

## 10/100/1000 BASE-T MAGNETICS MODULES

### MODEL NO.: TG24010S1 (Bottom open)

#### FEATURE:

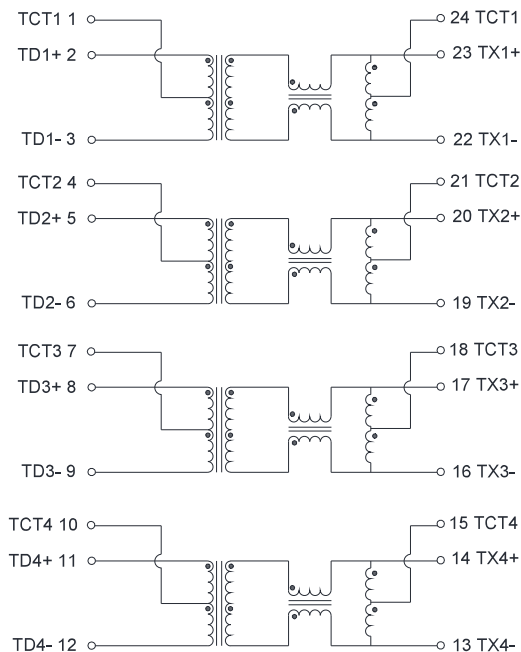
Complying with ROHS & Halogen Free requirements  
Designed to meet IR requirement  
Complying with IEEE 802.3ab standard for 1000 BASE-T.  
Operating Temperature. : -40°C ~ +85°C

#### SPECIFICATIONS: @ 25°C

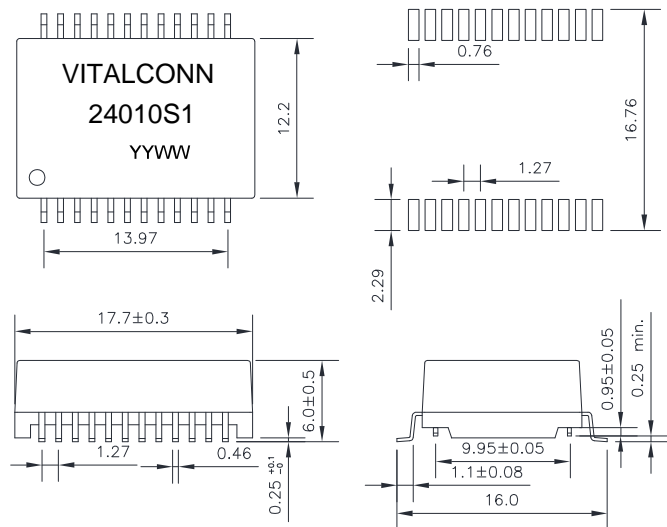
OCL : 350 uH Min @100kHz , 100mV with 8mA DC Bias

Insertion Loss MHz (dB MAX)	Return Loss MHz (dB MIN @100Ω)				Differential to Common Mode Rejection MHz (dB MIN)			Cross talk MHz (dB MIN)			Hi pot Vrms (10mA/60sec)
	1~100	1~40	50	60~80	100	30	60	100	30	60	
-1.0	-18	-16	-12	-10	-43	-37	-33	-45	-40	-35	1500

#### SCHEMATICS:



#### DIMENSION : mm ; TOLERANCE:±0.25



The coplanarity of the terminals is 0.1 mm max