

1000 BASE-T Magnetics Modules with PoE Option

MODEL NO.: TG24022S1(Bottom open)

FEATURE:

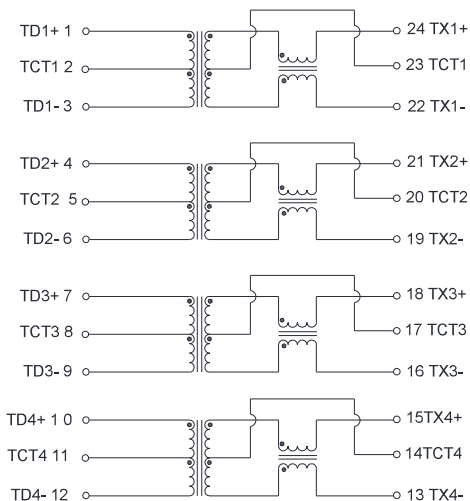
- RoHS Compliant
- RoHS peak soldering rating: 260°C/ 3~5 Sec
- Designed to meet IR requirement
- Meet IEEE802.3af with 350 mA current capability.

SPECIFICATIONS: @ 25°C

- Operating temp. : -40°C TO +85°C
- Storage temp. : -55°C to + 125°C
- OCL: 350 uH @100KHz,100mV /8mA DC bias
- DCR:1.0Ω MAX
- Cw/w:20pF MAX

Insertion Loss MHz (dB MAX)	Return Loss MHz (dB Min @100Ω)			Differential to Common Mode Rejection MHz (dB MIN)			Cross talk MHz (dB MIN)			Isolation Voltage	
	1-40	60	80	100	1-30	60	80-100	1-40	60		100
1-100	-18	-15	-12	-10	-40.0	-40.0	-35.0	-40	-35	-30	1500Vrms
-1.0	-18	-15	-12	-10	-40.0	-40.0	-35.0	-40	-35	-30	

SCHEMATICS:



DIMENSION: mm ;TOLERANCE: ±0.25

