

1000 BASE-T MAGNETICS MODULES

MODEL NO.: TG24086S1

FEATURE:

RoHS Compliant

RoHS peak soldering rating: 260°C / 3~5 Sec.

Designed to meet IR requirement

Specifications @ 25°C

Operating temp. : 0°C to +80°C

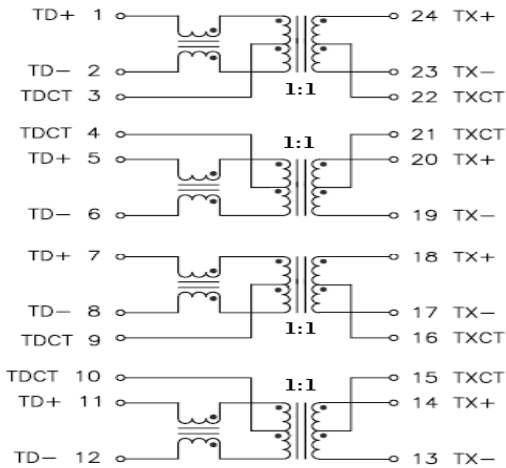
OCL : 350 uH Min @100kHz ,100mv

Hi pot (Vrms Min) : 1500

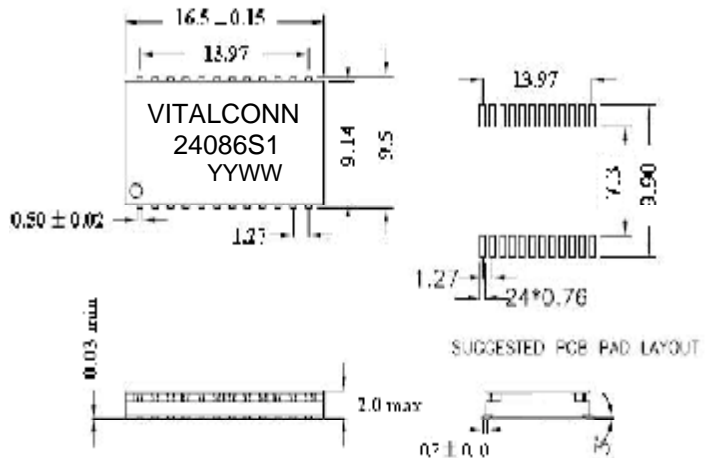
MSL=2

Part Number	Insertion Loss (dB MAX)	Return Loss (dB Min @100Ω)					Differential to Common Mode Rejection (dB MIN)	Cross talk (dB MIN)		
		1-30 MHz	40 MHz	50 MHz	60-80 MHz	1 ~ 100 MHz		30 MHz	60 MHz	100 MHz
IH-215	-1.0	-18	-16	-14	-10	-33	-45	-40	-35	

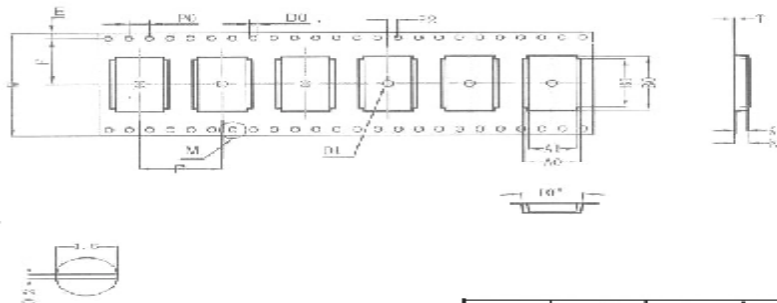
SCHEMATICS:



DIMENSION: mm TOLERANCE:±0.25



Packing :



ITEM	W	A ₁	A ₂	B ₁	B ₂	D ₁	D ₂	P ₁	P ₂	E
ITEM	1.27	1.27	1.27	9.30	2.12	16.50	2.12	1.50	2.12	1.25