

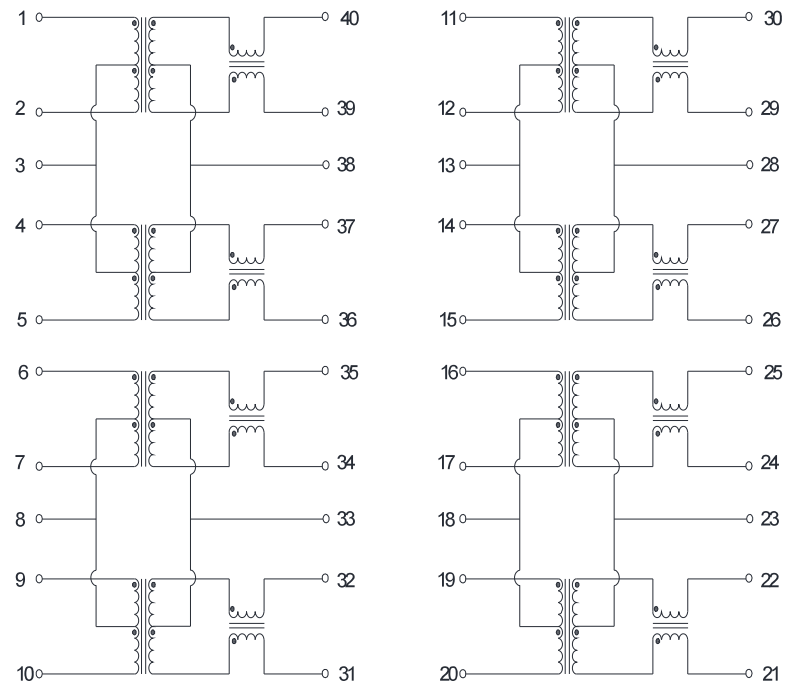
**10/100 BASE-TX TRANSFORMERS
FOR AUTO MDI/MDIX APPLICATIONS
MODEL NO.:TG40010S1 (Bottom open)**

FEATURE:
RoHS Compliant
RoHS peak solder rating 260°C/ 3~5 Sec
Designed to meet IR requirement

SPECIFICATIONS: at 25°C
Operating Temperature: -40°C to + 85°C
OCL: 350 uH Min. with 8mA DC Bias

Turns Ratio	Insertion Loss MHz (dB MAX)	Return Loss MHz (dB MIN)				Cross talk MHz (dB MIN)				Differential to Common Mode Rejection MHz(dB MIN)		HI POT (VAC)
		2~30	40	50	60~80	1	30	60	100	1~60	60~200	
1 : 1	0.1~100	-18	-14.4	-13.1	-12	-55	-45	-40	-33	-37	-25	1500
	-1.0											

SCHEMATIC:



MODEL NO.:TG40010S1
DIMENSION: mm ; TOLERANCE:±0.25

