

1000BASE-T DUAL-PORT MAGNETICS MODULE

MODEL NO.: TG50010S1

FEATURE:

RoHS Compliant
RoHS peak solder rating 260°C/3~5 sec
Designed to meet IR requirement

SPECIFICATIONS:@ 25°C

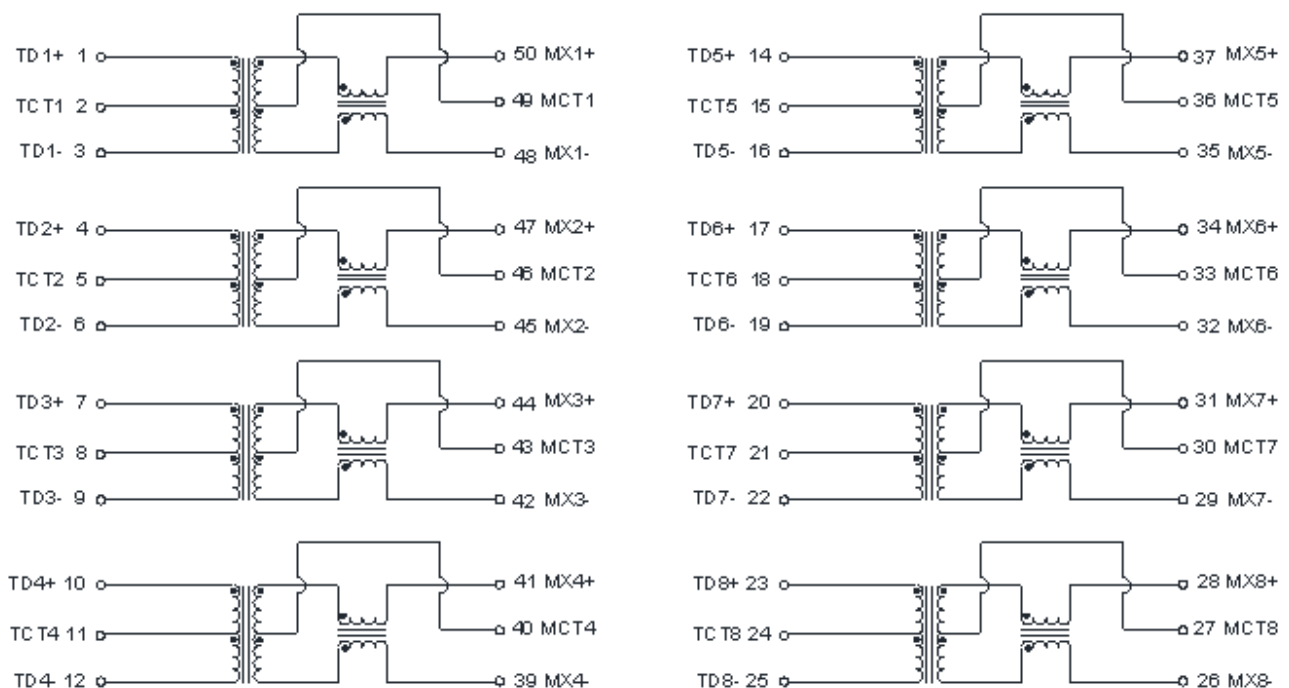
OPERATION TEMP : 0°C ~ + 70°C

OCL: 350uH MIN @100KHz 100mV 8mA VDC

Cw/w:30pF MAX

Insertion Loss MHz (dB MAX)	Return Loss MHz (dB MIN)					Cross talk MHz (dB MIN)			DCMR MHz (dB MIN)			DCR (Ω typ.)	HI POT (Vrms MIN)
	1~30	40	50	60~80	100	1~30	60	100	30	60	100		
-1.0	-18	-16	-16	-11	-10	-40	-33	-28	-40	-35	-30	1.2	1500

SCHEMATIC:





a vital connector company



DATE: 2019/10/14 (REV:A4)

MODEL NO.: TG50010S1

DIMENSION: mm ; TOLERANCE: ±0.25

