



TGBR10V150

Advance

DIODE

TRENCH MOS SCHOTTKY BARRIER RECTIFIER

■ DESCRIPTION

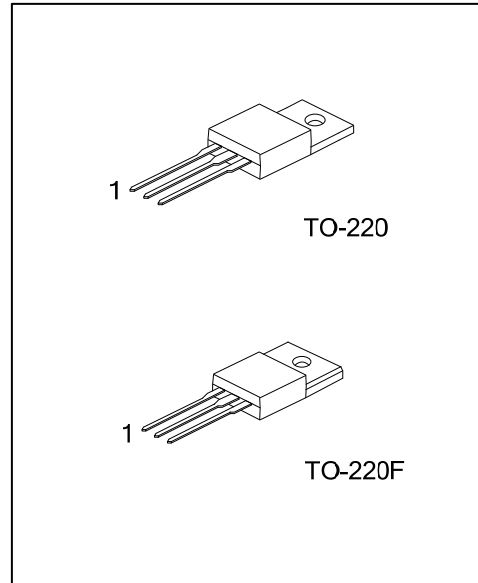
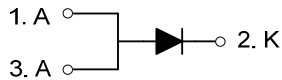
The UTC **TGBR10V150** is a trench mos schottky barrier rectifier, it uses UTC's advanced technology to provide customers with low forward voltage drop and high current capability, etc.

The UTC **TGBR10V150** suitable for free wheeling, high frequency inverters, polarity protection, and low voltage.

■ FEATURES

- * Very low forward voltage drop
- * High current capability
- * High surge capability
- * High efficiency

■ SYMBOL



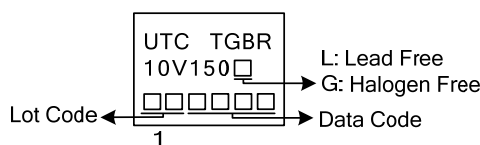
■ ORDERING INFORMATION

Ordering Number		Package	Pin Assignment			Packing
Lead Free	Halogen Free		1	2	3	
TGBR10V150L-TA3-T	TGBR10V150G-TA3-T	TO-220	A	K	A	Tube
TGBR10V150L-TF3-T	TGBR10V150G-TF3-T	TO-220F	A	K	A	Tube

Note: Pin Assignment: A: Anode K: Cathode

<p>TGBR10V150L-TA3-T</p>	<p>(1) T: Tube</p> <p>(2) TA3: TO-220, TF3: TO-220F</p> <p>(3) L: Lead Free, G: Halogen Free and Lead Free</p>
--------------------------	--

■ MARKING



■ ABSOLUTE MAXIMUM RATINGS ($T_A=25^\circ\text{C}$ unless otherwise specified)

Single phase, half wave, 60Hz, resistive or inductive load.

For capacitance load, derate current by 20%.

PARAMETER	SYMBOL	RATINGS	UNIT
DC Blocking Voltage (Note 1)	V_{RM}	150	V
Working Peak Reverse Voltage	V_{RWM}	150	V
Peak Repetitive Reverse Voltage	V_{RRM}	150	V
RMS Reverse Voltage	$V_{R(RMS)}$	35	V
Average Rectified Output Current	I_O	10	A
$T_C=125^\circ\text{C}$			
Non-Repetitive Peak Forward Surge Current 8.3ms Single Half Sine-Wave Superimposed on Rated Load	I_{FSM}	150	A
Operating Junction Temperature	T_J	-65~+150	$^\circ\text{C}$
Storage Temperature	T_{STG}	-65~+150	$^\circ\text{C}$

Note: Absolute maximum ratings are those values beyond which the device could be permanently damaged. Absolute maximum ratings are stress ratings only and functional device operation is not implied.

■ THERMAL CHARACTERISTICS (PER LEG)

PARAMETER	SYMBOL	RATINGS	UNIT
Junction to Ambient	θ_{JA}	62.5	$^\circ\text{C/W}$
Junction to Case	TO-220	2	$^\circ\text{C/W}$
	TO-220F	3.31	

■ ELECTRICAL CHARACTERISTICS ($T_A=25^\circ\text{C}$ unless otherwise specified.)

PARAMETER	SYMBOL	TEST CONDITIONS	MIN	TYP	MAX	UNIT
Reverse Breakdown Voltage (Note 1)	$V_{(BR)R}$	$I_R=0.50\text{mA}$	150			V
Forward Voltage Drop	V_{FM}	$I_F=10\text{A}, T_C=25^\circ\text{C}$			0.85	V
		$I_F=10\text{A}, T_C=125^\circ\text{C}$			0.75	V
Peak Reverse Current at Rated DC Blocking Voltage (Note 1)	I_{RM}	$V_R=150\text{V}, T_C=25^\circ\text{C}$			200	μA
		$V_R=150\text{V}, T_C=125^\circ\text{C}$			50	mA

Notes: 1. Short duration pulse test used to minimize self-heating effect.

2. Thermal resistance junction to case mounted on heatsink.

3. Mounted on an FR4 PCB, single-sided copper, with 150cm^2 copper pad area.

UTC assumes no responsibility for equipment failures that result from using products at values that exceed, even momentarily, rated values (such as maximum ratings, operating condition ranges, or other parameters) listed in products specifications of any and all UTC products described or contained herein. UTC products are not designed for use in life support appliances, devices or systems where malfunction of these products can be reasonably expected to result in personal injury. Reproduction in whole or in part is prohibited without the prior written consent of the copyright owner. The information presented in this document does not form part of any quotation or contract, is believed to be accurate and reliable and may be changed without notice.