



TGBR20V45C

DIODE

DUAL TRENCH MOS SCHOTTKY BARRIER RECTIFIER

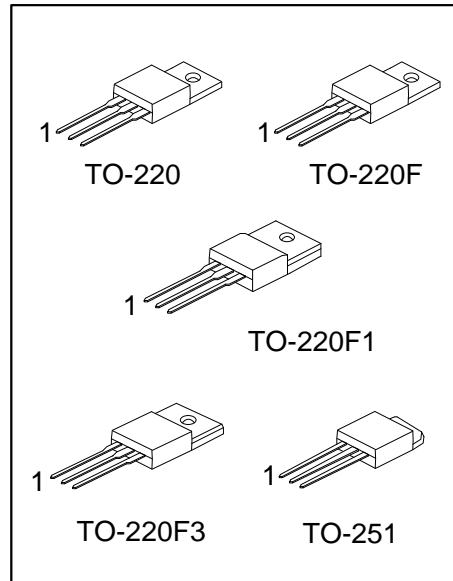
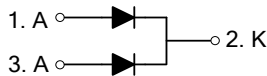
DESCRIPTION

The UTC **TGBR20V45C** is a dual trench mos schottky barrier rectifier, it uses UTC's advanced technology to provide customers with high current capability, low forward voltage and high switching speed, etc.

FEATURES

- * Very low forward voltage
- * High switching speed
- * High current capability

SYMBOL



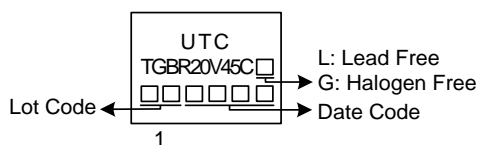
ORDERING INFORMATION

Ordering Number		Package	Pin Assignment			Packing
Lead Free	Halogen Free		1	2	3	
TGBR20V45CL-TA3-T	TGBR20V45CG-TA3-T	TO-220	A	K	A	Tube
TGBR20V45CL-TF3-T	TGBR20V45CG-TF3-T	TO-220F	A	K	A	Tube
TGBR20V45CL-TF1-T	TGBR20V45CG-TF1-T	TO-220F1	A	K	A	Tube
TGBR20V45CL-TF3T-T	TGBR20V45CG-TF3T-T	TO-220F3	A	K	A	Tube
TGBR20V45CL-TM3-T	TGBR20V45CG-TM3-T	TO-251	A	K	A	Tube

Note: Pin Assignment: A: Anode K: Cathode

<p>TGBR20V45CG-TA3-T</p> <p>(1)Packing Type (2)Package Type (3)Green Package</p>	<p>(1) T: Tube (2) TA3: TO-220, TF1: TO-220F1, TF3: TO-220F TF3T: TO-220F3, TM3: TO-251 (3) G: Halogen Free and Lead Free, L: Lead Free</p>
--	---

MARKING



■ **ABSOLUTE MAXIMUM RATINGS** ($T_A=25^{\circ}\text{C}$ unless otherwise specified)

Single phase, half wave, 60Hz, resistive or inductive load.

For capacitance load, derate current by 20%.

PARAMETER		SYMBOL	RATINGS	UNIT
DC Blocking Voltage		V_{RM}	45	V
Working Peak Reverse Voltage		V_{RWM}	45	V
Peak Repetitive Reverse Voltage		V_{RRM}	45	V
Average Rectified Forward Current (Rated VR-20KHz Square Wave) – 50% duty cycle	Per Leg	I_o	10	A
	Total		20	A
Peak Forward Surge Current - 1/2 60Hz		I_{FSM}	150	A
Operating Junction Temperature		T_J	-65 ~ +150	$^{\circ}\text{C}$
Storage Temperature		T_{STG}	-65 ~ +150	$^{\circ}\text{C}$

Note: Absolute maximum ratings are those values beyond which the device could be permanently damaged.
Absolute maximum ratings are stress ratings only and functional device operation is not implied.

■ **THERMAL CHARACTERISTICS (PER LEG)**

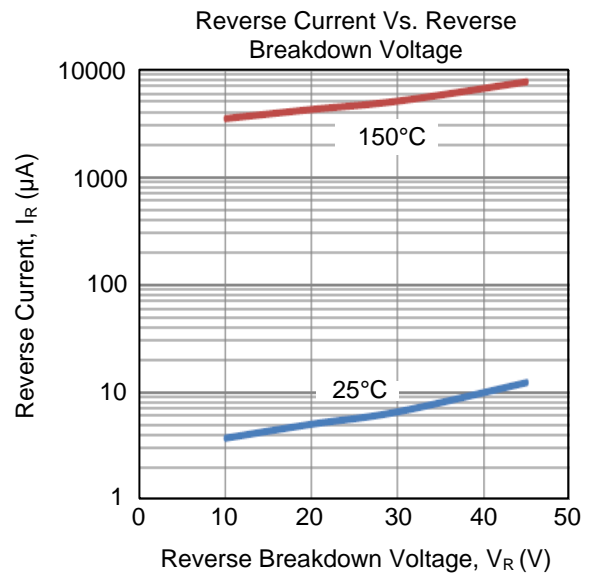
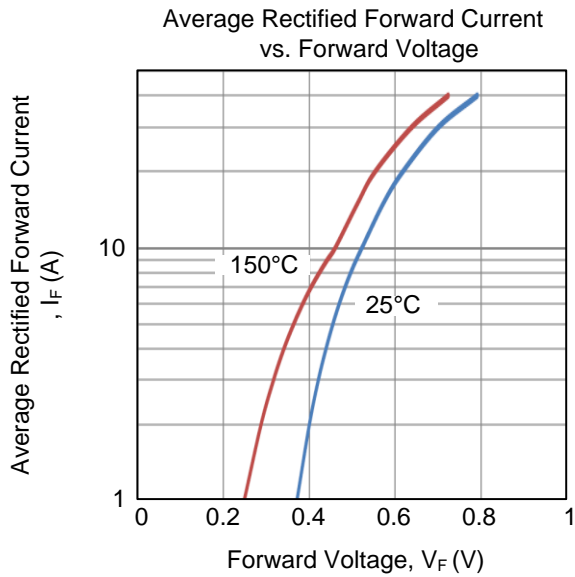
PARAMETER		SYMBOL	RATINGS	UNIT
Typical Thermal Resistance	TO-220	θ_{JC}	2	$^{\circ}\text{C/W}$
	TO-220F		4	$^{\circ}\text{C/W}$
	TO-220F1			
	TO-220F3			
TO-251	6	$^{\circ}\text{C/W}$		

■ **ELECTRICAL CHARACTERISTICS (PER LEG)** ($T_A=25^{\circ}\text{C}$ unless otherwise specified.)

PARAMETER	SYMBOL	TEST CONDITIONS	MIN	TYP	MAX	UNIT
Reverse Breakdown Voltage	$V_{(BR)R}$	$I_R=0.45\text{mA}$	45			V
Forward Voltage Drop	V_{FM}	$I_F=10\text{A}, T_J=25^{\circ}\text{C}$			0.57	V
		$I_F=10\text{A}, T_J=150^{\circ}\text{C}$			0.52	V
Leakage Current	I_{RM}	$V_R=45\text{V}, T_J=25^{\circ}\text{C}$			500	μA
		$V_R=45\text{V}, T_J=150^{\circ}\text{C}$			100	mA

Note: Pulse Test: Pulse width $\leq 300\mu\text{s}$, Duty cycle $\leq 2\%$.

■ TYPICAL CHARACTERISTICS



UTC assumes no responsibility for equipment failures that result from using products at values that exceed, even momentarily, rated values (such as maximum ratings, operating condition ranges, or other parameters) listed in products specifications of any and all UTC products described or contained herein. UTC products are not designed for use in life support appliances, devices or systems where malfunction of these products can be reasonably expected to result in personal injury. Reproduction in whole or in part is prohibited without the prior written consent of the copyright owner. UTC reserves the right to make changes to information published in this document, including without limitation specifications and product descriptions, at any time and without notice. This document supersedes and replaces all information supplied prior to the publication hereof.