

**TGM-20-2004**

www.teledynemicrowave.com

# Module Amplifier

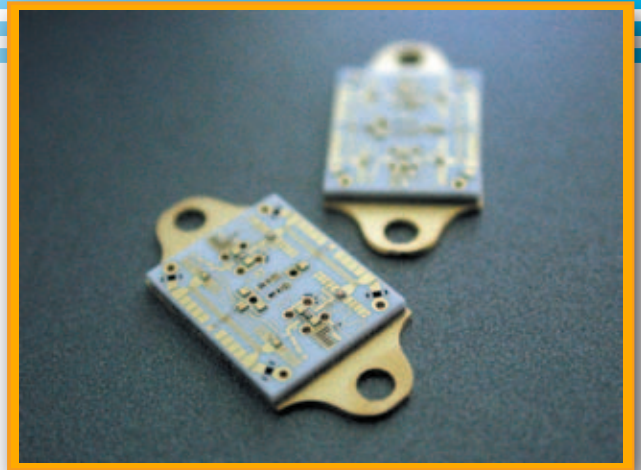
## 2 GHz - 20 GHz

This Module Amplifier offers exceptional performance over the band 2 GHz to 20 GHz with 20 dBm P1dB output power and 14 dB Gain.

Teledyne Microwave amplifiers are balanced or feedback designs and manufactured with the latest MIC & MMIC technology. The GaAs FET's used in these amplifiers are well established proven devices from multiple sources.

Teledyne Microwave offers a complete line of Narrow and broadband Amplifiers covering the frequency range 500 MHz to 40 GHz. These products are available in either connectorized packages or as modules. For a complete list of these products and more, please visit our website.

Other products from Teledyne Microwave include: Transceivers, Synthesizers, and YIG Products



---

### Specifications:

Model Number: TGM-20-2004  
Frequency Range: 2 GHz – 20 GHz  
Gain (min): 14 dB  
Gain Vs Temp Coefficient per 1 deg C: -0.024 dB  
Noise Figure (max): 7.5 dB  
Output Power @ 1dB Compression: 20 dBm  
Gain Flatness Vs Frequency: +/-1.5 dB  
3<sup>rd</sup> Order Intercept (Typ): Contact Factory  
Power Supply:  
    Input Voltage: 11.5 to 15 VDC  
    Current @ 12 VDC (typ): 350 mA  
    Current @ 12 VDC (max): Contact Factory  
Case Type (See attached Outline): 1248NP  
Temperature Range: +25C



**ISO 9001:2000**

1274 Terra Bella Avenue, Mountain View, CA 94043 • PHN# 800.832.6869 or +1.650.962.6944 • FAX# 650.962.6845  
www.teledynemicrowave.com • microwave@teledyne.com

[www.DataSheet4U.com](http://www.DataSheet4U.com)

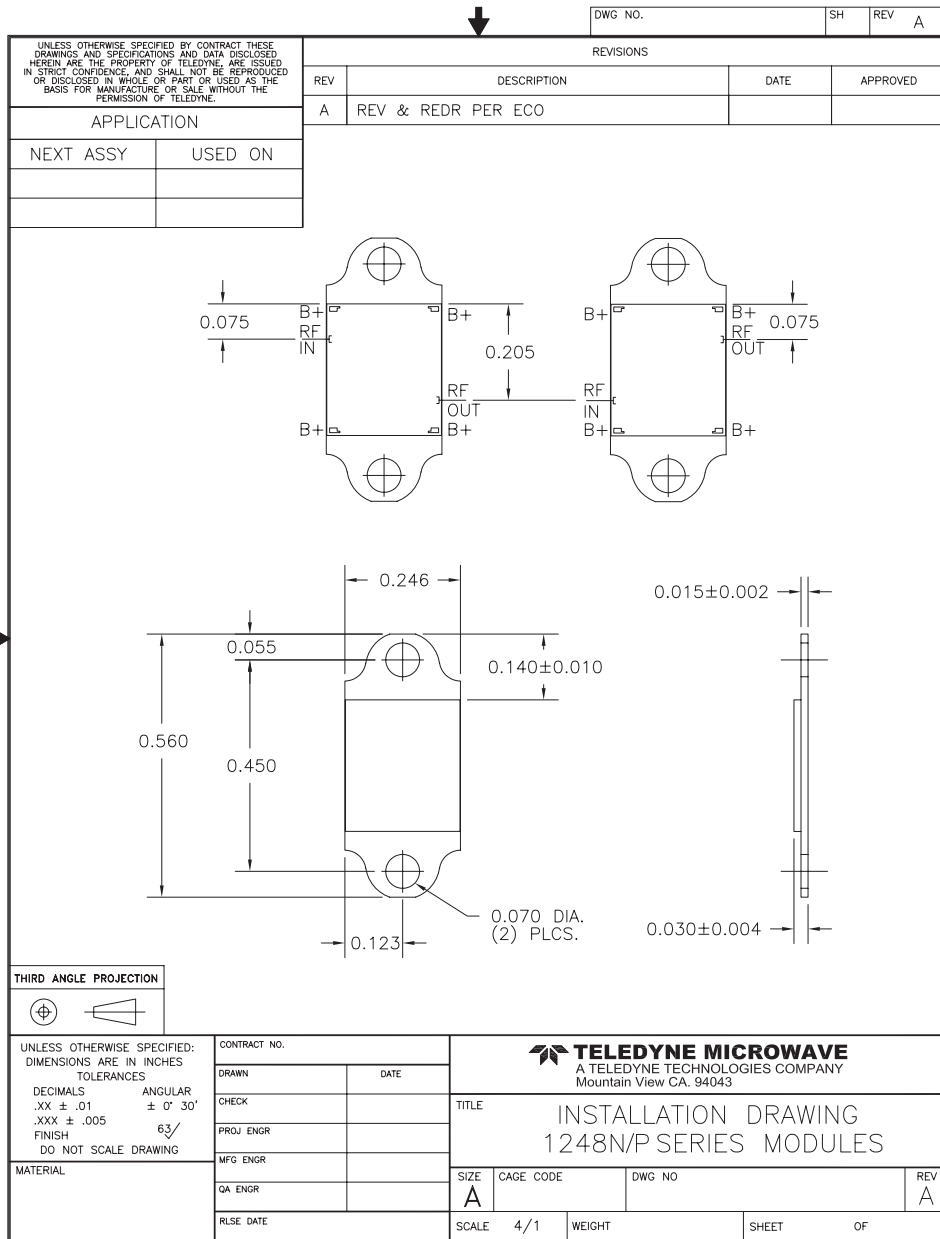
All Specifications are subject to change. Please contact Teledyne Microwave for the latest information on this product

08/05

TGM-20-2004

# Module Amplifier

## 2 GHz - 20 GHz



THIRD ANGLE PROJECTION

UNLESS OTHERWISE SPECIFIED: DIMENSIONS ARE IN INCHES TOLERANCES		CONTRACT NO.		<b>TELEDYNE MICROWAVE</b> A TELEDYNE TECHNOLOGIES COMPANY Mountain View CA. 94043			
DECIMALS .XX ± .01	ANGULAR ± 0' 30"	DRAWN	DATE				TITLE <b>INSTALLATION DRAWING</b> <b>1248N/P SERIES MODULES</b>
.XXX ± .005	FINISH 63/	CHECK		SIZE	CAGE CODE	DWG NO	
DO NOT SCALE DRAWING		PROJ ENGR		A		A	
MATERIAL		MFG ENGR		SCALE	4/1	WEIGHT	
		QA ENGR		SHEET	OF	REV	
		RLSE DATE					A



ISO 9001:2000

1274 Terra Bella Avenue, Mountain View, CA 94043 • PHN# 800.832.6869 or +1.650.962.6944 • FAX# 650.962.6845  
 www.teledynemicrowave.com • microwave@teledyne.com

www.DataSheet4U.com

All Specifications are subject to change. Please contact Teledyne Microwave for the latest information on this product

08/05