

## 10/100 PC CARD LAN MAGNETICS SOLUTIONS

MODEL NO.: TH12041S1

**FEATURE:**

RoHS Compliant

RoHS peak solder rating 260°C / 3~5 Sec

Designed to meet IR requirement

Operating temp. : -40°C to +85°C

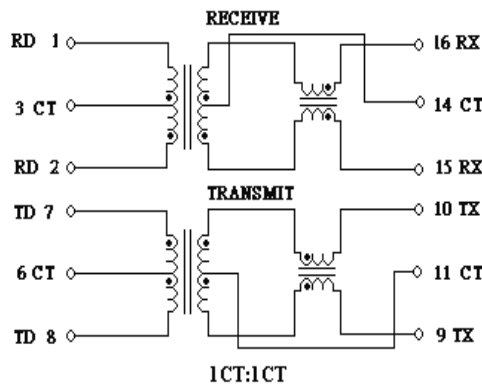
Specifications @ 25°C

OCL : 350 uH Min @100kHz ,100mv / 8mA

Cw/w : 25 pF Max.

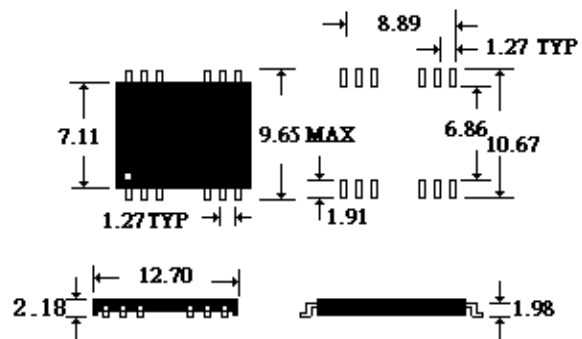
Part Number	Transformer Turns ratio (±5%)		Insertion Loss 100KHz-125MHz (dB MAX)	Return loss (dB MIN)				Cross talk (dB MAX)			Common Mode Rejection (dB MAX) 100kHz~100MHz	Hi pot
	Transmit	Receive		1-30MHz	40MHz	50MHz	60-80MHz	30MHz	62MHz	100MHz		
HD-046	1:1	1:1	-1.0	-18	-14	-13	-11	-50	-45	-40	-40	1500

**SCHEMATICS:**



**DIMENSIONS: mm**

TOLERANCE:±0.25



**Packing :**

