

## 10/100 BASE-T SMT TRANSFORMERS

### MODEL NO : TH16010S1(Bottom open)

#### FEATURE:

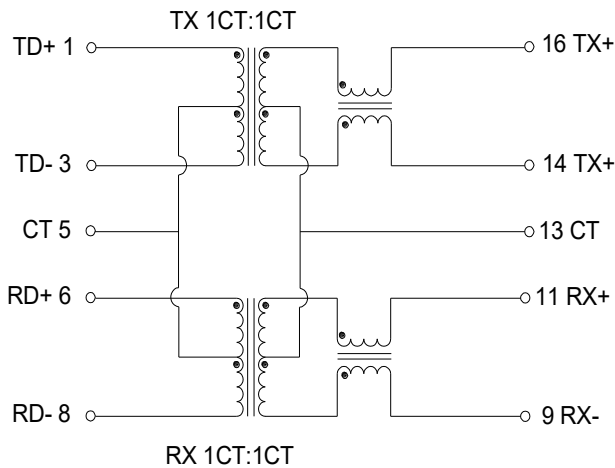
RoHS Compliant  
 RoHS peak solder rating 260°C / 3~5 Sec  
 Designed to meet IR requirement  
 Operating Temperature. : -40°C TO +85°C

#### SPECIFICATIONS: @ 25°C

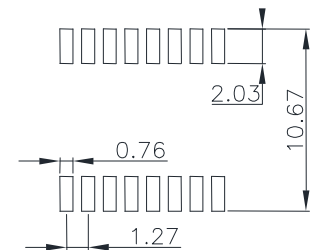
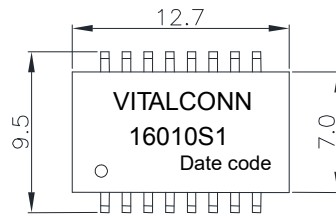
OCL : 350 uH Min @100kHz ,100mV / 8mA

Turns Ratio ( ±5% )		Insertion Loss MHz ( dB MAX )	Return Loss MHz ( dB MIN )		Common Mode Rejection MHz ( dB MIN )		Cross Talk MHz ( dB MIN )		HIPOT (VAC)
TX	RX	0.1~125	1~60	60~100	1~60	60~100	1~60	60~100	
1CT:1CT	1CT:1CT	-1.1	-16 ~ -14	-14 ~ -10	-35	-30	-40	-38	

#### SCHEMATICS:



#### DIMENSION: mm ; TOLERANCE:±0.25



SUGGESTED PAD LAYOUT

