

10/100 BASE-T SMT TRANSFORMERS

MODEL NO. : TH16040S1

FEATURES:

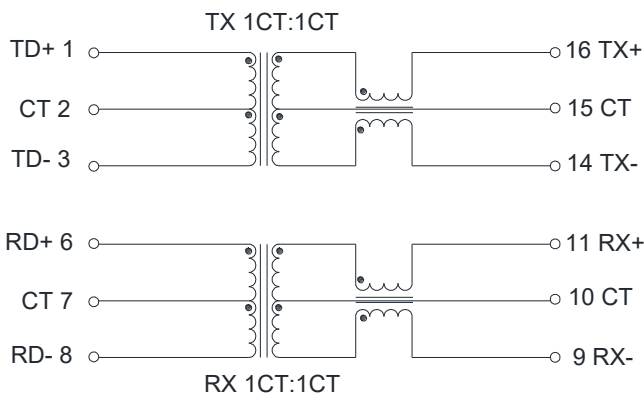
- RoHS Compliant
- RoHS peak solder rating 260°C/ 3~5 Sec.
- Designed to meet IR requirement
- Operating Temperature. : -40°C ~ +85°C

SPECIFICATIONS : @ 25°C

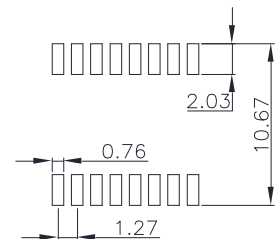
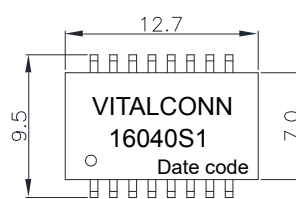
OCL : 350 uH Min @100kHz , 100mv / with 8mA DC Bias

Turns Ratio (±5%)		Insertion Loss MHz (dB MAX)	Return Loss MHz (dB MIN)			Common Mode Rejection MHz (dB MIN .)			Cross Talk MHz (dB MIN)		HIPOT (VAC)
TX	RX	0.1~125	1~60	60~100	30	50	100	1~60	60~100	3000	
1CT:1CT	1CT:1CT	-1.1	-16 ~ -14	-14 ~ -10	-42	-37	-33	-40	-38		

SCHEMATICS:



DIMENSION: mm; TOLERANCE: ±0.25



SUGGESTED PAD LAYOUT

