

## 10/100 PC CARD LAN MAGNETICS SOLUTIONS

### MODEL NO.: TH16070S1

#### FEATURE:

RoHS Compliant

Designed to meet IR requirement

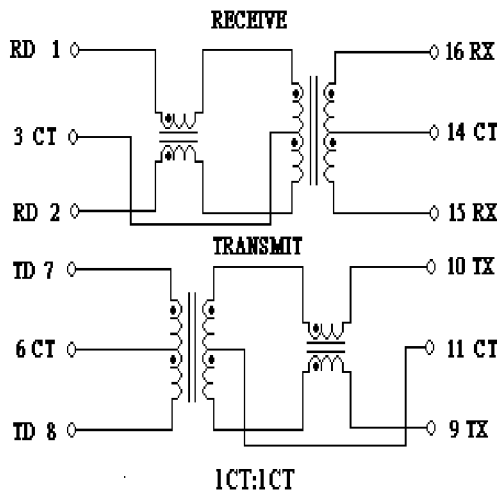
Operating temp. : -40°C to +85°C

Specifications @ 25°C

OCL : 350 uH Min @100kHz ,100mv / 8mA

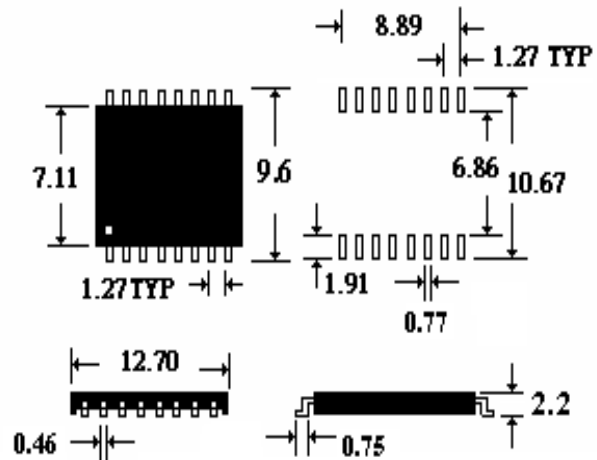
Part Number	Transformer Turns ratio (±5%)		Insertion Loss 100KHz-100MHz (dB MAX)	Return loss (dB MIN)				Cross talk (dB MIN)			Common Mode Rejection (dB MIN) 100kHz-100MHz	Hi pot
	Transmit	Receive		1-30MHz	40MHz	50MHz	60-80MHz	30MHz	62MHz	100MHz		
HD-024	1:1	1:1	-0.9	-18	-15.5	-13.5	-12.0	-50	-45	-40	-40	1500

#### SCHEMATICS:



#### DIMENSIONS: mm

TOLERANCE:±0.25



#### Packing :

