

10/100 PC CARD LAN MAGNETICS SOLUTIONS

MODEL NO.: TH16081S

FEATURE:

- RoHS Compliant
- RoHS peak solder rating 260°C/ 3~5 Sec
- Designed to meet IR requirement
- Operating temp. : 0°C to +70°C

SPECIFICATIONS: @ 25°C

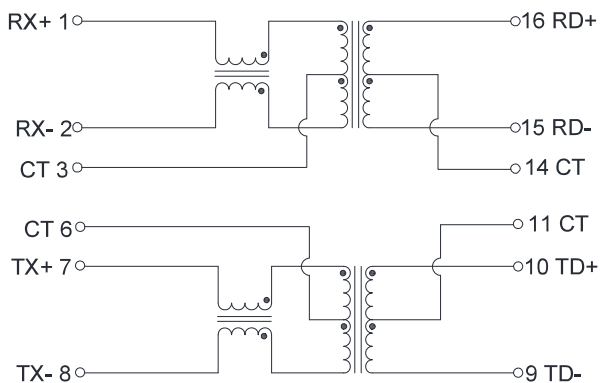
OCL : 350 uH Min @100kHz ,100mV

DCR(1-2)&(7-8):1.6Ω max.

DCR(9-10)&(15-16):1.0Ω max.

Transformer Turns ratio (±5%)		Insertion Loss MHz (dB MIN)	Return Loss MHz (dB MAX)				Cross Talk MHz (dB MAX)			Common Mode Rejection MHz(dB MAX)	HI POT (VAC)
TX	RX		1~30	40	50	60~80	30	60	100		
1:1	1:1	-1.0	-18	-15	-13	-12	-50	-45	-40	-40	1500

SCHEMATICS:



DIMENSIONS: mm;TOLERANCE:±0.25

