

10 BASE-T SMT TRANSFORMERS

MODEL NO. : TH16091S1

FEATURES:

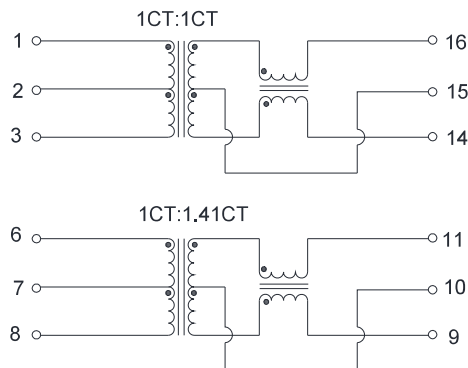
- RoHS Compliant
- Designed to meet IR requirement
- Operating temperature : -20°C ~ +80°C
- Storage Temperature : -40°C ~ +85°C

SPECIFICATION : @ 25°C

OCL : 130 uH Min @100kHz ,100mv

Turn Ratio(±5%)	Primary Pins	Primary OCL (uH MIN)	Leakage inductance (uH MAX)	Cw/w (pF Max)	Primary DCR (Ω Max)	HIPOT (VAC)
1CT:1CT & 1CT:1.41CT	(1~3) & (6~8)	130	0.35	12	0.5	2000/5mA/1s

SCHEMATICS:



DIMENSION: mm ;TOLERANCE: ±0.25

