

10/100 BASE-T MODULES
MODEL NO: TH24010S1 (Bottom Open)

FEATURE:

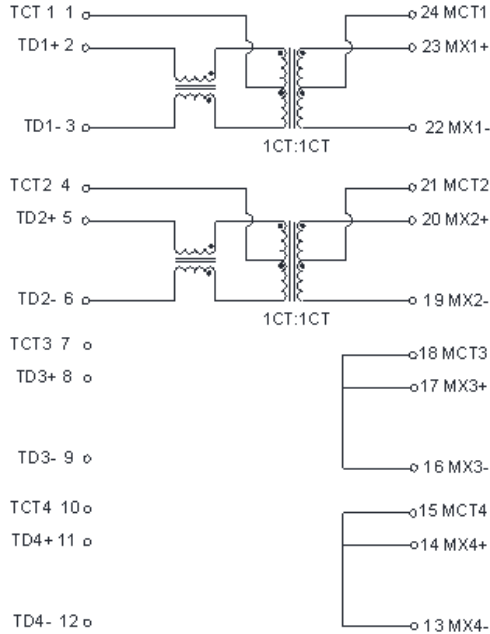
RoHS Compliant
Designed to meet IR requirement
Operating Temperature. : -40°C ~ +85°C

SPECIFICATIONS: @ 25°C

OCL : 350 uH Min. @100KHz 100 mV / with 8 mA DC Bias

Insertion Loss MHz (dB MAX)	Cross Talk MHz (dB MIN)			Return Loss MHz (dB MIN)				Common Mode Rejection MHz (dB MIN)			HI POT (VAC)
	1~100	30	60	100	1~30	40	50	60~80	30	60	
-1.0	-45	-40	-35	-16	-14	-13	-12	-43	-37	-33	1500

SCHEMATICS:



DIMENSION: mm ; TOLERANCE: ±0.25

