

10/100 BASE-T MODULES

MODEL NO.: TH24020S1

FEATURE:

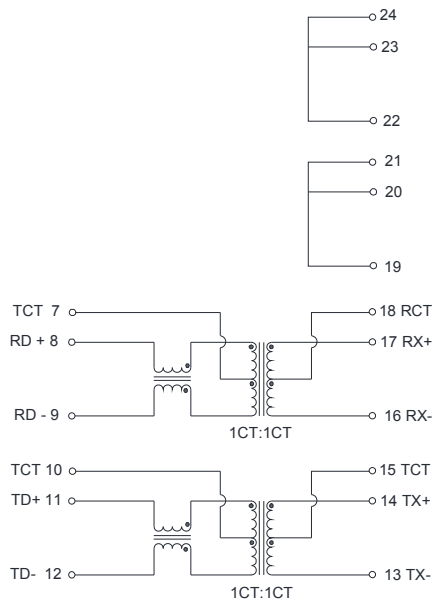
- RoHS Compliant
- RoHS peak solder rating 260°C / 3~5 Sec
- Designed to meet IR requirement
- Operating Temperature. : -40°C TO +85°C

SPECIFICATIONS: @ 25°C

OCL : 350 uH Min @100kHz , 100mv with 8mA DC Bias

Insertion Loss MHz (dB MAX)	Return Loss MHz (dB Min @100Ω)					Differential to Common Mode Rejection MHz (dB MIN)			Cross Talk MHz (dB MIN)		HI-POT (VAC)
	1~30	40	50	60	80	1~30	60	100	0.3~60	60~100	
-1.15	-16	-14	-13.5	-13	-12	-40	-30	-25	-45	-35	1500

SCHEMATICS:



DIMENSION: mm ; TOLERANCE: ±0.25

