

Silver panel



Black panel

mm inch

Features

1. Driven on DC power

The hour meters can be built in DC-powered control panels. Machine tools and similar machinery are monitored from the control panel for added safety.

2. High-performance compact sync motor with ultra-accurate quartz oscillator

The quartz oscillator helps keep the monthly error shorter than 15 seconds (for 720 hours). The accurately turning motor is employed to provide for longer period of measurement.

3. Dimensions as per DIN 43700 standard

The units are in the 48 × 48 DIN standard size. They can be fitted in panels and give refined metallic appearance.

4. Rotary indicator

The rotary indicator makes one turn every 2 minutes for monitoring.

RoHS Directive compatibility information
<http://www.nais-e.com/>

Specifications

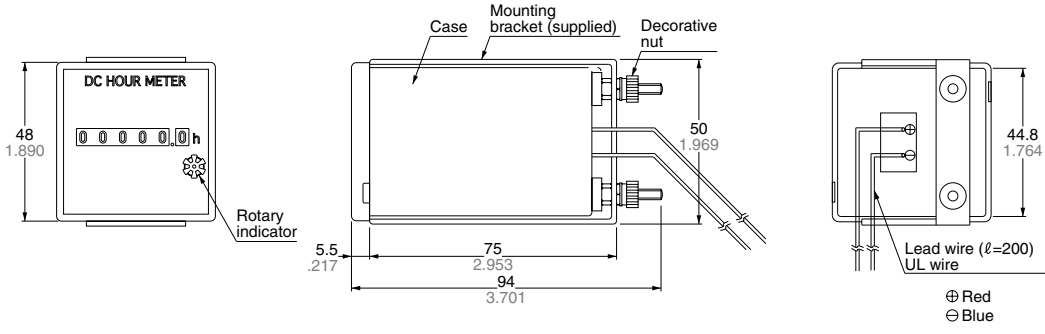
Rated operating voltage	12 V DC, 24 V DC	
Allowable operating voltage range	80 to 120% of rated operating voltage	
Counting range	0 to 9999.9 hours	
Minimum time display	0.1 hours (6 min)	
Rated power consumption	Approx. 1.5 W	
Insulation resistance (Initial value)	Min. 100 MΩ Between live and dead metal parts (At 500 V DC)	
Breakdown voltage (Initial value)	2,000 Vrms Between live and dead metal parts	
Max. temperature rise	55°C 131°F	
Vibration resistance	Functional	10 to 55 Hz: 1 cycle/min double amplitude of 0.5 mm (10 min on 3 axes)
Shock resistance	Functional	Min 98 m/s ² {10 G} (4 times on 3 axes)
	Destructive	Min 980 m/s ² {100 G} (5 times on 3 axes)
Ambient temperature	-10 to +50°C +14 to +122°F	
Ambient humidity	Max. 85% RH (non-condensing)	
Power supply ripple	Approx. 48% or less (single phase all-wave rectification)	
Weight	170 g 6.00 oz	

Product types

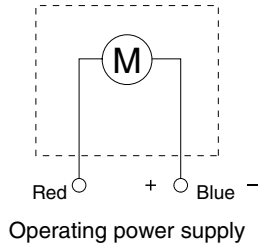
Type	Operating voltage	Part number	
		Silver panel	Black panel
TH70 series	12V DC	TH703S	TH703
	24V DC	TH704S	TH704

Dimensions

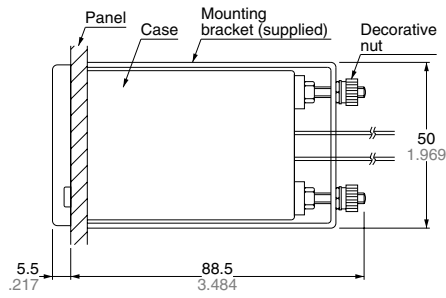
mm inch
General tolerance: $\pm 1.0 \pm .039$



Wiring diagram



Panel mounting



mm inch

• Panel cutout dimensions

