

THC63LVD103

135MHz 30Bits COLOR LVDS Transmitter

General Description

The THC63LVD103 transmitter is designed to support pixel data transmission between Host and Flat Panel Display from NTSC up to SXGA+ resolutions.

The THC63LVD103 converts 35bits of CMOS/TTL data into LVDS(Low Voltage Differential Signaling) data stream. The transmitter can be programmed for rising edge or falling edge clocks through a dedicated pin. At a transmit clock frequency of 135MHz, 30bits of RGB data and 5bits of timing and control data (HSYNC, VSYNC, DE, CNTL1, CNTL2) are transmitted at an effective rate of 945Mbps per LVDS channel.

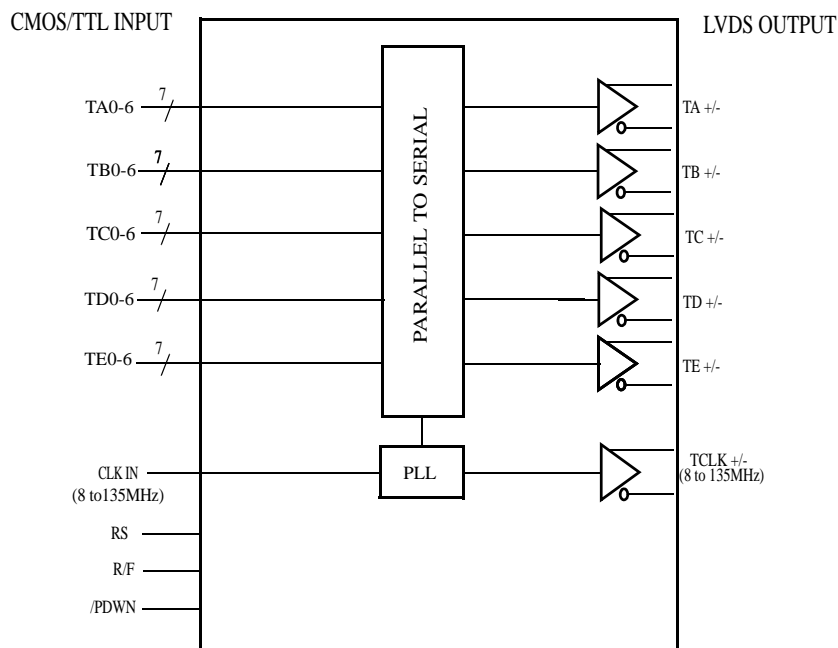
Features

- Wide dot clock range: 8-135MHz suited for NTSC, VGA, SVGA, XGA, SXGA and SXGA+
- PLL requires no external components
- Supports spread spectrum clock generator
- On chip jitter filtering
- Clock edge selectable
- Supports reduced swing LVDS for low EMI
- Power down mode
- Low power single 3.3V CMOS design
- 64pin TQFP
- Backward compatible with THC63LVDM63R(18bits) / M83R(24bits)

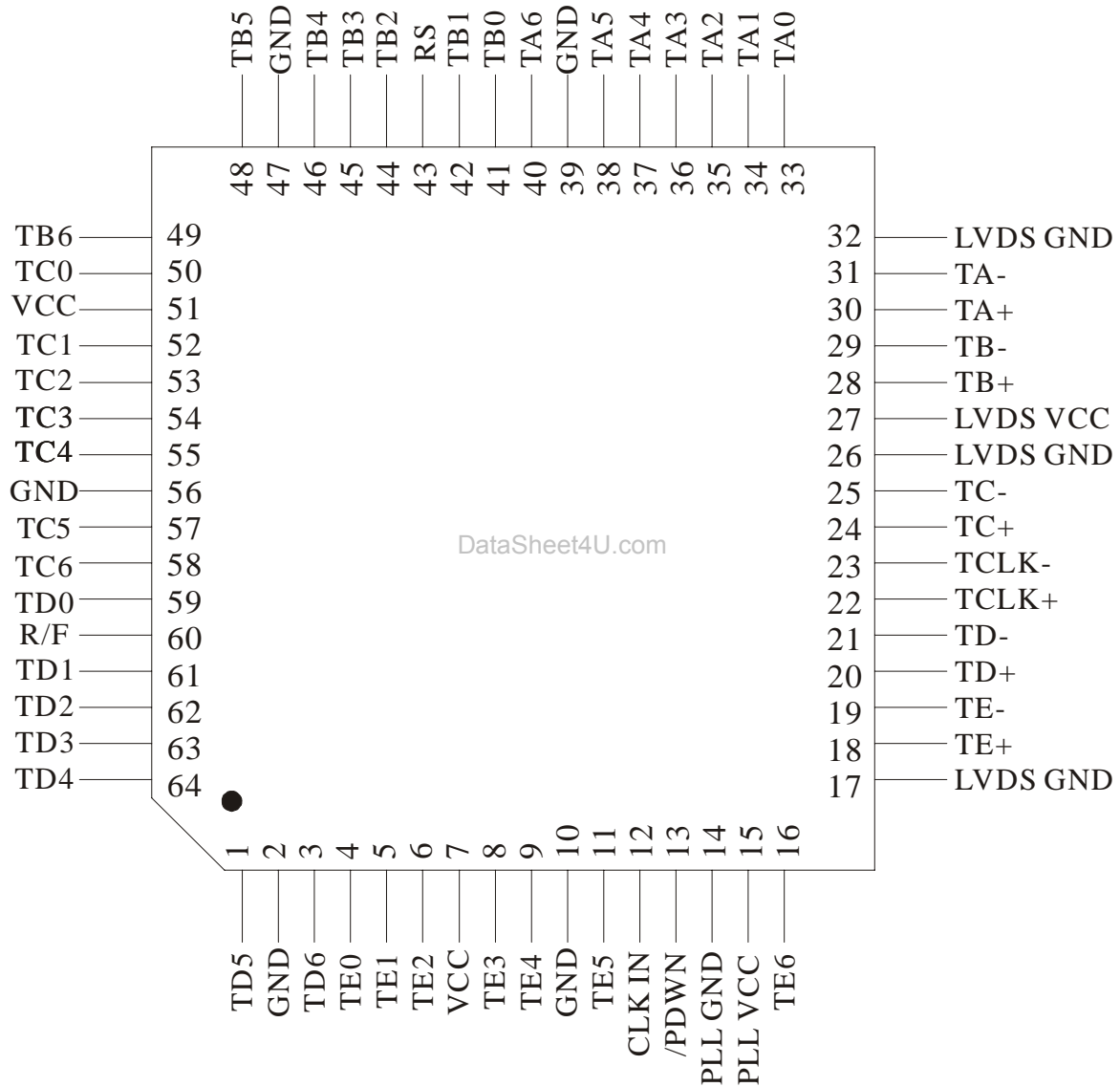
DataSheet4U.com

DataShee

Block Diagram



Pin Out



Pin Description

Pin Name	Pin #	Type	Description												
TA+, TA-	30, 31	LVDS OUT	LVDS Data Out.												
TB+, TB-	28, 29	LVDS OUT													
TC+, TC-	24, 25	LVDS OUT													
TD+, TD-	20, 21	LVDS OUT													
TE+, TE-	18, 19	LVDS OUT													
TCLK+, TCLK-	22, 23	LVDS OUT	LVDS Clock Out.												
TA0 ~ TA6	33,34,35,36,37,38,40	IN	Pixel Data Inputs.												
TB0 ~ TB6	41,42,44,45,46,48,49	IN													
TC0 ~ TC6	50,52,53,54,55,57,58	IN													
TD0 ~ TD6	59,61,62,63,64,1,3	IN													
TE0 ~ TE6	4,5,6,8,9,11,16	IN													
/PDWN	13	IN	H: Normal operation, L: Power down (all outputs are Hi-Z)												
RS	43	IN	LVDS swing mode, VREF select. <table border="1" data-bbox="954 891 1374 1070"> <thead> <tr> <th>RS</th> <th>LVDS Swing</th> <th>Small Swing Input Support</th> </tr> </thead> <tbody> <tr> <td>VCC</td> <td>350mV</td> <td>N/A</td> </tr> <tr> <td>0.6 ~ 1.4V</td> <td>350mV</td> <td>RS=VREF^a</td> </tr> <tr> <td>GND</td> <td>200mV</td> <td>N/A</td> </tr> </tbody> </table> a. VREF is Input Reference Voltage.	RS	LVDS Swing	Small Swing Input Support	VCC	350mV	N/A	0.6 ~ 1.4V	350mV	RS=VREF ^a	GND	200mV	N/A
RS	LVDS Swing	Small Swing Input Support													
VCC	350mV	N/A													
0.6 ~ 1.4V	350mV	RS=VREF ^a													
GND	200mV	N/A													
R/F	60	IN	Input Clock Triggering Edge Select. H: Rising edge, L: Falling edge												
VCC	51, 7	Power	Power Supply Pins for TTL inputs and digital circuitry.												
CLKIN	12	IN	Clock in.												
GND	2, 10, 39, 47, 56	Ground	Ground Pins for TTL inputs and digital circuitry.												
LVDS VCC	27	Power	Power Supply Pins for LVDS Outputs.												
LVDS GND	17, 26, 32	Ground	Ground Pins for LVDS Outputs.												
PLL VCC	15	Power	Power Supply Pin for PLL circuitry.												
PLL GND	14	Ground	Ground Pins for PLL circuitry.												

et4U.com

DataSheet4U.com

DataShee

Absolute Maximum Ratings ¹

Supply Voltage (V_{CC})	-0.3V ~ +4.0V
CMOS/TTL Input Voltage	-0.3V ~ ($V_{CC} + 0.3V$)
CMOS/TTL Output Voltage	-0.3V ~ ($V_{CC} + 0.3V$)
LVDS Driver Output Voltage	-0.3V ~ ($V_{CC} + 0.3V$)
Junction Temperature	+125°C
Storage Temperature Range	-55°C ~ +150°C
Resistance to soldering heat	+260°C /10sec
Maximum Power Dissipation @+25°C	1.0W

1. "Absolute Maximum Ratings" are those valued beyond which the safety of the device can not be guaranteed. They are not meant to imply that the device should be operated at these limits. The tables of "Electrical Characteristics" specify conditions for device operation.

Electrical Characteristics

CMOS/TTL DC Specifications

$$V_{CC} = 3.0V \sim 3.6V, \quad T_a = 0^{\circ}C \sim +70^{\circ}C$$

Symbol	Parameter	Conditions	Min.	Typ.	Max.	Units
V_{IH}	High Level Input Voltage	RS=VCC or GND	2.0		V_{CC}	V
V_{IL}	Low Level Input Voltage	RS=VCC or GND	GND		0.8	V
V_{DDQ}^1	Small Swing Voltage		1.2		2.8	V
V_{REF}	Input Reference Voltage	Small Swing (RS= $V_{DDQ}/2$)		$V_{DDQ}/2$		
V_{SH}^2	Small Swing High Level Input Voltage	$V_{REF} = V_{DDQ}/2$	$V_{DDQ}/2 + 100mV$			V
V_{SL}^2	Small Swing Low Level Input Voltage	$V_{REF} = V_{DDQ}/2$			$V_{DDQ}/2 - 100mV$	V
I_{INC}	Input Current	$0V \leq V_{IN} \leq V_{CC}$			± 10	μA

Notes: ¹ V_{DDQ} voltage defines max voltage of small swing input. It is not an actual input voltage.

² Small swing signal is applied to TA[6:0], TB[6:0], TC[6:0], TD[6:0], TE[6:0] and CLKIN.

LVDS Transmitter DC Specifications

$$V_{CC} = 3.0V \sim 3.6V, \quad T_a = 0^{\circ}C \sim +70^{\circ}C$$

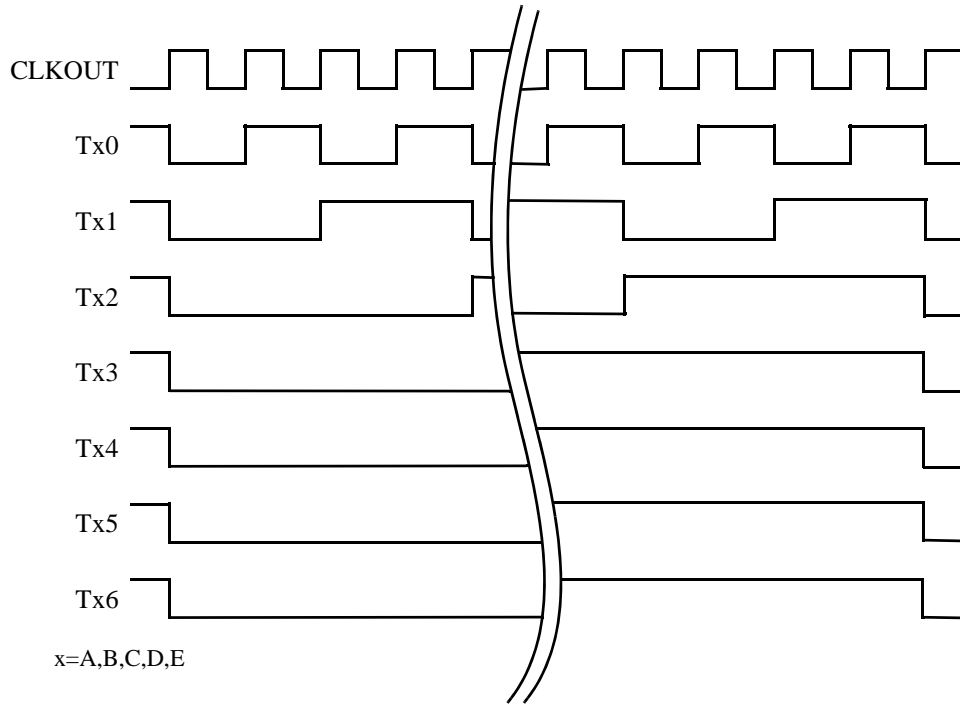
Symbol	Parameter	Conditions	Min.	Typ.	Max.	Units
VOD	Differential Output Voltage	Normal swing RS=VCC RL=100 Ω	250	350	450	mV
		Reduced swing RS=GND	100	200	300	mV
ΔVOD	Change in VOD between complementary output states	RL=100 Ω			35	mV
VOC	Common Mode Voltage		1.125	1.25	1.375	V
ΔVOC	Change in VOC between complementary output states				35	mV
I_{OS}	Output Short Circuit Current	VOUT=0V, RL=100 Ω			-24	mA
I_{OZ}	Output TRI-STATE Current	/PDWN=0V, V _{OUT} =0V to VCC			± 10	μA

Supply Current

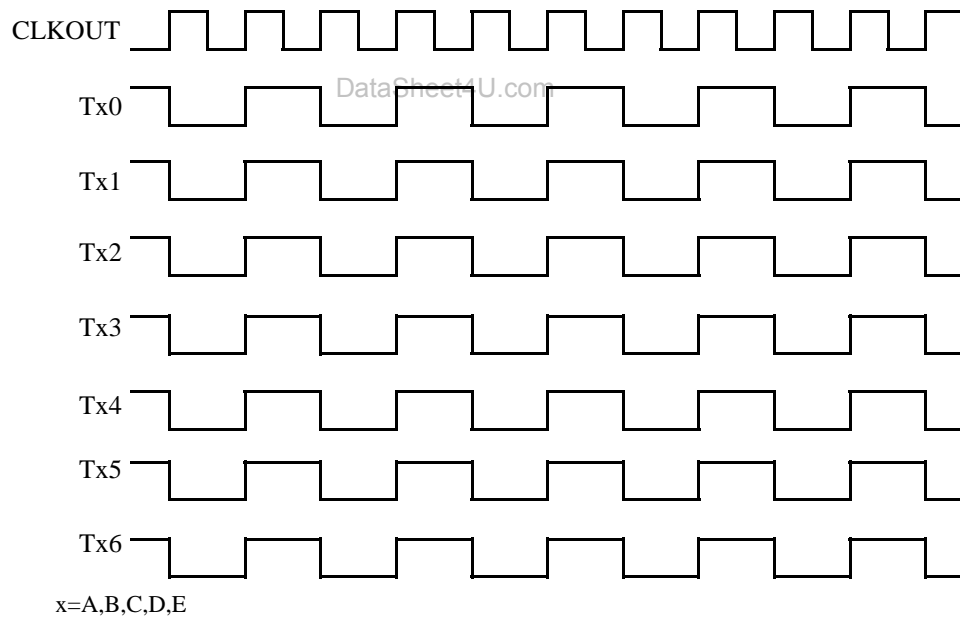
$$V_{CC} = 3.0V \sim 3.6V, \quad T_a = 0^{\circ}C \sim +70^{\circ}C$$

Symbol	Parameter	Conditions	Typ.	Max.	Units
I_{TCCG}	Transmitter Supply Current	RL=100 Ω , CL=5pF f=85MHz V _{CC} =3.3V, RS=V _{CC} Gray Scale Pattern	58	64	mA
		f=135MHz	70	76	mA
		RL=100 Ω , CL=5pF f=85MHz V _{CC} =3.3V, RS=GND Gray Scale Pattern	44	50	mA
		f=135MHz	56	62	mA

Gray Scale Pattern



Worst Case Pattern



et4U.com

DataSheet4U.com

DataShee

Symbol	Parameter	Conditions	Typ.	Max.	Units	
I_{TCCW}	Transmitter Supply Current	RL=100 Ω , CL=5pF V _{CC} =3.3V, RS=V _{CC} Worst Case Pattern	f=85MHz	69	75	mA
			f=135MHz	87	93	mA
		RL=100 Ω , CL=5pF V _{CC} =3.3V, RS=GND Worst Case Pattern	f=85MHz	55	61	mA
			f=135MHz	73	79	mA
I_{TCCS}	Transmitter Power Down Supply Current	/PDWN = L		10	μ A	

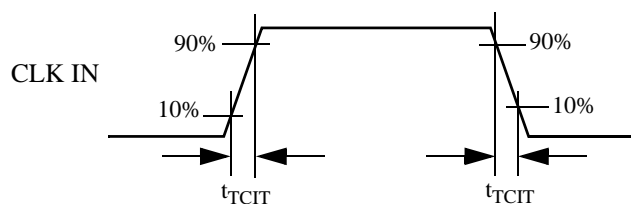
Switching Characteristics

 $V_{CC} = 3.0V \sim 3.6V, T_a = 0^{\circ}C \sim +70^{\circ}C$

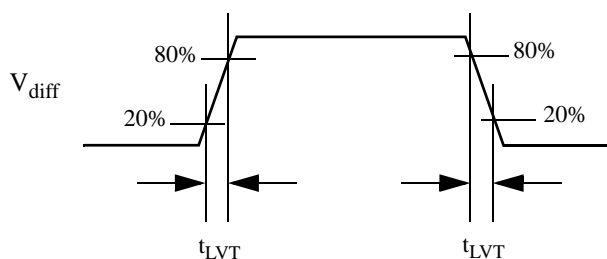
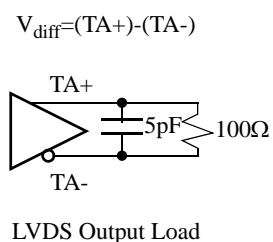
Symbol	Parameter	Min.	Typ.	Max.	Units
t_{TCIT}	CLK IN Transition time			5.0	ns
t_{TCP}	CLK IN Period	7.4		125.0	ns
t_{TCH}	CLK IN High Time	$0.35t_{TCP}$	$0.5t_{TCP}$	$0.65t_{TCP}$	ns
t_{TCL}	CLK IN Low Time	$0.35t_{TCP}$	$0.5t_{TCP}$	$0.65t_{TCP}$	ns
t_{TCD}	CLK IN to TCLK+/- Delay		$3t_{TCP}$		ns
t_{TS}	TTL Data Setup to CLK IN	2.5			ns
t_{TH}	TTL Data Hold from CKL IN	0			ns
t_{LVT}	LVDS Transition Time		0.6	1.5	ns
t_{TOP1}	Output Data Position0	-0.2	0.0	+0.2	ns
t_{TOP0}	Output Data Position1	$\frac{t_{TCP}}{7} - 0.2$	$\frac{t_{TCP}}{7}$	$\frac{t_{TCP}}{7} + 0.2$	ns
t_{TOP6}	Output Data Position2	$2\frac{t_{TCP}}{7} - 0.2$	$2\frac{t_{TCP}}{7}$	$2\frac{t_{TCP}}{7} + 0.2$	ns
t_{TOP5}	Output Data Position3	$3\frac{t_{TCP}}{7} - 0.2$	$3\frac{t_{TCP}}{7}$	$3\frac{t_{TCP}}{7} + 0.2$	ns
t_{TOP4}	Output Data Position4	$4\frac{t_{TCP}}{7} - 0.2$	$4\frac{t_{TCP}}{7}$	$4\frac{t_{TCP}}{7} + 0.2$	ns
t_{TOP3}	Output Data Position5	$5\frac{t_{TCP}}{7} - 0.2$	$5\frac{t_{TCP}}{7}$	$5\frac{t_{TCP}}{7} + 0.2$	ns
t_{TOP2}	Output Data Position6	$6\frac{t_{TCP}}{7} - 0.2$	$6\frac{t_{TCP}}{7}$	$6\frac{t_{TCP}}{7} + 0.2$	ns
t_{TPLL}	Phase Lock Loop Set			10.0	ms

AC Timing Diagrams

TTL Input

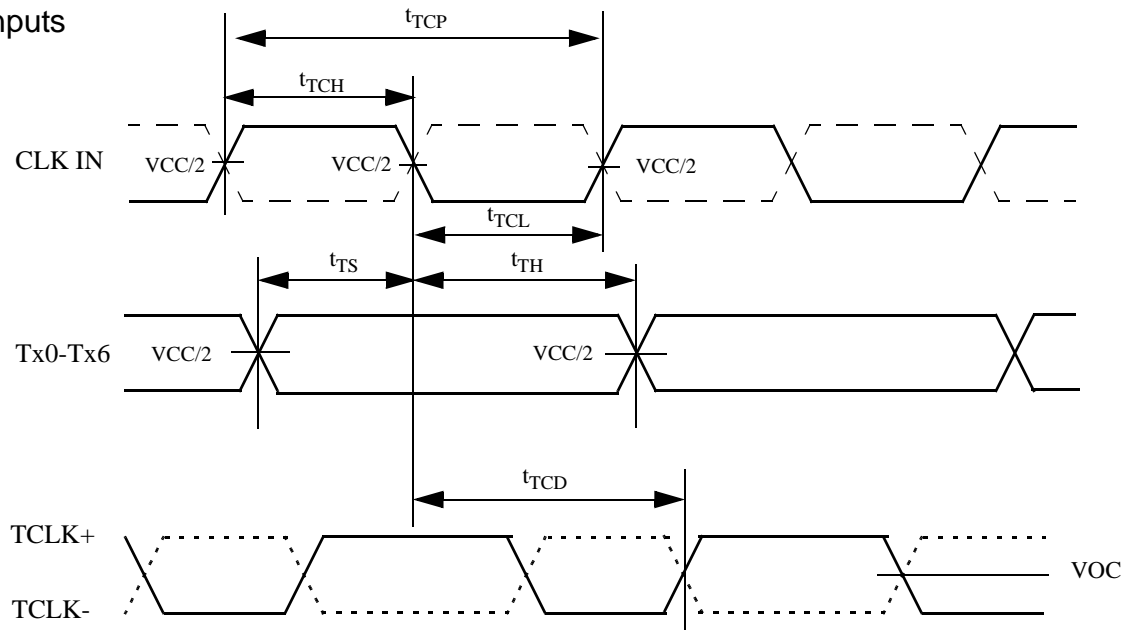


LVDS Output



AC Timing Diagrams

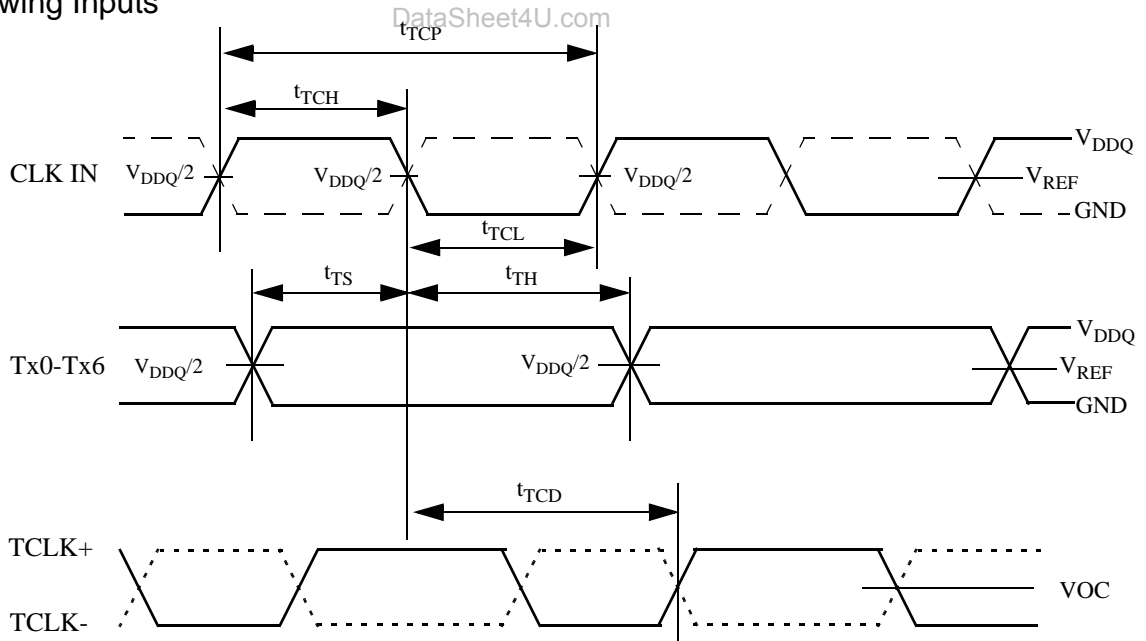
TTL Inputs



Note:

CLK IN: for R/F=GND, denote as solid line,
for R/F=VCC, denote as dashed line

Small Swing Inputs

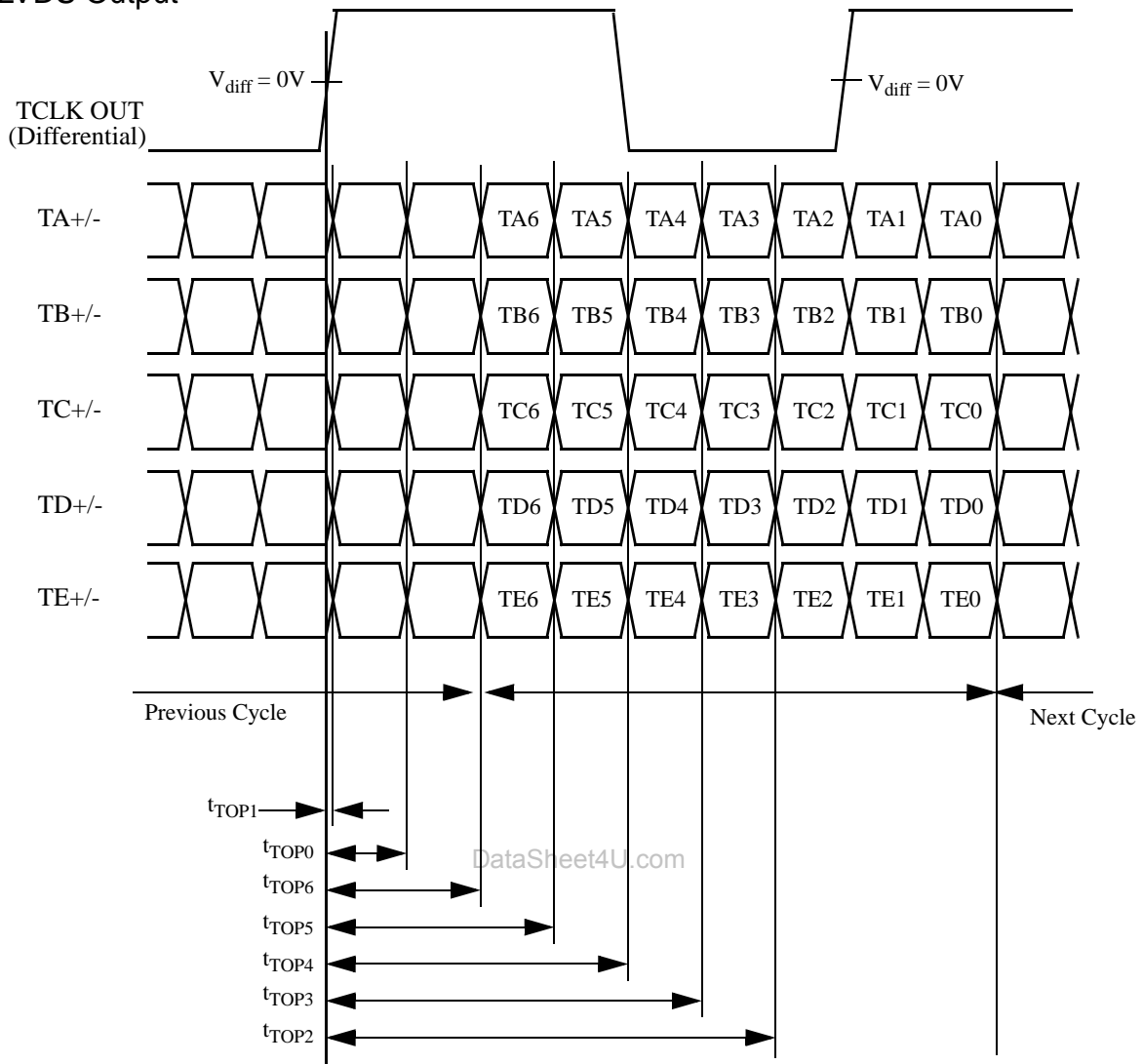


Note:

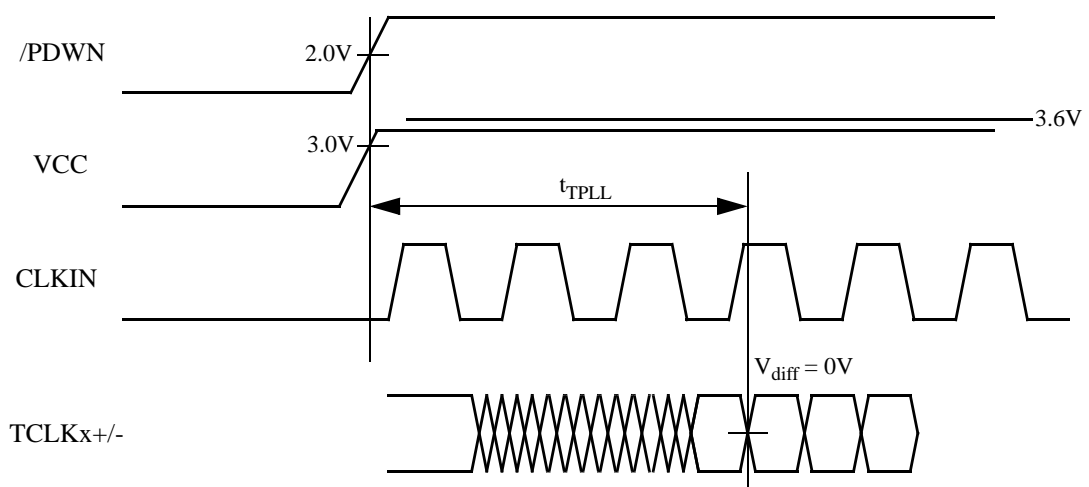
CLK IN: for R/F=GND, denote as solid line,
for R/F=VCC, denote as dashed line

AC Timing Diagrams

LVDS Output

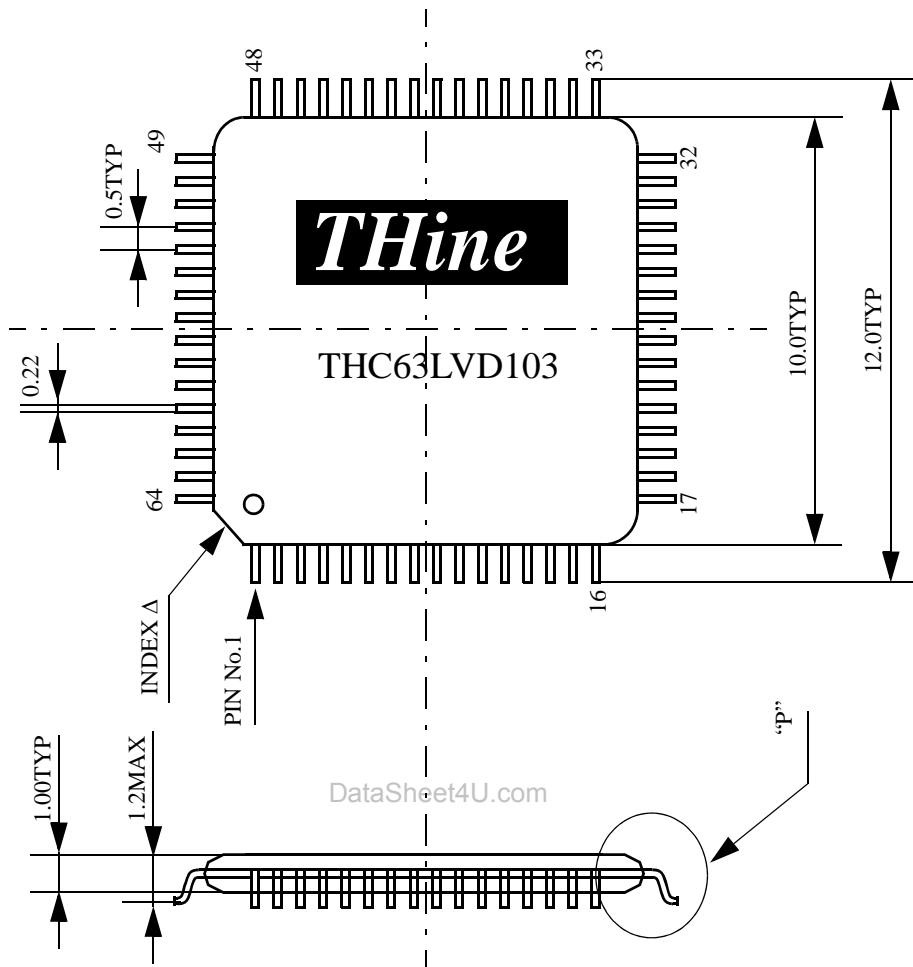


Phase Lock Loop Set Time



Package

64 Pin TQFP, JEDEC



UNITS: mm

et4U.com

DataShee

Notes to Users:

1. The contents of this data sheet are subject to change without prior notice.
2. Circuit diagrams shown in this data sheet are examples of application. Therefore, please pay sufficient attention when designing circuits. **EVEN IF THERE ARE INCORRECT DESCRIPTIONS, THINE IS NOT RESPONSIBLE FOR ANY PROBLEM DUE TO THEM.** Please note that incorrect descriptions sometimes cannot be corrected immediately if found.
3. THine's copyright, know-how and other intellectual property rights are included in this data sheet. Duplication of the data sheet and disclosure to other persons are strictly prohibited without THine's prior written permission.
4. **THINE IS NOT RESPONSIBLE FOR ANY PROBLEMS OF INTELLECTUAL PROPERTY RIGHTS OCCURRING DURING THC63LVD103 USE, EXCEPT FOR DAMAGES RESULTING FROM INFRINGEMENT CAUSED ONLY BY THC63LVD103 WITHOUT ANY ITEM NOT SOLD BY THINE AND/OR ANY USERS' ACTION. THINE IS NOT RESPONSIBLE FOR PROBLEMS CAUSED BY SPECIFICATIONS SUPPLIED BY USERS.** THC63LVD103 is designed on the premise that it should be used for ordinary electronic devices. Therefore, it shall not be used for applications that require extremely high-reliability (space equipment, nuclear control equipment, medical equipment that affects people's lives, etc.). In addition, when using THC63LVD103 for traffic signals, safety devices and control/safety units in transportation equipment, etc., appropriate measures should be taken.
5. **THINE IS MAKING THE UTMOST EFFORT TO IMPROVE THE QUALITY AND RELIABILITY OF THINE'S PRODUCTS. HOWEVER, THERE IS A VERY SLIGHT POSSIBILITY OF FAILURE IN SEMICONDUCTOR DEVICES.** To avoid damage to social or official organizations, much care should be taken to provide sufficient redundancy and fail-safe design.
6. No radiation-hardened design is incorporated in THC63LVD103.
7. Judgment on whether THC63LVD103 comes under strategic products prescribed by the Foreign Exchange and Foreign Trade Control Law is the user's responsibility.
8. This technical document was provisionally created during development of THC63LVD103, so there is a possibility of differences between it and the product's final specifications. When designing circuits using THC63LVD103, be sure to refer to the final technical documents. DataSheet4U.com

THine Electronics, Inc.

Wakamatsu Bldg, 6F

3-3-6, Nihombashi-Honcho,

Chuo-ku, Tokyo, 103-0023 Japan

Tel: 81-3-3270-0880

Fax: 81-3-3270-1771