

SPEC.NO.	TQ3C-8EAF0-E1DKG10-01
DATE	May 10, 2007

S P E C

FOR : _____

TYPE : THG057VG1AC - H00

C O N T E N T S

1. Application
2. Construction and Outline
3. Mechanical Specifications
4. Absolute Maximum Ratings
5. Electrical Characteristics
6. Optical Characteristics
7. Interface Signals
8. Timing Characteristics of input signals
9. Backlight Characteristics
10. Lot Number Identification
11. Warranty
12. Precautions for Use
13. Reliability Data / Environmental Test
14. Outline Drawing



KYOCERA CORPORATION
KAGOSHIMA HAYATO PLANT
LCD DIVISION

This specification is subject to change without notice.
Consult Kyocera before ordering.

Original	Designed by :Engineering Dept.			Confirmed by :QA Dept.	
Issue Date	Prepared	Checked	Approved	Checked	Approved
March 27, 2007	<i>D. Ajisaka</i>	<i>J. Yamaguchi</i>	<i>M. Fujitani</i>	<i>S. Higashio</i>	<i>To. Ito</i>

Warning

1. This Kyocera LCD module has been specifically designed for use only in electronic devices and industrial machines in the area of audio control, office automation, industrial control, home appliances, etc. The module should not be used in applications where the highest level of safety and reliability are required and module failure or malfunction of such module results in physical harm or loss of life, as well as enormous damage or loss. Such fields of applications include, without limitation, medical, aerospace, communications infrastructure, atomic energy control. Kyocera expressly disclaims any and all liability resulting in any way to the use of the module in such applications.
2. Customer agrees to indemnify, defend and hold Kyocera harmless from and against any and all actions, claims, damages, liabilities, awards, costs and expenses, including legal expenses, resulting from or arising out of Customer's use, or sale for use, or Kyocera modules in applications.

Caution

1. Kyocera shall have the right, which Customer hereby acknowledges, to immediately scrap or destroy tooling for Kyocera modules for which no Purchase Orders have been received from the Customer in a two-year period.

Revision Record

Date		Designed by: Engineering Dept.			Confirmed by: QA Dept.	
		Prepared	Checked	Approved	Checked	Approved
May 10, 2007		<i>D. Ajisaka</i>	<i>H. Yamaguchi</i>	<i>M. Fujitani</i>	<i>S. Higashio</i>	<i>To. Imai</i>
Rev. No.	Date	Page	Descriptions			
01	May 10, 2007	1	2. Construction and Outline ~ Change "Inverter" (TBD) CXA-L0612A-VJL(TDK)			
		2	3. Mechanical Specifications ~ Change "Outline dimensions" 144.0 (W) × (104.8) (H) × (13.0) (D) 144.0 (W) × (104.8) (H) × 13 (D)			
		8	7. Interface signals ~ Change comment of "Pin No.30" and "Pin No.31"			
		14	13. Reliability Data / Environmental Test ~ Change "RESULT" ~ Delet comment "*The tested LCD..."			

1. Application

This data sheet defines the specification for a (640×R.G.B)×480 dot, amorphous silicon TFT transfective color dot matrix type Liquid Crystal Display with CFL backlight. 『RoHS Compliant』

2. Construction and Outline

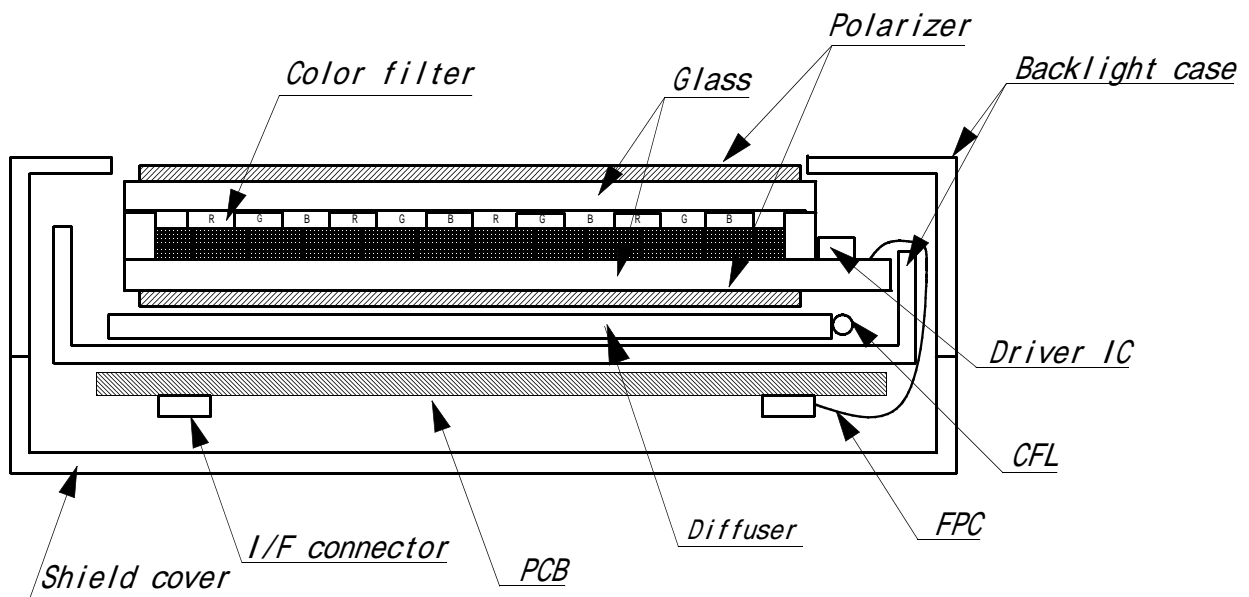
(640×R.G.B)×480 dots, COG type LCD with CFL backlight.

Backlight system : "U" figured type CFL (1 tube).

Inverter : Option.
Recommended Inverter : CXA-L0612A-VJL(TDK)
or Equivalent.

Polarizer : Glare Anti-reflection treatment.

Additional circuits : Timing controller, Power supply (3.3V input)



This drawing is showing conception only.

3. Mechanical Specifications

ITEM	SPECIFICATION	UNIT
Outline dimensions	144.0 (W) × (104.8) (H) × 13 (D)	mm
Effective viewing area	117.2 (W) × 88.4 (H)	mm
Dot number	(640×R.G.B) (W) × 480 (H)	Dots
Dot pitch	0.06 (W) × 0.18 (H)	mm
Display mode *1	Normally white	-
Mass	(TBD)	g

*1 Due to the characteristics of the LCD material, the color vary with environmental temperature.

4. Absolute Maximum Ratings

4-1. Electrical absolute maximum ratings

ITEM	SYMBOL	Min.	Max.	UNIT
Power input voltage	VDD	0	4.0	V
Input signal voltage *1	Vin	-0.3	6.0	V

*1 Input signals : CK, R0 ~ R5, G0 ~ G5, B0 ~ B5, Hsync, Vsync, ENAB, R/L, U/D

4-2. Environmental absolute maximum ratings

ITEM	SYMBOL	Min.	Max.	UNIT
Operating temperature *1	Top	-10	70	
Storage temperature *2	Tsto	-30	80	
Operating humidity *3	Hop	10	*4	%RH
Storage humidity *3	Hsto	10	*4	%RH
Vibration	-	*5	*5	-
Shock	-	*6	*6	-

*1 Operating temperature means a temperature which operation shall be guaranteed.
Since display performance is evaluated at 25 , another temperature range should be confirmed.

*2 Temp. = -30 < 48 h , Temp = 80 < 168 h
Store LCD panel at normal temperature/humidity.
Keep it free from vibration and shock.
LCD panel that is kept at low or high temperature for a long time can be defective due to the other conditions, even if the temperature satisfies standard.
(Please refers to 12. Precautions for use as detail).

*3 Non-condensation.

*4 Temp. 40 , 85%RH Max.
Temp. > 40 , Absolute Humidity shall be less than 85% RH at 40 .

*5

Frequency	10 ~ 55 Hz	Converted to acceleration value : (0.3 ~ 9 m/s ²)
Vibration width	0.15 mm	
Interval	10-55-10 Hz 1 minute	

2 hours in each direction X/Y/Z (6 hours as total)
EIAJ ED-2531

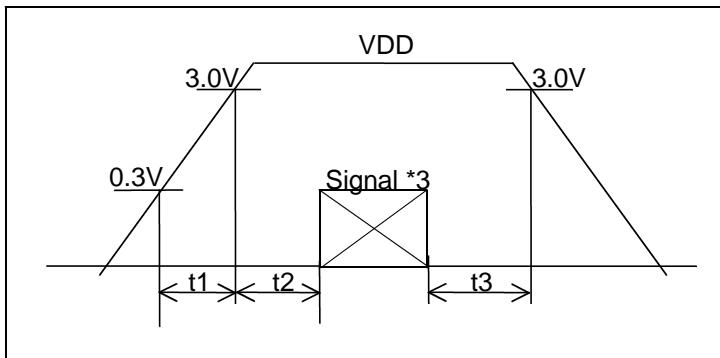
*6 Acceleration: 490m/s²
Pulse width : 11 ms
3 times in each direction : ±X/ ±Y/ ±Z.
EIAJ ED-2531

5. Electrical Characteristics

VDD = +3.3V ± 0.3V , Temp. = -10 ~ 70

ITEM	SYMBOL	MIN	TYP	MAX	UNIT	
Power input voltage *1	VDD	(3.0)	(3.3)	(3.6)	V	
Current consumption *2						IDD
Permissive input ripple voltage(VDD=3.3V)		VRP	-	-	TBD	mVp-p
Input signal voltage (Low) *3	VIL	0	-	0.3VDD	V	
Input signal voltage (High) *3	VIH	0.7VDD	-	5.5	V	

*1 VDD-turn-on conditions



0 < t 1 20 ms

0 < t 2 50 ms

0 < t 3 1 s

*2 Power consumption

Black & White pattern :

VDD = 3.3V

123 456 789 1,918, 1,919, 1,920(dot)

1

2

3

:

:

479

480

(d o t)

*3 Input signals : CK, R0 ~ R5, G0 ~ G5, B0 ~ B5, Hsync, Vsync, ENAB, R/L, U/D

6 . Optical Characteristics

6-1. Reflective mode

Measuring points = 6.0mm , Temp. = 25

ITEM		SYMBOL	CONDITION	MIN	TYP	MAX	UNIT
Response time	Rise	r	= =0°	-	(10)	-	ms
	Down	d	= =0°	-	(20)	-	ms
Contrast ratio		CR	= =0°	(10)	(20)	-	-
Refrectance			= =0°	(7)	(10)	-	%

6-2. Transmissive mode

Measuring points = 6.0mm , Temp. = 25

ITEM		SYMBOL	CONDITION	MIN	TYP	MAX	UNIT	
Response time	Rise	r	= =0°	-	(10)	-	ms	
	Down	d	= =0°	-	(20)	-	ms	
Viewing angle range			CR 10	Upper	-	(45)	-	deg.
				Lower	-	(80)	-	
				Left	-	(80)	-	deg.
				Right	-	(80)	-	
Contrast ratio		CR	= =0°	(100)	(150)	-	-	
Brightness(IL=4.0mArms)		L		(130)	(200)	-	cd/m ²	
Chromaticity coordinates	Red	x	= =0°	(TBD)	(TBD)	(TBD)	-	
		y		(TBD)	(TBD)	(TBD)		
	Green	x	= =0°	(TBD)	(TBD)	(TBD)		
		y		(TBD)	(TBD)	(TBD)		
	Blue	x	= =0°	(TBD)	(TBD)	(TBD)		
		y		(TBD)	(TBD)	(TBD)		
	White	x	= =0°	(TBD)	(TBD)	(TBD)		
		y		(TBD)	(TBD)	(TBD)		

6-3. Definition of Reflectance

$$(\text{Reflectance}) = \frac{\text{Measured Reflection Brightness}}{\text{Reflection Brightness against Standard White Board}} \times 100 (\%)$$

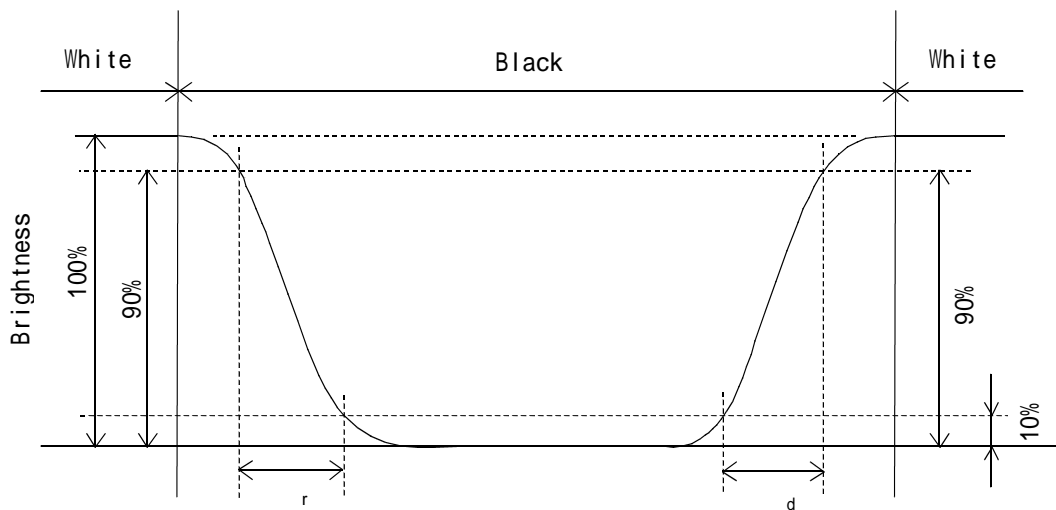
6-4. Definition of Contrast (Reflective Mode)

$$\text{CR (Contrast)} = \frac{\text{Reflectance at all pixels "White"}}{\text{Reflectance at all pixels "Black"}}$$

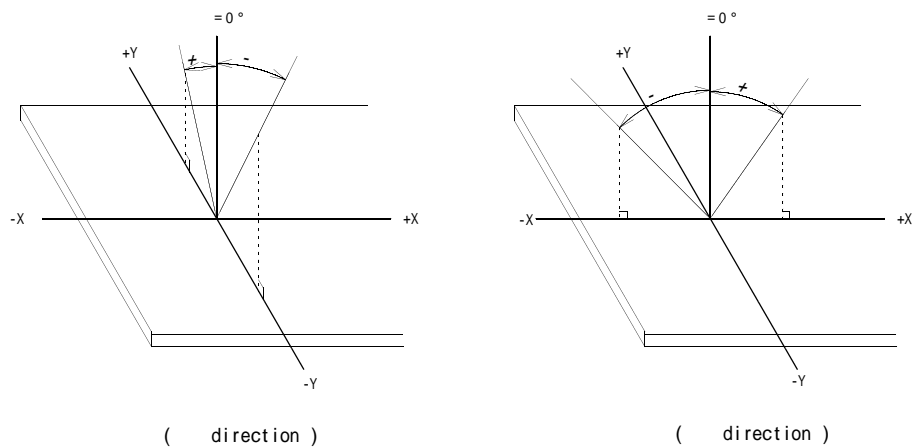
6-5. Definition of Contrast (Transmissive Mode)

$$\text{CR (Contrast)} = \frac{\text{Brightness at all pixels "White"}}{\text{Brightness at all pixels "Black"}}$$

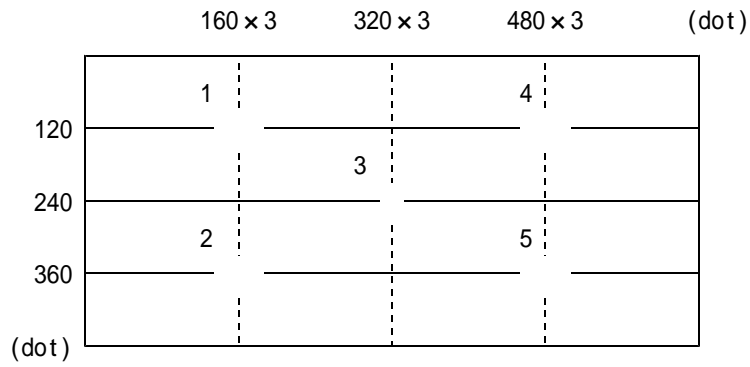
6-6. Definition of response time



6-7. Definition of viewing angle

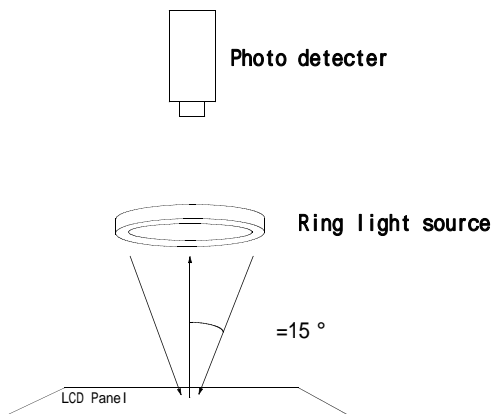


6-8. Measuring points



- 1) Rating is defined as the average brightness inside the viewing area.
- 2) 30 minutes after CFL is turned on. (Ambient Temp.=25)
- 3) The inverter should meet the rating of the CFL;
 - Sine, symmetric waveform without spike in positive and negative.

6-9. Measurement method of reflectance



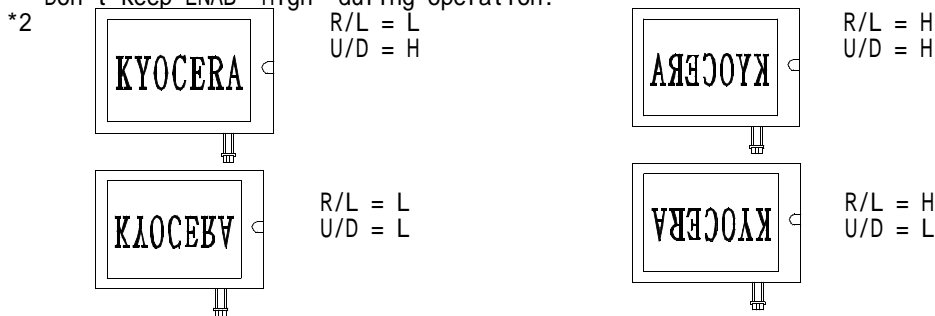
7 . Interface signals

7-1. LCD

PIN NO.	SYMBOL	DESCRIPTION	I/O	Note
1	GND	GND	-	
2	CK	Clock signal for sampling each data signal		
3	Hsync	Horizontal synchronous signal (negative)		
4	Vsync	Vertical synchronous signal (negative)		
5	GND	GND	-	
6	R0	RED data signal (LSB)		
7	R1	RED data signal		
8	R2	RED data signal		
9	R3	RED data signal		
10	R4	RED data signal		
11	R5	RED data signal (MSB)		
12	GND	GND	-	
13	G0	GREEN data signal (LSB)		
14	G1	GREEN data signal		
15	G2	GREEN data signal		
16	G3	GREEN data signal		
17	G4	GREEN data signal		
18	G5	GREEN data signal (MSB)		
19	GND	GND	-	
20	B0	BLUE data signal (LSB)		
21	B1	BLUE data signal		
22	B2	BLUE data signal		
23	B3	BLUE data signal		
24	B4	BLUE data signal		
25	B5	BLUE data signal (MSB)		
26	GND	GND	-	
27	ENAB	Signal to settle the horizontal display position (positive)		*1
28	VDD	3.3V power supply	-	
29	VDD	3.3V power supply	-	
30	R/L	Horizontal display mode select signal L : Normal , H : Left / Right reverse mode		*2
31	U/D	Vertical display mode select signal H : Normal , L : Up / Down reverse mode		*2
32	NC	No connect	-	
33	GND	GND	-	

LCD side connector : IMSA-9632S-33Z02-GF1 (IRISO)
Recommended matching FFC or FPC : P = 0.5mm

*1 The horizontal display start timing is settled in accordance with a rising timing of ENAB signal.
In case ENAB is fixed "Low", the horizontal start timing is determined as described in 8-2.
Don't keep ENAB "High" during operation.



7-2 . C F L

PIN NO.	SYMBOL	DESCRIPTION
1	Hot	Inverter output high voltage side
2	NC	
3	Cold	Inverter output low voltage side

LCD side connector : BHR-03VS-1 (JST)
Recommended matching connector : SM02(8.0)B-BHS-1 (JST)
: SM02(8.0)B-BHS-1-TB(LF)(SN) (JST)···(RoHS Compliant)

* Please be careful NOT to connect inversely an inverter-output high voltage side to the CFL low voltage side. It may result in damage or electric shock.

8 . Timing Characteristics of input signals

8-1. Timing characteristics

ITEM		SYMBOL	MIN	TYP	MAX	UNIT	NOTE
Clock	Frequency	1/Tc	-	(25.18)	(28.33)	MHz	
	Duty ratio	Tch/Tc	(40)	(50)	(60)	%	
Data	Set up time	Tds	(5)	-	-	ns	
	Hold time	Tdh	(10)	-	-	ns	
Horizontal sync. signal	Cycle	TH	(30.0)	(31.8)	-	μs	
			(770)	(800)	(900)	clock	
	Pulse width	THp	(2)	(96)	(200)	clock	
Vertical sync. signal	Cycle	TV	(515)	(525)	(560)	line	
	Pulse width	TVp	(2)	-	(34)	line	
Horizontal display period		THd	(640)			clock	
Hsync.-Clock phase difference		THc	(10)	-	(Tc-10)	ns	
Hsync.-Vsync. phase difference		TVh	(0)	-	(TH-THp)	ns	
Vertical sync.signal start position		TVs	(34)			line	
Vertical display period		TVd	(480)			line	

*In case of lower frequency, the deterioration of the display quality, flicker etc., may occur.

8-2. Horizontal display position

The horizontal display position is determined by ENAB signal.

ITEM		SYMBOL	MIN	TYP	MAX	UNIT	NOTE
Enable signal	Set up time	Tes	(5)	-	(Tc-10)	ns	
	Pulse width	Tep	(2)	(640)	(TH-10)	clock	
Hsync.-Enable signal phase difference		The	(44)	-	(104)	clock	

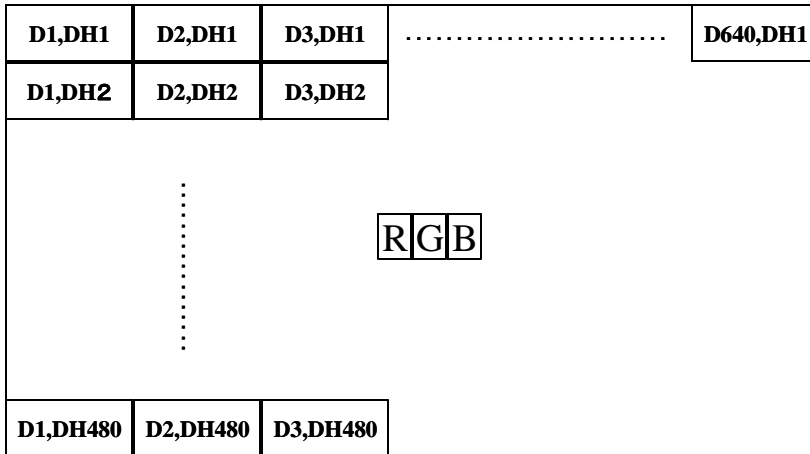
*When ENAB is fixed at "Low", the display starts from the data of (104)(clock) as shown in 8-5.

8-3. Vertical display position

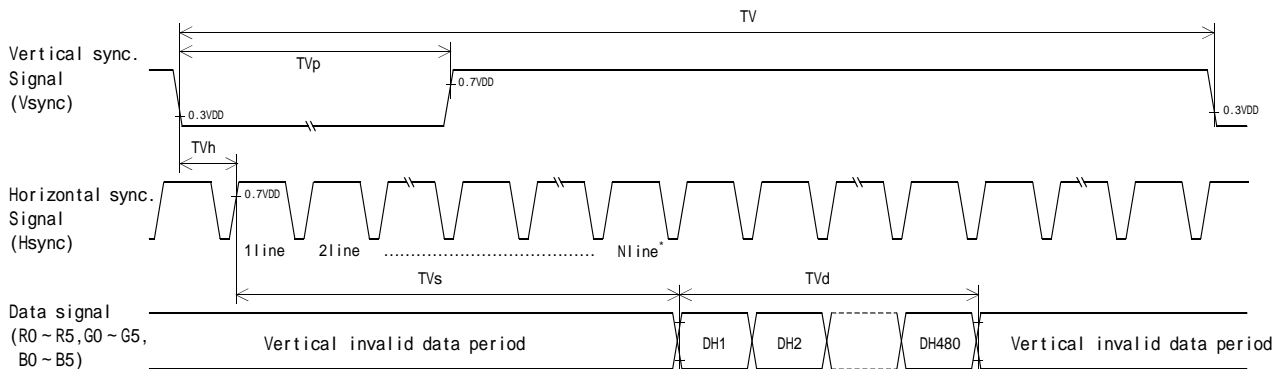
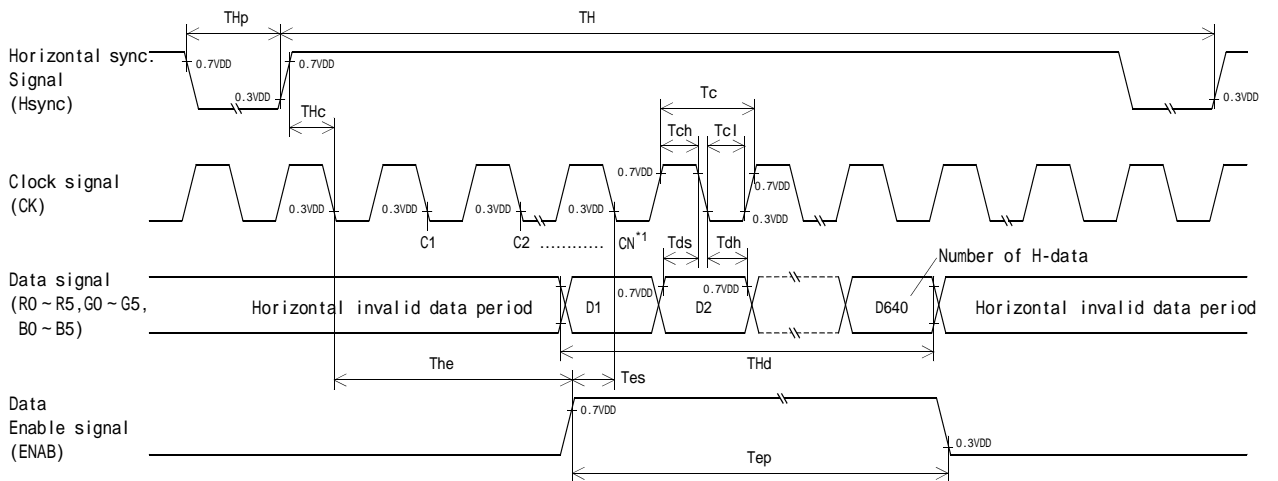
The vertical display position (TVs) is fixed at (34)th line.

Note) ENAB signal is independent of vertical display position.

8-4. Input Data Signals and Display position on the screen



8-5. Input Timing Characteristics



*1 When ENAB is fixed "Low" the display starts from the data of C104(Clock).

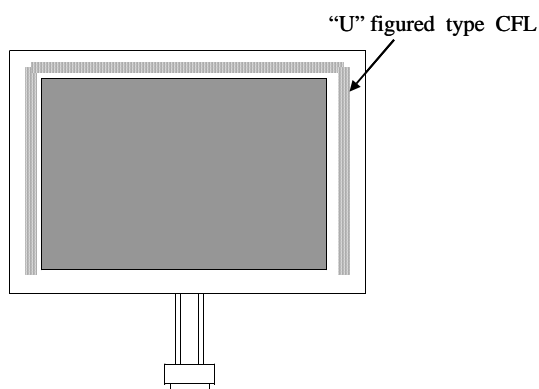
*2 The vertical display position(TVs) is fixed at 34th line.

9. Backlight Characteristics

Temp. = 25

ITEM	SYMBOL	MIN.	TYP.	MAX.	NOTE
Starting discharge Voltage *1	VS	-	-	(1,575) Vrms	0
		-	-	(1,050) Vrms	25
Discharging tube current *2	IL	(3.0) mArms	(4.0) mArms	(5.0) mArms	-
Discharging tube voltage	VL	-	(640) Vrms	-	-
Operating life (IL=4.0 mArms) *3	T	(60,000) h	(75,000) h	-	-
Operating frequency *4	F	(30) kHz	-	(100) kHz	-

- *1 The Non-load output voltage (VS) of the inverter should be 1.3 times the maximum VS at the low temperature to provide margin to assure that the CFL will start, because actual VS may increase due to leakage current from the CFL cables. (Reference value: (2,015) Vrms Min)
- *2 We recommend that you should set the discharging tube current at lower than typical value so as to prevent the heat accumulation of CFL tube from deteriorating a performance of the LCD.
- *3 End of life is defined as when the illuminance or quantity of light has decreased to 50% of the initial value. Illuminance of light will drastically decrease when LCD is operated at lower temperature for long hours.
- *4 The driving frequency of the CFL may interfere with the horizontal synchronous signal ,leaving interference stripes on the display. So please evaluate LCD panels beforehand.
To avoid interference stripes, we recommend to separate as far as possible the CFL frequency from the horizontal synchronous signal and its high harmonic frequency.
- * There may be cases where interface noise on LCD PCB, generated by high-voltage products such as inverters, may leave stripes on the display. Please be careful when designing a mold to take into consideration that the inverter shall be located as far as possible from PCB. Shield protection may be effective.
- * Prolonged storage in darkness and/or low temperature may slow the ignition and rise to full brightness of the CFL in an LCD Module. Please use an inverter designed to provide sufficient driving voltage for more than 1 second. Also a decreased Starting Discharge Voltage or shortened ignition time may not turn ON the CFL lamp.
- * CFL arrangement figure



1 0 . Lot Number Identification

The lot number shall be indicated on the back of the backlight case of each LCD.

THG057VG1AC - H00 - _____ - _____ MADE IN _____

↓
↓
↓
↓
↓

①
②
③
④
⑤

YEAR
 MONTH
 DATE
 Version Number
 Country of origin (JAPAN or CHINA)

YEAR	2007	2008	2009	2010	2011	2012
CODE	7	8	9	0	1	2

MONTH	JAN.	FEB.	MAR.	APR.	MAY.	JUN.
CODE	1	2	3	4	5	6

MONTH	JUL.	AUG.	SEP.	OCT.	NOV.	DEC.
CODE	7	8	9	X	Y	Z

1 1 . Warranty

11-1. Incoming inspection

Please inspect the LCD within one month after your receipt.

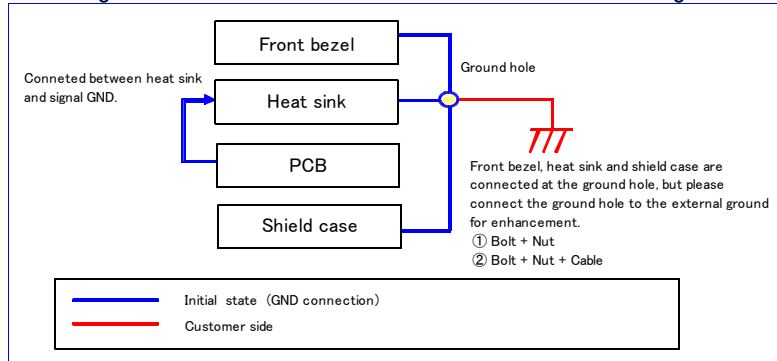
11-2. Production Warranty

Kyocera warrants its LCDs for a period of 12 months after receipt by the purchaser, and within the limits specified. Kyocera shall, by mutual agreement, replace or rework defective LCDs that are shown to be Kyocera's responsibility.

1 2 . Precautions for use

12-1. Installation of the LCD

1. The LCD's bezel must be grounded. The heat sink and shield cover are connected at the ground hole. The ground hole is located on the right side of the LCD when viewed from the front. The ground hole must be connected to an external ground.



2. A transparent protection sheet shall be added to protect the LCD and its polarizers.
3. The LCD shall be installed so that there is no pressure on the LSI chips.
4. The LCD shall be installed flat, without twisting or bending.
5. The display window size should be the same as the effective viewing area.
6. In case you use outside frame of effective viewing area as outward appearance of your product, unevenness of its outward appearance is out of guarantee.
7. Please refer to the following our recommendable value of Clamp-down torque when installing.
Clamp-down torque: 0.32 ± 0.03 N·m
Please set up 'SPEED-LOW', 'SOFT START-SLOW' when using electric driver .
Recommendable screw : P-TITE screw nominal dia.3.0mm
installing boss hole depth 3.5 ± 0.5 mm
Please be careful not to use high torque which may damage LCD module in installation.
8. A transparent protection sheet is attached to the polarizer. Please remove the protection film slowly before use, paying attention to static electricity.
9. Do not pull the CFL lead wires and do not bend the root of the wires.
Housing should be designed to protect CFL lead wires from external stress.
10. This Kyocera LCD module has been specifically designed for use in general electronic devices, but not for use in a special environment such as usage in an active gas.
Hence, when the LCD is supposed to be used in a special environment, evaluate the LCD thoroughly beforehand and do not expose the LCD to chemicals such as an active gas.

12-2. Static Electricity

1. Since CMOS ICs are mounted directly onto the LCD glass, protection from static electricity is required. Operator should wear ground straps.

12-3. LCD Operation

1. The LCD shall be operated within the limits specified. Operation at values outside of these limits may shorten life, and/or harm display images.
2. Operation of the LCD at temperature below the limit specified may cause image degradation and/or bubbles.
It may also change the characteristics of the liquid crystal.
This phenomenon may not recover. The LCD shall be operated within the temperature limits specified.

12-4. Storage

1. The LCD shall be stored within normal temperature and humidity.
Store in a dark area, and protected the LCD from direct sunlight or fluorescent light.
2. Always store the LCD so that it is free from external pressure onto it.

12-5. Caution items when handling the LCD

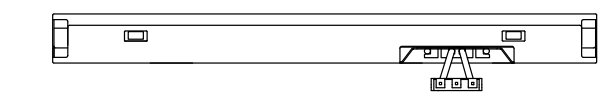
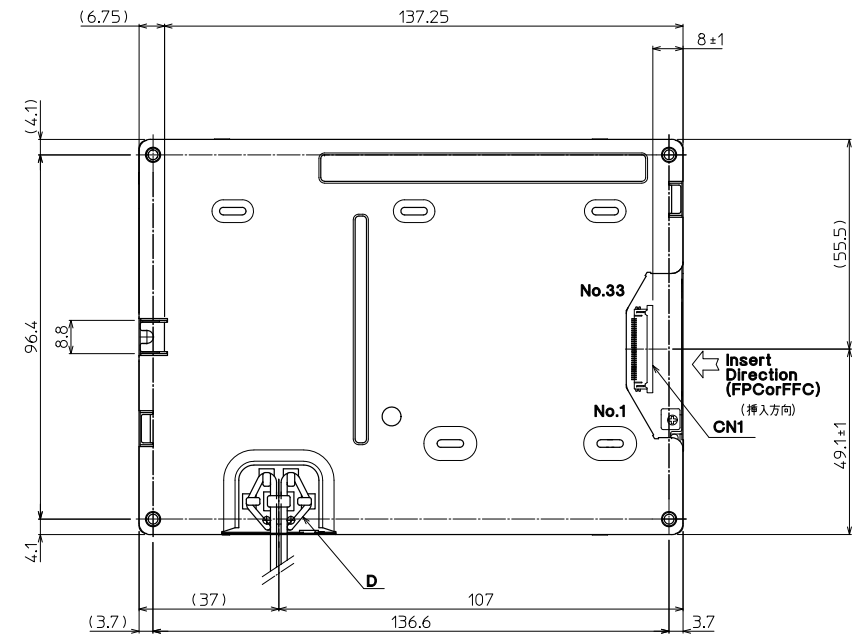
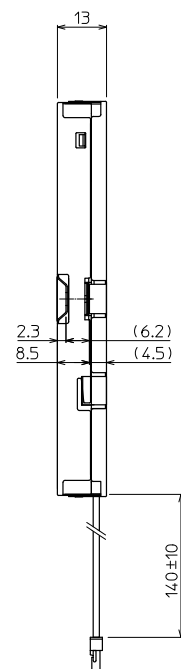
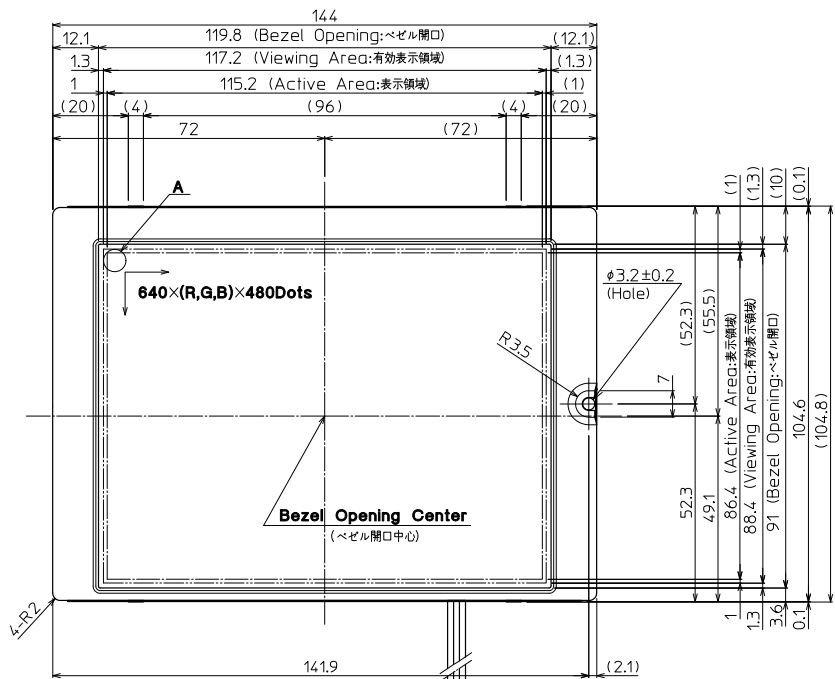
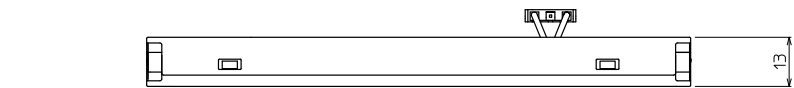
1. DO NOT store in a high humidity environment for extended periods.
Image degradation, bubbles, and/or peeling off of polarizer may result.
2. The front polarizer is easily scratched or damaged.
Prevent touching it with any hard material, and from being pushed or rubbed.
3. The LCD screen may be cleaned by wiping the screen surface with a soft cloth or cotton pad using a little Ethanol
4. Water may cause damage or discoloration of the polarizer.
Clean any condensation or moisture from any source immediately.
5. Always keep the LCD free from condensation during testing.
Condensation may permanently spot or stain the polarizers.
6. Do not disassemble LCD module because it will result in damage.
7. Please do not use solid-base image pattern for long hours because a temporary afterimage may appear. We recommend to use screen saver etc. in cases where a solid-base image pattern must be used.
8. Liquid crystal may leak when the module is broken. Be careful not to let the fluid go into your eye and mouth. In the case the fluid touches your body, rinse it off right away with water and soap.

1 3 . Reliability Data / Environmental Test

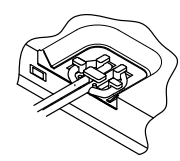
TEST ITEM	TEST CONDITION	TEST TIME	RESULT
High Temp. Atmosphere	80	240 h	Display Quality : No defect Display Function : No defect Current Consumption : No defect
Low Temp. Atmosphere	-30	240 h	Display Quality : No defect Display Function : No defect Current Consumption : No defect
High Temp. Humidity Atmosphere	40 90 %RH	240 h	Display Quality : No defect Display Function : No defect Current Consumption : No defect
Temp. Cycle	-30 0.5 h R.T. 0.5 h 80 0.5 h	10 cycles	Display Quality : No defect Display Function : No defect Current Consumption : No defect
High Temp. Operation	70	500 h	Display Quality : No defect Display Function : No defect Current Consumption : No defect

- * Each test item uses a test LCD only once. The tested LCD is not used in any other tests.
- * The LCD is tested in circumstances in which there is no condensation.
- * The reliability test is not an out-going inspection.
- * The results of the reliability test are for your reference purpose only.
The reliability test is conducted only to examine the LCD's capability.

No	Description	Drawn	Checked	Checked	Approved



DETAIL A (Dot Size)
(NTS)



ISOMETRIC D NTS
(アイソメ図)

- Note. (注記)
- Connector CN1: IMSA-9632S-33Z02-GF1 (IRISO) (コネクタ) CN2: BHR-03VS-1 (JST) (適合コネクタ)
 - Matching Connector CN2: SM02(8.0)B-BHS-1 (JST) SM02(8.0)B-BHS-1-TB(LF)(SN) (JST)
 - The Information of LCD is displayed starting at the upper left hand corner, moving right then down to the lower right hand corner. (LCDにおいて、画像データの表示は左上コーナーから始まり、右へ進み下へ送られ右下コーナーへ向かう。)
 - Tolerance without indication: ±0.5 (指示無き公差)

Material 材質	Treatment 処理	Approved '07.03.26	Checked (4.5)	Checked '07.03.26	Drawn 茶園	Scale 1:1 (NTS)	Title THG057VG1AC	KYOCERA Year-Month-Day '07.03.23	Size 2
Quantity 製作数	Description 備考	阿部	倉元	茶園	Outline Dimensions	Drawing No. 121A5058200			

SPEC. NO.	TQ3C-8EAF0-E2DKG10-00
DATE	March 27, 2007

FOR : _____

KYOCERA INSPECTION STANDARD

TYPE : THG057VG1AC-H00

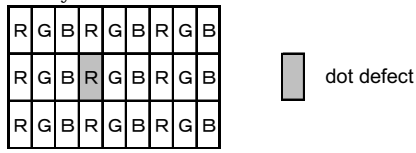
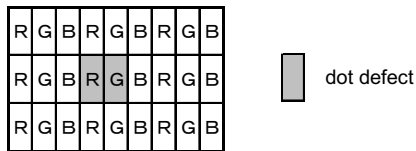
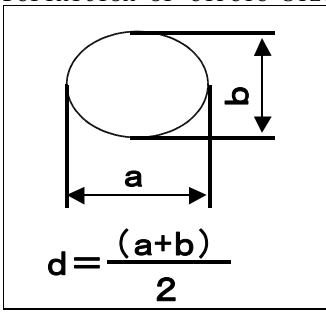
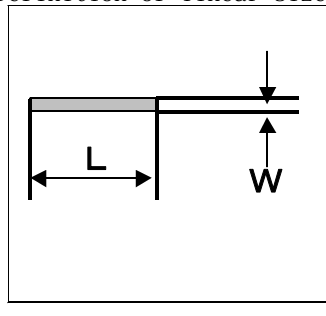
KYOCERA CORPORATION
KAGOSHIMA HAYATO PLANT
LCD DIVISION

Original	Designed by :Engineering Dept.			Confirmed by :QA Dept.	
Issue Date	Prepared	Checked	Approved	Checked	Approved
March 27, 2007	<i>T. Oudera</i>	<i>H. Yamaguchi</i>	<i>M. Fujitani</i>	<i>S. Higashio</i>	<i>J. Sakaguchi</i>

Revision Record

Date	Designed by: Engineering Dept.			Confirmed by: QA Dept.	
	Prepared	Checked	Approved	Checked	Approved
Rev. No.	Date	Page	Descriptions		

1) Note

		Note		
General	<p>1. Should any defects which are not specified in this standard happen, additional standard shall be determined by mutual agreement between customer and Kyocera.</p> <p>2. Inspection Conditions Luminance : 500 Lux minimum Inspection distance : 300 mm (from the sample) Temperature : 25 ± 5 °C Direction : directly above</p>			
Definition of Inspection item	Dot defect	Bright dot	<p>Defect constantly appears bright, even in display of all "Black" pixels. Count : Visible though 5% transparency of filter. No count : Not visible though 5% transparency of filter.</p> 	
		Black dot	<p>Defect constantly appears black, even in "White" pixels, Size is based on bright dot.</p>	
		Two dots join	<p>Dot join defect is defined as two or more dots which always display a matching brightness, even when each of them is set to different brightness value.</p>  <p>As the above shows, two dot join is defined as defects of two adjoining dots like 'R' and 'G'.</p>	
	External inspection	Bubble, Scratches, Foreign particle (Polarizer, Cell, Backlight)	Visible operating (all pixels "Black" or "White") and non operating.	
	Others	CFL lead wires	Damaged CFL lead wires, functional failure, appearance failure.	
Definition of size	Definition of circle size	Definition of linear size		
				

2) Standard

Classification	Inspection item	Judgement standard		
Dot defect	Bright dot	Acceptable number : 4 bright dots Bright dot spacing : 5 mm or more		
	Black dot	Acceptable number : 5 black dots Black dot spacing : 5 mm or more		
	2 dots join	Bright dot	Acceptable number : 2	
		Black dot	Acceptable number : 3	
	3 or more dots join	Acceptable number : 0		
	Total dot defects	Acceptable number : 5 Max		
External inspection	White dot, Black dot (Circle)	Size(mm)		Acceptable Number
		d<0.2		(neglected)
		0.2<d≤0.4		5
		0.4<d≤0.5		3
		0.5<d		0
		Polarizer(Scratches)	Width(mm)	Length(mm)
W≤0.1	-		(neglected)	
0.1<W≤0.3	L≤5.0		(neglected)	
	5.0<L		0	
0.3<W	-		0	
Polarizer (Bubble, Dent)	Size(mm)		Acceptable Number	
	d<0.2		(neglected)	
	0.2<d≤0.3		5	
	0.3<d≤0.5		3	
	0.5<d		0	
Foreign Particle(Circular shape)	Size(mm)		Acceptable Number	
	d<0.2		(neglected)	
	0.2<d≤0.4		5	
	0.4<d≤0.5		3	
	0.5<d		0	
Foreign Particle(Linear shape),Scratches	Width(mm)	Length(mm)	Acceptable Number	
	W≤0.03	-	(neglected)	
	0.03<W≤0.1	L≤2.0	(neglected)	
		2.0<L≤4.0	3	
		4.0<L	0	
	0.1<W	-	(According to Circular shape)	