

ADSL (ISDN) CENTRAL OFFICE LINE INTERFACE DRIVER/RECEIVER

FEATURES

- **15-V Single Supply Operation**
- **Low 1.1-W Total Power Consumption**
 - 0.9-W Transmit Drivers
 - 0.2-W Receive Channel
- **Active Termination Differential Line Drivers**
 - No Line Matching Resistors Reduces Output Voltage and Power Consumption by up to 50%
- **Integrated Differential Receivers**
- **Includes Analog Filters in Both Transmit and Received Channels**
- **Multiple Power Saving Modes**
 - Bias Current Is Adjustable in 20% Increments to Allow Lower Power Modes for Short Line Lengths

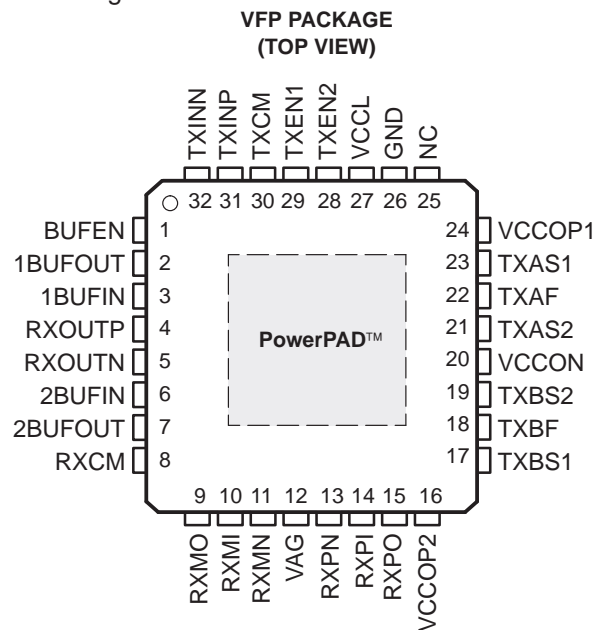
APPLICATIONS

- **Full Rate ADSL Central Office Line Driver/Receiver for ISDN Applications**

DESCRIPTION

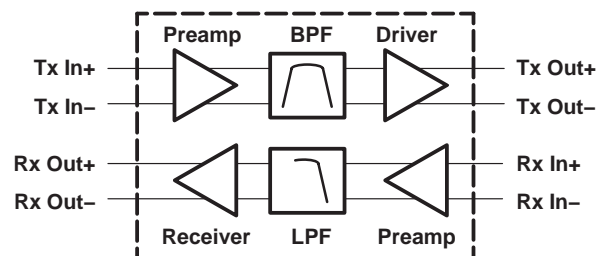
The THS7103 is a low power differential ADSL (ISDN) central office line interface driver/receiver. It features active termination drivers that eliminate the matching resistors required with traditional ADSL line drivers. Removal of the matching resistors allows the THS7103 to output nearly half the output voltage as compared with traditional drivers, resulting in power savings of up to 50%. The lower output voltage levels resulting from the active termination also allow the THS7103 to operate on a single 15-V supply, easing power supply requirements.

The THS7103 also features integrated differential receivers to reduce the component count on multichannel ADSL line cards. To reduce valuable PCB space further, the transmit path integrates a band-pass filter while the receive path integrates a low-pass filter. Four power-saving modes are featured on this device, allowing it to operate at lower power levels for shorter line lengths.



NC – No internal connection

SIMPLIFIED BLOCK DIAGRAM



These devices have limited built-in ESD protection. The leads should be shorted together or the device placed in conductive foam during storage or handling to prevent electrostatic damage to the MOS gates.

Please be aware that an important notice concerning availability, standard warranty, and use in critical applications of Texas Instruments semiconductor products and disclaimers thereto appears at the end of this data sheet.

PowerPAD is a trademark of Texas Instruments.

PRODUCTION DATA information is current as of publication date. Products conform to specifications per the terms of Texas Instruments standard warranty. Production processing does not necessarily include testing of all parameters.

THS7103 Features

Device	Application	Transmit Bandpass Filter†	Receiver Lowpass Filter
THS7103	ADSL (ISDN)	268 kHz to 1.3 MHz	238 kHz

† When used in conjunction with the appropriate input capacitor (see the functional block diagram information)

AVAILABLE OPTIONS

T _A	PACKAGED DEVICES
	PowerPAD (VFP)
0°C to 70°C	THS7103CVFP
-40°C to 85°C	THS7103IVFP

absolute maximum ratings over operating free-air temperature (unless otherwise noted)‡

Supply voltage, V _{CC} , V _{CCOP1} , V _{CCOP2} (see Note 1)	17 V
Input voltage, V _I	GND, V _{CC} , V _{CCOPx}
Output current, I _O (see Note 2):	
Tx outputs	400 mA
Rx outputs	50 mA
BUF outputs	50 mA
Differential input voltage, V _{ID}	±3 V
ESD rating:	
HBM	2 kV
CDM	500 V
MM	200 V
Total power dissipation at (or below) 25°C free-air temperature (see Note 2)	See Dissipation Rating Table
Maximum junction temperature, T _J	150°C
Operating free-air temperature, T _A :	
C-suffix	0°C to 70°C
I-suffix	-40°C to 85°C
Storage temperature, T _{stg}	-65°C to 125°C
Lead temperature 1,6 mm (1/16 in) from case for 10 seconds	300°C

‡ Stresses beyond those listed under “absolute maximum ratings” may cause permanent damage to the device. These are stress ratings only, and functional operation of the device at these or any other conditions beyond those indicated under “recommended operating conditions” is not implied. Exposure to absolute-maximum-rated conditions for extended periods may affect device reliability.

- NOTES: 1. V_{CC} must always be equal to V_{CCOP1} and V_{CCOP2}
 2. The THS7103 incorporates a PowerPAD™ on the underside of the chip. This acts as a heatsink and must be connected to a thermally dissipative plane for proper power dissipation. Failure to do so may result in exceeding the maximum junction temperature which could permanently damage the device.

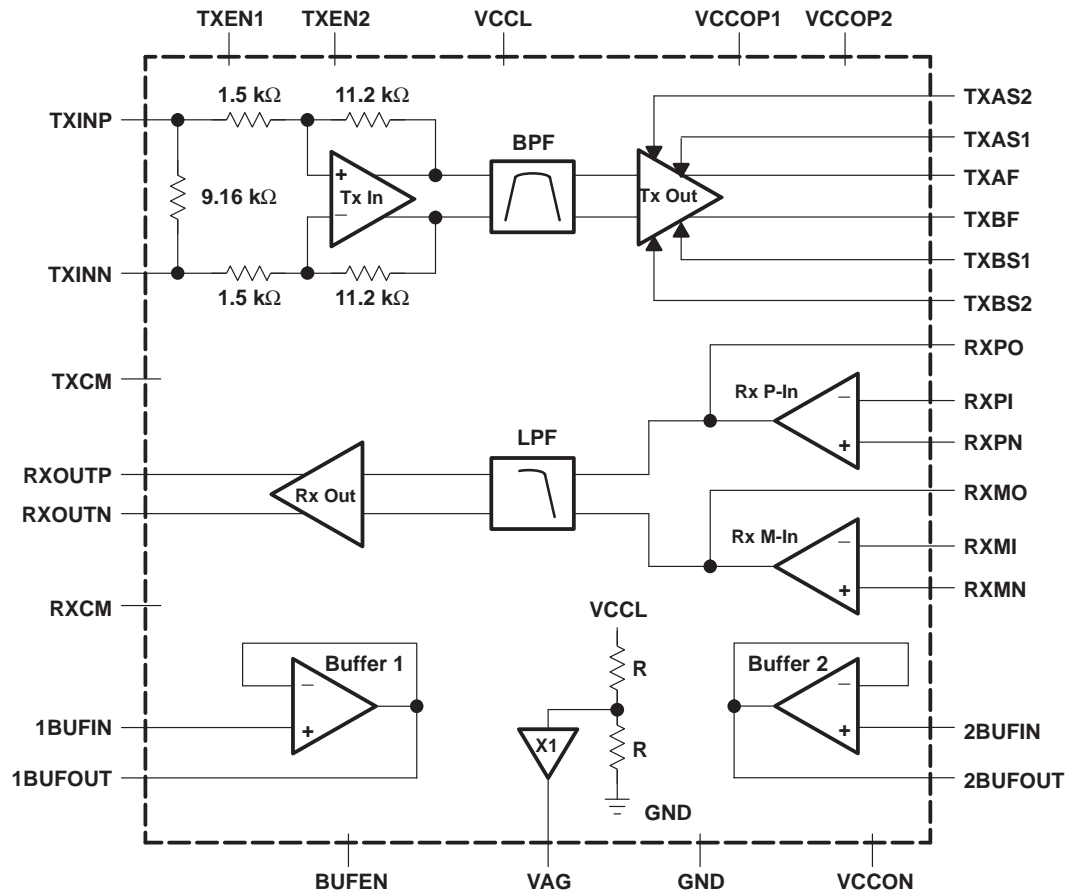
DISSIPATION RATING TABLE§

PACKAGE	θ _{JA} (°C/W)	θ _{JC} (°C/W)	T _A = 25°C¶ POWER RATING	T _A = 70°C¶ POWER RATING	T _A = 85°C¶ POWER RATING
VFP	29.4	0.96	3.57 W	2.04 W	1.53 W

§ This data was taken using 2 oz. trace and copper pad that is soldered directly to a JEDEC standard 4 layer 3 in × 3 in PCB.

¶ The power rating is determined with a junction temperature of 130°C. This is the junction temperature at which distortion begins to substantially increase. Thermal management of the PCB should strive to keep the junction temperature at or below 125°C for the best performance.

functional block diagram



The THS7103 is designed to implement ADSL signals over the same line as ISDN signals at the central office (CO). The THS7103 transmit BPF consists of a low-pass filter and a high-pass filter. The low-pass filter portion of the BPF is comprised of a third order Chebyshev filter with a 0.33-dB passband ripple and a breakpoint frequency of 1.3 MHz. The high-pass portion of the BPF is a 0.33-dB passband ripple Chebyshev with a breakpoint frequency at 268 kHz. This high-pass section requires that a 390-pF capacitor be used at each transmit input (TXINP and TXINN) for the appropriate Chebyshev response. Together the LPF and HPF form a bandpass filter with a passband ripple of about 0.6 dB. The THS7103 receive LPF is comprised of a fourth order Chebyshev filter with a 0.25-dB passband ripple and a breakpoint frequency of 238 kHz.

NOTE:

The definition of breakpoint frequency is the frequency at which the attenuation leaves the ripple band.

Terminal Functions

TERMINAL NAME	NO.	I/O	DESCRIPTION
BUFEN	1	I	Buffer enable – enables buffers 1 and 2
1BUFOUT	2	O	Buffer 1 output
1BUFIN	3	I	Buffer 1 input
2BUFIN	6	I	Buffer 2 input
2BUFOUT	7	O	Buffer 2 output
GND	26	I	Ground
NC	25		No connect
RXCM	8	O	Receive channel common-mode voltage decoupling node
RXMO	9	O	Negative receiver preamp output
RXMI	10	I	Negative receiver preamp inverting input
RXMN	11	I	Negative receiver preamp noninverting input
RXOUTP	4	O	Receive channel positive output
RXOUTN	5	O	Receive channel negative output
RXPI	14	I	Positive receiver preamp inverting input
RXPN	13	I	Positive receiver preamp noninverting input
RXPO	15	O	Positive receiver preamp output
TXAF	22	O	Driver A output
TXBF	18	O	Driver B output
TXAS1	23	I	Driver A sense point 1
TXAS2	21	I	Driver A sense point 2
TXBS1	17	I	Driver B sense point 1
TXBS2	19	I	Driver B sense point 2
TXCM	30	O	Transmit channel common mode decoupling node
TXEN1	29	I	Transmit enable 1
TXEN2	28	I	Transmit enable 2
TXINN	32	I	Transmit channel negative input
TXINP	31	I	Transmit channel positive input
VAG	12	O	Virtual analog ground – is at VCCL/2
VCCL	27	I	V _{CC} to low level circuitry
VCCON	20	I	Output stage negative supply – tie to ground
VCCOPx	24, 16	I	Output stage positive V _{CC} supply

recommended operating conditions

		MIN	NOM	MAX	UNIT
Supply voltage	VCCL, VCCOP1, VCCOP2	7.5	15	16	V
Operating free-air temperature, T _A	I-suffix	-40		85	°C
	C-suffix	0		70	

driver characteristics, VCCL = VCCOPx = 15 V, VCCON = GND, RS = 1.35 Ω, N = 1, RL = 27 Ω†, Cj = 0.1 μF, TA = 25°C

PARAMETER		TEST CONDITIONS	MIN	TYP	MAX	UNIT
RIN-Tx	Input resistance (single-ended)		1.13	1.16	1.19	kΩ
VA	Output voltage	f = 1 MHz, THD ≤ -31 dBc	23.8	24.4		Vpp
VA/VIN	Gain (see Note 3 and Figure 1)	f = 1 MHz	19.0	19.5	19.8	dB
		f ≅ 270 kHz (Peak frequency)	22.2	22.5	22.8	
VB/VIN		f = 1 MHz	18.2	18.7	19	dB
		f ≅ 270 kHz (Peak frequency)	21.4	21.7	22	
	Differential output noise	200 kHz		85		nV/√Hz
Zo	Output impedance‡	f = 20 kHz to 1.1 MHz		†		Ω
	Filter corner frequency	HPF, Cj = 0.1 μF	178	190	202	kHz
		LPF	1.15	1.4	1.65	MHz
	Out of band rejection (relative to the input signal)	VO at f = 40 kHz, Cj = 0.1 μF	-10	-14		dB
		VO at f = 6 MHz	-17.5	-20.5		
	Channel-to-channel mismatch	f = 200 kHz to 800 kHz	-0.15	0	0.35	dB
		f = 900 kHz to 1.1 MHz	-0.15	0.2	0.5	
ICCL	Supply current	Off, TXEN1 = 0, TXEN2 = 0	0.7	1	1.3	mA
		Low, TXEN1 = 1, TXEN2 = 0	13.1	14.6	16.1	
		Med., TXEN1 = 1, TXEN2 = 1	13.3	14.8	16.3	
		High, TXEN1 = 0, TXEN2 = 1	13.5	15	16.5	
ICCOPI	Supply current	Off, TXEN1 = 0, TXEN2 = 0	0	0.6	1.1	mA
		Low, TXEN1 = 1, TXEN2 = 0	1.7	2.7	3.7	
		Med., TXEN1 = 1, TXEN2 = 1	6	7.5	9	
		High, TXEN1 = 0, TXEN2 = 1	11	13	15	

† The test circuit of RS = 1.35 Ω, N = 1, and RL = 27 Ω is equivalent to a standard ADSL circuit with RS = 1.35 Ω, N = 1.9, and RL = 100 Ω.

‡ Output impedance is given by Zo = 10 × RS.

NOTES: 3. Due to the gain of the transmit path, the maximum input voltage should not exceed 3 Vpp or clipping and distortion occurs.

receiver characteristics, VCCL = VCCOPx = 15 V, VCCON = GND, RS = 1.35 Ω, N = 1, RL = 3.9 kΩ, RF = 5 kΩ, Gain = 26 dB, TA = 25°C

PARAMETER		TEST CONDITIONS	MIN	TYP	MAX	UNIT
VO	Output voltage	Vl = 1 Vpp, f = 200 kHz	19	20		Vpp
	Output noise	At f = 200 kHz		73		nV/√Hz
Vn	Noise voltage (preamp input noise)	f = 20 kHz		2.3		nV/√Hz
In	Noise current (preamp input noise)	f = 20 kHz		1.0		pA/√Hz
	Filter corner frequency	Vl = 0.5 Vpp	223.7	238	252.3	kHz
	Out of band rejection (relative to input point A) See Figure 1	VO at f = 400 kHz		-6		dB
	In-band ripple	VO at f = 55 kHz and 103.5 kHz		0.2	0.5	dB
	Channel-to-channel mismatch	f = 10 kHz to 145 kHz	-0.15	0	0.15	dB

transmit enable characteristics (TXEN1, TXEN2), VCCL = VCCOPx = 15 V, VCCON = GND, R_S = 1.35 Ω, N = 1, T_A = 25°C

BUFEN	TXEN1	TXEN2	FUNCTION	DESCRIPTION
X	0	0	Tx OFF	Device completely powered down
X	0	1	Tx ON – 100% bias	Full power
X	1	1	Tx ON – Medium bias	Medium power
X	1	0	Tx ON – Low bias	Low power
0	X	X	Buffers off	Conserves power when buffers are not required
1	X	X	Buffers enabled	Useful for extra RX filtering

NOTE: The default state shall be a logic one (1).

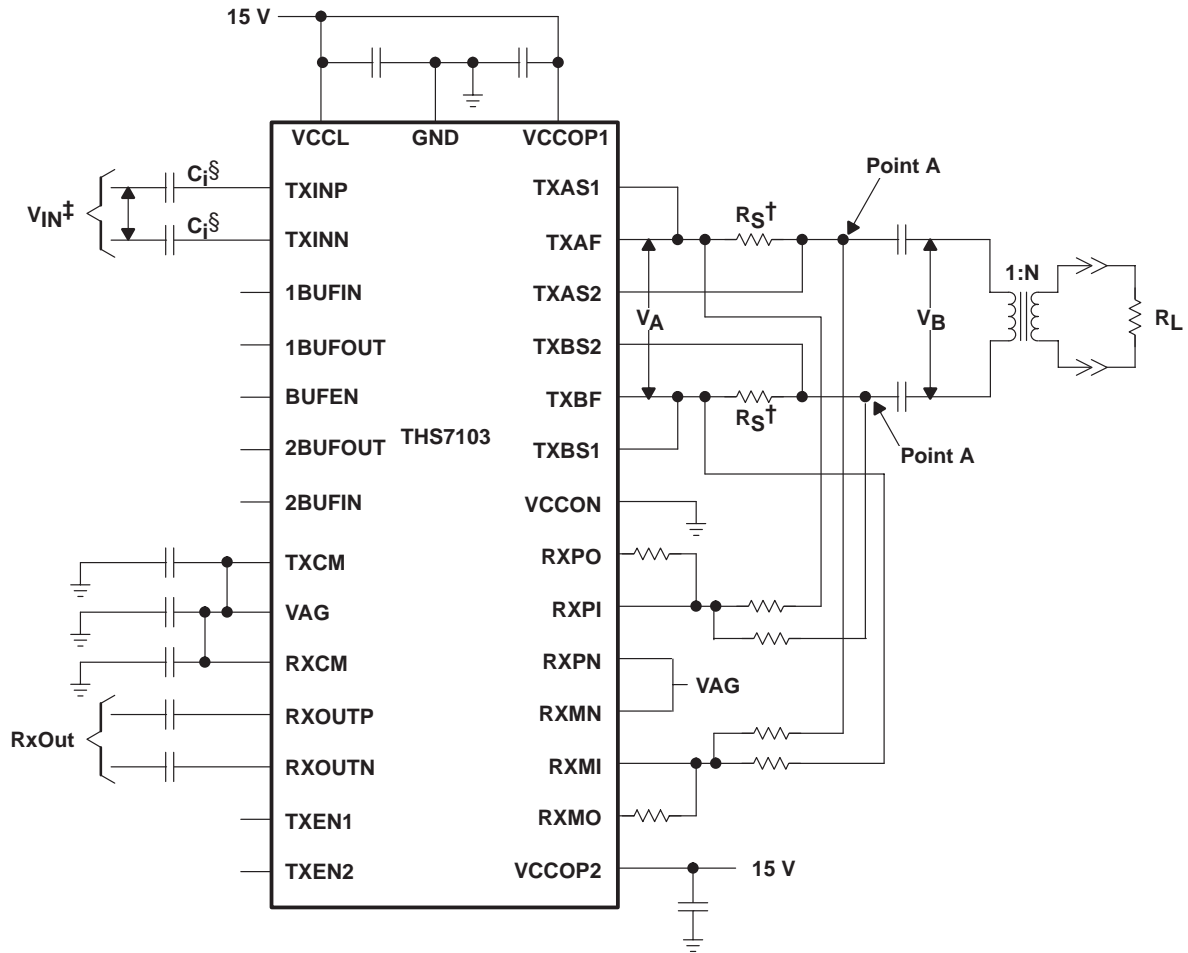
logic control characteristics, VCCL = VCCOPx = 15 V, VCCON = GND, R_S = 1.35 Ω, N = 1, T_A = 25°C

PARAMETER		TEST CONDITIONS	MIN	TYP	MAX	UNIT
I _{IH}	TXEN1	V _{TXEN1} = 5 V	-5	0	5	μA
	TXEN2	V _{TXEN2} = 5 V	-5	0	5	
	BUFEN	V _{BUFEN} = 5 V	-5	0	5	
I _{IL}	TXEN1	V _{TXEN1} = 0 V	-70	-50	-30	μA
	TXEN2	V _{TXEN2} = 0 V	-70	-55	-30	
	BUFEN	V _{BUFEN} = 0 V	-70	-50	-30	
V _{IH}	All logic control pins			≥2.3		V
V _{IL}	All logic control pins			≤0.8		V

miscellaneous characteristics, VCCL = VCCOPx = 15 V, VCCON = GND, R_S = 1.35 Ω, N = 1, T_A = 25°C

PARAMETER		TEST CONDITIONS	MIN	TYP	MAX	UNIT
V _O	Output voltage, VAG		7.4	7.5	7.6	V
V _O	Output voltage, buffer	V _I = 7.5 V	7.0	7.5	8.0	V

APPLICATION INFORMATION



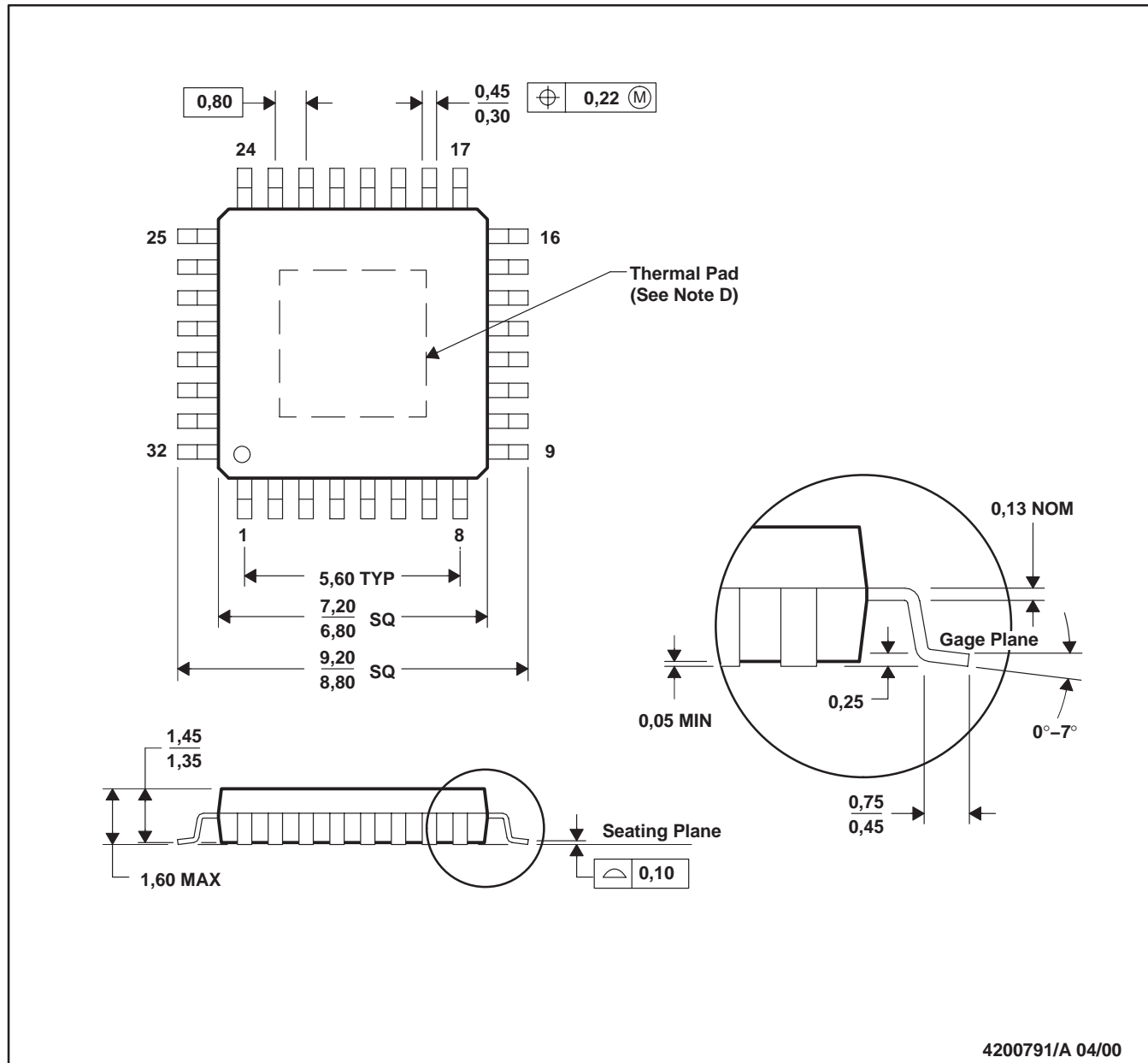
† Output impedance of transmit driver at point A = $10 \times R_S$
 ‡ Maximum input of $V_{IN} = 3 V_{pp}$.
 § In ADSL systems, it is recommended to use $C_i = 390 \text{ pF}$ for the THS7103. For testing purposes, use $C_i = 0.1 \text{ }\mu\text{F}$.

Figure 1. Typical THS7103 Circuit Configuration

MECHANICAL DATA

VFP (S-PQFP-G32)

PowerPAD™ PLASTIC QUAD FLATPACK



- NOTES: A. All linear dimensions are in millimeters.
 B. This drawing is subject to change without notice.
 C. Body dimensions do not include mold flash or protrusion.
 D. The package thermal performance may be enhanced by bonding the thermal pad to an external thermal plane. This pad is electrically and thermally connected to the backside of the die and possibly selected leads.
 E. Falls within JEDEC MS-026

PowerPAD is a trademark of Texas Instruments.

IMPORTANT NOTICE

Texas Instruments Incorporated and its subsidiaries (TI) reserve the right to make corrections, modifications, enhancements, improvements, and other changes to its products and services at any time and to discontinue any product or service without notice. Customers should obtain the latest relevant information before placing orders and should verify that such information is current and complete. All products are sold subject to TI's terms and conditions of sale supplied at the time of order acknowledgment.

TI warrants performance of its hardware products to the specifications applicable at the time of sale in accordance with TI's standard warranty. Testing and other quality control techniques are used to the extent TI deems necessary to support this warranty. Except where mandated by government requirements, testing of all parameters of each product is not necessarily performed.

TI assumes no liability for applications assistance or customer product design. Customers are responsible for their products and applications using TI components. To minimize the risks associated with customer products and applications, customers should provide adequate design and operating safeguards.

TI does not warrant or represent that any license, either express or implied, is granted under any TI patent right, copyright, mask work right, or other TI intellectual property right relating to any combination, machine, or process in which TI products or services are used. Information published by TI regarding third-party products or services does not constitute a license from TI to use such products or services or a warranty or endorsement thereof. Use of such information may require a license from a third party under the patents or other intellectual property of the third party, or a license from TI under the patents or other intellectual property of TI.

Reproduction of TI information in TI data books or data sheets is permissible only if reproduction is without alteration and is accompanied by all associated warranties, conditions, limitations, and notices. Reproduction of this information with alteration is an unfair and deceptive business practice. TI is not responsible or liable for such altered documentation. Information of third parties may be subject to additional restrictions.

Resale of TI products or services with statements different from or beyond the parameters stated by TI for that product or service voids all express and any implied warranties for the associated TI product or service and is an unfair and deceptive business practice. TI is not responsible or liable for any such statements.

TI products are not authorized for use in safety-critical applications (such as life support) where a failure of the TI product would reasonably be expected to cause severe personal injury or death, unless officers of the parties have executed an agreement specifically governing such use. Buyers represent that they have all necessary expertise in the safety and regulatory ramifications of their applications, and acknowledge and agree that they are solely responsible for all legal, regulatory and safety-related requirements concerning their products and any use of TI products in such safety-critical applications, notwithstanding any applications-related information or support that may be provided by TI. Further, Buyers must fully indemnify TI and its representatives against any damages arising out of the use of TI products in such safety-critical applications.

TI products are neither designed nor intended for use in military/aerospace applications or environments unless the TI products are specifically designated by TI as military-grade or "enhanced plastic." Only products designated by TI as military-grade meet military specifications. Buyers acknowledge and agree that any such use of TI products which TI has not designated as military-grade is solely at the Buyer's risk, and that they are solely responsible for compliance with all legal and regulatory requirements in connection with such use.

TI products are neither designed nor intended for use in automotive applications or environments unless the specific TI products are designated by TI as compliant with ISO/TS 16949 requirements. Buyers acknowledge and agree that, if they use any non-designated products in automotive applications, TI will not be responsible for any failure to meet such requirements.

Following are URLs where you can obtain information on other Texas Instruments products and application solutions:

Products

Amplifiers	amplifier.ti.com
Data Converters	dataconverter.ti.com
DSP	dsp.ti.com
Clocks and Timers	www.ti.com/clocks
Interface	interface.ti.com
Logic	logic.ti.com
Power Mgmt	power.ti.com
Microcontrollers	microcontroller.ti.com
RFID	www.ti-rfid.com
RF/IF and ZigBee® Solutions	www.ti.com/lprf

Applications

Audio	www.ti.com/audio
Automotive	www.ti.com/automotive
Broadband	www.ti.com/broadband
Digital Control	www.ti.com/digitalcontrol
Medical	www.ti.com/medical
Military	www.ti.com/military
Optical Networking	www.ti.com/opticalnetwork
Security	www.ti.com/security
Telephony	www.ti.com/telephony
Video & Imaging	www.ti.com/video
Wireless	www.ti.com/wireless

Mailing Address: Texas Instruments, Post Office Box 655303, Dallas, Texas 75265
Copyright © 2008, Texas Instruments Incorporated