



## TIP140 – TIP141 – TIP142

### NPN SILICON DARLINGTONS, SILICON POWER TRANSISTORS

They are silicon epitaxial-base NPN transistors in monolithic Darlington configuration and are mounted in TO-3PN plastic package.

They are intended for use in power linear and switching application.

The complementary are TIP145, TIP146, TIP147.

Compliance to RoHS

#### ABSOLUTE MAXIMUM RATINGS

Symbol	Ratings		Value	Unit
$V_{CEO}$	Collector-Emitter Voltage	TIP140	60	V
		TIP141	80	
		TIP142	100	
$V_{CBO}$	Collector-Base Voltage	TIP140	60	V
		TIP141	80	
		TIP142	100	
$V_{EBO}$	Emitter-Base Voltage		5.0	V
$I_C$	Collector Current	$I_C$	10	A
		$I_{CM}$	15	
$I_B$	Base Current		0.5	A
$P_T$	Power Dissipation	@ $T_{mb} = 25^\circ C$	125	Watts
$T_J$	Junction Temperature		150	$^\circ C$
$T_S$	Storage Temperature		-65 to +150	

#### THERMAL CHARACTERISTICS

Symbol	Ratings	Value	Unit
$R_{thJ-mb}$	Thermal Resistance Junction - Case	1	$^\circ C / W$

## TIP140 – TIP141 – TIP142

### ELECTRICAL CHARACTERISTICS

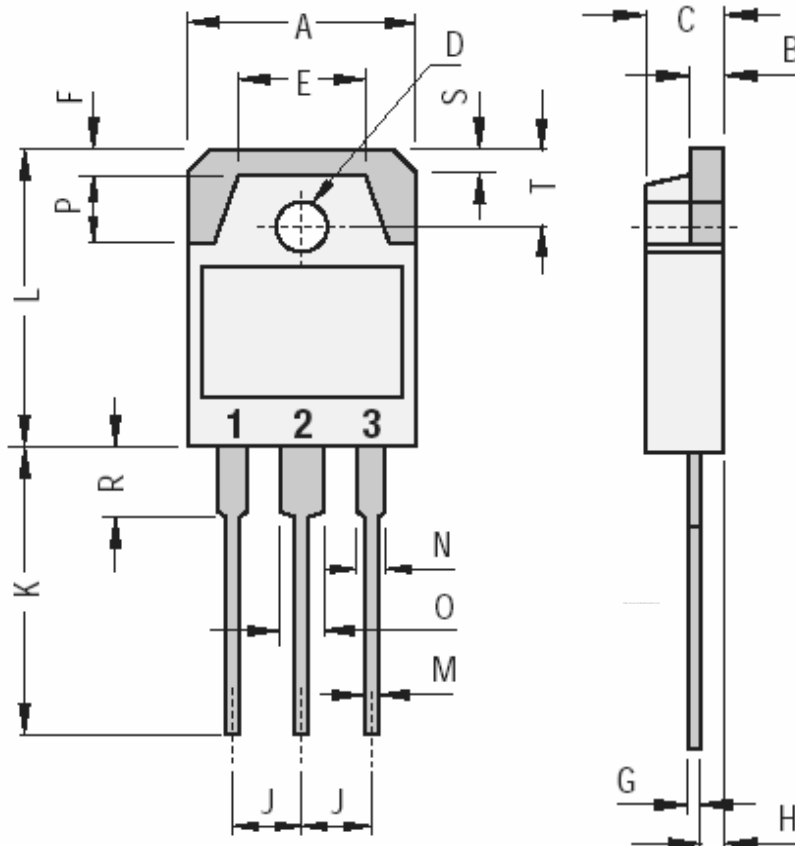
TC=25°C unless otherwise noted

Symbol	Ratings	Test Condition(s)		Min	Typ	Max	Unit
$I_{CEO}$	Collector Cutoff Current $I_B = 0$	$V_{CE} = 30\text{ V}$	TIP140	-	-	2	mA
		$V_{CE} = 40\text{ V}$	TIP141	-	-		
		$V_{CE} = 50\text{ V}$	TIP142	-	-		
$I_{EBO}$	Emitter Cutoff Current $I_C = 0$	$V_{BE} = 5\text{ V}$	TIP140	-	-	2	mA
			TIP141	-	-		
			TIP142	-	-		
$I_{CBO}$	Collector Cutoff Current $I_E = 0$	$V_{CB} = 60\text{ V}$	TIP140	-	-	1	mA
		$V_{CB} = 80\text{ V}$	TIP141	-	-		
		$V_{CB} = 100\text{ V}$	TIP142	-	-		
$V_{CE0(SUS)}$	Collector-Emitter Sustaining $I_B = 0$	$I_C = 30\text{ mA}$	TIP140	60	-	-	V
			TIP141	80	-	-	
			TIP142	100	-	-	
$h_{FE}$	DC Current Gain (*)	$V_{CE} = 4\text{ V}$ $I_C = 5\text{ A}$		1000	-	-	-
		$V_{CE} = 4\text{ V}$ $I_C = 10\text{ A}$		500	-	-	
$V_{CE(SAT)}$	Collector-Emitter saturation Voltage (*)	$I_C = 5\text{ A}$ $I_B = 10\text{ mA}$	TIP140	-	-	2	V
			TIP141				
			TIP142				
		$I_C = 10\text{ A}$ $I_B = 40\text{ mA}$	TIP140	-	-	3	
			TIP141				
			TIP142				
$V_{BE}$	Base-Emitter Voltage (*)	$V_{CE} = 4\text{ V}$ $I_C = 10\text{ A}$	TIP140	-	-	3	V
			TIP141				
			TIP142				
$V_F$	Parallel Diode forward voltage	$I_F = 10\text{ A}$		-	-	3.5	V
$t_{on}$	Turn-on Time	$V_{BE(off)} = -4.2\text{ V}$ $I_C = 10\text{ A}, R_L = 3\ \Omega$		-	0.9	-	$\mu\text{s}$
$t_{off}$	Turn-on Time	$I_{B(on)} = 40\text{ mA}$ $I_{B(off)} = -40\text{ mA}$		-	11	-	

(\*) Pulse Width = 200  $\mu\text{s}$ , Duty Cycle  $\leq 1.5\%$

## TIP140 – TIP141 – TIP142

### MECHANICAL DATA CASE TO3PN Non Isolated Plastic Package



DIMENSIONS (mm)		
	Min.	Max.
A	15.20	1600
B	1.90	2.10
C	4.60	5.00
D	3.10	3.30
E		9.60
F		2.00
G	0.35	0.55
H		1.40
J	5.35	5.55
K	20.00	
L	19.60	20.20
M	0.95	1.25
N		2.00
O		3.00
P		4.00
R		4.00
S		1.80
T	4.80	5.20

Pin 1 :	Base
Pin 2 :	Collector
Pin 3 :	Emitter
Case :	Collector

September 2012

Information furnished is believed to be accurate and reliable. However, Comset Semiconductors assumes no responsibility for the consequences of use of such information nor for any infringement of patents or other rights of third parties which may result from its use. Data are subject to change without notice. Comset Semiconductors makes no warranty, representation or guarantee regarding the suitability of its products for any particular purpose, nor does Comset Semiconductors assume any liability arising out of the application or use of any product and specifically disclaims any and all liability, including without limitation consequential or incidental damages. Comset Semiconductors' products are not authorized for use as critical components in life support devices or systems.