

TK10690, TK10691

Compressor, Expander
コンプレッサ、エキスパンダ

Feature

- Excellent Frequency Response: BW=20kHz
- Wide Dynamic Range: typ=100dB
- Operating Voltage Range $V_{OP}=1.8$ to $+7.0V$
- Operating Temp. Range $T_{OP}=-20$ to $+70^{\circ}C$
- 優れた周波数特性: BW=20kHz
- 広いダイナミックレンジ: typ=100dB
- 動作電圧範囲 $V_{OP}=1.8 \sim 7.0V$
- 動作温度範囲 $T_{OP}=-20 \sim +70^{\circ}C$

Electrical Characteristics

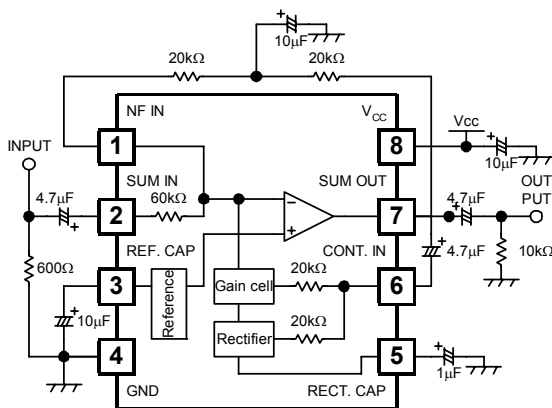
Part Name	Ch	Band Width	Dynamic Range	Package	Function
TK10690	1ch	20kHz	100dB	SOP-8	Compressor
TK10691	1ch	20kHz	100dB	SOP-8	Expander

Ordering Guide, Marking

Part Name	Ordering Name	Marking	Description	Order Size
TK10690	TK10690MTL-G		TK10690: Part Name M: SOT23-5 Package TL: Tape&Reel, Left -G: PB-Free	1,000 pcs./Reel
TK10691	TK10691MTL-G		TK10691: Part Name M: SOT23-5 Package TL: Tape&Reel, Left -G: PB-Free	1,000 pcs./Reel

Pin Layout, Block Diagram

■ TK10690



■ TK10691

