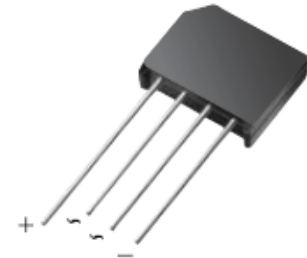


## 4A Bridge Rectifier

### Features

- Ideal for printed circuit boards
- Low forward voltage drop
- High current capability
- High reliability
- High surge current capability
- High temperature soldering guaranteed: 260°C/10 seconds  
1.375"(9.5mm) lead length at 5lbs., (2.3kg) tension



TL

### Mechanical Data

<b>Case:</b>	TL, molded plastic
<b>Epoxy:</b>	Plastic package has UL flammability 94V-0
<b>Terminals:</b>	Plated leads solderable per MIL-STD-202, Method 208
<b>Polarity:</b>	As marked on body
<b>Weight:</b>	5.6 gram

### Maximum Ratings And Electrical Characteristics (T<sub>amb</sub>=25°C)

Symbol	Description	TL4010	Unit	Conditions
<b>V<sub>RRM</sub></b>	Max. Repetitive Peak Reverse Voltage	1000	V	
<b>V<sub>RMS</sub></b>	Max. RMS Voltage	700	V	
<b>V<sub>DC</sub></b>	Max. DC Blocking Voltage	1000	V	
<b>I<sub>F(AV)</sub></b>	Max. Average Forward Current	4.0	A	T <sub>A</sub> =50°C
<b>I<sub>FSM</sub></b>	Peak Forward Surge Current	200	A	8.3ms single half sine-wave superimposed on rated load (JEDEC Method)

Symbol	Description	TL4010	Unit	Conditions
V <sub>F</sub>	Max. Instantaneous Forward Voltage drop per leg	1.1	V	I <sub>F</sub> =4.0A
I <sub>R</sub>	Maximum DC Reverse Current at Rated DC Blocking Voltage per leg	5.0	μA	T <sub>A</sub> =25°C
		1.0	mA	T <sub>A</sub> =125°C
I <sup>2</sup> t	Rating for Fusing (t<8.3ms)	166	A <sup>2</sup> s	Note 1
R <sub>thJA</sub>	Typical Thermal Resistance per leg	19	°C / W	Note 2
R <sub>thJL</sub>		2.4		Note 3
T <sub>J</sub> , T <sub>STG</sub>	Operating Junction and Storage Temperature Range	-50 to +150	°C	

**Note:** 1. Non-repetitive for t > 1ms and < 8.3ms.

2. Thermal resistance from junction to ambient with units mounted on 3.0 x 3.0 x 0.11" thick (75 x 75 x 3.0mm) Al. plate.

3. Thermal resistance from junction to lead with units mounted on P.C.B. at 0.375" (9.5mm) lead length with 0.5 x 0.5" (12 x 12mm) copper pads.

### Typical Characteristics Curves

Fig.1-Max. Forward Current Derating Curve

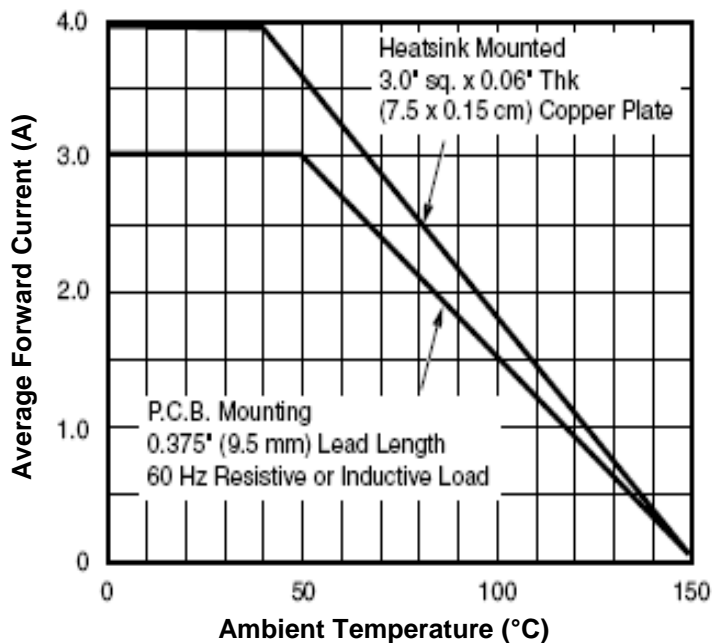
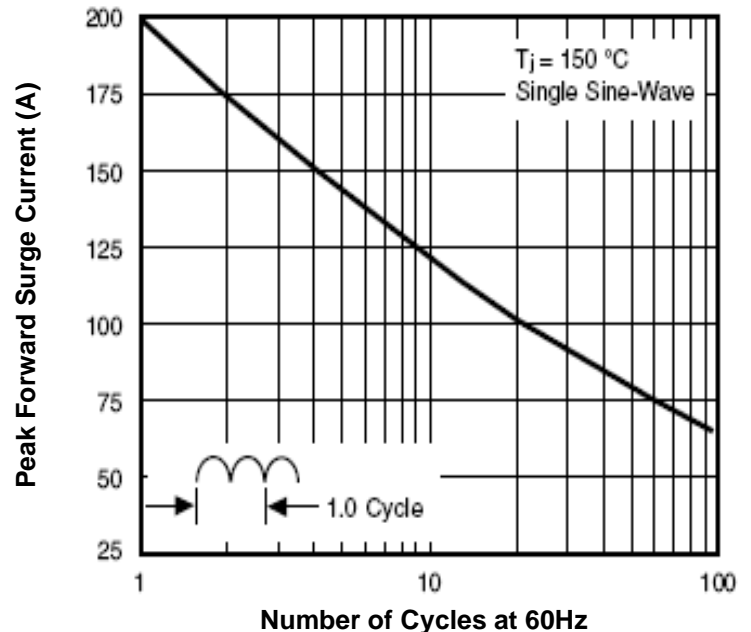
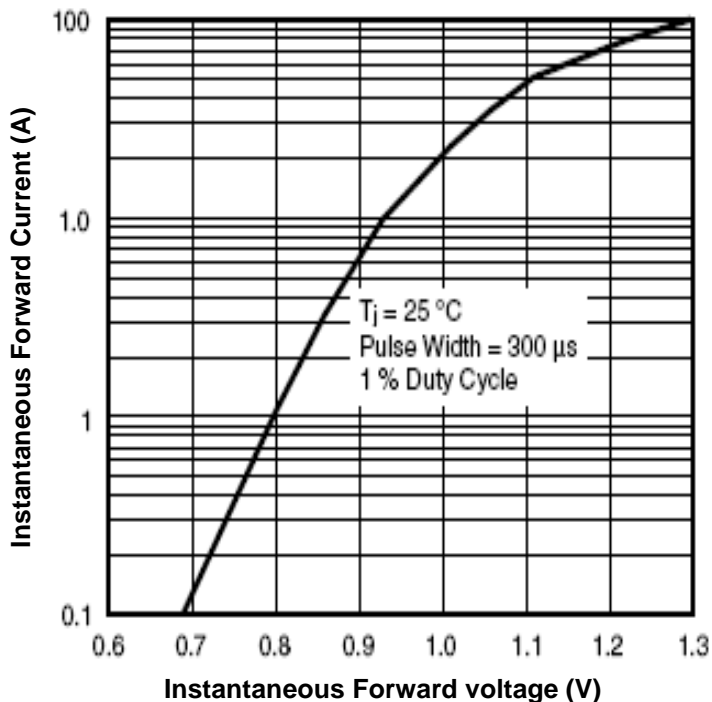


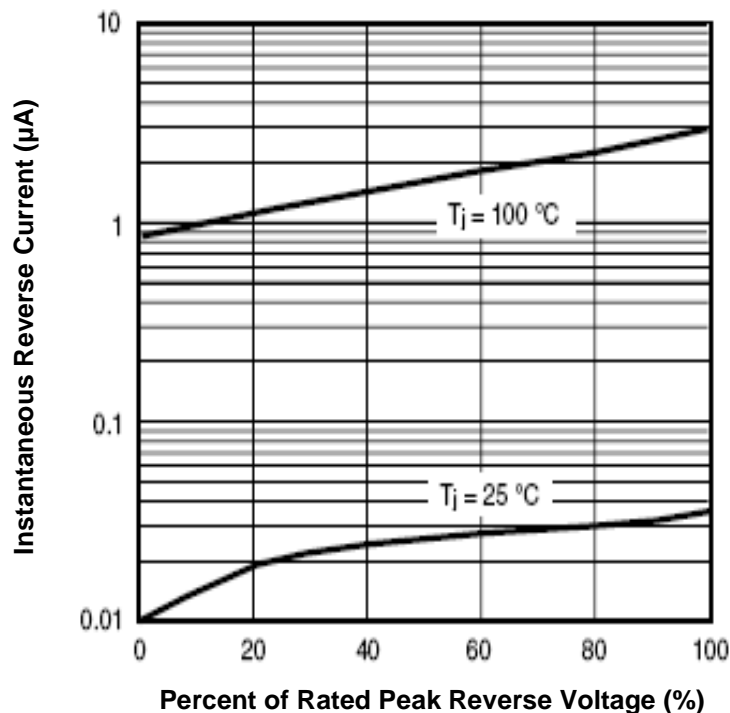
Fig.2-Max. Non-repetitive Peak Forward Surge Current per leg



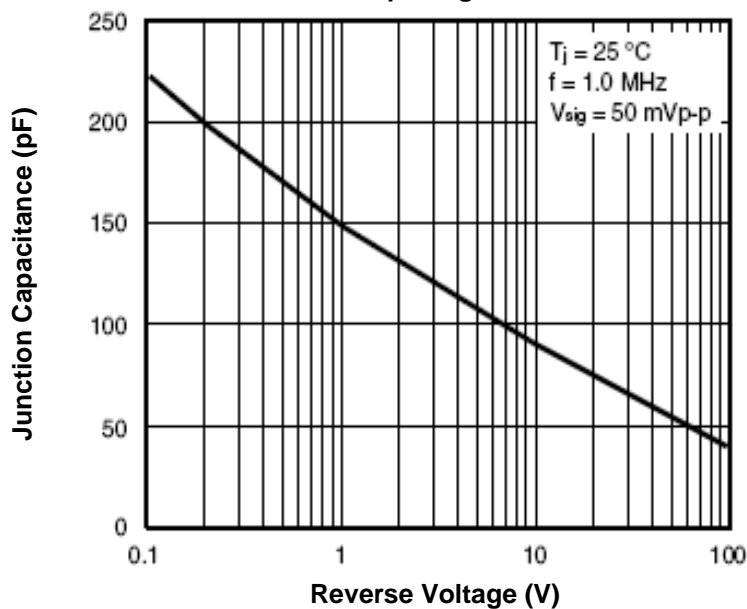
**Fig.3-Typical Instantaneous Forward Characteristic per leg**



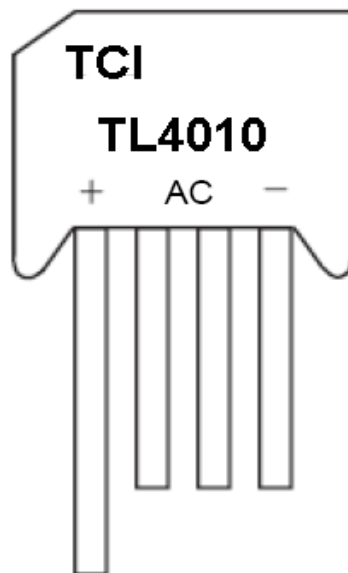
**Fig.4-Typical Reverse Characteristics per leg**



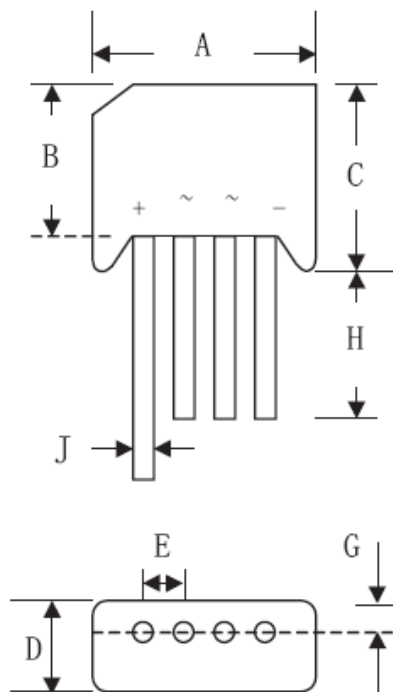
**Fig.5- Typical Junction Capacitance per leg**



### Marking Information:



### Dimensions in mm



Dim	Min	Max
A	18.50	19.50
B	13.70	14.70
C	15.20	16.30
D	6.00	6.50
E	4.60	5.60
G	—	2.10
H	19.00	—
J	1.20 Ø	1.30 Ø

TL

### How to contact us

#### **USA HEADQUARTERS**

28040 WEST HARRISON PARKWAY, VALENCIA, CA 91355-4162

Tel: (800)-TAITRON (800)-824-8766 (661)-257-6060

Fax: (800)-TAITFAX (800)-824-8329 (661)-257-6415

Email: [taitron@taitroncomponents.com](mailto:taitron@taitroncomponents.com)

Http://[www.taitroncomponents.com](http://www.taitroncomponents.com)

#### **TAITRON COMPONENTS INCORPORATED TAIWAN BRANCH**

6F., NO.190, SEC. 2, ZHONGXING RD., XINDIAN DIST., NEW TAIPEI CITY 23146, TAIWAN R.O.C.

Tel: 886-2-2913-6238

Fax: 886-2-2913-6239

#### **TAITRON COMPONENT TECHNOLOG SHANGHAI CORPORATION**

SUITE 1503, METROBANK PLAZA, 1160 WEST YAN'AN ROAD, SHANGHAI, 200052, CHINA

Tel: +86-21-5424-9942

Fax: +86-21-2302-5027