

1-A DC Motor Driver

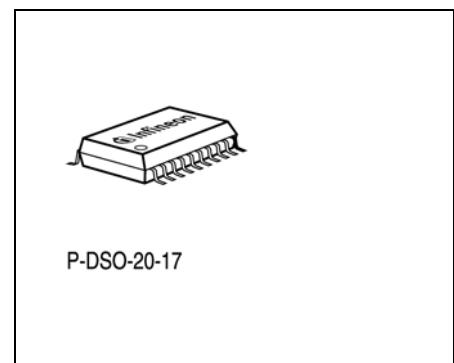
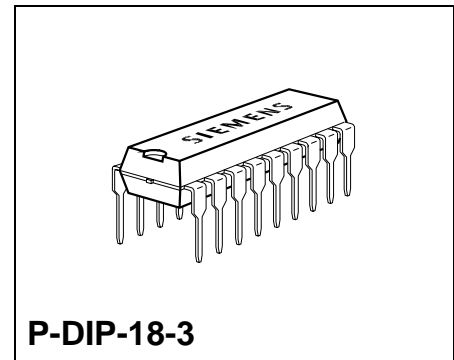
TLE 4205

Overview

Bipolar IC

Features

- Max. driver current 1 A
- Integrated free-wheeling diodes
- Short-circuit proof to ground
- Inhibit
- ESD protected inputs
- Temperature range $-40\text{ °C} \leq T_j \leq 150\text{ °C}$



Type	Ordering Code	Package
TLE 4205	Q67000-A9025	P-DIP-18-3
TLE 4205 G	Q67006-A9114	P-DSO-20-17

Description

TLE 4205 is an integrated power full-bridge DC-motor driver for a wide temperature range, as required in automotive applications for example. The circuit contains two power comparators that can be combined to a full-bridge circuit. For inductive loads there are integrated free-wheeling diodes to $+V_S$ and ground. The outputs are short-circuit proof up to 18 V supply voltage to ground and turn off when overtemperature occurs. This IC is especially suitable for headlight-beam adjustment in automobiles.

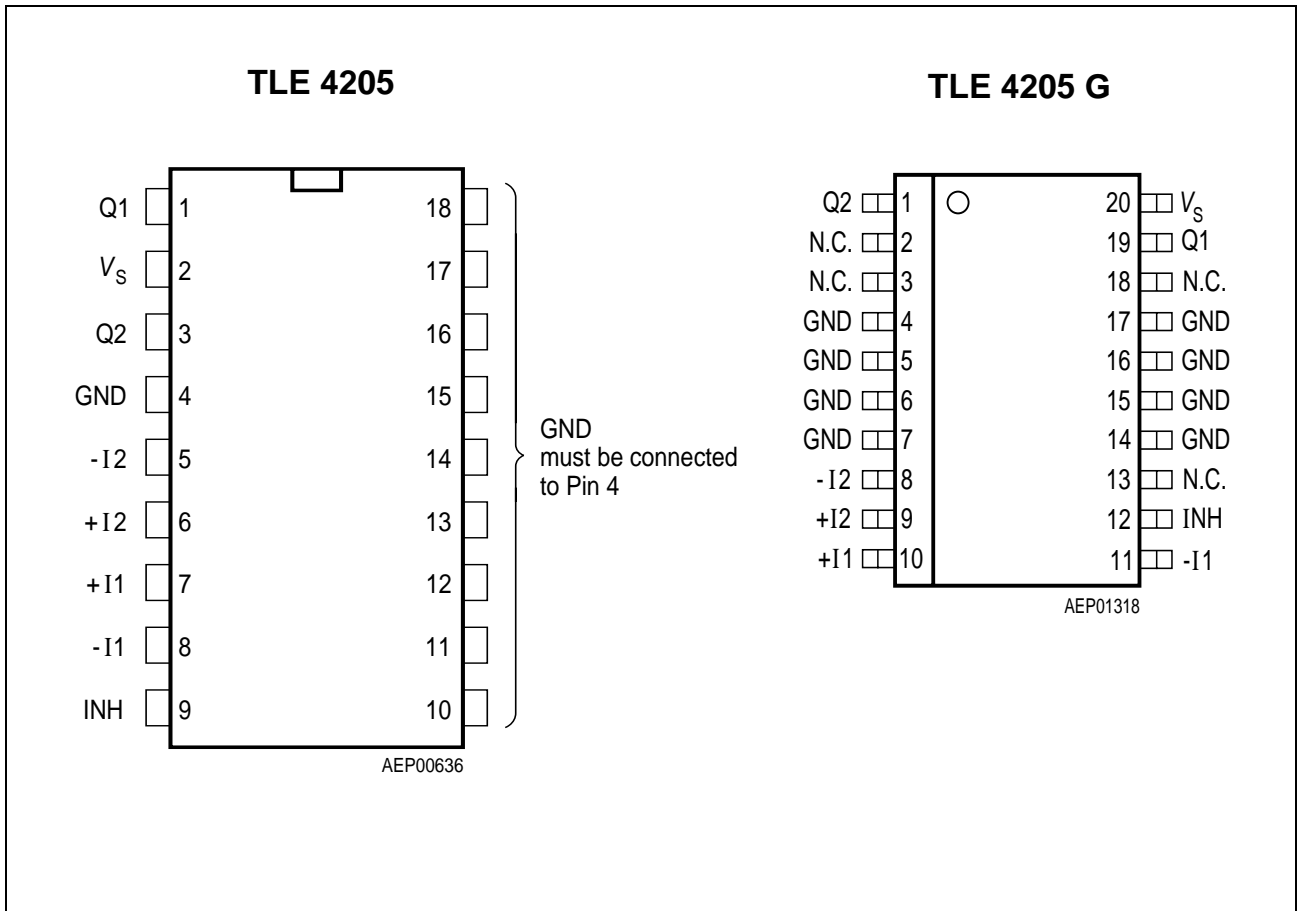


Figure 1 Pin Configuration (top view)

Pin Definitions and Functions

Pin No.	Symbol	Function
1	Q1	Output Q1 of channel 1; push-pull B output with DC short-circuit protection to ground. Integrated free-wheeling diodes to ground and the supply voltage.
2	V_S	Supply voltage V_S; must be blocked to ground with a ceramic capacitor of at least 100 nF directly on the pins of the IC.
3	Q2	Output Q2 of channel 2; see pin 1.
4	GND	Ground
5	- I2	Inverting input channel 2; to be wired according to general rules.
6	+ I2	Non-inverting input channel 2; to be wired according to general rules.
7	+ I1	Non-inverting input channel 1; see pin 6.
8	- I1	Inverting input channel 1; see pin 5.
9	INH	Inhibit; the IC is passive when this pin is open or connected to ground.
10-18	GND	Ground; must be connected to pin 4.

Pin Definitions and Functions (TLE 4205 G)

Pin No.	Symbol	Function
1	Q2	Output 2 of channel 2; push-pull B output with DC short-circuit protection to ground. Integrated free-wheeling diodes to ground and the supply voltage.
2	N.C.	Not connected
3	N.C.	Not connected
4-7	GND	Ground
8	- I2	Inverting input channel 2; to be wired according to general rules.
9	+ I2	Non-inverting input channel 2; to be wired according to general rules.
10	+ I1	Non-inverting input channel 1; see pin 9.
11	- I1	Inverting input channel 1; see pin 8.
12	INH	Inhibit; the IC is passive when this pin is open or connected to ground.
13	N.C.	Not connected
14-17	GND	Ground
18	N.C.	Not connected
19	Q1	Output Q1 of channel 1, see pin 1.
20	V_S	Supply voltage V_S; must be blocked with a ceramic capacitor of at least 100 nF directly on the pins of the IC.

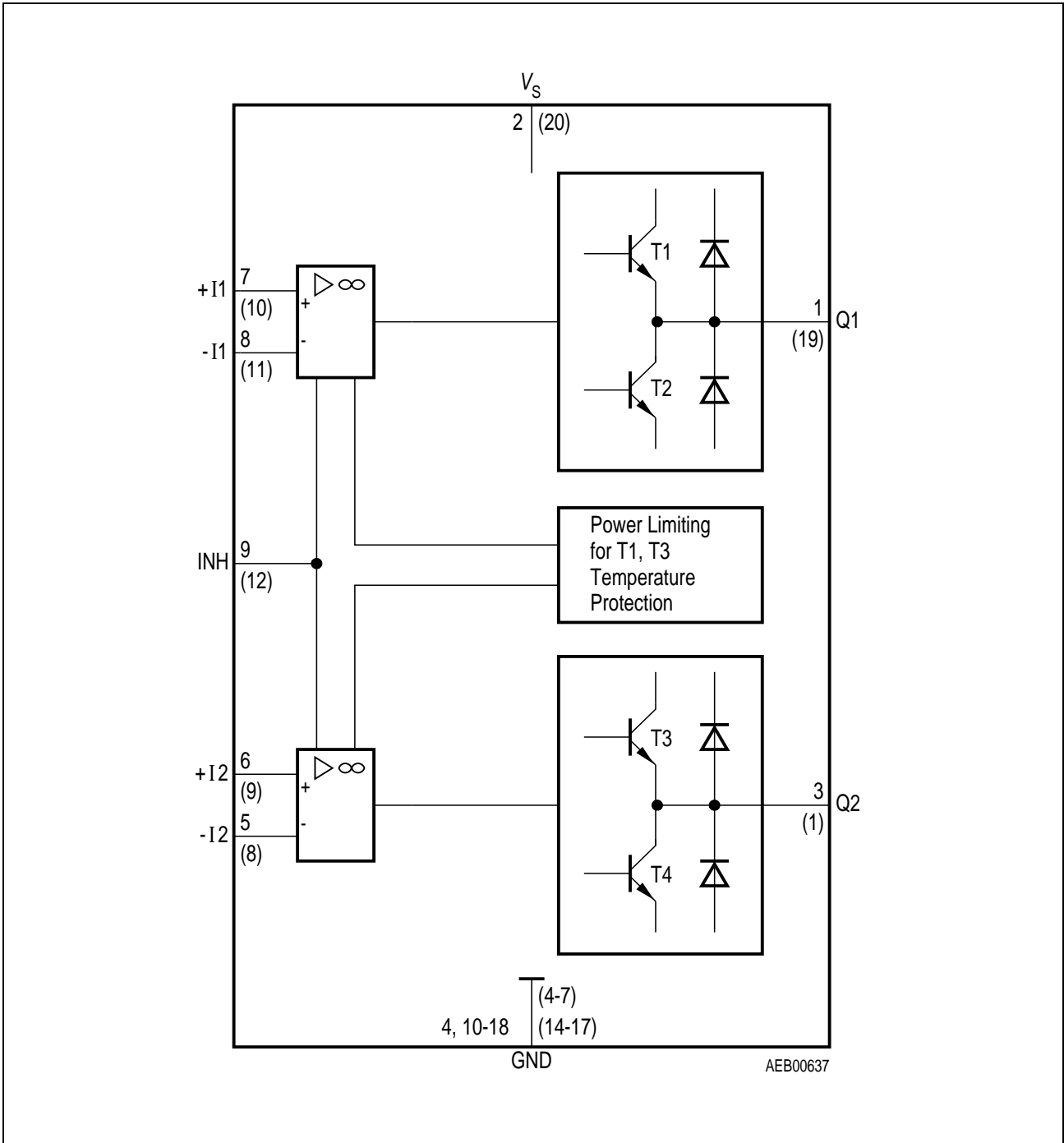


Figure 2 Block Diagram

Circuit Description

The IC contains two amplifiers with typical open-loop gain of 80 dB at 500 Hz.

The input stages consist of PNP-differential amplifiers. This produces a common-mode input range of 0 V to nearly V_S and a maximum differential input voltage of V_S . The IC is guarded against ground shorts by an SOA-protective circuit. The output transistors are turned off if the chip temperature exceeds approx. 160 °C. The IC can be turned off by an inhibit input, which very much reduces current consumption.

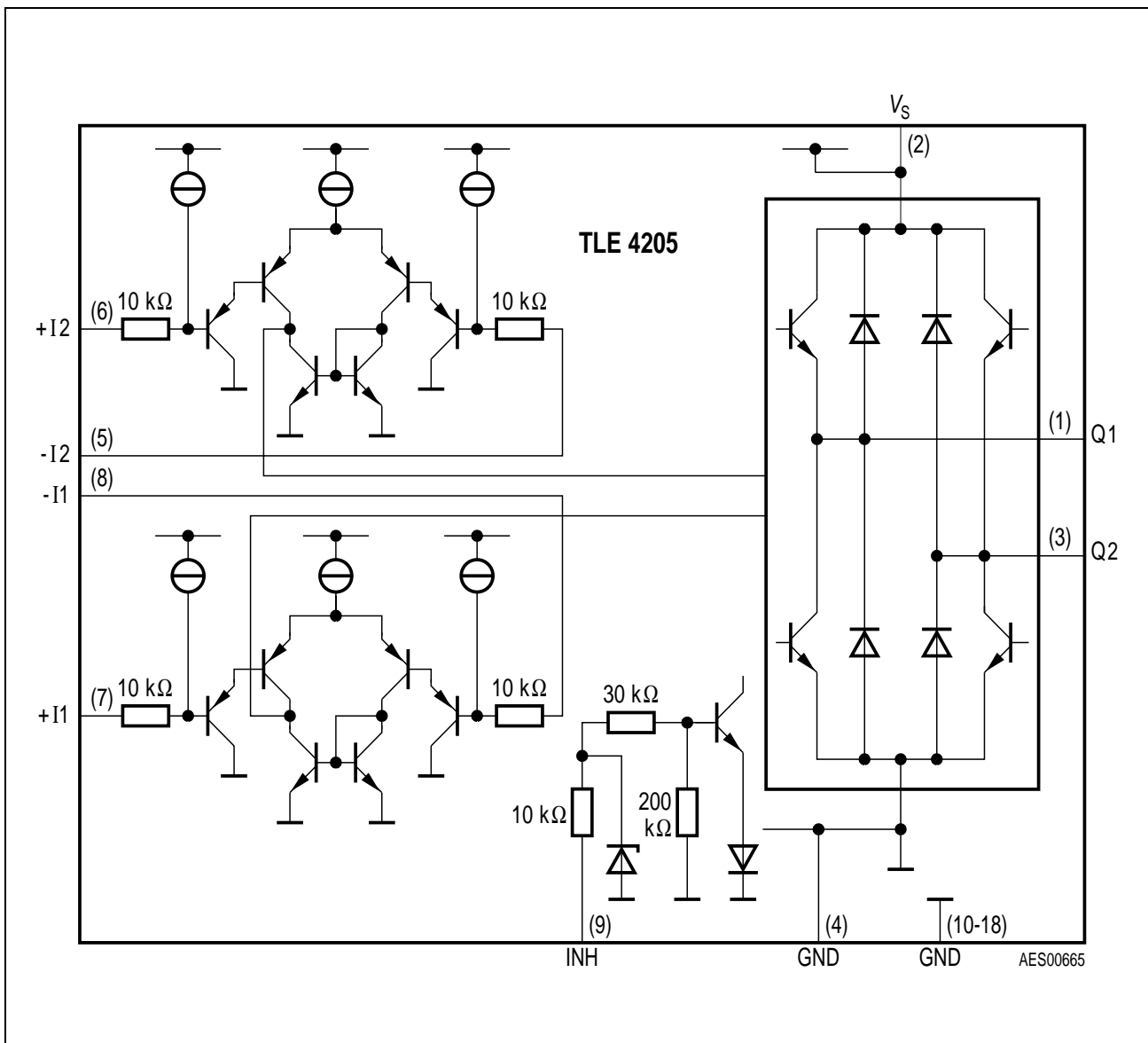


Figure 3 Circuit Diagram

Absolute Maximum Ratings
 $T_j = -40$ to 150 °C

Parameter	Symbol	Limit Values		Unit	Remarks
		min.	max.		
Supply voltage	V_S	- 0.3	45	V	-
Differential input voltage	V_{ID}	-	$\pm V_S$	V	ΔV_{6-5} or ΔV_{7-8} TLE 4205 ΔV_{8-9} or ΔV_{10-11} TLE 4205 G
Output current	I_Q	- 1	1	A	-
Supply current	I_S	2.5	3	A	-
Ground current	I_{GND}	- 3	2.5	A	I2
Input voltage	V_I	- 15	V_S	V	$V_5; V_6; V_7; V_8$ TLE 4205 $V_8; V_9; V_{10}; V_{11}$ TLE 4205 G
Inhibit input	V_{Inh}	- 15	V_S	V	V_9 TLE 4205 V_{12} TLE 4205G
Junction temperature	T_j	-	150	°C	-
Storage temperature	T_{stg}	- 50	150	°C	-

Operating Range

Supply voltage	V_S	6	32	V	-
Case temperature	T_C	- 40	105	°C	$P_{Dmax} = 3$ W; DIP
Case temperature	T_C	- 40	95	°C	$P_{Dmax} = 3$ W; SO
Thermal resistance junction - ambient	$R_{th JA}$	-	60	K/W	TLE 4205
junction - case	$R_{th JC}$	-	15	K/W	TLE 4205
Thermal resistance junction - ambient	$R_{th JA}$	-	65	K/W	TLE 4205 G
junction - case	$R_{th JC}$	-	20	K/W	TLE 4205 G

Outputs pin 1 (19) and pin 3 (1) short-circuit proof to GND at $V_S \leq 18$ V for TLE 4205 (TLE 4205G)

Characteristics
 $6\text{ V} < V_S < 18\text{ V}; -40\text{ }^\circ\text{C} < T_j < 150\text{ }^\circ\text{C}$

Parameter	Symbol	Limit Values			Unit	Test Condition
		min.	typ.	max.		

General

Open-circuit current consumption	I_S	–	10	30	mA	active, both outputs high
Open-circuit current consumption	I_S	–	10	100	μA	inhibit
Turn-ON dead time ref. to $V_{9\text{ OFF/ON}}$	$t_{d\text{ ON}}$	–	10	20	μs	$ I_{1,3} < 1\text{ A}$ TLE 4205 $ I_{1,19} < 1\text{ A}$ TLE 4205 G
Turn-OFF dead time ref. to $V_{9\text{ OFF/ON}}$	$t_{d\text{ OFF}}$	–	10	20	μs	$ I_{1,3} < 1\text{ A}$ TLE 4205 $ I_{1,19} < 1\text{ A}$ TLE 4205 G
Open-loop gain	G_{VO}	50	80	–	dB	$f = 500\text{ Hz}$

Inputs

Input zero voltage	V_{IO}	– 7.5	–	7.5	mV	$R_S = 10\text{ k}\Omega$;
Input-voltage drift	$\Delta V_{IO}/\Delta T$	–	20	30	$\mu\text{V/K}$	–
Input zero current	I_{IO}	– 75	–	75	mA	–
Input current	I_I	– 300	–	300	nA	–
Input-current drift	$\Delta I_I/\Delta T$	–	–	5	nA/K	–
Input common-mode range, positive	V_{IC}	–	–	$V_S - 2$	V	–
Input common-mode range, negative	V_{IC}	–	–	– 0.5	V	–
Power-supply rejection ratio	$PSSR$	–	–	200	$\mu\text{V/V}$	$R_S = 10\text{ k}\Omega$;
Common-mode rejection ratio	$CMRR$	70	80	–	dB	–

Characteristics (cont'd)
 $6\text{ V} < V_S < 18\text{ V}; -40\text{ }^\circ\text{C} < T_j < 150\text{ }^\circ\text{C}$

Parameter	Symbol	Limit Values			Unit	Test Condition
		min.	typ.	max.		

Outputs

Saturation voltage	$V_{\text{Sat U}}$	–	1.35	1.5	V	$I_Q = -0.6\text{ A}$
Saturation voltage	$V_{\text{Sat L}}$	–	0.8	1.2	V	$I_Q = 0.6\text{ A}$
Forward voltage of free-wheeling diode	V_{FU}	–	1	1.5	V	$I_F = 0.6\text{ A}$
Forward voltage of free-wheeling diode	V_{FL}	–	1	1.5	V	$I_F = 0.6\text{ A};$
Slew rate of V_Q	dV_Q/dt_r	–	0.5	–	V/ μs	–

Inhibit Input

Switching threshold high	V_{IH}	2	–	–	V	–
Switching threshold low	V_{IL}	–	–	0.8	V	–
H-input current	I_{IH}	–	100	–	μA	$V_9 = 5\text{ V}$
L-input current	I_{IH}	–	0	–	μA	$V_9 = 0\text{ V}$

Note: $V_{\text{Sat U}}$ = upper
 $V_{\text{Sat L}}$ = lower

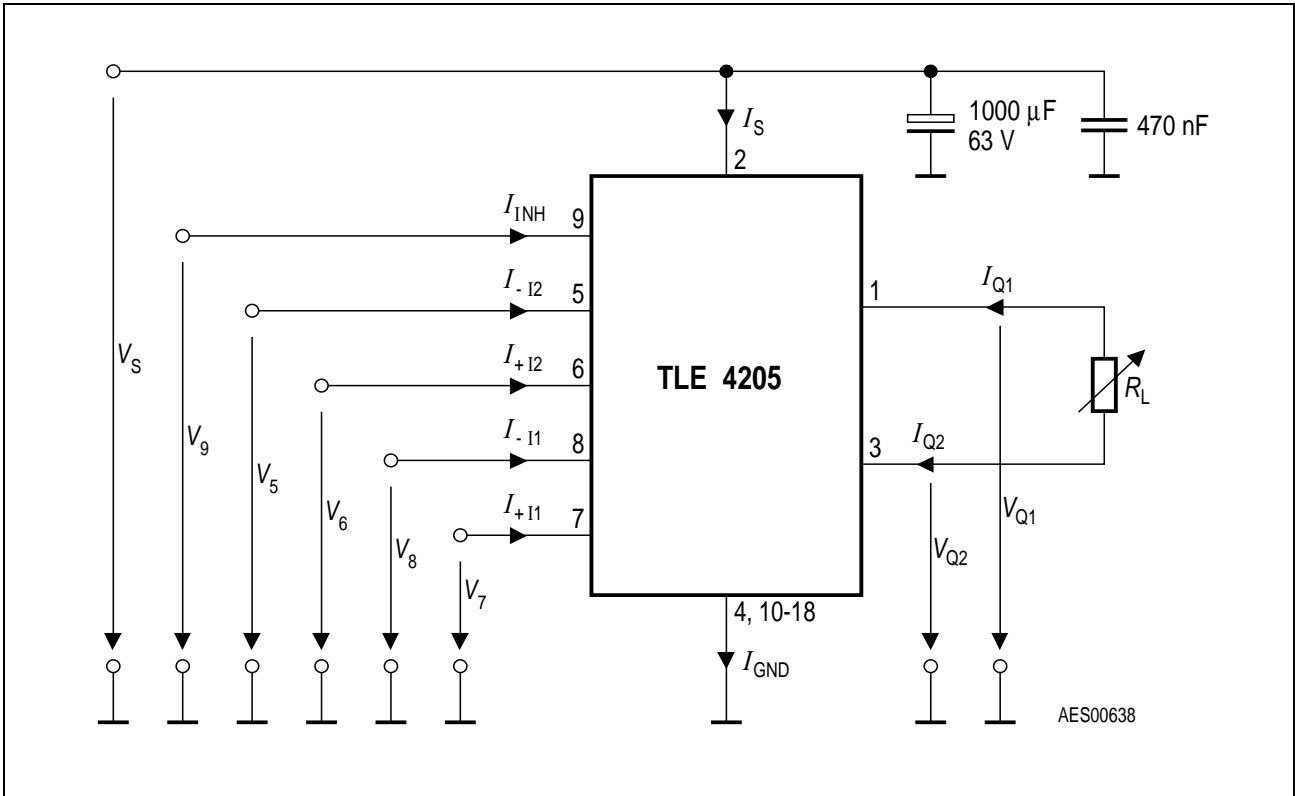


Figure 4 Test Circuit

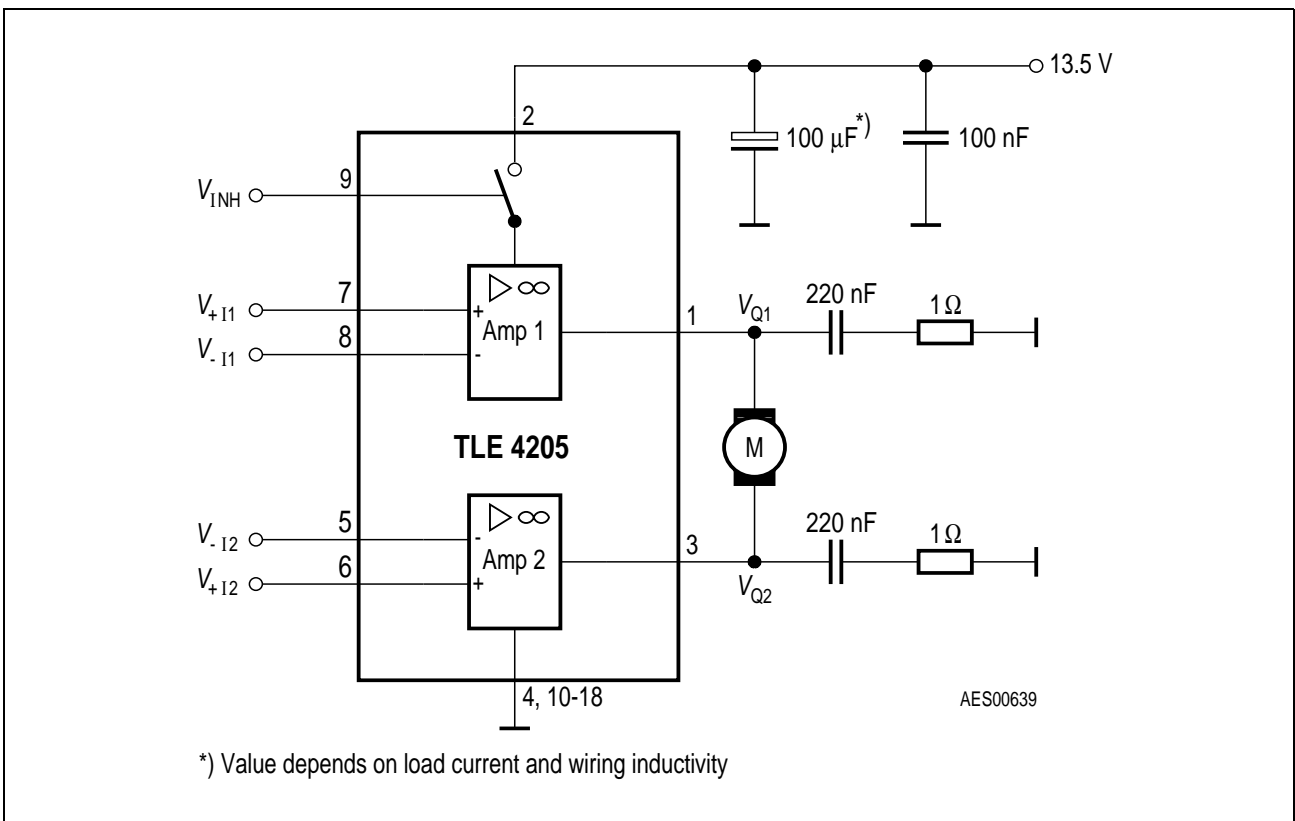
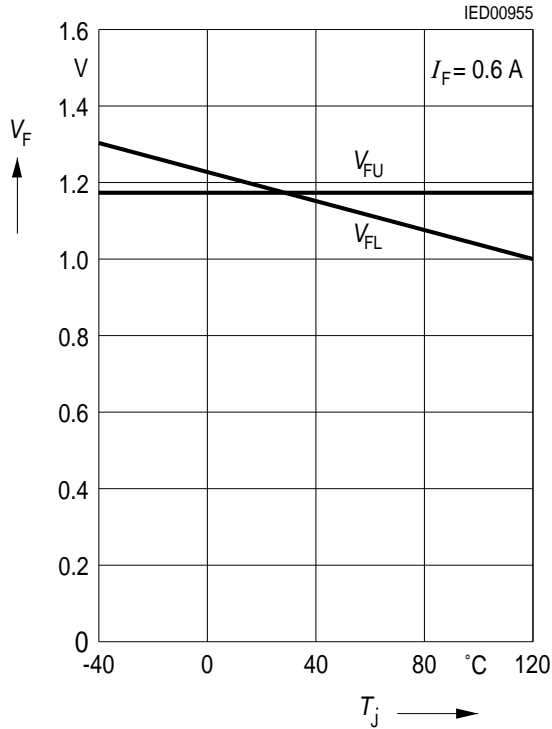
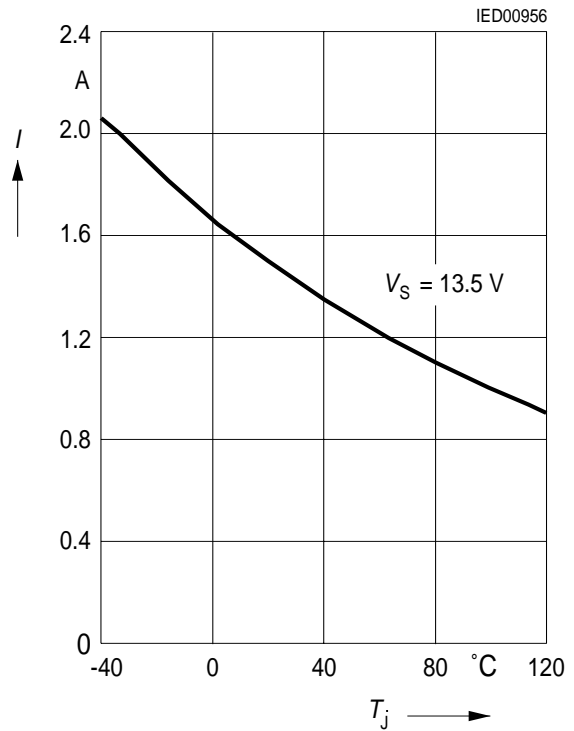


Figure 5 Application Circuit

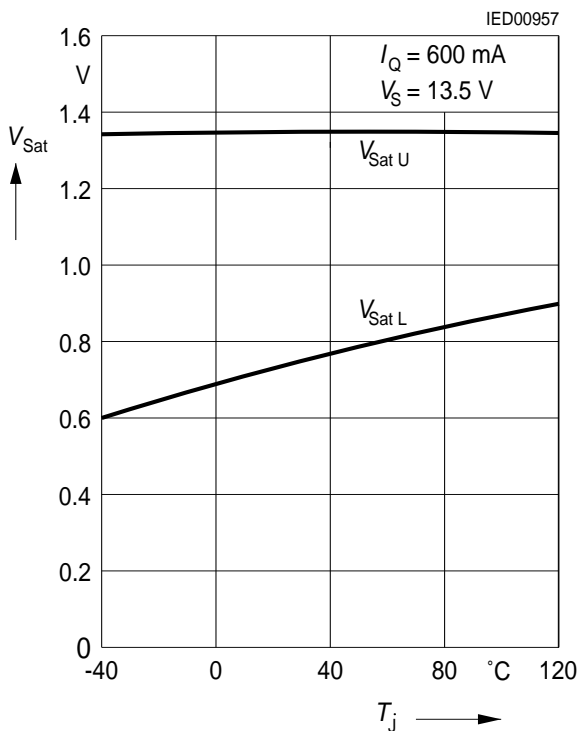
Forward Voltage of the Free-Wheeling Diodes versus Junction Temperature



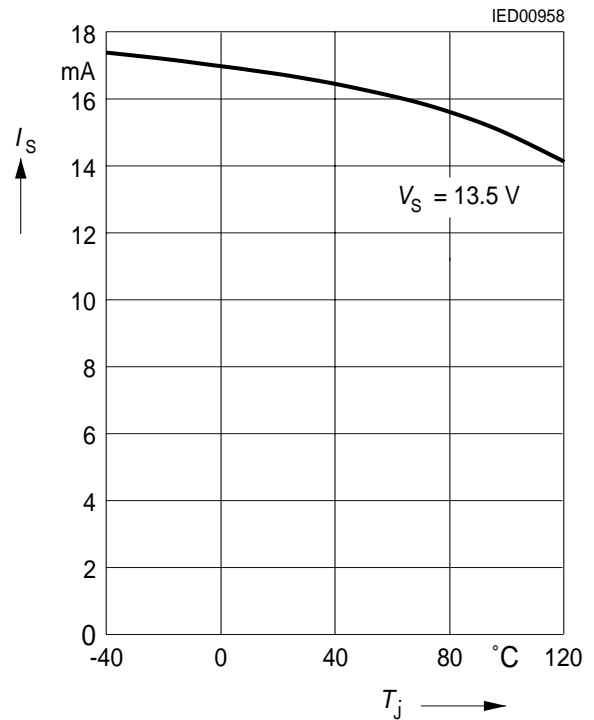
Start Point of the SOA-Protection Circuit versus Junction Temperature



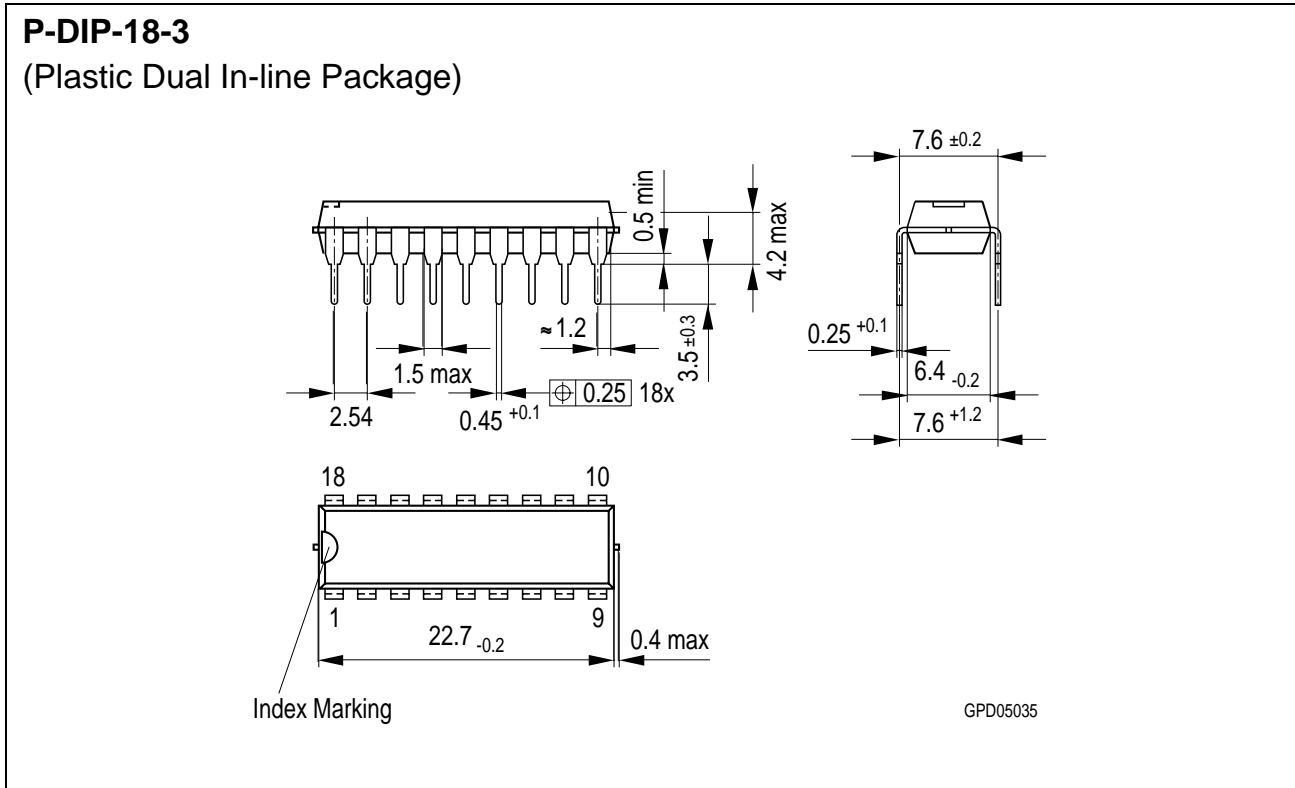
Saturation Voltage versus Junction Temperature



Current Consumption versus Junction Temperature



Package Outlines

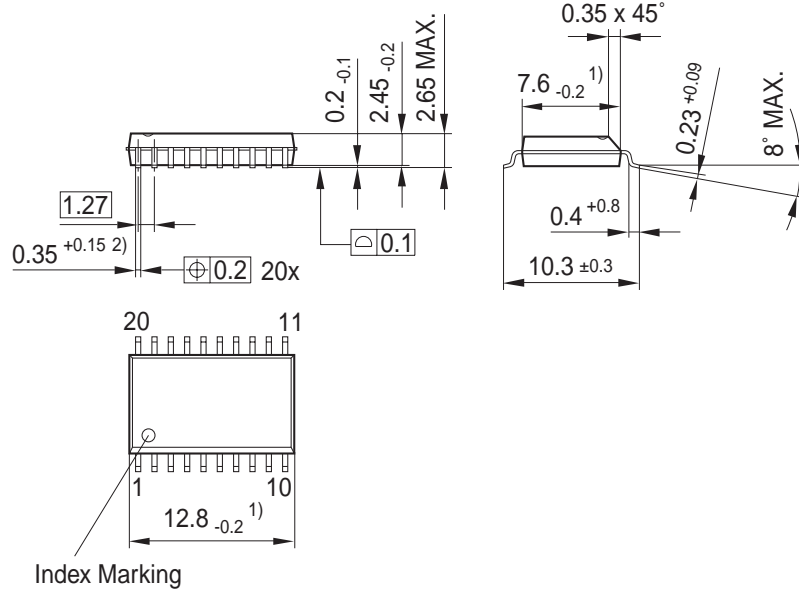


Sorts of Packing

Package outlines for tubes, trays etc. are contained in our Data Book "Package Information".

Dimensions in mm

P-DSO-20-17
(Plastic Dual Small Outline Package)



¹) Does not include plastic or metal protrusion of 0.15 max. per side
²) Does not include dambar protrusion of 0.05 max. per side

Sorts of Packing

Package outlines for tubes, trays etc. are contained in our Data Book "Package Information".

SMD = Surface Mounted Device

Dimensions in mm