

TLE7233EM

SPIDER - 4 channel low-side driver with limp home

Automotive Power



Table of Contents

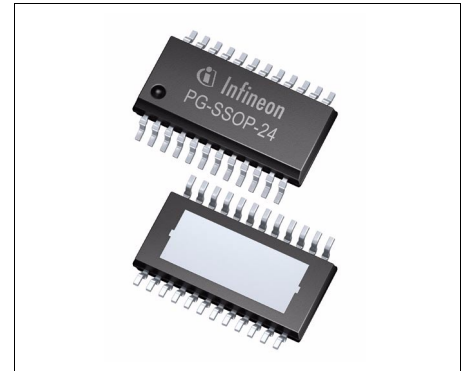
	Table of Contents	2
1	Overview	3
2	Block Diagram	5
2.1	Voltage and current naming definition	6
3	Pin Configuration	7
3.1	Pin Assignment	7
3.2	Pin Definitions and Functions	7
4	General Product Characteristics	9
4.1	Absolute Maximum Ratings	9
4.2	Functional Range	10
4.3	Thermal Resistance	11
5	Power Supply	12
5.1	Limp Home Mode	13
6	Power Stages	14
6.1	Input Circuit	14
6.2	Inductive Output Clamp	15
6.3	Timing Diagrams	16
6.4	Electrical Characteristics Power Stages	17
7	Protection Functions	19
7.1	Over Load Protection	19
7.2	Over Temperature Protection	19
7.3	Reverse Polarity Protection	19
7.4	Electrical Characteristics Protection	20
8	Diagnostic Features	21
8.1	Open Load Diagnosis timing	21
8.2	Electrical Characteristics Diagnostic	22
9	Serial Peripheral Interface (SPI)	23
9.1	SPI Signal Description	23
9.2	Daisy Chain Capability	24
9.3	SPI Protocol	25
9.4	Timing Diagrams	27
9.5	Electrical Characteristics SPI	28
10	Application Information	30
11	Package Outlines	31
12	Revision History	32



1 Overview

Features

- 4 channel low-side relay driver
- 8-bit SPI for diagnostics and control
- SPI providing Daisy Chain Capability
- Limp Home functionality
- Very wide range for digital Supply Voltage
- Four input pins provide flexible and straightforward PWM operation
- Stable behavior at Under Voltage
- Green Product (RoHS compliant)
- AEC Qualified



PG-SSOP-24-4

Table 1 Product Summary

Digital supply voltage	V_{DD}	3.0 V ... 5.5 V
Analog supply voltage	V_{DDA}	4.5 V ... 5.5 V
ON State resistance at $T_j = 150^\circ\text{C}$ for each channel	$R_{DS(ON)}$	2.2 Ω
Nominal load current	$I_{D(nom,min)}$	470 mA
Overload switch off threshold	$I_{D(OVL,max)}$	950 mA
Output leakage current per channel at 25 °C	$I_{D(STB,max)}$	1 μA
Drain to Source clamping voltage	$V_{DS(AZ)}$	41 V
SPI clock frequency	f_{SCLK}	5 MHz

Diagnostic Features

- Latched diagnostic information via SPI
- Over temperature monitoring
- Over load detection in ON state
- Open load detection in OFF state

Type	Package	Marking
TLE7233EM	PG-SSOP-24-4	TLE7233EM

Protection Functions

- Short circuit
- Over load
- Over temperature
- Electrostatic discharge (ESD)

Application

- All types of resistive, inductive and capacitive loads
- Especially designed for driving relays in automotive applications

Description

The TLE7233EM is a four channel low-side relay switch ($1\ \Omega$ per channel) in PG-SSOP-24-4 package providing embedded protective functions. It is especially designed as a relay driver for automotive applications. The 8 bit serial peripheral interface (SPI) is provided for control and diagnostics of the device and the loads. The SPI interface provides daisy-chain capability.

The TLE7233EM is equipped with four input pins that can be individually routed to the output control of their corresponding channel and therefore offer complete flexibility in design and PCB layout. The input multiplexer is controlled via SPI.

A limp home pin (LHI) provides a simple use of the input pins; this enables a direct connection between the input pins and their corresponding outputs. The limp home function works also with V_{DDA} only in order to ensure functionality even without the digital supply.

The device provides many diagnostics of the load enabling both open load and short circuit detection. The SPI diagnostic bits indicate any eventual latched fault condition.

Each output stage is protected against short circuit. In case of over load, the affected channel switches off. Temperature sensors are available for each channel in order to protect the device against over temperature.

The power transistors are made of N-channel vertical power MOSFETs. The inputs are CMOS compatible and are referenced to Ground. The device is monolithically integrated in Smart Power Technology.

2 Block Diagram

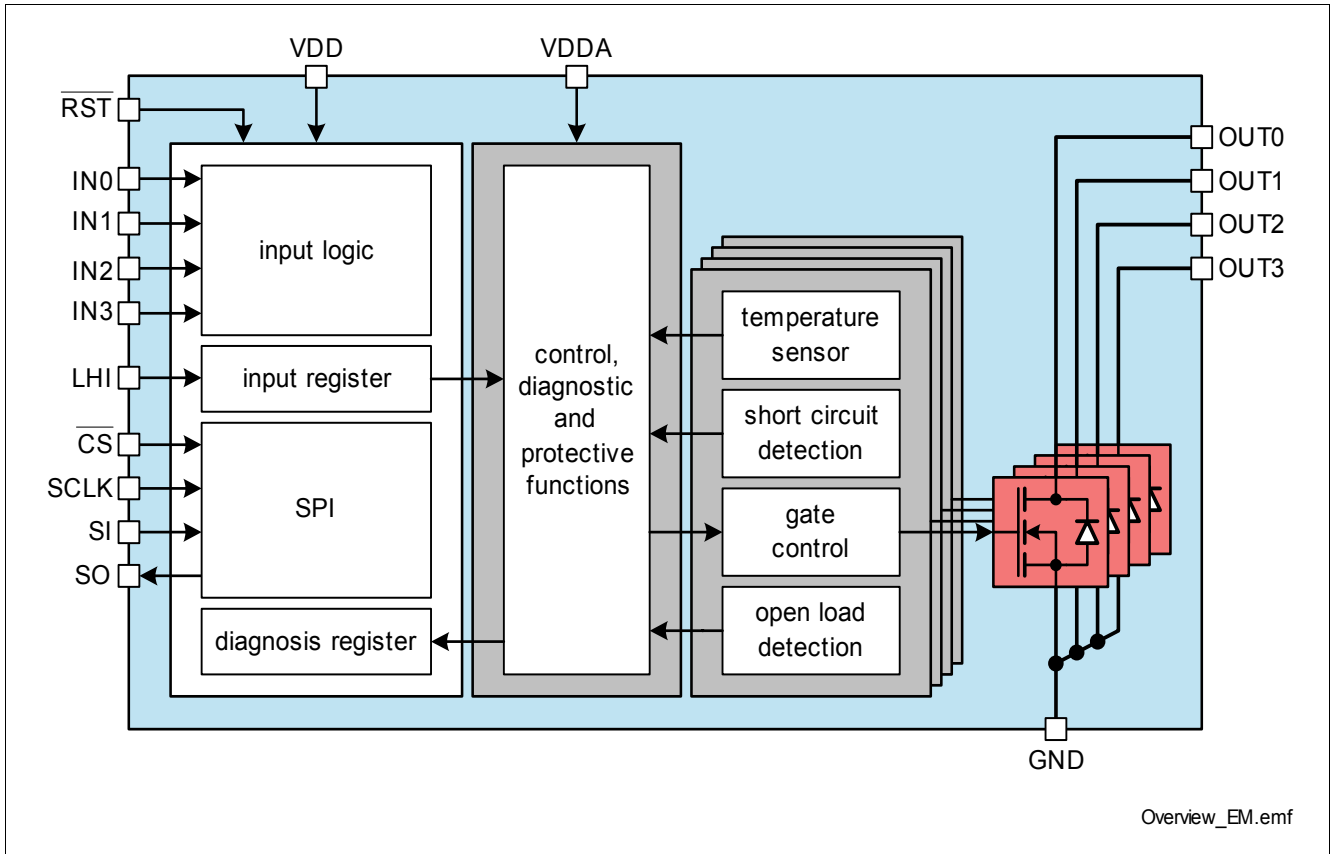


Figure 1 Block Diagram TLE7233EM

2.1 Voltage and current naming definition

Following figure shows all the terms used in this data sheet, with associated convention for positive values.

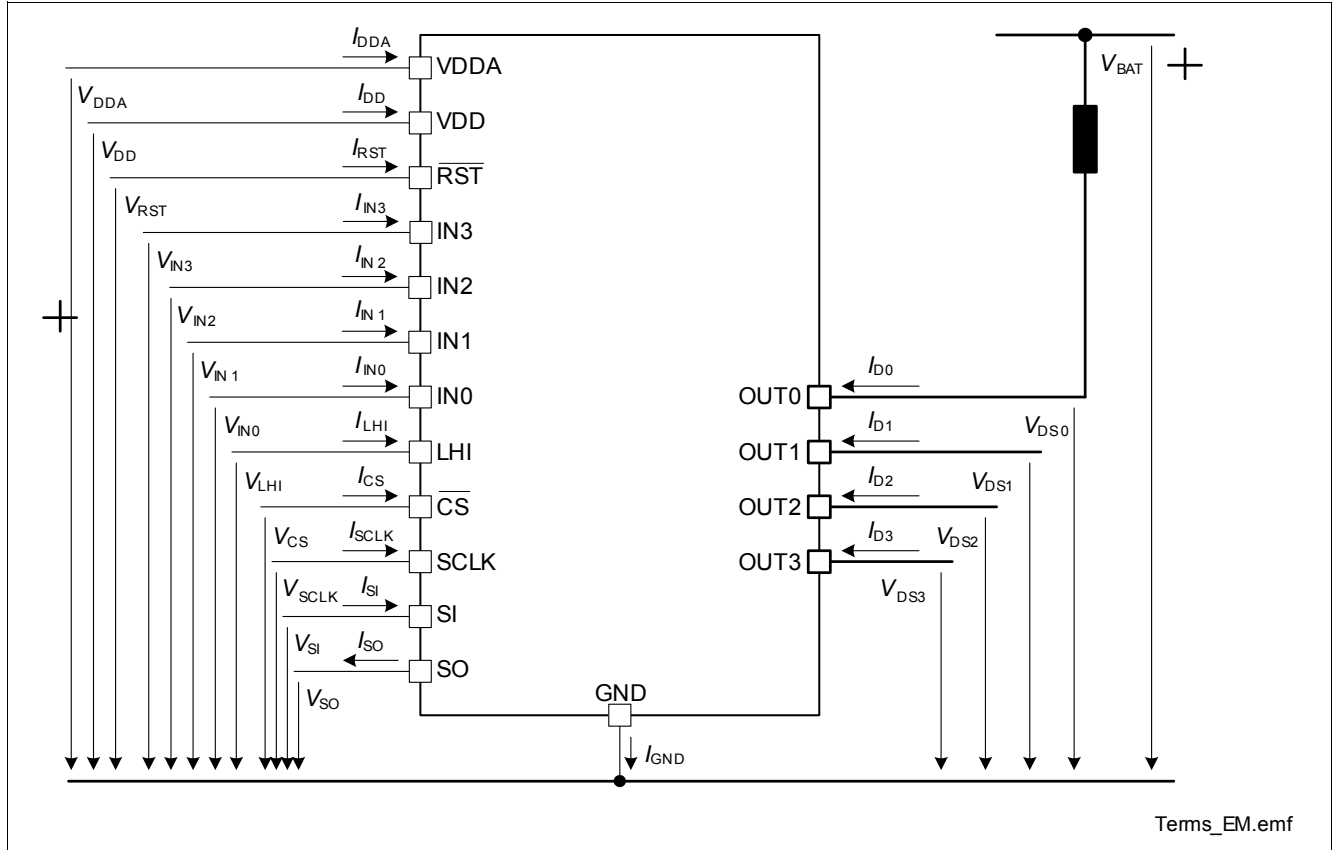


Figure 2 Terms

In all tables of electrical characteristics is valid: channel related symbols without channel number are valid for each channel separately (e.g. V_{DS} specification is valid for $V_{DS0} \dots V_{DS3}$).

All SPI register bits are marked as follows: **PARAMETER** (e.g. **IN0**). In SPI register description, the values in bold letters (e.g. **0**) are default values.

3 Pin Configuration

3.1 Pin Assignment

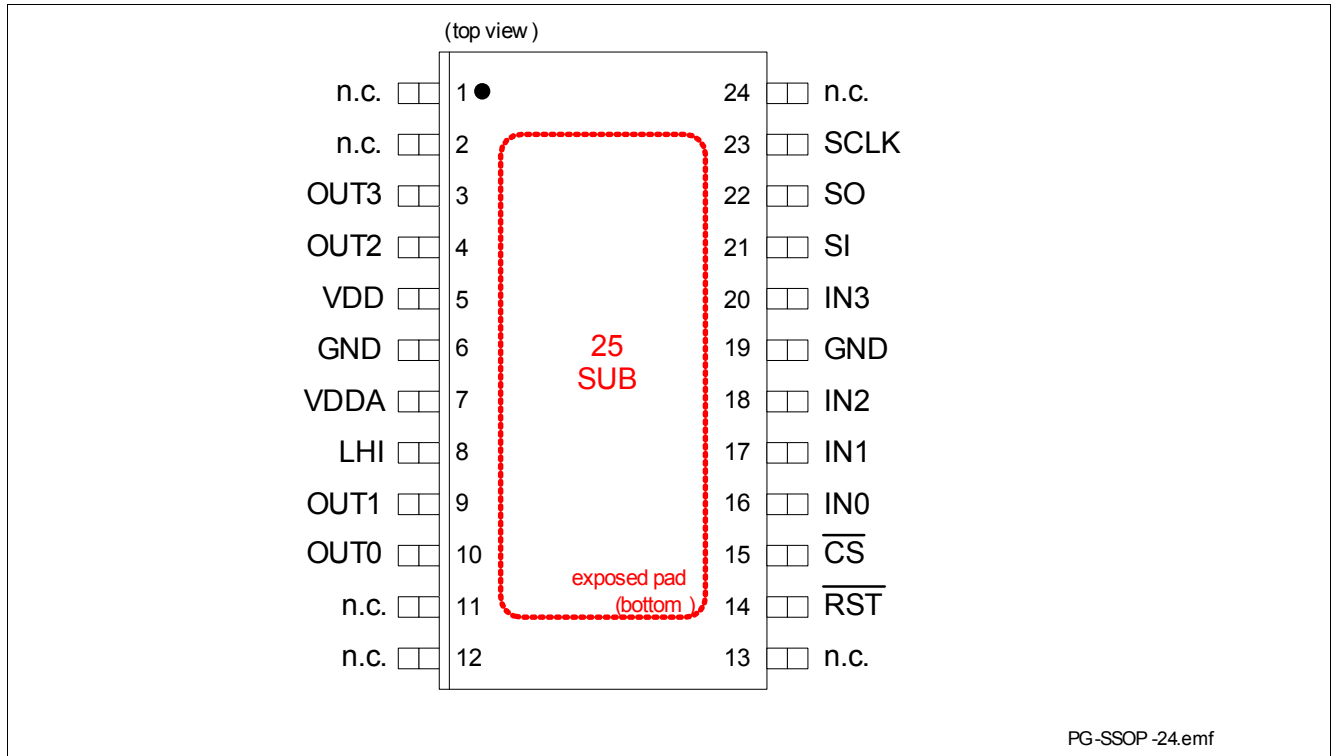


Figure 3 Pin Configuration

3.2 Pin Definitions and Functions

Pin	Symbol	I/O ¹⁾	Function
Power Supply			
5	VDD	-	Digital Supply Voltage; Connected to 5 V Voltage with Reverse protection Diode and Filter against EMC
7	VDDA	-	Analog Supply Voltage; Positive supply voltage for power switches gate control
6,19	GND	-	Ground; common ground for digital, analog and power. Both pins need to be connected to ground
25	SUB	-	Substrate; shorted to die pad, must be used for thermal connection and connected to ground
Power Stages			
10	OUT0	O	Output Channel 0; Drain of power transistor channel 0
9	OUT1	O	Output Channel 1; Drain of power transistor channel 1
4	OUT2	O	Output Channel 2; Drain of power transistor channel 2
3	OUT3	O	Output Channel 3; Drain of power transistor channel 3
Inputs			

Pin Configuration

Pin	Symbol	I/O ¹⁾		Function
16	IN0	I	PD	Control Input; Digital input 3.3 V or 5 V. In case of not used keep open.
17	IN1	I	PD	Control Input; Digital input 3.3 V or 5 V. In case of not used keep open.
18	IN2	I	PD	Control Input; Digital input 3.3 V or 5 V. In case of not used keep open.
20	IN3	I	PD	Control Input; Digital input 3.3 V logic. In case of not used keep open.
8	LHI	I	PD	Limp Home; Digital input 3.3 V or 5 V. In case of not used keep open.
14	RST	I	PD	Reset input pin; Digital input 3.3 V or 5 V. Low active

SPI

15	CS	I	PU	SPI Chip Select; Digital input 3.3 V or 5 V. Low active
23	SCLK	I	PD	Serial Clock; Digital input 3.3 V or 5 V.
21	SI	I	PD	Serial Data In; Digital input 3.3 V or 5 V.
22	SO	O		Serial Data Out; Digital input 3.3 V or 5 V.

Others

1,2,11, 12,13, 24	n.c.	-		not connected; pin not used
-------------------------	------	---	--	------------------------------------

- 1) O: Output, I: Input,
PD: pull-down resistor integrated,
PU pull-up resistor integrated

4 General Product Characteristics

4.1 Absolute Maximum Ratings

Absolute Maximum Ratings ¹⁾

$T_J = -40\text{ °C}$ to $+150\text{ °C}$; $V_{DD} = 3.0\text{ V}$ to V_{DDA} , $V_{DDA} = 4.5\text{ V}$ to 5.5 V .

All voltages with respect to ground, positive current flowing into pin (unless otherwise specified)

Pos.	Parameter	Symbol	Limit Values		Unit	Conditions
			Min.	Max.		

Power Supply

4.1.1	Digital supply voltage	V_{DD}	-0.3	5.5	V	–
4.1.2	Analog supply voltage	V_{DDA}	-0.3	5.5	V	–

Power Stages

4.1.3	Load current	I_D	-0.5	0.5	A	–
4.1.4	Output voltage for short circuit protection (single pulse)	V_D	–	36	V	–
4.1.5	Voltage at power transistor	V_{DS}	–	41	V	active clamped
4.1.6	Maximum energy dissipation one channel	E_{AS}			mJ	– ²⁾
	single pulse		–	65		$T_{J(0)} = 85\text{ °C}$ $I_{D(0)} = 0.35\text{ A}$
	single pulse	–	30	$T_{J(0)} = 150\text{ °C}$ $I_{D(0)} = 0.25\text{ A}$		
	repetitive ($1 \cdot 10^4$ cycles)	E_{AR}	–	18		$T_{J(0)} = 150\text{ °C}$ $I_{D(0)} = 0.25\text{ A}$
	repetitive ($1 \cdot 10^6$ cycles)		–	13		$T_{J(0)} = 150\text{ °C}$ $I_{D(0)} = 0.17\text{ A}$

Logic Pins

4.1.7	Voltage at input pins	$V_{IN0..3}$	-0.3	5.5	V	–
4.1.8	Voltage at LHI pin	V_{LHI}	-0.3	5.5	V	–
4.1.9	Voltage at reset pin	V_{RST}	-0.3	$V_{DD} + 0.3$	V	– ³⁾
4.1.10	Voltage at chip select pin	V_{CS}	-0.3	$V_{DD} + 0.3$	V	– ³⁾
4.1.11	Voltage at serial clock pin	V_{SCLK}	-0.3	$V_{DD} + 0.3$	V	– ³⁾
4.1.12	Voltage at serial input pin	V_{SI}	-0.3	$V_{DD} + 0.3$	V	– ³⁾
4.1.13	Voltage at serial output pin	V_{SO}	-0.3	$V_{DD} + 0.3$	V	– ³⁾

Temperatures

4.1.14	Junction Temperature during operation	T_J	-40	150	°C	–
4.1.15	Storage Temperature	T_{STG}	-55	150	°C	–

Absolute Maximum Ratings (cont'd)¹⁾

$T_j = -40\text{ °C to }+150\text{ °C}$; $V_{DD} = 3.0\text{ V to }V_{DDA}$, $V_{DDA} = 4.5\text{ V to }5.5\text{ V}$.

All voltages with respect to ground, positive current flowing into pin (unless otherwise specified)

Pos.	Parameter	Symbol	Limit Values		Unit	Conditions
			Min.	Max.		
ESD Susceptibility						
4.1.16	ESD Resistivity OUTn vs. GND all other pins	V_{ESD}	-4 -2	4 2	kV	HBM ⁴⁾

- 1) Not subject to production test, specified by design.
- 2) Pulse shape represents inductive switch off: $I_D(t) = I_D(0) \times (1 - t / t_{pulse})$; $0 < t < t_{pulse}$
- 3) $V_{DD} + 0.3\text{ V} < 5.5\text{ V}$
- 4) ESD susceptibility, HBM according to ANSI/ESDA/JEDEC JS-001-2010

Note: Stresses above the ones listed here may cause permanent damage to the device. Exposure to absolute maximum rating conditions for extended periods may affect device reliability.

Note: Integrated protection functions are designed to prevent IC destruction under fault conditions described in the data sheet. Fault conditions are considered as "outside" normal operating range. Protection functions are not designed for continuous repetitive operation.

4.2 Functional Range

Pos.	Parameter	Symbol	Limit Values		Unit	Conditions
			Min.	Max.		
4.2.1	Digital supply voltage	V_{DD}	3.0	5.5	V	–
4.2.2	Analog supply voltage	V_{DDA}	4.5	5.5	V	–
4.2.3	Digital supply current all channels ON	$I_{DD(ON)}$	–	100	μA	–
4.2.4	Analog supply current all channels ON	$I_{DDA(ON)}$	–	3	mA	–
4.2.5	Analog supply turn-ON time	$t_{DDA(ON)}$	15	–	μs	$V_{DDA} = 0\text{V to }5\text{V}$ (linear)

Note: Within the functional range the IC operates as described in the circuit description. The electrical characteristics are specified within the conditions given in the related electrical characteristics table.

4.3 Thermal Resistance

Note: This thermal data was generated in accordance with JEDEC JESD51 standards.

For more information, go to www.jedec.org.

Pos.	Parameter	Symbol	Limit Values			Unit	Conditions
			Min.	Typ.	Max.		
4.3.6	Junction to Case, bottom	$R_{thJC,back}$	–	–	4	K/W	– 1) 2)
4.3.7	Junction to Case, top	$R_{thJC,top}$	–	–	35	K/W	– 1) 2)
4.3.8	Junction to Pin (6,7,18 or 19)	R_{thJPin}	–	–	15	K/W	– 1) 2)
4.3.9	Junction to Ambient (1s0p, min. footprint)	$R_{thJA,min}$	–	95	–	K/W	– 1) 3)
4.3.10	Junction to Ambient (1s0p + 300mm ² Cu)	$R_{thJA,300}$	–	52	–	K/W	– 1) 4)
4.3.11	Junction to Ambient (1s0p + 600mm ² Cu)	$R_{thJA,600}$	–	45	–	K/W	– 1) 5)
4.3.12	Junction to Ambient (2s2p)	$R_{thJA,2s2p}$	–	33	–	K/W	– 1) 6)

- 1) Not test subject to production test, specified by design
- 2) Specified R_{thJC} value is simulated at natural convection on a cold plate setup (all pins are fixed to ambient temperature). $T_A = 85^\circ\text{C}$. Ch0 to Ch3 are dissipating 1 W power (0.25 W each).
- 3) Specified R_{thJA} value is according to JEDEC JESD51-2,-3 at natural convection on FR4 1s0p board; The product (Chip+Package) was simulated on a 76.2 x 114.3 x 1.5 mm board with minimal footprint copper area and 70 μm thickness. $T_A = 85^\circ\text{C}$. Ch0 to Ch3 are dissipating 1 W power (0.25 W each).
- 4) Specified R_{thJA} value is according to JEDEC JESD51-2,-3 at natural convection on FR4 1s0p board; The product (Chip+Package) was simulated on a 76.2 x 114.3 x 1.5 mm board with additional heatspreading copper area of 300 mm² and 70 μm thickness. $T_A = 85^\circ\text{C}$. Ch0 to Ch3 are dissipating 1 W power (0.25 W each).
- 5) Specified R_{thJA} value is according to JEDEC JESD51-2,-3 at natural convection on FR4 1s0p board; The product (Chip+Package) was simulated on a 76.2 x 114.3 x 1.5 mm board with additional heatspreading copper area of 600 mm² and 70 μm thickness. $T_A = 85^\circ\text{C}$. Ch0 to Ch3 are dissipating 1 W power (0.25 W each).
- 6) Specified R_{thJA} value is according to JEDEC JESD51-2,-7 at natural convection on FR4 2s2p board; The product (Chip+Package) was simulated on a 76.2 x 114.3 x 1.5 mm board with 2 inner copper layers (2 x 70 μm Cu, 2 x 35 μm Cu). $T_A = 85^\circ\text{C}$. Ch0 to Ch3 are dissipating 1 W power (0.25 W each).

5 Power Supply

The TLE7233EM is supplied by two power supply lines V_{DD} and V_{DDA} . The digital power supply line V_{DD} is designed to be functional at a very wide voltage range. The analog power supply V_{DDA} supports 5 V supply.

Power-on reset functions have been implemented for both supply lines. After start-up of the power supply, all SPI registers are reset to their default values and the device remains in idle mode. Capacitors between VDD and GND pins, and VDDA and GND pins are recommended.

A reset pin is available. At low logic level at this pin, all registers are set to their default values and the quiescent supply currents are minimized.

The V_{DD} supply line is used for the I/O buffer circuits of the SPI pins, therefore the voltage on the SO pin is always related to this supply voltage. A capacitor between VDD and GND pin is recommended.

To enable the Daisy chain functionality it is necessary to have V_{DD} and V_{DDA} in the specified functional range.

The device provides a sleep mode to minimize current consumption, which also resets the register banks. It is controlled by a low active reset pin (\overline{RST}) which disables the device and minimize the current consumption. The table below gives an overview of the different power modes.

Table 2 Power modes¹⁾

Power mode	State Description	RST (low active)	V_{DD}	V_{DDA}	SCLK	LHI
SLEEP	Device at minimum current consumption	low	X	X	0 Hz	low
IDLE	Device operational, all channels OFF no diagnosis activated	high	ON	ON	0 Hz	low
LIMP HOME	Device in Limp home mode	X	X	ON	X	high
ON	Device operational with enabled channels and diagnostic currents active	high	ON	ON	5 MHz (max)	low

- 1) low: pin input is digital low,
high: pin input is digital high,
X: pin state don't care,
ON: voltage on this analog supply pin is in the specified functional range

5.1 Limp Home Mode

The TLE7233EM offers the capability of driving dedicated channels during eventual fail-safe operation of the system. This limp home mode is activated by a high signal at pin LHI. In this mode, the SPI registers are reset and the input pins are directly routed to their corresponding channels, see [Table 3](#) for details.

Furthermore, the SPI is ignored and all input pins are referred to V_{DDA} in order to ensure a defined operation mode if the digital supply or the microcontroller fail.

A high signal on LHI overrides a Reset signal on \overline{RST} . In case of a limp home during sleep the device will therefore wake up and enter the limp home mode.

During Limp home mode any SPI transmission will receive a TER flag.

After limp home operation all registers are reset and the device enters in sleep mode following low logic RST state, or returns to ON state (all channels OFF with diagnostic currents active). Next SPI transmission will receive a TER Flag.

Input	controlled Output
IN0	OUT0
IN1	OUT1
IN2	OUT2
IN3	OUT3

Table 3 Routing during limp home mode

6 Power Stages

The TLE7233EM is a four channel low-side relay switch.

The power stages are made of N-channel vertical power MOSFET transistors.

6.1 Input Circuit

The TLE7233EM has four input pins, which can be configured to be used for control of the output stages. The IN_n parameter of the SPI provide the following operation modes (see [Figure 5](#)):

- channel is in off mode without diagnosis
(if all channels are programmed to this mode, the device goes into idle mode)
- channel is switched according to signal level at input pin IN_n
- channel is switched on with active diagnosis
- channel is switched off with active diagnosis

[Figure 4](#) shows the input circuit of TLE7233EM.

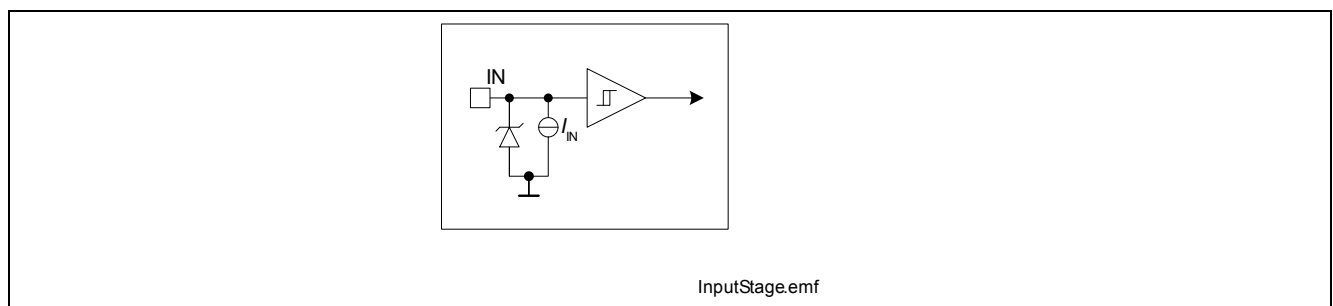


Figure 4 Input signal conditioning circuit on all input and limp home pins

The current sink to ground ensures that the channels switch off in case of open input pin. The zener diode protects the input circuit against ESD pulses. After power-on reset, the device enters idle mode.

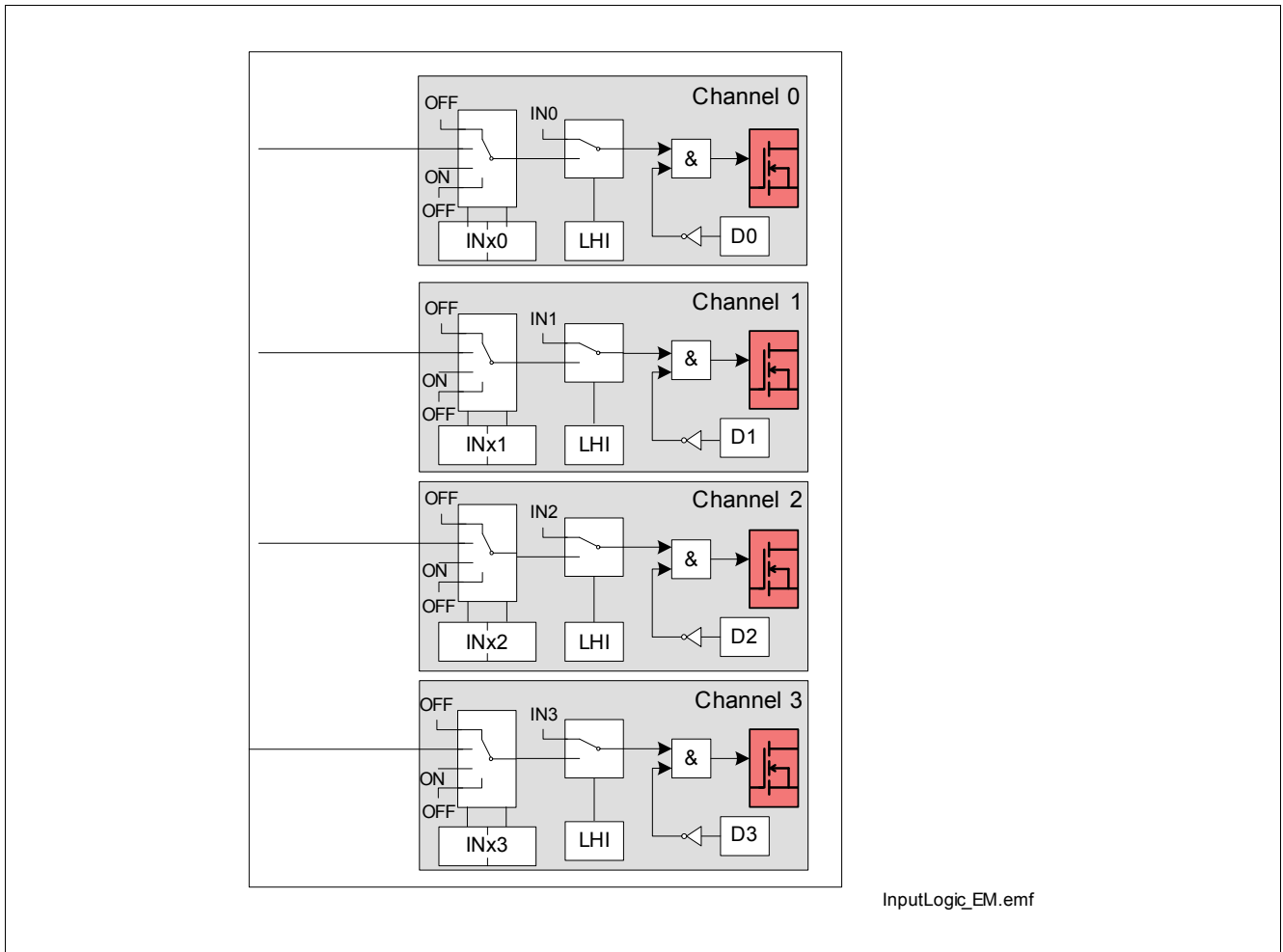


Figure 5 Input Multiplexer

6.2 Inductive Output Clamp

When switching off inductive loads, the potential at pin OUT rises to $V_{DS(CL)}$ potential, because the inductance intends to continue driving the current. The voltage clamping is necessary to prevent destruction of the device, see [Figure 6](#) for details. Nevertheless, the maximum allowed load inductance is limited.

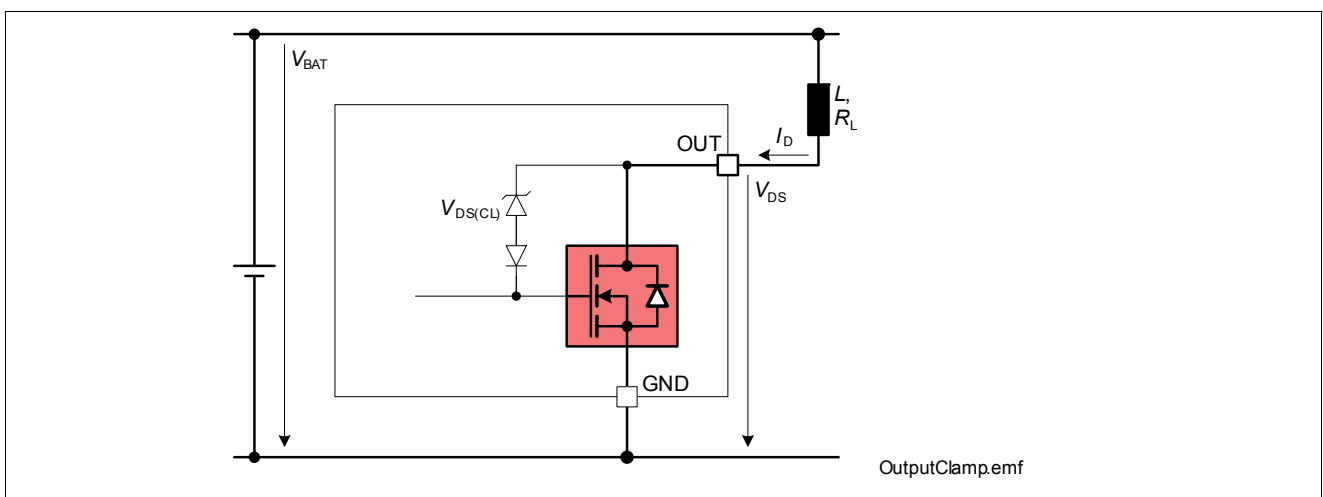


Figure 6 Output Clamp Implementation

Maximum Load Inductance

During demagnetization of inductive loads, energy has to be dissipated in the TLE7233EM.

This energy can be calculated with following equation:

$$E = V_{DS(CL)} \cdot \left[\frac{V_{BAT} - V_{DS(CL)}}{R_L} \cdot \ln \left(1 - \frac{R_L \cdot I_D}{V_{BAT} - V_{DS(CL)}} \right) + I_D \right] \cdot \frac{L}{R_L}$$

Following equation simplifies under the assumption of $R_L = 0$:

$$E = \frac{1}{2} L I_D^2 \cdot \left(1 - \frac{V_{BAT}}{V_{BAT} - V_{DS(CL)}} \right)$$

The maximum energy, which is converted into heat, is limited by the thermal design of the component.

6.3 Timing Diagrams

The power transistors are switched on and off with a dedicated slope via the \overline{IN} bits of the serial peripheral interface SPI. The switching times t_{ON} and t_{OFF} are designed equally.

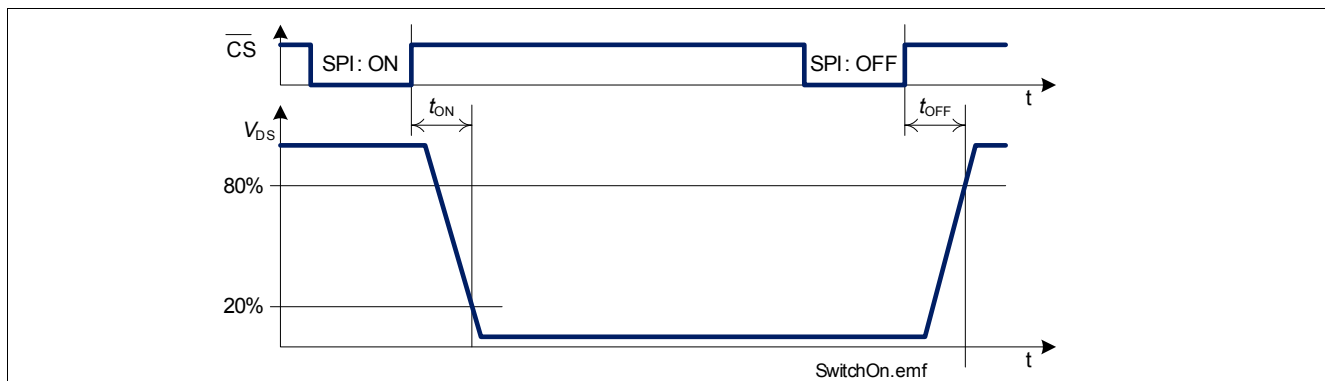


Figure 7 Switching a Resistive Load

In input direct drive mode, a high signal at the input pin is equivalent to a SPI ON command and a low signal to SPI OFF command respectively. Please refer to [Chapter 9.3](#) for details on operation modes.

The listed switching times are not valid, when switching to or from stand-by mode.

6.4 Electrical Characteristics Power Stages

$V_{DD} = 3.0 \text{ V}$ to V_{DDA} , $V_{DDA} = 4.5 \text{ V}$ to 5.5 V , $T_J = -40 \text{ }^\circ\text{C}$ to $+150 \text{ }^\circ\text{C}$

All voltages with respect to ground, positive current flowing into pin (unless otherwise specified)

typical values: $V_{DD} = 5.0 \text{ V}$, $V_{DDA} = 5.0 \text{ V}$, $T_J = 25 \text{ }^\circ\text{C}$

Pos.	Parameter	Symbol	Limit Values			Unit	Conditions
			Min.	Typ.	Max.		
Power Supply							
6.4.1	Digital supply voltage	V_{DD}	3.0	–	5.5	V	–
6.4.2	Digital supply current all channels ON	$I_{DD(ON)}$	–	–	100	μA	$V_{DD} = V_{DDA} = 5 \text{ V}$ $V_{RST} = V_{CS} = V_{DD}$ $V_{SCLK} = 0 \text{ V}$ $V_{IN} = 0 \text{ V}$
6.4.3	Digital supply idle current	$I_{DD(idle)}$	–	–	20	μA	$f_{SCLK} = 0 \text{ Hz}$ $V_{RST} = V_{CS} = \text{high}$
6.4.4	Digital supply sleep current	$I_{DD(sleep)}$	–	–	1 2 5	μA	$V_{RST} = 0 \text{ V}$ $T_J = 25 \text{ }^\circ\text{C}^{1)}$ $T_J = 85 \text{ }^\circ\text{C}^{1)}$ $T_J = 150 \text{ }^\circ\text{C}$
6.4.5	Digital power-on reset threshold voltage	$V_{DD(PO)}$	–	–	3.0	V	–
6.4.6	Analog supply voltage	V_{DDA}	4.5	–	5.5	V	–
6.4.7	Analog supply current all channels ON	$I_{DDA(ON)}$	–	–	3	mA	–
6.4.8	Analog supply idle current	$I_{DDA(idle)}$	–	–	25 50 100	μA	$V_{CS} = V_{DD}$ $V_{SI} = 0 \text{ V}$ $V_{SCLK} = 0 \text{ V}$ $T_J = 25 \text{ }^\circ\text{C}^{1)}$ $T_J = 85 \text{ }^\circ\text{C}^{1)}$ $T_J = 150 \text{ }^\circ\text{C}$
6.4.9	Analog supply sleep current	$I_{DDA(sleep)}$	–	–	1 3 5	μA	$V_{CS} = V_{DD}$ $V_{RST} = 0 \text{ V}$ $T_J = 25 \text{ }^\circ\text{C}^{1)}$ $T_J = 85 \text{ }^\circ\text{C}^{1)}$ $T_J = 150 \text{ }^\circ\text{C}$
6.4.10	Analog power-on reset threshold voltage	$V_{DDA(PO)}$	–	–	4.5	V	–
Output Characteristics							
6.4.11	On-State resistance per channel	$R_{DS(ON)}$	–	1.0 2.0	–	Ω	$I_D = 250 \text{ mA}$ $T_J = 25 \text{ }^\circ\text{C}^{1)}$ $T_J = 150 \text{ }^\circ\text{C}$
6.4.12	Nominal load current	$I_{D(nom)}$	470	500	–	mA	– ²⁾

$V_{DD} = 3.0 \text{ V to } V_{DDA}, V_{DDA} = 4.5 \text{ V to } 5.5 \text{ V}, T_J = -40 \text{ }^\circ\text{C to } +150 \text{ }^\circ\text{C}$

All voltages with respect to ground, positive current flowing into pin (unless otherwise specified)

 typical values: $V_{DD} = 5.0 \text{ V}, V_{DDA} = 5.0 \text{ V}, T_J = 25 \text{ }^\circ\text{C}$

Pos.	Parameter	Symbol	Limit Values			Unit	Conditions
			Min.	Typ.	Max.		
6.4.13	Output leakage current (per channel)	$I_{D(OFF)}$	–	–	1	μA	$V_{DS} = 13.5 \text{ V}$ $T_J = 25 \text{ }^\circ\text{C}^{1)}$ $T_J = 85 \text{ }^\circ\text{C}^{1)}$ $T_J = 150 \text{ }^\circ\text{C}$
6.4.14	Output clamping voltage	$V_{DS(CL)}$	41	–	54	V	–

Input Pin Characteristics

6.4.15	L level of pin IN & LHI	$V_{IN(L)}$	0	–	0.7	V	–
6.4.16	H level of pin IN & LHI	$V_{IN(H)}$	2.0	–	5.5	V	–
6.4.17	L-input pull-down current through pin	$I_{IN(L)}$	3	12	80	μA	$V_{DD} = 5 \text{ V}^{1)}$ $V_{IN} = 0.6 \text{ V}$
6.4.18	H-input pull-down current through pin	$I_{IN(H)}$	10	40	80	μA	$V_{DD} = 5 \text{ V}$ $V_{IN} = 5 \text{ V}$
6.4.19	L level of pin RST	$V_{RST(L)}$	0	–	0.2* V_{DD}	–	–
6.4.20	H level of pin RST	$V_{RST(H)}$	0.4* V_{DD}	–	V_{DD}	–	–
6.4.21	L-input pull-down current through pin RST	$I_{RST(L)}$	3	12	80	μA	$V_{DD} = 5 \text{ V}^{1)}$ $V_{RST} = 0.6 \text{ V}$
6.4.22	H-input pull-down current through pin RST	$I_{RST(H)}$	10	40	80	μA	$V_{DD} = 5 \text{ V}$ $V_{RST} = 5 \text{ V}$

Timings

6.4.23	Sleep wake-up time	$t_{wu(sleep)}$	–	–	200	μs	–
6.4.24	Reset duration	$t_{RST(L)}$	1	–	–	μs	–
6.4.25	Turn-on time $V_{DS} = 20\% V_{BAT}$	t_{ON}	5	–	60	μs	$V_{BAT} = 13.5 \text{ V}$ $I_D = 250 \text{ mA}$, resistive load
6.4.26	Turn-off time $V_{DS} = 80\% V_{BAT}$	t_{OFF}	10	–	60	μs	$V_{BAT} = 13.5 \text{ V}$ $I_D = 250 \text{ mA}$, resistive load

1) Not subject to production test, specified by design

2) calculated value based on following parameters:

 all channels on with equal load current, $R_{DS(ON)} = R_{DS(ON,150^\circ\text{C})}$, $T_A = 85 \text{ }^\circ\text{C}$, $T_{J,max} = 150 \text{ }^\circ\text{C}$, $R_{th} = R_{thJA(2s2p)}$

7 Protection Functions

Note: The device provides embedded protective functions. Integrated protection functions are designed to prevent IC destruction under fault conditions described in this data sheet. Fault conditions are considered as "outside" normal operating range. Protection functions are not designed for continuous repetitive operation.

7.1 Over Load Protection

The TLE7233EM is protected against over load or short circuit of the load. After time $t_{\text{OFF(OVL)}}$, the over loaded channel n switches off and therefore the corresponding diagnostics flag D_n is set. The channel can be switched on after clearing the diagnostics flag as described in chapter 8. Please refer to [Figure 8](#) for details.

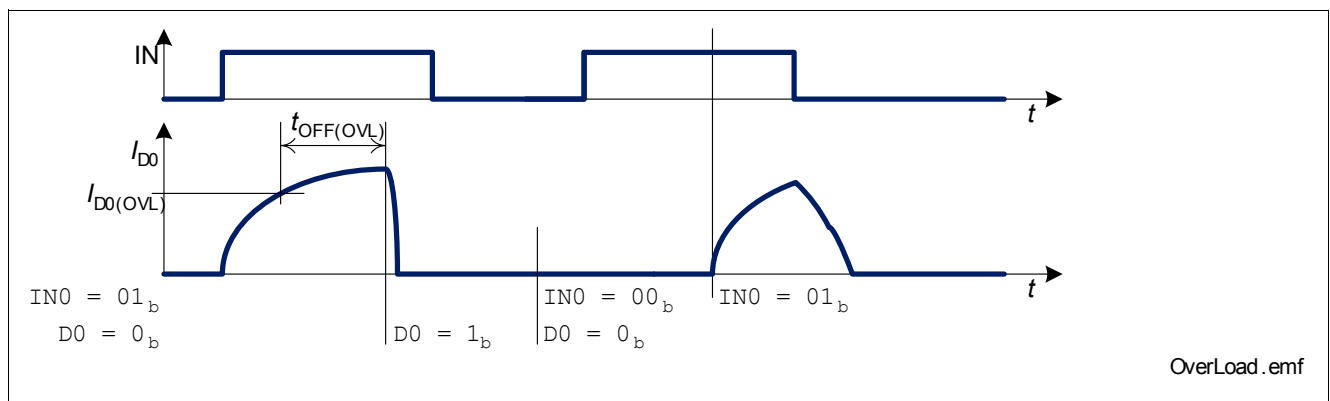


Figure 8 Shut Down at Over Load on channel 0

7.2 Over Temperature Protection

A temperature sensor for each channel causes an overheated channel n to switch off to prevent destruction. Then the according diagnostics flag D_n is set. The channel can be switched on after clearing the diagnosis flag and a junction temperature decrease of ΔT_j . Please refer to [Chapter 8](#) for information on diagnostics features.

7.3 Reverse Polarity Protection

In case of reverse polarity, the intrinsic body diode of the power transistor causes increased power dissipation. The reverse current through the intrinsic body diode of the power transistor has to be limited by the connected load. The VDD and VDDA supply pins must be externally protected against reverse polarity. The over temperature and over load protection are not active during reverse polarity.

7.4 Electrical Characteristics Protection

$V_{DD} = 3.0\text{ V}$ to V_{DDA} , $V_{DDA} = 4.5\text{ V}$ to 5.5 V , $T_J = -40\text{ °C}$ to $+150\text{ °C}$

All voltages with respect to ground, positive current flowing into pin (unless otherwise specified)

typical values: $V_{DD} = 5.0\text{ V}$, $V_{DDA} = 5.0\text{ V}$, $T_J = 25\text{ °C}$

Pos.	Parameter	Symbol	Limit Values			Unit	Conditions
			Min.	Typ.	Max.		
Over Load Protection							
7.4.1	Over load detection current	$I_{D(OVL)}$	0.5	–	0.95	A	–
7.4.2	Over load shut-down delay time	$t_{OFF(OVL)}$	5	–	60	µs	–
Over Temperature Protection							
7.4.3	Thermal shut down temperature	$T_{J(SC)}$	150	170 ¹⁾	–	°C	–
7.4.4	Thermal hysteresis	ΔT_J	–	10	–	K	– ¹⁾

1) Not subject to production test, specified by design

8 Diagnostic Features

The SPI of TLE7233EM provides diagnosis information about the device and about the load. The diagnosis information of the protective functions of channel n is latched in the diagnosis flag D_n . The open load diagnosis of channel n is latched in the diagnosis flag OL_n . Both flags are cleared by $IN_n = 00_B$ which disables the diagnosis current $I_{D(PD)}$ (a small pull down current) as well.

Following table shows possible failure modes and the according protective and diagnostic action.

Failure Mode	Comment
Open Load or short circuit to GND	<p>Diagnosis, when channel n is switched on: $IN_n = 01_B$: if input pin is high: none $IN_n = 10_B$: none</p> <p>Diagnosis, when channel n is switched off: $IN_n = 00_B$: none, diagnosis flags are cleared and the diagnosis current is switched off $IN_n = 01_B$: if input pin is low, according to voltage at the output pin, the flag OL_n is set after time $t_{d(OL)}$ $IN_n = 11_B$: according to voltage level at the output pin, the flag OL_n is set after time $t_{d(OL)}$</p>
Over temperature	<p>When over temperature occurs, the affected channel n is switched off. The according diagnosis flag D_n is set. The diagnosis flags are latched until they have been cleared by $IN_n = 00_B$. The over temperature detection is active in ON-state as well as OFF-state.</p>
Over Load (Short Circuit)	<p>When over load is detected at channel n, the affected channel is switched off after time $t_{OFF(OVL)}$ and the dedicated diagnosis flag D_n is set. The diagnosis flags are latched until they have been cleared by $IN_n = 00_B$.</p>

8.1 Open Load Diagnosis timing

The TLE7233EM offers an open load diagnosis for each channel in OFF mode.

The time $t_{d(OL)}$ is applied to filter short time events.

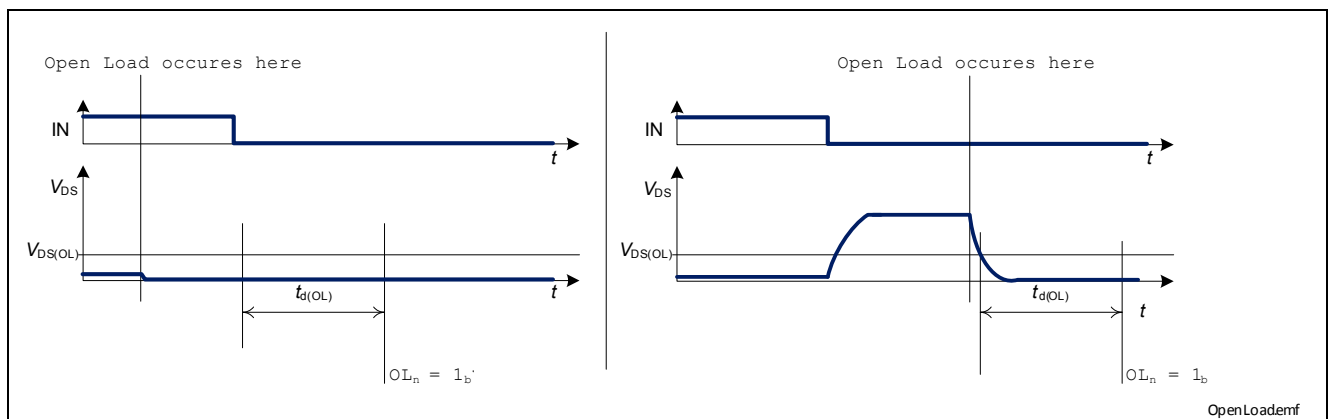


Figure 9 Open Load timing

8.2 Electrical Characteristics Diagnostic

$V_{DD} = 3.0\text{ V}$ to V_{DDA} , $V_{DDA} = 4.5\text{ V}$ to 5.5 V , $T_J = -40\text{ °C}$ to $+150\text{ °C}$

All voltages with respect to ground, positive current flowing into pin (unless otherwise specified)

typical values: $V_{DD} = 5.0\text{ V}$, $V_{DDA} = 5.0\text{ V}$, $T_J = 25\text{ °C}$

Pos.	Parameter	Symbol	Limit Values			Unit	Conditions
			Min.	Typ.	Max.		
OFF State Diagnosis							
8.2.1	Open load detection threshold voltage	$V_{DS(OL)}$	1.0	–	2.5	V	–
8.2.2	Output pull-down diagnosis current per channel	$I_{D(PD)}$	30	–	100	μA	$V_{DS} = 13.5\text{ V}$
8.2.3	Open load diagnosis delay time	$t_{d(OL)}$	30	–	200	μs	–
ON State Diagnosis							
8.2.4	Over load detection current	$I_{D(OVL)}$	0.5	–	0.95	A	–
8.2.5	Over load detection delay time	$t_{OFF(OVL)}$	5	–	60	μs	–

9 Serial Peripheral Interface (SPI)

The diagnosis and control interface is based on a serial peripheral interface (SPI).

The SPI is a full duplex synchronous serial slave interface, which uses four lines: SO, SI, SCLK and \overline{CS} . Data is transferred by the lines SI and SO at the data rate given by SCLK. The falling edge of \overline{CS} indicates the beginning of a data access. Data is sampled in on line SI at the falling edge of SCLK and shifted out on line SO at the rising edge of SCLK. Each access must be terminated by a rising edge of \overline{CS} . A modulo 8 counter ensures that data is taken only, when a multiple of 8 bit has been transferred. The interface provides daisy chain capability.

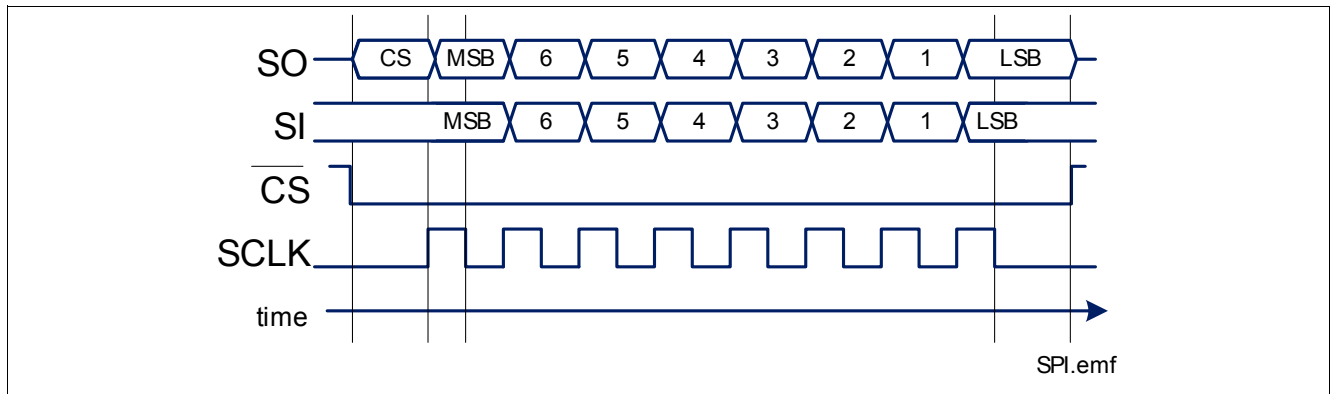


Figure 10 Serial Peripheral Interface

The SPI protocol is described in [Chapter 9.3](#). It is reset to the default values after power-on reset.

9.1 SPI Signal Description

\overline{CS} - Chip Select:

The system micro controller selects the TLE7233EM by means of the \overline{CS} pin. Whenever the pin is in low state, data transfer can take place. When \overline{CS} is in high state, any signals at the SCLK and SI pins are ignored and SO is forced into a high impedance state.

\overline{CS} High to Low transition:

- The diagnosis information is transferred into the shift register.
- SO changes from high impedance state to high or low state depending on the logic OR combination between the transmission error flag (TER) and the signal level at pin SI. As a result, even in daisy chain configuration, a high signal indicates a faulty transmission. The transmission error flag is set after any kind of reset, so a reset between two SPI commands is indicated. For details, please refer to [Figure 11](#). This information stays available to the first rising edge of SCLK.

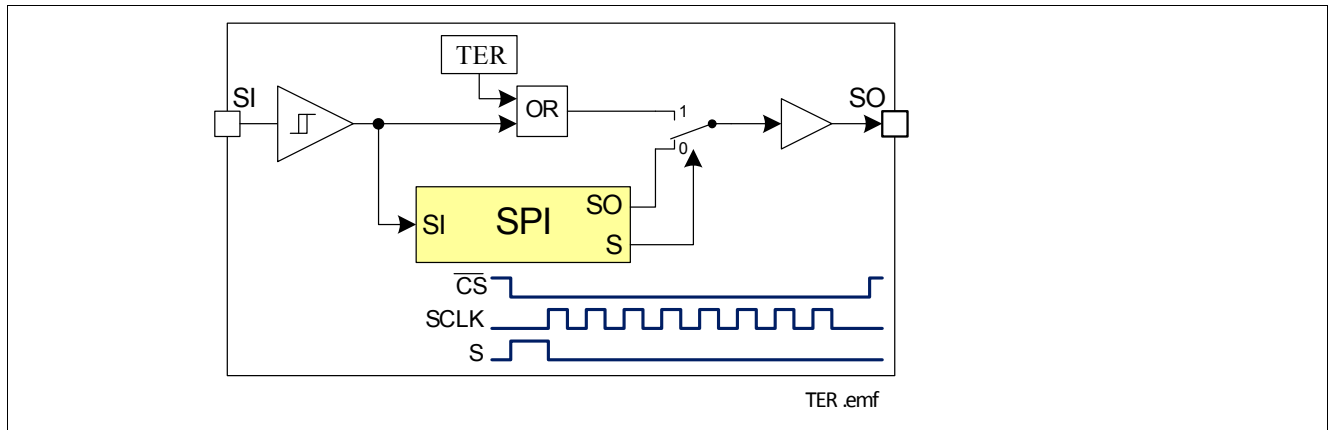


Figure 11 Transmission Error Flag on SO Line

\overline{CS} Low to High transition: 

Data from shift register is transferred into the input matrix register only, when after the falling edge of \overline{CS} exactly a multiple (1, 2, 3, ...) of eight SCLK signals have been detected.

SCLK - Serial Clock:

This input pin clocks the internal shift register. The serial input (SI) transfers data into the shift register on the falling edge of SCLK while the serial output (SO) shifts diagnostic information out on the rising edge of the serial clock. It is essential that the SCLK pin is in low state whenever chip select \overline{CS} makes any transition.

SI - Serial Input:

Serial input data bits are shifted in at this pin, the most significant bit first. SI information is read on the falling edge of SCLK. Please refer to [Chapter 9.3](#) for further information.

SO - Serial Output:

Data is shifted out serially at this pin, the most significant bit first. SO is in high impedance state until the \overline{CS} pin goes to low state. New data will appear at the SO pin following the rising edge of SCLK. Please refer to [Chapter 9.3](#) for further information.

9.2 Daisy Chain Capability

The SPI of TLE7233EM provides daisy chain capability. In this configuration several devices are activated by the same \overline{CS} signal \overline{MCS} . The SI line of one device is connected with the SO line of another device (see [Figure 12](#)), which builds a chain. The ends of the chain are connected with the output and input of the master device, MO and MI respectively. The master device provides the master clock MCLK, which is connected to the SCLK line of each device in the chain.

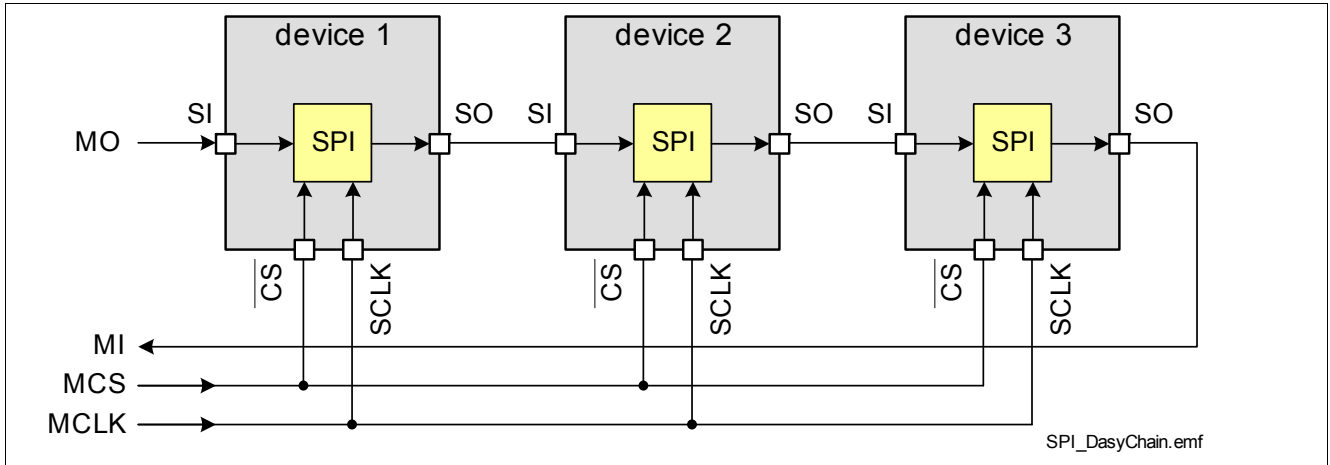


Figure 12 Daisy Chain Configuration

In the SPI block of each device, there is one shift register where one bit from SI line is shifted in each SCLK. The bit shifted out can be seen at SO. After 8 SCLK cycles, the data transfer for one device has been finished. In single chip configuration, the \overline{CS} line must transit from low to high to make the device accept the transferred data. In daisy chain configuration the data shifted out at device #1 has been shifted in to device #2. When using three devices in daisy chain, three times 8 bits have to be shifted through the devices. After that, the \overline{MCS} line must transit from low to high (see [Figure 13](#)).

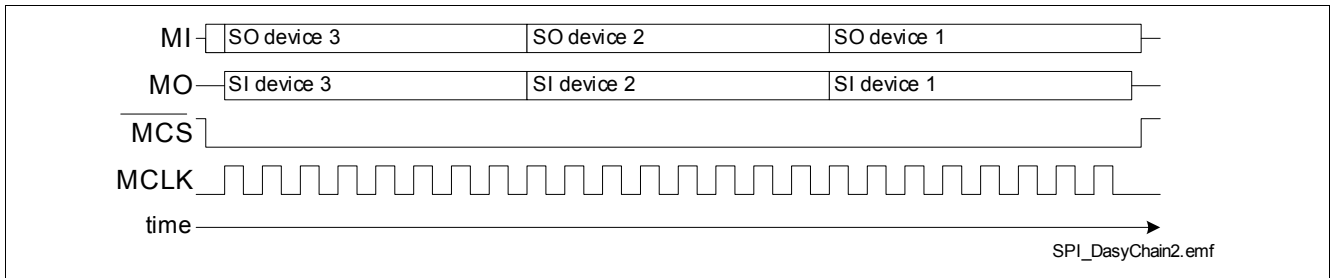
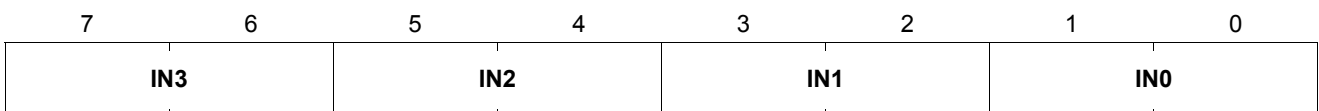


Figure 13 Data Transfer in Daisy Chain Configuration

9.3 SPI Protocol

The SPI protocol of the TLE7233EM provides two registers. The input register and the diagnosis register. The diagnosis register contains four pairs of diagnosis flags, the input register contains the input multiplexer configuration. After power-on reset, all register bits are cleared to 0.

SI



Field	Bits	Type	Description
INn (n = 3-0)	7:6, 5:4, 3:2, 1:0	W	<p>Input Register Channel n</p> <p>00_B Idle Mode: Fast channel switched off. Diagnosis flags are cleared. Diagnosis current is disabled.</p> <p>01_B Input Direct drive mode: Channel is switched according to signal at corresponding input pin. Diagnosis current is enabled in OFF-state. See Figure 5 for details.</p> <p>10_B ON Mode: Channel is switched on. Diagnosis current is enabled.</p> <p>11_B OFF Mode: Channel is switched off. Diagnosis current is enabled.</p>

SO

Reset Value: 100_H

CS ¹⁾	7	6	5	4	3	2	1	0
TER	OL3	D3	OL2	D2	OL1	D1	OL0	D0

1) This bit is valid between \overline{CS} hi -> lo and first SCLK lo -> hi transition.

Field	Bits	Type	Description
TER	CS	R	Transmission Error 0 Previous transmission was successful (modulo 8 clocks received). 1 Previous transmission failed or first transmission after reset.
OLn (n = 3-0)	7, 5, 3, 1	R	Open Load Flag of channel n 0 Normal operation. 1 Open load has occurred in OFF state.
Dn (n = 3-0)	6, 4, 2, 0	R	Diagnosis Flag of channel n 0 Normal operation. 1 Over load or over temperature switch off has occurred in ON state.

9.4 Timing Diagrams

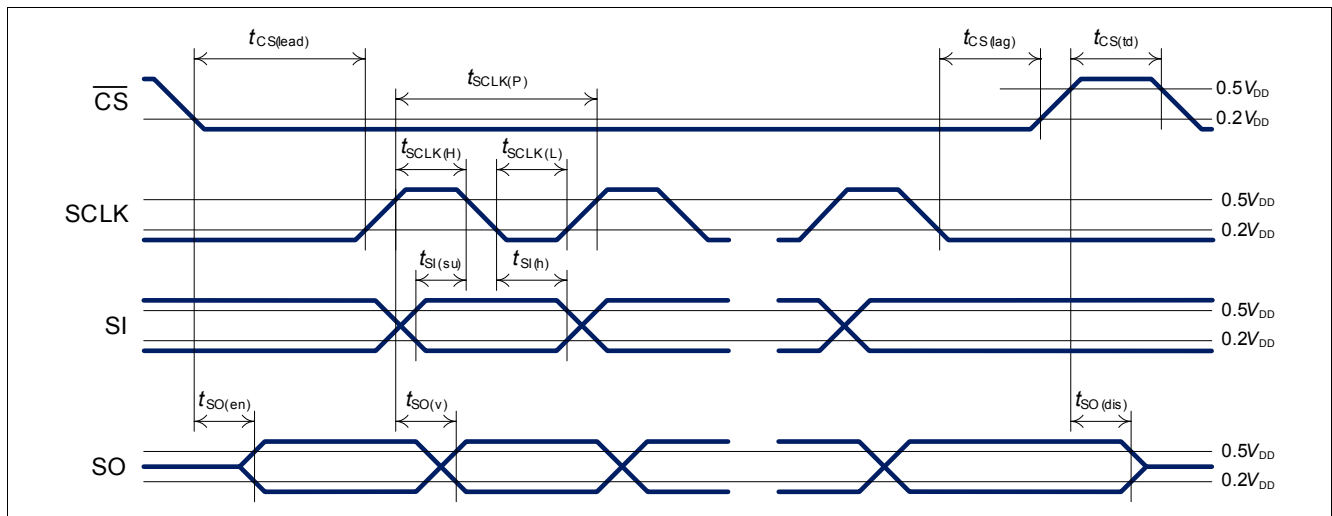


Figure 14 Timing Diagram

9.5 Electrical Characteristics SPI

$V_{DD} = 3.0\text{ V}$ to V_{DDA} , $V_{DDA} = 4.5\text{ V}$ to 5.5 V , $T_J = -40\text{ °C}$ to $+150\text{ °C}$

All voltages with respect to ground, positive current flowing into pin (unless otherwise specified)

typical values: $V_{DD} = 5.0\text{ V}$, $V_{DDA} = 5.0\text{ V}$, $T_J = 25\text{ °C}$

Pos.	Parameter	Symbol	Limit Values			Unit	Conditions
			Min.	Typ.	Max.		

Input Characteristics ($\overline{\text{CS}}$, SCLK, SI)

9.5.1	L level of pin $\overline{\text{CS}}$ SCLK SI	$V_{\text{CS(L)}}$ $V_{\text{SCLK(L)}}$ $V_{\text{SI(L)}}$	0	–	0.2* V_{DD}	–	–
9.5.2	H level of pin $\overline{\text{CS}}$ SCLK SI	$V_{\text{CS(H)}}$ $V_{\text{SCLK(H)}}$ $V_{\text{SI(H)}}$	0.5* V_{DD}	–	V_{DD}	–	–
9.5.3	L-input pull-up current through $\overline{\text{CS}}$	$I_{\text{CS(L)}}$	5	17	40	μA	$V_{\text{CS}} = 0\text{ V}$
9.5.4	H-input pull-up current through $\overline{\text{CS}}$	$I_{\text{CS(H)}}$	3	15	40	μA	¹⁾ $V_{\text{CS}} = 2\text{ V}$
9.5.5	L-input pull-down current through pin SCLK SI	$I_{\text{SCLK(L)}}$ $I_{\text{SI(L)}}$	3	12	80	μA	¹⁾ $V_{\text{SCLK}} = 0.6\text{ V}$ $V_{\text{SI}} = 0.6\text{ V}$
9.5.6	H-input pull-down current through pin SCLK SI	$I_{\text{SCLK(H)}}$ $I_{\text{SI(H)}}$	10	40	80	μA	$V_{\text{SCLK}} = 5\text{ V}$ $V_{\text{SI}} = 5\text{ V}$

Output Characteristics (SO)

9.5.7	L level output voltage	$V_{\text{SO(L)}}$	0	–	0.4	V	$I_{\text{SO}} = -2\text{ mA}$
9.5.8	H level output voltage	$V_{\text{SO(H)}}$	$V_{DD} - 0.5\text{ V}$	–	V_{DD}	–	$I_{\text{SO}} = 1.5\text{ mA}$
9.5.9	Output tristate leakage current	$I_{\text{SO(OFF)}}$	-10	–	10	μA	$V_{\text{CS}} = V_{DD}$

Timings

9.5.10	Serial clock frequency	f_{SCLK}	0	–	5	MHz	–
9.5.11	Serial clock period	$t_{\text{SCLK(P)}}$	200	–	–	ns	–
9.5.12	Serial clock high time	$t_{\text{SCLK(H)}}$	50	–	–	ns	–
9.5.13	Serial clock low time	$t_{\text{SCLK(L)}}$	50	–	–	ns	–
9.5.14	Enable lead time (falling $\overline{\text{CS}}$ to rising SCLK)	$t_{\text{CS(lead)}}$	250	–	–	ns	–
9.5.15	Enable lag time (falling SCLK to rising $\overline{\text{CS}}$)	$t_{\text{CS(lag)}}$	250	–	–	ns	–
9.5.16	Transfer delay time (rising $\overline{\text{CS}}$ to falling $\overline{\text{CS}}$)	$t_{\text{CS(td)}}$	250	–	–	ns	–
9.5.17	Data setup time (required time SI to falling SCLK)	$t_{\text{SI(su)}}$	20	–	–	ns	–

$V_{DD} = 3.0\text{ V}$ to V_{DDA} , $V_{DDA} = 4.5\text{ V}$ to 5.5 V , $T_J = -40\text{ °C}$ to $+150\text{ °C}$

All voltages with respect to ground, positive current flowing into pin (unless otherwise specified)

typical values: $V_{DD} = 5.0\text{ V}$, $V_{DDA} = 5.0\text{ V}$, $T_J = 25\text{ °C}$

Pos.	Parameter	Symbol	Limit Values			Unit	Conditions
			Min.	Typ.	Max.		
9.5.18	Data hold time (falling SCLK to SI)	$t_{SI(h)}$	20	–	–	ns	–
9.5.19	Output enable time (falling \overline{CS} to SO valid)	$t_{SO(en)}$	–	–	200	ns	$C_L = 50\text{ pF}^{1)}$
9.5.20	Output disable time (rising \overline{CS} to SO tri-state)	$t_{SO(dis)}$	–	–	200	ns	$C_L = 50\text{ pF}^{1)}$
9.5.21	Output data valid time with capacitive load	$t_{SO(v)}$	–	–	100	ns	$C_L = 50\text{ pF}^{1)}$

1) Not subject to production test, specified by design.

10 Application Information

Note: The following information is given as a hint for the implementation of the device only and shall not be regarded as a description or warranty of a certain functionality, condition or quality of the device.

Figure 15 shows a simplified application circuit. V_{DDA} and V_{DD} need to be reverse protected. Also the Resistors at the digital pins are for reverse polarity protection.

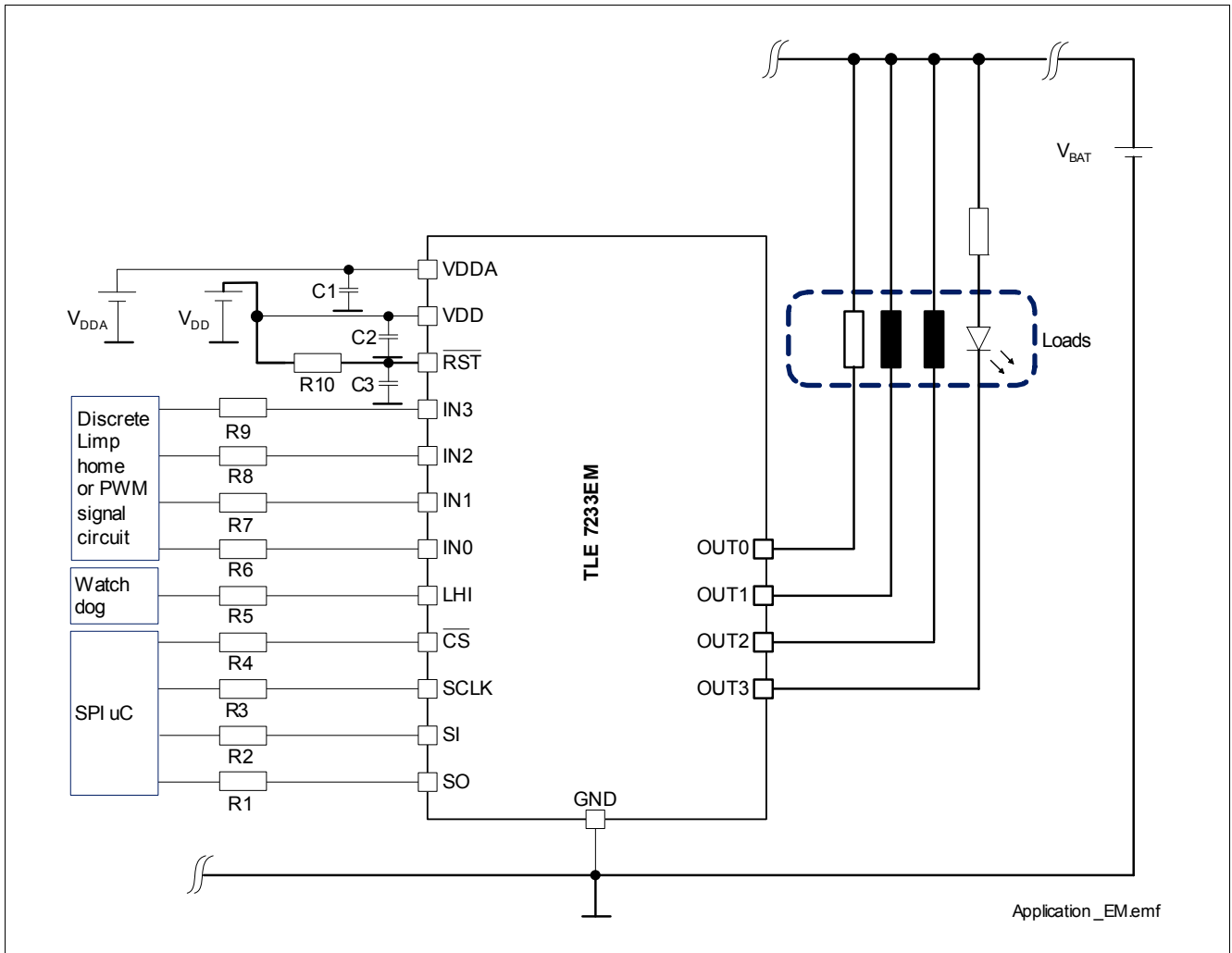


Figure 15 Application Diagram

Note: This is a very simplified example of an application circuit. The function must be verified in the real application.

C1,C2,C3 are recommended to be 4.7 nF and all Resistors can be 1 k Ω .

For further information you may contact <http://www.infineon.com/>

11 Package Outlines

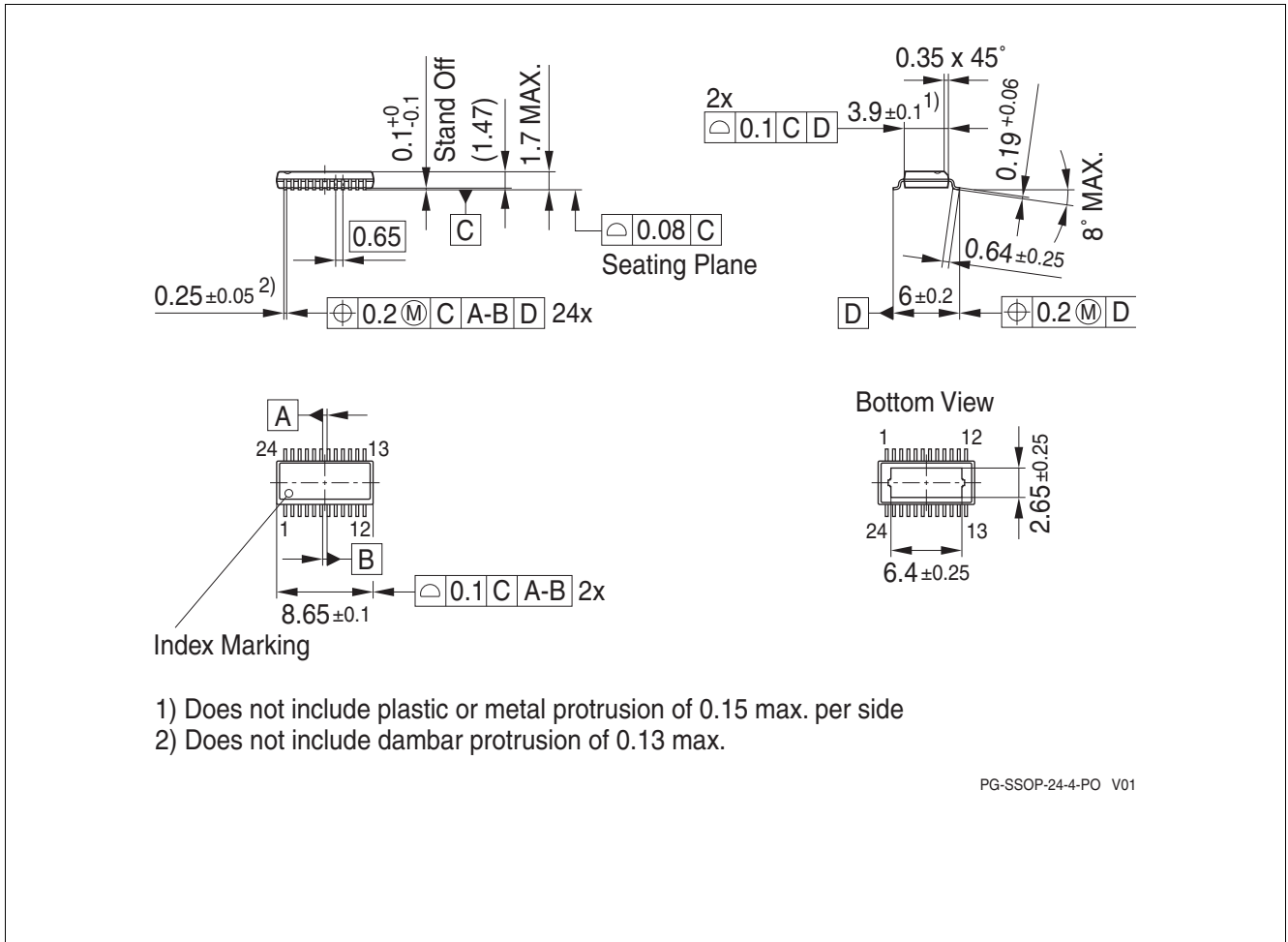


Figure 16 PG-SSOP-24-4 (Plastic Green Shrink Small Outline Package)

Green Product (RoHS compliant)

To meet the world-wide customer requirements for environmentally friendly products and to be compliant with government regulations the device is available as a green product. Green products are RoHS-Compliant (i.e Pb-free finish on leads and suitable for Pb-free soldering according to IPC/JEDEC J-STD-020).

12 Revision History

Version	Date	Changes
Rev. 1.2	2014-05-09	<p>Page 7, V_{DDA}, description added</p> <p>Page 10, 4.2.3 $I_{DD(ON)}$ max. limit changed from 0.5 mA to 100 μA</p> <p>Page 10, 4.2.4 $I_{DDA(ON)}$ max. limit changed from 5 mA to 3 mA</p> <p>Page 14, 6.1 cross references to Figure 4 and Figure 5 changed</p> <p>Page 17, 6.4.2 $I_{DD(ON)}$ max. limit changed from 0.5 mA to 100 μA</p> <p>Page 17, 6.4.3 $I_{DD(idle)}$ max. limit changed from 40 μA to 20 μA at $T_J = 150\text{ }^\circ\text{C}$</p> <p>Page 17, 6.4.4 $I_{DD(sleep)}$ max. limit changed from 5 μA to 1 μA at $T_J = 25\text{ }^\circ\text{C}$</p> <p>Page 17, 6.4.4 $I_{DD(sleep)}$ max. limit changed from 5 μA to 2 μA at $T_J = 85\text{ }^\circ\text{C}$</p> <p>Page 17, 6.4.4 $I_{DD(sleep)}$ max. limit changed from 20 μA to 5 μA at $T_J = 150\text{ }^\circ\text{C}$</p> <p>Page 17, 6.4.7 $I_{DDA(ON)}$ max. limit changed from 5 mA to 3 mA</p> <p>Page 17, 6.4.8 $I_{DDA(idle)}$ max. limit changed from 25 μA to 50 μA at $T_J = 85\text{ }^\circ\text{C}$</p> <p>Page 17, 6.4.8 $I_{DDA(idle)}$ max. limit changed from 25 μA to 100 μA at $T_J = 150\text{ }^\circ\text{C}$</p> <p>Page 17, 6.4.9 $I_{DDA(sleep)}$ max. limit changed from 5 μA to 1 μA at $T_J = 25\text{ }^\circ\text{C}$</p> <p>Page 17, 6.4.9 $I_{DDA(sleep)}$ max. limit changed from 5 μA to 3 μA at $T_J = 85\text{ }^\circ\text{C}$</p> <p>Page 17, 6.4.9 $I_{DDA(sleep)}$ max. limit changed from 20 μA to 5 μA at $T_J = 150\text{ }^\circ\text{C}$</p> <p>Page 18, 6.4.14 $V_{DS(CL)}$ max. limit changed from 52 V to 54 V and footnote 3) removed</p> <p>Page 18, 6.4.15 $V_{IN(L)}$ max. limit changed from 0.9 V to 0.7 V</p> <p>Page 18, 6.4.16 $V_{IN(H)}$ min. limit changed from 2.2 V to 2.0 V</p> <p>Page 18, 6.4.25 t_{ON} min. limit added</p> <p>Page 18, 6.4.26 t_{OFF} min. limit added</p> <p>Figure 9 "Open Load timing" on Page 21 updated</p> <p>Page 22, 8.2.2 $I_{D(PD)}$, min. limit added</p> <p>Figure 14 "Timing Diagram" on Page 27 updated</p>
Rev. 1.1	2012-03-27	<p>Figure 2 LHI pin added</p> <p>4.3 R_{thJSP} changed to R_{thJC}</p> <p>4.3 JEDEC JESD51-2,-3 changed to JEDEC JESD51-2,-7</p> <p>6.4 $I_{DD(sleep)}$ changed to $I_{DDA(sleep)}$</p> <p>6.4 I_L changed to I_D</p>
Rev. 1.0	2012-02-29	Datasheet released

Edition 2014-05-09

**Published by
Infineon Technologies AG
81726 Munich, Germany**

**© 2014 Infineon Technologies AG
All Rights Reserved.**

Legal Disclaimer

The information given in this document shall in no event be regarded as a guarantee of conditions or characteristics. With respect to any examples or hints given herein, any typical values stated herein and/or any information regarding the application of the device, Infineon Technologies hereby disclaims any and all warranties and liabilities of any kind, including without limitation, warranties of non-infringement of intellectual property rights of any third party.

Information

For further information on technology, delivery terms and conditions and prices, please contact the nearest Infineon Technologies Office (www.infineon.com).

Warnings

Due to technical requirements, components may contain dangerous substances. For information on the types in question, please contact the nearest Infineon Technologies Office.

Infineon Technologies components may be used in life-support devices or systems only with the express written approval of Infineon Technologies, if a failure of such components can reasonably be expected to cause the failure of that life-support device or system or to affect the safety or effectiveness of that device or system. Life support devices or systems are intended to be implanted in the human body or to support and/or maintain and sustain and/or protect human life. If they fail, it is reasonable to assume that the health of the user or other persons may be endangered.