

TLE9262-3BQXV33

System Basis Chip

Mid-Range+ System Basis Chip Family

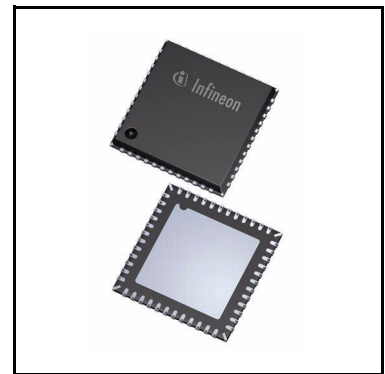


RoHS



Features

- Two integrated Low-Drop Voltage Regulators: Main regulator (5 V or 3.3 V up to 250 mA) and auxiliary regulator (5 V up to 100 mA) with off-board usage protection
- Voltage regulator (5 V, 3.3 V or 1.8 V) with external PNP transistor configurable for off-board usage or for load sharing
- 1 high-speed CAN transceiver supporting FD communication up to 5 Mbit/s featuring CAN Partial Networking & CAN FD tolerant mode according to ISO 11898-2:2016 & SAE J2284
- LIN transceiver LIN 2.2/ISO 17987-4/SAE J2602
- 4 high-side outputs 7 Ω typ., 2 HV GPIOs, 3 HV wake inputs
- Integrated fail-safe and supervision functions, e.g. fail-safe, watchdog, interrupt- and reset outputs
- 16-bit SPI for configuration and diagnostics



Potential applications

- Body Control Modules (BMC), Passive keyless entry and start modules, Gateway applications
- Heating, ventilation and air conditioning (HVAC)
- Seat, roof, tailgate, trailer, door and other closure modules
- Light control modules
- Gear shifters and selectors

Product validation

Qualified for automotive applications. Product validation according to AEC-Q100/101.

Description

Body System IC with Integrated Voltage Regulators, Power Management Functions, HS-CAN Transceiver supporting CAN FD featuring Partial Networking (incl. FD Tolerant Mode) and LIN Transceiver. Featuring Multiple High-Side Switches and High-Voltage Wake Inputs.

| Type | Package | Marking |
|-----------------|---------------|-----------------|
| TLE9262-3BQXV33 | PG-VQFN-48-31 | TLE9262-3BQXV33 |

Table of Contents

| | | |
|----------|---|-----------|
| | Features | 1 |
| | Potential applications | 1 |
| | Product validation | 1 |
| | Description | 1 |
| | Table of Contents | 2 |
| 1 | Overview | 6 |
| 2 | Block Diagram | 8 |
| 3 | Pin Configuration | 9 |
| 3.1 | Pin Assignment | 9 |
| 3.2 | Pin Definitions and Functions | 10 |
| 3.3 | Hints for Unused Pins | 12 |
| 3.4 | Hints for Alternate Pin Functions | 12 |
| 4 | General Product Characteristics | 13 |
| 4.1 | Absolute Maximum Ratings | 13 |
| 4.2 | Functional Range | 15 |
| 4.3 | Thermal Resistance | 16 |
| 4.4 | Current Consumption | 17 |
| 5 | System Features | 22 |
| 5.1 | Block Description of State Machine | 23 |
| 5.1.1 | Device Configuration and SBC Init Mode | 24 |
| 5.1.1.1 | Device Configuration | 24 |
| 5.1.1.2 | SBC Init Mode | 27 |
| 5.1.2 | SBC Normal Mode | 28 |
| 5.1.3 | SBC Stop Mode | 29 |
| 5.1.4 | SBC Sleep Mode | 30 |
| 5.1.5 | SBC Restart Mode | 31 |
| 5.1.6 | SBC Fail-Safe Mode | 32 |
| 5.1.7 | SBC Development Mode | 33 |
| 5.2 | Wake Features | 35 |
| 5.2.1 | Cyclic Sense | 35 |
| 5.2.1.1 | Configuration and Operation of Cyclic Sense | 36 |
| 5.2.1.2 | Cyclic Sense in Low Power Mode | 39 |
| 5.2.2 | Cyclic Wake | 40 |
| 5.2.3 | Internal Timer | 41 |
| 5.3 | Supervision Features | 41 |
| 5.4 | Partial Networking on CAN | 42 |
| 5.4.1 | CAN Partial Networking - Selective Wake Feature | 42 |
| 5.4.2 | SBC Partial Networking Function | 43 |
| 5.4.2.1 | Activation of SWK | 44 |
| 5.4.2.2 | Wake-up Pattern (WUP) | 45 |
| 5.4.2.3 | Wake-up Frame (WUF) | 45 |
| 5.4.2.4 | CAN Protocol Error Counter | 46 |
| 5.4.3 | Diagnoses Flags | 47 |

| | | |
|----------|---|-----------|
| 5.4.3.1 | PWRON/RESET-FLAG | 47 |
| 5.4.3.2 | BUSERR-Flag | 47 |
| 5.4.3.3 | TXD Dominant Time-out flag | 47 |
| 5.4.3.4 | WUP Flag | 47 |
| 5.4.3.5 | WUF Flag (WUF) | 47 |
| 5.4.3.6 | SYSEERR Flag (SYSEERR) | 47 |
| 5.4.3.7 | Configuration Error | 47 |
| 5.4.3.8 | CAN Bus Timeout-Flag (CANTO) | 48 |
| 5.4.3.9 | CAN Bus Silence-Flag (CANSIL) | 48 |
| 5.4.3.10 | SYNC-FLAG (SYNC) | 48 |
| 5.4.3.11 | SWK_SET FLAG (SWK_SET) | 48 |
| 5.4.4 | SBC Modes for Selective Wake (SWK) | 50 |
| 5.4.4.1 | SBC Normal Mode with SWK | 50 |
| 5.4.4.2 | SBC Stop Mode with SWK | 51 |
| 5.4.4.3 | SBC Sleep Mode with SWK | 52 |
| 5.4.4.4 | SBC Restart Mode with SWK | 53 |
| 5.4.4.5 | SBC Fail-Safe Mode with SWK | 54 |
| 5.4.5 | Wake-up | 54 |
| 5.4.6 | Configuration for SWK | 54 |
| 5.4.7 | CAN Flexible Data Rate (CAN FD) Tolerant Mode | 56 |
| 5.4.8 | Clock and Data Recovery | 57 |
| 5.4.8.1 | Configuring the Clock Data Recovery for SWK | 57 |
| 5.4.8.2 | Setup of Clock and Data Recovery | 58 |
| 5.4.9 | Electrical Characteristics | 59 |
| 6 | Voltage Regulator 1 | 60 |
| 6.1 | Block Description | 60 |
| 6.2 | Functional Description | 61 |
| 6.3 | Electrical Characteristics | 62 |
| 7 | Voltage Regulator 2 | 65 |
| 7.1 | Block Description | 65 |
| 7.2 | Functional Description | 66 |
| 7.2.1 | Short to Battery Protection | 66 |
| 7.3 | Electrical Characteristics | 67 |
| 8 | External Voltage Regulator 3 | 70 |
| 8.1 | Block Description | 70 |
| 8.2 | Functional Description | 71 |
| 8.2.1 | External Voltage Regulator as Independent Voltage Regulator | 72 |
| 8.2.2 | External Voltage Regulator in Load Sharing Mode | 73 |
| 8.3 | External Components | 74 |
| 8.4 | Calculation of R_{SHUNT} | 75 |
| 8.5 | Unused Pins | 75 |
| 8.6 | Electrical Characteristics | 76 |
| 9 | High-Side Switch | 81 |
| 9.1 | Block Description | 81 |
| 9.2 | Functional Description | 81 |
| 9.2.1 | Over- and Undervoltage Switch Off | 82 |

| | | |
|-----------|--|------------|
| 9.2.2 | Overcurrent Detection and Switch Off | 82 |
| 9.2.3 | Open Load Detection | 82 |
| 9.2.4 | HSx Operation in Different SBC Modes | 82 |
| 9.2.5 | PWM and Timer Function | 83 |
| 9.3 | Electrical Characteristics | 84 |
| 10 | High Speed CAN Transceiver | 85 |
| 10.1 | Block Description | 85 |
| 10.2 | Functional Description | 85 |
| 10.2.1 | CAN OFF Mode | 87 |
| 10.2.2 | CAN Normal Mode | 87 |
| 10.2.3 | CAN Receive Only Mode | 88 |
| 10.2.4 | CAN Wake Capable Mode | 88 |
| 10.2.5 | TXD Time-out Feature | 91 |
| 10.2.6 | Bus Dominant Clamping | 91 |
| 10.2.7 | Undervoltage Detection | 91 |
| 10.3 | Electrical Characteristics | 92 |
| 11 | LIN Transceiver | 99 |
| 11.1 | Block Description | 99 |
| 11.1.1 | LIN Specifications | 99 |
| 11.2 | Functional Description | 100 |
| 11.2.1 | LIN OFF Mode | 100 |
| 11.2.2 | LIN Normal Mode | 101 |
| 11.2.3 | LIN Receive Only Mode | 101 |
| 11.2.4 | LIN Wake Capable Mode | 102 |
| 11.2.5 | TXD Time-out Feature | 103 |
| 11.2.6 | Bus Dominant Clamping | 103 |
| 11.2.7 | Undervoltage Detection | 103 |
| 11.2.8 | Slope Selection | 104 |
| 11.2.9 | Flash Programming via LIN | 104 |
| 11.3 | Electrical Characteristics | 105 |
| 12 | Wake and Voltage Monitoring Inputs | 110 |
| 12.1 | Block Description | 110 |
| 12.2 | Functional Description | 111 |
| 12.2.1 | Wake Input Configuration | 112 |
| 12.2.2 | Alternate Measurement Function with WK1 and WK2 | 114 |
| 12.2.2.1 | Block Description | 114 |
| 12.2.2.2 | Functional Description | 114 |
| 12.3 | Electrical Characteristics | 115 |
| 13 | Interrupt Function | 117 |
| 13.1 | Block and Functional Description | 117 |
| 13.2 | Electrical Characteristics | 119 |
| 14 | Fail Outputs | 120 |
| 14.1 | Block and Functional Description | 120 |
| 14.1.1 | General Purpose I/O Functionality of FO2 and FO3 as Alternate Function | 121 |
| 14.2 | Electrical Characteristics | 123 |

| | | |
|-----------|---|------------|
| 15 | Supervision Functions | 125 |
| 15.1 | Reset Function | 125 |
| 15.1.1 | Reset Output Description | 125 |
| 15.1.2 | Soft Reset Description | 126 |
| 15.2 | Watchdog Function | 127 |
| 15.2.1 | Time-Out Watchdog | 128 |
| 15.2.2 | Window Watchdog | 129 |
| 15.2.3 | Watchdog Setting Check Sum | 130 |
| 15.2.4 | Watchdog during SBC Stop Mode | 131 |
| 15.2.5 | Watchdog Start in SBC Stop Mode due to Bus Wake | 132 |
| 15.3 | VS Power On Reset | 133 |
| 15.4 | Undervoltage VS and VSHS | 134 |
| 15.5 | Overvoltage VSHS | 134 |
| 15.6 | VCC1 Over-/ Undervoltage and Undervoltage Prewarning | 134 |
| 15.6.1 | VCC1 Undervoltage and Undervoltage Prewarning | 134 |
| 15.6.2 | VCC1 Overvoltage | 135 |
| 15.7 | VCC1 Short Circuit and VCC3 Diagnostics | 136 |
| 15.8 | VCC2 Undervoltage and VCAN Undervoltage | 136 |
| 15.9 | Thermal Protection | 137 |
| 15.9.1 | Individual Thermal Shutdown | 137 |
| 15.9.2 | Temperature Prewarning | 138 |
| 15.9.3 | SBC Thermal Shutdown | 138 |
| 15.10 | Electrical Characteristics | 139 |
| 16 | Serial Peripheral Interface | 143 |
| 16.1 | SPI Block Description | 143 |
| 16.2 | Failure Signalization in the SPI Data Output | 144 |
| 16.3 | SPI Programming | 146 |
| 16.4 | SPI Bit Mapping | 148 |
| 16.5 | SPI Control Registers | 151 |
| 16.5.1 | General Control Registers | 152 |
| 16.5.2 | Selective Wake Control Registers | 170 |
| 16.5.3 | Selective Wake Trimming and Calibration Control Registers | 181 |
| 16.6 | SPI Status Information Registers | 186 |
| 16.6.1 | General Status Registers | 187 |
| 16.6.2 | Selective Wake Status Registers | 198 |
| 16.6.3 | Family and Product Information Register | 201 |
| 16.7 | Electrical Characteristics | 202 |
| 17 | Application Information | 204 |
| 17.1 | Application Diagram | 204 |
| 17.2 | ESD Tests | 209 |
| 17.3 | Thermal Behavior of Package | 210 |
| 18 | Package Outlines | 212 |
| 19 | Revision History | 213 |

Overview

1 Overview

Scalable System Basis Chip Family

- Product family with various products for complete scalable application coverage.
- Dedicated Data Sheets are available for the different product variants
- Complete compatibility (hardware and software) across the family
- TLE9263 with 2 LIN transceivers, 3 voltage regulators
- TLE9262 with 1 LIN transceiver, 3 voltage regulators
- TLE9261 without LIN transceivers, 3 voltage regulators
- Product variants for 5V (TLE926xQX) and 3.3V (TLE926xQXV33) output voltage for main voltage regulator
- CAN Partial Networking variants for 5V (TLE926x-3QX) and 3.3V (TLE926x-3QXV33) output voltage

Device Description

The TLE9262-3BQXV33 is a monolithic integrated circuit in an exposed pad VQFN-48 (7mm x 7mm) power package with Lead Tip Inspection (LTI) feature to support Automatic Optical Inspection (AOI).

The device is designed for various CAN-LIN automotive applications as main supply for the microcontroller and as interface for a LIN and CAN bus network including the CAN Partial Networking feature.

To support these applications, the System Basis Chip (SBC) provides the main functions, such as a 3.3V low-dropout voltage regulator (LDO) for e.g. a microcontroller supply, another 5V low-dropout voltage regulator with off-board protection for e.g. sensor supply, another 3.3V/1.8V regulator to drive an external PNP transistor, which can be used as an independent supply for off-board usage or in load sharing configuration with the main regulator VCC1, a HS-CAN transceiver supporting CAN FD and CAN Partial Networking (incl. FD tolerant mode) and LIN transceiver for data transmission, high-side switches with embedded protective functions and a 16-bit Serial Peripheral Interface (SPI) to control and monitor the device. Also implemented are a configurable timeout / window watchdog circuit with a reset feature, three Fail Outputs and an undervoltage reset feature.

The device offers low-power modes in order to minimize current consumption on applications that are connected permanently to the battery. A wake-up from the low-power mode is possible via a message on the buses, via the bi-level sensitive monitoring/wake-up inputs as well as via cyclic wake.

The device is designed to withstand the severe conditions of automotive applications.

Overview

Product Features

- Very low quiescent current consumption in Stop- and Sleep Mode
- Periodic Cyclic Wake in SBC Normal- and Stop Mode
- Periodic Cyclic Sense in SBC Normal-, Stop- and Sleep Mode
- Low-Drop Voltage Regulator 3.3V, 250mA
- Low-Drop Voltage Regulator 5V, 100mA, protected features for off-board usage
- Low-Drop Voltage Regulator, driving an external PNP transistor - 3.3V in load sharing configuration or 3.3V/1.8V in stand-alone configuration, protected features for off-board usage. Current limitation by shunt resistor (up to 350mA with 470mΩ external shunt resistor) in stand-alone configuration
- High-Speed CAN Transceiver:
 - fully compliant to HS-CAN standard ISO 11898-2:2016
 - fully compliant to CAN Partial Networking including CAN FD tolerant feature (acc. ISO 11898-2:2016)
 - supporting CAN FD communication up to 5 Mbps
- LIN Transceiver LIN 2.2/ISO 17987-4/SAE J2602 with configurable TXD timeout feature and LIN Flash Mode
- Fully compliant to “Hardware Requirements for LIN, CAN and FlexRay Interfaces in Automotive Applications” Revision 1.3, 2012-05-04
- Four High-Side Outputs 7Ω typ.
- Dedicated supply pin for High-Side Outputs
- Two General Purpose High-Voltage In- and Outputs (GPIOs) configurable as add. Fail Outputs, Wake Inputs, Low-Side switches or High-Side switches
- Three universal High-Voltage Wake Inputs for voltage level monitoring
- Alternate High-Voltage Measurement Function, e.g. for battery voltage sensing
- Configurable wake-up sources
- Reset Output
- Configurable timeout and window watchdog
- Up to three Fail Outputs (depending on configuration)
- Overtemperature and short circuit protection feature
- Wide supply input voltage and temperature range
- Software compatible to all SBC families TLE926x and TLE927x
- Green Product (RoHS compliant) & AEC Qualified
- PG-VQFN-48 leadless exposed-pad power package with Lead Tip Inspection (LTI) feature to support Automatic Optical Inspection (AOI)

Pin Configuration

3 Pin Configuration

3.1 Pin Assignment

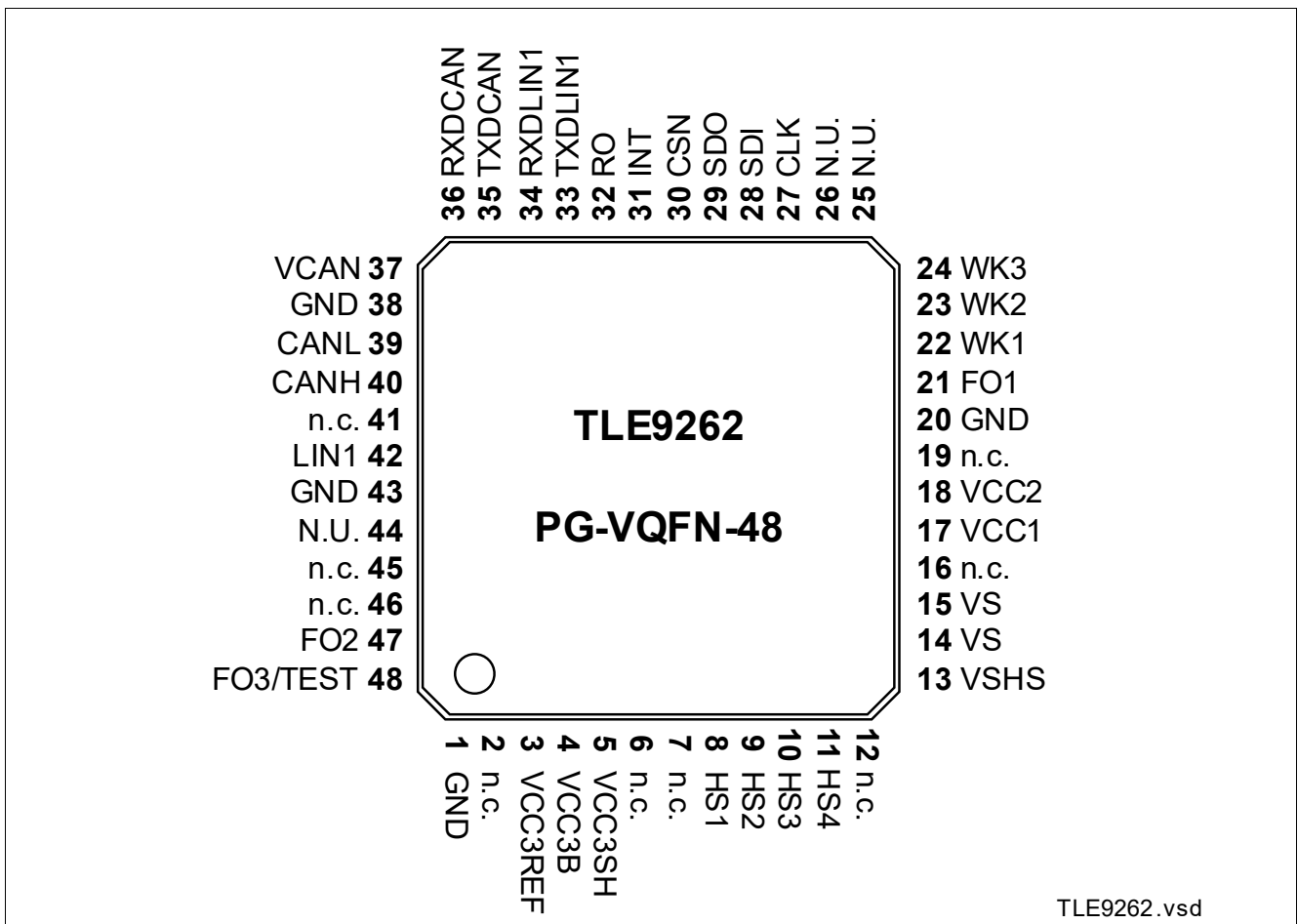


Figure 2 Pin Configuration

Pin Configuration

3.2 Pin Definitions and Functions

| Pin | Symbol | Function |
|-----|---------|--|
| 1 | GND | Ground |
| 2 | n.c. | not connected ; internally not bonded. |
| 3 | VCC3REF | VCC3REF ; Collector connection for external PNP, reference input |
| 4 | VCC3B | VCC3B ; Base connection for external PNP |
| 5 | VCC3SH | VCC3SH ; Emitter connection for external PNP, shunt connection |
| 6 | n.c. | not connected ; internally not bonded. |
| 7 | n.c. | not connected ; internally not bonded. |
| 8 | HS1 | High Side Output 1 ; typ. 7Ω |
| 9 | HS2 | High Side Output 2 ; typ. 7Ω |
| 10 | HS3 | High Side Output 3 ; typ. 7Ω |
| 11 | HS4 | High Side Output 4 ; typ. 7Ω |
| 12 | n.c | not connected ; internally not bonded. |
| 13 | VSHS | Supply Voltage HS, LIN and GPIO1/2 in HS configuration; Supply voltage for High-Side Switches and LIN modules and respective UV-/OV supervision; Connected to battery voltage with reverse protection diode and filter against EMC ; connect to VS if separate supply is not needed |
| 14 | VS | Supply Voltage; Supply voltage for chip internal supply and voltage regulators; Connected to Battery Voltage with external reverse protection Diode and Filter against EMC |
| 15 | VS | Supply Voltage; Supply voltage for chip internal supply and voltage regulators; Connected to Battery Voltage with external reverse protection Diode and Filter against EMC |
| 16 | n.c. | not connected ; internally not bonded. |
| 17 | VCC1 | Voltage Regulator Output 1 |
| 18 | VCC2 | Voltage Regulator Output 2 |
| 19 | n.c. | not connected ; internally not bonded. |
| 20 | GND | GND |
| 21 | FO1 | Fail Output 1 |
| 22 | WK1 | Wake Input 1 ; Alternative function: HV-measurement function input pin (only in combination with WK2, see Chapter 12.2.2) |
| 23 | WK2 | Wake Input 2 ; Alternative function: HV-measurement function output pin (only in combination with WK1, see Chapter 12.2.2) |
| 24 | WK3 | Wake Input 3 |
| 25 | N.U. | Not Used ; Used for internal testing purpose. Do not connect, leave open |
| 26 | N.U. | Not Used ; Used for internal testing purpose. Do not connect, leave open |
| 27 | CLK | SPI Clock Input |
| 28 | SDI | SPI Data Input; into SBC (=MOSI) |
| 29 | SDO | SPI Data Output; out of SBC (=MISO) |

Pin Configuration

| Pin | Symbol | Function |
|-------------|----------|---|
| 30 | CSN | SPI Chip Select Not Input |
| 31 | INT | Interrupt Output ; used as wake-up flag for microcontroller in SBC Stop or Normal Mode and for indicating failures. Active low. During start-up used to set the SBC configuration. External pull-up sets config 1/3, no external pull-up sets config 2/4. |
| 32 | RO | Reset Output |
| 33 | TXDLIN1 | Transmit LIN1 |
| 34 | RXDLIN1 | Receive LIN1 |
| 35 | TXDCAN | Transmit CAN ; alternate function: calibration of high-precision oscillator |
| 36 | RXDCAN | Receive CAN |
| 37 | VCAN | Supply Input; for internal HS-CAN cell |
| 38 | GND | GND |
| 39 | CANL | CAN Low Bus Pin |
| 40 | CANH | CAN High Bus Pin |
| 41 | n.c. | not connected ; internally not bonded. |
| 42 | LIN1 | LIN1 Bus ; Bus line for the LIN interface, according to LIN 2.2/ISO 17987-4 as well as SAE J2602-2. |
| 43 | GND | Ground |
| 44 | N.U. | Not Used ; Used for internal testing purpose. Do not connect, leave open |
| 45 | n.c. | not connected ; internally not bonded. |
| 46 | n.c. | not connected ; internally not bonded. |
| 47 | FO2 | Fail Output 2 - Side Indicator ; Side indicators 1.25Hz 50% duty cycle output; Open drain. Active LOW. Alternative Function: GPIO1 ; configurable pin as WK, or LS, or HS supplied by VSHS (default is FO2, see also Chapter 14.1.1) |
| 48 | FO3/TEST | Fail Output 3 - Pulsed Light Output ; Break/rear light 100Hz 20% duty cycle output; Open drain. Active LOW TEST ; Connect to GND to activate SBC Development Mode; Integrated pull-up resistor. Connect to VS with pull-up resistor or leave open for normal operation. Alternative Function: GPIO2 ; configurable pin as WK, or LS, or HS supplied by VSHS (default is FO3, see also Chapter 14.1.1) |
| Cooling Tab | GND | Cooling Tab - Exposed Die Pad; For cooling purposes only, do not use as an electrical ground. ¹⁾ |

1) The exposed die pad at the bottom of the package allows better power dissipation of heat from the SBC via the PCB. The exposed die pad is not connected to any active part of the IC and can be left floating or it can be connected to GND (recommended) for the best EMC performance.

Note: *all VS Pins must be connected to battery potential or insert a reverse polarity diodes where required; all GND pins as well as the Cooling Tab must be connected to one common GND potential; note that the tie bars at each package corner are connected to the cooling tab (see also [Chapter 18](#))*

Pin Configuration

3.3 Hints for Unused Pins

It must be ensured that the correct configurations are also selected, i.e. in case functions are not used that they are disabled via SPI:

- WK1/2/3: connect to GND and disable WK inputs via SPI
- HSx: leave open
- LINx, RXDLINx, TXDLINx, CANH/L, RXDCAN, TXDCAN: leave all pins open
- RO / FOx: leave open
- INT: leave open
- TEST: connect to GND during power-up to activate SBC Development Mode; connect to VS or leave open for normal user mode operation
- VCC2: leave open and keep disabled
- VCC3: See [Chapter 8.5](#)
- VCAN: connect to VCC1
- n.c.: not connected; internally not bonded; connect to GND
- **N.U.:** Not Used; Used for internal testing purposes only. Do not connect, leave open, i.e. not connected to any potential on the board. In case N.U. pins are connected on the board an open bridge has to be foreseen to avoid external disturbances. The bridge can be shorted by a 0 Ω resistance if signal is needed.

3.4 Hints for Alternate Pin Functions

In case of alternate pin functions, selectable via SPI, it must be ensured that the correct configurations are also selected via SPI, in case it is not done automatically. Please consult the respective chapter. In addition, following topics shall be considered:

- WK1..2: The pins can be either used as HV wake / voltage monitoring inputs or for a voltage measurement function (via bit [WK_MEAS](#)). In the second case, the WK1..2 pins shall not be used / assigned for any wake detection nor cyclic sense functionality, i.e. WK1 and WK2 must be disabled in the register [WK_CTRL_2](#) and the level information is to be ignored in the register [WK_LVL_STAT](#).
- FO2..3: The pins can also be configured as GPIOs in the [GPIO_CTRL](#) register. In this case, the pins shall not be used for any fail output functionality. The default function after Power on Reset (POR) is FOx.

General Product Characteristics

4 General Product Characteristics

4.1 Absolute Maximum Ratings

Table 1 Absolute Maximum Ratings¹⁾

$T_j = -40\text{ °C}$ to $+150\text{ °C}$; all voltages with respect to ground, positive current flowing into pin (unless otherwise specified)

| Parameter | Symbol | Values | | | Unit | Note or Test Condition | Number |
|---|-----------------------|--------------|------|-----------------|---------|--|----------|
| | | Min. | Typ. | Max. | | | |
| Voltages | | | | | | | |
| Supply Voltage (VS, VSHS) | $V_{S_x, \max}$ | -0.3 | - | 28 | V | - | P_4.1.1 |
| Supply Voltage (VS, VSHS) | $V_{S_x, \max}$ | -0.3 | - | 40 | V | Load Dump, max. 400 ms | P_4.1.2 |
| Voltage Regulator 1 | $V_{CC1, \max}$ | -0.3 | - | 5.5 | V | - | P_4.1.3 |
| Voltage Regulator 2 | $V_{CC2, \max}$ | -0.3 | - | 28 | V | $V_{CC2} = 40V$ for Load Dump, max. 400 ms; | P_4.1.4 |
| Voltage Regulator 3 (VCC3REF) | $V_{CC3REF, \max}$ | -0.3 | - | 28 | V | $V_{CC3REF} = 40V$ for Load Dump, max. 400 ms; | P_4.1.5 |
| Voltage Regulator 3 (VCC3B) | $V_{CC3B, \max}$ | -0.3 | - | $V_S + 10$ | V | $V_{CC3B} = 40V$ for Load Dump, max. 400 ms; | P_4.1.25 |
| Voltage Regulator 3 (VCC3SH) | $V_{CC3SH, \max}$ | $V_S - 0.30$ | - | $V_S + 0.30$ | V | - | P_4.1.26 |
| Wake Inputs WK1..3 | $V_{WK, \max}$ | -0.3 | - | 40 | V | - | P_4.1.6 |
| Fail Pin FO1 | $V_{FO1, \max}$ | -0.3 | - | 40 | V | - | P_4.1.7 |
| Fail Pins FO2, FO3/TEST | $V_{FO2_3, \max}$ | -0.3 | - | $V_S + 0.3$ | V | - | P_4.1.23 |
| LINx, CANH, CANL | $V_{BUS, \max}$ | -27 | - | 40 | V | - | P_4.1.8 |
| Maximum Differential CAN Bus Voltage | $V_{CAN_Diff, \max}$ | -5 | - | 10 | V | - | P_4.1.27 |
| Logic Input Pins (CSN, CLK, SDI, TXDLINx, TXDCAN) | $V_{I, \max}$ | -0.3 | - | $V_{CC1} + 0.3$ | V | - | P_4.1.9 |
| Logic Output Pins (SDO, RO, INT, RXDLINx, RXDCAN) | $V_{O, \max}$ | -0.3 | - | $V_{CC1} + 0.3$ | V | - | P_4.1.10 |
| VCAN Input Voltage | $V_{VCAN, \max}$ | -0.3 | - | 5.5 | V | - | P_4.1.11 |
| High Side 1..4 | $V_{HS, \max}$ | -0.3 | - | $V_{SHS} + 0.3$ | V | - | P_4.1.12 |
| Currents | | | | | | | |
| Wake input WK1 | $I_{WK1, \max}$ | 0 | - | 500 | μA | ²⁾ | P_4.1.13 |
| Wake input WK2 | $I_{WK2, \max}$ | -500 | - | 0 | μA | ²⁾ | P_4.1.14 |

General Product Characteristics

Table 1 Absolute Maximum Ratings¹⁾ (cont'd)

$T_j = -40\text{ °C}$ to $+150\text{ °C}$; all voltages with respect to ground, positive current flowing into pin (unless otherwise specified)

| Parameter | Symbol | Values | | | Unit | Note or Test Condition | Number |
|--|--------------|--------|------|------|------|------------------------|----------|
| | | Min. | Typ. | Max. | | | |
| Temperatures | | | | | | | |
| Junction Temperature | T_j | -40 | – | 150 | °C | – | P_4.1.15 |
| Storage Temperature | T_{stg} | -55 | – | 150 | °C | – | P_4.1.16 |
| ESD Susceptibility | | | | | | | |
| ESD Resistivity | $V_{ESD,11}$ | -2 | – | 2 | kV | HBM ³⁾ | P_4.1.17 |
| ESD Resistivity to GND, HSx | $V_{ESD,12}$ | -2 | – | 2 | kV | HBM ³⁾ | P_4.1.18 |
| ESD Resistivity to GND, CANH, CANL, LINx | $V_{ESD,13}$ | -8 | – | 8 | kV | HBM ⁴⁾³⁾ | P_4.1.19 |
| ESD Resistivity to GND | $V_{ESD,21}$ | -500 | – | 500 | V | CDM ⁵⁾ | P_4.1.20 |
| ESD Resistivity Pin 1, 12,13,24,25,36,37,48 (corner pins) to GND | $V_{ESD,22}$ | -750 | – | 750 | V | CDM ⁵⁾ | P_4.1.21 |

1) Not subject to production test, specified by design.

2) Applies only if WK1 and WK2 are configured as alternative HV-measurement function

3) ESD susceptibility, HBM according to ANSI/ESDA/JEDEC JS-001 (1.5 kΩ, 100 pF)

4) For ESD “GUN” Resistivity 6KV (according to IEC61000-4-2 “gun test” (150pF, 330Ω)), will be shown in Application Information and test report will be provided from IBEE

5) ESD susceptibility, Charged Device Model “CDM” EIA/JESD22-C101 or ESDA STM5.3.1

Notes

1. Stresses above the ones listed here may cause permanent damage to the device. Exposure to absolute maximum rating conditions for extended periods may affect device reliability.
2. Integrated protection functions are designed to prevent IC destruction under fault conditions described in the data sheet. Fault conditions are considered as “outside” normal operating range. Protection functions are not designed for continuous repetitive operation.

General Product Characteristics

4.2 Functional Range

Table 2 Functional Range

| Parameter | Symbol | Values | | | Unit | Note or Test Condition | Number |
|----------------------|------------------|-----------|------|------|------|---|---------|
| | | Min. | Typ. | Max. | | | |
| Supply Voltage | $V_{S,func}$ | V_{POR} | – | 28 | V | ¹⁾ V_{POR} see Chapter 15.10 | P_4.2.1 |
| LIN Bus Voltage | $V_{S,LIN,func}$ | 6 | – | 18 | V | ²⁾ | P_4.2.2 |
| CAN Supply Voltage | $V_{CAN,func}$ | 4.75 | – | 5.25 | V | – | P_4.2.3 |
| SPI frequency | f_{SPI} | – | – | 4 | MHz | see Chapter 16.7 for $f_{SPI,max}$ | P_4.2.4 |
| Junction Temperature | T_j | -40 | – | 150 | °C | – | P_4.2.5 |

1) Including Power-On Reset, Over- and Undervoltage Protection

2) Parameter Specification according to LIN 2.2/ISO 17987-4

Note: Within the functional range the IC operates as described in the circuit description. The electrical characteristics are specified within the conditions given in the related electrical characteristics table.

Device Behavior Outside of Specified Functional Range:

- $28V < V_{S,func} < 40V$: Device will still be functional including the state machine; the specified electrical characteristics might not be ensured anymore. The regulators VCC1/2/3 are working properly, however, a thermal shutdown might occur due to high power dissipation. HSx switches might be turned OFF depending on VSHS_OV configurations. The specified SPI communication speed is ensured; the absolute maximum ratings are not violated, however the device is not intended for continuous operation of $V_S > 28V$. The device operation at high junction temperatures for long periods might reduce the operating life time;
- $18V < V_{S,LIN} < 28V$: The LIN transceiver is still functional. However, the communication might fail due to out-of-LIN-spec operation;
- $V_{SHS,UV} < V_{S,LIN} < 6V$: The LIN transceiver is still functional. However, the communication might fail due to out-of-LIN-spec operation;
- $V_{CAN} < 4.75V$: The undervoltage bit **VCAN_UV** will be set in the SPI register **BUS_STAT_1** and the transmitter will be disabled as long as the UV condition is present;
- $5.25V < V_{CAN} < 5.50V$: CAN transceiver still functional. However, the communication might fail due to out-of-spec operation;
- $V_{POR,f} < V_S < 5.5V$: Device will still be functional; the specified electrical characteristics might not be ensured anymore.
 - The voltage regulators will enter the low-drop operation mode (applies for VCC3 only if bit **VCC3_VS_UV_OFF** is set),
 - A VCC1_UV reset could be triggered depending on the Vrtx settings,
 - The LIN transmitter will be disabled if $V_{SHS,UV}$ is reached,
 - HSx switch behavior will depend on the respective configuration:
 - **HS_UV_SD_EN** = '0' (default): HSx will be turned OFF for $V_{SHS} < V_{SHS_UV}$ and will stay OFF;
 - **HS_UV_SD_EN** = '1': HSx stays on as long as possible. An unwanted overcurrent shut down may occur. OC shut down bit set and the respective HSx switch will stay OFF;

General Product Characteristics

- FOx outputs will remain ON if they were enabled before $V_S > 5.5V$,
- The specified SPI communication speed is ensured.

4.3 Thermal Resistance

Table 3 Thermal Resistance¹⁾

| Parameter | Symbol | Values | | | Unit | Note or Test Condition | Number |
|-----------------------------|-------------|--------|------|------|------|------------------------|---------|
| | | Min. | Typ. | Max. | | | |
| Junction to Soldering Point | R_{thJSP} | - | 6 | - | K/W | Exposed Pad | P_4.3.1 |
| Junction to Ambient | R_{thJA} | - | 33 | - | K/W | ²⁾ | P_4.3.2 |

1) Not subject to production test, specified by design.

2) According to Jedec JESD51-2,-5,-7 at natural convection on FR4 2s2p board for 1.5W. Board: 76.2x114.3x1.5mm³ with 2 inner copper layers (35μm thick), with thermal via array under the exposed pad contacting the first inner copper layer and 300mm² cooling area on the bottom layer (70μm).

General Product Characteristics

4.4 Current Consumption

Table 4 Current Consumption

Current consumption values are specified at $T_j = 25^\circ\text{C}$, $V_S = 13.5\text{V}$, all outputs open (unless otherwise specified)

| Parameter | Symbol | Values | | | Unit | Note or Test Condition | Number |
|---|--------------------------|--------|------|------|---------------|---|----------|
| | | Min. | Typ. | Max. | | | |
| SBC Normal Mode | | | | | | | |
| Normal Mode current consumption | I_{Normal} | – | 3.5 | 6.5 | mA | $V_S = 5.5\text{V to }28\text{V}$; $T_j = -40^\circ\text{C to }+150^\circ\text{C}$; VCC2, CAN, LIN, VCC3, HSx = OFF | P_4.4.1 |
| SBC Stop Mode | | | | | | | |
| Stop Mode current consumption | $I_{\text{Stop}_{1,25}}$ | – | 44 | 60 | μA | ¹⁾ VCC2/3, HSx = OFF; CAN ²⁾ , LINx, WKx not wake capable; Watchdog = OFF; no load on VCC1; I_PEAK_TH = '0' | P_4.4.2 |
| Stop Mode current consumption | $I_{\text{Stop}_{1,85}}$ | – | 50 | 70 | μA | ¹⁾³⁾ $T_j = 85^\circ\text{C}$; VCC2/3, HSx = OFF; CAN ²⁾ , LINx, WKx not wake capable; Watchdog = OFF; no load on VCC1; I_PEAK_TH = '0' | P_4.4.3 |
| Stop Mode current consumption (high active peak threshold) | $I_{\text{Stop}_{2,25}}$ | – | 64 | 90 | μA | ¹⁾ VCC2/3, HSx = OFF; CAN ²⁾ , LINx, WKx not wake capable; Watchdog = OFF; no load on VCC1; I_PEAK_TH = '1' | P_4.4.35 |
| Stop Mode current consumption (high active peak threshold) | $I_{\text{Stop}_{2,85}}$ | – | 70 | 100 | μA | ¹⁾³⁾ $T_j = 85^\circ\text{C}$; VCC2/3, HSx = OFF; CAN ²⁾ , LINx, WKx not wake capable; Watchdog = OFF; no load on VCC1; I_PEAK_TH = '1' | P_4.4.36 |
| SBC Sleep Mode | | | | | | | |
| Sleep Mode current consumption | $I_{\text{Sleep}_{25}}$ | – | 15 | 25 | μA | VCC2/3, HSx = OFF; CAN ²⁾ , LINx, WKx not wake capable | P_4.4.5 |
| Sleep Mode current consumption | $I_{\text{Sleep}_{85}}$ | – | 25 | 35 | μA | ³⁾ $T_j = 85^\circ\text{C}$; VCC2/3, HSx = OFF; CAN ²⁾ , LINx, WKx not wake capable | P_4.4.6 |

General Product Characteristics

Table 4 Current Consumption (cont'd)

Current consumption values are specified at $T_j = 25^\circ\text{C}$, $V_S = 13.5\text{V}$, all outputs open (unless otherwise specified)

| Parameter | Symbol | Values | | | Unit | Note or Test Condition | Number |
|---|--------------------------|--------|------|------|---------------|--|----------|
| | | Min. | Typ. | Max. | | | |
| Feature Incremental Current Consumption | | | | | | | |
| Current consumption for CAN module, recessive state | $I_{\text{CAN,rec}}$ | – | 2 | 3 | mA | SBC Normal/Stop Mode; CAN Normal Mode; VCC1 connected to VCAN; VTXDCAN = VCC1; no RL on CAN | P_4.4.7 |
| Current consumption for CAN module, dominant state | $I_{\text{CAN,dom}}$ | – | 3 | 4.5 | mA | ³⁾ SBC Normal/Stop Mode; CAN Normal Mode; VCC1 connected to VCAN; VTXDCAN = GND; no RL on CAN | P_4.4.8 |
| Current consumption for CAN module, Receive Only Mode | $I_{\text{CAN,RcvOnly}}$ | – | 0.9 | 1.2 | mA | ³⁾⁴⁾ SBC Normal/Stop Mode; CAN Receive Only Mode; VCC1 connected to VCAN; VTXDCAN = VCC1; no RL on CAN | P_4.4.9 |
| Current consumption during CAN Partial Networking frame detect mode (RX_WK_SEL = '1') | $I_{\text{CAN,SWK,25}}$ | – | 560 | 690 | μA | ³⁾ $T_j = 25^\circ\text{C}$; SBC Stop Mode; VCC2, HSx = OFF; LIN, WKx not wake capable; CAN SWK wake capable, SWK Receiver enabled, WUF detect; no RL on CAN | P_4.4.4 |
| Current consumption during CAN Partial Networking frame detect mode (RX_WK_SEL = '1') | $I_{\text{CAN,SWK,85}}$ | – | 600 | 720 | μA | ³⁾ $T_j = 85^\circ\text{C}$; SBC Stop Mode; VCC2, HSx = OFF; LIN, WKx not wake capable; CAN SWK wake capable, SWK Receiver enabled, WUF detect; no RL on CAN | P_4.4.29 |

General Product Characteristics

Table 4 Current Consumption (cont'd)

 Current consumption values are specified at $T_j = 25^\circ\text{C}$, $V_S = 13.5\text{V}$, all outputs open (unless otherwise specified)

| Parameter | Symbol | Values | | | Unit | Note or Test Condition | Number |
|--|----------------------------|--------|------|------|---------------|---|----------|
| | | Min. | Typ. | Max. | | | |
| Current consumption per LIN module, recessive state | $I_{\text{LIN,rec}}$ | – | 0.1 | 1 | mA | SBC Normal/Stop Mode; LIN Normal Mode; VTXDLIN = VCC1; no RL on LIN | P_4.4.10 |
| Current consumption per LIN module, dominant state | $I_{\text{LIN,dom}}$ | – | 1.0 | 1.5 | mA | ³⁾ SBC Normal/Stop Mode; LIN Normal Mode; VTXDLIN = GND; no RL on LIN | P_4.4.11 |
| Current consumption per LIN module, Receive Only Mode | $I_{\text{LIN,RcvOnly}}$ | – | 0.2 | 0.5 | mA | ³⁾ SBC Normal/Stop Mode; LIN Receive Only Mode; VTXDLIN = VCC1; no RL on LIN | P_4.4.12 |
| Current consumption for WK1..3 wake capability (all wake inputs) | $I_{\text{Wake,WKx,25}}$ | – | 0.2 | 2 | μA | ⁵⁾⁶⁾⁷⁾ SBC Sleep Mode; WK1..3 wake capable (all WKx enabled); LIN, CAN = OFF | P_4.4.13 |
| Current consumption for WK1..3 wake capability (all wake inputs) | $I_{\text{Wake,WKx,85}}$ | – | 0.5 | 3 | μA | ³⁾⁵⁾⁶⁾⁷⁾ SBC Sleep Mode; $T_j = 85^\circ\text{C}$; WK1..3 wake capable; (all WKx enabled); LIN, CAN = OFF | P_4.4.14 |
| Current consumption per LIN module wake capability | $I_{\text{Wake,LIN,25}}$ | – | 0.2 | 2 | μA | ⁵⁾ SBC Sleep Mode; LIN wake capable; WK1..3, CAN = OFF | P_4.4.15 |
| Current consumption per LIN module wake capability | $I_{\text{Wake,LIN,85}}$ | – | 0.5 | 3 | μA | ³⁾⁵⁾ SBC Sleep Mode; $T_j = 85^\circ\text{C}$; LIN wake capable; WK1..3, CAN = OFF | P_4.4.16 |
| Current consumption for CAN wake capability (tsilence expired) | $I_{\text{Wake,CAN,25}}$ | – | 4.5 | 6 | μA | ²⁾⁵⁾ SBC Sleep Mode; CAN wake capable; WK1..3, LIN = OFF | P_4.4.17 |
| Current consumption for CAN wake capability (tsilence expired) | $I_{\text{Wake,CAN,85}}$ | – | 5.5 | 7 | μA | ²⁾³⁾⁵⁾ SBC Sleep Mode; $T_j = 85^\circ\text{C}$; CAN wake capable; WK1..3, LIN = OFF | P_4.4.18 |
| VCC2 Normal Mode current consumption | $I_{\text{Normal,VCC2}}$ | – | 2.5 | 3.5 | mA | $V_S = 5.5\text{V to }28\text{V}$; $T_j = -40^\circ\text{C to }+150^\circ\text{C}$; VCC2 = ON (no load) | P_4.4.32 |
| Current consumption for VCC2 in SBC Sleep Mode | $I_{\text{Sleep,VCC2,25}}$ | – | 25 | 35 | μA | ¹⁾⁵⁾ SBC Sleep Mode; VCC2 = ON (no load); LIN, CAN, WK1..3 = OFF | P_4.4.19 |

General Product Characteristics

Table 4 Current Consumption (cont'd)

Current consumption values are specified at $T_j = 25^\circ\text{C}$, $V_S = 13.5\text{V}$, all outputs open (unless otherwise specified)

| Parameter | Symbol | Values | | | Unit | Note or Test Condition | Number |
|---|----------------------------|--------|------|------|---------------|---|----------|
| | | Min. | Typ. | Max. | | | |
| Current consumption for VCC2 in SBC Sleep Mode | $I_{\text{Sleep,VCC2,85}}$ | – | 30 | 40 | μA | ¹⁾³⁾⁵⁾ SBC Sleep Mode; $T_j = 85^\circ\text{C}$; VCC2 = ON (no load); LIN, CAN, WK1..3 = OFF | P_4.4.20 |
| Current consumption for VCC3 in SBC Sleep Mode in stand-alone configuration | $I_{\text{Sleep,VCC3,25}}$ | – | 40 | 60 | μA | ¹⁾⁵⁾ SBC Sleep Mode; VCC3 = ON (no load, stand-alone config.); LIN, CAN, WK1..3 = OFF | P_4.4.21 |
| Current consumption for VCC3 in SBC Sleep Mode in stand-alone configuration | $I_{\text{Sleep,VCC3,85}}$ | – | 50 | 70 | μA | ¹⁾³⁾⁵⁾ SBC Sleep Mode; $T_j = 85^\circ\text{C}$; VCC3 = ON (no load, stand-alone config.); LIN, CAN, WK1..3 = OFF | P_4.4.22 |
| Current consumption for HSx in SBC Stop Mode | $I_{\text{Stop,HSx,25}}$ | – | 550 | 675 | μA | ⁵⁾⁸⁾ SBC Stop Mode; Cyclic Sense & HSx = ON (no load); LIN, CAN, WK1..3 = OFF | P_4.4.33 |
| Current consumption for HSx in SBC Stop Mode | $I_{\text{Stop,HSx,85}}$ | – | 575 | 700 | μA | ³⁾⁵⁾⁸⁾ SBC Stop Mode; $T_j = 85^\circ\text{C}$; Cyclic Sense & HSx = ON (no load); LIN, CAN, WK1..3 = OFF | P_4.4.34 |
| Current consumption for cyclic sense function | $I_{\text{Stop,CS25}}$ | – | 20 | 28 | μA | ⁵⁾⁹⁾¹⁰⁾ SBC Stop Mode; WD = OFF | P_4.4.23 |
| Current consumption for cyclic sense function | $I_{\text{Stop,CS85}}$ | – | 24 | 35 | μA | ³⁾⁵⁾⁹⁾¹⁰⁾ SBC Stop Mode; $T_j = 85^\circ\text{C}$; WD = OFF | P_4.4.27 |
| Current consumption for watchdog active in Stop Mode | $I_{\text{Stop,WD25}}$ | – | 20 | 28 | μA | ³⁾ SBC Stop Mode; Watchdog running | P_4.4.30 |
| Current consumption for watchdog active in Stop Mode | $I_{\text{Stop,WD85}}$ | – | 24 | 35 | μA | ³⁾ SBC Stop Mode; $T_j = 85^\circ\text{C}$; Watchdog running | P_4.4.31 |
| Current consumption for active fail outputs (FO1..3) | $I_{\text{Stop,FOx}}$ | – | 1.0 | 2.0 | mA | ³⁾ all SBC Modes; $T_j = 25^\circ\text{C}$; FOx = ON (no load); | P_4.4.24 |

1) If the load current on VCC1 will exceed the configured VCC1 active peak threshold $I_{VCC1,Ipeak1,r}$ or $I_{VCC1,Ipeak2,r}$ the current consumption will increase by typ. 2.9mA to ensure optimum dynamic load behavior. Same applies to VCC2. For VCC3 the current consumption will increase by typ. 1.4mA. See also [Chapter 6](#), [Chapter 7](#), [Chapter 8](#).

General Product Characteristics

- 2) CAN not configured in selective wake mode.
- 3) Not subject to production test, specified by design.
- 4) Current consumption adder also applies for during WUF detection (frame detect mode) when CAN Partial Networking is activated.
- 5) Current consumption adders of features defined for SBC Sleep Mode also apply for SBC Stop Mode and vice versa (unless otherwise specified).
- 6) No pull-up or pull-down configuration selected.
- 7) The specified WKx current consumption adder for wake capability applies regardless how many WK inputs are activated.
- 8) A typ. 75µA / max 125µA ($T_j = 85^\circ\text{C}$) adder applies for every additionally activated HSx switch in SBC Stop Mode; In SBC Normal Mode every HSx switch consumes the typ. 75µA / max 125µA ($T_j = 85^\circ\text{C}$) without the initial adder because the biasing is already enabled.
- 9) HS1 used for cyclic sense, Timer 2, 20ms period, 0.1ms on-time, no load on HS1.

In general the current consumption adder for cyclic sense in SBC Stop Mode can be calculated with below equation:
 $I_{\text{Stop,CS}} = 18\mu\text{A} + (550\mu\text{A} * t_{\text{ON}}/T_{\text{Per}})$

- 10) Also applies to Cyclic Wake

Note: There is no additional current consumption contribution due to PWM generators.

System Features

5 System Features

This chapter describes the system features and behavior of the TLE9262-3BQXV33:

- State machine
- SBC mode control
- Device configuration
- State of supply and peripherals
- System functions such as cyclic sense or cyclic wake
- Supervision and diagnosis functions

The System Basis Chip (SBC) offers six operating modes:

- SBC Init Mode: Power-up of the device and after a soft reset,
- SBC Normal Mode: The main operating mode of the device,
- SBC Stop Mode: The first-level power saving mode with the main voltage regulator VCC1 enabled,
- SBC Sleep Mode: The second-level power saving mode with VCC1 disabled,
- SBC Restart Mode: An intermediate mode after a wake event from SBC Sleep or Fail-Safe Mode or after a failure (e.g. WD failure, VCC1 undervoltage reset) to bring the microcontroller into a defined state via a reset. Once the failure condition is not present anymore the device will automatically change to SBC Normal Mode after a delay time (t_{RD1}).
- SBC Fail-Safe Mode: A safe-state mode after critical failures (e.g. WD failure, VCC1 undervoltage reset) to bring the system into a safe state and to ensure a proper restart of the system. VCC1 is disabled. It is a permanent state until either a wake event (via CAN, LINx or WKx) occurs or the overtemperature condition is not present anymore.

A special mode, called SBC Development Mode, is available during software development or debugging of the system. All above mentioned operating modes can be accessed in this mode. However, the watchdog counter is stopped and does not need to be triggered. This mode can be accessed by setting the TEST pin to GND during SBC Init Mode.

The device can be configured via hardware (external component) to determine the device behavior after a watchdog trigger failure. See [Chapter 5.1.1](#) for further information.

The System Basis Chip is controlled via a 16-bit SPI interface. A detailed description can be found in [Chapter 16](#). The configuration as well as the diagnosis is handled via the SPI. The SPI mapping of the TLE9262-3BQXV33 is compatible to other devices of the TLE926x and TLE927x families.

System Features

5.1 Block Description of State Machine

The different SBC Modes are selected via SPI by setting the respective SBC **MODE** bits in the register **M_S_CTRL**. The SBC **MODE** bits are cleared when going through SBC Restart Mode and thus always show the current SBC mode.

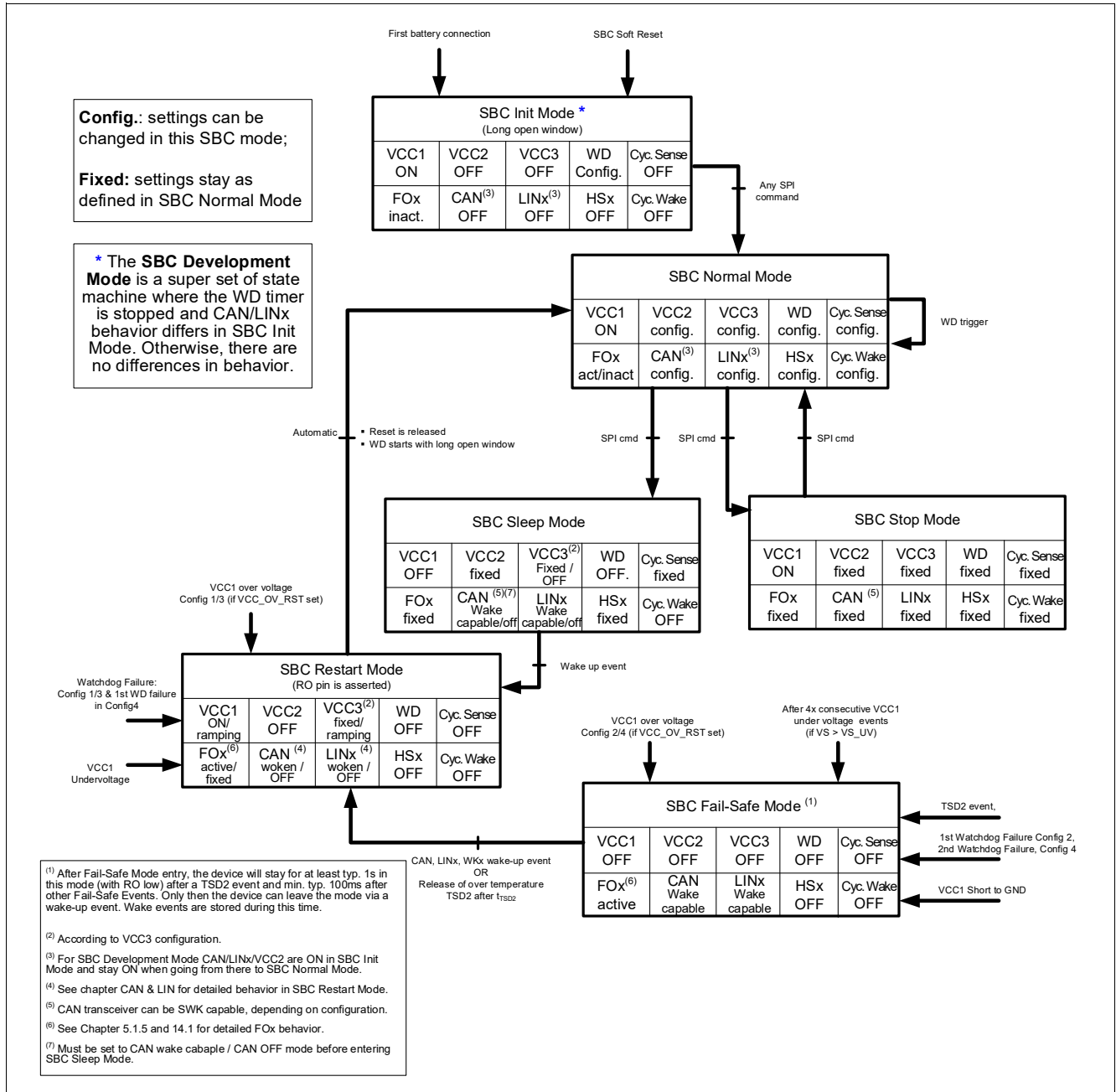


Figure 3 State Diagram showing the SBC Operating Modes including CAN Partial Networking

System Features

5.1.1 Device Configuration and SBC Init Mode

The SBC starts up in SBC Init Mode after crossing the power-on reset $V_{POR,r}$ threshold (see also [Chapter 15.3](#)) and the watchdog will start with a long open window (t_{LW}).

During this power-on phase following configurations are stored in the device:

- The device behavior regarding a watchdog trigger failure and a VCC1 overvoltage condition is determined by the external circuitry on the INT pin (see below)
- The selection of the normal device operation or the SBC Development Mode (watchdog disabled for debugging purposes) will be set depending on the voltage level of the FO3/TEST pin (see also [Chapter 5.1.7](#)).

5.1.1.1 Device Configuration

The configuration selection is intended to select the SBC behavior regarding a watchdog trigger failure. Depending on the requirements of the application, the VCC1 output shall be switched OFF and the device shall go to SBC Fail-Safe Mode in case of a watchdog failure (1 or 2 fails). To set this configuration (Config 2/4), the INT pin does not need an external pull-up resistor. In case VCC1 should not be switched OFF (Config 1/3), the INT pin needs to have an external pull-up resistor connected to VCC1 (see application diagram in [Chapter 17.1](#)).

[Figure 5](#) shows the timing diagram of the hardware configuration selection. The hardware configuration is defined during SBC Init Mode. The INT pin is internally pulled LOW with a weak pull-down resistor during the reset delay time t_{RDI} , i.e. after VCC1 crosses the reset threshold VRT1 and before the RO pin goes HIGH. The INT pin is monitored during this time (with a continuous filter time of t_{CFG_F}) and the configuration (depending on the voltage level at INT) is stored at the rising edge of RO.

*Note: If the **POR** bit is not cleared then the internal pull-down resistor will be reactivated every time RO is pulled LOW the configuration will be updated at the rising edge of RO. Therefore it is recommended to clear the **POR** bit right after initialization. In case there is no stable signal at INT, then the default value '0' will be taken as the config select value = SBC Fail-Safe Mode.*

System Features

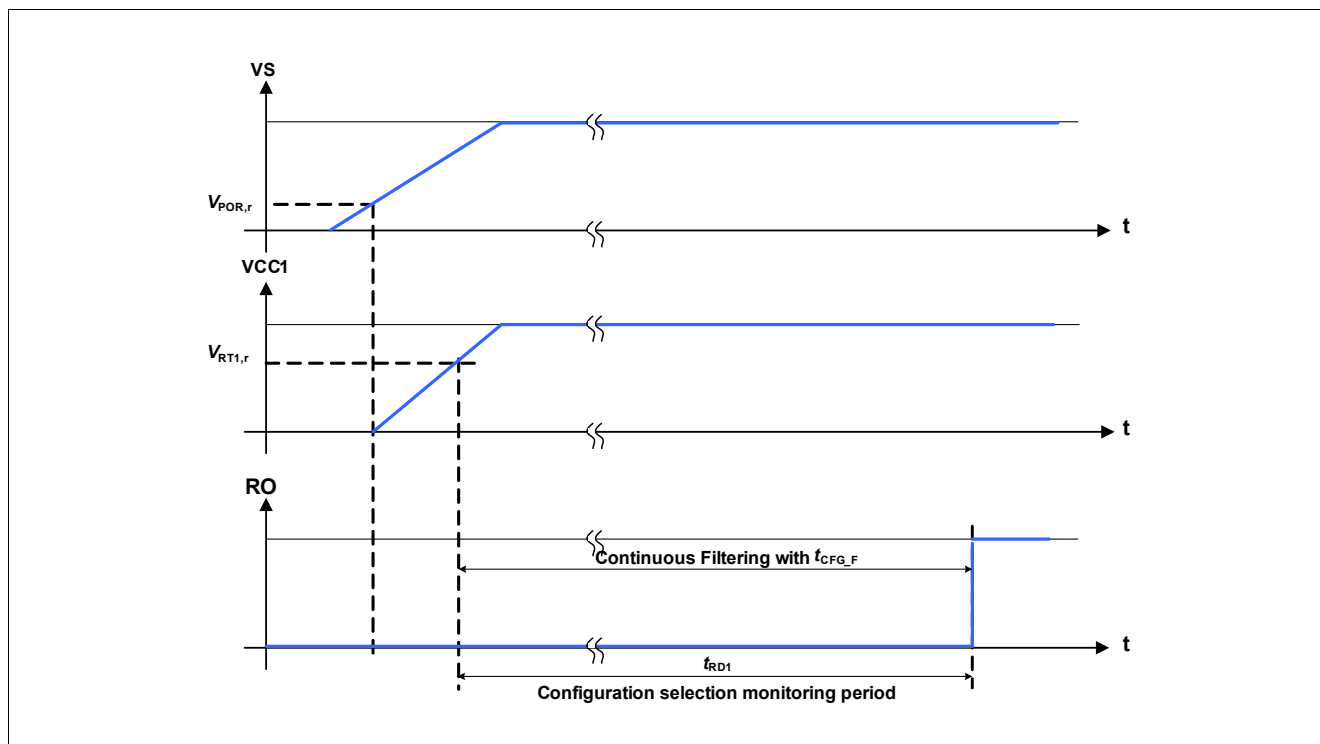


Figure 4 Hardware Configuration Selection Timing Diagram

There are four different device configurations (**Table 5**) available defining the watchdog failure and the VCC1 overvoltage behavior. The configurations can be selected via the external connection on the INT pin and the SPI bit **CFG** in the **HW_CTRL** register (see also **Chapter 16.4**):

- **CFG** = '1': Config 1 and Config 3:
 - A watchdog trigger failure leads to SBC Restart Mode and depending on **CFG** the Fail Outputs (FOx) are activated after the 1st (Config 1) or 2nd (Config 3) watchdog trigger failure;
 - A VCC1 overvoltage detection will lead to SBC Restart Mode if **VCC1_OV_RST** is set. **VCC1_OV** will be set and the Fail Outputs are activated;
- **CFG** = '0': Config 2 and Config 4:
 - A watchdog trigger failure leads to SBC Fail-Safe Mode and depending on **CFG** the Fail Outputs (FOx) are activated after the 1st (Config 2) or 2nd (Config 4) watchdog trigger failure. The first watchdog trigger failure in Config 4 will lead to SBC Restart Mode;
 - A VCC1 overvoltage detection will lead to SBC Fail-Safe Mode if **VCC1_OV_RST** is set. **VCC1_OV** will be set and the Fail Outputs are activated;

The respective device configuration can be identified by reading the SPI bit **CFG** in the **HW_CTRL** register and the **CFG** bit in the **WK_LVL_STAT** register.

Table 5 shows the configurations and the device behavior in case of a watchdog trigger failure:

Table 5 Watchdog Trigger Failure Configuration

| Config | INT Pin (CFG) | SPI Bit CFG | Event | FOx Activation | SBC Mode Entry |
|--------|------------------------|--------------------|----------------------|----------------------|--------------------|
| 1 | External pull-up | 1 | 1 x Watchdog Failure | after 1st WD Failure | SBC Restart Mode |
| 2 | No ext. pull-up | 1 | 1 x Watchdog Failure | after 1st WD Failure | SBC Fail-Safe Mode |
| 3 | External pull-up | 0 | 2 x Watchdog Failure | after 2nd WD Failure | SBC Restart Mode |
| 4 | No ext. pull-up | 0 | 2 x Watchdog Failure | after 2nd WD Failure | SBC Fail-Safe Mode |

System Features

Table 6 shows the configurations and the device behavior in case of a VCC1 overvoltage detection when **VCC1_OV_RST** is set:

Table 6 Device Behavior in Case of VCC1 Overvoltage Detection

| Config | INT Pin (CFGF) | CFG Bit | VCC1_OV_RST | Event | VCC1_OV | FOx Activation | SBC Mode Entry |
|--------|------------------|---------|-------------|-------------|---------|-------------------|--------------------|
| 1-4 | any value | x | 0 | 1 x VCC1 OV | 1 | no FOx activation | unchanged |
| 1 | External pull-up | 1 | 1 | 1 x VCC1 OV | 1 | after 1st VCC1 OV | SBC Restart Mode |
| 2 | No ext. pull-up | 1 | 1 | 1 x VCC1 OV | 1 | after 1st VCC1 OV | SBC Fail-Safe Mode |
| 3 | External pull-up | 0 | 1 | 1 x VCC1 OV | 1 | after 1st VCC1 OV | SBC Restart Mode |
| 4 | No ext. pull-up | 0 | 1 | 1 x VCC1 OV | 1 | after 1st VCC1 OV | SBC Fail-Safe Mode |

The respective configuration will be stored for all conditions and can only be changed by powering down the device ($V_S < V_{POR,f}$).

System Features

5.1.1.2 SBC Init Mode

In SBC Init Mode, the device waits for the microcontroller to finish its startup and initialization sequence. In the SBC Init Mode any valid SPI command will bring the SBC to SBC Normal Mode. During the long open window the watchdog has to be triggered. Thereby the watchdog will be automatically configured.

A missing watchdog trigger during the long open window will cause a watchdog failure and the device will enter SBC Restart Mode.

Wake events are ignored during SBC Init Mode and will therefore be lost.

Note: Any SPI command will bring the SBC to SBC Normal Mode even if it is a illegal SPI command (see [Chapter 16.2](#)).

Note: For a safe start-up, it is recommended to use the first SPI command to trigger and to configure the watchdog (see [Chapter 15.2](#)).

Note: At power up no **VCC1_UV** will be issued nor will FOx be triggered as long as VCC1 is below the $V_{RT,x}$ threshold and if VS is below the VCC1 short circuit detection threshold $V_{s,uv}$. The RO pin will be kept low as long as VCC1 is below the selected $V_{RT,x}$ threshold.

System Features

5.1.2 SBC Normal Mode

The SBC Normal Mode is the standard operating mode for the SBC. All configurations have to be done in SBC Normal Mode before entering a low-power mode (see also [Chapter 5.1.6](#) for the device configuration defining the Fail-Safe Mode behavior). A wake-up event on CAN, LINx and WKx will create an interrupt on pin INT - however, no change of the SBC mode will occur. The configuration options are listed below:

- VCC1 is active
- VCC2 can be switched ON or OFF (default = OFF)
- VCC3 is configurable (OFF coming from SBC Init Mode; as previously programmed coming from SBC Restart Mode)
- CAN is configurable (OFF coming from SBC Init Mode; OFF or wake capable coming from SBC Restart Mode, see also [Chapter 5.1.5](#))
- LIN is configurable (OFF coming from SBC Init Mode; OFF or wake capable coming from SBC Restart Mode, see also [Chapter 5.1.5](#))
- HS Outputs can be switched ON or OFF (default = OFF) or can be controlled by PWM; HS Outputs are OFF coming from SBC Restart Mode
- Wake pins show the input level and can be selected to be wake capable (interrupt)
- Cyclic sense can be configured with HS1...4 and Timer1 or Timer 2
- Cyclic wake can be configured with Timer1 or Timer2
- Watchdog is configurable
- All FOx outputs are OFF by default. Coming from SBC Restart Mode FOx can be active (due to a failure event, e.g. watchdog trigger failure, VCC1 short circuit, etc.) or inactive (no failure occurred)

In SBC Normal Mode, there is the possibility of testing the FO outputs, i.e. to verify if setting the FO pin to low will create the intended behavior within the system. The FO output can be enabled and then disabled again by the microcontroller by setting the **FO_ON** SPI bit. This feature is only intended for testing purposes.

System Features

5.1.3 SBC Stop Mode

The SBC Stop Mode is the first level technique to reduce the overall current consumption by setting the voltage regulators VCC1, VCC2 and VCC3 into a low-power mode. In this mode VCC1 is still active and supplying the microcontroller, which can enter a power down mode. The VCC2 supply, CAN & LIN mode as well as the HSx outputs can be configured to stay enabled. All kind of settings have to be done before entering SBC Stop Mode. In SBC Stop Mode any kind of SPI WRITE commands are ignored and the **SPI_FAIL** bit is set, except for changing to SBC Normal Mode, triggering a SBC Soft Reset, refreshing the watchdog as well as for reading and clearing the SPI status registers. A wake-up event on CAN, LINx and WKx will create an interrupt on pin INT - however, no change of the SBC mode will occur. The configuration options are listed below:

- VCC1 is ON
- VCC2 is fixed as configured in SBC Normal Mode
- VCC3 is fixed as configured in SBC Normal Mode
- CAN mode is fixed as configured in SBC Normal Mode
- LIN mode is fixed as configured in SBC Normal Mode
- WK pins are fixed as configured in SBC Normal Mode
- HS Outputs are fixed as configured in SBC Normal Mode
- Cyclic sense is fixed as configured in SBC Normal Mode
- Cyclic wake is fixed as configured in SBC Normal Mode
- Watchdog is fixed as configured in SBC Normal Mode
- SBC Soft Reset can be triggered
- FOx outputs are fixed, i.e. the state from SBC Normal Mode is maintained

An interrupt is triggered on the pin INT when SBC Stop Mode is entered and not all wake source signalization flags from **WK_STAT_1** and **WK_STAT_2** were cleared.

Note: If switches are enabled during SBC Stop Mode, e.g. HSx on with or without PWM, then the SBC current consumption will increase (see [Chapter 4.4](#)).

*Note: It is not possible to switch directly from SBC Stop Mode to SBC Sleep Mode. Doing so will also set the **SPI_FAIL** flag and will bring the SBC into Restart Mode.*

*Note: When WK1 and WK2 are configured for the alternate measurement function (**WK_MEAS** = 1) then the wake inputs cannot be selected as wake input sources.*

System Features

5.1.4 SBC Sleep Mode

The SBC Sleep Mode is the second level technique to reduce the overall current consumption to a minimum needed to react on wake-up events or for the SBC to perform autonomous actions (e.g. cyclic sense). In this mode, VCC1 is OFF and not supplying the microcontroller anymore. The VCC2 supply as well as the HSx outputs can be configured to stay enabled. The settings have to be done before entering SBC Sleep Mode. A wake-up event on CAN, LINx or WKx will bring the device via SBC Restart Mode into SBC Normal Mode again and signal the wake source. The configuration options are listed below:

- VCC1 is OFF
- VCC2 is fixed as configured in SBC Normal Mode
- VCC3 is fixed or OFF as configured in SBC Normal Mode
- CAN mode changes automatically from ON or Receive Only Mode to wake capable mode or can be selected to be OFF
- CAN must be set to CAN wake capable / CAN off mode before entering SBC Sleep Mode
- LIN mode changes automatically from ON or Receive Only Mode to wake capable mode or can be selected to be OFF
- WK pins are fixed as configured in SBC Normal Mode
- HS Outputs are fixed as configured in SBC Normal Mode
- Cyclic sense is fixed as configured in SBC Normal Mode
- Cyclic wake is not available
- Watchdog is OFF
- FOx outputs are fixed, i.e. the state from SBC Normal Mode is maintained
- As VCC1 is OFF during SBC Sleep Mode, no SPI communication is possible;
- The Sleep Mode entry is signalled in the SPI register **DEV_STAT** with the bit **DEV_STAT**

It is not possible to switch all wake sources off in SBC Sleep Mode. Doing so will set the **SPI_FAIL** flag and will bring the SBC into SBC Restart Mode.

In order to enter SBC Sleep Mode successfully, all wake source signalization flags from **WK_STAT_1** and **WK_STAT_2** need to be cleared. A failure to do so will result in an immediate wake-up from SBC Sleep Mode by going via SBC Restart to Normal Mode.

All settings must be done before entering SBC Sleep Mode.

Note: If switches are enabled during SBC Sleep mode, e.g. HSx on with or without PWM, then the SBC current consumption will increase (see [Chapter 4.4](#)).

Note: Cyclic Sense function will not work properly anymore in case of an overcurrent, overtemperature, under- or overvoltage (in case function is selected) event because the respective HS switch will be disabled.

*Note: When WK1 and WK2 are configured for the alternate measurement function (**WK_MEAS** = 1) then the wake inputs cannot be selected as wake input sources.*

System Features

5.1.5 SBC Restart Mode

There are multiple reasons to enter the SBC Restart Mode. The purpose of the SBC Restart Mode is to reset the microcontroller:

- in case of undervoltage on VCC1 in SBC Normal and in SBC Stop Mode,
- in case of overvoltage on VCC1 if the bit **VCC1_OV_RST** is set and if **CFGP** = '1',
- due to 1st incorrect Watchdog triggering (only if Config1, Config3 or Config 4 is selected, otherwise SBC Fail-Safe Mode is immediately entered),
- In case of a wake event from SBC Sleep or SBC Fail-Safe Mode or a release of overtemperature shutdown (TSD2) out of SBC Fail-Safe Mode this transition is used to ramp up VCC1 after a wake in a defined way.

From SBC Restart Mode, the SBC goes automatically to SBC Normal Mode, i.e. the mode is left automatically by the SBC without any microcontroller influence. The SBC **MODE** bits are cleared. As shown in **Figure 52** the Reset Output (RO) is pulled low when entering Restart Mode and is released at the transition to Normal Mode after the reset delay time (t_{RD1}). The watchdog timer will start with a long open window starting from the moment of the rising edge of RO and the watchdog period setting in the register **WD_CTRL** will be changed to the respective default value '100'.

Leaving the SBC Restart Mode will not result in changing / deactivating the Fail outputs.

The behavior of the blocks is listed below:

- All FOx outputs are activated in case of a 1st watchdog trigger failure (if Config1 or Config2 is selected) or in case of VCC1 overvoltage detection (if **VCC1_OV_RST** is set)
- VCC1 is ON or ramping up
- VCC2 will be disabled if it was activated before
- VCC3 is fixed or ramping as configured in SBC Normal Mode
- CAN is "woken" due to a wake event or OFF depending on previous SBC and transceiver mode (see also **Chapter 10**). It is wake capable when it was in CAN Normal-, Receive Only or wake capable mode before SBC Restart Mode
- LIN is "woken" or OFF depending on previous SBC and transceiver mode (see also **Chapter 11**). It is wake capable when it was in LIN Normal-, Receive Only or wake capable mode before SBC Restart Mode.
- HS Outputs will be disabled if they were activated before
- RO is pulled low during SBC Restart Mode
- SPI communication is ignored by the SBC, i.e. it is not interpreted
- The Restart Mode entry is signalled in the SPI register **DEV_STAT** with the bits **DEV_STAT**

Table 7 Reasons for Restart - State of SPI Status Bits after Return to Normal Mode

| Prev. SBC Mode | Event | DEV_STAT | WD_FAIL | VCC1_UV | VCC1_OV | VCC1_SC |
|----------------|-------------------------|----------|--|---------|---------|---------|
| Normal | 1x Watchdog Failure | 01 | 01 | x | x | x |
| Normal | 2x Watchdog Failure | 01 | 10 | x | x | x |
| Normal | VCC1 undervoltage reset | 01 | xx | 1 | x | x |
| Normal | VCC1 overvoltage reset | 01 | xx | x | 1 | x |
| Stop | 1x Watchdog Failure | 01 | 01 | x | x | x |
| Stop | 2x Watchdog Failure | 01 | 10 | x | x | x |
| Stop | VCC1 undervoltage reset | 01 | xx | 1 | x | x |
| Stop | VCC1 overvoltage reset | 01 | xx | x | 1 | x |
| Sleep | Wake-up event | 10 | xx | x | x | x |
| Fail-Safe | Wake-up event | 01 | see "Reasons for Fail Safe, Table 8 " | | | |

System Features

Note: An overvoltage event on VCC1 will only lead to SBC Restart Mode if the bit `VCC1_OV_RST` is set and if `CFGP` = '1' (Config 1/3).

Note: The content of the `WD_FAIL` bits will depend on the device configuration, e.g. 1 or 2 watchdog failures.

5.1.6 SBC Fail-Safe Mode

The purpose of this mode is to bring the system in a safe status after a failure condition by turning off the VCC1 supply and powering off the microcontroller. After a wake event the system is then able to restart again.

The Fail-Safe Mode is automatically reached for following events:

- after an SBC thermal shutdown (TSD2) (see also [Chapter 15.9.3](#)),
- in case of overvoltage on VCC1 if the bit `VCC1_OV_RST` is set and if `CFGP` = '0',
- after a 1st incorrect watchdog trigger in Config2 (`CFG` = 1) and after a 2nd incorrect watchdog trigger in Config4 (`CFG` = 0) (see also [Chapter 5.1.1](#)),
- if VCC1 is shorted to GND (see also [Chapter 15.7](#)),
- After 4 consecutive VCC1 undervoltage events (only if $V_S > V_{S,UV}$, see [Chapter 15.6](#)).

In this case, the default wake sources (CAN, LINx, WK1...3, see also registers `WK_CTRL_2`, `BUS_CTRL_1`) are activated, the wake events are cleared in the register `WK_STAT_1`, and all output drivers and all voltage regulators are switched off. When WK1 and WK2 are configured for the alternate measurement function (`WK_MEAS` = 1) then WK1 and WK2 will stay configured for the measurement function when SBC Fail-Safe Mode is entered, i.e. they will not be activated as wake sources.

The SBC Fail-Safe Mode will be maintained until a wake event on the default wake sources occurs. To avoid any fast toggling behavior a filter time of typ. 100ms ($t_{FS,min}$) is implemented. Wake events during this time will be stored and will automatically lead to entering SBC Restart Mode after the filter time.

In case of an VCC1 overtemperature shutdown (TSD2) the SBC Restart Mode will be reached automatically after a filter time of typ. 1s (t_{TSD2}) without the need of a wake event.

Leaving the SBC Fail-Safe Mode will not result in deactivation of the Fail Output pins.

The following functions are influenced during SBC Fail-Safe Mode:

- All FOx outputs are activated (see also [Chapter 14](#))
- VCC1 is OFF
- VCC2 is OFF
- VCC3 is OFF
- CAN is wake capable
- LIN is wake capable
- HS Outputs are OFF
- WK pins are wake capable through static sense (with default 16µs filter time)
- Cyclic sense and Cyclic wake is disabled
- SPI communication is disabled because VCC1 is OFF
- The Fail-Safe Mode activation is signalled in the SPI register `DEV_STAT` with the bits `FAILURE` and `DEV_STAT`

System Features

Table 8 Reasons for Fail-Safe - State of SPI Status Bits after Return to Normal Mode

| Prev. SBC Mode | Failure Event | DEV_STAT | TSD2 | WD_FAIL | VCC1_UV | VCC1_UV_FS | VCC1_OV | VCC1_SC |
|----------------|----------------------|----------|------|---------|---------|------------|---------|---------|
| Normal | 1 x Watchdog Failure | 01 | x | 01 | x | x | x | x |
| Normal | 2 x Watchdog Failure | 01 | x | 10 | x | x | x | x |
| Normal | TSD2 | 01 | 1 | xx | x | x | x | x |
| Normal | VCC1 short to GND | 01 | x | xx | 1 | x | x | 1 |
| Normal | 4x VCC1 UV | 01 | x | xx | 1 | 1 | x | x |
| Normal | VCC1 overvoltage | 01 | x | xx | x | x | 1 | x |
| Stop | 1 x Watchdog Failure | 01 | x | 01 | x | x | x | x |
| Stop | 2 x Watchdog Failure | 01 | x | 10 | x | x | x | x |
| Stop | TSD2 | 01 | 1 | xx | x | x | x | x |
| Stop | VCC1 short to GND | 01 | x | xx | 1 | x | x | 1 |
| Stop | 4x VCC1 UV | 01 | x | xx | 1 | 1 | x | x |
| Stop | VCC1 overvoltage | 01 | x | xx | x | x | 1 | x |

Note: An overvoltage event on VCC1 will only lead to SBC Fail-Safe Mode if the bit VCC1_OV_RST is set and if **CFGF** = '0' (Config 2/4).

Note: The content of the WD_FAIL bits will depend on the device configuration, e.g. 1 or 2 watchdog failures.

Note: See [Chapter 15.6.1](#) for detailed description of the 4x VCC1 undervoltage behavior.

5.1.7 SBC Development Mode

The SBC Development Mode is used during the development phase of the module. It is especially useful for software development.

Compared to the default SBC user mode operation, this mode is a super set of the state machine. The device will start also in SBC Init Mode and it is possible to use all the SBC Modes and functions with following differences:

- Watchdog is stopped and does not need to be triggered. Therefore no reset is triggered due to watchdog failure
- SBC Fail-Safe and SBC Restart Mode are not reached due to watchdog failure but the other reasons to enter these modes are still valid
- LINx, CAN and VCC2 default value in SBC INIT MODE and entering SBC Normal Mode from SBC Init Mode is ON instead of OFF

The SBC Development Mode is reached automatically if the FO3/TEST pin is set and kept LOW during SBC Init Mode. The voltage level monitoring is started as soon as $VS > V_{POR,f}$. The Development Mode is configured and maintained if SBC Init Mode is left by sending any SPI command while FO3/TEST is LOW. In case the FO3/TEST level will be HIGH for longer than t_{TEST} during the monitoring period then the SBC Development Mode is not reached.

The SBC will remain in this mode for all conditions and can only be left by powering down the device ($VS < V_{POR,f}$).

System Features

Note: The absolute maximum ratings of the pin FO3/TEST must be observed. To increase the robustness of this pin during debugging or programming a series resistor between FO3/TEST and the connector can be added (see [Figure 66](#)).

System Features

5.2 Wake Features

Following wake sources are implemented in the device:

- Static Sense: WK inputs are permanently active (see [Chapter 12](#))
- Cyclic Sense: WK inputs only active during on-time of cyclic sense period (see below)
- Cyclic Wake: internal wake source controlled via internal timer (see below)
- CAN wake: Wake-up via CAN message (see [Chapter 10](#))
- LIN wake: Wake-up via LIN message (see [Chapter 11](#))

5.2.1 Cyclic Sense

The cyclic sense feature is intended to reduce the quiescent current of the device and the application. In the cyclic sense configuration, one or more high-side drivers are switched on periodically controlled by [TIMER1_CTRL](#) and [TIMER2_CTRL](#). The respective high-side drivers supply external circuitries e.g. switches and/or resistor arrays, which are connected to one or more wake inputs (see [Figure 5](#)). Any edge change of the WK_x input signal during the on-time of the cyclic sense period causes a wake. Depending on the SBC mode, either the INT is pulled low (SBC Normal Mode and Stop Mode) or the SBC is woken enabling the VCC1 (after SBC Sleep and SBC Fail-Safe Mode).

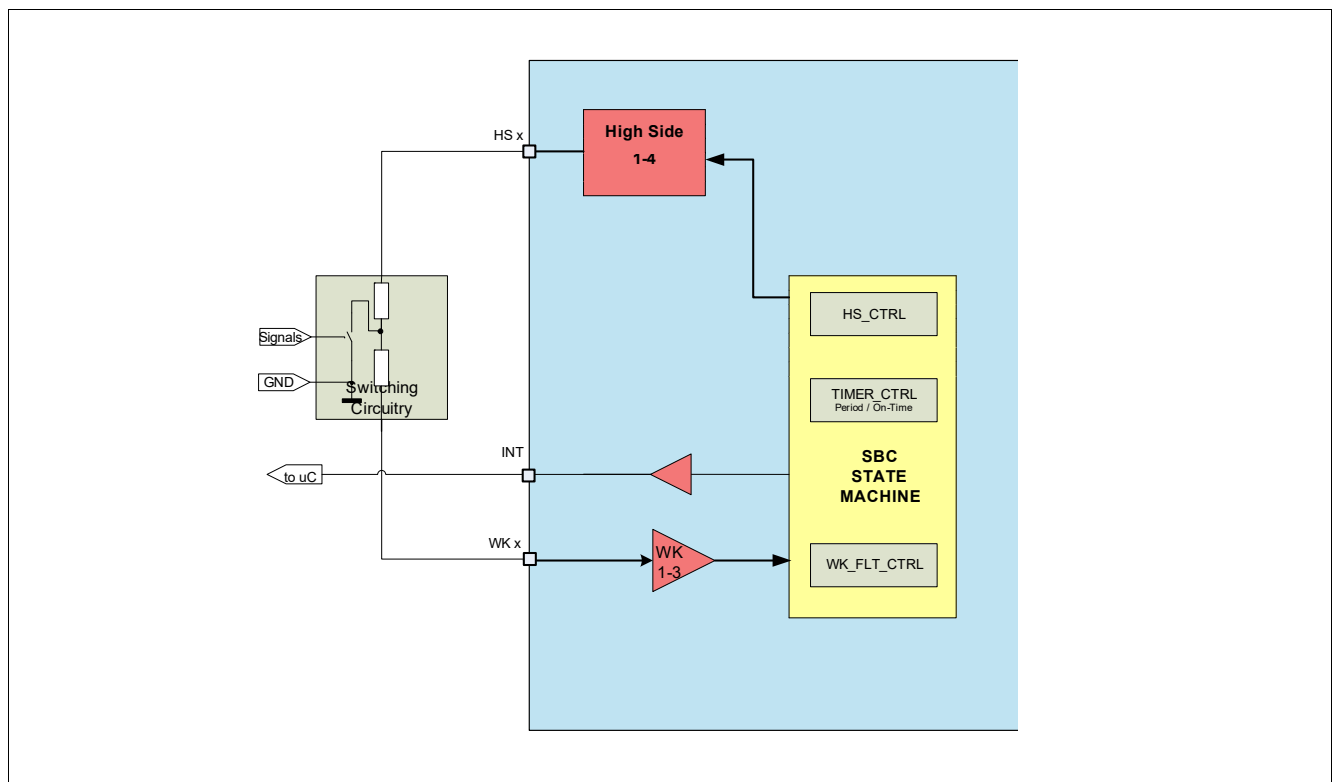


Figure 5 Cyclic Sense Working Principle

System Features

5.2.1.1 Configuration and Operation of Cyclic Sense

The correct sequence to configure the cyclic sense is shown in **Figure 6**. All the configurations have to be performed before the on-time is set in the `TIMERx_CTRL` registers. The settings “OFF / LOW” and “OFF / HIGH” define the voltage level of the respective HS driver before the start of the cyclic sense. The intention of this selection is to avoid an unintentional wake due to a voltage level change at the start of the cyclic sense.

Cyclic Sense (=TimerX) will start as soon as the respective on-time has been selected independently from the assignment of the HS and filter configuration. The selection of the respective timer (Config C/D see **Chapter 12.2.1**) must therefore be done before starting the timer. The correct configuration sequence is as follows:

- Configure the initial level
- Mapping of a Timer to the respective HSx outputs
- Configuring the respective filter timing and WK pins
- Configuring the timer period and on-time

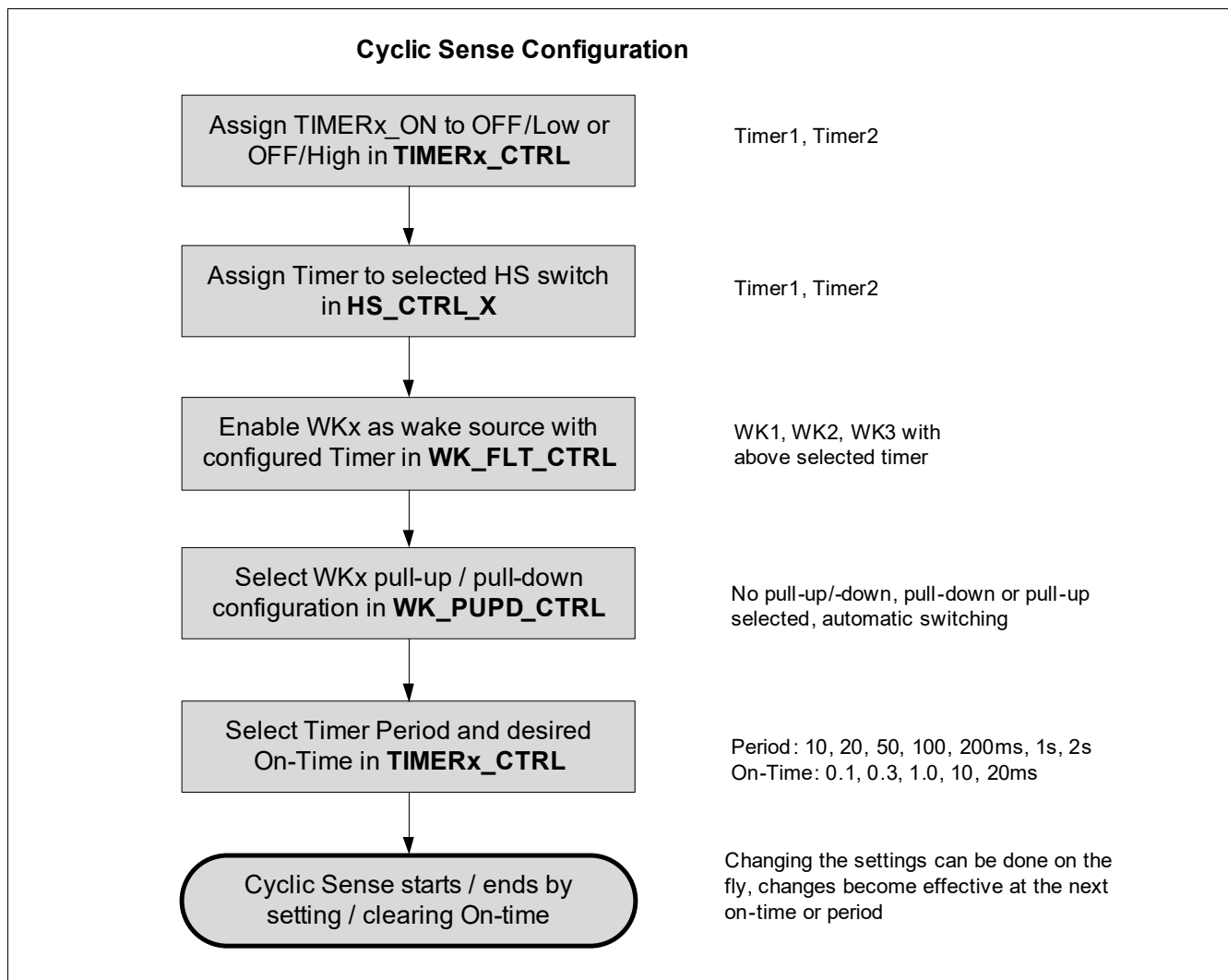


Figure 6 Cyclic Sense: Configuration and Sequence

Note: All configurations of period and on-time can be selected. However, recommended on-times for cyclic sense are 0.1ms, 0.3ms and 1ms. The `SPI_FAIL` will be set if the on-time is longer than the period.

System Features

The first sample of the WK input value (HIGH or LOW) is taken as the reference for the next cycle. A change of the WK input value between the first and second cycle recognized during the on-time of the second cycle will cause a wake from SBC Sleep Mode or an interrupt during SBC Normal or SBC Stop Mode.

A filter time of 16 μ s is implemented to avoid a parasitic wake-up due to transients or EMC disturbances. The filter time t_{FWK1} is triggered right at the end of the selected on-time and a wake signal is recognized if:

- the input level will not cross the switching threshold level of typ. 3V during the selected filter time (i.e. if the signal will keep the HIGH or LOW level) and
- there was an input level change between the current and previous cycle

System Features

A wake event due to cyclic sense will set the respective bit WK1_WU, WK2_WU, or WK3_WU.

During Cyclic Sense, **WK_LVL_STAT** is updated only with the sampled voltage levels of the WKx pins in SBC Normal or SBC Stop Mode.

The functionality of the sampling and different scenarios are depicted in **Figure 7** to **Figure 9**. The behavior in SBC Stop and SBC Sleep Mode is identical except that in Stop Mode INT will be triggered to signal a change of WK input levels and in SBC Sleep Mode, VCC1 will power-up instead.

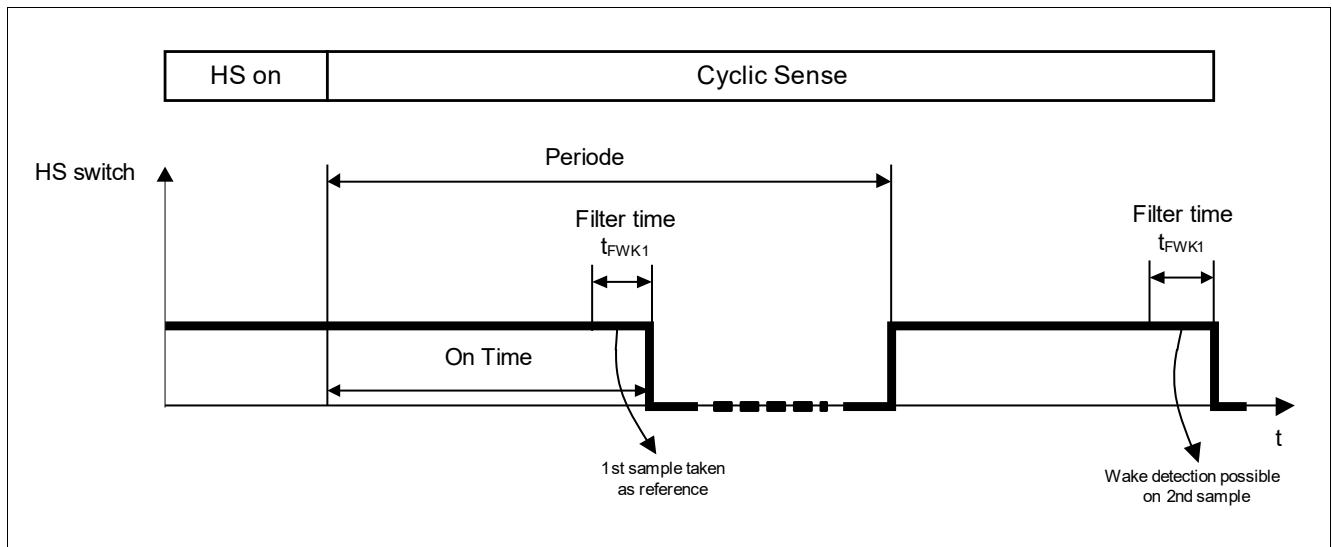


Figure 7 Wake Input Timing

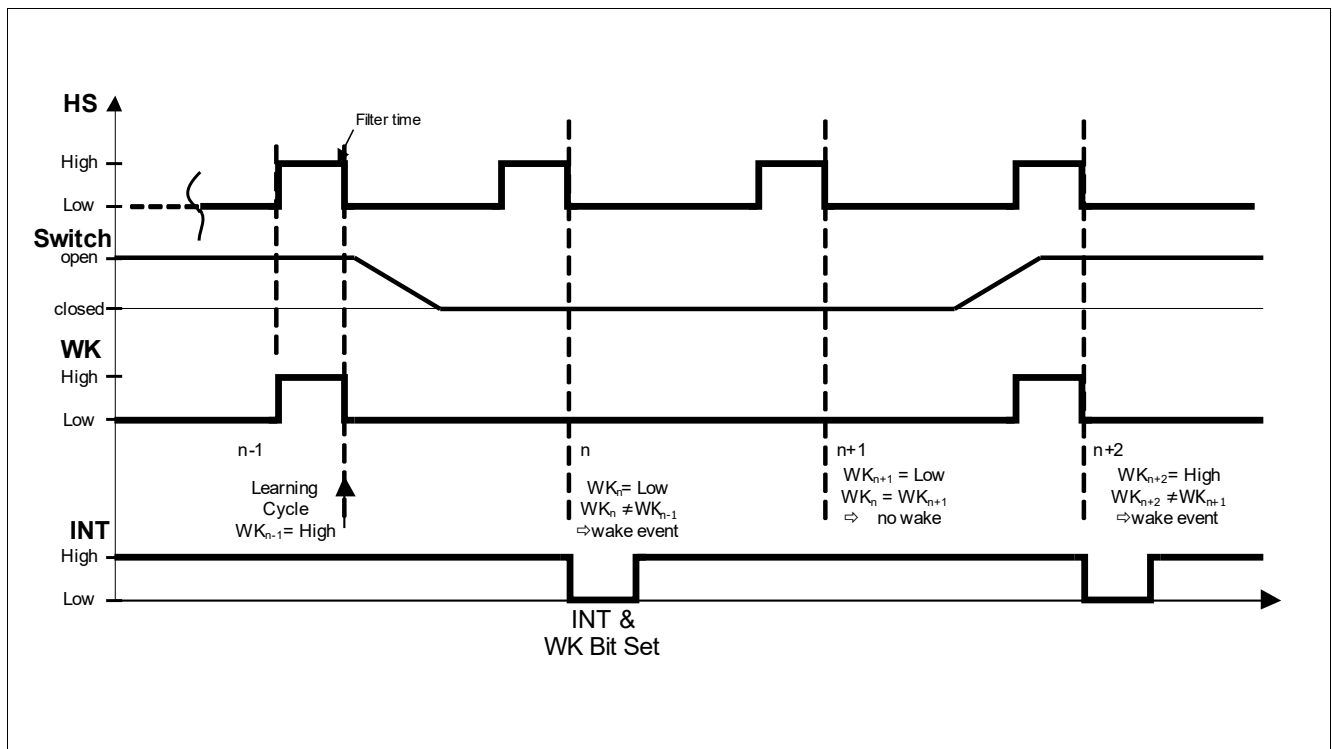


Figure 8 Cyclic Sense Example in SBC Stop Mode, HSx starts “OFF”/LOW, GND based WKx input

System Features

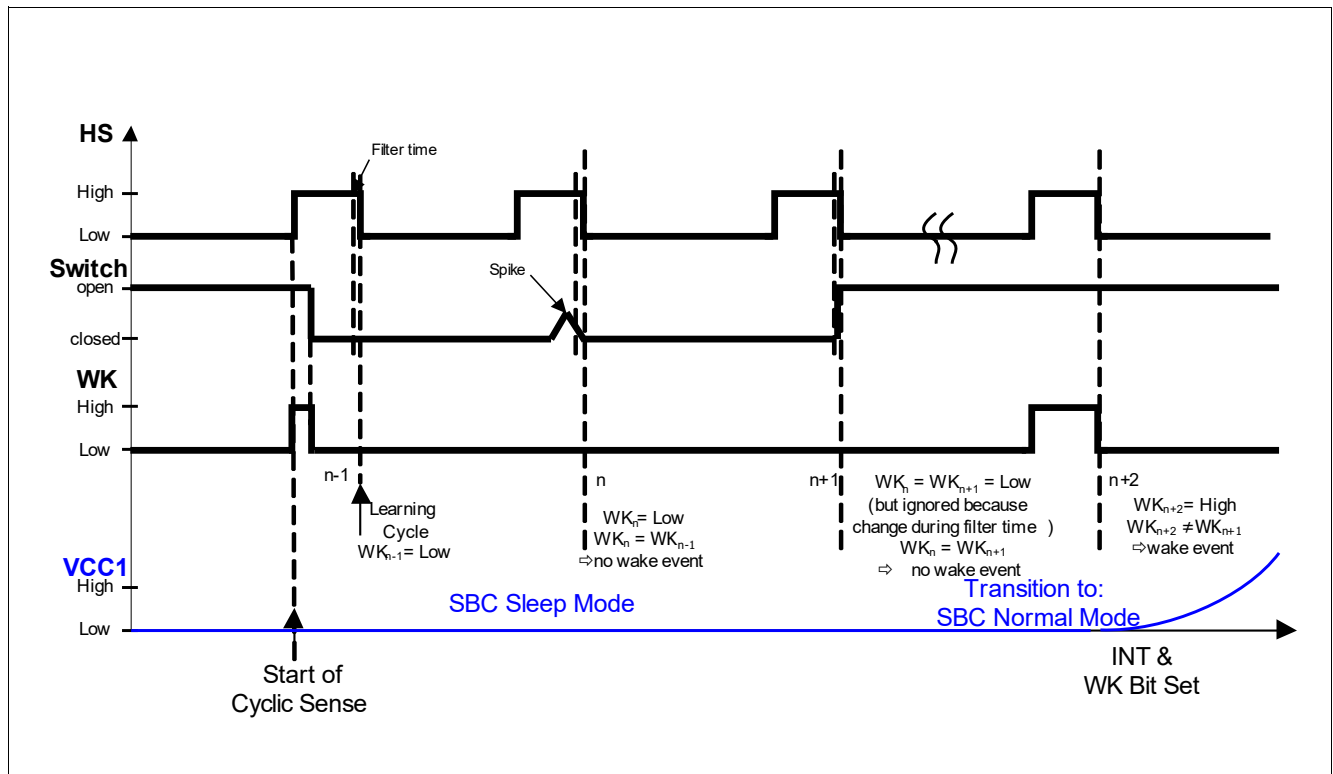


Figure 9 Cyclic Sense Example in SBC Sleep Mode, HSx starts “OFF”/HIGH, GND based WKx input

The cyclic sense function will not work properly anymore in case of following conditions:

- in case SBC Fail-Safe Mode is entered: The respective HS Switch will be disabled and the respective wake pin will be changed to static sensing
- In SBC Normal, Stop, or Sleep Mode in case of an overcurrent, overtemperature, under- or overvoltage (in case function is selected) event: the respective HS switch will be disabled

Note: The internal timers for cyclic sense are not disabled automatically in case the HS switch is turned off due to above mentioned failures. This must be considered to avoid loss of wake events.

5.2.1.2 Cyclic Sense in Low Power Mode

If cyclic sense is intended for SBC Stop or SBC Sleep Mode mode, it is necessary to activate the cyclic sense in SBC Normal Mode before going to the low power mode. A wake event due to cyclic sense will set the respective bit WK1_WU, WK2_WU or WK3_WU. In Stop Mode the wake event will trigger an interrupt, in Sleep Mode the wake event will send the device via Restart Mode to Normal Mode. Before returning to SBC Sleep mode, the wake status register **WK_STAT_1** and **WK_STAT_2** needs to be cleared. Trying to go to SBC Sleep mode with uncleared wake flags, such as WKx_WU the SBC will directly wake-up from Sleep Mode by going via Restart Mode to Normal Mode, a reset is issued. The WKx_WU bit is seen as source for the wake. This is implemented in order not to loose an wake event during the transition.

System Features

5.2.2 Cyclic Wake

The cyclic wake feature is intended to reduce the quiescent current of the device and application.

For the cyclic wake feature one or both timers are configured as internal wake-up source and will periodically trigger an interrupt in SBC Normal and SBC Stop Mode.

The correct sequence to configure the cyclic wake is shown in **Figure 10**. The sequence is as follows:

- First, disable the timers to ensure that there is not unintentional interrupt when activating cyclic wake,
- Enable Timer1 and/or Timer2 as a wake-up source in the register **WK_CTRL_1**,
- Configure the respective period Timer1 and/or Timer2. Also an on-time (any value) must be selected to start the cyclic wake even if the value is ignored.

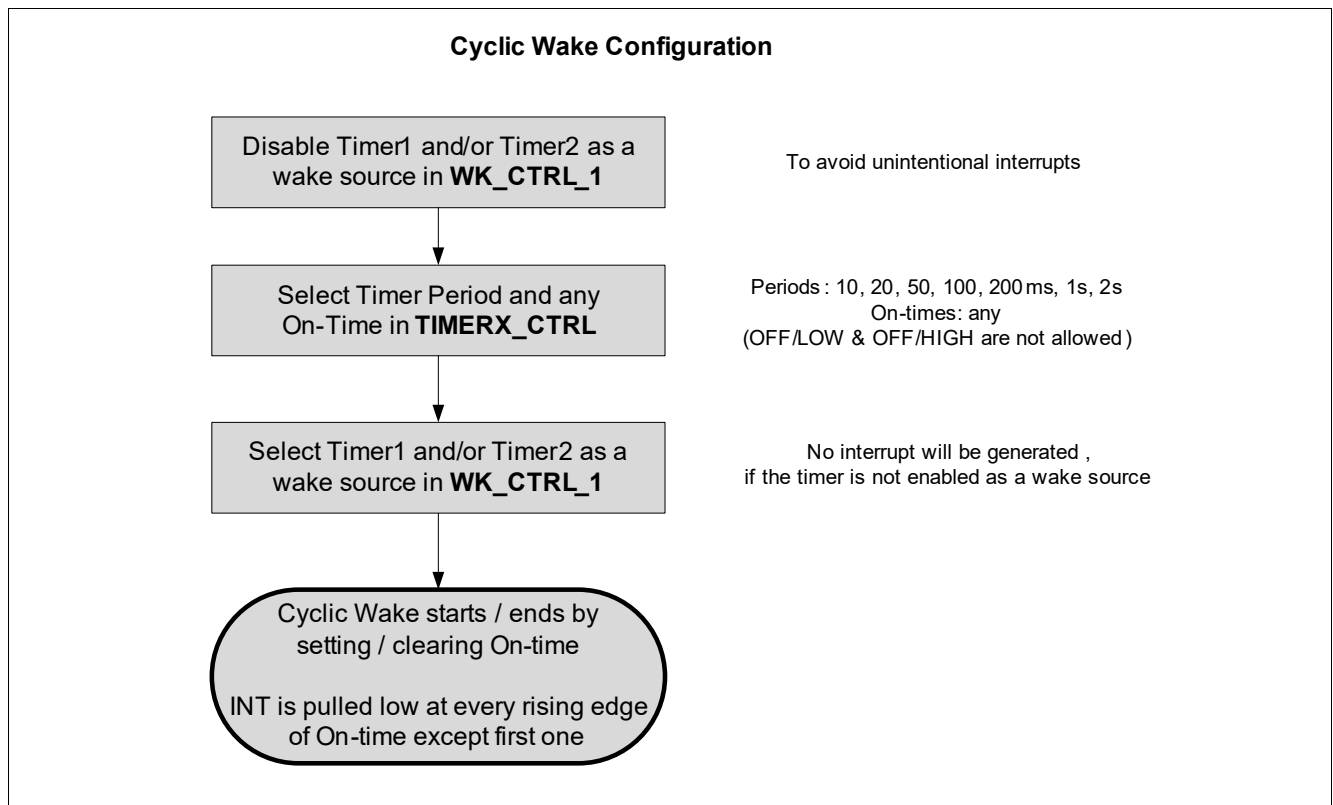


Figure 10 Cyclic Wake: Configuration and Sequence

As in cyclic sense, the cyclic wake function will start as soon as the on-time is configured. An interrupt is generated for every start of the on time except for the very first time when the timer is started

System Features

5.2.3 Internal Timer

The integrated Timer1 and Timer2 are typically used to wake up the microcontroller periodically (cyclic wake) or to perform cyclic sense on the wake inputs. Therefore, the timers can be mapped to the dedicated HS switches by SPI (via [HS_CTRL1...2](#)).

Following periods and on-times can be selected via the register [TIMER1_CTRL](#) and [TIMER2_CTRL](#) respectively:

- Period: 10ms / 20ms / 50ms / 100ms / 200ms / 1s / 2s
- On time: 0.1ms / 0.3ms / 1.0ms / 10ms / 20ms / OFF at HIGH or LOW

5.3 Supervision Features

The device offers various supervision features to support functional safety requirements. Please see [Chapter 15](#) for more information.

5.4 Partial Networking on CAN

5.4.1 CAN Partial Networking - Selective Wake Feature

The CAN Partial Networking feature can be activated for SBC Normal Mode, in SBC Sleep Mode and in SBC Stop Mode. For SBC Sleep Mode the Partial Networking has to be activated before sending the SBC to Sleep Mode. For SBC Stop Mode the Partial Networking has to be activated before going to SBC Stop Mode.

There are 2 detection mechanism available

- WUP (Wake-Up Pattern) this is a CAN wake, that reacts on the CAN dominant time, with 2 dominant signals as defined in ISO 11898-2:2016.
- WUF (Wake-Up frame) this is the wake-up on a CAN frame that matches the programmed message filter configured in the SBC via SPI.

The default baudrate is set to 500kBaud. Besides the commonly used baudrates of 125kBaud and 250kBaud, other baudrates up to 1MBaud can be selected (see [Chapter 16.5.2](#) and [Chapter 16.5.3](#) for more details).

5.4.2 SBC Partial Networking Function

The CAN Partial Networking Modes are shown in this figure.

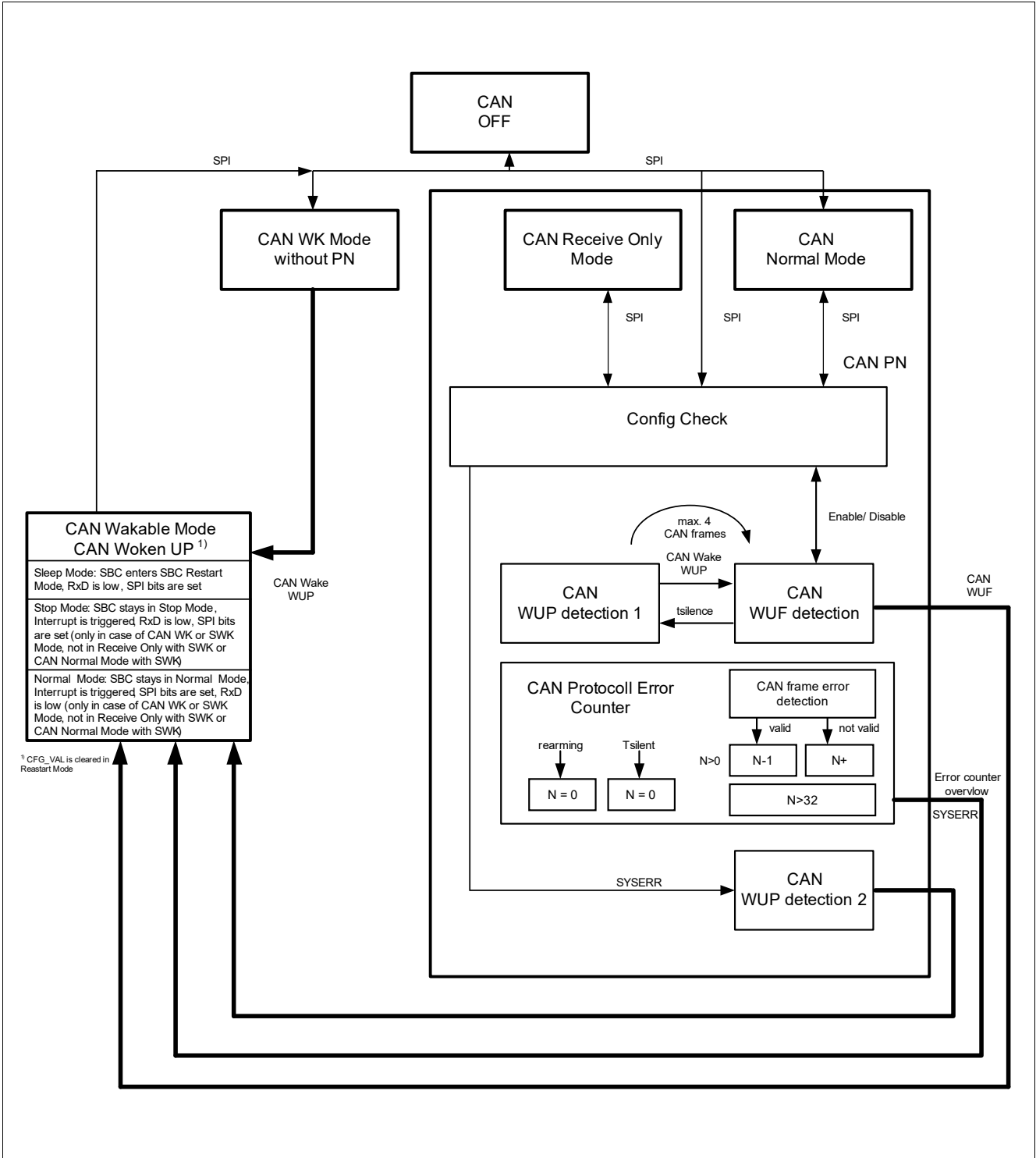


Figure 11 CAN Selective Wake State Diagram

5.4.2.1 Activation of SWK

Below figure shows the principal of the SWK activation.

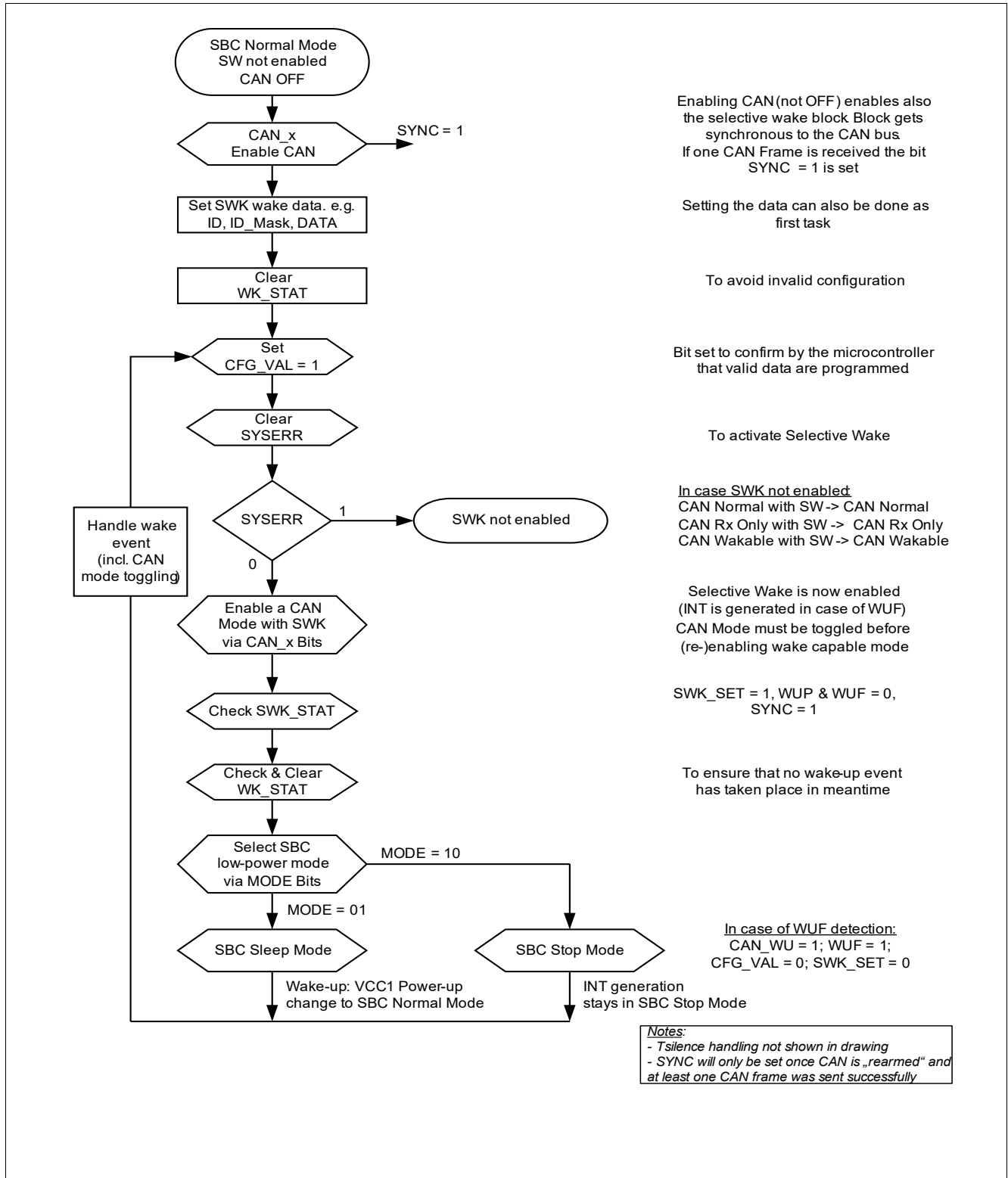


Figure 12 Flow for activation of SWK

5.4.2.2 Wake-up Pattern (WUP)

A WUP is signaled on the bus by two consecutive dominant bus levels for at least t_{WAKE1} , each separated by a recessive bus level.

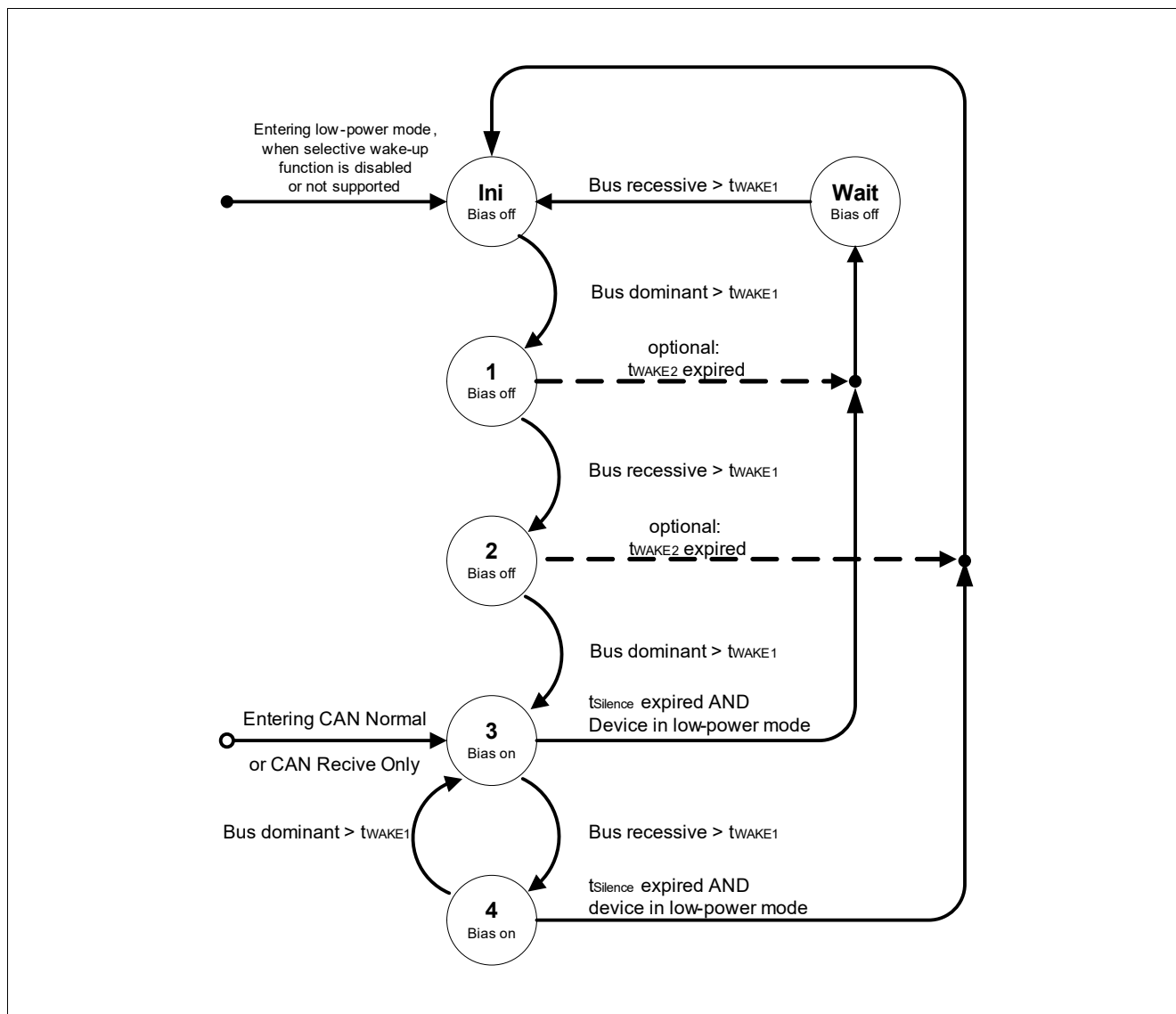


Figure 13 WUP detection following the definition in ISO 11898-2:2016

5.4.2.3 Wake-up Frame (WUF)

The wake-up frame is detection is implemented as defined in ISO 11898-2:2016.

Only CAN frames according ISO11899-1 are considered as potential wake-up frames.

A bus wake-up shall be performed, if selective wake-up function is enabled and a "valid WUF" has been received. The transceiver may ignore up to four consecutive CAN data frames that start after switching on the bias.

A received frame is a "valid WUF" in case all of the following conditions are met:

- The ID of the received frame is exactly matching a configured ID in the relevant bit positions. The relevant bit positions are given by an ID mask. The ID and the ID mask might have either 11 bits or 29 bits.
- The DLC of the received frame is exactly matching the configured DLC.

- In case DLC is greater than 0, the data field of the received frame has at least one bit set in a bit position, where also in the configured data mask in the corresponding bit position the bit is set.
- No error exists according to ISO 11898-1 excepting errors which are signalled in the ACK field and EOF field.

5.4.2.4 CAN Protocol Error Counter

The counter is incremented, when a bit stuffing, CRC or form error according to ISO11898-1 is detected. If a frame has been received that is valid up to the end of the CRC field and the counter is not zero, the counter is decremented.

If the counter has reached a value of 31, the following actions is performed on the next increment of this counter:

- The selective wake function is disabled,
- the CAN transceiver is woken,
- SYSERR is set and the error counter value = 32 can be read.

On each increment or decrement of the counter the decoder unit waits for at least 6 and most 10 recessive bits before considering a dominant bit as new start of frame.

The error counter is enabled:

- whenever the CAN is in Normal Mode, Receive Only Mode or in WUF detection state.

The error counter is cleared under the following conditions:

- at the transition from WUF detection to WUP detection 1 (after t_{SILENCE} expiration, while SWK is correctly enabled)
- When WUF detection state is entered (in this way the counter will start from 0 when SWK is enabled)
- At SBC or CAN rearming (when exiting the woken state)
- When the CAN Mode bits are selected '000', '100' (CAN OFF) or '0'01' (Wake capable without SWK function enabled)
- While CAN_FD_EN = '1' and DIS_ERR_CNT = '1'
(the counter is cleared and stays cleared when these two bits are set in the SPI registers)

The Error Counter is frozen:

- after a wake-up being in woken state

The counter value can be read out of the bits **ECNT**.

5.4.3 Diagnoses Flags

5.4.3.1 PWRON/RESET-FLAG

The power-on reset can be detected and read by the **POR** bit in the SBC Status register. The VS power on resets all register in the SBC to reset value. SWK is not configured.

5.4.3.2 BUSERR-Flag

Bus Dominant Time-out detection is implemented and signaled by CAN_Fail_x in register **BUS_STAT_1**.

5.4.3.3 TXD Dominant Time-out flag

TXD Dominant timeout is shown in the SPI bit CAN_FAIL_x in register **BUS_STAT_1**.

5.4.3.4 WUP Flag

The WUP bit in the **SWK_STAT** register shows that a Wake-Up Pattern (WUP) has caused a wake of the CAN transceiver. It can also indicate an internal mode change from WUP detection 1 state to WUF detection after a valid WUP.

In the following case the bit is set:

- SWK is activated: due to t_{SILENCE} , the CAN changes into the state WUP detection 1. If a WUP is detected in this state, then the **WUP** bit is set
- SWK is deactivated: the **WUP** bit is set if a WUP wakes up the CAN. In addition, the **CAN_WU** bit is set.
- in case WUP is detected during WUP detection 2 state (after a SYSERR) the bits **WUP** and **CAN_WU** are set

The **WUP** bit is cleared automatically by the SBC at the next rearming of the CAN transceiver.

Note: It is possible that WUF and WUP bit are set at the same time if a WUF causes a wake out of SWK, by setting the interrupt or by restart out of SBC Sleep Mode. The reason is because the CAN has been in WUP detection 1 state during the time of SWK mode (because of t_{SILENCE}). See also [Figure 11](#).

5.4.3.5 WUF Flag (WUF)

The WUF bit in the **SWK_STAT** register shows that a Wake-Up frame (WUF) has caused a wake of the CAN block. In SBC Sleep Mode this wake causes a transition to SBC Restart Mode, in SBC Normal Mode and in SBC Stop Mode it causes an interrupt. Also in case of this wake the bit **CAN_WU** in the register **WK_STAT_1** is set.

The **WUF** bit is cleared automatically by the SBC at the next rearming of the CAN SWK function.

5.4.3.6 SYSERR Flag (SYSERR)

The bit SYSERR is set in case of an configuration error and in case of an error counter overflow. The bit is only updated (set to '1') if a CAN mode with SWK is enabled via CAN_x. If **INT_GLOBAL** is set, then an interrupt is triggered on INTN every time **SYSERR** is set.

When programming selective wake via CAN_x, SYSERR = '0' signals that the SWK function has been enabled. The bit can be cleared via SPI. The bit is '0' after Power on Reset of the SBC.

5.4.3.7 Configuration Error

A configuration error sets the SYSERR bit to '1'. When enabling SWK via the bits CAN_x a config check is done. If the check is successful SWK is enabled, the bit SYSERR is set to '0'. In SBC Normal Mode it is also possible to

detect a Configuration Error while SWK is enabled. This will occur if the **CFG_VAL** bit is cleared, e.g. by changing the SWK registers (from address 010 0001 to address 011 0011). In SBC Stop Mode and SBC Sleep Mode this is not possible as the SWK registers can not be changed.

Configuration Check:

in SBC Restart Mode, the **CFG_VAL** bit is cleared by the SBC. If the SBC Restart Mode was not triggered by a WUF wake up from SBC Sleep Mode and the CAN was with SWK enabled, then the **SYSERR** bit will be set.

The **SYSERR** bit has to be cleared by the microcontroller.

The **SYSERR** bit cannot be cleared when **CAN_2** is '1' and below conditions occur:

- Data valid bit not set by microcontroller, i.e. **CFG_VAL** is not set to '1'. The **CFG_VAL** bit is reset after SWK wake and needs to be set by the microcontroller before activation SWK again.
- **CFG_VAL** bit reset by the SBC when data are changed via SPI programming. (Only possible in SBC Normal Mode)

*Note: The SWK configuration is still valid if only the **SWK_CTRL** register is modified.*

5.4.3.8 CAN Bus Timeout-Flag (**CANTO**)

In CAN WUF detection and CAN WUP detection 2 state the bit **CANTO** is set to '1' if the time t_{SILENCE} expires. The bit can be cleared by the microcontroller. If the interrupt function for **CANTO** is enabled then an interrupt is generated in SBC Stop or SBC Normal Mode when the **CANTO** set to '1'. The interrupt is enabled by setting the bit **CANTO_MASK** to '1'. Each **CANTO** event will trigger a interrupt even if the **CANTO** bit is not cleared.

There is no wake out of SBC Sleep Mode because of CAN time-out.

5.4.3.9 CAN Bus Silence-Flag (**CANSIL**)

In CAN WUF detection and CAN WUP detection 2 state the bit **CANSIL** is set to '1' if the time t_{SILENCE} expires. The **CANSIL** bit is set back to '0' with a WUP. With this bit the microcontroller can monitor if there is activity on the CAN bus while being in SWK Mode. The bit can be read in SBC Stop and SBC Normal Mode.

5.4.3.10 SYNC-FLAG (**SYNC**)

The bit **SYNC** shows that SWK is working and synchronous to the CAN bus. To get a **SYNC** bit set it is required to enable the CAN to CAN Normal or in Receive Only Mode or in WUF detection. It is not required to enable the CAN SWK Mode.

The bit is set to '1' if a valid CAN frame has been received (no CRC error and no stuffing error). It is set back to '0' if a CAN protocol error is detected. When switching into SWK mode the **SYNC** bit indicates to the microcontroller that the frame detection is running and the next CAN frame can be detected as a WUF, CAN wake-up can now be handled by the SBC. It is possible to enter a SBC low-power mode with SWK even if the bit is not set to '1', as this is necessary in case of a silent bus.

5.4.3.11 SWK_SET FLAG (**SWK_SET**)

The **SWK_SET** bit is set to signalize the following states (see also **Figure 11**):

- when SWK was correctly enabled in WUF Detection state,
- when SWK was correctly enabled when in WUP Detection 1 state,
- after a **SYSERR** before a wake event in WUP Detection 2 state,

The bit is cleared under following conditions:

- after a wake-up (ECNT overflow, WUP in WUP detection 2, WUF in WUF detection)
- if CAN_2 is cleared

5.4.4 SBC Modes for Selective Wake (SWK)

The SBC mode is selected via the **MODE** bits as described in [Chapter 5.1](#).

The mode of the CAN transceiver needs to be selected in SBC Normal Mode. The CAN mode is programmed the bits CAN_0, CAN_1 and CAN_2. In the low-power modes (SBC Stop, SBC Sleep) the CAN mode can not be changed via SPI.

The detailed SBC state machine diagram including the CAN selective wake feature is shown in [Figure 6](#).

The application must now distinguish between the normal CAN operation and the selective wake function:

- WK Mode: This is the normal CAN wake capable mode without the selective wake function
- SWK Mode: This is the CAN wake capable mode with the selective wake function enabled

[Figure 14](#) shows the possible CAN transceiver modes.

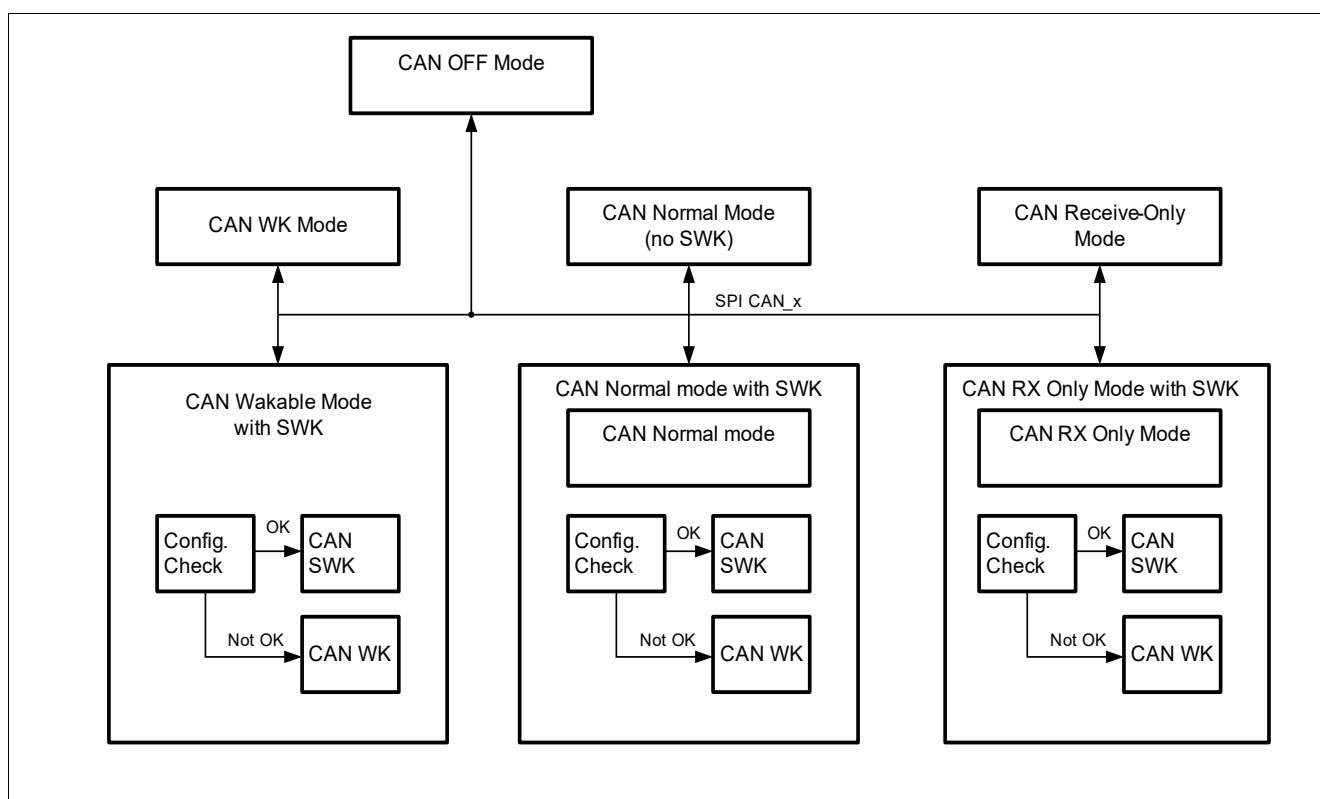


Figure 14 CAN SWK State Diagram

5.4.4.1 SBC Normal Mode with SWK

In SBC Normal Mode the CAN Transceiver can be switched into the following CAN Modes

- CAN OFF
- CAN WK Mode (without SWK)
- CAN SWK Mode
- CAN Receive Only (No SWK activated)
- CAN Receive Only Mode with SWK
- CAN Normal Mode (No SWK activated)
- CAN Normal Mode with SWK

In the CAN Normal Mode with SWK the CAN Transceiver works as in SBC Normal Mode, so bus data is received through RXD, data is transmitted through TXD and sent to the bus. In addition the SWK block is active. It

monitors the data on the CAN bus, updates the error counter and sets the **CANSIL** flag if there is no communication on the bus.

It will generate an CAN Wake interrupt in case a WUF is detected (RXD is not pulled to LOW in this configuration).

In CAN Receive Only Mode with SWK, CAN data can be received on RXD and SWK is active, no data can be sent to the bus.

The bit **SYSERR** = '0' indicates that the SWK function is enabled, and no frame error counter overflow is detected.

Table 9 CAN Modes selected via SPI in SBC Normal Mode

| CAN Mode | CAN_2 | CAN_1 | CAN_0 |
|---------------------------|-------|-------|-------|
| CAN OFF | 0 | 0 | 0 |
| CAN WK Mode (no SWK) | 0 | 0 | 1 |
| CAN Receive Only (no SWK) | 0 | 1 | 0 |
| CAN Normal Mode (no SWK) | 0 | 1 | 1 |
| CAN OFF | 1 | 0 | 0 |
| CAN SWK Mode | 1 | 0 | 1 |
| CAN Receive Only with SWK | 1 | 1 | 0 |
| CAN Normal Mode with SWK | 1 | 1 | 1 |

When reading back CAN_x the programmed mode is shown in SBC Normal Mode. To read the real CAN mode the bits **SYSERR**, **SWK_SET** and **CAN** have to be evaluated. A change out of SBC Normal Mode can change the CAN_0 and CAN_1 bits.

5.4.4.2 SBC Stop Mode with SWK

In SBC Stop Mode the CAN Transceiver can be operated with the following CAN Modes

- CAN OFF
- CAN WK Mode (no SWK)
- CAN SWK Mode
- CAN Receive Only (no SWK)
- CAN Receive Only with SWK
- CAN Normal Mode (no SWK)
- CAN Normal Mode with SWK

To enable CAN SWK Mode the CAN has to be switched to “CAN Normal Mode with SWK”, “CAN Receive Only Mode with SWK” or to “CAN SWK Mode” in SBC Normal Mode before sending the SBC to SBC Stop Mode. The bit **SYSERR** = '0' indicates that the SWK function is enabled. The table shows the change of CAN Mode when switching from SBC Normal Mode to SBC Stop Mode.

Note: CAN Receive Only Mode in SBC Stop Mode is implemented to also enable pretended networking (Partial networking done in the microcontroller).

Table 10 CAN Modes change when switching from SBC Normal Mode to SBC Stop Mode

| Programmed CAN Mode in SBC Normal Mode | CAN_x bits | SYSERR bit | CAN Mode in SBC Stop Mode | CAN_x bits |
|--|------------|------------|---------------------------|------------|
| CAN OFF | 000 | 0 | CAN OFF | 000 |
| CAN WK Mode (no SWK) | 001 | 0 | CAN WK Mode (no SWK) | 001 |
| CAN Receive Only (no SWK) | 010 | 0 | CAN Receive Only (no SWK) | 010 |
| CAN Normal Mode (no SWK) | 011 | 0 | CAN WK Mode (no SWK) | 011 |
| CAN OFF | 100 | 0 | CAN OFF | 100 |
| CAN SWK Mode | 101 | 0 | CAN SWK Mode | 101 |
| CAN SWK Mode | 101 | 1 | CAN WK Mode (no SWK) | 101 |
| CAN Receive Only with SWK | 110 | 0 | CAN Receive Only with SWK | 110 |
| CAN Receive Only with SWK | 110 | 1 | CAN Receive Only (no SWK) | 110 |
| CAN Normal Mode with SWK | 111 | 0 | CAN Normal Mode with SWK | 111 |
| CAN Normal Mode with SWK | 111 | 1 | CAN Normal Mode (no SWK) | 111 |

Note: When SYSERR is set then WUF frames will not be detected, i.e. the selective wake function is not activated (no SWK), but the MSB of CAN mode is not changed in the register.

5.4.4.3 SBC Sleep Mode with SWK

In SBC Sleep Mode the CAN Transceiver can be switched into the following CAN Modes

- CAN OFF
- CAN WK Mode (without SWK)
- CAN SWK Mode

To enable “CAN SWK Mode” the CAN has to be switched to “CAN Normal Mode with SWK”, “CAN Receive Only Mode with SWK” or to “CAN SWK Mode” in SBC Normal Mode before sending the device to SBC Sleep Mode. The table shows the change of CAN mode when switching from SBC Normal Mode to Sleep Mode.

A wake from Sleep Mode with Selective Wake (Valid WUF) leads to Restart Mode. In Restart Mode the CFG_VAL bit will be cleared by the SBC, the SYSERR bit is not set. In the register CAN_x the programmed CAN SWK Mode (101) can be read.

To enable the CAN SWK Mode again and to enter SBC Sleep Mode the following sequence can be used; Program a CAN Mode different from CAN SWK Mode (101, 110, 111), set the CFG_VAL, CLEAR SYSERR bit, Set CAN_x bits to CAN SWK Mode (101), switch SBC to Sleep Mode.

To enable the CAN WK Mode or CAN SWK Mode again after a wake on CAN a rearming is required for the CAN transceiver to be wake capable again. The rearming is done by programming the CAN into a different mode with the CAN_x bit and back into the CAN WK Mode or CAN SWK Mode. To avoid lock-up when switching the SBC into Sleep Mode with an already woken CAN transceiver, the SBC does an automatic rearming of the CAN transceiver when switching into Sleep Mode. So after switching into Sleep Mode the CAN transceiver is either in CAN SWK Mode or CAN WK Mode depending on CAN_x setting and SYSERR bit (If CAN is switched to OFF Mode it is also OFF in Sleep Mode)

Table 11 CAN Modes change when switching to SBC Sleep Mode

| Programmed CAN Mode in SBC Normal Mode | CAN_x bits | SYSERR bit | CAN Mode in SBC Sleep Mode | CAN_x bits |
|--|------------|------------|----------------------------|------------|
| CAN OFF | 000 | 0 | CAN OFF | 000 |
| CAN WK Mode (no SWK) | 001 | 0 | CAN WK Mode (no SWK) | 001 |
| CAN Receive Only (no SWK) | 010 | 0 | CAN WK Mode (no SWK) | 001 |
| CAN Normal Mode (no SWK) | 011 | 0 | CAN WK Mode (no SWK) | 001 |
| CAN OFF | 100 | 0 | CAN OFF | 100 |
| CAN SWK Mode | 101 | 0 | CAN SWK Mode | 101 |
| CAN SWK Mode | 101 | 1 | CAN WK Mode (no SWK) | 101 |
| CAN Receive Only with SWK | 110 | 0 | CAN SWK Mode | 101 |
| CAN Receive Only with SWK | 110 | 1 | CAN WK Mode (no SWK) | 101 |
| CAN Normal Mode with SWK | 111 | 0 | CAN SWK Mode | 101 |
| CAN Normal Mode with SWK | 111 | 1 | CAN WK Mode (no SWK) | 101 |

5.4.4.4 SBC Restart Mode with SWK

If SBC Restart Mode is entered the transceiver can change the CAN mode. During Restart or after Restart the following modes are possible

- CAN OFF
- CAN WK Mode (either still wake cable or already woken up)
- CAN SWK Mode (WUF Wake from Sleep)

Table 12 CAN Modes change in case of Restart out of SBC Normal Mode

| Programmed CAN Mode in SBC Normal Mode | CAN_x bits | SYSERR bit | CAN Mode in and after SBC Restart Mode | CAN_x bits | SYSERR bit |
|--|------------|------------|--|------------|------------|
| CAN OFF | 000 | 0 | CAN OFF | 000 | 0 |
| CAN WK Mode (no SWK) | 001 | 0 | CAN WK Mode (no SWK) | 001 | 0 |
| CAN Receive Only (no SWK) | 010 | 0 | CAN WK Mode (no SWK) | 001 | 0 |
| CAN Normal Mode (no SWK) | 011 | 0 | CAN WK Mode (no SWK) | 001 | 0 |
| CAN OFF | 100 | 0 | CAN OFF | 100 | 0 |
| CAN SWK Mode | 101 | 0 | CAN WK Mode (no SWK) | 101 | 1 |
| CAN SWK Mode | 101 | 1 | CAN WK Mode (no SWK) | 101 | 1 |
| CAN Receive Only with SWK | 110 | 0 | CAN WK Mode (no SWK) | 101 | 1 |
| CAN Receive Only with SWK | 110 | 1 | CAN WK Mode (no SWK) | 101 | 1 |
| CAN Normal Mode with SWK | 111 | 0 | CAN WK Mode (no SWK) | 101 | 1 |
| CAN Normal Mode with SWK | 111 | 1 | CAN WK Mode (no SWK) | 101 | 1 |

The various reasons for entering SBC Restart Mode and the respective status flag settings are shown in [Table 13](#).

Table 13 CAN Modes change in case of Restart out of SBC Sleep Mode

| CAN Mode in SBC Sleep Mode | CAN Mode in and after SBC Restart Mode | CAN_x | SYS ERR | CAN_WU | WUP | WUF | ECNT_x | Reason for Restart |
|---------------------------------|--|-------|---------|--------|-------------------|-----|--------|--|
| CAN OFF | CAN OFF | 000 | 0 | 0 | 0 | 0 | 0 | Wake on other wake source |
| CAN WK Mode | CAN woken up | 001 | 0 | 1 | 1 | 0 | 0 | Wake (WUP) on CAN |
| CAN WK Mode | CAN WK Mode | 001 | 0 | 0 | 0 | 0 | 0 | Wake on other wake source |
| CAN SWK Mode | CAN woken up | 101 | 0 | 1 | 0/1 ¹⁾ | 1 | x | Wake (WUF) on CAN |
| CAN SWK Mode, | CAN woken up | 101 | 1 | 1 | 0/1 ²⁾ | 0 | 100000 | Wake due to error counter overflow |
| CAN SWK selected, CAN WK active | CAN woken up. | 101 | 1 | 1 | 1 | 0 | 0 | Wake (WUP) on CAN, config check was not pass |
| CAN SWK Mode | CAN WK Mode | 101 | 1 | 0 | 0/1 | 0 | x | Wake on other wake source |

- 1) In case there is a WUF detection within $t_{SILENCE}$ then the WUP bit will not be set. Otherwise it will always be set together with the WUF bit.
- 2) In some cases the WUP bit might stay cleared even after $t_{SILENCE}$, e.g. when the error counter expires without detecting a wake up pattern

5.4.4.5 SBC Fail-Safe Mode with SWK

When SBC Fail-Safe Mode is entered the CAN transceiver is automatically set into WK Mode (wake capable) without the selective wake function.

5.4.5 Wake-up

A wake-up via CAN leads to a restart out of SBC Sleep Mode and to an interrupt in SBC Normal Mode, and in SBC Stop Mode. After the wake event the bit CAN_WU is set, and the details about the wake can be read out of the bits WUP, WUF, SYSERR, and ECNT.

5.4.6 Configuration for SWK

The CAN protocol handler settings can be configured in following registers:

- **SWK_BTL1_CTRL** defines the number of time quanta in a bit time. This number depends also on the internal clock settings performed in the register **SWK_CDR_CTRL2**;
- **SWK_BTL2_CTRL** defines the sampling point position;
- The respective receiver during frame detection mode can be selected via the bit **RX_WK_SEL**;
- The clock and data recovery (see also [Chapter 5.4.8](#)) can be configured in the registers **SWK_CDR_CTRL1**, **SWK_CDR_CTRL2**, **SWK_CDR_LIMIT_HIGH_CTRL** and **SWK_CDR_LIMIT_LOW_CTRL**;

The actual configuration for selective wake is done via the Selective Wake Control Registers SWK_IDx_CTRL, SWK_MASK_IDx_CTRL, SWK_DLC_CTRL, SWK_DATAx_CTRL.

The oscillator has the option to be trimmed by the microcontroller. To measure the oscillator, the SPI bit OSC_CAL needs to be set to 1 and a defined pulse needs to be given to the TXDCAN pin by the microcontroller (e.g. 1µs pulse, CAN needs to be switched off before). The SBC measures the length of the pulse by counting the time with the integrated oscillator. The counter value can be read out of the register SWK_OSC_CAL_H_STATE and SWK_OSC_CAL_L_STATE. To change the oscillator the trimming function needs to be enabled by setting the bits TRIM_EN_x = 11 (and OSC_CAL = 1). The oscillator can then be adjusted by writing into the registers **SWK_OSC_TRIM_CTRL** and **SWK_OPT_CTRL**. To finish the trimming, the bits TRIM_EN_x need to be set back to "00".

5.4.7 CAN Flexible Data Rate (CAN FD) Tolerant Mode

The CAN FD tolerant mode can be activated by setting the bit **CAN_FD_EN** = '1' in the register **SWK_CAN_FD_CTRL**. With this mode the internal CAN frame decoding will be stopped for CAN FD frame formats:

- The high baudrate part of a CAN FD frame will be ignored,
- No Error Handling (Bit Stuffing, CRC checking, Form Errors) will be applied to remaining CAN frame fields (Data Field, CRC Field, ...),
- No wake up is done on CAN FD frames.

The internal CAN frame decoder will be ready for new CAN frame reception when the End of frame (EOF) of a CAN FD frame is detected. The identification for a CAN FD frame is based on the EDL Bit, which is sent in the Control Field of a CAN FD frame:

- EDL Bit = 1 identifies the current frame as an CAN FD frame and will stop further decoding on it.
- EDL Bit = 0 identifies the current frame as CAN 2.0 frame and processing of the frame will be continued

In this way it is possible to send mixed CAN frame formats without affecting the selective wake functionality by error counter increment and subsequent misleading wake up. In addition to the **CAN_FD_EN** bit also a filter setting must be provided for the CAN FD tolerant mode. This filter setting defines the minimum dominant time for a CAN FD dominant bit which will be considered as a dominant bit from the CAN FD frame decoder. This value must be aligned with the selected high baudrate of the data field in the CAN network.

To support programming via CAN during CAN FD mode a dedicated SPI bit **DIS_ERR_CNT** is available to avoid an overflow of the implemented error counter (see also [Chapter 5.4.2.4](#)).

The behavior of the error counter depends on the setting of the bits **DIS_ERR_CNT** and **CAN_FD_EN** and is shown in the table below:

Table 14 Error Counter Behavior

| DIS_ERR_CNT setting | CAN_FD_EN setting | Error Counter Behavior |
|----------------------------|--------------------------|---|
| 0 | 0 | Error Counter counts up when a CAN FD frame or an incorrect/corrupted CAN frame is received; counts down when a CAN frame is received properly (as specified in ISO 11898-2:2016) |
| 1 | 0 | Error Counter counts up when a CAN FD frame or an incorrect/corrupted CAN frame is received; counts down when a CAN frame is received properly (as specified in ISO 11898-2:2016) |
| 0 | 1 | Error Counter counts down when correct CAN (incl. CAN FD) frame is received |
| 1 | 1 | Error Counter is and stays cleared to avoid an overflow during programming via CAN |

The **DIS_ERR_CNT** bit is automatically cleared at t_{SILENCE} expiration.

5.4.8 Clock and Data Recovery

In order to compensate possible deviations on the CAN oscillator frequency caused by assembly and lifetime effects, the device features an integrated clock and data recovery (CDR).

It is recommended to always enable the CDR feature during SWK operation.

5.4.8.1 Configuring the Clock Data Recovery for SWK

The Clock and Data Recovery can be optionally enabled or disabled with the **CDR_EN** bit in the **SWK_CDR_CTRL1** SPI register. In case the feature is enabled, the CAN bit stream will be measured and the internal clock used for the CAN frame decoding will be updated accordingly.

Before the Clock and Data Recovery can be used it must be configured properly related to the used baud rate and filtering characteristics (see [Chapter 5.4.8.2](#)).

It is strongly recommended not to enable/disable the Clock Recovery during an active CAN Communication.

To ensure this, it is recommended to enable/disable it during CAN OFF (**BUS_CTRL_1**; CAN[2:0] = 000).

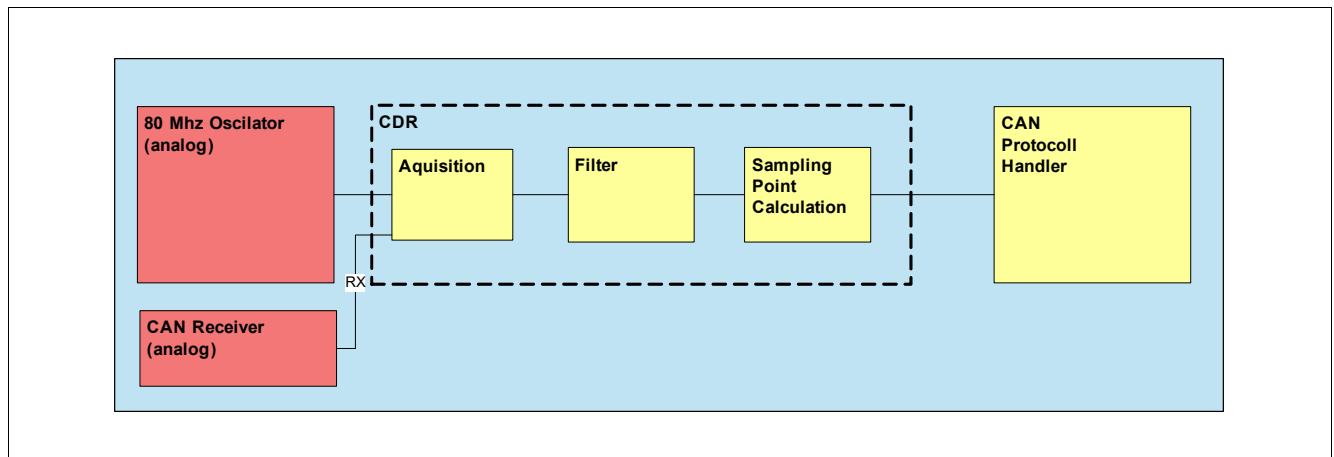


Figure 15 Clock and Data Recovery Block Diagram

5.4.8.2 Setup of Clock and Data Recovery

It is strongly recommended to enable the clock and data recovery feature only when the setup of the clock and data recovery is finished.

The following sequence should be followed for enabling the clock and data recovery feature:

- Step 1: Switch CAN to OFF and **CDR_EN** to OFF
Write SPI Register **BUS_CTRL_1** (CAN[2:0] = 000).
- Step 2: Configure CDR Input clock frequency
Write SPI Register **SWK_CDR_CTRL2** (SEL_OSC_CLK[1:0]).
- Step 3: Configure Bit timing Logic
Write SPI Register **SWK_BTL1_CTRL** and adjust **SWK_CDR_LIMIT_HIGH_CTRL** and **SWK_CDR_LIMIT_LOW_CTRL** according to **Table 38**.
- Step 4: Enable Clock and Data Recovery
Choose filter settings for Clock and Data recovery. Write SPI Register **SWK_CDR_CTRL1** with **CDR_EN** = 1

Additional hints for the CDR configuration and operation:

- Even if the CDR is disabled, when the baud rate is changed, the settings of **SEL_OSC_CLK** in the register **SWK_CDR_CTRL1** and **SWK_BTL1_CTRL** have to be updated accordingly,
- The **SWK_CDR_LIMIT_HIGH_CTRL** and **SWK_CDR_LIMIT_LOW_CTRL** registers have to be also updated when the baud rate or clock frequency is changed (the CDR is discarding all the acquisitions and loses all acquired information, if the limits are reached - the **SWK_BTL1_CTRL** value is reloaded as starting point for the next acquisitions)
- When updating the CDR registers, it is recommended to disable the CDR and to enable it again only after the new settings are updated,
- The **SWK_BTL2_CTRL** register represents the sampling point position. It is recommended to be used at default value: 11 0011 (~80%)

5.4.9 Electrical Characteristics

Table 15 Electrical Characteristics

$V_S = 5.5\text{ V to }28\text{ V}$; $T_j = -40\text{ °C to }+150\text{ °C}$; $4.75\text{ V} < V_{CAN} < 5.25\text{ V}$; $R_L = 60\Omega$; CAN Normal Mode; all voltages with respect to ground, positive current flowing into pin (unless otherwise specified)

| Parameter | Symbol | Values | | | Unit | Note or Test Condition | Number |
|--|-----------------------------|--------|------|------|---------------|---|---------|
| | | Min. | Typ. | Max. | | | |
| CAN Partial Network Timing | | | | | | | |
| Timeout for bus inactivity | t_{SILENCE} | 0.6 | – | 1.2 | s | ¹⁾ | P_5.4.1 |
| Bias reaction time | t_{bias} | – | – | 200 | μs | ¹⁾ Load $R_L = 60\ \Omega$, $C_L = 100\ \text{pF}$, $C_{\text{GND}} = 100\ \text{p}$ | P_5.4.2 |
| Wake-up reaction time (WUP or WUF) | $t_{\text{WU_WUP/WUF}}$ | – | – | 100 | μs | ¹⁾²⁾³⁾ Wake-up reaction time after a valid WUP or WUF; | P_5.4.3 |
| Min. Bit Time | $t_{\text{Bit_min}}$ | 1 | – | – | μs | ¹⁾⁴⁾ | P_5.4.4 |
| CAN FD Tolerance⁵⁾ | | | | | | | |
| SOF acceptance | $n_{\text{Bits_idle}}$ | 6 | – | 10 | bits | ⁶⁾ Number of recessive bits before a new SOF shall be accepted | P_5.4.5 |
| Dominant signals which are ignored (up to 2MBit/s) | $t_{\text{FD_Glitch_4}}$ | 0 | – | 5 | % | ⁶⁾⁷⁾ of arbitration bit time; to be configured via FD_FILTER ; | P_5.4.6 |
| Dominant signals which are ignored (up to 5MBit/s) | $t_{\text{FD_Glitch_10}}$ | 0 | – | 2.5 | % | ⁶⁾⁸⁾ of arbitration bit time; to be configured via FD_FILTER ; | P_5.4.7 |
| Signals which are detected as a dominant data bit after the FDF bit and before EOF bit (up to 2MBit/s) | $t_{\text{FD_DOM_4}}$ | 17.5 | – | – | % | ⁶⁾⁷⁾ of arbitration bit time; to be configured via FD_FILTER ; | P_5.4.8 |
| Signals which are detected as a dominant data bit after the FDF bit and before EOF bit (up to 5MBit/s) | $t_{\text{FD_DOM_10}}$ | 8.75 | – | – | % | ⁶⁾⁸⁾ of arbitration bit time; to be configured via FD_FILTER ; | P_5.4.9 |

1) Not subject to production test, tolerance defined by internal oscillator tolerance

2) Wake-up signaled via INT pin activation in SBC Stop Mode and via VCC1 ramping up with wake from SBC Sleep Mode.

3) WUP: time starts with end of last dominant phase of WUP; WUF: time starts with end of CRC delimiter of the WUF.

4) The minimum bit time corresponds to a maximum bit rate of 1 Mbit/s. The lower end of the bit rate depends on the protocol IC or the permanent dominant detection circuitry preventing a permanently dominant clamped bus.

5) Applies for an arbitration rate of up to 500kbps until the FDF bit is detected.

6) Not subject to production test; specified by design.

7) A data phase bit rate less or equal to four times of the arbitration bit rate or 2 Mbit/s, whichever is lower.

8) A data phase bit rate less or equal to ten times of the arbitration bit rate or 5 Mbit/s, whichever is lower.

Voltage Regulator 1

6 Voltage Regulator 1

6.1 Block Description

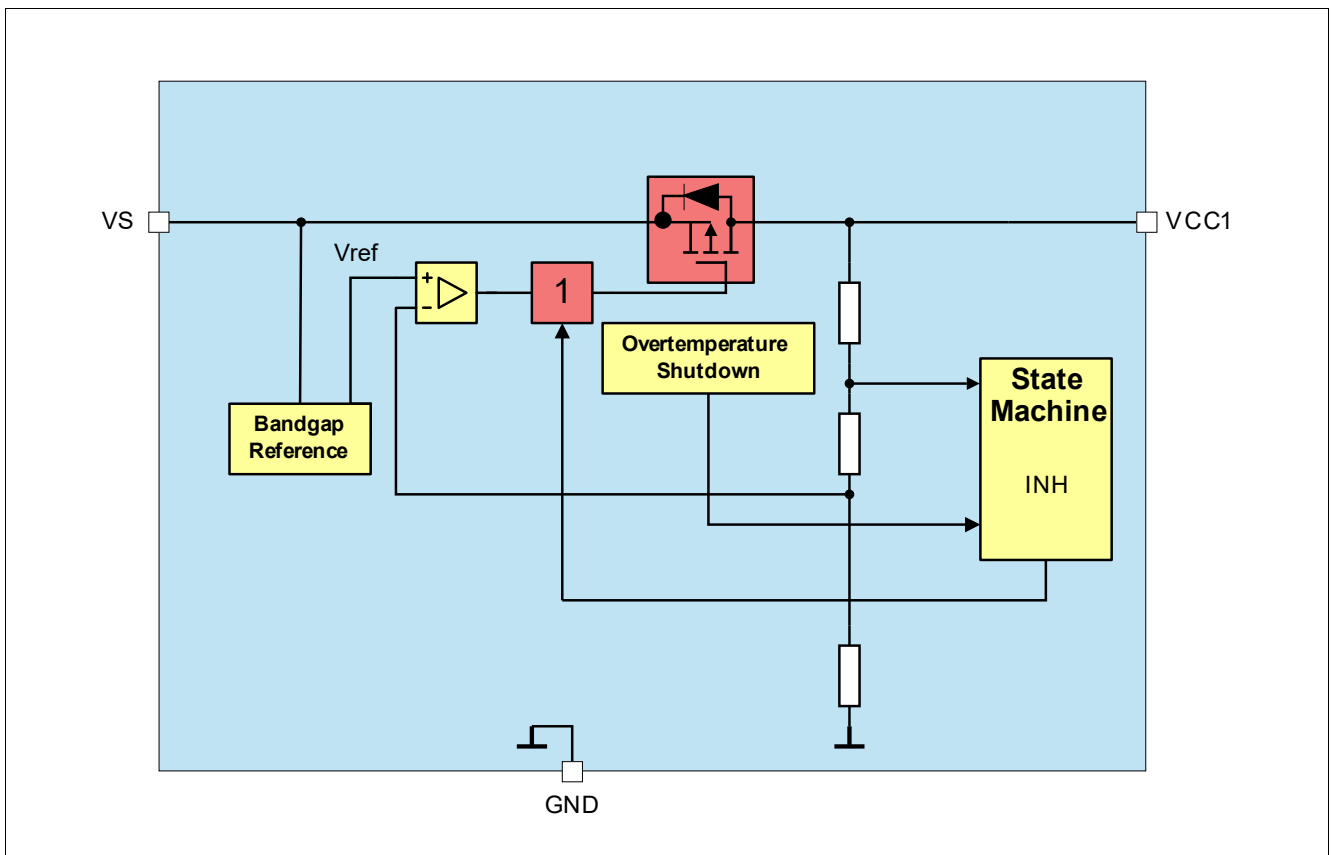


Figure 16 Module Block Diagram

Functional Features

- 3.3V low-drop voltage regulator
- Undervoltage monitoring with adjustable reset level, VCC1 prewarning and VCC1 short circuit detection ($V_{RT1/2/3/4}$, $V_{PW,f}$). Please refer to [Chapter 15.6](#) and [Chapter 15.7](#) for more information.
- Short circuit detection and switch off with undervoltage fail threshold, device enters SBC Fail-Safe Mode
- $\geq 470\text{nF}$ ceramic capacitor at voltage output for stability, with $\text{ESR} < 1\Omega @ f = 10\text{ kHz}$, to achieve the voltage regulator control loop stability based on the safe phase margin (bode diagram).
- Output current capability up to $I_{VCC1,lim}$.

Voltage Regulator 1

6.2 Functional Description

The Voltage Regulator 1 (=VCC1) is “ON” in SBC Normal and SBC Stop Mode and is disabled in SBC Sleep and in SBC Fail-Safe Mode. The regulator can provide an output current up to $I_{VCC1,lim}$.

For low-quiescent current reasons, the output voltage tolerance is decreased in SBC Stop Mode because only a low-power mode regulator with a lower accuracy ($V_{CC1,out41}$) will be active for small loads. If the load current on VCC1 exceeds the selected threshold ($I_{VCC1,peak1,r}$ or $I_{VCC1,peak2,r}$) then the high-power mode regulator will be also activated to support an optimum dynamic load behavior. The current consumption will then increase by typ. 2.9mA.

If the load current on VCC1 falls below the selected threshold ($I_{VCC1,peak1,f}$ or $I_{VCC1,peak2,f}$), then the low-quiescent current mode is resumed again by disabling the high-power mode regulator.

Both regulators (low-power mode and high-power mode) are active in SBC Normal Mode.

Two different active peak thresholds can be selected via SPI:

- **I_PEAK_TH** = ‘0’ (default): the lower VCC1 active peak threshold 1 is selected with lowest quiescent current consumption in SBC Stop Mode ($I_{Stop_1,25}$, $I_{Stop_1,85}$);
- **I_PEAK_TH** = ‘1’: the higher VCC1 active peak threshold 2 is selected with an increased quiescent current consumption in SBC Stop Mode ($I_{Stop_2,25}$, $I_{Stop_2,85}$);

Voltage Regulator 1

6.3 Electrical Characteristics

Table 16 Electrical Characteristics

$V_S = 5.5\text{ V to }28\text{ V}$; $T_j = -40\text{ °C to }+150\text{ °C}$; all voltages with respect to ground, positive current flowing into pin (unless otherwise specified)

| Parameter | Symbol | Values | | | Unit | Note or Test Condition | Number |
|---|--------------------|--------|------|--------------------|------|--|----------|
| | | Min. | Typ. | Max. | | | |
| Output Voltage including line and Load regulation (VCC1 = 3.3V) | $V_{CC1,out5}$ | 3.23 | 3.3 | 3.37 | V | ¹⁾ SBC Normal Mode; $10\mu\text{A} < I_{VCC1} < 250\text{mA}$ $6\text{V} < V_S < 28\text{V}$ | P_6.3.14 |
| Output Voltage including line and Load regulation | $V_{CC1,out8}$ | 3.23 | 3.3 | 3.37 | V | ¹⁾ SBC Normal Mode; $10\mu\text{A} < I_{VCC1} < 150\text{mA}$ | P_6.3.22 |
| Output Voltage including line and Load regulation (VCC1 = 3.3V) | $V_{CC1,out6}$ | 3.29 | – | 3.35 | V | ¹⁾²⁾ SBC Normal Mode; $20\text{mA} < I_{VCC1} < 80\text{mA}$ $8\text{V} < V_S < 18\text{V}$ $25\text{°C} < T_j < 125\text{°C}$ | P_6.3.15 |
| Output Voltage including line and Load regulation (VCC1 = 3.3V) | $V_{CC1,out71}$ | 3.29 | 3.3 | 3.43 | V | SBC Stop Mode; $1\text{mA} < I_{VCC1} < I_{VCC1,peak}$ | P_6.3.16 |
| Output Voltage including line and Load regulation (VCC1 = 3.3V) | $V_{CC1,out72}$ | 3.29 | 3.3 | 3.47 | V | SBC Stop Mode; $10\mu\text{A} < I_{VCC1} < 1\text{mA}$ | P_6.3.21 |
| Output Drop | $V_{CC1,d1}$ | – | – | 500 | mV | $I_{VCC1} = 50\text{mA}$ $V_S = 3\text{V}$ | P_6.3.3 |
| Output Drop | $V_{CC1,d2}$ | – | – | 500 | mV | $I_{VCC1} = 150\text{mA}$ $V_S = 5\text{V}$ | P_6.3.4 |
| VCC1 Active Peak Threshold 1 (Transition threshold between low-power and high-power mode regulator) | $I_{VCC1,peak1,r}$ | – | 1.9 | 3.5 | mA | ²⁾ I_{CC1} rising; $V_S = 13.5\text{V}$ $-40\text{°C} < T_j < 150\text{°C}$; I_PEAK_TH = '0' | P_6.3.13 |
| VCC1 Active Peak Threshold 1 (Transition threshold between high-power and low-power mode regulator) | $I_{VCC1,peak1,f}$ | 0.5 | 1.3 | – | mA | ²⁾ I_{CC1} falling; $V_S = 13.5\text{V}$ $-40\text{°C} < T_j < 150\text{°C}$; I_PEAK_TH = '0' | P_6.3.17 |
| VCC1 Active Peak Threshold 2 (Transition threshold between low-power and high-power mode regulator) | $I_{VCC1,peak2,r}$ | – | 4.3 | 7.0 | mA | ²⁾ I_{CC1} rising; $V_S = 13.5\text{V}$ $-40\text{°C} < T_j < 150\text{°C}$; I_PEAK_TH = '1' | P_6.3.18 |
| VCC1 Active Peak Threshold 2 (Transition threshold between high-power and low-power mode regulator) | $I_{VCC1,peak2,f}$ | 1.7 | 3.4 | – | mA | ²⁾ I_{CC1} falling; $V_S = 13.5\text{V}$ $-40\text{°C} < T_j < 150\text{°C}$; I_PEAK_TH = '1' | P_6.3.19 |
| Overcurrent Limitation | $I_{VCC1,lim}$ | 250 | – | 1200 ²⁾ | mA | current flowing out of pin, $V_{CC1} = 0\text{V}$ | P_6.3.6 |

Voltage Regulator 1

- 1) In SBC Stop Mode, the specified output voltage tolerance applies when I_{VCC1} has exceeded the selected active peak threshold ($I_{VCC1, I_{peak1,r}}$ or $I_{VCC1, I_{peak2,r}}$) but with increased current consumption.
- 2) Not subject to production test, specified by design.

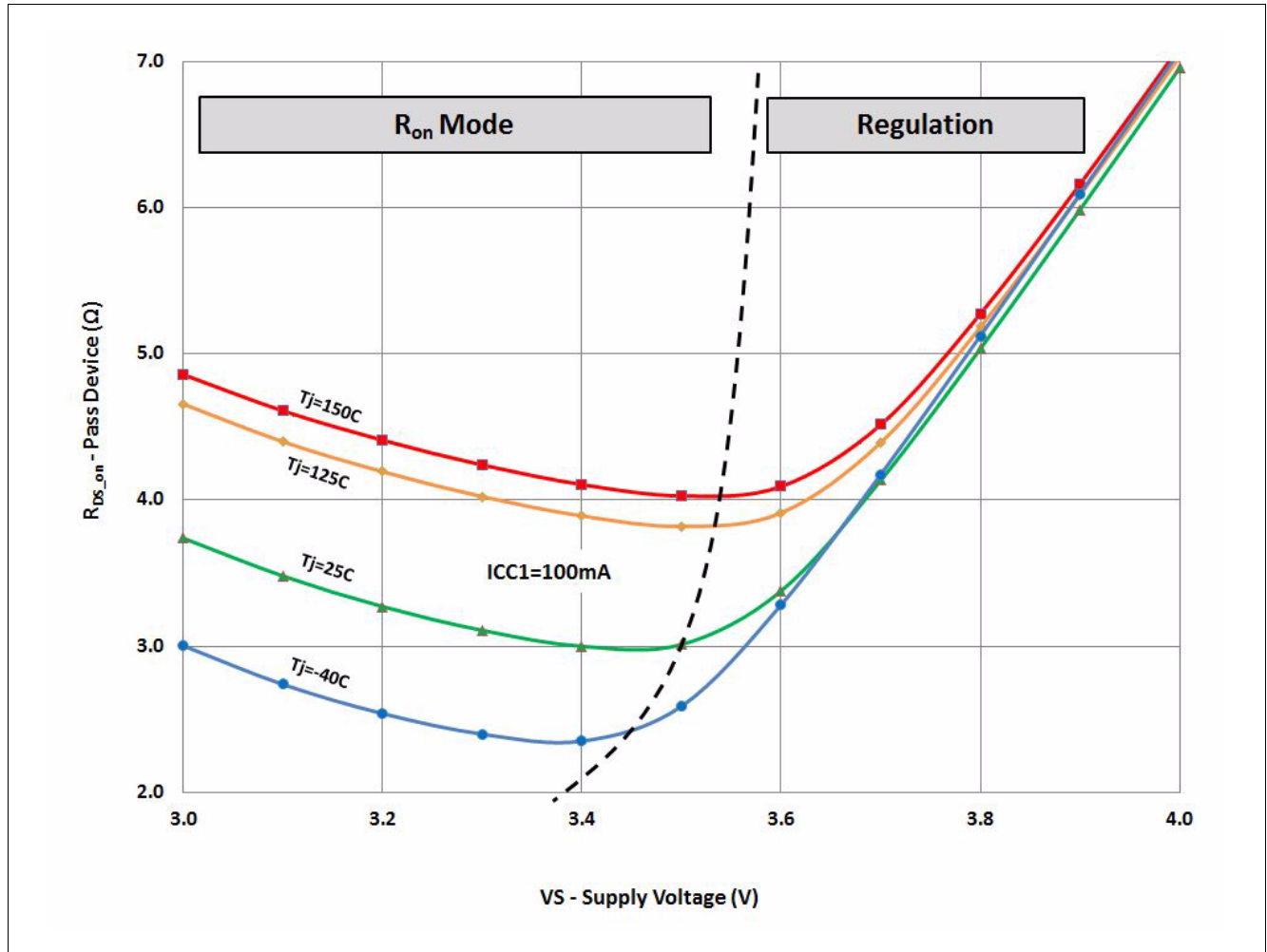


Figure 17 Typical on-resistance characterization results of VCC1 pass device during low drop operation for $I_{CC1} = 100\text{mA}$

Voltage Regulator 1

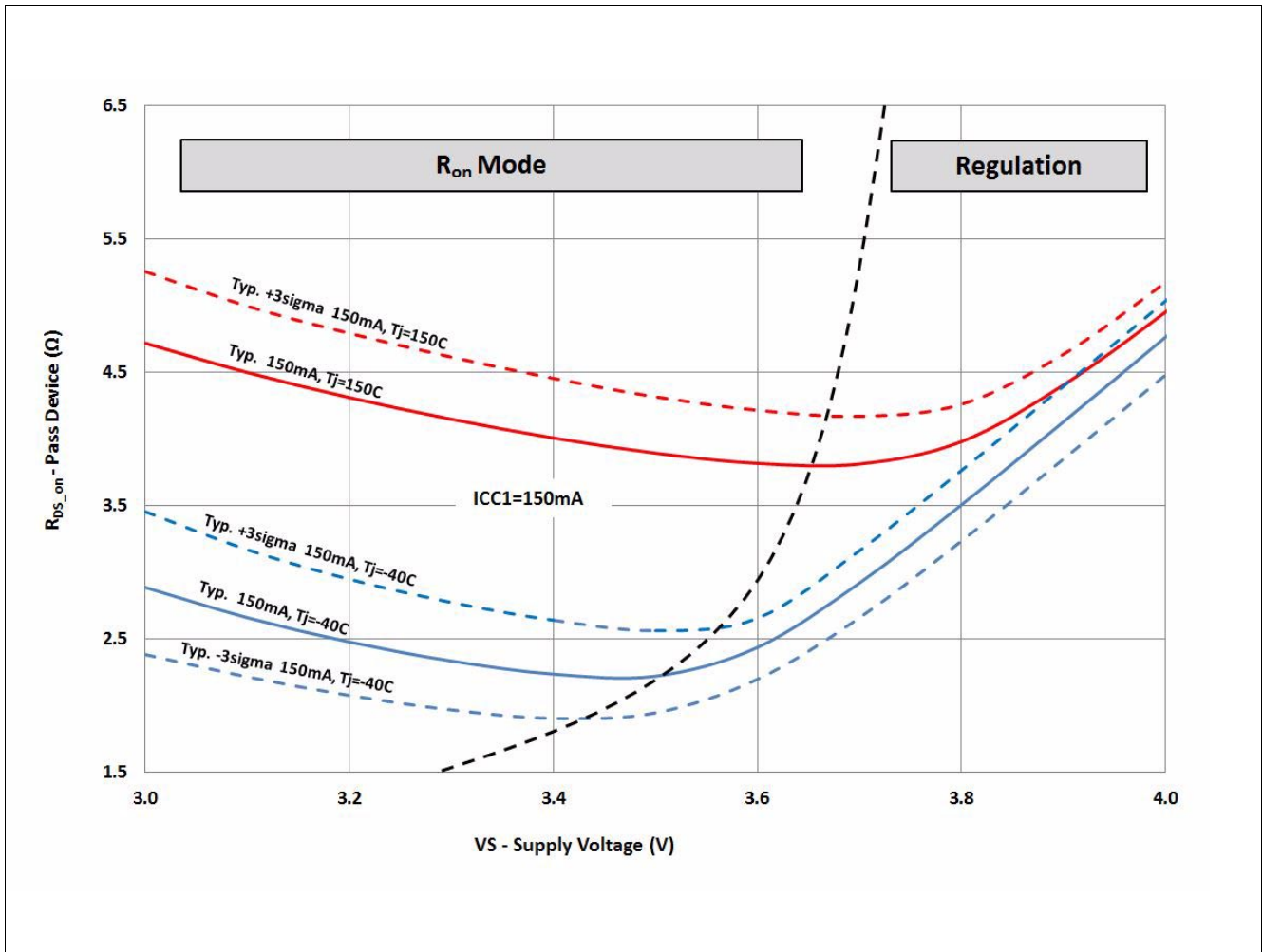


Figure 18 Characterization results of on-resistance range of VCC1 pass device during low drop operation for $I_{CC1} = 150\text{mA}$

Voltage Regulator 2

7 Voltage Regulator 2

7.1 Block Description

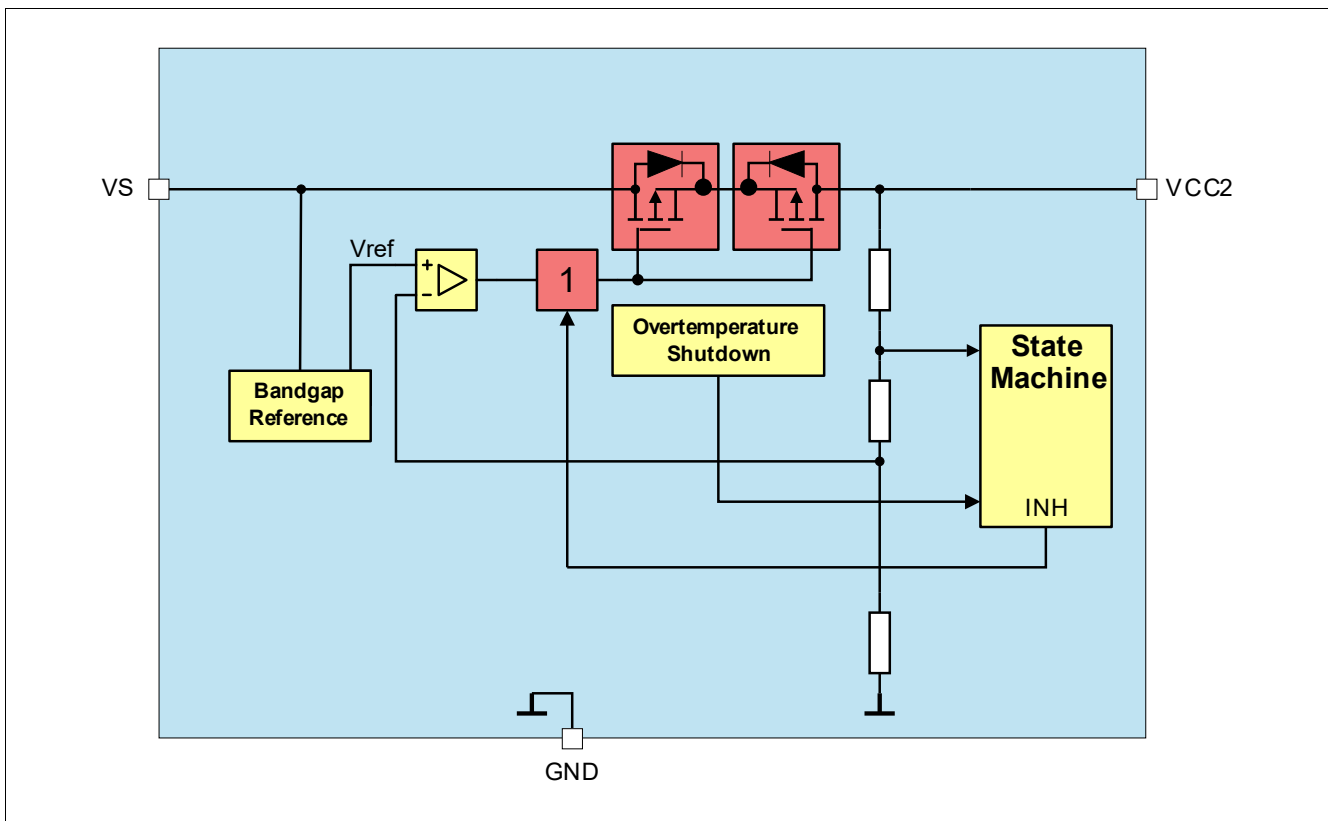


Figure 19 Module Block Diagram

Functional Features

- 5 V low-drop voltage regulator
- Protected against short to battery voltage, e.g. for off-board sensor supply
- Can also be used for CAN supply
- VCC2 undervoltage monitoring. Please refer to [Chapter 15.8](#) for more information
- Can be active in SBC Normal, SBC Stop, and SBC Sleep Mode (not SBC Fail-Safe Mode)
- VCC2 switch off after entering SBC Restart Mode. Switch off is latched, LDO must be enabled via SPI after shutdown.
- Overtemperature protection
- $\geq 470\text{nF}$ ceramic capacitor at output voltage for stability, with $\text{ESR} < 1\Omega @ f = 10\text{ kHz}$, to achieve the voltage regulator control loop stability based on the safe phase margin (bode diagram).
- Output current capability up to $I_{\text{VCC2,lim}}$.

Voltage Regulator 2

7.2 Functional Description

In SBC Normal Mode VCC2 can be switched on or off via SPI.

For SBC Stop- or Sleep Mode, the VCC2 has to be switched on or off before entering the respective SBC mode.

The regulator can provide an output current up to $I_{VCC2,lim}$.

For low-quiescent current reasons, the output voltage tolerance is decreased in SBC Stop Mode because only a low-power mode regulator with a lower accuracy ($V_{CC2,out5}$) will be active for small loads. If the load current on VCC2 exceeds $I_{VCC2} > I_{VCC2,peak,r}$ then the high-power mode regulator will also be enabled to support an optimum dynamic load behavior. The current consumption will then increase by typ. 2.9mA.

If the load current on VCC2 falls below the threshold ($I_{VCC2} < I_{VCC2,peak,f}$), then the low-quiescent current mode is resumed again by disabling the high-power mode regulator.

Both regulators are active in SBC Normal Mode.

Note: If the VCC2 output voltage is supplying external off-board loads, the application must consider the series resonance circuit built by cable inductance and decoupling capacitor at the load. Sufficient damping must be provided.

7.2.1 Short to Battery Protection

The output stage is protected for short to VBAT.

Voltage Regulator 2

7.3 Electrical Characteristics

Table 17 Electrical Characteristics

$V_S = 5.5\text{ V to }28\text{ V}$; $T_j = -40\text{ }^\circ\text{C to }+150\text{ }^\circ\text{C}$; all voltages with respect to ground, positive current flowing into pin (unless otherwise specified)

| Parameter | Symbol | Values | | | Unit | Note or Test Condition | Number |
|---|--------------------|--------|------|-------------------|------|---|----------|
| | | Min. | Typ. | Max. | | | |
| Output Voltage including line and Load regulation (SBC Normal Mode) | $V_{CC2,out1}$ | 4.9 | 5.0 | 5.1 | V | ¹⁾ SBC Normal Mode; $10\mu\text{A} < I_{VCC2} < 100\text{mA}$ $6.5\text{V} < V_S < 28\text{V}$ | P_7.3.1 |
| Output Voltage including line and Load regulation (SBC Normal Mode) | $V_{CC2,out2}$ | 4.9 | 5.0 | 5.1 | V | ¹⁾ SBC Normal Mode; $10\mu\text{A} < I_{VCC2} < 80\text{mA}$ $6\text{V} < V_S < 28\text{V}$ | P_7.3.16 |
| Output Voltage including line and Load regulation (SBC Normal Mode) | $V_{CC2,out3}$ | 4.9 | 5.0 | 5.1 | V | ¹⁾ SBC Normal Mode; $10\mu\text{A} < I_{VCC2} < 40\text{mA}$ | P_7.3.2 |
| Output Voltage including line and Load regulation (SBC Normal Mode) | $V_{CC2,out4}$ | 4.97 | – | 5.07 | V | ²⁾ SBC Normal Mode; $10\mu\text{A} < I_{VCC2} < 5\text{mA}$ $8\text{V} < V_S < 18\text{V}$ $25^\circ\text{C} < T_j < 125^\circ\text{C}$ | P_7.3.14 |
| Output Voltage including line and Load regulation (SBC Stop/Sleep Mode) | $V_{CC2,out5}$ | 4.9 | 5.05 | 5.2 | V | Stop, Sleep Mode; $1\text{mA} < I_{VCC2} < I_{VCC2,lpeak}$ | P_7.3.3 |
| Output Voltage including line and Load regulation (SBC Stop/Sleep Mode) | $V_{CC2,out6}$ | 4.9 | 5.05 | 5.25 | V | Stop, Sleep Mode; $10\mu\text{A} < I_{VCC2} < 1\text{mA}$ | P_7.3.18 |
| Output Drop | $V_{CC2,d1}$ | – | – | 500 | mV | $I_{VCC2} = 30\text{mA}$ $V_S = 5\text{V}$ | P_7.3.4 |
| VCC2 Active Peak Threshold (Transition threshold between low-power and high-power mode regulator) | $I_{VCC2,lpeak,r}$ | – | 1.9 | 3.5 | mA | ²⁾ I_{CC2} rising; $V_S = 13.5\text{V}$ $-40^\circ\text{C} < T_j < 150^\circ\text{C}$ | P_7.3.15 |
| VCC2 Active Peak Threshold (Transition threshold between high-power and low-power mode regulator) | $I_{VCC2,lpeak,f}$ | 0.5 | 1.3 | – | mA | ²⁾ I_{CC2} falling; $V_S = 13.5\text{V}$ $-40^\circ\text{C} < T_j < 150^\circ\text{C}$ | P_7.3.17 |
| Overcurrent limitation | $I_{VCC2,lim}$ | 100 | – | 750 ²⁾ | mA | current flowing out of pin, $V_{CC2} = 0\text{V}$ | P_7.3.5 |

1) In SBC Stop Mode, the specified output voltage tolerance applies when I_{VCC2} has exceeded the selected active peak threshold ($I_{VCC2,lpeak,r}$) but with increased current consumption.

2) Not subject to production test, specified by design.

Voltage Regulator 2

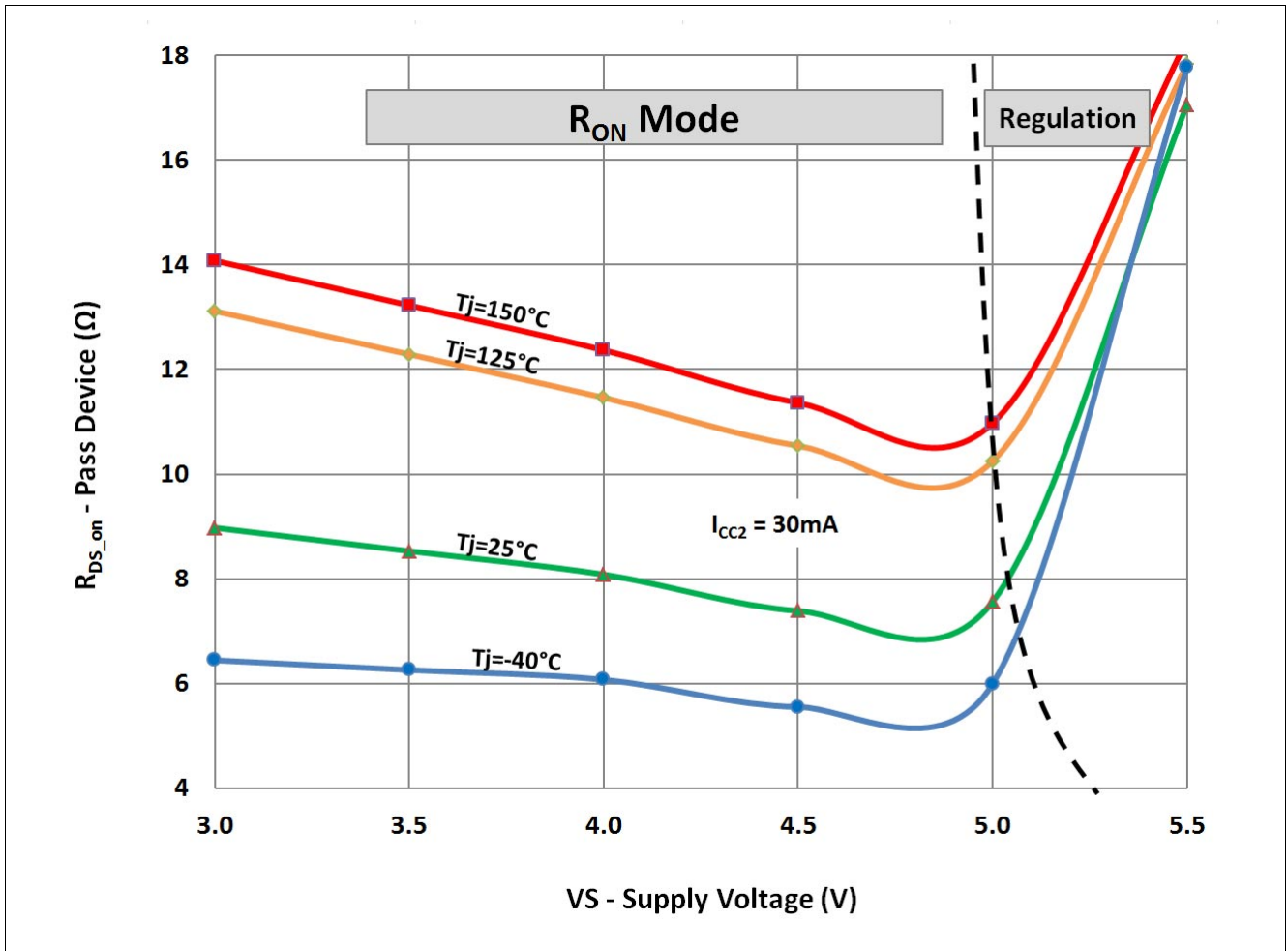


Figure 20 Typical on-resistance of VCC2 pass device during low drop operation for $I_{CC2} = 30\text{mA}$

Voltage Regulator 2

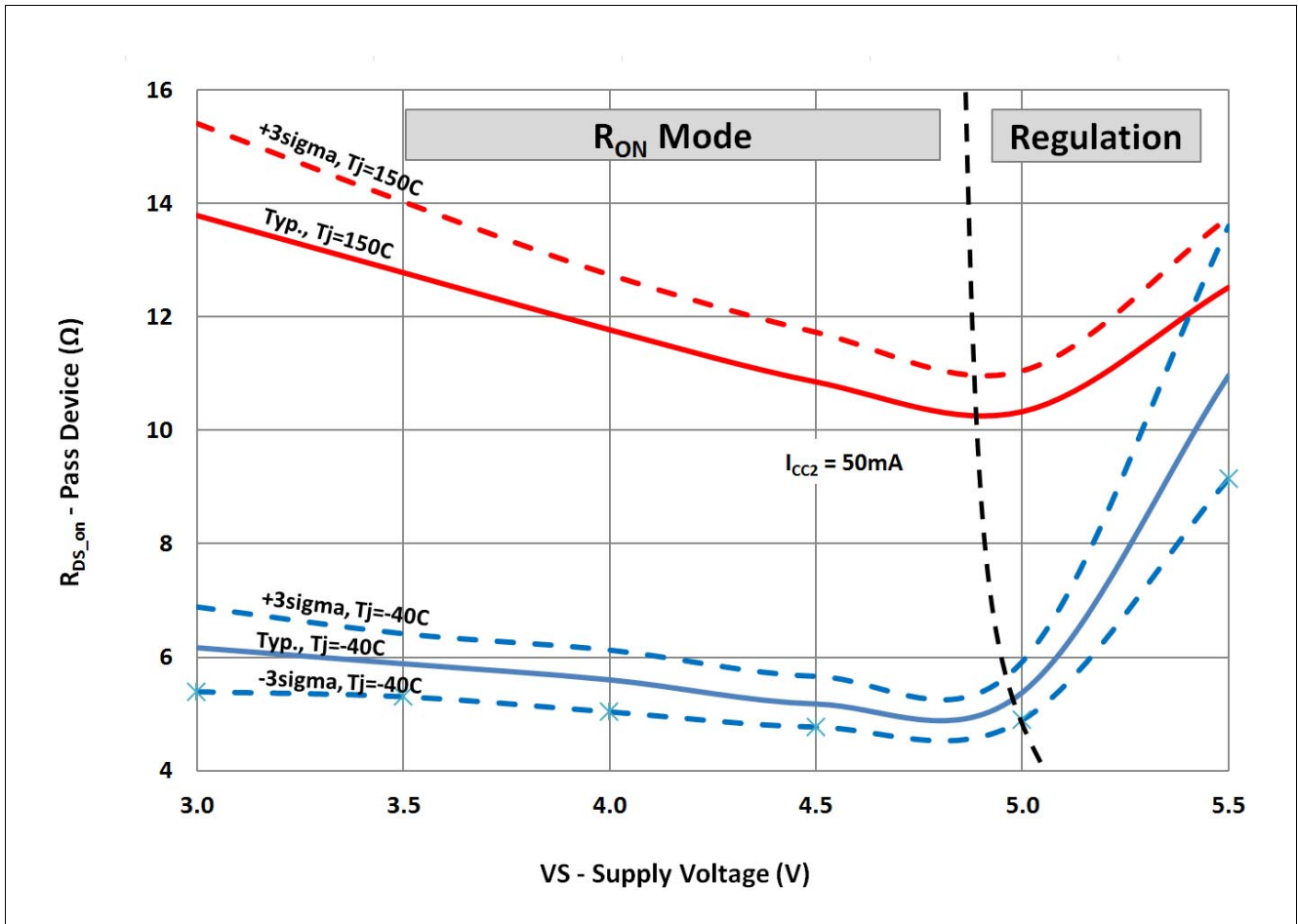


Figure 21 On-resistance range of VCC2 pass device during low drop operation for $I_{CC2} = 50\text{mA}$

External Voltage Regulator 3

8 External Voltage Regulator 3

8.1 Block Description

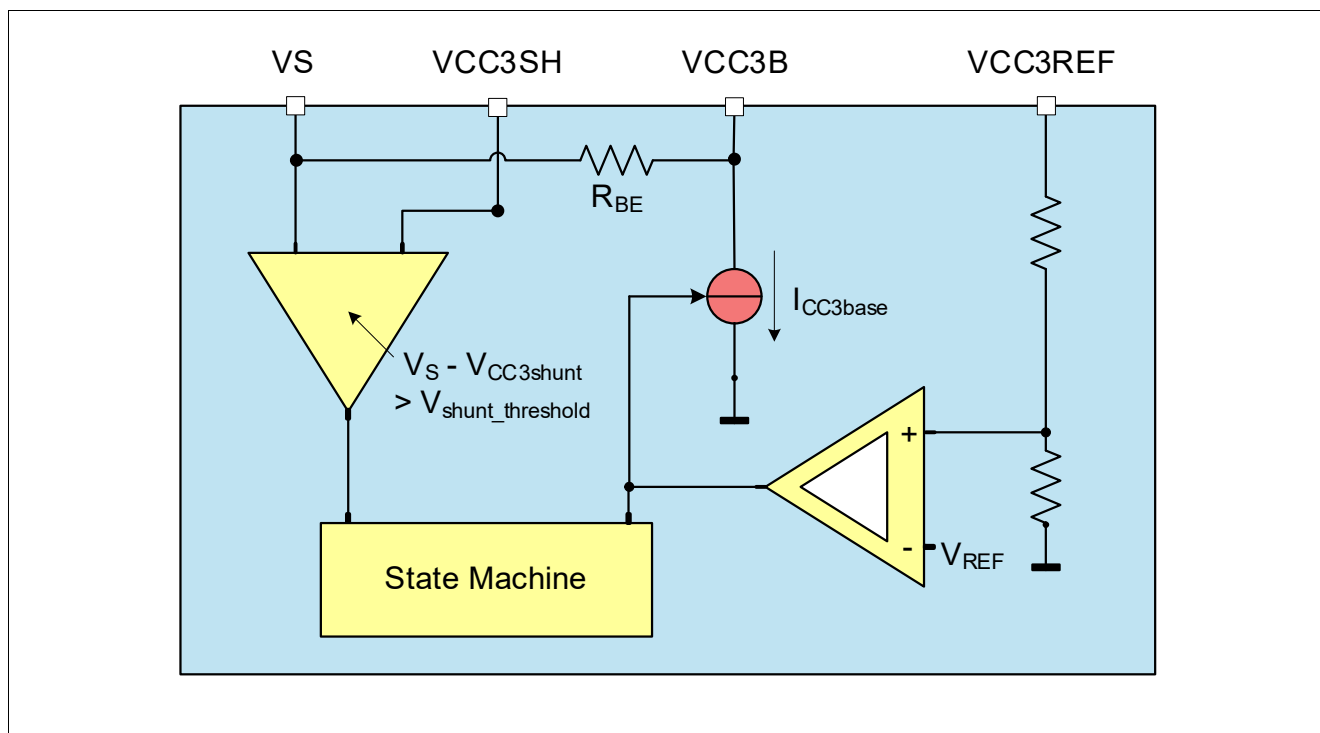


Figure 22 Functional Block Diagram

Functional Features

- Low-drop voltage regulator with external PNP transistor (up to 350mA with 470mΩ shunt resistor)
- Four high-voltage pins are used: VS, VCC3B, VCC3SH, VCC3REF
- Configurable as stand-alone regulator (3.3V or 1.8V output voltage selectable via SPI) or in load-sharing mode with VCC1 (3.3V output voltage)
- $\geq 4.7\mu\text{F}$ ceramic capacitor at output voltage for stability, with ESR $< 150\text{m}\Omega$ @ $f = 10\text{ kHz}$ to achieve the voltage regulator control loop stability based on the safe phase margin (bode diagram).
- Overcurrent limitation with external shunt in stand-alone configuration
- Adjustable load current sharing ratio between VCC1 and VCC3 for load-sharing configuration
- Undervoltage shutdown in stand-alone configuration only

Table 18 ¹⁾External Voltage Regulator Configurations depending on VCC1 output voltage

| VCC1 configuration | VCC3 voltage for VCC3_V_CFG = 0 | VCC3 voltage for VCC3_V_CFG = 1 |
|--------------------|--|--|
| VCC1 = 3.3V | VCC3 = 3.3V | VCC3 = 1.8V |

1) This settings are valid only for the VCC3 stand-alone configuration. The bit **VCC3_V_CFG** is ignored for VCC3 load sharing configuration

External Voltage Regulator 3

8.2 Functional Description

The external voltage regulator can be used as an independent voltage regulator or in load-sharing mode with VCC1. Setting **VCC3_ON** in the **M_S_CTRL** register in SBC Normal Mode sets the stand-alone configuration of VCC3 as an independent voltage regulator. The load sharing configuration is set via the SPI bit **VCC3_LS** in the **HW_CTRL** register.

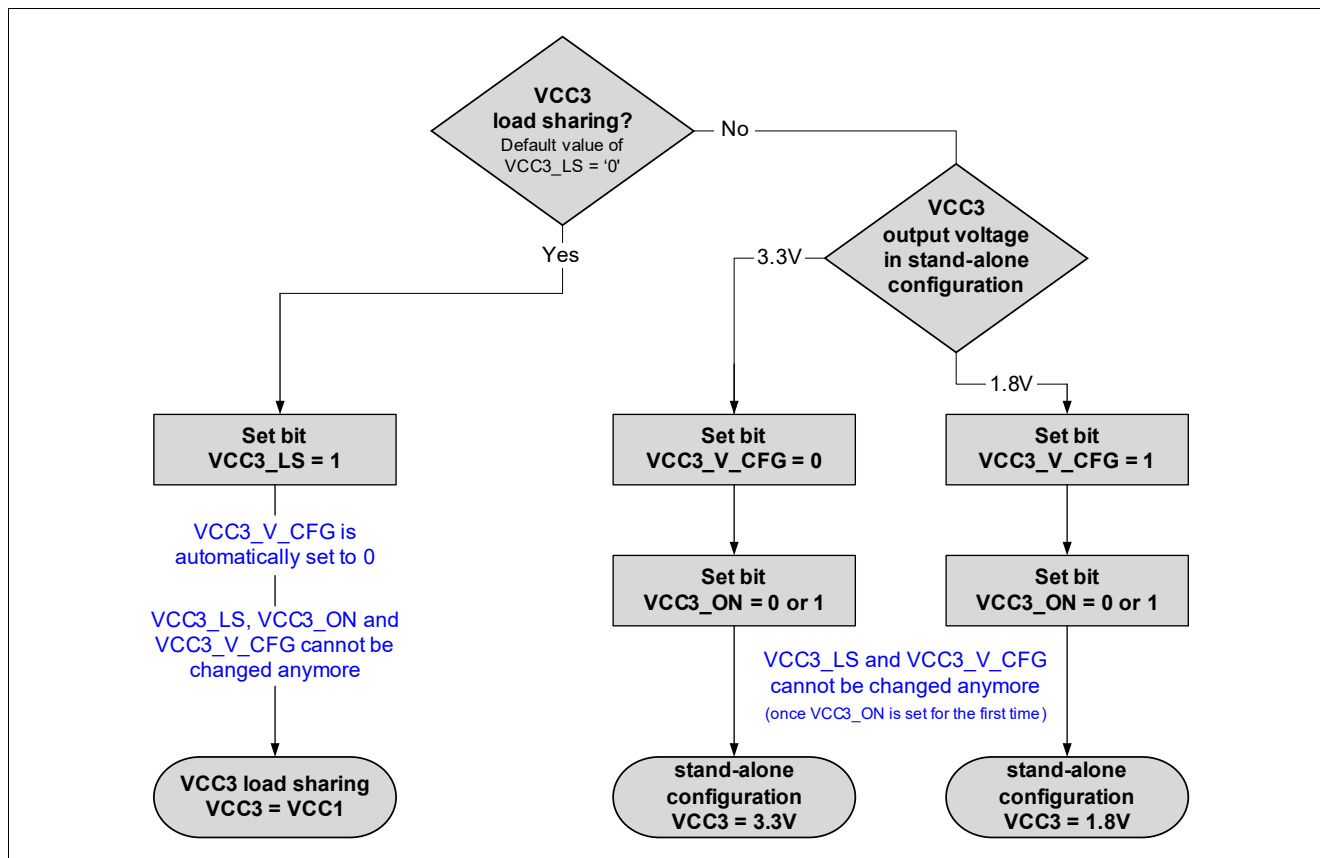


Figure 23 Selecting the Configuration of the VCC3 Regulator

Depending on the configuration the regulator will act in the respective SBC Mode as described in [Table 19](#). After the VCC3 configuration has been selected, it cannot be changed anymore.

In stand-alone configuration the maximum current I_{CC3max} is defined by the current limitation determined by the used shunt. In load sharing configuration, the shunt is used to determine the current ratio between VCC1 and VCC3. Since the junction temperature of the external PNP transistor cannot be sensed by the SBC, it cannot be protected against overtemperature by the SBC. Therefore the thermal behavior has to be analyzed by the application.

For low-quiescent current reasons, the output voltage tolerance is decreased in SBC Stop Mode because a low-power mode regulator with a lower accuracy will be active for small loads. If the base current on VCC3 exceeds $I_{VCC3base} > I_{VCC3base, I_{peak,r}}$ then the high-power mode regulator is enabled additionally to support an optimum dynamic load behavior. If the base current on VCC3 falls below the threshold ($I_{VCC3base} < I_{VCC3base, I_{peak,f}}$), then the low-quiescent current consumption is resumed again by disabling the high-power mode regulator.

Only the high-power mode regulator is active in SBC Normal Mode.

The status of VCC3 is reported in the **SUP_STAT_2** SPI register. The regulator will switch OFF in case of VS dropping below **VS_UV** regardless of the VCC3 configuration and will be automatically enabled again when exceeding this threshold voltage unless the control bit **VCC3_VS_UV_OFF** is set, i.e. in order to keep VCC3 enabled below **VS_UV** the bit **VCC3_VS_UV_OFF** must be set. VCC3 will also stay active in SBC Stop Mode

External Voltage Regulator 3

when the bit **VCC3_LS_STP_ON** is set and when load sharing is configured (for detailed protection features see [Chapter 15.7](#) and [Chapter 16.3](#)).

Table 19 External Voltage Regulator State by SBC Mode

| SBC Mode | Load Sharing Mode ¹⁾ | Independent Voltage Regulator |
|----------------|---------------------------------|-------------------------------|
| INIT Mode | OFF | OFF |
| Normal Mode | Configurable | Configurable |
| Stop Mode | OFF/Fixed ²⁾ | Fixed |
| Sleep Mode | OFF | Fixed |
| Restart Mode | ON or ramping | Fixed |
| Fail-Safe Mode | OFF | OFF |

1) Behaves as VCC1 and has to be configured in SBC Normal Mode

2) Load Sharing operation in SBC Stop Mode is by default disabled for power saving reasons but **VCC3_LS** bit will stay set. However, it can be also configured via the SPI bit **VCC3_LS_STP_ON** to stay enabled in SBC Stop Mode.

Note: The configuration of the VCC3 voltage regulator behavior must be done immediately after power-up of the device and cannot be changed afterwards as long as the device is supplied.

Note: As soon as the bit **VCC3_ON** or **VCC3_LS** is set for the first time, the configuration for VCC3 cannot be changed anymore. This configuration is valid - also after a SBC Soft Reset - as long as the SBC is powered.

Note: If the VCC3 output voltage is supplying external off-board loads, the application must consider the series resonance circuit built by cable inductance and decoupling capacitor at the load. Sufficient damping must be provided (e.g. a 100Ohm resistor between the PNP collector and VCC3REF with 10uF capacitor on collector - see also [Figure 24](#)).

8.2.1 External Voltage Regulator as Independent Voltage Regulator

Configured as an independent voltage regulator the SBC offers with VCC3 a third supply which could be used as off-board supply e.g. for sensors due to the integrated HV pins VCC3B, VCC3SH, VCC3REF.

This configuration is set and locked by enabling **VCC3_ON** while keeping **VCC3_LS** = 0. VCC3 can be switched ON or OFF but the configuration cannot be changed anymore. However, the **SPI_FAIL** is not set while trying to change the configuration.

An overcurrent limitation function is realized with the external shunt (see [Chapter 8.4](#) for calculating the desired shunt value) and the output current shunt voltage threshold ($V_{shunt_threshold}$). If this threshold is reached, then ICC3 is limited and only the current limitation bit **VCC3_OC** is set (no other reaction) and can be cleared via SPI once the overcurrent condition is not present anymore. If the overcurrent limitation feature is not needed, then connect the pins VCC3SH and VS together.

In this configuration VCC3 has the undervoltage signalization enabled and an undervoltage event is signaled with the bit **VCC3_UV** in the **SUP_STAT_2** SPI register.

Note: To avoid undesired current consumption increase of the device it must be ensured that VCC3 is not connected to VCC1 in this configuration.

External Voltage Regulator 3

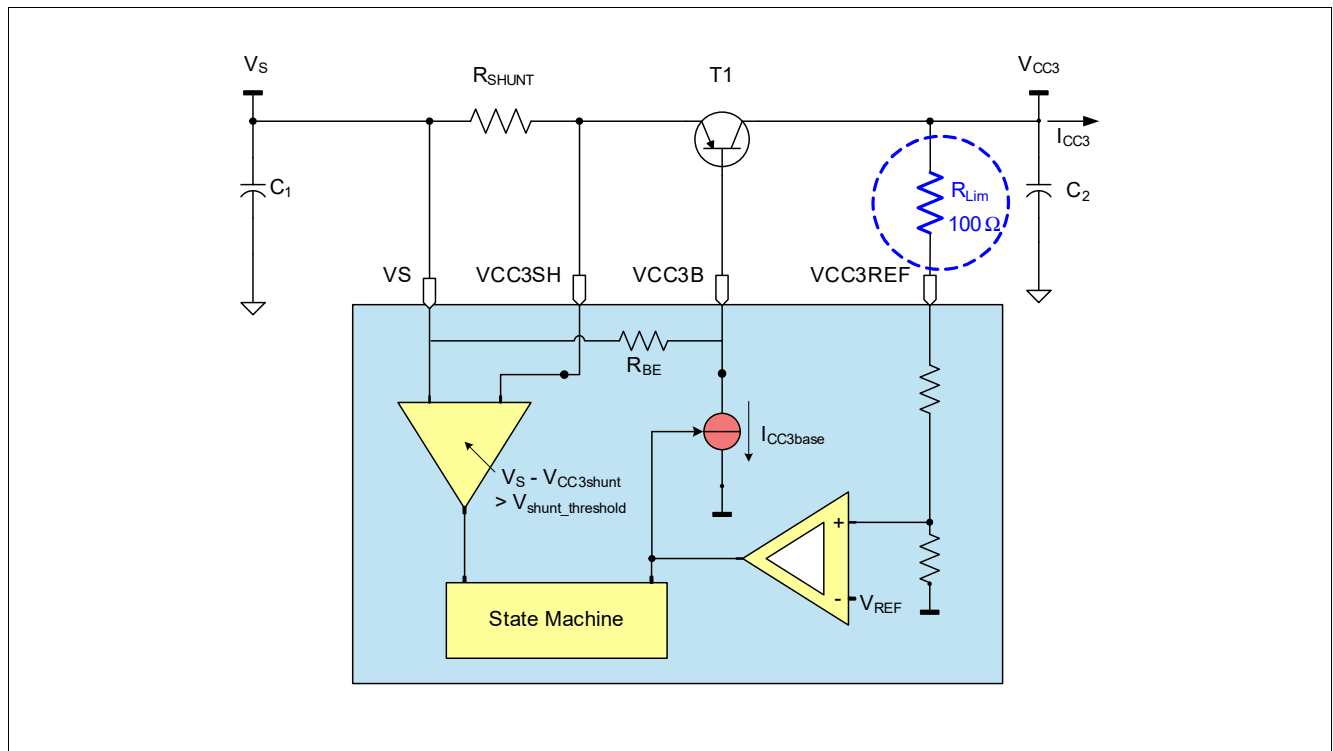


Figure 24 Protecting the VCC3 against inductive short circuits when configured as an independent voltage regulator for off-board supply

8.2.2 External Voltage Regulator in Load Sharing Mode

The purpose of the load sharing mode is to increase the total current capability of VCC1 without increase of the power dissipation within the SBC. The load current is shared between the VCC1 internal regulator and the external PNP transistor of VCC3. **Figure 25** shows the setup for Load Sharing. Load Sharing is active in SBC Normal Mode. It can also be configured via SPI to stay active in SBC Stop Mode.

An input voltage up to $V_{Sx,MAX}$ is regulated to $V_{CC3,nom} = 3.3\text{ V}$ with a precision of $\pm 2\%$ when used in the load sharing configuration in SBC Normal Mode.

This configuration is set and locked by enabling **VCC3_LS** for the first time while **VCC3_ON** has no function, i.e. keep **VCC3_ON** = 0. Trying to change the VCC3 configuration after **VCC3_LS** has been set will result in the **SPI_FAIL** bit being set and keeping the VCC3 configurations unchanged. Load sharing will be automatically disabled (only if **VCC3_LS_STP_ON** = 0) during SBC Stop Mode due to power saving reasons but the bit will remain set to automatically switch back on after returning to SBC Normal Mode. It must be ensured that the same VCC3 output voltage level is selected as for VCC1.

In this configuration VCC3 has no undervoltage signalization. VCC3 shuts down if Fail-Safe Mode is reached, e.g. due to undervoltage shutdown ($V_{S,UV}$ monitoring).

VCC3 has no overcurrent limitation in this configuration and the shunt resistor is defining the load sharing ratio between the VCC1 and VCC3 load currents (see **Equation (8.2)** in **Chapter 8.4**). Thus, no overcurrent condition **VCC3_OC** will be signaled in this configuration.

External Voltage Regulator 3

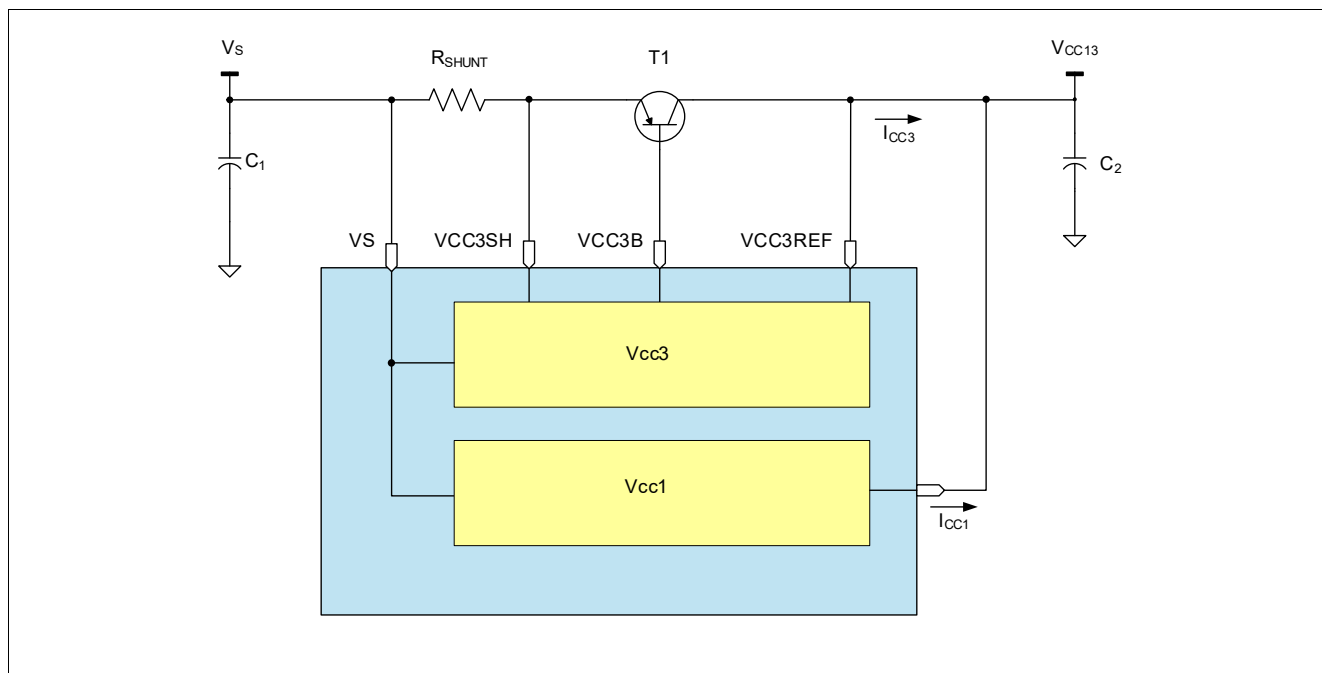


Figure 25 VCC3 in Load Sharing Configuration

8.3 External Components

Characterization is performed with the BCP52-16 from Infineon ($I_{CC3} < 200 \text{ mA}$) and with MJD253. Other PNP transistors can be used. However, the functionality must be checked in the application.

Figure 25 shows one hardware set up used.

Table 20 Bill of Materials for the V_{CC3} Function with and without load sharing configuration

| Device | Vendor | Reference / Value |
|--------|----------|--|
| C2 | Murata | 10 μF /10 V GCM31CR71A106K64L |
| RSHUNT | - | 1 Ω (with / without LS) |
| T1 | Infineon | BCP52-16 |

Note: The SBC is not able to ensure a thermal protection of the external PNP transistor. The power handling capabilities for the application must therefore be chosen according to the selected PNP device, the PCB layout and properties of the application to prevent thermal damage, e.g. via the shunt current limitation in stand alone configuration or by selecting the proper $ICC1/ICC3$ ratio in load-sharing configuration.

Note: To ensure an optimum EMC behavior of the VCC3 regulator when the VCC3 output is leaving the PCB, it is necessary to optimize the PCB layout to have the PNP very close to the SBC. If this is not sufficient or possible, an external capacitance should be placed to the off-board connector (see also Chapter 17.1).

External Voltage Regulator 3

8.4 Calculation of R_{SHUNT}

As a independent regulator, the maximum current I_{CC3max} where the limit starts and the bit $I_{CC3} > I_{CC3max}$ is set is determined by the shunt resistor R_{SHUNT} and the Output Current Shunt Voltage Threshold $V_{shunt_threshold}$.

The resistor can be calculated as following:

$$R_{SHUNT} = \frac{U_{shunt_threshold}}{I_{CC3max}} \quad (8.1)$$

If VCC3 is configured for load sharing, then the shunt resistor determines the load sharing ratio between VCC1 and VCC3. The ratio can be calculated as following:

$$\frac{I_{CC3}}{I_{CC1}} = \frac{110 \Omega / 105 - 15 mV}{R_{SHUNT} \cdot I_{CC1}} \quad (a) \quad (8.2)$$

$$I_{CC3} = \frac{I_{CC1} \cdot 110 \Omega / 105 - 15 mV}{R_{SHUNT}} \quad (b)$$

Example: A shunt resistor with 470mΩ and a load current of 100mA out of VCC1 would result in $I_{CC3} = 191mA$.

8.5 Unused Pins

In case the VCC3 is not used in the application, it is recommended to connect the unused pins of VCC3 as followed:

- Connect VCC3SH to VS or leave open;
- Leave VCC3B open;
- Leave VCC3REF open
- Do not enable the VCC3 via SPI as this leads to increased current consumption

External Voltage Regulator 3

8.6 Electrical Characteristics

$V_S = 5.5\text{ V to }28\text{ V}$; $T_j = -40\text{ }^\circ\text{C to }+150\text{ }^\circ\text{C}$; SBC Normal Mode; all outputs open; all voltages with respect to ground; positive current defined flowing into pin; unless otherwise specified.

Table 21 Electrical Characteristics

| Parameter | Symbol | Values | | | Unit | Note or Test Condition | Number |
|---|-------------------------|--------|------|------|---------------|---|----------|
| | | Min. | Typ. | Max. | | | |
| Parameters independent from Test Set-up | | | | | | | |
| External Regulator Control Drive Current Capability | $I_{VCC3base}$ | 40 | 60 | 80 | mA | $V_{VCC3base} = 13.5\text{ V}$ | P_8.6.1 |
| Input Current V_{CC3ref} | $I_{VCC3ref}$ | 0 | 3 | 10 | μA | $V_{VCC3ref} = 3.3\text{ V}$ | P_8.6.2 |
| Input Current V_{CC3} Shunt Pin | $I_{VCC3shunt}$ | 0 | 3 | 10 | μA | $V_{VCC3shunt} = V_S$ | P_8.6.3 |
| Output Current Shunt Voltage Threshold | $V_{shunt_threshold}$ | 180 | 245 | 310 | mV | ¹⁾ | P_8.6.6 |
| Current increase regulation reaction time | t_{rlinc} | – | – | 5 | μs | ⁴⁾ $V_{CC3} = 3.3\text{ V to }0\text{ V}$; $I_{CC3base} = 20\text{ mA}$ Figure 26 | P_8.6.7 |
| Current decrease regulation reaction time | t_{rldec} | – | – | 5 | μs | ⁴⁾ $V_{CC3} = 0\text{ V to }3.3\text{ V}$; $I_{CC3base} = 20\text{ mA}$ Figure 26 | P_8.6.8 |
| Leakage current of VCC3base when VCC3 disabled | $I_{VCC3base_lk}$ | – | – | 5 | μA | $V_{CC3base} = V_S$; $T_j = 25^\circ\text{C}$ | P_8.6.9 |
| Leakage current of $V_{CC3shunt}$ when VCC3 disabled | $I_{VCC3shunt_lk}$ | – | – | 5 | μA | $V_{CC3shunt} = V_S$; $T_j = 25^\circ\text{C}$ | P_8.6.11 |
| Base to emitter resistor | R_{BE} | 120 | 150 | 185 | k Ω | $V_{CC3} = \text{OFF}$; | P_8.6.12 |
| Active Peak Threshold VCC3 (Transition threshold between low-power and high-power mode regulator) | $I_{VCC3base_lpeak,r}$ | – | 50 | 65 | μA | ⁴⁾ Drive current $I_{VCC3base}$ rising $V_S = 13.5\text{ V}$; $-40^\circ\text{C} < T_j < 150^\circ\text{C}$ | P_8.6.33 |
| Active Peak Threshold VCC3 (Transition threshold between high-power and low-power mode regulator) | $I_{VCC3base_lpeak,f}$ | 15 | 30 | – | μA | ⁴⁾ Drive current $I_{VCC3base}$ falling $V_S = 13.5\text{ V}$; $-40^\circ\text{C} < T_j < 150^\circ\text{C}$ | P_8.6.34 |
| Parameters dependent on the Test Set-up (with external PNP device MJD-253) | | | | | | | |
| External Regulator Output Voltage ($V_{CC3} = 3.3\text{ V}$) | $V_{CC3.out1}$ | 3.23 | 3.3 | 3.37 | V | ²⁾ SBC Normal Mode; load sharing configuration with 470 m Ω shunt resistor; $10\text{ }\mu\text{A} < I_{VCC1} + I_{VCC3} < 300\text{ mA}$; | P_8.6.26 |

External Voltage Regulator 3

Table 21 Electrical Characteristics (cont'd)

| Parameter | Symbol | Values | | | Unit | Note or Test Condition | Number |
|--|----------------------|-------------|-------------|--------------------|------|---|----------|
| | | Min. | Typ. | Max. | | | |
| External Regulator Output Voltage (VCC3 = 3.3V) | $V_{CC3,out4}$ | 3.23 | 3.3V | 3.37 | V | SBC Normal Mode; stand-alone configuration $10\text{ mA} < I_{VCC3} < 300\text{ mA}$; | P_8.6.22 |
| External Regulator Output Voltage (VCC3 = 3.3V) | $V_{CC3,out5}$ | 3.15 | 3.3V | 3.45 ³⁾ | V | SBC Stop-, Sleep Mode; Stand-alone configuration $10\mu\text{A} < I_{VCC3} < I_{VCC3_peak,r}$ ⁵⁾ | P_8.6.23 |
| External Regulator Output Voltage (VCC3 = 1.8V) | $V_{CC3,out6}$ | 1.75 | 1.8 | 1.85 | V | ²⁾ SBC Normal Mode; stand-alone configuration $10\text{ mA} < I_{CC3} < 300\text{ mA}$; | P_8.6.24 |
| External Regulator Output Voltage (VCC3 = 1.8V) | $V_{CC3,out7}$ | 1.70 | 1.8 | 1.90 ³⁾ | V | ²⁾ SBC Stop-, Sleep Mode; Stand-alone configuration $10\mu\text{A} < I_{CC3} < I_{VCC3_peak,r}$ ⁵⁾ ; | P_8.6.25 |
| Load Sharing Ratio ICC1 : ICC3 | $Ratio_{LS_1,VCC3}$ | 1 : 1.35 | 1 : 1.9 | 1 : 2.45 | - | ⁴⁾⁵⁾ $6.0\text{V} < V_S < 28\text{V}$; SBC Normal Mode; LS ratio for a 470 mΩ shunt resistor and total load current of 300mA | P_8.6.16 |
| Load Sharing Ratio ICC1 : ICC3 | $Ratio_{LS_2,VCC3}$ | 1 : 0.67 | 1 : 0.95 | 1 : 1.23 | - | ⁴⁾⁵⁾ $6.0\text{V} < V_S < 28\text{V}$; SBC Normal Mode; LS ratio for a 1 Ω shunt resistor and total load current of 300mA | P_8.6.20 |
| Load Sharing Ratio ICC1 : ICC3 | $Ratio_{LS_3,VCC3}$ | 1 : 1.50 | 1 : 1.95 | 1 : 2.40 | - | ⁴⁾⁵⁾ $T_j = 150^\circ\text{C}$; $8.0\text{V} < V_S < 18\text{V}$; SBC Normal Mode; LS ratio for a 470 mΩ shunt resistor and total load current of 300mA | P_8.6.27 |
| Load Sharing Ratio ICC1 : ICC3 | $Ratio_{LS_4,VCC3}$ | 1 : 0.75 | 1 : 0.98 | 1 : 1.21 | - | ⁴⁾⁵⁾ $T_j = 150^\circ\text{C}$; $8.0\text{V} < V_S < 18\text{V}$; SBC Normal Mode; LS ratio for a 1 Ω shunt resistor and total load current of 300mA | P_8.6.28 |

1) Threshold at which the current limitation starts to operate. This threshold is only active when VCC3 is configured for stand-alone configuration.

2) Tolerance includes load regulation and line regulation.

External Voltage Regulator 3

- 3) At $T_j > 125^\circ\text{C}$, the power transistor leakage could be increased, which has to be added to the quiescent current of the application independently if the regulator is turned on/off. To prevent an overvoltage condition at no load due to this increased leakage, an internal clamping structure will automatically turn on at typ. 200mV above the upper limit of the programmed output voltage.
- 4) Not subject to production test, specified by design.
- 5)a) Ratio will change depending on the chosen shunt resistor which value is correlating to the maximum power dissipation of the PNP pass device. See [Chapter 8.4](#) for the ratio calculation. The ratio will also change at low-drop operation.
- For supply voltages of $5.5\text{V} < V_S < 6\text{V}$ the accuracy applies only for a total load current of 250mA.
The load sharing ratio in SBC Stop Mode has +/-10% wider limits than specified.

- b) The output voltage precision in load sharing in SBC Stop Mode is according to $V_{CC1} \pm 4\%$ or better for loads up to 20mA and $\pm 2\%$ with loads greater than 20mA.
In SBC Normal the $\pm 2\%$ precision for 5V/3.3V tolerance is valid regardless of the applied load.

Note: There is no thermal protection available for the external PNP transistor. Therefore, the application must be designed to avoid overheating of the PNP via the shunt current limitation in stand alone configuration and by selecting the proper $ICC1/ICC3$ ratio in load-sharing configuration.

Note: In SBC Stop Mode, the same output voltage tolerance applies as in SBC Normal Mode when $I_{V_{CC3}}$ has exceeded the selected active peak threshold ($I_{V_{CC3}base,peak}$) but with increased current consumption.

External Voltage Regulator 3

Timing diagram for regulator reaction time “current increase regulation reaction time” and “current decrease regulation reaction time”

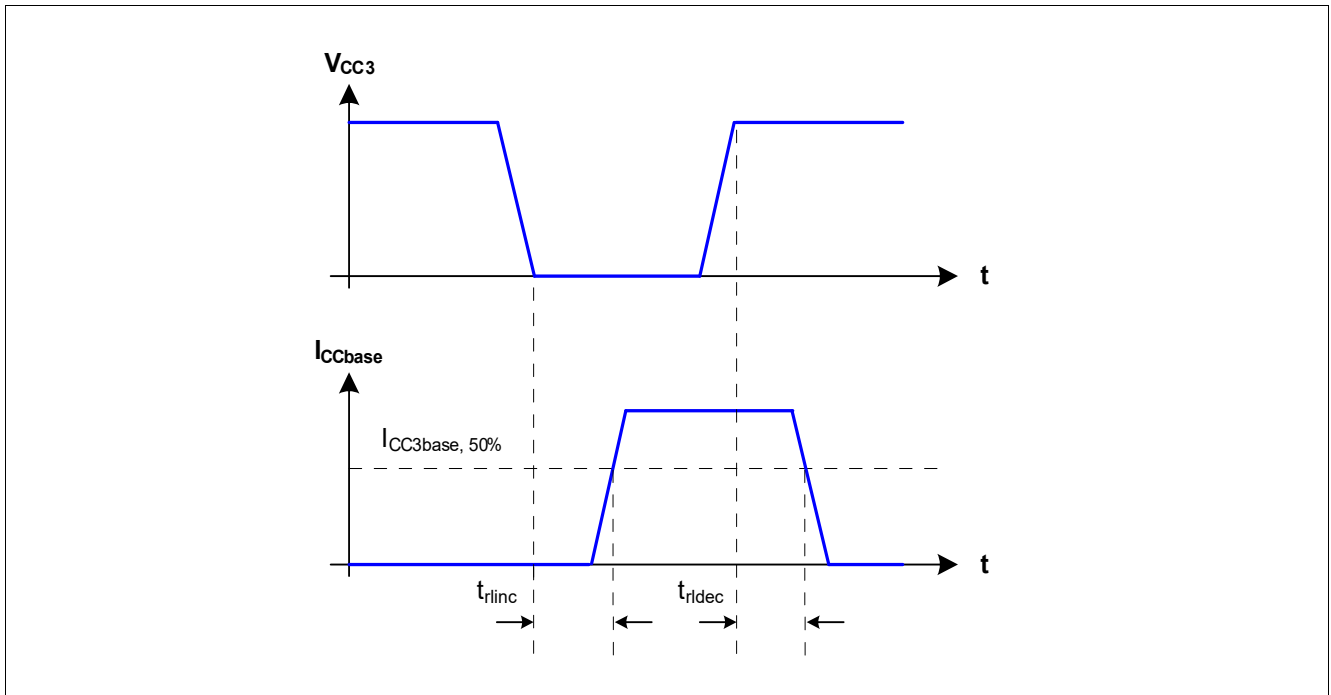


Figure 26 Regulator Reaction Time

External Voltage Regulator 3

Typical Load Sharing Characteristics using the BCP52-16 PNP transistor and a 1 Ω shunt resistor

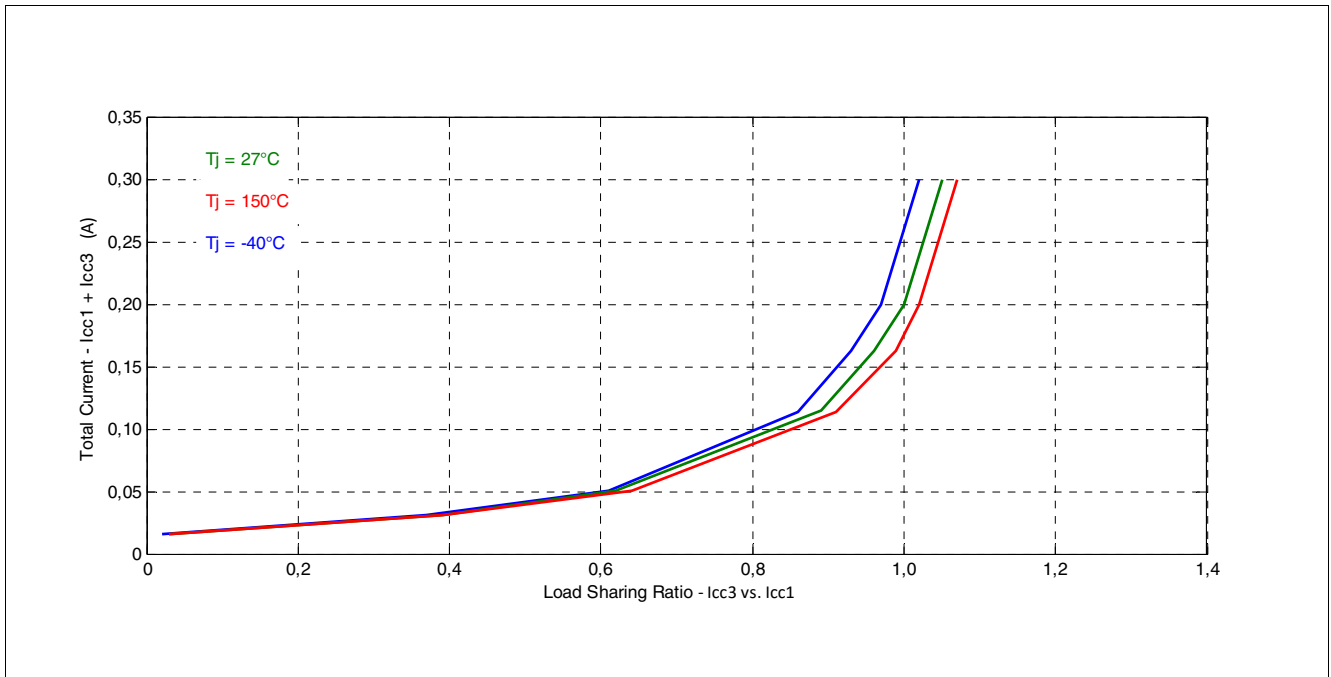


Figure 27 Load Sharing Ratio ICC1 : ICC3 vs. the total load current

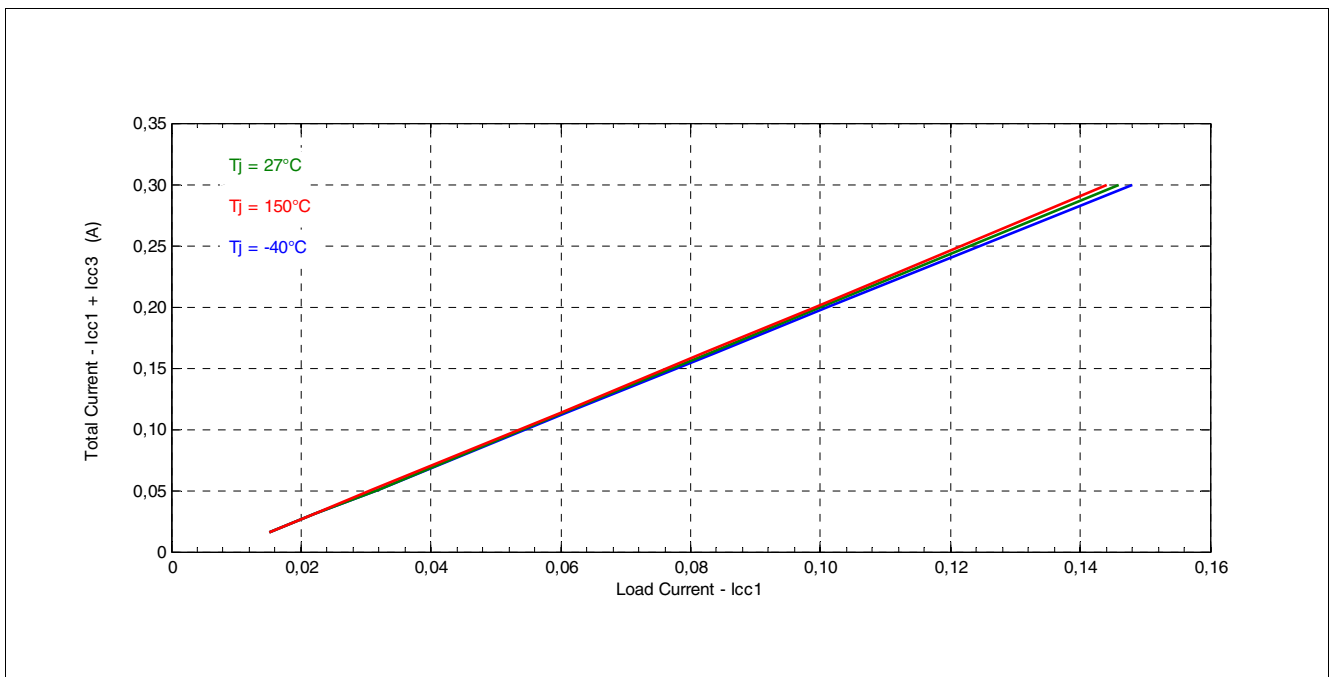


Figure 28 Load Sharing Behavior of ICC1 vs. the total load current

High-Side Switch

9 High-Side Switch

9.1 Block Description

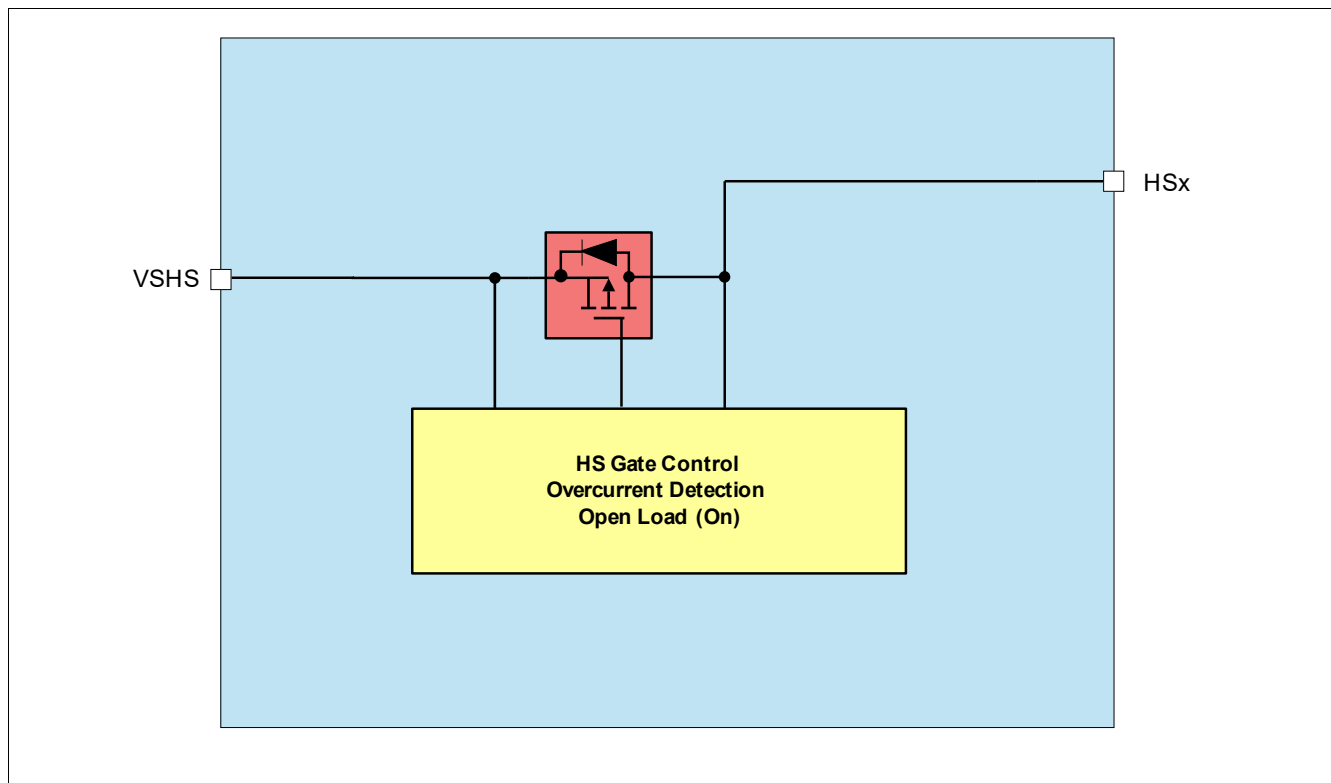


Figure 29 High-Side Module Block Diagram

Features

- Dedicated supply pin VSHS for high-side outputs
- Overvoltage and undervoltage switch off - configurable via SPI
- Overcurrent detection and switch off
- Open load detection in ON-state
- PWM capability with internal timer configurable via SPI
- Switch recovery after removal of OV or UV condition configurable via SPI

9.2 Functional Description

The High-Side switches can be used for control of LEDs, as supply for the wake inputs and for other loads. The High-Side outputs can be controlled either directly via SPI by ([HS_CTRL1](#), [HS_CTRL2](#)), by the integrated timers or by the integrated PWM generators.

The high-side outputs are supplied by a dedicated supply pin VSHS (different to VS). The topology supports improved cranking condition behavior.

The configuration of the High-Side (Permanent On, PWM, cyclic sense, etc.) drivers must be done in SBC Normal Mode. The configuration is taken over in SBC Stop- or SBC Sleep Mode and cannot be modified. When entering SBC Restart Mode or SBC Fail-Safe Mode the HSx outputs are disabled.

High-Side Switch

9.2.1 Over- and Undervoltage Switch Off

All HS drivers in on-state are switched off in case of overvoltage on VSHS ($V_{SHS,OVD}$). If the voltage drops below the overvoltage threshold the HS drivers are activated again. The feature can be disabled by setting the SPI bit **HS_OV_SD_EN**.

The HS drivers are switched off in case of undervoltage on VSHS ($V_{SHS,UVD}$). If the voltage rises above the undervoltage threshold the HS drivers are activated again. The feature can be disabled by setting the SPI bit **HS_UV_SD_EN**.

So after release of undervoltage or overvoltage condition the HS switch goes back to programmed state in which it was configured via SPI. This behavior is only valid if the bit **HS_OV_UV_REC** is set to '1'. Otherwise the switches will stay off and the respective SPI control bits are cleared.

The overvoltage and undervoltage is signaled in the bits **VSHS_OV** and **VSHS_UV**, no other error bits are set.

9.2.2 Overcurrent Detection and Switch Off

If the load current exceeds the overcurrent shutdown threshold for a time longer than the overcurrent shutdown filter time the output is switched off.

The overcurrent condition and the switch off is signaled with the respective HSx_OC_OT bit in the register **HS_OC_OT_STAT**. The HSx configuration is then reset to 000 by the SBC. To activate the High-Side again the HSx configuration has to be set to ON (001) or be programmed to a timer function. It is recommended to clear the overcurrent bit before activation the High-Side switch, as the bits are not cleared automatically by the SBC.

9.2.3 Open Load Detection

Open load detection on the High-Side outputs is done during on state of the output. If the current in the activated output falls below then Open Load Detection current, the open load is detected and signaled via the respective bit HS1_OL, HS2_OL, HS3_OL, or HS4_OL in the register **HS_OL_STAT**. The High-Side output stays activated. If the open load condition disappears the Open Load bit in the SPI can be cleared. The bits are not cleared automatically by the SBC.

9.2.4 HSx Operation in Different SBC Modes

- During SBC Stop and SBC Sleep Mode the HSx outputs can be used for the cyclic sense feature. The open-load detection, overcurrent shut down as well as overvoltage and undervoltage shutdown are available. The overcurrent shutdown protection feature may influence the wake-up behavior¹⁾.
- the HSx output can also be enabled for SBC Stop and SBC Sleep Mode as well as controlled by the PWMx generator. The HSx outputs must be configured in SBC Normal Mode before entering a low-power mode.
- The HSx outputs are switched off during SBC Restart or SBC Fail-Safe Mode. They can be enabled via SPI if the failure condition is removed.

1) For the wake feature, the forced overcurrent shut down case must be considered in the user software for all SBC Modes, i.e. due to disabled HSx switches a level change might not be detected anymore at WKx pins.

High-Side Switch

9.2.5 PWM and Timer Function

Two 8-bit PWM generators are dedicated to generate a PWM signal on the HS outputs, e.g. for brightness adjustment or compensation of supply voltage fluctuation. The PWM generators are mapped to the dedicated HS outputs, and the duty cycle can be independently configured with a 8bit resolution via SPI (**PWM1_CTRL**, **PWM2_CTRL**). Two different frequencies (200Hz, 400Hz) can be selected independently for every PWM generator in the register **PWM_FREQ_CTRL**.

PWM Assignment and Configuration:

- Configure duty cycle and frequency for respective PWM generator in **PWM1_CTRL/PWM2_CTRL** and **PWM_FREQ_CTRL**
- Assign PWM generator to respective HS switch(es) in **HSx_CTRL**
- The PWM generation will start right after the HSx is assigned to the PWM generator (**HS_CTRL1**, **HS_CTRL2**)

Assignment options of HS1... HS4

- Timer 1
- Timer 2
- PWM 1
- PWM 2

Minimum On-time during PWM Operation

The min. on-time during PWM is limited by the actual on- and off-time of the respective HS switch, e.g. the PWM setting '0000 0001' could not be realized.

Reliable Open-Load Detection during PWM Operation

The minimum PWM setting for a reliable open-load detection is 3digits for a period of 400Hz and >2 digits for the frequency setting of 200Hz, i.e. the high-side on-time must be longer than $t_{OL,HS}$.

Reliable Overcurrent Detection during PWM Operation

The minimum PWM setting for a reliable overcurrent detection is >1 digit for a period of 400Hz and 1 digit for the frequency setting of 200Hz, i.e. the high-side on-time must be longer than $t_{SD,HS}$.

High-Side Switch

9.3 Electrical Characteristics

Table 22 Electrical Characteristics

$V_S = 5.5\text{ V to }28\text{ V}$; $T_j = -40\text{ }^\circ\text{C to }+150\text{ }^\circ\text{C}$; all voltages with respect to ground, positive current flowing into pin (unless otherwise specified)

| Parameter | Symbol | Values | | | Unit | Note or Test Condition | Number |
|---|-----------------|--------|------|------|------------------------|--|----------|
| | | Min. | Typ. | Max. | | | |
| Output HS1, HS2, HS3, HS4 | | | | | | | |
| Static Drain-Source ON Resistance HS1...HS4 | $R_{ON,HS25}$ | – | 7 | 10 | Ω | $I_{ds} = 60\text{mA}$, $T_j < 25^\circ\text{C}$ | P_9.3.1 |
| Static Drain-Source ON Resistance HS1...HS4 | $R_{ON,HS150}$ | – | 11.5 | 16 | Ω | $I_{ds} = 60\text{mA}$, $T_j < 150^\circ\text{C}$ | P_9.3.2 |
| Leakage Current HSx / per channel | $I_{leak,HS}$ | – | – | 2 | μA | ¹⁾ $0\text{ V} < V_{HSx} < V_{SHS}$; $T_j < 85^\circ\text{C}$ | P_9.3.11 |
| Output Slew Rate (rising) | $SR_{raise,HS}$ | 0.8 | – | 2.5 | $\text{V}/\mu\text{s}$ | ¹⁾ 20 to 80% $V_{SHS} = 6\text{ to }18\text{V}$ $R_L = 220\Omega$ | P_9.3.3 |
| Output Slew Rate (falling) | $SR_{fall,HS}$ | -2.5 | – | -0.8 | $\text{V}/\mu\text{s}$ | ¹⁾ 80 to 20% $V_{SHS} = 6\text{ to }18\text{V}$ $R_L = 220\Omega$ | P_9.3.4 |
| Switch-on time HSx | $t_{ON,HS}$ | 3 | – | 30 | μs | CSN = HIGH to $0.8 \cdot V_{SHS}$; $R_L = 220\Omega$; $V_{SHS} = 6\text{ to }18\text{V}$ | P_9.3.5 |
| Switch-off time HSx | $t_{OFF,HS}$ | 3 | – | 30 | μs | CSN = HIGH to $0.2 \cdot V_{SHS}$; $R_L = 220\Omega$; $V_{SHS} = 6\text{ to }18\text{V}$ | P_9.3.6 |
| Short Circuit Shutdown Current | $I_{SD,HS}$ | 150 | 245 | 300 | mA | $V_{SHS} = 6\text{ to }20\text{V}$, hysteresis included | P_9.3.7 |
| Short Circuit Shutdown Filter Time | $t_{SD,HS}$ | 12 | 16 | 20 | μs | ^{2), 3)} | P_9.3.8 |
| Open Load Detection Current | $I_{OL,HS}$ | 0.4 | – | 3 | mA | hysteresis included | P_9.3.9 |
| Open Load Detection hysteresis | $I_{OL,HS,hys}$ | 0.05 | 0.45 | 1.0 | mA | ¹⁾ | P_9.3.14 |
| Open Load Detection Filter Time | $t_{OL,HS}$ | 50 | 64 | 80 | μs | ^{2), 3)} | P_9.3.10 |

1) Not subject to production test, specified by design.

2) Not subject to production test, tolerance defined by internal oscillator tolerance.

3) Configure proper minimum PWM settings for reliable detection of overcurrent and open load measurement (see also [Chapter 9.2.5](#)).

10 High Speed CAN Transceiver

10.1 Block Description

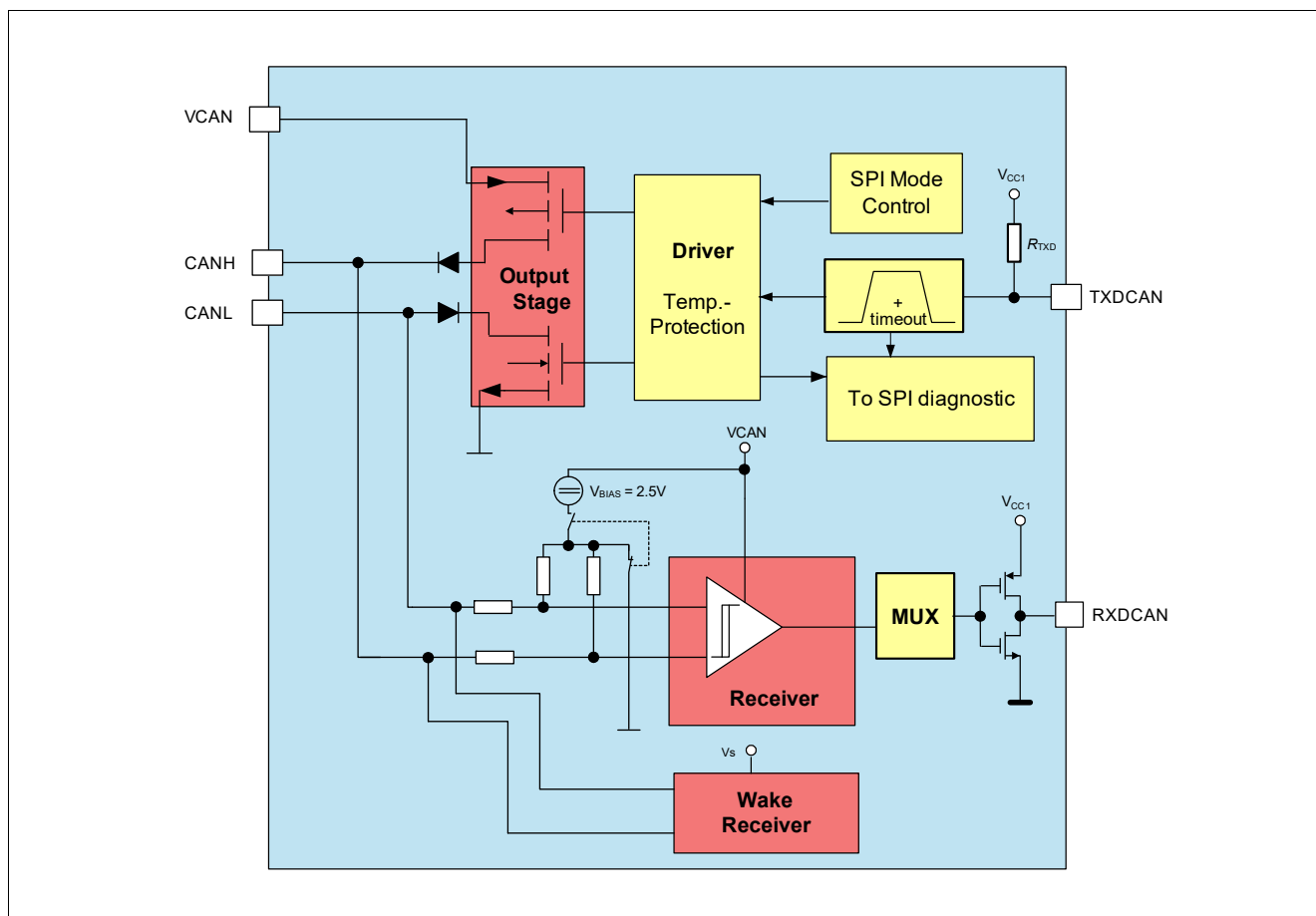


Figure 30 Functional Block Diagram

10.2 Functional Description

The Controller Area Network (CAN) transceiver part of the SBC provides high-speed (HS) differential mode data transmission (up to 2 Mbaud) and reception in automotive and industrial applications. It works as an interface between the CAN protocol controller and the physical bus lines compatible to ISO 11898-2:2016 and SAE J2284.

The CAN transceiver offers low power modes to reduce current consumption. This supports networks with partially powered down nodes. To support software diagnostic functions, a CAN Receive-only Mode is implemented.

It is designed to provide excellent passive behavior when the transceiver is switched off (mixed networks, clamp15/30 applications).

A wake-up from the CAN wake capable mode is possible via a message on the bus. Thus, the microcontroller can be powered down or idled and will be woken up by the CAN bus activities.

The CAN transceiver is designed to withstand the severe conditions of automotive applications and to support 12 V applications.

High Speed CAN Transceiver

The different transceiver modes can be controlled via the SPI CAN bits.

Figure 31 shows the possible transceiver mode transitions when changing the SBC mode.

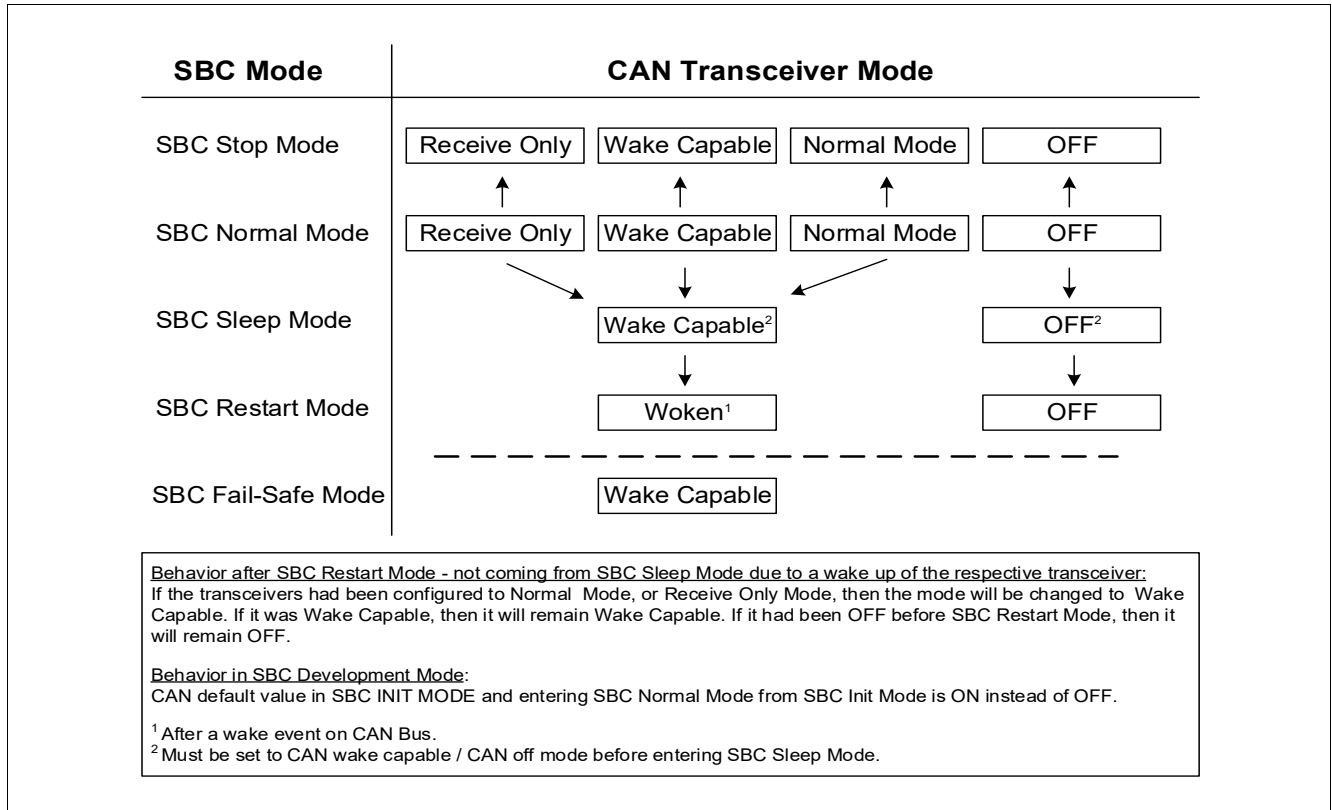


Figure 31 CAN Mode Control Diagram

CAN FD Support

CAN FD stands for ‘CAN with Flexible Data Rate’. It is based on the well established CAN protocol as specified in ISO 11898-1. CAN FD still uses the CAN bus arbitration method. The benefit is that the bit rate can be increased by switching to a shorter bit time at the end of the arbitration process and then to return to the longer bit time at the CRC delimiter, before the receivers transmit their acknowledged bits. See also Figure 32. In addition, the effective data rate is increased by allowing longer data fields. CAN FD allows the transmission of up to 64 data bytes compared to the 8 data bytes from the standard CAN.

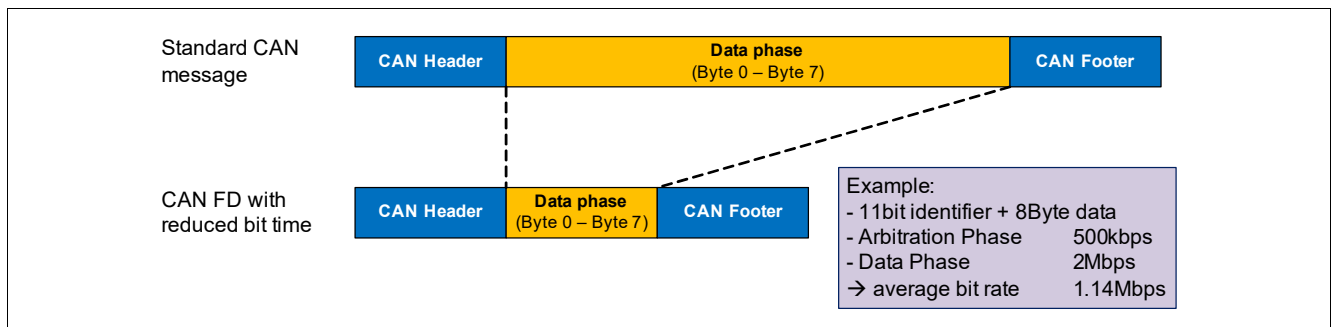


Figure 32 Bite Rate Increase with CAN FD vs. Standard CAN

Not only the physical layer must support CAN FD but also the CAN controller. In case the CAN controller is not able to support CAN FD then the respective CAN node must at least tolerate CAN FD communication. This CAN FD tolerant mode is realized in the physical layer in combination with CAN Partial Networking. The TLE926x-

High Speed CAN Transceiver

3QX variants of this family also support the CAN FD tolerant mode. See also [Chapter 5.4.7](#) for more detailed information on how to enable the CAN FD tolerant mode.

10.2.1 CAN OFF Mode

The CAN OFF Mode is the default mode after power-up of the SBC. It is available in all SBC Modes and is intended to completely stop CAN activities or when CAN communication is not needed. The CANH/L bus interface acts as a high impedance input with a very small leakage current. In CAN OFF Mode, a wake-up event on the bus will be ignored.

10.2.2 CAN Normal Mode

The CAN Transceiver is enabled via SPI in SBC Normal Mode. CAN Normal Mode is designed for normal data transmission/reception within the HS-CAN network. The Mode is available in SBC Normal Mode and in SBC Stop Mode. The bus biasing is set to $V_{CAN}/2$.

Transmission

The signal from the microcontroller is applied to the TXDCAN input of the SBC. The bus driver switches the CANH/L output stages to transfer this input signal to the CAN bus lines.

Enabling sequence

The CAN transceiver requires an enabling time $t_{CAN,EN}$ before a message can be sent on the bus. This means that the TXDCAN signal can only be pulled LOW after the enabling time. If this is not ensured, then the TXDCAN needs to be set back to HIGH (=recessive) until the enabling time is completed.

Only the next dominant bit will be transmitted on the bus.

Figure 33 shows different scenarios and explanations for CAN enabling.

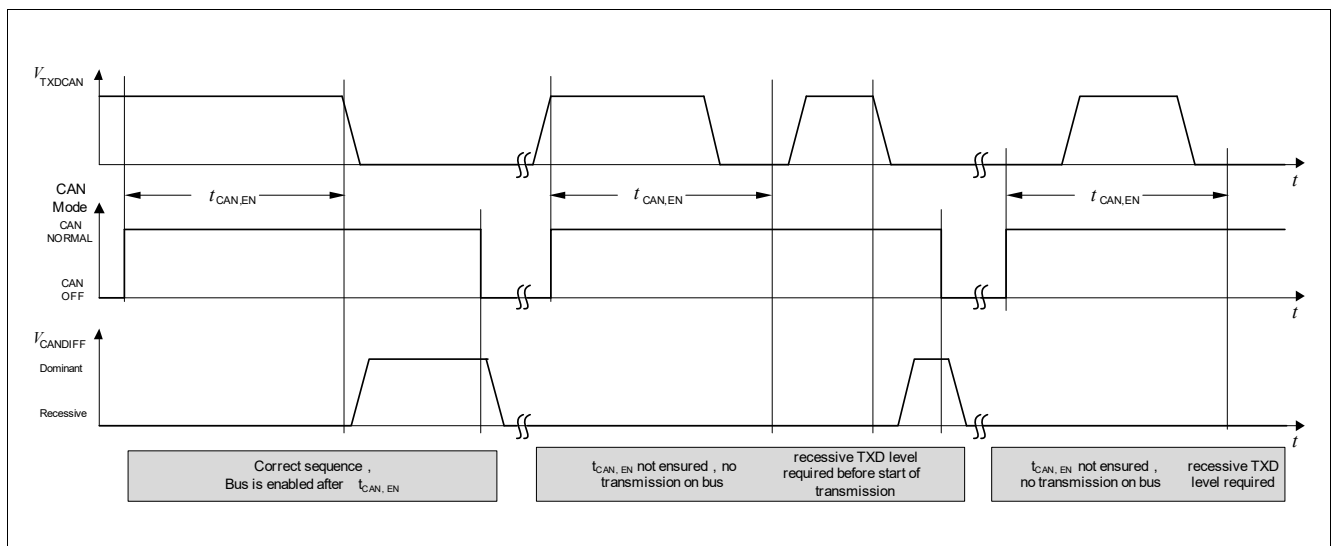


Figure 33 CAN Transceiver Enabling Sequence

Reduced Electromagnetic Emission

To reduce electromagnetic emissions (EME), the bus driver controls CANH/L slopes symmetrically.

Reception

Analog CAN bus signals are converted into digital signals at RXD via the differential input receiver.

High Speed CAN Transceiver

10.2.3 CAN Receive Only Mode

In CAN Receive Only Mode (RXD only), the driver stage is de-activated but reception is still operational. This mode is accessible by an SPI command in Normal Mode and in Stop Mode. The bus biasing is set to VCAN/2.

10.2.4 CAN Wake Capable Mode

This mode can be used in SBC Stop, Sleep, Restart and Normal Mode and it is used to monitor bus activities. It is automatically accessed in SBC Fail-Safe Mode. Both bus pins CANH/L are connected to GND via the input resistors.

A wake-up signal on the bus results in a change of behavior of the SBC, as described in [Table 23](#). The pins CANH/L are terminated to typ. 2.5V through the input resistors. As a wake-up signalization to the microcontroller, the RXD_CAN pin is set LOW and will stay LOW until the CAN transceiver is changed to any other mode. After a wake-up event, the transceiver can be switched to CAN Normal Mode for communication via SPI.

As shown in [Figure 34](#), a wake-up pattern (WUP) is signaled on the bus by two consecutive dominant bus levels for at least t_{Wake1} (filter time $t > t_{Wake1}$) and shorter than t_{Wake2} , each separated by a recessive bus level of greater than t_{Wake1} and shorter than t_{Wake2} .

High Speed CAN Transceiver

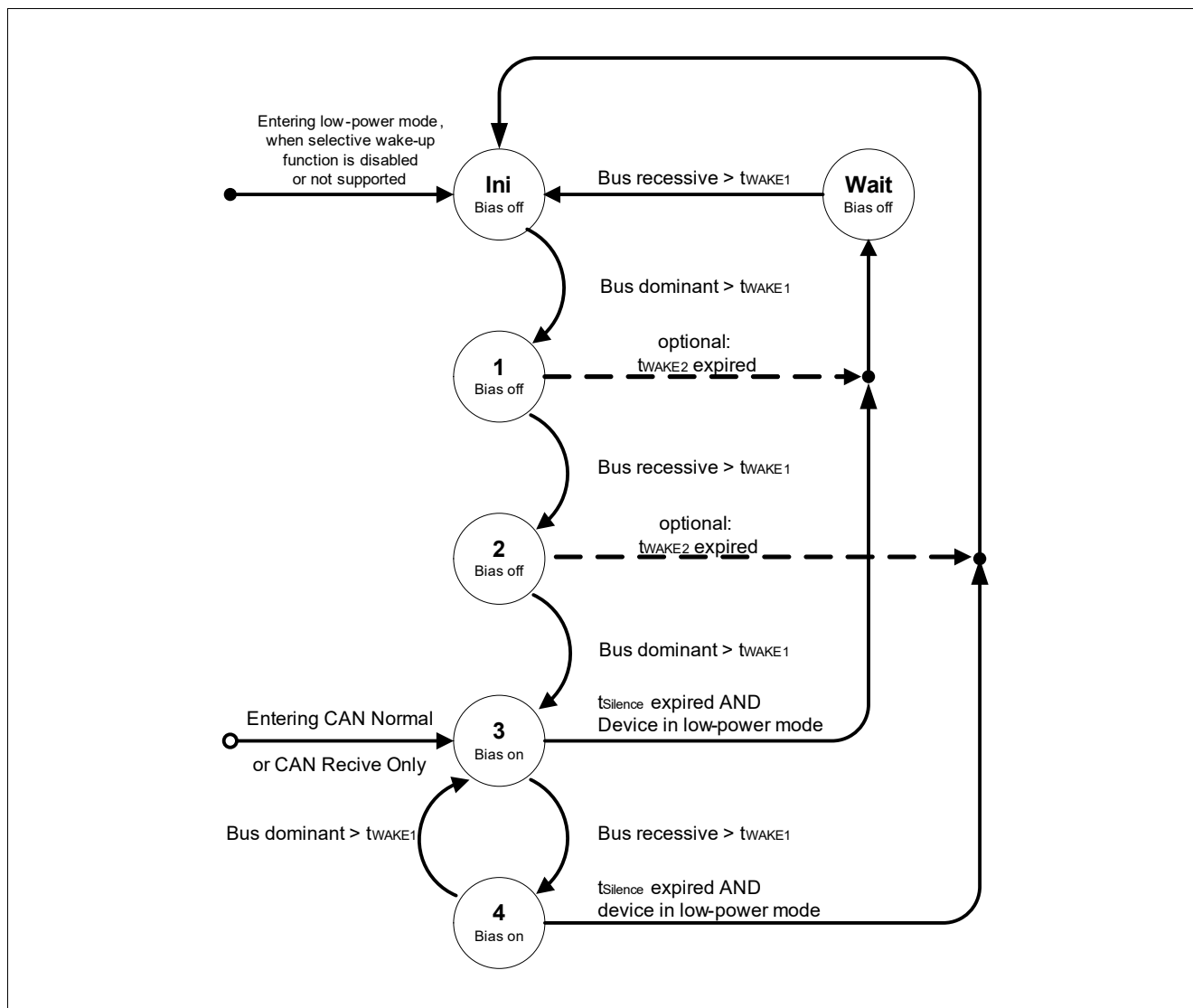


Figure 34 WUP detection following the definition in ISO 11898-2:2016

Rearming the Transceiver for Wake Capability

After a BUS wake-up event, the transceiver is woken. However, the **CAN** transceiver mode bits will still show wake capable (=‘01’) so that the RXD signal will be pulled low. There are two possibilities how the CAN transceiver’s wake capable mode is enabled again after a wake event:

- The CAN transceiver mode must be toggled, i.e. switched from Wake Capable Mode to CAN Normal Mode, CAN Receive Only Mode or CAN Off, before switching to CAN Wake Capable Mode again.
- Rearming is done automatically when the SBC is changed to SBC Stop or SBC Fail-Safe Mode to ensure wake-up capability.
- CAN must be set to CAN wake capable / CAN off mode before entering SBC Sleep Mode

*Note: It is not necessary to clear the CAN wake-up bit **CAN_WU** to become wake capable again. It is sufficient to toggle the CAN mode.*

Note: The CAN module is supplied by an internal voltage when in CAN Wake Capable Mode, i.e. the module must not be supplied through the VCAN pin during this time. Before changing the CAN Mode to Normal Mode, the supply of VCAN has to be activated first.

High Speed CAN Transceiver

Wake-Up in SBC Stop and Normal Mode

In SBC Stop Mode, if a wake-up is detected, it is always signaled by the INT output and in the **WK_STAT_1** SPI register. It is also signaled by RXDCAN pulled to low. The same applies for the SBC Normal Mode. The microcontroller should set the device from SBC Stop Mode to SBC Normal Mode, there is no automatic transition to Normal Mode.

For functional safety reasons, the watchdog will be automatically enabled in SBC Stop Mode after a Bus wake event in case it was disabled before (if bit **WD_EN_WK_BUS** was configured to HIGH before).

Wake-Up in SBC Sleep Mode

Wake-up is possible via a CAN message (filter time $t > t_{Wake1}$). The wake-up automatically transfers the SBC into the SBC Restart Mode and from there to Normal Mode the corresponding RXD pin is set to LOW. The microcontroller is able to detect the low signal on RXD and to read the wake source out of the **WK_STAT_1** register via SPI. No interrupt is generated when coming out of Sleep Mode. The microcontroller can now for example switch the CAN transceiver into CAN Normal Mode via SPI to start communication.

Table 23 Action due to CAN Bus Wake-Up

| SBC Mode | SBC Mode after Wake | VCC1 | INT | RXD |
|----------------|---------------------|------------|------|-----|
| Normal Mode | Normal Mode | ON | LOW | LOW |
| Stop Mode | Stop Mode | ON | LOW | LOW |
| Sleep Mode | Restart Mode | Ramping Up | HIGH | LOW |
| Restart Mode | Restart Mode | ON | HIGH | LOW |
| Fail-Safe Mode | Restart Mode | Ramping up | HIGH | LOW |

High Speed CAN Transceiver

10.2.5 TXD Time-out Feature

If the TXD signal is dominant for a time $t > t_{\text{TXD_CAN_TO}}$, in CAN Normal Mode, the TXD time-out function deactivates the transmission of the signal at the bus. This is implemented to prevent the bus from being blocked permanently due to an error. The transmitter is disabled and the transceiver is switched to Receive Only Mode. The failure is stored in the SPI flag **CAN_FAIL**. The CAN transmitter stage is activated again after the dominant time-out condition is removed and the transceiver is automatically switched back to CAN Normal Mode. The transceiver configuration stays unchanged.

10.2.6 Bus Dominant Clamping

If the HS CAN bus signal is dominant for a time $t > t_{\text{BUS_CAN_TO}}$ in CAN Normal and Receive Only Mode a bus dominant clamping is detected and the SPI bit **CAN_FAIL** is set. The transceiver configuration stays unchanged.

10.2.7 Undervoltage Detection

The voltage at the CAN supply pin is monitored only in CAN Normal and Receive Only Mode for SBC Normal and Stop Mode. In case of VCAN undervoltage a signalization via SPI bit **VCAN_UV** is triggered and the SBC disables the transmitter stage. If the CAN supply reaches a higher level than the undervoltage detection threshold ($V_{\text{CAN}} > V_{\text{CAN_UV}}$), the transceiver is automatically switched back to CAN Normal Mode. The transceiver configuration stays unchanged.

High Speed CAN Transceiver

10.3 Electrical Characteristics

Table 24 Electrical Characteristics

$V_S = 5.5 \text{ V to } 28 \text{ V}$; $T_j = -40 \text{ }^\circ\text{C to } +150 \text{ }^\circ\text{C}$; $4.75 \text{ V} < V_{\text{CAN}} < 5.25 \text{ V}$; $R_L = 60\Omega$; CAN Normal Mode; all voltages with respect to ground, positive current flowing into pin (unless otherwise specified)

| Parameter | Symbol | Values | | | Unit | Note or Test Condition | Number |
|---|----------------------------------|--------|------|------|------------|--|-----------|
| | | Min. | Typ. | Max. | | | |
| CAN Bus Receiver | | | | | | | |
| Differential Receiver Threshold Voltage, recessive to dominant edge | $V_{\text{diff,rd}_N}$ | – | 0.80 | 0.90 | V | $V_{\text{diff}} = V_{\text{CANH}} - V_{\text{CANL}}$; $-12\text{V} \leq V_{\text{CM}}(\text{CAN}) \leq +12\text{V}$; $0.9 \text{ V} \leq V_{\text{diff,D}_\text{Range}} \leq 8 \text{ V}$; CAN Normal Mode | P_10.3.2 |
| Dominant state differential input voltage range | $V_{\text{diff}_D_\text{range}}$ | 0.9 | – | 8.0 | V | ¹⁾ $V_{\text{diff}} = V_{\text{CANH}} - V_{\text{CANL}}$; $-12\text{V} \leq V_{\text{CM}}(\text{CAN}) \leq +12\text{V}$; CAN Normal Mode | P_10.3.59 |
| Differential Receiver Threshold Voltage, dominant to recessive edge | $V_{\text{diff,dr}_N}$ | 0.50 | 0.60 | – | V | $V_{\text{diff}} = V_{\text{CANH}} - V_{\text{CANL}}$; $-12\text{V} \leq V_{\text{CM}}(\text{CAN}) \leq +12\text{V}$; $-3 \text{ V} \leq V_{\text{diff,R}_\text{Range}} \leq 0.5 \text{ V}$; CAN Normal Mode | P_10.3.3 |
| Recessive state differential input voltage range | $V_{\text{diff}_R_\text{range}}$ | -3.0 | – | 0.5 | V | ¹⁾ $V_{\text{diff}} = V_{\text{CANH}} - V_{\text{CANL}}$; $-12\text{V} \leq V_{\text{CM}}(\text{CAN}) \leq +12\text{V}$; CAN Normal Mode | P_10.3.60 |
| Common Mode Range | CMR | -12 | – | 12 | V | ¹⁾ | P_10.3.4 |
| CANH, CANL Input Resistance | R_{in} | 20 | 40 | 50 | k Ω | CAN Normal / Wake capable Mode; Recessive state; $-2 \text{ V} \leq V_{\text{CANL/H}} \leq +7 \text{ V}$ | P_10.3.6 |
| Differential Input Resistance | R_{diff} | 40 | 80 | 100 | k Ω | CAN Normal / Wake capable Mode; Recessive state; $-2 \text{ V} \leq V_{\text{CANL/H}} \leq +7 \text{ V}$ | P_10.3.7 |
| Input Resistance Deviation between CANH and CANL | ΔR_i | -3 | – | 3 | % | ¹⁾ Recessive state; $V_{\text{CANH}} = V_{\text{CANL}} = 5 \text{ V}$ | P_10.3.38 |
| Input Capacitance CANH, CANL versus GND | C_{in} | – | 20 | 40 | pF | ²⁾ $V_{\text{TXD}} = 5 \text{ V}$ | P_10.3.39 |
| Differential Input Capacitance | C_{diff} | – | 10 | 20 | pF | ²⁾ $V_{\text{TXD}} = 5 \text{ V}$ | P_10.3.40 |
| Wake-up Receiver Threshold Voltage, recessive to dominant edge | $V_{\text{diff,rd}_W}$ | – | 0.8 | 1.15 | V | $-12\text{V} \leq V_{\text{CM}}(\text{CAN}) \leq +12\text{V}$; $1.15 \text{ V} \leq V_{\text{diff,D}_\text{Range}} \leq 8 \text{ V}$; CAN Wake Capable Mode | P_10.3.8 |

High Speed CAN Transceiver

Table 24 Electrical Characteristics (cont'd)

$V_S = 5.5 \text{ V to } 28 \text{ V}$; $T_j = -40 \text{ }^\circ\text{C to } +150 \text{ }^\circ\text{C}$; $4.75 \text{ V} < V_{\text{CAN}} < 5.25 \text{ V}$; $R_L = 60\Omega$; CAN Normal Mode; all voltages with respect to ground, positive current flowing into pin (unless otherwise specified)

| Parameter | Symbol | Values | | | Unit | Note or Test Condition | Number |
|---|-------------------------------|--------|------|------|------|---|-----------|
| | | Min. | Typ. | Max. | | | |
| Wake-up Receiver Dominant state differential input voltage range | $V_{\text{diff,D_range_w}}$ | 1.15 | – | 8.0 | V | ¹⁾ $-12\text{V} \leq V_{\text{CM}}(\text{CAN}) \leq +12\text{V}$; CAN Wake Capable Mode | P_10.3.61 |
| Wake-up Receiver Threshold Voltage, dominant to recessive edge | $V_{\text{diff,dr_w}}$ | 0.4 | 0.7 | – | V | $-12\text{V} \leq V_{\text{CM}}(\text{CAN}) \leq +12\text{V}$; $-3 \text{ V} \leq V_{\text{diff,R_Range}} \leq 0.4 \text{ V}$; CAN Wake Capable Mode | P_10.3.9 |
| Wake-up Receiver Recessive state differential input voltage range | $V_{\text{diff,R_range_w}}$ | -3.0 | – | 0.4 | V | ¹⁾ $-12\text{V} \leq V_{\text{CM}}(\text{CAN}) \leq +12\text{V}$; CAN Wake Capable Mode | P_10.3.62 |

CAN Bus Transmitter

| | | | | | | | |
|--|-------------------------|------|-----|------|----|---|-----------|
| CANH/CANL Recessive Output Voltage (CAN Normal Mode) | $V_{\text{CANL/H_NM}}$ | 2.0 | – | 3.0 | V | CAN Normal Mode; $V_{\text{TXD}} = V_{\text{CC1}}$; no load | P_10.3.11 |
| CANH/CANL Recessive Output Voltage (CAN Wake Capable Mode) | $V_{\text{CANL/H_LP}}$ | -0.1 | – | 0.1 | V | CAN Wake Capable Mode; $V_{\text{TXD}} = V_{\text{CC1}}$; no load | P_10.3.43 |
| CANH, CANL Recessive Output Voltage Difference $V_{\text{diff}} = V_{\text{CANH}} - V_{\text{CANL}}$ (CAN Normal Mode) | $V_{\text{diff,r_N}}$ | -500 | – | 50 | mV | CAN Normal Mode $V_{\text{TXD}} = V_{\text{CC1}}$; no load | P_10.3.12 |
| CANH, CANL Recessive Output Voltage Difference $V_{\text{diff}} = V_{\text{CANH}} - V_{\text{CANL}}$ (CAN Wake Capable Mode) | $V_{\text{diff,r_W}}$ | -200 | – | 200 | mV | CAN Wake Capable Mode; $V_{\text{TXD}} = V_{\text{CC1}}$; no load | P_10.3.41 |
| CANL Dominant Output Voltage | V_{CANL} | 0.5 | – | 2.25 | V | CAN Normal Mode; $V_{\text{TXD}} = 0 \text{ V}$; $V_{\text{CAN}} = 5 \text{ V}$; $50\Omega \leq R_L \leq 65\Omega$ | P_10.3.13 |
| CANH Dominant Output Voltage | V_{CANH} | 2.75 | – | 4.5 | V | CAN Normal Mode; $V_{\text{TXD}} = 0 \text{ V}$; $V_{\text{CAN}} = 5 \text{ V}$; $50\Omega \leq R_L \leq 65\Omega$ | P_10.3.14 |
| CANH, CANL Dominant Output Voltage Difference $V_{\text{diff}} = V_{\text{CANH}} - V_{\text{CANL}}$ | $V_{\text{diff,d_N}}$ | 1.5 | 2.0 | 2.5 | V | CAN Normal Mode; $V_{\text{TXD}} = 0 \text{ V}$; $V_{\text{CAN}} = 5 \text{ V}$; $50\Omega \leq R_L \leq 65\Omega$ | P_10.3.16 |

High Speed CAN Transceiver

Table 24 Electrical Characteristics (cont'd)

$V_S = 5.5 \text{ V to } 28 \text{ V}$; $T_j = -40 \text{ }^\circ\text{C to } +150 \text{ }^\circ\text{C}$; $4.75 \text{ V} < V_{\text{CAN}} < 5.25 \text{ V}$; $R_L = 60\Omega$; CAN Normal Mode; all voltages with respect to ground, positive current flowing into pin (unless otherwise specified)

| Parameter | Symbol | Values | | | Unit | Note or Test Condition | Number |
|--|--|--------|------|------|---------------|---|-----------|
| | | Min. | Typ. | Max. | | | |
| CANH, CANL Dominant Output Voltage Difference $V_{\text{diff}} = V_{\text{CANH}} - V_{\text{CANL}}$ | $V_{\text{diff_d_N}}$ | 1.5 | – | 5.0 | V | ¹⁾ CAN Normal Mode; $V_{\text{TXD}} = 0 \text{ V}$; $V_{\text{CAN}} = 5 \text{ V}$; $R_L = 2240\Omega$ | P_10.3.55 |
| CANH, CANL Dominant Output Voltage Difference $V_{\text{diff}} = V_{\text{CANH}} - V_{\text{CANL}}$ | $V_{\text{diff_d_N}}$ | 1.4 | – | 3.3 | V | ¹⁾ CAN Normal Mode; $V_{\text{TXD}} = 0 \text{ V}$; $V_{\text{CAN}} = 5 \text{ V}$; $45\Omega \leq R_L \leq 70\Omega$ | P_10.3.56 |
| CANH, CANL output voltage difference slope, recessive to dominant | $V_{\text{diff_slope_rd}}$ | – | – | 70 | V/us | ¹⁾ 30% to 70% of measured differential bus voltage, $C_L = 100 \text{ pF}$, $R_L = 60 \Omega$ | P_10.3.57 |
| CANH, CANL output voltage difference slope, dominant to recessive | $V_{\text{diff_slope_dr}}$ | – | – | 70 | V/us | ¹⁾ 70% to 30% of measured differential bus voltage, $C_L = 100 \text{ pF}$, $R_L = 60 \Omega$ | P_10.3.58 |
| Driver Symmetry $V_{\text{SYM}} = V_{\text{CANH}} + V_{\text{CANL}}$ | V_{SYM} | 4.5 | – | 5.5 | V | ³⁾ CAN Normal Mode; $V_{\text{TXD}} = 0 \text{ V} / 5 \text{ V}$; $V_{\text{CAN}} = 5 \text{ V}$; $C_{\text{SPLIT}} = 4.7 \text{ nF}$; $R_L = 60\Omega$; | P_10.3.42 |
| CANH Short Circuit Current | I_{CANHsc} | -115 | -80 | -50 | mA | CAN Normal Mode; $V_{\text{CANHshort}} = -3 \text{ V}$ | P_10.3.17 |
| CANL Short Circuit Current | I_{CANLsc} | 50 | 80 | 115 | mA | CAN Normal Mode $V_{\text{CANLshort}} = 18 \text{ V}$ | P_10.3.18 |
| Leakage Current (unpowered device) | $I_{\text{CANH,Ik}}$ $I_{\text{CANL,Ik}}$ | – | 5 | 7.5 | μA | $V_S = V_{\text{CAN}} = 0\text{V}$; $0\text{V} < V_{\text{CANH,L}} \leq 5\text{V}$; ⁴⁾ $R_{\text{test}} = 0 / 47 \text{ k}\Omega$ | P_10.3.19 |

Receiver Output RXD

| | | | | | | | |
|---------------------------|--------------------|-----------------------------|---|-----------------------------|---|--|-----------|
| HIGH level Output Voltage | $V_{\text{RXD,H}}$ | $0.8 \times V_{\text{CC1}}$ | – | – | V | CAN Normal Mode $I_{\text{RXD(CAN)}} = -2 \text{ mA}$; | P_10.3.21 |
| LOW Level Output Voltage | $V_{\text{RXD,L}}$ | – | – | $0.2 \times V_{\text{CC1}}$ | V | CAN Normal Mode $I_{\text{RXD(CAN)}} = 2 \text{ mA}$; | P_10.3.22 |

Transmission Input TXD

| | | | | | | | |
|------------------------------------|--------------------|-----------------------------|---|-----------------------------|---|---------------------------------|-----------|
| HIGH Level Input Voltage Threshold | $V_{\text{TXD,H}}$ | – | – | $0.7 \times V_{\text{CC1}}$ | V | CAN Normal Mode recessive state | P_10.3.23 |
| LOW Level Input Voltage Threshold | $V_{\text{TXD,L}}$ | $0.3 \times V_{\text{CC1}}$ | – | – | V | CAN Normal Mode dominant state | P_10.3.24 |

High Speed CAN Transceiver

Table 24 Electrical Characteristics (cont'd)

$V_S = 5.5 \text{ V to } 28 \text{ V}$; $T_j = -40 \text{ }^\circ\text{C to } +150 \text{ }^\circ\text{C}$; $4.75 \text{ V} < V_{\text{CAN}} < 5.25 \text{ V}$; $R_L = 60\Omega$; CAN Normal Mode; all voltages with respect to ground, positive current flowing into pin
(unless otherwise specified)

| Parameter | Symbol | Values | | | Unit | Note or Test Condition | Number |
|-------------------------------|----------------------|------------------------------|------------------------------|-----------------------------|---------------|--|-----------|
| | | Min. | Typ. | Max. | | | |
| TXD Input Hysteresis | $V_{\text{TXD,hys}}$ | $0.08 \times V_{\text{CC1}}$ | $0.12 \times V_{\text{CC1}}$ | $0.5 \times V_{\text{CC1}}$ | V | ¹⁾ | P_10.3.25 |
| TXD Pull-up Resistance | R_{TXD} | 20 | 40 | 80 | k Ω | – | P_10.3.26 |
| CAN Transceiver Enabling Time | $t_{\text{CAN,EN}}$ | 8 | 13 | 18 | μs | ⁵⁾ CSN = HIGH to first valid transmitted TXD dominant | P_10.3.27 |

Dynamic CAN-Transceiver Characteristics

| | | | | | | | |
|--|---------------------|------|-----|-----|---------------|--|-----------|
| Min. Dominant Time for Bus Wake-up | t_{Wake1} | 0.50 | – | 1.8 | μs | $-12\text{V} \leq V_{\text{CM}}(\text{CAN}) \leq +12\text{V}$; CAN Wake capable Mode | P_10.3.28 |
| Wake-up Time-out, Recessive Bus | t_{Wake2} | 0.8 | – | 10 | ms | ⁵⁾ CAN Wake capable Mode | P_10.3.29 |
| WUP Wake-up Reaction Time | $t_{\text{WU,WUP}}$ | – | – | 100 | μs | ⁵⁾⁶⁾⁷⁾ Wake-up reaction time after a valid WUP on CAN bus; | P_10.3.44 |
| Loop delay (recessive to dominant) | $t_{\text{LOOP,f}}$ | – | 150 | 255 | ns | ³⁾ CAN Normal Mode $C_L = 100 \text{ pF}$; $R_L = 60 \Omega$; $V_{\text{CAN}} = 5 \text{ V}$; $C_{\text{RXD}} = 15 \text{ pF}$ | P_10.3.30 |
| Loop delay (dominant to recessive) | $t_{\text{LOOP,r}}$ | – | 150 | 255 | ns | ³⁾ CAN Normal Mode $C_L = 100 \text{ pF}$; $R_L = 60 \Omega$; $V_{\text{CAN}} = 5 \text{ V}$; $C_{\text{RXD}} = 15 \text{ pF}$ | P_10.3.31 |
| Propagation Delay TXD LOW to bus dominant | $t_{\text{d(L),T}}$ | – | 50 | – | ns | CAN Normal Mode $C_L = 100\text{pF}$; $50\Omega \leq R_L \leq 65\Omega$; $V_{\text{CAN}} = 5 \text{ V}$; | P_10.3.32 |
| Propagation Delay TXD HIGH to bus recessive | $t_{\text{d(H),T}}$ | – | 50 | – | ns | CAN Normal Mode $C_L = 100 \text{ pF}$; $50\Omega \leq R_L \leq 65\Omega$; $V_{\text{CAN}} = 5 \text{ V}$; | P_10.3.33 |
| Propagation Delay bus dominant to RXD LOW | $t_{\text{d(L),R}}$ | – | 100 | – | ns | CAN Normal Mode $C_L = 100\text{pF}$; $50\Omega \leq R_L \leq 60\Omega$; $V_{\text{CAN}} = 5 \text{ V}$; $C_{\text{RXD}} = 15 \text{ pF}$ | P_10.3.34 |

High Speed CAN Transceiver

Table 24 Electrical Characteristics (cont'd)

$V_S = 5.5 \text{ V to } 28 \text{ V}$; $T_j = -40 \text{ }^\circ\text{C to } +150 \text{ }^\circ\text{C}$; $4.75 \text{ V} < V_{\text{CAN}} < 5.25 \text{ V}$; $R_L = 60\Omega$; CAN Normal Mode; all voltages with respect to ground, positive current flowing into pin (unless otherwise specified)

| Parameter | Symbol | Values | | | Unit | Note or Test Condition | Number |
|--|-------------------------|--------|------|------|------|---|-----------|
| | | Min. | Typ. | Max. | | | |
| Propagation Delay bus recessive to RXD HIGH | $t_{d(H),R}$ | – | 100 | – | ns | CAN Normal Mode $C_L = 100\text{pF}$; $50\Omega \leq R_L \leq 60\Omega$; $V_{\text{CAN}} = 5 \text{ V}$; $C_{\text{RXD}} = 15 \text{ pF}$ | P_10.3.35 |
| Received Recessive Bit Width (CAN FD up to 2Mbps) | $t_{\text{bit(RXD)}}$ | 400 | – | 550 | ns | CAN Normal Mode $C_L = 100\text{pF}$; $R_L = 60 \Omega$; $V_{\text{CAN}} = 5 \text{ V}$; $C_{\text{RXD}} = 15 \text{ pF}$; $t_{\text{bit(TXD)}} = 500\text{ns}$; Timing definition according to Figure 36 | P_10.3.46 |
| Transmitted Recessive Bit Width (CAN FD up to 2Mbps) | $t_{\text{bit(BUS)}}$ | 435 | – | 530 | ns | CAN Normal Mode $C_L = 100\text{pF}$; $R_L = 60 \Omega$; $V_{\text{CAN}} = 5 \text{ V}$; $C_{\text{RXD}} = 15 \text{ pF}$; $t_{\text{bit(TXD)}} = 500\text{ns}$; Timing definition according to Figure 36 | P_10.3.47 |
| Receiver Timing Symmetry (CAN FD up to 2Mbps) | Δt_{Rec} | -65 | – | 40 | ns | CAN Normal Mode $C_L = 100\text{pF}$; $R_L = 60 \Omega$; $V_{\text{CAN}} = 5 \text{ V}$; $C_{\text{RXD}} = 15 \text{ pF}$; $t_{\text{bit(TXD)}} = 500\text{ns}$; Timing definition according to Figure 36 | P_10.3.48 |
| Received Recessive Bit Width (CAN FD up to 5 Mbps) | $t_{\text{bit(RXD)}}$ | 120 | – | 220 | ns | CAN Normal Mode; $C_L = 100\text{pF}$; $R_L = 60 \Omega$; $V_{\text{CAN}} = 5 \text{ V}$; $C_{\text{RXD}} = 15 \text{ pF}$; $t_{\text{bit(TXD)}} = 200 \text{ ns}$; Parameter definition in according to Figure 36 . | P_10.3.52 |

High Speed CAN Transceiver

Table 24 Electrical Characteristics (cont'd)

$V_S = 5.5 \text{ V to } 28 \text{ V}$; $T_j = -40 \text{ }^\circ\text{C to } +150 \text{ }^\circ\text{C}$; $4.75 \text{ V} < V_{\text{CAN}} < 5.25 \text{ V}$; $R_L = 60\Omega$; CAN Normal Mode; all voltages with respect to ground, positive current flowing into pin (unless otherwise specified)

| Parameter | Symbol | Values | | | Unit | Note or Test Condition | Number |
|--|---------------------------|--------|------|------|---------------|---|-----------|
| | | Min. | Typ. | Max. | | | |
| Transmitted Recessive Bit Width (CAN FD up to 5 Mbps) | $t_{\text{bit(BUS)}}$ | 155 | – | 210 | ns | CAN Normal Mode; $C_L = 100\text{pF}$; $R_L = 60 \Omega$; $V_{\text{CAN}} = 5 \text{ V}$; $C_{\text{RXD}} = 15 \text{ pF}$; $t_{\text{bit(TXD)}} = 200 \text{ ns}$; Parameter definition in according to Figure 36 . | P_10.3.53 |
| Receiver Timing Symmetry (CAN FD up to 5 Mbps) | Δt_{Rec} | -45 | – | 15 | ns | CAN Normal Mode; $C_L = 100\text{pF}$; $R_L = 60 \Omega$; $V_{\text{CAN}} = 5 \text{ V}$; $C_{\text{RXD}} = 15 \text{ pF}$; $t_{\text{bit(TXD)}} = 200 \text{ ns}$; Parameter definition in according to Figure 36 . | P_10.3.54 |
| TXD Permanent Dominant Time-out | $t_{\text{TXD_CAN_TO}}$ | 1.6 | 2 | 2.4 | ms | ⁵⁾ CAN Normal Mode | P_10.3.36 |
| BUS Permanent Dominant Time-out | $t_{\text{BUS_CAN_TO}}$ | 1.6 | 2 | 2.4 | ms | ⁵⁾ CAN Normal Mode | P_10.3.37 |
| Timeout for bus inactivity | t_{SILENCE} | 0.6 | – | 1.2 | s | ⁵⁾ | P_10.3.50 |
| Bus Bias reaction time | t_{Bias} | – | – | 200 | μs | ⁵⁾ | P_10.3.51 |

- 1) Not subject to production test, specified by design.
- 2) Not subject to production test, specified by design, S2P - Method; $f = 10 \text{ MHz}$.
- 3) V_{SYM} shall be observed during dominant and recessive state and also during the transition dominant to recessive and vice versa while TXD is simulated by a square signal (50% duty cycle) with a frequency of up to 1 MHz (2 MBit/s).
- 4) R_{test} between supply (V_S / V_{CAN}) and 0V (GND).
- 5) Not subject to production test, tolerance defined by internal oscillator tolerance.
- 6) Wake-up is signaled via INT pin activation in SBC Stop Mode and via VCC1 ramping up with wake from SBC Sleep Mode.
- 7) Time starts with end of last dominant phase of WUP.

High Speed CAN Transceiver

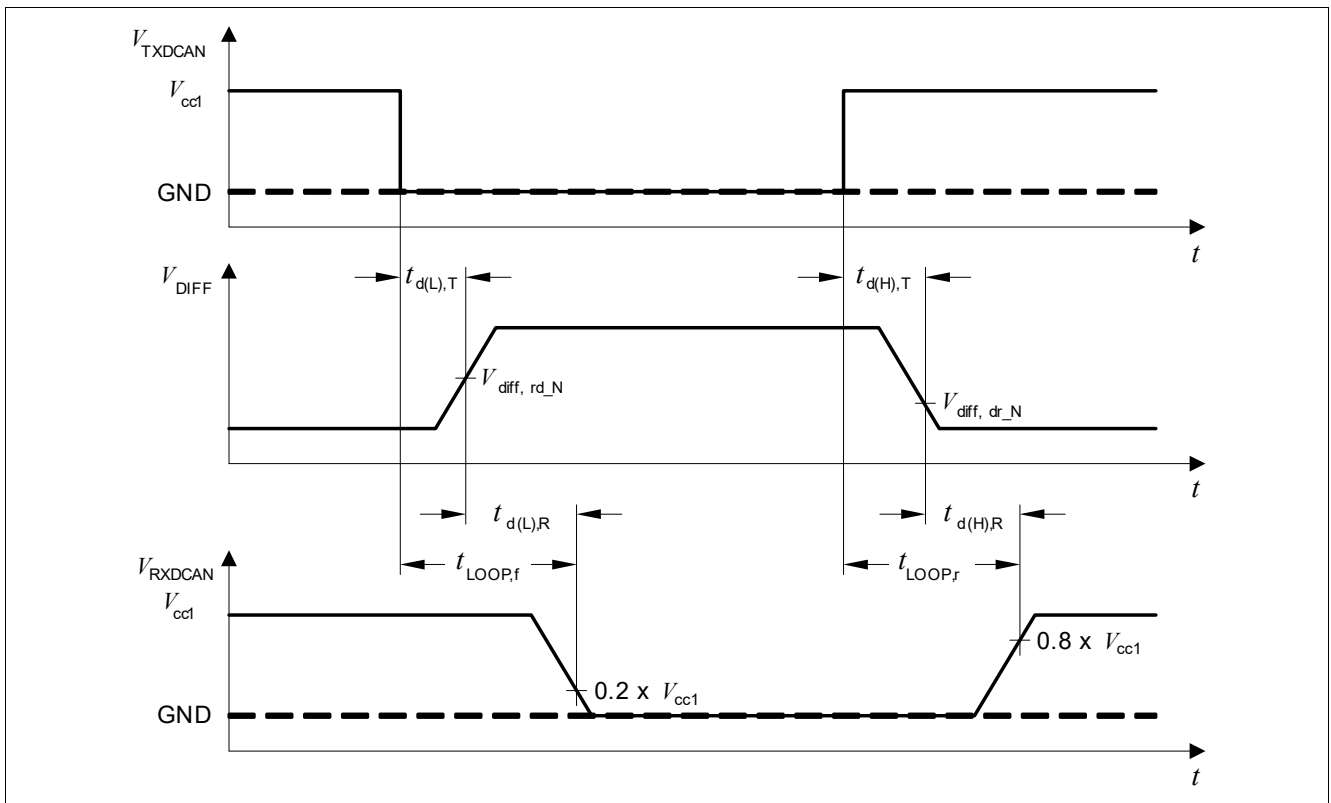


Figure 35 Timing Diagrams for Dynamic Characteristics

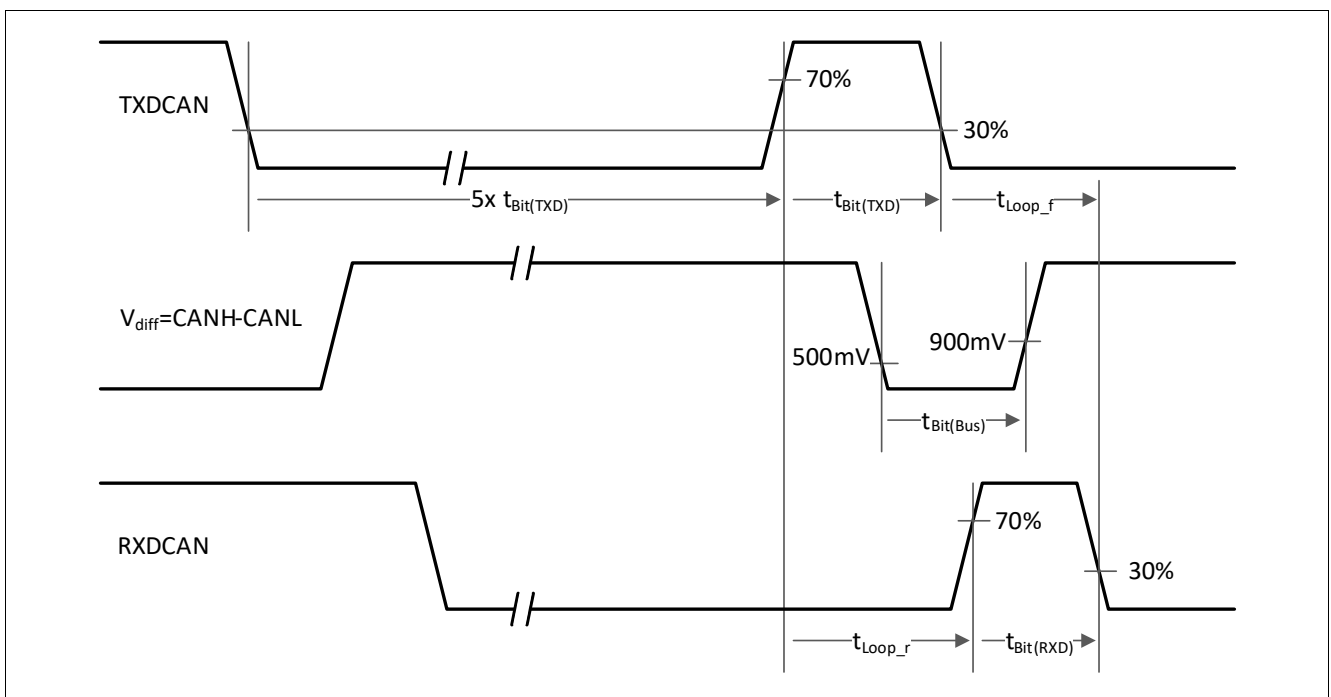


Figure 36 From ISO 11898-2: tloop, tbit(TXD), tbit(Bus), tbit(RXD) definitions

LIN Transceiver

11 LIN Transceiver

11.1 Block Description

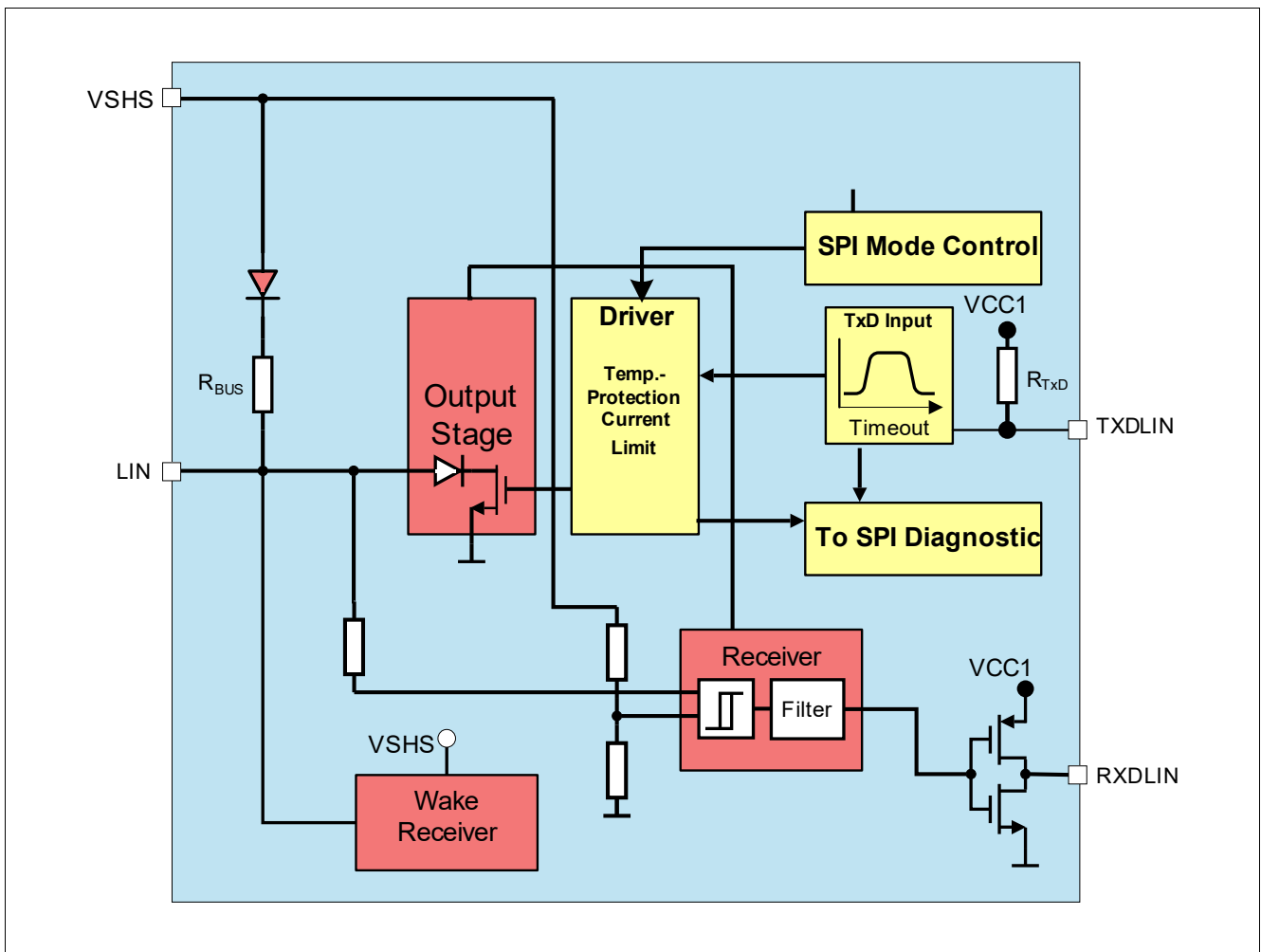


Figure 37 Block Diagram

11.1.1 LIN Specifications

The LIN network is standardized by international regulations.

The device is compliant to the physical layer standard LIN 2.2/ISO 17987-4 and SAE J2602-2. The SAE J2602-2 standard differs from the LIN 2.2/ISO 17987-4 standard mainly by the lower data rate (10.4 kbit/s).

LIN Transceiver

11.2 Functional Description

The LIN Bus is a single wire, bi-directional bus, used for in-vehicle networks. The LIN transceivers implemented inside the TLE9262-3BQXV33 are the interface between the micro controller and the physical LIN Bus. The digital output data from the micro controller are driven to the LIN bus via the TXD input pin on the TLE9262-3BQXV33. The transmit data stream on the TXD input is converted to a LIN bus signal with optimized slew rate to minimize the EME level of the LIN network. The RXD output sends back the information from the LIN bus to the micro controller. The receiver has an integrated filter network to suppress noise on the LIN Bus and to increase the EMI (Electro Magnetic Immunity) level of the transceiver.

Two logical states are possible on the LIN Bus according to LIN 2.2/ISO 17987-4.

Every LIN network consists of a master node and one or more slave nodes. To configure the TLE9262-3BQXV33 for master node applications, a resistor in the range of 1 kΩ and a reverse diode must be connected between the LIN bus and the power supply VSHS.

The different transceiver modes can be controlled via the SPI LIN1 bits.

Figure 38 shows the possible transceiver mode transitions when changing the SBC mode.

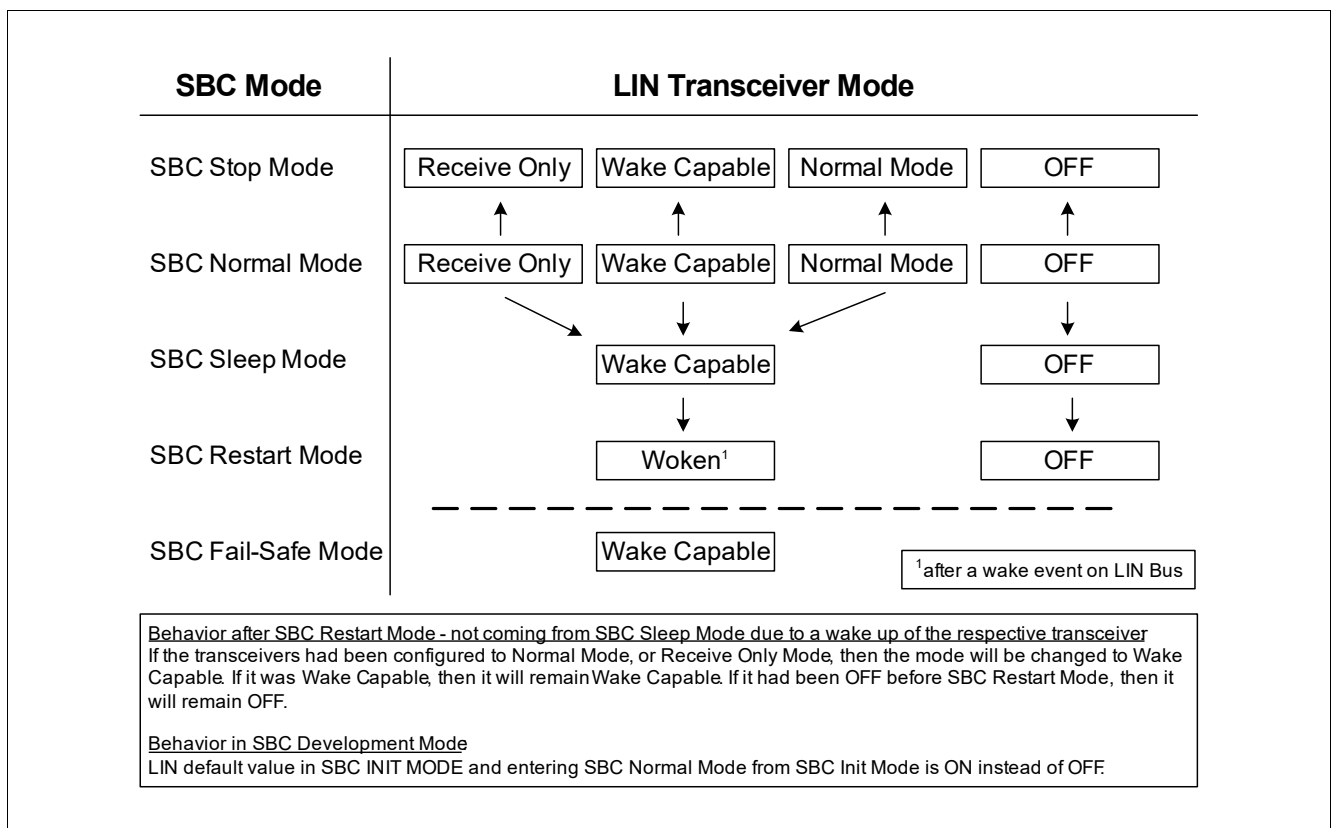


Figure 38 LIN Mode Control Diagram

11.2.1 LIN OFF Mode

The LIN OFF Mode is the default mode after power-up of the SBC. It is available in all SBC Modes and is intended to completely stop LIN activities or when LIN communication is not needed. In LIN OFF Mode, a wake-up event on the bus will be ignored.

LIN Transceiver

11.2.2 LIN Normal Mode

The LIN Transceiver is enabled via SPI in SBC Normal Mode. LIN Normal Mode is designed for normal data transmission/reception within the LIN network. The Mode is available in SBC Normal Mode and in SBC Stop Mode.

Transmission

The signal from the microcontroller is applied to the TXDLIN input of the SBC. The bus driver switches the LIN output stage to transfer this input signal to the LIN bus line.

Enabling Sequence

The LIN transceiver requires an enabling time $t_{LIN,EN}$ before a message can be sent on the bus. This means that the TXDLIN signal can only be pulled LOW after the enabling time. If this is not ensured, then the TXDLIN needs to be set back to high (=recessive) until the enabling time is completed.

Only the next dominant bit will be transmitted on the bus.

Figure 39 shows different scenarios and explanations for LIN enabling.

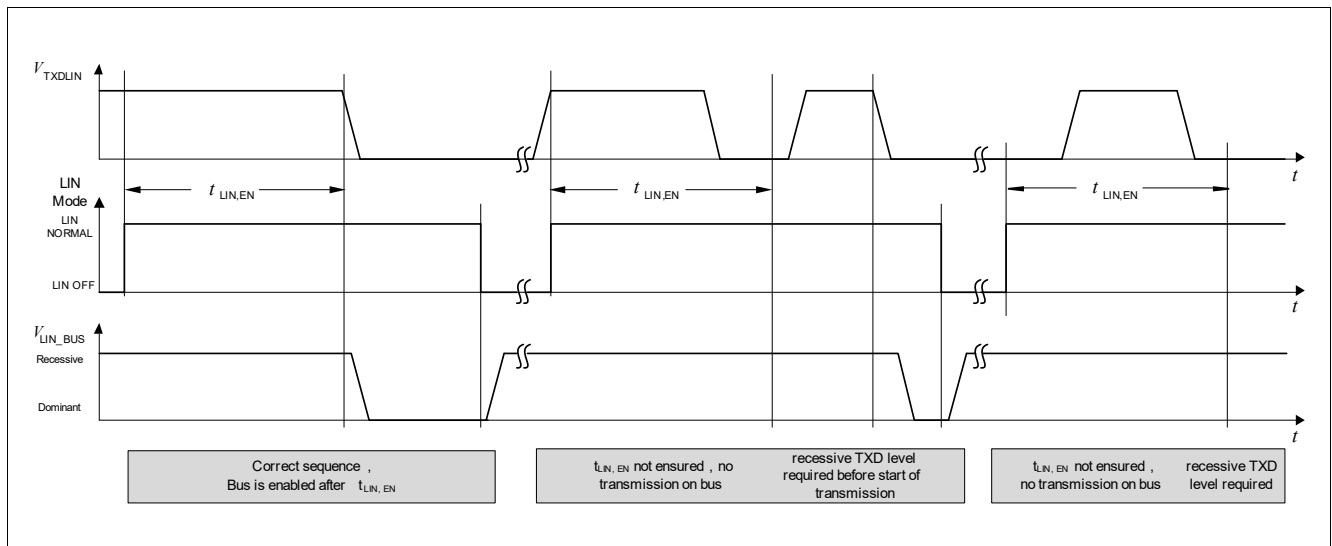


Figure 39 LIN Transceiver Enabling Sequence

Reduced Electromagnetic Emission

To reduce electromagnetic emissions (EME), the bus driver controls LIN slopes symmetrically. The configuration of the different slopes is described in **Chapter 11.2.8**.

Reception

Analog LIN bus signals are converted into digital signals at RXD via the differential input receiver.

11.2.3 LIN Receive Only Mode

In LIN Receive Only Mode (RXD only), the driver stage is de-activated but reception is still possible. This mode is accessible by an SPI command and is available in SBC Normal and SBC Stop Mode.

LIN Transceiver

11.2.4 LIN Wake Capable Mode

This mode can be used in SBC Stop, Sleep, Restart and Normal Mode by programming via SPI and it is used to monitor bus activities. It is automatically accessed in SBC Fail-Safe Mode. A wake up is detected, if a recessive to dominant transition on the LIN bus is followed by a dominant level of longer than $t_{WK,BUS}$, followed by a dominant to recessive transition. The dominant to recessive transition will cause a wake up of the LIN transceiver. A wake-up results in a different behavior of the SBC, as described in below **Table 25**. As a signalization to the microcontroller, the RXD_LIN pin is set LOW and will stay LOW until the LIN transceiver is changed to any other mode. After a wake-up event the transceiver can be switched to LIN Normal Mode for communication.

Rearming the transceiver for wake capability

After a BUS wake-up event, the transceiver is woken. However, the **LIN1** transceiver mode bits will still show wake capable (=‘01’) so that the RXD signal will be pulled low. There are two possibilities how the LIN transceiver’s wake capable mode is enabled again after a wake event:

- The LIN transceiver mode must be toggled, i.e. switched to LIN Normal Mode, LIN Receive Only Mode or LIN Off, before switching to LIN Wake Capable Mode again.
- Rearming is done automatically when the SBC is changed to SBC Stop, SBC Sleep, or SBC Fail-Safe Mode to ensure wake-up capability.

Wake-Up in SBC Stop and SBC Normal Mode

In SBC Stop Mode, if a wake-up is detected, it is signaled by the INT output and in the **WK_STAT_1** SPI register. It is also signaled by RXDLIN put to LOW. The same applies for the SBC Normal Mode. The microcontroller should set the device to SBC Normal Mode, there is no automatic transition to Normal Mode.

For functional safety reasons, the watchdog will be automatically enabled in SBC Stop Mode after a Bus wake event in case it was disabled before (if bit **WD_EN_WK_BUS** was configured to HIGH before).

Wake-Up in SBC Sleep Mode

Wake-up is possible via a LIN message (filter time $t > t_{WK,BUS}$). The wake-up automatically transfers the SBC into the SBC Restart Mode and from there to Normal Mode the corresponding RXD pin in set to LOW. The microcontroller is able to detect the low signal on RXD and to read the wake source out of the **WK_STAT_1** register via SPI. No interrupt is generated when coming out of Sleep Mode. The microcontroller can now switch the LIN transceiver into LIN Normal Mode via SPI to start communication.

Table 25 Action due to a LIN BUS Wake-up

| SBC Mode | SBC Mode after Wake | VCC1 | INT | RXD |
|----------------|---------------------|------------|------|-----|
| Normal Mode | Normal Mode | ON | LOW | LOW |
| Stop Mode | Stop Mode | ON | LOW | LOW |
| Sleep Mode | Restart Mode | Ramping Up | HIGH | LOW |
| Restart Mode | Restart Mode | ON | HIGH | LOW |
| Fail-Safe Mode | Restart Mode | Ramping up | HIGH | LOW |

LIN Transceiver

11.2.5 TXD Time-out Feature

If the TXD signal is dominant for the time $t > t_{\text{TXD_LIN_TO}}$, the TXD time-out function deactivates the LIN transmitter output stage temporarily. The transceiver remains in recessive state. The TXD time-out function prevents the LIN bus from being blocked by a permanent LOW signal on the TXD pin, caused by a failure. The failure is stored in the SPI flag **LIN1_FAIL**. The LIN transmitter stage is activated again after the dominant time-out condition is removed. The transceiver configuration stays unchanged.

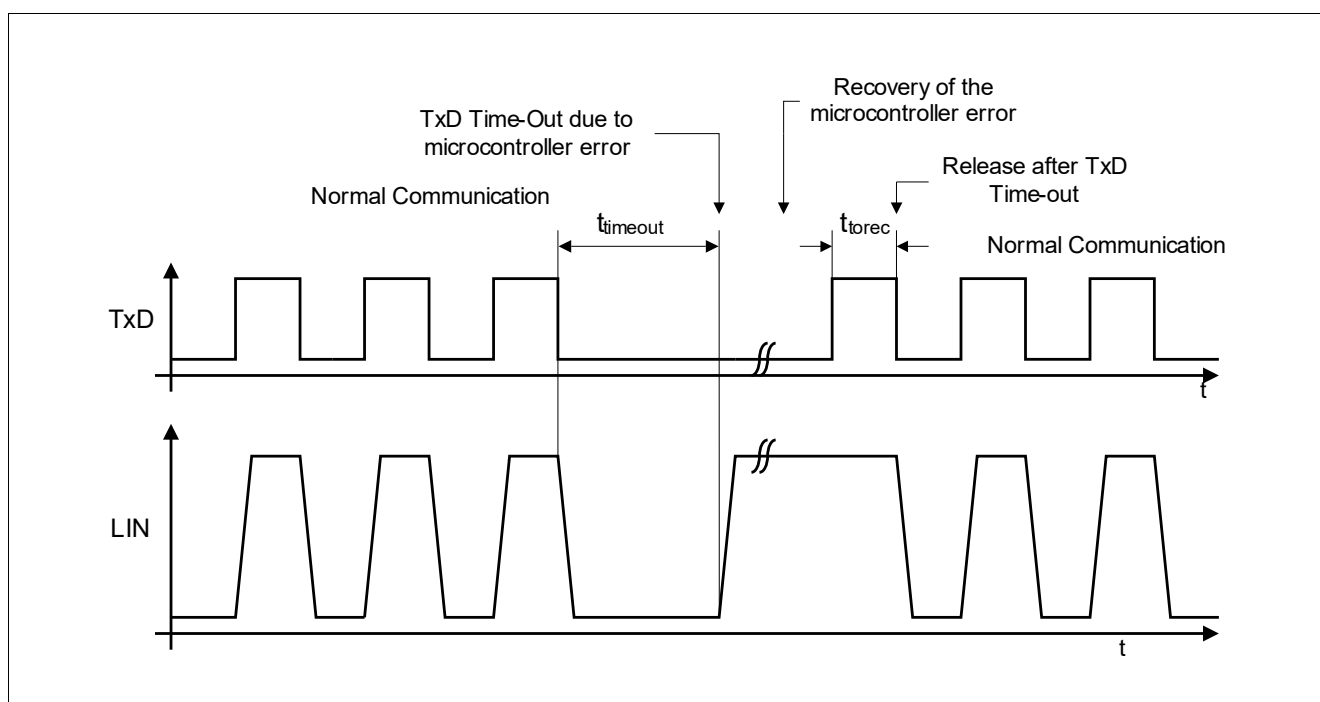


Figure 40 TXD Time-Out Function

11.2.6 Bus Dominant Clamping

If the LIN bus signal is dominant for a time $t > t_{\text{BUS_LIN_TO}}$ in LIN Normal and Receive Only Mode, then a bus dominant clamping is detected and the SPI bit **LIN1_FAIL** is set. The transceiver configuration stays unchanged.

11.2.7 Undervoltage Detection

In case the supply voltage is dropping below the VSHS undervoltage detection threshold ($V_{\text{SHS}} < V_{\text{SHS,UVD}}$), the TLE9262-3BQXV33 disables the output and receiver stages. If the power supply reaches a higher level than the undervoltage detection threshold ($V_{\text{SHS}} > V_{\text{SHS,UVD}}$), the TLE9262-3BQXV33 continues with normal operation. The transceiver configuration stays unchanged.

LIN Transceiver

11.2.8 Slope Selection

The LIN transceiver offers a LIN Low-Slope Mode for 10.4 kBaud communication and a LIN Normal-Slope Mode for 20 kBaud communication. The only difference is the behavior of the transmitter. In LIN Low-Slope Mode, the

transmitter uses a lower slew rate to further reduce the EME compared to Normal-Slope Mode. This complies with SAE J2602 requirements. By default, the device works in LIN Normal-Slope Mode. The selection of LIN Low-Slope Mode is done by an SPI bit **LIN_LSM** and will become effective as soon as CSN goes 'HIGH'. Only the LIN Slope is changed. The selection is accessible in SBC Normal Mode only.

11.2.9 Flash Programming via LIN

The device allows LIN flash programming, e.g. of another LIN Slave with a communication of up to 115 kBaud. This feature is enabled by de-activating the slope control mechanism via a SPI command (bit LIN_FLASH) and will become effective as soon as CSN goes 'HIGH'. The SPI bit can be set in SBC Normal Mode.

Note: It is recommended to perform flash programming only at nominal supply voltage $V_{SHS} = 13.5V$ to ensure stable data communication.

LIN Transceiver

11.3 Electrical Characteristics

Table 26 Electrical Characteristics

$V_{SHS} = 5.5 \text{ V to } 18 \text{ V}$, $T_j = -40 \text{ }^\circ\text{C to } +150 \text{ }^\circ\text{C}$, $R_L = 500 \text{ } \Omega$, all voltages with respect to ground, positive current flowing into pin (unless otherwise specified)

| Parameter | Symbol | Values | | | Unit | Note or Test Condition | Number |
|--|---------------|------------------------|-----------------------|------------------------|---------------|--|-----------|
| | | Min. | Typ. | Max. | | | |
| Receiver Output (RXD pin) | | | | | | | |
| HIGH Level Output Voltage | $V_{RXD,H}$ | $0.8 \times V_{CC1}$ | – | – | V | $I_{RXD} = -1.6 \text{ mA}$; $V_{Bus} = V_{SHS}$ | P_11.3.1 |
| LOW Level Output Voltage | $V_{RXD,L}$ | – | – | $0.2 \times V_{CC1}$ | V | $I_{RXD} = 1.6 \text{ mA}$ $V_{Bus} = 0 \text{ V}$ | P_11.3.2 |
| Transmission Input (TXD pin) | | | | | | | |
| HIGH Level Input Voltage | $V_{TXD,H}$ | $0.7 \times V_{CC1}$ | – | – | V | Recessive State | P_11.3.3 |
| TXD Input Hysteresis | $V_{TXD,hys}$ | $0.08 \times V_{CC1}$ | $0.12 \times V_{CC1}$ | $0.5 \times V_{CC1}$ | V | ¹⁾ | P_11.3.4 |
| LOW Level Input Voltage | $V_{TXD,L}$ | – | – | $0.3 \times V_{CC1}$ | V | Dominant State | P_11.3.5 |
| TXD Pull-up Resistance | R_{TXD} | 20 | 40 | 80 | k Ω | $V_{TXD} = 0 \text{ V}$ | P_11.3.6 |
| LIN Bus Receiver (LIN Pin) | | | | | | | |
| Receiver Threshold Voltage, Recessive to Dominant Edge | $V_{Bus,rd}$ | $0.4 \times V_{SHS}$ | $0.45 \times V_{SHS}$ | – | V | | P_11.3.7 |
| Receiver Dominant State | $V_{Bus,dom}$ | – | – | $0.4 \times V_{SHS}$ | V | LIN 2.2/ISO 17987-4 Param 17 | P_11.3.8 |
| Receiver Threshold Voltage, Dominant to Recessive Edge | $V_{Bus,dr}$ | – | $0.55 \times V_{SHS}$ | $0.60 \times V_{SHS}$ | V | | P_11.3.9 |
| Receiver Recessive State | $V_{Bus,rec}$ | $0.6 \times V_{SHS}$ | – | – | V | LIN 2.2/ISO 17987-4 Param 18 | P_11.3.10 |
| Receiver Center Voltage | $V_{Bus,c}$ | $0.475 \times V_{SHS}$ | $0.5 \times V_{SHS}$ | $0.525 \times V_{SHS}$ | V | LIN 2.2/ISO 17987-4 Param 19 $6 \text{ V} < V_{SHS} < 18 \text{ V}$ | P_11.3.11 |
| Receiver Hysteresis | $V_{Bus,hys}$ | $0.07 \times V_{SHS}$ | $0.1 \times V_{SHS}$ | $0.175 \times V_{SHS}$ | V | $V_{bus,hys} = V_{bus,dr} - V_{bus,rd}$ LIN 2.2/ISO 17987-4 Param 20 | P_11.3.12 |
| Wake-up Threshold Voltage | $V_{Bus,wk}$ | $0.40 \times V_{SHS}$ | $0.5 \times V_{SHS}$ | $0.6 \times V_{SHS}$ | V | – | P_11.3.13 |
| Dominant Time for Bus Wake-up | $t_{WK,Bus}$ | 30 | – | 150 | μs | ²⁾ | P_11.3.14 |

LIN Transceiver

Table 26 Electrical Characteristics (cont'd)

$V_{SHS} = 5.5 \text{ V to } 18 \text{ V}$, $T_j = -40 \text{ }^\circ\text{C to } +150 \text{ }^\circ\text{C}$, $R_L = 500 \text{ } \Omega$, all voltages with respect to ground, positive current flowing into pin (unless otherwise specified)

| Parameter | Symbol | Values | | | Unit | Note or Test Condition | Number |
|--|-----------------------|-----------------------------|------|------------------|---------------|--|-----------|
| | | Min. | Typ. | Max. | | | |
| LIN Bus Transmitter (LIN Pin) | | | | | | | |
| Bus Serial Diode Voltage Drop | V_{serdiode} | 0.4 | 0.7 | 1.0 | V | ¹⁾ $V_{\text{TXD}} = \text{VCC1}$; LIN 2.2/ISO 17987-4 Param 21 | P_11.3.15 |
| Bus Recessive Output Voltage | $V_{\text{BUS,ro}}$ | $0.8 \times V_{\text{SHS}}$ | – | V_{SHS} | V | $V_{\text{TXD}} = \text{HIGH Level}$ | P_11.3.16 |
| Bus Short Circuit Current | $I_{\text{BUS,sc}}$ | 40 | 100 | 150 | mA | $V_{\text{BUS}} = 18 \text{ V}$; LIN 2.2/ISO 17987-4 Param 12 | P_11.3.17 |
| Leakage Current Loss of Ground | $I_{\text{BUS,lk1}}$ | -1000 | -450 | 20 | μA | $V_{\text{SHS}} = 12 \text{ V} = \text{GND}$; $0 \text{ V} < V_{\text{BUS}} < 18 \text{ V}$; LIN 2.2/ISO 17987-4 Param 15 | P_11.3.18 |
| Leakage Current Loss of Battery | $I_{\text{BUS,lk2}}$ | – | – | 20 | μA | $V_{\text{SHS}} = 0 \text{ V}$; $V_{\text{BUS}} = 18 \text{ V}$; LIN 2.2/ISO 17987-4 Param 16 | P_11.3.19 |
| Leakage Current Driver Off | $I_{\text{BUS,lk3}}$ | -1 | – | – | mA | $V_{\text{SHS}} = 18 \text{ V}$; $V_{\text{BUS}} = 0 \text{ V}$; LIN 2.2/ISO 17987-4 Param 13 | P_11.3.20 |
| Leakage Current Driver Off | $I_{\text{BUS,lk4}}$ | – | – | 20 | μA | $V_{\text{SHS}} = 8 \text{ V}$; $V_{\text{BUS}} = 18 \text{ V}$; LIN 2.2/ISO 17987-4 Param 14 | P_11.3.21 |
| Bus Pull-up Resistance | R_{BUS} | 20 | 30 | 47 | k Ω | Normal Mode LIN 2.2/ISO 17987-4 Param 26 | P_11.3.22 |
| LIN Input Capacitance | C_{BUS} | | 20 | 25 | pF | ¹⁾ | P_11.3.23 |
| Receiver propagation delay bus dominant to RXD LOW | $t_{\text{d(L),R}}$ | – | 1 | 6 | μs | $V_{\text{CC}} = 3.3 \text{ V}$; $C_{\text{RXD}} = 20 \text{ pF}$; LIN 2.2/ISO 17987-4 Param 31 | P_11.3.24 |
| Receiver propagation delay bus recessive to RXD HIGH | $t_{\text{d(H),R}}$ | – | 1 | 6 | μs | $V_{\text{CC}} = 3.3 \text{ V}$; $C_{\text{RXD}} = 20 \text{ pF}$; LIN 2.2/ISO 17987-4 Param 31 | P_11.3.25 |
| Receiver delay symmetry | $t_{\text{sym,R}}$ | -2 | – | 2 | μs | $t_{\text{sym,R}} = t_{\text{d(L),R}} - t_{\text{d(H),R}}$; LIN 2.2/ISO 17987-4 Param 32 | P_11.3.26 |

LIN Transceiver

Table 26 Electrical Characteristics (cont'd)

$V_{SHS} = 5.5 \text{ V to } 18 \text{ V}$, $T_j = -40 \text{ °C to } +150 \text{ °C}$, $R_L = 500 \text{ } \Omega$, all voltages with respect to ground, positive current flowing into pin (unless otherwise specified)

| Parameter | Symbol | Values | | | Unit | Note or Test Condition | Number |
|--|--------------------|--------|------|-------|---------------|---|-----------|
| | | Min. | Typ. | Max. | | | |
| LIN Transceiver Enabling Time | $t_{LIN,EN}$ | 8 | 13 | 18 | μs | ²⁾ CSN = HIGH to first valid transmitted TXD dominant | P_11.3.27 |
| Bus Dominant Time Out | $t_{BUS_LIN_TO}$ | 16 | 20 | 24 | ms | ¹⁾²⁾ | P_11.3.28 |
| TXD Dominant Time Out | $t_{TXD_LIN_TO}$ | 16 | 20 | 24 | ms | ¹⁾²⁾ $V_{TXD} = 0 \text{ V}$ | P_11.3.29 |
| TXD Dominant Time Out Recovery Time | t_{torec} | 5 | 10 | 14 | μs | ¹⁾²⁾ | P_11.3.30 |
| Duty Cycle D1 (For worst case at 20 kbit/s) LIN 2.2/ISO 17987-4 Normal Slope | D1 | 0.396 | – | – | | ³⁾ $TH_{Rec}(\text{max}) = 0.744 \times V_{SHS}$; $TH_{Dom}(\text{max}) = 0.581 \times V_{SHS}$; $V_{SHS} = 7.0 \dots 18 \text{ V}$; $t_{bit} = 50 \text{ } \mu\text{s}$; $D1 = t_{bus_rec(\text{min})}/2 t_{bit}$; LIN 2.2/ISO 17987-4 Param 27 | P_11.3.31 |
| Duty Cycle D2 (for worst case at 20 kbit/s) LIN 2.2/ISO 17987-4 Normal Slope | D2 | – | – | 0.581 | | ³⁾ $TH_{Rec}(\text{min.}) = 0.422 \times V_{SHS}$; $TH_{Dom}(\text{min.}) = 0.284 \times V_{SHS}$; $V_{SHS} = 7.6 \dots 18 \text{ V}$; $t_{bit} = 50 \text{ } \mu\text{s}$; $D2 = t_{bus_rec(\text{max})}/2 t_{bit}$; LIN 2.2/ISO 17987-4 Param 28 | P_11.3.32 |
| Duty Cycle D3 (for worst case at 10.4 kbit/s) SAE J2602 Low Slope | D3 | 0.417 | – | – | | ³⁾ $TH_{Rec}(\text{max}) = 0.778 \times V_{SHS}$; $TH_{Dom}(\text{max}) = 0.616 \times V_{SHS}$; $V_{SHS} = 7.0 \dots 18 \text{ V}$; $t_{bit} = 96 \text{ } \mu\text{s}$; $D3 = t_{bus_rec(\text{min})}/2 t_{bit}$; LIN 2.2/ISO 17987-4 Param 29 | P_11.3.33 |
| Duty Cycle D4 (for worst case at 10.4 kbit/s) SAE J2602 Low Slope | D4 | – | – | 0.590 | | ³⁾ $TH_{Rec}(\text{min.}) = 0.389 \times V_{SHS}$; $TH_{Dom}(\text{min.}) = 0.251 \times V_{SHS}$; $V_{SHS} = 7.6 \dots 18 \text{ V}$; $t_{bit} = 96 \text{ } \mu\text{s}$; $D4 = t_{bus_rec(\text{max})}/2 t_{bit}$; LIN 2.2/ISO 17987-4 Param 30 | P_11.3.34 |

1) Not subject to production test, specified by design.

2) Not subject to production test, tolerance defined by internal oscillator tolerance

3) Bus load conditions concerning LIN 2.2/ISO 17987-4 C_{LIN} , $R_{LIN} = 1 \text{ nF}$, $1 \text{ k}\Omega$ / 6.8 nF , $660 \text{ } \Omega$ / 10 nF , $500 \text{ } \Omega$

LIN Transceiver

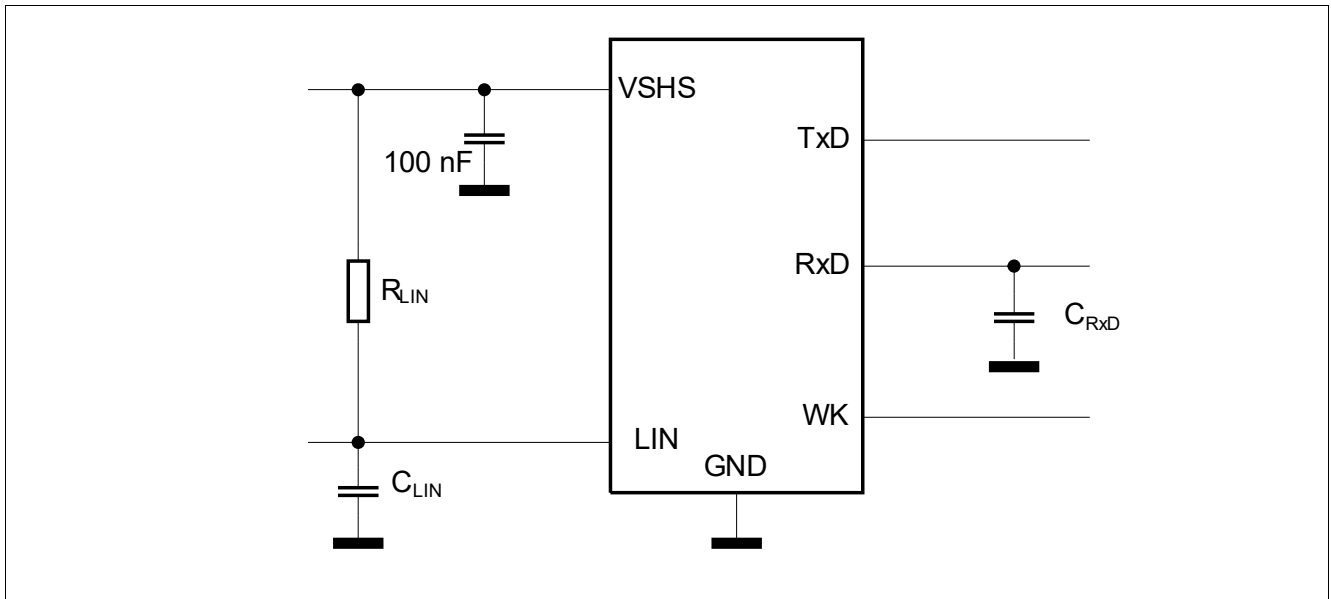


Figure 41 Simplified Test Circuit for Dynamic Characteristics

LIN Transceiver

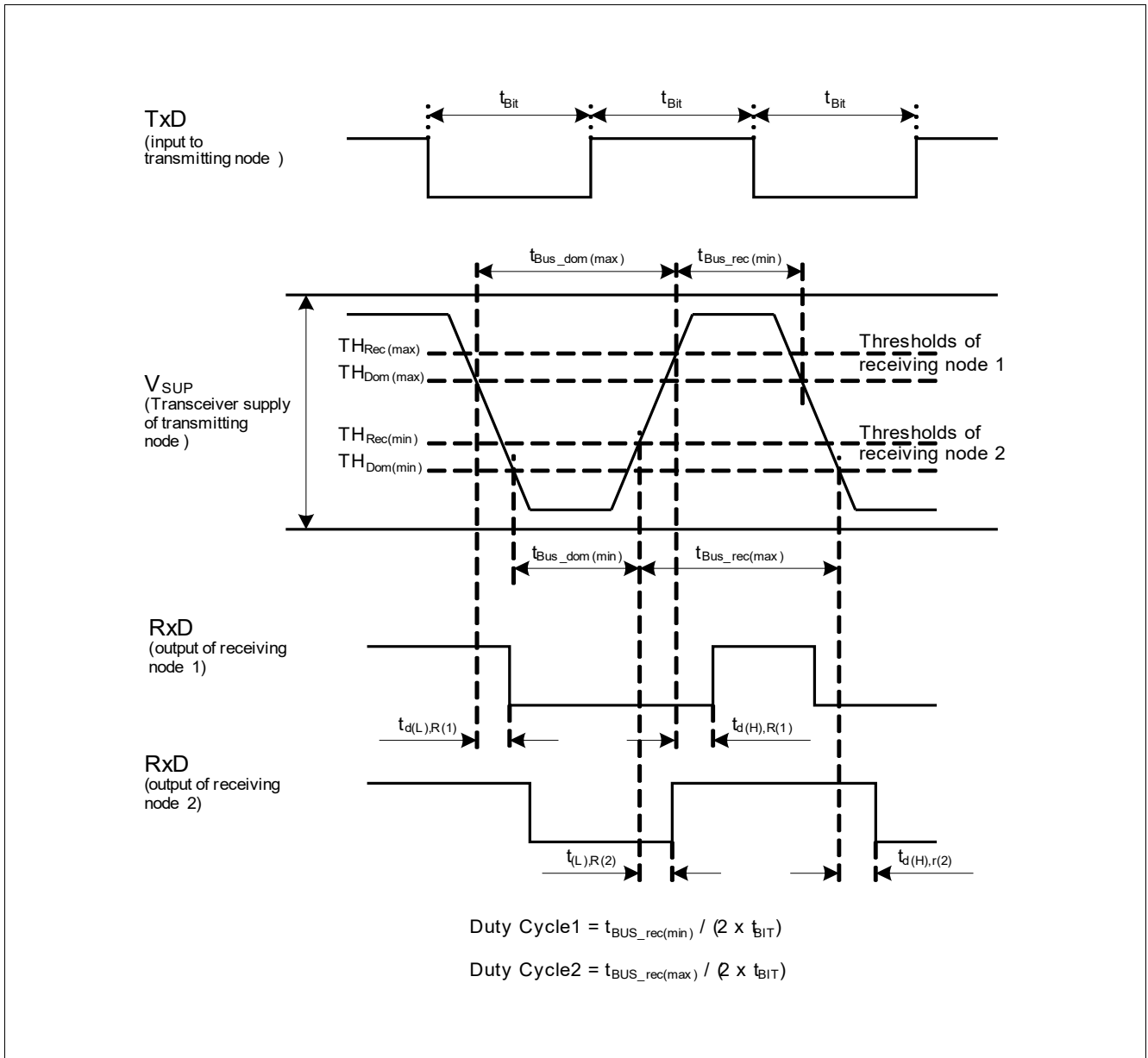


Figure 42 Timing Diagram for Dynamic Characteristics

Wake and Voltage Monitoring Inputs

12 Wake and Voltage Monitoring Inputs

12.1 Block Description

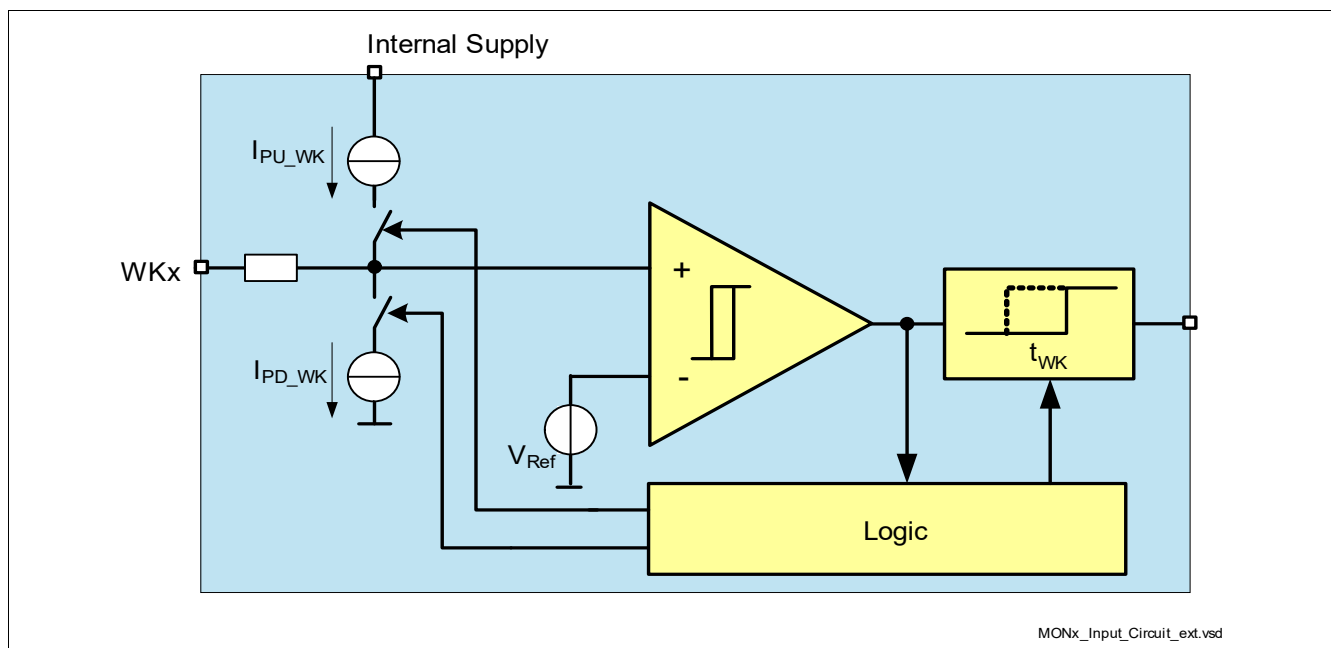


Figure 43 Wake Input Block Diagram

Features

- Three High-Voltage inputs with a 3V (typ.) threshold voltage
- Alternate Measurement function for high-voltage sensing via WK1 and WK2
- Wake-up capability for power saving modes
- Edge sensitive wake feature LOW to HIGH and HIGH to LOW
- Pull-up and Pull-down current sources, configurable via SPI
- Selectable configuration for static sense or cyclic sense working with TIMER1, TIMER2
- In SBC Normal and SBC Stop Mode the level of the WK pin can be read via SPI even if the respective WK is not enabled as a wake source.

Wake and Voltage Monitoring Inputs

12.2 Functional Description

The wake input pins are edge-sensitive inputs with a switching threshold of typically 3V. This means that both transitions, HIGH to LOW and LOW to HIGH, result in a signalization by the SBC. The signalization occurs either in triggering the interrupt in SBC Normal Mode and SBC Stop Mode or by a wake up of the device in SBC Sleep and SBC Fail-Safe Mode.

Two different wake detection modes can be selected via SPI:

- Static sense: WK inputs are always active
- Cyclic sense: WK inputs are only active for a certain time period (see [Chapter 5.2.1](#))

Two different filter times of 16 μ s or 64 μ s can be selected to avoid a parasitic wake-up due to transients or EMC disturbances in static sense configuration.

The filter time (t_{FWK1} , t_{FWK2}) is triggered by a level change crossing the switching threshold and a wake signal is recognized if the input level will not cross again the threshold during the selected filter time.

Figure 44 shows a typical wake-up timing and parasitic filter.

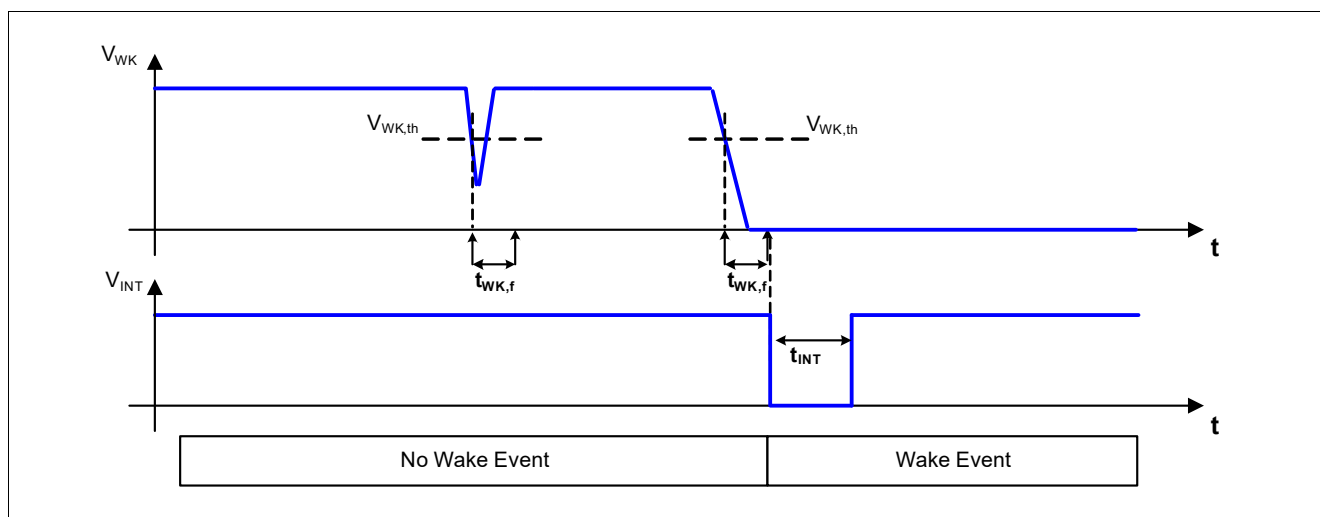


Figure 44 Wake-up Filter Timing for Static Sense

The wake-up capability for each WK pin can be enabled or disabled via SPI command in the [WK_CTRL_2](#) register.

The wake source for a wake via a WKx pin can always be read in the register [WK_STAT_1](#) at the bits WK1_WU, WK2_WU, and WK3_WU.

The actual voltage level of the WK pin (LOW or HIGH) can always be read in SBC Normal and SBC Stop Mode in the register [WK_LVL_STAT](#). During Cyclic Sense, the register show the sampled levels of the respective WK pin.

If FO2...3 are configured as WK inputs in its alternative function (16 μ s static filter time), then the wake events will be signalled in the register [WK_STAT_2](#).

Wake and Voltage Monitoring Inputs

12.2.1 Wake Input Configuration

To ensure a defined and stable voltage levels at the internal comparator input it is possible to configure integrated current sources via the SPI register **WK_PUPD_CTRL**. In addition, the wake detection modes (including the filter time) can be configured via the SPI register **WK_FLT_CTRL**. An example illustration for the automatic switching configuration is shown in **Figure 45**.

Table 27 Pull-Up / Pull-Down Resistor

| WKx_PUPD_1 | WKx_PUPD_0 | Current Sources | Note |
|------------|------------|---------------------|--|
| 0 | 0 | no current source | WKx input is floating if left open (default setting) |
| 0 | 1 | pull-down | WKx input internally pulled to GND |
| 1 | 0 | pull-up | WKx input internally pulled to internal 5V supply |
| 1 | 1 | Automatic switching | If a high level is detected at the WKx input the pull-up source is activated, if low level is detected the pull down is activated. |

Note: If there is no pull-up or pull-down configured on the WK input, then the respective input should be tied to GND or VS on board to avoid unintended floating of the pin and subsequent wake events.

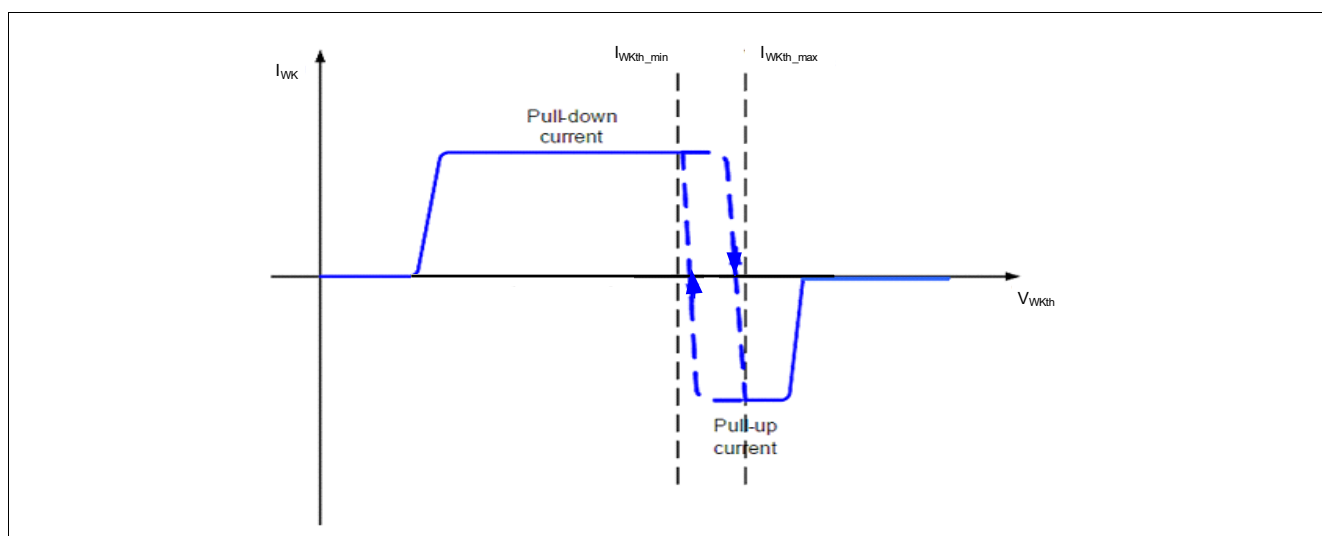


Figure 45 Illustration for Pull-Up / Down Current Sources with Automatic Switching Configuration

Table 28 Wake Detection Configuration and Filter Time

| WKx_FLT_1 | WKx_FLT_0 | Filter Time | Description |
|-----------|-----------|-------------|--|
| 0 | 0 | Config A | static sense, 16 μ s filter time |
| 0 | 1 | Config B | static sense, 64 μ s filter time |
| 1 | 0 | Config C | Cyclic sense, Timer 1, 16 μ s filter time. Period, On-time configurable in register TIMER1_CTRL |
| 1 | 1 | Config D | Cyclic sense, Timer 2, 16 μ s filter time. Period, On-time configurable in register TIMER2_CTRL |

Config A and B are intended for static sense with two different filter times.

Wake and Voltage Monitoring Inputs

Config C or D are intended for cyclic sense configuration. With the filter settings, the respective timer needs to be assigned to one or more HS output, which supplies an external circuit connected to the WKx pin, e.g. HS1 controlled by Timer 2 (HS1 = 010) and connected to WK3 via an switch circuitry - see also [Chapter 5.2](#).

Wake and Voltage Monitoring Inputs

12.2.2 Alternate Measurement Function with WK1 and WK2

12.2.2.1 Block Description

This function provides the possibility to measure a voltage, e.g. the unbuffered battery voltage, with the protected WK1 HV-input. The measured voltage is routed out at WK2. It allows for example a voltage compensation for LED lighting by changing the duty cycle of the High-Side outputs. A simple voltage divider needs to be placed externally to provide the correct voltage level to the microcontroller A/D converter input.

The function is available in SBC Normal Mode and it is disabled in all other modes to allow a low-quiescent current operation. The measurement function can be used instead of the WK1 and WK2 wake and level signalling capability.

The benefits of the function is that the signal is measured by a HV-input pin and that there is no current flowing through the resistor divider during low-power modes.

The functionality is shown in a simplified application diagram in [Figure 65](#).

12.2.2.2 Functional Description

This measurement function is by default disabled. In this case, WK1 and WK2 have the regular wake and voltage level signalization functionality. The switch S1 is open for this configuration (see [Figure 65](#)).

The measurement function can be enabled via the SPI bit [WK_MEAS](#).

If [WK_MEAS](#) is set to '1', then the measurement function is enabled and switch S1 is closed in SBC Normal Mode. S1 is open in all other SBC modes. If this function the pull-up and down currents of WK1 and WK2 are disabled, and the internal WK1 and WK2 signals are gated. In addition, the settings for WK1 and WK2 in the registers [WK_PUPD_CTRL](#), [WK_FLT_CTRL](#) and [WK_CTRL_2](#) are ignored but changing these setting is not prevented. The registers [WK_STAT_1](#) and [WK_LVL_STAT](#) are not updated with respect to the inputs WK1 and WK2.

However, if only WK1 or WK2 are set as wake sources and a SBC Sleep Mode command is set, then the [SPI_FAIL](#) flag will be set and the SBC will be changed into SBC Restart Mode (see [Chapter 5.1](#) also for wake capability of WK1 and WK2).

Table 29 Differences between Normal WK Function and Measurement Function

| Affected Settings/Modules for WK1 and WK2 Inputs | WK_MEAS = 0 | WK_MEAS = 1 |
|--|--|--|
| S1 configuration | 'open' | 'closed' in SBC Normal Mode, 'open' in all other SBC Modes |
| Internal WK1 & WK2 signal processing | Default wake and level signaling function, WK_STAT_1 , WK_STAT_2 are updated accordingly | 'WK1...2 inputs are gated internally, WK_STAT_1 , WK_STAT_2 are not updated |
| WK1_EN , WK2_EN | Wake-up via WK1 and WK2 possible if bits are set | setting the bits is ignored and not prevented. If only WK1_EN , WK2_EN are set while trying to go to SBC Sleep Mode, then the SPI_FAIL flag will be set and the SBC will be changed into SBC Restart Mode. |
| WK_PUPD_CTRL | normal configuration is possible | no pull-up or pull-down enabled |
| WK_FLT_CTRL | normal configuration is possible | setting the bits is ignored and not prevented |

Wake and Voltage Monitoring Inputs

Note: There is a diode in series to the switch S1 (not shown in the [Figure 65](#)), which will influence the temperature behavior of the switch.

12.3 Electrical Characteristics

Table 30 Electrical Characteristics

$V_S = 5.5\text{ V to }28\text{ V}$; $T_j = -40\text{ °C to }+150\text{ °C}$; all voltages with respect to ground, positive current flowing into pin (unless otherwise specified)

| Parameter | Symbol | Values | | | Unit | Note or Test Condition | Number |
|--|-----------------|--------|------|------|---------------|---|-----------|
| | | Min. | Typ. | Max. | | | |
| WK1...WK3 Input Pin Characteristics | | | | | | | |
| Wake-up/monitoring threshold voltage | V_{WKth} | 2 | 3 | 4 | V | without external serial resistor R_S (with R_S : $\Delta V = I_{PD/PU} * R_S$); hysteresis included | P_12.3.1 |
| Threshold hysteresis | $V_{WKNth,hys}$ | 0.1 | - | 0.7 | V | without external serial resistor R_S (with R_S : $\Delta V = I_{PD/PU} * R_S$); | P_12.3.2 |
| WK pin Pull-up Current | I_{PU_WK} | -20 | -10 | -3 | μA | $V_{WK_IN} = 4\text{V}$ | P_12.3.3 |
| WK pin Pull-down Current | I_{PD_WK} | 3 | 10 | 20 | μA | $V_{WK_IN} = 2\text{V}$ | P_12.3.4 |
| Input leakage current | $I_{LK,l}$ | -2 | | 2 | μA | $0\text{ V} < V_{WK_IN} < 40\text{V}$ | P_12.3.5 |
| Drop Voltage across S1 switch | $V_{Drop,S1}$ | - | 1000 | 1100 | mV | ¹⁾ Drop Voltage between WK1 and WK2 when enabled for voltage measurement; $I_{WK1} = 500\mu\text{A}$; $T_j = 25\text{°C}$ Refer to Figure 46 | P_12.3.13 |

Timing

| | | | | | | | |
|-----------------------|------------|----|----|----|---------------|---------------------------|----------|
| Wake-up filter time 1 | t_{FWK1} | 12 | 16 | 20 | μs | ²⁾ SPI Setting | P_12.3.6 |
| Wake-up filter time 2 | t_{FWK2} | 50 | 64 | 80 | μs | ²⁾ SPI Setting | P_12.3.7 |

1) Not subject to production test; specified by design

2) Not subject to production test, tolerance defined by internal oscillator tolerance

Wake and Voltage Monitoring Inputs

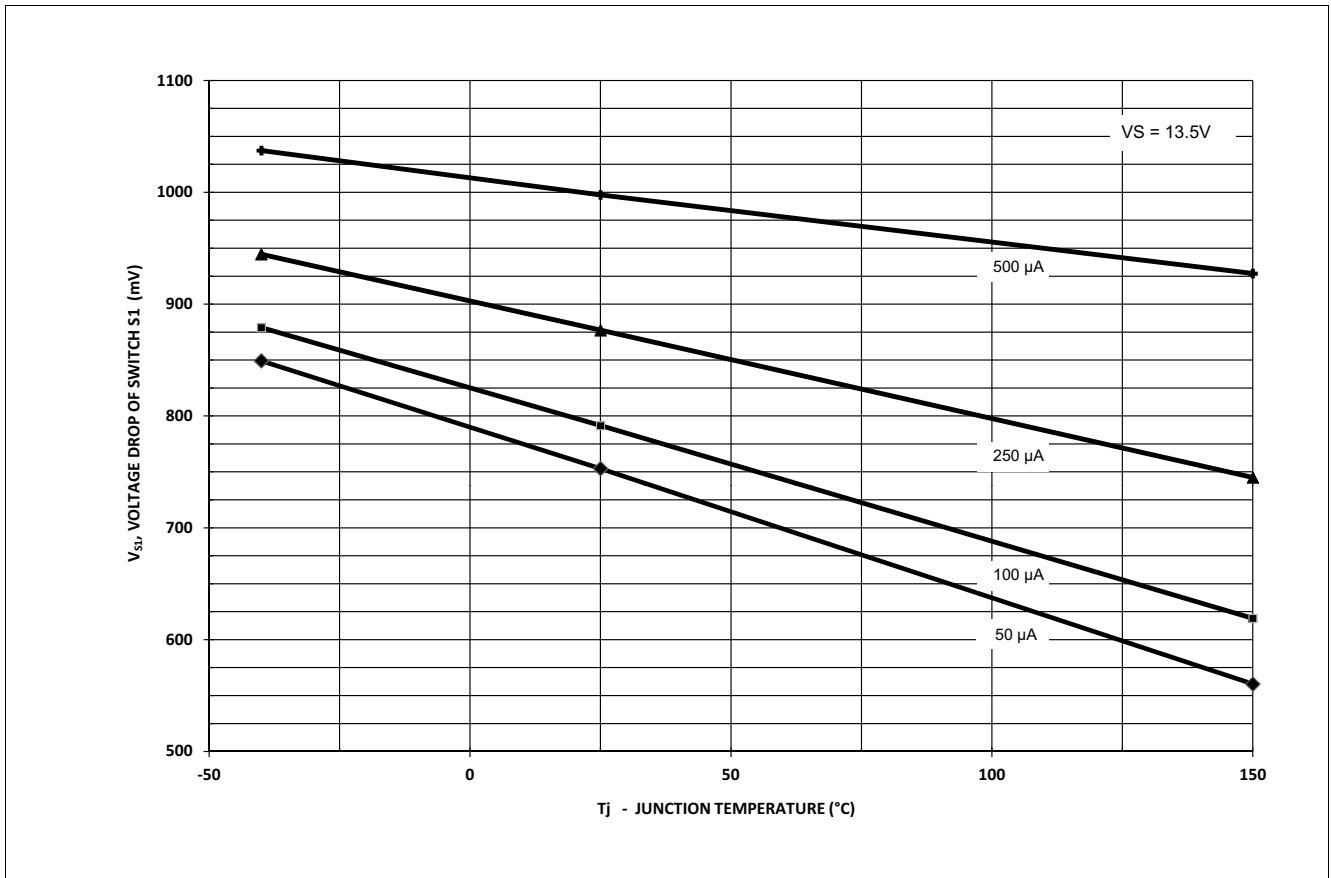


Figure 46 Typical Drop Voltage Characteristics of S1 (between WK1 & WK2)

Interrupt Function

13 Interrupt Function

13.1 Block and Functional Description

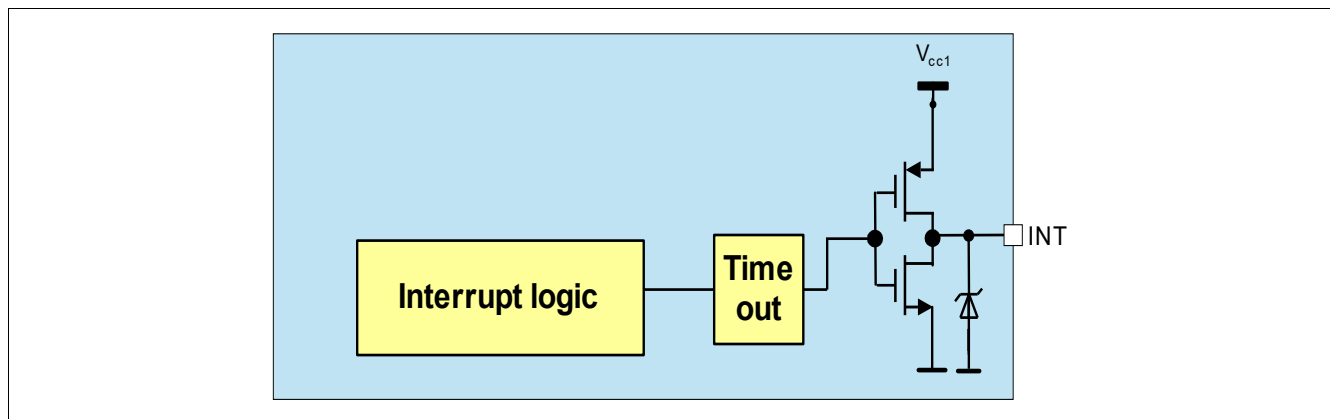


Figure 47 Interrupt Block Diagram

The interrupt is used to signalize special events in real time to the microcontroller. The interrupt block is designed as a push/pull output stage as shown in **Figure 47**. An interrupt is triggered and the INT pin is pulled low (active low) for t_{INT} in SBC Normal and Stop Mode and it is released again once t_{INT} is expired. The minimum HIGH-time of INT between two consecutive interrupts is t_{INTD} . An interrupt does not cause a SBC mode change. Two different interrupt classes could be selected via the SPI bit **INT_GLOBAL**:

- Class 1 (wake interrupt - **INT_GLOBAL**=0): all wake-up events stored in the wake status SPI register (**WK_STAT_1** and **WK_STAT_2**) cause an interrupt (default setting). An interrupt is only triggered if the respective function is also enabled as a wake source (including GPIOx if configured as a wake input). The CAN time out signalization **CANTO** is also considered as a wake source. Therefore, the interrupt mask bit **CANTO_MASK** has higher priority than the bit **INT_GLOBAL**, i.e. Integral is not taken into account for CANTO.
- Class 2 (global interrupt - **INT_GLOBAL**=1): in addition to the wake-up events, all signalled failures stored in the other status registers cause an interrupt (the register **WK_LVL_STAT** is not generating interrupts)

Note: The errors which will cause SBC Restart or SBC Fail-Safe Mode (**Vcc1_UV**, **WD_FAIL**, **VCC1_SC**, **TSD2**, **FAILURE**) are the exceptions of an INT generation on status bits. Also **POR** and **DEV_STAT_x** and will not generate interrupts.

In addition to this behavior, an INT will be triggered when the SBC is sent to SBC Stop Mode and not all bits were cleared in the **WK_STAT_1** and **WK_STAT_2** register.

The SPI status registers are updated at every falling edge of the INT pulse. All interrupt events are stored in the respective register (except the register **WK_LVL_STAT**) until the register is read and cleared via SPI command. A second SPI read after reading out the respective status register is optional but recommended to verify that the interrupt event is not present anymore. The interrupt behavior is shown in **Figure 48** for class 1 interrupts. The behavior for class 2 is identical.

The INT pin is also used during SBC Init Mode to select the hardware configuration of the device. See **Chapter 5.1.1** for further information.

Interrupt Function

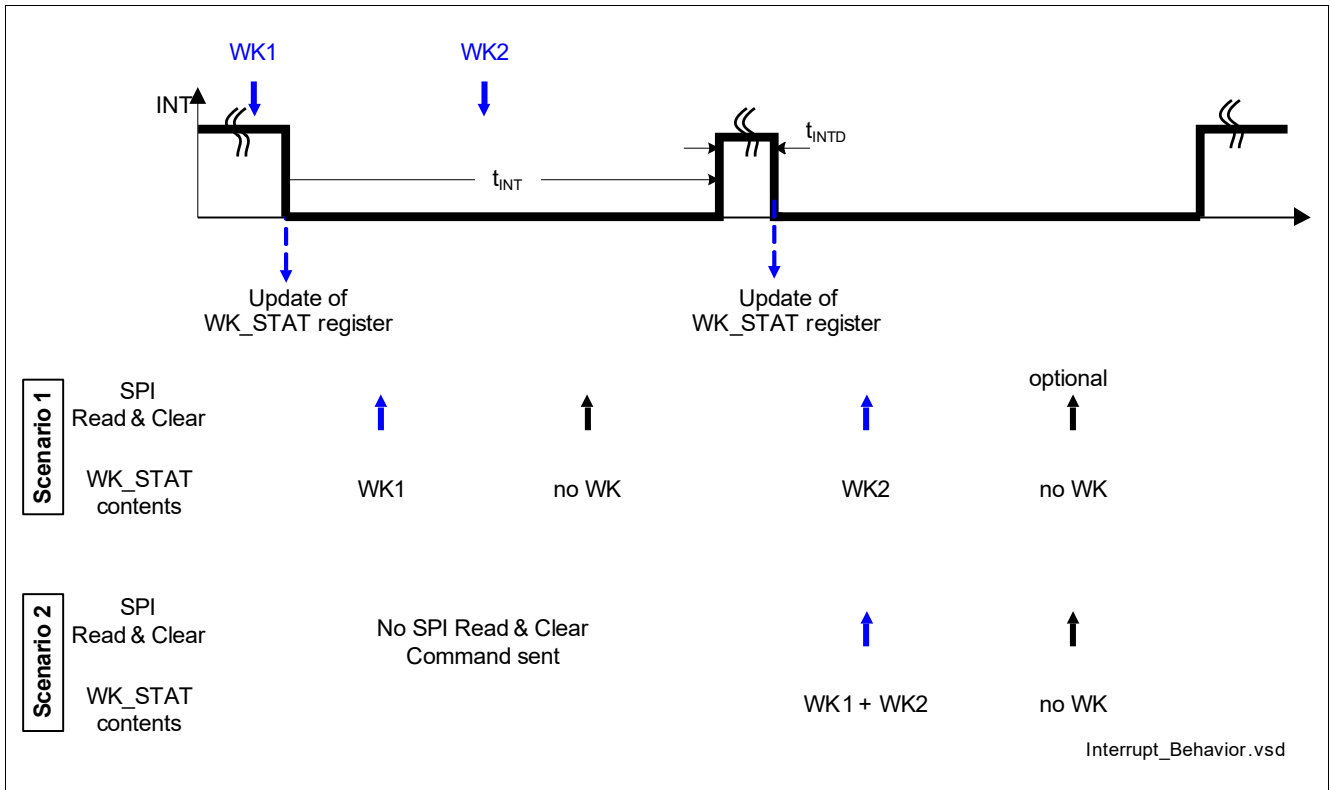


Figure 48 Interrupt Signalization Behavior

Interrupt Function

13.2 Electrical Characteristics

Table 31 Electrical Characteristics

$V_S = 5.5\text{ V to }28\text{ V}$; $T_j = -40\text{ }^\circ\text{C to }+150\text{ }^\circ\text{C}$; SBC Normal Mode; all voltages with respect to ground; positive current defined flowing into pin; unless otherwise specified.

| Parameter | Symbol | Values | | | Unit | Note or Test Condition | Number |
|--------------------------------------|--------------|----------------------|------|----------------------|------------------|--|----------|
| | | Min. | Typ. | Max. | | | |
| Interrupt Output; Pin INT | | | | | | | |
| INT High Output Voltage | $V_{INT,H}$ | $0.8 \times V_{CC1}$ | – | – | V | ¹⁾ $I_{INT} = -1\text{ mA}$; INT = OFF | P_13.2.1 |
| INT Low Output Voltage | $V_{INT,L}$ | – | – | $0.2 \times V_{CC1}$ | V | ¹⁾ $I_{INT} = 1\text{ mA}$; INT = ON | P_13.2.2 |
| INT Pulse Width | t_{INT} | 80 | 100 | 120 | μs | ²⁾ | P_13.2.3 |
| INT Pulse Minimum Delay Time | t_{INTD} | 80 | 100 | 120 | μs | ²⁾ between consecutive pulses | P_13.2.4 |
| Configuration Select; Pin INT | | | | | | | |
| Config Pull-down Resistance | R_{CFG} | 180 | 250 | 350 | $\text{k}\Omega$ | $V_{INT} = 3.3\text{ V}$ | P_13.2.5 |
| Config Select Filter Time | t_{CFG_F} | 5 | 10 | 14 | μs | | P_13.2.6 |

1) Output Voltage Value also determines device configuration during SBC Init Mode

2) Not subject to production test, tolerance defined by internal oscillator tolerance.

Fail Outputs

14 Fail Outputs

14.1 Block and Functional Description

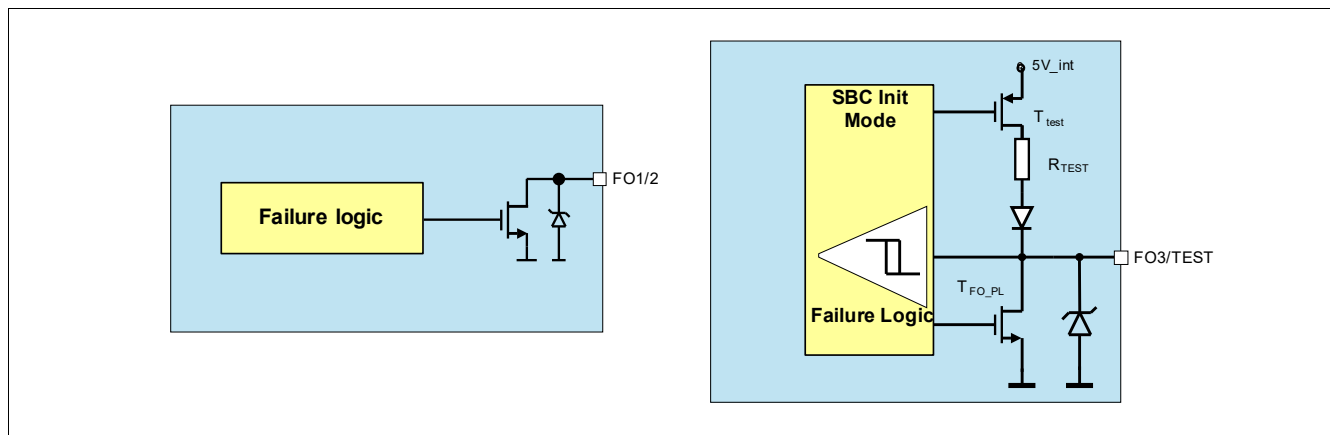


Figure 49 Simplified Fail Output Block Diagram for FO1/2 and for FO3/TEST

The fail outputs consist of a failure logic block and three open-drain outputs (FO1, FO2, FO3) with active-low signalization.

The fail outputs are activated due to following failure conditions:

- Watchdog trigger failure (For config 3&4 only after the 2nd watchdog trigger failure and for config 1&2 after 1st watchdog trigger failure)
- Thermal shutdown TSD2
- VCC1 short to GND
- VCC1 overvoltage (only if the SPI bit **VCC1_OV_RST** is set)
- After 4 consecutive VCC1 undervoltage event (see [Chapter 15.6](#) for details)

At the same time SBC Fail-Safe Mode is entered (exceptions are watchdog trigger failures depending on selected configurations - see [Chapter 5.1.1](#)).

The fail output activation is signalled in the SPI bit **FAILURE** of the register **DEV_STAT**.

For testing purposes only the Fail Outputs can also be activated via SPI by setting the bit **FO_ON**. This bit is independent of the FO failure bits. In case that there is no failure condition, the FO outputs can also be turned off again via SPI, i.e. no successful watchdog trigger is needed.

The entry of SBC Fail-Safe Mode due to a watchdog failure can be configured as described in [Chapter 5.1.1](#).

In order to deactivate the fail outputs in SBC Normal Mode the failure conditions must not be present anymore (e.g. TSD2, VCC1 short circuit, etc) and the bit **FAILURE** needs to be cleared via SPI command.

In case of a watchdog failure the correct procedure to deactivate the fail outputs is:

- a successful WD trigger, i.e. **WD_FAIL** must be cleared
- clearing of the **FAILURE** bit

WD_FAIL will also be cleared when going to SBC Sleep or SBC Fail-Safe Mode due to another failure (not a WD failure) or if the watchdog is disabled in SBC Stop Mode

Fail Outputs

Note: The Fail output pin is triggered for any of the above described failures. No FAILURE is caused for the 1st watchdog failure if selected for Config2.

The three fail outputs are activated simultaneously with following output functionalities:

- FO1: Static fail output
- FO2: 1.25Hz, 50% (typ.) duty cycle, e.g. to generate an indicator signal
- FO3: 100Hz PWM, 20% (typ.) duty cycle, e.g. to generate a dimmed rear light from a break light.

Note: The duty cycle for FO3 can be configured via SPI option to 20%, 10%, 5% or 2.5%. Default value is 20%. See the register **FO_DC** for configuration.

14.1.1 General Purpose I/O Functionality of FO2 and FO3 as Alternate Function

In case that FO2 and FO3 are not used in the application, those pins can also be configured with an alternate function as high-voltage (VSHS related) General Purpose I/O pins.

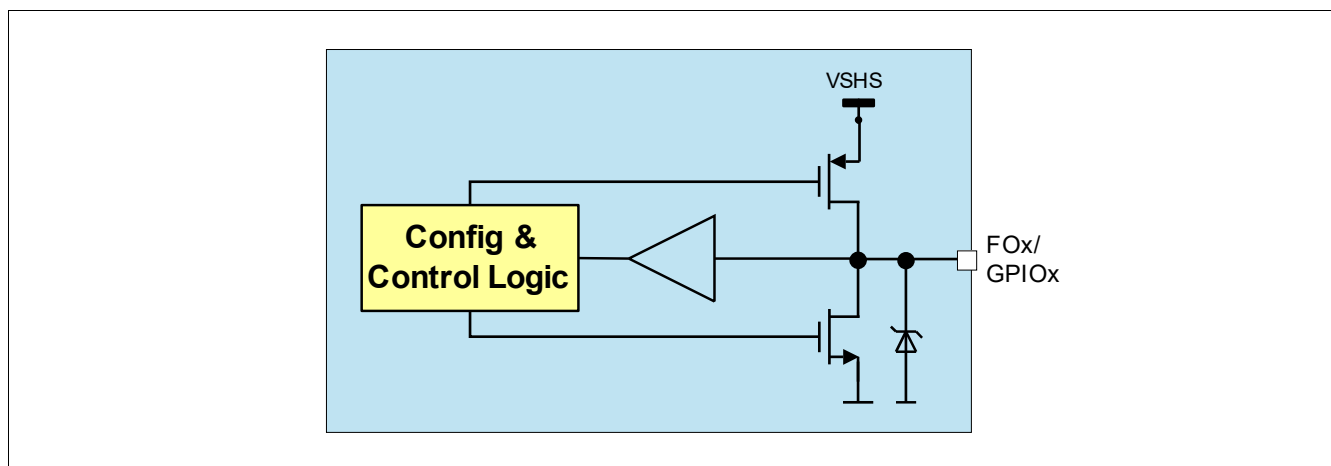


Figure 50 Simplified General Purpose I/O block diagram for FO2 and FO3/TEST

The pins are by default configured as FO pins. The configuration is done via the SPI register **GPIO_CTRL**. The alternate function can be:

- Wake Inputs: The detection threshold $V_{GPIO,th}$ is similar as for the WK inputs. The wake-up detection behavior is the same as for WKx pins. Wake events are stored and reported in **WK_STAT_2**.
- Low-Side Switches: The switch is able to drive currents of up to 10mA (see also $V_{GPIO,L1}$). It is self-protected with regards to current limitation. No other diagnosis is implemented.
- High-Side Switches: The switch is able to drive currents up to 10mA (see also $V_{GPIO,H1}$). It is self-protected with regards to current limitation. No other diagnosis is implemented.
- If configured as GPIO then the respective level at the pin will be shown in **WK_LVL_STAT** in SBC Normal and Stop Mode. This is also the case if configured as LS/HS and can serve as a feedback about the respective state. GPIO2 is shared with the TEST level bit.

Table 32 describes the behavior of the FO/GPIO pins in their different configurations and SBC modes.

Fail Outputs

Table 32 Fail-Output and GPIO configuration behavior during the respective SBC Modes

| FOx Configuration | SBC Normal Mode | SBC Stop Mode | SBC Sleep Mode | SBC Restart Mode | SBC Fail-Safe Mode |
|-------------------|-----------------|---------------|----------------|------------------|--------------------|
| FOx (default) | configurable | fixed | fixed | active / fixed | active |
| OFF | | OFF | OFF | OFF | OFF |
| Wake Input | | wake capable | wake capable | wake capable | OFF |
| Low-Side | | fixed | fixed | OFF | OFF |
| High-Side | | fixed | fixed | OFF | OFF |

Explanation of FO/GPIO states:

- configurable: settings can be changed in this SBC mode
- fixed: settings stay as configured in SBC Normal Mode
- active: FOx is activated due to a failure leading to SBC Restart or Fail-Safe Mode.

Restart Behavior:

The behavior during SBC Restart and Fail-Safe Mode as well as the transition to SBC Normal Mode is as follows:

- if configured as Wake Input: it will stay wake capable during SBC Restart Mode and OFF while in SBC Fail-Safe Mode. It will resume wake capability when leaving SBC Restart Mode (SPI register is not modified)
- if configured as Low-Side or High-Side: They will be disabled during SBC Restart and Fail-Safe Mode. After leaving SBC Restart Mode the previously configured function will be resumed (SPI register is not modified)
- if configured as FO and activated due to a failure: FO will stay activated during SBC Restart Mode and when entering SBC Normal Mode (SPI register is not modified)

Note: In order to avoid unintentional entry of SBC Development Mode care must be taken that the level of FO3/TEST is HIGH during device power up and SBC Init Mode.

Note: The FOx drivers are supplied via VS. However, the GPIO HS switches (FO2, FO3/TEST) are supplied by VSHS

Fail Outputs

14.2 Electrical Characteristics

Table 33 Electrical Characteristics

$V_{SHS} = 5.5\text{ V to }28\text{ V}$; $T_j = -40\text{ °C to }+150\text{ °C}$; SBC Normal Mode; all voltages with respect to ground; positive current defined flowing into pin; unless otherwise specified.¹⁾

| Parameter | Symbol | Values | | | Unit | Note or Test Condition | Number |
|---|------------------|--------|------|------|---------------|--|-----------|
| | | Min. | Typ. | Max. | | | |
| Pin FO1 | | | | | | | |
| FO1 low output voltage (active) | $V_{FO,L1}$ | – | – | 1.0 | V | $I_{FO} = 4\text{ mA}$ | P_14.2.1 |
| FO1 high output current (inactive) | $I_{FO,H}$ | 0 | – | 2 | μA | $V_{FO} = 28\text{ V}$ | P_14.2.2 |
| Pin FO2 | | | | | | | |
| FO2 side indicator frequency | f_{FO2SI} | 1.00 | 1.25 | 1.50 | Hz | ³⁾ | P_14.2.3 |
| FO2 side indicator duty cycle | d_{FO2SI} | 45 | 50 | 55 | % | ³⁾ | P_14.2.4 |
| Pin FO3/TEST²⁾ | | | | | | | |
| Pull-up Resistance at pin FO3/TEST | R_{TEST} | 2.5 | 5 | 10 | k Ω | $V_{TEST} = 0\text{ V}$; SBC Init Mode | P_14.2.5 |
| TEST Input Filter Time | t_{TEST} | 50 | 64 | 80 | μs | ³⁾ | P_14.2.6 |
| FO3 pulsed light frequency | f_{FO3PL} | 80 | 100 | 120 | Hz | ³⁾ | P_14.2.7 |
| FO3 pulsed light duty cycle | d_{FO3PL} | 16 | 20 | 24 | % | ³⁾⁴⁾ default setting | P_14.2.8 |
| Alternate FO2...3 | | | | | | | |
| Electrical Characteristics: GPIO | | | | | | | |
| GPIO low-side output voltage (active) | $V_{GPIO,L1}$ | – | – | 1 | V | $I_{GPIO} = 10\text{ mA}$ | P_14.2.9 |
| GPIO low-side output voltage (active) | $V_{GPIO,L2}$ | – | – | 5 | mV | ⁵⁾ $I_{GPIO} = 50\text{ }\mu\text{A}$ | P_14.2.17 |
| GPIO high-side output voltage (active) | $V_{GPIO,H1}$ | VSHS-1 | – | – | V | $I_{GPO} = -10\text{ mA}$ | P_14.2.10 |
| GPIO high-side output voltage (active) | $V_{GPIO,H2}$ | VSHS-5 | – | – | mV | ⁵⁾ $I_{GPO} = -50\text{ }\mu\text{A}$ | P_14.2.18 |
| GPIO input threshold voltage | $V_{GPIO,th}$ | 1.5 | 2.5 | 3.5 | V | ⁶⁾ hysteresis included | P_14.2.11 |
| GPIO input threshold hysteresis | $V_{GPIO,hys}$ | 100 | 400 | 700 | mV | ⁵⁾ | P_14.2.12 |
| GPIO low-side current limitation | $I_{GPIO,max}$ | 10 | – | 30 | mA | $V_{GPIO} = 28\text{ V}$ | P_14.2.13 |
| GPIO high-side current limitation | $I_{GPIO,H,max}$ | -45 | – | -10 | mA | $V_{GPIO} = 0\text{ V}$ | P_14.2.14 |

Fail Outputs

- 1) The FOx drivers are supplied via VS. However, the GPIO HS switches (FO2, FO3/TEST) are supplied by VSHS
- 2) The external capacitance on this pin must be limited to less than 10nF to ensure proper detection of SBC Development Mode and SBC User Mode operation.
- 3) Not subject to production test, tolerance defined by internal oscillator tolerance.
- 4) The duty cyclic is adjustable via the SPI bits **FO_DC**.
- 5) Not subject to production test, specified by design.
- 6) Applies also for TEST voltage input level

15 Supervision Functions

15.1 Reset Function

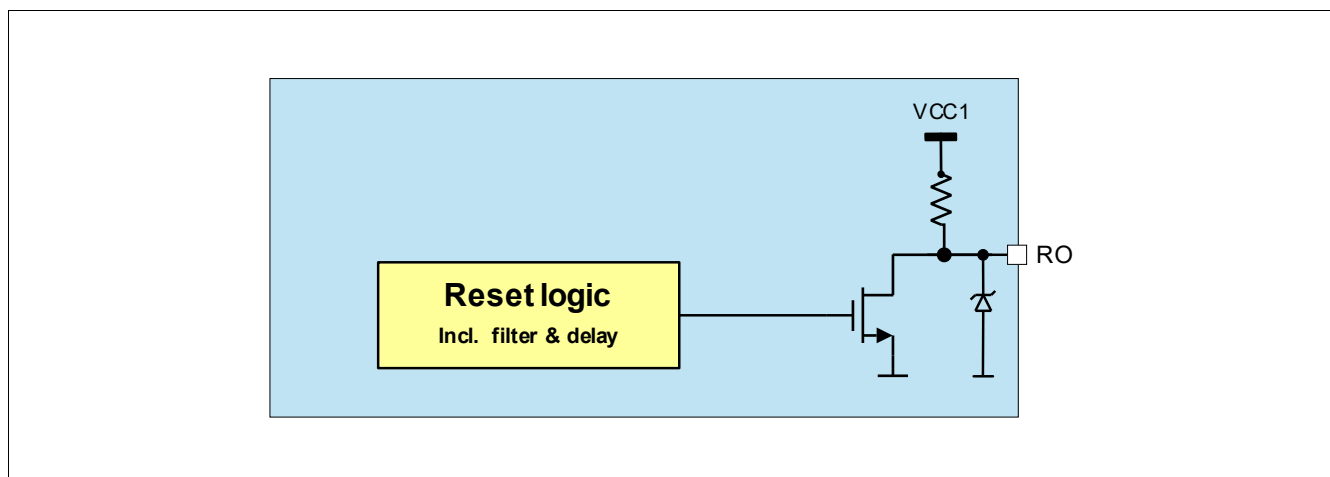


Figure 51 Reset Block Diagram

15.1.1 Reset Output Description

The reset output pin RO provides a reset information to the microcontroller, for example, in the event that the output voltage has fallen below the undervoltage threshold $V_{RT1/2/3/4}$. In case of a reset event, the reset output RO is pulled to low after the filter time t_{RF} and stays low as long as the reset event is present plus a reset delay time t_{RD1} . When connecting the SBC to battery voltage, the reset signal remains LOW initially. When the output voltage V_{CC1} has reached the reset default threshold $V_{RT1,r}$, the reset output RO is released to HIGH after the reset delay time t_{RD1} . A reset can also occur due to a watchdog trigger failure. The reset threshold can be adjusted via SPI, the default reset threshold is $V_{RT1,f}$. The RO pin has an integrated pull-up resistor. In case reset is triggered, it will be pulled low for $V_{CC1} \geq 1V$ and for $V_S \geq V_{POR,f}$ (see also [Chapter 15.3](#)).

The timings for the RO triggering regarding VCC1 undervoltage and watchdog trigger is shown in [Figure 52](#).

Supervision Functions

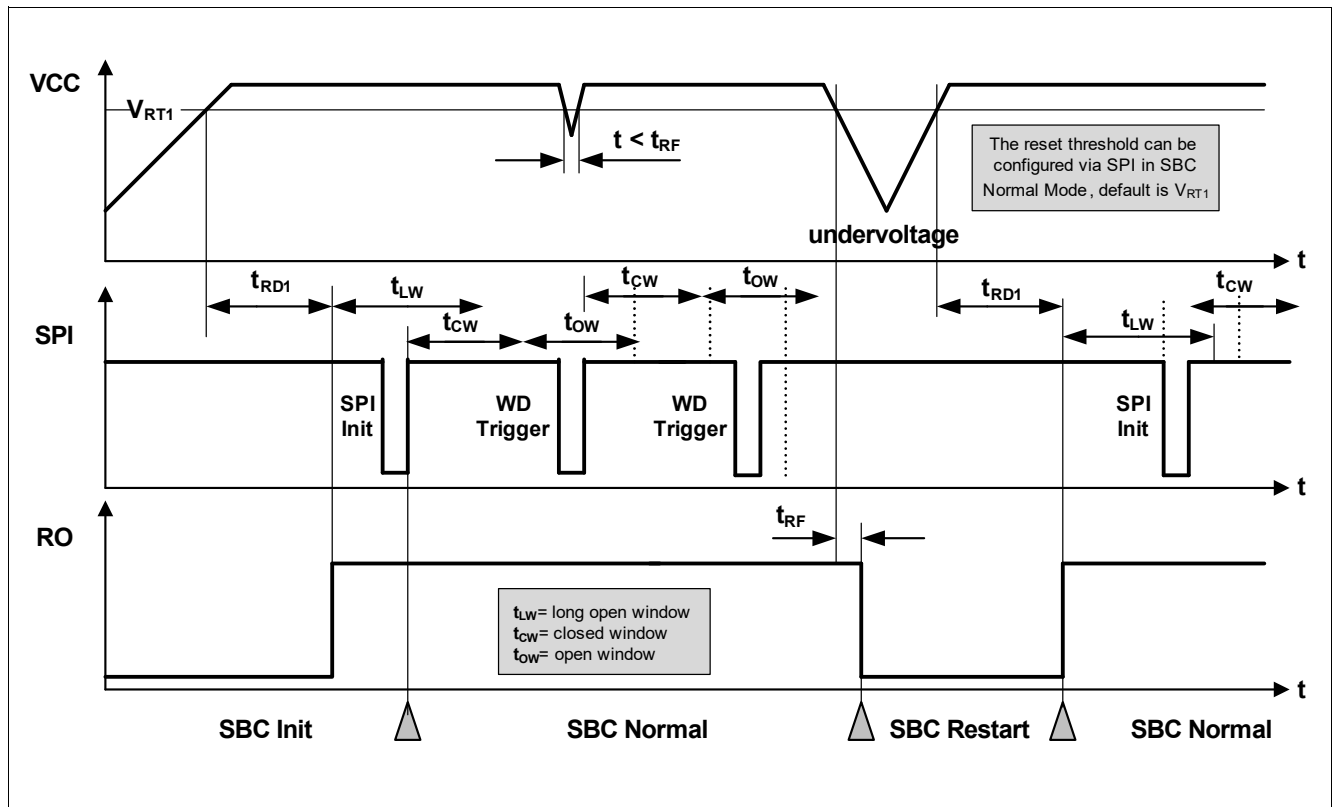


Figure 52 Reset Timing Diagram

15.1.2 Soft Reset Description

In SBC Normal and SBC Stop Mode, it is also possible to trigger a device internal reset via a SPI command in order to bring the SBC into a defined state in case of failures. In this case the microcontroller must send a SPI command and set the **MODE** bits to '11' in the **M_S_CTRL** register. As soon as this command becomes valid, the SBC is set back to SBC INIT Mode and all SPI registers are set to their default values (see SPI [Chapter 16.5](#) and [Chapter 16.6](#)).

Two different soft reset configurations are possible via the SPI bit **SOFT_RESET_RO**:

- The reset output (RO) is triggered when the soft reset is executed (default setting, the same reset delay time **t_{RD1}** applies)
- The reset output (RO) is not triggered when the soft reset is executed

Note: The device must be in SBC Normal Mode or SBC Stop Mode when sending this command. Otherwise, the command will be ignored.

Supervision Functions

15.2 Watchdog Function

The watchdog is used to monitor the software execution of the microcontroller and to trigger a reset if the microcontroller stops serving the watchdog due to a lock up in the software.

Two different types of watchdog functions are implemented and can be selected via the bit **WD_WIN**:

- Time-Out Watchdog (default value)
- Window Watchdog

The respective watchdog functions can be selected and programmed in SBC Normal Mode. The configuration stays unchanged in SBC Stop Mode.

Please refer to **Table 34** to match the SBC Modes with the respective watchdog modes.

Table 34 Watchdog Functionality by SBC Modes

| SBC Mode | Watchdog Mode | Remarks |
|--------------|------------------------------|--|
| INIT Mode | Starts with Long Open Window | Watchdog starts with Long Open Window after RO is released |
| Normal Mode | WD Programmable | Window Watchdog, Time-Out watchdog or switched OFF for SBC Stop Mode |
| Stop Mode | Watchdog is fixed or OFF | |
| Sleep Mode | OFF | SBC will start with Long Open Window when entering SBC Normal Mode. |
| Restart Mode | OFF | SBC will start with Long Open Window when entering SBC Normal Mode. |

The watchdog timing is programmed via SPI command. As soon as the watchdog is programmed, the timer starts with the new setting and the watchdog must be served. The watchdog is triggered by sending a valid SPI-write command to the watchdog configuration register. The trigger SPI command is executed when the Chip Select input (CSN) becomes HIGH.

When coming from SBC Init, SBC Restart Mode or in certain cases from SBC Stop Mode, the watchdog timer is always started with a long open window. The long open window ($t_{LW} = 200\text{ms}$) allows the microcontroller to run its initialization sequences and then to trigger the watchdog via SPI.

The watchdog timer period can be selected via the watchdog timing bit field (**WD_TIMER**) and is in the range of 10 ms to 1000 ms. This setting is valid for both watchdog types.

The following watchdog timer periods are available:

- WD Setting 1: 10ms
- WD Setting 2: 20ms
- WD Setting 3: 50ms
- WD Setting 4: 100ms
- WD Setting 5: 200ms
- WD Setting 6: 500ms
- WD Setting 7: 1000ms

In case of a watchdog reset, SBC Restart or SBC Fail-Safe Mode is entered according to the configuration and the SPI bits **WD_FAIL** are set. Once the RO goes HIGH again the watchdog immediately starts with a long open window the SBC enters automatically SBC Normal Mode.

In SBC Development Mode the watchdog is OFF and therefore no reset and interrupt are generated due to a watchdog failure.

Supervision Functions

Depending on the configuration, the **WD_FAIL** bits will be set after a watchdog trigger failure as follows:

- In case an incorrect WD trigger is received (triggering in the closed watchdog window or when the watchdog counter expires without a valid trigger) then the **WD_FAIL** bits will be increased (showing the number of incorrect WD triggers)
- For config 2: the bits can have the maximum value of '01'
- For config 1, 3 and 4: the bits can have the maximum value of '10'

The **WD_FAIL** bits are cleared automatically when following conditions apply:

- After a successful watchdog trigger
- When the watchdog is OFF: in SBC Stop Mode after successfully disabling it, in SBC Sleep Mode, or in SBC Fail-Safe Mode (except for a watchdog failure)

15.2.1 Time-Out Watchdog

The time-out watchdog is an easier and less secure watchdog than a window watchdog as the watchdog trigger can be done at any time within the configured watchdog timer period.

A correct watchdog service immediately results in starting a new watchdog timer period. Taking the tolerances of the internal oscillator into account leads to the safe trigger area as defined in **Figure 53**.

If the time-out watchdog period elapses, a watchdog reset is created by setting the reset output RO low and the SBC switches to SBC Restart or SBC Fail-Safe Mode.

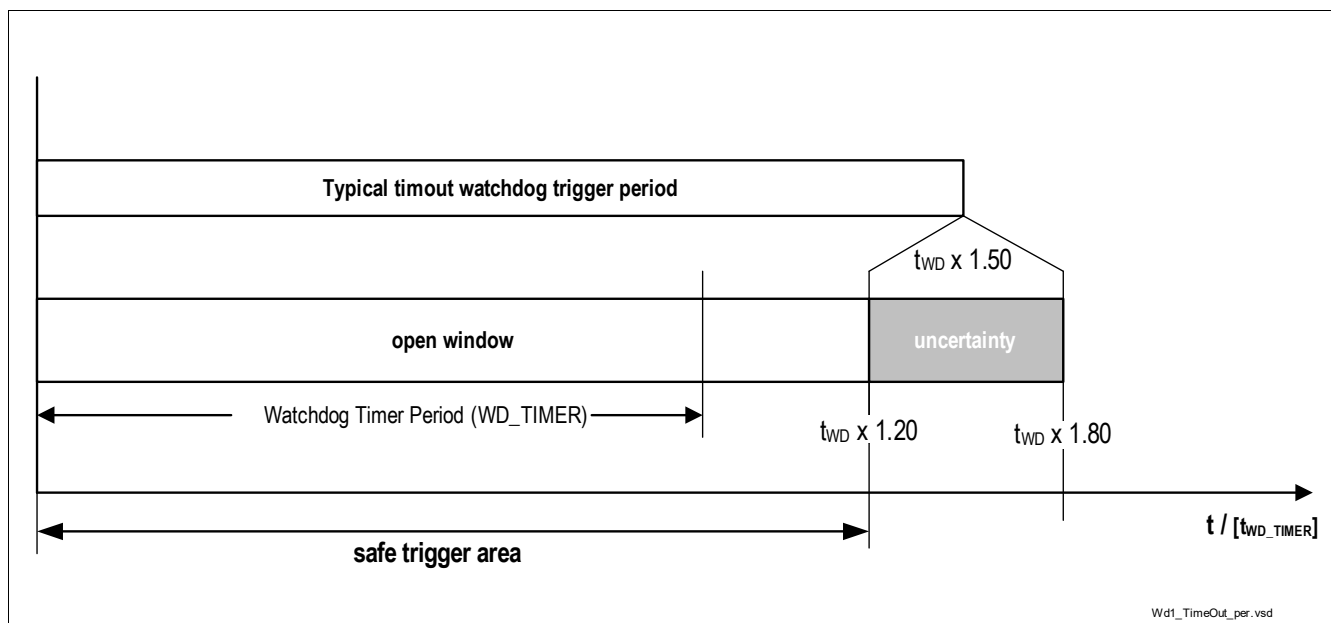


Figure 53 Time-out Watchdog Definition

Supervision Functions

15.2.2 Window Watchdog

Compared to the time-out watchdog the characteristic of the window watchdog is that the watchdog timer period is divided between an closed and an open window. The watchdog must be triggered within the open window.

A correct watchdog trigger results in starting the window watchdog period by a closed window followed by an open window.

The watchdog timer period is at the same time the typical trigger time and defines the middle of the open window. Taking the oscillator tolerances into account leads to a safe trigger area of:

$$t_{WD} \times 0.72 < \text{safe trigger area} < t_{WD} \times 1.20.$$

The typical closed window is defined to a width of 60% of the selected window watchdog timer period. Taking the tolerances of the internal oscillator into account leads to the timings as defined in **Figure 54**.

A correct watchdog service immediately results in starting the next closed window.

Should the trigger signal meet the closed window or should the watchdog timer period elapse, then a watchdog reset is created by setting the reset output RO low and the SBC switches to SBC Restart or SBC Fail-Safe Mode.

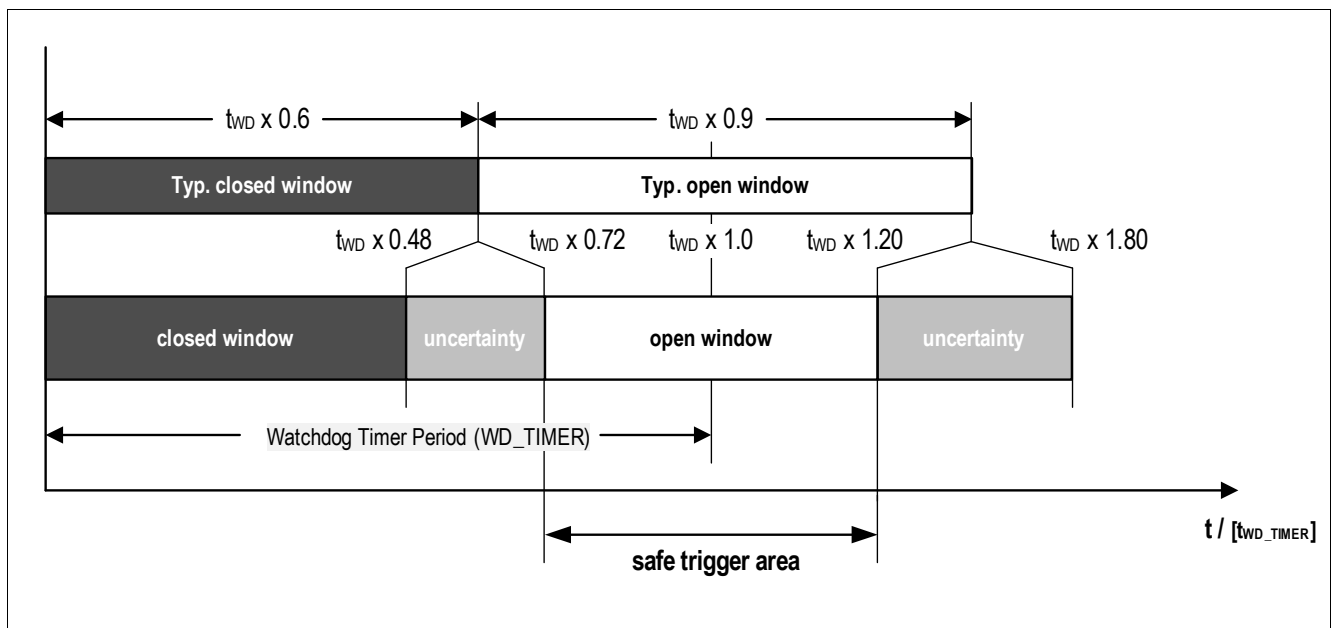


Figure 54 Window Watchdog Definition

Supervision Functions**15.2.3 Watchdog Setting Check Sum**

A check sum bit is part of the SPI command to trigger the watchdog and to set the watchdog setting.

The sum of the 8 data bits in the register WWD_CTRL needs to have even parity (see **Equation (15.1)**). This is realized by either setting the bit **CHECKSUM** to 0 or 1. If the check sum is wrong, then the SPI command is ignored, i.e. the watchdog is not triggered or the settings are not changed and the bit SPI_FAIL is set.

The checksum is calculated by taking all 8 data bits into account. The written value of the reserved bit 3 of the WWD_CTRL register is considered (even if read as '0' in the SPI output) for checksum calculation, i.e. if a 1 is written on the reserved bit position, then a 1 will be used in the checksum calculation.

(15.1)

$$\text{CHKSUM} = \text{Bit15} \oplus \dots \oplus \text{Bit8}$$

Supervision Functions

15.2.4 Watchdog during SBC Stop Mode

The watchdog can be disabled for SBC Stop Mode in SBC Normal Mode. For safety reasons, there is a special sequence to be followed in order to disable the watchdog as described in [Figure 55](#). Two different SPI bits ([WD_STM_EN_0](#), [WD_STM_EN_1](#)) in the registers [WK_CTRL_1](#) and [WD_CTRL](#) need to be set.

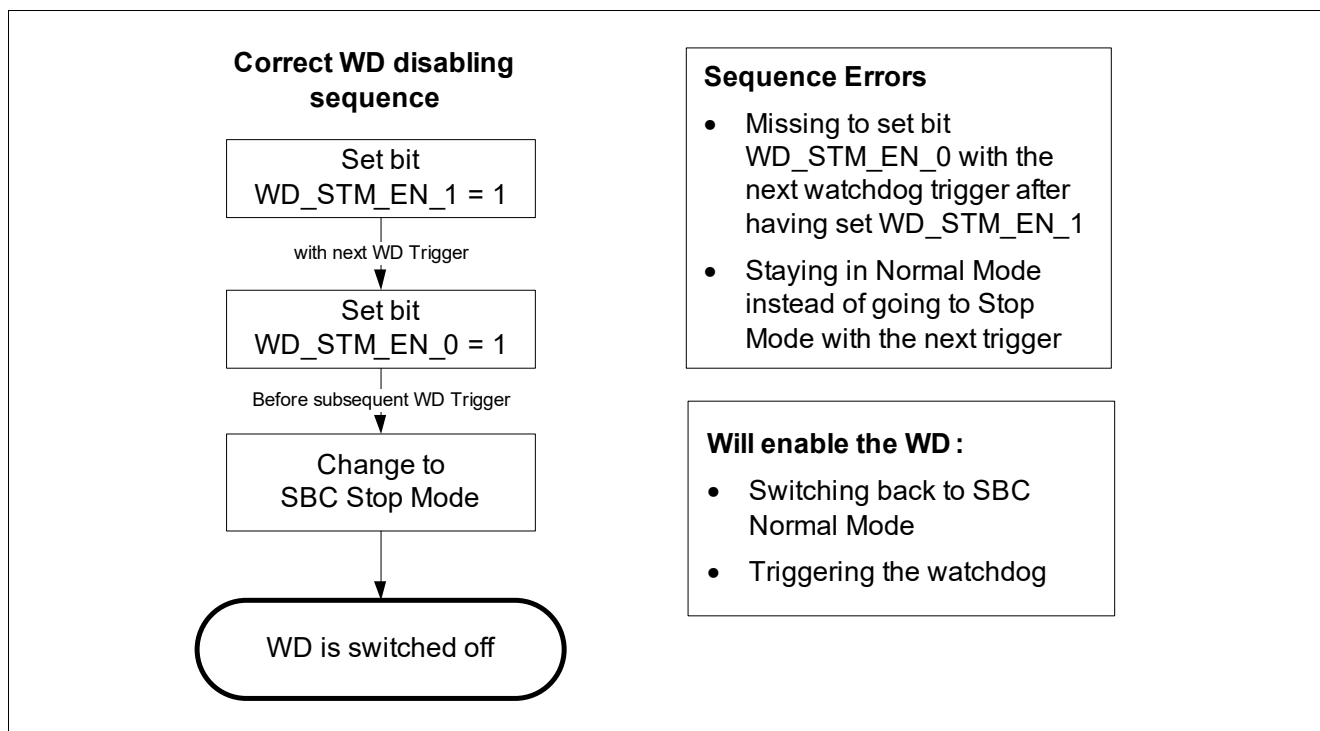


Figure 55 Watchdog disabling sequence in SBC Stop Mode

If a sequence error occurs, then the bit [WD_STM_EN_1](#) will be cleared and the sequence has to be started again.

The watchdog can be enabled by triggering the watchdog in SBC Stop Mode or by switching back to SBC Normal Mode via SPI command. In both cases the watchdog will start with a long open window and the bits [WD_STM_EN_1](#) and [WD_STM_EN_0](#) are cleared. After the long open window the watchdog has to be served as configured in the [WD_CTRL](#) register.

Note: The bit [WD_STM_EN_0](#) will be cleared automatically when the sequence is started and it was 1 before.

Supervision Functions

15.2.5 Watchdog Start in SBC Stop Mode due to Bus Wake

In SBC Stop Mode the Watchdog can be disabled. In addition a feature is available which will start the watchdog with any BUS wake (CAN or LIN) during SBC Stop Mode. The feature is enabled by setting the bit **WD_EN_WK_BUS** = 1

(= default value after POR). The bit can only be changed in SBC Normal Mode and needs to be programmed before starting the watchdog disable sequence.

A wake on CAN and LINx will generate an interrupt and the RXD pin for LINx or CAN is pulled to low. By these signals the microcontroller is informed that the watchdog is started with a long open window. After the long open window the watchdog has to be served as configured in the **WD_CTRL** register.

To disable the watchdog again, the SBC needs to be switched to Normal Mode and the sequence needs to be sent again.

Supervision Functions

15.3 VS Power On Reset

At power up of the device, the VS Power on Reset is detected when $VS > V_{POR,r}$ and the SPI bit **POR** is set to indicate that all SPI registers are set to POR default settings. VCC1 is starting up and the reset output will be kept LOW and will only be released once VCC1 has crossed $V_{RT1,r}$ and after t_{RD1} has elapsed.

In case $VS < V_{POR,f}$ an device internal reset will be generated and the SBC is switched OFF and will restart in INIT mode at the next VS rising. This is shown in **Figure 56**.

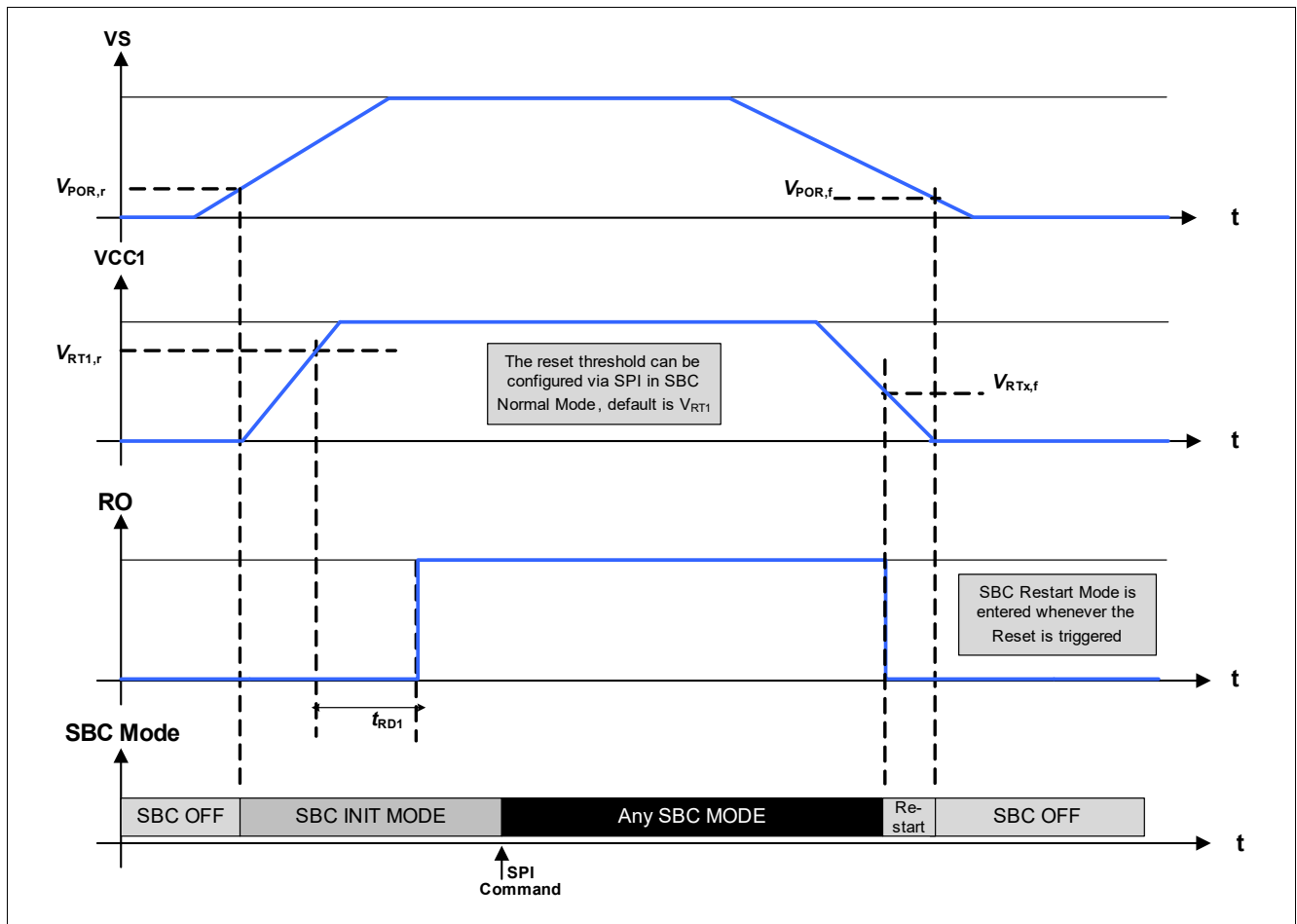


Figure 56 Ramp up / down example of Supply Voltage

Supervision Functions

15.4 Undervoltage VS and VSHS

If the supply voltage VS reaches the undervoltage threshold $V_{S,UV}$ then the SBC does the following measures:

- SPI bit **VS_UV** is set. No other error bits are set. The bit can be cleared once the condition is not present anymore,
- VCC3 is disabled (see [Chapter 8.2](#)) unless the control bit **VCC3_VS_UV_OFF** is set
- The VCC1 short circuit protection becomes inactive (see [Chapter 15.7](#)). However, the thermal protection of the device remains active.

If the undervoltage threshold is exceeded (VS rising) then functions will be automatically enabled again.

If the supply voltage VSHS passes below the undervoltage threshold ($V_{SHS,UV}$) the SBC does the following measures:

- HS1...4 are acting accordingly to the SPI setting (see [Chapter 9](#))
- LINx: Transmitter and Receiver are disabled during the VSHS undervoltage condition (see [Chapter 11.2.7](#));
- SPI bit **VSHS_UV** is set. No other error bits are set. The bit can be cleared once the condition is not present anymore,
- VCC1, VCC2, WKx and CAN are not affected by VSHS undervoltage

15.5 Overvoltage VSHS

If the supply voltage VSHS reaches the overvoltage threshold ($V_{SHS,OVD}$) the SBC triggers the following measures:

- HS1...4 are acting accordingly to the SPI setting (see [Chapter 9](#))
- SPI bit **VSHS_OV** is set. No other error bits are set. The bit can be cleared once the condition is not present anymore,
- VCC1, VCC2, VCC3, WKx, LIN and CAN are not affected by VS overvoltage

15.6 VCC1 Over-/ Undervoltage and Undervoltage Prewarning

15.6.1 VCC1 Undervoltage and Undervoltage Prewarning

A first-level voltage detection threshold is implemented as a prewarning for the microcontroller. The prewarning event is signaled with the bit **VCC1_WARN**. No other actions are taken.

As described in [Chapter 15.1](#) and [Figure 57](#), a reset will be triggered (RO pulled 'low') when the V_{CC1} output voltage falls below the selected undervoltage threshold (V_{RTX}). The bit **VCC1_UV** is set and the SBC will enter SBC Restart Mode.

Note: The **VCC1_WARN** or **VCC1_UV** bits are not set in Sleep Mode as $V_{CC1} = 0V$ in this case

Supervision Functions

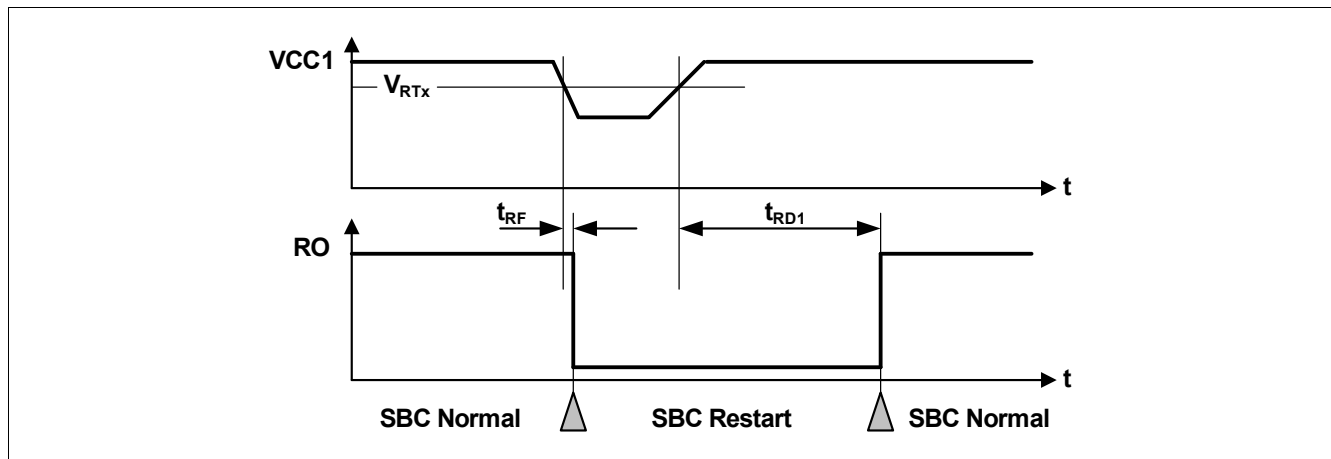


Figure 57 VCC1 Undervoltage Timing Diagram

An additional safety mechanism is implemented to avoid repetitive VCC1 undervoltage resets due to high dynamic loads on VCC1:

- A counter is increased for every consecutive VCC1 undervoltage event (regardless on the selected reset threshold),
- The counter is active in SBC Init-, Normal-, and Stop Mode,
- For $V_S < V_{S,UV}$ the counter will be stopped in SBC Normal Mode (i.e. the VS UV comparator is always enabled in SBC Normal Mode),
- A 4th consecutive VCC1 undervoltage event will lead to SBC Fail-Safe Mode entry and to setting the bit **VCC1_UV_FS**
- This counter is cleared:
 - when SBC Fail-Safe Mode is entered,
 - when the bit **VCC1_UV** is cleared,
 - when a Soft Reset is triggered.

Note: It is recommended to clear the VCC1_UV bit once it was set and detected.

15.6.2 VCC1 Overvoltage

For fail-safe reasons a configurable VCC1 overvoltage detection feature is implemented for SBC Init- and Normal Mode.

In case the $V_{CC1,OV,r}$ threshold is crossed, the SBC triggers following measures depending on the configuration:

- The bit **VCC1_OV** is always set;
- If the bit **VCC1_OV_RST** is set and **CFGP** = '1', then SBC Restart Mode is entered. The FOx outputs are activated. After the reset delay time (t_{RD1}), the SBC Restart Mode is left and SBC Normal Mode is resumed even if the VCC1 overvoltage event is still present (see also **Figure 58**). The **VCC1_OV_RST** bit is cleared automatically;
- If the bit **VCC1_OV_RST** is set and **CFGP** = '0', then SBC Fail-Safe Mode is entered and FOx outputs are activated.

Note: Before entering SBC Stop Mode the bit **VCC1_OV_RST** must be set to '0' to avoid unintentional SBC Restart or Fail-Safe Mode entry. The status bit **VCC1_OV** could be set unintentionally. The reason is

Supervision Functions

that external noise could be coupled into the VCC1 supply line. Especially, in case the VCC1 output current in SBC STOP Mode is below the active peak threshold ($I_{VCC1, I_{peak}}$).

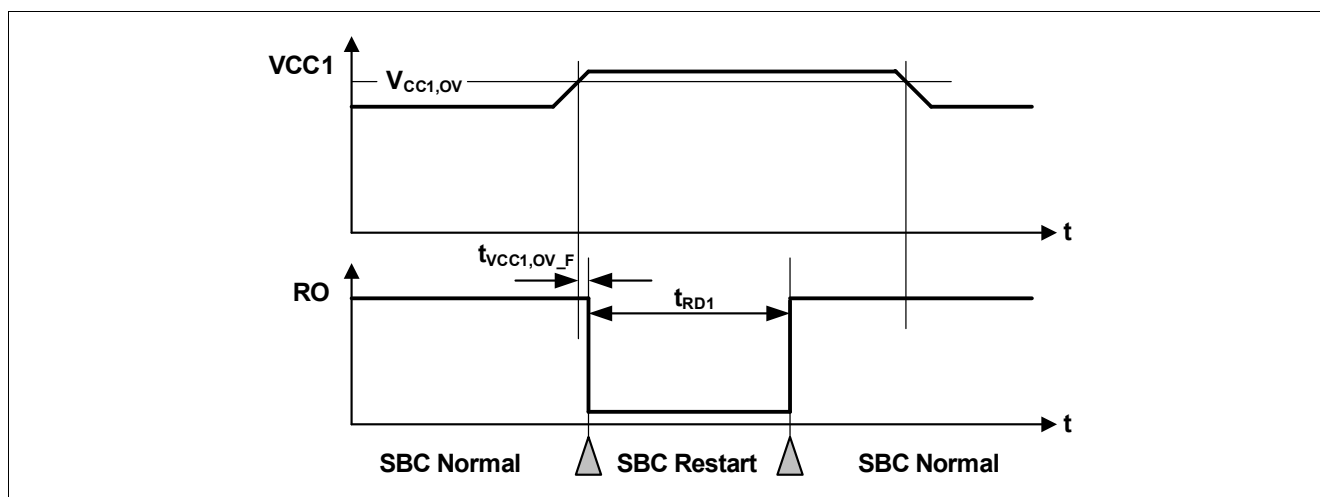


Figure 58 VCC1 Overvoltage Timing Diagram

15.7 VCC1 Short Circuit and VCC3 Diagnostics

The short circuit protection feature for V_{CC1} is implemented as follows (V_S needs to be higher than $V_{S,UV}$):

- If V_{CC1} is not above the V_{RTX} within $t_{VCC1,SC}$ after device power up or after waking from SBC Sleep Mode then the SPI bit **VCC1_SC** is set, V_{CC1} is turned OFF, the FOx pins are enabled, **FAILURE** is set and SBC Fail-Safe Mode is entered. The SBC can be activated again via wake on CAN, LINx, WKx.
- The same behavior applies, if V_{CC1} falls below V_{RTX} for longer than $t_{VCC1,SC}$.

VCC3 diagnosis features are implemented as follows:

- Load Sharing: The external PNP is disabled when $V_S < V_{S,UV}$ if $VCC3_VS_UV_OFF = 0$ or when in SBC Stop Mode if **VCC3_LS_STP_ON** = '0'. All other diagnostic features are disabled because they are provided via VCC1.
- Stand-alone configuration: The external PNP is disabled when $V_{CC3} < V_{S,UV}$ if $VCC3_VS_UV_OFF = 0$. The overcurrent limitation is signalled via the bit **VCC3_OC** according to the selected shunt resistor, VCC3 undervoltage is signalled via the bit **VCC3_UV** and the regulator is disabled due to V_S undervoltage when $V_{S,UV}$ is reached.

Note: Neither **VCC1_SC** nor **VCC3_UV** flags are set during power up of V_{CC1} or turn on of V_{CC3} respectively.

15.8 VCC2 Undervoltage and VCAN Undervoltage

An undervoltage warning is implemented for VCC2 and VCAN as follows:

- V_{CC2} undervoltage Detection: In case V_{CC2} will drop below the $V_{CC2,UV,f}$ threshold, then the SPI bit **VCC2_UV** is set and can be only cleared via SPI.
- V_{CAN} undervoltage Detection: In case the voltage on V_{CAN} will drop below the V_{CAN_UV} threshold, then the SPI bit **VCAN_UV** is set and can be only cleared via SPI.

Note: The **VCC2_UV** flag is not set during turn-on or turn-off of V_{CC2} .

Supervision Functions

15.9 Thermal Protection

Three independent and different thermal protection features are implemented in the SBC according to the system impact:

- Individual thermal shutdown of specific blocks
- Temperature prewarning of main microcontroller supply VCC1
- SBC thermal shutdown due to VCC1 overtemperature

15.9.1 Individual Thermal Shutdown

As a first-level protection measure the output stages VCC2, CAN, LINx, and HSx are independently switched OFF if the respective block reaches the temperature threshold T_{jTSD1} . Then the **TSD1** bit is set. This bit can only be cleared via SPI once the overtemperature is not present anymore. Independent of the SBC Mode the thermal shutdown protection is only active if the respective block is ON.

The respective modules behave as follows:

- VCC2: Is switched to OFF and the control bits **VCC2_ON** are cleared. The status bit **VCC2_OT** is set. Once the overtemperature condition is not present anymore, then VCC2 has to be configured again by SPI.
- VCC3 as a stand-alone regulator: Is switched to OFF and the control bits **VCC3_ON** are cleared. The status bit **VCC3_OT** is set. Once the overtemperature condition is not present anymore VCC3 has to be configured again by SPI. It is recommended to clear the **VCC3_OT** bit before enabling the regulator again.
- VCC3 in load sharing configuration: in case of overtemperature at VCC3 the bit **VCC3_OT** is set and VCC3 is switched off. The regulator will be switched on again automatically once the overtemperature event is not present anymore. Also in this case it is recommended to clear the **VCC3_OT** bit right away.
- CAN: The transmitter is disabled and stays in CAN Normal Mode acting like CAN Receive only mode. The status bits **CAN_FAIL** = '01' are set. Once the overtemperature condition is not present anymore, then the CAN transmitter is automatically switched on.
- LINx: The transmitter is disabled and stays in LIN Normal Mode acting like LIN Receive only mode. The status bit **LIN1_FAIL** respectively set to '01'. Once the overtemperature condition is not present anymore, then the LIN transmitter is automatically switched on.
- HSx: If one or more HSx switches reach the TSD1 threshold, then all HSx switches are turned OFF and the control bits for HSx are cleared (see registers **HS_CTRL1** and **HS_CTRL2**). The status bits HSx_OC_OT are set (see register **HS_OC_OT_STAT**). Once the overtemperature condition is not present anymore, then HSx has to be configured again by SPI.

Note: The diagnosis bits are not cleared automatically and have to be cleared via SPI once the overtemperature condition is not present anymore.

Supervision Functions

15.9.2 Temperature Prewarning

As a next level of thermal protection a temperature prewarning is implemented if the main supply VCC1 reaches the thermal prewarning temperature threshold T_{jPW} . Then the status bit **TPW** is set. This bit can only be cleared via SPI once the overtemperature is not present anymore. Independent of the SBC Mode the thermal prewarning is only active if the VCC1 is ON.

15.9.3 SBC Thermal Shutdown

As a highest level of thermal protection a temperature shutdown of the SBC is implemented if the main supply VCC1 reaches the thermal shutdown temperature threshold T_{jTSD2} . Once a TSD2 event is detected SBC Fail-Safe Mode is entered for t_{TSD2} to allow the device to cool down. After this time has expired, the SBC will automatically change via SBC Restart Mode to SBC Normal Mode (see also [Chapter 5.1.6](#)).

When a TSD2 event is detected, then the status bit **TSD2** is set. This bit can only be cleared via SPI in SBC Normal Mode once the overtemperature is not present anymore. Independent of the SBC Mode the thermal shutdown is only active if VCC1 is ON.

Supervision Functions

15.10 Electrical Characteristics

Table 35 Electrical Specification

$V_S = 5.5\text{ V to }28\text{ V}$; $T_j = -40\text{ °C to }+150\text{ °C}$; SBC Normal Mode; all voltages with respect to ground; positive current defined flowing into pin; unless otherwise specified.

| Parameter | Symbol | Values | | | Unit | Note or Test Condition | Number |
|---|----------------|--------|------|------|------|---|------------|
| | | Min. | Typ. | Max. | | | |
| VCC1 Monitoring; VCC1 = 3.3V Version | | | | | | | |
| Undervoltage Prewarning Threshold Voltage PW,f 3.3V option | $V_{PW,f}$ | 3.0 | 3.1 | 3.2 | V | VCC1 falling, SPI bit is set | P_15.10.36 |
| Undervoltage Prewarning Threshold Voltage PW,r 3.3V option | $V_{PW,r}$ | 3.10 | 3.2 | 3.28 | V | VCC1 rising | P_15.10.71 |
| Reset Threshold Voltage RT1,f 3.3V option | $V_{RT1,f}$ | 2.95 | 3.05 | 3.15 | V | default setting; VCC1 falling | P_15.10.37 |
| Reset Threshold Voltage RT1,r 3.3V option | $V_{RT1,r}$ | 3.0 | 3.1 | 3.2 | V | default setting; VCC1 rising | P_15.10.38 |
| Reset Threshold Voltage RT2,f 3.3V option | $V_{RT2,f}$ | 2.5 | 2.6 | 2.7 | V | VCC1 falling | P_15.10.39 |
| Reset Threshold Voltage RT2,r 3.3V option | $V_{RT2,r}$ | 2.55 | 2.65 | 2.75 | V | VCC1 rising | P_15.10.40 |
| Reset Threshold Voltage RT3,f 3.3V option | $V_{RT3,f}$ | 2.2 | 2.3 | 2.4 | V | SPI option; $V_S \geq 4\text{V}$; VCC1 falling | P_15.10.41 |
| Reset Threshold Voltage RT3,r 3.3V option | $V_{RT3,r}$ | 2.25 | 2.35 | 2.45 | V | $V_S \geq 4\text{V}$; VCC1 rising | P_15.10.42 |
| Reset Threshold Voltage RT4,f 3.3V option | $V_{RT4,f}$ | 2.0 | 2.1 | 2.2 | V | $V_S \geq 4\text{V}$; VCC1 falling | P_15.10.43 |
| Reset Threshold Voltage RT4,r 3.3V option, | $V_{RT4,r}$ | 2.05 | 2.15 | 2.25 | V | $V_S \geq 4\text{V}$; VCC1 rising, | P_15.10.44 |
| Reset Threshold Hysteresis 3.3V option | $V_{RT,hys}$ | 30 | 67 | 140 | mV | – | P_15.10.45 |
| VCC1 Overvoltage Detection Threshold Voltage 3.3V option | $V_{CC1,OV,r}$ | 3.5 | – | 3.7 | V | rising VCC1 | P_15.10.70 |

Supervision Functions

Table 35 Electrical Specification (cont'd)

$V_S = 5.5\text{ V to }28\text{ V}$; $T_j = -40\text{ °C to }+150\text{ °C}$; SBC Normal Mode; all voltages with respect to ground; positive current defined flowing into pin; unless otherwise specified.

| Parameter | Symbol | Values | | | Unit | Note or Test Condition | Number |
|---|-----------------|--------|------|------|------|------------------------|------------|
| | | Min. | Typ. | Max. | | | |
| VCC1 Overvoltage Detection Threshold Voltage 3.3V option | $V_{CC1,OV,f}$ | 3.40 | – | 3.60 | V | falling VCC1 | P_15.10.73 |
| VCC1 OV Detection Filter Time | $t_{VCC1,OV,F}$ | 5 | 10 | 14 | us | 2) | P_15.10.51 |
| VCC1 Short to GND Filter Time | $t_{VCC1,SC}$ | 3.2 | 4 | 4.8 | ms | 2) | P_15.10.12 |

Reset Generator; Pin RO

| | | | | | | | |
|---------------------------|------------|----------------------|-----|--------------------------|---------------|---|------------|
| Reset Low Output Voltage | $V_{RO,L}$ | – | 0.2 | 0.4 | V | $I_{RO} = 1\text{ mA}$ for $V_{CC1} \geq 1\text{ V}$ & $V_S \geq V_{POR,f}$ | P_15.10.14 |
| Reset High Output Voltage | $V_{RO,H}$ | $0.8 \times V_{CC1}$ | – | $V_{CC1} + 0.3\text{ V}$ | V | $I_{RO} = -20\text{ }\mu\text{A}$ | P_15.10.15 |
| Reset Pull-up Resistor | R_{RO} | 10 | 20 | 40 | k Ω | $V_{RO} = 0\text{ V}$ | P_15.10.16 |
| Reset Filter Time | t_{RF} | 4 | 10 | 26 | μs | 2) $V_{CC1} < V_{RT1X}$ to RO = L see also Chapter 15.3 | P_15.10.17 |
| Reset Delay Time | t_{RD1} | 1.5 | 2 | 2.5 | ms | 1) 2) | P_15.10.18 |

VCC2 Monitoring

| | | | | | | | |
|---|------------------|-----|-----|------|----|--------------|------------|
| VCC2 Undervoltage Threshold Voltage (falling) | $V_{CC2,UV,f}$ | 4.5 | – | 4.75 | V | VCC2 falling | P_15.10.19 |
| VCC2 Undervoltage Threshold Voltage (rising) | $V_{CC2,UV,r}$ | 4.6 | – | 4.9 | V | VCC2 rising | P_15.10.77 |
| VCC2 Undervoltage detection hysteresis | $V_{CC2,UV,hys}$ | 20 | 100 | 250 | mV | – | P_15.10.20 |

VCC3 Monitoring

| | | | | | | | |
|--|------------------|------|------|------|----|---|------------|
| VCC3 Undervoltage Detection | $V_{CC3,UV}$ | 2.65 | 2.85 | 3.00 | V | 3.3V option or VCC3_V_CFG=0 hysteresis included | P_15.10.47 |
| VCC3 Undervoltage Detection | $V_{CC3,UV}$ | 1.45 | 1.52 | 1.65 | V | VCC3_V_CFG=1 hysteresis included | P_15.10.61 |
| VCC3 Undervoltage detection hysteresis | $V_{CC3,UV,hys}$ | 20 | 100 | 250 | mV | – | P_15.10.22 |

Supervision Functions

Table 35 Electrical Specification (cont'd)

$V_S = 5.5\text{ V to }28\text{ V}$; $T_j = -40\text{ °C to }+150\text{ °C}$; SBC Normal Mode; all voltages with respect to ground; positive current defined flowing into pin; unless otherwise specified.

| Parameter | Symbol | Values | | | Unit | Note or Test Condition | Number |
|--|--------------------------|--------|------|------|------|---|------------|
| | | Min. | Typ. | Max. | | | |
| VCAN Monitoring | | | | | | | |
| CAN Supply undervoltage detection threshold | $V_{\text{CAN_UV}}$ | 4.45 | – | 4.85 | V | CAN Normal Mode, hysteresis included; | P_15.10.23 |
| Watchdog Generator | | | | | | | |
| Long Open Window | t_{LW} | 160 | 200 | 240 | ms | 2) | P_15.10.24 |
| Internal Oscillator | f_{CLKSBC} | 0.8 | 1.0 | 1.2 | MHz | – | P_15.10.25 |
| Minimum Waiting time during SBC Fail-Safe Mode | | | | | | | |
| Min. waiting time Fail-Safe | $t_{\text{FS,min}}$ | 80 | 100 | 120 | ms | 2)3) | P_15.10.75 |
| Power-on Reset, Over- / Undervoltage Protection | | | | | | | |
| VS Power on reset rising | $V_{\text{POR,r}}$ | – | | 4.5 | V | VS increasing | P_15.10.26 |
| VS Power on reset falling | $V_{\text{POR,f}}$ | – | | 3 | V | VS decreasing | P_15.10.27 |
| VS Undervoltage Detection Threshold 3.3V option | $V_{\text{S,UV}}$ | 3.7 | – | 4.4 | V | Supply UV threshold for VCC3 and VCC1 SC detection; hysteresis included | P_25.10.46 |
| VSHS Overvoltage Detection Threshold | $V_{\text{SHS,OVD}}$ | 20 | | 22 | V | Supply OV supervision for HSx; hysteresis included | P_15.10.28 |
| VSHS Overvoltage Detection hysteresis | $V_{\text{SHS,OVD,hys}}$ | 100 | 500 | – | mV | 4) | P_15.10.29 |
| VSHS Undervoltage Detection Threshold | $V_{\text{SHS,UVD}}$ | 4.8 | | 5.5 | V | Supply UV supervision for LINx, HSx, and HS of GPIOx; hysteresis included | P_15.10.30 |
| VSHS Undervoltage Detection hysteresis | $V_{\text{SHS,UVD,hys}}$ | 50 | 200 | 350 | mV | 4) | P_15.10.31 |
| Overtemperature Shutdown⁴⁾ | | | | | | | |
| Thermal Prewarning Temperature | T_{jPW} | 125 | 145 | 165 | °C | | P_15.10.32 |
| Thermal Shutdown TSD1 | T_{jTSD1} | 165 | 185 | 200 | °C | | P_15.10.33 |

Supervision Functions

Table 35 Electrical Specification (cont'd)

$V_S = 5.5\text{ V to }28\text{ V}$; $T_j = -40\text{ °C to }+150\text{ °C}$; SBC Normal Mode; all voltages with respect to ground; positive current defined flowing into pin; unless otherwise specified.

| Parameter | Symbol | Values | | | Unit | Note or Test Condition | Number |
|---|----------------|--------|------|------|------|------------------------|------------|
| | | Min. | Typ. | Max. | | | |
| Thermal Shutdown TSD2 | T_{jTSD2} | 165 | 185 | 200 | °C | | P_15.10.34 |
| Thermal Shutdown hysteresis | $T_{jTSD,hys}$ | 5 | 15 | 25 | °C | | P_15.10.68 |
| Deactivation time after thermal shutdown TSD2 | t_{TSD2} | 0.8 | 1 | 1.2 | s | ²⁾ | P_15.10.35 |

- 1) The reset delay time will start when VCC1 crosses above the selected Vrtx threshold
- 2) Not subject to production test, tolerance defined by internal oscillator tolerance.
- 3) This time applies for all failure entries except a device thermal shutdown (TSD2 has a typ. 1s waiting time t_{TSD2})
- 4) Not subject to production test, specified by design.

Serial Peripheral Interface

16 Serial Peripheral Interface

16.1 SPI Block Description

The 16-bit wide Control Input Word is read via the data input SDI, which is synchronized with the clock input CLK provided by the microcontroller. The output word appears synchronously at the data output SDO (see [Figure 59](#)).

The transmission cycle begins when the chip is selected by the input CSN (Chip Select Not), LOW active. After the CSN input returns from LOW to HIGH, the word that has been read is interpreted according to the content. The SDO output switches to tristate status (high impedance) at this point, thereby releasing the SDO bus for other use. The state of SDI is shifted into the input register with every falling edge on CLK. The state of SDO is shifted out of the output register after every rising edge on CLK. The SPI of the SBC is not daisy chain capable.

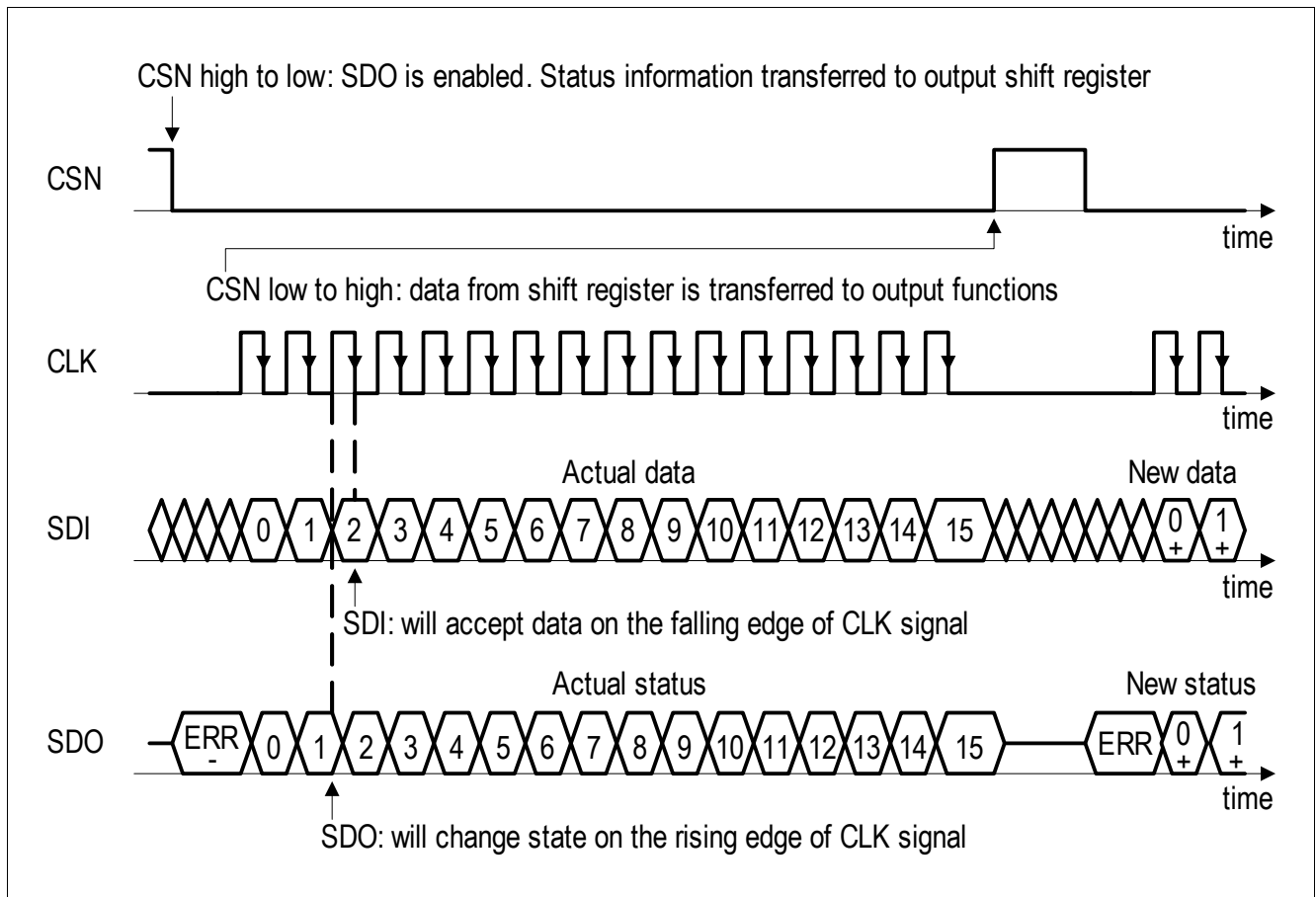


Figure 59 SPI Data Transfer Timing (note the reversed order of LSB and MSB shown in this figure compared to the register description)

Serial Peripheral Interface

16.2 Failure Signalization in the SPI Data Output

When the microcontroller sends a wrong SPI command to the SBC, the SBC ignores the information. Wrong SPI commands are either invalid SBC mode commands or commands which are prohibited by the state machine to avoid undesired device or system states (see below). In this case the diagnosis bit '**SPI_FAIL**' is set and the SPI Write command is ignored (mostly no partial interpretation). This bit can be only reset by actively clearing it via a SPI command.

Invalid SPI Commands leading to **SPI_FAIL** are listed below:

- Illegal state transitions: Going from SBC Stop to SBC Sleep Mode. In this case the SBC enters in addition the SBC Restart Mode;
Trying to go to SBC Stop or SBC Sleep mode from SBC Init Mode. In this case SBC Normal Mode is entered;
- Uneven parity in the data bit of the **WD_CTRL** register. In this case the watchdog trigger is ignored or the new watchdog settings are ignored respectively;
- In SBC Stop Mode: attempting to change any SPI settings, e.g. changing the watchdog configuration, PWM settings and HS configuration settings during SBC Stop Mode, etc.;
the SPI command is ignored in this case;
only WD trigger, returning to Normal Mode, triggering a SBC Soft Reset, and Read & Clear status registers commands are valid SPI commands in SBC Stop Mode;
- When entering SBC Stop Mode and **WK_STAT_1** and **WK_STAT_2** are not cleared; **SPI_FAIL** will not be set but the INT pin will be triggered;
- Changing from SBC Stop to Normal Mode and changing the other bits of the **M_S_CTRL** register. The other modifications will be ignored;
- SBC Sleep Mode: attempt to go to Sleep Mode when all bits in the **BUS_CTRL_1** and **WK_CTRL_2** registers are cleared. In this case the **SPI_FAIL** bit is set and the SBC enters Restart Mode.
Even though the Sleep Mode command is not entered in this case, the rest of the command (e.g modifying VCC2 or VCC3) is executed and the values stay unchanged during SBC Restart Mode;
Note: At least one wake source must be activated in order to avoid a deadlock situation in SBC Sleep Mode, i.e. the SBC would not be able to wake up anymore.
If the only wake source is a timer and the timer is OFF then the SBC will wake immediately from Sleep Mode and enter Restart Mode;
No failure handling is done for the attempt to go to SBC STOP Mode when all bits in the registers **BUS_CTRL_1** and **WK_CTRL_2** are cleared because the microcontroller can leave this mode via SPI;
- If VCC3 load sharing **VCC3_LS** is enabled and the microcontroller tries to clear the bit, then the rest of the command executed but **VCC3_LS** will remain set;
- Attempt to enter SBC Sleep Mode if WK_MEAS is set to '1' and only WK1_EN or WK2_EN are set as wake sources. Also in this case the **SPI_FAIL** bit is set and the SBC enters Restart Mode;
- Setting a longer or equal on-time than the timer period of the respective timer;
- SDI stuck at HIGH or LOW, e.g. SDI received all '0' or all '1';

Note: There is no SPI fail information for unused addresses.

Signalization of the ERR Flag (high active) in the SPI Data Output (see [Figure 59](#)):

The ERR flag presents an additional diagnosis possibility for the SPI communication. The ERR flag is being set for following conditions:

- in case the number of received SPI clocks is not 0 or 16,
- in case RO is LOW and SPI frames are being sent at the same time.

Serial Peripheral Interface

Note: In order to read the SPI ERR flag properly, CLK must be low when CSN is triggered, i.e. the ERR bit is not valid if the CLK is high on a falling edge of CSN

The number of received SPI clocks is not 0 or 16:

The number of received input clocks is supervised to be 0- or 16 clock cycles and the input word is discarded in case of a mismatch (0 clock cycle to enable ERR signalization). The error logic also recognizes if CLK was high during CSN edges. Both errors - 0 bit and 16 bit CLK mismatch or CLK high during CSN edges - are flagged in the following SPI output by a "HIGH" at the data output (SDO pin, bit ERR) before the first rising edge of the clock is received. The complete SPI command is ignored in this case.

RO is LOW and SPI frames are being sent at the same time:

The ERR flag will be set when the RO pin is triggered (during SBC Restart) and SPI frames are being sent to the SBC at the same time. The behavior of the ERR flag will be signaled at the next SPI command for below conditions:

- if the command begins when RO is HIGH and it ends when RO is LOW,
- if a SPI command will be sent while RO is LOW,
- If a SPI command begins when RO is LOW and it ends when RO is HIGH.

and the SDO output will behave as follows:

- always when RO is LOW then SDO will be HIGH,
- when a SPI command begins with RO is LOW and ends when RO is HIGH, then the SDO should be ignored because wrong data will be sent.

Note: It is possible to quickly check for the ERR flag without sending any data bits. i.e. only the CSN is pulled low and SDO is observed - no SPI Clocks are sent in this case

Note: The ERR flag could also be set after the SBC has entered SBC Fail-Safe Mode because the SPI communication is stopped immediately.

Serial Peripheral Interface

16.3 SPI Programming

For the TLE9262-3BQXV33, 7 bits are used for the address selection (BIT6...0). Bit 7 is used to decide between Read Only and Read & Clear for the status bits, and between Write and Read Only for configuration bits. For the actual configuration and status information, 8 data bits (BIT15...8) are used.

Writing, clearing and reading is done byte wise. The SPI status bits are not cleared automatically and must be cleared by the microcontroller, e.g. if the TSD2 was set due to overtemperature. The configuration bits will be partially automatically cleared by the SBC - please refer to the individual registers description for detailed information. During SBC Restart Mode the SPI communication is ignored by the SBC, i.e. it is not interpreted.

There are two types of SPI registers:

- Control registers: Those are the registers to configure the SBC, e.g. SBC mode, watchdog trigger, etc
- Status registers: Those are the registers where the status of the SBC is signalled, e.g. wake events, warnings, failures, etc.

For the status registers, the requested information is given in the same SPI command in DO.

For the control registers, also the status of the respective byte is shown in the same SPI command. However, if the setting is changed this is only shown with the next SPI command (it is only valid after CSN high) of the same register.

The SBC status information from the SPI status registers, is transmitted in a compressed way with each SPI response on SDO in the so called Status Information Field register (see also [Figure 60](#)). The purpose of this register is to quickly signal the information to the microcontroller if there was a change in one of the SPI status registers. In this way, the microcontroller does not need to read constantly all the SPI status registers but only those registers, which were changed.

Each bit in the Status Information Field represents a SPI status register (see [Table 36](#)). As soon as one bit is set in one of the status registers, then the respective bit in the Status Information Field register will be set. The register [WK_LVL_STAT](#) is not included in the status Information field. This is listed in [Table 36](#).

For Example if bit 0 in the Status Information Field is set to 1, one or more bits of the register 100 0001 ([SUP_STAT_1](#)) is set to 1. Then this register needs to be read in a second SPI command. The bit in the Status Information Field will be set to 0 when all bits in the register 100 0001 are set back to 0.

Table 36 Status Information Field

| Bit in Status Information Field | Corresponding Address Bit | Status Register Description |
|---------------------------------|---------------------------|---|
| 0 | 100 0001 | SUP_STAT_1: Supply Status -VSHS fail, VCCx fail, POR |
| 1 | 100 0010 | THERM_STAT: Thermal Protection Status |
| 2 | 100 0011 | DEV_STAT: Device Status - Mode before Wake, WD Fail, SPI Fail, Failure |
| 3 | 100 0100 | BUS_STAT: Bus Failure Status: CAN, LINx; |
| 4 | 100 0110 | WK_STAT_1, WK_STAT_2: Wake Source Status; Status bit is set as combinational OR of both registers |
| 5 | 100 0000 | SUP_STAT_2: VCC1_WARN/OV, VCC3 Status |
| 6 | 101 0100 | HS_OC_OT_STAT: High-Side Over Load Status |
| 7 | 101 0101 | HS_OL_STAT: High-Side Open Load Status |

Serial Peripheral Interface

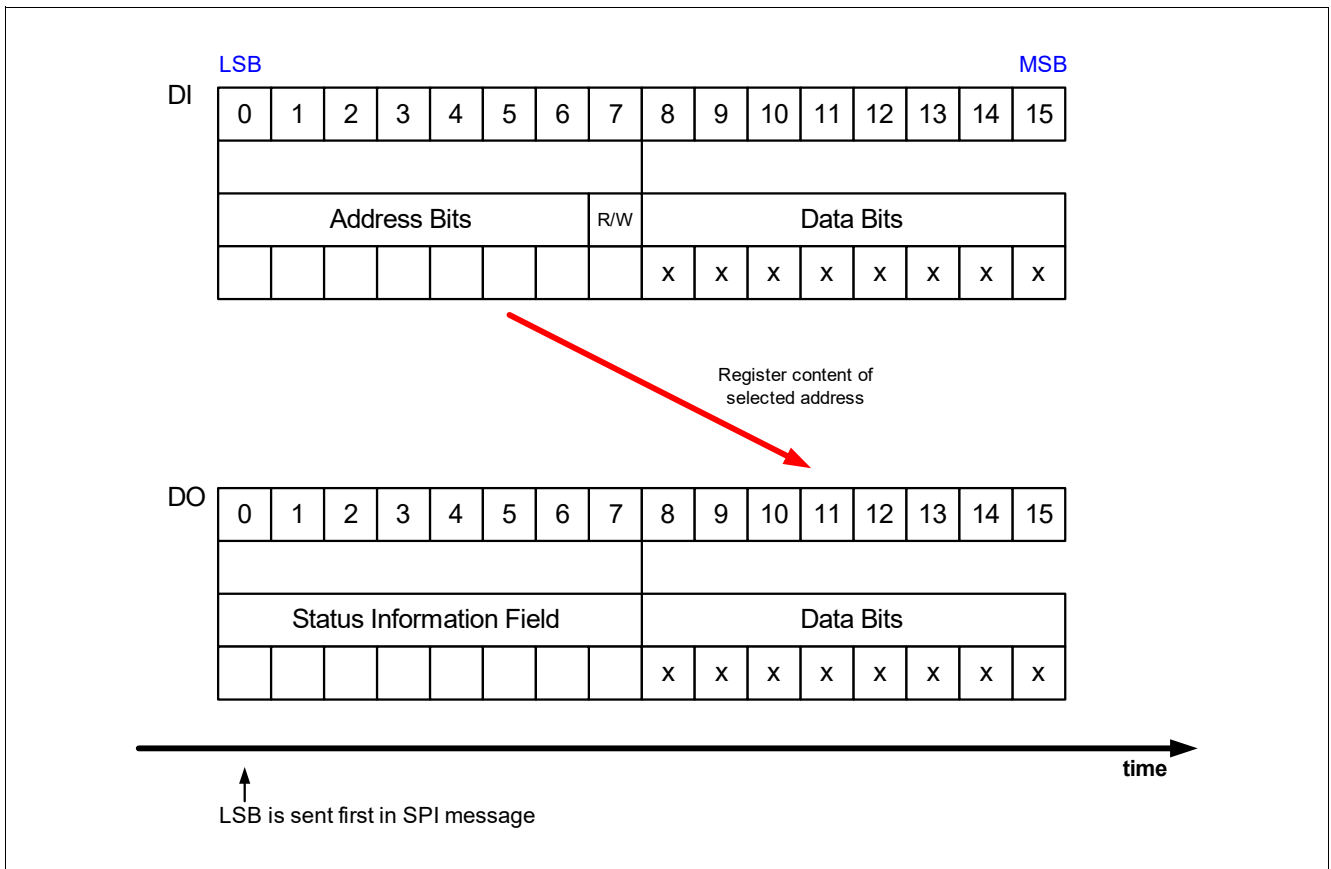


Figure 60 SPI Operation Mode

Serial Peripheral Interface

16.4 SPI Bit Mapping

The following figures show the mapping of the registers and the SPI bits of the respective registers.

The Control Registers '000 0000' to '001 1110' are Read/Write Register. Depending on bit 7 the bits are only read (setting bit 7 to '0') or also written (setting bit 7 to '1'). The new setting of the bit after write can be seen with a new read / write command.

The registers '100 0000' to '111 1110' are Status Registers and can be read or read with clearing the bit (if possible) depending on bit 7. To clear a Data Byte of one of the Status Registers bit 7 must be set to 1. The registers **WK_LVL_STAT**, and **FAM_PROD_STAT**, **SWK_OSC_CAL_H_STAT**, **SWK_OSC_CAL_L_STAT**, **SWK_STAT**, **SWK_ECNT_STAT**, **SWK_CDR_STAT1**, **SWK_CDR_STAT2** are an exception as they show the actual voltage level at the respective WK pin (LOW/HIGH), or a fixed family/ product ID respectively and can thus not be cleared. It is recommended for proper diagnosis to clear respective status bits for wake events or failure. However, in general it is possible to enable drivers without clearing the respective failure flags.

When changing to a different SBC Mode, certain configurations bits will be cleared automatically or modified:

- The SBC Mode bits are updated to the actual status, e.g. when returning to Normal Mode
- When changing to a low-power mode (Stop/Sleep), the diagnosis bits of the switches and transceivers are not cleared. FOx will stay activated if it was triggered before.
- When changing to SBC Stop Mode, the CAN and LIN control bits will not be modified.
- When changing to SBC Sleep Mode, the CAN and LIN control bits will be modified if they were not OFF or wake capable before.
- HSx, VCC2 and VCC3 will stay on when going to Sleep-/Stop Mode (configuration can only be done in Normal Mode). Diagnosis is active (OC, OL, OT). In case of a failure the switch is turned off and no wake-up is issued
- The configuration bits for HSx and VCC2 in stand-alone configuration are cleared in SBC Restart Mode. FOx will stay activated if it was triggered before. Depending on the respective configuration, CAN/LIN transceivers will be either OFF, woken or still wake capable.

Note: The detailed behavior of the respective SPI bits and control functions is described in **Chapter 16.5**, **Chapter 16.6** and in the respective module chapter. The bit type be marked as 'rwh' in case the SBC will modify respective control bits.

Serial Peripheral Interface

| | | MSB | | | | | | | | LSB | | | | | | | | | |
|--------------------------|---|---|----|----|----|----|----|---|---|---------------|--|---------------|---|---|---|---|---|--|---|
| | | 15 | 14 | 13 | 12 | 11 | 10 | 9 | 8 | 7 | 6 | 5 | 4 | 3 | 2 | 1 | 0 | | |
| | | 8 Data Bits [bits 8...15] for Configuration & Status Information | | | | | | | | Reg. Type | 7 Address Bits [bits 0..6] for Register Selection | | | | | | | | |
| Control Registers | M_S_CTRL | | | | | | | | | rw | 0 0 0 0 0 0 1 | | | | | | | | |
| | HW_CTRL | | | | | | | | | rw | 0 0 0 0 0 1 0 | | | | | | | | |
| | WD_CTRL | | | | | | | | | rw | 0 0 0 0 0 1 1 | | | | | | | | |
| | BUS_CTRL_1 | | | | | | | | | rw | 0 0 0 0 1 0 0 | | | | | | | | |
| | BUS_CTRL_2 | | | | | | | | | rw | 0 0 0 0 1 0 1 | | | | | | | | |
| | WK_CTRL_1 | | | | | | | | | rw | 0 0 0 0 1 1 0 | | | | | | | | |
| | WK_CTRL_2 | | | | | | | | | rw | 0 0 0 0 1 1 1 | | | | | | | | |
| | WK_PUPD_CTRL | | | | | | | | | rw | 0 0 0 1 0 0 0 | | | | | | | | |
| | WK_FLT_CTRL | | | | | | | | | rw | 0 0 0 1 0 0 1 | | | | | | | | |
| | TIMER1_CTRL | | | | | | | | | rw | 0 0 0 1 1 0 0 | | | | | | | | |
| | TIMER2_CTRL | | | | | | | | | rw | 0 0 0 1 1 0 1 | | | | | | | | |
| | SW_SD_CTRL | | | | | | | | | rw | 0 0 1 0 0 0 0 | | | | | | | | |
| | HS_CTRL_1 | | | | | | | | | rw | 0 0 1 0 1 0 0 | | | | | | | | |
| | HS_CTRL_2 | | | | | | | | | rw | 0 0 1 0 1 0 1 | | | | | | | | |
| | GPIO_CTRL | | | | | | | | | rw | 0 0 1 0 1 1 1 | | | | | | | | |
| | PWM1_CTRL | | | | | | | | | rw | 0 0 1 1 0 0 0 | | | | | | | | |
| | PWM2_CTRL | | | | | | | | | rw | 0 0 1 1 0 0 1 | | | | | | | | |
| | Selective Wake Control Registers | PWM_FREQ_CTRL | | | | | | | | | rw | 0 0 1 1 1 0 0 | | | | | | | |
| SYS_STAT_CTRL | | | | | | | | | | rw | 0 0 1 1 1 1 0 | | | | | | | | |
| SWK_CTRL | | | | | | | | | | rw | 0 1 0 0 0 0 0 | | | | | | | | |
| SWK_BTL1_CTRL | | | | | | | | | | rw | 0 1 0 0 0 0 1 | | | | | | | | |
| SWK_BTL2_CTRL | | | | | | | | | | rw | 0 1 0 0 0 1 0 | | | | | | | | |
| SWK_ID3_CTRL | | | | | | | | | | rw | 0 1 0 0 0 1 1 | | | | | | | | |
| SWK_ID2_CTRL | | | | | | | | | | rw | 0 1 0 0 1 0 0 | | | | | | | | |
| SWK_ID1_CTRL | | | | | | | | | | rw | 0 1 0 0 1 0 1 | | | | | | | | |
| SWK_ID0_CTRL | | | | | | | | | | rw | 0 1 0 0 1 1 0 | | | | | | | | |
| SWK_MASK_ID3_CTRL | | | | | | | | | | rw | 0 1 0 0 1 1 1 | | | | | | | | |
| SWK_MASK_ID2_CTRL | | | | | | | | | | rw | 0 1 0 1 0 0 0 | | | | | | | | |
| SWK_MASK_ID1_CTRL | | | | | | | | | | rw | 0 1 0 1 0 0 1 | | | | | | | | |
| SWK_MASK_ID0_CTRL | | | | | | | | | | rw | 0 1 0 1 0 1 0 | | | | | | | | |
| SWK_DLC_CTRL | | | | | | | | | | rw | 0 1 0 1 0 1 1 | | | | | | | | |
| SWK_DATA7_CTRL | | | | | | | | | | rw | 0 1 0 1 1 0 0 | | | | | | | | |
| SWK_DATA6_CTRL | | | | | | | | | | rw | 0 1 0 1 1 0 1 | | | | | | | | |
| SWK_DATA5_CTRL | | | | | | | | | | rw | 0 1 0 1 1 1 0 | | | | | | | | |
| SWK_DATA4_CTRL | | | | | | | | | | rw | 0 1 0 1 1 1 1 | | | | | | | | |
| SWK_DATA3_CTRL | | | | | | | | | | rw | 0 1 1 0 0 0 0 | | | | | | | | |
| SWK_DATA2_CTRL | | | | | | | | | | rw | 0 1 1 0 0 0 1 | | | | | | | | |
| SWK_DATA1_CTRL | | | | | | | | | | rw | 0 1 1 0 0 1 0 | | | | | | | | |
| SWK_DATA0_CTRL | | | | | | | | | | rw | 0 1 1 0 0 1 1 | | | | | | | | |
| SWK_CAN_FD_CTRL | | | | | | | | | | rw | 0 1 1 0 1 0 0 | | | | | | | | |
| SWK_OSC_TRIM_CTRL | | | | | | | | | | rw | 0 1 1 1 0 0 0 | | | | | | | | |
| SWK_OPT_CTRL | | | | | | | | | | rw | 0 1 1 1 0 0 1 | | | | | | | | |
| SWK_OSC_CAL_H_STAT | | | | | | | | | | r | 0 1 1 1 0 1 0 | | | | | | | | |
| SWK_OSC_CAL_L_STAT | | | | | | | | | | r | 0 1 1 1 0 1 1 | | | | | | | | |
| SWK_CDR_CTRL1 | | | | | | | | | | rw | 0 1 1 1 1 0 0 | | | | | | | | |
| SWK_CDR_CTRL2 | | | | | | | | | | rw | 0 1 1 1 1 0 1 | | | | | | | | |
| SWK_CDR_LIMIT_H_CTRL | | | | | | | | | | rw | 0 1 1 1 1 1 0 | | | | | | | | |
| SWK_CDR_LIMIT_L_CTRL | | | | | | | | | | rw | 0 1 1 1 1 1 1 | | | | | | | | |
| Status Registers | | SUP_STAT_2 | | | | | | | | | rc | 1 0 0 0 0 0 0 | | | | | | | |
| | SUP_STAT_1 | | | | | | | | | rc | 1 0 0 0 0 0 1 | | | | | | | | 0 |
| | THERM_STAT | | | | | | | | | rc | 1 0 0 0 0 1 0 | | | | | | | | 1 |
| | DEV_STAT | | | | | | | | | rc | 1 0 0 0 0 1 1 | | | | | | | | 2 |
| | BUS_STAT_1 | | | | | | | | | rc | 1 0 0 0 1 0 0 | | | | | | | | 3 |
| | BUS_STAT_2 | | | | | | | | | rc | 1 0 0 0 1 0 1 | | | | | | | | 3 |
| | WK_STAT_1 | | | | | | | | | rc | 1 0 0 0 1 1 0 | | | | | | | | 4 |
| | WK_STAT_2 | | | | | | | | | rc | 1 0 0 0 1 1 1 | | | | | | | | 4 |
| | WK_LVL_STAT | | | | | | | | | r | 1 0 0 1 0 0 0 | | | | | | | | - |
| | HS_OC_OT_STAT | | | | | | | | | rc | 1 0 1 0 1 0 0 | | | | | | | | 6 |
| | HS_OL_STAT | | | | | | | | | rc | 1 0 1 0 1 0 1 | | | | | | | | 7 |
| | SWK_STAT | | | | | | | | | r | 1 1 1 0 0 0 0 | | | | | | | | |
| | SWK_ECNT_STAT | | | | | | | | | r | 1 1 1 0 0 0 1 | | | | | | | | |
| | SWK_CDR_STAT1 | | | | | | | | | r | 1 1 1 0 0 1 0 | | | | | | | | |
| SWK_CDR_STAT2 | | | | | | | | | r | 1 1 1 0 0 1 1 | | | | | | | | | |
| FAM_PROD_STAT | | | | | | | | | r | 1 1 1 1 1 1 0 | | | | | | | | | |

Figure 61 SPI Register Mapping including Selective Wake

Serial Peripheral Interface

| Register Short Name | 15 | | 14 | | 13 | | 12 | | 11 | | 10 | | 9 | | 8 | | 7 | | 6..0 | |
|---|--------------|---------------|-------------|----------------|-------------|--------------|-----------------|--------------|------------|---------|----|--|----|--|----|--|-------------|--|-----------------|--|
| | D7 | | D6 | | D5 | | Data Bit 15...8 | | D3 | | D2 | | D1 | | D0 | | Access Mode | | Address A6...A0 | |
| CONTROL REGISTERS | | | | | | | | | | | | | | | | | | | | |
| M S CTRL | MODE 1 | MODE 0 | VCC3 ON | VCC2 ON 1 | VCC2 ON 0 | VCC1 OV RST | VCC1 RT 1 | VCC1 RT 0 | read/write | 0000001 | | | | | | | | | | |
| HW CTRL | VCC3 V CFG | SOFT RESET RC | FO ON | VCC3 VS UV OFF | VCC3 LS | reserved | VCC3 LS STP ON | CFG | read/write | 0000010 | | | | | | | | | | |
| WD CTRL | CHECKSUM | WD STM EN 0 | WD WIN | WD EN WK BUS | reserved | WD TIMER 2 | WD TIMER 1 | WD TIMER 0 | read/write | 0000011 | | | | | | | | | | |
| BUS CTRL 1 | LIN FLASH | LIN LSM | LIN TXD TO | LIN1 1 | LIN1 0 | CAN 2 | CAN 1 | CAN 0 | read/write | 0000100 | | | | | | | | | | |
| BUS CTRL 2 | reserved | reserved | I PEAK TH | reserved | reserved | reserved | reserved | reserved | read/write | 0000101 | | | | | | | | | | |
| WK CTRL 1 | TIMER2 WK EN | TIMER1 WK EN | reserved | reserved | reserved | WD STM EN 1 | reserved | reserved | read/write | 0000110 | | | | | | | | | | |
| WK CTRL 2 | INT GLOBAL | reserved | WK MEAS | reserved | reserved | WK3 EN | WK2 EN | WK1 EN | read/write | 0000111 | | | | | | | | | | |
| WK PUPD CTRL | reserved | reserved | WK3 PUPD 1 | WK3 PUPD 0 | WK2 PUPD 1 | WK2 PUPD 0 | WK1 PUPD 1 | WK1 PUPD 0 | read/write | 0001000 | | | | | | | | | | |
| WK FLT CTRL | reserved | reserved | WK3 FLT 1 | WK3 FLT 0 | WK2 FLT 1 | WK2 FLT 0 | WK1 FLT 1 | WK1 FLT 0 | read/write | 0001001 | | | | | | | | | | |
| TIMER1 CTRL | reserved | TIMER1 ON 2 | TIMER1 ON 1 | TIMER1 ON 0 | reserved | TIMER1 PER 2 | TIMER1 PER 1 | TIMER1 PER 0 | read/write | 0001100 | | | | | | | | | | |
| TIMER2 CTRL | reserved | TIMER2 ON 2 | TIMER2 ON 1 | TIMER2 ON 0 | reserved | TIMER2 PER 2 | TIMER2 PER 1 | TIMER2 PER 0 | read/write | 0001101 | | | | | | | | | | |
| SW SD CTRL | reserved | HS OV SD EN | HS UV SD EN | HS OV UV REC | reserved | reserved | reserved | reserved | read/write | 0010000 | | | | | | | | | | |
| HS CTRL 1 | reserved | HS2 2 | HS2 1 | HS2 0 | reserved | HS1 2 | HS1 1 | HS1 0 | read/write | 0010100 | | | | | | | | | | |
| HS CTRL 2 | reserved | HS4 2 | HS4 1 | HS4 0 | reserved | HS3 2 | HS3 1 | HS3 0 | read/write | 0010101 | | | | | | | | | | |
| GPIO CTRL | FO DC 1 | FO DC 0 | GPIO2 2 | GPIO2 1 | GPIO2 0 | GPIO1 2 | GPIO1 1 | GPIO1 0 | read/write | 0010111 | | | | | | | | | | |
| PWM1 CTRL | PWM1 DC 7 | PWM1 DC 6 | PWM1 DC 5 | PWM1 DC 4 | PWM1 DC 3 | PWM1 DC 2 | PWM1 DC 1 | PWM1 DC 0 | read/write | 0011000 | | | | | | | | | | |
| PWM2 CTRL | PWM2 DC 7 | PWM2 DC 6 | PWM2 DC 5 | PWM2 DC 4 | PWM2 DC 3 | PWM2 DC 2 | PWM2 DC 1 | PWM2 DC 0 | read/write | 0011001 | | | | | | | | | | |
| PWM FREQ CTRL | reserved | reserved | reserved | reserved | reserved | PWM2 FREQ 0 | reserved | PWM1 FREQ 0 | read/write | 0011100 | | | | | | | | | | |
| SYS STAT CTRL | SYS STAT 7 | SYS STAT 6 | SYS STAT 5 | SYS STAT 4 | SYS STAT 3 | SYS STAT 2 | SYS STAT 1 | SYS STAT 0 | read/write | 0011110 | | | | | | | | | | |
| SELECTIVE WAKE REGISTERS | | | | | | | | | | | | | | | | | | | | |
| SWK CTRL | OSC CAL | TRIM EN 1 | TRIM EN 0 | CANTO MASK | reserved | reserved | reserved | CFG VAL | read/write | 0100000 | | | | | | | | | | |
| SWK BTL1 CTRL | TBIT 7 | TBIT 6 | TBIT 5 | TBIT 4 | TBIT 3 | TBIT 2 | TBIT 1 | TBIT 0 | read/write | 0100001 | | | | | | | | | | |
| SWK BTL2 CTRL | reserved | reserved | SP 5 | SP 4 | SP 3 | SP 2 | SP 1 | SP 0 | read/write | 0100010 | | | | | | | | | | |
| SWK ID3 CTRL | ID27 | ID26 | ID25 | ID24 | ID23 | ID22 | ID21 | ID20 | read/write | 0100011 | | | | | | | | | | |
| SWK ID2 CTRL | ID20 | ID19 | ID18 | ID17 | ID16 | ID15 | ID14 | ID13 | read/write | 0100100 | | | | | | | | | | |
| SWK ID1 CTRL | ID12 | ID11 | ID10 | ID9 | ID8 | ID7 | ID6 | ID5 | read/write | 0100101 | | | | | | | | | | |
| SWK ID0 CTRL | reserved | ID4 | ID3 | ID2 | ID1 | reserved | RTR | IDE | read/write | 0100110 | | | | | | | | | | |
| SWK MASK ID3 CTRL | MASK ID28 | MASK ID27 | MASK ID26 | MASK ID25 | MASK ID24 | MASK ID23 | MASK ID22 | MASK ID21 | read/write | 0100111 | | | | | | | | | | |
| SWK MASK ID2 CTRL | MASK ID20 | MASK ID19 | MASK ID18 | MASK ID17 | MASK ID16 | MASK ID15 | MASK ID14 | MASK ID13 | read/write | 0101000 | | | | | | | | | | |
| SWK MASK ID1 CTRL | MASK ID12 | MASK ID11 | MASK ID10 | MASK ID9 | MASK ID8 | MASK ID7 | MASK ID6 | MASK ID5 | read/write | 0101001 | | | | | | | | | | |
| SWK MASK ID0 CTRL | reserved | MASK ID4 | MASK ID3 | MASK ID2 | MASK ID1 | MASK ID0 | reserved | reserved | read/write | 0101010 | | | | | | | | | | |
| SWK DLC CTRL | reserved | reserved | reserved | reserved | DLC 3 | DLC 2 | DLC 1 | DLC 0 | read/write | 0101011 | | | | | | | | | | |
| SWK DATA7 CTRL | DATA7 7 | DATA7 6 | DATA7 5 | DATA7 4 | DATA7 3 | DATA7 2 | DATA7 1 | DATA7 0 | read/write | 0101100 | | | | | | | | | | |
| SWK DATA6 CTRL | DATA6 7 | DATA6 6 | DATA6 5 | DATA6 4 | DATA6 3 | DATA6 2 | DATA6 1 | DATA6 0 | read/write | 0101101 | | | | | | | | | | |
| SWK DATA5 CTRL | DATA5 7 | DATA5 6 | DATA5 5 | DATA5 4 | DATA5 3 | DATA5 2 | DATA5 1 | DATA5 0 | read/write | 0101110 | | | | | | | | | | |
| SWK DATA4 CTRL | DATA4 7 | DATA4 6 | DATA4 5 | DATA4 4 | DATA4 3 | DATA4 2 | DATA4 1 | DATA4 0 | read/write | 0101111 | | | | | | | | | | |
| SWK DATA3 CTRL | DATA3 7 | DATA3 6 | DATA3 5 | DATA3 4 | DATA3 3 | DATA3 2 | DATA3 1 | DATA3 0 | read/write | 0110000 | | | | | | | | | | |
| SWK DATA2 CTRL | DATA2 7 | DATA2 6 | DATA2 5 | DATA2 4 | DATA2 3 | DATA2 2 | DATA2 1 | DATA2 0 | read/write | 0110001 | | | | | | | | | | |
| SWK DATA1 CTRL | DATA1 7 | DATA1 6 | DATA1 5 | DATA1 4 | DATA1 3 | DATA1 2 | DATA1 1 | DATA1 0 | read/write | 0110010 | | | | | | | | | | |
| SWK DATA0 CTRL | DATA0 7 | DATA0 6 | DATA0 5 | DATA0 4 | DATA0 3 | DATA0 2 | DATA0 1 | DATA0 0 | read/write | 0110011 | | | | | | | | | | |
| SWK CAN FD CTRL | reserved | reserved | DIS_ERR_CNT | RX_FILT_BYP | FD_FILTER 2 | FD_FILTER 1 | FD_FILTER 0 | CAN_FD_EN | read/write | 0110100 | | | | | | | | | | |
| SELECTIVE WAKE TRIM & CONFIGURATIONS REGISTERS | | | | | | | | | | | | | | | | | | | | |
| SWK OSC TRIM CTRL | TRIM OSC 7 | TRIM OSC 6 | TRIM OSC 5 | TRIM OSC 4 | TRIM OSC 3 | TRIM OSC 2 | TRIM OSC 1 | TRIM OSC 0 | read/write | 0111000 | | | | | | | | | | |
| SWK OPT CTRL | RX WK SEL | reserved | reserved | reserved | reserved | reserved | reserved | reserved | read/write | 0111001 | | | | | | | | | | |
| SWK OSC CAL H STAT | OSC_CAL_H 7 | OSC_CAL_H 6 | OSC_CAL_H 5 | OSC_CAL_H 4 | OSC_CAL_H 3 | OSC_CAL_H 2 | OSC_CAL_H 1 | OSC_CAL_H 0 | read/write | 0111010 | | | | | | | | | | |
| SWK OSC CAL L STAT | OSC_CAL_L 7 | OSC_CAL_L 6 | OSC_CAL_L 5 | OSC_CAL_L 4 | OSC_CAL_L 3 | OSC_CAL_L 2 | OSC_CAL_L 1 | OSC_CAL_L 0 | read/write | 0111011 | | | | | | | | | | |
| SWK CDR CTRL1 | reserved | reserved | reserved | reserved | reserved | reserved | reserved | reserved | read/write | 0111100 | | | | | | | | | | |
| SWK CDR CTRL2 | reserved | reserved | reserved | reserved | reserved | reserved | reserved | reserved | read/write | 0111101 | | | | | | | | | | |
| SWK CDR LIMIT HIGH | CDR_LIM_H 7 | CDR_LIM_H 6 | CDR_LIM_H 5 | CDR_LIM_H 4 | CDR_LIM_H 3 | CDR_LIM_H 2 | CDR_LIM_H 1 | CDR_LIM_H 0 | read/write | 0111110 | | | | | | | | | | |
| SWK CDR LIMIT LOW | CDR_LIM_L 7 | CDR_LIM_L 6 | CDR_LIM_L 5 | CDR_LIM_L 4 | CDR_LIM_L 3 | CDR_LIM_L 2 | CDR_LIM_L 1 | CDR_LIM_L 0 | read/write | 0111111 | | | | | | | | | | |
| STATUS REGISTERS | | | | | | | | | | | | | | | | | | | | |
| SUP_STAT 2 | reserved | VS UV | reserved | VCC3 OC | VCC3 UV | VCC3 OT | VCC1 OV | VCC1_WARN | read/clear | 1000000 | | | | | | | | | | |
| SUP_STAT 1 | POR | VSHS UV | VSHS OV | VCC2 OT | VCC2 UV | VCC1 SC | VCC1 UV FS | VCC1 UV | read/clear | 1000001 | | | | | | | | | | |
| THERM_STAT | reserved | reserved | reserved | reserved | reserved | TS2 | TS1 | TPW | read/clear | 1000010 | | | | | | | | | | |
| DEV_STAT | DEV_STAT 1 | DEV_STAT 0 | reserved | reserved | reserved | WD_FAIL 1 | WD_FAIL 0 | SPI_FAIL | read/clear | 1000011 | | | | | | | | | | |
| BUS_STAT 1 | reserved | LIN1_FAIL 1 | LIN1_FAIL 0 | CANTO | SYSERR | CAN_FAIL 1 | CAN_FAIL 0 | VCAN UV | read/clear | 1000100 | | | | | | | | | | |
| BUS_STAT 2 | reserved | reserved | reserved | reserved | reserved | reserved | reserved | reserved | read/clear | 1000101 | | | | | | | | | | |
| WK_STAT 1 | reserved | LIN1_WU | CAN_WU | TIMER_WU | reserved | WK3_WU | WK2_WU | WK1_WU | read/clear | 1000110 | | | | | | | | | | |
| WK_STAT 2 | reserved | reserved | GPIO2_WU | GPIO1_WU | reserved | reserved | reserved | reserved | read/clear | 1000111 | | | | | | | | | | |
| WK_LVL_STAT | SBC_DEV_LVL | CFGP | GPIO2_LVL | GPIO1_LVL | reserved | WK3_LVL | WK2_LVL | WK1_LVL | read | 1001000 | | | | | | | | | | |
| HS_OC_OT_STAT | reserved | reserved | reserved | reserved | HS4_OC_OT | HS3_OC_OT | HS2_OC_OT | HS1_OC_OT | read/clear | 1010100 | | | | | | | | | | |
| HS_OL_STAT | reserved | reserved | reserved | reserved | HS4_OL | HS3_OL | HS2_OL | HS1_OL | read/clear | 1010101 | | | | | | | | | | |
| SELECTIVE WAKE STATUS REGISTERS | | | | | | | | | | | | | | | | | | | | |
| SWK_STAT | reserved | SYNC | reserved | reserved | CANSIL | SWK_SET | WUP | WUF | read | 1110000 | | | | | | | | | | |
| SWK ECNT_STAT | reserved | reserved | ECNT 5 | ECNT 4 | ECNT 3 | ECNT 2 | ECNT 1 | ECNT 0 | read | 1110001 | | | | | | | | | | |
| SWK CDR_STAT1 | N_AVG 11 | N_AVG 10 | N_AVG 9 | N_AVG 8 | N_AVG 7 | N_AVG 6 | N_AVG 5 | N_AVG 4 | read | 1110010 | | | | | | | | | | |
| SWK CDR_STAT2 | N_AVG 3 | N_AVG 2 | N_AVG 1 | N_AVG 0 | reserved | reserved | reserved | reserved | read | 1110011 | | | | | | | | | | |
| FAMILY AND PRODUCT REGISTERS | | | | | | | | | | | | | | | | | | | | |
| FAM_PROD_STAT | FAM 3 | FAM 2 | FAM 1 | FAM 0 | PROD 3 | PROD 2 | PROD 1 | PROD 0 | read | 1111110 | | | | | | | | | | |

Figure 62 TLE9262-3BQXV33 SPI Bit Mapping including Selective Wake

Serial Peripheral Interface

16.5 SPI Control Registers

READ/WRITE Operation (see also [Chapter 16.3](#)):

- The 'POR / Soft Reset Value' defines the register content after POR or SBC Reset.
- The 'Restart Value' defines the register content after SBC Restart, where 'x' means the bit is unchanged.
- One 16-bit SPI command consist of two bytes:
 - the 7-bit address and one additional bit for the register access mode and
 - following the data byteThe numbering of following bit definitions refers to the data byte and correspond to the bits D0...D7 and to the SPI bits 8...15 (see also figure before).
- There are three different bit types:
 - 'r' = READ: read only bits (or reserved bits)
 - 'rw' = READ/WRITE: readable and writable bits
 - 'rwh' = READ/WRITE/Hardware: readable/writable bits, which can also be modified by the SBC hardware
- Reserved bits are marked as "Reserved" and always read as "0". The respective bits shall also be programmed as "0".
- Reading a register is done byte wise by setting the SPI bit 7 to "0" (= Read Only).
- Writing to a register is done byte wise by setting the SPI bit 7 to "1".
- SPI control bits are in general not cleared or changed automatically. This must be done by the microcontroller via SPI programming. Exceptions to this behavior are stated at the respective register description and the respective bit type is marked with a 'h' meaning that the SBC is able to change the register content.

The registers are addressed wordwise.

Serial Peripheral Interface

16.5.1 General Control Registers

M_S_CTRL

Mode- and Supply Control (Address 000 0001_B)POR / Soft Reset Value: 0000 0000_B; Restart Value: 00x0 00xx_B

| | | | | | | | |
|--------|--------|---------|-----------|-----------|-------------|-----------|-----------|
| 7 | 6 | 5 | 4 | 3 | 2 | 1 | 0 |
| MODE_1 | MODE_0 | VCC3_ON | VCC2_ON_1 | VCC2_ON_0 | VCC1_OV_RST | VCC1_RT_1 | VCC1_RT_0 |
| rwh | rwh | rwh | rwh | rwh | rwh | rw | rw |

| Field | Bits | Type | Description |
|-------------|------|------|--|
| MODE | 7:6 | rwh | SBC Mode Control 00B , SBC Normal Mode 01B , SBC Sleep Mode 10B , SBC Stop Mode 11B , SBC Reset: Soft Reset is executed (configuration of RO triggering in bit SOFT_RESET_RO) |
| VCC3_ON | 5 | rwh | VCC3 Mode Control 0B , VCC3 OFF 1B , VCC3 is enabled (as independent voltage regulator) |
| VCC2_ON | 4:3 | rwh | VCC2 Mode Control 00B , VCC2 off 01B , VCC2 on in Normal Mode 10B , VCC2 on in Normal and Stop Mode 11B , VCC2 always on (except in SBC Fail-Safe Mode) |
| VCC1_OV_RST | 2 | rwh | VCC1 Overvoltage leading to Restart / Fail-Safe Mode enable 0B , VCC1_OV is set in case of VCC1_OV; no SBC Restart or Fail-Safe is entered for VCC1_OV 1B , VCC1_OV is set in case of VCC1_OV; depending on the device configuration SBC Restart or SBC Fail-Safe Mode is entered (see Chapter 5.1.1); |
| VCC1_RT | 1:0 | rw | VCC1 Reset Threshold Control 00B , Vrt1 selected (highest threshold) 01B , Vrt2 selected 10B , Vrt3 selected 11B , Vrt4 selected |

Notes

1. It is not possible to change from Stop to Sleep Mode via SPI Command. See also the State Machine Chapter
2. After entering SBC Restart Mode, the MODE bits will be automatically set to SBC Normal Mode. The VCC2_ON bits will be automatically set to OFF after entering SBC Restart Mode and after OT.
3. The SPI output will always show the previously written state with a Write Command (what has been programmed before)

Serial Peripheral Interface

HW_CTRL

Mode- and Supply Control (Address 000 0010_B)POR / Soft Reset Value: y000 y000_B; Restart Value: xx0x x00x_B

| | | | | | | | |
|------------|---------------|-------|----------------|---------|----------|----------------|-----|
| 7 | 6 | 5 | 4 | 3 | 2 | 1 | 0 |
| VCC3_V_CFG | SOFT_RESET_RO | FO_ON | VCC3_VS_UV_OFF | VCC3_LS | Reserved | VCC3_LS_STP_ON | CFG |
| rw | rw | rwh | rw | rw | r | rw | rw |

| Field | Bits | Type | Description |
|----------------|------|------|---|
| VCC3_V_CFG | 7 | rw | VCC3 Output Voltage Configuration (if configured as independent voltage regulator) 0B , VCC3 has same output voltage as VCC1 1B , VCC3 is configured to either 3.3V or 1.8V (depending on VCC1 derivative) |
| SOFT_RESET_RO | 6 | rw | Soft Reset Configuration 0B , RO will be triggered (pulled low) during a Soft Reset 1B , No RO triggering during a Soft Reset |
| FO_ON | 5 | rwh | Failure Output Activation (FO1..3) 0B , FOx not activated by software, FO can be activated by defined failures (see Chapter 14) 1B , FOx activated by software (via SPI) |
| VCC3_VS_UV_OFF | 4 | rw | VCC3 VS_UV shutdown configuration 0B , VCC3 will be disabled automatically at VS_UV 1B , VCC3 will stay enabled even below VS_UV |
| VCC3_LS | 3 | rw | VCC3 Configuration 0B , VCC3 operating as a stand-alone regulator 1B , VCC3 in load sharing operation with VCC1 |
| Reserved | 2 | r | Reserved, always reads as 0 |
| VCC3_LS_STP_ON | 1 | rw | VCC3 Load Sharing in SBC Stop Mode configuration 0B , VCC3 in LS configuration during SBC Stop Mode and high-power mode: disabled 1B , VCC3 in LS configuration during SBC Stop Mode and high-power mode: enabled |
| CFG | 0 | rw | Configuration Select (see also Table 5) 0B , Depending on hardware configuration, SBC Restart or Fail-Safe Mode is reached after the 2. watchdog trigger failure (=default) - Config 3/4 1B , Depending on hardware configuration, SBC Restart or Fail-Safe Mode is reached after the 1. watchdog trigger failure - Config 1/2 |

Notes

1. Clearing the FO_ON bit will not disable the FOx outputs for the case a failure occurred which triggered the FOx outputs. In this case the FOx outputs have to be disabled by clearing the FAILURE bit.

Serial Peripheral Interface

If the FO_ON bit is set by the software then it will be cleared by the SBC after SBC Restart Mode was entered and the FOx outputs will be disabled. See also [Chapter 14](#) for FOx activation and deactivation.

- 2. After triggering a SBC Soft Reset the bits VCC3_V_CFG and VCC3_LS are not reset if they were set before, i.e. it stays unchanged, which is stated by the 'y' in the POR / Soft Reset Value. POR value: 0000 0000 and Soft Reset value: xx00 x00x*
- 3. VCC3_LS_STP_ON: Is a combination of load sharing and VCC1 active peak in Stop mode*

Serial Peripheral Interface

WD_CTRL

Watchdog Control (Address 000 0011_B)POR / Soft Reset Value: 0001 0100_B; Restart Value: x0xx 0100_B

| | | | | | | | |
|----------|-----------------|--------|------------------|----------|------------|------------|------------|
| 7 | 6 | 5 | 4 | 3 | 2 | 1 | 0 |
| CHECKSUM | WD_STM_ EN_0 | WD_WIN | WD_EN_ WK_BUS | Reserved | WD_TIMER_2 | WD_TIMER_1 | WD_TIMER_0 |
| rw | rwh | rw | rw | r | rwh | rwh | rwh |

| Field | Bits | Type | Description |
|--------------|------|------|--|
| CHECKSUM | 7 | rw | Watchdog Setting Check Sum Bit The sum of bits 7:0 needs to have even parity (see Chapter 15.2.3) 0B , Counts as 0 for checksum calculation 1B , Counts as 1 for checksum calculation |
| WD_STM_EN_0 | 6 | rwh | Watchdog Deactivation during Stop Mode, bit 0 (Chapter 15.2.4) 0B , Watchdog is active in Stop Mode 1B , Watchdog is deactivated in Stop Mode |
| WD_WIN | 5 | rw | Watchdog Type Selection 0B , Watchdog works as a Time-Out watchdog 1B , Watchdog works as a Window watchdog |
| WD_EN_WK_BUS | 4 | rw | Watchdog Enable after Bus (CAN/LIN) Wake in SBC Stop Mode 0B , Watchdog will not start after a CAN/LINx wake 1B , Watchdog starts with a long open window after CAN/LINx Wake |
| Reserved | 3 | r | Reserved, always reads as 0 |
| WD_TIMER | 2:0 | rwh | Watchdog Timer Period 000B , 10ms 001B , 20ms 010B , 50ms 011B , 100ms 100B , 200ms 101B , 500ms 110B , 1000ms 111B , reserved |

Notes

1. See also [Chapter 15.2.4](#) for more information on disabling the watchdog in SBC Stop Mode.
2. See [Chapter 15.2.5](#) for more information on the effect of the bit WD_EN_WK_BUS.
3. See [Chapter 15.2.3](#) for calculation of checksum.

Serial Peripheral Interface

BUS_CTRL_1**Bus Control (Address 000 0100_B)****POR / Soft Reset Value: 0010 0000_B; Restart Value: xxxy yyyy_B**

| | | | | | | | |
|------------------|----------------|-------------------|---------------|---------------|--------------|--------------|--------------|
| 7 | 6 | 5 | 4 | 3 | 2 | 1 | 0 |
| LIN_FLASH | LIN_LSM | LIN_TXD_TO | LIN1_1 | LIN1_0 | CAN_2 | CAN_1 | CAN_0 |
| rw | rw | rw | rwh | rwh | rwh | rwh | rwh |

| Field | Bits | Type | Description |
|-------------------|------|------|--|
| LIN_FLASH | 7 | rw | LIN Flash Programming Mode 0B , Slope control mechanism active 1B , Deactivation of slope control for baud rates up to 115kBaud |
| LIN_LSM | 6 | rw | LIN Low-Slope Mode Selection 0B , LIN Normal-Mode is activated 1B , LIN Low-Slope Mode (10.4kBaud) activated |
| LIN_TXD_TO | 5 | rw | LIN TXD Time-Out Control 0B , TXD Time-Out feature disabled 1B , TXD Time-Out feature enabled |
| LIN | 4:3 | rwh | LIN-Module Modes 00B , LIN OFF 01B , LIN is wake capable 10B , LIN Receive Only Mode 11B , LIN Normal Mode |
| CAN | 2:0 | rwh | HS-CAN Module Modes 000B , CAN OFF 001B , CAN is wake capable (no SWK) 010B , CAN Receive Only Mode (no SWK) 011B , CAN Normal Mode (no SWK) 100B , CAN OFF 101B , CAN is wake capable with SWK 110B , CAN Receive Only Mode with SWK 111B , CAN Normal Mode with SWK |

Notes

- Changes in the bits **LIN_FLASH** and **LIN_LSM** will be effective immediately once CSN goes to '1'.
- The reset values for the LIN and CAN transceivers are marked with 'y' because they will vary depending on the cause of change - see below.
- see **Figure 31** and **Figure 38** for detailed state changes of LIN and CAN Transceiver for different SBC modes.
- The bit CAN_2 is not modified by the SBC but can only be changed by the user. Therefore, the access type is 'rw' compared to bits CAN_0 and CAN_1.
- In case SYSERR = 0 and the CAN transceiver is configured to 'x11' while going to SBC Sleep Mode, it will be automatically set to wake capable ('x01'). The SPI bits will be changed to wake capable. If configured to 'x10' and SBC Sleep Mode is entered, then the transceiver is set to wake capable, while it will stay in Receive Only Mode when it had been configured to 'x10' when going to SBC Stop Mode. If it had been configured to wake

Serial Peripheral Interface

capable or OFF then the mode will remain unchanged. The Receive Only Mode has to be selected by the user before entering SBC Stop Mode. Please refer to [Chapter 5.4.4](#) for detailed information on the Selective Wake mode changes.

6. Failure Handling Mechanism: When the device enters Fail-Safe Mode due to a failure (TSD2, WD-Failure,...), then the wake registers [BUS_CTRL_1](#) and [WK_CTRL_2](#) are reset to following values (=wake sources) 'xxx01001' and 'x0x0 0111' in order to ensure that the device can be woken again.

BUS_CTRL_2

Bus Control (Address 000 0101_B)

POR / Soft Reset Value: 0000 0000_B; Restart Value: 00x0 0000_B

| | | | | | | | |
|----------|----------|-----------|----------|----------|----------|----------|----------|
| 7 | 6 | 5 | 4 | 3 | 2 | 1 | 0 |
| Reserved | Reserved | I_PEAK_TH | Reserved | Reserved | Reserved | Reserved | Reserved |
| r | r | rw | r | r | r | r | r |

| Field | Bits | Type | Description |
|-----------|------|------|--|
| Reserved | 7:6 | r | Reserved, always reads as 0 |
| I_PEAK_TH | 5 | rw | VCC1 Active Peak Threshold Selection 0B , low VCC1 active peak threshold selected (ICC1,peak_1) 1B , higher VCC1 active peak threshold selected (ICC1,peak_2) |
| Reserved | 4:0 | r | Reserved, always reads as 0 |

Notes

1. The bit [I_PEAK_TH](#) can be modified in SBC Init and Normal Mode. In SBC Stop Mode this bit is Read only but SPI_FAIL will not be set when trying to modify the bit in SBC STOP Mode and no INT is triggered in case [INT_GLOBAL](#) is set.
2. see [Figure 31](#) for detailed state changes of CAN Transceiver for different SBC modes
3. Failure Handling Mechanism: When the device enters Fail-Safe Mode due to a failure (TSD2, WD-Failure,...), then the wake registers [BUS_CTRL_1](#), and [WK_CTRL_2](#) are reset to following values (=wake sources) 'xxx01001', and 'x0x0 0111' in order to ensure that the device can be woken again.

Serial Peripheral Interface

WK_CTRL_1

Internal Wake Input Control (Address 000 0110_B)POR / Soft Reset Value: 0000 0000_B;Restart Value: xx00 0000_B

| | | | | | | | |
|--------------|--------------|----------|----------|----------|-------------|----------|----------|
| 7 | 6 | 5 | 4 | 3 | 2 | 1 | 0 |
| TIMER2_WK_EN | TIMER1_WK_EN | Reserved | Reserved | Reserved | WD_STM_EN_1 | Reserved | Reserved |
| rw | rw | r | r | r | rwh | r | r |

| Field | Bits | Type | Description |
|--------------|------|------|--|
| TIMER2_WK_EN | 7 | rw | Timer2 Wake Source Control (for cyclic wake) 0B , Timer2 wake disabled 1B , Timer2 is enabled as a wake source |
| TIMER1_WK_EN | 6 | rw | Timer1 Wake Source Control (for cyclic wake) 0B , Timer1 wake disabled 1B , Timer1 is enabled as a wake source |
| Reserved | 5:3 | r | Reserved, always reads as 0 |
| WD_STM_EN_1 | 2 | rwh | Watchdog Deactivation during Stop Mode, bit 1 (Chapter 15.2.4) 0B , Watchdog is active in Stop Mode 1B , Watchdog is deactivated in Stop Mode |
| Reserved | 1:0 | r | Reserved, always reads as 0 |

Serial Peripheral Interface

WK_CTRL_2

External Wake Source Control (Address 000 0111_B)POR / Soft Reset Value: 0000 0111_B; Restart Value: x0x0 0xxx_B

| | | | | | | | |
|------------|----------|---------|----------|----------|--------|--------|--------|
| 7 | 6 | 5 | 4 | 3 | 2 | 1 | 0 |
| INT_GLOBAL | Reserved | WK_MEAS | Reserved | Reserved | WK3_EN | WK2_EN | WK1_EN |
| rw | r | rw | r | r | rw | rw | rw |

| Field | Bits | Type | Description |
|-------------------|------|------|---|
| INT_GLOBAL | 7 | rw | Global Interrupt Configuration (see also Chapter 13.1) 0B , Only wake sources trigger INT (default) 1B , All status information register bits will trigger INT (including all wake sources) |
| Reserved | 6 | r | Reserved, always reads as 0 |
| WK_MEAS | 5 | rw | WK / Measurement selection (see also Chapter 12.2.2) 0B , WK functionality enabled for WK1 and WK2 1B , Measurement functionality enabled; WK1 & WK2 are disabled as wake sources, i.e. bits WK1/2_EN bits are ignored |
| Reserved | 4:3 | r | Reserved, always reads as 0 |
| WK3_EN | 2 | rw | WK3 Wake Source Control 0B , WK3 wake disabled 1B , WK3 is enabled as a wake source |
| WK2_EN | 1 | rw | WK2 Wake Source Control 0B , WK2 wake disabled 1B , WK2 is enabled as a wake source |
| WK1_EN | 0 | rw | WK1 Wake Source Control 0B , WK1 wake disabled 1B , WK1 is enabled as a wake source |

Notes

1. WK_MEAS is by default configured for standard WK functionality (WK1 and WK2). The bits WK1_EN and WK2_EN are ignored in case WK_MEAS is activated. If the bit is set to '1' then the measurement function is enabled during Normal Mode & the bits WK1_EN and WK2_EN are ignored. The bits WK1/"_LVL bits need to be ignored as well.
2. The wake sources LINx and CAN are selected in the register **BUS_CTRL_1** by setting the respective bits to 'wake capable'
3. Failure Handling Mechanism: When the device enters Fail-Safe Mode due to a failure (TSD2, WD-Failure,...), then the wake registers **BUS_CTRL_1** and **WK_CTRL_2** are reset to following values (=wake sources) 'xxx0 1001' and 'x0x0 0111' in order to ensure that the device can be woken again.

Serial Peripheral Interface

WK_PUPD_CTRL

Wake Input Level Control (Address 000 1000_B)POR / Soft Reset Value: 0000 0000_B;Restart Value: 00xx xxxx_B

| | | | | | | | |
|----------|----------|------------|------------|------------|------------|------------|------------|
| 7 | 6 | 5 | 4 | 3 | 2 | 1 | 0 |
| Reserved | Reserved | WK3_PUPD_1 | WK3_PUPD_0 | WK2_PUPD_1 | WK2_PUPD_0 | WK1_PUPD_1 | WK1_PUPD_0 |
| r | r | rw | rw | rw | rw | rw | rw |

| Field | Bits | Type | Description |
|----------|------|------|--|
| Reserved | 7:6 | r | Reserved, always reads as 0 |
| WK3_PUPD | 5:4 | rw | WK3 Pull-Up / Pull-Down Configuration 00B , No pull-up / pull-down selected 01B , Pull-down resistor selected 10B , Pull-up resistor selected 11B , Automatic switching to pull-up or pull-down |
| WK2_PUPD | 3:2 | rw | WK2 Pull-Up / Pull-Down Configuration 00B , No pull-up / pull-down selected 01B , Pull-down resistor selected 10B , Pull-up resistor selected 11B , Automatic switching to pull-up or pull-down |
| WK1_PUPD | 1:0 | rw | WK1 Pull-Up / Pull-Down Configuration 00B , No pull-up / pull-down selected 01B , Pull-down resistor selected 10B , Pull-up resistor selected 11B , Automatic switching to pull-up or pull-down |

Serial Peripheral Interface

WK_FLT_CTRL

Wake Input Filter Time Control (Address 000 1001_B)

POR / Soft Reset Value: 0000 0000_B;

Restart Value: 00xx xxxx_B

| | | | | | | | |
|----------|----------|-----------|-----------|-----------|-----------|-----------|-----------|
| 7 | 6 | 5 | 4 | 3 | 2 | 1 | 0 |
| Reserved | Reserved | WK3_FLT_1 | WK3_FLT_0 | WK2_FLT_1 | WK2_FLT_0 | WK1_FLT_1 | WK1_FLT_0 |
| r | r | rw | rw | rw | rw | rw | rw |

| Field | Bits | Type | Description |
|-----------------|------|------|--|
| Reserved | 7:6 | r | Reserved, always reads as 0 |
| WK3_FLT | 5:4 | rw | WK3 Filter Time Configuration 00B , Configuration A: Filter with 16µs filter time (static sensing) 01B , Configuration B: Filter with 64µs filter time (static sensing) 10B , Configuration C: Filtering at the end of the on-time; a filter time of 16µs (cyclic sensing) is selected, Timer1 11B , Configuration D: Filtering at the end of the on-time; a filter time of 16µs (cyclic sensing) is selected, Timer2 |
| WK2_FLT | 3:2 | rw | WK2 Filter Time Configuration 00B , Configuration A: Filter with 16µs filter time (static sensing) 01B , Configuration B: Filter with 64µs filter time (static sensing) 10B , Configuration C: Filtering at the end of the on-time; a filter time of 16µs (cyclic sensing) is selected, Timer1 11B , Configuration D: Filtering at the end of the on-time; a filter time of 16µs (cyclic sensing) is selected, Timer2 |
| WK1_FLT | 1:0 | rw | WK1 Filter Time Configuration 00B , Configuration A: Filter with 16µs filter time (static sensing) 01B , Configuration B: Filter with 64µs filter time (static sensing) 10B , Configuration C: Filtering at the end of the on-time; a filter time of 16µs (cyclic sensing) is selected, Timer1 11B , Configuration D: Filtering at the end of the on-time; a filter time of 16µs (cyclic sensing) is selected, Timer2 |

Note: When selecting a filter time configuration, the user must make sure to also assign the respective timer to at least one HS switch during cyclic sense operation

Serial Peripheral Interface

TIMER1_CTRL

Timer1 Control and Selection (Address 000 1100_B)POR / Soft Reset Value: 0000 0000_B;Restart Value: 0000 0000_B

| | | | | | | | |
|----------|-----------------|-----------------|-----------------|----------|------------------|------------------|------------------|
| 7 | 6 | 5 | 4 | 3 | 2 | 1 | 0 |
| Reserved | TIMER1_ ON_2 | TIMER1_ ON_1 | TIMER1_ ON_0 | Reserved | TIMER1_ PER_2 | TIMER1_ PER_1 | TIMER1_ PER_0 |
| r | rwh | rwh | rwh | r | rwh | rwh | rwh |

| Field | Bits | Type | Description |
|----------------|------|------|--|
| Reserved | 7 | r | Reserved, always reads as 0 |
| TIMER1_ ON | 6:4 | rwh | Timer1 On-Time Configuration 000B , OFF / Low (timer not running, HSx output is low) 001B , 0.1ms on-time 010B , 0.3ms on-time 011B , 1.0ms on-time 100B , 10ms on-time 101B , 20ms on-time 110B , OFF / HIGH (timer not running, HSx output is high) 111B , reserved |
| Reserved | 3 | r | Reserved, always reads as 0 |
| TIMER1_ PER | 2:0 | rwh | Timer1 Period Configuration 000B , 10ms 001B , 20ms 010B , 50ms 011B , 100ms 100B , 200ms 101B , 1s 110B , 2s 111B , reserved |

Notes

1. A timer must be first assigned and is then automatically activated as soon as the on-time is configured.
2. If cyclic sense is selected and the HS switches are cleared during SBC Restart Mode, then also the timer settings (period and on-time) are cleared to avoid incorrect switch detection.
3. In case the timer are set as wake sources and cyclic sense is running, then both cyclic sense and cyclic wake will be active at the same time.

Serial Peripheral Interface

TIMER2_CTRL

Timer2 Control and selection (Address 000 1101_B)POR / Soft Reset Value: 0000 0000_B;Restart Value: 0000 0000_B

| | | | | | | | |
|----------|-----------------|-----------------|-----------------|----------|------------------|------------------|------------------|
| 7 | 6 | 5 | 4 | 3 | 2 | 1 | 0 |
| Reserved | TIMER2_ ON_2 | TIMER2_ ON_1 | TIMER2_ ON_0 | Reserved | TIMER2_ PER_2 | TIMER2_ PER_1 | TIMER2_ PER_0 |
| r | rwh | rwh | rwh | r | rwh | rwh | rwh |

| Field | Bits | Type | Description |
|----------------|------|------|--|
| Reserved | 7 | r | Reserved, always reads as 0 |
| TIMER2_ ON | 6:4 | rwh | Timer2 On-Time Configuration 000B , OFF / Low (timer not running, HSx output is low) 001B , 0.1ms on-time 010B , 0.3ms on-time 011B , 1.0ms on-time 100B , 10ms on-time 101B , 20ms on-time 110B , OFF / HIGH (timer not running, HSx output is high) 111B , reserved |
| Reserved | 3 | r | Reserved, always reads as 0 |
| TIMER2_ PER | 2:0 | rwh | Timer2 Period Configuration 000B , 10ms 001B , 20ms 010B , 50ms 011B , 100ms 100B , 200ms 101B , 1s 110B , 2s 111B , reserved |

Notes

1. A timer must be first assigned and is then automatically activated as soon as the on-time is configured.
2. If cyclic sense is selected and the HS switches are cleared during SBC Restart Mode, then also the timer settings (period and on-time) are cleared to avoid incorrect switch detection.

Serial Peripheral Interface

SW_SD_CTRL

Switch Shutdown Control (Address 001 0000_B)POR / Soft Reset Value: 0000 0000_B;Restart Value: 0xxx 0000_B

| | | | | | | | |
|----------|-------------|-------------|--------------|----------|----------|----------|----------|
| 7 | 6 | 5 | 4 | 3 | 2 | 1 | 0 |
| Reserved | HS_OV_SD_EN | HS_UV_SD_EN | HS_OV_UV_REC | Reserved | Reserved | Reserved | Reserved |
| r | rw | rw | rw | r | r | r | r |

| Field | Bits | Type | Description |
|--------------|------|------|---|
| Reserved | 7 | r | Reserved, always reads as 0 |
| HS_OV_SD_EN | 6 | rw | Shutdown Disabling of HS1...4 in case of VSHS OV 0B , shutdown enabled in case of VSHS OV 1B , shutdown disabled in case of VSHS OV |
| HS_UV_SD_EN | 5 | rw | Shutdown Disabling of HS1...4 in case of VSHS UV 0B , shutdown enabled in case of VSHS UV 1B , shutdown disabled in case of VSHS UV |
| HS_OV_UV_REC | 4 | rw | Switch Recovery after Removal of VSHS OV/UV for HS1...4 0B , Switch recovery is disabled 1B , Previous state before VSHS OV/UV is enabled after OV/UV condition is removed |
| Reserved | 3:0 | r | Reserved, always reads as 0 |

Serial Peripheral Interface

HS_CTRL1

High-Side Switch Control 1 (Address 001 0100_B)

POR / Soft Reset Value: 0000 0000_B;

Restart Value: 0000 0000_B

| | | | | | | | |
|-----------------|--------------|--------------|--------------|-----------------|--------------|--------------|--------------|
| 7 | 6 | 5 | 4 | 3 | 2 | 1 | 0 |
| Reserved | HS2_2 | HS2_1 | HS2_0 | Reserved | HS1_2 | HS1_1 | HS1_0 |
| rw | rwh | rwh | rwh | r | rwh | rwh | rwh |

| Field | Bits | Type | Description |
|-----------------|------|------|---|
| Reserved | 7 | r | Reserved, always reads as 0 |
| HS2 | 6:4 | rwh | HS2 Configuration 000B , Off 001B , On 010B , Controlled by Timer1 011B , Controlled by Timer2 100B , Controlled by PWM1 101B , Controlled by PWM2 110B , Reserved 111B , Reserved |
| Reserved | 3 | r | Reserved, always reads as 0 |
| HS1 | 2:0 | rwh | HS1 Configuration 000B , Off 001B , On 010B , Controlled by Timer1 011B , Controlled by Timer2 100B , Controlled by PWM1 101B , Controlled by PWM2 110B , Reserved 111B , Reserved |

Note: The bits for the switches are also reset in case of overcurrent and overtemperature.

Serial Peripheral Interface
HS_CTRL2**High-Side Switch Control 2 (Address 001 0101_B)****POR / Soft Reset Value: 0000 0000_B;****Restart Value: 0000 0000_B**

| | | | | | | | |
|-----------------|--------------|--------------|--------------|-----------------|--------------|--------------|--------------|
| 7 | 6 | 5 | 4 | 3 | 2 | 1 | 0 |
| Reserved | HS4_2 | HS4_1 | HS4_0 | Reserved | HS3_2 | HS3_1 | HS3_0 |
| r | rwh | rwh | rwh | r | rwh | rwh | rwh |

| Field | Bits | Type | Description |
|-----------------|------|------|---|
| Reserved | 7 | r | Reserved, always reads as 0 |
| HS4 | 6:4 | rwh | HS4 Configuration 000B , Off 001B , On 010B , Controlled by Timer1 011B , Controlled by Timer2 100B , Controlled by PWM1 101B , Controlled by PWM2 110B , Reserved 111B , Reserved |
| Reserved | 3 | r | Reserved, always reads as 0 |
| HS3 | 2:0 | rwh | HS3 Configuration 000B , Off 001B , On 010B , Controlled by Timer1 011B , Controlled by Timer2 100B , Controlled by PWM1 101B , Controlled by PWM2 110B , Reserved 111B , Reserved |

Note: The bits for the switches are also reset in case of overcurrent and overtemperature.

Serial Peripheral Interface

GPIO_CTRL

GPIO Configuration Control (Address 001 0111_B)

POR / Soft Reset Value: 0000 0000_B;

Restart Value: xxxx xxxx_B

| | | | | | | | |
|----------------|----------------|----------------|----------------|----------------|----------------|----------------|----------------|
| 7 | 6 | 5 | 4 | 3 | 2 | 1 | 0 |
| FO_DC_1 | FO_DC_0 | GPIO2_2 | GPIO2_1 | GPIO2_0 | GPIO1_2 | GPIO1_1 | GPIO1_0 |
| rw | rw | rw | rw | rw | rw | rw | rw |

| Field | Bits | Type | Description |
|--------------|------|------|---|
| FO_DC | 7:6 | rw | Duty Cycle Configuration of FO3 (if selected) 00B , 20% 01B , 10% 10B , 5% 11B , 2.5% |
| GPIO2 | 5:3 | rw | GPIO2 Configuration 000B , FO3 selected 001B , FO3 selected 010B , FO3 selected 011B , FO3 selected 100B , OFF 101B , Wake input enabled (16µs static filter) 110B , Low-Side Switch ON 111B , High-Side Switch ON |
| GPIO1 | 2:0 | rw | GPIO1 Configuration 000B , FO2 selected 001B , FO2 selected 010B , FO2 selected 011B , FO2 selected 100B , OFF 101B , Wake input enabled (16µs static filter) 110B , Low-Side Switch ON 111B , High-Side Switch ON |

Note: When selecting a filter time configuration, the user must make sure to also assign the respective timer to at least one HS switch during cyclic sense operation

Serial Peripheral Interface

PWM1_CTRL**PWM1 Configuration Control (Address 001 1000_B)****POR / Soft Reset Value: 0000 0000_B;****Restart Value: xxxx xxxx_B**

| | | | | | | | |
|-----------|-----------|-----------|-----------|-----------|-----------|-----------|-----------|
| 7 | 6 | 5 | 4 | 3 | 2 | 1 | 0 |
| PWM1_DC_7 | PWM1_DC_6 | PWM1_DC_5 | PWM1_DC_4 | PWM1_DC_3 | PWM1_DC_2 | PWM1_DC_1 | PWM1_DC_0 |
| rw | rw | rw | rw | rw | rw | rw | rw |

| Field | Bits | Type | Description |
|----------------|------|------|---|
| PWM1_DC | 7:0 | rw | PWM1 Duty Cycle (bit0=LSB; bit7=MSB) 0000 0000B, 100% OFF xxxx xxxx B, ON with DC fraction of 255 1111 1111B, 100% ON |

Note: The min. On-time during PWM is limited by the actual Ton and Toff time of the respective HS switch, e.g. the PWM setting '000 0001' could not be realized.

PWM2_CTRL**PWM2 Configuration Control (Address 001 1001_B)****POR / Soft Reset Value: 0000 0000_B;****Restart Value: xxxx xxxx_B**

| | | | | | | | |
|-----------|-----------|-----------|-----------|-----------|-----------|-----------|-----------|
| 7 | 6 | 5 | 4 | 3 | 2 | 1 | 0 |
| PWM2_DC_7 | PWM2_DC_6 | PWM2_DC_5 | PWM2_DC_4 | PWM2_DC_3 | PWM2_DC_2 | PWM2_DC_1 | PWM2_DC_0 |
| rw | rw | rw | rw | rw | rw | rw | rw |

| Field | Bits | Type | Description |
|----------------|------|------|--|
| PWM2_DC | 7:0 | rw | PWM2 Duty Cycle (bit0=LSB; bit7=MSB) 0000 0000B, 100% OFF xxxx xxxxB, ON with DC fraction of 255 1111 1111B, 100% ON |

Note: The min. On-time during PWM is limited by the actual Ton and Toff time of the respective HS switch, e.g. the PWM setting '000 0001' could not be realized.

Serial Peripheral Interface

PWM_FREQ_CTRL**PWM Frequency Configuration Control (Address 001 1100_B)****POR / Soft Reset Value: 0000 0000_B;****Restart Value: 0000 0x0x_B**

| | | | | | | | |
|----------|----------|----------|----------|----------|-----------|----------|-----------|
| 7 | 6 | 5 | 4 | 3 | 2 | 1 | 0 |
| Reserved | Reserved | Reserved | Reserved | Reserved | PWM2_FREQ | Reserved | PWM1_FREQ |
| r | r | r | r | r | rw | r | rw |

| Field | Bits | Type | Description |
|-----------|------|------|---|
| Reserved | 7:3 | r | Reserved, always reads as 0 |
| PWM2_FREQ | 2 | rw | PWM2 Frequency Selection 0B , 200Hz configuration 1B , 400Hz configuration |
| Reserved | 1 | r | Reserved, always reads as 0 |
| PWM1_FREQ | 0 | rw | PWM1 Frequency Selection 0B , 200Hz configuration 1B , 400Hz configuration |

Note: The min. On-time during PWM is limited by the actual Ton and Toff time of the respective HS switch, e.g. the PWM setting '000 0001' could not be realized.

SYS_STATUS_CTRL**System Status Control (Address 001 1110_B)****POR Value: 0000 0000_B;****Restart Value/Soft Reset Value: xxxx xxxx_B**

| | | | | | | | |
|------------|------------|------------|------------|------------|------------|------------|------------|
| 7 | 6 | 5 | 4 | 3 | 2 | 1 | 0 |
| SYS_STAT_7 | SYS_STAT_6 | SYS_STAT_5 | SYS_STAT_4 | SYS_STAT_3 | SYS_STAT_2 | SYS_STAT_1 | SYS_STAT_0 |
| rw | rw | rw | rw | rw | rw | rw | rw |

| Field | Bits | Type | Description |
|----------|------|------|--|
| SYS_STAT | 7:0 | rw | System Status Control Byte (bit0=LSB; bit7=MSB) Dedicated byte for system configuration, access only by microcontroller. Cleared after power up and Soft Reset |

Notes

1. The **SYS_STATUS_CTRL** register is an exception for the default values, i.e. it will keep its configured value also after a Soft Reset.
2. This byte is intended for storing system configurations of the ECU by the microcontroller and is only accessible in SBC Normal Mode. The byte is not accessible by the SBC and is also not cleared after Fail-Safe or SBC Restart Mode. It allows the microcontroller to quickly store system configuration without losing the data.

Serial Peripheral Interface

16.5.2 Selective Wake Control Registers

SWK_CTRL

CAN Selective Wake Control (Address 010 0000_B)POR / Soft Reset Value: 0000 0000_B;Restart Value: xxxx 0000_B

| | | | | | | | |
|---------|-----------|-----------|------------|----------|----------|----------|---------|
| 7 | 6 | 5 | 4 | 3 | 2 | 1 | 0 |
| OSC_CAL | TRIM_EN_1 | TRIM_EN_0 | CANTO_MASK | Reserved | Reserved | Reserved | CFG_VAL |
| rw | rw | rw | rw | r | r | r | rwh |

| Field | Bits | Type | Description |
|------------|------|------|---|
| OSC_CAL | 7 | rw | Oscillator Calibration Mode 0B , Oscillator Calibration is disabled 1B , Oscillator Calibration is enabled |
| TRIM_EN | 6:5 | rw | (Un)locking mechanism of oscillator recalibration 00B , locked 01B , locked 10B , locked 11B , unlocked |
| CANTO_MASK | 4 | rw | CAN Time Out Masking 0B , CAN time-out is masked - no interrupt (on pin INT) is triggered 1B , CAN time-out is signaled on INT |
| Reserved | 3:1 | r | Reserved, always reads as 0 |
| CFG_VAL | 0 | rwh | SWK Configuration valid 0B , Configuration is not valid (SWK not possible) 1B , SWK configuration valid, needs to be set to enable SWK |

Notes

1. TRIM_EN unlocks the oscillation calibration mode. Only the bit combination '11' is the valid unlock. The pin TXDCAN is used for oscillator synchronisation (trimming).
2. The microcontroller needs to validate the SWK configuration and set 'CFG_VAL' to '1'. The SBC will only enable SWK if 'CFG_VAL' is '1'. The bit will be cleared automatically by the SBC after a wake up or POR or if a SWK configuration data is changed by the microcontroller.
3. CANTO bit will only be updated inside BUS_STAT while CAN_2 is set. Therefore, an interrupt is only signaled upon occurrence of CANTO while CAN_2 (SWK is enabled) is set in SBC Normal and Stop Mode.
4. TRIM_EN also unlocks the writing to the SWK_OPT_CTRL register in order to enable the alternate low-power Receiver for Selective wake to optimize the quiescent current consumption. Only the bit combination '11' unlocks the calibrations / configurations.
5. In SBC stop-mode, any write command to a CAN or SWK configuration register will lead to CFG_VAL be set to '0' (SWK becomes invalid).

Serial Peripheral Interface

SWK_BTL1_CTRL**SWK Bit Timing Logic Control1 (Address 010 0001_B)****POR / Soft Reset Value: 1010 0000_B; Restart Value: xxxx xxxx_B**

| | | | | | | | |
|---------------|---------------|---------------|---------------|---------------|---------------|---------------|---------------|
| 7 | 6 | 5 | 4 | 3 | 2 | 1 | 0 |
| TBIT_7 | TBIT_6 | TBIT_5 | TBIT_4 | TBIT_3 | TBIT_2 | TBIT_1 | TBIT_0 |
| rw | rw | rw | rw | rw | rw | rw | rw |

| Field | Bits | Type | Description |
|-------------|------|------|---|
| TBIT | 7:0 | rw | Number of Time Quanta in a Bit Time Represents the number of time quanta in a bit time. Quanta is depending on SEL_OSC_CLK <1:0> from the SWK_CDR_CTRL2 register. |

SWK_BTL2_CTRL**SWK Bit Timing Control2 (Address 010 0010_B)****POR / Soft Reset Value: 0011 0011_B; Restart Value: xxxx xxxx_B**

| | | | | | | | |
|----------|----------|-------------|-------------|-------------|-------------|-------------|-------------|
| 7 | 6 | 5 | 4 | 3 | 2 | 1 | 0 |
| reserved | reserved | SP_5 | SP_4 | SP_3 | SP_2 | SP_1 | SP_0 |
| r | r | rw | rw | rw | rw | rw | rw |

| Field | Bits | Type | Description |
|-----------------|------|------|---|
| Reserved | 7:6 | r | Reserved, always reads as 0 |
| SP | 5:0 | rw | Sampling Point Position Represents the sampling point position (fractional number < 1). Example: 0011 0011 = 0.796875 (~80%) |

SWK_ID3_CTRL**SWK WUF Identifier bits 28...21 (Address 010 0011_B)****POR / Soft Reset Value: 0000 0000_B; Restart Value: xxxx xxxx_B**

| | | | | | | | |
|-------------|-------------|-------------|-------------|-------------|-------------|-------------|-------------|
| 7 | 6 | 5 | 4 | 3 | 2 | 1 | 0 |
| ID28 | ID27 | ID26 | ID25 | ID24 | ID23 | ID22 | ID21 |
| rw | rw | rw | rw | rw | rw | rw | rw |

| Field | Bits | Type | Description |
|----------------|------|------|------------------------------------|
| ID28_21 | 7:0 | rw | WUF Identifier Bits 28...21 |

Note: Please note the configuration of the standard identifier and extended identifier. The standard identifier is configured to the bits ID18...ID28

Serial Peripheral Interface

SWK_ID2_CTRL**SWK WUF Identifier bits 20...13 (Address 010 0100_B)****POR / Soft Reset Value: 0000 0000_B; Restart Value: xxxx xxxx_B**

| | | | | | | | |
|-------------|-------------|-------------|-------------|-------------|-------------|-------------|-------------|
| 7 | 6 | 5 | 4 | 3 | 2 | 1 | 0 |
| ID20 | ID19 | ID18 | ID17 | ID16 | ID15 | ID14 | ID13 |
| rw | rw | rw | rw | rw | rw | rw | rw |

| Field | Bits | Type | Description |
|----------------|------|------|------------------------------------|
| ID20_13 | 7:0 | rw | WUF Identifier Bits 20...13 |

SWK_ID1_CTRL**SWK WUF Identifier bits 12...5 (Address 010 0101_B)****POR / Soft Reset Value: 0000 0000_B; Restart Value: xxxx xxxx_B**

| | | | | | | | |
|-------------|-------------|-------------|------------|------------|------------|------------|------------|
| 7 | 6 | 5 | 4 | 3 | 2 | 1 | 0 |
| ID12 | ID11 | ID10 | ID9 | ID8 | ID7 | ID6 | ID5 |
| rw | rw | rw | rw | rw | rw | rw | rw |

| Field | Bits | Type | Description |
|---------------|------|------|-----------------------------------|
| ID12_5 | 7:0 | rw | WUF Identifier Bits 12...5 |

SWK_ID0_CTRL**SWK WUF Identifier bits 4...0 (Address 010 0110_B)****POR / Soft Reset Value: 0000 0000_B; Restart Value: 0xxx xxxx_B**

| | | | | | | | |
|-----------------|------------|------------|------------|------------|------------|------------|------------|
| 7 | 6 | 5 | 4 | 3 | 2 | 1 | 0 |
| reserved | ID4 | ID3 | ID2 | ID1 | ID0 | RTR | IDE |
| rw | rw | rw | rw | rw | rw | rw | rw |

| Field | Bits | Type | Description |
|-----------------|------|------|---|
| Reserved | 7 | r | Reserved, always reads as 0 |
| ID4_0 | 6:2 | rw | WUF Identifier Bits 4..0 |
| RTR | 1 | rw | Remote Transmission Request Field (acc. ISO 11898-1) 0B , Normal Data Frame 1B , Remote Transmission Request |
| IDE | 0 | rw | Identifier Extension Bit 0B , Standard Identifier Length (11 bit) 1B , Extended Identifier Length (29 bit) |

Serial Peripheral Interface

Note: The setting RTR = 1 is not allowed for wake-up frames according to the ISO11898-2:2016

Serial Peripheral Interface

SWK_MASK_ID3_CTRL

SWK WUF Identifier Mask bits 28...21 (Address 010 0111_B)

POR / Soft Reset Value: 0000 0000_B; Restart Value: xxxx xxxx_B

| | | | | | | | |
|------------------|------------------|------------------|------------------|------------------|------------------|------------------|------------------|
| 7 | 6 | 5 | 4 | 3 | 2 | 1 | 0 |
| MASK_ID28 | MASK_ID27 | MASK_ID26 | MASK_ID25 | MASK_ID24 | MASK_ID23 | MASK_ID22 | MASK_ID21 |
| rw | rw | rw | rw | rw | rw | rw | rw |

| Field | Bits | Type | Description |
|---------------------|------|------|---|
| MASK_ID28_21 | 7:0 | rw | WUF Identifier Mask Bits 28...21 0B , Unmasked - bit is ignored 1B , Masked - bit is compared in CAN frame |

Note: Masking WUF bits is done by setting the respective MASK bit to '1'

SWK_MASK_ID2_CTRL

SWK WUF Identifier Mask bits 20...13 (Address 010 1000_B)

POR / Soft Reset Value: 0000 0000_B; Restart Value: xxxx xxxx_B

| | | | | | | | |
|------------------|------------------|------------------|------------------|------------------|------------------|------------------|------------------|
| 7 | 6 | 5 | 4 | 3 | 2 | 1 | 0 |
| MASK_ID20 | MASK_ID19 | MASK_ID18 | MASK_ID17 | MASK_ID16 | MASK_ID15 | MASK_ID14 | MASK_ID13 |
| rw | rw | rw | rw | rw | rw | rw | rw |

| Field | Bits | Type | Description |
|---------------------|------|------|---|
| MASK_ID20_13 | 7:0 | rw | WUF Identifier Mask Bits 20...13 0B , Unmasked - bit is ignored 1B , Masked - bit is compared in CAN frame |

Serial Peripheral Interface

SWK_MASK_ID1_CTRL**SWK WUF Identifier Mask bits 12...5 (Address 010 1001_B)****POR / Soft Reset Value: 0000 0000_B; Restart Value: xxxx xxxx_B**

| | | | | | | | |
|------------------|------------------|------------------|-----------------|-----------------|-----------------|-----------------|-----------------|
| 7 | 6 | 5 | 4 | 3 | 2 | 1 | 0 |
| MASK_ID12 | MASK_ID11 | MASK_ID10 | MASK_ID9 | MASK_ID8 | MASK_ID7 | MASK_ID6 | MASK_ID5 |
| rw | rw | rw | rw | rw | rw | rw | rw |

| Field | Bits | Type | Description |
|--------------------|------|------|--|
| MASK_ID12_5 | 7:0 | rw | WUF Identifier Mask Bits 12...5 0B , Unmasked - bit is ignored 1B , Masked - bit is compared in CAN frame |

SWK_MASK_ID0_CTRL**SWK WUF Identifier bits 4...0 (Address 010 1010_B)****POR / Soft Reset Value: 0000 0000_B; Restart Value: 0xxx xx00_B**

| | | | | | | | |
|-----------------|-----------------|-----------------|-----------------|-----------------|-----------------|-----------------|-----------------|
| 7 | 6 | 5 | 4 | 3 | 2 | 1 | 0 |
| Reserved | MASK_ID4 | MASK_ID3 | MASK_ID2 | MASK_ID1 | MASK_ID0 | Reserved | Reserved |
| rw | rw | rw | rw | rw | rw | r | r |

| Field | Bits | Type | Description |
|-------------------|------|------|--|
| Reserved | 7 | r | Reserved, always reads as 0 |
| MASK_ID4_0 | 6:2 | rw | WUF Identifier MASK Bits 4..0 0B , Unmasked - bit is ignored 1B , Masked - bit is compared in CAN frame |
| Reserved | 1:0 | r | Reserved, always reads as 0 |

Serial Peripheral Interface

SWK_DLC_CTRL**SWK Frame Data Length Code Control (Address 010 1011_B)****POR / Soft Reset Value: 0000 0000_B; Restart Value: 0000 xxxx_B**

| | | | | | | | |
|----------|----------|----------|----------|-------|-------|-------|-------|
| 7 | 6 | 5 | 4 | 3 | 2 | 1 | 0 |
| Reserved | Reserved | Reserved | Reserved | DLC_3 | DLC_2 | DLC_1 | DLC_0 |
| r | r | r | r | rw | rw | rw | rw |

| Field | Bits | Type | Description |
|----------|------|------|--|
| Reserved | 7:4 | r | Reserved, always reads as 0 |
| DLC | 3:0 | rw | Payload length in number of bytes 0000B, Frame Data Length = 0 or cleared 0001B, Frame Data Length = 1 0010B, Frame Data Length = 2 0011B, Frame Data Length = 3 0100B, Frame Data Length = 4 0101B, Frame Data Length = 5 0110B, Frame Data Length = 6 0111B, Frame Data Length = 7 from 1000B to 1111B Frame Data Length = 8 |

Note: The number of bytes in the data field has to be indicated by the DLC. The DLC consists of four bits. The admissible number of data bytes for a data frame ranges from zero to eight. DLCs in the range of zero to seven shall indicate data fields of length of zero to seven bytes. DLCs in the range from eight to fifteen indicate data fields of length of eight byte. The configured DLC value has to match bit by bit with the DLC in the received wake-up frame (refer also to [Chapter 5.4.2.3](#)).

SWK_DATA7_CTRL**SWK Data7 Register (Address 010 1100_B)****POR / Soft Reset Value: 0000 0000_B; Restart Value: xxxx xxxx_B**

| | | | | | | | |
|---------|---------|---------|---------|---------|---------|---------|---------|
| 7 | 6 | 5 | 4 | 3 | 2 | 1 | 0 |
| DATA7_7 | DATA7_6 | DATA7_5 | DATA7_4 | DATA7_3 | DATA7_2 | DATA7_1 | DATA7_0 |
| rw | rw | rw | rw | rw | rw | rw | rw |

| Field | Bits | Type | Description |
|-------|------|------|--|
| DATA7 | 7:0 | rw | Data7 byte content(bit0=LSB; bit7=MSB) |

Serial Peripheral Interface

SWK_DATA6_CTRL**SWK Data6 Register (Address 010 1101_B)****POR / Soft Reset Value: 0000 0000_B; Restart Value: xxxx xxxx_B**

| | | | | | | | |
|---------|---------|---------|---------|---------|---------|---------|---------|
| 7 | 6 | 5 | 4 | 3 | 2 | 1 | 0 |
| DATA6_7 | DATA6_6 | DATA6_5 | DATA6_4 | DATA6_3 | DATA6_2 | DATA6_1 | DATA6_0 |
| rw | rw | rw | rw | rw | rw | rw | rw |

| Field | Bits | Type | Description |
|-------|------|------|---|
| DATA6 | 7:0 | rw | Data6 byte content (bit0=LSB; bit7=MSB) |

SWK_DATA5_CTRL**SWK Data5 Register (Address 010 1110_B)****POR / Soft Reset Value: 0000 0000_B; Restart Value: xxxx xxxx_B**

| | | | | | | | |
|---------|---------|---------|---------|---------|---------|---------|---------|
| 7 | 6 | 5 | 4 | 3 | 2 | 1 | 0 |
| DATA5_7 | DATA5_6 | DATA5_5 | DATA5_4 | DATA5_3 | DATA5_2 | DATA5_1 | DATA5_0 |
| rw | rw | rw | rw | rw | rw | rw | rw |

| Field | Bits | Type | Description |
|-------|------|------|---|
| DATA5 | 7:0 | rw | Data5 byte content (bit0=LSB; bit7=MSB) |

SWK_DATA4_CTRL**SWK Data4 Register (Address 010 1111_B)****POR / Soft Reset Value: 0000 0000_B; Restart Value: xxxx xxxx_B**

| | | | | | | | |
|---------|---------|---------|---------|---------|---------|---------|---------|
| 7 | 6 | 5 | 4 | 3 | 2 | 1 | 0 |
| DATA4_7 | DATA4_6 | DATA4_5 | DATA4_4 | DATA4_3 | DATA4_2 | DATA4_1 | DATA4_0 |
| rw | rw | rw | rw | rw | rw | rw | rw |

| Field | Bits | Type | Description |
|-------|------|------|---|
| DATA4 | 7:0 | rw | Data4 byte content (bit0=LSB; bit7=MSB) |

SWK_DATA3_CTRL**SWK Data3 Register (Address 011 0000_B)****POR / Soft Reset Value: 0000 0000_B; Restart Value: xxxx xxxx_B**

| | | | | | | | |
|---------|---------|---------|---------|---------|---------|---------|---------|
| 7 | 6 | 5 | 4 | 3 | 2 | 1 | 0 |
| DATA3_7 | DATA3_6 | DATA3_5 | DATA3_4 | DATA3_3 | DATA3_2 | DATA3_1 | DATA3_0 |
| rw | rw | rw | rw | rw | rw | rw | rw |

Serial Peripheral Interface

| Field | Bits | Type | Description |
|--------------|-------------|-------------|--|
| DATA3 | 7:0 | rw | Data3 byte content (bit0=LSB; bit7=MSB) |

Serial Peripheral Interface

SWK_DATA2_CTRL**SWK Data2 Register (Address 011 0001_B)****POR / Soft Reset Value: 0000 0000_B; Restart Value: xxxx xxxx_B**

| | | | | | | | |
|---------|---------|---------|---------|---------|---------|---------|---------|
| 7 | 6 | 5 | 4 | 3 | 2 | 1 | 0 |
| DATA2_7 | DATA2_6 | DATA2_5 | DATA2_4 | DATA2_3 | DATA2_2 | DATA2_1 | DATA2_0 |
| rw | rw | rw | rw | rw | rw | rw | rw |

| Field | Bits | Type | Description |
|-------|------|------|---|
| DATA2 | 7:0 | rw | Data2 byte content (bit0=LSB; bit7=MSB) |

SWK_DATA1_CTRL**SWK Data1 Register (Address 011 0010_B)****POR / Soft Reset Value: 0000 0000_B; Restart Value: xxxx xxxx_B**

| | | | | | | | |
|---------|---------|---------|---------|---------|---------|---------|---------|
| 7 | 6 | 5 | 4 | 3 | 2 | 1 | 0 |
| DATA1_7 | DATA1_6 | DATA1_5 | DATA1_4 | DATA1_3 | DATA1_2 | DATA1_1 | DATA1_0 |
| rw | rw | rw | rw | rw | rw | rw | rw |

| Field | Bits | Type | Description |
|-------|------|------|---|
| DATA1 | 7:0 | rw | Data1 byte content (bit0=LSB; bit7=MSB) |

SWK_DATA0_CTRL**SWK Data0 Register (Address 011 0011_B)****POR / Soft Reset Value: 0000 0000_B; Restart Value: xxxx xxxx_B**

| | | | | | | | |
|---------|---------|---------|---------|---------|---------|---------|---------|
| 7 | 6 | 5 | 4 | 3 | 2 | 1 | 0 |
| DATA0_7 | DATA0_6 | DATA0_5 | DATA0_4 | DATA0_3 | DATA0_2 | DATA0_1 | DATA0_0 |
| rw | rw | rw | rw | rw | rw | rw | rw |

| Field | Bits | Type | Description |
|-------|------|------|---|
| DATA0 | 7:0 | rw | Data0 byte content (bit0=LSB; bit7=MSB) |

SWK_CAN_FD_CTRL**CAN FD Configuration Control Register (Address 011 0100_B)****POR / Soft Reset Value: 0000 0000_B; Restart Value: 00xx xxxx_B**

| | | | | | | | |
|----------|----------|-------------|---------------|-------------|-------------|-------------|-----------|
| 7 | 6 | 5 | 4 | 3 | 2 | 1 | 0 |
| Reserved | Reserved | DIS_ERR_CNT | RX_FILTER_BYP | FD_FILTER_2 | FD_FILTER_1 | FD_FILTER_0 | CAN_FD_EN |
| r | r | rwh | rw | rw | rw | rw | rw |

Serial Peripheral Interface

| Field | Bits | Type | Description |
|--------------------|------|------|---|
| Reserved | 7:6 | r | Reserved, always reads as 0 |
| DIS_ERR_CNT | 5 | rwh | Error Counter Disable Function 0B , Error Counter is enabled during SWK 1B , Error counter is disabled during SWK only if CAN_FD_EN = '1' |
| RX_FILT_BYP | 4 | rw | RX Receiver Filter Bypass 0B , RX Filter not bypassed 1B , RX Filter bypassed |
| FD_FILTER | 3:1 | rw | CAN FD Dominant Filter Time 000B , 50 ns 001B , 100 ns 010B , 150 ns 011B , 200 ns 100B , 250 ns 101B , 300 ns 110B , 350 ns 111B , 775 ns |
| CAN_FD_EN | 0 | rw | Enable CAN FD Tolerant Mode 0B , CAN FD Tolerant Mode disabled 1B , CAN FD Tolerant Mode enabled |

Note: The bit **RX_FILT_BYP** is bypassing the analog filter in the CAN receiver path; The **FD_FILTER** is not in the analog path of the CAN receiver and is not bypassed.

Note: **DIS_ERR_CNT** is cleared by the SBC at tsilence expiration.

Serial Peripheral Interface

16.5.3 Selective Wake Trimming and Calibration Control Registers

SWK_OSC_TRIM_CTRL**SWK Oscillator Trimming Register (Address 011 1000_B)****POR / Soft Reset Value: xxxx xxxx_B; Restart Value: xxxx xxxx_B**

| | | | | | | | |
|------------|------------|------------|------------|------------|------------|------------|------------|
| 7 | 6 | 5 | 4 | 3 | 2 | 1 | 0 |
| TRIM_OSC_7 | TRIM_OSC_6 | TRIM_OSC_5 | TRIM_OSC_4 | TRIM_OSC_3 | TRIM_OSC_2 | TRIM_OSC_1 | TRIM_OSC_0 |
| rw | rw | rw | rw | rw | rw | rw | rw |

| Field | Bits | Type | Description |
|----------|------|------|--|
| TRIM_OSC | 7:0 | rw | Oscillator trimming (bit0=LSB; bit7=MSB); (only writable if TRIM_EN = '11') |

Note: TRIM_OSC[0:4] represent the 32-steps fine trimming range with a monotonous behavior from slower to faster frequency. The step width is ~0.25MHz.

TRIM_OSC[5:7] are modifying the oscillator temperature coefficient. It is strongly recommended to not change these values.

Due to CDR functionality, it is not required to change these values.

SWK_OPT_CTRL**Selective Wake Options Register (Address 011 1001_B)****POR / Soft Reset Value: 000x xxxx_B; Restart Value: x00x xxxx_B**

| | | | | | | | |
|-----------|----------|----------|-------------|-------------|-------------|------------|------------|
| 7 | 6 | 5 | 4 | 3 | 2 | 1 | 0 |
| RX_WK_SEL | Reserved | Reserved | TRIM_OSC_12 | TRIM_OSC_11 | TRIM_OSC_10 | TRIM_OSC_9 | TRIM_OSC_8 |
| rw | r | rw | rw | rw | rw | rw | rw |

| Field | Bits | Type | Description |
|-----------|------|------|--|
| RX_WK_SEL | 7 | rw | SWK Receiver selection (only accessible if TRIM_EN = '11') 0B , Standard Receiver selected during SWK 1B , Low-Power Receiver selected during SWK |
| Reserved | 6:5 | r | Reserved, always reads as 0 |
| TRIM_OSC | 4:0 | rw | Oscillator trimming (bit8=LSB; bit12=MSB); (only writable if TRIM_EN = '11') |

Note: The bit RX_WK_SEL is used to select the respective receiver during Selective Wake operation. To reduce the quiescent current during Frame Detect Mode it is recommended to select the Low-Power Receiver, i.e. RX_WK_SEL = '1'.

Important: If the RX_WK_SEL bit is changed, then it must be ensured that the values of TRIM_OSC [8:12] bits remain unchanged to avoid a change of oscillator frequency.

Serial Peripheral Interface

Note: *TRIM_OSC[8:12]* represent the 32-steps coarse trimming range, which is not monotonous.
It is not recommended to change these values.

SWK_OSC_CAL_H_STAT

SWK Oscillator Calibration High Register (Address 011 1010_B)

POR / Soft Reset Value: 0000 0000_B; Restart Value: xxxx xxxx_B

| | | | | | | | |
|-----------------|-----------------|-----------------|-----------------|-----------------|-----------------|-----------------|-----------------|
| 7 | 6 | 5 | 4 | 3 | 2 | 1 | 0 |
| OSC_CAL_ H_7 | OSC_CAL_ H_6 | OSC_CAL_ H_5 | OSC_CAL_ H_4 | OSC_CAL_ H_3 | OSC_CAL_ H_2 | OSC_CAL_ H_1 | OSC_CAL_ H_0 |
| r | r | r | r | r | r | r | r |

| Field | Bits | Type | Description |
|---------------|------|------|--------------------------------------|
| OSC_CAL_ H | 7:0 | r | Oscillator Calibration High Register |

SWK_OSC_CAL_L_STAT

SWK Oscillator Calibration Low Register (Address 011 1011_B)

POR / Soft Reset Value: 0000 0000_B; Restart Value: xxxx xxxx_B

| | | | | | | | |
|-----------------|-----------------|-----------------|-----------------|-----------------|-----------------|-----------------|-----------------|
| 7 | 6 | 5 | 4 | 3 | 2 | 1 | 0 |
| OSC_CAL_ L_7 | OSC_CAL_ L_6 | OSC_CAL_ L_5 | OSC_CAL_ L_4 | OSC_CAL_ L_3 | OSC_CAL_ L_2 | OSC_CAL_ L_1 | OSC_CAL_ L_0 |
| r | r | r | r | r | r | r | r |

| Field | Bits | Type | Description |
|-----------|------|------|-------------------------------------|
| OSC_CAL_L | 7:0 | r | Oscillator Calibration Low Register |

Serial Peripheral Interface

SWK_CDR_CTRL1

CDR Control 1 Register (Address 011 1100_B)POR / Soft Reset Value: 0000 0100_B; Restart Value: 0000 xx0x_B

| | | | | | | | |
|----------|----------|----------|----------|------------|------------|----------|--------|
| 7 | 6 | 5 | 4 | 3 | 2 | 1 | 0 |
| Reserved | Reserved | Reserved | Reserved | SEL_FILT_1 | SEL_FILT_0 | Reserved | CDR_EN |
| r | r | r | r | rw | rw | r | rw |

| Field | Bits | Type | Description |
|----------|------|------|--|
| Reserved | 7:4 | r | Reserved, always reads as 0 |
| SEL_FILT | 3:2 | rw | Select Time Constant of Filter 00B , Time constant 8 01B , Time constant 16 (default) 10B , Time constant 32 11B , adapt distance between falling edges 2, 3 bit: Time constant 32 distance between f. edges 4, 5, 6, 7, 8 bit: Time constant 16 distance between falling edges 9, 10 bit: Time constant 8 |
| Reserved | 1 | r | Reserved, always reads as 0 |
| CDR_EN | 0 | rw | Enable CDR 0B , CDR disabled 1B , CDR enabled |

SWK_CDR_CTRL2

CDR Control 2 Register (Address 011 1101_B)POR / Soft Reset Value: 0000 0000_B; Restart Value: 0000 00xx_B

| | | | | | | | |
|----------|----------|----------|----------|----------|----------|---------------|---------------|
| 7 | 6 | 5 | 4 | 3 | 2 | 1 | 0 |
| Reserved | Reserved | Reserved | Reserved | Reserved | Reserved | SEL_OSC_CLK_1 | SEL_OSC_CLK_0 |
| r | r | r | r | r | r | rw | rw |

| Field | Bits | Type | Description |
|-------------|------|------|--|
| Reserved | 7:2 | r | Reserved, always reads as 0 |
| SEL_OSC_CLK | 1:0 | rw | Input Frequency for CDR module See Table 37 and Table 38 . |

Table 37 Frequency Settings of Internal Clock for the CDR

| SEL_OSC_CLK[1:0] | int. Clock for CDR |
|------------------|--------------------|
| 00 | 80 MHz |
| 01 | 40 MHz |

Serial Peripheral Interface

Table 37 Frequency Settings of Internal Clock for the CDR (cont'd)

| SEL_OSC_CLK[1:0] | int. Clock for CDR |
|------------------|--------------------|
| 10 | 20 MHz |
| 11 | 10 MHz |

Table 38 Recommended CDR Settings for Different Baud Rates

| SEL_OSC_CLK [1:0] | Baudrate | SWK_BTL1_CTRL Value | SWK_CDR_LIMIT_HIGH_CTRL Value | SWK_CDR_LIMIT_LOW_CTRL Value |
|-------------------|----------|---|-------------------------------|------------------------------|
| 00 | 500k | 1010 0000 | 1010 1000 | 1001 1000 |
| 01 | 500k | 0101 0000 | 0101 0100 | 0100 1100 |
| 10 | 500k | CDR Setting not recommended for this baudrate due to insufficient precision | | |
| 11 | 500k | CDR Setting not recommended for this baudrate due to insufficient precision | | |
| 00 | 250k | CDR Setting not to be used due to excessive time quanta (counter overflow) | | |
| 01 | 250k | 1010 0000 | 1010 1000 | 1001 1000 |
| 10 | 250k | 0101 0000 | 0101 0100 | 0100 1100 |
| 11 | 250k | CDR Setting not recommended for this baudrate due to insufficient precision | | |
| 00 | 125k | CDR Setting not to be used due to excessive time quanta (counter overflow) | | |
| 01 | 125k | CDR Setting not to be used due to excessive time quanta (counter overflow) | | |
| 10 | 125k | 1010 0000 | 1010 1000 | 1001 1000 |
| 11 | 125k | 0101 0000 | 0101 0100 | 0100 1100 |

SWK_CDR_LIMIT_HIGH_CTRL

SWK CDR Upper Limit Control (Address 011 1110_B)

POR / Soft Reset Value: 1010 1000_B; Restart Value: xxxx xxxx_B

| | | | | | | | |
|-------------|-------------|-------------|-------------|-------------|-------------|-------------|-------------|
| 7 | 6 | 5 | 4 | 3 | 2 | 1 | 0 |
| CDR_LIM_H_7 | CDR_LIM_H_6 | CDR_LIM_H_5 | CDR_LIM_H_4 | CDR_LIM_H_3 | CDR_LIM_H_2 | CDR_LIM_H_1 | CDR_LIM_H_0 |
| rw | rw | rw | rw | rw | rw | rw | rw |

| Field | Bits | Type | Description |
|-----------|------|------|---|
| CDR_LIM_H | 7:0 | rw | Upper Bit Time Detection Range of Clock and Data Recovery SWK_BTL1_CTRL values > + 5% will be clamped |

SWK_CDR_LIMIT_LOW_CTRL

SWK CDR Lower Limit Control (Address 011 1111_B)

POR / Soft Reset Value: 1001 1000_B; Restart Value: xxxx xxxx_B

| | | | | | | | |
|-------------|-------------|-------------|-------------|-------------|-------------|-------------|-------------|
| 7 | 6 | 5 | 4 | 3 | 2 | 1 | 0 |
| CDR_LIM_L_7 | CDR_LIM_L_6 | CDR_LIM_L_5 | CDR_LIM_L_4 | CDR_LIM_L_3 | CDR_LIM_L_2 | CDR_LIM_L_1 | CDR_LIM_L_0 |
| rw | rw | rw | rw | rw | rw | rw | rw |

Serial Peripheral Interface

| Field | Bits | Type | Description |
|-----------|------|------|--|
| CDR_LIM_L | 7:0 | rw | Lower Bit Time Detection Range of Clock and Data Recovery SWK_BTL1_CTRL values < - 5% will be clamped |

Serial Peripheral Interface

16.6 SPI Status Information Registers

READ/CLEAR Operation (see also [Chapter 16.3](#)):

- One 16-bit SPI command consist of two bytes:
 - the 7-bit address and one additional bit for the register access mode and
 - following the data byteThe numbering of following bit definitions refers to the data byte and correspond to the bits D0...D7 and to the SPI bits 8...15 (see also figure).
- There are two different bit types:
 - 'r' = READ: read only bits (or reserved bits)
 - 'rc' = READ/CLEAR: readable and clearable bits
- Reading a register is done byte wise by setting the SPI bit 7 to "0" (= Read Only)
- Clearing a register is done byte wise by setting the SPI bit 7 to "1"
- SPI status registers are in general not cleared or changed automatically (an exception are the [WD_FAIL](#) bits). This must be done by the microcontroller via SPI command

The registers are addressed wordwise.

Serial Peripheral Interface

16.6.1 General Status Registers

SUP_STAT_2

Supply Voltage Fail Status (Address 100 0000_B)POR / Soft Reset Value: 0000 0000_B;Restart Value: 0x0x xxxx_B

| | | | | | | | |
|----------|-------|----------|---------|---------|---------|---------|-----------|
| 7 | 6 | 5 | 4 | 3 | 2 | 1 | 0 |
| Reserved | VS_UV | Reserved | VCC3_OC | VCC3_UV | VCC3_OT | VCC1_OV | VCC1_WARN |
| r | rc | r | rc | rc | rc | rc | rc |

| Field | Bits | Type | Description |
|-----------|------|------|---|
| Reserved | 7 | r | Reserved, always reads as 0 |
| VS_UV | 6 | rc | VS Undervoltage Detection ($V_{S,UV}$) 0B , No VS undervoltage detected 1B , VS undervoltage detected |
| Reserved | 5 | r | Reserved, always reads as 0 |
| VCC3_OC | 4 | rc | VCC3 Overcurrent Detection 0B , No OC 1B , OC detected |
| VCC3_UV | 3 | rc | VCC3 Undervoltage Detection 0B , No VCC3 UV detection 1B , VCC3 UV Fail detected |
| VCC3_OT | 2 | rc | VCC3 Overtemperature Detection 0B , No overtemperature 1B , VCC3 overtemperature detected |
| VCC1_OV | 1 | rc | VCC1 Overvoltage Detection ($V_{CC1,OV,r}$) 0B , No VCC1 overvoltage warning 1B , VCC1 overvoltage detected |
| VCC1_WARN | 0 | rc | VCC1 Undervoltage Prewarning ($V_{PW,f}$) 0B , No VCC1 undervoltage prewarning 1B , VCC1 undervoltage prewarning detected |

Notes

1. The VCC1 undervoltage prewarning threshold $V_{PW,f}/V_{PW,r}$ is a fixed threshold and independent of the VCC1 undervoltage reset thresholds.

Serial Peripheral Interface

SUP_STAT_1

Supply Voltage Fail Status (Address 100 0001_B)POR / Soft Reset Value: y000 0000_B;Restart Value: xxxx xx0x_B

| | | | | | | | |
|-----|---------|---------|---------|---------|---------|------------|---------|
| 7 | 6 | 5 | 4 | 3 | 2 | 1 | 0 |
| POR | VSHS_UV | VSHS_OV | VCC2_OT | VCC2_UV | VCC1_SC | VCC1_UV_FS | VCC1_UV |
| rc | rc | rc | rc | rc | rc | rc | rc |

| Field | Bits | Type | Description |
|------------|------|------|--|
| POR | 7 | rc | Power-On Reset Detection 0B , No POR 1B , POR occurred |
| VSHS_UV | 6 | rc | VSHS Undervoltage Detection ($V_{SHS,UV,D}$) 0B , No VSHS-UV 1B , VSHS-UV detected |
| VSHS_OV | 5 | rc | VSHS Overvoltage Detection ($V_{SHS,OVD}$) 0B , No VSHS-OV 1B , VSHS-OV detected |
| VCC2_OT | 4 | rc | VCC2 Overtemperature Detection 0B , No overtemperature 1B , VCC2 overtemperature detected |
| VCC2_UV | 3 | rc | VCC2 Undervoltage Detection ($V_{CC2,UV,f}$) 0B , No VCC2 undervoltage 1B , VCC2 undervoltage detected |
| VCC1_SC | 2 | rc | VCC1 Short to GND Detection (<V_rtx for t>4ms after switch on) 0B , No short 1B , VCC1 short to GND detected |
| VCC1_UV_FS | 1 | rc | VCC1 UV-Detection (due to V_rtx reset) 0B , No Fail-Safe Mode entry due to 4th consecutive VCC1_UV 1B , Fail-Safe Mode entry due to 4th consecutive VCC1_UV |
| VCC1_UV | 0 | rc | VCC1 UV-Detection (due to V_rtx reset) 0B , No VCC1_UV detection 1B , VCC1 UV-Fail detected |

Notes

1. The MSB of the POR/Soft Reset value is marked as 'y': the default value of the POR bit is set after Power-on reset (POR value = 1000 0000). However it will be cleared after a SBC Soft Reset command (Soft Reset value = 0000 0000).
2. During Sleep Mode, the bits VCC1_SC, VCC1_OV and VCC1_UV will not be set when VCC1 is off
3. The VCC1_UV bit is never updated in SBC Restart Mode, in SBC Init Mode it is only updated after RO was released for the first time, it is always updated in SBC Normal and Stop Mode, and it is always updated in any SBC modes in a VCC1_SC condition (after VCC1_UV = 1 for >4ms).

Serial Peripheral Interface
THERM_STAT**Thermal Protection Status (Address 100 0010_B)****POR / Soft Reset Value: 0000 0000_B; Restart Value: 0000 0xxx_B**

| | | | | | | | |
|-----------------|-----------------|-----------------|-----------------|-----------------|-------------|-------------|------------|
| 7 | 6 | 5 | 4 | 3 | 2 | 1 | 0 |
| Reserved | Reserved | Reserved | Reserved | Reserved | TSD2 | TSD1 | TPW |
| r | r | r | r | r | rc | rc | rc |

| Field | Bits | Type | Description |
|-----------------|------|------|--|
| Reserved | 7:3 | r | Reserved, always reads as 0 |
| TSD2 | 2 | rc | TSD2 Thermal Shut-Down Detection 0B , No TSD2 event 1B , TSD2 OT detected - leading to SBC Fail-Safe Mode |
| TSD1 | 1 | rc | TSD1 Thermal Shut-Down Detection 0B , No TSD1 fail 1B , TSD1 OT detected |
| TPW | 0 | rc | Thermal Pre Warning 0B , No Thermal Pre warning 1B , Thermal Pre warning detected |

Note: TSD1 and TSD2 are not reset automatically, even if the temperature pre warning or TSD1 OT condition is not present anymore. Also TSD2 is not reset.

Serial Peripheral Interface

DEV_STAT

Device Information Status (Address 100 0011_B)POR / Soft Reset Value: 0000 0000_B;Restart Value: xx00 xxxx_B

| | | | | | | | |
|------------|------------|----------|----------|-----------|-----------|----------|---------|
| 7 | 6 | 5 | 4 | 3 | 2 | 1 | 0 |
| DEV_STAT_1 | DEV_STAT_0 | Reserved | Reserved | WD_FAIL_1 | WD_FAIL_0 | SPI_FAIL | FAILURE |
| rc | rc | r | r | rh | rh | rc | rc |

| Field | Bits | Type | Description |
|----------|------|------|---|
| DEV_STAT | 7:6 | rc | Device Status before Restart Mode 00B , Cleared (Register must be actively cleared) 01B , Restart due to failure (WD fail, TSD2, VCC1_UV); also after a wake from Fail-Safe Mode 10B , Sleep Mode 11B , Reserved |
| Reserved | 5:4 | r | Reserved, always reads as 0 |
| WD_FAIL | 3:2 | rh | Number of WD-Failure Events (1/2 WD failures depending on CFG) 00B , No WD Fail 01B , 1x WD Fail, FOx activation - Config 2 selected 10B , 2x WD Fail, FOx activation - Config 1 / 3 / 4 selected 11B , Reserved (never reached) |
| SPI_FAIL | 1 | rc | SPI Fail Information 0B , No SPI fail 1B , Invalid SPI command detected |
| FAILURE | 0 | rc | Activation of Fail Output FO 0B , No Failure 1B , Failure occurred |

Notes

- The bits **DEV_STAT** show the status of the device before it went through Restart. Either the device came from regular Sleep Mode ('10') or a failure ('01' - SBC Restart or SBC Fail-Safe Mode: WD fail, TSD2 fail, VCC_UV fail or VCC1_OV if bit **VCC1_OV_RST** is set) occurred. Failure is also an illegal command from SBC Stop to SBC Sleep Mode or going to SBC Sleep Mode without activation of any wake source. Coming from SBC Sleep Mode ('10') will also be shown if there was a trial to enter SBC Sleep Mode without having cleared all wake flags before.
- The **WD_FAIL** bits are configured as a counter and are the only status bits, which are cleared automatically by the SBC. They are cleared after a successful watchdog trigger and when the watchdog is stopped (also in SBC Sleep and Fail-Safe Mode unless it was reached due to a watchdog failure). See also **Chapter 14.1**.
- The **SPI_FAIL** bit is cleared only by SPI command
- In case of Config 2/4 the **WD_Fail** counter is frozen in case of WD trigger failure until a successful WD trigger.
- If **CFG = '0'** then a 1st watchdog failure will not trigger the FO outputs or the **FAILURE** bit but only force the SBC into SBC Restart Mode.

Serial Peripheral Interface

BUS_STAT_1**Bus Communication Status (Address 100 0100_B)****POR / Soft Reset Value: 0000 0000_B;****Restart Value: 0xxx xxxx_B**

| | | | | | | | |
|----------|-------------|-------------|-------|--------|------------|------------|---------|
| 7 | 6 | 5 | 4 | 3 | 2 | 1 | 0 |
| Reserved | LIN1_FAIL_1 | LIN1_FAIL_0 | CANTO | SYSERR | CAN_FAIL_1 | CAN_FAIL_0 | VCAN_UV |
| r | rc | rc | rc | rc | rc | rc | rc |

| Field | Bits | Type | Description |
|------------------|------|------|---|
| Reserved | 7 | r | Reserved, always reads as 0 |
| LIN1_FAIL | 6:5 | rc | LIN1 Failure Status 00B , No error 01B , LIN1 TSD 10B , LIN1_TXD_DOM: TXD dominant time out for more than 20ms 11B , LIN1_BUS_DOM: BUS dominant time out for more than 20ms |
| CANTO | 4 | rc | CAN Time Out Detection 0B , Normal operation 1B , CAN Time Out detected |
| SYSERR | 3 | rc | SWK System Error 0B , Selective Wake Mode is possible 1B , System Error detected, SWK enabling not possible |
| CAN_FAIL | 2:1 | rc | CAN Failure Status 00B , No error 01B , CAN TSD shutdown 10B , CAN_TXD_DOM: TXD dominant time out for longer than $t_{TXD_CAN_TO}$ 11B , CAN_BUS_DOM: BUS dominant time out for longer than $t_{TXD_CAN_TO}$ |
| VCAN_UV | 0 | rc | Undervoltage CAN Bus Supply 0B , Normal operation 1B , CAN Supply undervoltage detected. Transmitter disabled |

Notes

- CAN and LIN Recovery Conditions:**
 - 1.) TXD Time Out: TXD goes HIGH or transmitter is set to wake capable or switched off;
 - 2.) Bus dominant time out: Bus will become recessive or transceiver is set to wake capable or switched off.
 - 3.) Supply undervoltage: as soon as the threshold is crossed again, i.e. $V_{SHS} > V_{S_UV}$ for LIN and $V_{CAN} > V_{CAN_UV}$ for CAN
 - 4.) In all cases (also for TSD shutdown): to enable the Bus transmission again, TXD needs to be HIGH for a certain time (transmitter enable time).
- The VCAN_UV comparator is enabled if the mode bit CAN_1 = '1', i.e. in CAN Normal or CAN Receive Only Mode.

Serial Peripheral Interface

3. *CANTO will be set only if CAN2 = 1 (=SWK Mode enabled). It will be set as soon as CANSIL was set and will stay set even in CANSIL it is reset. An interrupt is issued in SBC Stop- and SBC Normal Mode as soon as CANTO is set and the interrupt is not masked out, i.e. CANTO_MASK must be set to 1.*
4. *The SYSERR Flag is set in case of a configuration error and in case of an error counter overflow ($n > 32$). It is only updated if SWK is enabled (CAN_2 = '1'). See also [Chapter 5.4.3](#).*
5. *CANTO is set asynchronously to the INT pulse. In order to prevent undesired clearing of CANTO and thus possibly missing this interrupt, the bit will be prevented from clearing (i.e. cannot be cleared) until the next falling edge of INT.*

Serial Peripheral Interface

WK_STAT_1

Wake-up Source and Information Status (Address 100 0110_B)

POR / Soft Reset Value: 0000 0000_B;

Restart Value: 0xxx 0xxx_B

| | | | | | | | |
|-----------------|----------------|---------------|-----------------|-----------------|---------------|---------------|---------------|
| 7 | 6 | 5 | 4 | 3 | 2 | 1 | 0 |
| Reserved | LIN1_WU | CAN_WU | TIMER_WU | Reserved | WK3_WU | WK2_WU | WK1_WU |
| r | rc | rc | rc | r | rc | rc | rc |

| Field | Bits | Type | Description |
|-----------------|------|------|--|
| Reserved | 7 | r | Reserved, always reads as 0 |
| LIN1_WU | 6 | rc | Wake up via LIN1 Bus 0B , No Wake up 1B , Wake up |
| CAN_WU | 5 | rc | Wake up via CAN Bus 0B , No Wake up 1B , Wake up |
| TIMER_WU | 4 | rc | Wake up via TimerX 0B , No Wake up 1B , Wake up |
| Reserved | 3 | r | Reserved, always reads as 0 |
| WK3_WU | 2 | rc | Wake up via WK3 0B , No Wake up 1B , Wake up |
| WK2_WU | 1 | rc | Wake up via WK2 0B , No Wake up 1B , Wake up |
| WK1_WU | 0 | rc | Wake up via WK1 0B , No Wake up 1B , Wake up |

Note: The respective wake source bit will also be set when the device is woken from SBC Fail-Safe Mode

Serial Peripheral Interface

WK_STAT_2

Wake-up Source and Information Status (Address 100 0111_B)POR / Soft Reset Value: 0000 0000_B;Restart Value: 00xx 0000_B

| | | | | | | | |
|----------|----------|----------|----------|----------|----------|----------|----------|
| 7 | 6 | 5 | 4 | 3 | 2 | 1 | 0 |
| Reserved | Reserved | GPIO2_WU | GPIO1_WU | Reserved | Reserved | Reserved | Reserved |
| r | r | rc | rc | r | r | r | r |

| Field | Bits | Type | Description |
|----------|------|------|---|
| Reserved | 7:6 | r | Reserved, always reads as 0 |
| GPIO2_WU | 5 | rc | Wake up via GPIO2 0B , No Wake up 1B , Wake up |
| GPIO1_WU | 4 | rc | Wake up via GPIO1 0B , No Wake up 1B , Wake up |
| Reserved | 3:0 | r | Reserved, always reads as 0 |

Serial Peripheral Interface

WK_LVL_STAT

WK Input Level (Address 100 1000_B)

POR / Soft Reset Value: xx00 0xxx_B; Restart Value: xxxx 0xxx_B

| | | | | | | | |
|--------------------|-------------|------------------|------------------|-----------------|----------------|----------------|----------------|
| 7 | 6 | 5 | 4 | 3 | 2 | 1 | 0 |
| SBC_DEV_LVL | CFGP | GPIO2_LVL | GPIO1_LVL | Reserved | WK3_LVL | WK2_LVL | WK1_LVL |
| r | r | r | r | r | r | r | r |

| Field | Bits | Type | Description |
|--------------------|------|------|---|
| SBC_DEV_LVL | 7 | r | Status of SBC Operating Mode at FO3/TEST Pin 0B , User Mode activated 1B , SBC Development Mode activated |
| CFGP | 6 | r | Device Configuration Status 0B , No external pull-up resistor connected on INT (Config 2/4) 1B , External pull-up resistor connected on INT (Config 1/3) |
| GPIO2_LVL | 5 | r | Status of GPIO2 (if selected as GPIO) 0B , Low Level (=0) 1B , High Level (=1) |
| GPIO1_LVL | 4 | r | Status of GPIO1 (if selected as GPIO) 0B , Low Level (=0) 1B , High Level (=1) |
| Reserved | 3 | r | Reserved, always reads as 0 |
| WK3_LVL | 2 | r | Status of WK3 0B , Low Level (=0) 1B , High Level (=1) |
| WK2_LVL | 1 | r | Status of WK2 0B , Low Level (=0) 1B , High Level (=1) |
| WK1_LVL | 0 | r | Status of WK1 0B , Low Level (=0) 1B , High Level (=1) |

Note: **GPIOx_LVL** is updated in SBC Normal and Stop Mode if configured as wake input, low-side switch or high-side switch.
 In cyclic sense or wake mode, the registers contain the sampled level, i.e. the registers are updated after every sampling. The GPIOs are not capable of cyclic sensing.
 If selected as GPIO then the respective level is shown even if configured as low-side or high-side.

Serial Peripheral Interface

HS_OC_OT_STAT

High-Side Switch Overload Status (Address 101 0100_B)POR / Soft Reset Value: 0000 0000_B; Restart Value: 0000 xxxx_B

| | | | | | | | |
|----------|----------|----------|----------|-----------|-----------|-----------|-----------|
| 7 | 6 | 5 | 4 | 3 | 2 | 1 | 0 |
| Reserved | Reserved | Reserved | Reserved | HS4_OC_OT | HS3_OC_OT | HS2_OC_OT | HS1_OC_OT |
| r | r | r | r | rc | rc | rc | rc |

| Field | Bits | Type | Description |
|-----------|------|------|--|
| Reserved | 7:4 | r | Reserved, always reads as 0 |
| HS4_OC_OT | 3 | rc | Overcurrent & Overtemperature Detection HS4 0B , No OC or OT 1B , OC or OT detected |
| HS3_OC_OT | 2 | rc | Overcurrent & Overtemperature Detection HS3 0B , No OC or OT 1B , OC or OT detected |
| HS2_OC_OT | 1 | rc | Overcurrent & Overtemperature Detection HS2 0B , No OC or OT 1B , OC or OT detected |
| HS1_OC_OT | 0 | rc | Overcurrent & Overtemperature Detection HS1 0B , No OC or OT 1B , OC or OT detected |

Note: The OC/OT bit might be set for $V_{POR,f} < VS < 5.5V$ (see also [Chapter 4.2](#))

Serial Peripheral Interface
HS_OL_STAT**High-Side Switch Open-Load Status (Address 101 0101_B)****POR / Soft Reset Value: 0000 0000_B; Restart Value: 0000 xxxx_B**

| | | | | | | | |
|----------|----------|----------|----------|--------|--------|--------|--------|
| 7 | 6 | 5 | 4 | 3 | 2 | 1 | 0 |
| Reserved | Reserved | Reserved | Reserved | HS4_OL | HS3_OL | HS2_OL | HS1_OL |
| r | r | r | r | rc | rc | rc | rc |

| Field | Bits | Type | Description |
|----------|------|------|--|
| Reserved | 7:4 | r | Reserved, always reads as 0 |
| HS4_OL | 3 | rc | Open-Load Detection HS4 0B , No OL 1B , OL detected |
| HS3_OL | 2 | rc | Open-Load Detection HS3 0B , No OL 1B , OL detected |
| HS2_OL | 1 | rc | Open-Load Detection HS2 0B , No OL 1B , OL detected |
| HS1_OL | 0 | rc | Open-Load Detection HS1 0B , No OL 1B , OL detected |

Serial Peripheral Interface

16.6.2 Selective Wake Status Registers

SWK_STAT

Selective Wake Status (Address 111 0000_B)

POR / Soft Reset Value: 0000 0000_B; Restart Value: 0x00 xxxx_B

| | | | | | | | |
|----------|------|----------|----------|--------|---------|-----|-----|
| 7 | 6 | 5 | 4 | 3 | 2 | 1 | 0 |
| Reserved | SYNC | Reserved | Reserved | CANSIL | SWK_SET | WUP | WUF |
| r | r | r | r | r | r | r | r |

| Field | Bits | Type | Description |
|----------|------|------|--|
| Reserved | 7 | r | Reserved, always reads as 0 |
| SYNC | 6 | r | Synchronisation (at least one CAN frame without fail must have been received) 0B , SWK function not working or not synchronous to CAN bus 1B , Valid CAN frame received, SWK function is synchronous to CAN bus |
| Reserved | 5:4 | r | Reserved, always reads as 0 |
| CANSIL | 3 | r | CAN Silent Time during SWK operation 0B , tsilence not exceeded 1B , set if tsilence is exceeded. |
| SWK_SET | 2 | r | Selective Wake Activity 0B , Selective Wake is not active 1B , Selective Wake is activated |
| WUP | 1 | r | Wake-up Pattern Detection 0B , No WUP 1B , WUP detected |
| WUF | 0 | r | SWK Wake-up Frame Detection (acc. ISO 11898-2:2016) 0B , No WUF 1B , WUF detected |

Note: SWK_SET is set to flag that the selective wake functionality is activated (SYSERR = 0, CFG_VAL = 1, CAN_2 = 1). The selective wake function is activated via a CAN mode change, except if CAN = '100'.

Serial Peripheral Interface
SWK_ECNT_STAT**SWK Status (Address 111 0001_B)****POR / Soft Reset Value: 0000 0000_B; Restart Value: 00xx xxxx_B**

| | | | | | | | |
|-----------------|-----------------|---------------|---------------|---------------|---------------|---------------|---------------|
| 7 | 6 | 5 | 4 | 3 | 2 | 1 | 0 |
| Reserved | Reserved | ECNT_5 | ECNT_4 | ECNT_3 | ECNT_2 | ECNT_1 | ECNT_0 |
| r | r | r | r | r | r | r | r |

| Field | Bits | Type | Description |
|-----------------|-------------|-------------|---|
| Reserved | 7:6 | r | Reserved, always reads as 0 |
| ECNT | 5:0 | r | SWK CAN Frame Error Counter 00 0000B, No Frame Error 01 1111B, 31 Frame Errors have been counted 10 0000B, Error counter overflow - SWK function will be disabled |

Note: If a frame has been received that is valid according to ISO 11898-1 and the counter is not zero, then the counter shall be decremented. If the counter has reached a value of 32, the following actions shall be performed: Selective Wake function shall be disabled, SYSERR shall be set and CAN wake capable function shall be enabled, which leads to a wake with the next WUP.

Serial Peripheral Interface
SWK_CDR_STAT1**CDR Status 1 Register (Address 111 0010_B)****POR / Soft Reset Value: 1010 0000_B; Restart Value: xxxx xxxx_B**

| | | | | | | | |
|----------|----------|---------|---------|---------|---------|---------|---------|
| 7 | 6 | 5 | 4 | 3 | 2 | 1 | 0 |
| N_AVG_11 | N_AVG_10 | N_AVG_9 | N_AVG_8 | N_AVG_7 | N_AVG_6 | N_AVG_5 | N_AVG_4 |
| r | r | r | r | r | r | r | r |

| Field | Bits | Type | Description |
|----------|------|------|--|
| NAVG_SAT | 7:0 | r | Output Value from Filter Block N_AVG is representing the integer part of the number of selected input clock frequency per CAN bus bit. N_AVG[11:4] e.g.160.75 |

SWK_CDR_STAT2**CDR Status 2 Register (Address 111 0011_B)****POR / Soft Reset Value: 0000 0000_B; Restart Value: xxxx xxxx_B**

| | | | | | | | |
|---------|---------|---------|---------|----------|----------|----------|----------|
| 7 | 6 | 5 | 4 | 3 | 2 | 1 | 0 |
| N_AVG_3 | N_AVG_2 | N_AVG_1 | N_AVG_0 | reserved | reserved | reserved | reserved |
| r | r | r | r | r | r | r | r |

| Field | Bits | Type | Description |
|----------|------|------|--|
| NAVG_SAT | 7:4 | r | Output Value from Filter Block N_AVG is representing the fractional part of the number of selected input clock frequency per CAN bus bit. N_AVG[3:0] e.g.160.75 |
| Reserved | 3:0 | r | Reserved, always reads as 0 |

Serial Peripheral Interface

16.6.3 Family and Product Information Register

FAM_PROD_STAT

Family and Product Identification Register (Address 111 1110_B)POR / Soft Reset Value: 0011 yyyy_B; Restart Value: 0011 yyyy_B

| | | | | | | | |
|-------|-------|-------|-------|--------|--------|--------|--------|
| 7 | 6 | 5 | 4 | 3 | 2 | 1 | 0 |
| FAM_3 | FAM_2 | FAM_1 | FAM_0 | PROD_3 | PROD_2 | PROD_1 | PROD_0 |
| r | r | r | r | r | r | r | r |

| Field | Bits | Type | Description |
|-------|------|------|--|
| FAM | 7:4 | r | SBC Family Identifier (bit4=LSB; bit7=MSB) 0 001B, Driver SBC Family 0 010B, DC/DC-SBC Family 0 011B, Mid-Range SBC Family 0 100B, Multi-CAN SBC Family 0 101B, Lite-CAN SBC Family 0 111B, Mid-Range+ SBC Family x x x xB, reserved for future products |
| PROD | 3:0 | r | SBC Product Identifier (bit0=LSB; bit3=MSB) 0 0 1 1B, reserved 0 1 1 1B, TLE9261-3QXV33 (VCC1 = 3.3V, no LIN, VCC3, SWK) 1 0 1 1B, TLE9262-3QXV33 (VCC1 = 3.3V, 1 LIN, VCC3, SWK) 1 1 1 1B, TLE9263-3QXV33 (VCC1 = 3.3V, 2 LIN, VCC3, SWK) |

Notes

1. The actual default register value after POR, Soft Reset or Restart of PROD will depend on the respective product. Therefore the value 'y' is specified.
2. SWK = Selective Wake feature in CAN Partial Networking standard

Serial Peripheral Interface

16.7 Electrical Characteristics

Table 39 Electrical Characteristics

$V_S = 5.5\text{ V to }28\text{ V}$, $T_j = -40\text{ °C to }+150\text{ °C}$, all voltages with respect to ground, positive current flowing into pin (unless otherwise specified)

| Parameter | Symbol | Values | | | Unit | Note or Test Condition | Number |
|---|-----------------------|------------------------------|------------------------------|-----------------------------|---------------|--|-----------|
| | | Min. | Typ. | Max. | | | |
| SPI frequency | | | | | | | |
| Maximum SPI frequency | $f_{\text{SPI,max}}$ | – | – | 4.0 | MHz | ¹⁾ | P_16.7.1 |
| SPI Interface; Logic Inputs SDI, CLK and CSN | | | | | | | |
| H-input Voltage Threshold | V_{IH} | – | – | $0.7 \times V_{\text{CC1}}$ | V | – | P_16.7.2 |
| L-input Voltage Threshold | V_{IL} | $0.3 \times V_{\text{CC1}}$ | – | – | V | – | P_16.7.3 |
| Hysteresis of input Voltage | V_{IHY} | $0.08 \times V_{\text{CC1}}$ | $0.12 \times V_{\text{CC1}}$ | $0.5 \times V_{\text{CC1}}$ | V | ¹⁾ | P_16.7.4 |
| Pull-up Resistance at pin CSN | R_{ICSN} | 20 | 40 | 80 | k Ω | $V_{\text{CSN}} = 0.7 \times V_{\text{CC1}}$ | P_16.7.5 |
| Pull-down Resistance at pin SDI and CLK | $R_{\text{ICLK/SDI}}$ | 20 | 40 | 80 | k Ω | $V_{\text{SDI/CLK}} = 0.2 \times V_{\text{CC1}}$ | P_16.7.6 |
| Input Capacitance at pin CSN, SDI or CLK | C_{I} | – | 10 | – | pF | ¹⁾ | P_16.7.7 |
| Logic Output SDO | | | | | | | |
| H-output Voltage Level | V_{SDOH} | $V_{\text{CC1}} - 0.4$ | $V_{\text{CC1}} - 0.2$ | – | V | $I_{\text{DOH}} = -1.6\text{ mA}$ | P_16.7.8 |
| L-output Voltage Level | V_{SDOL} | – | 0.2 | 0.4 | V | $I_{\text{DOL}} = 1.6\text{ mA}$ | P_16.7.9 |
| Tristate Leakage Current | I_{SDOLK} | -10 | – | 10 | μA | $V_{\text{CSN}} = V_{\text{CC1}}$; $0\text{ V} < V_{\text{DO}} < V_{\text{CC1}}$ | P_16.7.10 |
| Tristate Input Capacitance | C_{SDO} | – | 10 | 15 | pF | ¹⁾ | P_16.7.11 |
| Data Input Timing¹⁾ | | | | | | | |
| Clock Period | t_{pCLK} | 250 | – | – | ns | – | P_16.7.12 |
| Clock High Time | t_{CLKH} | 125 | – | – | ns | – | P_16.7.13 |
| Clock Low Time | t_{CLKL} | 125 | – | – | ns | – | P_16.7.14 |
| Clock Low before CSN Low | t_{bef} | 125 | – | – | ns | – | P_16.7.15 |
| CSN Setup Time | t_{lead} | 250 | – | – | ns | – | P_16.7.16 |
| CLK Setup Time | t_{lag} | 250 | – | – | ns | – | P_16.7.17 |
| Clock Low after CSN High | t_{beh} | 125 | – | – | ns | – | P_16.7.18 |
| SDI Set-up Time | t_{DISU} | 100 | – | – | ns | – | P_16.7.19 |
| SDI Hold Time | t_{DIHO} | 50 | – | – | ns | – | P_16.7.20 |
| Input Signal Rise Time at pin SDI, CLK and CSN | t_{rIN} | – | – | 50 | ns | – | P_16.7.21 |

Serial Peripheral Interface

Table 39 Electrical Characteristics (cont'd)

$V_S = 5.5\text{ V to }28\text{ V}$, $T_j = -40\text{ }^\circ\text{C to }+150\text{ }^\circ\text{C}$, all voltages with respect to ground, positive current flowing into pin (unless otherwise specified)

| Parameter | Symbol | Values | | | Unit | Note or Test Condition | Number |
|--|-----------------|--------|------|------|---------------|--|-----------|
| | | Min. | Typ. | Max. | | | |
| Input Signal Fall Time at pin SDI, CLK and CSN | t_{fIN} | - | - | 50 | ns | - | P_16.7.22 |
| Delay Time for Mode Changes ²⁾ | $t_{Del,Mode}$ | - | - | 6 | μs | includes internal oscillator tolerance | P_16.7.23 |
| CSN High Time | $t_{CSN(high)}$ | 3 | - | - | μs | - | P_16.7.24 |

Data Output Timing¹⁾

| | | | | | | | |
|------------------|--------------|---|----|----|----|-----------------------|-----------|
| SDO Rise Time | t_{rSDO} | - | 30 | 80 | ns | $C_L = 100\text{ pF}$ | P_16.7.25 |
| SDO Fall Time | t_{fSDO} | - | 30 | 80 | ns | $C_L = 100\text{ pF}$ | P_16.7.26 |
| SDO Enable Time | t_{ENSDO} | - | - | 50 | ns | low impedance | P_16.7.27 |
| SDO Disable Time | t_{DISSDO} | - | - | 50 | ns | high impedance | P_16.7.28 |
| SDO Valid Time | t_{VASDO} | - | - | 50 | ns | $C_L = 100\text{ pF}$ | P_16.7.29 |

- 1) Not subject to production test; specified by design
- 2) Applies to all mode changes triggered via SPI commands

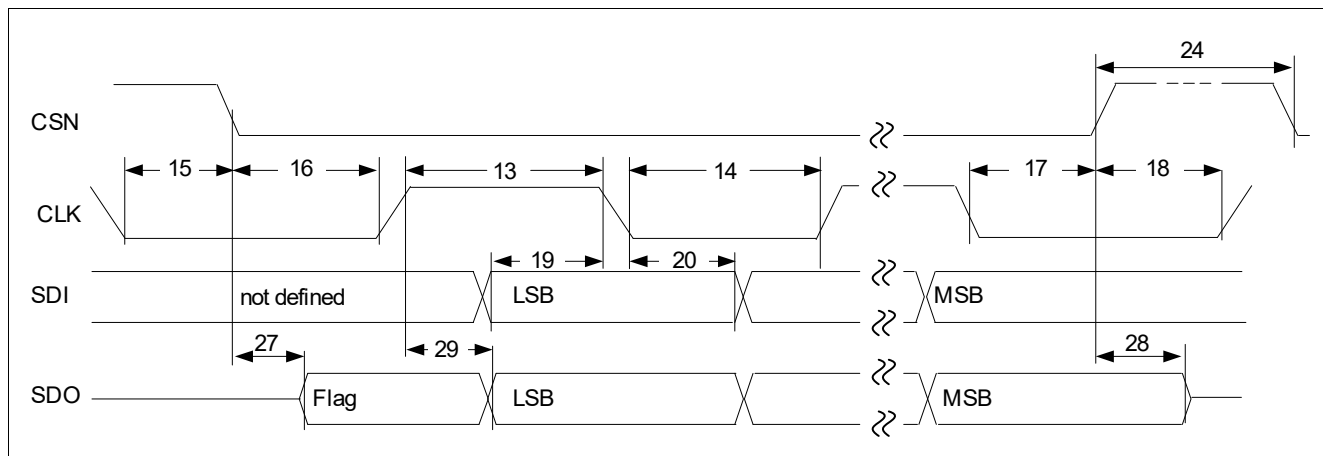


Figure 63 SPI Timing Diagram

Note: Numbers in drawing correlate to the last 2 digits of the Number field in the Electrical Characteristics table.

Application Information

17 Application Information

17.1 Application Diagram

Note: The following information is given as a hint for the implementation of the device only and shall not be regarded as a description or warranty of a certain functionality, condition or quality of the device.

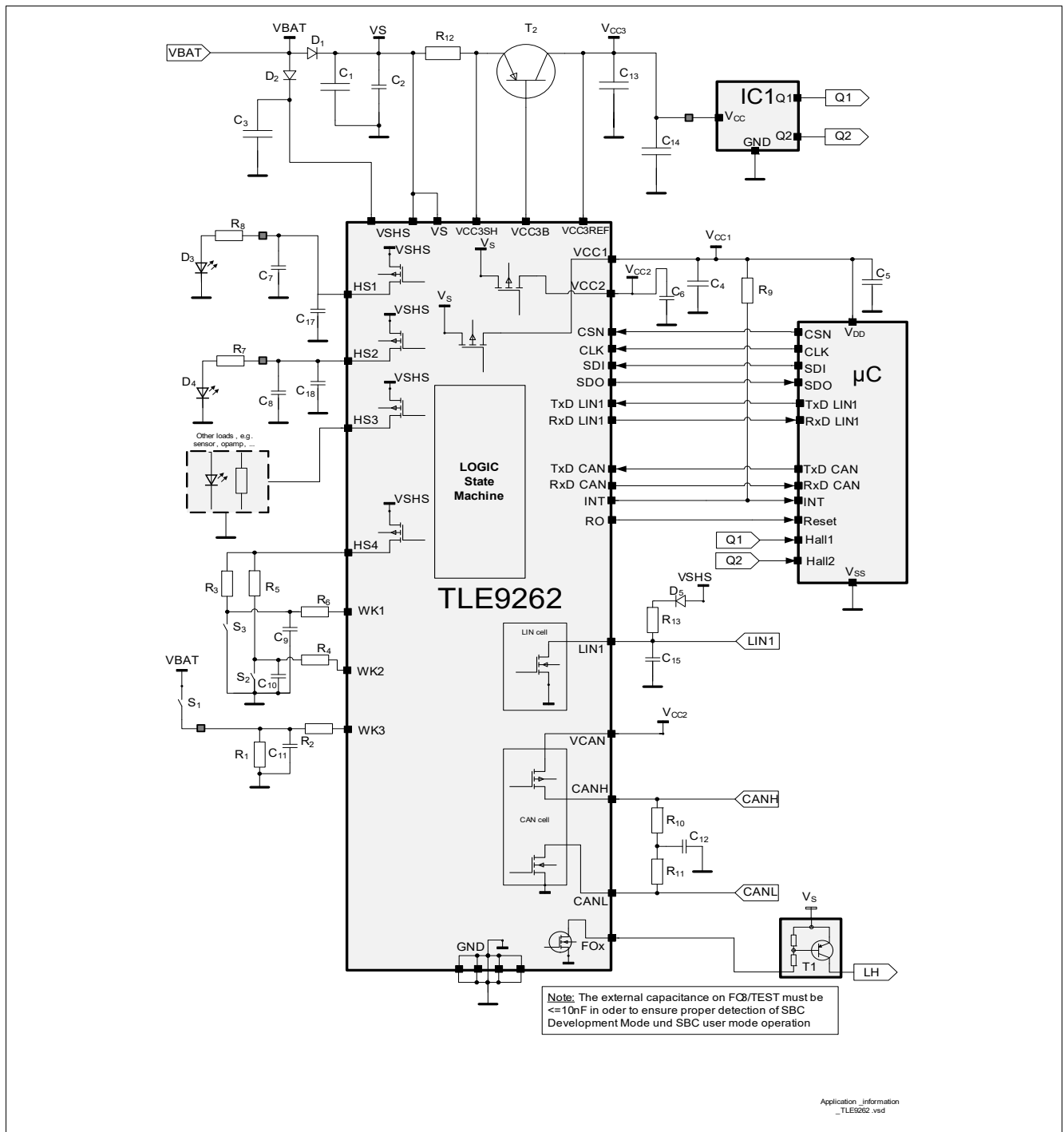


Figure 64 Simplified Application Diagram

Application Information

Note: Unused outputs are recommended to be left unconnected on the application board. If unused output pins are routed to an external connector which leaves the ECU, then these pins should have provision for a zero ohm jumper (depopulated if unused) or ESD protection.

Table 40 Bill of Material for Simplified Application Diagram

| Ref. | Typical Value | Purpose / Comment |
|---------------------|-----------------------|---|
| Capacitances | | |
| C1 | 68 μ F | Buffering capacitor to cut off battery spikes, depending on application |
| C2 | 100nF | EMC, blocking capacitor |
| C3 | 22 μ F | Buffering capacitor to cut off battery spikes from VSHS as separate supply input; Depending on application, only needed if VSHS is not connected to VS; |
| C4 | 2.2 μ F low ESR | As required by application, min. 470nF for stability and max. 68 μ F recommended |
| C5 | 100nF ceramic | Spike filtering, improve stability of supply for microcontroller; not needed for SBC |
| C6 | 2.2 μ F low ESR | Blocking capacitor, min. 470nF for stability; if used for CAN supply place a 100nF ceramic capacitor in addition very close to VCAN pin for optimum EMC behavior |
| C7 | 33nF | As required by application, mandatory protection for off-board connections |
| C8 | 33nF | As required by application, mandatory protection for off-board connections |
| C17 | 47pF | Only required in case of off-board connection to optimize EMC behavior, place close to pin |
| C18 | 47pF | Only required in case of off-board connection to optimize EMC behavior, place close to pin |
| C9 | 10nF | Spike filtering, as required by application, mandatory protection for off-board connections (see also Simplified Application Diagram with the Alternate Measurement Function) |
| C10 | 10nF | Spike filtering, as required by application, mandatory protection for off-board connections |
| C11 | 10nF | Spike filtering, as required by application, mandatory protection for off-board connections |
| C12 | 4.7nF / OEM dependent | Split termination stability |
| C13 | 10 μ F low ESR | Stability of VCC3, ceramic capacitor, e.g. Murata 10 μ F/10 V GCM31CR71A106K64L or 2x 4.7 μ F/10 V |
| C14 | 47nF | Only required in case of off-board connection to optimize EMC behavior, place close to connector |
| C15 | 1nF / OEM dependent | LIN master termination |
| Resistances | | |
| R1 | 10k Ω | Wetting current of the switch, as required by application |
| R2 | 10k Ω | Limit the WK pin current, e.g. for ISO pulses |

Application Information

Table 40 Bill of Material for Simplified Application Diagram (cont'd)

| Ref. | Typical Value | Purpose / Comment |
|------|--|--|
| R3 | 10k Ω | Wetting current of the switch, as required by application |
| R4 | 10k Ω | Limit the WK pin current, e.g. for ISO pulses |
| R5 | 10k Ω | Wetting current of the switch, as required by application |
| R6 | 10k Ω | Limit the WK pin current, e.g. for ISO pulses |
| R7 | depending on LED config. | LED current limitation, as required by application |
| R8 | depending on LED config. | LED current limitation, as required by application |
| R9 | 47k Ω | Selection of hardware configuration 1/3, i.e. in case of WD failure SBC Restart Mode is entered. If not connected, then hardware configuration 2/4 is selected |
| R10 | 60 Ω / OEM dependent | CAN bus termination |
| R11 | 60 Ω / OEM dependent | CAN bus termination |
| R12 | 1 Ω shunt, depending on required current limitation or load sharing ratio | Sense shunt for ICC3 current limitation (configured to typ. 235mA with 1 Ω shunt) for stand-alone configuration; Setting of load sharing ratio (here ICC3/ICC1 = 1) in load sharing configuration. |
| R13 | 1k Ω / OEM dependent | LIN master termination (if configured as a LIN master) |
| R15 | 10k Ω | WK1 pin current limitation, e.g. for ISO pulses, for alternate measurement function (see also Simplified Application Diagram with the Alternate Measurement Function) |
| R16 | depending on application and microcontroller | Voltage Divider resistor to adjust measurement voltage to microcontroller ADC input range (see also Simplified Application Diagram with the Alternate Measurement Function) |
| R17 | depending on application and microcontroller | Voltage Divider resistor to adjust measurement voltage to microcontroller ADC input range (see also Simplified Application Diagram with the Alternate Measurement Function) |

Active Components

| | | |
|---------|--------------------------|--|
| D1 | e.g. BAS 3010A, Infineon | Reverse polarity protection for VS supply pins |
| D2 | e.g. BAS 3010A, Infineon | Reverse polarity protection for VSHS supply pin; if separate supplies are not needed, then connect VSHS to VS pins |
| D3 | LED | As required by application, configure series resistor accordingly |
| D4 | LED | As required by application, configure series resistor accordingly |
| D5 | e.g. BAS70 | Requested by LIN standard; reverse polarity protection of network |
| T1 | e.g. BCR191W | High active FO control |
| T2 | BCP 52-16, Infineon | Power element of VCC3, current limit or load sharing ratio to be configured via shunt |
| | MJD 253, ON Semi | Alternative power element of VCC3 |
| μ C | e.g. TC2xxx | Microcontroller |

Note: This is a simplified example of an application circuit. The function must be verified in the real application.

Application Information

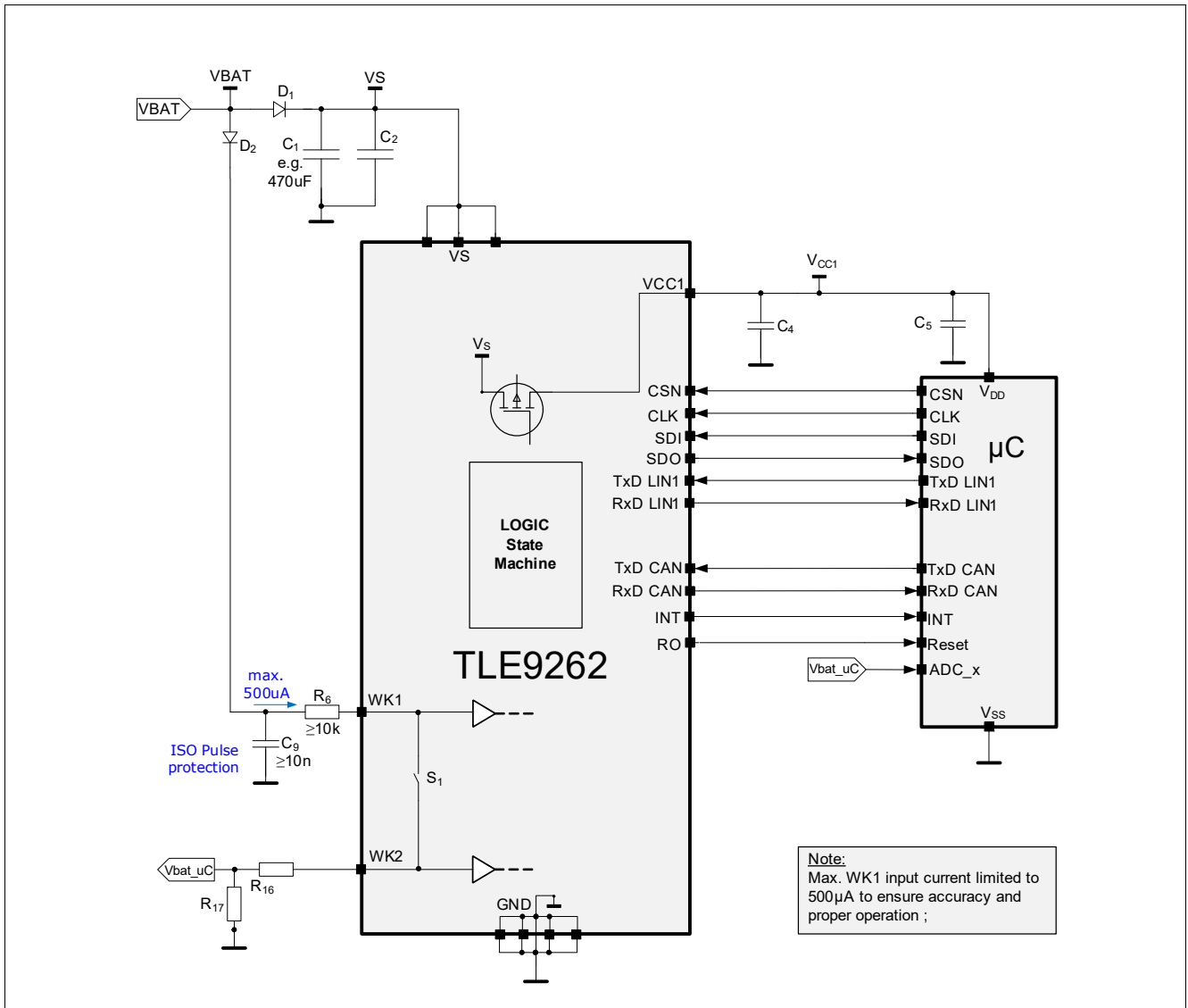


Figure 65 Simplified Application Diagram with the Alternate Measurement Function via WK1 and WK2

Note: This is a very simplified example of an application circuit. The function must be verified in the real application. WK1 must be connected to signal to be measured and WK2 is the output to the microcontroller supervision function. The maximum current into WK1 must be <500µA. The minimum current into WK1 should be >5µA to ensure proper operation.

Application Information

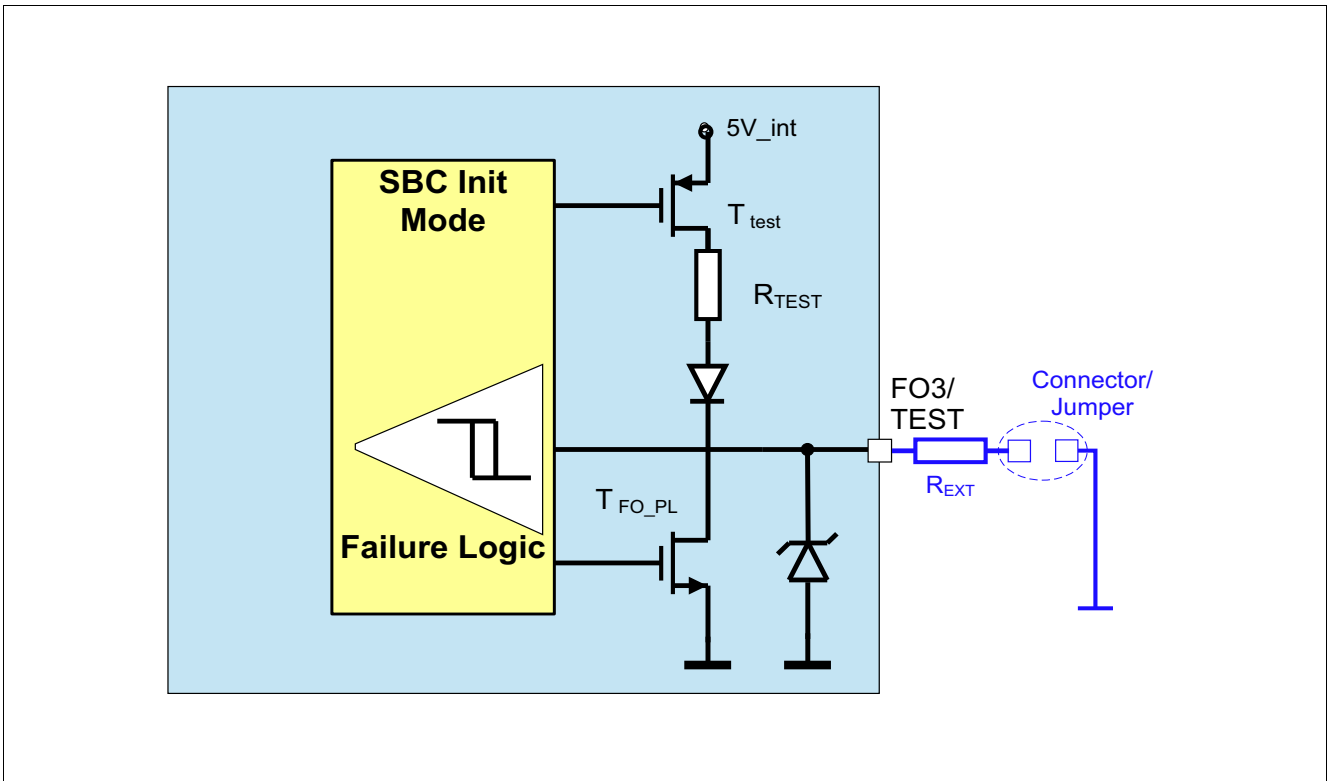


Figure 66 Hint for Increasing the Robustness of pin FO3/TEST during Debugging or Programming

Application Information

17.2 ESD Tests

Note: Tests for ESD robustness according to IEC61000-4-2 “gun test” (150pF, 330Ω) has been performed. The results and test conditions are available in a test report. The target values for the test are listed in [Table 41](#) below.

Table 41 ESD “Gun Test”

| Performed Test | Result | Unit | Remarks |
|--|--------|------|--------------------------------|
| ESD at pin CANH, CANL, LIN, VS, WK1..3, HSx, VCC2, VCC3 versus GND | >6 | kV | ¹⁾²⁾ positive pulse |
| ESD at pin CANH, CANL, LIN, VS, WK1..3, HSx, VCC2, VCC3 versus GND | < -6 | kV | ¹⁾²⁾ negative pulse |

- 1) ESD Test “Gun Test” is specified with external components for pins VS, WK1..3, HSx, VCC3 and VCC2. See the application diagram in [Chapter 17.1](#) for more information.
- 2) ESD susceptibility “ESD GUN” according LIN EMC 1.3 Test Specification, Section 4.3 (IEC 61000-4-2). Tested by external test house (IBEE Zwickau, EMC Test report Nr. 04-01-17)

EMC and ESD susceptibility tests according to SAE J2962-2 (2010) have been performed. Tested by external test house (UL LLC).

Application Information

17.3 Thermal Behavior of Package

Below figure shows the thermal resistance (R_{th_JA}) of the device vs. the cooling area on the bottom of the PCB for $T_a = 85^\circ\text{C}$. Every line reflects a different PCB and thermal via design.

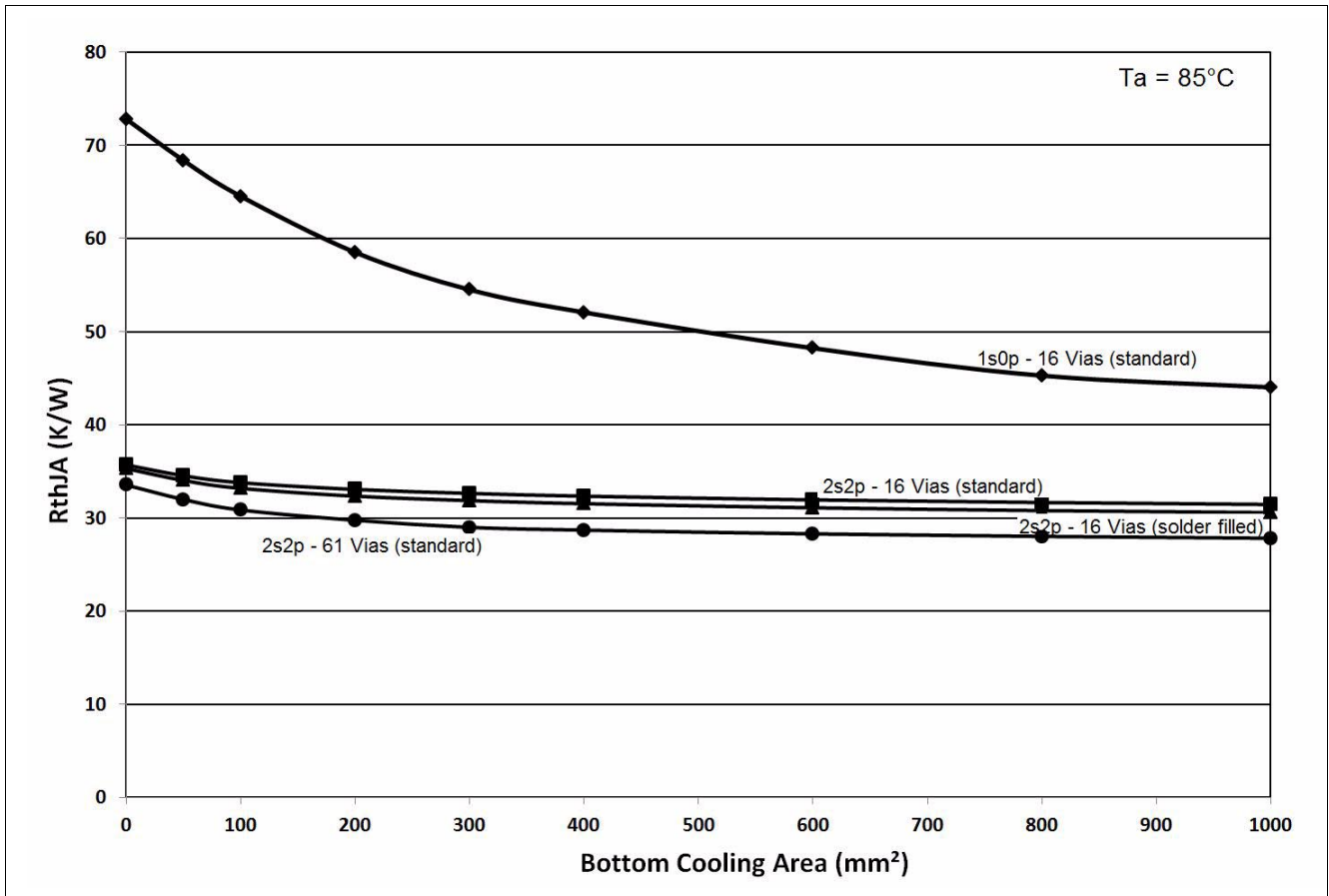


Figure 67 Thermal Resistance (R_{th_JA}) vs. Cooling Area

Application Information

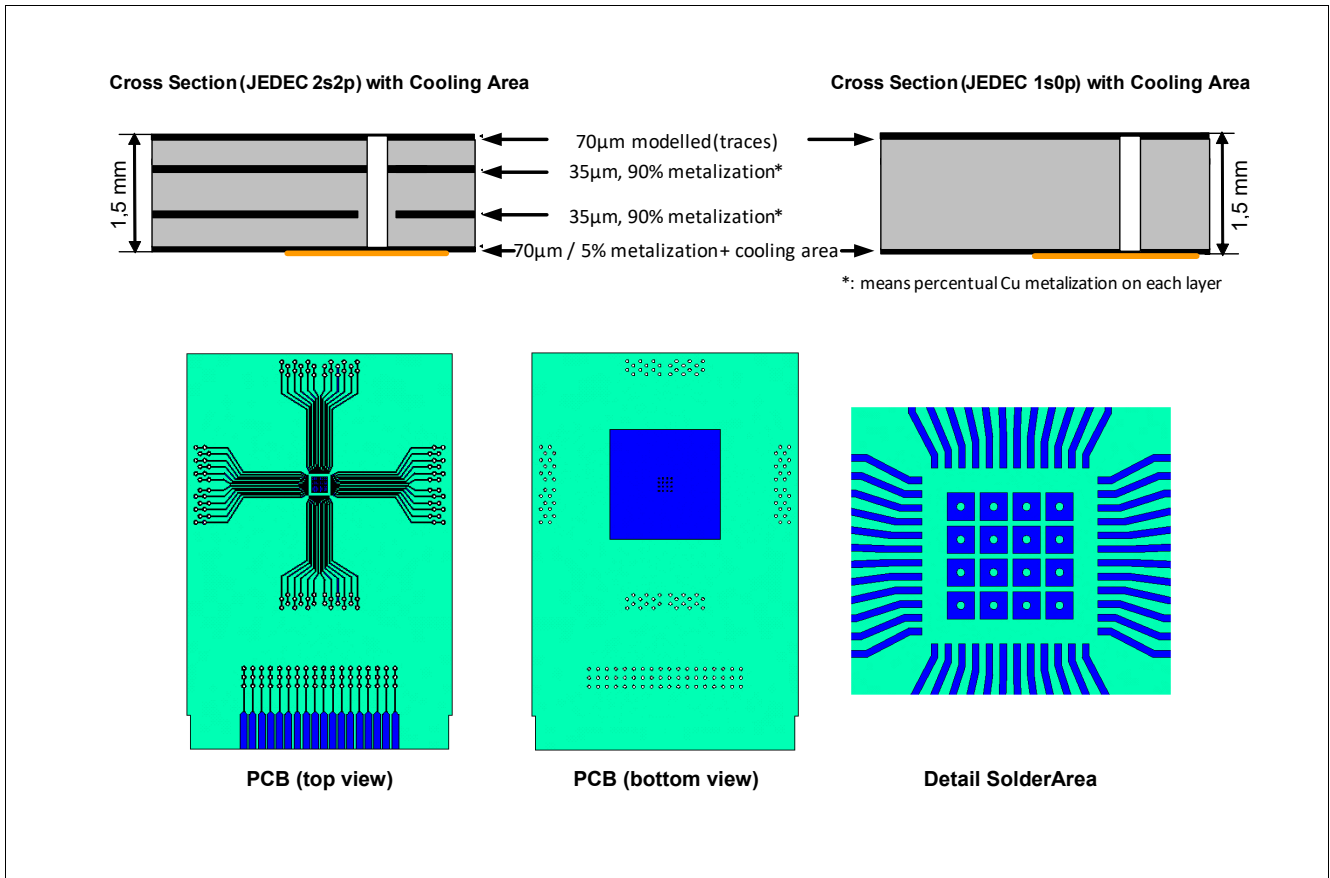


Figure 68 Board Setup

Board setup is defined according to JESD 51-2,-5,-7.

Board: 76.2x114.3x1.5mm³ with 2 inner copper layers (35µm thick), with thermal via array under the exposed pad contacting the first inner copper layer and 300mm² cooling area on the bottom layer (70µm).

Package Outlines

18 Package Outlines

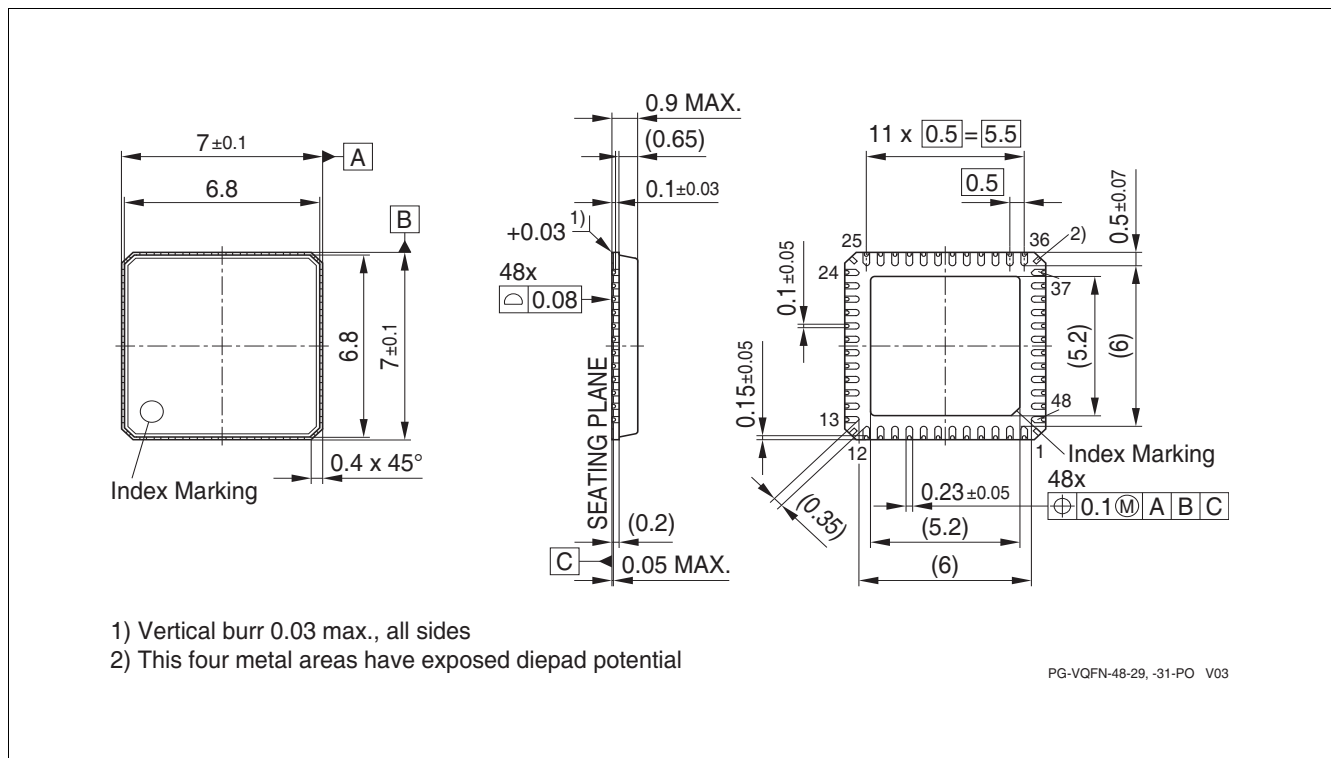


Figure 69 PG-VQFN-48-31

Note: Dimensions in mm.
The tie bars have an internal connection to the exposed pad.
For assembly recommendations please also refer to the documents "Recommendations for Board Assembly (VQFN and IQFN)" and "VQFN48 Layout Hints" on the Infineon website (www.infineon.com).

The PG-VQFN-48-31 package is a leadless exposed pad power package featuring Lead Tip Inspection (LTI) to support Automatic Optical Inspection (AOI).

Green Product (RoHS compliant)

To meet the world-wide customer requirements for environmentally friendly products and to be compliant with government regulations the device is available as a green product. Green products are RoHS-Compliant (i.e Pb-free finish on leads and suitable for Pb-free soldering according to IPC/JEDEC J-STD-020).

For further information on alternative packages, please visit our website:
<http://www.infineon.com/packages>.

Dimensions in mm

Revision History

19 Revision History

| Revision | Date | Changes |
|----------|------------|--|
| Rev. 1.1 | 2019-09-27 | <p>Datasheet updated:</p> <ul style="list-style-type: none"> • Editorial changes • General: added ISO 17987-4 to LIN 2.2 • Updated Table 4 <ul style="list-style-type: none"> – corrected footnote 9) to match P_4.4.33, i.e changed 525µA to 550µA • Chapter 5.1.4 “SBC Sleep Mode”: added condition for CAN mode handling before SBC Sleep Mode entry • Table 9 “CAN Modes ...”: CAN_x bits for CAN Receive Only (no SWK) • Figure 3 “State Diagram ...”: added footnote with condition for CAN mode handling before SBC Sleep Mode entry • Figure 31 “CAN Mode Control Diagram”: added Footnote 2) with condition for CAN mode handling before SBC Sleep Mode entry • Updated Table 24 <ul style="list-style-type: none"> – added P_10.3.57 and P_10.3.58 (no product change) – added P_10.3.59, P_10.3.60, P_10.3.61 and P_10.3.62 – tightened P_10.3.16 – tightened P_10.3.39 and P_10.3.40 by additional footnote • Figure 10.2.4 “CAN Wake Capable Mode”, rearming the transceiver for wake capability: added condition for CAN mode handling before SBC Sleep Mode entry • SWK_CTRL: added note (5.) to SWK_CTRL register |
| Rev. 1.0 | 2017-07-31 | Initial Release |

Trademarks

All referenced product or service names and trademarks are the property of their respective owners.

Edition 2019-09-27

Published by

Infineon Technologies AG

81726 Munich, Germany

© 2020 Infineon Technologies AG.

All Rights Reserved.

Do you have a question about any aspect of this document?

Email: erratum@infineon.com

Document reference

Z8F68449750

IMPORTANT NOTICE

The information given in this document shall in no event be regarded as a guarantee of conditions or characteristics ("Beschaffheitsgarantie").

With respect to any examples, hints or any typical values stated herein and/or any information regarding the application of the product, Infineon Technologies hereby disclaims any and all warranties and liabilities of any kind, including without limitation warranties of non-infringement of intellectual property rights of any third party.

In addition, any information given in this document is subject to customer's compliance with its obligations stated in this document and any applicable legal requirements, norms and standards concerning customer's products and any use of the product of Infineon Technologies in customer's applications.

The data contained in this document is exclusively intended for technically trained staff. It is the responsibility of customer's technical departments to evaluate the suitability of the product for the intended application and the completeness of the product information given in this document with respect to such application.

For further information on technology, delivery terms and conditions and prices, please contact the nearest Infineon Technologies Office (www.infineon.com).

WARNINGS

Due to technical requirements products may contain dangerous substances. For information on the types in question please contact your nearest Infineon Technologies office.

Except as otherwise explicitly approved by Infineon Technologies in a written document signed by authorized representatives of Infineon Technologies, Infineon Technologies' products may not be used in any applications where a failure of the product or any consequences of the use thereof can reasonably be expected to result in personal injury.