

TOSHIBA PHOTOCOUPLER GaAs IRED & PHOTO-TRIAC

TLP3009(S), TLP3010(S), TLP3011(S), TLP3012(S)

OFFICE MACHINE

HOUSEHOLD USE EQUIPMENT

TRIAC DRIVER

SOLID STATE RELAY

The TOSHIBA TLP3009 (S), TLP3010 (S), TLP3011 (S) and TLP3012 (S) consist of a photo-triac optically coupled to a gallium arsenide infrared emitting diode in a six lead plastic DIP.

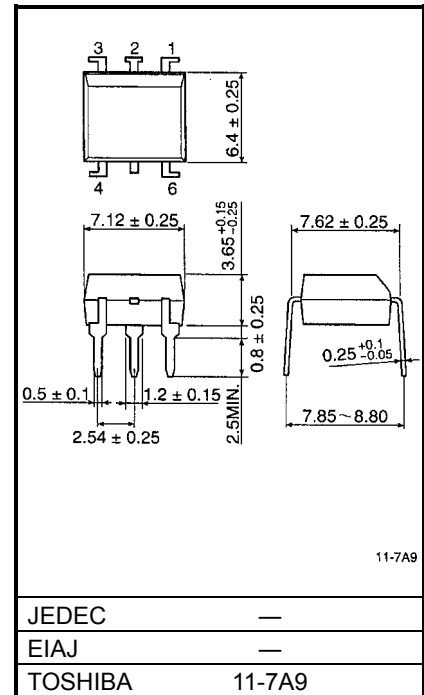
All parameters are tested to the specification of TLP3009, TLP3010, TLP3011 and TLP3012.

- Peak Off-State Voltage : 250 V (min)
- Trigger LED Current : 30 mA (max) (TLP3009)
15 mA (max) (TLP3010)
10 mA (max) (TLP3011)
5 mA (max) (TLP3012)
- On-State Current : 100 mA (max)
- UL Recognized : UL1577, File No. E67349
- Isolation Voltage : 5000 Vrms (min)
- SEMKO Approved : SS EN60065
SS EN60950
SS EN60335
- Option (D4) Type VDE Approved : DIN VDE0884 / 06.92
Certificate No. 68329

Maximum Operating Insulation Voltage : 890 Vpk
Highest Permissible Over Voltage : 8000 Vpk

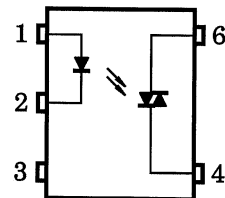
Note: When a VDE0884 approved type is needed, please designate the "Option (D4)"

Unit: mm



Weight: 0.39 g

PIN CONFIGURATION (Top view)



- 1: ANODE
- 2: CATHODE
- 3: N.C.
- 4: TERMINAL 1
- 6: TERMINAL 2

	7.62 mm pitch standard type	10.16 mm pitch (LF2) type
Creepage Distance	7.0 mm (min)	8.0 mm (min)
Clearance	7.0 mm (min)	8.0 mm (min)
Insulation Thickness	0.5 mm (min)	0.5 mm (min)