

RED**TOSHIBA T-1³/₄ InGaAlP Ultra Bright LED**

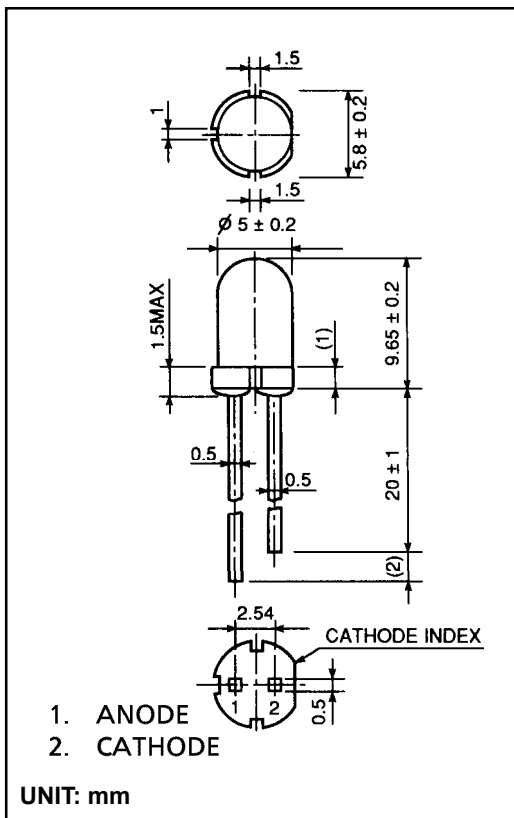
TLRE180AP

Product Features -

- InGaAlP Technology
- T-1³/₄ (5 mm) Package
- Red Light ($\lambda_p = 644$ nm) Emission
- Water Clear Lens
- Narrow Radiation Pattern

MAXIMUM RATINGS (Ta = 25°C)

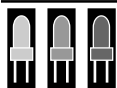
CHARACTERISTIC	SYMBOL	RATING	UNIT
Forward Current	I_F	50	mA
Reverse Voltage	V_R	4	V
Power Dissipation	P_D	125	mW
Operating Temperature	T_{opr}	-30 ~ 85	°C
Storage Temperature	T_{stg}	-40 ~ 120	°C



OPTO-ELECTRICAL CHARACTERISTICS (Ta = 25°C)

CHARACTERISTIC	SYMBOL	TEST CONDITION	MIN.	TYP.	MAX.	UNIT
Forward Voltage	V_F	$I_F = 20$ mA	—	1.85	2.4	V
Reverse Current	I_R	$V_R = 4$ V	—	—	50	μ A
Luminous Intensity	I_V	$I_F = 20$ mA	850	2500	—	mcd
Viewing Angle	$2\theta_{1/2}$	—	—	8	—	°
Peak Wavelength	λ_p	$I_F = 20$ mA	—	644	—	nm
Dominant Wavelength	λ_d	$I_F = 20$ mA	—	630	—	nm
Spectral Line Half Width	$\Delta\lambda$	$I_F = 20$ mA	—	18	—	nm

* Luminous Ranks: (S : 1000-2000mcd), (T : 1800-3600mcd), (U : 3200-6400mcd) Upper and lower limit tolerance $\pm 15\%$
 Available in Two Bin Combinations: (ST), (TU)



marktech
optoelectronics

120 Broadway • Menands, New York 12204

Toll Free: (800) 98-4LEDS • Fax: (518) 432-7454

TLRE180AP Graphs -

