

GPG128X64-NFPCELYZ *TM0027*

128 x 64

FEATURES:

Display Format: 128 x 64
 Operation temperature: -20° ~+70° C
 Backlight: LED
 Weight (g): 7.2
 Duty: 1/65

DOT SPACE: 15 Micron

MECHANICAL DATA *WxH (mm):*

Module size: 40.5 x 34.0 x 2.0 Dot Size: 0.225 x 0.285
 Viewing Area: 33.8 x 22.2 Dot Pitch: 0.240 x 0.300
 Active Area 30.705 x 19.185

INTERFACE PIN CONNECTIONS:

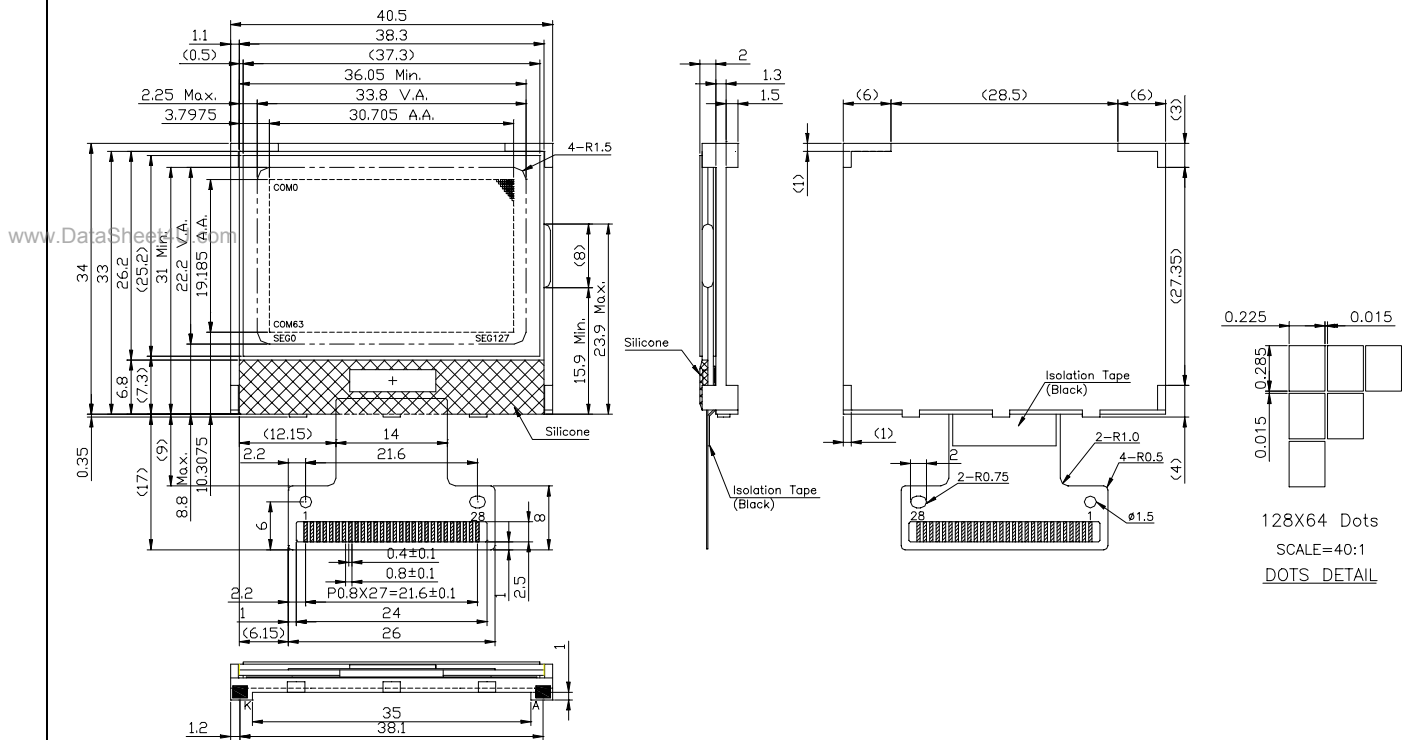
| | | | | | | | | | | | | | | | |
|-----|-----|-----|----|----|----|----|---------|-----------|-------|-------|-------|-------|------|-----|----|
| 1 | 2 | 3 | 4 | 5 | 6 | 7 | 8 | 9 | 10 | 11 | 12 | 13 | 14 | 15 | 16 |
| VDD | C86 | VSS | V5 | V4 | V3 | V2 | V1 | CAP2+ | CAP2- | CAP1- | CAP1+ | CAP3- | VOUT | VSS | D7 |
| 17 | 18 | 19 | 20 | 21 | 22 | 23 | 24 | 25 | 26 | 27 | 28 | | | | |
| D6 | D5 | D4 | D3 | D2 | D1 | D0 | RD E | WR R/W | A0 | RES | CS | | | | |

ELECTRICAL CHARACTERISTICS: (Test Conditions: +25°C)

| Item | Symbol | Min. | Typ. | Max. | Unit |
|------------------------------|--------|------|------|------|------|
| Module Supply Voltage: | Vdc | 2.7 | 3.0 | 3.3 | V |
| Supply Current: | Idd | - | 2.0 | - | mA |
| Backlight Driving Voltage: | V | - | 4.1 | 4.5 | V |
| Backlight Driving Current: | I | - | 50.0 | - | mA |
| Backlight Driving Frequency: | f | - | --- | - | Hz |

OPTICAL CHARACTERISTICS

| Item | Symbol | Min. | Typ. | Max. | Unit |
|--------------------|--------|------|------|------|-------------------|
| Contrast: | CR | 4 | 8 | - | K |
| Brightness (5Vdc): | Iv | - | 2 | - | Cd/m ² |



128X64 Dots
 SCALE=40:1
 DOTS_DETAIL