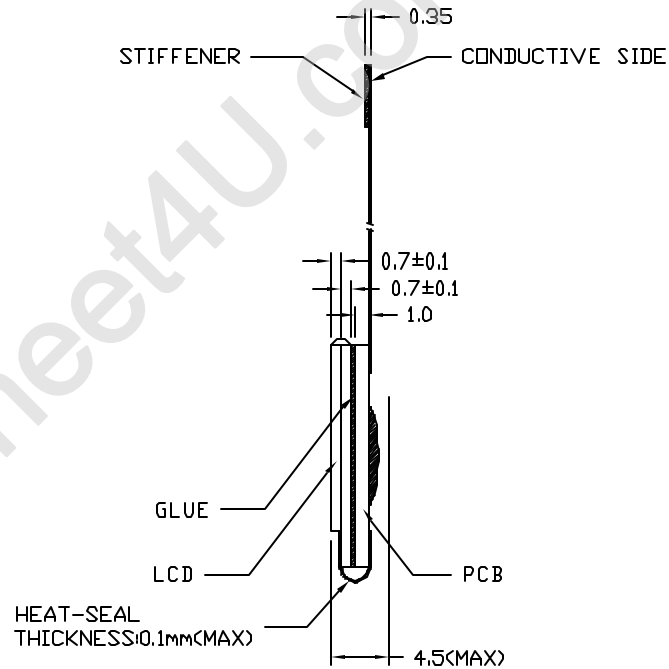
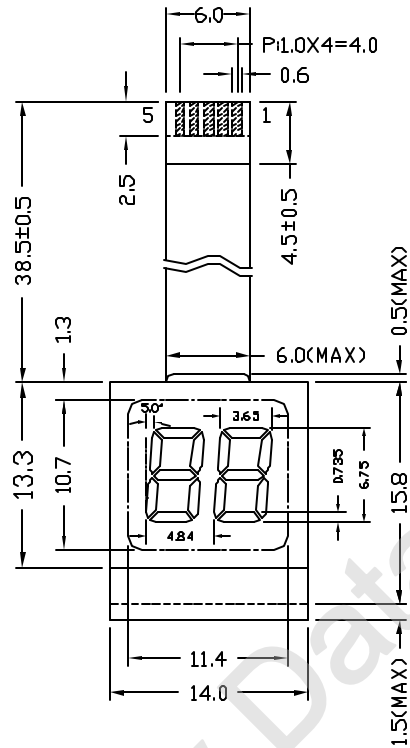


液晶之友 电话: 020-33819057
 Http://www.lcdfriends.com



NOTES:

- | | |
|------------------------------|---------------------|
| 1. DISPLAY TYPE: | TN MODE |
| 2. VIEWING DIRECTION: | 6:00 |
| 3. POLARIZER MODE: | REFLECTIVE/POSITIVE |
| 4. OPERATING TEMP: | 10°C--+35°C |
| 5. STORAGE TEMP: | -10°C--+60°C |
| 6. VDD: | 3.3V |
| 7. LCD OPERATING VOLTAGE: | 3.3V |
| 8. DRIVE METHOD: | DUTY 1/2 BIAS 1/2 |
| 9. CONTROLLER: | HT1621 |
| 10. ALL UNMARKED TOLERANCES: | ±0.3mm |
| 11. WITHOUT BACKLIGHT | |

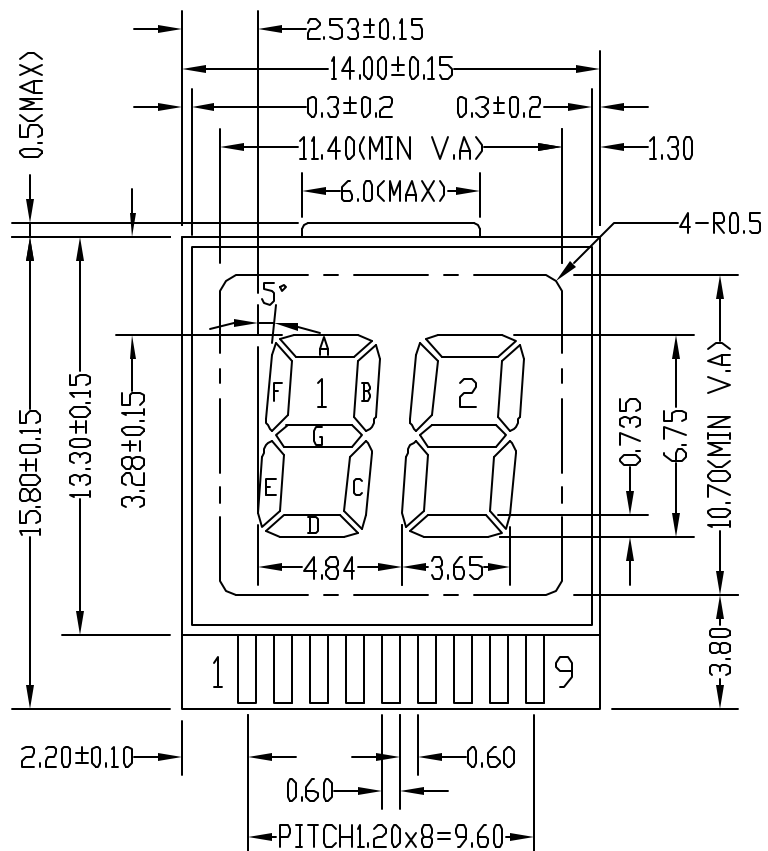
| | | | | |
|-----|-----|------|----|----|
| 1 | 2 | 3 | 4 | 5 |
| VDD | VSS | DATA | WR | CS |



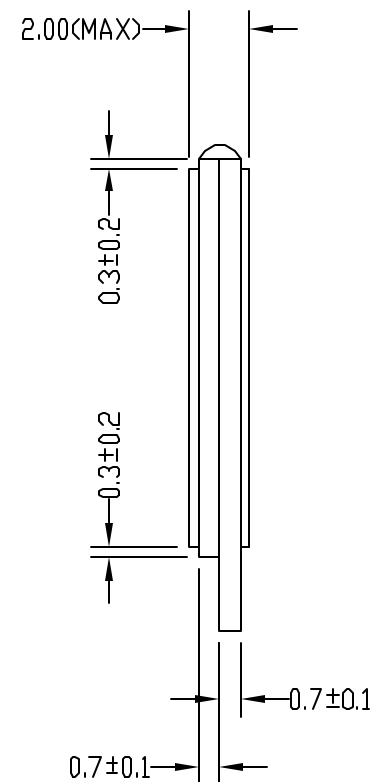
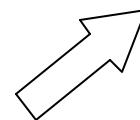
TIAN-MA MICROELECTRONICS CO.

22/F., HANGDU Building, Shennan Road, Central, Shenzhen, China

| | | |
|---------------|-------------------------|-----------|
| DRAWN BY: | TITLE: TM0127AAA6 | |
| CHECKED BY: | DWG NO: G-3 | |
| APPROVED BY: | DWG NAME: TM0127AAA6G-3 | UNITS: mm |
| CONFIRMED BY: | SECRET NO: 0F | |




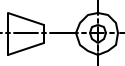
FRONT



| | | | |
|------|------|------|----|
| PIN | 1 | 2 | 3 |
| COM1 | COM1 | / | 1F |
| COM2 | / | COM2 | 1E |
| PIN | 4 | 5 | 6 |
| COM1 | 1G | 1B | 2F |
| COM2 | 1D | 1C | 2E |
| PIN | 7 | 8 | 9 |
| COM1 | 2G | 2B | 1A |
| COM2 | 2D | 2C | 2A |

NOTES:

1. DISPLAY TYPE: TN
2. VIEWING DIRECTION: 6:00
3. POLARIZER MODE: REFLECTIVE/POSITIVE
4. DRIVE METHOD: 1/2 DUTY 1/2 BIAS
5. OPERATING VOLTAGE: 3.3V
6. OPERATING TEMP.: 10°C--+35°C
7. STORAGE TEMP.: -10°C--+60°C
8. CONNECTOR: HEAT-SEAL

| | | |
|---|--|---|
|  TIANMA MICRO-ELECTRONICS CO.,LTD South, 22/F, Hongqiu Building, Catic Zone, Sherman Road, Central, Shenzhen, China. | |  |
| | | |