

**MODEL NO :** TM035KBH02  
**MODEL VERSION:** 09  
**SPEC VERSION :** 2.3  
**ISSUED DATE:** 2015-11-26

- Preliminary Specification  
 Final Product Specification

Customer : \_\_\_\_\_

Approved by	Notes

TIANMA Confirmed :

Prepared by	Checked by	Approved by
Bin Wang	LongPin Deng	Feng Qin

This technical specification is subjected to change without notice

## Table of Contents

Table of Contents .....	2
Record of Revision .....	3
1 General Specifications .....	4
2 Input/Output Terminals .....	5
3 Absolute Maximum Ratings .....	7
4 Electrical Characteristics .....	8
5 Timing Chart .....	10
6 Optical Characteristics .....	19
7 Environmental / Reliability Test .....	22
8 Mechanical Drawing .....	23
9 Packing Drawing .....	26
10 Precautions for Use of LCD Modules .....	28

TIANMA CONFIDENTIAL

## Record of Revision

Rev	Issued Date	Description	Editor
2.0	2011-5-25	Rev 2.0 was released.	Jin Zhao
2.1	2013-10-28	Change IC from NT39016D to NV3035C, update RGB timing and initial code	Jin Zhao
2.2	2013-12-5	Update RGB timing	Jin Zhao
2.3	2015-11-26	New version Spec ,Update LED Life and the correspondence between temperature and humidity	Bin Wang

The information contained herein is the exclusive property of TIANMA MICRO-ELECTRONICS Corporation and shall not be distributed, reproduced, or disclosed in whole or in part without prior written permission of TIANMA MICRO-ELECTRONICS Corporation.

## 1 General Specifications

Feature		Spec
<b>Display Spec.</b>	Size	3.5inch
	Resolution	320(RGB) X 240
	Technology Type	a-Si TFT
	Pixel Configuration	R.G.B. Vertical Stripe
	Pixel pitch(mm)	0.219 x 0.219
	Display Mode	TM with Normally White
	Surface Treatment	Anti-glare type (3H)
	Viewing Direction	12 o'clock
	Gray Scale Inversion Direction	6 o'clock
<b>Mechanical Characteristics</b>	LCM (W x H x D) (mm)	76.90 x 63.90 x 4.00
	Active Area(mm)	70.08 x 52.56
	With /Without TSP	With TSP
	Connection Type	ZIF connector
	LED Numbers	6 LEDs Serial
	Weight (g)	40g
<b>Electrical Characteristics</b>	Interface	RGB/CCIR656/601
	Color Depth	16.7M dithering
	Driver IC	NV3035C

Note 1: Viewing direction for best image quality is different from TFT definition. There is a 180 degree shift.

Note 2: Requirements on Environmental Protection: Q/S0002

Note 3: LCM weight tolerance:  $\pm 5\%$

## 2 Input/Output Terminals

Recommend connector: Kyocera elco: 6240 serials

No	Symbol	I/O	Description	Remark
1,2	LED_Cathode	I	LED_Cathode	
3,4	LED_Anode	I	LED_Anode	
5	NC	-	No Connect	
6	RESET	I	Reset	
7	NC	-	No Connect	
8	YU	I	Y_Up	
9	XR	I	X_Right	
10	YD	I	Y_Bottom	
11	XL	I	X_Left	
12	D00	I	Data 00	Note 2-1
13	D01	I	Data 01	Note 2-1
14	D02	I	Data 02	Note 2-1
15	D03	I	Data 03	Note 2-1
16	D04	I	Data 04	Note 2-1
17	D05	I	Data 05	Note 2-1
18	D06	I	Data 06	Note 2-1
19	D07	I	Data 07	Note 2-1
20	D08	I	Data 08	Note 2-1
21	D09	I	Data 09	Note 2-1
22	D10	I	Data 10	Note 2-1
23	D11	I	Data 11	Note 2-1
24	D12	I	Data 12	Note 2-1
25	D13	I	Data 13	Note 2-1
26	D14	I	Data 14	Note 2-1
27	D15	I	Data 15	Note 2-1
28	D16	I	Data 16	Note 2-1
29	D17	I	Data 17	Note 2-1
30	D18	I	Data 18	Note 2-1
31	D19	I	Data 19	Note 2-1

32	D20	I	Data 20	Note 2-1
33	D21	I	Data 21	Note 2-1
34	D22	I	Data 22	Note 2-1
35	D23	I	Data 23	Note 2-1
36	HSYNC	I	Horizontal Synchronous Signal	
37	VSYNC	I	Vertical Synchronous Signal	
38	CLK	I	Data Clock	
39	NC	-	No Connect	
40	NC	-	No Connect	
41	VDD	P	power supply	
42	VDD	P	power supply	
43	SPENA	I	Serial port data enable signal	
44	NC	-	No Connect	
45	NC	-	No Connect	
46	NC	-	No Connect	
47	NC	-	No Connect	
48	NC	-	No Connect	
49	SPCK	I	SPI Serial Clock	
50	SPDA	I/O	SPI Serial Data Input/output	
51	NC	-	No Connect	
52	DEN	I	Data enabling signal	
53	GND	P	Ground	
54	GND	P	Ground	

I: input    O: output    P: power

**Note 2-1:**

Mode	D(23:16)	D(15:8)	D(7:0)	HSYNC	VSYNC	DEN
CCIR 656	D(23:16)	GND	GND	NC	NC	NC
CCIR 601	D(23:16)	GND	GND	HSYNC	VSYNC	NC
8 Bit RGB	D(23:16)	GND	GND	HSYNC	VSYNC	NC for HV mode
						DEN for DEN mode
24 Bit RGB	R(7:0)	G(7:0)	B(7:0)	HSYNC	VSYNC	NC for HV mode
						DEN for DEN mode

### 3 Absolute Maximum Ratings

Ta = 25°C

Item	Symbol	MIN	MAX	Unit	Remark
Power Voltage	VDD	-0.3	5.0	V	One LED
Back Light Forward Current	I <sub>LED</sub>		25	mA	
Operating Temperature	Top	-20	60	°C	
Storage Temperature	T <sub>st</sub>	-30	70	°C	
Relative Humidity Note1	RH	--	≤95	%	Ta≤40°C
		--	≤85	%	40°C<Ta≤50°C
		--	≤55	%	50°C<Ta≤60°C
		--	≤36	%	60°C<Ta≤70°C
Absolute Humidity	AH	--	≤70	g/m <sup>3</sup>	Ta>70°C

Note1: Ta means the ambient temperature.

It is necessary to limit the relative humidity to the specified temperature range.

Condensation on the module is not allowed

## 4 Electrical Characteristics

### 4.1. Driving TFT LCD Panel

GND=0V, Ta=25°C

Item	Symbol	MIN	TYP	MAX	Unit	Remark
Power Supply Voltage	VDD	3.0	3.3	3.6	V	
Input Signal Voltage	Low Level	$V_{IL}$	0	0.2VCC	V	
	High Level	$V_{IH}$	0.8VCC	VCC	V	
(Panel+LSI) Power Consumption	Black Mode(60HZ)		45	65	mW	
	Standby Mode		0.2	0.3	mW	

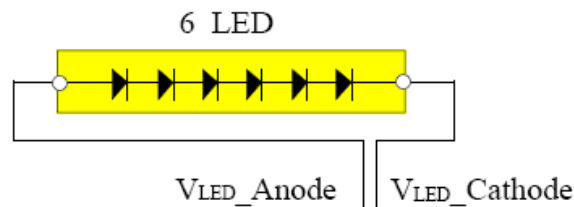
### 4.2 Driving Backlight

Ta=25°C

Item	Symbol	MIN	TYP	MAX	Unit	Remark
Forward Current	$I_F$	--	20	25	mA	
Forward Current Voltage	$V_F$	16.8	19.2	21.6	V	
Backlight Power Consumption	$W_{BL}$	--	384	--	mW	
LED Life Time	-	10,000	20,000		Hrs	

 Note 1: Each LED:  $I_F=20\text{mA}$ ,  $V=3.2\text{V}$ .

Note 2: The figure below shows the connection of LED

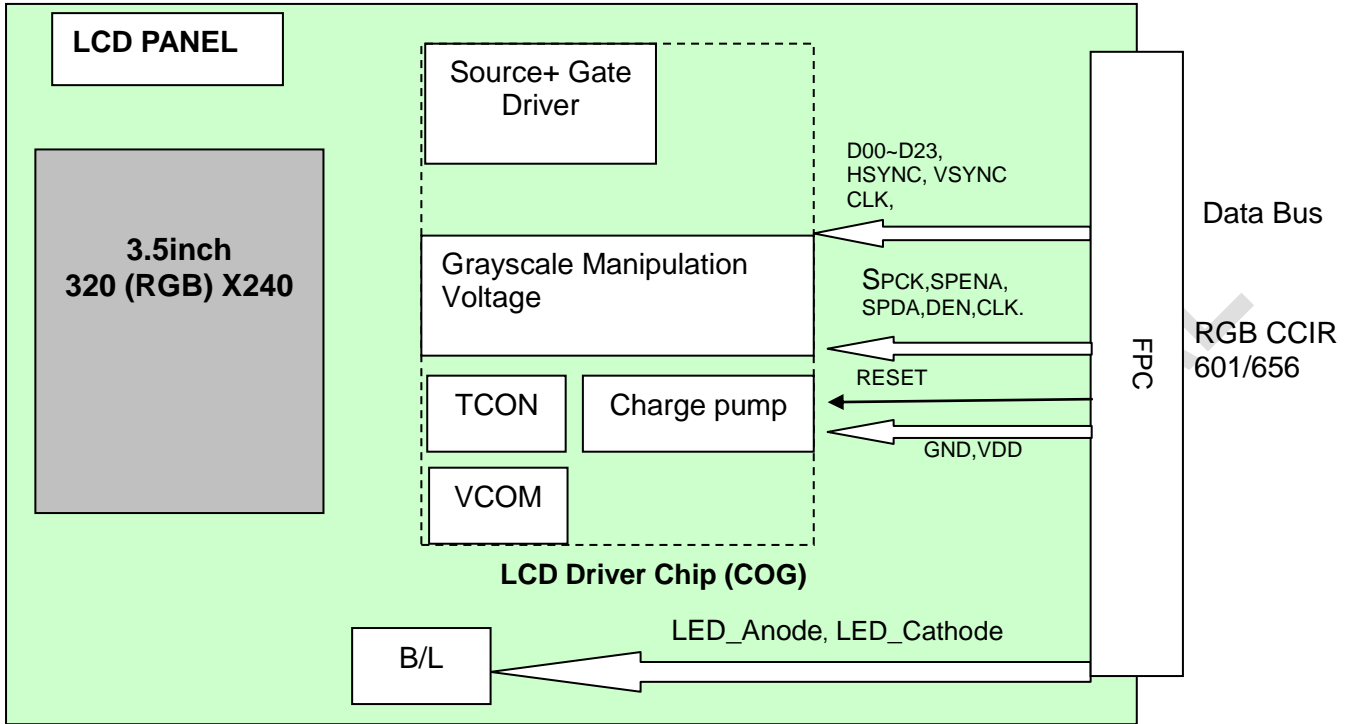

 Note 3:  $I_F$  is defined for one channel LED.

 Optical performance should be evaluated at  $T_a=25^\circ\text{C}$  only.

If LED is driven by high current, high ambient temperature &amp; humidity condition, the life time of LED will be reduced. Operating life means brightness goes down to 50% initial brightness. Typical operating life time is estimated data



4.3 Block Diagram



TIANMA CONFIDENTIAL

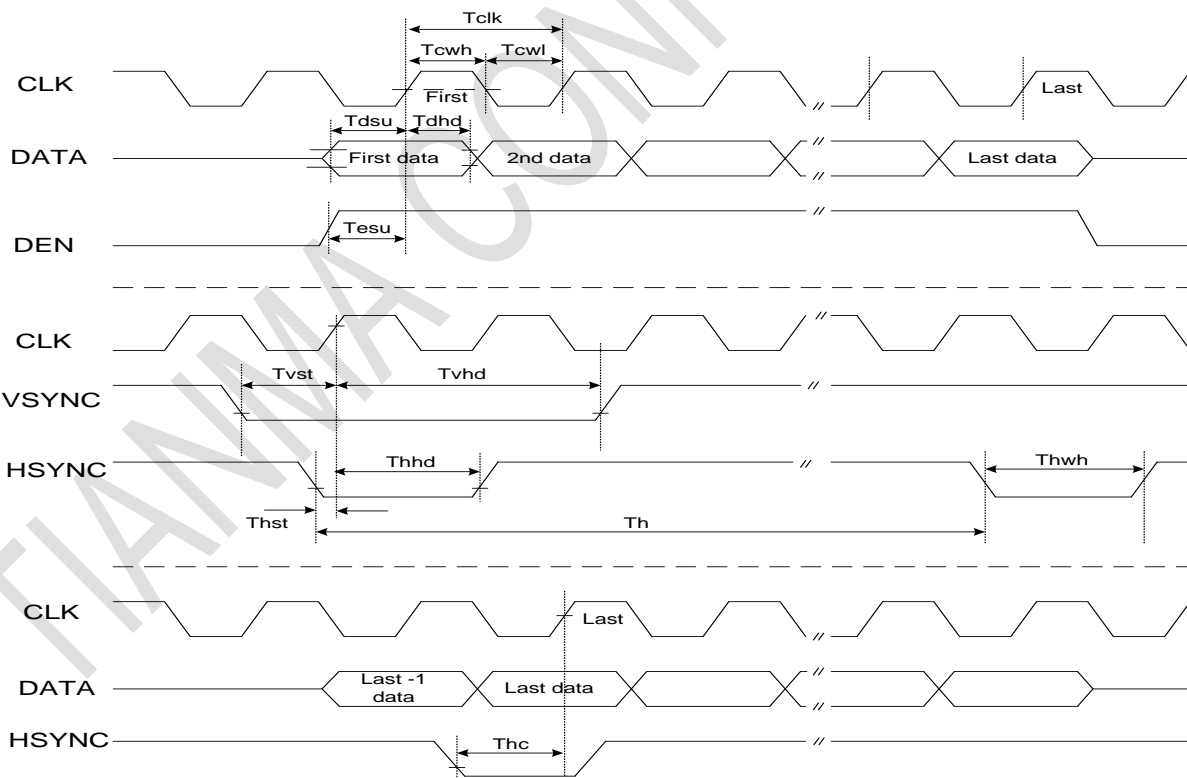
## 5 Timing Chart

### 5.1 Timing Parameter

(VCC=3.3V GND =0V,Ta=25°C)

Parameter	Symbol	Min	Typ	Max	Unit	Condition
CLK Clock Time	$T_{clk}$	1/Max( $F_{clk}$ )	--	1/Min( $F_{clk}$ )	ns	
CLK Pulse Duty	$T_{chw}$	40	50	60	%	$T_{clk}$
HSYNC to CLK	$T_{hc}$	--	--	1	CLK	--
HSYNC Width	$T_{hwh}$	1	--	--	CLK	--
VSYNC Width	$T_{vwh}$	1	--	--	ns	--
HSYNC Period Time	$T_h$	60	63.56	67	ns	--
VSYNC Set-up Time	$T_{vst}$	8	--	--	ns	--
VSYNC Hold Time	$T_{vhd}$	10	--	--	ns	--
HSYNC Setup Time	$T_{hst}$	8	--	--	ns	--
HSYNC Hold Time	$T_{hhd}$	10	--	--	ns	--
Data Set-up Time	$T_{dsu}$	8	--	--	ns	D00~D23 to CLK
Data Hold Time	$T_{dhhd}$	10	--	--	ns	D00~D23 to CLK
DEN Set up Time	$T_{esu}$	12	--	--	ns	DEN to CLK

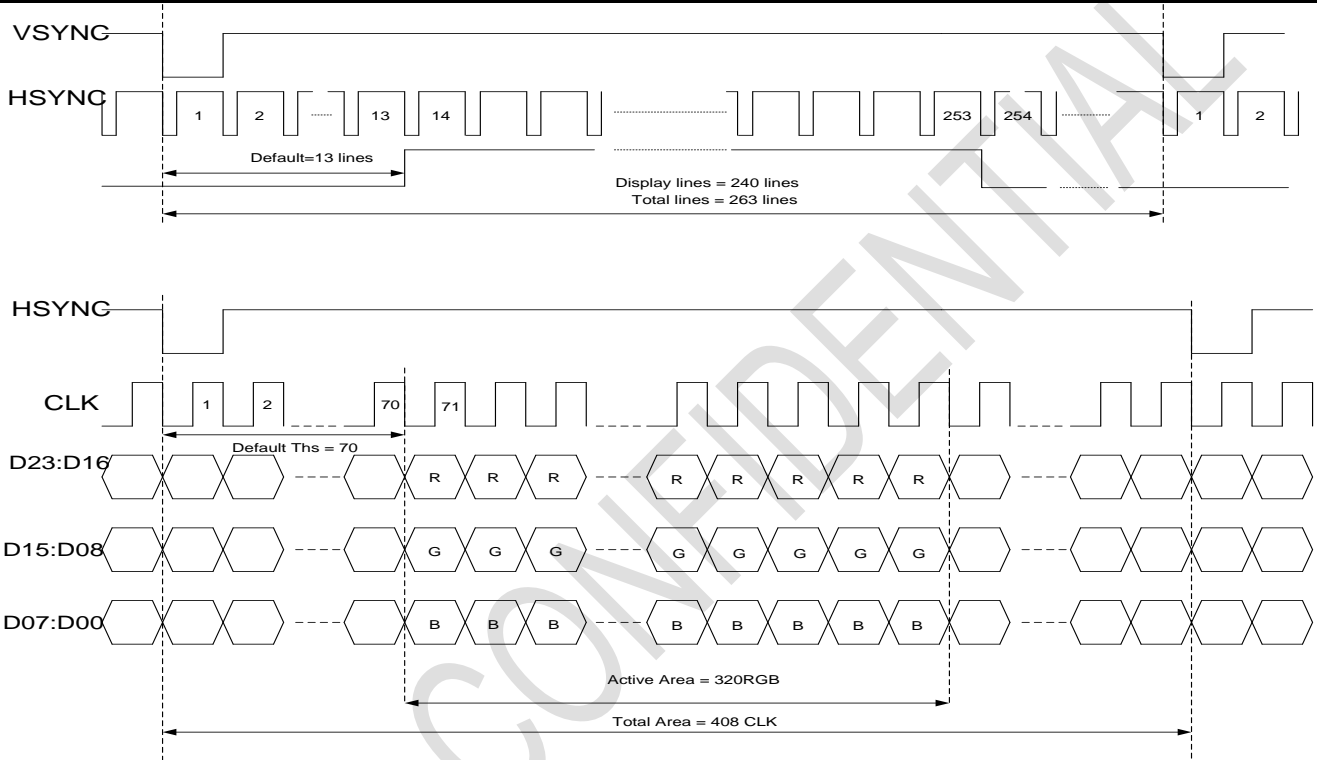
Note: Each CLK Frequency of 24 Bit RGB Mode,8 Bit RGB Mode,CCIR601and CCIR656 are different.



The information contained herein is the exclusive property of TIANMA MICRO-ELECTRONICS Corporation and shall not be distributed, reproduced, or disclosed in whole or in part without prior written permission of TIANMA MICRO-ELECTRONICS Corporation.

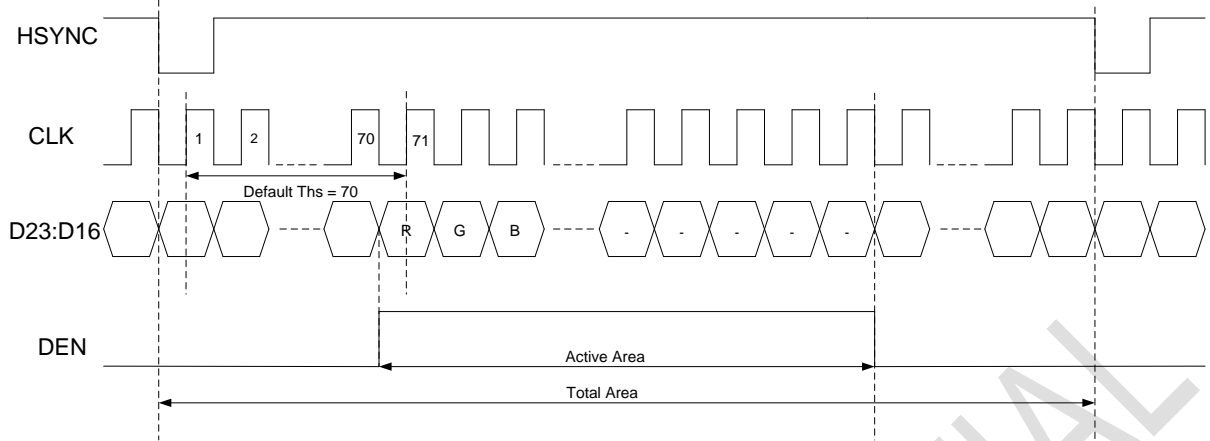
5.2 24 Bit RGB Mode for 320RGB x 240

Parameter	Symbol	Min	Typ	Max	Unit	Condition
CLK Frequency	$F_{clk}$	6.1	6.4	8.0	MHz	VCC=3.0V~3.6V
CLK Cycle Time	$T_{clk}$	125	156	164	ns	
CLK Pulse Duty	$T_{cwh}$	40	50	60	%	
Time that HSYNC to 1st data input(NTSC)	$T_{hs}$	40	70	255	CLK	DDLY =70, Offset = 0 (fixed)



5.3 8 Bit RGB Mode for 320RGB x 240

Parameter	Symbol	Min	Typ	Max	Unit	Condition
CLK Frequency	$F_{clk}$	--	27	30	MHz	VCC=3.0~3.6V
CLK Cycle Time	$T_{clk}$	--	37	--	ns	
Time that HSYNC to 1'st data input(NTSC)	$T_{hs}$	35	70	255	CLK	DDLY = 70, Offset = 0 (fixed)



TIANMA CONFIDENTIAL

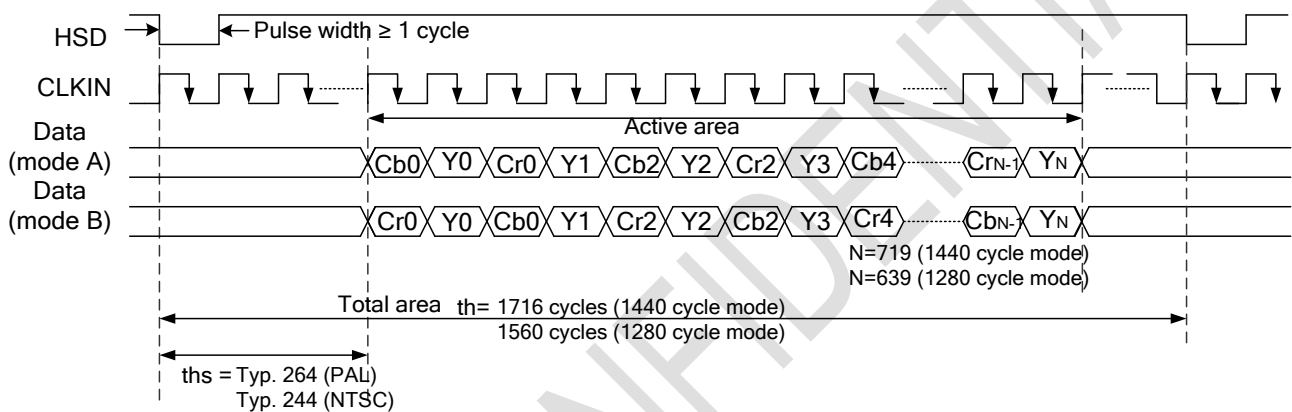
## 5.4 CCIR601

Parameter	Symbol	Min	Typ	Max	Unit	Condition
CLK Frequency	$F_{clk}$	--	24.54/ 27	30	MHz	VCC=3.0V~3.6V
CLK Cycle Time	$T_{clk}$	--	40/37	--	ns	
Time From HSYNC to 1 st data input(PAL)	$T_{hs}$	128	264	--	CLK	DDLY = 136, Offset = 128 (fixed)
Time From HSYNC to 1 st data input(NTSC)	$T_{hs}$	128	244	--	CLK	DDLY = 116, Offset = 128 (fixed)

CLKIN frequency:

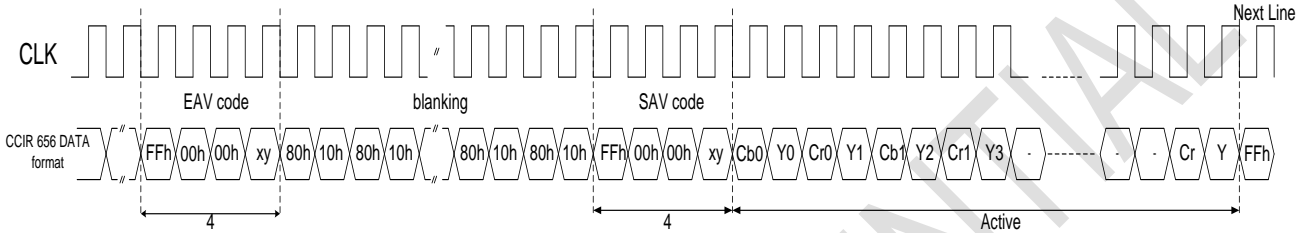
24.54MHz for 1280-cycle mode

27MHz for 1440-cycle mode



5.5 CCIR656

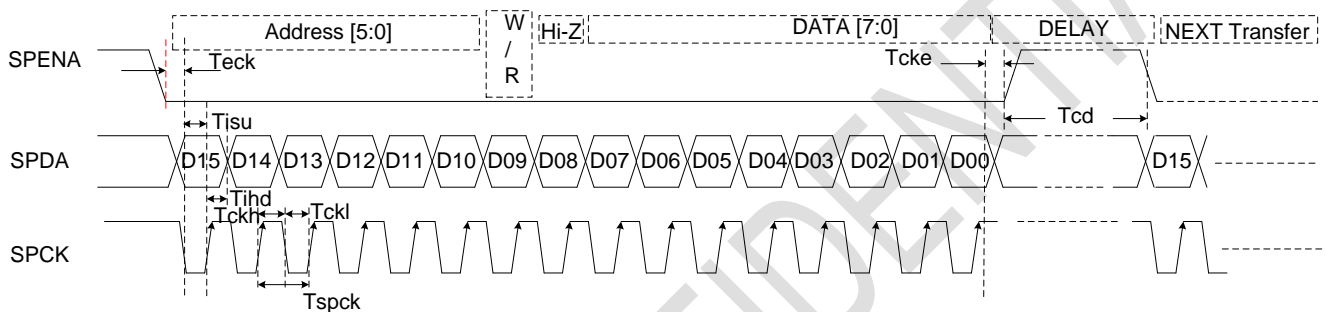
Parameter	Symbol	Min	Typ	Max	Unit	Condition
CLK Frequency	Fclk	--	27	30	MHz	VCC=3.0V~3.6V
CLK Cycle Time	Tclk	--	37	--	ns	
Time that EVA to 1'st data input(PAL)	T <sub>hs</sub>	128	288	--	CLK	DDLY = 152, Offset = 128 (fixed)
Time that EVA to 1'st data input(NTSC)	T <sub>hs</sub>	128	276	--	CLK	DDLY = 140, Offset = 128 (fixed)



TIANMA CONFIDENTIAL

## 5.6 3-Wire Serial Communication AC Timing

Parameter	Symbol	Min	Typ	Max	Unit	Remark
Serial Clock	$T_{SPCK}$	320	--	--	ns	
SPCK Pulse Duty	$T_{scdut}$	40	50	60	%	
Serial Data Setup Time	$T_{isu}$	120	--	--	ns	
Serial Data Hold Time	$T_{ihd}$	120	--	--	ns	
Serial Clock High/Low	$T_{ssw}$	120	--	--	ns	
Chip Select Distinguish	$T_{cd}$	1	--	--	us	



Note: DDLY Description (Ths= DDLY+ Offset)

R04: Source Timing Delay Control Register

Bit	Name	Initial	Description
Bit [7:0]	DDLY[7:0]	46h	Select the HSD signal to 1'st input data delay timing Under CCIR601 mode, Ths = DDLY[7:0] + 128, (Unit = CLKIN) Under CCIR656 mode, Ths = DDLY[7:0] + 136, (Unit = CLKIN) Under RGB 8/24 bit mode, Ths = DDLY[7:0], (Unit = CLKIN) The register value will be update to the different mode,such as 24RGB,8RGB,CCIR mode. Read the section of "24RGB, 8RGB, CCIR mode" for the detail.

**5.7 3-Wire Control Registers List**

3-Wire Registers		Register Description		
D[15:10]	Name	Init	R/W	Function Description
000000b	R00	03h	R/W	System control register
000001b	R01	00h	R/W	Timing controller function register
000010b	R02	03h	R/W	Operation control register
000011b	R03	CCh	R/W	Input data Format control register
000100b	R04	46h	R/W	Source timing delay control register
000101b	R05	0Dh	R/W	Gate timing delay control register
000111b	R07	00h	R/W	Internal function control register
001000b	R08	08h	R/W	RGB contrast control register
001001b	R09	40h	R/W	RGB brightness control register
001011b	R0B	88h	R/W	R/B sub-contrast control register
001100b	R0C	20h	R/W	R sub-brightness control register
001101b	R0D	20h	R/W	B sub-brightness control register
001110b	R0E	2Bh	R/W	VCOMDC level control register
001111b	R0F	A6h	R/W	VCOMAC level control register
010000b	R10	04h	R/W	VGAM2 level control register
010001b	R11	24h	R/W	VGAM3/4 level control register
010010b	R12	24h	R/W	VGAM5/6 level control register
011101b	R1D	00h	R/W	OTP operation control register
011110b	R1E	00h	R/W	OTP operation control register
011111b	R1F	00h	R/W	OTP operation control register

Note :

R03: C4h:CCIR656 Mode

C2h:CCIR601 Mode

C8h:8 bit RGB Mode(HV Mode)

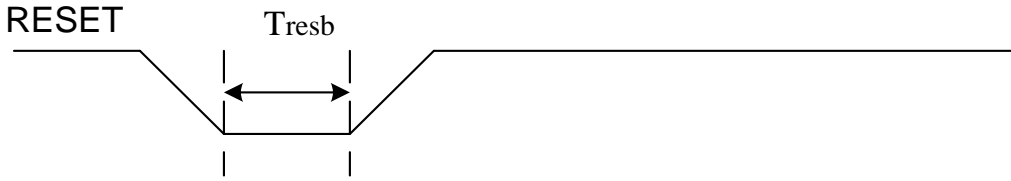
C9h:8 bit RGB Mode(DEN Mode)

CCh(default):24 bit RGB Mode (HV mode)

CDh:24 bit RGB Mode (DEN mode)

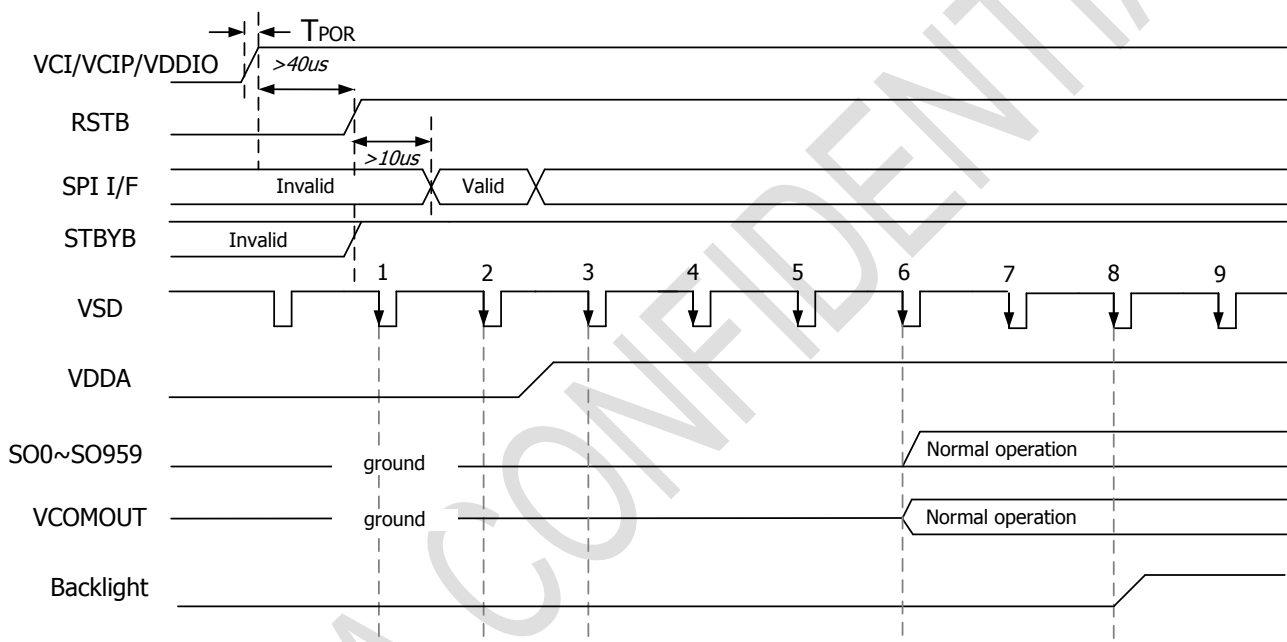


### 5.8 Reset Timing



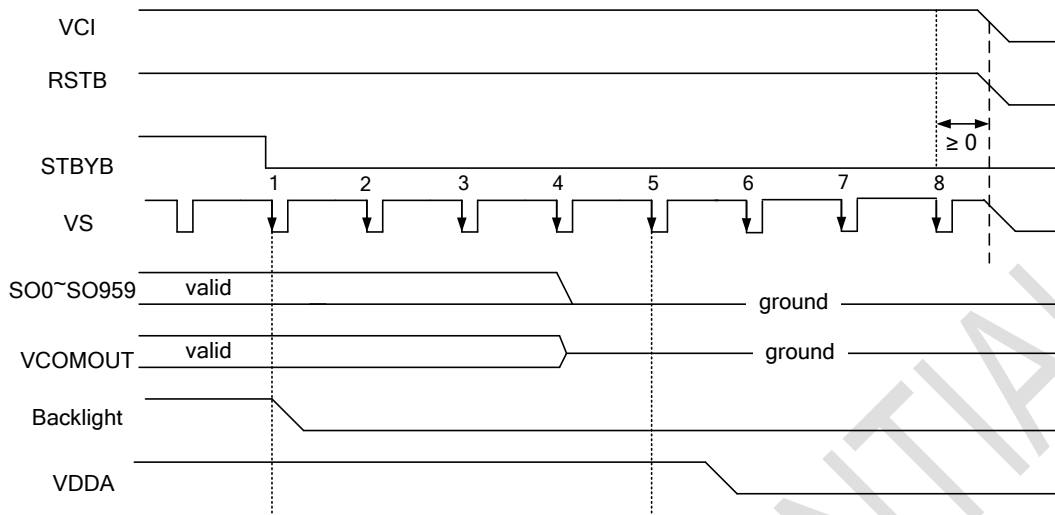
Parameter	Min	Typ	Max	Unit	Conditions
T <sub>resb</sub>	40	-----	----	us	VCC = 3.3V

### 5.9 Power On Sequence



TIANMA CONFIDENTIAL

5.10 Power off Sequence



TIANMA CONFIDENTIAL

## 6 Optical Characteristics

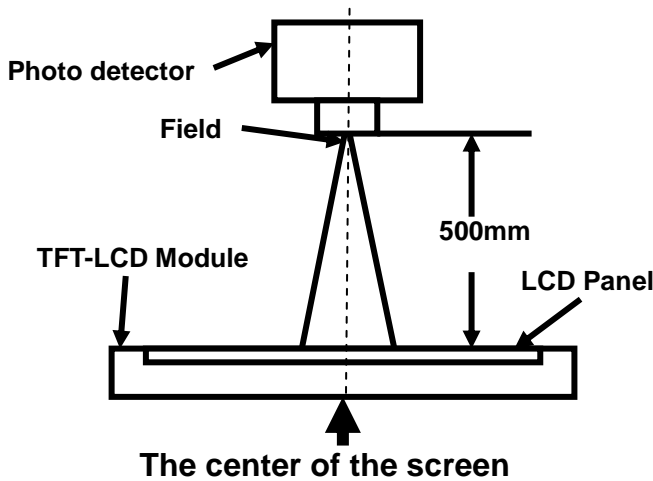
Item	Symbol	Condition	Min	Typ	Max	Unit	Remark
<b>View Angles</b>	$\theta T$	$CR \geq 10$	50	60		Degree	Note2,3
	$\theta B$		60	70			
	$\theta L$		60	70			
	$\theta R$		60	70			
<b>Contrast Ratio</b>	CR	$\theta=0^\circ$	400	500			Note 3
<b>Response Time</b>	$T_{ON}$	$25^\circ C$		25	40	ms	Note 4
	$T_{OFF}$						
<b>Chromaticity</b>	<b>White</b>	Backlight is on	x	0.230	0.280	0.330	Note 1,5
			y	0.260	0.310	0.360	
	<b>Red</b>		x	0.530	0.580	0.630	Note 1,5
			y	0.270	0.320	0.370	
	<b>Green</b>		x	0.280	0.330	0.380	Note 1,5
			y	0.535	0.585	0.635	
	<b>Blue</b>		x	0.100	0.150	0.200	Note 1,5
			y	0.050	0.100	0.150	
<b>Uniformity</b>	U		75	80		%	Note 6
<b>NTSC</b>				50		%	Note 5
<b>Luminance</b>	L		280	350		cd/m <sup>2</sup>	Note 7

Test Conditions:

1.  $I_F = 20$  mA, and the ambient temperature is  $25^\circ C$ .
2. The test systems refer to Note 1 and Note 2.

Note 1: Definition of optical measurement system.

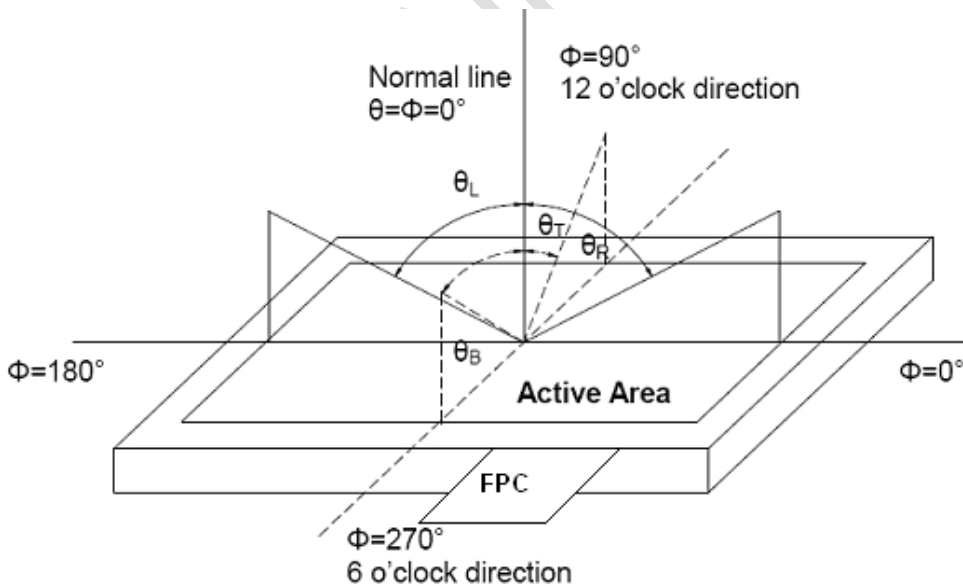
The optical characteristics should be measured in dark room. After 5 Minutes operation, the optical properties are measured at the center point of the LCD screen. All input terminals LCD panel must be ground when measuring the center area of the panel.



Item	Photo detector	Field
Contrast Ratio	SR-3A	1°
Luminance		
Chromaticity		
Lum Uniformity		
Response Time	BM-7A	2°

Note 2: Definition of viewing angle range and measurement system.

viewing angle is measured at the center point of the LCD by CONOSCOPE(ergo-80).



Note 3: Definition of contrast ratio

$$\text{Contrast ratio (CR)} = \frac{\text{Luminance measured when LCD is on the "White" state}}{\text{Luminance measured when LCD is on the "Black" state}}$$

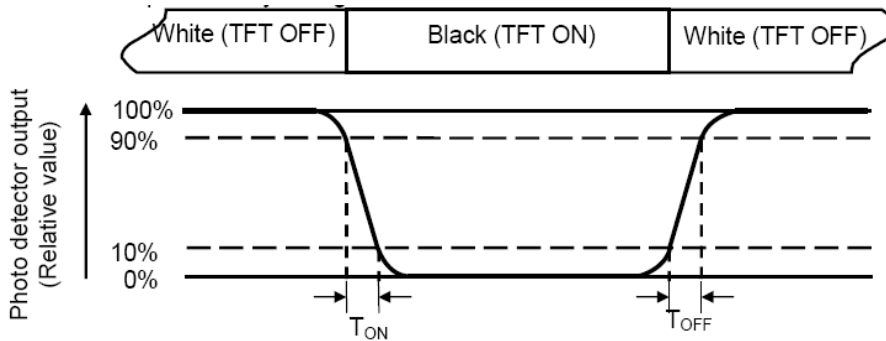
“White state “: The state is that the LCD should drive by V<sub>white</sub>.

“Black state”: The state is that the LCD should drive by V<sub>black</sub>.

V<sub>white</sub>: To be determined    V<sub>black</sub>: To be determined.

Note 4: Definition of Response time

The response time is defined as the LCD optical switching time interval between “White” state and “Black” state. Rise time (T<sub>ON</sub>) is the time between photo detector output intensity changed from 90% to 10%. And fall time (T<sub>OFF</sub>) is the time between photo detector output intensity changed from 10% to 90%.



Note 5: Definition of color chromaticity (CIE1931)

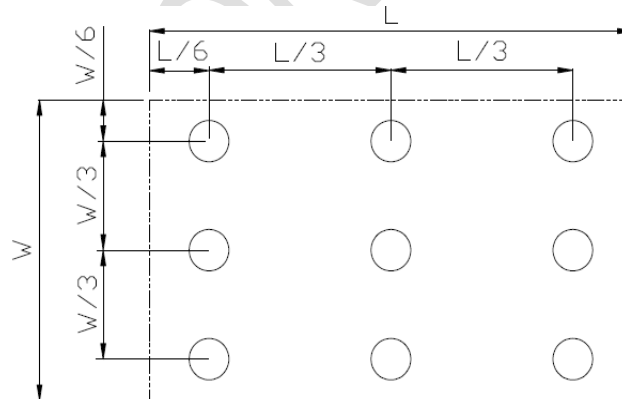
Color coordinates measured at center point of LCD.

Note 6: Definition of Luminance Uniformity

Active area is divided into 9 measuring areas (Refer Fig. 2). Every measuring point is placed at the center of each measuring area.

$$\text{Luminance Uniformity (U)} = L_{\min} / L_{\max}$$

L-----Active area length W----- Active area width



L<sub>max</sub>: The measured Maximum luminance of all measurement position.

L<sub>min</sub>: The measured Minimum luminance of all measurement position.

Note 7: Definition of Luminance:

Measure the luminance of white state at center point.

**7 Environmental / Reliability Test**

No	Test Item	Condition	Remarks
1	High Temperature Operation	Ts=+60°C, 240hrs	IEC60068-2-1:2007 GB2423.2-2008
2	Low Temperature Operation	Ta=-20°C, 240hrs	IEC60068-2-1:2007 GB2423.1-2008
3	High Temperature Storage	Ta=+70°C, 240hrs	IEC60068-2-1:2007 GB2423.2-2008
4	Low Temperature Storage	Ta=-30°C, 240hrs	IEC60068-2-1:2007 GB2423.1-2008
5	Storage at High Temperature and Humidity	+60°C, 90% RH max,240 hours	IEC60068-2-78 :2001 GB/T2423.3—2006
6	Thermal Shock (non-operation)	-30°C 30 min~+70°C 30 min, Change time:5min, 30 Cycle	Start with cold temperature, End with high temperature, IEC60068-2-14:1984,G B2423.22-2002
7	ESD	C=150pF, R=330Ω, 5points/panel Air:±8KV, 5times;Contact:±4KV, 5 times; ( Environment: 15°C~35°C, 30%~ 60%, 86Kpa~106Kpa )	IEC61000-4-2:2001 GB/T17626.2-2006
8	Vibration Test	Frequency range:10~55Hz, Stroke:1.5mm Sweep:10Hz~55Hz~10Hz 2 hours for each direction of X.Y.Z.(package condition)	IEC60068-2-6:1982 GB/T2423.10—1995
9	Mechanical Shock (Non OP)	60G 6ms, ±X,±Y,±Z 3times for each di-rection	IEC60068-2-27:1987 GB/T2423.5—1995
10	Package Drop Test	Height:80 cm, 1 corner, 3 edges, 6 surfaces	IEC60068-2-32:1990 GB/T2423.8—1995

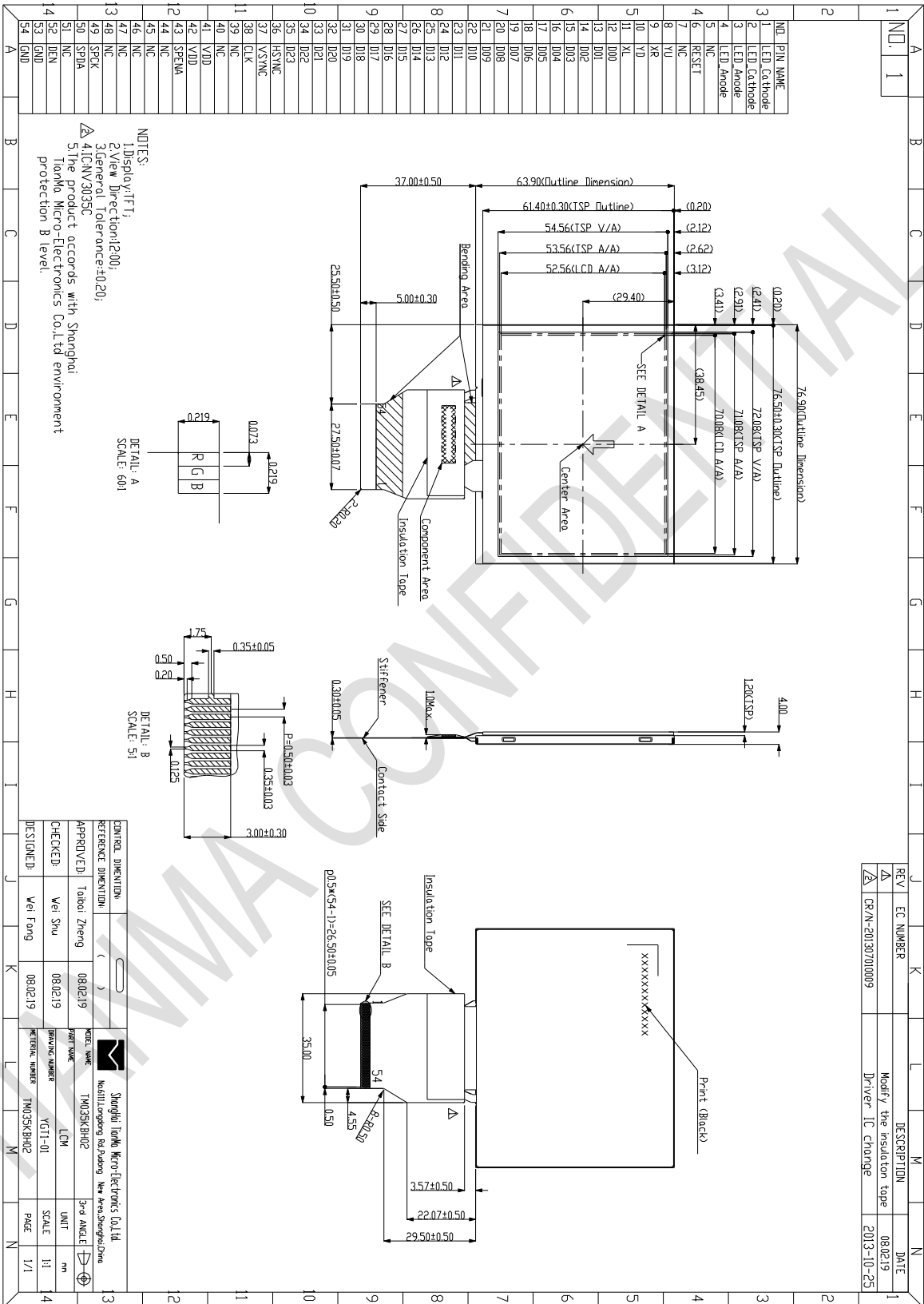
Note1: Ts is the temperature of panel's surface.

Note2: Ta is the ambient temperature of sample.

Note3: Before cosmetic and function test, the product must have enough recovery time, at least 2 hours at room temperature.

Note 4: In the standard condition, there shall be no practical problem that may affect the display function. After the reliability test, the product only guarantees operation, but don't guarantee all of the cosmetic specification.

### 8 Mechanical Drawing

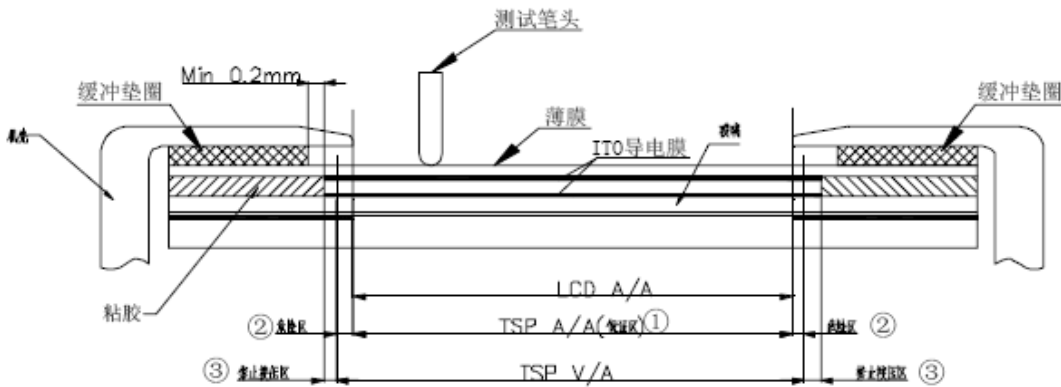


NO.	PIN NAME
1	LED Cathode
2	LED Cathode
3	LED Anode
4	LED Anode
5	NC
6	RESET
7	NC
8	YU
9	YU
10	YU
11	YU
12	YU
13	YU
14	YU
15	YU
16	YU
17	YU
18	YU
19	YU
20	YU
21	YU
22	YU
23	YU
24	YU
25	YU
26	YU
27	YU
28	YU
29	YU
30	YU
31	YU
32	YU
33	YU
34	YU
35	YU
36	YU
37	YU
38	YU
39	YU
40	YU
41	YU
42	YU
43	YU
44	YU
45	YU
46	YU
47	YU
48	YU
49	YU
50	YU
51	YU
52	YU
53	YU
54	YU

NOTES:  
 1)Display:FTT;  
 2)View Direction:200;  
 3)General Tolerance:±0.20;  
 4)IC:NV3035C  
 5)The product accords with Shanghai Tianma Micro-Electronics Co.,Ltd environment Protection B level.

CONTROL DIMENSION	REFERENCE DIMENSION	DATE	DESCRIPTION
APPROVED: Tolbot Zheng	08.02.19	08.02.19	Modify the insulation tape
CHECKED: Wei Shu	08.02.19	08.02.19	Driver IC change
DESIGNED: Wei Fang	08.02.19		

COMPANY	Shanghai Tianma Micro-Electronics Co.,Ltd
ADDRESS	No.111, Longyang Road, Pudong New Area, Shanghai, China
MODEL NAME	TM035KBH02
PROJECT NAME	LCM
BRANCH NUMBER	YG11-01
REFERENCE NUMBER	TM035KBH02
UNIT	mm
SCALE	1:1
PAGE	1/1

**8.1 Mechanical Design Guide**

**8.1.1. Explain:**
**① Active area**

The area which guarantees a touch panel operation normally when pressed.

**② Operation non-guaranteed area**

The area which does not guarantee a touch panel operation and its function. When this area is pressed, touch panel shows degradation of its performance and durability such as a pen sliding durability becomes about one-tenth compared. With the active area (Area-a) as guaranteed area and its operation force requires about double. About 0.5mm~1mm outside form a boundary of the active corresponds to this area.

**③ Pressing prohibition area**

The area which forbids pressing, because an excessive load is applied a transparent electrode and a serious damage is given to touch panel function by pressing.

**④ Non-Active area**

The area which does not activate even if passed.

**8.1.2. The handling of sensitive area:**

(1) The sensitive area is between the edge of the double-side tape and the edge of the active area. Because the double-side tape has a certain height, the more transformative the ITO layer is pressed, the easier it would be to be broken. So it is suggested that pointed tools should be put away from the sensitive area to avoid them touching the sensitive area during operation.

(2) When assembling the touch panel, it would be better to add a protective gasket on the surface of the product before assembling on to the housing. The gasket should be placed on the double-side tape and should not go beyond it.

The information contained herein is the exclusive property of TIANMA MICRO-ELECTRONICS Corporation and shall not be distributed, reproduced, or disclosed in whole or in part without prior written permission of TIANMA MICRO-ELECTRONICS Corporation.



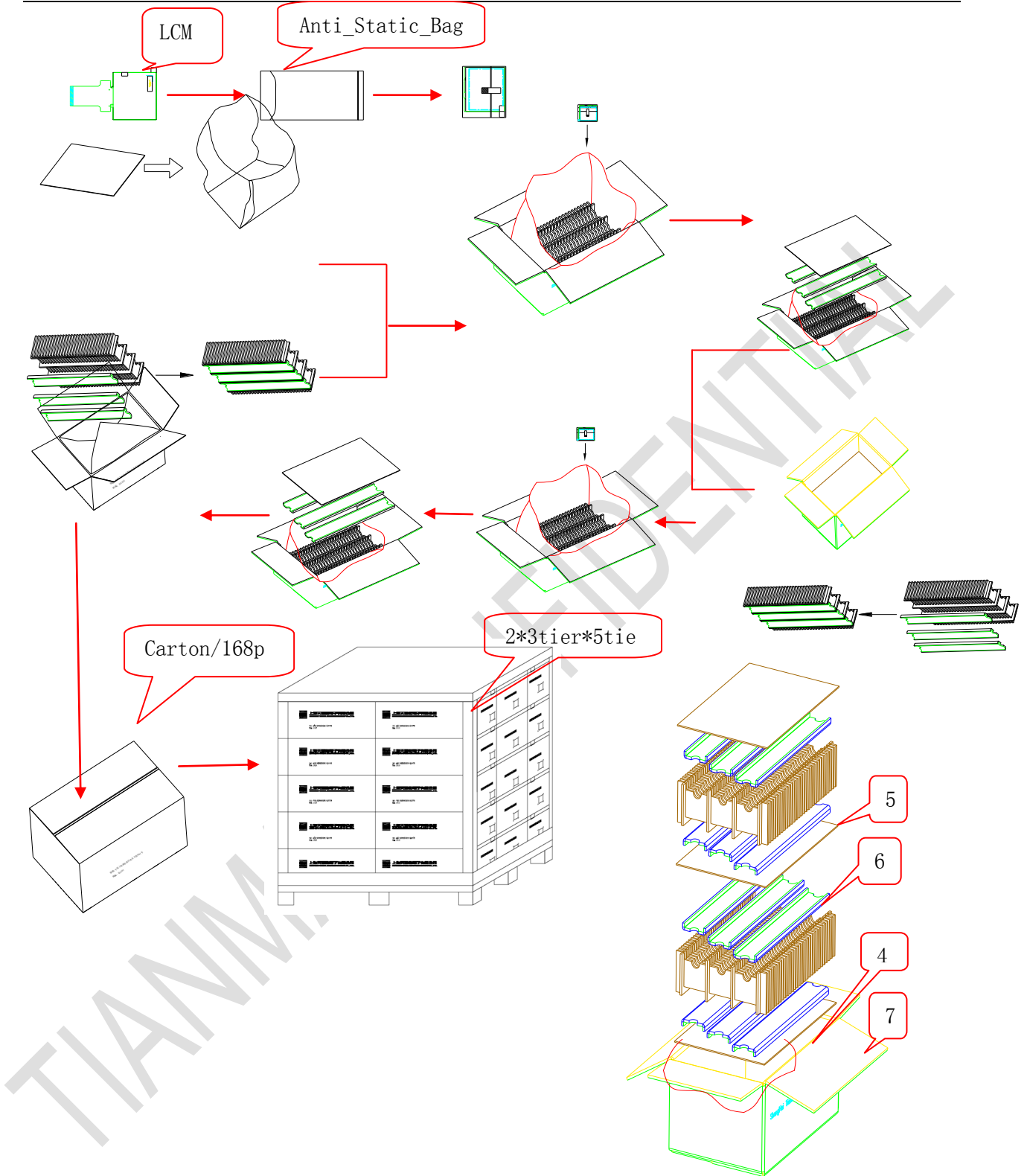
(3) If the housing is designed bigger than the active area, the edge of the sensitive area would be left outside of it. In addition, the protective gasket adds the thickness of this area, so do not use pens or other pointed tools to score along with the screen edge which may cause the damage of the ITO layer. If the panel is drawn with large force, the glass would even be broken.

(4) If the housing is designed smaller than the active area, it can cover the sensitive area completely, in which case the scoring along with screen edge does no harm to the ITO layer. Nevertheless, due to the housing extending into the active area, the thickness of the gasket is very important. If it is too thick, the gap between the housing and the ITO film surface would be too wide which may affect the appearance of the product. If it is too thin, the housing would be pressed on the film surface which may cause short-circuit. The gap between the housing and the film should better be kept between 0.2mm and 0.3mm.

TIANMA CONFIDENTIAL

**9 Packing Drawing**

No	Item	Model (Material)	Dimensions(mm)	Unit Weight(Kg)	Quantity	Remark
1	LCM module	TM035KBH02	76.90 x 63.90 x 4.00	0.04	168	
2	Partition_1	Corrugated Paper	513*333*106	0.782	2	
3.	Anti-Static Bag	PE	155*85*0.05	0.003	168	Anti-static
4	Dust-Proof Bag	PE	-----	0.060	1	
5	Partition_2	Corrugated Paper	505*332*4.00	0.095	3	
6	Corrugated Bar	Corrugated Paper	513*117*4	0.032	12	
7	Carton	Corrugated Paper	530*350*250	1.1000	1	
8	Total weight	10.617±5%				



## **10 Precautions for Use of LCD Modules**

### **10.1 Handling Precautions**

10.1.1 The display panel is made of glass. Do not subject it to a mechanical shock by dropping it from a high place, etc.

10.1.2 If the display panel is damaged and the liquid crystal substance inside it leaks out, be sure not to get any in your mouth, if the substance comes into contact with your skin or clothes, promptly wash it off using soap and water.

10.1.3 Do not apply excessive force to the display surface or the adjoining areas since this may cause the color tone to vary.

10.1.4 The polarizer covering the display surface of the LCD module is soft and easily scratched. Handle this polarizer carefully.

10.1.5 If the display surface is contaminated, breathe on the surface and gently wipe it with a soft dry cloth. If still not completely clear, moisten cloth with one of the following solvents:

- Isopropyl alcohol
- Ethyl alcohol

Solvents other than those mentioned above may damage the polarizer. Especially, do not use the following:

- Water
- Ketone
- Aromatic solvents

10.1.6 Do not attempt to disassemble the LCD Module.

10.1.7 If the logic circuit power is off, do not apply the input signals.

10.1.8 To prevent destruction of the elements by static electricity, be careful to maintain an optimum work environment.

10.1.8.1 Be sure to ground the body when handling the LCD Modules.

10.1.8.2 Tools required for assembly, such as soldering irons, must be properly ground.

10.1.8.3 To reduce the amount of static electricity generated, do not conduct assembly and other work under dry conditions.

10.1.8.4 The LCD Module is coated with a film to protect the display surface. Be care when peeling off this protective film since static electricity may be generated.

### **10.2 Storage precautions**

10.2.1 When storing the LCD modules, avoid exposure to direct sunlight or to the light of fluorescent lamps.

10.2.2 The LCD modules should be stored under the storage temperature range. If the LCD modules will be stored for a long time, the recommend condition is:

Temperature : 0°C ~ 40°C Relatively humidity: ≤80%

10.2.3 The LCD modules should be stored in the room without acid, alkali and harmful gas.

### **10.3 Transportation Precautions**

10.3.1 The LCD modules should be no falling and violent shocking during transportation, and also should avoid excessive press, water, damp and sunshine.