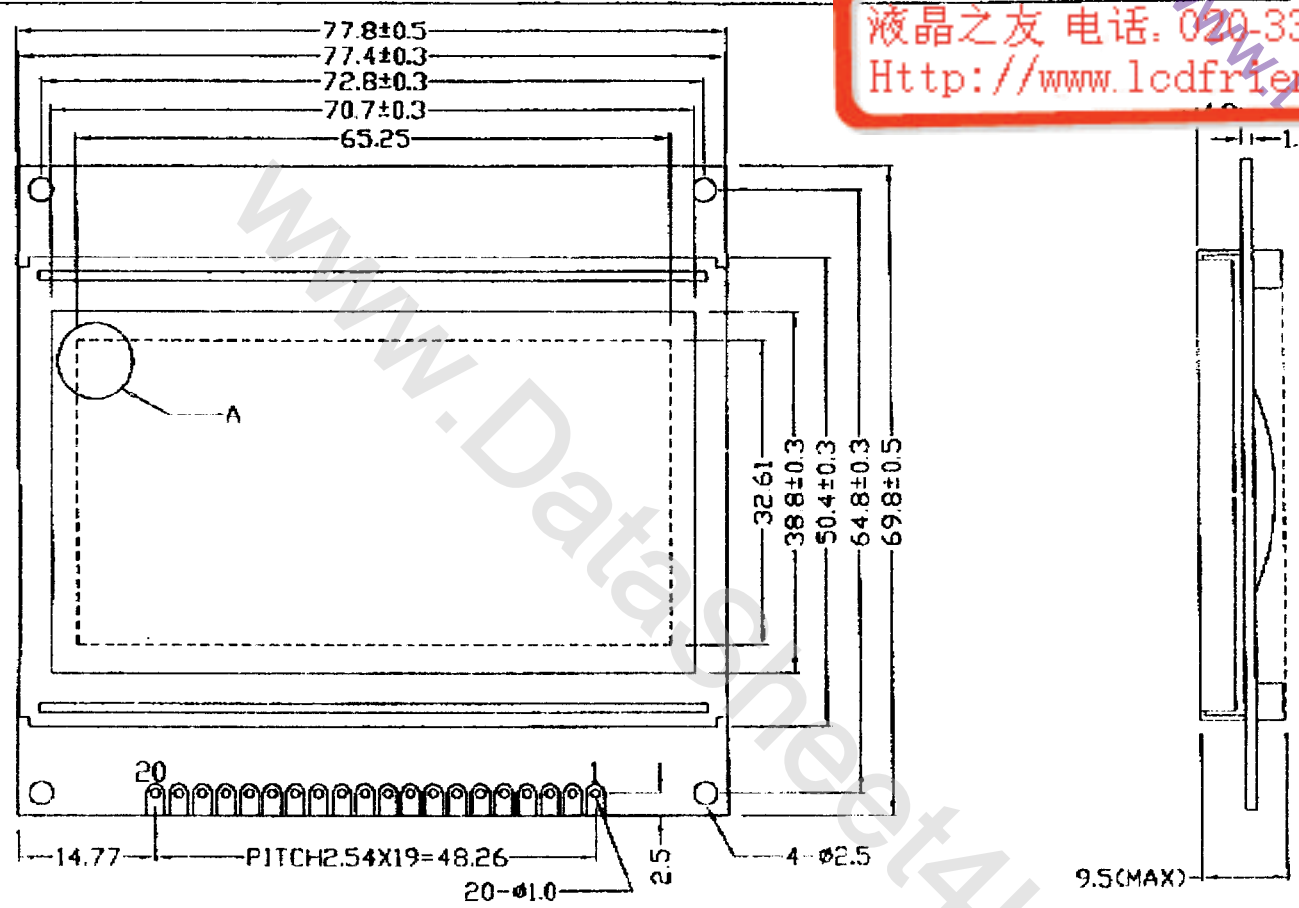
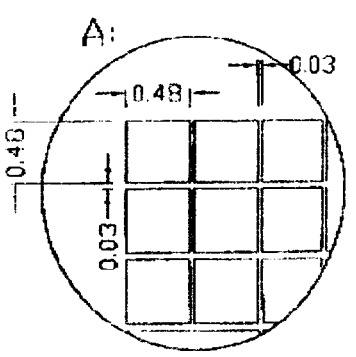




液晶之友 电话: 020-33819057
 Http://www.lcdfriends.com



1	2	3	4	5	6	7	8	9	10	11	12	13	14	15	16	17	18
VSS	VDD	VO	D/I	R/W	E	DB0	DB1	DB2	DB3	DB4	DB5	DB6	DB7	CS1	CS2	RST	Vout



- NOTES:
- 1.DISPLAY TYPE: STN/YELLOW GREEN
 - 2.VIEWING DIRECTION: 6:00
 - 3.POLARIZER MODE: REFLECTIVE/POSITIVE
 - 4.OPERATING TEMP: 0°C~+50°C
 - 5.STORAGE TEMP: -20°C~+60°C
 - 6.LCD OPERATING VOLTAGE: 11V
 - 7.DRIVE METHOD: 1/64 DUTY 1/9 BIAS
 - 8.UNMARKED TOLERATION: ±0.3mm

 TIAN-MA MICROELECTRONICS CO. 6/F., CASTIC Building, Shennan Road, Central, Shenzhen, China		 SCALE UNIT: mm