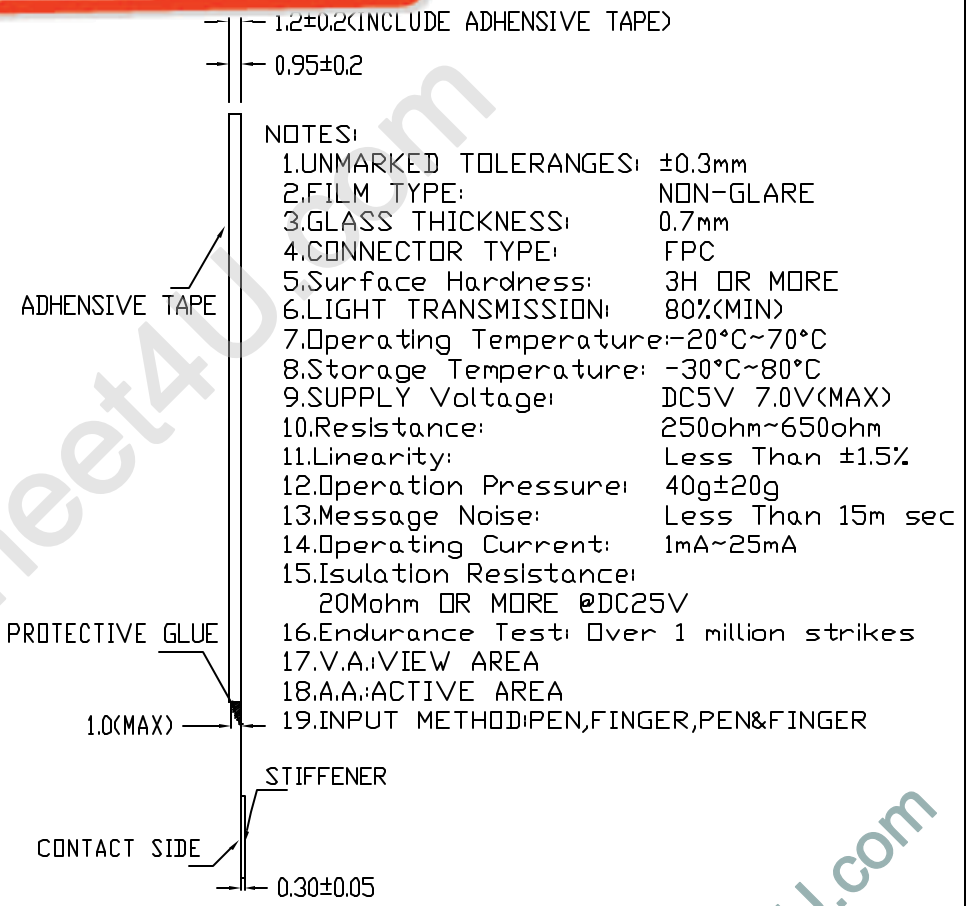
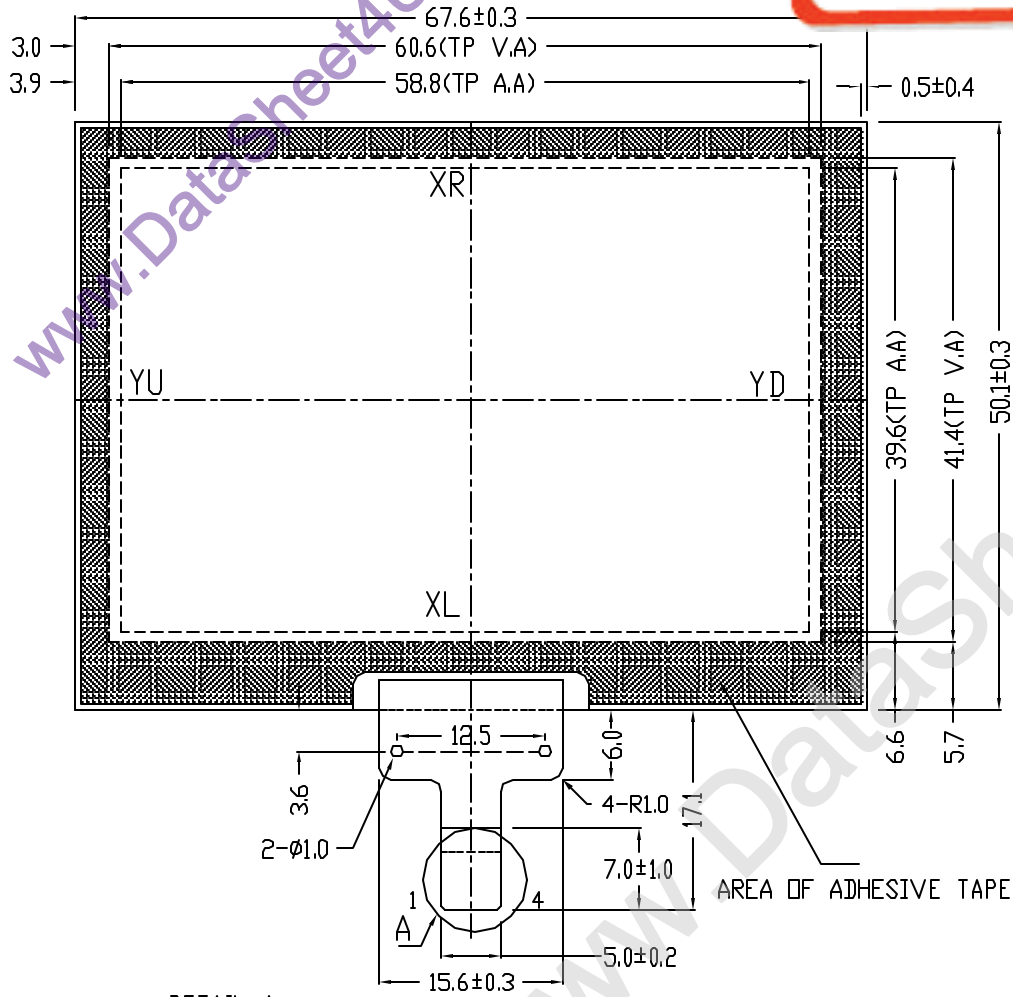


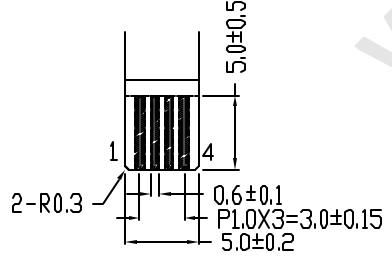
液晶之友 电话: 020-33819057

Http://www.lcdfriends.com




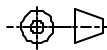
- NOTES:
- 1.UNMARKED TOLERANCES:  $\pm 0.3\text{mm}$
  - 2.FILM TYPE: NON-GLARE
  - 3.GLASS THICKNESS: 0.7mm
  - 4.CONNECTOR TYPE: FPC
  - 5.Surface Hardness: 3H OR MORE
  - 6.LIGHT TRANSMISSION: 80%(MIN)
  - 7.Operating Temperature:  $-20^{\circ}\text{C}\sim 70^{\circ}\text{C}$
  - 8.Storage Temperature:  $-30^{\circ}\text{C}\sim 80^{\circ}\text{C}$
  - 9.SUPPLY Voltage: DC5V 7.0V(MAX)
  - 10.Resistance: 250ohm~650ohm
  - 11.Linearity: Less Than  $\pm 1.5\%$
  - 12.Operation Pressure: 40g $\pm 20\text{g}$
  - 13.Message Noise: Less Than 15m sec
  - 14.Operating Current: 1mA~25mA
  - 15.Isulation Resistance: 20Mohm OR MORE @DC25V
  - 16.Endurance Test: Over 1 million strikes
  - 17.V.A.:VIEW AREA
  - 18.A.A.:ACTIVE AREA
  - 19.INPUT METHOD: PEN, FINGER, PEN&FINGER

DETAIL A:



TOUCH PANEL I/O PORTS

|   |    |                |
|---|----|----------------|
| 1 | YU | GLASS TERMINAL |
| 2 | XL | FILM TERMINAL  |
| 3 | YD | GLASS TERMINAL |
| 4 | XR | FILM TERMINAL  |

|   |                          |   |
|---|--------------------------|---|
|  <b>TIAN-MA MICROELECTRONICS CO.</b><br>22/F., HANGDU Building, Sherman Road, Central, Shenzhen, China |                          |   |
| DRAWN BY:   | TITLE: TM160240AG        |  |
| CHECKED BY:   | DWG NO: TP-3             | SCALE: UNIT: mm   |
| APPROVED BY:  | DWG NAME: TM160240AGTP-3 | SHEET NO: 0F  |