



十速

TM52F5274B/74C/ 78B/78C

DATA SHEET

Rev 0.94

tenx reserves the right to change or discontinue the manual and online documentation to this product herein to improve reliability, function or design without further notice. **tenx** does not assume any liability arising out of the application or use of any product or circuit described herein; neither does it convey any license under its patent rights nor the rights of others. **tenx** products are not designed, intended, or authorized for use in life support appliances, devices, or systems. If Buyer purchases or uses **tenx** products for any such unintended or unauthorized application, Buyer shall indemnify and hold **tenx** and its officers, employees, subsidiaries, affiliates and distributors harmless against all claims, cost, damages, and expenses, and reasonable attorney fees arising out of, directly or indirectly, any claim of personal injury or death associated with such unintended or unauthorized use even if such claim alleges that **tenx** was negligent regarding the design or manufacture of the part.

AMENDMENT HISTORY

| Version | Date | Description |
|---------|-----------|--|
| V0.90 | Jan, 2017 | New release. |
| V0.91 | Mar, 2017 | Add TM52F5274B/78B DC Characteristics |
| V0.92 | Aug, 2017 | <ol style="list-style-type: none">1. FRC accuracy & Temp. curve2. Add Tiny current description3. Modify SPI Block diagram4. Modify TK CLD dis-charge Time5. Other detail |
| V0.93 | Oct, 2017 | Add package SSOP 24 |
| V0.94 | Jun, 2018 | <ol style="list-style-type: none">1. Add package SSOP 28/ QFN 322. Add operating voltage vs. temperature characteristics graphs |

CONTENTS

| | |
|--|-----------|
| AMENDMENT HISTORY | 2 |
| TM52_{Series} F52_{xx} FAMILY | 5 |
| GENERAL DESCRIPTION..... | 6 |
| BLOCK DIAGRAM | 6 |
| FEATURES | 7 |
| PIN ASSIGNMENT | 10 |
| PIN DESCRIPTION | 13 |
| PIN SUMMARY..... | 14 |
| FUNCTIONAL DESCRIPTION | 18 |
| 1. CPU Core | 18 |
| 1.1 Accumulator (ACC) | 18 |
| 1.2 B Register (B)..... | 18 |
| 1.3 Stack Pointer (SP) | 19 |
| 1.4 Dual Data Pointer (DPTRs)..... | 19 |
| 1.5 Program Status Word (PSW) | 20 |
| 2. Memory..... | 21 |
| 2.1 Program Memory | 21 |
| 2.2 Data Memory..... | 24 |
| 3. Power | 26 |
| 4. Reset..... | 28 |
| 4.1 Power on Reset..... | 28 |
| 4.2 External Pin Reset | 28 |
| 4.3 Software Command Reset | 28 |
| 4.4 Watchdog Timer Reset..... | 28 |
| 4.5 Low Voltage Reset | 28 |
| 5. Clock Circuitry and Operation Mode | 30 |
| 5.1 System Clock..... | 30 |
| 5.2 Operation Mode..... | 31 |
| 6. Interrupt and Wake-up | 32 |
| 6.1 Interrupt Enable and Priority Control..... | 32 |
| 6.2 Pin Interrupt..... | 35 |
| 6.3 Idle Mode Wake up and Interrupt | 36 |
| 6.4 Stop Mode Wake up and Interrupt | 36 |
| 7. I/O Ports | 38 |
| 7.1 Port1 & P2.1~P2.0 & P3.6~P3.0 | 38 |
| 7.2 P3.7..... | 46 |

| | | |
|------|---|------------|
| 7.3 | Port0 & P2.5~P2.2..... | 46 |
| 8. | Timers | 49 |
| 8.1 | Timer0/1 | 49 |
| 8.2 | Timer2 | 50 |
| 8.3 | Timer3 | 52 |
| 8.4 | T0O and T2O Output Control | 53 |
| 9. | UART..... | 54 |
| 10. | PWMs | 56 |
| 11. | ADC59 | |
| 11.1 | ADC Channels..... | 60 |
| 11.2 | ADC Conversion Time..... | 60 |
| 12. | Touch Key (F5278 Only)..... | 63 |
| 13. | LCD Controller/Driver..... | 67 |
| 14. | LED Controller/Driver..... | 72 |
| 15. | Serial Peripheral Interface (SPI) | 76 |
| 16. | In Circuit Emulation (ICE) Mode | 81 |
| | SFR & CFGW MAP | 82 |
| | SFR & CFGW DESCRIPTION..... | 84 |
| | INSTRUCTION SET | 96 |
| | ELECTRICAL CHARACTERISTICS | 99 |
| 1. | Absolute Maximum Ratings | 99 |
| 2. | DC Characteristics | 99 |
| 3. | Clock Timing | 102 |
| 4. | Reset Timing Characteristics | 102 |
| 5. | ADC Electrical Characteristics | 102 |
| 6. | Characteristics Graphs | 103 |
| | PACKAGE INFORMATION | 106 |

TM52_{Series} F52xx FAMILY
Common Features

| CPU | MTP/Flash Program Memory | RAM Bytes | Dual Clock | Operation Mode | Timer0 Timer1 Timer2 | UART | Real-time Timer3 | LVD | LVR |
|----------------|---------------------------|-----------|--------------------------|------------------------------|----------------------------|------|------------------|------|----------------------|
| Fast 8051 (2T) | 4K~16K With IAP, ISP, ICP | 256 ~ 512 | SXT SRC FXT FRC | Fast Slow Idle Stop | 8051 Standard | | 15-bit | 2.3V | 1.8V 2.3V 2.9V |

Note: IAP, ISP only for Flash type program memory

Family Members Features

| P/N | Program Memory | RAM Bytes | IO Pin | PWM | SAR ADC | Touch Key | LCD | LED | SPI | Others |
|------------|----------------|-----------|--------|--------------|--------------|-----------|------|------|-----|--------|
| TM52-M5254 | MTP | 256 | 18 | (8+2)-bit x2 | 12-bit 12-ch | – | – | – | – | – |
| TM52-M5258 | 4K Bytes | | | | | 14-ch | | | | |
| TM52-F5264 | Flash | 256 | 22 | (8+2)-bit x2 | 12-bit 12-ch | – | – | – | Yes | – |
| TM52-F5268 | 8K Bytes | | | | | 14-ch | | | | |
| TM52-F5274 | Flash | 512 | 30 | (8+2)-bit x2 | 12-bit 12-ch | – | 4x18 | 4x18 | Yes | – |
| TM52-F5278 | 8K Bytes | | | | | 14-ch | | | | |
| TM52-F5273 | Flash | 768 | 30 | (8+2)-bit x2 | 12-bit 12-ch | – | 4x20 | 8x16 | Yes | – |
| TM52-F5276 | 16K Bytes | | | | | 16-ch | | | | |
| TM52-F5288 | Flash | 512 | 42 | (8+2)-bit x2 | 12-bit 12-ch | – | 8x20 | 8x20 | Yes | – |
| TM52-F5284 | 16K Bytes | | | | | 12-ch | | | | |

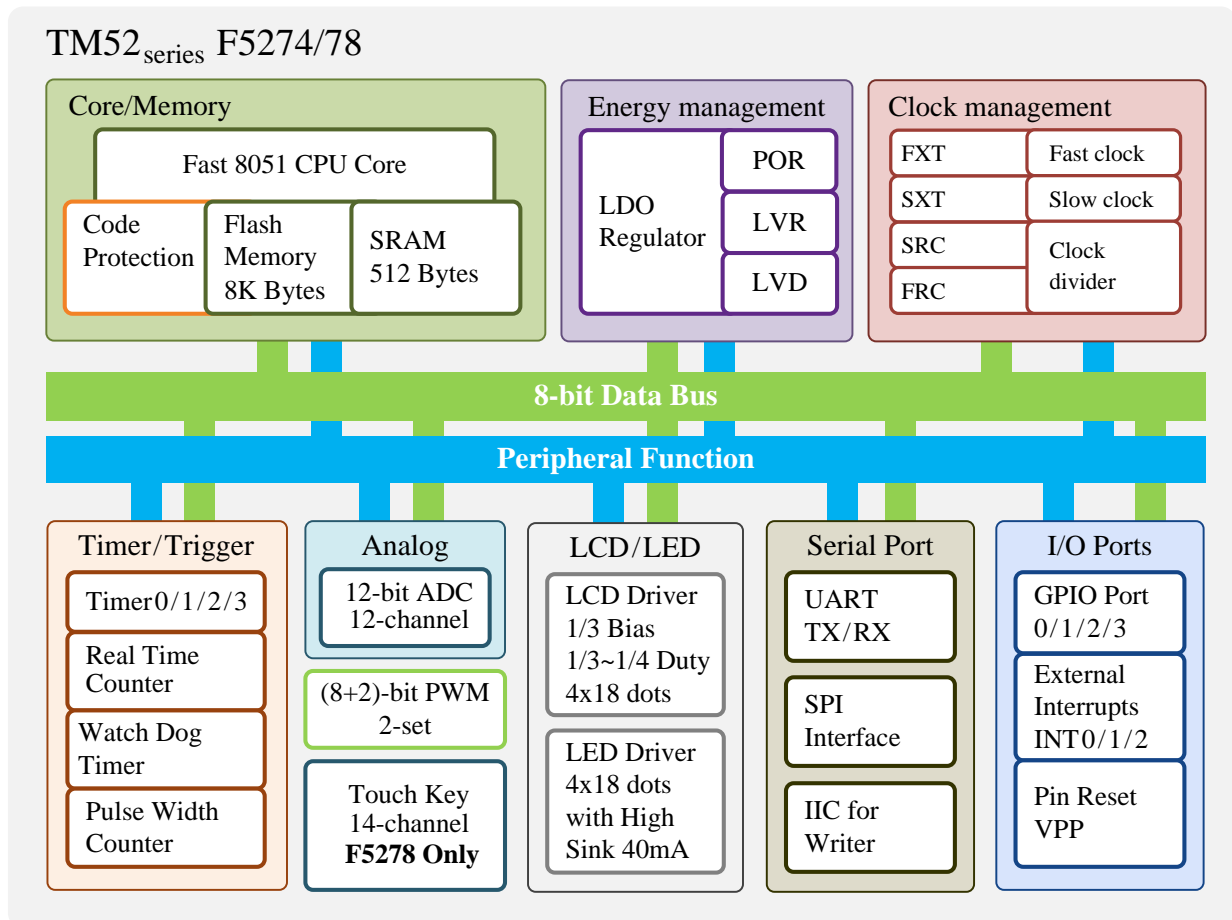
| P/N | Operation Voltage | Operation Current (V _{CC} =3V) MODE3V=1, PWRSAV=1, LVR Disable | | | | Max. System Clock (Hz) | | | |
|-------------|-------------------|--|----------|----------|---------|------------------------|-----|-----|-------|
| | | Fast FRC | Slow SRC | Idle SRC | Stop | SXT | SRC | FXT | FRC |
| TM52-M5254 | 1.9~5.5V | 2.0mA | 21μA | 5.2μA | < 0.1μA | 32K | 80K | 6M | 7.37M |
| TM52-M5258 | | | | | | | | | |
| TM52-F5264C | 2.0~5.5V | 2.5mA | 12μA | 6.0μA | 3μA | 32K | 24K | 8M | 7.37M |
| TM52-F5268C | | | | | | | | | |
| TM52-F5274B | 1.8~5.5V | 2.5mA | 9μA | 3μA | < 0.1μA | 32K | 24K | 8M | 7.37M |
| TM52-F5278B | | | | | | | | | |
| TM52-F5274C | 2.0~5.5V | 2.5mA | 12μA | 6μA | 3μA | 32K | 24K | 8M | 7.37M |
| TM52-F5278C | | | | | | | | | |
| TM52-F5273B | 1.8~5.5V | 2.5mA | 12μA | 6μA | 3μA | 32K | 24K | 10M | 9.83M |
| TM52-F5276B | | | | | | | | | |
| TM52-F5288C | 1.9~5.5V | 2.3mA | 22μA | 4.5μA | < 0.1μA | 32K | 80K | 8M | 7.37M |
| TM52-F5284C | | | | | | | | | |

GENERAL DESCRIPTION

TM52 Series **F5274B/74C/78B/78C** are versions of a new, fast 8051 architecture for an 8-bit microcontroller single chip with an instruction set fully compatible with industry standard 8051, and retains most 8051 peripheral's function block. Typically, the **TM52** executes instructions six times faster than the standard 8051 architecture.

The **TM52-F5274B/74C/78B/78C** provides improved performance, lower cost and fast time-to-market by integrating features on the chip, including 8K Bytes Flash program memory, 512 Bytes SRAM, Low Voltage Reset (LVR), Low Voltage Detector (LVD), dual clock power saving operation mode, SPI Interface, 8051 standard UART and Timer0/1/2, real time clock Timer3, LCD/LED driver, 2 set (8+2)-bit PWMs, 12 channels 12-bit A/D Converter, 14 channels Touch Key (F5278) and Watchdog Timer. Its high reliability and low power consumption feature can be widely applied in consumer and home appliance products.

BLOCK DIAGRAM



FEATURES

1. Standard 8051 Instruction set, fast machine cycle

- Executes instructions six times faster than the standard 8051

2. 8K Bytes Flash Program Memory

- Support “In Circuit Programming” (ICP) or “In System Programming” (ISP) for the Flash code
- Byte Write “In Application Programming” (IAP) mode is convenient as Data EEPROM access
- Code Protection Capability

3. Total 512 Bytes SRAM (IRAM + XRAM)

- 256 Bytes IRAM in the 8051 internal data memory area
- 256 Bytes XRAM in the 8051 external data memory area (accessed by MOVX Instruction)

4. Four System Clock type Selections

- Fast clock from 1~8 MHz Crystal (FXT)
- Fast clock from Internal RC (FRC 7.3728 MHz)
- Slow clock from 32768 Hz Crystal (SXT)
- Slow clock from Internal RC (SRC 24 KHz)
- System clock can be divided by 1/2/4/16 option

5. 8051 Standard Timer – Timer0/1/2

- 16-bit Timer0, also supports T0O clock output for Buzzer application
- 16-bit Timer1
- 16-bit Timer2, also supports T2O clock output for Buzzer application

6. 15-bit Time3

- Clock source is Slow clock
- Interrupt period can be clock divided by 32768/16384/8192/128 option

7. 8051 Standard UART

- One Wire UART option can be used for ISP or other application

8. Two independent "8+2" bits PWMs with prescaler/period-adjustment

9. SPI Interface

- Master or Slave mode selectable
- Programmable transmit bit rate
- Serial clock phase and polarity options
- MSB-first or LSB-first selectable

10. 14-Channel Touch Key (F5278 only)**11. 12-bit ADC with 10 Channels External Pin Input and 2 Channels Internal Reference Voltage****12. LCD Controller/Driver**

- 1/3~1/4 Duty
- Max. 4 COM x 18 SEG
- 1/3 LCD Bias
- 8 Brightness Level selection

13. LED Controller/Driver

- 1/3~1/4 Duty
- Max. 4 COM x 18 SEG
- 40mA High Sink COM
- Active High or Active Low Common Output
- COM Dead Time option

14. 11 Sources, 4-level Priority Interrupt

- Timer0/Timer1/Timer2/Timer3 Interrupt
- INT0/INT1 Falling-Edge/Low-Level Interrupt
- Port1 Pin Change Interrupt
- UART TX/RX Interrupt
- P3.7 (INT2) Interrupt
- ADC/Touch Key Interrupt
- SPI Interrupt

15. Pin Interrupt can Wake up CPU from Power-Down (Stop) mode

- P3.2/P3.3 (INT0/INT1) Interrupt & Wake-up
- P3.7 (INT2) Interrupt & Wake-up
- Each Port1 pin can be defined as Interrupt & Wake-up pin (by pin change)

16. Max. 30 Programmable I/O pins

- CMOS Output
- Pseudo-Open-Drain, or Open-Drain Output
- Schmitt Trigger Input
- Pin Pull-up can be Enable or Disable

17. Independent RC Oscillating Watchdog Timer

- 360ms/180ms/90ms/45ms Selectable WDT Timeout options

18. Five types Reset

- Power on Reset
- Selectable External Pin Reset
- Software Command Reset
- Selectable Watchdog Timer Reset
- Selectable Low Voltage Reset

19. 3-level Low Voltage Reset

- F5274B/78B: 1.8V/2.3V/2.9V (can be disabled)
- F5274C/78C: 2.0V/2.3V/2.9V

20. 1-level Low Voltage Detect

- 2.3V (can be disabled)

21. Four Power Saving Operation Modes

- Fast/Slow/Idle/Stop Mode

22. On-chip Debug/ICE interface

- Use P3.0/P3.1 pin or P2.4/P2.5 pin
- Share with ICP programming pin

23. Operating Voltage and Current

- VCC=2.9V~5.5V @FSYSCLK=7.3728 MHz
- VCC=2.3V~5.5V @FSYSCLK = 3.6864 MHz
- ICC=3μA @Stop mode, MODE3V=0, PWRSV=1, VCC=3V
- ICC=3μA @Stop mode, MODE3V=1, PWRSV=1, VCC=3V

24. Operating Temperature Range

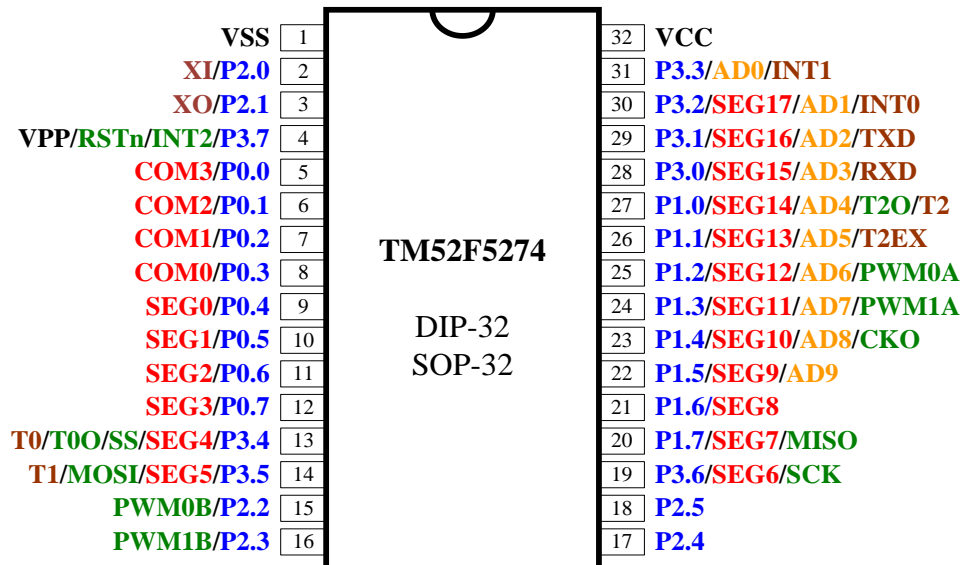
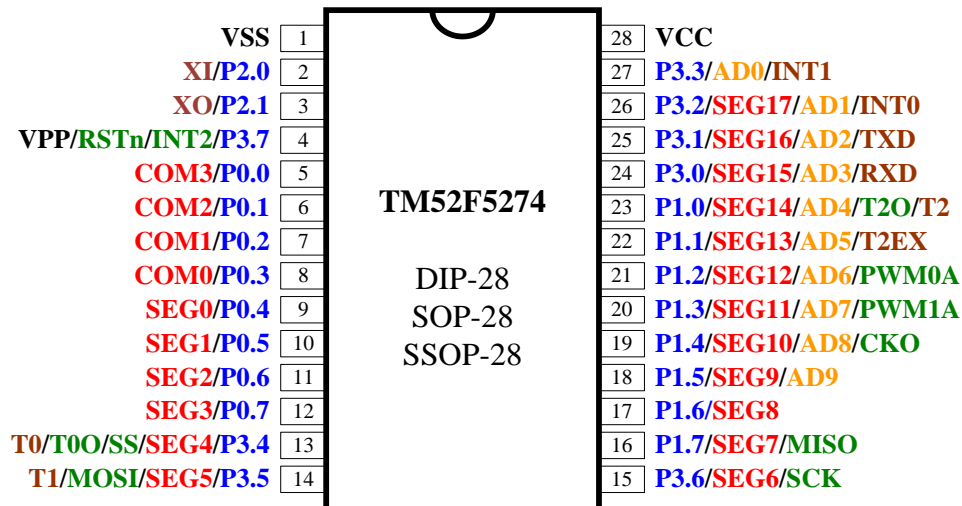
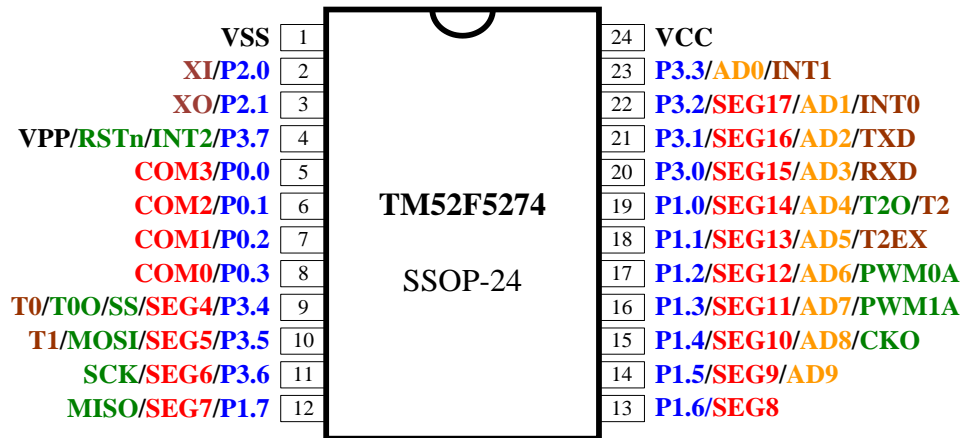
- F5274B/78B: -20°C ~ +70°C
- F5274C/78C: -40°C ~ +85°C

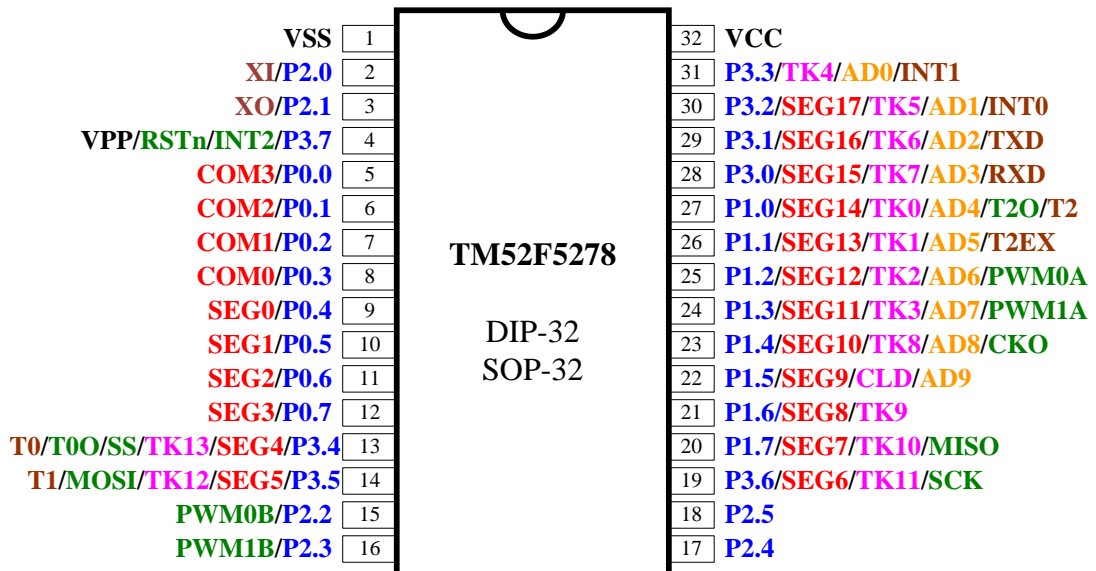
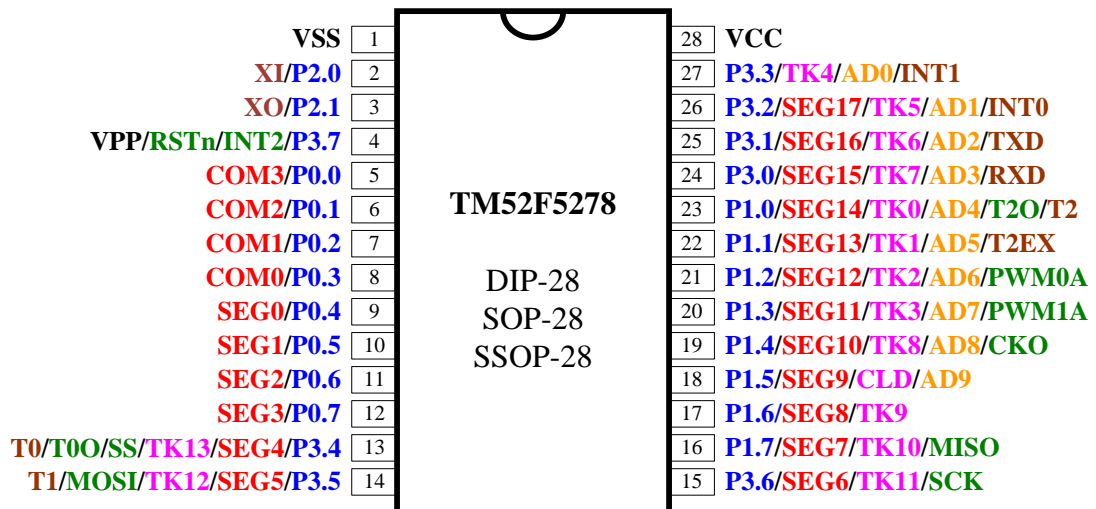
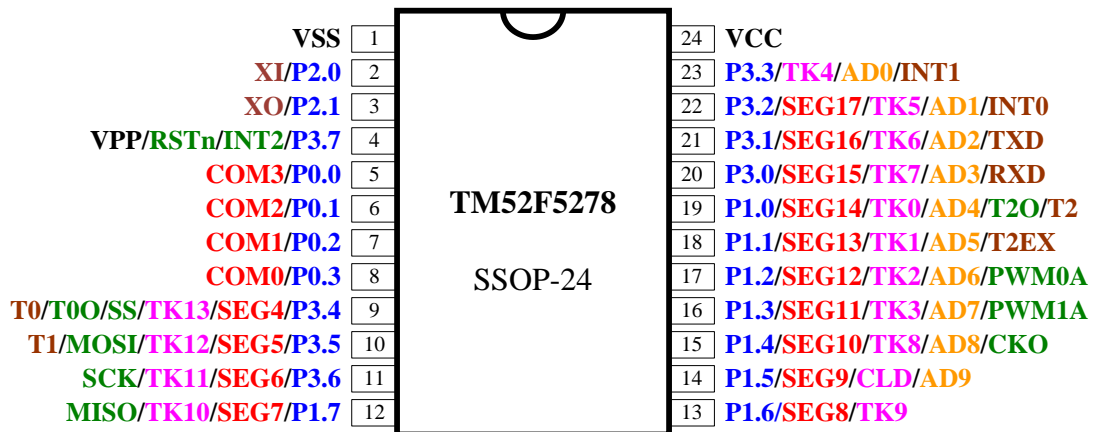
25. Package Types

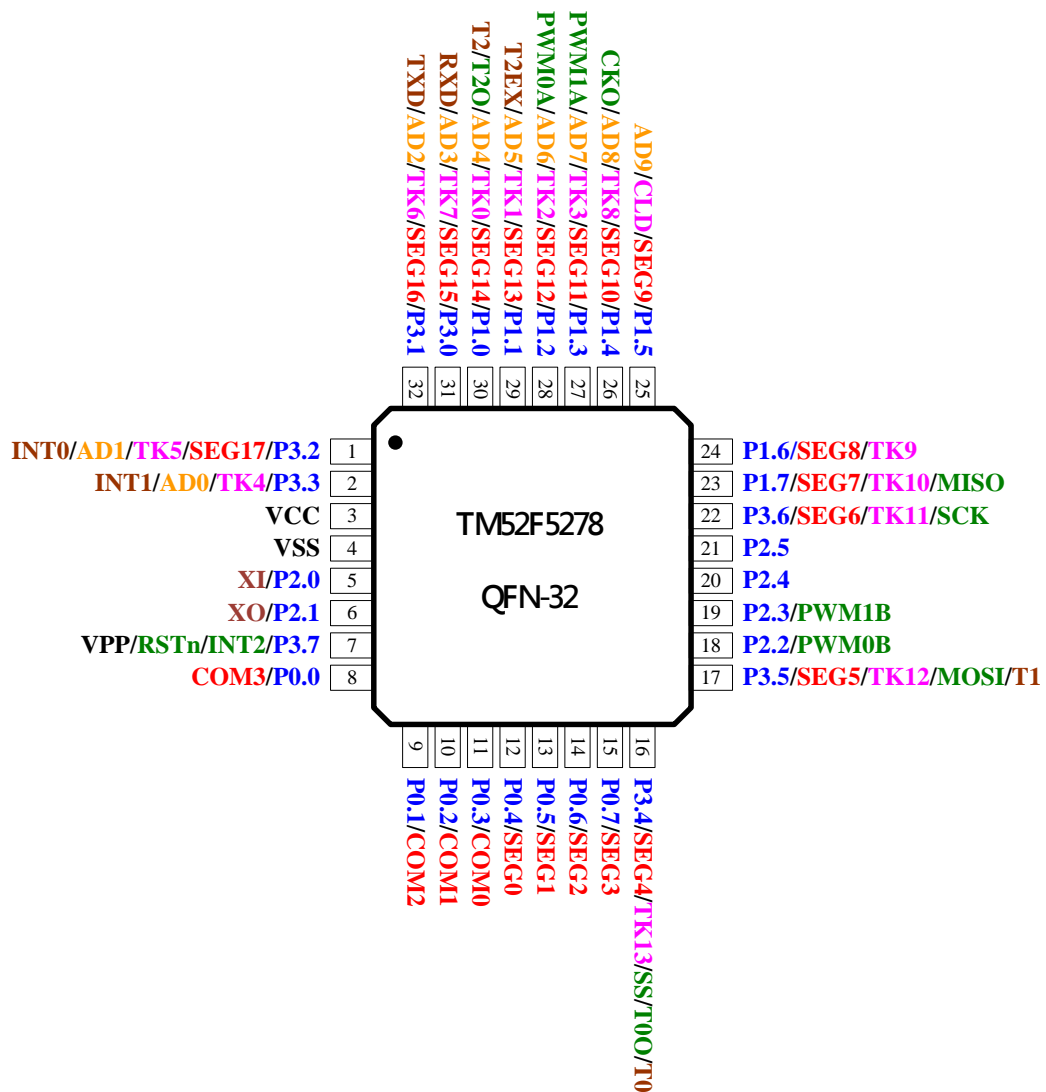
- SSOP 24-pin (209 mil)
- Skinny DIP 28-pin (300 mil)
- SOP 28-pin (300 mil)
- SSOP 28-pin (209 mil)
- DIP 32-pin (600 mil)
- SOP 32-pin (300 mil)
- QFN 32-pin (5x5x0.75-0.5mm)

F5274B/F5274C/F5278B/F5278C Features comparison table

| Features | F5274B | F5278B | F5274C | F5278C |
|-------------------|----------------------------------|--------|----------------|--------|
| Touch Key | n.a. | Yes | n.a. | Yes |
| LVR | 1.8V/2.3V/2.9V (can be disabled) | | 2.0V/2.3V/2.9V | |
| Stop Mode Current | 0.6uA | | 3uA | |

PIN ASSIGNMENT






PIN DESCRIPTION

| Name | In/Out | Pin Description |
|----------------------------------|--------|--|
| P0.0~P0.7 | I/O | Bit-programmable I/O port for Schmitt-trigger input or CMOS push-pull output. Pull-up resistors are assignable by software. |
| P1.0~P1.7 | I/O | Bit-programmable I/O port for Schmitt-trigger input, CMOS push-pull output or “open-drain” output. Pull-up resistors are assignable by software. These pin’s level change can wake up CPU from Idle/Stop mode. |
| P2.0~P2.1 | I/O | Bit-programmable I/O port for Schmitt-trigger input, CMOS push-pull output or “open-drain” output. Pull-up resistors are assignable by software. |
| P2.2~P2.5 | I/O | Bit-programmable I/O port for Schmitt-trigger input or CMOS push-pull output. Pull-up resistors are assignable by software. |
| P3.0~P3.2 | I/O | Bit-programmable I/O port for Schmitt-trigger input, CMOS push-pull output or “pseudo open drain” output. Pull-up resistors are assignable by software. |
| P3.3~P3.6 | I/O | Bit-programmable I/O port for Schmitt-trigger input, CMOS push-pull output or “open-drain” output. Pull-up resistors are assignable by software. |
| P3.7 | I/O | Bit-programmable I/O port for Schmitt-trigger input or “open-drain” output. Pull-up resistor is fix enable. |
| INT0, INT1 | I | External low level or falling edge Interrupt input, Idle/Stop mode wake up input. |
| INT2 | I | External falling edge Interrupt input, Idle/Stop mode wake up input. |
| RXD | I/O | UART Mode0 transmit & receive data, Mode1/2/3 receive data |
| TXD | I/O | UART Mode0 transmit clock, Mode1/2/3 transmit data. In One Wire UART mode, this pin transmits and receives serial data. |
| T0, T1, T2 | I | Timer0, Timer1, Timer2 event count pin input |
| T0O | O | Timer0 overflow divided by 64 output |
| T2O | O | Timer2 overflow divided by 2 output |
| CKO | O | System Clock divided by 2 output |
| T2EX | I | Timer2 external trigger input |
| PWM0A PWM0B PWM1A PWM1B | O | 8+2 bit PWM output |
| AD0~AD9 | I | ADC input |
| TK0~TK13 | I | Touch Key input |
| CLD | I/O | Touch Key charge collection capacitor connection pin |
| SEG0~SEG17 | O | LCD/LED segment output |
| COM0~COM3 | O | LCD/LED common output |
| MISO | I/O | SPI data input for master mode, data output for slave mode |
| MOSI | I/O | SPI data output for master mode, data input for slave mode |
| SS | I | SPI active low slave select input for slave mode |
| SCK | I/O | SPI clock output for master or clock input for slave mode |
| RSTn | I | External active low reset input, Pull-up resistor is fixed enable |
| XI, XO | – | Crystal/Resonator oscillator connection for system clock |
| VPP | I | Flash programming high voltage input |
| VCC, VSS | P | Power input pin and ground |

PIN SUMMARY
TM52F5274

| Pin Number | | | Pin Name | Type | Input | | | Output | | | Alternate Function | | | | | Misc |
|------------|------------|------------|-----------------------|------|-----------------|---------|----------------|--------|--------|------|--------------------|-----|-----|------|-----|---------|
| QFN-32 | DIP/SOP-32 | DIP/SOP-28 | | | Pull-up Control | Wake up | Ext. Interrupt | P.P. | P.O.D. | O.D. | LCD/LED | ADC | SPI | UART | PWM | |
| 4 | 1 | 1 | VSS | P | | | | | | | | | | | | |
| 5 | 2 | 2 | XI/P2.0 | I/O | ● | | | ● | ● | | | | | | | Crystal |
| 6 | 3 | 3 | XO/P2.1 | I/O | ● | | | ● | ● | | | | | | | Crystal |
| 7 | 4 | 4 | VPP/RSTn/INT2/P3.7 | I/O | ⊙ | ● | ● | | ● | | | | | | | Reset |
| 8 | 5 | 5 | COM3/P0.0 | I/O | ⊙ | | | ● | | ● | | | | | | |
| 9 | 6 | 6 | COM2/P0.1 | I/O | ⊙ | | | ● | | ● | | | | | | |
| 10 | 7 | 7 | COM1/P0.2 | I/O | ⊙ | | | ● | | ● | | | | | | |
| 11 | 8 | 8 | COM0/P0.3 | I/O | ⊙ | | | ● | | ● | | | | | | |
| 12 | 9 | 9 | SEG0/P0.4 | I/O | ⊙ | | | ● | | ● | | | | | | |
| 13 | 10 | 10 | SEG1/P0.5 | I/O | ⊙ | | | ● | | ● | | | | | | |
| 14 | 11 | 11 | SEG2/P0.6 | I/O | ⊙ | | | ● | | ● | | | | | | |
| 15 | 12 | 12 | SEG3/P0.7 | I/O | ⊙ | | | ● | | ● | | | | | | |
| 16 | 13 | 13 | T0/T0O/SS/SEG4/P3.4 | I/O | ● | | | ● | ● | ● | | ● | | | ● | |
| 17 | 14 | 14 | T1/MOSI/SEG5/P3.5 | I/O | ● | | | ● | ● | ● | | ● | | | ● | |
| 18 | 15 | | PWM0B/P2.2 | I/O | ⊙ | | | ● | | | | | | ● | | |
| 19 | 16 | | PWM1B/P2.3 | I/O | ⊙ | | | ● | | | | | | ● | | |
| 20 | 17 | | P2.4 | I/O | ⊙ | | | ● | | | | | | | | |
| 21 | 18 | | P2.5 | I/O | ⊙ | | | ● | | | | | | | | |
| 22 | 19 | 15 | SCK/SEG6/P3.6 | I/O | ● | | | ● | ● | ● | | ● | | | | |
| 23 | 20 | 16 | MISO/SEG7/P1.7 | I/O | ● | ● | | ● | ● | ● | | ● | | | | |
| 24 | 21 | 17 | SEG8/P1.6 | I/O | ● | ● | | ● | ● | ● | | | | | | |
| 25 | 22 | 18 | AD9/SEG9/P1.5 | I/O | ● | ● | | ● | ● | ● | ● | | | | | |
| 26 | 23 | 19 | CKO/AD8/SEG10/P1.4 | I/O | ● | ● | | ● | ● | ● | ● | | | | | |
| 27 | 24 | 20 | PWM1A/AD7/SEG11/P1.3 | I/O | ● | ● | | ● | ● | ● | ● | | | ● | | |
| 28 | 25 | 21 | PWM0A/AD6/SEG12/P1.2 | I/O | ● | ● | | ● | ● | ● | ● | | | ● | | |
| 29 | 26 | 22 | T2EX/AD5/SEG13/P1.1 | I/O | ● | ● | | ● | ● | ● | ● | | | | ● | |
| 30 | 27 | 23 | T2/T20/AD4/SEG14/P1.0 | I/O | ● | ● | | ● | ● | ● | ● | | | | ● | |
| 31 | 28 | 24 | RXD/AD3/SEG15/P3.0 | I/O | ● | | | ● | ● | ● | ● | | ● | | | |

| Pin Number | | | Pin Name | Type | Input | | | Output | | | Alternate Function | | | | | Misc |
|------------|------------|------------|---------------------|------|-----------------|---------|----------------|--------|--------|------|--------------------|-----|-----|------|-----|------|
| DIP/SOP-32 | DIP/SOP-32 | DIP/SOP-28 | | | Pull-up Control | Wake up | Ext. Interrupt | P.P. | P.O.D. | O.D. | LCD/LED | ADC | SPI | UART | PWM | |
| 32 | 29 | 25 | TXD/AD2/SEG16/P3.1 | I/O | ● | | | ● | ● | | ● | ● | | ● | | |
| 1 | 30 | 26 | INT0/AD1/SEG17/P3.2 | I/O | ● | ● | ● | ● | ● | | ● | ● | | | | |
| 2 | 31 | 27 | INT1/AD0/P3.3 | I/O | ● | ● | ● | ● | | ● | ● | | | | | |
| 3 | 32 | 28 | VCC | P | | | | | | | | | | | | |

Symbol:

- P.P. = Push-Pull Output
- O.D. = Open Drain
- P.O.D. = Pseudo Open Drain

PS:

1. ⊙ 3.7 Pull up resistor is fix enable
2. ● Port1, P2.0, P2.1, Port3 these pins control Pull up resistor by operation modes
3. ⊙ Port0, P2.2~P2.5 these pins control Pull up resistor while PxOE.n=0 and Px.n=1

TM52F5278

| Pin Number | | | Pin Name | Type | Input | | | Output | | | Alternate Function | | | | | | Misc | |
|------------|------------|------------|---------------------------|------|-----------------|---------|----------------|--------|--------|------|--------------------|-----|-----------|-----|------|-----|---------|-------|
| QFN-32 | DIP/SOP-32 | DIP/SOP-28 | | | Pull-up Control | Wake up | Ext. Interrupt | P.P. | P.O.D. | O.D. | LCD/LED | ADC | Touch-Key | SPI | UART | PWM | | Timer |
| | | | | | | | | | | | | | | | | | | |
| 4 | 1 | 1 | VSS | P | | | | | | | | | | | | | | |
| 5 | 2 | 2 | XI/P2.0 | I/O | ○ | | ● | | ● | | | | | | | | Crystal | |
| 6 | 3 | 3 | XO/P2.1 | I/O | ○ | | ● | | ● | | | | | | | | Crystal | |
| 7 | 4 | 4 | VPP/RSTn/INT2/P3.7 | I/O | ⊙ | ● | ● | | ● | | | | | | | | Reset | |
| 8 | 5 | 5 | COM3/P0.0 | I/O | ⊙ | | ● | | ● | | | | | | | | | |
| 9 | 6 | 6 | COM2/P0.1 | I/O | ⊙ | | ● | | ● | | | | | | | | | |
| 10 | 7 | 7 | COM1/P0.2 | I/O | ⊙ | | ● | | ● | | | | | | | | | |
| 11 | 8 | 8 | COM0/P0.3 | I/O | ⊙ | | ● | | ● | | | | | | | | | |
| 12 | 9 | 9 | SEG0/P0.4 | I/O | ⊙ | | ● | | ● | | | | | | | | | |
| 13 | 10 | 10 | SEG1/P0.5 | I/O | ⊙ | | ● | | ● | | | | | | | | | |
| 14 | 11 | 11 | SEG2/P0.6 | I/O | ⊙ | | ● | | ● | | | | | | | | | |
| 15 | 12 | 12 | SEG3/P0.7 | I/O | ⊙ | | ● | | ● | | | | | | | | | |
| 16 | 13 | 13 | T0/T0O/SS/TK13/SEG4/P3.4 | I/O | ○ | | ● | | ● | ● | | ● | ● | | | ● | | |
| 17 | 14 | 14 | T1/MOSI/TK12/SEG5/P3.5 | I/O | ○ | | ● | | ● | ● | | ● | ● | | | ● | | |
| 18 | 15 | | PWM0B/P2.2 | I/O | ⊙ | | ● | | | | | | | | ● | | | |
| 19 | 16 | | PWM1B/P2.3 | I/O | ⊙ | | ● | | | | | | | | ● | | | |
| 20 | 17 | | P2.4 | I/O | ⊙ | | ● | | | | | | | | | | | |
| 21 | 18 | | P2.5 | I/O | ⊙ | | ● | | | | | | | | | | | |
| 22 | 19 | 15 | SCK/TK11/SEG6/P3.6 | I/O | ○ | | ● | | ● | ● | | ● | ● | | | | | |
| 23 | 20 | 16 | MISO/TK10/SEG7/P1.7 | I/O | ○ | ● | ● | | ● | ● | | ● | ● | | | | | |
| 24 | 21 | 17 | TK9/SEG8/P1.6 | I/O | ○ | ● | ● | | ● | ● | | ● | | | | | | |
| 25 | 22 | 18 | AD9/CLD/SEG9/P1.5 | I/O | ○ | ● | ● | | ● | ● | ● | ● | | | | | | |
| 26 | 23 | 19 | CKO/AD8/TK8/SEG10/P1.4 | I/O | ○ | ● | ● | | ● | ● | ● | ● | | | | | | |
| 27 | 24 | 20 | PWM1A/AD7/TK3/SEG11/P1.3 | I/O | ○ | ● | ● | | ● | ● | ● | ● | | | ● | | | |
| 28 | 25 | 21 | PWM0A/AD6/TK2/SEG12/P1.2 | I/O | ○ | ● | ● | | ● | ● | ● | ● | | | ● | | | |
| 29 | 26 | 22 | T2EX/AD5/TK1/SEG13/P1.1 | I/O | ○ | ● | ● | | ● | ● | ● | ● | | | | ● | | |
| 30 | 27 | 23 | T2/T2O/AD4/TK0/SEG14/P1.0 | I/O | ○ | ● | ● | | ● | ● | ● | ● | | | | ● | | |
| 31 | 28 | 24 | RXD/AD3/TK7/SEG15/P3.0 | I/O | ○ | | ● | ● | | ● | ● | ● | | ● | | | | |

| Pin Number | | | Pin Name | Type | Input | | | Output | | | Alternate Function | | | | | Misc | | |
|------------|------------|------------|-------------------------|------|------------------------|---------|----------------|--------|--------|------|--------------------|-----|-----------|-----|------|------|-----|-------|
| DIP/SOP-32 | DIP/SOP-32 | DIP/SOP-28 | | | Pull-up Control | Wake up | Ext. Interrupt | P.P. | P.O.D. | O.D. | LCD/LED | ADC | Touch-Key | SPI | UART | | PWM | Timer |
| 32 | 29 | 25 | | | TXD/AD2/TK6/SEG16/P3.1 | I/O | ● | | | ● | ● | | ● | ● | ● | | | ● |
| 1 | 30 | 26 | INT0/AD1/TK5/SEG17/P3.2 | I/O | ● | ● | ● | ● | ● | | ● | ● | ● | | | | | |
| 2 | 31 | 27 | INT1/AD0/TK4/P3.3 | I/O | ● | ● | ● | ● | | ● | | ● | ● | | | | | |
| 3 | 32 | 28 | VCC | P | | | | | | | | | | | | | | |

Symbol:

- P.P. = Push-Pull Output
- O.D. = Open Drain
- P.O.D. = Pseudo Open Drain

PS:

1. ⊙ P3.7 Pull up resistor is fix enable
2. ● Port1, P2.0, P2.1, Port3 these pins control Pull up resistor by operation modes
3. ⊙ Port0, P2.2~P2.5 these pins control Pull up resistor while PxOE.n=0 and Px.n=1

FUNCTIONAL DESCRIPTION

1. CPU Core

In the 8051 architecture, the C programming language is used as a development platform. The TM52 device features a fast 8051 core in a highly integrated microcontroller, allowing designers to be able to achieve improved performance compared to a classic 8051 device. TM52 series microcontrollers provide a complete binary code with standard 8051 instruction set compatibility, ensuring an easy migration path to accelerate the development speed of system products. The CPU core includes an ALU, a program status word (PSW), an accumulator (ACC), a B register, a stack point (SP), DPTRs, a program counter, an instruction decoder, and core special function registers (SFRs).

1.1 Accumulator (ACC)

This register provides one of the operands for most ALU operations. Accumulators are generally referred to as A or Acc and sometimes referred to as Register A. In this document, the accumulator is represented as “A” or “ACC” including the instruction table. The accumulator, as its name suggests, is used as a general register to accumulate the intermediate results of a large number of instructions. The accumulator is the most important and frequently used register to complete arithmetic and logical operations. It holds the intermediate results of most arithmetic and logic operations and assists in data transportation.

| SFR E0h | Bit 7 | Bit 6 | Bit 5 | Bit 4 | Bit 3 | Bit 2 | Bit 1 | Bit 0 |
|------------|-------|-------|-------|-------|-------|-------|-------|-------|
| ACC | ACC.7 | ACC.6 | ACC.5 | ACC.4 | ACC.3 | ACC.2 | ACC.1 | ACC.0 |
| R/W | R/W | R/W | R/W | R/W | R/W | R/W | R/W | R/W |
| Reset | 0 | 0 | 0 | 0 | 0 | 0 | 0 | 0 |

E0h.7~0 **ACC:** Accumulator

1.2 B Register (B)

The “B” register is very similar to the ACC and may hold a 1 Byte value. This register provides the second operand for multiply or divide instructions. Otherwise, it may be used as a scratch pad register. The B register is only used by two 8051 instructions, MUL and DIV. When A is to be multiplied or divided by another number, the other number is stored in B. For MUL and DIV instructions, it is necessary that the two operands are in A and B.

ex: DIV AB

When this instruction is executed, data inside A and B are divided, and the answer is stored in A.

| SFR F0h | Bit 7 | Bit 6 | Bit 5 | Bit 4 | Bit 3 | Bit 2 | Bit 1 | Bit 0 |
|----------|-------|-------|-------|-------|-------|-------|-------|-------|
| B | B.7 | B.6 | B.5 | B.4 | B.3 | B.2 | B.1 | B.0 |
| R/W | R/W | R/W | R/W | R/W | R/W | R/W | R/W | R/W |
| Reset | 0 | 0 | 0 | 0 | 0 | 0 | 0 | 0 |

F0h.7~0 **B:** B register

1.3 Stack Pointer (SP)

The SP register contains the Stack Pointer. The Stack Pointer is used to load the program counter into memory during LCALL and ACALL instructions and is used to retrieve the program counter from memory in RET and RETI instructions. The stack may also be saved or loaded using PUSH and POP instructions, which also increment and decrement the Stack Pointer. The Stack Pointer points to the top location of the stack.

| SFR 81h | Bit 7 | Bit 6 | Bit 5 | Bit 4 | Bit 3 | Bit 2 | Bit 1 | Bit 0 |
|-----------|-------|-------|-------|-------|-------|-------|-------|-------|
| SP | SP | | | | | | | |
| R/W | R/W | | | | | | | |
| Reset | 0 | 0 | 0 | 0 | 0 | 1 | 1 | 1 |

81h.7~0 **SP:** Stack Point

1.4 Dual Data Pointer (DPTRs)

TM52 device has two DPTRs, which share the same SFR address. Each DPTR is 16 bits in size and consists of two registers: the DPTR high byte (DPH) and the DPTR low byte (DPL). The DPTR is used for 16-bit-address external memory accesses, for offset code byte fetches, and for offset program jumps. Setting the DPSEL control bit allows the program code to switch between the two physical DPTRs.

| SFR 82h | Bit 7 | Bit 6 | Bit 5 | Bit 4 | Bit 3 | Bit 2 | Bit 1 | Bit 0 |
|------------|-------|-------|-------|-------|-------|-------|-------|-------|
| DPL | DPL | | | | | | | |
| R/W | R/W | | | | | | | |
| Reset | 0 | 0 | 0 | 0 | 0 | 0 | 0 | 0 |

82h.7~0 **DPL:** Data Point low byte

| SFR 83h | Bit 7 | Bit 6 | Bit 5 | Bit 4 | Bit 3 | Bit 2 | Bit 1 | Bit 0 |
|------------|-------|-------|-------|-------|-------|-------|-------|-------|
| DPH | DPH | | | | | | | |
| R/W | R/W | | | | | | | |
| Reset | 0 | 0 | 0 | 0 | 0 | 0 | 0 | 0 |

83h.7~0 **DPH:** Data Point high byte

| SFR F8h | Bit 7 | Bit 6 | Bit 5 | Bit 4 | Bit 3 | Bit 2 | Bit 1 | Bit 0 |
|-------------|--------|---------|-------|-------|---------|-------|-------|-------|
| AUX1 | CLRWDT | CLR3TM3 | TKSOC | ADSOC | CLRPWM0 | – | – | DPSEL |
| R/W | R/W | R/W | R/W | R/W | R/W | – | – | R/W |
| Reset | 0 | 0 | 0 | 0 | 0 | – | – | 0 |

F8h.0 **DPSEL:** Active DPTR Select

1.5 Program Status Word (PSW)

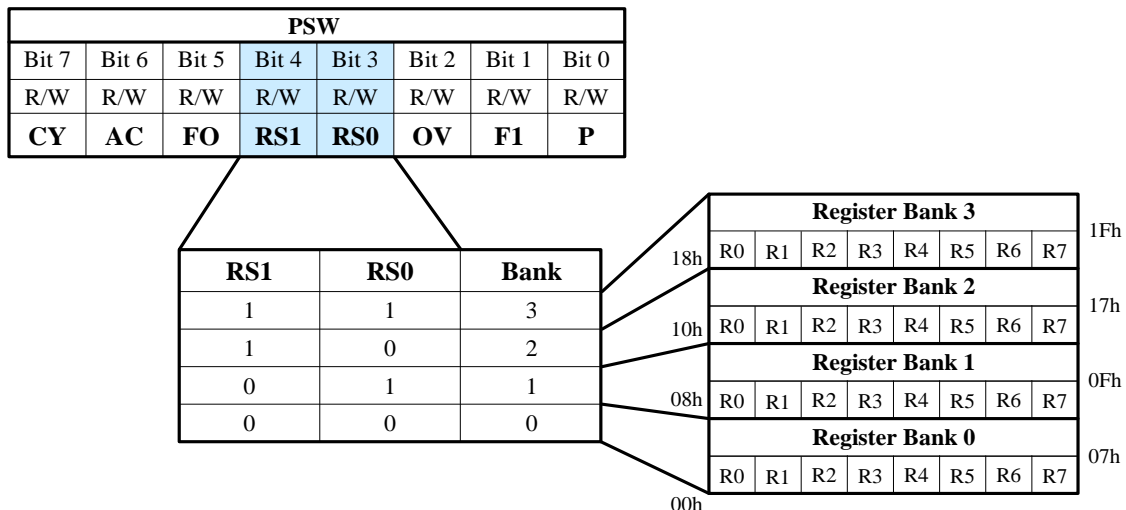
This register contains status information resulting from CPU and ALU operations. The instructions that affect the PSW are listed below.

| Instruction | Flag | | | Instruction | Flag | | |
|-------------|------|----|----|-------------|------|----|----|
| | C | OV | AC | | C | OV | AC |
| ADD | X | X | X | CLR C | 0 | | |
| ADDC | X | X | X | CPL C | X | | |
| SUBB | X | X | X | ANL C, bit | X | | |
| MUL | 0 | X | | ANL C, /bit | X | | |
| DIV | 0 | X | | ORL C, bit | X | | |
| DA | X | | | ORL C, /bit | X | | |
| RRC | X | | | MOV C, bit | X | | |
| RLC | X | | | CJNE | X | | |
| SETB C | 1 | | | | | | |

A “0” means the flag is always cleared, a “1” means the flag is always set and an “X” means that the state of the flag depends on the result of the operation.

| SFR D0h | Bit 7 | Bit 6 | Bit 5 | Bit 4 | Bit 3 | Bit 2 | Bit 1 | Bit 0 |
|------------|-------|-------|-------|-------|-------|-------|-------|-------|
| PSW | CY | AC | F0 | RS1 | RS0 | OV | F1 | P |
| R/W | R/W | R/W | R/W | R/W | R/W | R/W | R/W | R/W |
| Reset | 0 | 0 | 0 | 0 | 0 | 0 | 0 | 0 |

- D0h.7 **CY**: ALU carry flag
- D0h.6 **AC**: ALU auxiliary carry flag
- D0h.5 **F0**: General purpose user-definable flag
- D0h.4~3 **RS1, RS0**: The contents of (RS1, RS0) enable the working register banks as:
 - 00: Bank 0 (00h~07h)
 - 01: Bank 1 (08h~0Fh)
 - 10: Bank 2 (10h~17h)
 - 11: Bank 3 (18h~1Fh)
- D0h.2 **OV**: ALU overflow flag
- D0h.1 **F1**: General purpose user-definable flag
- D0h.0 **P**: Parity flag. Set/cleared by hardware each instruction cycle to indicate odd/even number of “one” bits in the accumulator.



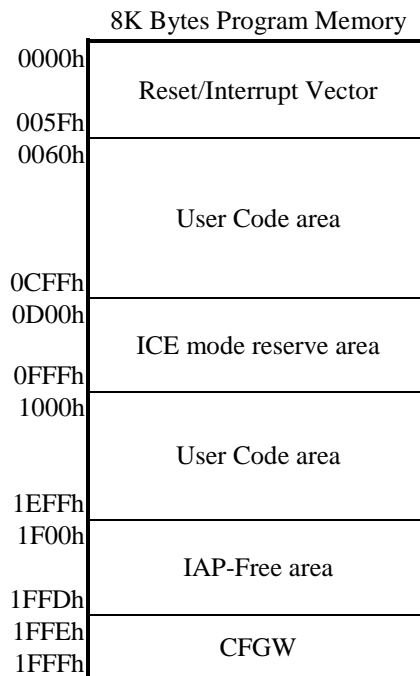
2. Memory

2.1 Program Memory

The Chip has an 8K Bytes Flash program memory, which can support In Circuit Programming (ICP), In Application Programming (IAP) and In System Programming (ISP) function modes. The Flash write endurance is at least 50K cycles. The Flash program memory address continuous space (0000h~1FFFh) is partitioned to several sectors for device operation.

2.1.1 Program Memory Functional Partition

The last 2 bytes (1FFEh~1FFFh) of program memory is defined as chip Configuration Word (CFGW), which is loaded into the device control registers upon power on reset (POR). The address space 1F00h~1FFDh is the IAP free area, while the 0000h~005Fh is occupied by Reset/Interrupt vectors as standard 8051 definition. In the in-circuit emulation (ICE) mode, user also needs to reserve the address space 0D00h~0FFFh for ICE System communication.



2.1.2 Flash ICP Mode

The Flash memory can be programmed by the tenx proprietary writer (**TWR98/TWR99**), which needs at least four wires (VCC, VSS, P3.0 and P3.1 pins) to connect to this chip. To shorten the programming time, it is recommended to connect Writer with an additional fifth wire, which is the VPP (P3.7) pin. If the user wants to program the Flash memory on the target circuit board (In Circuit Programming, ICP), these pins must be reserved sufficient freedom to be connected to the Writer. More pins connected to Writer ensure more writing efficiency and speed. The P3.0 and P3.1 pin's can be replaced by P2.4 and P2.5.

| Writer wire number | Pin connection |
|--------------------|---|
| 4-Wire | VCC, VSS, P3.0, P3.1 |
| 5-Wire | VCC, VSS, P3.0, P3.1, VPP |
| 7-Wire | VCC, VSS, P3.0, P3.1, VPP, P3.3, P1.2 <i>Note:</i> P3.2 output FRC/2 and P3.5 always output Low in this mode |

2.1.3 Flash IAP Mode

The Chip has “In Application Programming” (IAP) capability, which allows software to read/write data from/to the Flash memory during CPU run time as conveniently as data EEPROM access. The IAP function is byte writable, meaning that the Chip does not need to erase one Flash page before write. The available IAP data space is 254 Bytes after chip reset, and can be re-defined by the “MVCLOCK” and “IAPALL” control register as shown below.

| 8K Bytes Flash Program Memory | | Flash Memory | MVCLOCK | IAPALL | MOVC Accessible | MOVX (IAP) Accessible |
|-------------------------------|----------------|--------------|---------|--------|-----------------|-----------------------|
| 0000h | MOVC-Lock area | 0000h~01FFh | 1 | X | No | No |
| 01FFh | | | 0 | 0 | Yes | No |
| 0200h | | | 0 | 1 | Yes | Yes |
| 0200h | IAP-All area | 0200h~1EFFh | X | 0 | Yes | No |
| 1EFFh | | | X | 1 | Yes | Yes |
| 1F00h | IAP-Free area | 1F00h~1FFDh | X | X | Yes | Yes |
| 1FFEh | CFGW area | 1FFEh | X | 0 | Yes | No |
| 1FFFh | | | X | 1 | Yes | Yes |
| 1FFFh | | | X | X | Yes | No |

In IAP mode, the program Flash memory is separated into four sectors: MOVC-Lock area, IAP-All area, IAP-Free area, and CFGW area. These four sectors are regulated differently.

In the **MOVC-Lock area**, IAP read/write is limited by MVCLOCK bit, which can be set to control the accessibility of the MOVC and MOVX instructions to this area. The size of this area is 512 Bytes. The lock function is made to protect the main program code against unconsciously writing Flash memory in IAP mode. Locking or unlocking the function should be performed by the tenx TWR98/99 writing to the CFGW in Flash memory.

The **IAP-All area** is protected by the IAPALL register to prevent IAP mode from writing application data to the program area, resulting in a program code error that cannot be repaired. The size of this area is 7424 Bytes. Enabling IAPALL requires writing 65h to SFR SWCMD 97h to set the IAPALL control flag. Then, software can use MOVX instructions to write application data to flash memory from 0200h to 1EFFh. If user wants to disable IAPALL function, user can write other values to SFR SWCMD 97h to clear the IAPALL control flag. User must be careful not to overwrite program code which is already resided on the same Flash memory area.

The **IAP-Free area** has no control bit to protect. It can be used to reliably store system application data that needs to be programmed once or periodically during system operation. Other areas of Flash memory can be used to store data, but this area is usually the best. The size of this area is 254 Bytes, equivalent to an EEPROM, and Flash memory can provide byte access to read and write commands. In the past, storage of configuration data required an additional EEPROM or the other storage device. However, this functionality can now be provided by on-chip Flash, reducing the chip count of embedded applications. An external EEPROM or SRAM may not be needed.

The **CFGW area** has 2 data bytes (CFGWH and CFGWL), which is located at the last 2 addresses of Flash memory. The CFGWH is not accessible to IAP, while the CFGWL can be read or written by IAP in case the IAPALL flag is set. CFGWL is copied to the SFR F7h after power on reset, software then take over CFGWL’s control capability by modifying the SFR F7h.

2.1.4 IAP Mode Access Routines

Flash IAP write is simply achieved by a “MOVX @DPTR, A” instruction while the DPTR contains the target Flash address (0000h~1FFEh), and the ACC contains the data being written. The Chip accepts IAP Write command only when the IAPWE SFR is enabled. Flash IAP writing requires approximately 500μs. Meanwhile, the CPU stays in a waiting state, but all peripheral modules (Timers, LCD, and others) continue running during the writing time. The software must handle the pending interrupts after an IAP write. Flash IAP writing needs higher V_{CC} voltage, V_{CC}>2.8V.

Because the Program memory and the IAP data space share the same entity, a Flash IAP read can be performed by the “MOVX A, @DPTR” or “MOVC” instruction as long as the target address points to the 0000h~1FFFh area. A Flash IAP read does not require extra CPU wait time.

; IAP example code ; need V_{CC}>2.8V

```

MOV    DPTR, #1F00h      ; DPTR=1F00h=target IAP address
MOV    A, #5Ah          ; A=5Ah=target IAP write data
MOV    INTE1, #A0h     ; IAPWE=1
MOVX   @DPTR, A        ; Flash [1F00h] =5Ah, after IAP write
                          ; 200μs~500μs H/W writing time, CPU wait

MOV    INTE1, #00h     ; IAPWE=0 immediately after IAP write
CLR    A               ; A=0
MOVX   A, @DPTR        ; A=5Ah
CLR    A               ; A=0
MOVC  A, @A+DPTR       ; A=5Ah
    
```

| Flash 1FFFh | Bit 7 | Bit 6 | Bit 5 | Bit 4 | Bit 3 | Bit 2 | Bit 1 | Bit 0 |
|--------------|-------|-------|-------|-------|--------|---------|---------|-------|
| CFGWH | PROT | XRSTE | LVRE | | VCCFLT | PWRSVAV | MVCLOCK | - |

1FFFh.1 **MVCLOCK**: If 1, the MOVC & MOVX instruction’s accessibility to MOVC-Lock area is limited.

| SFR 97h | Bit 7 | Bit 6 | Bit 5 | Bit 4 | Bit 3 | Bit 2 | Bit 1 | Bit 0 |
|--------------|--------------|-------|-------|-------|-------|-------|-------|-------|
| SWCMD | IAPALL/SWRST | | | | | | | |
| R/W | W | | | | | | | R/W |
| Reset | - | | | | | | | 0 |

97h.7~0 **IAPALL (W)** : Write 65h to set IAPALL control flag; Write other value to clear IAPALL flag. It is recommended to clear it immediately after IAP access.

97h.0 **IAPALL (R)** : Flag indicates Flash memory sectors can be accessed by IAP or not. This bit combines with MVCLOCK to define the accessible IAP area.

| SFR A9h | Bit 7 | Bit 6 | Bit 5 | Bit 4 | Bit 3 | Bit 2 | Bit 1 | Bit 0 |
|--------------|-------|-------|-------|-------|-------|-------|-------|-------|
| INTE1 | IAPWE | | | SPIE | TKIE | EX2 | PIIE | TM3IE |
| R/W | R/W | | | R/W | R/W | R/W | R/W | R/W |
| Reset | 0 | 0 | 0 | 0 | 0 | 0 | 0 | 0 |

A9h.7~5 **IAPWE**: IAP write enable control

101: Enable IAP write. It is recommended to clear it immediately after IAP write.

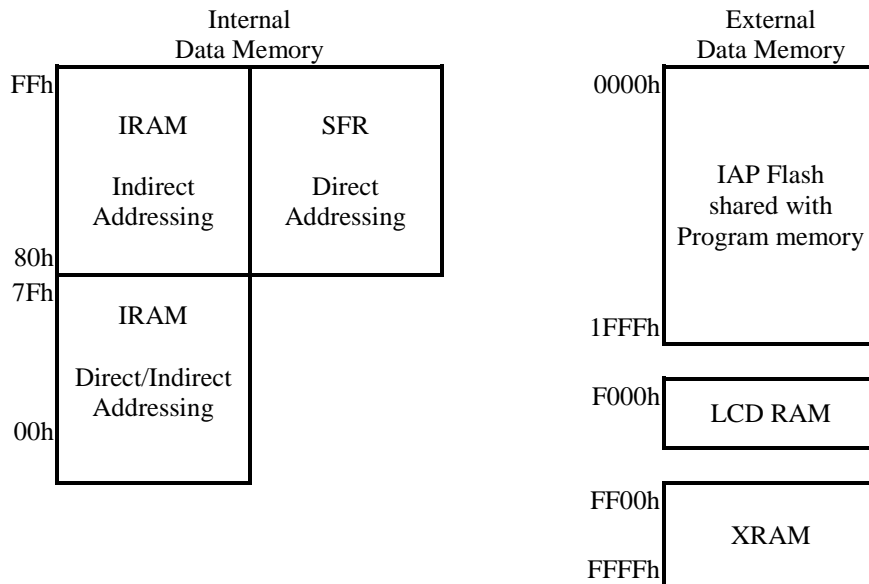
Others value: Disable IAP write.

2.1.5 Flash ISP Mode

The “In System Programming” (ISP) usage is similar to IAP, except the purpose is to refresh the Program code. User can use UART/SPI or other method to get new Program code from external host, then writes code as the same way as IAP. ISP operation is complicated; basically it needs to assign a Boot code area to the Flash which does not change during the ISP process.

2.2 Data Memory

As the standard 8051, the Chip has both Internal and External Data Memory space. The Internal Data Memory space consists of 256 Bytes IRAM and 67 SFRs, which are accessible through a rich instruction set. The External Data Memory space consists of 256 Bytes XRAM, LCDRAM and IAP Flash, which can be only accessed by MOVX instruction.



2.2.1 IRAM

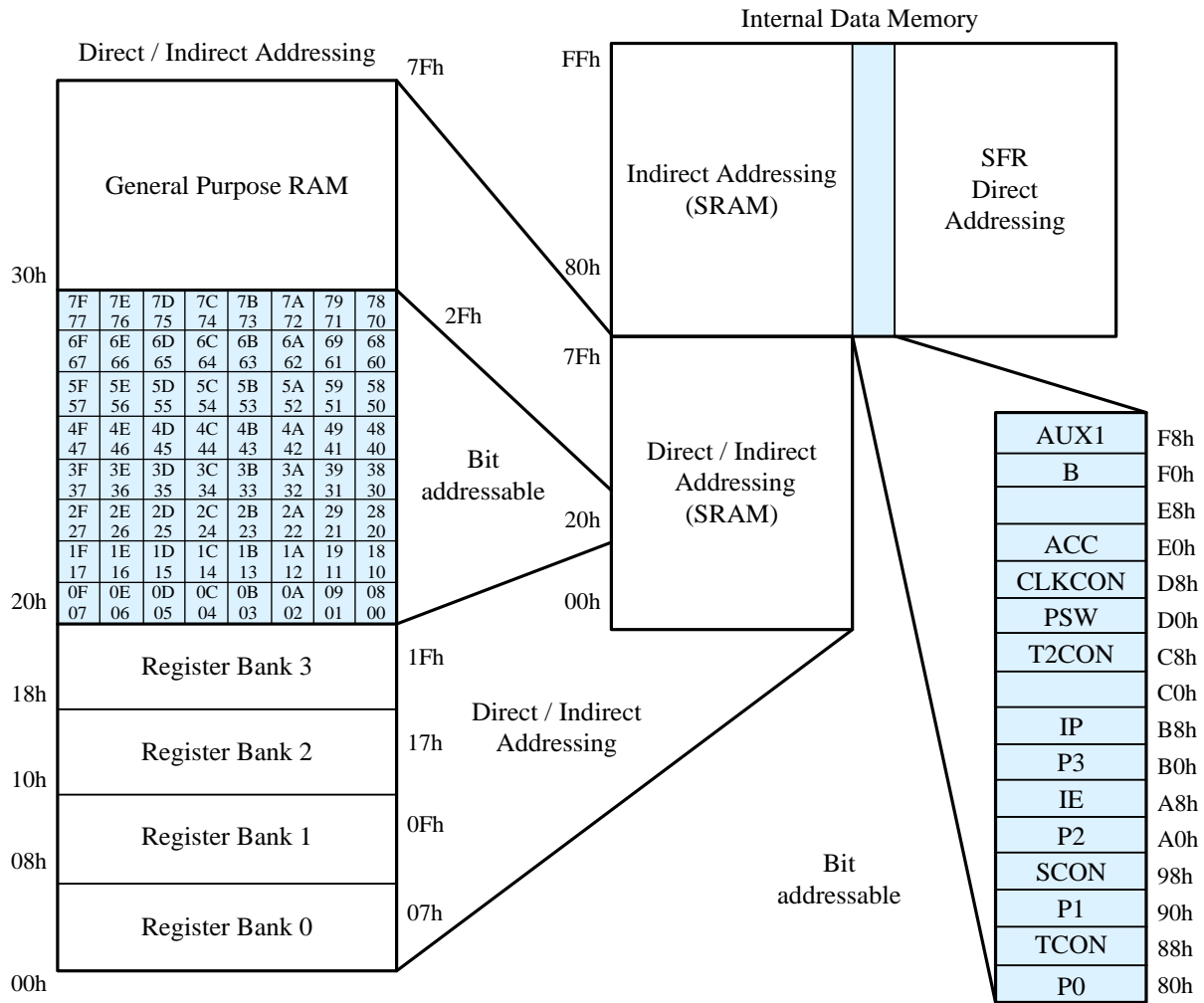
IRAM is located in the 8051 internal data memory space. The whole 256 Bytes IRAM are accessible using indirect addressing but only the lower 128 Bytes are accessible using direct addressing. There are four directly addressable register banks (switching by PSW), which occupy IRAM space from 00h to 1Fh. The address 20h to 2Fh 16 Bytes IRAM space is bit-addressable. IRAM can be used as scratch pad registers or program stack.

2.2.2 XRAM

XRAM is located in the 8051 external data memory space (address from FF00h to FFFFh). The 256 Bytes XRAM can be only accessed by “MOVX” instruction.

2.2.3 SFRs

All peripheral functional modules such as I/O ports, Timers and UART operations for the chip are accessed via Special Function Registers (SFRs). These registers occupy upper 128 Bytes of direct Data Memory space locations in the range 80h to FFh. There are 14 bit-addressable SFRs (which means that eight individual bits inside a single byte are addressable), such as ACC, B register, PSW, TCON, SCON, and others. The remaining SFRs are only byte addressable. SFRs provide control and data exchange with the resources and peripherals of the Chip. The TM52 series of microcontrollers provides complete binary code with standard 8051 instruction set compatibility. Beside the standard 8051 SFRs, the Chip implements additional SFRs used to configure and access subsystems such as the SPI/LCD, which are unique to the Chip.



| | 8/0 | 9/1 | A/2 | B/3 | C/4 | D/5 | E/6 | F/7 |
|-----|--------|--------|---------|---------|---------|--------|--------|--------|
| F8h | AUX1 | | | | | | | |
| F0h | B | | | | | | | CFGWL |
| E8h | | | | | | | | |
| E0h | ACC | | | | | | | |
| D8h | CLKCON | | | | | | | |
| D0h | PSW | | | | | | | |
| C8h | T2CON | | RCP2L | RCP2H | TL2 | TH2 | | |
| C0h | | | ATKC10H | ATKC32H | ATKC0L | ATKC1L | ATKC2L | ATKC3L |
| B8h | IP | IPH | IP1 | IP1H | SPCON | SPSTA | SPDAT | |
| B0h | P3 | LCDCON | LCDCON2 | LCDPIN | | | | |
| A8h | IE | INTE1 | ADTKDT | ADCDH | TKDL | TKCON | CHSEL | TKCON2 |
| A0h | P2 | PWMCON | P1MODL | P1MODH | P3MODL | P3MODH | PINMOD | |
| 98h | SCON | SBUF | PWM0PRD | PWM0DH | PWM1PRD | PWM1DH | | |
| 90h | P1 | P0OE | | P2MOD | OPTION | INTFLG | P1WKUP | SWCMD |
| 88h | TCON | TMOD | TL0 | TL1 | TH0 | TH1 | | |
| 80h | P0 | SP | DPL | DPH | | | | PCON |

3. Power

The Chip has a built-in internal low dropout regulator. When MODE3V=0, the voltage regulator outputs 3.3V power to the internal chip circuit. When MODE3V=1, the LDO is turned off, and the internal circuit receives a power supply directly from the VCC pin. Because the LDO consumes 150µA for operation, turning off LDO by setting MODE3V=1 can reduce the Chip current consumption. However, setting MODE3V=1 is only valid for an operating condition of $V_{CC} < 3.6V$. The PWRSV also control the LDO. When MODE3V=0 and PWRSV=1, the LDO is turned off in Stop mode for saving power consumption. In addition, set PWRSV will affect the LVR/LVD setting.

MODE3V=0

| Operation Mode | CFGW | | Tiny Current | LDO | LVR | LVD | Function |
|----------------------|-------|------|--------------|-----|-----|-----|-----------------------|
| | PWRSV | LVRE | | | | | |
| Fast Slow Idle | X | 00 | – | ON | ON | – | LV Reset 2.9V |
| | X | 01 | – | ON | ON | – | LV Reset 2.3V |
| | X | 10 | – | ON | ON | ON | LV Reset Disable/2.0V |
| | X | 11 | – | ON | ON | ON | LV Reset 1.8V/2.0V |
| Stop | 0 | 00 | – | ON | ON | – | LV Reset 2.9V |
| | 0 | 01 | – | ON | ON | – | LV Reset 2.3V |
| | 0 | 10 | – | ON | ON | – | LV Reset Disable/2.0V |
| | 0 | 11 | – | ON | ON | – | LV Reset 1.8V/2.0V |
| | 1 | 00 | Y | OFF | ON | – | LV Reset 1.8V/2.0V |
| | 1 | 01 | Y | OFF | ON | – | LV Reset 1.8V/2.0V |
| | 1 | 10 | Y | OFF | ON | – | LV Reset Disable/2.0V |
| | 1 | 11 | Y | OFF | ON | – | LV Reset 1.8V/2.0V |

MODE3V=1

| Operation Mode | CFGW | | Tiny Current | LDO | LVR | LVD | Function |
|----------------------|-------|------|--------------|-----|-----|-----|-----------------------|
| | PWRSV | LVRE | | | | | |
| Fast Slow Idle | 0 | 00 | – | OFF | ON | – | LV Reset 2.9V |
| | 0 | 01 | – | OFF | ON | – | LV Reset 2.3V |
| | 0 | 10 | – | OFF | ON | ON | LV Reset Disable/2.0V |
| | 0 | 11 | – | OFF | ON | ON | LV Reset 1.8V/2.0V |
| | 1 | 00 | Slow, Idle | OFF | ON | – | LV Reset 1.8V/2.0V |
| | 1 | 01 | Slow, Idle | OFF | ON | – | LV Reset 1.8V/2.0V |
| | 1 | 10 | Slow, Idle | OFF | ON | – | LV Reset Disable/2.0V |
| | 1 | 11 | Slow, Idle | OFF | ON | – | LV Reset 1.8V/2.0V |
| Stop | 0 | 00 | – | OFF | ON | – | LV Reset 2.9V |
| | 0 | 01 | – | OFF | ON | – | LV Reset 2.3V |
| | 0 | 10 | – | OFF | ON | – | LV Reset Disable/2.0V |
| | 0 | 11 | Y | OFF | ON | – | LV Reset 1.8V/2.0V |
| | 1 | 00 | Y | OFF | ON | – | LV Reset 1.8V/2.0V |
| | 1 | 01 | Y | OFF | ON | – | LV Reset 1.8V/2.0V |
| | 1 | 10 | Y | OFF | ON | – | LV Reset Disable/2.0V |
| | 1 | 11 | Y | OFF | ON | – | LV Reset 1.8V/2.0V |

Note: Typical Tiny current of F5274B/78B are Slow=13uA, Idle=5uA and Stop=1uA @VCC=3V, 32KHz

Typical Tiny current of F5274C/78C are Slow=16uA, Idle=8uA and Stop=3uA @VCC=3V, 32KHz

Note: FW must turn off Bandgap to obtain Tiny Current (ADCHS ≠ 0b1011)

| | | | | | | | | |
|--------------------|-------|-------|-------|-------|--------|--------|---------|-------|
| Flash 1FFFh | Bit 7 | Bit 6 | Bit 5 | Bit 4 | Bit 3 | Bit 2 | Bit 1 | Bit 0 |
| CFGWH | PROT | XRSTE | LVRE | | VCCFLT | PWRSAV | MVCLOCK | - |

1FFFh.3 **VCCFLT:** Set 1 to enhance the Chip's power noise immunity

1FFFh.2 **PWRSAV:** Power saving function control bit

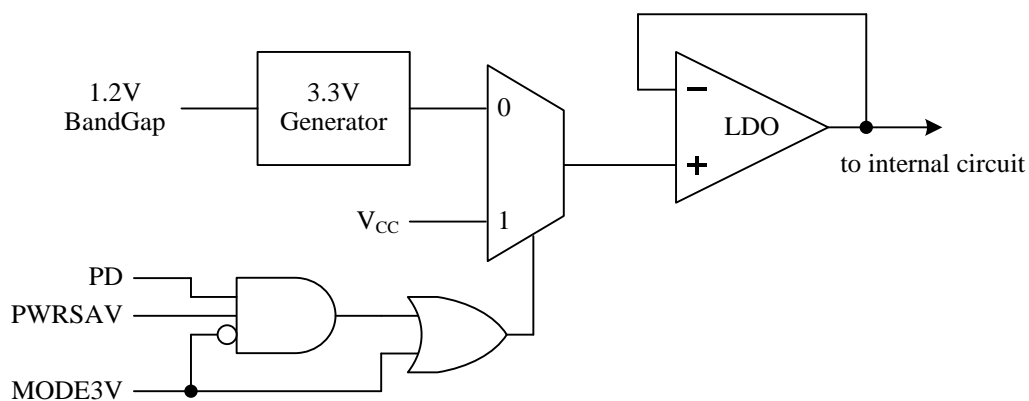
0: Disable Power saving function

1: Enable Power saving function

| | | | | | | | | |
|----------------|--------|--------|--------|-------|-------|-------|--------|-------|
| SFR 94h | Bit 7 | Bit 6 | Bit 5 | Bit 4 | Bit 3 | Bit 2 | Bit 1 | Bit 0 |
| OPTION | UART1W | MODE3V | WDTPSC | | ADCKS | | TM3PSC | |
| R/W | R/W | R/W | R/W | | R/W | | R/W | |
| Reset | 0 | 0 | 0 | 0 | 0 | 0 | 0 | 0 |

94h.6 **MODE3V:** 3V mode selection control bit

If this bit is set, the Chip can be only operated in the condition of $V_{CC} < 3.6V$, and LDO is turned off to save current



4. Reset

The Chip has five types of reset methods. Resets can be caused by Power on Reset (POR), External Pin Reset (XRST), Software Command Reset (SWRST), Watchdog Timer Reset (WDTR), or Low Voltage Reset (LVR). The CFGW controls the Reset functionality. The SFRs are returned to their default value after Reset.

4.1 Power on Reset

After Power on Reset, the device stays on Reset state for 40 ms as chip warm up time, then downloads the CFGW register from Flash's last two bytes (Other Reset will not reload the CFGW). The Power on Reset needs VCC pin's voltage first discharge to near VSS level, then rise beyond 2.0V.

4.2 External Pin Reset

External Pin Reset is active low. It needs to keep at least 2 SRC clock cycle long to be seen by the Chip. External Pin Reset can be disabled or enabled by CFGW.

4.3 Software Command Reset

Software Reset is activated by writing the SFR 97h with data 56h.

4.4 Watchdog Timer Reset

WDT overflow Reset is disabled or enabled by SFR F7h. The WDT uses SRC as its counting time base. It runs in Fast/Slow mode and runs or stops in Idle/Stop mode. WDT overflow speed can be defined by WDTPSC SFR. WDT is cleared by device Reset or CLRWDT SFR bit.

4.5 Low Voltage Reset

The Chip offers three options for LVR and Low Voltage Detection (LVD) functions. The user can make a selection by CFGW, let LVR voltages of 2.9V, 2.3V, and 1.8V/2.0V be selected separately, and let LVD be 2.3V only. If the LVR is selected as 1.8V/2.0V, the 2.3V LVD flag is available for LVD. If LVR is selected as 2.3V or 2.9V, the LVD flag cannot be used.

| System Clock frequency | 8MHz | 6MHz | 4MHz | 2MHz |
|------------------------|----------|----------|----------|---------------|
| Minimum LVR level | LVR=2.9V | LVR=2.9V | LVR=2.3V | LVR=1.8V/2.0V |

LVR setting table

Note: LVR must be enable, also refer to AP-TM52XXXXX_02S for LVR setting information

| Flash 1FFEh | Bit 7 | Bit 6 | Bit 5 | Bit 4 | Bit 3 | Bit 2 | Bit 1 | Bit 0 |
|--------------------|-------|-------|-------|-------|-------|-------|-------|-------|
| CFGWL | WDTE | | – | FRFCF | | | | |

1FFEh.7~6 **WDTE**: Watchdog Timer Reset control

0x: Watchdog Timer Reset disable

10: Watchdog Timer Reset enable in Fast/Slow mode, disable in Idle/Stop mode

11: Watchdog Timer Reset always enable

Note: FW should not change FRFCF while writing WDTE

| Flash 1FFFh | Bit 7 | Bit 6 | Bit 5 | Bit 4 | Bit 3 | Bit 2 | Bit 1 | Bit 0 |
|--------------------|-------|-------|-------|-------|--------|---------|---------|-------|
| CFGWH | PROT | XRSTE | LVRE | | VCCFLT | PWRSVAV | MVCLOCK | – |

1FFFh.6 **XRSTE**: External Pin Reset control

0: Disable External Pin Reset

1: Enable External Pin Reset

1FFFh.5~4 **LVRE**: Low Voltage Reset function select

00: Set LVR at 2.9V

01: Set LVR at 2.3V

10: LVR disable and set LVD at 2.3V(F5274B/78B)

11: Set LVR at 1.8V and LVD at 2.3V(F5274B/78B)

1x: Set LVR at 2.0V and LVD at 2.3V (F5274C/78C)

| SFR 94h | Bit 7 | Bit 6 | Bit 5 | Bit 4 | Bit 3 | Bit 2 | Bit 1 | Bit 0 |
|----------------|--------|--------|--------|-------|-------|-------|--------|-------|
| OPTION | UART1W | MODE3V | WDTPSC | | ADCKS | | TM3PSC | |
| R/W | R/W | R/W | R/W | | R/W | | R/W | |
| Reset | 0 | 0 | 0 | 0 | 0 | 0 | 0 | 0 |

94h.5~4 **WDTPSC**: Watchdog Timer pre-scalar time select

00: 360ms WDT overflow rate

01: 180ms WDT overflow rate

10: 90ms WDT overflow rate

11: 45ms WDT overflow rate

| SFR 95h | Bit 7 | Bit 6 | Bit 5 | Bit 4 | Bit 3 | Bit 2 | Bit 1 | Bit 0 |
|----------------|-------|-------|-------|-------|-------|-------|-------|-------|
| INTFLG | LVD | – | TKIF | ADIF | – | IE2 | P1IF | TF3 |
| R/W | R | – | R/W | R/W | – | R/W | R/W | R/W |
| Reset | – | – | 0 | 0 | – | 0 | 0 | 0 |

95h.7 **LVD**: Low Voltage Detect flag

Set by H/W when a low voltage occurs. The flag is valid when LVR is 2.0V. This flag is disabled in Stop mode or if MODE3V=1 and PWRSVAV=1.

| SFR 97h | Bit 7 | Bit 6 | Bit 5 | Bit 4 | Bit 3 | Bit 2 | Bit 1 | Bit 0 |
|----------------|--------------|-------|-------|-------|-------|-------|-------|-------|
| SWCMD | IAPALL/SWRST | | | | | | | |
| R/W | W | | | | | | | R/W |
| Reset | – | | | | | | | 0 |

97h.7~0 **SWRST**: Write 56h to generate S/W Reset

| SFR F8h | Bit 7 | Bit 6 | Bit 5 | Bit 4 | Bit 3 | Bit 2 | Bit 1 | Bit 0 |
|----------------|--------|--------|-------|-------|---------|-------|-------|-------|
| AUX1 | CLRWDT | CLRTM3 | TKSOC | ADSOC | CLRPWM0 | – | – | DPSEL |
| R/W | R/W | R/W | R/W | R/W | R/W | – | – | R/W |
| Reset | 0 | 0 | 0 | 0 | 0 | – | – | 0 |

F8h.7 **CLRWDT**: Set to clear WDT, H/W auto clear it at next clock cycle

5. Clock Circuitry and Operation Mode

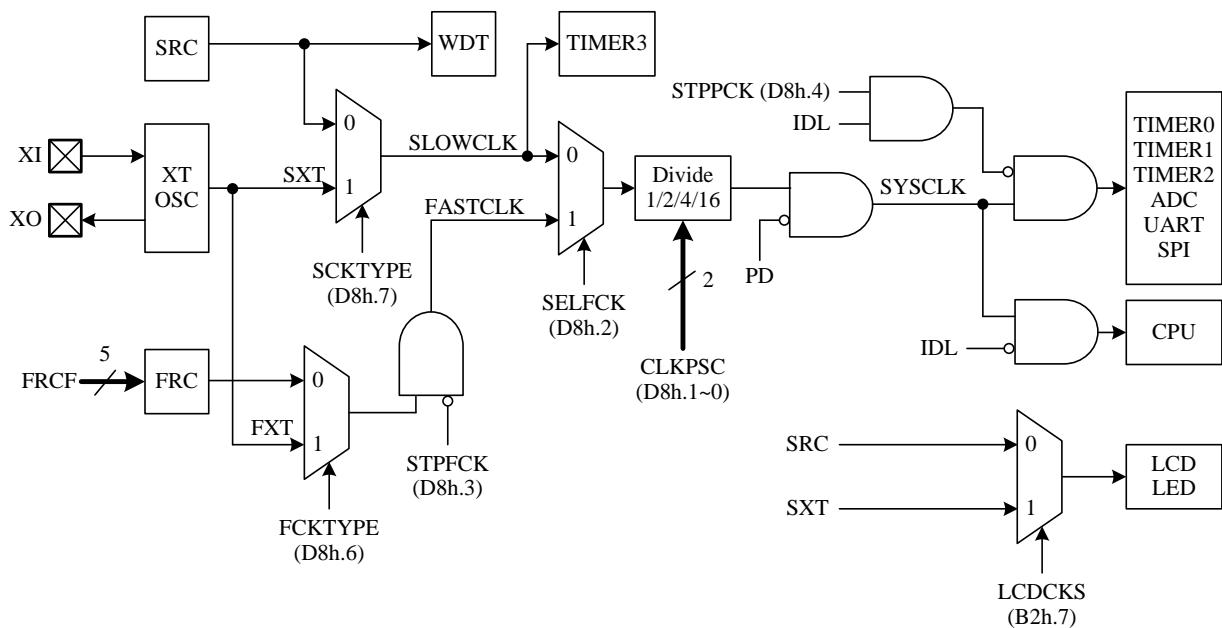
5.1 System Clock

The Chip is designed with dual-clock system. During runtime, user can directly switch the System clock from fast to slow or from slow to fast. It also can directly select a clock divider of 1, 2, 4 or 16. The Fast clock can be selected as FXT (Fast Crystal, 1~8 MHz) or FRC (Fast Internal RC, 7.3728 MHz). The Slow clock can be selected as SXT (Slow Crystal, 32 KHz) or SRC (Slow Internal RC, 24 KHz). Fast mode and Slow mode are defined as the CPU running at Fast and Slow clock speeds.

After Reset, the device is running at Slow mode with 24 KHz SRC. S/W should select the proper clock rate for chip operation safety. The higher V_{CC} allows the chip to run at a higher System clock frequency. In a typical condition, an 8 MHz System clock rate requires $V_{CC} > 2.5V$.

The Chip has an external oscillators connected to the XI/XO pins. It relies on external circuitry for the clock signal and frequency stabilization, such as a stand-alone oscillator, quartz crystal, or ceramic resonator. In Fast mode, the fast oscillator can be used in the range from 1~8 MHz. In Slow mode, the slow oscillator can only use a clock frequency of 32.768 KHz.

The **CLKCON** SFR controls the System clock operating. H/W automatically blocks the S/W abnormally setting for this register. S/W can only change the Slow clock type in Fast mode and change the Fast clock type in Slow mode. Never to write both STPFCK=1 & SELFCK=1. It is recommended to write this SFR bit by bit.



Note: also refer to AP-TM52XXXXX_01S and AP-TM52XXXXX_02S about System Clock Application Note.

5.2 Operation Mode

There are four operation modes for this device. **Fast Mode** is defined as the CPU running at Fast clock speed. **Slow Mode** is defined as the CPU running at Slow clock speed. When the System clock speed is lower, the power consumption is lower.

Idle Mode is entered by setting the IDL bit in PCON SFR. Both Fast and Slow clock can be set as the System clock source in Idle Mode, but Slow clock is better for power saving. In Idle mode, the CPU puts itself to sleep while the on-chip peripherals stay active. The “STPPCK” bit in CLKCON SFR can be set to furthermore reduce Idle mode current. If STPPCK=1, Timer0/1/2, ADC and UART are stopped in Idle mode. The slower System clock rate also helps current saving. It can be achieved by setup the CLKPSC SFR to divide System clock frequency. Idle mode is terminated by Reset or enabled Interrupts wake up.

Stop Mode is entered by setting the PD bit in PCON SFR. This mode is the so-called “Power Down” mode in standard 8051. In Stop mode, all clocks stop except the WDT is alive if it is enabled. Stop mode can be terminated by Reset or pin wake up.

Note: Chip cannot enter Stop Mode if INTn pin is low and wakeup is enabled. (INTn=0 and EXn=1, n=0,1,2)

| SFR 87h | Bit 7 | Bit 6 | Bit 5 | Bit 4 | Bit 3 | Bit 2 | Bit 1 | Bit 0 |
|-------------|-------|-------|-------|-------|-------|-------|-------|-------|
| PCON | SMOD | – | – | – | GF1 | GF0 | PD | IDL |
| R/W | R/W | – | – | – | R/W | R/W | R/W | R/W |
| Reset | 0 | – | – | – | 0 | 0 | 0 | 0 |

87h.1 **PD:** Stop bit. If 1 Stop mode is entered.

87h.0 **IDL:** Idle bit. If 1, Idle mode is entered.

| SFR D8h | Bit 7 | Bit 6 | Bit 5 | Bit 4 | Bit 3 | Bit 2 | Bit 1 | Bit 0 |
|---------------|---------|---------|-------|--------|--------|--------|--------|-------|
| CLKCON | SCKTYPE | FCKTYPE | – | STPPCK | STPFCK | SELFCK | CLKPSC | |
| R/W | R/W | R/W | – | R/W | R/W | R/W | R/W | |
| Reset | 0 | 0 | – | 0 | 0 | 0 | 1 | 1 |

D8h.7 **SCKTYPE:** Slow clock type. This bit can be changed only in Fast mode (SELFCK=1).

0: SRC

1: SXT

D8h.6 **FCKTYPE:** Fast clock type. This bit can be changed only in Slow mode (SELFCK=0).

0: FRC

1: FXT

D8h.4 **STPPCK:** Set 1 to stop UART/Timer0/Timer1/Timer2/ADC clock in Idle mode

D8h.3 **STPFCK:** Set 1 to stop Fast clock for power saving in Slow/Idle mode.

This bit can be changed only in Slow mode.

D8h.2 **SELFCK:** System clock source selection. This bit can be changed only when STPFCK=0.

0: Slow clock

1: Fast clock

D8h.1~0 **CLKPSC:** System clock prescaler.

00: System clock is Fast/Slow clock divided by 16

01: System clock is Fast/Slow clock divided by 4

10: System clock is Fast/Slow clock divided by 2

11: System clock is Fast/Slow clock divided by 1

6. Interrupt and Wake-up

This Chip has an 11-source four-level priority interrupt structure. All enabled Interrupts can wake up CPU from Idle mode, but only the Pin Interrupts can wake up CPU from Stop mode. Each interrupt source has its own enable control bit. An interrupt event will set its individual Interrupt Flag, no matter whether its interrupt enable control bit is 0 or 1. The Interrupt vectors and flags are list below.

| Vector | Flag | Description |
|--------|----------------|---|
| 0003 | IE0 | INT0 external pin Interrupt (can wake up Stop mode) |
| 000B | TF0 | Timer0 Interrupt |
| 0013 | IE1 | INT1 external pin Interrupt (can wake up Stop mode) |
| 001B | TF1 | Timer1 Interrupt |
| 0023 | RI+TI | Serial Port (UART) Interrupt |
| 002B | TF2+EXF2 | Timer2 Interrupt |
| 0033 | – | Reserved for ICE mode use |
| 003B | TF3 | Timer3 Interrupt |
| 0043 | P1IF | Port1 external pin change Interrupt (can wake up Stop mode) |
| 004B | IE2 | INT2 external pin Interrupt (can wake up Stop mode) |
| 0053 | ADIF+TKIF | ADC/Touch Key Interrupt |
| 005B | SPIF+WCOL+MODF | SPI Interrupt |

Interrupt Vector & Flag

6.1 Interrupt Enable and Priority Control

The IE and INTE1 SFRs decide whether the pending interrupt is serviced by CPU. The IP, IPH, IP1 and IP1H SFRs decide the interrupt priority. An interrupt will be serviced as long as an interrupt of equal or higher priority is not already being serviced. If an interrupt of equal or higher level priority is being serviced, the new interrupt will wait until it is finished before being serviced. If a lower priority level interrupt is being serviced, it will be stopped and the new interrupt serviced. When the new interrupt is finished, the lower priority level interrupt that was stopped will be completed.

| SFR 96h | Bit 7 | Bit 6 | Bit 5 | Bit 4 | Bit 3 | Bit 2 | Bit 1 | Bit 0 |
|---------------|--------|-------|-------|-------|-------|-------|-------|-------|
| P1WKUP | P1WKUP | | | | | | | |
| R/W | R/W | | | | | | | |
| Reset | 0 | 0 | 0 | 0 | 0 | 0 | 0 | 0 |

96h.7~0 **P1WKUP:** P1.7~P1.0 pin individual Wake up/Interrupt enable control

0: Disable

1: Enable

| SFR A8h | Bit 7 | Bit 6 | Bit 5 | Bit 4 | Bit 3 | Bit 2 | Bit 1 | Bit 0 |
|-----------|-------|-------|-------|-------|-------|-------|-------|-------|
| IE | EA | – | ET2 | ES | ET1 | EX1 | ET0 | EX0 |
| R/W | R/W | – | R/W | R/W | R/W | R/W | R/W | R/W |
| Reset | 0 | – | 0 | 0 | 0 | 0 | 0 | 0 |

- A8h.7 **EA**: Global interrupt enable
 0: Disable all interrupts
 1: Each interrupt is enabled or disabled by its individual interrupt control bit
- A8h.5 **ET2**: Timer2 interrupt enable
 0: Disable Timer2 interrupt
 1: Enable Timer2 interrupt
- A8h.4 **ES**: Serial Port (UART) interrupt enable
 0: Disable Serial Port (UART) interrupt
 1: Enable Serial Port (UART) interrupt
- A8h.3 **ET1**: Timer1 interrupt enable
 0: Disable Timer1 interrupt
 1: Enable Timer1 interrupt
- A8h.2 **EX1**: INT1 pin Interrupt enable and Stop mode wake up enable
 0: Disable INT1 pin Interrupt and Stop mode wake up
 1: Enable INT1 pin Interrupt and Stop mode wake up, it can wake up CPU from Stop mode no matter EA is 0 or 1.
- A8h.1 **ET0**: Timer0 interrupt enable
 0: Disable Timer0 interrupt
 1: Enable Timer0 interrupt
- A8h.0 **EX0**: INT0 pin Interrupt enable and Stop mode wake up enable
 0: Disable INT0 pin Interrupt and Stop mode wake up
 1: Enable INT0 pin Interrupt and Stop mode wake up, it can wake up CPU from Stop mode no matter EA is 0 or 1.

| SFR A9h | Bit 7 | Bit 6 | Bit 5 | Bit 4 | Bit 3 | Bit 2 | Bit 1 | Bit 0 |
|--------------|-------|-------|-------|-------|--------|-------|-------|-------|
| INTE1 | IAPWE | | | SPIE | ADTKIE | EX2 | P1IE | TM3IE |
| R/W | R/W | | | R/W | R/W | R/W | R/W | R/W |
| Reset | 0 | 0 | 0 | 0 | 0 | 0 | 0 | 0 |

- A9h.4 **SPIE**: SPI interrupt enable
 0: Disable SPI interrupt
 1: Enable SPI interrupt
- A9h.3 **ADTKIE**: ADC/Touch Key (F5278 Only) interrupt enable
 0: Disable ADC/Touch Key (F5278 Only) interrupt
 1: Enable ADC/Touch Key (F5278 Only) interrupt
- A9h.2 **EX2**: INT2 pin Interrupt enable and Stop mode wake up enable
 0: Disable INT2 pin Interrupt and Stop mode wake up
 1: Enable INT2 pin Interrupt and Stop mode wake up, it can wake up CPU from Stop mode no matter EA is 0 or 1.
- A9h.1 **P1IE**: Port1 pin change interrupt enable
 0: Disable Port1 pin change interrupt
 1: Enable Port1 pin change interrupt
- A9h.0 **TM3IE**: Timer3 interrupt enable
 0: Disable Timer3 interrupt
 1: Enable Timer3 interrupt

| SFR B9h | Bit 7 | Bit 6 | Bit 5 | Bit 4 | Bit 3 | Bit 2 | Bit 1 | Bit 0 |
|------------|-------|-------|-------|-------|-------|-------|-------|-------|
| IPH | – | – | PT2H | PSH | PT1H | PX1H | PT0H | PX0H |
| R/W | – | – | R/W | R/W | R/W | R/W | R/W | R/W |
| Reset | – | – | 0 | 0 | 0 | 0 | 0 | 0 |

| SFR B8h | Bit 7 | Bit 6 | Bit 5 | Bit 4 | Bit 3 | Bit 2 | Bit 1 | Bit 0 |
|-----------|-------|-------|-------|-------|-------|-------|-------|-------|
| IP | – | – | PT2 | PS | PT1 | PX1 | PT0 | PX0 |
| R/W | – | – | R/W | R/W | R/W | R/W | R/W | R/W |
| Reset | – | – | 0 | 0 | 0 | 0 | 0 | 0 |

B9h.5, B8h.5 **PT2H, PT2**: Timer2 interrupt priority control. (PT2H, PT2) =

00: Level 0 (lowest priority)

01: Level 1

10: Level 2

11: Level 3 (highest priority)

B9h.4, B8h.4 **PSH, PS**: Serial Port (UART) interrupt priority control. Definition as above.

B9h.3, B8h.3 **PT1H, PT1**: Timer1 interrupt priority control. Definition as above.

B9h.2, B8h.2 **PX1H, PX1**: INT1 pin interrupt priority control. Definition as above.

B9h.1, B8h.1 **PT0H, PT0**: Timer0 interrupt priority control. Definition as above.

B9h.0, B8h.0 **PX0H, PX0**: INT0 pin interrupt priority control. Definition as above.

| SFR BBh | Bit 7 | Bit 6 | Bit 5 | Bit 4 | Bit 3 | Bit 2 | Bit 1 | Bit 0 |
|-------------|-------|-------|-------|-------|---------|-------|-------|-------|
| IP1H | – | – | – | PSPIH | PADTKIH | PX2H | PP1H | PT3H |
| R/W | – | – | – | R/W | R/W | R/W | R/W | R/W |
| Reset | – | – | – | 0 | 0 | 0 | 0 | 0 |

| SFR BAh | Bit 7 | Bit 6 | Bit 5 | Bit 4 | Bit 3 | Bit 2 | Bit 1 | Bit 0 |
|------------|-------|-------|-------|-------|--------|-------|-------|-------|
| IP1 | – | – | – | PSPI | PADTKI | PX2 | PP1 | PT3 |
| R/W | – | – | – | R/W | R/W | R/W | R/W | R/W |
| Reset | – | – | – | 0 | 0 | 0 | 0 | 0 |

BBh.4, BAh.4 **PSPIH, PSPI**: SPI interrupt priority control. Definition as above.

BBh.3, BAh.3 **PADTKIH, PADTKI**: ADC/Touch Key (F5278 only) interrupt priority control. Definition as above.

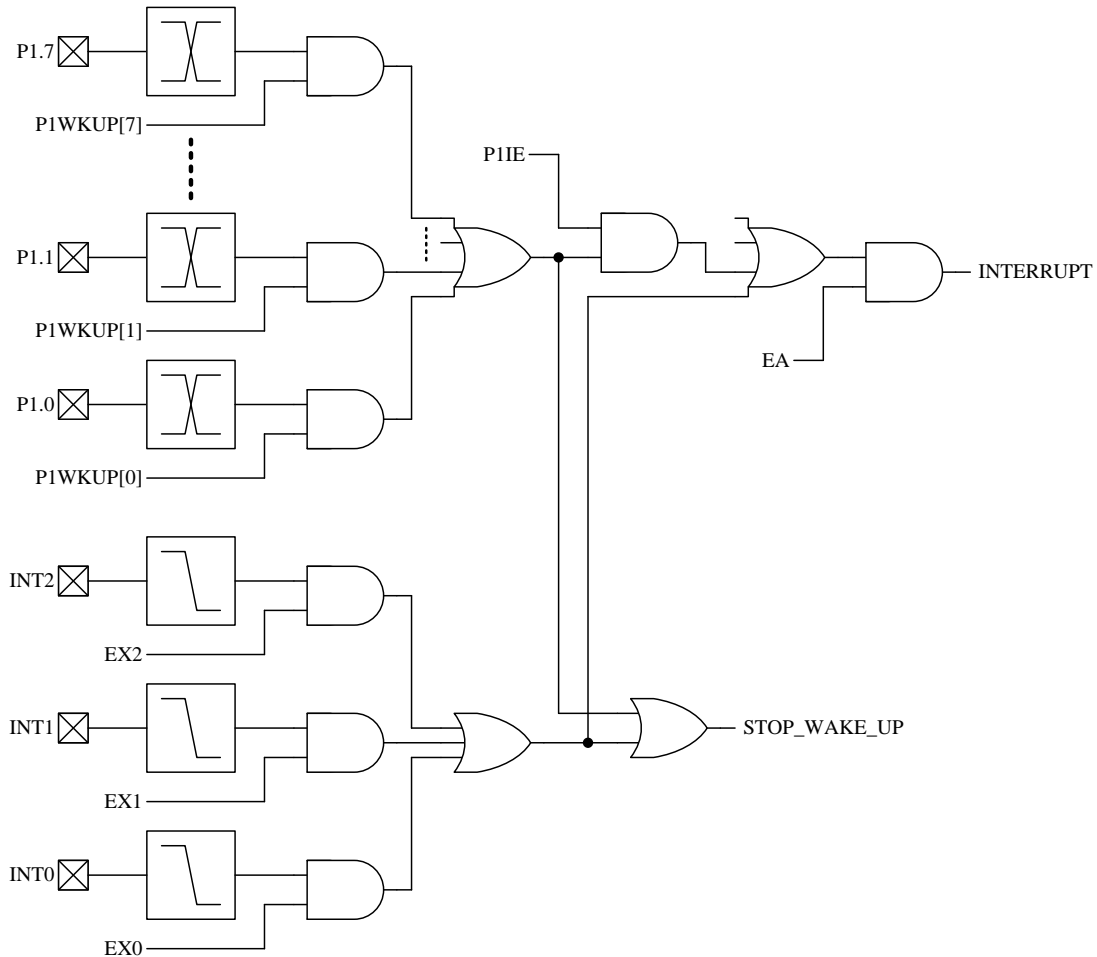
BBh.2, BAh.2 **PX2H, PX2**: INT2 pin interrupt priority control. Definition as above.

BBh.1, BAh.1 **PP1H, PP1**: Port1 pin change interrupt priority control. Definition as above.

BBh.0, BAh.0 **PT3, PT3**: Timer3 interrupt priority control. Definition as above.

6.2 Pin Interrupt

Pin Interrupts include INT0 (P3.2), INT1 (P3.3), INT2 (P3.7) and Port1 Change Interrupt. These pins also have the Stop mode wake up capability. INT0 and INT1 are falling edge or low level triggered as the 8051 standard. INT2 is falling edge triggered and Port1 Change Interrupt is triggered by any Port1 pin state change.



Pin Interrupt & Wake up

| SFR 88h | Bit 7 | Bit 6 | Bit 5 | Bit 4 | Bit 3 | Bit 2 | Bit 1 | Bit 0 |
|-------------|-------|-------|-------|-------|-------|-------|-------|-------|
| TCON | TF1 | TR1 | TF0 | TR0 | IE1 | IT1 | IE0 | IT0 |
| R/W | R/W | R/W | R/W | R/W | R/W | R/W | R/W | R/W |
| Reset | 0 | 0 | 0 | 0 | 0 | 0 | 0 | 0 |

- 88h.3 **IE1:** External Interrupt 1 (INT1 pin) edge flag
Set by H/W when an INT1 pin falling edge is detected, no matter the EX1 is 0 or 1.
It is cleared automatically when the program performs the interrupt service routine.
- 88h.2 **IT1:** External Interrupt 1 control bit
0: Low level active (level triggered) for INT1 pin
1: Falling edge active (edge triggered) for INT1 pin
- 88h.1 **IE0:** External Interrupt 0 (INT0 pin) edge flag
Set by H/W when an INT0 pin falling edge is detected, no matter the EX0 is 0 or 1.
It is cleared automatically when the program performs the interrupt service routine.
- 88h.0 **IT0:** External Interrupt 0 control bit
0: Low level active (level triggered) for INT0 pin
1: Falling edge active (edge triggered) for INT0 pin

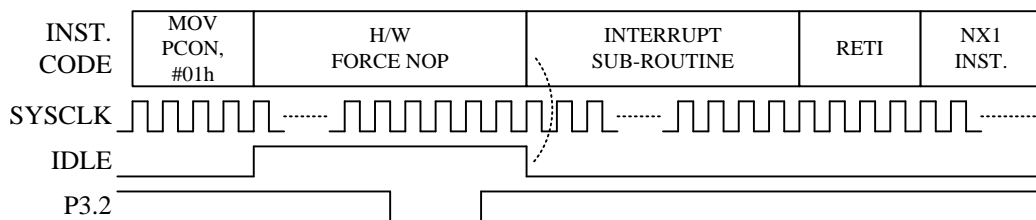
| SFR 95h | Bit 7 | Bit 6 | Bit 5 | Bit 4 | Bit 3 | Bit 2 | Bit 1 | Bit 0 |
|---------------|-------|-------|-------|-------|-------|-------|-------|-------|
| INTFLG | LVD | – | TKIF | ADIF | – | IE2 | P1IF | TF3 |
| R/W | R | – | R/W | R/W | – | R/W | R/W | R/W |
| Reset | – | – | 0 | 0 | – | 0 | 0 | 0 |

- 95h.2 **IE2:** External Interrupt 2 (INT2 pin) edge flag
 Set by H/W when a falling edge is detected on the INT2 pin state, no matter the EX2 is 0 or 1.
 It is cleared automatically when the program performs the interrupt service routine.
 S/W can write FBh to INTFLG to clear this bit. (Note2)
- 95h.1 **P1IF:** Port1 pin change interrupt flag
 Set by H/W when a P1 pin state change is detected, and its interrupt enable bit is set (P1WKUP).
 P1IE does not affect this flag's setting.
 It is cleared automatically when the program performs the interrupt service routine.
 S/W can write FDh to INTFLG to clear this bit. (Note2)

Note2: S/W can write 0 to clear a flag in the INTFLG, but writing 1 has no effect.

6.3 Idle Mode Wake up and Interrupt

Idle mode is waked up by enabled Interrupts, which means individual interrupt enable bit (ex: EX0) and EA bit must be both set to 1 to establish Idle mode wake up capability. All enabled Interrupts (Pins, Timers, ADC, TK, SPI and UART) can wake up CPU from Idle mode. Upon Idle wake-up, Interrupt service routine is entered immediately. “The first instruction behind IDL (PCON.0) setting” is executed after interrupt service routine return.



EA=EX0=1, Idle mode wake-up and Interrupt by P3.2 (INT0)

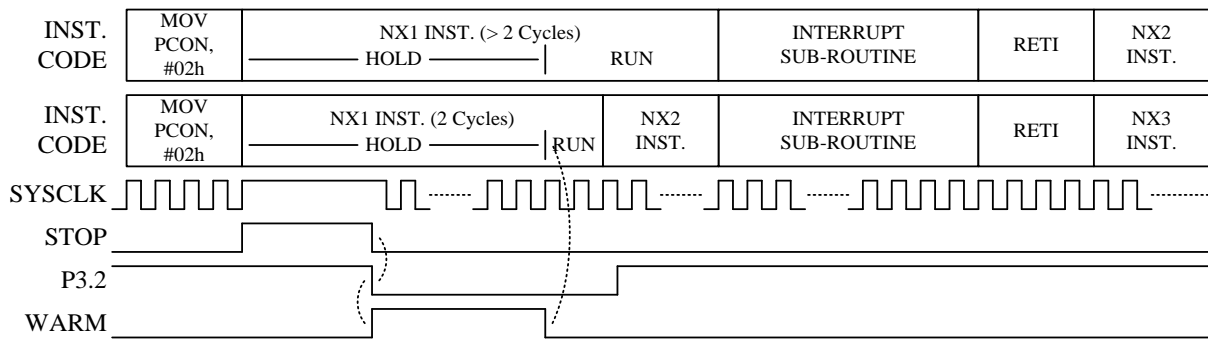
| SFR 87h | Bit 7 | Bit 6 | Bit 5 | Bit 4 | Bit 3 | Bit 2 | Bit 1 | Bit 0 |
|-------------|-------|-------|-------|-------|-------|-------|-------|-------|
| PCON | SMOD | – | – | – | GF1 | GF0 | PD | IDL |
| R/W | R/W | – | – | – | R/W | R/W | R/W | R/W |
| Reset | 0 | – | – | – | 0 | 0 | 0 | 0 |

- 87h.1 **PD:** Stop bit. If 1, Stop mode is entered.
 87h.0 **IDL:** Idle bit. If 1, Idle mode is entered.

6.4 Stop Mode Wake up and Interrupt

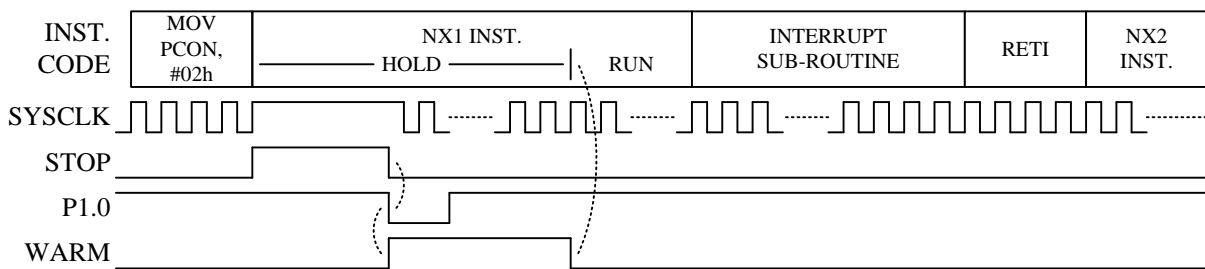
Stop mode wake up is simple, as long as the individual pin interrupt enable bit (ex: EX0) is set, the pin wake up capability is asserted. Set EX0/EX1/EX2 can enable INT0/INT1/INT2 pins' Stop mode wake up capability. Set P1WKUP bit 7~0 can enable P1.7~P1.0's Stop mode wake up capability. Upon Stop wake up, “the first instruction behind PD (PCON.1) setting” is executed immediately before Interrupt service. Interrupt entry needs EA=1 (P1WKUP also needs P1IE=1) and the trigger state of the pin staying sufficiently long to be observed by the System clock. This feature allows CPU to enter or not enter Interrupt sub-routine after Stop mode wake up.

Note: Chip cannot enter Stop Mode if INTn pin is low and wakeup is enable. (INTn=0 and EXn=1, n=0,1,2)



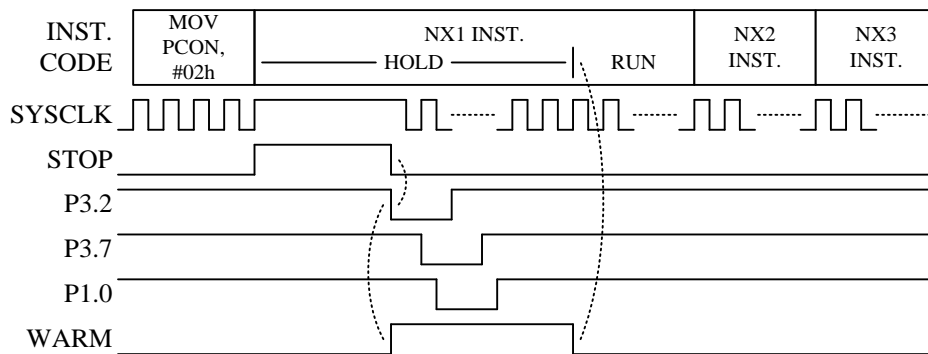
EA=EX0=1

P3.2 (INT0) is sampled after warm-up, Stop mode wake-up and Interrupt.



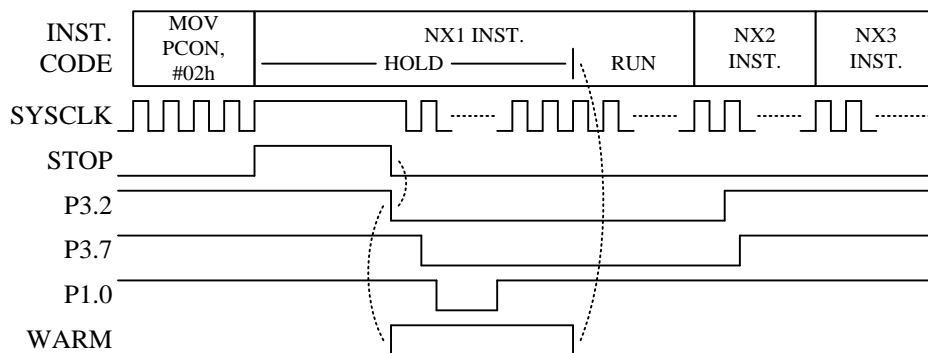
EA=P1IE=P1WKUP=1

P1.0 change (not need clock sample), Stop mode wake-up and Interrupt.



EA=EX0=EX2=P1WKUP=1, P1IE=0

Stop mode wake-up but not Interrupt, P3.2/P3.7 pulse too narrow.



EX0=EX2=P1WKUP=1=P1IE=1, EA=0

Stop mode wake-up but not Interrupt.

7. I/O Ports

The Chip has total 30 multi-function I/O pins. All I/O pins follow the standard 8051 “Read-Modify-Write” feature. The instructions that read the SFR rather than the Pin State are the ones that read a port or port bit value, possibly change it, and then rewrite it to the SFR. (ex: ANL P1, A; INC P2; CPL P3.0)

7.1 Port1 & P2.1~P2.0 & P3.6~P3.0

These pins can operate in four different modes as below.

| Mode | Port1, P2.1~P2.0, P3.6~P3.0 pin function | | Px.n SFR data | Pin State | Resistor Pull-up | Digital Input |
|---------------|---|------------|-------------------|------------|---------------------|------------------|
| | P3.2~P3.0 | Others | | | | |
| Mode 0 | Pseudo Open Drain | Open Drain | 0 | Drive Low | N | N |
| | | | 1 | Pull-up | Y | Y |
| Mode 1 | Pseudo Open Drain | Open Drain | 0 | Drive Low | N | N |
| | | | 1 | Hi-Z | N | Y |
| Mode 2 | CMOS Output | | 0 | Drive Low | N | N |
| | | | 1 | Drive High | N | N |
| Mode 3 | Alternative Function, such as LCD/LED, ADC and Touch Key | | X (don't care) | — | N | N |

Port1, P2.1~P2.0, P3.6~P3.0 I/O Pin Function Table

If a Port1, P2.1~P2.0 or P3.6~P3.0 pin is used for Schmitt-trigger input, S/W must set the I/O pin to Mode0 or Mode1 and set the corresponding Port Data SFR to 1 to disable the pin's output driving circuitry.

Beside I/O port function, each Port1, P2.1~P2.0 and P3.6~P3.0 pin has one or more alternative functions, such as LCD/LED, ADC and Touch Key. Most of the functions are activated by setting the individual pin mode control SFR to Mode3. Port1/Port3 pins have standard 8051 auxiliary definition such as INT0/1, T0/1/2, or RXD/TXD. These pin functions need to set the pin mode SFR to Mode0 or Mode1 and keep the P1.n/P3.n SFR at 1.

| Pin Name | 8051 | Wake-up | CKO | ADC/TK | LCD/LED | others | Mode3 |
|----------|------|---------|-----|---------|---------|--------|---------|
| P1.0 | T2 | Y | T2O | AD4/TK0 | SEG14 | | AD4/TK0 |
| P1.1 | T2EX | Y | | AD5/TK1 | SEG13 | | AD5/TK1 |
| P1.2 | | Y | | AD6/TK2 | SEG12 | PWM0A | AD6/TK2 |
| P1.3 | | Y | | AD7/TK3 | SEG11 | PWM1A | AD7/TK3 |
| P1.4 | | Y | CKO | AD8/TK8 | SEG10 | | AD8/TK8 |
| P1.5 | | Y | | AD9/CLD | SEG9 | | AD9/CLD |
| P1.6 | | Y | | TK9 | SEG8 | | TK9 |
| P1.7 | | Y | | TK10 | SEG7 | MISO | TK10 |
| P3.0 | RXD | | | AD3/TK7 | SEG15 | | AD3/TK7 |
| P3.1 | TXD | | | AD2/TK6 | SEG16 | | AD2/TK6 |
| P3.2 | INT0 | Y | | AD1/TK5 | SEG17 | | AD1/TK5 |
| P3.3 | INT1 | Y | | AD0/TK4 | | | AD0/TK4 |
| P3.4 | T0 | | T0O | TK13 | SEG4 | SS | TK13 |
| P3.5 | T1 | | | TK12 | SEG5 | MOSI | TK12 |
| P3.6 | | | | TK11 | SEG6 | SCK | TK11 |
| P2.0 | | | | | | XI | |
| P2.1 | | | | | | XO | |

Port1, P2.1~P2.0, P3.6~P3.0 multi-function Table

The necessary SFR setting for Port1/P2.1~P2.0/P3.6~P3.0 pin's alternative function is list below.

| Alternative Function | Mode | Px.n SFR data | Pin State | Other necessary SFR setting |
|---------------------------------|------|------------------|---|--------------------------------|
| T0, T1, T2, T2EX, INT0, INT1 | 0 | 1 | Input with Pull-up | |
| | 1 | 1 | Input | |
| RXD, TXD | 0 | 1 | Input with Pull-up/Pseudo Open Drain Output | |
| | 1 | 1 | Input/Pseudo Open Drain Output | |
| T00, T20, CKO | 0 | X | Clock Open Drain Output with Pull-up | PINMOD P3MODH |
| | 1 | X | Clock Open Drain Output | |
| | 2 | X | Clock Output (CMOS Push-Pull) | |
| SEG4~17 (<i>Note</i>) | X | X | LCD/LED Waveform Output | LCDPIN |
| TK0~TK13 | 0 | 1 | Touch Key Idling, Pull-up | |
| | 3 | X | Touch Key Scanning | |
| CLD | 3 | X | Touch Key Capacitor Connection | |
| AD0~AD9 | 3 | X | ADC Channel | |
| PWM0A, PWM1A | 0 | X | PWM Open Drain Output with Pull-up | PINMOD |
| | 1 | X | PWM Open Drain Output | |
| | 2 | X | PWM Output (CMOS Push-Pull) | |
| SPI Master Mode MISO | 1 | 1 | SPI Data Input | SPCON |
| SPI Master Mode SCK, MOSI | 2 | X | SPI Clock/Data Output (CMOS Push-Pull) | SPCON |
| SPI Slave Mode MISO | 2 | X | SPI Data Output (CMOS Push-Pull) | SPCON |
| SPI Slave Mode SCK, MOSI | 1 | 1 | SPI Clock/Data Input | SPCON |
| SS | 1 | 1 | SPI Chip Selection | SPCON |
| XI, XO | 0 | 1 | Crystal oscillation | CLKCON |

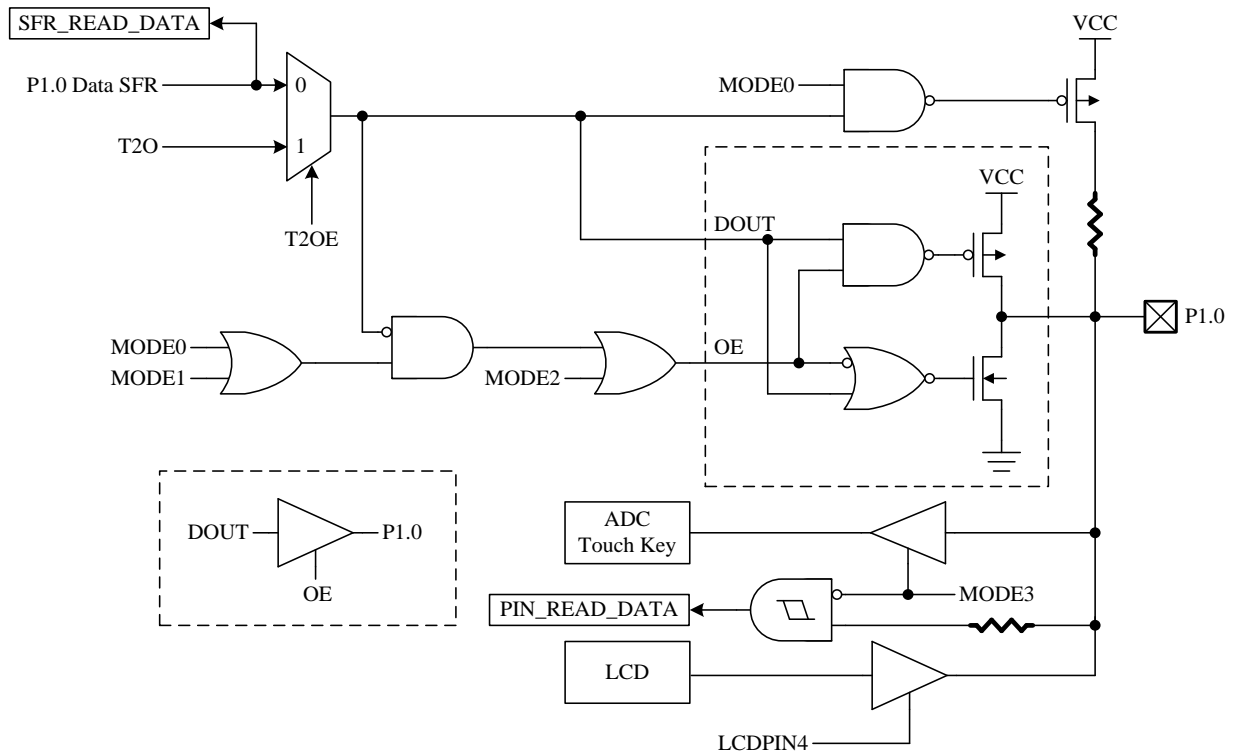
Mode Setting for Port1, P2.1~P2.0, P3.6~P3.0 Alternative Function

For tables above, a “**COMS Output**” pin means it can sink and drive at least 4 mA current. It is not recommended to use such pin as input function.

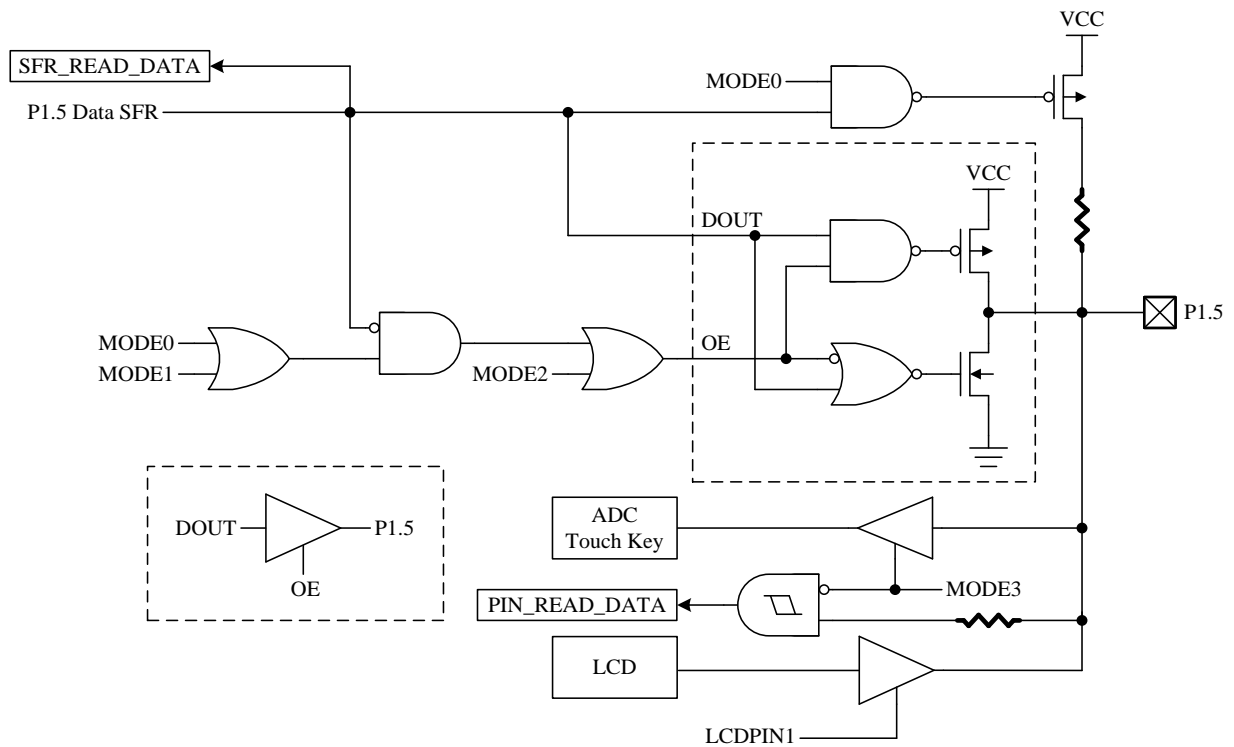
An “**Open Drain**” pin means it can sink at least 4 mA current but only drive a small current (<20μA). It can be used as input or output function and typically needs an external pull up resistor.

An 8051 standard pin is a “**Pseudo Open Drain**” pin. It can sink at least 4 mA current when output is at low level, and drives at least 4 mA current for 1~2 clock cycle when output transits from low to high, then keeps driving a small current (<20μA) to maintain the pin at high level. It can be used as input or output function.

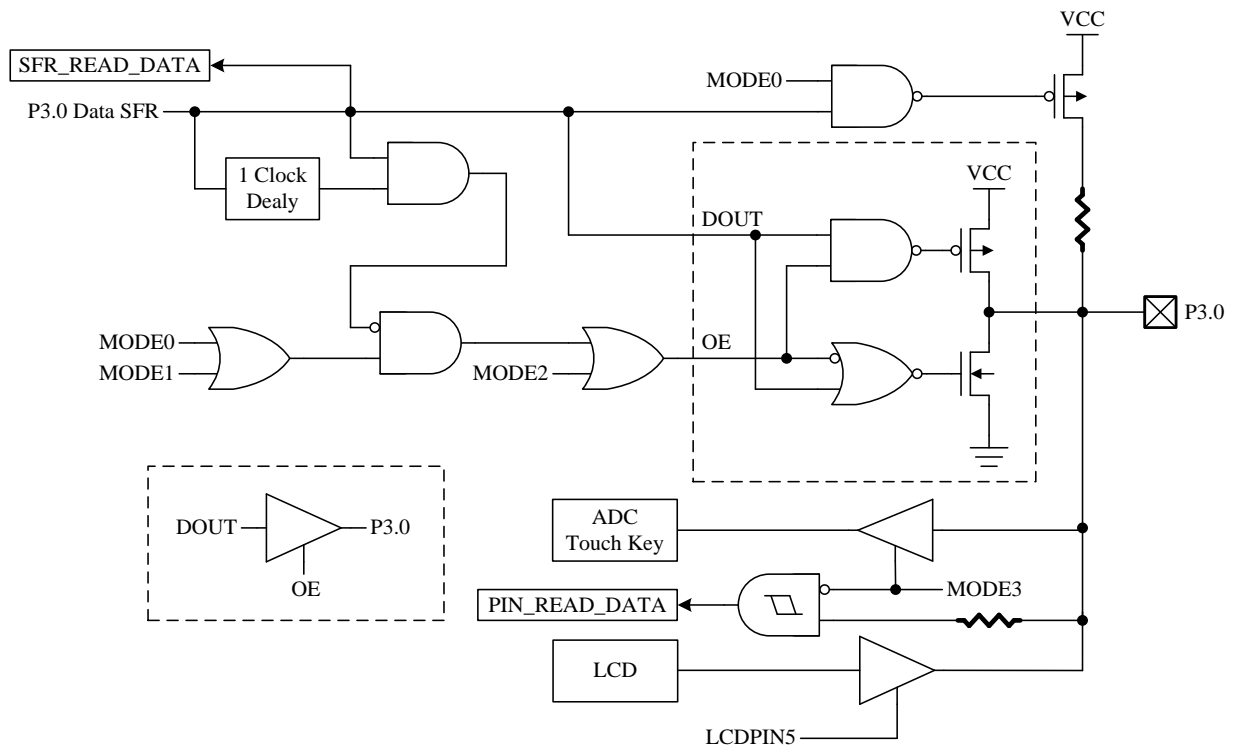
Note: For the necessary SFR setting above, LCDPIN has the highest priority. Therefore, if a pin is not used for Segment (ex: pin is I/O, ADC, TK, SPI...), S/W must disable the pin's LCD/LED Segment function.



P1.0 Pin Structure



P1.5 Pin Structure



P3.0 Pin Structure

| SFR 90h | Bit 7 | Bit 6 | Bit 5 | Bit 4 | Bit 3 | Bit 2 | Bit 1 | Bit 0 |
|-----------|-------|-------|-------|-------|-------|-------|-------|-------|
| P1 | P1.7 | P1.6 | P1.5 | P1.4 | P1.3 | P1.2 | P1.1 | P1.0 |
| R/W | R/W | R/W | R/W | R/W | R/W | R/W | R/W | R/W |
| Reset | 1 | 1 | 1 | 1 | 1 | 1 | 1 | 1 |

90h.7~0 **P1:** Port1 data

| SFR B0h | Bit 7 | Bit 6 | Bit 5 | Bit 4 | Bit 3 | Bit 2 | Bit 1 | Bit 0 |
|-----------|-------|-------|-------|-------|-------|-------|-------|-------|
| P3 | P3.7 | P3.6 | P3.5 | P3.4 | P3.3 | P3.2 | P3.1 | P3.0 |
| R/W | R/W | R/W | R/W | R/W | R/W | R/W | R/W | R/W |
| Reset | 1 | 1 | 1 | 1 | 1 | 1 | 1 | 1 |

B0h.6~0 **P3.6~P3.0:** P3.6~P3.0 data

| SFR A0h | Bit 7 | Bit 6 | Bit 5 | Bit 4 | Bit 3 | Bit 2 | Bit 1 | Bit 0 |
|-----------|-------|-------|-------|-------|-------|-------|-------|-------|
| P2 | P2.7 | P2.6 | P2.5 | P2.4 | P2.3 | P2.2 | P2.1 | P2.0 |
| R/W | R/W | R/W | R/W | R/W | R/W | R/W | R/W | R/W |
| Reset | 1 | 1 | 1 | 1 | 1 | 1 | 1 | 1 |

A0h.1~0 **P2.1~P2.0:** P2.1~P2.0 data

| SFR A2h | Bit 7 | Bit 6 | Bit 5 | Bit 4 | Bit 3 | Bit 2 | Bit 1 | Bit 0 |
|---------------|--------|-------|--------|-------|--------|-------|--------|-------|
| P1MODL | P1MOD3 | | P1MOD2 | | P1MOD1 | | P1MOD0 | |
| R/W | R/W | | R/W | | R/W | | R/W | |
| Reset | 0 | 0 | 0 | 0 | 0 | 0 | 0 | 0 |

- A2h.7~6 **P1MOD3**: P1.3 pin control
 00: Mode0
 01: Mode1
 10: Mode2
 11: Mode3, P1.3 is ADC or Touch Key input
- A2h.5~4 **P1MOD2**: P1.2 pin control
 00: Mode0
 01: Mode1
 10: Mode2
 11: Mode3, P1.2 is ADC or Touch Key input
- A2h.3~2 **P1MOD1**: P1.1 pin control
 00: Mode0
 01: Mode1
 10: Mode2
 11: Mode3, P1.1 is ADC or Touch Key input
- A2h.1~0 **P1MOD0**: P1.0 pin control
 00: Mode0
 01: Mode1
 10: Mode2
 11: Mode3, P1.0 is ADC or Touch Key input

| SFR A3h | Bit 7 | Bit 6 | Bit 5 | Bit 4 | Bit 3 | Bit 2 | Bit 1 | Bit 0 |
|---------------|--------|-------|--------|-------|--------|-------|--------|-------|
| P1MODH | P1MOD7 | | P1MOD6 | | P1MOD5 | | P1MOD4 | |
| R/W | R/W | | R/W | | R/W | | R/W | |
| Reset | 0 | 0 | 0 | 0 | 0 | 0 | 0 | 0 |

- A3h.7~6 **P1MOD7**: P1.7 pin control
 00: Mode0
 01: Mode1
 10: Mode2
 11: Mode3, P1.7 is Touch Key input
- A3h.5~4 **P1MOD6**: P1.6 pin control
 00: Mode0
 01: Mode1
 10: Mode2
 11: Mode3, P1.6 is Touch Key input
- A3h.3~2 **P1MOD5**: P1.5 pin control
 00: Mode0
 01: Mode1
 10: Mode2
 11: Mode3, P1.5 is ADC input or Touch Key CLD functional pin
- A3h.1~0 **P1MOD4**: P1.4 pin control
 00: Mode0
 01: Mode1
 10: Mode2
 11: Mode3, P1.4 is ADC or Touch Key input

| SFR A4h | Bit 7 | Bit 6 | Bit 5 | Bit 4 | Bit 3 | Bit 2 | Bit 1 | Bit 0 |
|---------------|--------|-------|--------|-------|--------|-------|--------|-------|
| P3MODL | P3MOD3 | | P3MOD2 | | P3MOD1 | | P3MOD0 | |
| R/W | R/W | | R/W | | R/W | | R/W | |
| Reset | 0 | 1 | 0 | 1 | 0 | 1 | 0 | 1 |

- A4h.7~6 **P3MOD3**: P3.3 pin control
 00: Mode0
 01: Mode1
 10: Mode2
 11: Mode3, P3.3 is ADC or Touch Key input
- A4h.5~4 **P3MOD2**: P3.2 pin control
 00: Mode0
 01: Mode1
 10: Mode2
 11: Mode3, P3.2 is ADC or Touch Key input
- A4h.3~2 **P3MOD1**: P3.1 pin control
 00: Mode0
 01: Mode1
 10: Mode2
 11: Mode3, P3.1 is ADC or Touch Key input
- A4h.1~0 **P3MOD0**: P3.0 pin control
 00: Mode0
 01: Mode1
 10: Mode2
 11: Mode3, P3.0 is ADC or Touch Key input

| SFR A5h | Bit 7 | Bit 6 | Bit 5 | Bit 4 | Bit 3 | Bit 2 | Bit 1 | Bit 0 |
|---------------|-------|-------|--------|-------|--------|-------|--------|-------|
| P3MODH | T0OE | – | P3MOD6 | | P3MOD5 | | P3MOD4 | |
| R/W | R/W | – | R/W | | R/W | | R/W | |
| Reset | 0 | – | 0 | 0 | 0 | 0 | 0 | 0 |

- A5h.7 **T0OE**: Timer0 signal output (T0O) control
 0: Disable Timer0 overflow divided by 64 output to P3.4
 1: Enable Timer0 overflow divided by 64 output to P3.4
- A5h.5~4 **P3MOD6**: P3.6 pin control
 00: Mode0
 01: Mode1
 10: Mode2
 11: Mode3, P3.6 is Touch Key input
- A5h.3~2 **P3MOD5**: P3.5 pin control
 00: Mode0
 01: Mode1
 10: Mode2
 11: Mode3, P3.5 is Touch Key input
- A5h.1~0 **P3MOD4**: P3.4 pin control
 00: Mode0
 01: Mode1
 10: Mode2
 11: Mode3, P3.4 is Touch Key input

| SFR 93h | Bit 7 | Bit 6 | Bit 5 | Bit 4 | Bit 3 | Bit 2 | Bit 1 | Bit 0 |
|--------------|-------|-------|-------|-------|--------|-------|--------|-------|
| P2MOD | P2OE | | | | P2MOD1 | | P2MOD0 | |
| R/W | R/W | | | | R/W | | R/W | |
| Reset | 0 | 0 | 0 | 0 | 0 | 1 | 0 | 1 |

93h.3~2 **P2MOD1**: P2.1 pin control

00: Mode0
01: Mode1
10: Mode2
11: not defined

93h.1~0 **P2MOD0**: P2.0 pin control

00: Mode0
01: Mode1
10: Mode2
11: not defined

| SFR A6h | Bit 7 | Bit 6 | Bit 5 | Bit 4 | Bit 3 | Bit 2 | Bit 1 | Bit 0 |
|---------------|---------|---------|---------|---------|-------|-------|-------|-------|
| PINMOD | PWM1AOE | PWM1BOE | PWM0AOE | PWM0BOE | TCOE | T2OE | - | - |
| R/W | R/W | R/W | R/W | R/W | R/W | R/W | - | - |
| Reset | 0 | 0 | 0 | 0 | 0 | 0 | - | - |

A6h.7 **PWM1AOE**: PWM1A signal output enable

0: Disable PWM1A signal output to P1.3
1: Enable PWM1A signal output to P1.3

A6h.5 **PWM0AOE**: PWM0A signal output enable

0: Disable PWM0A signal output to P1.2
1: Enable PWM0A signal output to P1.2

A6h.3 **TCOE**: System clock signal output (CKO) control

0: Disable System clock divided by 2 output to P1.4
1: Enable System clock divided by 2 output to P1.4

A6h.2 **T2OE**: Timer2 signal output (T2O) control

0: Disable Timer2 overflow divided by 2 output to P1.0
1: Enable Timer2 overflow divided by 2 output to P1.0

| SFR B3h | Bit 7 | Bit 6 | Bit 5 | Bit 4 | Bit 3 | Bit 2 | Bit 1 | Bit 0 |
|---------------|---------|---------|---------|---------|---------|---------|---------|---------|
| LCDPIN | LCDPIN7 | LCDPIN6 | LCDPIN5 | LCDPIN4 | LCDPIN3 | LCDPIN2 | LCDPIN1 | LCDPIN0 |
| R/W | R/W | R/W | R/W | R/W | R/W | R/W | R/W | R/W |
| Reset | 0 | 0 | 0 | 0 | 0 | 0 | 0 | 0 |

B3h.7 **LCDPIN7**: P3.2 (SEG17) LCD/LED mode enable

B3h.6 **LCDPIN6**: P3.1 (SEG16) LCD/LED mode enable

B3h.5 **LCDPIN5**: P3.0 (SEG15) LCD/LED mode enable

B3h.4 **LCDPIN4**: P1.0 (SEG14) LCD/LED mode enable

B3h.3 **LCDPIN3**: P1.1 (SEG13) LCD/LED mode enable

B3h.2 **LCDPIN2**: P1.2 (SEG12) LCD/LED mode enable

B3h.1 **LCDPIN1**: P1.3~P1.6 (SEG11~8) LCD/LED mode enable.

Note: SEG9 and Touch Key CLD share the same pin. If this bit is set, the Touch Key function would be affected.

B3h.0 **LCDPIN0**: P17, P3.6~P3.4 (SEG7~4) LCD/LED mode enable

0: I/O mode
1: LCD/LED mode

| SFR D8h | Bit 7 | Bit 6 | Bit 5 | Bit 4 | Bit 3 | Bit 2 | Bit 1 | Bit 0 |
|---------------|---------|---------|-------|--------|--------|--------|--------|-------|
| CLKCON | SCKTYPE | FCKTYPE | – | STPPCK | STPFCK | SELFCK | CLKPSC | |
| R/W | R/W | R/W | – | R/W | R/W | R/W | R/W | |
| Reset | 0 | 0 | – | 0 | 0 | 0 | 1 | 1 |

D8h.7 **SCKTYPE:** Slow clock type. This bit can be changed only in Fast mode (SELFCK=1).

0: SRC, P2.1~P2.0 are I/O pins

1: SXT, P2.1~P2.0 are crystal pins

D8h.6 **FCKTYPE:** Fast clock type. This bit can be changed only in Slow mode (SELFCK=0).

0: FRC, P2.1~P2.0 are I/O pins

1: FXT, P2.1~P2.0 are crystal pins

| SFR BCh | Bit 7 | Bit 6 | Bit 5 | Bit 4 | Bit 3 | Bit 2 | Bit 1 | Bit 0 |
|--------------|-------|-------|-------|-------|-------|-------|-------|-------|
| SPCON | SPEN | MSTR | CPOL | CPHA | SSDIS | LSBF | SPCR | |
| R/W | R/W | R/W | R/W | R/W | R/W | R/W | R/W | |
| Reset | 0 | 0 | 0 | 0 | 0 | 0 | 0 | 0 |

BCh.7 **SPEN:** SPI enable

0: SPI disable

1: SPI enable, P1.7, P3.5, P3.6 are SPI functional pins.

BCh.3 **SSDIS:** SS pin disable

0: Enable SS pin, P3.4 is SPI chip selection input.

1: Disable SS pin

7.2 P3.7

P3.7 can be only used as Schmitt-trigger input or open-drain output, with pull-up resistor always enable. P3.7 pin is shared with RSTn, INT2 and Flash VPP function.

7.3 Port0 & P2.5~P2.2

These pins are shared with LCD/LED. If a Port0/P2.5~P2.2 pin is defined as I/O pin, it can be used as CMOS push-pull output or Schmitt-trigger input. The pin's pull up function is enable while SFR bit PxOE.n=0 and Px.n=1.

| Port0, P2.5~P2.2 pin function | PxOE.n | Px.n SFR data | Pin State | Resistor Pull-up | Digital Input |
|-------------------------------|--------|---------------|------------|------------------|---------------|
| Input | 0 | 0 | Hi-Z | N | Y |
| | 0 | 1 | Pull-up | Y | Y |
| CMOS Output | 1 | 0 | Drive Low | N | N |
| | 1 | 1 | Drive High | N | N |

Port0, P2.5~P2.2 I/O Pin Function Table

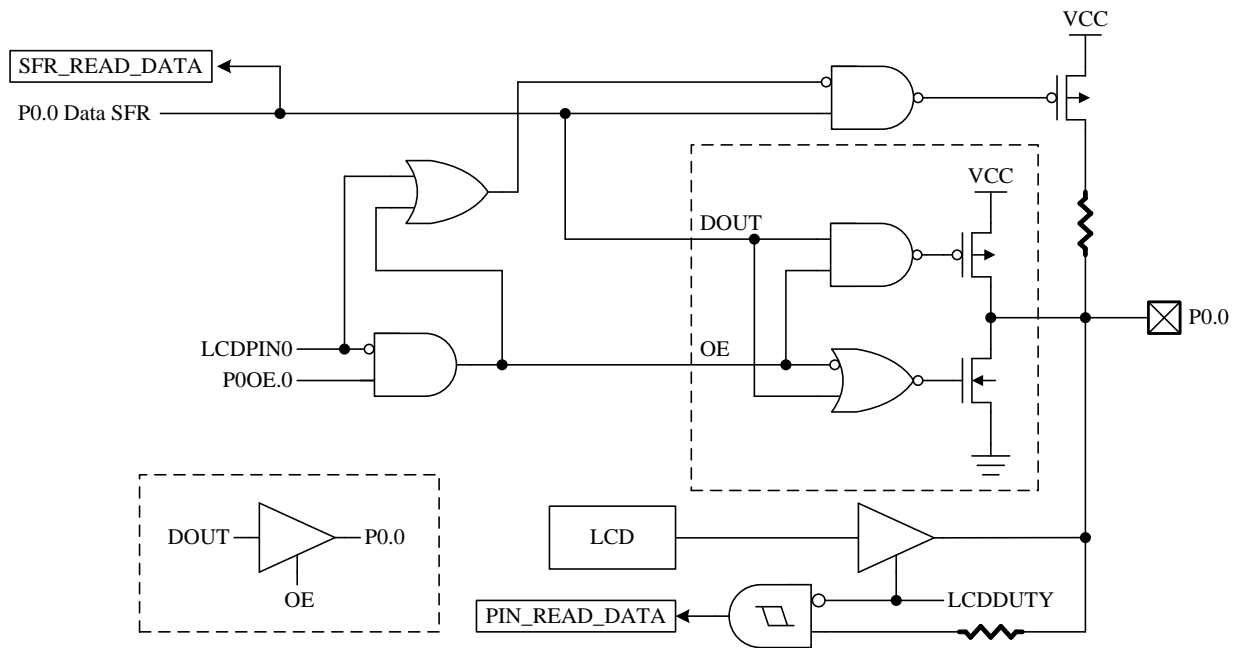
| Pin Name | Wake-up | LCD/LED | Others |
|----------|---------|---------|-----------------|
| P0.0 | | COM3 | |
| P0.1 | | COM2 | |
| P0.2 | | COM1 | |
| P0.3 | | COM0 | |
| P0.4 | | SEG0 | |
| P0.5 | | SEG1 | |
| P0.6 | | SEG2 | |
| P0.7 | | SEG3 | |
| P2.2 | | | PWM0B |
| P2.3 | | | PWM1B |
| P2.4 | | | |
| P2.5 | | | |
| P3.7 | Y | | INT2, RSTn, VPP |

Port0, P2.5~P2.2, P3.7 multi-function Table

The necessary SFR setting for Port0/Port2.5~P2.2 pin's alternative function is list below.

| Alternative Function | PxOE.n | Px.n SFR data | Pin State | other necessary SFR setting |
|----------------------|--------|---------------|-----------------------------|-----------------------------|
| COM0~COM3 | X | X | LCD/LED Waveform Output | LCDCON |
| SEG0~SEG3 | X | X | LCD/LED Waveform Output | LCDCON |
| PWM0B, PWM1B | 1 | X | PWM Output (CMOS Push-Pull) | PINMOD |

Mode Setting for Port0, P2.5~P2.2 Alternative Function Table


P0.0 Pin Structure

| SFR 80h | Bit 7 | Bit 6 | Bit 5 | Bit 4 | Bit 3 | Bit 2 | Bit 1 | Bit 0 |
|-----------|-------|-------|-------|-------|-------|-------|-------|-------|
| P0 | P0.7 | P0.6 | P0.5 | P0.4 | P0.3 | P0.2 | P0.1 | P0.0 |
| R/W | R/W | R/W | R/W | R/W | R/W | R/W | R/W | R/W |
| Reset | 1 | 1 | 1 | 1 | 1 | 1 | 1 | 1 |

80h.7~0 **P0:** Port0 data, also controls the P0.n pin's pull-up function. If the P0.n SFR data is "1" and the corresponding P0OE.n=0 (input mode), the pull-up is enabled.

| SFR A0h | Bit 7 | Bit 6 | Bit 5 | Bit 4 | Bit 3 | Bit 2 | Bit 1 | Bit 0 |
|-----------|-------|-------|-------|-------|-------|-------|-------|-------|
| P2 | P2.7 | P2.6 | P2.5 | P2.4 | P2.3 | P2.2 | P2.1 | P2.0 |
| R/W | R/W | R/W | R/W | R/W | R/W | R/W | R/W | R/W |
| Reset | 1 | 1 | 1 | 1 | 1 | 1 | 1 | 1 |

A0h.5~2 **P2.5~P2.2:** P2.5~P2.2 data, also controls the P2.n pin's pull-up function. If the P2.n SFR data is "1" and the corresponding P2OE.n=0 (input mode), the pull-up is enabled.

| SFR B0h | Bit 7 | Bit 6 | Bit 5 | Bit 4 | Bit 3 | Bit 2 | Bit 1 | Bit 0 |
|-----------|-------|-------|-------|-------|-------|-------|-------|-------|
| P3 | P3.7 | P3.6 | P3.5 | P3.4 | P3.3 | P3.2 | P3.1 | P3.0 |
| R/W | R/W | R/W | R/W | R/W | R/W | R/W | R/W | R/W |
| Reset | 1 | 1 | 1 | 1 | 1 | 1 | 1 | 1 |

B0h.7 **P3.7:** P3.7 data, also controls the P3.7 pin's I/O mode. If the P3.7 SFR data is "1", the P3.7 is assigned as Schmitt-trigger input mode; otherwise, it is assigned as open-drain output mode.

| SFR 91h | Bit 7 | Bit 6 | Bit 5 | Bit 4 | Bit 3 | Bit 2 | Bit 1 | Bit 0 |
|-------------|-------|-------|-------|-------|-------|-------|-------|-------|
| P0OE | P0OE | | | | | | | |
| R/W | R/W | | | | | | | |
| Reset | 0 | 0 | 0 | 0 | 0 | 0 | 0 | 0 |

91h.7~0 **P0OE**: Port0 CMOS Push-Pull output enable control
 0: Disable
 1: Enable

| SFR 93h | Bit 7 | Bit 6 | Bit 5 | Bit 4 | Bit 3 | Bit 2 | Bit 1 | Bit 0 |
|--------------|-------|-------|-------|--------|-------|--------|-------|-------|
| P2MOD | P2OE | | | P2MOD1 | | P2MOD0 | | |
| R/W | R/W | | | R/W | | R/W | | |
| Reset | 0 | 0 | 0 | 0 | 0 | 1 | 0 | 1 |

93h.7~4 **P2OE**: P2.5~P2.2 CMOS Push-Pull output enable control
 0: Disable
 1: Enable

| SFR A6h | Bit 7 | Bit 6 | Bit 5 | Bit 4 | Bit 3 | Bit 2 | Bit 1 | Bit 0 |
|---------------|---------|---------|---------|---------|-------|-------|-------|-------|
| PINMOD | PWM1AOE | PWM1BOE | PWM0AOE | PWM0BOE | TCOE | T2OE | - | - |
| R/W | R/W | R/W | R/W | R/W | R/W | R/W | - | - |
| Reset | 0 | 0 | 0 | 0 | 0 | 0 | - | - |

A6h.6 **PWM1BOE**: PWM1B signal output enable
 0: Disable PWM1B signal output to P2.3
 1: Enable PWM1B signal output to P2.3

A6h.4 **PWM0BOE**: PWM0B signal output enable
 0: Disable PWM0B signal output to P2.2
 1: Enable PWM0B signal output to P2.2

| SFR B1h | Bit 7 | Bit 6 | Bit 5 | Bit 4 | Bit 3 | Bit 2 | Bit 1 | Bit 0 |
|---------------|-------|---------|-------|-------|-------|---------|-------|-------|
| LCDCON | LCDON | LCDDUTY | - | - | - | LCDBRIT | | |
| R/W | R/W | R/W | - | - | - | R/W | | |
| Reset | 0 | 1 | - | - | - | 1 | 0 | 0 |

B1h.7 **LCDON**: LCD/LED enable bit
 0: LCD/LED disable
 1: LCD/LED enable, P0.7~P0.4 are LCD/LED Segment pins

B1h.6 **LCDDUTY**: LCD/LED duty select
 0: 1/3 duty, P0.3~P0.1 are LCD/LED Common pins, P0.0 is I/O pin
 1: 1/4 duty, P0.3~P0.0 are LCD/LED Common pins

8. Timers

Timer0, Timer1 and Timer2 are provided as standard 8051 compatible timer/counter. Compare to the traditional 12T 8051, the Chip's Timer0/1/2 use 2 System clock cycle as the time base unit. That is, in timer mode, these timers increase at every “2 System clock” rate; in counter mode, T0/T1/T2 pin input pulse must be wider than 2 System clock to be seen by this device. In addition to the standard 8051 timers function. The T0O pin can output the “Timer0 overflow divided by 64” signal, and the T2O pin can output the “Timer2 overflow divided by 2” signal. Timer3 is provided for a real-time clock count, when its time base is SXT.

8.1 Timer0/1

TCON and TMOD are used to set the mode of operation and to control the running and interrupt generation of the Timer0/1, with the timer/counter values stored in two pairs of 8-bit registers (TL0, TH0, and TL1, TH1).

| SFR 88h | Bit 7 | Bit 6 | Bit 5 | Bit 4 | Bit 3 | Bit 2 | Bit 1 | Bit 0 |
|-------------|-------|-------|-------|-------|-------|-------|-------|-------|
| TCON | TF1 | TR1 | TF0 | TR0 | IE1 | IT1 | IE0 | IT0 |
| R/W | R/W | R/W | R/W | R/W | R/W | R/W | R/W | R/W |
| Reset | 0 | 0 | 0 | 0 | 0 | 0 | 0 | 0 |

- 88h.7 **TF1:** Timer1 overflow flag
Set by H/W when Timer/Counter 1 overflows.
Cleared by H/W when CPU vectors into the interrupt service routine.
- 88h.6 **TR1:** Timer1 run control
0: Timer1 stops
1: Timer1 runs
- 88h.5 **TF0:** Timer0 overflow flag
Set by H/W when Timer/Counter 0 overflows.
Cleared by H/W when CPU vectors into the interrupt service routine.
- 88h.4 **TR0:** Timer0 run control
0: Timer0 stops
1: Timer0 runs

| SFR 89h | Bit 7 | Bit 6 | Bit 5 | Bit 4 | Bit 3 | Bit 2 | Bit 1 | Bit 0 |
|-------------|-------|-------|-------|-------|-------|-------|-------|-------|
| TMOD | GATE1 | CT1N | TMOD1 | | GATE0 | CT0N | TMOD0 | |
| R/W | R/W | R/W | R/W | | R/W | R/W | R/W | |
| Reset | 0 | 0 | 0 | 0 | 0 | 0 | 0 | 0 |

- 89h.7 **GATE1:** Timer1 gating control bit
0: Timer1 enable when TR1 bit is set
1: Timer1 enable only while the INT1 pin is high and TR1 bit is set
- 89h.6 **CT1N:** Timer1 Counter/Timer select bit
0: Timer mode, Timer1 data increases at 2 System clock cycle rate
1: Counter mode, Timer1 data increases at T1 pin's negative edge
- 89h.5~4 **TMOD1:** Timer1 mode select
00: 8-bit timer/counter (TH1) and 5-bit prescaler (TL1)
01: 16-bit timer/counter
10: 8-bit auto-reload timer/counter (TL1). Reloaded from TH1 at overflow.
11: Timer1 stops
- 89h.3 **GATE0:** Timer0 gating control bit
0: Timer0 enable when TR0 bit is set
1: Timer0 enable only while the INT0 pin is high and TR0 bit is set
- 89h.2 **CT0N:** Timer0 Counter/Timer select bit
0: Timer mode, Timer0 data increases at 2 System clock cycle rate
1: Counter mode, Timer0 data increases at T0 pin's negative edge

- 89h.1~0 **TMOD0:** Timer0 mode select
 00: 8-bit timer/counter (TH0) and 5-bit prescaler (TL0)
 01: 16-bit timer/counter
 10: 8-bit auto-reload timer/counter (TL0). Reloaded from TH0 at overflow.
 11: TL0 is an 8-bit timer/counter. TH0 is an 8-bit timer/counter using Timer1's TR1 and TF1 bits.

| SFR 8Ah | Bit 7 | Bit 6 | Bit 5 | Bit 4 | Bit 3 | Bit 2 | Bit 1 | Bit 0 |
|------------|-------|-------|-------|-------|-------|-------|-------|-------|
| TL0 | TL0 | | | | | | | |
| R/W | R/W | | | | | | | |
| Reset | 0 | 0 | 0 | 0 | 0 | 0 | 0 | 0 |

8Ah.7~0 **TL0:** Timer0 data low byte

| SFR 8Bh | Bit 7 | Bit 6 | Bit 5 | Bit 4 | Bit 3 | Bit 2 | Bit 1 | Bit 0 |
|------------|-------|-------|-------|-------|-------|-------|-------|-------|
| TL1 | TL1 | | | | | | | |
| R/W | R/W | | | | | | | |
| Reset | 0 | 0 | 0 | 0 | 0 | 0 | 0 | 0 |

8Bh.7~0 **TL1:** Timer1 data low byte

| SFR 8Ch | Bit 7 | Bit 6 | Bit 5 | Bit 4 | Bit 3 | Bit 2 | Bit 1 | Bit 0 |
|------------|-------|-------|-------|-------|-------|-------|-------|-------|
| TH0 | TH0 | | | | | | | |
| R/W | R/W | | | | | | | |
| Reset | 0 | 0 | 0 | 0 | 0 | 0 | 0 | 0 |

8Ch.7~0 **TH0:** Timer0 data high byte

| SFR 8Dh | Bit 7 | Bit 6 | Bit 5 | Bit 4 | Bit 3 | Bit 2 | Bit 1 | Bit 0 |
|------------|-------|-------|-------|-------|-------|-------|-------|-------|
| TH1 | TH1 | | | | | | | |
| R/W | R/W | | | | | | | |
| Reset | 0 | 0 | 0 | 0 | 0 | 0 | 0 | 0 |

8Dh.7~0 **TH1:** Timer1 data high byte

Note: also refer to Section 6 for more information about Timer0/1 Interrupt enable and priority.

Note: also refer to Section 7 for more information about T00 pin output setting.

8.2 Timer2

Timer2 is controlled through the TCON2 register with the low and high bytes of Timer/Counter 2 stored in TL2 and TH2 and the low and high bytes of the Timer2 reload/capture registers stored in RCAP2L and RCAP2H.

| SFR C8h | Bit 7 | Bit 6 | Bit 5 | Bit 4 | Bit 3 | Bit 2 | Bit 1 | Bit 0 |
|--------------|-------|-------|-------|-------|-------|-------|-------|--------|
| T2CON | TF2 | EXF2 | RCLK | TCLK | EXEN2 | TR2 | CT2N | CPRL2N |
| R/W | R/W | R/W | R/W | R/W | R/W | R/W | R/W | R/W |
| Reset | 0 | 0 | 0 | 0 | 0 | 0 | 0 | 0 |

C8h.7 **TF2:** Timer2 overflow flag

Set by H/W when Timer/Counter 2 overflows unless RCLK=1 or TCLK=1. This bit must be cleared by S/W.

C8h.6 **EXF2:** T2EX interrupt pin falling edge flag

Set when a capture or a reload is caused by a negative transition on T2EX pin if EXEN2=1. This bit must be cleared by S/W.

C8h.5 **RCLK:** UART receive clock control bit

- 0: Use Timer1 overflow as receive clock for serial port in mode 1 or 3
 1: Use Timer2 overflow as receive clock for serial port in mode 1 or 3

- C8h.4 **TCLK:** UART transmit clock control bit
 0: Use Timer1 overflow as transmit clock for serial port in mode 1 or 3
 1: Use Timer2 overflow as transmit clock for serial port in mode 1 or 3
- C8h.3 **EXEN2:** T2EX pin enable
 0: T2EX pin disable
 1: T2EX pin enable, it cause a capture or reload when a negative transition on T2EX pin is detected if RCLK=TCLK=0
- C8h.2 **TR2:** Timer2 run control
 0: Timer2 stops
 1: Timer2 runs
- C8h.1 **CT2N:** Timer2 Counter/Timer select bit
 0: Timer mode, Timer2 data increases at 2 System clock cycle rate
 1: Counter mode, Timer2 data increases at T2 pin's negative edge
- C8h.0 **CPRL2N:** Timer2 Capture/Reload control bit
 0: Reload mode, auto-reload on Timer2 overflows or negative transitions on T2EX pin if EXEN2=1
 1: Capture mode, capture on negative transitions on T2EX pin if EXEN2=1
 If RCLK=1 or TCLK=1, CPRL2N is ignored and timer is forced to auto-reload on Timer2 overflow

| SFR CAh | Bit 7 | Bit 6 | Bit 5 | Bit 4 | Bit 3 | Bit 2 | Bit 1 | Bit 0 |
|--------------|-------|-------|-------|-------|-------|-------|-------|-------|
| RCP2L | RCP2L | | | | | | | |
| R/W | R/W | | | | | | | |
| Reset | 0 | 0 | 0 | 0 | 0 | 0 | 0 | 0 |

CAh.7~0 **RCP2L:** Timer2 reload/capture data low byte

| SFR CBh | Bit 7 | Bit 6 | Bit 5 | Bit 4 | Bit 3 | Bit 2 | Bit 1 | Bit 0 |
|--------------|-------|-------|-------|-------|-------|-------|-------|-------|
| RCP2H | RCP2H | | | | | | | |
| R/W | R/W | | | | | | | |
| Reset | 0 | 0 | 0 | 0 | 0 | 0 | 0 | 0 |

CBh.7~0 **RCP2H:** Timer2 reload/capture data high byte

| SFR CCh | Bit 7 | Bit 6 | Bit 5 | Bit 4 | Bit 3 | Bit 2 | Bit 1 | Bit 0 |
|------------|-------|-------|-------|-------|-------|-------|-------|-------|
| TL2 | TL2 | | | | | | | |
| R/W | R/W | | | | | | | |
| Reset | 0 | 0 | 0 | 0 | 0 | 0 | 0 | 0 |

CCh.7~0 **TL2:** Timer2 data low byte

| SFR CDh | Bit 7 | Bit 6 | Bit 5 | Bit 4 | Bit 3 | Bit 2 | Bit 1 | Bit 0 |
|------------|-------|-------|-------|-------|-------|-------|-------|-------|
| TH2 | TH2 | | | | | | | |
| R/W | R/W | | | | | | | |
| Reset | 0 | 0 | 0 | 0 | 0 | 0 | 0 | 0 |

CDh.7~0 **TH2:** Timer2 data high byte

Note: also refer to Section 6 for more information about Timer2 Interrupt enable and priority.

Note: also refer to Section 7 for more information about T2O pin output setting.

8.3 Timer3

Timer3 of the Chip works as a time-base counter, which generates interrupts periodically. It generates an interrupt flag (TF3) with the clock divided by 32768, 16384, 8192, or 128 depending on the TM3PSC bits. The Timer3 clock source is Slow clock (SRC or SXT). This is ideal for real-time-clock (RTC) functionality when the clock source is SXT.

| SFR 94h | Bit 7 | Bit 6 | Bit 5 | Bit 4 | Bit 3 | Bit 2 | Bit 1 | Bit 0 |
|---------------|--------|--------|--------|-------|-------|-------|--------|-------|
| OPTION | UART1W | MODE3V | WDTPSC | | ADCKS | | TM3PSC | |
| R/W | R/W | R/W | R/W | | R/W | | R/W | |
| Reset | 0 | 0 | 0 | 0 | 0 | 0 | 0 | 0 |

94h.1~0 **TM3PSC:** Timer3 interrupt rate control select
 00: Interrupt rate is 32768 Slow clock cycle
 01: Interrupt rate is 16384 Slow clock cycle
 10: Interrupt rate is 8192 Slow clock cycle
 11: Interrupt rate is 128 Slow clock cycle

| SFR 95h | Bit 7 | Bit 6 | Bit 5 | Bit 4 | Bit 3 | Bit 2 | Bit 1 | Bit 0 |
|---------------|-------|-------|-------|-------|-------|-------|-------|-------|
| INTFLG | LVD | – | TKIF | ADIF | – | IE2 | P1IF | TF3 |
| R/W | R | – | R/W | R/W | – | R/W | R/W | R/W |
| Reset | – | – | 0 | 0 | – | 0 | 0 | 0 |

95h.0 **TF3:** Timer 3 interrupt flag
 Set by H/W when Timer3 reaches TM3PSC setting cycles. It is cleared automatically when the program performs the interrupt service routine. S/W can write FEh to INTFLG to clear this bit. (*Note2*)

Note2: S/W can write 0 to clear a flag in the INTFLG, but writing 1 has no effect.

| SFR F8h | Bit 7 | Bit 6 | Bit 5 | Bit 4 | Bit 3 | Bit 2 | Bit 1 | Bit 0 |
|-------------|--------|--------|-------|-------|---------|-------|-------|-------|
| AUX1 | CLRWDT | CLRTM3 | TKSOC | ADSOC | CLRPWM0 | – | – | DPSEL |
| R/W | R/W | R/W | R/W | R/W | R/W | – | – | R/W |
| Reset | 0 | 0 | 0 | 0 | 0 | – | – | 0 |

F8h.6 **CLRTM3:** Set to clear Timer3, H/W auto clear it at next clock cycle

Note: also refer to Section 6 for more information about Timer3 Interrupt enable and priority.

8.4 T0O and T2O Output Control

This device can generate various frequency waveform pin output (in CMOS or Open-Drain format) for Buzzer. The T0O and T2O waveform is divided by Timer0/Timer2 overflow signal. The T0O waveform is Timer0 overflow divided by 64, and T2O waveform is Timer2 overflow divided by 2. User can control their frequency by Timers auto reload speed. Set T0OE and T2OE SFRs can output these waveforms.

| SFR A6h | Bit 7 | Bit 6 | Bit 5 | Bit 4 | Bit 3 | Bit 2 | Bit 1 | Bit 0 |
|---------------|---------|---------|---------|---------|-------|-------|-------|-------|
| PINMOD | PWM1AOE | PWM1BOE | PWM0AOE | PWM0BOE | TCOE | T2OE | – | – |
| R/W | R/W | R/W | R/W | R/W | R/W | R/W | – | – |
| Reset | 0 | 0 | 0 | 0 | 0 | 0 | – | – |

A6h.2 **T2OE:** Timer2 signal output (T2O) control
 0: Disable Timer2 overflow divided by 2 output to P1.0
 1: Enable Timer2 overflow divided by 2 output to P1.0

| SFR A5h | Bit 7 | Bit 6 | Bit 5 | Bit 4 | Bit 3 | Bit 2 | Bit 1 | Bit 0 |
|---------------|-------|-------|--------|-------|--------|-------|--------|-------|
| P3MODH | T0OE | – | P3MOD6 | | P3MOD5 | | P3MOD4 | |
| R/W | R/W | – | R/W | | R/W | | R/W | |
| Reset | 0 | – | 0 | 0 | 0 | 0 | 0 | 0 |

A5h.7 **T0OE:** Timer0 signal output (T0O) control
 0: Disable Timer0 overflow divided by 64 output to P3.4
 1: Enable Timer0 overflow divided by 64 output to P3.4

9. UART

The UART uses SCON and SBUF SFRs. SCON is the control register, SBUF is the data register. Data is written to SBUF for transmission and SBUF is read to obtain received data. The received data and transmitted data registers are completely independent. In addition to standard 8051's full duplex mode, this Chip also provides one wire mode. If the UART1W bit is set, both transmit and receive data use P3.1 pin.

| SFR 87h | Bit 7 | Bit 6 | Bit 5 | Bit 4 | Bit 3 | Bit 2 | Bit 1 | Bit 0 |
|-------------|-------|-------|-------|-------|-------|-------|-------|-------|
| PCON | SMOD | – | – | – | GF1 | GF0 | PD | IDL |
| R/W | R/W | – | – | – | R/W | R/W | R/W | R/W |
| Reset | 0 | – | – | – | 0 | 0 | 0 | 0 |

87h.7 **SMOD:** UART double baud rate control bit
 0: Disable UART double baud rate
 1: Enable UART double baud rate

| SFR 94h | Bit 7 | Bit 6 | Bit 5 | Bit 4 | Bit 3 | Bit 2 | Bit 1 | Bit 0 |
|---------------|--------|--------|--------|-------|-------|-------|--------|-------|
| OPTION | UART1W | MODE3V | WDTpsc | | ADCKs | | TM3Psc | |
| R/W | R/W | R/W | R/W | | R/W | | R/W | |
| Reset | 0 | 0 | 0 | 0 | 0 | 0 | 0 | 0 |

94h.7 **UART1W:** One wire UART mode enable, both TXD/RXD use P3.1 pin
 0: Disable one wire UART mode
 1: Enable one wire UART mode

| SFR 98h | Bit 7 | Bit 6 | Bit 5 | Bit 4 | Bit 3 | Bit 2 | Bit 1 | Bit 0 |
|-------------|-------|-------|-------|-------|-------|-------|-------|-------|
| SCON | SM0 | SM1 | SM2 | REN | TB8 | RB8 | TI | RI |
| R/W | R/W | R/W | R/W | R/W | R/W | R/W | R/W | R/W |
| Reset | 0 | 0 | 0 | 0 | 0 | 0 | 0 | 0 |

98h.7~6 **SM0,SM1:** Serial port mode select bit 0,1
 00: Mode0: 8 bit shift register, Baud Rate= $F_{SYSCLK}/2$
 01: Mode1: 8 bit UART, Baud Rate is variable
 10: Mode2: 9 bit UART, Baud Rate= $F_{SYSCLK}/32$ or $/64$
 11: Mode3: 9 bit UART, Baud Rate is variable

98h.5 **SM2:** Serial port mode select bit 2
 SM2 enables multiprocessor communication over a single serial line and modifies the above as follows. In Modes 2 & 3, if SM2 is set then the received interrupt will not be generated if the received ninth data bit is 0. In Mode 1, the received interrupt will not be generated unless a valid stop bit is received. In Mode 0, SM2 should be 0.

98h.4 **REN:** UART reception enable
 0: Disable reception
 1: Enable reception

98h.3 **TB8:** Transmit Bit 8, the ninth bit to be transmitted in Mode 2 and 3

98h.2 **RB8:** Receive Bit 8, contains the ninth bit that was received in Mode 2 and 3 or the stop bit in Mode 1 if SM2=0

98h.1 **TI:** Transmit interrupt flag
 Set by H/W at the end of the eighth bit in Mode 0, or at the beginning of the stop bit in other modes. Must be cleared by S/W.

98h.0 **RI:** Receive interrupt flag
 Set by H/W at the end of the eighth bit in Mode 0, or at the sampling point of the stop bit in other modes. Must be cleared by S/W.

| SFR 99h | Bit 7 | Bit 6 | Bit 5 | Bit 4 | Bit 3 | Bit 2 | Bit 1 | Bit 0 |
|-------------|-------|-------|-------|-------|-------|-------|-------|-------|
| SBUF | SBUF | | | | | | | |
| R/W | R/W | | | | | | | |
| Reset | – | – | – | – | – | – | – | – |

99h.7~0 **SBUF**: UART transmit and receive data. Transmit data is written to this location and receive data is read from this location, but the paths are independent.

F_{SYSCLK} denotes System clock frequency.

- Mode 0:
Baud Rate= $F_{SYSCLK}/2$
- Mode 1, 3: if using Timer1 auto reload mode
Baud Rate= $(SMOD+1) \times F_{SYSCLK} / (32 \times 2 \times (256 - TH1))$
- Mode 1, 3: if using Timer2
Baud Rate=Timer2 overflow rate/16= $F_{SYSCLK} / (32 \times (65536 - RCP2H, RCP2L))$
- Mode 2:
Baud Rate= $(SMOD+1) \times F_{SYSCLK}/64$

Note: also refer to Section 6 for more information about UART Interrupt enable and priority.

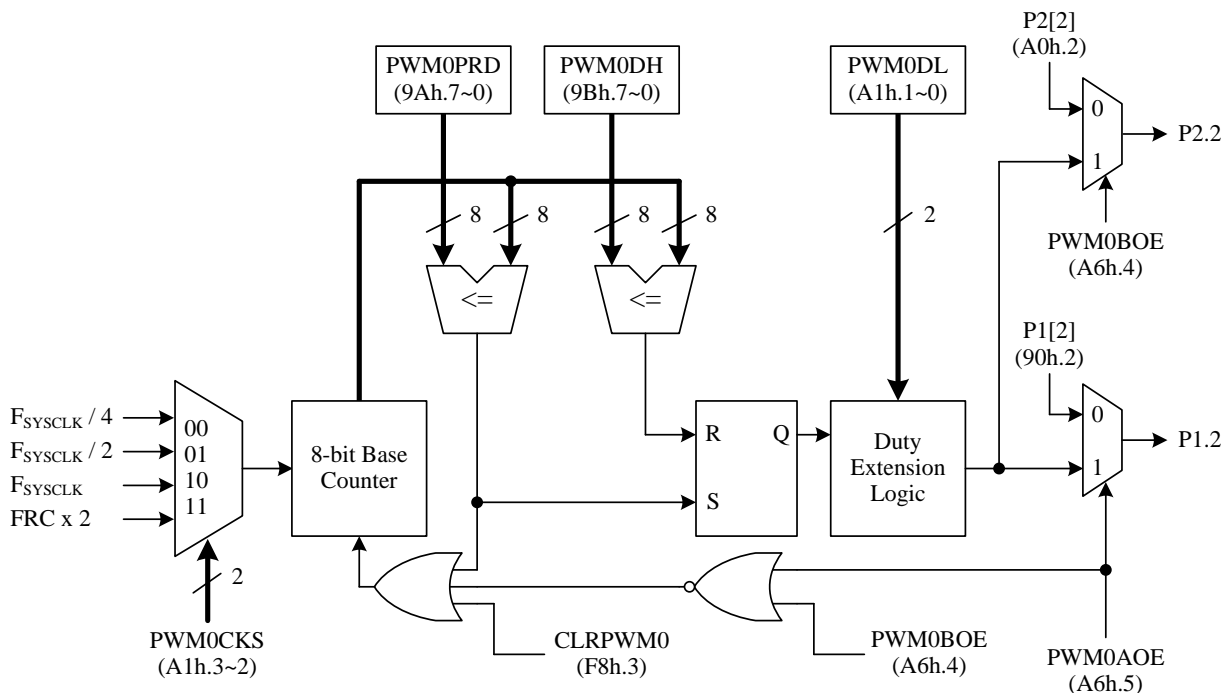
Note: also refer to Section 8 for more information about how Timer2 controls UART clock.

10. PWMs

The Chip has two independent PWM modules, PWM0 and PWM1. Each PWM module's waveform signal can output to two different pins. For example, user can select PWM0 output to P1.2 pin (PWM0A) or P2.2 pin (PWM0B) by PINMOD SFR setting. The PWM can generate a fixed frequency waveform with 1024 duty resolution on the basis of the PWM clock. The PWM clock can select FRC double frequency (FRCx2) or F_{SYSCLK} divided by 1, 2, or 4 as its clock source. A spread LSB technique allows PWM to run its frequency at the "PWM clock divided by 256" instead of at the "PWM clock divided by 1024", which means the PWM is four times faster than normal. The advantage of a higher PWM frequency is that the post RC filter can transform the PWM signal to a more stable DC voltage level.

The PWM output signal resets to a low level whenever the 8-bit base counter matches the 8-bit MSB of the PWM duty register. When the base counter rolls over, the 2-bit LSB of the PWM duty register decides whether to set the PWM output signal high immediately or set it high after one clock cycle delay. The PWM period can be set by writing the period value to the 8-bit PWM period register.

The pin mode SFR controls the PWM output waveform format. Mode1 makes the PWM open drain output and Mode2 makes the PWM CMOS push-pull output. (*see section 7*)



PWM Structure

| SFR 9Ah | Bit 7 | Bit 6 | Bit 5 | Bit 4 | Bit 3 | Bit 2 | Bit 1 | Bit 0 |
|----------------|---------|-------|-------|-------|-------|-------|-------|-------|
| PWM0PRD | PWM0PRD | | | | | | | |
| R/W | R/W | | | | | | | |
| Reset | 1 | 1 | 1 | 1 | 1 | 1 | 1 | 1 |

9Ah.7~0 **PWM0PRD**: PWM0 8-bit period register

| SFR 9Bh | Bit 7 | Bit 6 | Bit 5 | Bit 4 | Bit 3 | Bit 2 | Bit 1 | Bit 0 |
|---------------|--------|-------|-------|-------|-------|-------|-------|-------|
| PWM0DH | PWM0DH | | | | | | | |
| R/W | R/W | | | | | | | |
| Reset | 1 | 0 | 0 | 0 | 0 | 0 | 0 | 0 |

9Bh.7~0 **PWM0DH**: bits 9~2 of the PWM0 10-bit duty register

| SFR 9Ch | Bit 7 | Bit 6 | Bit 5 | Bit 4 | Bit 3 | Bit 2 | Bit 1 | Bit 0 |
|----------------|---------|-------|-------|-------|-------|-------|-------|-------|
| PWM1PRD | PWM1PRD | | | | | | | |
| R/W | R/W | | | | | | | |
| Reset | 1 | 1 | 1 | 1 | 1 | 1 | 1 | 1 |

9Ch.7~0 **PWM1PRD**: PWM1 8-bit period register

| SFR 9Dh | Bit 7 | Bit 6 | Bit 5 | Bit 4 | Bit 3 | Bit 2 | Bit 1 | Bit 0 |
|---------------|--------|-------|-------|-------|-------|-------|-------|-------|
| PWM1DH | PWM1DH | | | | | | | |
| R/W | R/W | | | | | | | |
| Reset | 1 | 0 | 0 | 0 | 0 | 0 | 0 | 0 |

9Dh.7~0 **PWM1DH**: bits 9~2 of the PWM1 10-bit duty register

| SFR A1h | Bit 7 | Bit 6 | Bit 5 | Bit 4 | Bit 3 | Bit 2 | Bit 1 | Bit 0 |
|---------------|---------|-------|--------|-------|---------|-------|--------|-------|
| PWMCON | PWM1CKS | | PWM1DL | | PWM0CKS | | PWM0DL | |
| R/W | R/W | | R/W | | R/W | | R/W | |
| Reset | 1 | 0 | 0 | 0 | 1 | 0 | 0 | 0 |

A1h.7~6 **PWM1CKS**: PWM1 clock source

- 00: F_{SYSClk}/4
- 01: F_{SYSClk}/2
- 10: F_{SYSClk}
- 11: FRCx2

A1h.5~4 **PWM1DL**: bits 1~0 of the PWM1 10-bit duty register

A1h.3~2 **PWM0CKS**: PWM0 clock source

- 00: F_{SYSClk}/4
- 01: F_{SYSClk}/2
- 10: F_{SYSClk}
- 11: FRCx2

A1h.1~0 **PWM0DL**: bits 1~0 of the PWM0 10-bit duty register

| SFR A6h | Bit 7 | Bit 6 | Bit 5 | Bit 4 | Bit 3 | Bit 2 | Bit 1 | Bit 0 |
|---------------|---------|---------|---------|---------|-------|-------|-------|-------|
| PINMOD | PWM1AOE | PWM1BOE | PWM0AOE | PWM0BOE | TCOE | T2OE | – | – |
| R/W | R/W | R/W | R/W | R/W | R/W | R/W | – | – |
| Reset | 0 | 0 | 0 | 0 | 0 | 0 | – | – |

A6h.7 **PWM1AOE**: PWM1A signal output enable

- 0: Disable PWM1A signal output to P1.3
- 1: Enable PWM1A signal output to P1.3

A6h.6 **PWM1BOE**: PWM1B signal output enable (PWM1A and PWM1B signals are identical)

- 0: Disable PWM1B signal output to P2.3
- 1: Enable PWM1B signal output to P2.3

A6h.5 **PWM0AOE**: PWM0A signal output enable

- 0: Disable PWM0A signal output to P1.2
- 1: Enable PWM0A signal output to P1.2

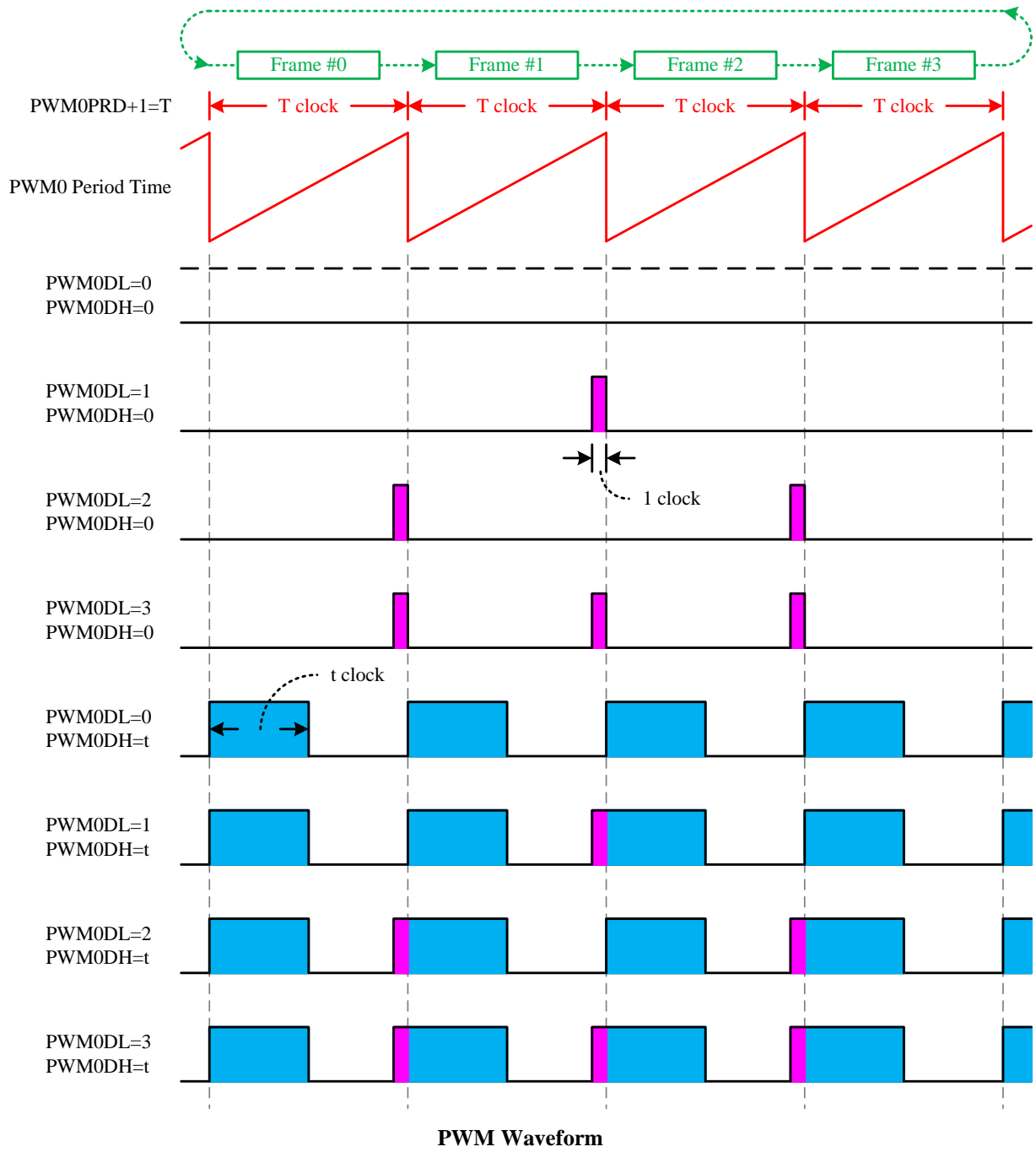
A6h.4 **PWM0BOE**: PWM0B signal output enable (PWM0A and PWM0B signals are identical)

- 0: Disable PWM0B signal output to P2.2
- 1: Enable PWM0B signal output to P2.2

| SFR F8h | Bit 7 | Bit 6 | Bit 5 | Bit 4 | Bit 3 | Bit 2 | Bit 1 | Bit 0 |
|-------------|--------|--------|-------|-------|---------|-------|-------|-------|
| AUX1 | CLRWDT | CLRMT3 | TKSOC | ADSOC | CLRPWM0 | – | – | DPSEL |
| R/W | R/W | R/W | R/W | R/W | R/W | – | – | R/W |
| Reset | 0 | 0 | 0 | 0 | 0 | – | – | 0 |

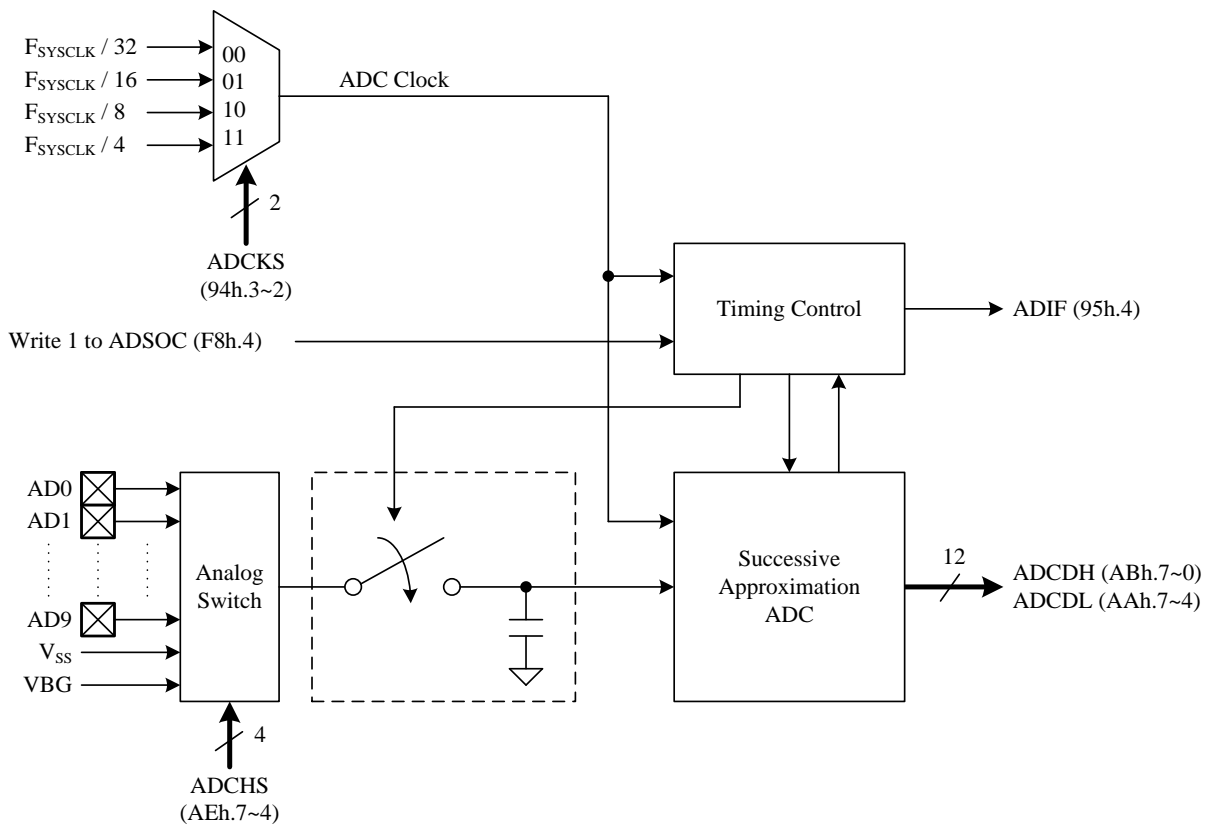
F8h.3 **CLRPWM0**: PWM0 clear enable

- 0: PWM0 is running
- 1: PWM0 is cleared and held



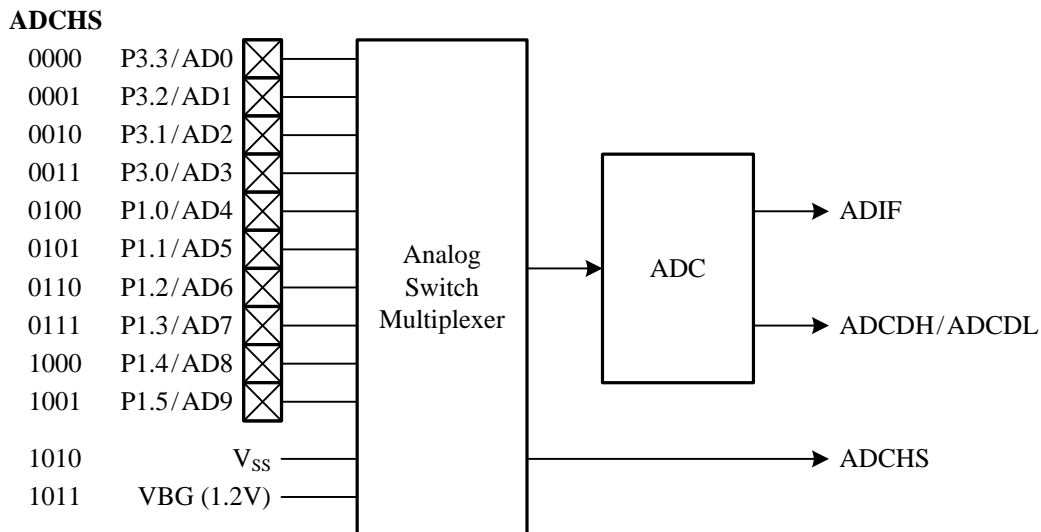
11. ADC

The Chip offers a 12-bit ADC consisting of a 12-channel analog input multiplexer, control register, clock generator, 12-bit successive approximation register, and output data register. To use the ADC, set the ADCKS bit first to choose a proper ADC clock frequency, which must be less than 1 MHz. Then, launch the ADC conversion by setting the ADSOC bit, and H/W will automatic clear it at the end of the conversion. After the end of the conversion, H/W will set the ADIF bit and generate an interrupt if an ADC interrupt is enabled. The ADIF bit can be cleared by writing 0 to this bit or 1 to the ADSOC bit. Because certain channels are shared with the Touch Key, the ADC channel must be configured differently from the Touch Key channel to avoid affecting the channel input sensitivity. The analog input level must remain within the range from V_{SS} to V_{CC} .



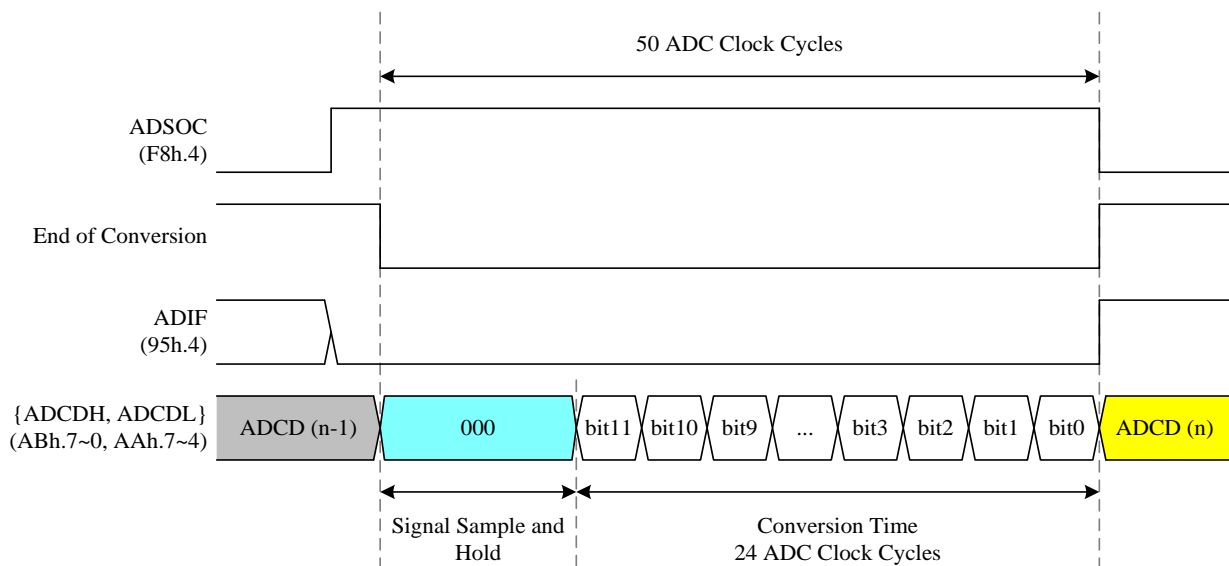
11.1 ADC Channels

The 12-bit ADC has a total of 12 channels, designated AD0~AD9, V_{SS}, and VBG. The ADC channels are connected to the analog input pins via the analog switch multiplexer. The analog switch multiplexer is controlled by the ADCHS register. The Chip offers up to 10 analog input pins, designated AD0~AD9. In addition, there are two analog input pins for voltage reference connections. When ADCHS is set to 1010b, the analog input will connect to V_{SS}, and when ADCHS is set to 1011b, the analog input will connect to VBG. VBG is an internal voltage reference at 1.2V.



11.2 ADC Conversion Time

The conversion time is the time required for the ADC to convert the voltage. The ADC requires two ADC clock cycles to convert each bit and several clock cycles to sample and hold the input voltage. A total of 50 ADC clock cycles are required to perform the complete conversion. When the conversion time is complete, the ADIF interrupt flag is set by H/W, and the result is loaded into the ADCDH and ADCDL registers of the 12-bit A/D result.



| SFR 94h | Bit 7 | Bit 6 | Bit 5 | Bit 4 | Bit 3 | Bit 2 | Bit 1 | Bit 0 |
|---------------|--------|--------|--------|-------|-------|-------|--------|-------|
| OPTION | UART1W | MODE3V | WDTOSC | | ADCKS | | TM3PSC | |
| R/W | R/W | R/W | R/W | | R/W | | R/W | |
| Reset | 0 | 0 | 0 | 0 | 0 | 0 | 0 | 0 |

94h.3~2 **ADCKS**: ADC clock rate select

00: $F_{SYSCLK}/32$

01: $F_{SYSCLK}/16$

10: $F_{SYSCLK}/8$

11: $F_{SYSCLK}/4$

| SFR 95h | Bit 7 | Bit 6 | Bit 5 | Bit 4 | Bit 3 | Bit 2 | Bit 1 | Bit 0 |
|---------------|-------|-------|-------|-------|-------|-------|-------|-------|
| INTFLG | LVD | – | TKIF | ADIF | – | IE2 | PIIF | TF3 |
| R/W | R | – | R/W | R/W | – | R/W | R/W | R/W |
| Reset | – | – | 0 | 0 | – | 0 | 0 | 0 |

95h.4 **ADIF**: ADC interrupt flag

Set by H/W at the end of conversion. S/W writes EFh to INTFLG or sets the ADSOC bit to clear this flag.

| SFR AAh | Bit 7 | Bit 6 | Bit 5 | Bit 4 | Bit 3 | Bit 2 | Bit 1 | Bit 0 |
|---------------|-------|-------|-------|-------|-------|-------|-------|-------|
| ADTKDT | ADCDL | | | | TKEOC | TKOVF | TKDH | |
| R/W | R | | | | R | R | R | |
| Reset | – | – | – | – | – | – | – | – |

AAh.7~4 **ADCDL**: ADC data bit 3~0

| SFR ABh | Bit 7 | Bit 6 | Bit 5 | Bit 4 | Bit 3 | Bit 2 | Bit 1 | Bit 0 |
|--------------|-------|-------|-------|-------|-------|-------|-------|-------|
| ADCDH | ADCDH | | | | | | | |
| R/W | R | | | | | | | |
| Reset | – | – | – | – | – | – | – | – |

ABh.7~0 **ADCDH**: ADC data bit 11~4

| SFR AEh | Bit 7 | Bit 6 | Bit 5 | Bit 4 | Bit 3 | Bit 2 | Bit 1 | Bit 0 |
|--------------|-------|-------|-------|-------|-------|-------|-------|-------|
| CHSEL | ADCHS | | | | TKCHS | | | |
| R/W | R/W | | | | R/W | | | |
| Reset | 1 | 1 | 1 | 1 | 1 | 1 | 1 | 1 |

AEh.7~4 **ADCHS**: ADC channel select

0000: ADC0 (P3.3)

0001: ADC1 (P3.2)

0010: ADC2 (P3.1)

0011: ADC3 (P3.0)

0100: ADC4 (P1.0)

0101: ADC5 (P1.1)

0110: ADC6 (P1.2)

0111: ADC7 (P1.3)

1000: ADC8 (P1.4)

1001: ADC9 (P1.5)

1010: V_{SS}

1011: VBG (internal Bandgap reference voltage)

11xx: Undefined

Note: FW must turn off Bandgap to obtain Tiny Current (ADCHS ≠ 0b1011)

| SFR F8h | Bit 7 | Bit 6 | Bit 5 | Bit 4 | Bit 3 | Bit 2 | Bit 1 | Bit 0 |
|-------------|--------|--------|-------|-------|---------|-------|-------|-------|
| AUX1 | CLRWDT | CLRTM3 | TKSOC | ADSOC | CLRPWM0 | – | – | DPSEL |
| R/W | R/W | R/W | R/W | R/W | R/W | – | – | R/W |
| Reset | 0 | 0 | 0 | 0 | 0 | – | – | 0 |

F8h.4 **ADSOC: Start ADC conversion**

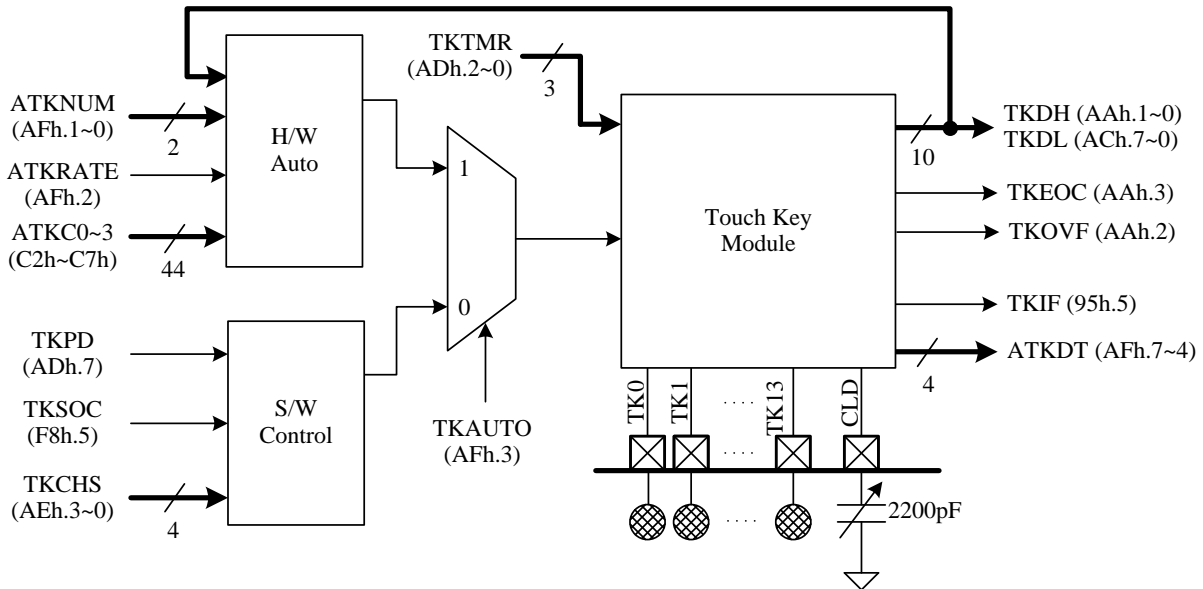
Set the ADSOC bit to start ADC conversion, and the ADSOC bit will be cleared by H/W at the end of conversion. S/W can also write 0 to clear this flag.

Note: also refer to Section 6 for more information about ADC Interrupt enable and priority.

Note: also refer to Section 7 for more information about ADC pin input setting.

12. Touch Key (F5278 Only)

The Touch Key offers an easy, simple and reliable method to implement finger touch detection. During the key scan operation, it only requires an external capacitor component on CLD pin. The device support 14 channels touch key detection with S/W manual mode and H/W Auto Mode (ATK). Only one mode can be active at a time.



Touch Key Structure

To use the Touch Key, user must setup the pin mode correctly as below table. Setting Mode0 for an Idling Touch Key pin can pull up the pin and reduce the Key's mutual interference. While a TK pin is under scanning, user must set the pin to Mode3 to disable the pull up resistor.

| P1MODx/P3MODx setting for Touch Key | TK0~TK3 | TK4~TK8 | TK9~TK13 | CLD |
|---------------------------------------|-------------|-------------|-----------|-------------|
| Pin is not Touch Key | Mode0/1/2/3 | Mode0/1/2/3 | Mode0/1/2 | Mode0/1/2/3 |
| Pin is Touch Key, Idling | Mode0 | Mode0 | Mode0 | Mode3 |
| Pin is Touch Key, S/W Scanning | Mode3 | Mode3 | Mode3 | Mode3 |
| Pin is Touch Key, H/W Auto Scan (ATK) | Mode0 | — | — | Mode3 |

S/W Manual Mode Touch Key Detection

All Touch Key (TK0~TK13) can be used for S/W manual mode. To start the S/W mode, user assigns TKAUTO=0 and TKPD=0, then set the TKSOC bit to start touch key conversion, the TKSOC bit can be automatically cleared while end of conversion. However, if the SYSCLK is too slow, H/W might fail to clear TKSOC due to clock sampling rate. TKEOC=0 means conversion is in process. TKEOC=1 means the conversion is finish, and the touch key counting result is stored into the 10 bits TK Data Counter TKDH and TKDL. After TKEOC=1, user must wait at least 50 μ s for next conversion. If TKOVF=1, means the conversion transaction exceeds period time. Reduce/Increase TKTMR can reduce/increase TK Data Count to adapt the system board circumstances.

The Touch Key unit has an internal built-in reference capacitor to simulate the KEY behavior. Set TKCHS=15 and start the S/W scan mode can get the TK Data Count of this capacitor. Since the internal capacitor would not be affected by water or mobile phone, it is useful for comparing the environment background noise.

Note: CLD discharge time is in proportion to CLD capacitance, refer to [AP-TM52_57XX_Touch_02S](#)

H/W Auto Touch Key Detection (ATK)

Only TK0~TK3 are eligible for H/W auto mode. This function can work in Fast/Slow/Idle mode and save the S/W effort as well as minimize the Chip current consumption. To use this function, user need to set TKAUTO=1 and TKPD=1 to enable H/W fully control the TK unit. H/W then automatically detects the TK0~TK3's TK Data Count at every 2048 or 4096 Slow clock cycles. If a Key's TK Data Count is less than the pre-set compare threshold (ATKC0~3), H/W generates interrupt and wake up CPU. User can switch the TK module back to S/W Manual Mode after the TK interrupt and identify/confirm the Key touch event.

| SFR 95h | Bit 7 | Bit 6 | Bit 5 | Bit 4 | Bit 3 | Bit 2 | Bit 1 | Bit 0 |
|---------------|-------|-------|-------|-------|-------|-------|-------|-------|
| INTFLG | LVD | – | TKIF | ADIF | – | IE2 | P1IF | TF3 |
| R/W | R | – | R/W | R/W | – | R/W | R/W | R/W |
| Reset | – | – | 0 | 0 | – | 0 | 0 | 0 |

95h.5 **TKIF:** Touch Key interrupt flag

In the S/W Manual mode: Set by H/W at the end of conversion. S/W writes DFh to INTFLG or sets the TKSOC bit to clear this flag.

In the ATK mode: Set by H/W when a TK channel's touch event is detected. It is cleared automatically when the program performs the interrupt service routine. S/W can write DFh to INTFLG to clear this bit.

Note: In ATK mode, this flag may be cleared improperly by ADC module. User should not start the ADC conversion in ATK mode.

| SFR AAh | Bit 7 | Bit 6 | Bit 5 | Bit 4 | Bit 3 | Bit 2 | Bit 1 | Bit 0 |
|---------------|-------|-------|-------|-------|-------|-------|-------|-------|
| ADTKDT | ADCDL | | | | TKEOC | TKOVF | TKDH | |
| R/W | R | | | | R | R | R | |
| Reset | – | – | – | – | – | – | – | – |

AAh.3 **TKEOC:** Touch Key end of conversion flag, TKEOC may have 3uS delay after TKSOC=1, so F/W must wait enough time before polling this Flag.

0: Indicates conversion is in progress

1: Indicates conversion is finished

AAh.2 **TKOVF:** Touch Key counter overflow

0: Indicates that the counter has not overflow

1: Indicates that the counter has overflow

AAh.1~0 **TKDH:** Touch Key counter data bit 9~8

| SFR ACh | Bit 7 | Bit 6 | Bit 5 | Bit 4 | Bit 3 | Bit 2 | Bit 1 | Bit 0 |
|-------------|-------|-------|-------|-------|-------|-------|-------|-------|
| TKDL | TKDL | | | | | | | |
| R/W | R | | | | | | | |
| Reset | – | – | – | – | – | – | – | – |

ACh.7~0 **TKDL:** Touch Key counter data bit 7~0

| SFR ADh | Bit 7 | Bit 6 | Bit 5 | Bit 4 | Bit 3 | Bit 2 | Bit 1 | Bit 0 |
|--------------|-------|-------|-------|-------|-------|-------|-------|-------|
| TKCON | TKPD | – | – | – | – | TKTMR | | |
| R/W | R/W | – | – | – | – | R/W | | |
| Reset | 1 | – | – | – | – | 1 | 0 | 0 |

ADh.7 **TKPD:** Touch Key power down

0: Touch Key running

1: Touch Key power down

ADh.2~0 **TKTMR:** Touch Key conversion time select

TKTMR adjusts the value of Touch Key reference voltage. A larger value of TKTMR requires a longer charging time, which can affect the sensitivity of touch sensing.

000: Conversion time shortest

...

111: Conversion time longest

| SFR AEh | Bit 7 | Bit 6 | Bit 5 | Bit 4 | Bit 3 | Bit 2 | Bit 1 | Bit 0 |
|--------------|-------|-------|-------|-------|-------|-------|-------|-------|
| CHSEL | ADCHS | | | | TKCHS | | | |
| R/W | R/W | | | | R/W | | | |
| Reset | 1 | 1 | 1 | 1 | 1 | 1 | 1 | 1 |

AEh.3~0 **TKCHS**: Touch Key channel select

- 0000: TK0 (P1.0)
- 0001: TK1 (P1.1)
- 0010: TK2 (P1.2)
- 0011: TK3 (P1.3)
- 0100: TK4 (P3.3)
- 0101: TK5 (P3.2)
- 0110: TK6 (P3.1)
- 0111: TK7 (P3.0)
- 1000: TK8 (P1.4)
- 1001: TK9 (P1.6)
- 1010: TK10 (P1.7)
- 1011: TK11 (P3.6)
- 1100: TK12 (P3.5)
- 1101: TK13 (P3.4)
- 1110: Undefined
- 1111: Internal reference capacitor

| SFR AFh | Bit 7 | Bit 6 | Bit 5 | Bit 4 | Bit 3 | Bit 2 | Bit 1 | Bit 0 |
|---------------|-------|-------|-------|-------|--------|---------|--------|-------|
| TKCON2 | ATKDT | | | | TKAUTO | ATKRATE | ATKNUM | |
| R/W | R | | | | R/W | R/W | R/W | |
| Reset | – | – | – | – | 0 | 0 | 1 | 1 |

AFh.7~4 **ATKDT**: Touch Key Auto Scan Result (for H/W ATK Mode)

- xxx1: TK0 has a Touch event
- xx1x: TK1 has a Touch event
- x1xx: TK2 has a Touch event
- 1xxx: TK3 has a Touch event

AFh.3 **TKAUTO**: Touch Key Auto Scan Mode Enable

- 0: S/W Mode
- 1: H/W ATK Mode

AFh.2 **ATKRATE**: Touch Key Scan Rate (for H/W ATK Mode)

- 0: ATK scan rate at every 4096 Slow clock cycles
- 1: ATK scan rate at every 2048 Slow clock cycles

AFh.1~0 **ATKNUM**: Touch Key Auto Scan Channel Number (for H/W ATK Mode)

- 00: ATK only detect TK0
- 01: ATK detect TK0 and TK1
- 10: ATK detect TK0~TK2
- 11: ATK detect TK0~TK3

| SFR C2h | Bit 7 | Bit 6 | Bit 5 | Bit 4 | Bit 3 | Bit 2 | Bit 1 | Bit 0 |
|----------------|-------|--------|-------|-------|-------|--------|-------|-------|
| ATKC10H | – | ATKC1H | | | – | ATKC0H | | |
| R/W | – | R/W | | | – | R/W | | |
| Reset | – | 0 | 0 | 0 | – | 0 | 0 | 0 |

C2h.6~4 **ATKC1H**: Data Threshold bit 10~8 Compared with TK1 scan (for H/W ATK Mode)

C2h.2~0 **ATKC0H**: Data Threshold bit 10~8 Compared with TK0 scan (for H/W ATK Mode)

| SFR C3h | Bit 7 | Bit 6 | Bit 5 | Bit 4 | Bit 3 | Bit 2 | Bit 1 | Bit 0 |
|----------------|-------|--------|-------|-------|-------|--------|-------|-------|
| ATKC32H | – | ATKC3H | | | – | ATKC2H | | |
| R/W | – | R/W | | | – | R/W | | |
| Reset | – | 0 | 0 | 0 | – | 0 | 0 | 0 |

C3h.6~4 **ATKC3H**: Data Threshold bit 10~8 Compared with TK3 scan (for H/W ATK Mode)

C3h.2~0 **ATKC2H**: Data Threshold bit 10~8 Compared with TK2 scan (for H/W ATK Mode)

| SFR C4h | Bit 7 | Bit 6 | Bit 5 | Bit 4 | Bit 3 | Bit 2 | Bit 1 | Bit 0 |
|---------------|--------|-------|-------|-------|-------|-------|-------|-------|
| ATKC0L | ATKC0L | | | | | | | |
| R/W | R/W | | | | | | | |
| Reset | 0 | 1 | 0 | 0 | 0 | 0 | 0 | 0 |

C4h.7~0 **ATKC0L**: Data Threshold bit 7~0 Compared with TK0 scan (for H/W ATK Mode)

| SFR C5h | Bit 7 | Bit 6 | Bit 5 | Bit 4 | Bit 3 | Bit 2 | Bit 1 | Bit 0 |
|---------------|--------|-------|-------|-------|-------|-------|-------|-------|
| ATKC1L | ATKC1L | | | | | | | |
| R/W | R/W | | | | | | | |
| Reset | 0 | 1 | 0 | 0 | 0 | 0 | 0 | 0 |

C5h.7~0 **ATKC1L**: Data Threshold bit 7~0 Compared with TK1 scan (for H/W ATK Mode)

| SFR C6h | Bit 7 | Bit 6 | Bit 5 | Bit 4 | Bit 3 | Bit 2 | Bit 1 | Bit 0 |
|---------------|--------|-------|-------|-------|-------|-------|-------|-------|
| ATKC2L | ATKC2L | | | | | | | |
| R/W | R/W | | | | | | | |
| Reset | 0 | 1 | 0 | 0 | 0 | 0 | 0 | 0 |

C6h.7~0 **ATKC2L**: Data Threshold bit 7~0 Compared with TK2 scan (for H/W ATK Mode)

| SFR C7h | Bit 7 | Bit 6 | Bit 5 | Bit 4 | Bit 3 | Bit 2 | Bit 1 | Bit 0 |
|---------------|--------|-------|-------|-------|-------|-------|-------|-------|
| ATKC3L | ATKC3L | | | | | | | |
| R/W | R/W | | | | | | | |
| Reset | 0 | 1 | 0 | 0 | 0 | 0 | 0 | 0 |

C7h.7~0 **ATKC3L**: Data Threshold bit 7~0 Compared with TK3 scan (for H/W ATK Mode)

| SFR F8h | Bit 7 | Bit 6 | Bit 5 | Bit 4 | Bit 3 | Bit 2 | Bit 1 | Bit 0 |
|-------------|--------|--------|-------|-------|---------|-------|-------|-------|
| AUX1 | CLRWDT | CLRTM3 | TKSOC | ADSOC | CLRPWM0 | – | – | DPSEL |
| R/W | R/W | R/W | R/W | R/W | R/W | – | – | R/W |
| Reset | 0 | 0 | 0 | 0 | 0 | – | – | 0 |

F8h.5 **TKSOC**: Start Touch Key conversion

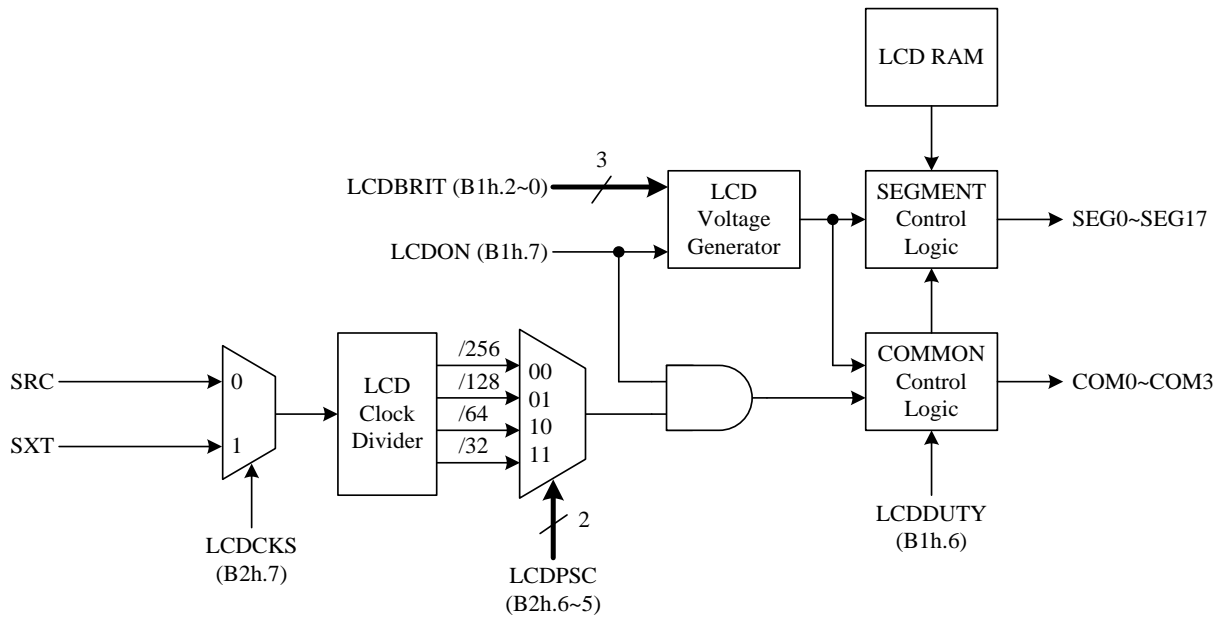
Set the TKSOC bit to start Touch Key conversion, and the TKSOC bit will be cleared by H/W at the end of conversion. S/W can also write 0 to clear this flag.

Note: also refer to Section 6 for more information about Touch Key Interrupt enable and priority.

Note: also refer to Section 7 for more information about Touch Key pin input setting.

13. LCD Controller/Driver

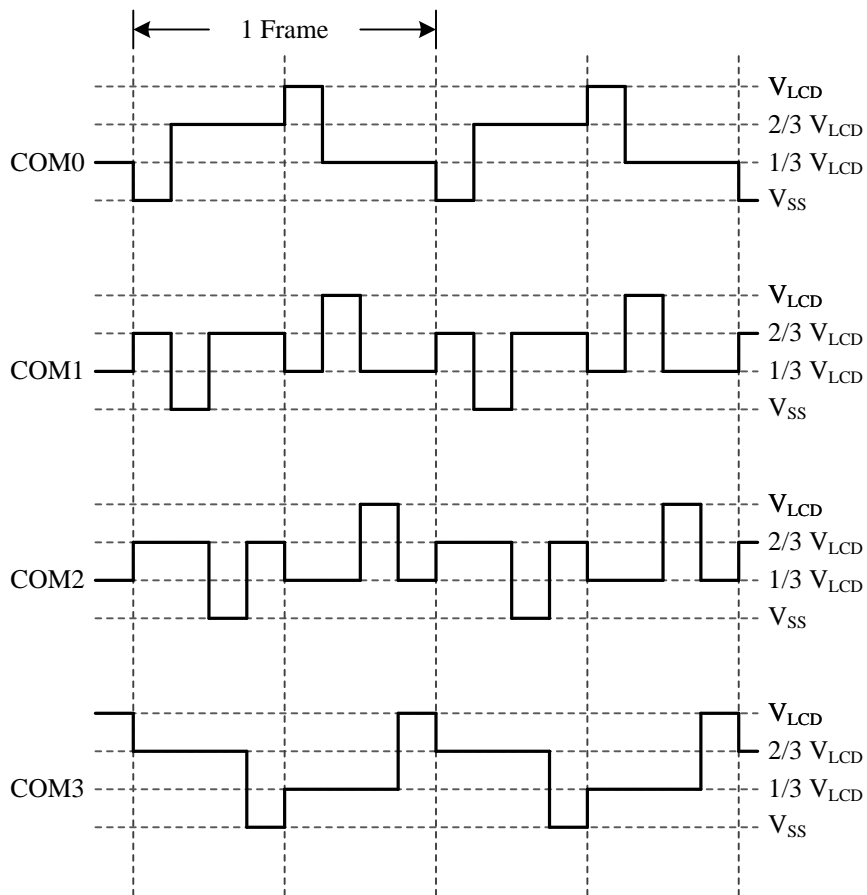
The Chip supports an LCD controller and driver. The LCD driver is capable of driving the LCD panel with 72 dots by 4 Commons and 18 Segments. It is capable of driving 1/3 bias. The LCD clock source is generated from SRC or SXT depends on LCDCKS bit. The clock rate can be divided by 32, 64, 128, and 256 by the LCDPSC bits. If SRC is the LCD clock source, the V_{CC} voltage level would affect the SRC frequency and LCD frame rate. The LCDRAM is located in the 8051's External Data Memory space, addressing from F000h to F008h.



LCD RAM (External Data Memory)

| Addr. | COM3 | COM2 | COM1 | COM0 | COM3 | COM2 | COM1 | COM0 |
|-------|-------|-------|-------|-------|-------|-------|-------|-------|
| F000h | SEG1 | SEG1 | SEG1 | SEG1 | SEG0 | SEG0 | SEG0 | SEG0 |
| F001h | SEG3 | SEG3 | SEG3 | SEG3 | SEG2 | SEG2 | SEG2 | SEG2 |
| F002h | SEG5 | SEG5 | SEG5 | SEG5 | SEG4 | SEG4 | SEG4 | SEG4 |
| F003h | SEG7 | SEG7 | SEG7 | SEG7 | SEG6 | SEG6 | SEG6 | SEG6 |
| F004h | SEG9 | SEG9 | SEG9 | SEG9 | SEG8 | SEG8 | SEG8 | SEG8 |
| F005h | SEG11 | SEG11 | SEG11 | SEG11 | SEG10 | SEG10 | SEG10 | SEG10 |
| F006h | SEG13 | SEG13 | SEG13 | SEG13 | SEG12 | SEG12 | SEG12 | SEG12 |
| F007h | SEG15 | SEG15 | SEG15 | SEG15 | SEG14 | SEG14 | SEG14 | SEG14 |
| F008h | SEG17 | SEG17 | SEG17 | SEG17 | SEG16 | SEG16 | SEG16 | SEG16 |

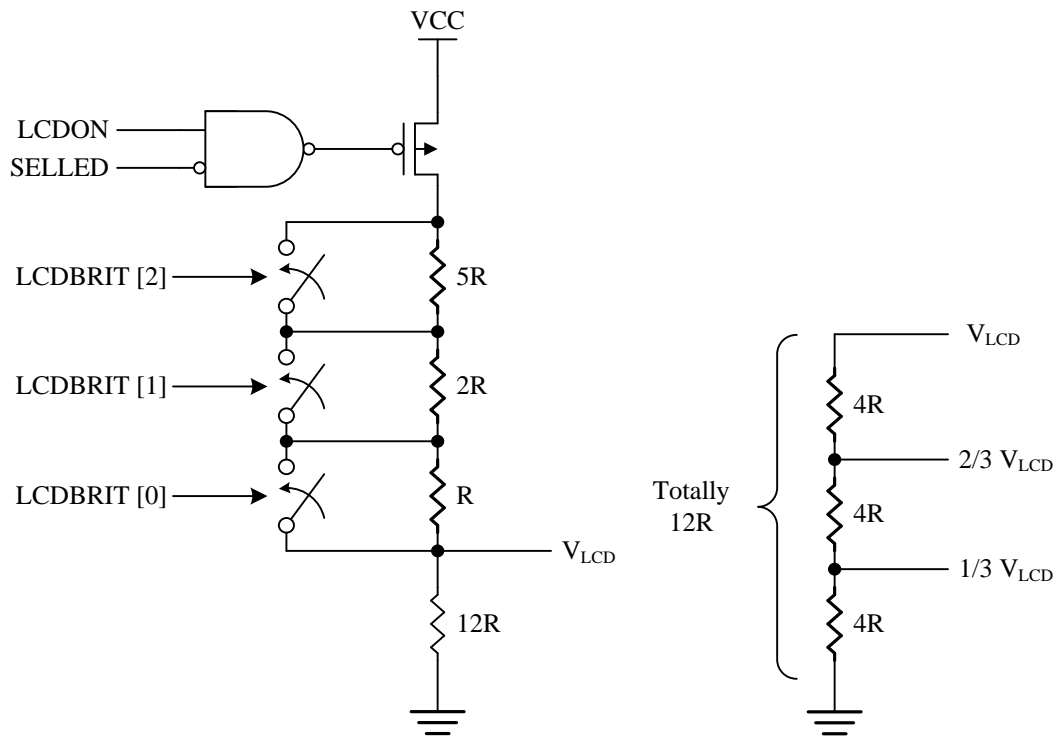
The frequency of any repeating waveform output on the COM pin can be used to represent the LCD frame rate. The figure below shows an LCD frame.



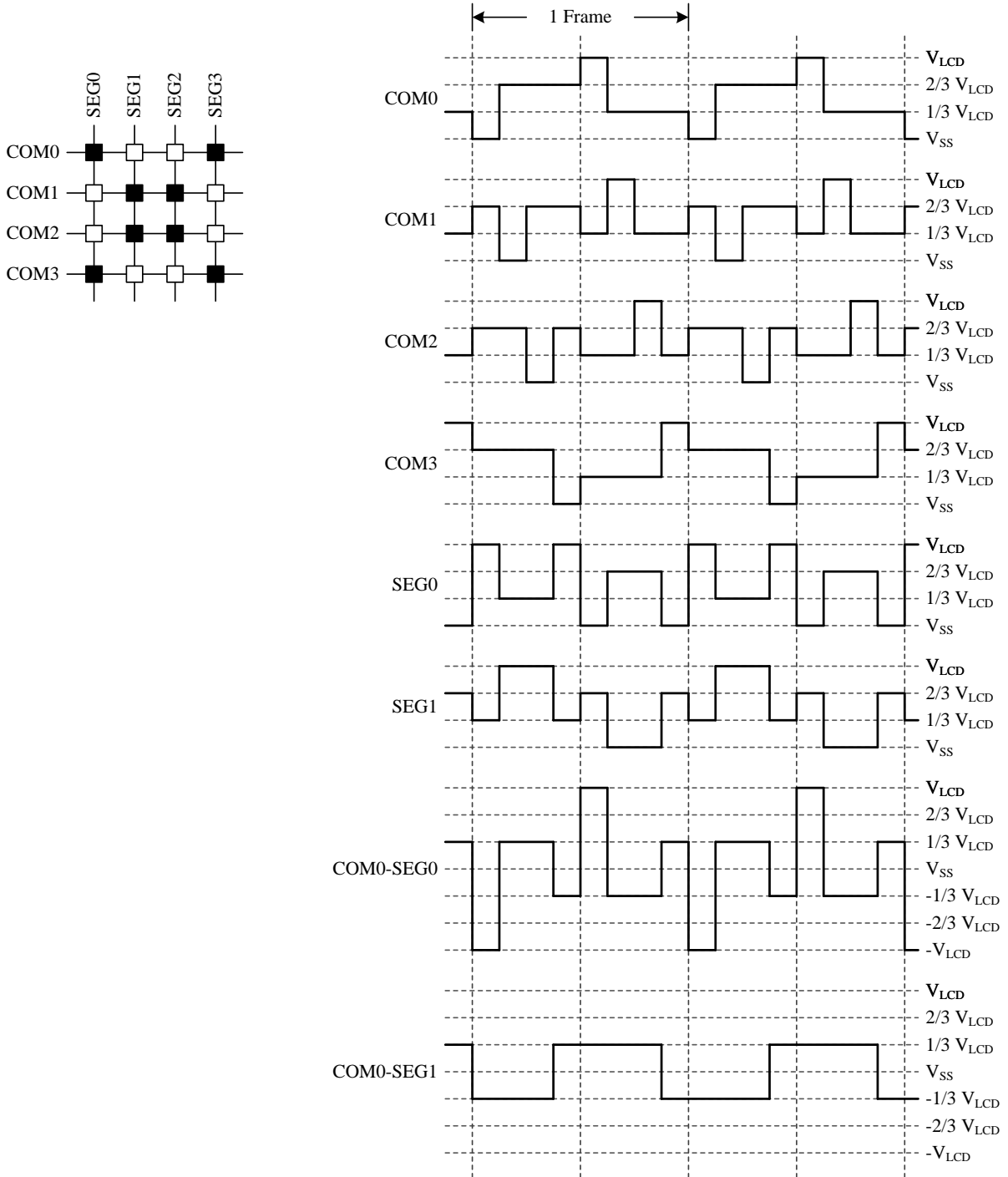
The frame rate table for each lighting system is shown below.

| LCDCKS (B2h.7) | LCDPSC (B2h.6~5) | LCD Frame Rate (Hz) | |
|---------------------|---------------------|---------------------|-----------------|
| | | LCDDUTY (B1h.6) | |
| | | 0 (1/3 duty) | 1 (1/4 duty) |
| 0 (SRC) 24000 Hz | 00 (/256) | 15.63 | 11.72 |
| | 01 (/128) | 31.25 | 23.44 |
| | 10 (/64) | 62.5 | 46.88 |
| | 11 (/32) | 125 | 93.75 |
| 1 (SXT) 32768 Hz | 00 (/256) | 21.33 | 16.00 |
| | 01 (/128) | 42.67 | 32.00 |
| | 10 (/64) | 85.33 | 64.00 |
| | 11 (/32) | 170.67 | 128.00 |

The following figure of the LCD voltage generator shows the internal voltage generator composed by resistors. LCDON and SELLED control the current flows from V_{CC} to ground. If LCDON=0 or SELLED=1, the PMOS will turn off the path so that all LCD voltages will be 0 V. If LCDON=1 and SELLED=0, the resistor divider will work to generate multi voltages to provide the LCD control module for generating the desired waveforms. The LCDBRIT control bits will open/short the switches to determine V_{LCD} . The table below shows V_{LCD} corresponding to LCDBRIT. The voltage divider circuit will consume current because the DC path is always on when LCDON=1 and SELLED=0.



| LCDBRIT | V_{LCD} |
|---------|-------------------------|
| 000 | $(12/20) \times V_{CC}$ |
| 001 | $(12/19) \times V_{CC}$ |
| 010 | $(12/18) \times V_{CC}$ |
| 011 | $(12/17) \times V_{CC}$ |
| 100 | $(12/15) \times V_{CC}$ |
| 101 | $(12/14) \times V_{CC}$ |
| 110 | $(12/13) \times V_{CC}$ |
| 111 | V_{CC} |

1/4 Duty, 1/3 Bias Output Waveform


| SFR B1h | Bit 7 | Bit 6 | Bit 5 | Bit 4 | Bit 3 | Bit 2 | Bit 1 | Bit 0 |
|---------------|-------|---------|-------|-------|-------|---------|-------|-------|
| LCDCON | LCDON | LCDDUTY | – | – | – | LCDBRIT | | |
| R/W | R/W | R/W | – | – | – | R/W | | |
| Reset | 0 | 1 | – | – | – | 1 | 0 | 0 |

B1h.7 **LCDCON**: LCD/LED enable bit

0: LCD/LED disable

1: LCD/LED enable

B1h.6 **LCDDUTY**: LCD/LED duty select

0: 1/3 duty

1: 1/4 duty

B1h.2~0 **LCDBRIT**: LCD brightness select

000: (12/20) x V_{CC}

001: (12/19) x V_{CC}

010: (12/18) x V_{CC}

011: (12/17) x V_{CC}

100: (12/15) x V_{CC}

101: (12/14) x V_{CC}

110: (12/13) x V_{CC}

111: V_{CC}

| SFR B2h | Bit 7 | Bit 6 | Bit 5 | Bit 4 | Bit 3 | Bit 2 | Bit 1 | Bit 0 |
|----------------|--------|--------|-------|--------|--------|--------|-------|-------|
| LCDCON2 | LCDCKS | LCDPSC | | SELLED | LEDPOL | LEDDTE | – | – |
| R/W | R/W | R/W | | R/W | R/W | R/W | – | – |
| Reset | 0 | 0 | 0 | 0 | 0 | 0 | – | – |

B2h.7 **LCDCKS**: LCD/LED clock source select

0: SRC

1: SXT

B2h.6~5 **LCDPSC**: LCD/LED clock prescaler select

00: LCD/LED clock is divided by 256

01: LCD/LED clock is divided by 128

10: LCD/LED clock is divided by 64

11: LCD/LED clock is divided by 32

| SFR B3h | Bit 7 | Bit 6 | Bit 5 | Bit 4 | Bit 3 | Bit 2 | Bit 1 | Bit 0 |
|---------------|---------|---------|---------|---------|---------|---------|---------|---------|
| LCDPIN | LCDPIN7 | LCDPIN6 | LCDPIN5 | LCDPIN4 | LCDPIN3 | LCDPIN2 | LCDPIN1 | LCDPIN0 |
| R/W | R/W | R/W | R/W | R/W | R/W | R/W | R/W | R/W |
| Reset | 0 | 0 | 0 | 0 | 0 | 0 | 0 | 0 |

B3h.7 **LCDPIN7**: P3.2 (SEG17) LCD/LED mode enable

B3h.6 **LCDPIN6**: P3.1 (SEG16) LCD/LED mode enable

B3h.5 **LCDPIN5**: P3.0 (SEG15) LCD/LED mode enable

B3h.4 **LCDPIN4**: P1.0 (SEG14) LCD/LED mode enable

B3h.3 **LCDPIN3**: P1.1 (SEG13) LCD/LED mode enable

B3h.2 **LCDPIN2**: P1.2 (SEG12) LCD/LED mode enable

B3h.1 **LCDPIN1**: P1.3~P1.6 (SEG11~8) LCD/LED mode enable

Note: SEG9 and Touch Key CLD share the same pin. If this bit is set, the Touch Key function would be affected.

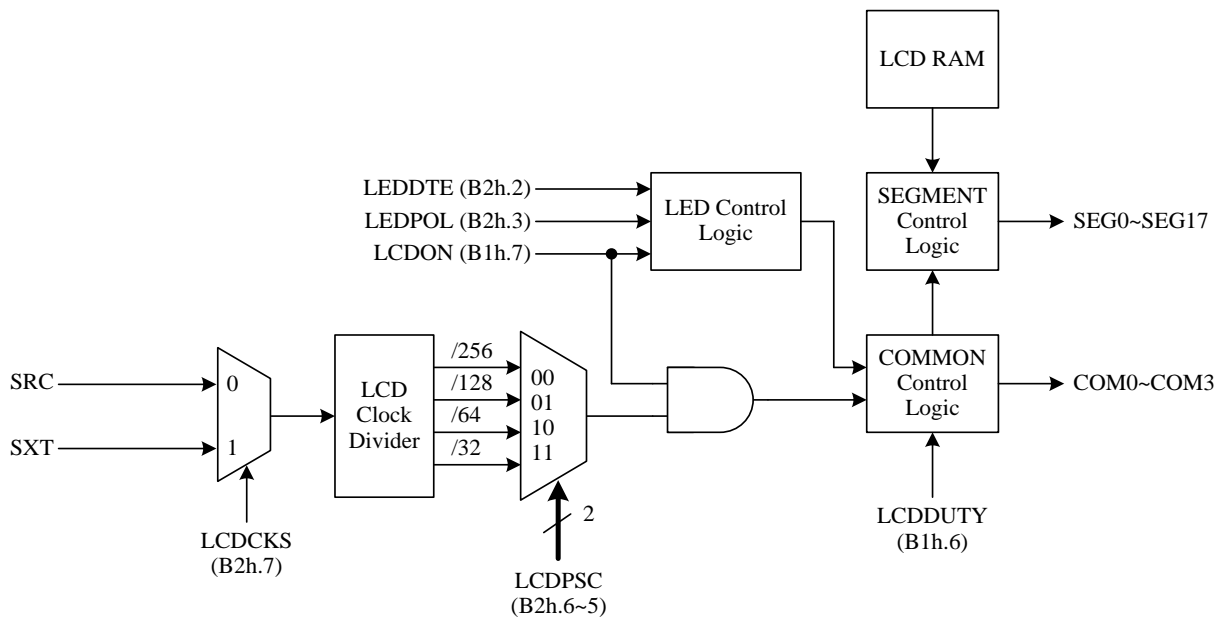
B3h.0 **LCDPIN0**: P17, P3.6~P3.4 (SEG7~4) LCD/LED mode enable

0: I/O mode

1: LCD/LED mode

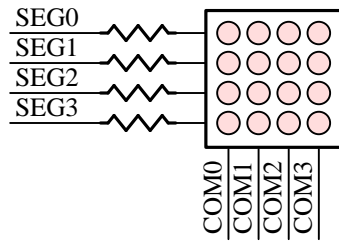
14. LED Controller/Driver

The Chip supports an LED controller and driver. If the LED mode option SELLED is set, The Chip will switch the LCD driver to the LED driver. It provides 18 Segment pins and 4 Common pins to drive an LED module with 72 pixels. The LED and LCD module share the same clock source and LCDRAM. For LED application, the COM pins have a high sink current, which can drive an LED directly. Besides, the LED provides COM pin polarity and dead time options, by setting the LEDPOL bit and the LEDDTE bit respectively.

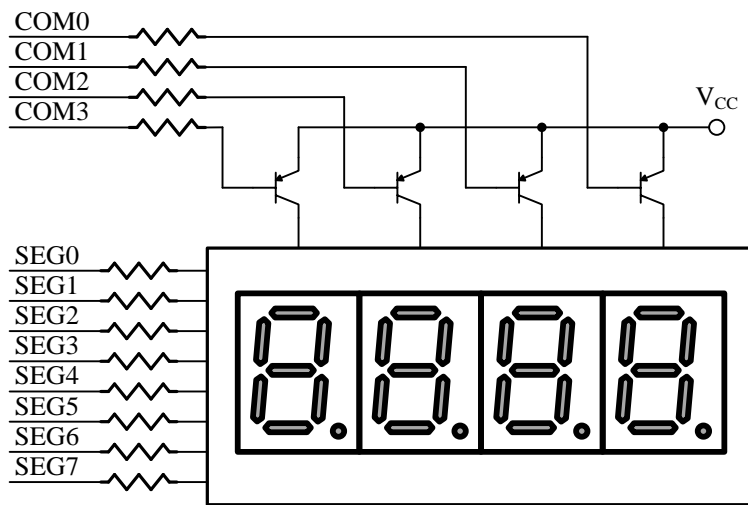


Application Circuit

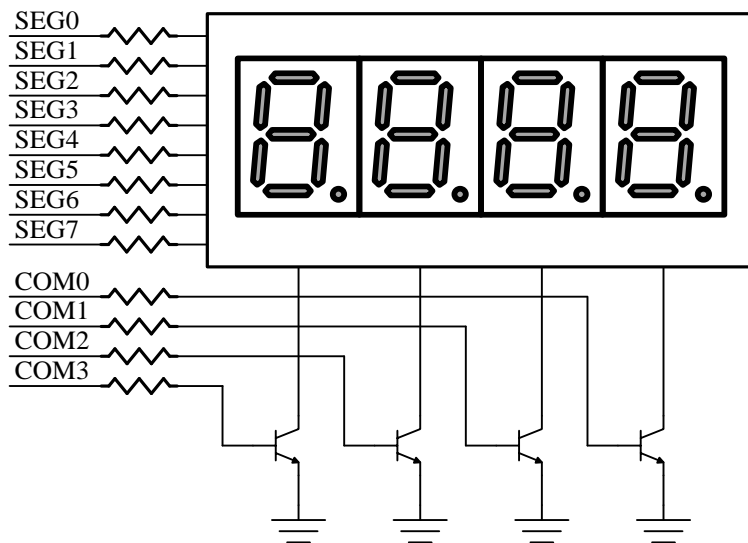
COM Active Low and SEG Active High



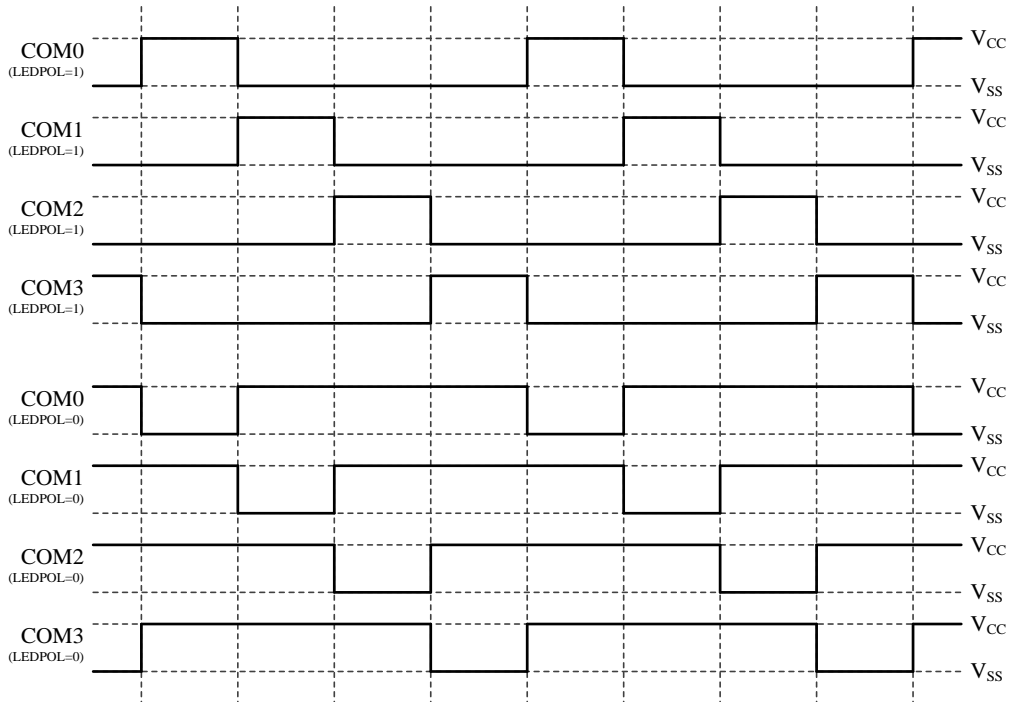
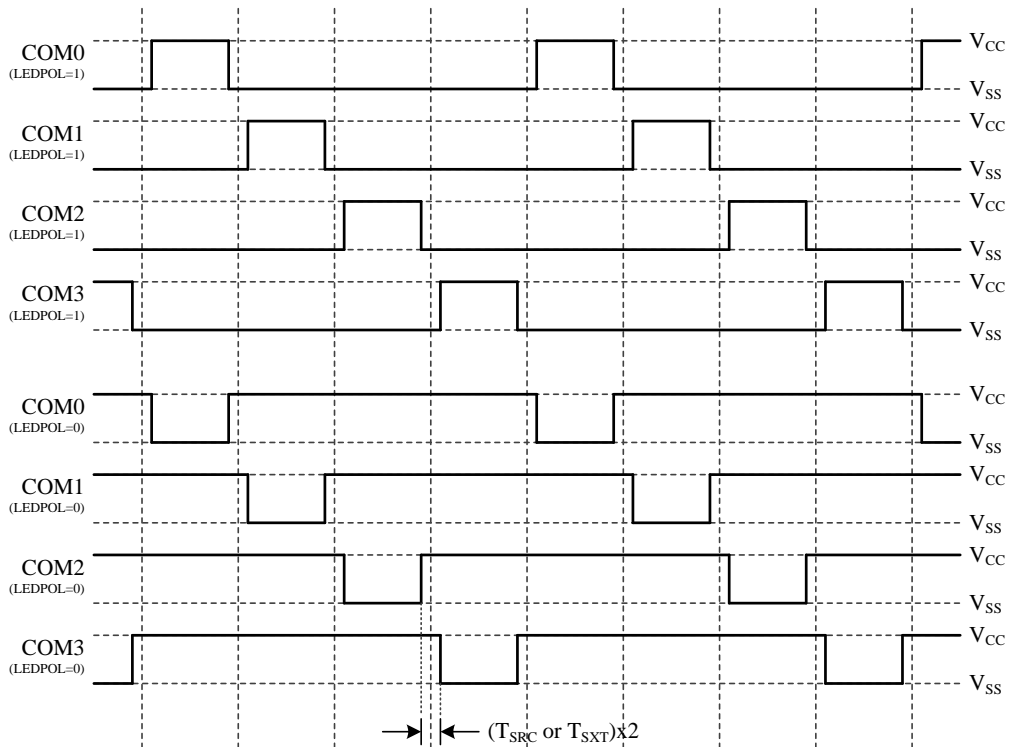
COM Active Low and SEG Active Low



COM Active High and SEG Active High



To avoid LED flicker when the common signal is changing, the Chip provides a dead time option. Setting the SELLED bit selects the LED mode, and setting the LEDDTE bit enables the dead time. In the dead time period, a common pin will output a short inactive signal instead of changing the signal immediately.

1/4 Duty, LEDDTE=0

1/4 Duty, LEDDTE=1


| SFR B1h | Bit 7 | Bit 6 | Bit 5 | Bit 4 | Bit 3 | Bit 2 | Bit 1 | Bit 0 |
|---------------|-------|---------|-------|-------|-------|---------|-------|-------|
| LCDCON | LCDON | LCDDUTY | – | – | – | LCDBRIT | | |
| R/W | R/W | R/W | – | – | – | R/W | | |
| Reset | 0 | 1 | – | – | – | 1 | 0 | 0 |

B1h.7 **LCDCON**: LCD/LED enable bit
 0: LCD/LED disable
 1: LCD/LED enable

| SFR B2h | Bit 7 | Bit 6 | Bit 5 | Bit 4 | Bit 3 | Bit 2 | Bit 1 | Bit 0 |
|----------------|--------|--------|-------|--------|--------|--------|-------|-------|
| LCDCON2 | LCDCKS | LCDPSC | | SELLED | LEDPOL | LEDDTE | – | – |
| R/W | R/W | R/W | | R/W | R/W | R/W | – | – |
| Reset | 0 | 0 | 0 | 0 | 0 | 0 | – | – |

B2h.7 **LCDCKS**: LCD/LED clock source select
 0: SRC
 1: SXT

B2h.6~5 **LCDPSC**: LCD/LED clock prescaler select
 00: LCD/LED clock is divided by 256
 01: LCD/LED clock is divided by 128
 10: LCD/LED clock is divided by 64
 11: LCD/LED clock is divided by 32

B2h.4 **SELLED**: LED select mode
 0: LCD mode
 1: LED mode

B2h.3 **LEDPOL**: LED COM polarity select
 0: Active low (with high sink)
 1: Active high

B2h.2 **LEDDTE**: LED COM dead time enable
 0: LED COM dead time disable
 1: LED COM dead time enable

| SFR B3h | Bit 7 | Bit 6 | Bit 5 | Bit 4 | Bit 3 | Bit 2 | Bit 1 | Bit 0 |
|---------------|---------|---------|---------|---------|---------|---------|---------|---------|
| LCDPIN | LCDPIN7 | LCDPIN6 | LCDPIN5 | LCDPIN4 | LCDPIN3 | LCDPIN2 | LCDPIN1 | LCDPIN0 |
| R/W | R/W | R/W | R/W | R/W | R/W | R/W | R/W | R/W |
| Reset | 0 | 0 | 0 | 0 | 0 | 0 | 0 | 0 |

B3h.7 **LCDPIN7**: P3.2 (SEG17) LCD/LED mode enable

B3h.6 **LCDPIN6**: P3.1 (SEG16) LCD/LED mode enable

B3h.5 **LCDPIN5**: P3.0 (SEG15) LCD/LED mode enable

B3h.4 **LCDPIN4**: P1.0 (SEG14) LCD/LED mode enable

B3h.3 **LCDPIN3**: P1.1 (SEG13) LCD/LED mode enable

B3h.2 **LCDPIN2**: P1.2 (SEG12) LCD/LED mode enable

B3h.1 **LCDPIN1**: P1.3~P1.6 (SEG11~8) LCD/LED mode enable

Note: SEG9 and Touch Key CLD share the same pin. If this bit is set, the Touch Key function would be affected.

B3h.0 **LCDPIN0**: P17, P3.6~P3.4 (SEG7~4) LCD/LED mode enable

0: I/O mode

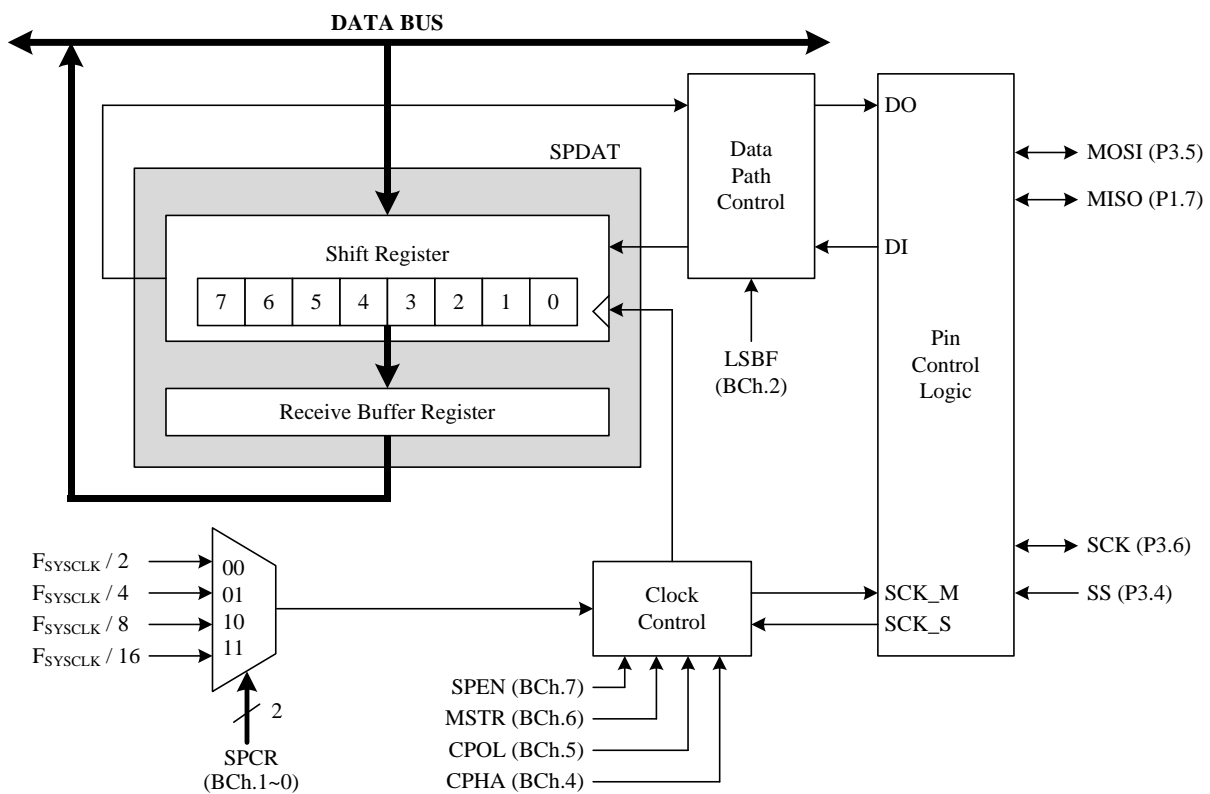
1: LCD/LED mode

15. Serial Peripheral Interface (SPI)

The Serial Peripheral Interface (SPI) module is capable of full-duplex, synchronous, serial communication between the MCU and peripheral devices. The peripheral devices can be other MCUs, A/D converter, sensors, or flash memory, etc. The SPI runs at a clock rate up to the system clock divided by two. Firmware can read the status flags, or the operation can be interrupt driven. Following figure shows the SPI system block diagram.

The features of the SPI module include:

- Master or Slave mode operation
- 3-wire or 4-wire mode operation
- Full-duplex operation
- Programmable transmit bit rate
- Single buffer receive
- Serial clock phase and polarity options
- MSB-first or LSB-first shifting selectable



| SPI Function Pin | P1/P3 Mode | P1.n/P3.n SFR data |
|------------------------|------------|--------------------|
| Master Mode, MISO | Mode1 | 1 |
| Master Mode, SCK, MOSI | Mode2 | X |
| Slave Mode, MISO | Mode2 | X |
| Slave Mode, SCK, MOSI | Mode1 | 1 |
| SS | Mode1 | 1 |

Pin Mode Setting for SPI

The four signals used by SPI are described below. The MOSI (P3.5) signal is an output from a Master Device and an input to Slave Devices. The MISO (P1.7) signal is an output from a Slave Device and an input to a Master Device. Data is transferred most-significant bit (MSB) or least-significant bit (LSB) first by setting the LSBF bit. The SCK (P3.6) signal is an output from a Master Device and an input to Slave Devices. It is used to synchronize the data on the MOSI and MISO lines of Master and Slave. SPI generates the signal with eight programmable clock rates in Master mode. The SS (P3.4) signal is a low active slave select pin. In 4-wire Slave mode, the signal is ignored when the Slave is not selected (SS=1). The SS is ignored when the SSDIS in SPCON is set in both Master and Slave modes. In Slave mode and the SSDIS is clear, the SPI active when SS stay low. For multiple-slave mode, only one slave device is selected at a time to avoid bus collision on the MISO line. In Master mode and the SSDIS is cleared, the MODF in SPSTA is set when this signal is low. For multiple-master mode, enable SS line to avoid multiple driving on MOSI and SCK lines from multiple masters.

Master Mode

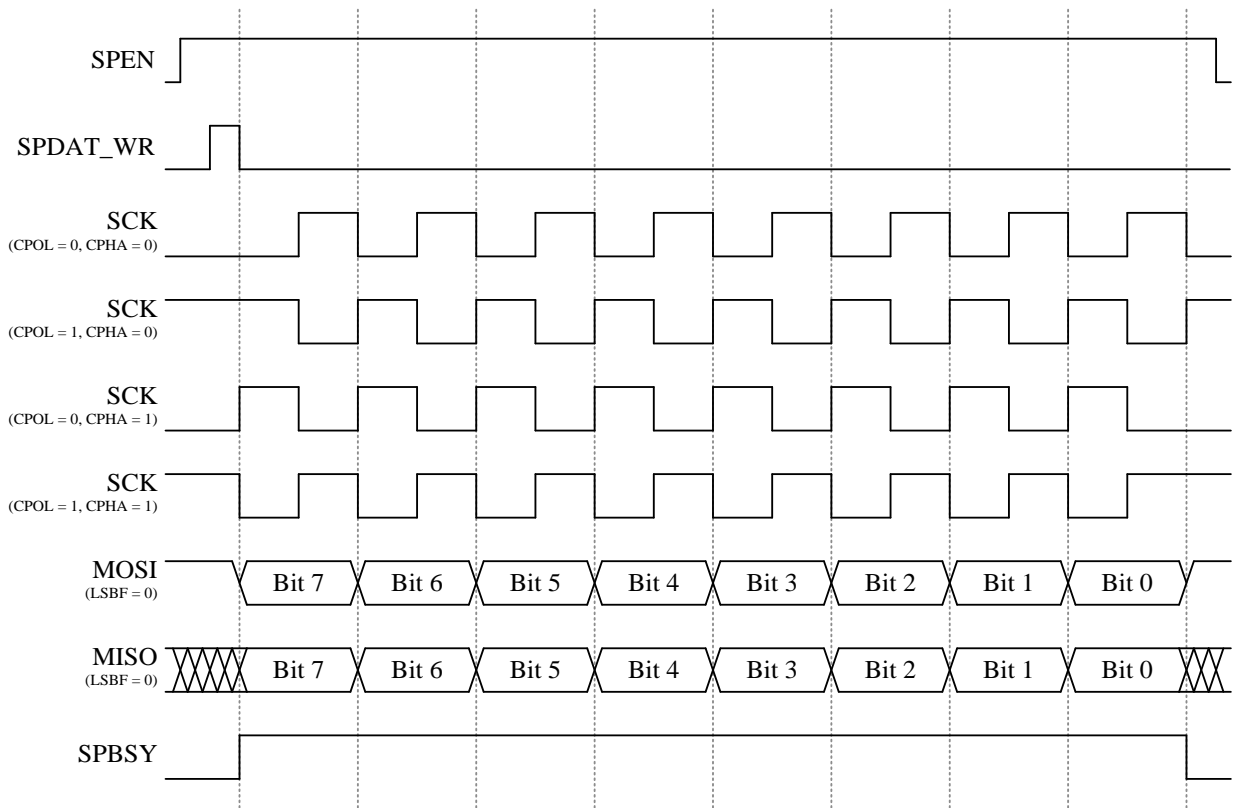
The SPI operates in Master mode by setting the MSTR bit in the SPCON. To start transmit, writing a data to the SPDAT. If the SPBSY bit is cleared, the data will be transferred to the shift register and starts shift out on the MOSI line. The data of the slave shift in from the MISO line at the same time. When the SPIF bit in the SPSTA becomes set at the end of the transfer, the receive data is written to receiver buffer and the RCVBF bit in the SPSTA is set. To prevent an overrun condition, software must read the SPDAT before next byte enters the shift register. The SPBSY bit will be set when writing a data to SPDAT to start transmit, and be cleared at the end of the eighth SCK period in Master mode.

Slave Mode

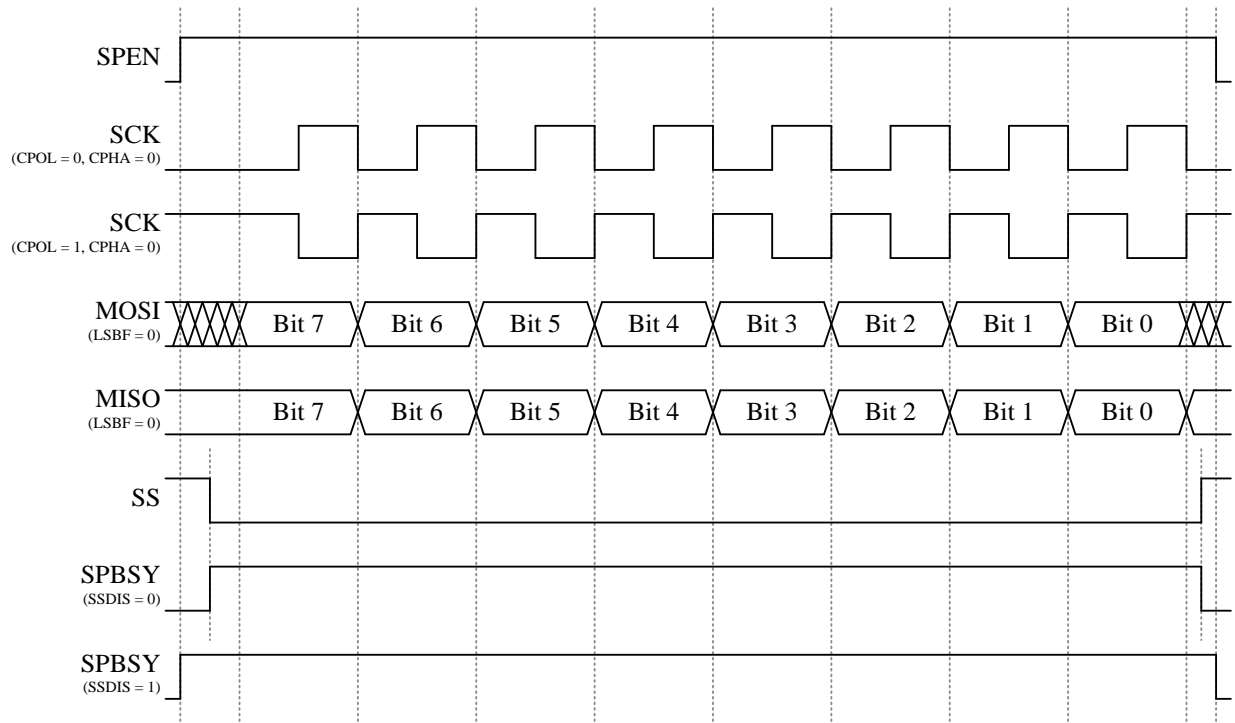
The SPI operates in Slave mode by clearing the MSTR bit in the SPCON. If the SSDIS is cleared, the transmission will start when the SS become low and remain low until the end of a data transfer. If the SSDIS is set, the transmission will start when the SPEN bit in the SPCON is set, and don't care the SS. The data from a master will shift into the shift register through the MOSI line, and shift out from the shift register on the MISO line. When a byte enters the shift register, the data will be transferred to receiver buffer if the RCVBF is cleared. If the RCVBF is set, the newer receive data will not be transferred to receiver buffer and the RCVOVF bit is set. After a byte enters the shift register, the SPIF and RCVBF bits are set. To prevent an overrun condition, software must read the SPDAT or write 0 to RCVBF before next byte enters the shift register. The maximum SCK frequency allowed in Slave mode is $F_{\text{SYSCLK}}/4$. In Slave mode, the SPBSY bit refers to the SS pin when the SSDIS bit is cleared, and refer to the SPEN bit when SSDIS bit is set.

Serial Clock

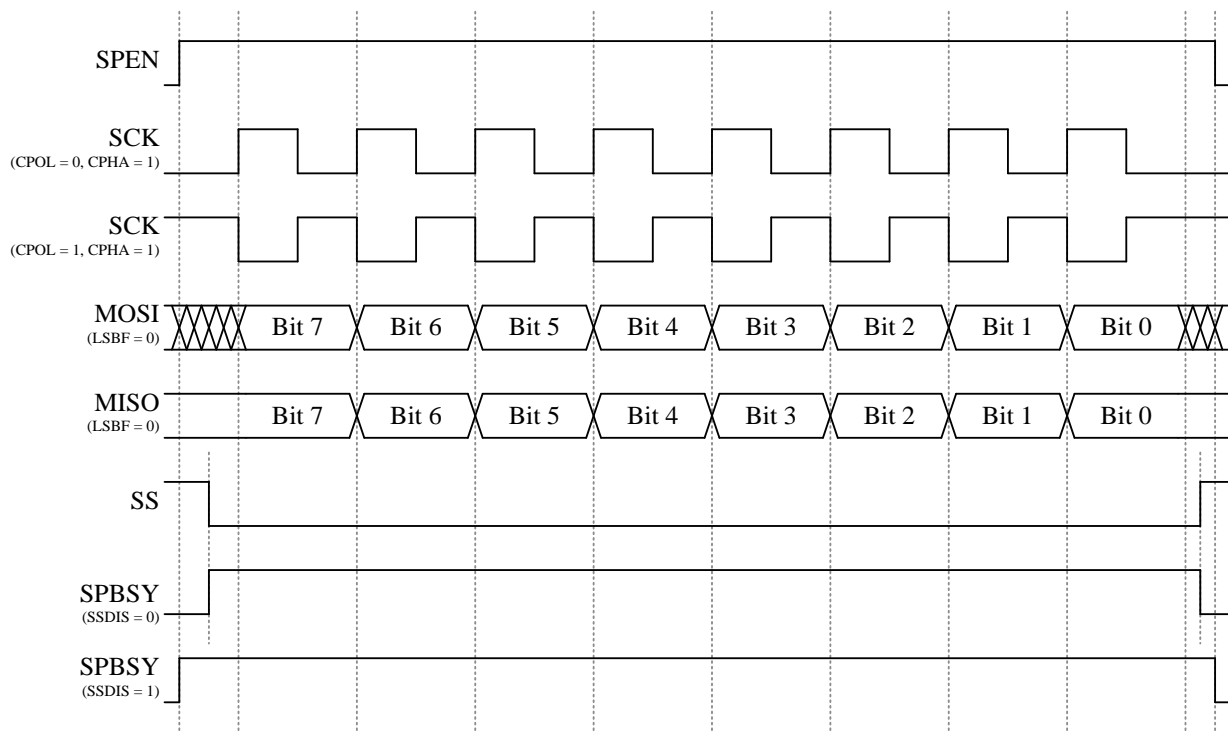
The SPI has four clock types by setting the CPOL and CPHA bits in the SPCON register. The CPOL bit defines the level of the SCK in SPI idle state. The level of the SCK in idle state is low when the CPOL bit is cleared, and is high when the CPOL bit is set. The CPHA bit defines the edges used to sample and shift data. The SPI sample data on the first edge of SCK period and shift data on the second edge of SCK period when the CPHA bit is cleared. The SPI sample data on the second edge of SCK period and shift data on first edge of SCK period when the CPHA bit is set. The figures below show the detail timing in Master and Slave modes. Both Master and Slave devices must be configured to use the same clock type before the SPEN bit is set. The SPCR controls the Master mode serial clock frequency. This register is ignored when operating in Slave mode. The SPI clock can select System clock divided by 2, 4, 8, or 16 in Master mode.



Master Mode Timing



Slave Mode Timing (CPHA=0)


Slave Mode Timing (CPHA=1)

In both Master and Slave modes, the SPIF bit is set by H/W at the end of a data transfer and generates an interrupt if SPI interrupt is enabled. The SPIF bit is cleared automatically when the program performs the interrupt service routines. S/W can also write 0 to clear this flag. If write data to SPDAT when the SPBSY is set, the WCOL bit will be set by H/W and generates an interrupt if SPI interrupt is enabled. When this occurs, the data write to SPDAT will be ignored, and shift register will not be written. Write 0 to this bit or when SPBSY is cleared and rewrite data to SPDAT will clear this flag. The MODF bit is set when SSDIS is cleared and SS pin is pulled low in Master mode. If SPI interrupt is enabled, an interrupt will be generated. When this bit is set, the SPEN and MSTR in SPCON will be cleared by H/W. Write 0 to this bit will clear this flag.

| SFR BCh | Bit 7 | Bit 6 | Bit 5 | Bit 4 | Bit 3 | Bit 2 | Bit 1 | Bit 0 |
|--------------|-------|-------|-------|-------|-------|-------|-------|-------|
| SPCON | SPEN | MSTR | CPOL | CPHA | SSDIS | LSBF | SPCR | |
| R/W | R/W | R/W | R/W | R/W | R/W | R/W | R/W | |
| Reset | 0 | 0 | 0 | 0 | 0 | 0 | 0 | 0 |

- BCh.7 **SPEN:** SPI enable
0: SPI disable
1: SPI enable
- BCh.6 **MSTR:** Master mode enable
0: Slave mode
1: Master mode
- BCh.5 **CPOL:** SPI clock polarity
0: SCK is low in idle state
1: SCK is high in idle state
- BCh.4 **CPHA:** SPI clock phase
0: Data sample on first edge of SCK period
1: Data sample on second edge of SCK period

- BCh.3 **SSDIS**: SS pin disable
 0: Enable SS pin
 1: Disable SS pin
- BCh.2 **LSBF**: LSB first
 0: MSB first
 1: LSB first
- BCh.1~0 **SPCR**: SPI clock rate
 00: $F_{SYSCLK}/2$
 01: $F_{SYSCLK}/4$
 10: $F_{SYSCLK}/8$
 11: $F_{SYSCLK}/16$

| SFR BDh | Bit 7 | Bit 6 | Bit 5 | Bit 4 | Bit 3 | Bit 2 | Bit 1 | Bit 0 |
|--------------|-------|-------|-------|--------|-------|-------|-------|-------|
| SPSTA | SPIF | WCOL | MODF | RCVOVF | RCVBF | SPBSY | – | – |
| R/W | R/W | R/W | R/W | R/W | R/W | R/W | – | – |
| Reset | 0 | 0 | 0 | 0 | 0 | 0 | – | – |

- BDh.7 **SPIF**: SPI interrupt flag
 This is set by H/W at the end of a data transfer. Cleared by H/W when an interrupt is vectored into. Writing 0 to this bit will clear this flag.
- BDh.6 **WCOL**: Write collision interrupt flag
 Set by H/W if write data to SPDAT when SPBSY is set. Write 0 to this bit or rewrite data to SPDAT when SPBSY is cleared will clear this flag.
- BDh.5 **MODF**: Mode fault interrupt flag
 Set by H/W when SSDIS is cleared and SS pin is pulled low in Master mode. Write 0 to this bit will clear this flag. When this bit is set, the SPEN and MSTR in SPCON will be cleared by H/W.
- BDh.4 **RCVOVF**: Received buffer overrun flag
 Set by H/W at the end of a data transfer and RCVBF is set. Write 0 to this bit or read SPDAT register will clear this flag.
- BDh.3 **RCVBF**: Receive buffer full flag
 Set by H/W at the end of a data transfer. Write 0 to this bit or read SPDAT register will clear this flag.
- BDh.2 **SPBSY**: SPI busy flag
 Set by H/W when a SPI transfer is in progress.

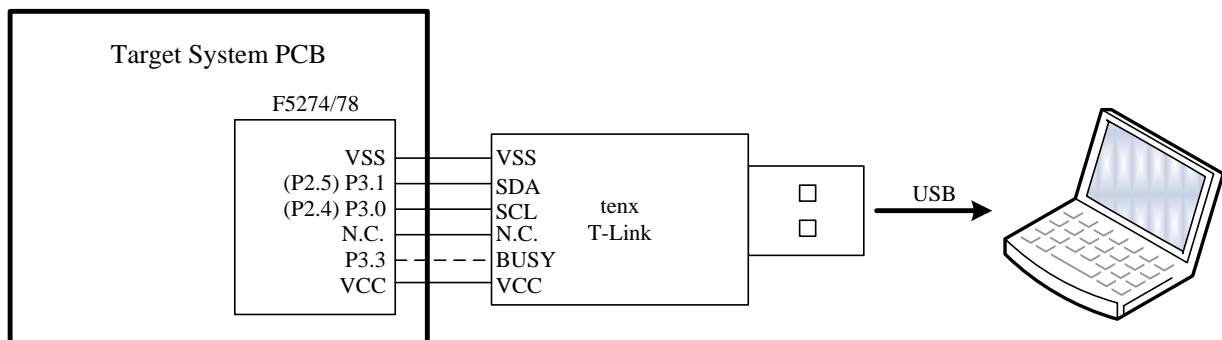
| SFR BEh | Bit 7 | Bit 6 | Bit 5 | Bit 4 | Bit 3 | Bit 2 | Bit 1 | Bit 0 |
|--------------|-------|-------|-------|-------|-------|-------|-------|-------|
| SPDAT | SPDAT | | | | | | | |
| R/W | R/W | | | | | | | |
| Reset | 0 | 0 | 0 | 0 | 0 | 0 | 0 | 0 |

- BEh.7~0 **SPDAT**: SPI transmit and receive data
 The SPDAT register is used to transmit and receive data. Writing data to SPDAT place the data into shift register and start a transfer when in master mode. Reading SPDAT returns the contents of the receive buffer.

16. In Circuit Emulation (ICE) Mode

This device can support the In Circuit Emulation Mode. To use the ICE Mode, user just needs to connect P3.0 and P3.1 pin to the tenx proprietary EV Module. The benefit is that user can emulate the whole system without changing the on board target device. But there are some limits for the ICE mode as below.

1. The device must be un-protect.
2. The device's P3.0 and P3.1 pins must work in input Mode (P3MOD0=0/1 and P3MOD1=0/1).
3. During Program Code download, P3.3 sent acknowledge signal to T-Link unit. After download stage, P3.3 can be emulated as any other pins.
4. The Program Memory's addressing space 0D00h~0FFFh and 0033h~003Ah are occupied by tenx EV module. So user Program cannot access these spaces.
5. The P3.0 and P3.1 pin's function cannot be emulated.
6. The P3.0 and P3.1 pin's can be replaced by P2.4 and P2.5.



SFR & CFGW MAP

| Adr | Rst | Name | Bit 7 | Bit 6 | Bit 5 | Bit 4 | Bit 3 | Bit 2 | Bit 1 | Bit 0 |
|------|-----------|----------------|----------------|---------|---------|---------|---------|---------|---------|---------|
| 80h | 1111-1111 | P0 | P0.7 | P0.6 | P0.5 | P0.4 | P0.3 | P0.2 | P0.1 | P0.0 |
| 81h | 0000-0111 | SP | SP | | | | | | | |
| 82h | 0000-0000 | DPL | DPL | | | | | | | |
| 83h | 0000-0000 | DPH | DPH | | | | | | | |
| 87h | 0xxx-0000 | PCON | SMOD | - | - | - | GF1 | GF0 | PD | IDL |
| 88h | 0000-0000 | TCON | TF1 | TR1 | TF0 | TR0 | IE1 | IT1 | IE0 | IT0 |
| 89h | 0000-0000 | TMOD | GATE1 | CT1N | TMOD1 | | GATE0 | CT0N | TMOD0 | |
| 8Ah | 0000-0000 | TL0 | TL0 | | | | | | | |
| 8Bh | 0000-0000 | TL1 | TL1 | | | | | | | |
| 8Ch | 0000-0000 | TH0 | TH0 | | | | | | | |
| 8Dh | 0000-0000 | TH1 | TH1 | | | | | | | |
| 90h | 1111-1111 | P1 | P1.7 | P1.6 | P1.5 | P1.4 | P1.3 | P1.2 | P1.1 | P1.0 |
| 91h | 0000-0000 | POOE | POOE | | | | | | | |
| 93h | 0000-0101 | P2MOD | P2OE | | | | P2MOD1 | | P2MOD0 | |
| 94h | 0000-0000 | OPTION | UART1W | MODE3V | WDTPSC | | ADCKS | | TM3PSC | |
| 95h | xx00-x000 | INTFLG | LVDO | - | TKIF | ADIF | - | IE2 | P1IF | TF3 |
| 96h | 0000-0000 | P1WKUP | P1WKUP | | | | | | | |
| 97h | xxxx-xxx0 | SWCMD | IAPALL / SWRST | | | | | | | |
| 98h | 0000-0000 | SCON | SM0 | SM1 | SM2 | REN | TB8 | RB8 | TI | RI |
| 99h | xxxx-xxxx | SBUF | SBUF | | | | | | | |
| 9Ah | 1111-1111 | PWM0PRD | PWM0PRD | | | | | | | |
| 9Bh | 1000-0000 | PWM0DH | PWM0DH | | | | | | | |
| 9Ch | 1111-1111 | PWM1PRD | PWM1PRD | | | | | | | |
| 9Dh | 1000-0000 | PWM1DH | PWM1DH | | | | | | | |
| A0h | 1111-1111 | P2 | P2.7 | P2.6 | P2.5 | P2.4 | P2.3 | P2.2 | P2.1 | P2.0 |
| A1h | 1000-1000 | PWMCON | PWM1CKS | | PWM1DL | | PWM0CKS | | PWM0DL | |
| A2h | 0000-0000 | P1MODL | P1MOD3 | | P1MOD2 | | P1MOD1 | | P1MOD0 | |
| A3h | 0000-0000 | P1MODH | P1MOD7 | | P1MOD6 | | P1MOD5 | | P1MOD4 | |
| A4h | 0101-0101 | P3MODL | P3MOD3 | | P3MOD2 | | P3MOD1 | | P3MOD0 | |
| A5h | 0x00-0000 | P3MODH | T0OE | - | P3MOD6 | | P3MOD5 | | P3MOD4 | |
| A6h | 0000-00xx | PINMOD | PWM1AOE | PWM1BOE | PWM0AOE | PWM0BOE | TCOE | T2OE | - | - |
| A8h | 0x00-0000 | IE | EA | - | ET2 | ES | ET1 | EX1 | ET0 | EX0 |
| A9h | 0000-0000 | INTE1 | IAPWE | | | SPIE | ADTKIE | EX2 | P1IE | TM3IE |
| AAh | xxxx-xxxx | ADTKDT | ADC DL | | | | TKEOC | TKOVF | TKDH | |
| ABh | xxxx-xxxx | ADC DH | ADC DH | | | | | | | |
| ACH | xxxx-xxxx | TKDL | TKDL | | | | | | | |
| ADh | 1xxx-x100 | TKCON | TKPD | - | - | - | - | TKTMR | | |
| A Eh | 1111-1111 | CHSEL | ADCHS | | | | TKCHS | | | |
| A Fh | xxxx-0011 | TKCON2 | ATKDT | | | | TKAUTO | ATKRATE | ATKNUM | |
| B0h | 1111-1111 | P3 | P3.7 | P3.6 | P3.5 | P3.4 | P3.3 | P3.2 | P3.1 | P3.0 |
| B1h | 01xx-x100 | LCDCON | LCDON | LCDDUTY | - | - | - | LCDBRIT | | |
| B2h | 0000-00xx | LCDCON2 | LCDCKS | LCDPSC | | SELLED | LEDPOL | LEDDTE | - | - |
| B3h | 0000-0000 | LCDPIN | LCDPIN7 | LCDPIN6 | LCDPIN5 | LCDPIN4 | LCDPIN3 | LCDPIN2 | LCDPIN1 | LCDPIN0 |
| B8h | xx00-0000 | IP | - | - | PT2 | PS | PT1 | PX1 | PT0 | PX0 |
| B9h | xx00-0000 | IPH | - | - | PT2H | PSH | PT1H | PX1H | PT0H | PX0H |
| BAh | xxx0-0000 | IP1 | - | - | - | PSPI | PADTKI | PX2 | PP1 | PT3 |

| Adr | Rst | Name | Bit 7 | Bit 6 | Bit 5 | Bit 4 | Bit 3 | Bit 2 | Bit 1 | Bit 0 |
|-----|-----------|----------------|---------|---------|-------|--------|---------|--------|--------|--------|
| BBh | xxx0-0000 | IP1H | – | – | – | PSPIH | PADTKIH | PX2H | PP1H | PT3H |
| BCh | 0000-0000 | SPCON | SPEN | MSTR | CPOL | CPHA | SSDIS | LSBF | SPCR | |
| BDh | 0000-0xxx | SPSTA | SPIF | WCOL | MODF | RCVOVF | RCVBF | SPBSY | – | – |
| BEh | 0000-0000 | SPDAT | SPDAT | | | | | | | |
| C2h | x000-x000 | ATKC10H | – | ATKC1H | | | – | ATKC0H | | |
| C3h | x000-x000 | ATKC32H | – | ATKC3H | | | – | ATKC2H | | |
| C4h | 0100-0000 | ATKC0L | ATKC0L | | | | | | | |
| C5h | 0100-0000 | ATKC1L | ATKC1L | | | | | | | |
| C6h | 0100-0000 | ATKC2L | ATKC2L | | | | | | | |
| C7h | 0100-0000 | ATKC3L | ATKC3L | | | | | | | |
| C8h | 0000-0000 | T2CON | TF2 | EXF2 | RCLK | TCLK | EXEN2 | TR2 | CT2N | CPRL2N |
| CAh | 0000-0000 | RCP2L | RCP2L | | | | | | | |
| CBh | 0000-0000 | RCP2H | RCP2H | | | | | | | |
| CCh | 0000-0000 | TL2 | TL2 | | | | | | | |
| CDh | 0000-0000 | TH2 | TH2 | | | | | | | |
| D0h | 0000-0000 | PSW | CY | AC | F0 | RS1 | RS0 | OV | F1 | P |
| D8h | 00x0-0011 | CLKCON | SCKTYPE | FCKTYPE | – | STPPCK | STPFCK | SELFCK | CLKPSC | |
| E0h | 0000-0000 | ACC | ACC.7 | ACC.6 | ACC.5 | ACC.4 | ACC.3 | ACC.2 | ACC.1 | ACC.0 |
| F0h | 0000-0000 | B | B.7 | B.6 | B.5 | B.4 | B.3 | B.2 | B.1 | B.0 |
| F7h | xxxx-xxxx | CFGWL | WDTE | | – | FRCF | | | | |
| F8h | 0000-0xx0 | AUX1 | CLRWDT | CLRTM3 | TKSOC | ADSOC | CLRPWM0 | – | – | DPSEL |

| Flash Address | Name | Bit 7 | Bit 6 | Bit 5 | Bit 4 | Bit 3 | Bit 2 | Bit 1 | Bit 0 |
|---------------|--------------|-------|-------|-------|-------|--------|---------|---------|-------|
| 1FFEh | CFGWL | – | – | – | FRCF | | | | |
| 1FFFh | CFGWH | PROT | XRSTE | LVRE | | VCCFLT | PWRSVAV | MVCLOCK | – |

SFR & CFGW DESCRIPTION

| SFR Adr | SFR Name | Bit # | Bit Name | R/W | Rst | Description |
|---------|----------|-------|----------|-----|-----|--|
| 80h | P0 | 7~0 | P0 | R/W | FFh | Port0 data, also controls the P0.n pin's pull-up function. If the P0.n SFR data is "1" and the corresponding P0OE.n=0 (input mode), the pull-up is enabled. |
| 81h | SP | 7~0 | SP | R/W | 07h | Stack Point |
| 82h | DPL | 7~0 | DPL | R/W | 00h | Data Point low byte |
| 83h | DPH | 7~0 | DPH | R/W | 00h | Data Point high byte |
| 87h | PCON | 7 | SMOD | R/W | 0 | UART double baud rate control bit 0: Disable UART double baud rate 1: Enable UART double baud rate |
| | | 3 | GF1 | R/W | 0 | General purpose flag bit |
| | | 2 | GF0 | R/W | 0 | General purpose flag bit |
| | | 1 | PD | R/W | 0 | Stop bit. If 1 Stop mode is entered. |
| | | 0 | IDL | R/W | 0 | Idle bit. If 1, Idle mode is entered. |
| 88h | TCON | 7 | TF1 | R/W | 0 | Timer1 overflow flag Set by H/W when Timer/Counter 1 overflows. Cleared by H/W when CPU vectors into the interrupt service routine. |
| | | 6 | TR1 | R/W | 0 | Timer1 run control 0: Timer1 stops 1: Timer1 runs |
| | | 5 | TF0 | R/W | 0 | Timer0 overflow flag Set by H/W when Timer/Counter 0 overflows. Cleared by H/W when CPU vectors into the interrupt service routine. |
| | | 4 | TR0 | R/W | 0 | Timer0 run control 0: Timer0 stops 1: Timer0 runs |
| | | 3 | IE1 | R/W | 0 | External Interrupt 1 (INT1 pin) edge flag Set by H/W when an INT1 pin falling edge is detected, no matter the EX1 is 0 or 1. It is cleared automatically when the program performs the interrupt service routine. |
| | | 2 | IT1 | R/W | 0 | External Interrupt 1 control bit 0: Low level active (level triggered) for INT1 pin 1: Falling edge active (edge triggered) for INT1 pin |
| | | 1 | IE0 | R/W | 0 | External Interrupt 0 (INT0 pin) edge flag Set by H/W when an INT0 pin falling edge is detected, no matter the EX0 is 0 or 1. It is cleared automatically when the program performs the interrupt service routine. |
| | | 0 | IT0 | R/W | 0 | External Interrupt 0 control bit 0: Low level active (level triggered) for INT0 pin 1: Falling edge active (edge triggered) for INT0 pin |
| 89h | TMOD | 7 | GATE1 | R/W | 0 | Timer1 gating control bit 0: Timer1 enable when TR1 bit is set 1: Timer1 enable only while the INT1 pin is high and TR1 bit is set |
| | | 6 | CT1N | R/W | 0 | Timer1 Counter/Timer select bit 0: Timer mode, Timer1 data increases at 2 System clock cycle rate 1: Counter mode, Timer1 data increases at T1 pin's negative edge |

| SFR Adr | SFR Name | Bit # | Bit Name | R/W | Rst | Description |
|---------|----------|-------|----------|-----|------|---|
| 89h | TMOD | 5~4 | TMOD1 | R/W | 00 | Timer1 mode select 00: 8-bit timer/counter (TH1) and 5-bit prescaler (TL1) 01: 16-bit timer/counter 10: 8-bit auto-reload timer/counter (TL1). Reloaded from TH1 at overflow. 11: Timer1 stops |
| | | 3 | GATE0 | R/W | 0 | Timer0 gating control bit 0: Timer0 enable when TR0 bit is set 1: Timer0 enable only while the INT0 pin is high and TR0 bit is set |
| | | 2 | CT0N | R/W | 0 | Timer0 Counter/Timer select bit 0: Timer mode, Timer0 data increases at 2 System clock cycle rate 1: Counter mode, Timer0 data increases at T0 pin's negative edge |
| | | 1~0 | TMOD0 | R/W | 00 | Timer0 mode select 00: 8-bit timer/counter (TH0) and 5-bit prescaler (TL0) 01: 16-bit timer/counter 10: 8-bit auto-reload timer/counter (TL0). Reloaded from TH0 at overflow. 11: TL0 is an 8-bit timer/counter. TH0 is an 8-bit timer/counter using Timer1's TR1 and TF1 bits. |
| 8Ah | TL0 | 7~0 | TL0 | R/W | 00h | Timer0 data low byte |
| 8Bh | TL1 | 7~0 | TL1 | R/W | 00h | Timer1 data low byte |
| 8Ch | TH0 | 7~0 | TH0 | R/W | 00h | Timer0 data high byte |
| 8Dh | TH1 | 7~0 | TH1 | R/W | 00h | Timer1 data high byte |
| 90h | P1 | 7~0 | P1 | R/W | FFh | Port1 data |
| 91h | P0OE | 7~0 | P0OE | R/W | 00h | Port0 CMOS Push-Pull output enable control 0: Disable 1: Enable |
| 93h | P2MOD | 7~4 | P2OE | R/W | 0000 | P2.5~P2.2 CMOS Push-Pull output enable control 0: Disable 1: Enable |
| | | 3~2 | P2MOD1 | R/W | 01 | P2.1 pin control |
| | | 1~0 | P2MOD0 | R/W | 01 | P2.0 pin control |
| 94h | OPTION | 7 | UART1W | R/W | 0 | One wire UART mode enable, both TXD/RXD use P3.1 pin 0: Disable one wire UART mode 1: Enable one wire UART mode |
| | | 6 | MODE3V | R/W | 0 | 3V mode selection control bit If this bit is set, the Chip can be only operated in the condition of $V_{CC} < 3.6V$, and LDO is turned off to save current |
| | | 5~4 | WDTPSC | R/W | 00 | Watchdog Timer pre-scalar time select 00: 360ms WDT overflow rate 01: 180ms WDT overflow rate 10: 90ms WDT overflow rate 11: 45ms WDT overflow rate |

| SFR Adr | SFR Name | Bit # | Bit Name | R/W | Rst | Description |
|---------|----------|-------|----------|-----|-----|---|
| 94h | OPTION | 3~2 | ADCKS | R/W | 00 | ADC clock rate select 00: F _{SYSCLK} /32 01: F _{SYSCLK} /16 10: F _{SYSCLK} /8 11: F _{SYSCLK} /4 |
| | | 1~0 | TM3PSC | R/W | 00 | Timer3 interrupt rate control select 00: Interrupt rate is 32768 Slow clock cycle 01: Interrupt rate is 16384 Slow clock cycle 10: Interrupt rate is 8192 Slow clock cycle 11: Interrupt rate is 128 Slow clock cycle |
| 95h | INTFLG | 7 | LVDO | R | | Low Voltage Detect flag Set by H/W when a low voltage occurs. The flag is valid when LVR is 2.0V. This flag is disabled in Stop mode or if MODE3V=1 and PWRSAV=1. |
| | | 5 | TKIF | R/W | 0 | Touch Key interrupt flag In the S/W Manual mode: Set by H/W at the end of conversion. S/W writes DFh to INTFLG or sets the TKSOC bit to clear this flag. In the ATK mode: Set by H/W when a TK channel's touch event is detected. It is cleared automatically when the program performs the interrupt service routine. S/W can write DFh to INTFLG to clear this bit. Note: In ATK mode, this flag may be cleared improperly by ADC module. User should not start the ADC conversion in ATK mode. |
| | | 4 | ADIF | R/W | 0 | ADC interrupt flag Set by H/W at the end of conversion. S/W writes EFh to INTFLG or sets the ADSOC bit to clear this flag. |
| | | 2 | IE2 | R/W | 0 | External Interrupt 2 (INT2 pin) edge flag Set by H/W when a falling edge is detected on the INT2 pin state, no matter the EX2 is 0 or 1. It is cleared automatically when the program performs the interrupt service routine. S/W can write FBh to INTFLG to clear this bit. |
| | | 1 | P1IF | R/W | 0 | Port1 pin change interrupt flag Set by H/W when a P1 pin state change is detected, and its interrupt enable bit is set (P1WKUP). P1IE does not affect this flag's setting. It is cleared automatically when the program performs the interrupt service routine. S/W can write FDh to INTFLG to clear this bit. |
| | | 0 | TF3 | R/W | 0 | Timer 3 interrupt flag Set by H/W when Timer3 reaches TM3PSC setting cycles. It is cleared automatically when the program performs the interrupt service routine. S/W can write FEh to INTFLG to clear this bit. |
| 96h | P1WKUP | 7~0 | P1WKUP | R/W | 00h | P1.7~P1.0 pin individual Wake up/Interrupt enable control 0: Disable 1: Enable |
| 97h | SWCMD | 7~0 | SWRST | W | | Write 56h to generate S/W Reset |
| | | 7~0 | IAPALL | W | | Write 65h to set IAPALL control flag; Write other value to clear IAPALL flag. It is recommended to clear it immediately after IAP access. |
| | | 0 | IAPALL | R | 0 | Flag indicates Flash memory sectors can be accessed by IAP or not. This bit combines with MVCLOCK to define the accessible IAP area. |

| SFR Adr | SFR Name | Bit # | Bit Name | R/W | Rst | Description |
|---------|----------|-------|----------|-----|-----|--|
| 98h | SCON | 7 | SM0 | R/W | 0 | Serial port mode select bit 0,1 00: Mode0: 8 bit shift register, Baud Rate= $F_{SYSCLK}/2$ 01: Mode1: 8 bit UART, Baud Rate is variable 10: Mode2: 9 bit UART, Baud Rate = $F_{SYSCLK}/32$ or $/64$ 11: Mode3: 9 bit UART, Baud Rate is variable |
| | | 6 | SM1 | R/W | 0 | |
| | | 5 | SM2 | R/W | 0 | Serial port mode select bit 2 SM2 enables multiprocessor communication over a single serial line and modifies the above as follows. In Modes 2 & 3, if SM2 is set then the received interrupt will not be generated if the received ninth data bit is 0. In Mode 1, the received interrupt will not be generated unless a valid stop bit is received. In Mode 0, SM2 should be 0. |
| | | 4 | REN | R/W | 0 | UART reception enable 0: Disable reception 1: Enable reception |
| | | 3 | TB8 | R/W | 0 | Transmit Bit 8, the ninth bit to be transmitted in Mode 2 and 3 |
| | | 2 | RB8 | R/W | 0 | Receive Bit 8, contains the ninth bit that was received in Mode 2 and 3 or the stop bit in Mode 1 if SM2=0 |
| | | 1 | TI | R/W | 0 | Transmit interrupt flag Set by H/W at the end of the eighth bit in Mode 0, or at the beginning of the stop bit in other modes. Must be cleared by S/W. |
| | | 0 | RI | R/W | 0 | Receive interrupt flag Set by H/W at the end of the eighth bit in Mode 0, or at the sampling point of the stop bit in other modes. Must be cleared by S/W. |
| 99h | SBUF | 7~0 | SBUF | R/W | | UART transmit and receive data. Transmit data is written to this location and receive data is read from this location, but the paths are independent. |
| 9Ah | PWM0PRD | 7~0 | PWM0PRD | R/W | FFh | PWM0 8-bit period register |
| 9Bh | PWM0DH | 7~0 | PWM0DH | R/W | 80h | bits 9~2 of the PWM0 10-bit duty register |
| 9Ch | PWM1PRD | 7~0 | PWM1PRD | R/W | FFh | PWM1 8-bit period register |
| 9Dh | PWM1DH | 7~0 | PWM1DH | R/W | 80h | bits 9~2 of the PWM1 10-bit duty register |
| A0h | P2 | 7~0 | P2 | R/W | FFh | Port2 data, also controls the P2.n pin's pull-up function. If the P2.n SFR data is "1" and the corresponding P2OE.n=0 (input mode), the pull-up is enabled. |
| A1h | PWMCON | 7~6 | PWM1CKS | R/W | 10 | PWM1 clock source 00: $F_{SYSCLK}/4$ 01: $F_{SYSCLK}/2$ 10: F_{SYSCLK} 11: FRCx2 |
| | | 5~4 | PWM1DL | R/W | 00 | bits 1~0 of the PWM1 10-bit duty register |
| | | 3~2 | PWM0CKS | R/W | 10 | PWM0 clock source 00: $F_{SYSCLK}/4$ 01: $F_{SYSCLK}/2$ 10: F_{SYSCLK} 11: FRCx2 |
| | | 1~0 | PWM0DL | R/W | 00 | bits 1~0 of the PWM0 10-bit duty register |
| A2h | P1MODL | 7~6 | P1MOD3 | R/W | 00 | P1.3 pin control |
| | | 5~4 | P1MOD2 | R/W | 00 | P1.2 pin control |
| | | 3~2 | P1MOD1 | R/W | 00 | P1.1 pin control |
| | | 1~0 | P1MOD0 | R/W | 00 | P1.0 pin control |

| SFR Adr | SFR Name | Bit # | Bit Name | R/W | Rst | Description |
|---------|----------|-------|----------|-----|-----|---|
| A3h | P1MODH | 7~6 | P1MOD7 | R/W | 00 | P1.7 pin control |
| | | 5~4 | P1MOD6 | R/W | 00 | P1.6 pin control |
| | | 3~2 | P1MOD5 | R/W | 00 | P1.5 pin control |
| | | 1~0 | P1MOD4 | R/W | 00 | P1.4 pin control |
| A4h | P3MODL | 7~6 | P3MOD3 | R/W | 01 | P3.3 pin control |
| | | 5~4 | P3MOD2 | R/W | 01 | P3.2 pin control |
| | | 3~2 | P3MOD1 | R/W | 01 | P3.1 pin control |
| | | 1~0 | P3MOD0 | R/W | 01 | P3.0 pin control |
| A5h | P3MODH | 7 | T0OE | R/W | 0 | Timer0 signal output (T0O) control 0: Disable Timer0 overflow divided by 64 output to P3.4 1: Enable Timer0 overflow divided by 64 output to P3.4 |
| | | 5~4 | P3MOD6 | R/W | 00 | P3.6 pin control |
| | | 3~2 | P3MOD5 | R/W | 00 | P3.5 pin control |
| | | 1~0 | P3MOD4 | R/W | 00 | P3.4 pin control |
| A6h | PINMOD | 7 | PWM1AOE | R/W | 0 | PWM1A signal output enable 0: Disable PWM1A signal output to P1.3 1: Enable PWM1A signal output to P1.3 |
| | | 6 | PWM1BOE | R/W | 0 | PWM1B signal output enable (PWM1A and PWM1B signals are identical) 0: Disable PWM1B signal output to P2.3 1: Enable PWM1B signal output to P2.3 |
| | | 5 | PWM0AOE | R/W | 0 | PWM0A signal output enable 0: Disable PWM0A signal output to P1.2 1: Enable PWM0A signal output to P1.2 |
| | | 4 | PWM0BOE | R/W | 0 | PWM0B signal output enable (PWM0A and PWM0B signals are identical) 0: Disable PWM0B signal output to P2.2 1: Enable PWM0B signal output to P2.2 |
| | | 3 | TCOE | R/W | 0 | TCOE: System clock signal output (CKO) control 0: Disable System clock divided by 2 output to P1.4 1: Enable System clock divided by 2 output to P1.4 |
| | | 2 | T2OE | R/W | 0 | Timer2 signal output (T2O) enable 0: Disable Timer2 overflow divided by 2 output to P1.0 1: Enable Timer2 overflow divided by 2 output to P1.0 |
| A8h | IE | 7 | EA | R/W | 0 | Global interrupt enable 0: Disable all interrupts 1: Each interrupt is enabled or disabled by its individual interrupt control bit |
| | | 5 | ET2 | R/W | 0 | Timer2 interrupt enable 0: Disable Timer2 interrupt 1: Enable Timer2 interrupt |
| | | 4 | ES | R/W | 0 | Serial Port (UART) interrupt enable 0: Disable Serial Port (UART) interrupt 1: Enable Serial Port (UART) interrupt |
| | | 3 | ET1 | R/W | 0 | Timer1 interrupt enable 0: Disable Timer1 interrupt 1: Enable Timer1 interrupt |

| SFR Adr | SFR Name | Bit # | Bit Name | R/W | Rst | Description |
|---------|----------|-------|----------|-----|-----|---|
| A8h | IE | 2 | EX1 | R/W | 0 | INT1 pin Interrupt enable and Stop mode wake up enable 0: Disable INT1 pin Interrupt and Stop mode wake up 1: Enable INT1 pin Interrupt and Stop mode wake up, it can wake up CPU from Stop mode no matter EA is 0 or 1. |
| | | 1 | ET0 | R/W | 0 | Timer0 interrupt enable 0: Disable Timer0 interrupt 1: Enable Timer0 interrupt |
| | | 0 | EX0 | R/W | 0 | INT0 pin Interrupt enable and Stop mode wake up enable 0: Disable INT0 pin Interrupt and Stop mode wake up 1: Enable INT0 pin Interrupt and Stop mode wake up, it can wake up CPU from Stop mode no matter EA is 0 or 1. |
| A9h | INTE1 | 7~5 | IAPWE | R/W | 000 | Set to 101 to enable IAP write. It is recommended to clear it immediately after IAP write. |
| | | 4 | SPIE | R/W | 0 | SPI interrupt enable 0: Disable SPI interrupt 1: Enable SPI interrupt |
| | | 3 | ADTKIE | R/W | 0 | ADC/Touch Key (F5278 Only) interrupt enable 0: Disable ADC/Touch Key (F5278 Only) interrupt 1: Enable ADC/Touch Key (F5278 Only) interrupt |
| | | 2 | EX2 | R/W | 0 | INT2 pin Interrupt enable and Stop mode wake up enable 0: Disable INT2 pin Interrupt and Stop mode wake up 1: Enable INT2 pin Interrupt and Stop mode wake up, it can wake up CPU from Stop mode no matter EA is 0 or 1. |
| | | 1 | P1IE | R/W | 0 | Port1 pin change interrupt enable 0: Disable Port1 pin change interrupt 1: Enable Port1 pin change interrupt |
| | | 0 | TM3IE | R/W | 0 | Timer3 interrupt enable 0: Disable Timer3 interrupt 1: Enable Timer3 interrupt |
| AAh | ADTKDT | 7~4 | ADCDL | R | | ADC data bit 3~0 |
| | | 3 | TKEOC | R | | Touch Key end of conversion flag. TKEOC may have 3uS delay after TKSOC=1, so F/W must wait enough time before polling this Flag. 0: Indicates conversion is in progress 1: Indicates conversion is finished |
| | | 2 | TKOVF | R | | Touch Key counter overflow 0: Indicates that the counter has not overflow 1: Indicates that the counter has overflow |
| | | 1~0 | TKDH | R | | Touch Key counter data bit 9~8 |
| ABh | ADCDH | 7~0 | ADCDH | R | | ADC data bit 11~4 |
| ACh | TKDL | 7~0 | TKDL | R | | Touch Key counter data bit 7~0 |
| ADh | TKCON | 7 | TKPD | R/W | 1 | Touch Key power down 0: Touch Key running 1: Touch Key power down |
| | | 2~0 | TKTMR | R/W | 100 | Touch Key conversion time select TKTMR adjusts the value of Touch Key reference voltage. A larger value of TKTMR requires a longer charging time, which can affect the sensitivity of touch sensing. 000: Conversion time shortest ... |

| SFR Adr | SFR Name | Bit # | Bit Name | R/W | Rst | Description |
|---------|----------|-------|----------|-----|------|---|
| | | | | | | 111: Conversion time longest |
| AEh | CHSEL | 7~4 | ADCHS | R/W | 1111 | ADC channel select 0000: ADC0 (P3.3) 0001: ADC1 (P3.2) 0010: ADC2 (P3.1) 0011: ADC3 (P3.0) 0100: ADC4 (P1.0) 0101: ADC5 (P1.1) 0110: ADC6 (P1.2) 0111: ADC7 (P1.3) 1000: ADC8 (P1.4) 1001: ADC9 (P1.5) 1010: V _{SS} 1011: VBG (internal Bandgap reference voltage) 11xx: Undefined |
| | | 3~0 | TKCHS | R/W | 1111 | Touch Key channel select 0000: TK0 (P1.0) 0001: TK1 (P1.1) 0010: TK2 (P1.2) 0011: TK3 (P1.3) 0100: TK4 (P3.3) 0101: TK5 (P3.2) 0110: TK6 (P3.1) 0111: TK7 (P3.0) 1000: TK8 (P1.4) 1001: TK9 (P1.6) 1010: TK10 (P1.7) 1011: TK11 (P3.6) 1100: TK12 (P3.5) 1101: TK13 (P3.4) 1110: Undefined 1111: Internal reference capacitor |
| AFh | TKCON2 | 7~4 | ATKDT | R | | Touch Key Auto Scan Result (for H/W ATK Mode) xxx1: TK0 has a Touch event xx1x: TK1 has a Touch event x1xx: TK2 has a Touch event 1xxx: TK3 has a Touch event |
| | | 3 | TKAUTO | R/W | 0 | Touch Key Auto Scan Mode Enable 0: S/W Mode 1: H/W ATK Mode |
| | | 2 | ATKRATE | R/W | 0 | Touch Key Scan Rate (for H/W ATK Mode) 0: ATK scan rate at every 4096 Slow clock cycles 1: ATK scan rate at every 2048 Slow clock cycles |
| | | 1~0 | ATKNUM | R/W | 11 | Touch Key Auto Scan Channel Number (for H/W ATK Mode) 00: ATK only detect TK0 01: ATK detect TK0 and TK1 10: ATK detect TK0~TK2 11: ATK detect TK0~TK3 |
| B0h | P3 | 7~0 | P3 | R/W | FFh | Port3 data |

| SFR Adr | SFR Name | Bit # | Bit Name | R/W | Rst | Description |
|---------|----------|-------|----------|--|-----|---|
| B1h | LCDCON | 7 | LCDON | R/W | 0 | LCD/LED enable bit 0: LCD/LED disable 1: LCD/LED enable |
| | | 6 | LCDDUTY | R/W | 1 | LCD/LED duty select 0: 1/3 duty 1: 1/4 duty |
| | | 2~0 | LCDBRIT | R/W | 100 | LCD brightness select 000: (12/20) x V _{CC} 001: (12/19) x V _{CC} 010: (12/18) x V _{CC} 011: (12/17) x V _{CC} 100: (12/15) x V _{CC} 101: (12/14) x V _{CC} 110: (12/13) x V _{CC} 111: V _{CC} |
| B2h | LCDCON2 | 7 | LCDCKS | R/W | 0 | LCD/LED clock source select 0: SRC 1: SXT |
| | | 6~5 | LCDPSC | R/W | 00 | LCD/LED clock prescaler select 00: LCD/LED clock is divided by 256 01: LCD/LED clock is divided by 128 10: LCD/LED clock is divided by 64 11: LCD/LED clock is divided by 32 |
| | | 4 | SELLED | R/W | 0 | LED select mode 0: LCD mode 1: LED mode |
| | | 3 | LEDPOL | R/W | 0 | LED COM polarity select 0: Active low (with high sink) 1: Active high |
| | | 2 | LEDDTE | R/W | 0 | LED COM dead time enable 0: LED COM dead time disable 1: LED COM dead time enable |
| B3h | LCDPIN | 7 | LCDPIN7 | R/W | 0 | P3.2 (SEG17) LCD/LED mode enable |
| | | 6 | LCDPIN6 | R/W | 0 | P3.1 (SEG16) LCD/LED mode enable |
| | | 5 | LCDPIN5 | R/W | 0 | P3.0 (SEG15) LCD/LED mode enable |
| | | 4 | LCDPIN4 | R/W | 0 | P1.0 (SEG14) LCD/LED mode enable |
| | | 3 | LCDPIN3 | R/W | 0 | P1.1 (SEG13) LCD/LED mode enable |
| | | 2 | LCDPIN2 | R/W | 0 | P1.2 (SEG12) LCD/LED mode enable |
| | | 1 | LCDPIN1 | R/W | 0 | P1.3~P1.6 (SEG11~8) LCD/LED mode enable <i>Note:</i> SEG9 and Touch Key CLD share the same pin. If this bit is set, the Touch Key function would be affected. |
| 0 | LCDPIN0 | R/W | 0 | P1.7, P3.6~P3.4 (SEG7~4) LCD/LED mode enable 0: I/O mode 1: LCD/LED mode | | |
| B8h | IP | 5 | PT2 | R/W | 0 | Timer2 interrupt priority low bit |
| | | 4 | PS | R/W | 0 | Serial Port interrupt priority low bit |
| | | 3 | PT1 | R/W | 0 | Timer1 interrupt priority low bit |
| | | 2 | PX1 | R/W | 0 | INT1 interrupt priority low bit |
| | | 1 | PT0 | R/W | 0 | Timer0 interrupt priority low bit |
| | | 0 | PX0 | R/W | 0 | INT0 interrupt priority low bit |

| SFR Adr | SFR Name | Bit # | Bit Name | R/W | Rst | Description |
|---------|----------|-------|----------|-----|-----|---|
| B9h | IPH | 5 | PT2H | R/W | 0 | Timer2 interrupt priority high bit |
| | | 4 | PSH | R/W | 0 | Serial Port interrupt priority high bit |
| | | 3 | PT1H | R/W | 0 | Timer1 interrupt priority high bit |
| | | 2 | PX1H | R/W | 0 | INT1 interrupt priority high bit |
| | | 1 | PT0H | R/W | 0 | Timer0 interrupt priority high bit |
| | | 0 | PX0H | R/W | 0 | INT0 interrupt priority high bit |
| BAh | IP1 | 4 | PSPI | R/W | 0 | SPI interrupt priority low bit |
| | | 3 | PADTKI | R/W | 0 | ADC/Touch Key interrupt priority low bit |
| | | 2 | PX2 | R/W | 0 | INT2 interrupt priority low bit |
| | | 1 | PP1 | R/W | 0 | Port1 pin change interrupt priority low bit |
| | | 0 | PT3 | R/W | 0 | Timer3 interrupt priority low bit |
| BBh | IP1H | 4 | PSPIH | R/W | 0 | SPI interrupt priority high bit |
| | | 3 | PADTKIH | R/W | 0 | ADC/Touch Key interrupt priority high bit |
| | | 2 | PX2H | R/W | 0 | INT2 interrupt priority high bit |
| | | 1 | PP1H | R/W | 0 | Port1 interrupt priority high bit |
| | | 0 | PT3H | R/W | 0 | Timer3 interrupt priority high bit |
| BCh | SPCON | 7 | SPEN | R/W | 0 | SPI enable 0: SPI disable 1: SPI enable |
| | | 6 | MSTR | R/W | 0 | Master mode enable 0: Slave mode 1: Master mode |
| | | 5 | CPOL | R/W | 0 | SPI clock polarity 0: SCK is low in idle state 1: SCK is high in idle state |
| | | 4 | CPHA | R/W | 0 | SPI clock phase 0: Data sample on first edge of SCK period 1: Data sample on second edge of SCK period |
| | | 3 | SSDIS | R/W | 0 | SS pin disable 0: Enable SS pin 1: Disable SS pin |
| | | 2 | LSBF | R/W | 0 | LSB first 0: MSB first 1: LSB first |
| | | 1~0 | SPCR | R/W | 00 | SPI clock rate 00: $F_{SYSCLK}/2$ 01: $F_{SYSCLK}/4$ 10: $F_{SYSCLK}/8$ 11: $F_{SYSCLK}/16$ |
| BDh | SPSTA | 7 | SPIF | R/W | 0 | SPI interrupt flag This is set by H/W at the end of a data transfer. Cleared by H/W when an interrupt is vectored into. Writing 0 to this bit will clear this flag. |
| | | 6 | WCOL | R/W | 0 | Write collision interrupt flag Set by H/W if write data to SPDAT when SPBSY is set. Write 0 to this bit or rewrite data to SPDAT when SPBSY is cleared will clear this flag. |
| | | 5 | MODF | R/W | 0 | Mode fault interrupt flag Set by H/W when SSDIS is cleared and SS pin is pulled low in Master mode. Write 0 to this bit will clear this flag. When this bit is set, the SPEN and MSTR in SPCON will be cleared by H/W. |

| SFR Adr | SFR Name | Bit # | Bit Name | R/W | Rst | Description |
|---------|----------|-------|----------|---|-----|--|
| BDh | SPSTA | 4 | RCVOVF | R/W | 0 | Received buffer overrun flag Set by H/W at the end of a data transfer and RCVBF is set. Write 0 to this bit or read SPDAT register will clear this flag. |
| | | 3 | RCVBF | R/W | 0 | Receive buffer full flag Set by H/W at the end of a data transfer. Write 0 to this bit or read SPDAT register will clear this flag. |
| | | 2 | SPBSY | R | | SPI busy flag Set by H/W when a SPI transfer is in progress. |
| BEh | SPDAT | 7~0 | SPDAT | R/W | 0 | SPI transmit and receive data The SPDAT register is used to transmit and receive data. Writing data to SPDAT place the data into shift register and start a transfer when in master mode. Reading SPDAT returns the contents of the receive buffer. |
| C2h | ATKC10H | 6~4 | ATKC1H | R/W | 000 | Data Threshold bit 10~8 Compared with TK1 scan (for H/W ATK Mode) |
| | | 2~0 | ATKC0H | R/W | 000 | Data Threshold bit 10~8 Compared with TK0 scan (for H/W ATK Mode) |
| C3h | ATKC32H | 6~4 | ATKC3H | R/W | 000 | Data Threshold bit 10~8 Compared with TK3 scan (for H/W ATK Mode) |
| | | 2~0 | ATKC2H | R/W | 000 | Data Threshold bit 10~8 Compared with TK2 scan (for H/W ATK Mode) |
| C4h | ATKC0L | 7~0 | ATKC0L | R/W | 40h | Data Threshold bit 7~0 Compared with TK0 scan (for H/W ATK Mode) |
| C5h | ATKC1L | 7~0 | ATKC1L | R/W | 40h | Data Threshold bit 7~0 Compared with TK1 scan (for H/W ATK Mode) |
| C6h | ATKC2L | 7~0 | ATKC2L | R/W | 40h | Data Threshold bit 7~0 Compared with TK2 scan (for H/W ATK Mode) |
| C7h | ATKC3L | 7~0 | ATKC3L | R/W | 40h | Data Threshold bit 7~0 Compared with TK3 scan (for H/W ATK Mode) |
| C8h | T2CON | 7 | TF2 | R/W | 0 | Timer2 overflow flag Set by H/W when Timer/Counter 2 overflows unless RCLK=1 or TCLK=1. This bit must be cleared by S/W. |
| | | 6 | EXF2 | R/W | 0 | T2EX interrupt pin falling edge flag Set when a capture or a reload is caused by a negative transition on T2EX pin if EXEN2=1. This bit must be cleared by S/W. |
| | | 5 | RCLK | R/W | 0 | UART receive clock control bit 0: Use Timer1 overflow as receive clock for serial port in mode 1 or 3 1: Use Timer2 overflow as receive clock for serial port in mode 1 or 3 |
| | | 4 | TCLK | R/W | 0 | UART transmit clock control bit 0: Use Timer1 overflow as transmit clock for serial port in mode 1 or 3 1: Use Timer2 overflow as transmit clock for serial port in mode 1 or 3 |
| | | 3 | EXEN2 | R/W | 0 | T2EX pin enable 0: T2EX pin disable 1: T2EX pin enable, it cause a capture or reload when a negative transition on T2EX pin is detected if RCLK = TCLK=0 |
| 2 | TR2 | R/W | 0 | Timer2 run control 0: Timer2 stops 1: Timer2 runs | | |

| SFR Adr | SFR Name | Bit # | Bit Name | R/W | Rst | Description |
|---------|----------|-------|----------|-----|-----|--|
| C8h | T2CON | 1 | CT2N | R/W | 0 | Timer2 Counter/Timer select bit 0: Timer mode, Timer2 data increases at 2 System clock cycle rate 1: Counter mode, Timer2 data increases at T2 pin's negative edge |
| | | 0 | CPRL2N | R/W | 0 | Timer2 Capture/Reload control bit 0: Reload mode, auto-reload on Timer2 overflows or negative transitions on T2EX pin if EXEN2=1 1: Capture mode, capture on negative transitions on T2EX pin if EXEN2=1 If RCLK=1 or TCLK=1, CPRL2N is ignored and timer is forced to auto-reload on Timer2 overflow |
| CAh | RCP2L | 7~0 | RCP2L | R/W | 00h | Timer2 reload/capture data low byte |
| CBh | RCP2H | 7~0 | RCP2H | R/W | 00h | Timer2 reload/capture data high byte |
| CCh | TL2 | 7~0 | TL2 | R/W | 00h | Timer2 data low byte |
| CDh | TH2 | 7~0 | TH2 | R/W | 00h | Timer2 data high byte |
| D0h | PSW | 7 | CY | R/W | 0 | ALU carry flag |
| | | 6 | AC | R/W | 0 | ALU auxiliary carry flag |
| | | 5 | F0 | R/W | 0 | General purpose user-definable flag |
| | | 4 | RS1 | R/W | 0 | The contents of (RS1, RS0) enable the working register banks as: 00: Bank 0 (00h~07h) 01: Bank 1 (08h~0Fh) 10: Bank 2 (10h~17h) 11: Bank 3 (18h~1Fh) |
| | | 3 | RS0 | R/W | 0 | |
| | | 2 | OV | R/W | 0 | ALU overflow flag |
| | | 1 | F1 | R/W | 0 | General purpose user-definable flag |
| | | 0 | P | R/W | 0 | Parity flag. Set/cleared by hardware each instruction cycle to indicate odd/even number of "one" bits in the accumulator. |
| D8h | CLKCON | 7 | SCKTYPE | R/W | 0 | Slow clock type. This bit can be changed only in Fast mode (SELFCK=1). 0: SRC 1: SXT |
| | | 6 | FCKTYPE | R/W | 0 | Fast clock type. This bit can be changed only in Slow mode (SELFCK=0). 0: FRC 1: FXT |
| | | 4 | STPPCK | R/W | 0 | Set 1 to stop UART/Timer0/Timer1/Timer2/ADC clock in Idle mode |
| | | 3 | STPFCK | R/W | 0 | Set 1 to stop Fast clock for power saving in Slow/Idle mode. This bit can be changed only in Slow mode. |
| | | 2 | SELFCK | R/W | 0 | System clock source selection. This bit can be changed only when STPFCK=0. 0: Slow clock 1: Fast clock |
| | | 1~0 | CLKPSC | R/W | 11 | System clock prescaler. 00: System clock is Fast/Slow clock divided by 16 01: System clock is Fast/Slow clock divided by 4 10: System clock is Fast/Slow clock divided by 2 11: System clock is Fast/Slow clock divided by 1 |
| | | E0h | ACC | 7~0 | ACC | R/W |
| F0h | B | 7~0 | B | R/W | 00h | B register |

| SFR Adr | SFR Name | Bit # | Bit Name | R/W | Rst | Description |
|---------|----------|-------|----------|-----|-----|--|
| F7h | CFGWL | 7~6 | WDTE | R/W | | Watchdog Timer Reset control 0x: Watchdog Timer Reset disable 10: Watchdog Timer Reset enable in Fast/Slow mode, disable in Idle/Stop mode 11: Watchdog Timer Reset always enable |
| | | 4~0 | FRCF | R/W | | Fast RC frequency adjustment |
| F8h | AUX1 | 7 | CLRWDT | R/W | 0 | Set to clear WDT, H/W auto clear it at next clock cycle |
| | | 6 | CLRTM3 | R/W | 0 | Set to clear Timer3, H/W auto clear it at next clock cycle |
| | | 5 | TKSOC | R/W | 0 | Start Touch Key conversion Set the TKSOC bit to start Touch Key conversion, and the TKSOC bit will be cleared by H/W at the end of conversion. S/W can also write 0 to clear this flag. |
| | | 4 | ADSOC | R/W | 0 | Start ADC conversion Set the ADSOC bit to start ADC conversion, and the ADSOC bit will be cleared by H/W at the end of conversion. S/W can also write 0 to clear this flag. |
| | | 3 | CLRPWM0 | R/W | 0 | PWM0 clear enable 0: PWM0 is running 1: PWM0 is cleared and held |
| | | 0 | DPSEL | R/W | 0 | Active DPTR Select |

| Flash Adr | Bit # | Name | Description |
|-----------|-------|---------|---|
| 1FFEh | 4~0 | FRCF | Fast RC frequency adjustment |
| 1FFFh | 7 | PROT | Flash Memory Code Protect 0: Disable protect 1: Enable protect |
| | 6 | XRSTE | External Pin Reset control 0: Disable External Pin Reset 1: Enable External Pin Reset |
| | 5~4 | LVRE | Low Voltage Reset function select 00: Set LVR at 2.9V 01: Set LVR at 2.3V 10: LVR disable and set LVD at 2.3V(F5274B/78B) 11: Set LVR at 1.8V and LVD at 2.3V(F5274B/78B) 1x: Set LVR at 2.0V and LVD at 2.3V (F5274C/78C) |
| | 3 | VCCFLT | Set 1 to enhance the Chip's power noise immunity |
| | 2 | PWRSVAV | Power save function control bit 0: Disable Power save function 1: Enable Power save function |
| | 1 | MVCLOCK | If 1, the MOVC & MOVX instruction's accessibility to MOVC-Lock area is limited. |

INSTRUCTION SET

Instructions are 1, 2 or 3 Bytes long as listed in the 'byte' column below. Each instruction takes 2~8 System clock cycles to execute as listed in the 'cycle' column below.

| ARITHMETIC | | | | |
|---------------|---|------|-------|--------|
| Mnemonic | Description | byte | cycle | opcode |
| ADD A, Rn | Add register to A | 1 | 2 | 28-2F |
| ADD A, dir | Add direct byte to A | 2 | 2 | 25 |
| ADD A, @Ri | Add indirect memory to A | 1 | 2 | 26-27 |
| ADD A, #data | Add immediate to A | 2 | 2 | 24 |
| ADDC A, Rn | Add register to A with carry | 1 | 2 | 38-3F |
| ADDC A, dir | Add direct byte to A with carry | 2 | 2 | 35 |
| ADDC A, @Ri | Add indirect memory to A with carry | 1 | 2 | 36-37 |
| ADDC A, #data | Add immediate to A with carry | 2 | 2 | 34 |
| SUBB A, Rn | Subtract register from A with borrow | 1 | 2 | 98-9F |
| SUBB A, dir | Subtract direct byte from A with borrow | 2 | 2 | 95 |
| SUBB A, @Ri | Subtract indirect memory from A with borrow | 1 | 2 | 96-97 |
| SUBB A, #data | Subtract immediate from A with borrow | 2 | 2 | 94 |
| INC A | Increment A | 1 | 2 | 04 |
| INC Rn | Increment register | 1 | 2 | 08-0F |
| INC dir | Increment direct byte | 2 | 2 | 05 |
| INC @Ri | Increment indirect memory | 1 | 2 | 06-07 |
| DEC A | Decrement A | 1 | 2 | 14 |
| DEC Rn | Decrement register | 1 | 2 | 18-1F |
| DEC dir | Decrement direct byte | 2 | 2 | 15 |
| DEC @Ri | Decrement indirect memory | 1 | 2 | 16-17 |
| INC DPTR | Increment data pointer | 1 | 4 | A3 |
| MUL AB | Multiply A by B | 1 | 8 | A4 |
| DIV AB | Divide A by B | 1 | 8 | 84 |
| DA A | Decimal Adjust A | 1 | 2 | D4 |

| LOGICAL | | | | |
|----------------|---------------------------------------|------|-------|--------|
| Mnemonic | Description | byte | cycle | opcode |
| ANL A, Rn | AND register to A | 1 | 2 | 58-5F |
| ANL A, dir | AND direct byte to A | 2 | 2 | 55 |
| ANL A, @Ri | AND indirect memory to A | 1 | 2 | 56-57 |
| ANL A, #data | AND immediate to A | 2 | 2 | 54 |
| ANL dir, A | AND A to direct byte | 2 | 2 | 52 |
| ANL dir, #data | AND immediate to direct byte | 3 | 4 | 53 |
| ORL A, Rn | OR register to A | 1 | 2 | 48-4F |
| ORL A, dir | OR direct byte to A | 2 | 2 | 45 |
| ORL A, @Ri | OR indirect memory to A | 1 | 2 | 46-47 |
| ORL A, #data | OR immediate to A | 2 | 2 | 44 |
| ORL dir, A | OR A to direct byte | 2 | 2 | 42 |
| ORL dir, #data | OR immediate to direct byte | 3 | 4 | 43 |
| XRL A, Rn | Exclusive-OR register to A | 1 | 2 | 68-6F |
| XRL A, dir | Exclusive-OR direct byte to A | 2 | 2 | 65 |
| XRL A, @Ri | Exclusive-OR indirect memory to A | 1 | 2 | 66-67 |
| XRL A, #data | Exclusive-OR immediate to A | 2 | 2 | 64 |
| XRL dir, A | Exclusive-OR A to direct byte | 2 | 2 | 62 |
| XRL dir, #data | Exclusive-OR immediate to direct byte | 3 | 4 | 63 |
| CLR A | Clear A | 1 | 2 | E4 |
| CPL A | Complement A | 1 | 2 | F4 |
| SWAP A | Swap Nibbles of A | 1 | 2 | C4 |
| RL A | Rotate A left | 1 | 2 | 23 |

| LOGICAL | | | | |
|-----------------|------------------------------|-------------|--------------|---------------|
| Mnemonic | Description | byte | cycle | opcode |
| RLC A | Rotate A left through carry | 1 | 2 | 33 |
| RR A | Rotate A right | 1 | 2 | 03 |
| RRC A | Rotate A right through carry | 1 | 2 | 13 |

| DATA TRANSFER | | | | |
|----------------------|---------------------------------------|-------------|--------------|---------------|
| Mnemonic | Description | byte | cycle | opcode |
| MOV A, Rn | Move register to A | 1 | 2 | E8-EF |
| MOV A, dir | Move direct byte to A | 2 | 2 | E5 |
| MOV A, @Ri | Move indirect memory to A | 1 | 2 | E6-E7 |
| MOV A, #data | Move immediate to A | 2 | 2 | 74 |
| MOV Rn, A | Move A to register | 1 | 2 | F8-FF |
| MOV Rn, dir | Move direct byte to register | 2 | 4 | A8-AF |
| MOV Rn, #data | Move immediate to register | 2 | 2 | 78-7F |
| MOV dir, A | Move A to direct byte | 2 | 2 | F5 |
| MOV dir, Rn | Move register to direct byte | 2 | 4 | 88-8F |
| MOV dir, dir | Move direct byte to direct byte | 3 | 4 | 85 |
| MOV dir, @Ri | Move indirect memory to direct byte | 2 | 4 | 86-87 |
| MOV dir, #data | Move immediate to direct byte | 3 | 4 | 75 |
| MOV @Ri, A | Move A to indirect memory | 1 | 2 | F6-F7 |
| MOV @Ri, dir | Move direct byte to indirect memory | 2 | 4 | A6-A7 |
| MOV @Ri, #data | Move immediate to indirect memory | 2 | 2 | 76-77 |
| MOV DPTR, #data | Move immediate to data pointer | 3 | 4 | 90 |
| MOVC A, @A+DPTR | Move code byte relative DPTR to A | 1 | 4 | 93 |
| MOVC A, @A+PC | Move code byte relative PC to A | 1 | 4 | 83 |
| MOVX A, @Ri | Move external data (A8) to A | 1 | 4 | E2-E3 |
| MOVX A, @DPTR | Move external data (A16) to A | 1 | 4 | E0 |
| MOVX @Ri, A | Move A to external data (A8) | 1 | 4 | F2-F3 |
| MOVX @DPTR, A | Move A to external data (A16) | 1 | 4 | F0 |
| PUSH dir | Push direct byte onto stack | 2 | 4 | C0 |
| POP dir | Pop direct byte from stack | 2 | 4 | D0 |
| XCH A, Rn | Exchange A and register | 1 | 2 | C8-CF |
| XCH A, dir | Exchange A and direct byte | 2 | 2 | C5 |
| XCH A, @Ri | Exchange A and indirect memory | 1 | 2 | C6-C7 |
| XCHD A, @Ri | Exchange A and indirect memory nibble | 1 | 2 | D6-D7 |

| BOOLEAN | | | | |
|-----------------|---------------------------------|-------------|--------------|---------------|
| Mnemonic | Description | byte | cycle | opcode |
| CLR C | Clear carry | 1 | 2 | C3 |
| CLR bit | Clear direct bit | 2 | 2 | C2 |
| SETB C | Set carry | 1 | 2 | D3 |
| SETB bit | Set direct bit | 2 | 2 | D2 |
| CPL C | Complement carry | 1 | 2 | B3 |
| CPL bit | Complement direct bit | 2 | 2 | B2 |
| ANL C, bit | AND direct bit to carry | 2 | 4 | 82 |
| ANL C, /bit | AND direct bit inverse to carry | 2 | 4 | B0 |
| ORL C, bit | OR direct bit to carry | 2 | 4 | 72 |
| ORL C, /bit | OR direct bit inverse to carry | 2 | 4 | A0 |
| MOV C, bit | Move direct bit to carry | 2 | 2 | A2 |
| MOV bit, C | Move carry to direct bit | 2 | 4 | 92 |

| BRANCHING | | | | |
|----------------------|---|-------------|--------------|---------------|
| Mnemonic | Description | byte | cycle | opcode |
| ACALL addr 11 | Absolute jump to subroutine | 2 | 4 | 11-F1 |
| LCALL addr 16 | Long jump to subroutine | 3 | 4 | 12 |
| RET | Return from subroutine | 1 | 4 | 22 |
| RETI | Return from interrupt | 1 | 4 | 32 |
| AJMP addr 11 | Absolute jump unconditional | 2 | 4 | 01-E1 |
| LJMP addr 16 | Long jump unconditional | 3 | 4 | 02 |
| SJMP rel | Short jump (relative address) | 2 | 4 | 80 |
| JC rel | Jump on carry=1 | 2 | 4 | 40 |
| JNC rel | Jump on carry=0 | 2 | 4 | 50 |
| JB bit, rel | Jump on direct bit=1 | 3 | 4 | 20 |
| JNB bit, rel | Jump on direct bit=0 | 3 | 4 | 30 |
| JBC bit, rel | Jump on direct bit=1 and clear | 3 | 4 | 10 |
| JMP @A+DPTR | Jump indirect relative DPTR | 1 | 4 | 73 |
| JZ rel | Jump on accumulator=0 | 2 | 4 | 60 |
| JNZ rel | Jump on accumulator ... 0 | 2 | 4 | 70 |
| CJNE A, dir, rel | Compare A,direct, jump not equal relative | 3 | 4 | B5 |
| CJNE A, #data, rel | Compare A,immediate, jump not equal relative | 3 | 4 | B4 |
| CJNE Rn, #data, rel | Compare register,immediate, jump not equal relative | 3 | 4 | B8-BF |
| CJNE @Ri, #data, rel | Compare indirect,immediate, jump not equal relative | 3 | 4 | B6-B7 |
| DJNZ Rn, rel | Decrement register, jump not zero relative | 2 | 4 | D8-DF |
| DJNZ dir, rel | Decrement direct byte, jump not zero relative | 3 | 4 | D5 |

| MISCELLANEOUS | | | | |
|----------------------|--------------------|-------------|--------------|---------------|
| Mnemonic | Description | byte | cycle | opcode |
| NOP | No operation | 1 | 2 | 00 |

In the above table, an entry such as E8-EF indicates a continuous block of hex opcodes used for 8 different registers, the register numbers of which are defined by the lowest three bits of the corresponding code. Non-continuous blocks of codes, shown as 11-F1 (for example), are used for absolute jumps and calls with the top 3 bits of the code being used to store the top three bits of the destination address.

ELECTRICAL CHARACTERISTICS

1. Absolute Maximum Ratings ($T_A=25^\circ\text{C}$)

| Parameter | Rating | Unit | |
|---------------------------------|------------------------------|-----------|----|
| Supply voltage | $V_{SS}-0.3 \sim V_{SS}+5.5$ | V | |
| Input voltage | $V_{SS}-0.3 \sim V_{CC}+0.3$ | | |
| Output voltage | $V_{SS}-0.3 \sim V_{CC}+0.3$ | | |
| Output current high per 1 PIN | -25 | mA | |
| Output current high per all PIN | -80 | | |
| Output current low per 1 PIN | +30 | | |
| Output current low per all PIN | +150 | | |
| Maximum Operating Voltage | 5.5 | V | |
| Operating temperature | TM52F5274B/78B | -20 ~ +70 | °C |
| | TM52F5274C/78C | -40 ~ +85 | |
| Storage temperature | -65 ~ +150 | | |

2. DC Characteristics ($T_A=25^\circ\text{C}$, $V_{CC}=2.0\text{V} \sim 5.5\text{V}$)

| Parameter | Symbol | Conditions | Min. | Typ. | Max. | Unit | |
|----------------------------------|-----------|---|--|-------------|------|-------------|---------------|
| Operating Voltage | V_{CC} | Fast mode, $F_{SYSCLK}=7.3728\text{ MHz}$ | 2.6 | - | 5.5 | V | |
| | | Fast mode, $F_{SYSCLK}=3.6864\text{ MHz}$ | 2.3 | - | 5.5 | | |
| | | Fast mode, $F_{SYSCLK}=1.8432\text{ MHz}$ | 1.8 | - | 5.5 | | |
| | | Fast mode, $F_{SYSCLK}=0.4608\text{ MHz}$ | 1.8 | - | 5.5 | | |
| | | Slow mode, SRC | 1.8 | - | 5.5 | | |
| Input High Voltage | V_{IH} | All Input, except P3.7, P2.1 | $V_{CC}=5\text{V}$ | $0.6V_{CC}$ | - | - | V |
| | | | $V_{CC}=3\text{V}$ | $0.6V_{CC}$ | - | - | |
| | | P3.7, P2.1 | $V_{CC}=5\text{V}$ | $0.8V_{CC}$ | - | - | |
| | | | $V_{CC}=3\text{V}$ | $0.8V_{CC}$ | - | - | |
| Input Low Voltage | V_{IL} | All Input | $V_{CC}=5\text{V}$ | - | - | $0.2V_{CC}$ | V |
| | | | $V_{CC}=3\text{V}$ | - | - | $0.2V_{CC}$ | |
| I/O Port Source Current | I_{OH} | All Output, except P3.7 | $V_{CC}=5\text{V}$ $V_{OH}=0.9V_{CC}$ | 6 | 12 | - | mA |
| | | | $V_{CC}=3\text{V}$ $V_{OH}=0.9V_{CC}$ | 2.5 | 5 | - | |
| I/O Port Sink Current | I_{OL} | All Output, except P0.0~P0.3 | $V_{CC}=5\text{V}$ $V_{OL}=0.1V_{CC}$ | 12 | 24 | - | mA |
| | | | $V_{CC}=3\text{V}$ $V_{OL}=0.1V_{CC}$ | 6 | 12 | - | |
| | | P0.0~P0.3 | $V_{CC}=5\text{V}$ $V_{OL}=0.1V_{CC}$ | 35 | 70 | - | |
| | | | $V_{CC}=3\text{V}$ $V_{OL}=0.1V_{CC}$ | 20 | 40 | - | |
| Input Leakage Current (pin high) | I_{ILH} | All Input | $V_{in}=V_{CC}$ | - | - | 1 | μA |
| Input Leakage Current (pin low) | I_{ILL} | All Input | $V_{in}=0\text{V}$ | - | - | -1 | |

| Parameter | Symbol | Conditions | Min. | Typ. | Max. | Unit | |
|--|-----------------------|--|----------------|------|------|------|----|
| Supply Current (TM52F5278B) (TM52F5274B) | I _{CC} | Fast, V _{CC} =5V LVR enable MODE3V=0 | FXT=8 MHz | – | 3.7 | – | mA |
| | | | FRC=7.3728 MHz | – | 3 | – | |
| | | | FRC=3.6864 MHz | – | 1.8 | – | |
| | | Fast, V _{CC} =3V LVR enable MODE3V=0 | FXT=8 MHz | – | 2.7 | – | |
| | | | FRC=7.3728 MHz | – | 2.5 | – | |
| | | | FRC=3.6864 MHz | – | 1.5 | – | |
| | | Fast, V _{CC} =3V LVR enable MODE3V=1 | FXT=8 MHz | – | 2.5 | – | |
| | | | FRC=7.3728 MHz | – | 2.3 | – | |
| | | | FRC=3.6864 MHz | – | 1.4 | – | |
| | | Slow, V _{CC} =5V LVR enable MODE3V=0 | SXT=32 KHz | – | 220 | – | μA |
| | | | SRC=24 KHz | – | 205 | – | |
| | | Slow, V _{CC} =3V LVR enable MODE3V=0 | SXT=32 KHz | – | 180 | – | |
| | | | SRC=24 KHz | – | 175 | – | |
| | | Slow, V _{CC} =3V MODE3V=1 PWRSV=1 | SXT=32 KHz | – | 13 | – | |
| | | | SRC=24 KHz | – | 9 | – | |
| | | Slow, V _{CC} =3V MODE3V=1 PWRSV=0 | SXT=32 KHz | – | 54 | – | |
| | | | SRC=24 KHz | – | 50 | – | |
| | | Idle, V _{CC} =5V LVR enable MODE3V=0 | SXT=32 KHz | – | 205 | – | |
| | | | SRC=24 KHz | – | 195 | – | |
| | | Idle, V _{CC} =3V LVR enable MODE3V=0 | SXT=32 KHz | – | 168 | – | |
| | | | SRC=24 KHz | – | 166 | – | |
| | | Idle, V _{CC} =3V MODE3V=1 PWRSV=1 | SXT=32 KHz | – | 5 | – | |
| | | | SRC=24 KHz | – | 3 | – | |
| | | Idle, V _{CC} =3V MODE3V=1 PWRSV=0 | SXT=32 KHz | – | 46 | – | |
| | | | SRC=24 KHz | – | 43 | – | |
| | | Stop, V _{CC} =5V LVR disable MODE3V=0 | PWRSV=1 | – | 0.1 | – | |
| | | | PWRSV=0 | – | 158 | – | |
| Stop, V _{CC} =3V LVR disable MODE3V=0 | PWRSV=1 | – | – | 0.1 | | | |
| | PWRSV=0 | – | 136 | – | | | |
| Stop, V _{CC} =5V LVR enable MODE3V=0 | PWRSV=1 | – | 1.7 | – | | | |
| | PWRSV=0 | – | 194 | – | | | |
| Stop, V _{CC} = 3V LVR enable MODE3V=0 | PWRSV=1 | – | 0.5 | – | | | |
| | PWRSV=0 | – | 165 | – | | | |
| Stop, V _{CC} =3V MODE3V=1 | LVR disable | – | – | 0.1 | | | |
| | LVR enable PWRSV=1 | – | 0.5 | – | | | |
| | LVR enable PWRSV=0 | – | 41 | – | | | |

| Parameter | Symbol | Conditions | Min. | Typ. | Max. | Unit | |
|--|-----------------|--|----------------|------|------|------|----|
| Supply Current (TM52F5278C) (TM52F5274C) | I _{CC} | Fast, V _{CC} =5V MODE3V=0 | FXT=8 MHz | – | 3.7 | – | mA |
| | | | FRC=7.3728 MHz | – | 3 | – | |
| | | | FRC=3.6864 MHz | – | 1.8 | – | |
| | | Fast, V _{CC} =3V MODE3V=0 | FXT=8 MHz | – | 2.7 | – | |
| | | | FRC=7.3728 MHz | – | 2.5 | – | |
| | | | FRC=3.6864 MHz | – | 1.5 | – | |
| | | Fast, V _{CC} =3V MODE3V=1 | FXT=8 MHz | – | 2.5 | – | |
| | | | FRC=7.3728 MHz | – | 2.3 | – | |
| | | | FRC=3.6864 MHz | – | 1.4 | – | |
| | | Slow, V _{CC} =5V MODE3V=0 | SXT=32 KHz | – | 220 | – | μA |
| | | | SRC=24 KHz | – | 205 | – | |
| | | Slow, V _{CC} =3V MODE3V=0 | SXT=32 KHz | – | 180 | – | |
| | | | SRC=24 KHz | – | 175 | – | |
| | | Slow, V _{CC} =3V MODE3V=1 PWRSV=1 | SXT=32 KHz | – | 16 | – | |
| | | | SRC=24 KHz | – | 15 | – | |
| | | Slow, V _{CC} =3V MODE3V=1 PWRSV=0 | SXT=32 KHz | – | 54 | – | |
| | | | SRC=24 KHz | – | 50 | – | |
| | | Idle, V _{CC} =5V MODE3V=0 | SXT=32 KHz | – | 205 | – | |
| | | | SRC=24 KHz | – | 195 | – | |
| | | Idle, V _{CC} =3V MODE3V=0 | SXT=32 KHz | – | 168 | – | |
| | | | SRC=24 KHz | – | 166 | – | |
| | | Idle, V _{CC} =3V MODE3V=1 PWRSV=1 | SXT=32 KHz | – | 8 | – | |
| | | | SRC=24 KHz | – | 6 | – | |
| | | Idle, V _{CC} =3V MODE3V=1 PWRSV=0 | SXT=32 KHz | – | 46 | – | |
| SRC=24 KHz | – | | 43 | – | | | |
| Stop, V _{CC} =5V MODE3V=0 | PWRSV=1 | – | 5 | – | | | |
| | PWRSV=0 | – | 194 | – | | | |
| Stop, V _{CC} = 3V MODE3V=0 | PWRSV=1 | – | 3 | – | | | |
| | PWRSV=0 | – | 165 | – | | | |
| Stop, V _{CC} =3V MODE3V=1 | PWRSV=1 | – | 3 | – | | | |
| | PWRSV=0 | – | 41 | – | | | |

| Parameter | Symbol | Conditions | | Min. | Typ. | Max. | Unit |
|----------------------------|---------------------|--|-----------------------|------|------|--------|------|
| System Clock Frequency | F _{SYSCLK} | V _{CC} >LVR _{th} | V _{CC} =2.9V | – | – | 8 | MHz |
| | | | V _{CC} =2.3V | – | – | 7.3728 | |
| | | | V _{CC} =2.0V | – | – | 4 | |
| LVR Reference Voltage | V _{LVR} | T _A =25°C | F5274B/78B | +3% | 2.9 | +3% | V |
| | | | F5274C/78C | +3% | 2.3 | +3% | |
| | | | F5274B/78B | -8% | 1.8 | +8% | |
| | | | F5274C/78C | -8% | 2.0 | +8% | |
| LVR Hysteresis Voltage | V _{HYST} | T _A =25°C | | – | ±0.1 | – | V |
| LVD Reference Voltage | V _{LVD} | T _A =25°C | | – | 2.3 | – | V |
| Low Voltage Detection time | t _{LVR} | T _A =25°C | | 100 | – | – | µs |
| Pull-Up Resistor | R _P | V _{IN} =0V All except P3.7 | V _{CC} =5V | – | 120 | – | KΩ |
| | | | V _{CC} =3V | – | 240 | – | |
| | | V _{IN} =0V P3.7 | V _{CC} =5V | – | 170 | – | |
| | | | V _{CC} =3V | – | 170 | – | |

3. Clock Timing (T_A= -40°C ~ +85°C, V_{CC}=3.0V ~ 5.5V)

| Parameter | Conditions | Min. | Typ. | Max. | Unit |
|-----------------------|---|-------|--------|-------|------|
| Internal RC Frequency | 25°C, V _{CC} =3.0 ~ 5.5V | -1.6% | 7.3728 | +1.6% | MHz |
| | 0°C ~ 70°C, V _{CC} =3.0 ~ 5.5V | -3.8% | 7.3728 | +3.0% | |
| | -40°C ~ 85°C, V _{CC} =3.0 ~ 5.5V | -8.0% | 7.3728 | +3.0% | |

4. Reset Timing Characteristics (T_A= -40°C ~ +85°C, V_{CC}=3.0V ~ 5.0V)

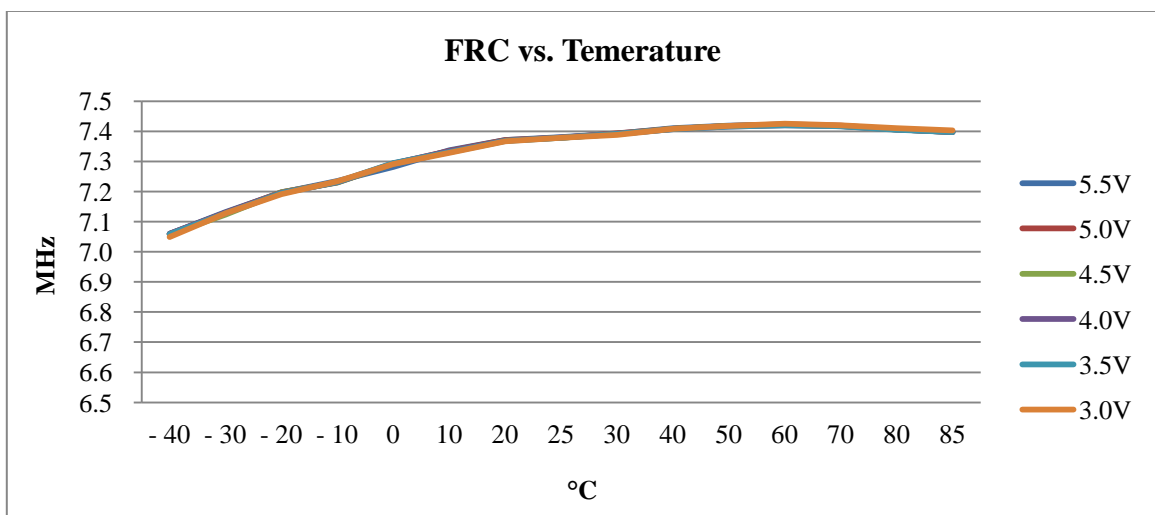
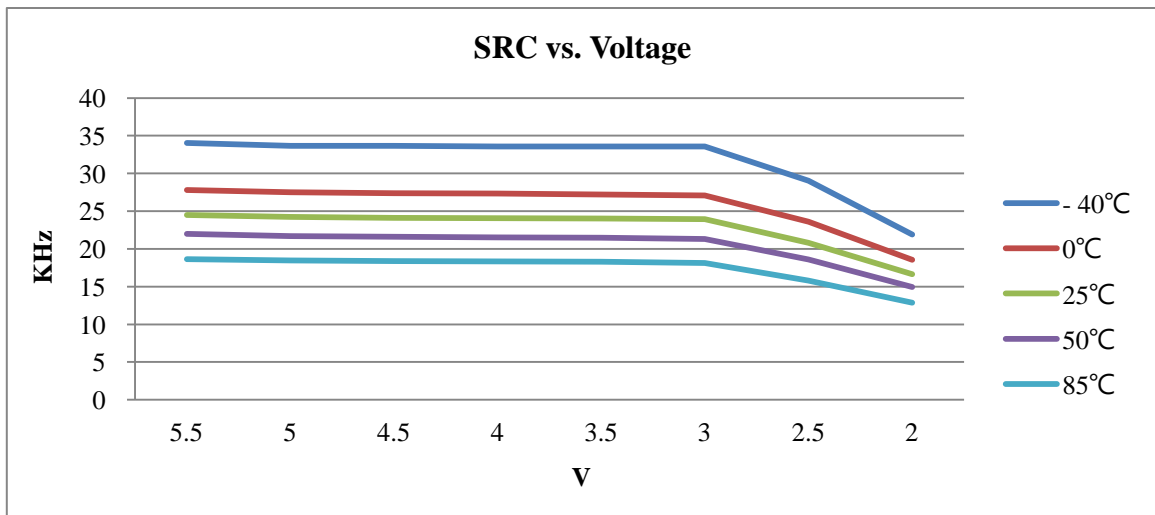
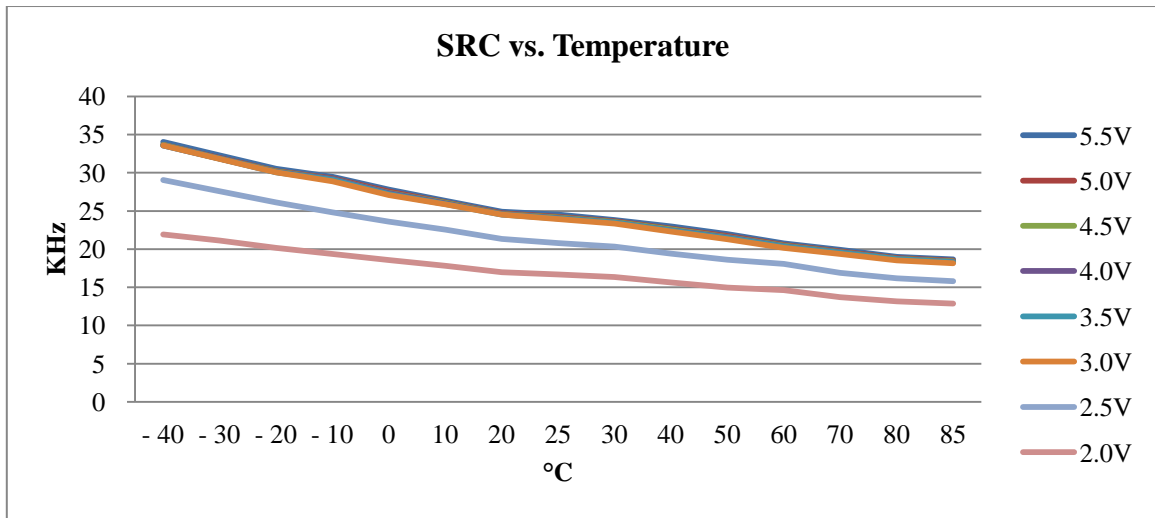
| Parameter | Conditions | Min. | Typ. | Max. | Unit |
|-----------------------|------------------------------------|------|------|------|------|
| RESET Input Low width | Input V _{CC} =5.0V ± 10 % | 90 | – | – | µs |
| WDT wakeup time | V _{CC} =5.0V, WDT_PSC=11 | – | 40 | – | ms |
| | V _{CC} =3.0V, WDT_PSC=11 | – | 40 | – | |

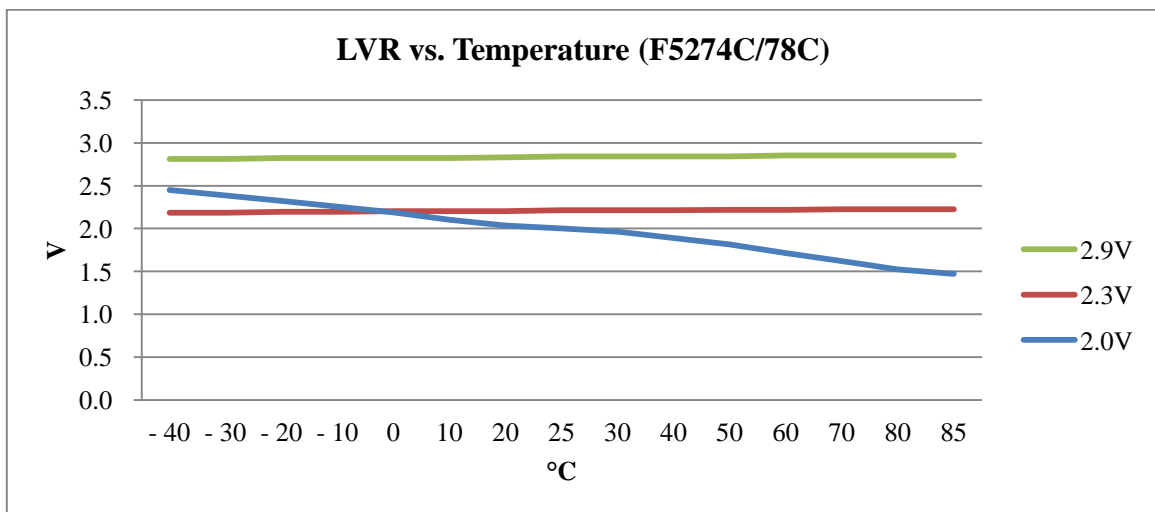
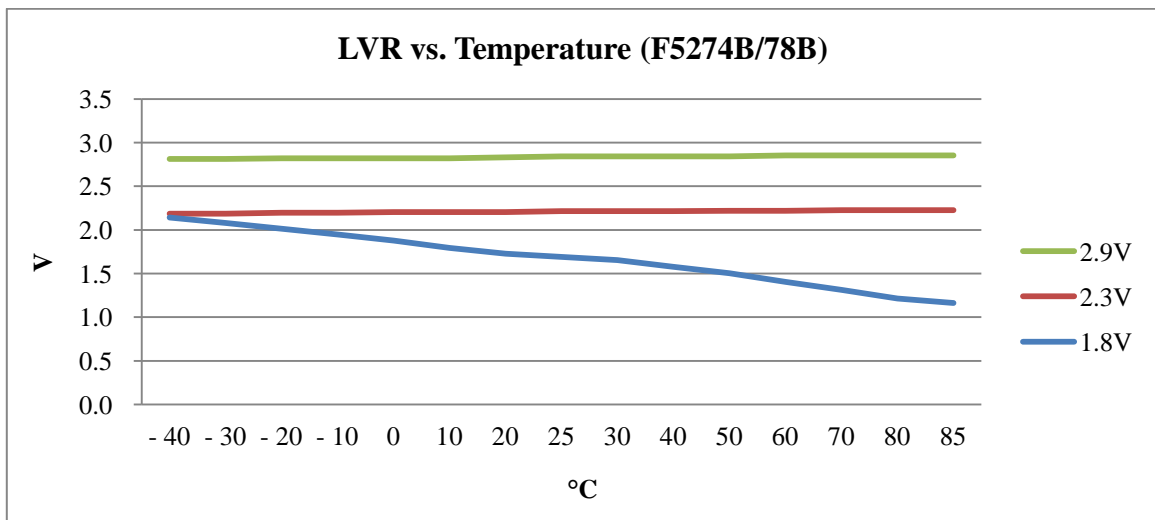
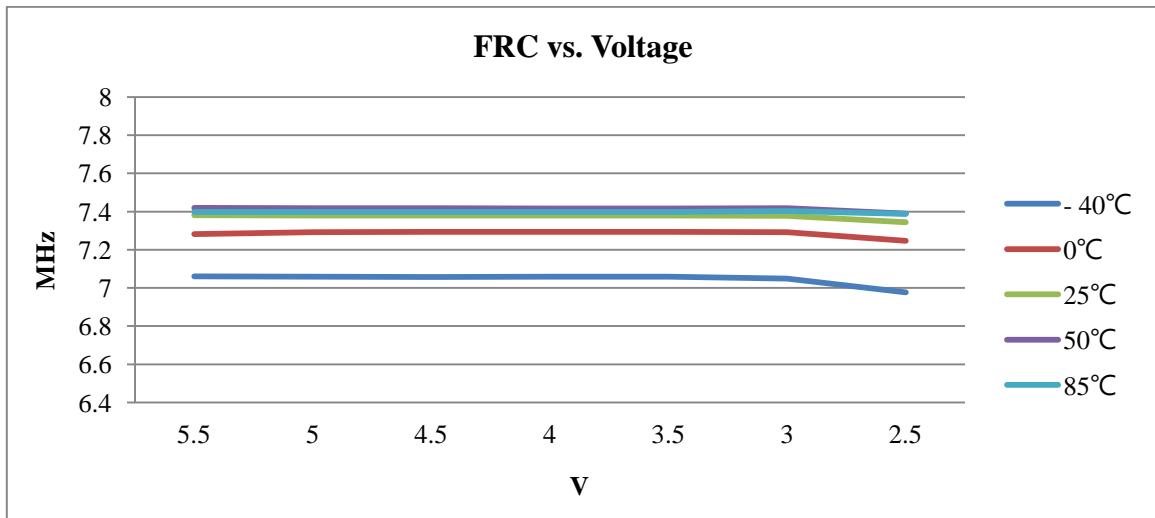
5. ADC Electrical Characteristics (T_A=25°C, V_{CC}=3.0V ~ 5.5V, V_{SS}=0V)

| Parameter | Conditions | Min. | Typ. | Max. | Unit |
|-------------------------------------|---|-----------------|------|-----------------|------|
| Total Accuracy | V _{CC} =5.12V, V _{SS} =0V | – | ±2.5 | ±4 | LSB |
| Integral Non-Linearity | | – | ±3.2 | ±5 | |
| Max Input Clock (f _{ADC}) | – | – | – | 1 | MHz |
| Conversion Time | f _{ADC} =1 MHz | – | 50 | – | µs |
| BandGap Voltage Reference | V _{CC} =3V | 1.14 | 1.22 | 1.30 | V |
| | V _{CC} =5V | 1.15 | 1.25 | 1.35 | |
| Input Voltage | – | V _{SS} | – | V _{CC} | V |

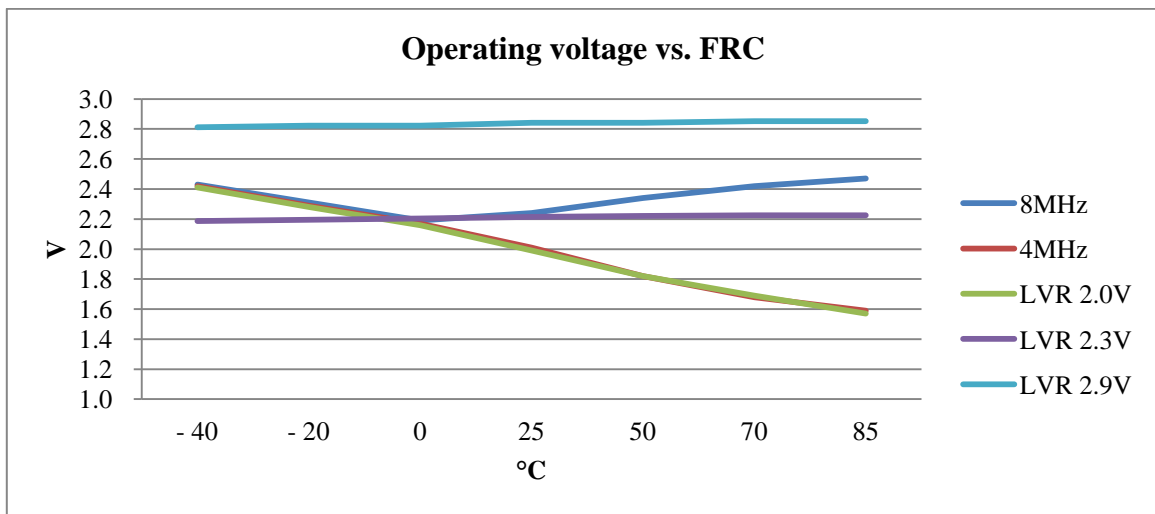
Note: also refer to AP-TM52XXXXX_05S for using ADC to trim BandGap.

6. Characteristics Graphs





Note: Due to the variation of manufacturing process, this LVR will slightly vary between different chips.



PACKAGE INFORMATION

Ordering Information

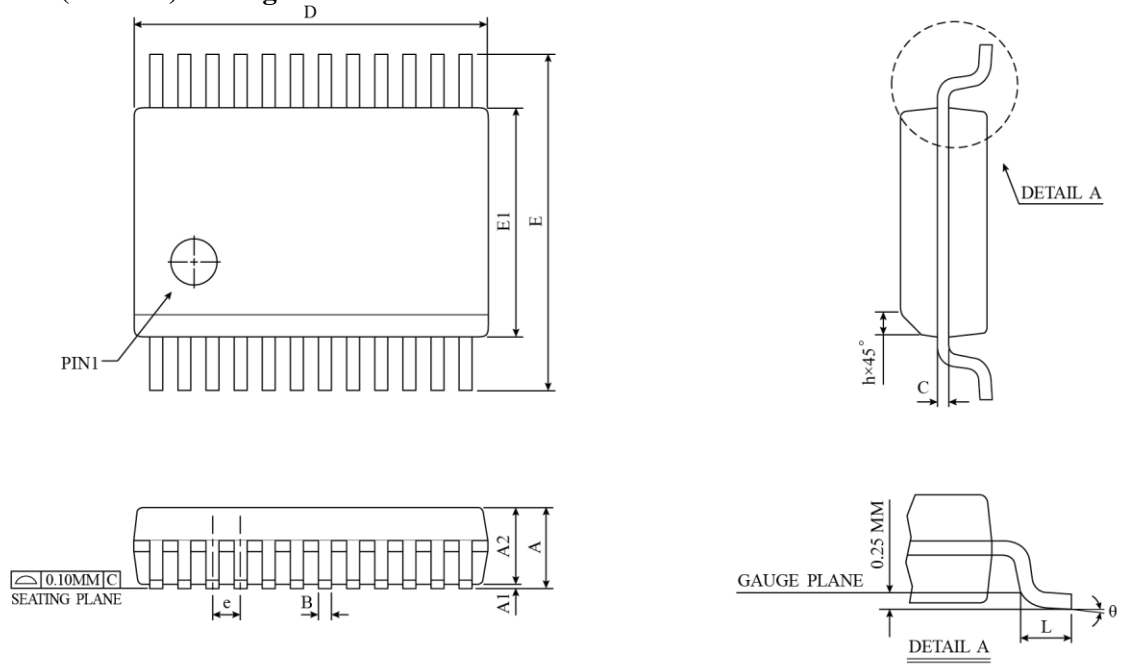
| Ordering Number | Package |
|--------------------|-------------------------------|
| TM52F5274B-MTP | Wafer/Dice blank chip |
| TM52F5274B-COD | Wafer/Dice with code |
| TM52F5274B-MTP-32 | SSOP 24-pin (209 mil) |
| TM52F5274B-MTP-13 | Skinny DIP 28-pin (300 mil) |
| TM52F5274B-MTP-23 | SOP 28-pin (300 mil) |
| TM52F5274B-MTP-33 | SSOP 28-pin (209 mil) |
| TM52F5274B-MTP-09 | DIP 32-pin (600 mil) |
| TM52F5274B-MTP-24 | SOP 32-pin (300 mil) |
| TM52F5274BQ-MTP-98 | QFN 32-pin (5*5*0.75 - 0.5mm) |
| TM52F5278B-MTP | Wafer/Dice blank chip |
| TM52F5278B-COD | Wafer/Dice with code |
| TM52F5278B-MTP-32 | SSOP 24-pin (209 mil) |
| TM52F5278B-MTP-13 | Skinny DIP 28-pin (300 mil) |
| TM52F5278B-MTP-23 | SOP 28-pin (300 mil) |
| TM52F5278B-MTP-33 | SSOP 28-pin (209 mil) |
| TM52F5278B-MTP-09 | DIP 32-pin (600 mil) |
| TM52F5278B-MTP-24 | SOP 32-pin (300 mil) |
| TM52F5278BQ-MTP-98 | QFN 32-pin (5*5*0.75 - 0.5mm) |



| | |
|--------------------|-------------------------------|
| TM52F5274C-MTP | Wafer/Dice blank chip |
| TM52F5274C-COD | Wafer/Dice with code |
| TM52F5274C-MTP-32 | SSOP 24-pin (209 mil) |
| TM52F5274C-MTP-13 | Skinny DIP 28-pin (300 mil) |
| TM52F5274C-MTP-23 | SOP 28-pin (300 mil) |
| TM52F5274C-MTP-33 | SSOP 28-pin (209 mil) |
| TM52F5274C-MTP-09 | DIP 32-pin (600 mil) |
| TM52F5274C-MTP-24 | SOP 32-pin (300 mil) |
| TM52F5274CQ-MTP-98 | QFN 32-pin (5*5*0.75 - 0.5mm) |
| TM52F5278C-MTP | Wafer/Dice blank chip |
| TM52F5278C-COD | Wafer/Dice with code |
| TM52F5278C-MTP-32 | SSOP 24-pin (209 mil) |
| TM52F5278C-MTP-13 | Skinny DIP 28-pin (300 mil) |
| TM52F5278C-MTP-23 | SOP 28-pin (300 mil) |
| TM52F5278C-MTP-33 | SSOP 28-pin (209 mil) |
| TM52F5278C-MTP-09 | DIP 32-pin (600 mil) |
| TM52F5278C-MTP-24 | SOP 32-pin (300 mil) |
| TM52F5278CQ-MTP-98 | QFN 32-pin (5*5*0.75 - 0.5mm) |

Package Information

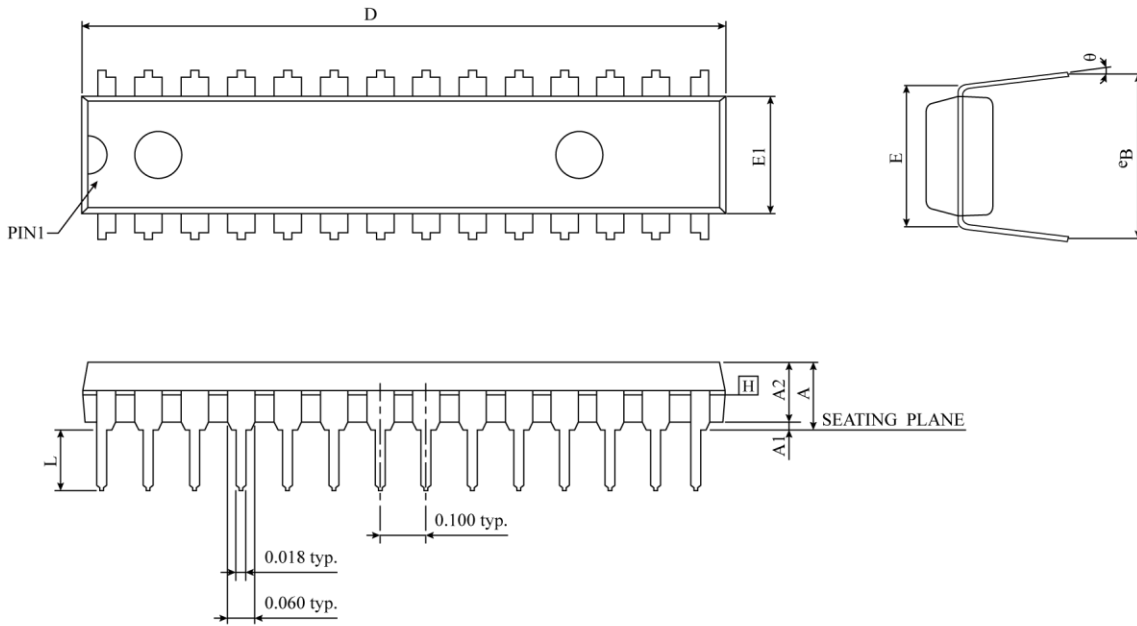
SSOP-24 (209mil) Package Dimension



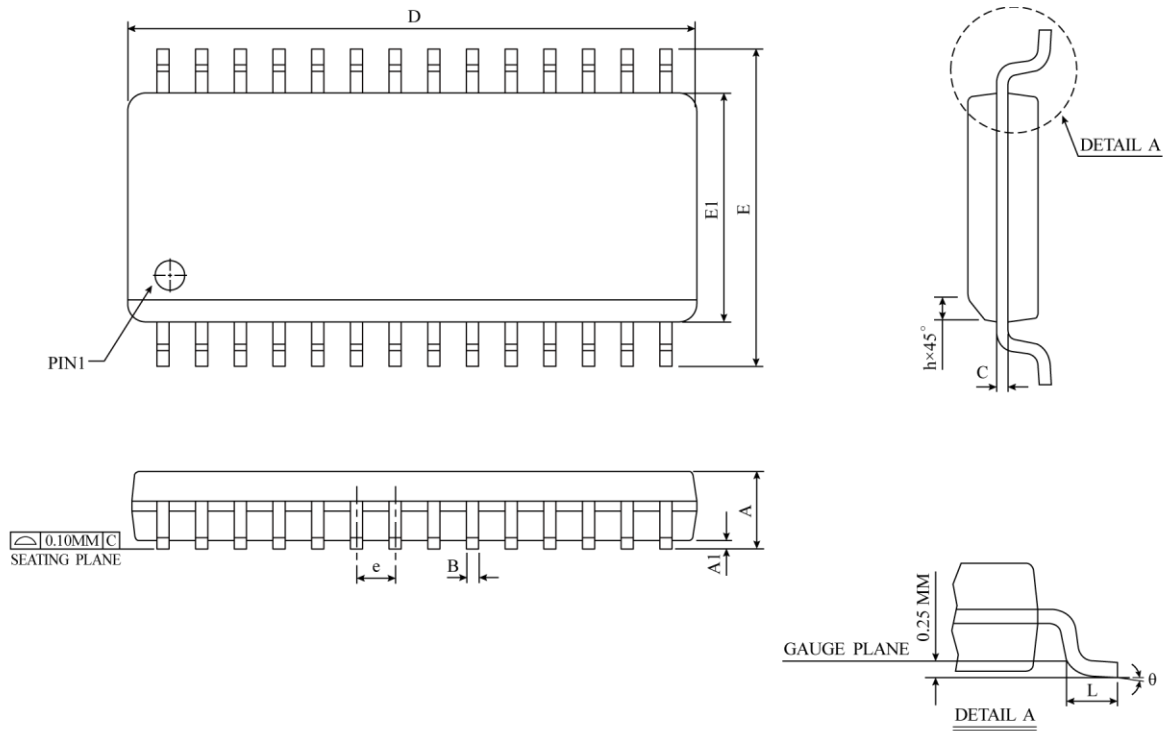
| SYMBOL | DIMENSION IN MM | | | DIMENSION IN INCH | | |
|--------|-----------------|------|------|-------------------|-------|-------|
| | MIN | NOM | MAX | MIN | NOM | MAX |
| A | - | - | 2.0 | - | - | 0.079 |
| A1 | 0.05 | - | - | 0.002 | - | - |
| A2 | 1.65 | 1.75 | 1.85 | 0.065 | 0.069 | 0.073 |
| B | 0.22 | 0.30 | 0.33 | 0.009 | 0.012 | 0.013 |
| C | 0.09 | 0.15 | 0.21 | 0.004 | 0.006 | 0.008 |
| D | 7.90 | 8.20 | 8.50 | 0.311 | 0.323 | 0.335 |
| E | 7.40 | 7.80 | 8.20 | 0.291 | 0.307 | 0.323 |
| E1 | 5.00 | 5.30 | 5.60 | 0.197 | 0.209 | 0.220 |
| e | 0.65 BSC | | | 0.026 BSC | | |
| L | 0.55 | 0.75 | 0.95 | 0.022 | 0.030 | 0.038 |
| θ | 0° | 4° | 8° | 0° | 4° | 8° |
| JEDEC | M0-150 (AG) | | | | | |

△ *NOTES : DIMENSION " D " DOES NOT INCLUDE MOLD FLASH OR PROTRUSIONS, BUT DO INCLUDE MOLD MISMATCH. MOLD FLASH OR SHALL NOT EXCEED 0.20 MM (0.078 INCH) PER SIDE.

Skinny DIP-28 (300mil) Package Dimension

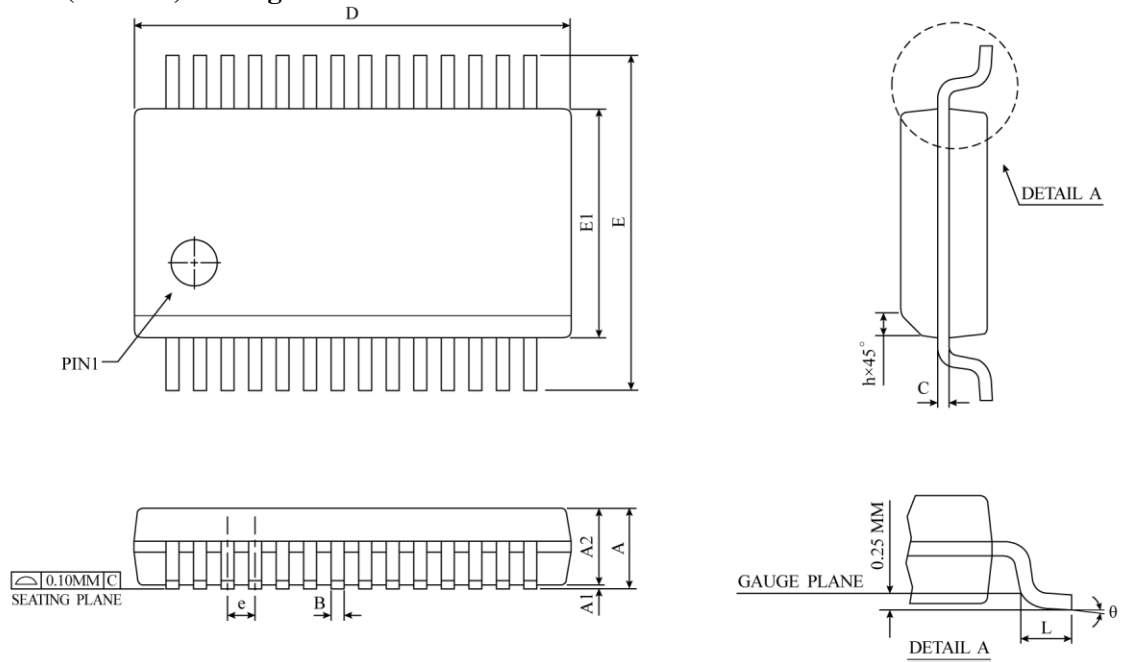


| SYMBOL | DIMENSION IN MM | | | DIMENSION IN INCH | | |
|--------|-----------------|--------|-------|-------------------|-------|-------|
| | MIN | NOM | MAX | MIN | NOM | MAX |
| A | - | - | 4.445 | - | - | 0.175 |
| A1 | 0.381 | - | - | 0.015 | - | - |
| A2 | 3.175 | 3.302 | 3.429 | 0.125 | 0.130 | 0.135 |
| D | 35.179 | 35.370 | 35.56 | 1.385 | 1.393 | 1.400 |
| E | 7.874 BSC | | | 0.310 BSC | | |
| E1 | 7.188 | 7.315 | 7.442 | 0.283 | 0.288 | 0.293 |
| L | 3.048 | 3.302 | 3.556 | 0.120 | 0.130 | 0.140 |
| eB | 8.382 | 8.954 | 9.525 | 0.330 | 0.353 | 0.375 |
| θ | 0° | 7.5° | 15° | 0° | 7.5° | 15° |
| JEDEC | MS-015 (AH) | | | | | |

SOP-28 (300mil) Package Dimension


| SYMBOL | DIMENSION IN MM | | | DIMENSION IN INCH | | |
|--------|-----------------|-------|-------|-------------------|--------|--------|
| | MIN | NOM | MAX | MIN | NOM | MAX |
| A | 2.35 | 2.50 | 2.65 | 0.0926 | 0.0985 | 0.1043 |
| A1 | 0.10 | 0.20 | 0.30 | 0.0040 | 0.0079 | 0.0118 |
| B | 0.33 | 0.42 | 0.51 | 0.0130 | 0.0165 | 0.0200 |
| C | 0.23 | 0.28 | 0.32 | 0.0091 | 0.0108 | 0.0125 |
| D | 17.70 | 17.90 | 18.10 | 0.6969 | 0.7047 | 0.7125 |
| E | 10.00 | 10.33 | 10.65 | 0.3940 | 0.4425 | 0.4910 |
| E1 | 7.40 | 7.50 | 7.60 | 0.2914 | 0.2953 | 0.2992 |
| e | 1.27 BSC | | | 0.050 BSC | | |
| h | 0.25 | 0.50 | 0.75 | 0.0100 | 0.0195 | 0.0290 |
| L | 0.40 | 0.84 | 1.27 | 0.0160 | 0.0330 | 0.0500 |
| θ | 0° | 4° | 8° | 0° | 4° | 8° |
| JEDEC | MS-013 (AE) | | | | | |

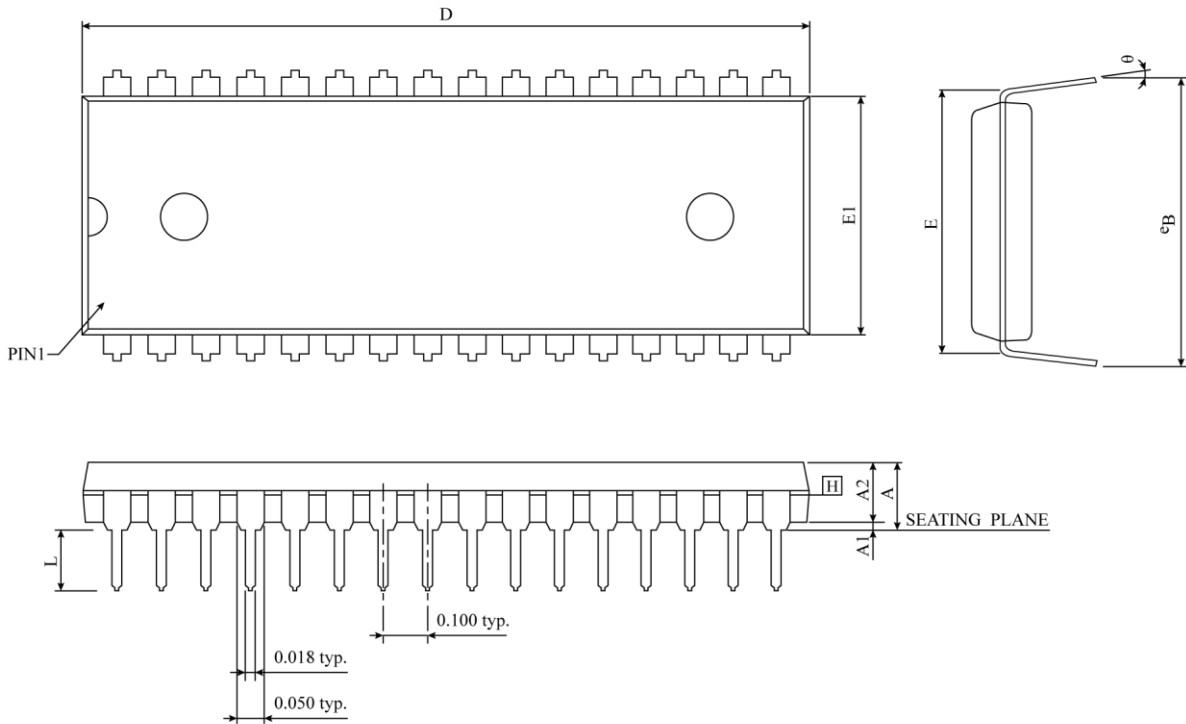
△ * NOTES : DIMENSION "D" DOES NOT INCLUDE MOLD FLASH, PROTRUSIONS OR GATE BURRS.
MOLD FLASH, PROTRUSIONS AND GATE BURRS SHALL
NOT EXCEED 0.15 MM (0.006 INCH) PER SIDE.

SSOP-28 (209mil) Package Dimension


| SYMBOL | DIMENSION IN MM | | | DIMENSION IN INCH | | |
|--------|-----------------|------|-------|-------------------|-------|-------|
| | MIN | NOM | MAX | MIN | NOM | MAX |
| A | - | - | 2.0 | - | - | 0.079 |
| A1 | 0.05 | - | - | 0.002 | - | - |
| A2 | 1.65 | 1.75 | 1.85 | 0.065 | 0.069 | 0.073 |
| B | 0.22 | 0.28 | 0.33 | 0.009 | 0.011 | 0.013 |
| C | 0.09 | 0.15 | 0.21 | 0.004 | 0.006 | 0.008 |
| D | 9.90 | 9.98 | 10.05 | 0.390 | 0.402 | 0.413 |
| E | 7.40 | 7.80 | 8.20 | 0.291 | 0.307 | 0.323 |
| E1 | 5.00 | 5.30 | 5.60 | 0.197 | 0.209 | 0.220 |
| e | 0.65 BSC | | | 0.026 BSC | | |
| L | 0.55 | 0.75 | 0.95 | 0.022 | 0.300 | 0.038 |
| θ | 0° | 4° | 8° | 0° | 4° | 8° |
| JEDEC | M0-150 (AH) | | | | | |

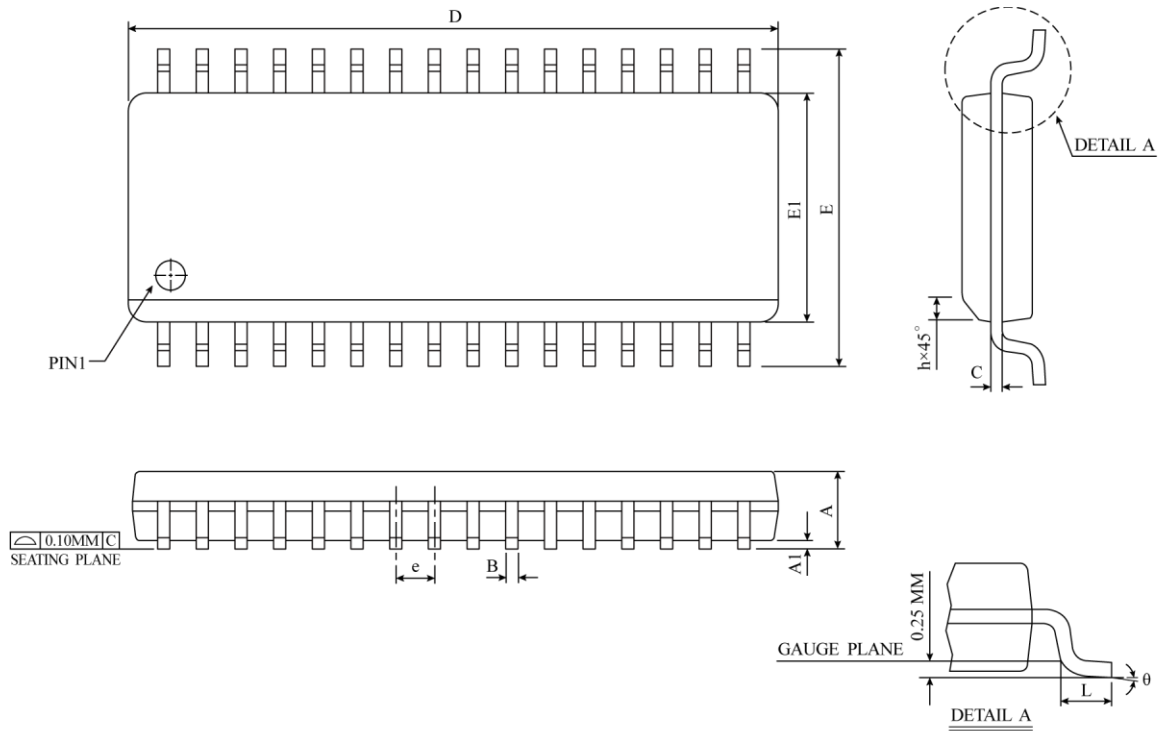
▲ * NOTES : DIMENSION " D " DOES NOT INCLUDE MOLD FLASH
 OR PROTRUSIONS, BUT DO INCLUDE MOLD MISMATCH.
 MOLD FLASH OR SHALL NOT EXCEED
 0.20 MM (0.078 INCH) PER SIDE.

DIP-32 (600 mil) Package Dimensions



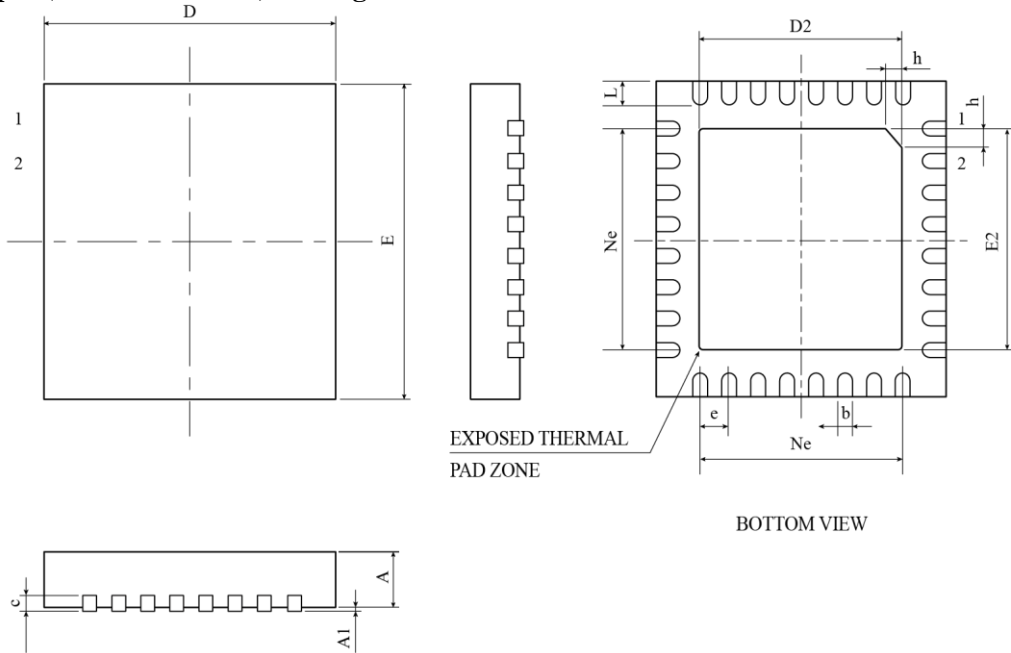
| SYMBOL | DIMENSION IN MM | | | DIMENSION IN INCH | | |
|----------|-----------------|-------------|------------|-------------------|-------------|------------|
| | MIN | NOM | MAX | MIN | NOM | MAX |
| A | - | - | 5.588 | - | - | 0.220 |
| A1 | 0.381 | - | - | 0.015 | - | - |
| A2 | 3.810 | 3.937 | 4.064 | 0.150 | 0.155 | 0.160 |
| D | 41.783 | 41.974 | 42.164 | 1.645 | 1.653 | 1.660 |
| E | 15.240 BSC | | | 0.600 BSC | | |
| E1 | 13.716 | 13.843 | 13.970 | 0.540 | 0.545 | 0.550 |
| L | 2.921 | 4.001 | 5.080 | 0.115 | 0.158 | 0.200 |
| eB | 16.002 | 16.51 | 17.018 | 0.630 | 0.650 | 0.670 |
| θ | 0° | 7.5° | 15° | 0° | 7.5° | 15° |
| JEDEC | MO-015 (AP) | | | | | |

SOP-32 (300 mil) Package Dimensions



| SYMBOL | DIMENSION IN MM | | | DIMENSION IN INCH | | |
|----------|-----------------|-------|-------|-------------------|--------|--------|
| | MIN | NOM | MAX | MIN | NOM | MAX |
| A | 2.35 | 2.50 | 2.65 | 0.0926 | 0.0985 | 0.1043 |
| A1 | 0.10 | 0.20 | 0.30 | 0.0040 | 0.0079 | 0.0118 |
| B | 0.33 | 0.42 | 0.51 | 0.0130 | 0.0165 | 0.0200 |
| C | 0.23 | 0.28 | 0.32 | 0.0091 | 0.0108 | 0.0125 |
| D | 20.32 | 20.53 | 20.73 | 0.8000 | 0.8080 | 0.8160 |
| E | 10.00 | 10.33 | 10.65 | 0.3940 | 0.4425 | 0.4910 |
| E1 | 7.40 | 7.50 | 7.60 | 0.2914 | 0.2953 | 0.2992 |
| e | 1.27 BSC | | | 0.050 BSC | | |
| h | 0.25 | 0.50 | 0.75 | 0.0100 | 0.0195 | 0.0290 |
| L | 0.40 | 0.84 | 1.27 | 0.0160 | 0.0330 | 0.0500 |
| θ | 0° | - | 8° | 0° | - | 8° |

△ * NOTES : DIMENSION "D" DOES NOT INCLUDE MOLD FLASH, PROTRUSIONS OR GATE BURRS.
MOLD FLASH, PROTRUSIONS AND GATE BURRS SHALL
NOT EXCEED 0.15 MM (0.006 INCH) PER SIDE.

QFN 32pin (5x5x0.75-0.5mm) Package Dimension


| SYMBOL | DIMENSION IN MM | | | DIMENSION IN INCH | | |
|--------|-----------------|------|------|-------------------|-------|-------|
| | MIN | NOM | MAX | MIN | NOM | MAX |
| A | 0.70 | 0.75 | 0.80 | 0.028 | 0.030 | 0.031 |
| A1 | -- | 0.02 | 0.05 | -- | 0.001 | 0.002 |
| b | 0.18 | 0.25 | 0.30 | 0.007 | 0.010 | 0.012 |
| c | 0.18 | 0.20 | 0.25 | 0.007 | 0.008 | 0.010 |
| D | 4.90 | 5.00 | 5.10 | 0.193 | 0.197 | 0.201 |
| D2 | 3.40 | 3.50 | 3.60 | 0.134 | 0.138 | 0.142 |
| e | 0.50 BSC | | | 0.020 BSC | | |
| Ne | 3.50 BSC | | | 0.138 BSC | | |
| E | 4.90 | 5.00 | 5.10 | 0.193 | 0.197 | 0.201 |
| E2 | 3.40 | 3.50 | 3.60 | 0.134 | 0.138 | 0.142 |
| L | 0.35 | 0.40 | 0.45 | 0.014 | 0.016 | 0.018 |
| h | 0.30 | 0.35 | 0.40 | 0.012 | 0.014 | 0.016 |