



十速

TM52eF1375/74

DATA SHEET

Rev 0.92

(Please read the precautions on the second page before use)

tenx reserves the right to change or discontinue the manual and online documentation to this product herein to improve reliability, function or design without further notice. **tenx** does not assume any liability arising out of the application or use of any product or circuit described herein; neither does it convey any license under its patent rights nor the rights of others. **tenx** products are not designed, intended, or authorized for use in life support appliances, devices, or systems. If Buyer purchases or uses **tenx** products for any such unintended or unauthorized application, Buyer shall indemnify and hold **tenx** and its officers, employees, subsidiaries, affiliates and distributors harmless against all claims, cost, damages, and expenses, and reasonable attorney fees arising out of, directly or indirectly, any claim of personal injury or death associated with such unintended or unauthorized use even if such claim alleges that **tenx** was negligent regarding the design or manufacture of the part.

PRECAUTIONS

1. Before entering Stop/Halt mode (PDOWN), it must be set ENVPULL (ENVPULL = 1).
2. Before entering Stop/Halt mode (PDOWN), it must be set to slow clock mode (SELFCK = 0).
3. Before IAP Write, the user should disable the LVR first and turn on LVR after IAP writing is completed.

AMENDMENT HISTORY

Version	Date	Description
V0.90	Oct, 2022	New release.
V0.91	Nov, 2022	Program memory Characteristics
V0.92	Nov, 2023	Add package TSSOP20, SSOP24,QFN20

CONTENTS

PRECAUTIONS	2
AMENDMENT HISTORY	3
TM52 eF1xxx FAMILY	7
GENERAL DESCRIPTION	8
BLOCK DIAGRAM	8
FEATURES	9
PIN ASSIGNMENT	13
PIN DESCRIPTION	15
PIN SUMMERY	16
FUNCTIONAL DESCRIPTION	17
1. CPU Core	17
1.1 Accumulator (ACC).....	17
1.2 B Register (B).....	17
1.3 Stack Pointer (SP).....	18
1.4 Dual Data Pointer (DPTRs)	18
1.5 Program Status Word (PSW).....	19
2. Memory	20
2.1 Program Memory	20
2.1.1 Program Memory Functional Partition	20
2.1.2 Flash ICP Mode.....	21
2.1.3 Flash IAP Mode (EEPROM like)	21
2.1.4 IAP Mode Access Routines	22
2.2 Data Memory	25
2.2.1 IRAM	25
2.2.2 XRAM.....	25
2.2.3 SFRs	25
3. LVR and LVD setting	27
4. Reset	29
4.1 Power on Reset.....	29
4.2 External Pin Reset	29
4.3 Software Command Reset.....	29
4.4 Watchdog Timer Reset.....	29
4.5 Low Voltage Reset	29
5. Clock Circuitry & Operation Mode	31
5.1 System Clock	31
5.2 Operation Modes	33



6. Interrupt & Wake-up	35
6.1 Interrupt Enable and Priority Control	35
6.2 Suggestions on interrupting subroutines.....	35
6.3 Pin Interrupt and LVD interrupt	40
6.4 Idle mode Wake up and Interrupt	44
6.5 Stop/Halt mode Wake up and Interrupt	44
7. I/O Ports	46
7.1 Port1 & Port2 & Port 3	46
7.2 Port0.....	54
8. Timers.....	57
8.1 Timer0 / Timer1	57
8.2 Timer2.....	59
8.3 Timer3.....	61
8.4 T0O and T2O Output Control	61
9. UARTs	62
10. PWMs.....	64
10.1 16-bit PWM.....	64
11. ADC	69
11.1 ADC Channels	70
11.2 ADC Conversion Time	70
12. Touch Key (FTK).....	73
13. S/W Controller LCD Driver	83
14. LED Controller/Driver	85
14.1 LED Bi-Direction (BiD) Mode	85
14.2 LED Dot Matrix (DMX) Mode.....	88
15. Serial Peripheral Interface (SPI)	92
16. Cyclic Redundancy Check (CRC).....	97
17. Multiplier and divider.....	98
18. Master I ² C Interface	100
19. Slave I ² C Interface.....	103
20. In Circuit Emulation (ICE) Mode	106
SFR & CFGW MAP	107
SFR & CFGW DESCRIPTION.....	109
INSTRUCTION SET	125
ELECTRICAL CHARACTERISTICS	128
1. Absolute Maximum Ratings.....	128
2. DC Characteristics.....	129
3. Program memory Characteristics	130



4. Clock Timing.....	131
5. Reset Timing Characteristics	131
6. ADC Electrical Characteristics	131
7. Characteristic Graphs	132
Package and Dice Information.....	135

TM52 eF1xxx FAMILY

Common Feature

CPU	MTP/Flash Program memory	RAM bytes	Dual Clock	Operation Mode	Timer0 Timer1 Timer2	UART	Real-time Timer3	LVD	LVR
Fast 8051 (2T)	4K~32K with IAP, ISP, ICP	256 ~ 1024	SXT SRC FXT FRC	Fast Slow Idle Stop Halt	8051 Standard		15-bit	8 level	8 level

Note: IAP, ISP only for Flash type program memory

Family Members Features

P/N	Program Memory	RAM Bytes	IO Pin	PWM	SAR ADC	Touch Key	LCD	LED	Interface
TM52-eF1716 TM52-eF1732	Flash 16KB 32KB	1280	30	16-bit x3 8-bit x3	12-bit 16-ch	20-ch	8com	BiD 4Cx6S	SPI UARTx2 I ² C
TM52-eF1374 TM52-eF1375	Flash 20KB 32KB	1280	26	16-bit x3	12-bit 16-ch	20-ch	8com	BiD 4Cx6S DMX 8x8	SPI UARTx2 I ² C

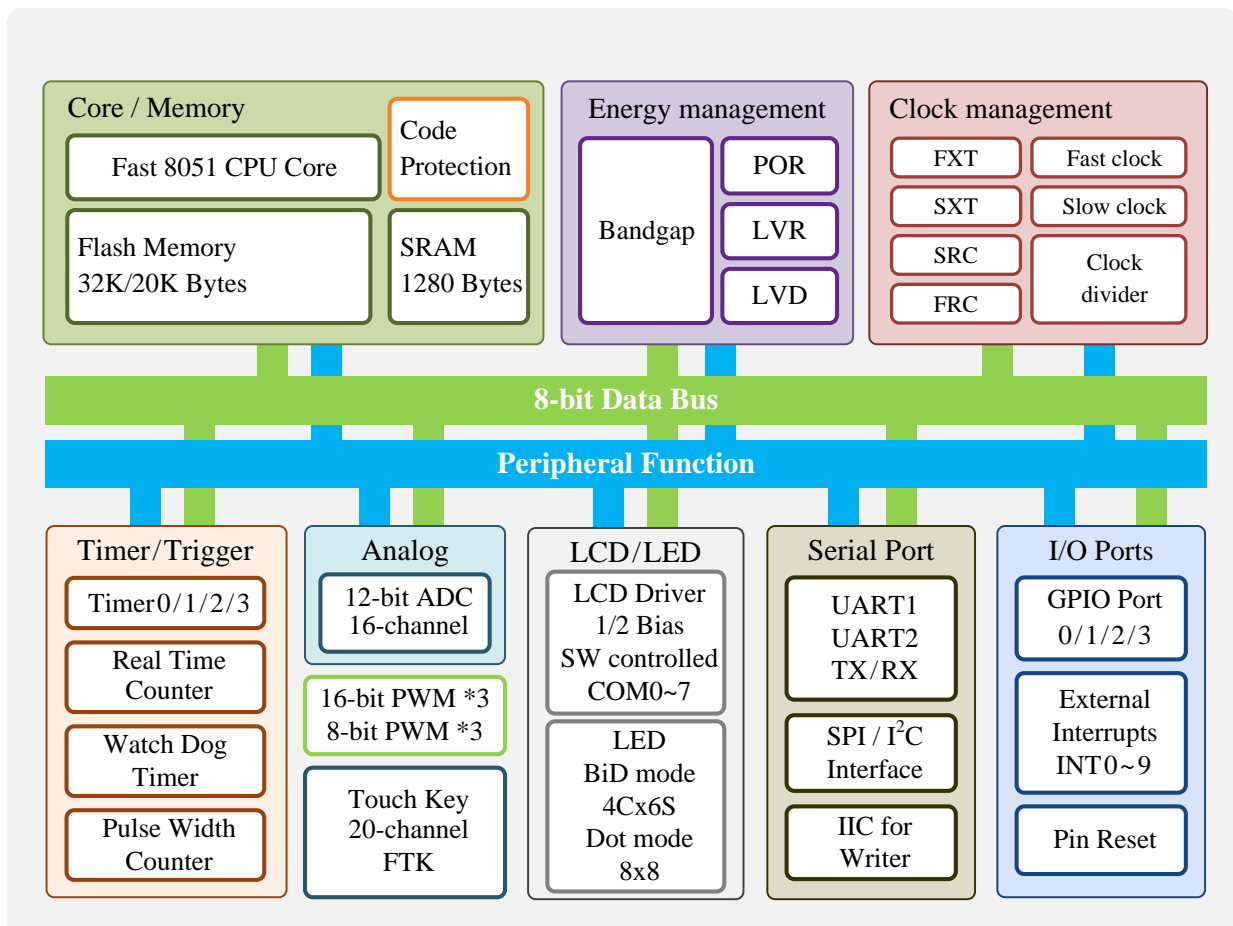
P/N	Operation Voltage	Operation Current					Max. System Clock (Hz)			
		Fast FRC	Slow SRC	Idle SRC	Stop	Halt	SXT	SRC	FXT	FRC
TM52-eF1716 TM52-eF1732	2.5~5.5V	3.5mA	0.18mA	0.15mA	7uA@5V 1.4uA@3V	11uA@5V 4uA@3V	32K	80K	16M	14.7456M
TM52-eF1374 TM52-eF1375	2.2~5.5V	3.4mA	0.2mA	0.17mA	12uA@5V 5uA@3V	15uA@5V 7uA@3V	32K	80K	18M	18.432M

GENERAL DESCRIPTION

TM52_{series} eF1375/74 are versions of a new, fast 8051 architecture for an 8-bit microcontroller single chip with an instruction set fully compatible with industry standard 8051, and retains most 8051 peripheral's functional block. Typically, the TM52 executes instructions six times faster than the standard 8051 architecture.

The TM52-eF1375/74 provides improved performance, lower cost and fast time-to-market by integrating features on the chip, including 32K Bytes Flash program memory, 1280 Bytes SRAM, Low Voltage Reset (LVR), Low Voltage Detector (LVD), dual clock power saving operation mode, 8051 standard UART and Timer0/1/2, real time clock Timer3, LCD/LED driver, 3 set 16-bit PWMs, 16 channels 12-bit A/D Converter, 20 channels Touch Key, I²C/SPI interface and Watch Dog Timer. It's a high reliability and low power consumption feature can be widely applied in consumer and home appliance products.

BLOCK DIAGRAM



FEATURES

- 1. Standard 8051 Instruction set, fast machine cycle**
 - Executes instructions six times faster than the standard 8051.
- 2. Flash Program Memory**
 - 32K Bytes (TM52eF1375)
 - 20K Bytes (TM52eF1374)
 - Support IAP “In Application Programming” (EEPROM like)
 - Code Protection Capability
 - 100K erase times at least
 - 10 years data retention at least
- 3. Total 1280 Bytes SRAM (IRAM + XRAM)**
 - 256 Bytes IRAM in the 8051 internal data memory area
 - 1024 Bytes XRAM in the 8051 external data memory area (accessed by MOVX Instruction)
- 4. Four System Clock type selections**
 - Fast clock from 1~18MHz Crystal (FXT)
 - Fast clock from Internal RC (FRC, 18.432 MHz)
 - Slow clock from 32768Hz Crystal (SXT)
 - Slow clock from Internal RC (SRC, 80 KHz)
 - System Clock can be divided by 1/2/4/16 option
- 5. 8051 Standard Timer – Timer0/1/2**
 - 16-bit Timer0, also supports T0O clock output for Buzzer application
 - 16-bit Timer1
 - 16-bit Timer2, also supports T2O clock output for Buzzer application
- 6. 15-bit Timer3**
 - Clock source is Slow clock
 - Interrupt period can be clock divided by 32768/16384/8192/128 option
- 7. UARTs**
 - UART1, 8051 standard UART
 - UART2, the second UART, supports only mode1 and mode3

8. Three independent 16 bits PWMs with period-adjustment**9. SPI Interface**

- Master or Slave mode selectable
- Programmable transmit bit rate
- Serial clock phase and polarity options
- MSB-first or LSB-first selectable

10. I²C interface (Master / Slave)**11. 20-Channel Touch Key (FTK)****12. 12-bit ADC with 13 channels External Pin Input and 2 channels Internal Reference Voltage**

- Internal Reference Voltage: VBG 1.2V @ V_{CC}=5V~3V, 25°C
- Internal Reference Voltage: 1/4V_{CC}

13. LCD Driver

- 1/8 duty
- Software controlled COM0~7
- 1/2 LCD Bias

14. LED Controller/Driver

- Bidirection matrix mode (BiD) : 4Cx6S, 10 pins up to 48 dots
- Dot matrix mode (DMX): 8*8, 9 pins up to 64 dots

15. 14 Sources, 4-level priority Interrupt

- Timer0/Timer1/Timer2/Timer3 Interrupt
- INT0~INT1 pin low level or falling edge Interrupt
- INT2~INT9 pin Falling-Edge Interrupt
- Port1 Pin Change Interrupt
- UART1/UART2 TX/RX Interrupt
- ADC/Touch Key Interrupt
- SPI Interrupt
- I²C interrupt
- PWM0/PWM1/PWM2 interrupt

16. Pin Interrupt can Wake up CPU from Power-Down (Stop/Halt) mode

- INT0~INT9 Interrupt & Wake-up
- Each Port1 pin can be defined as Interrupt & Wake-up pin (by pin change)

Note: Chip cannot enter Stop/Halt Mode if INTn pin is low and wakeup is enabled. (INTn=0 and EXn=1, n=0~9)

17. Max. 26 Programmable I/O pins

- CMOS Output
- Pseudo-Open-Drain, or Open-Drain Output
- Schmitt Trigger Input
- Pin Pull-up can be Enabled or Disabled
- All pin with High sink ($60\text{mA}@V_{CC}=5\text{V} \cdot V_{OL}=0.1V_{CC}$)

18. Independent RC Oscillating Watch Dog Timer

- 400ms/200ms/100ms/50ms selectable WDT timeout options

19. Five types Reset

- Power on Reset
- Selectable External Pin Reset
- Selectable Watch Dog Reset
- Software Command Reset
- Selectable Low Voltage Reset

20. 8-level Low Voltage Detect

- 2.2V/2.42V/2.64V/2.86V/3.08V/3.32V/3.56V/3.8V

21. 8-level Low Voltage Reset

- 2.2V/2.42V/2.64V/2.86V/3.08V/3.32V/3.56V/3.8V

22. Five Power Operation Modes

- Fast/Slow/Idle/Halt /Stop mode

23. Integrated 16-bit Cyclic Redundancy Check function**24. Multiplication and division**

- 8 bit Multiplier & Divider (standard 8051)
- 16 bits Multiplier & Divider
- 32 bits ÷ 16 bits hardware Divider

25. On-chip Debug/ICE interface

- Use P3.0/P3.1 pin or P0.0/P0.1 pin
- Share with ICP programming pin

26. Writer interface

- Use P3.0/P3.1

27. Operating Voltage and Current

- $V_{CC} = 2.2V \sim 5.5V$ @ $F_{SYSCLK} = 18.432MHz$
- $I_{CC} = 12\mu A$ @Stop mode, $V_{CC} = 5V$
- $I_{CC} = 5\mu A$ @Stop mode, $V_{CC} = 3V$
- $I_{CC} = 170\mu A$ @Idle mode, $V_{CC} = 5V$

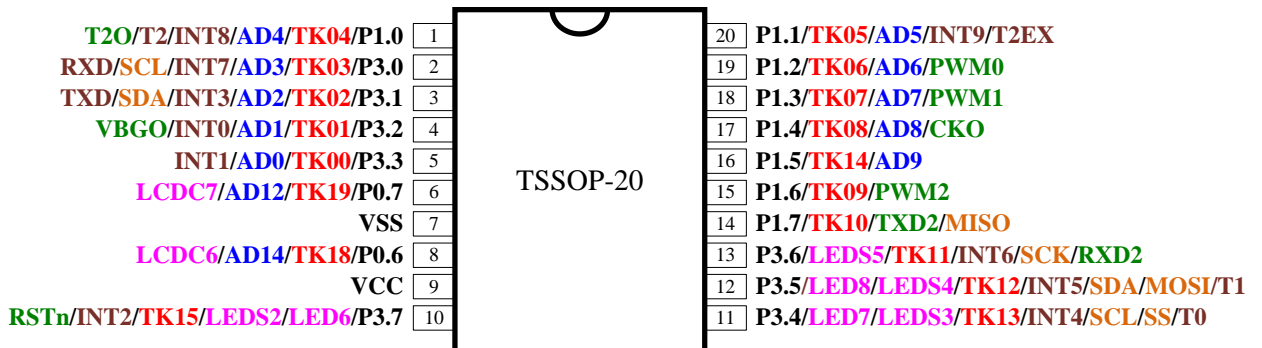
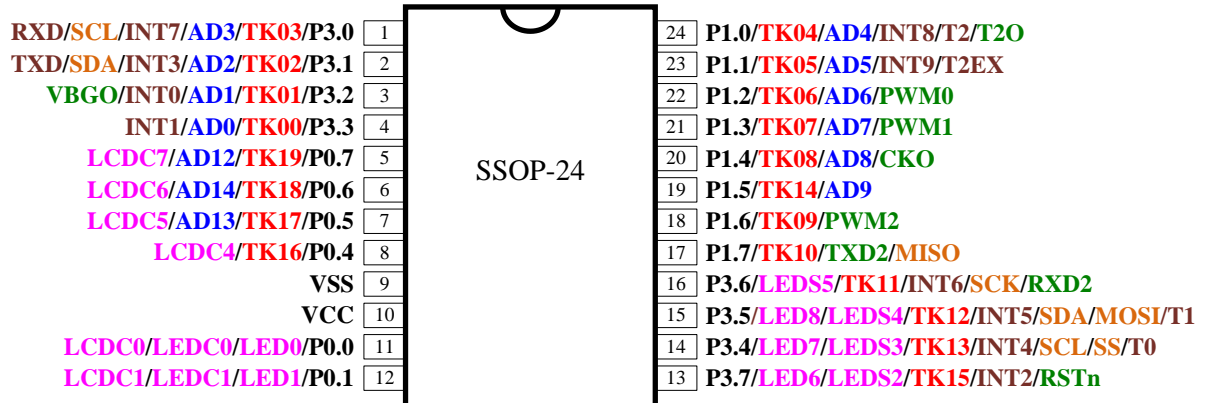
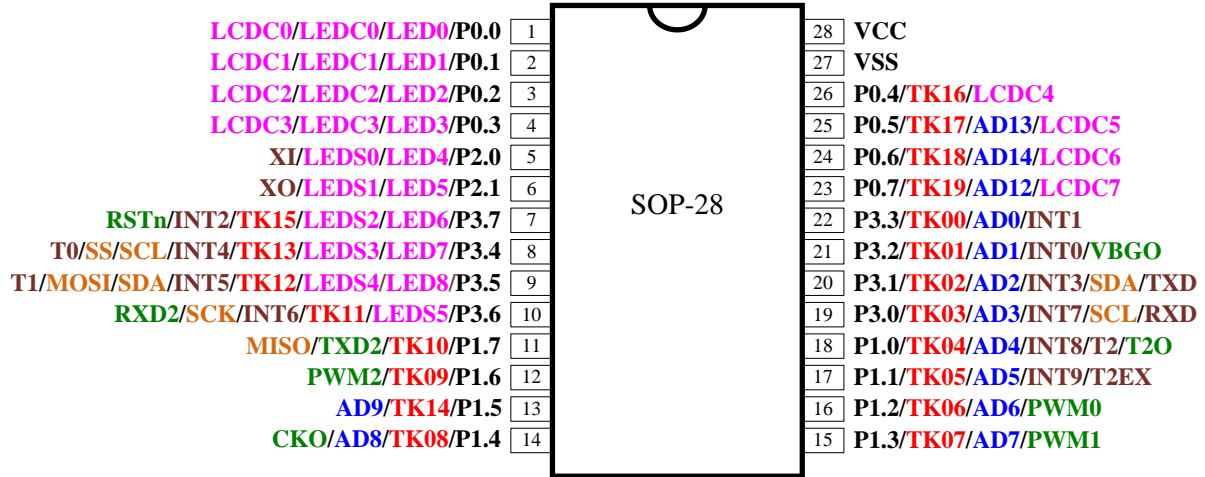
28. Operating Temperature Range

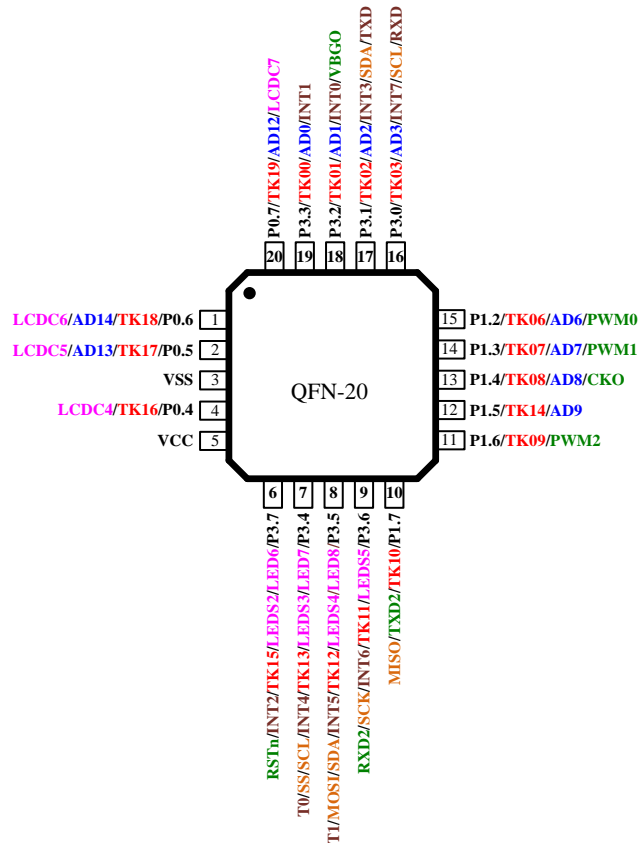
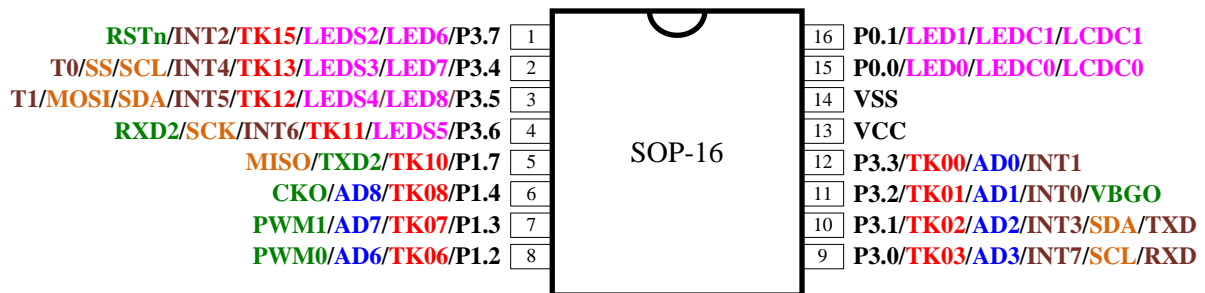
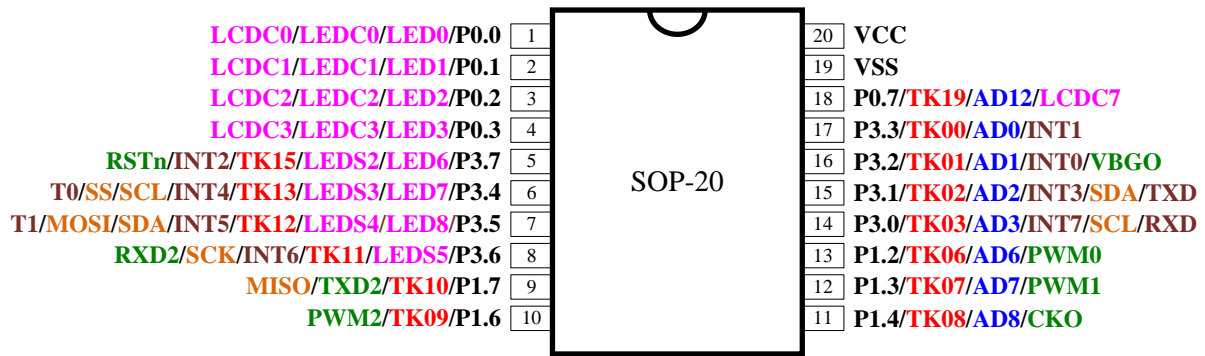
- $-40^{\circ}C \sim +105^{\circ}C$

29. Package Types

- SOP28 (300 mil)
- SSOP24(150 mil)
- SOP20 (300 mil)
- TSSOP20 (173 mil)
- QFN20 (3*3*0.75-0.4mm)
- SOP16 (150 mil)

PIN ASSIGNMENT





PIN DESCRIPTION

Name	In/Out	Pin Description
P0.0~P0.7	I/O	Bit-programmable I/O port for Schmitt-trigger input or CMOS push-pull output. Pull-up resistors are assignable by software.
P1.0~P1.7	I/O	Bit-programmable I/O port for Schmitt-trigger input, CMOS push-pull output or "open-drain" output. Pull-up resistors are assignable by software. These pin's level change can interrupt/wake up CPU from Idle/Stop/Halt mode.
P2.0~P2.1	I/O	Bit-programmable I/O port for Schmitt-trigger input, CMOS push-pull output or "open-drain" output. Pull-up resistors are assignable by software.
P3.0~P3.2	I/O	Bit-programmable I/O port for Schmitt-trigger input, CMOS push-pull output or " pseudo open drain " output. Pull-up resistors are assignable by software.
P3.3~P3.7	I/O	Bit-programmable I/O port for Schmitt-trigger input, CMOS push-pull output or "open-drain" output. Pull-up resistors are assignable by software.
INT0, INT1	I	External low level or falling edge Interrupt input, Idle/Halt/Stop mode wake up input.
INT2~9	I	External falling edge Interrupt input, Idle/Halt /Stop mode wake up input.
RXD	I/O	UART1 Mode0 transmit & receive data, Mode1/2/3 receive data
RXD2	I/O	UART2 Mode1/3 receive data
TXD	I/O	UART1 Mode0 transmit clock, Mode1/2/3 transmit data. In One Wire UART mode, this pin transmits and receives serial data.
TXD2	I/O	UART2 Mode1/3 transmit data.
T0, T1, T2	I	Timer0, Timer1, Timer2 event count pin input.
T2EX	I	Timer2 external trigger input.
T0O	O	Timer0 overflow divided by 64 output
T2O	O	Timer2 overflow divided by 2 output
CKO	O	System Clock divided by 2 output
VBGO	O	Bandgap voltage output
PWM0~PWM2	O	16 bit PWM output
AD0~AD9 AD12~AD14	I	ADC input
TK00~TK19	I	Touch Key input
CLD	I	Touch Key charge collection capacitor connection pin
LCDC0~LCDC7	O	LCD 1/2 bias output
LEDC0~LEDC3	O	LED BiD matrix mode common output
LEDS0~LEDS5	O	LED BiD matrix mode segment output
LED0~LED8	O	LED Dot matrix mode output
MISO	I/O	SPI data input for master mode, data output for slave mode
MOSI	I/O	SPI data output for master mode, data input for slave mode
SS	I	SPI active low slave select input for slave mode
SCK	I/O	SPI clock output for master or clock input for slave mode
SCL	I/O	I ² C SCL
SDA	I/O	I ² C SDA
RSTn	I	External active low reset input, Pull-up resistor is fixed enable.
XI, XO	–	Crystal/Resonator oscillator connection for System clock (FXT or SXT)
VCC, VSS	P	Power input pin and ground

PIN SUMMERY

Pin #	Pin Name	Type	Initial State	Input			Output			Alternative Function							MISC					
				Pull-up Control	Wake up	Ext. Interrupt	CMOS P.P.	P.O.D.	O.D.	LCD	LED BiD matrix	LED Dot matrix	ADC	Touch Key	UART	PWM		Timer	SPI	I ² C		
1	P0.0	I/O	Hi-Z	⊙			●			●	●	●										
2	P0.1	I/O	Hi-Z	⊙			●			●	●	●										
3	P0.2	I/O	Hi-Z	⊙			●			●	●	●										
4	P0.3	I/O	Hi-Z	⊙			●			●	●	●										CLD
5	P2.0	I/O	Hi-Z	●			●		●	●	●	●										Crystal
6	P2.1	I/O	Hi-Z	●			●		●	●	●	●										Crystal
7	P3.7	I/O	PU	●	●	●	●		●		●	●		●								Reset
8	P3.4	I/O	Hi-Z	●	●	●	●		●		●	●		●				●	●	●		
9	P3.5	I/O	Hi-Z	●	●	●	●		●		●	●		●				●	●	●		
10	P3.6	I/O	Hi-Z	●	●	●	●		●		●			●	●				●	●		
11	P1.7	I/O	Hi-Z	●	●		●		●					●	●					●		
12	P1.6	I/O	Hi-Z	●	●		●		●					●		●						
13	P1.5	I/O	Hi-Z	●	●		●		●					●	●							
14	P1.4	I/O	Hi-Z	●	●		●		●					●	●							CKO
15	P1.3	I/O	Hi-Z	●	●		●		●					●	●							
16	P1.2	I/O	Hi-Z	●	●		●		●					●	●							
17	P1.1	I/O	Hi-Z	●	●	●	●		●					●	●				●			
18	P1.0	I/O	Hi-Z	●	●	●	●		●					●	●				●			T2O
19	P3.0	I/O	Hi-Z	●	●	●	●	●						●	●	●					●	
20	P3.1	I/O	Hi-Z	●	●	●	●	●						●	●	●					●	
21	P3.2	I/O	Hi-Z	●	●	●	●	●						●	●							VBGO
22	P3.3	I/O	Hi-Z	●	●	●	●	●						●	●							
23	P0.7	I/O	Hi-Z	⊙			●			●				●	●							
24	P0.6	I/O	Hi-Z	⊙			●			●				●	●							
25	P0.5	I/O	Hi-Z	⊙			●			●				●	●							
26	P0.4	I/O	Hi-Z	⊙			●			●				●								
27	VSS	P																				
28	VCC	P																				

Symbol:

P.P.: Push-Pull O.D.: Open Drain P.O.D: Pseudo Open Drain PU: Pull up

PS:

- Port1, Port2, Port3 these pins control Pull up resistor by operation modes
- ⊙ Port0, control Pull up resistor while PxOE.n=0 and Px.n=1

FUNCTIONAL DESCRIPTION

1. CPU Core

In the 8051 architecture, the C programming language is used as a development platform. The TM52 device features a fast 8051 core in a highly integrated microcontroller, allowing designers to be able to achieve improved performance compared to a classic 8051 device. TM52 series microcontrollers provide a complete binary code with standard 8051 instruction set compatibility, ensuring an easy migration path to accelerate the development speed of system products. The CPU core includes an ALU, a program status word (PSW), an accumulator (ACC), a B register, a stack point (SP), DPTRs, a program counter, an instruction decoder, and core special function registers (SFRs).

1.1 Accumulator (ACC)

This register provides one of the operands for most ALU operations. Accumulators are generally referred to as A or Acc and sometimes referred to as Register A. In this document, the accumulator is represented as “A” or “ACC” including the instruction table. The accumulator, as its name suggests, is used as a general register to accumulate the intermediate results of a large number of instructions. The accumulator is the most important and frequently used register to complete arithmetic and logical operations. It holds the intermediate results of most arithmetic and logic operations and assists in data transportation.

SFR E0h	Bit 7	Bit 6	Bit 5	Bit 4	Bit 3	Bit 2	Bit 1	Bit 0
ACC	ACC.7	ACC.6	ACC.5	ACC.4	ACC.3	ACC.2	ACC.1	ACC.0
R/W	R/W	R/W	R/W	R/W	R/W	R/W	R/W	R/W
Reset	0	0	0	0	0	0	0	0

E0h.7~0 **ACC**: Accumulator

1.2 B Register (B)

The “B” register is very similar to the ACC and may hold a 1 Byte value. This register provides the second operand for multiply or divide instructions. Otherwise, it may be used as a scratch pad register. The B register is only used by two 8051 instructions, MUL and DIV. When A is to be multiplied or divided by another number, the other number is stored in B. For MUL and DIV instructions, it is necessary that the two operands are in A and B.

ex: DIV AB

When this instruction is executed, data inside A and B are divided, and the answer is stored in A.

SFR F0h	Bit 7	Bit 6	Bit 5	Bit 4	Bit 3	Bit 2	Bit 1	Bit 0
B	B.7	B.6	B.5	B.4	B.3	B.2	B.1	B.0
R/W	R/W	R/W	R/W	R/W	R/W	R/W	R/W	R/W
Reset	0	0	0	0	0	0	0	0

F0h.7~0 **B**: B register

1.3 Stack Pointer (SP)

The SP register contains the Stack Pointer. The Stack Pointer is used to load the program counter into memory during LCALL and ACALL instructions and is used to retrieve the program counter from memory in RET and RETI instructions. The stack may also be saved or loaded using PUSH and POP instructions, which also increment and decrement the Stack Pointer.

SFR 81h	Bit 7	Bit 6	Bit 5	Bit 4	Bit 3	Bit 2	Bit 1	Bit 0
SP	SP							
R/W	R/W							
Reset	0	0	0	0	0	1	1	1

81h.7~0 **SP:** Stack Point

1.4 Dual Data Pointer (DPTRs)

TM52 device has two DPTRs, which share the same SFR address. Each DPTR is 16 bits in size and consists of two registers: the DPTR high byte (DPH) and the DPTR low byte (DPL). The DPTR is used for 16-bit-address external memory accesses, for offset code byte fetches, and for offset program jumps. Setting the DPSEL control bit allows the program code to switch between the two physical DPTRs.

SFR 82h	Bit 7	Bit 6	Bit 5	Bit 4	Bit 3	Bit 2	Bit 1	Bit 0
DPL	DPL							
R/W	R/W							
Reset	0	0	0	0	0	0	0	0

82h.7~0 **DPL:** Data Point low byte

SFR 83h	Bit 7	Bit 6	Bit 5	Bit 4	Bit 3	Bit 2	Bit 1	Bit 0
DPH	DPH							
R/W	R/W							
Reset	0	0	0	0	0	0	0	0

83h.7~0 **DPH:** Data Point high byte

SFR F8h	Bit 7	Bit 6	Bit 5	Bit 4	Bit 3	Bit 2	Bit 1	Bit 0
AUX1	CLRWDT	CLRTM3	TKSOC	ADSOC	LVRPD	T2SEL	T1SEL	DPSEL
R/W	R/W	R/W	R/W	R/W	R/W	R/W	R/W	R/W
Reset	0	0	0	0	0	0	0	0

F8h.0 **DPSEL:** Active DPTR Select

1.5 Program Status Word (PSW)

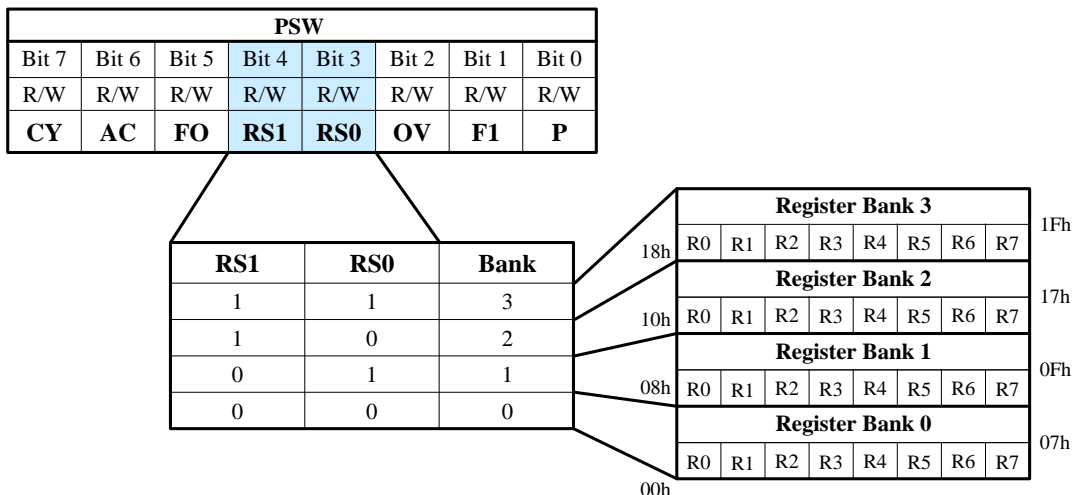
This register contains status information resulting from CPU and ALU operations. The instructions that affect the PSW are listed below.

Instruction	Flag			Instruction	Flag		
	C	OV	AC		C	OV	AC
ADD	X	X	X	CLR C	0		
ADDC	X	X	X	CPL C	X		
SUBB	X	X	X	ANL C, bit	X		
MUL	0	X		ANL C, /bit	X		
DIV	0	X		ORL C, bit	X		
DA	X			ORL C, /bit	X		
RRC	X			MOV C, bit	X		
RLC	X			CJNE	X		
SETB C	1						

A “0” means the flag is always cleared, a “1” means the flag is always set and an “X” means that the state of the flag depends on the result of the operation.

SFR D0h	Bit 7	Bit 6	Bit 5	Bit 4	Bit 3	Bit 2	Bit 1	Bit 0
PSW	CY	AC	F0	RS1	RS0	OV	F1	P
R/W	R/W	R/W	R/W	R/W	R/W	R/W	R/W	R/W
Reset	0	0	0	0	0	0	0	0

- D0h.7 **CY**: ALU carry flag
- D0h.6 **AC**: ALU auxiliary carry flag
- D0h.5 **F0**: General purpose user-definable flag
- D0h.4~3 **RS1, RS0**: The contents of (RS1, RS0) enable the working register banks as:
 - 00: Bank 0 (00h~07h)
 - 01: Bank 1 (08h~0Fh)
 - 10: Bank 2 (10h~17h)
 - 11: Bank 3 (18h~1Fh)
- D0h.2 **OV**: ALU overflow flag
- D0h.1 **F1**: General purpose user-definable flag
- D0h.0 **P**: Parity flag. Set/cleared by hardware each instruction cycle to indicate odd/even number of “one” bits in the accumulator.



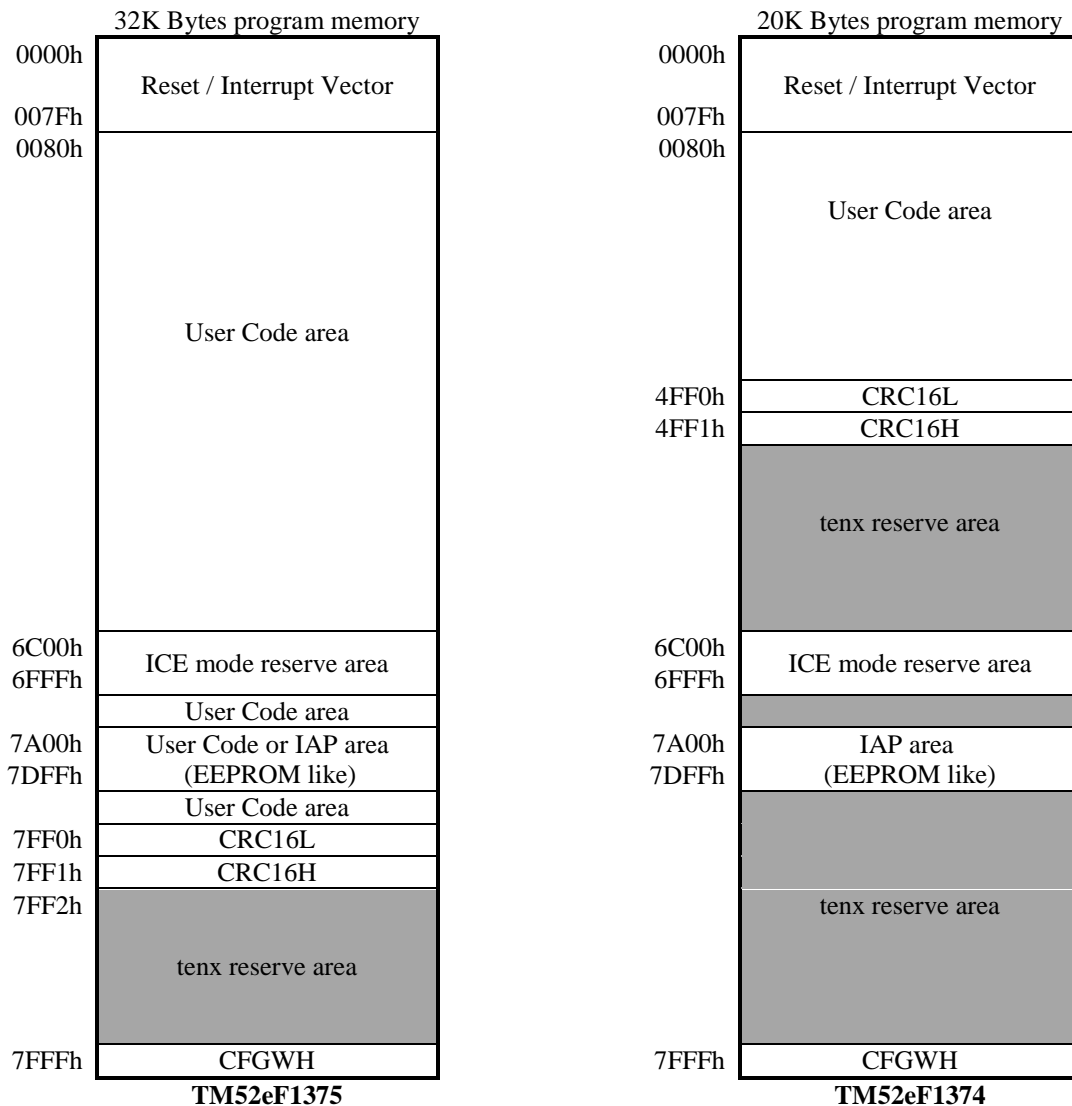
2. Memory

2.1 Program Memory

The Chip has a 32K/20K Bytes Flash program memory for **TM52eF1375/74** which can support In Application Programming (IAP) function modes. The Flash write endurance is at least 100K cycles. The program memory address continuous space (0000h~7FFFh) is partitioned to several sectors for device operation.

2.1.1 Program Memory Functional Partition

The last bytes (7FFFh) of program memory is defined as chip Configuration Word (CFGW), which is loaded into the device control registers upon power on reset (POR). The 0000h~007Fh is occupied by Reset/Interrupt vectors as standard 8051 definition. For **TM52eF1375/74**, the address space 7A00h~7DFFh is defined as the IAP area. In the in-circuit emulation (ICE) mode, user also needs to reserve the address space 6C00h~6FFFh for ICE System communication. CRC16H/L is the reserved area of the checksum. Tenx can provide a CRC verification subroutine. The user can calculate the checksum by the CRC verification subroutine to compare with CRC16H/L and check the validity of the ROM code.



2.1.2 Flash ICP Mode

The Flash memory can be programmed by the tenx proprietary writer (**TWR98/TWR99**), which needs at least four wires (VCC, VSS, P3.0 and P3.1) to connect to this chip. If user wants to program the Flash memory on the target circuit board (In Circuit Program, ICP), these pins must be reserved sufficient freedom to be connected to the Writer.

Writer wire number	Pin connection
4-Wire	VCC, VSS, P3.0, P3.1

2.1.3 Flash IAP Mode (EEPROM like)

The **eF1375/74** has “In Application Program” (IAP) capability, which allows software to read/write data from/to the Flash memory during CPU run time.

There are two pages (7A00h~7BFFh and 7C00h~7DFF) can be IAP write and erase. When using IAP to write, you need to erase first and then write bytes. After erasing, each address can only be written once

IAP erase operation will erase 512 bytes at a time from 7A00h~7BFFh or 7C00h~7DFF. When writing any value in address 7B2Dh, 512 bytes of 7A00h~7BFFh can be erased. Similarly, when writing any value in address 7D69h, 512 bytes of 7C00h~7DFFh can be erased.

Before IAP writing or erasing, there are two SFR, IAPWE and SWCMD, should be set as flowing table. After IAP writing or erasing, IAPWE and SWCMD should be cleared immediately.

Through the "MOVX @DPTR, A" instruction, IAP can be written and erased simply and IAP reading can be done easily by "MOVC" instruction.

SFR Setting	IAP Write	IAP page Erase (Erase 512 bytes)	IAP Disable
Address 7A00h ~ 7BFFh	SWCMD = 65h IAPWE = 4Ah	SWCMD = 65h IAPWE = BAh	SWCMD = 0h IAPWE = 0h
Address 7C00h ~ 7DFFh	SWCMD = 65h IAPWE = 4Ch	SWCMD = 65h IAPWE = BCh	SWCMD = 0h IAPWE = 0h

Address	Byte Write	Page Erase
0000h ~ 79FFh	N	N
7A00h ~ 7BFFh	Y Byte write	Y Page Erase
7C00h ~ 7DFFh	Y Byte write	Y Page Erase
7E00h ~ 7FFFh	N	N

2.1.4 IAP Mode Access Routines

Flash IAP Write is simply achieved by a “MOVX @DPTR, A” instruction while the DPTR contains the target Flash address from 7A00h to 7DFEh, and the ACC contains the data being written. The eF1375/74 accepts IAP write commands only when IAPWE and SWCMD are set to appropriate values. Flash IAP writing one byte requires approximately 20 us and erasing one page requires approximately 2ms. While IAP writing or erasing the CPU stays in a waiting state, but all peripheral modules (Timers, LED, and others) continue running during the writing/erase time. The software must handle the pending interrupts after an IAP write. The **eF1375/74** has a build-in IAP Time-out function for escaping write fail state. Flash IAP writing needs higher V_{CC} voltage, $V_{CC} > 2.5V$.

Before IAP Write, the user should disable the LVR first.

How to erase page 7A00h~7BFFh

- (1) Set the DPTR to 7B2Dh
- (2) Set the SWCMD to 65h
- (3) Set the IAPWE to BAh
- (4) MOVX @DPTR, A (write any data to 7B2Dh to erase 7A00h~7BFFh)

```

; IAP example code
; need 2.5V < VCC < 5.5V
SETB    LVRPD                ; Disable LVR
MOV     DPTR, #7B2Dh         ; DPTR=7B2Dh=target IAP address
MOV     SWCMD, #65h         ; IAP write enable
MOV     IAPWE, #BAh         ; IAP 7A00h~7BFFh erase enable
MOVX    @DPTR, A            ; write any data to 7B2Dh to erase 7A00h~7BFFh
                                ; 7A00h~7BFFh convert to '1' after IAP erase
                                ; 2ms H/W writing time, CPU wait
MOV     IAPWE, #00h         ; IAP write disable, immediately after IAP write
CLR     LVRPD                ; Enable LVR

```

How to erase page 7C00h~7DFFh

- (1) Set the DPTR to 7D69h
- (2) Set the SWCMD to 65h
- (3) Set the IAPWE to BCh
- (4) MOVX @DPTR, A (write any data to 7D69h to erase 7C00h~7DFFh)

```

; IAP example code
; need 2.5V < VCC < 5.5V
SETB    LVRPD                ; Disable LVR
MOV     DPTR, #7D69h         ; DPTR=7D69h=target IAP address
MOV     SWCMD, #65h         ; IAP write enable
MOV     IAPWE, #0BCh        ; IAP 7C00h~7DFFh erase enable
MOVX    @DPTR, A            ; write any data to 7D69h to erase 7C00h~7DFFh
                                ; 7C00h~7DFFh convert to '1' after IAP erase
                                ; 2ms H/W writing time, CPU wait
MOV     IAPWE, #00h         ; IAP write disable, immediately after IAP write
CLR     LVRPD                ; Enable LVR

```

How to write a byte from 7A00h to 7BFFh

- (1) Set the DPTR to 7A00h
- (2) Set the SWCMD to 65h
- (3) Set the IAPWE to 4Ah
- (4) MOVX @DPTR, A (write data to 7A00h)

```

; IAP example code
; need 2.5V < VCC < 5.5V
SETB     LVRPD           ; Disable LVR
MOV      DPTR, #7A00h    ; DPTR=7A00h=target IAP address
MOV      A, #5Ah         ; A=5Ah=target IAP write data
MOV      SWCMD, #65h     ; IAP write enable
MOV      IAPWE, #4Ah     ; IAP write range 7A00h~7BFFh enable

MOVX     @DPTR, A        ; Flash[7A00h] =5Ah, after IAP write
                          ; 20us H/W writing time, CPU wait

MOV      IAPWE, #00h     ; IAP write disable, immediately after IAP write
CLR      A                ; A=0
MOVC     A, @A+DPTR      ; A=5Ah
CLR      LVRPD           ; Enable LVR
    
```

How to write a byte from 7C00h to 7DFFh

- (1) Set the DPTR to 7C00h
- (2) Set the SWCMD to 65h
- (3) Set the IAPWE to 4Ch
- (4) MOVX @DPTR, A (write data to 7C00h)

```

; IAP example code
; need 2.5V < VCC < 5.5V
SETB     LVRPD           ; Disable LVR
MOV      DPTR, #7C00h    ; DPTR=7C00h=target IAP address
MOV      A, #5Ah         ; A=5Ah=target IAP write data
MOV      SWCMD, #65h     ; IAP write enable
MOV      IAPWE, #4Ch     ; IAP write range 7C00h~7DFFh enable

MOVX     @DPTR, A        ; Flash[7C00h] =5Ah, after IAP write
                          ; 20us H/W writing time, CPU wait

MOV      IAPWE, #00h     ; IAP write disable, immediately after IAP write
CLR      A                ; A=0
MOVC     A, @A+DPTR      ; A=5Ah
CLR      LVRPD           ; Enable LVR
    
```

Flash 7FFFh	Bit 7	Bit 6	Bit 5	Bit 4	Bit 3	Bit 2	Bit 1	Bit 0
CFGWH	PROTN	XRSTEN	LVR			–	MVCLOCKN	FRCPSC

7FFFh.1 **MVCLOCKN**: If 0, the MOVC & MOVX cannot access address from 0000h to 01FFh.

SFR 97h	Bit 7	Bit 6	Bit 5	Bit 4	Bit 3	Bit 2	Bit 1	Bit 0
SWCMD	IAPEN/SWRST							
	–						WDTO	IAPEN
R/W	W						R	R
Reset	–						0	0

97h.7~0 **IAPEN (W)**:

Write 65h to enable IAP write/erase;

Write other value to disable IAP write/erase. It is recommended to clear it immediately after IAP access.

97h.0 **IAPEN (R)**: Flag indicates Flash memory sectors can be accessed by IAP or not.

SFR C9h	Bit 7	Bit 6	Bit 5	Bit 4	Bit 3	Bit 2	Bit 1	Bit 0
IAPWE	IAPWE							
	IAPWE	IAPTO	–					
R/W	R	R	W					
Reset	0	0	–					

C9h.7~0 **IAPWE (W)**:

Write 4Ah to enable IAP one byte write to ROM[7A00~7BFF]

Write 4Ch to enable IAP one byte write to ROM[7C00~7DFF]

Write BAh to enable IAP ERASE 512 byte of ROM[7A00~7BFF]

Write BCh to enable IAP ERASE 512 byte of ROM[7C00~7DFF]

Write other value to disable IAP write/page erase

C9h.7 **IAPWE (R)**:

0: IAP write/page erase disable

1: IAP write/page erase enable

C9h.6 **IAPTO (R)**:

IAP Time-Out flag, Set by H/W when IAP Time-out occurs. Cleared by H/W when IAPWE=0.

SFR F7h	Bit 7	Bit 6	Bit 5	Bit 4	Bit 3	Bit 2	Bit 1	Bit 0
AUX2	WDTE		PWRSVAV	VBGOUT	DIV32	IAPTE		MULDIV16
R/W	R/W	R/W	R/W	R/W	R/W	R/W		R/W
Reset	0	0	0	0	0	0	0	0

F7h.2~1 **IAPTE**: IAP write watchdog timer enable

00: Disable

01: wait 0.8mS trigger watchdog time-out flag, and escape the write fail state

10: wait 3.2mS trigger watchdog time-out flag, and escape the write fail state

11: wait 6.4mS trigger watchdog time-out flag, and escape the write fail state

SFR F8h	Bit 7	Bit 6	Bit 5	Bit 4	Bit 3	Bit 2	Bit 1	Bit 0
AUX1	CLRWDT	CLRTM3	TKSOC	ADSOC	LVRPD	T2SEL	T1SEL	DPSEL
R/W	R/W	R/W	R/W	R/W	R/W	R/W	R/W	R/W
Reset	0	0	0	0	0	0	0	0

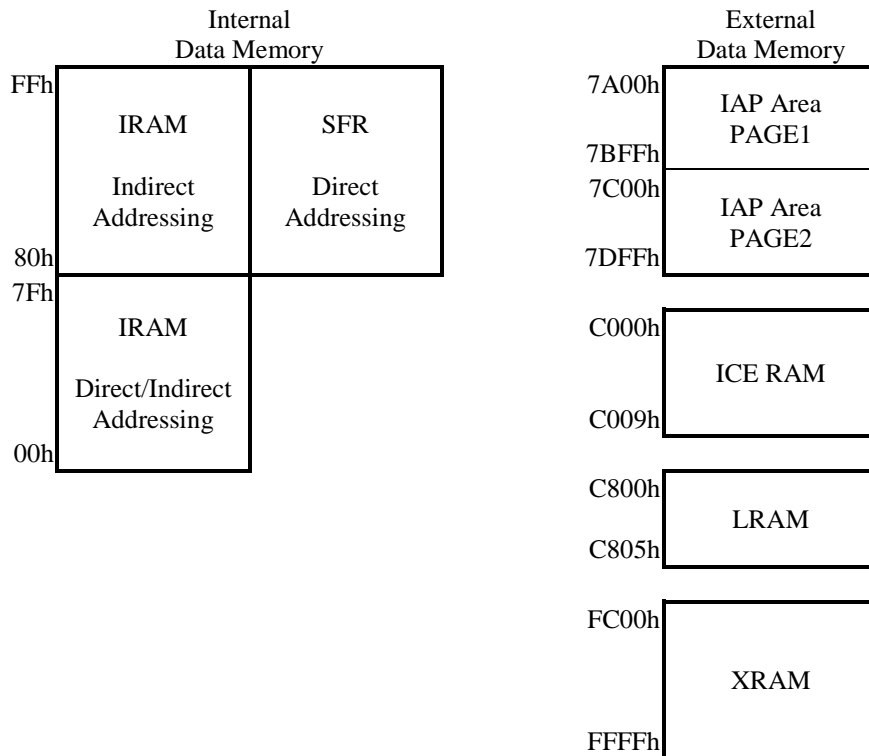
F8h.3 **LVRPD**: Low Voltage Reset function select

0: enable

1: disable

2.2 Data Memory

As the standard 8051, the Chip has both Internal and External Data Memory space. The Internal Data Memory space consists of 256 Bytes IRAM and SFRs, which are accessible through a rich instruction set. The External Data Memory space consists of 1024 Bytes XRAM, 6 Bytes LCD RAM, 10 Bytes ICE RAM, which can be only accessed by MOVX instruction.



2.2.1 IRAM

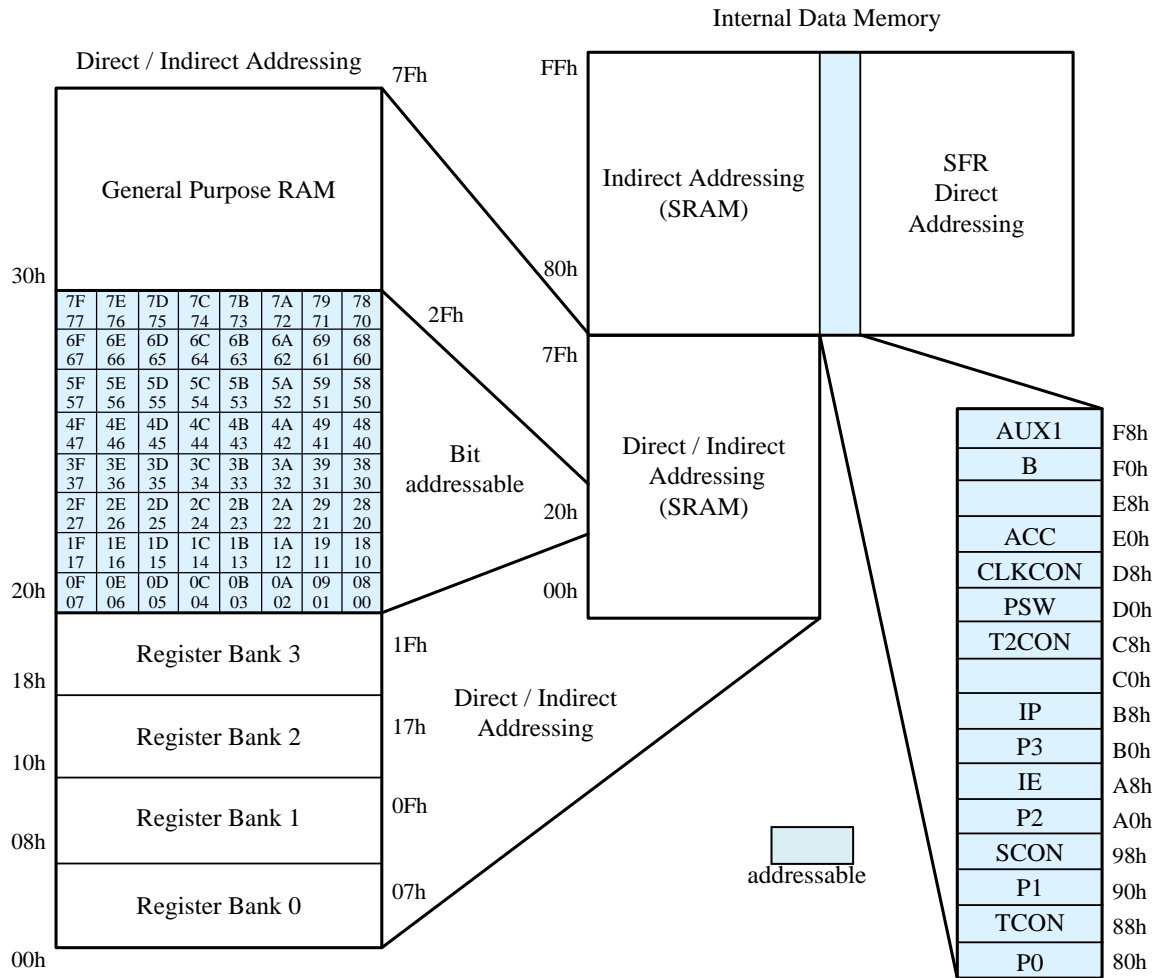
IRAM is located in the 8051 internal data memory space. The whole 256 Bytes IRAM are accessible using indirect addressing but only the lower 128 Bytes are accessible using direct addressing. There are four directly addressable register banks (switching by PSW), which occupy IRAM space from 00h to 1Fh. The address 20h to 2Fh 16 Bytes IRAM space is bit-addressable. IRAM can be used as scratch pad registers or program stack.

2.2.2 XRAM

XRAM is located in the 8051 external data memory space (address from FC00h to FFFFh). The 1024 Bytes XRAM can be only accessed by “MOVX” instruction.

2.2.3 SFRs

All peripheral functional modules such as I/O ports, Timers and UART operations for the chip are accessed via Special Function Registers (SFRs). These registers occupy upper 128 Bytes of direct Data Memory space locations in the range 80h to FFh. There are 14 bit-addressable SFRs (which means that eight individual bits inside a single byte are addressable), such as ACC, B register, PSW, TCON, SCON, and others. The remaining SFRs are only byte addressable. SFRs provide control and data exchange with the resources and peripherals of the Chip. The TM52 series of microcontrollers provides complete binary code with standard 8051 instruction set compatibility. Beside the standard 8051 SFRs, the Chip implements additional SFRs used to configure and access subsystems such as the ADC/LCD, which are unique to the Chip.



	8/0	9/1	A/2	B/3	C/4	D/5	E/6	F/7
F8h	AUX1							
F0h	B	CRCDL	CRCDH	CRCIN		CFGBG	CFGWL	AUX2
E8h		SIADR	SICON	SIRCD1	SIIXDRCD2			
E0h	ACC	MICON	MIDAT			EXA	EXB	
D8h	CLKCON	PWM0PRDH	PWM0PRDL	PWM1PRDH	PWM1PRDL	PWM2PRDH	PWM2PRDL	
D0h	PSW	PWM0DH	PWM0DL	PWM1DH	PWM1DL	PWM2DH	PWM2DL	
C8h	T2CON	IAPWE	RCP2L	RCP2H	TL2	TH2	EXA2	EXA3
C0h		TKPINSEL0	TKPINSEL1	TKPINSEL2		ATKCH0	ATKCH1	ATKCH2
B8h	IP	IPH	IP1	IP1H	SPCON	SPSTA	SPDAT	LVDS
B0h	P3	LEDCON	LEDCON2	LEDCON3	TKTMRL	TKCON2		
A8h	IE	INTE1	ADCDL	ADCDH		TKCON	CHSEL	P0ADIE
A0h	P2	PWMCON	P1MODL	P1MODH	P3MODL	P3MODH	PINMOD	TKCHS
98h	SCON	SBUF					PWMOE	PWMCLR
90h	P1	P0OE	P0LOE	P2MOD	OPTION	INTFLG	P1WKUP	SWCMD
88h	TCON	TMOD	TL0	TL1	TH0	TH1	SCON2	SBUF2
80h	P0	SP	DPL	DPH	INTEX	INTEXF	INTPWM	PCON

3. LVR and LVD setting

The Chip provides LVR and Low Voltage Detection (LVD) functions. There are 8-level LVR can be selected by CFGWH and 8-level LVD can be selected by SFR LVDS. The SFR PWRSV/LVRPD bits also affect LVR function as tables below.

Operation Mode	SFR		CFGWH	LVR	LV Reset	Current consumption
	LVRPD	PWRSV	LVRE			
Fast Slow	0	X	000	ON	2.2V	
	0	X	001	ON	2.42V	
	0	X	010	ON	2.64V	
	0	X	011	ON	2.86V	
	0	X	100	ON	3.08V	
	0	X	101	ON	3.32V	
	0	X	110	ON	3.56V	
	0	X	111	ON	3.8V	
Idle Halt Stop	0	0	000	ON	2.2V	Idle: 172uA Halt: 68uA Stop: 64uA
	0	0	001	ON	2.42V	
	0	0	010	ON	2.64V	
	0	0	011	ON	2.86V	
	0	0	100	ON	3.08V	
	0	0	101	ON	3.32V	
	0	0	110	ON	3.56V	
	0	0	111	ON	3.8V	
Idle	0	1	XXX	ON	POR 2.2V	155uA
Halt Stop	0	1	XXX	OFF	-	Halt: 15uA Stop: 12uA
Fast Slow Idle	1	X	XXX	ON	POR 2.2V	Idle: 155uA
HALT Stop	1	X	XXX	OFF	-	Halt: 15uA Stop: 12uA

LVR and LVD function

SFR F7h	Bit 7	Bit 6	Bit 5	Bit 4	Bit 3	Bit 2	Bit 1	Bit 0
AUX2	WDTE		PWRSV	VBGOUT	DIV32	IAPTE		MULDIV16
R/W	R/W	R/W	R/W	R/W	R/W	R/W		R/W
Reset	0	0	0	0	0	0	0	0

F7h.5 **PWRSV**: Power saving mode control
 0: No power saving
 1: Power saving, disable LVR in IDLE/HALT/STOP mode

SFR F8h	Bit 7	Bit 6	Bit 5	Bit 4	Bit 3	Bit 2	Bit 1	Bit 0
AUX1	CLRWDT	CLRTM3	TKSOC	ADSOC	LVRPD	T2SEL	T1SEL	DPSEL
R/W	R/W	R/W	R/W	R/W	R/W	R/W	R/W	R/W
Reset	0	0	0	0	0	0	0	0

F8h.3 **LVRPD**: Low Voltage Reset function select
 0: enable
 1: disable

SFR BFh	Bit 7	Bit 6	Bit 5	Bit 4	Bit 3	Bit 2	Bit 1	Bit 0
LVDS	LV DIE	LV DO	–	–	LVDS			ENV PULL
R/W	R/W	R	–	–	R/W	R/W	R/W	R/W
Reset	0	0	–	–	0	0	0	0

BFh.7 **LV DIE**: Low Voltage Detect interrupt enable

0: Disable

1: Enable (note: EXLV DIE must be 1 at the same time to generate LVD interrupt)

BFh.6 **LV DO**: Low Voltage Detect output

BFh.3~1 **LV DS**: Low Voltage Detect select

000: Set LVD at 2.2V

001: Set LVD at 2.42V

010: Set LVD at 2.64V

011: Set LVD at 2.86V

100: Set LVD at 3.08V

101: Set LVD at 3.32V

110: Set LVD at 3.56V

111: Set LVD at 3.8V

BFh. 0 **ENV PULL**: Internal VPULL power control. Before entering Stop/Halt mode (PDOWN), it must be set ENV PULL (ENV PULL = 1) and clear ENV PULL (ENV PULL = 0) after Stop/Halt mode wakeup.

0: Disable

1: Enable

Flash 7FFFh	Bit 7	Bit 6	Bit 5	Bit 4	Bit 3	Bit 2	Bit 1	Bit 0
CFG WH	PRO TN	XR STEN	LV RE			–	MVC LOCKN	FRC PSC

7FFFh.5~3 **LV RE**: Low Voltage Reset function select

000: Set LVR at 2.2V

001: Set LVR at 2.42V

010: Set LVR at 2.64V

011: Set LVR at 2.86V

100: Set LVR at 3.08V

101: Set LVR at 3.32V

110: Set LVR at 3.56V

111: Set LVR at 3.8V

4. Reset

The Chip has five types of reset methods. Resets can be caused by Power on Reset (POR), External Pin Reset (XRST), Software Command Reset (SWRST), Watchdog Timer Reset (WDTR), or Low Voltage Reset (LVR). The CFGWH controls the Reset functionality. The SFRs are returned to their default value after Reset.

4.1 Power on Reset

After Power on Reset, the device stays on Reset state for 40 ms as chip warm up time, then downloads the CFGW register from ROM's last six bytes. The Power on Reset needs VCC pin's voltage first discharge to near VSS level, then rise beyond 2.2V. Before the VCC exceeds the POR(2.3V), the IOPAD may be in an indeterminate output state.

4.2 External Pin Reset

External Pin Reset is active low. It needs to keep at least 2 SRC clock cycle long to be seen by the Chip. External Pin Reset can be disabled or enabled by CFGW.

4.3 Software Command Reset

Software Reset is activated by writing the SFR 97h with data 56h.

4.4 Watchdog Timer Reset

WDT overflow Reset is disabled or enabled by SFR F7h. The WDT uses SRC as its counting time base. It runs in Fast/Slow mode and runs or stops in Idle/Stop mode. WDT overflow speed can be defined by WDTPSC SFR. WDT is cleared by device Reset or CLRWDT SFR bit.

4.5 Low Voltage Reset

The Chip provides LVR and Low Voltage Detection (LVD) functions. There are 8-level LVR can be selected by CFGWH.

Flash 7FFFh	Bit 7	Bit 6	Bit 5	Bit 4	Bit 3	Bit 2	Bit 1	Bit 0
CFGWH	PROTN	XRSTEN	LVRE			–	MVCLOCKN	FRCPSC

7FFFh.6 **XRSTEN**: External Pin Reset control
 0: Enable External Pin Reset
 1: Disable External Pin Reset

7FFFh.5~3 **LVRE**: Low Voltage Reset function select
 000: Set LVR at 2.2V
 001: Set LVR at 2.42V
 010: Set LVR at 2.64V
 011: Set LVR at 2.86V
 100: Set LVR at 3.08V
 101: Set LVR at 3.32V
 110: Set LVR at 3.56V
 111: Set LVR at 3.8V

SFR 94h	Bit 7	Bit 6	Bit 5	Bit 4	Bit 3	Bit 2	Bit 1	Bit 0
OPTION	UART1W	–	WDTPSC		ADCKS		TM3PSC	
R/W	R/W	–	R/W		R/W		R/W	
Reset	0	–	0	0	0	0	0	0

94h.5~4 **WDTPSC:** Watchdog Timer pre-scalar time select

00: 400ms WDT overflow rate

01: 200ms WDT overflow rate

10: 100ms WDT overflow rate

11: 50ms WDT overflow rate

SFR 95h	Bit 7	Bit 6	Bit 5	Bit 4	Bit 3	Bit 2	Bit 1	Bit 0
INTFLG	LVDIF	–	TKIF	ADIF	–	–	P1IF	TF3
R/W	R/W	–	R/W	R/W	–	–	R/W	R/W
Reset	0	–	0	0	–	–	0	0

95h.7 **LVDIF:** Low Voltage Detect interrupt flag

Set by H/W. S/W writes 7Fh to INTFLG to clear this flag.

SFR 97h	Bit 7	Bit 6	Bit 5	Bit 4	Bit 3	Bit 2	Bit 1	Bit 0
SWCMD	IAPEN/SWRST							
R/W	W						R/W	R/W
Reset	–						–	0

97h.7~0 **SWRST:** Write 56h to generate S/W Reset

SFR F7h	Bit 7	Bit 6	Bit 5	Bit 4	Bit 3	Bit 2	Bit 1	Bit 0
AUX2	WDTE		PWRSAV	VBGOUT	DIV32	IAPTE		MULDIV16
R/W	R/W	R/W	R/W	R/W	R/W	R/W		R/W
Reset	0	0	0	0	0	0	0	0

F7h.7~6 **WDTE:** Watchdog Timer Reset control

0x: Watchdog Timer Reset disable

10: Watchdog Timer Reset enable in Fast/Slow mode, disable in Idle/Halt/Stop mode

11: Watchdog Timer Reset always enable

SFR F8h	Bit 7	Bit 6	Bit 5	Bit 4	Bit 3	Bit 2	Bit 1	Bit 0
AUX1	CLRWDT	CLRTM3	TKSOC	ADSOC	LVRPD	T2SEL	T1SEL	DPSEL
R/W	R/W	R/W	R/W	R/W	R/W	R/W	R/W	R/W
Reset	0	0	0	0	0	0	0	0

F8h.7 **CLRWDT:** Set to clear WDT, H/W auto clear it at next clock cycle

F8h.3 **LVRPD:** Low Voltage Reset function select

0: enable

1: disable

5. Clock Circuitry & Operation Mode

5.1 System Clock

The Chip is designed with dual-clock system. During runtime, user can directly switch the System clock from fast to slow or from slow to fast. It also can directly select a clock divider of 1, 2, 4 or 16. The Fast clock can be selected as FXT (Fast Crystal, 1~18 MHz) or FRC (Fast Internal RC, 18.432 MHz). The Slow clock can be selected as SXT (Slow Crystal, 32 KHz) or SRC (Slow Internal RC, 80 KHz). Fast mode and Slow mode are defined as the CPU running at Fast and Slow clock speeds.

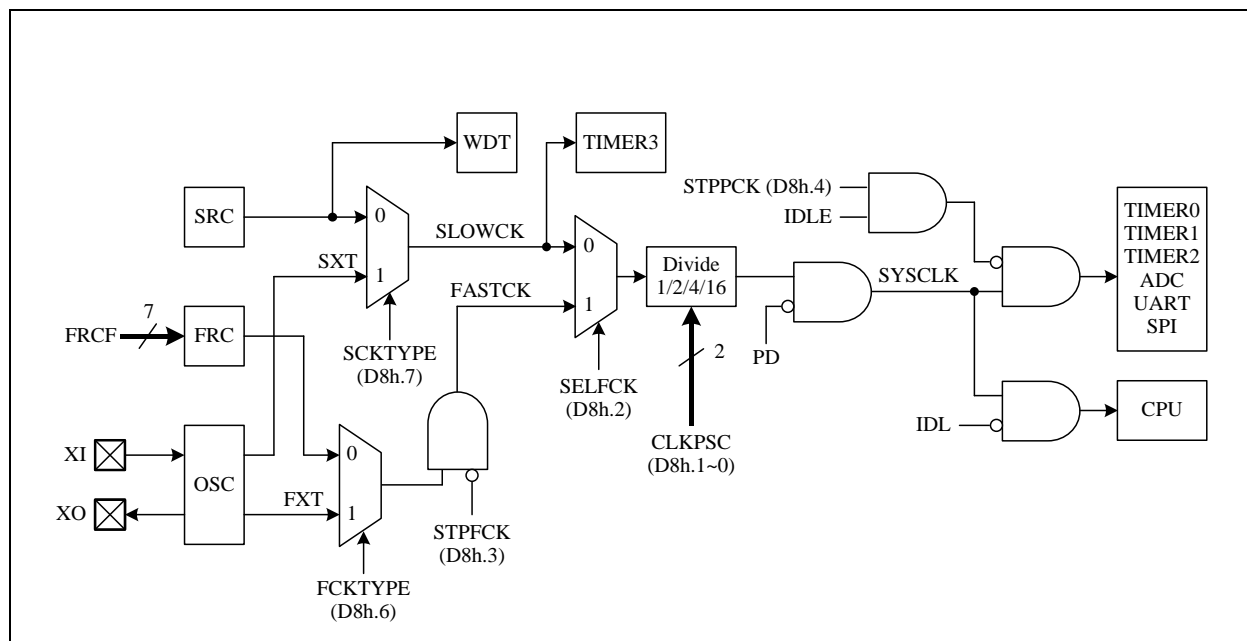
After Reset, the device is running at Slow mode with 80 KHz SRC. S/W should select the proper clock rate for chip operation safety. The higher V_{CC} allows the chip to run at a higher System clock frequency. In a typical condition, a 18 MHz System clock rate requires $V_{CC} > 2.3V$.

The Chip has an external oscillators connected to the XI/XO pins. It relies on external circuitry for the clock signal and frequency stabilization, such as a stand-alone oscillator, quartz crystal, or ceramic resonator. In Fast mode, the fast oscillator can be used in the range from 1~18 MHz. In Slow mode, the slow oscillator can only use a clock frequency of 32.768 KHz.

The **CLKCON** SFR controls the System clock operating. H/W automatically blocks the S/W abnormally setting for this register. S/W can only change the Slow clock type in Fast mode and change the Fast clock type in Slow mode. Never to write both STPFCK=1 & SELFCK=1. It is recommended to write this SFR bit by bit.

If user wants to switch Fsys from Slow clock to FXT, user should be following the step below

1. Set FCKTYPE (D8h.6)
2. Wait 2ms until FXT oscillation stable
3. Set SELFCK (D8h.2)



Clock Structure

The chip can also output the "System clock divided by 2" signal (CKO) to P1.4 pin. CKO pin's output setting is controlled by TCOE SFR (*see section 7*).

Note: Because of the CLKPSC delay, it needs to wait for 16 clock cycles (max.) before switching Slow clock to Fast clock. Also refer to AP-TM52XXXXX_01S and AP-TM52XXXXX_02S about System Clock Application Note.

SYSCLK	CLKCON (D8h)			
	bit7 SCKTYPE	bit6 FCKTYPE	bit3 STPFCK	bit2 SELFCK
Fast FXT	0/1	1	0	1
Fast FRC	0/1	0	0	1
Slow SXT	1	0/1	0/1	0
Slow SRC	0	0/1	0/1	0
Fast type change	0/1	0 ← → 1	0/1	0
Slow type change	0 ← → 1	0/1	0	1
Stop FRC/FXT	0/1	0/1	0 → 1	0
Switch to FRC/FXT	0/1	0/1	0	0 → 1
Switch to SRC/SXT	0/1	0/1	0	1 → 0

SFR F6h	Bit 7	Bit 6	Bit 5	Bit 4	Bit 3	Bit 2	Bit 1	Bit 0
CFGWL	–	FRCF						
R/W	–	R/W						
Reset	–	–	–	–	–	–	–	–

F6h.6~0 **FRCF**: FRC frequency adjustment
 00h= lowest frequency, 7Fh=highest frequency.

SFR D8h	Bit 7	Bit 6	Bit 5	Bit 4	Bit 3	Bit 2	Bit 1	Bit 0
CLKCON	SCKTYPE	FCKTYPE	STPSCK	STPPCK	STPFCK	SELFCK	CLKPSC	
R/W	R/W	R/W	R/W	R/W	R/W	R/W	R/W	
Reset	0	0	1	0	0	0	1	1

- D8h.7 **SCKTYPE**: Slow clock type. This bit can be changed only in Fast mode (SELFCK=1).
 0: SRC
 1: SXT, P2.0 and P2.1 are crystal pins
- D8h.6 **FCKTYPE**: Fast clock type. This bit can be changed only in Slow mode (SELFCK=0).
 0: FRC
 1: FXT, P2.0 and P2.1 are crystal pins, oscillator gain is high for FXT
- D8h.5 **STPSCK**: Set 1 to stop Slow clock after PD=1 (Halt / Stop mode control)
- D8h.4 **STPPCK**: Set 1 to stop UARTs/Timer0/Timer1/Timer2/ADC clock in Idle mode for current reducing. If set, only Timer3 and pin interrupts are alive in Idle Mode.
- D8h.3 **STPFCK**: Set 1 to stop Fast clock for power saving in Slow/Idle mode. This bit can be changed only in Slow mode.
- D8h.2 **SELFCK**: System clock source selection. This bit can be changed only when STPFCK=0.
 0: Slow clock
 1: Fast clock
- D8h.1~0 **CLKPSC**: System clock prescaler. Effective after 16 clock cycles (Max.) delay.
 00: System clock is Fast/Slow clock divided by 16
 01: System clock is Fast/Slow clock divided by 4
 10: System clock is Fast/Slow clock divided by 2
 11: System clock is Fast/Slow clock divided by 1

5.2 Operation Modes

There are four operation modes for this device. **Fast Mode** is defined as the CPU running at Fast clock speed. **Slow Mode** is defined as the CPU running at Slow clock speed. When the System clock speed is lower, the power consumption is lower.

Idle Mode is entered by setting the IDL bit in PCON SFR. Both Fast and Slow clock can be set as the System clock source in Idle Mode, but Slow clock is better for power saving. In Idle mode, the CPU puts itself to sleep while the on-chip peripherals stay active. The “STPPCK” bit in CLKCON SFR can be set to furthermore reduce Idle mode current. If STPPCK is set, only Timer3 and pin interrupts are alive in Idle Mode, others peripherals such as Timer0/1/2, UARTs and ADC are stop. The slower System clock rate also helps current saving. It can be achieved by setup the CLKPSC SFR to divide System clock frequency. Idle mode is terminated by Reset or enabled Interrupts wake up.

Halt Mode is entered by setting the PD bit in PCON SFR and STPSCK is cleared. In Halt mode, all clocks stop except the Timer3 and WDT could be alive if they are enabled. Halt Mode is terminated by Reset, pin wake up or Timer3 interrupt.

Stop Mode is entered by setting the PD bit in PCON SFR. This mode is the so-called “Power Down” mode in standard 8051. In Stop mode, all clocks stop except the WDT could be alive if it is enabled. Stop Mode is terminated by Reset or pin wake up. Must be set to slow clock mode (SELFCK=0) before entering Stop mode (PDOWN).

Note: Chip cannot enter Stop/Halt Mode if INTn pin is low and wakeup is enable. (INTn=0 and EXn=1, n=0~9)

SFR 87h	Bit 7	Bit 6	Bit 5	Bit 4	Bit 3	Bit 2	Bit 1	Bit 0
PCON	SMOD	–	–	–	GF1	GF0	PD	IDL
R/W	R/W	–	–	–	R/W	R/W	R/W	R/W
Reset	0	–	–	–	0	0	0	0

87h.1 **PD:** Power down control bit, set 1 to enter STOP/Halt mode.

87h.0 **IDL:** Idle mode control bit, set 1 to enter IDLE mode.

SFR F7h	Bit 7	Bit 6	Bit 5	Bit 4	Bit 3	Bit 2	Bit 1	Bit 0
AUX2	WDTE		PWRSVAV	VBGOUT	DIV32	IAPTE		MULDIV16
R/W	R/W	R/W	R/W	R/W	R/W	R/W		R/W
Reset	0	0	0	0	0	0	0	0

F7h.4 **VBGOUT:** VBG voltage output to P3.2

0: Disable

1: Enable, The additional condition VBGGEN=1 (AEh.1) should be set.

SFR D8h	Bit 7	Bit 6	Bit 5	Bit 4	Bit 3	Bit 2	Bit 1	Bit 0
CLKCON	SCKTYPE	FCKTYPE	STPSCK	STPPCK	STPFCK	SELFCK	CLKPSC	
R/W	R/W	R/W	R/W	R/W	R/W	R/W	R/W	
Reset	0	0	1	0	0	0	1	1

- D8h.7 **SCKTYPE**: Slow clock type. This bit can be changed only in Fast mode (SELFCK=1).
0: SRC 1: SXT
- D8h.6 **FCKTYPE**: Fast clock type. This bit can be changed only in Slow mode (SELFCK=0).
0: FRC 1: FXT
- D8h.5 **STPSCK**: Set 1 to stop Slow clock after PD=1 (Halt / Stop mode control)
- D8h.4 **STPPCK**: Set 1 to stop UART/Timer0/Timer1/Timer2/ADC clock in Idle mode for current reducing. If set, only Timer3 and pin interrupts are alive in Idle Mode.
- D8h.3 **STPFCK**: Set 1 to stop Fast clock for power saving in Slow/Idle mode. This bit can be changed only in Slow mode.
- D8h.2 **SELFCK**: System clock source selection. This bit can be changed only when STPFCK=0.
0: Slow clock 1: Fast clock
- D8h.1~0 **CLKPSC**: System clock prescaler. Effective after 16 clock cycles (Max.) delay.
00: System clock is Fast/Slow clock divided by 16
01: System clock is Fast/Slow clock divided by 4
10: System clock is Fast/Slow clock divided by 2
11: System clock is Fast/Slow clock divided by 1

6. Interrupt & Wake-up

This Chip has a 14-source four-level priority interrupt structure. All enabled Interrupts can wake up CPU from Idle mode, but only the Pin Interrupts can wake up CPU from Stop mode. The Halt mode can be waked up by Time3 and Pin Interrupts. Each interrupt source has its own enable control bit. An interrupt event will set its individual Interrupt Flag, no matter whether its interrupt enable control bit is 0 or 1. The Interrupt vectors and flags are list below.

Vector	Flag	Description
0003	IE0	INT0 external pin Interrupt (can wake up Halt/Stop mode)
000B	TF0	Timer0 Interrupt
0013	IE1	INT1 external pin Interrupt (can wake up Halt/Stop mode)
001B	TF1	Timer1 Interrupt
0023	RI+TI	Serial Port (UART1) Interrupt
002B	TF2+EXF2	Timer2 Interrupt
0033	–	Reserved for ICE mode use
003B	TF3	Timer3 Interrupt (can wake up Halt mode)
0043	P1IF	Port1 external pin change Interrupt (can wake up Halt/Stop mode)
004B	IE2~IE9 LVDIF	INT2~INT9 external pin Interrupt (can wake up Halt/Stop mode) LVD interrupt
0053	ADIF+TKIF	ADC/Touch Key Interrupt
005B	SPIF+WCOL+MODF	SPI Interrupt
0063	RI2+TI2	Serial Port (UART2) Interrupt
006B	MIF TXDF RCD2F RCD1F	I ² C interrupt Vector
0073	PWM0IF PWM1IF PWM2IF	PWM0~2 Interrupt Vector

Interrupt Vector & Flag

6.1 Interrupt Enable and Priority Control

The IE and INTE1 SFRs decide whether the pending interrupt is serviced by CPU. The P1WKUP SFR controls the individual Port1 pin's wake-up and interrupt capability. The IP, IPH, IP1 and IP1H SFRs decide the interrupt priority. An interrupt will be serviced as long as an interrupt of equal or higher priority is not already being serviced. If an interrupt of equal or higher level priority is being serviced, the new interrupt will wait until it is finished before being serviced. If a lower priority level interrupt is being serviced, it will be stopped and the new interrupt serviced. When the new interrupt is finished, the lower priority level interrupt that was stopped will be completed.

6.2 Suggestions on interrupting subroutines

The period and duty cycle of PWM are 16-bit operations. When writing and reading the high and low bytes of PWMxDH, PWMxDL, PWMxPRDH and PWMxPRDL, interrupts should be avoided. If you are reading and writing these 16-bit SFRs in the meantime an interrupt occurs. And these SFRs are read and written in the interrupt. It is easy to cause read and write errors. For the 16-bit PWM period and duty to read and write, it is recommended to update the data only in the main program, or update the data only in the interrupt to avoid possible errors.

SFR 84h	Bit 7	Bit 6	Bit 5	Bit 4	Bit 3	Bit 2	Bit 1	Bit 0
INTEX	EX9	EX8	EX7	EX6	EX5	EX4	EX3	EX2
R/W	R/W	R/W	R/W	R/W	R/W	R/W	R/W	R/W
Reset	0	0	0	0	0	0	0	0

84h.7~0 **EX9~EX2:** External INT9~INT2 pin Interrupt enable and Stop/Halt mode wake up enable.

0: Disable INTx pin Interrupt and Stop/Halt mode wake up

1: Enable INTx pin Interrupt and Stop/Halt mode wake up, it can wake up CPU from Stop/Halt mode no matter EA is 0 or 1. (note: EXLVDIE must be 1 at the same time to generate INTx interrupt and wake up)

SFR 96h	Bit 7	Bit 6	Bit 5	Bit 4	Bit 3	Bit 2	Bit 1	Bit 0
P1WKUP	P1WKUP							
R/W	R/W							
Reset	0	0	0	0	0	0	0	0

96h.7~0 **P1WKUP:** P1.7~P1.0 pin individual Wake-up / Interrupt enable control

0: Disable

1: Enable

SFR 9Eh	Bit 7	Bit 6	Bit 5	Bit 4	Bit 3	Bit 2	Bit 1	Bit 0
PWMOE	PWM1IE	PWM0IE	–	–	–	PWM2OE	PWM1OE	PWM0OE
R/W	R/W	R/W	–	–	–	R/W	R/W	R/W
Reset	0	0	–	–	–	0	0	0

9Eh.7 **PWM1IE:** PWM1 Interrupt Enable

0: disable

1: enable (note: PWMIE must be 1 at the same time to generate PWM interrupt)

9Eh.6 **PWM0IE:** PWM0 Interrupt Enable

0: disable

1: enable (note: PWMIE must be 1 at the same time to generate PWM interrupt)

SFR 9Fh	Bit 7	Bit 6	Bit 5	Bit 4	Bit 3	Bit 2	Bit 1	Bit 0
PWMCLR	PWM2IE	–	–	–	–	PWM2CLR	PWM1CLR	PWM0CLR
R/W	R/W	–	–	–	–	R/W	R/W	R/W
Reset	0	–	–	–	–	0	0	0

9Fh.7 **PWM2IE:** PWM2 Interrupt Enable

0: disable

1: enable (note: PWMIE must be 1 at the same time to generate PWM interrupt)

SFR A8h	Bit 7	Bit 6	Bit 5	Bit 4	Bit 3	Bit 2	Bit 1	Bit 0
IE	EA	–	ET2	ES	ET1	EX1	ET0	EX0
R/W	R/W	–	R/W	R/W	R/W	R/W	R/W	R/W
Reset	0	–	0	0	0	0	0	0

- A8h.7 **EA:** Global interrupt enable control.
 0: Disable all Interrupts.
 1: Each interrupt is enabled or disabled by its individual interrupt control bit
- A8h.5 **ET2:** Timer2 interrupt enable
 0: Disable Timer2 interrupt
 1: Enable Timer2 interrupt
- A8h.4 **ES:** Serial Port (UART1) interrupt enable
 0: Disable Serial Port (UART1) interrupt
 1: Enable Serial Port (UART1) interrupt
- A8h.3 **ET1:** Timer1 interrupt enable
 0: Disable Timer1 interrupt
 1: Enable Timer1 interrupt
- A8h.2 **EX1:** External INT1 pin Interrupt enable and Stop/Halt mode wake up enable
 0: Disable INT1 pin Interrupt and Stop/Halt mode wake up
 1: Enable INT1 pin Interrupt and Stop/Halt mode wake up, it can wake up CPU from Stop/Halt mode no matter EA is 0 or 1.
- A8h.1 **ET0:** Timer0 interrupt enable
 0: Disable Timer0 interrupt
 1: Enable Timer0 interrupt
- A8h.0 **EX0:** External INT0 pin Interrupt enable and Stop/Halt mode wake up enable
 0: Disable INT0 pin Interrupt and Stop/Halt mode wake up
 1: Enable INT0 pin Interrupt and Stop/Halt mode wake up, it can wake up CPU from Stop/Halt mode no matter EA is 0 or 1.

SFR A9h	Bit 7	Bit 6	Bit 5	Bit 4	Bit 3	Bit 2	Bit 1	Bit 0
INTE1	PWMIE	I2CE	ES2	SPIE	ADTKIE	EXLVDIE	P1IE	TM3IE
R/W	R/W	R/W	R/W	R/W	R/W	R/W	R/W	R/W
Reset	0	0	0	0	0	0	0	0

- A9h.7 **PWMIE**: PWM0~PWM2 interrupt enable
 0: Disable PWM0~PWM2 interrupt
 1: Enable PWM0~PWM2 interrupt
- A9h.6 **I2CE**: I²C (master/slave) interrupt enable
 0: Disable I²C interrupt
 1: Enable I²C interrupt
- A9h.5 **ES2**: Serial Port (UART2) interrupt enable
 0: Disable Serial Port (UART2) interrupt
 1: Enable Serial Port (UART2) interrupt
- A9h.4 **SPIE**: SPI interrupt enable
 0: Disable SPI interrupt
 1: Enable SPI interrupt
- A9h.3 **ADTKIE**: ADC/Touch Key interrupt enable
 0: Disable ADC/Touch Key interrupt
 1: Enable ADC/Touch Key interrupt
- A9h.2 **EXLVDIE**: External INT2~INT9 and LVD interrupt enable and Stop/Halt mode wake up enable
 0: Disable INT2~INT9 pin Interrupt and Stop/Halt mode wake up
 Disable LVD interrupt
 1: Enable INT2~INT9 pin Interrupt and Stop/Halt mode wake up, it can wake up CPU from Stop/Halt mode no matter EA is 0 or 1.
 Enable LVD interrupt.
- A9h.1 **P1IE**: Port1 pin change interrupt enable. This bit does not affect the Port1 pin's Stop/Halt mode wake up capability.
 0: Disable Port1 pin change interrupt
 1: Enable Port1 pin change interrupt
- A9h.0 **TM3IE**: Timer3 interrupt enable and Halt mode wake up enable
 0: Disable Timer3 interrupt t and Halt mode wake up
 1: Enable Timer3 interrupt t and Halt mode wake up, it can wake up CPU from Halt mode no matter EA is 0 or 1.

SFR B9h	Bit 7	Bit 6	Bit 5	Bit 4	Bit 3	Bit 2	Bit 1	Bit 0
IPH	–	–	PT2H	PSH	PT1H	PX1H	PT0H	PX0H
R/W	–	–	R/W	R/W	R/W	R/W	R/W	R/W
Reset	–	–	0	0	0	0	0	0

SFR B8h	Bit 7	Bit 6	Bit 5	Bit 4	Bit 3	Bit 2	Bit 1	Bit 0
IP	–	–	PT2	PS	PT1	PX1	PT0	PX0
R/W	–	–	R/W	R/W	R/W	R/W	R/W	R/W
Reset	–	–	0	0	0	0	0	0

B9h.5, B8h.5 **PT2H, PT2** : Timer2 Interrupt Priority control. (PT2H, PT2) =

11: Level 3 (highest priority)

10: Level 2

01: Level 1

00: Level 0 (lowest priority)

B9h.4, B8h.4 **PSH, PS** : Serial Port (UART1) Interrupt Priority control. Definition as above.

B9h.3, B8h.3 **PT1H, PT1** : Timer1 Interrupt Priority control. Definition as above.

B9h.2, B8h.2 **PX1H, PX1** : External INT1 pin Interrupt Priority control. Definition as above.

B9h.1, B8h.1 **PT0H, PT0** : Timer0 Interrupt Priority control. Definition as above.

B9h.0, B8h.0 **PX0H, PX0** : External INT0 pin Interrupt Priority control. Definition as above.

SFR BBh	Bit 7	Bit 6	Bit 5	Bit 4	Bit 3	Bit 2	Bit 1	Bit 0
IP1H	PPWMH	PI2CH	PS2H	PSPIH	PADTKIH	PX2_9LVDH	PP1H	PT3H
R/W	R/W	R/W	R/W	R/W	R/W	R/W	R/W	R/W
Reset	0	0	0	0	0	0	0	0

SFR BAh	Bit 7	Bit 6	Bit 5	Bit 4	Bit 3	Bit 2	Bit 1	Bit 0
IP1	PPWM	PI2C	PS2	PSPI	PADTKI	PX2_9LVD	PP1	PT3
R/W	R/W	R/W	R/W	R/W	R/W	R/W	R/W	R/W
Reset	0	0	0	0	0	0	0	0

BBh.7, BAh.7 **PPWMH, PPWM**: PWM0~PWM2 Interrupt Priority control. Definition as above.

BBh.6, BAh.6 **PI2CH, PI2C**: I2C (Master/Slave) Interrupt Priority control. Definition as above.

BBh.5, BAh.5 **PS2H, PS2**: Serial Port (UART2) Interrupt Priority control. Definition as above.

BBh.4, BAh.4 **PSPIH, PSPI**: SPI Interrupt Priority control. Definition as above.

BBh.3, BAh.3 **PADTKIH, PADTKI**: ADC/Touch Key Interrupt Priority control. Definition as above.

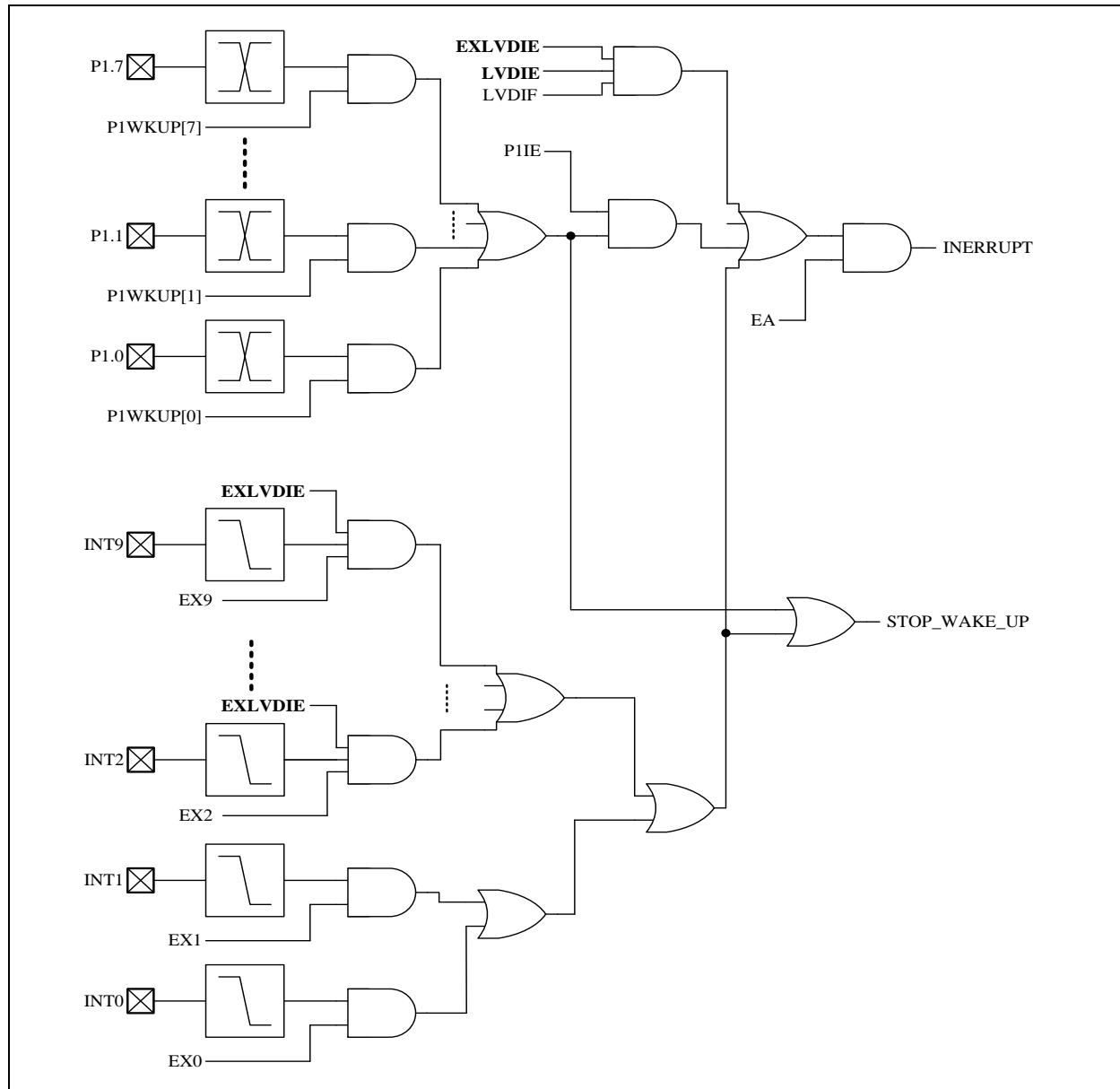
BBh.2, BAh.2 **PX2_9LVDH, PX2_9LVD**: External INT2~INT9 pin and LVD Interrupt Priority control. Definition as above.

BBh.1, BAh.1 **PP1H, PP1**: Port1 Pin Change Interrupt Priority control. Definition as above.

BBh.0, BAh.0 **PT3H, PT3**: Timer3 Interrupt Priority control. Definition as above.

6.3 Pin Interrupt and LVD interrupt

Pin Interrupts include INT0~INT9 and Port1 Change. INT0~INT9 and Port1 also have the Stop/Halt mode wake up capability. INT0 and INT1 are falling edge or low level triggered as the 8051 standard. INT2~INT9 is falling edge triggered and Port1 Change Interrupt is triggered by Port1 state change. LVD interrupt can be used to detect the V_{CC} voltage level and generate an interrupt.



Pin interrupt/Wake up & LVD interrupt

Note: Chip cannot enter Stop/Halt Mode if INTn pin is low and wakeup is enabled. (INTn=0 and EXn=1, n=0~9)

SFR 84h	Bit 7	Bit 6	Bit 5	Bit 4	Bit 3	Bit 2	Bit 1	Bit 0
INTEX	EX9	EX8	EX7	EX6	EX5	EX4	EX3	EX2
R/W	R/W	R/W	R/W	R/W	R/W	R/W	R/W	R/W
Reset	0	0	0	0	0	0	0	0

84h.7~0 **EX9~EX2:** External INT9~INT2 pin Interrupt enable and Stop/Halt mode wake up enable.
 0: Disable INTx pin Interrupt and Stop/Halt mode wake up
 1: Enable INTx pin Interrupt and Stop/Halt mode wake up, it can wake up CPU from Stop/Halt mode no matter EA is 0 or 1. (note: EXLVDIE must be 1 at the same time to generate INTx interrupt wake up)

SFR 85h	Bit 7	Bit 6	Bit 5	Bit 4	Bit 3	Bit 2	Bit 1	Bit 0
INTEXF	IE9	IE8	IE7	IE6	IE5	IE4	IE3	IE2
R/W	R/W	R/W	R/W	R/W	R/W	R/W	R/W	R/W
Reset	0	0	0	0	0	0	0	0

85h.7~0 **IE9~2:** External Interrupt INT9~INT2 edge flag.
 Set by H/W when an INTx pin falling edge is detected, no matter the EXx is 0 or 1.
 S/W Write 0 to clear interrupt flag, no automatic clear after the interrupt service routine.

SFR 88h	Bit 7	Bit 6	Bit 5	Bit 4	Bit 3	Bit 2	Bit 1	Bit 0
TCON	TF1	TR1	TF0	TR0	IE1	IT1	IE0	IT0
R/W	R/W	R/W	R/W	R/W	R/W	R/W	R/W	R/W
Reset	0	0	0	0	0	0	0	0

88h.3 **IE1:** External Interrupt 1 (INT1 pin) edge flag.
 Set by H/W when an INT1 pin falling edge is detected, no matter the EX1 is 0 or 1.
 It is cleared automatically when the program performs the interrupt service routine.

88h.2 **IT1:** External Interrupt 1 control bit
 0: Low level active (level triggered) for INT1 pin
 1: Falling edge active (edge triggered) for INT1 pin

88h.1 **IE0:** External Interrupt 0 (INT0 pin) edge flag
 Set by H/W when an INT0 pin falling edge is detected, no matter the EX0 is 0 or 1.
 It is cleared automatically when the program performs the interrupt service routine.

88h.0 **IT0:** External Interrupt 0 control bit
 0: Low level active (level triggered) for INT0 pin
 1: Falling edge active (edge triggered) for INT0 pin

SFR 95h	Bit 7	Bit 6	Bit 5	Bit 4	Bit 3	Bit 2	Bit 1	Bit 0
INTFLG	LVDIF	–	TKIF	ADIF	–	–	P1IF	TF3
R/W	R	–	R/W	R/W	–	–	R/W	R/W
Reset	–	–	0	0	–	–	0	0

95h.7 **LVDIF:** LVD interrupt flag
 Set by H/W, S/W can write 7Fh to INTFLG to clear this bit.

95h.1 **P1IF:** Port1 pin change interrupt flag
 Set by H/W when a Port1 pin state change is detected and its interrupt enable bit is set (P1WKUP).
 P1IE does not affect this flag's setting.
 It is cleared automatically when the program performs the interrupt service routine.
 S/W can write FDh to INTFLG to clear this bit. (**Note1**)

Note1: S/W can write 0 to clear a flag in the INTFLG, but writing 1 has no effect.

SFR 96h	Bit 7	Bit 6	Bit 5	Bit 4	Bit 3	Bit 2	Bit 1	Bit 0
P1WKUP	P1WKUP							
R/W	R/W							
Reset	0	0	0	0	0	0	0	0

96h.7~0 **P1WKUP**: P1.7~P1.0 pin individual Wake-up / Interrupt enable control

0: Disable

1: Enable

SFR A8h	Bit 7	Bit 6	Bit 5	Bit 4	Bit 3	Bit 2	Bit 1	Bit 0
IE	EA	–	ET2	ES	ET1	EX1	ET0	EX0
R/W	R/W	–	R/W	R/W	R/W	R/W	R/W	R/W
Reset	0	–	0	0	0	0	0	0

A8h.7 **EA**: Global interrupt enable control.

0: Disable all Interrupts.

1: Each interrupt is enabled or disabled by its individual interrupt control bit

A8h.2 **EX1**: External INT1 pin Interrupt enable and Stop/Halt mode wake up enable

0: Disable INT1 pin Interrupt and Stop/Halt mode wake up

1: Enable INT1 pin Interrupt and Stop/Halt mode wake up, it can wake up CPU from Stop/Halt mode no matter EA is 0 or 1.

A8h.0 **EX0**: External INT0 pin Interrupt enable and Stop/Halt mode wake up enable

0: Disable INT0 pin Interrupt and Stop/Halt mode wake up

1: Enable INT0 pin Interrupt and Stop/Halt mode wake up, it can wake up CPU from Stop/Halt mode no matter EA is 0 or 1.

SFR A9h	Bit 7	Bit 6	Bit 5	Bit 4	Bit 3	Bit 2	Bit 1	Bit 0
INTE1	PWMIE	I2CE	ES2	SPIE	ADTKIE	EXLVDIE	P1IE	TM3IE
R/W	R/W	R/W	R/W	R/W	R/W	R/W	R/W	R/W
Reset	0	0	0	0	0	0	0	0

A9h.2 **EXLVDIE**: External INT2~INT9 and LVD interrupt enable and Stop/Halt mode wake up enable

0: Disable INT2~INT9 pin Interrupt and Stop/Halt mode wake up

Disable LVD interrupt

1: Enable INT2~INT9 pin Interrupt and Stop/Halt mode wake up, it can wake up CPU from Stop/Halt mode no matter EA is 0 or 1.

Enable LVD interrupt.

SFR BFh	Bit 7	Bit 6	Bit 5	Bit 4	Bit 3	Bit 2	Bit 1	Bit 0
LVDS	LVDIE	LVDO	–	–	LVDS			ENVPULL
R/W	R/W	R	–	–	R/W	R/W	R/W	R/W
Reset	0	0	–	–	0	0	0	0

BFh.7 **LVDIE:** Low Voltage Detect interrupt enable

0: Disable

1: Enable (note: EXLVDIE must be 1 at the same time to generate LVD interrupt)

BFh.3~1 **LVDS:** Low Voltage Detect select

000: Set LVD at 2.2V

001: Set LVD at 2.42V

010: Set LVD at 2.64V

011: Set LVD at 2.86V

100: Set LVD at 3.08V

101: Set LVD at 3.32V

110: Set LVD at 3.56V

111: Set LVD at 3.8V

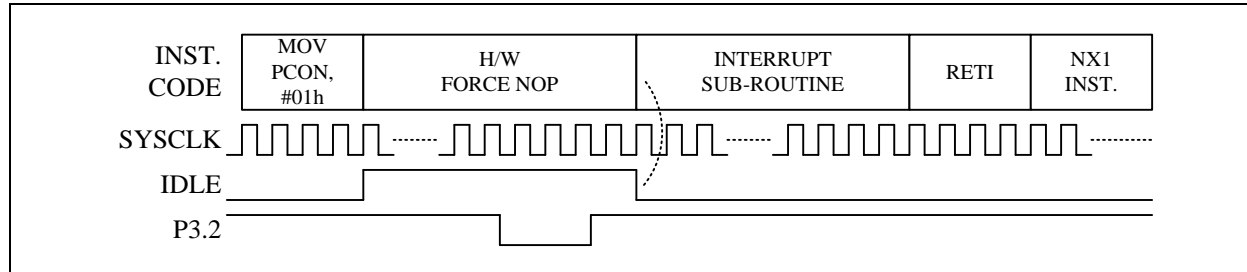
BFh. 0 **ENVPULL:** Internal VPULL power control Before entering Stop/Halt mode (PDOWN), it must be set ENVPULL (ENVPULL = 1) and clear ENVPULL (ENVPULL = 0) after Stop/Halt mode wakeup.

0: Disable

1: Enable

6.4 Idle mode Wake up and Interrupt

Idle mode is waked up by enabled Interrupts, which means individual interrupt enable bit (ex: EX0) and EA bit must be both set to 1 to establish Idle mode wake up capability. All enabled Interrupts (Pins, Timers, ADC, TK, SPI and UARTs) can wake up CPU from Idle mode. Upon Idle wake-up, Interrupt service routine is entered immediately. “The first instruction behind IDL (PCON.0) setting” is executed after interrupt service routine return.



EA=EX0=1, Idle mode wake-up and Interrupt by P3.2 (INT0)

SFR 87h	Bit 7	Bit 6	Bit 5	Bit 4	Bit 3	Bit 2	Bit 1	Bit 0
PCON	SMOD	–	–	–	GF1	GF0	PD	IDL
R/W	R/W	–	–	–	R/W	R/W	R/W	R/W
Reset	0	–	–	–	0	0	0	0

87h.1 **PD:** Power down control bit, set 1 to enter STOP/Halt mode.

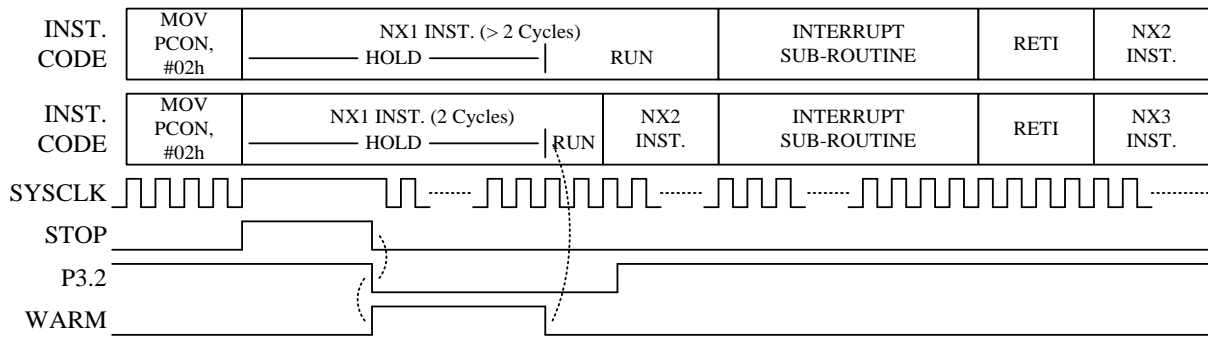
87h.0 **IDL:** Idle mode control bit, set 1 to enter IDLE mode.

6.5 Stop/Halt mode Wake up and Interrupt

Stop/Halt mode wake up is simple, as long as the individual pin interrupt enable bit (ex: EX0) is set, the pin wake up capability is asserted. Set EX0/EX1/EXLVDIE can enable INT0/INT1/INT2 pins’ Stop/Halt mode wake up capability. Set P1WKUP bit 7~0 can enable P1.7~P1.0’s Stop/Halt mode wake up capability. Upon Stop/Halt wake up, “the first instruction behind PD setting (PCON.1)” is executed immediately before Interrupt service. Interrupt entry requires EA=1 (P1WKUP also needs P1IE=1) and trigger state of the pin staying sufficiently long to be observed by the System clock. This feature allows CPU to enter or not enter Interrupt sub-routine after Stop/Halt mode wake up.

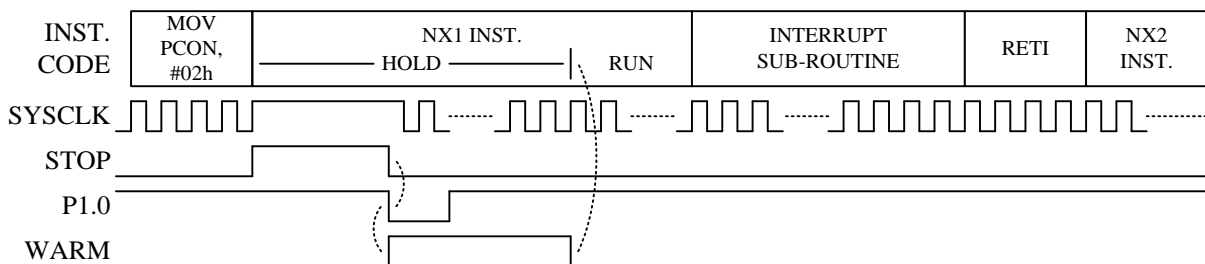
Note: It is recommended to place the NX1/NX2 with NOP Instruction in figures below.

Note: If the INTn pin is low and this wakeup function is enabled, the chip cannot enter stop/suspend mode. (INTn=0 and Exn=1, n=0~9)



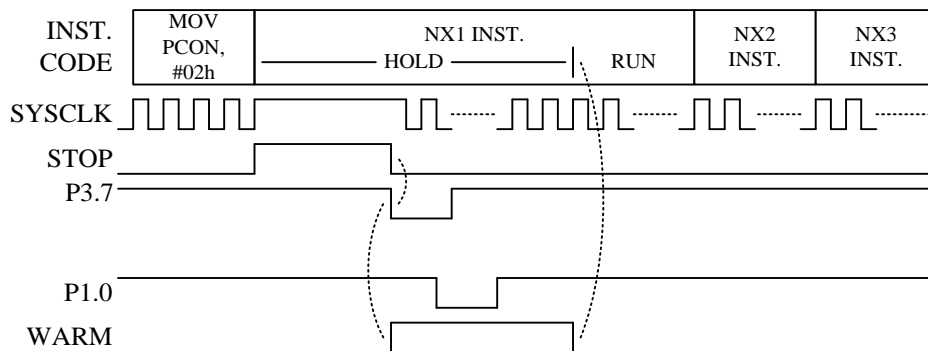
EA=EX0=1

P3.2 (INT0) is sampled after warm-up, Stop mode wake-up and Interrupt.



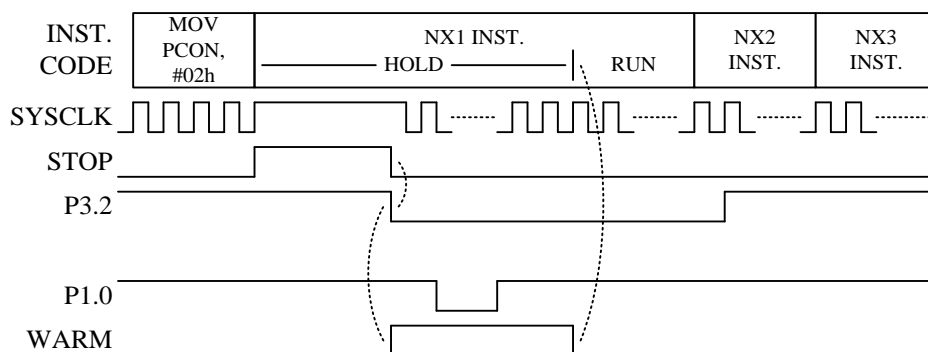
EA=P1IE=P1WKUP=1

P1.0 change (not need clock sample), Stop mode wake-up and Interrupt.



EA=EX0=P1WKUP=1, P1IE=0

Stop mode wake-up but not Interrupt, P3.2/P3.7 pulse too narrow.



EX0=P1WKUP=1=P1IE=1, EA=0
Stop mode wake-up but not Interrupt.

7. I/O Ports

The Chip has total 26 multi-function I/O pins. All I/O pins follow the standard 8051 “Read-Modify-Write” feature. The instructions that read the SFR rather than the Pin State are the ones that read a port or port bit value, possibly change it, and then rewrite it to the SFR (ex: ANL P1, A; INC P2; CPL P3.0).

7.1 Port1 & Port2 & Port 3

These pins can operate in four different modes as below.

Mode	Port1, Port2, Port3 pin function		Px.n SFR data	Pin State	Resistor Pull-up	Digital Input
	P3.0~P3.2	Others				
Mode 0	Pseudo Open Drain	Open Drain	0	Drive Low	N	N
			1	Pull-up	Y	Y
Mode 1	Pseudo Open Drain	Open Drain	0	Drive Low	N	N
			1	Hi-Z	N	Y
Mode 2	CMOS Output		0	Drive Low	N	N
			1	Drive High	N	N
Mode 3	Analog input for ADC, digital input buffer is disabled		X (don't care)	–	N	N

Port1, Port2, Port3 I/O Pin Function Table

If Port1, Port2 or Port3 pin is used for Schmitt-trigger input, S/W must set the I/O pin to Mode0 or Mode1 and set the corresponding Port Data SFR to 1 to disable the pin’s output driving circuitry.

Beside I/O port function, each Port1, Port2 and Port3 pin has one or more alternative functions, such as LED, ADC and Touch Key. Most of the functions are activated by setting the individual pin mode control SFR to Mode3. Port1/Port3 pins have standard 8051 auxiliary definition such as INT0/1, T0/1/2, or RXD/TXD. These pin functions need to set the pin mode SFR to Mode0 or Mode1 and keep the P1.n/P3.n SFR at 1.

Pin Name	8051	Wake-up	CKO	ADC	TK	LED BiD matrix	LED Dot matrix	others
P1.7	TXD2	Y			TK10			MISO
P1.6		Y			TK9			PWM2
P1.5		Y		AD9	TK14			
P1.4		Y	CKO	AD8	TK8			
P1.3		Y		AD7	TK7			PWM1
P1.2		Y		AD6	TK6			PWM0
P1.1	T2EX	Y		AD5	TK5			
P1.0	T2	Y	T2O	AD4	TK4			

Port1 multi-function Table

Pin Name	8051	Wake-up	CKO	ADC	TK	LED BiD matrix	LED Dot matrix	others
P3.7	INT2	Y			TK15	LEDS2	LED6	RSTn
P3.6	RXD2	Y			TK11	LEDS5		SCK
P3.5	T1	Y			TK12	LEDS4	LED8	MOSI
P3.4	T0	Y	T0O		TK13	LEDS3	LED7	SS
P3.3	INT1	Y		AD0	TK0			
P3.2	INT0	Y		AD1	TK1			VBGO
P3.1	TXD	Y		AD2	TK2			SDA
P3.0	RXD	Y		AD3	TK3			SCL

Port3 multi-function Table

Pin Name	8051	Wake-up	CKO	ADC	TK	LED BiD matrix	LED Dot matrix	others
P2.1						LEDS1	LED5	XO
P2.0						LEDS0	LED4	XI

P2 multi-function Table

The necessary SFR setting for Port1/ Port2/Port3 pin's alternative function is list below.

Alternative Function	Mode	Px.n SFR data	Pin State	Other necessary SFR setting
T0, T1, T2, T2EX, INT0, INT1, INT2	0	1	Input with Pull-up	
	1	1	Input	
RXD, TXD	0	1	Input with Pull-up / Pseudo Open Drain Output	
	1	1	Input / Pseudo Open Drain Output	
RXD2, TXD2	0	1	Input with Pull-up / Open Drain Output	
	1	1	Input / Open Drain Output	
T00, T20, CKO	0	X	Clock Open Drain Output with Pull-up	PINMOD
	1	X	Clock Open Drain Output	
	2	X	Clock Output (CMOS Push-Pull)	
VBGO	X	X	Bandgap Voltage output	VBGOUT VBGEN
LEDS0~LEDS5 LEDC0~LEDC3	X	X	LED BiD matrix mode Output	LEDCON
LED0~LED8	X	X	LED Dot matrix mode Output	LEDCON3
TK0~TK23	3	X	Touch Key (Hi-Z)	TKCHS ATKCH2 ATKCH1 ATKCH0
AD0~AD14	3	X	ADC Channel	
PWM0~PWM2	0	X	PWM Open Drain Output with Pull-up	PWMOE
	1	X	PWM Open Drain Output	
	2	X	PWM Output (CMOS Push-Pull)	
XI, XO	0	1	Crystal oscillation	CLKCON
I ² C Master SCL	0	X	I ² C Clock Output (Open Drain Output, Pull-up)	
	1	X	I ² C Clock Output (CMOS Push-Pull)	
I ² C Slave SCL	1	1	I ² C Clock Input (Hi-Z)	
I ² C Master/Slaver SDA	0	1	I ² C DATA (Pull-up)	
SPI Master Mode MISO	1	1	SPI Data Input	SPCON
SPI Master Mode SCK, MOSI	2	X	SPI Clock/Data Output (CMOS Push-Pull)	
SPI Slave Mode MISO	2	X	SPI Data Output (CMOS Push-Pull)	
SPI Slave Mode SCK, MOSI	1	1	SPI Clock/Data Input	
SS	1	1	SPI Chip Selection	

Mode Setting for Port1, Port2, Port3 Alternative Function

or tables above, a “**CMOS Output**” pin means it can sink and drive at least 4 mA current. It is not recommended to use such pin as input function.

An “**Open Drain**” pin means it can sink at least 4 mA current but only drive a small current (<20 μA). It can be used as input or output function and typically needs an external pull up resistor.

An 8051 standard pin is a “**Pseudo Open Drain**” pin. It can sink at least 4 mA current when output is at low level, and drives at least 4 mA current for 1~2 clock cycle when output transits from low to high, then keeps driving a small current (<20 μA) to maintain the pin at high level. It can be used as input or output function.

Note2: for the necessary SFR setting above, LCD/LED pin has the highest priority. Therefore, if a pin is not used for Segment (ex: pin is I/O, ADC, TK, and SPI...), S/W must disable the LCD/LED function.

SFR 90h	Bit 7	Bit 6	Bit 5	Bit 4	Bit 3	Bit 2	Bit 1	Bit 0
P1	P1.7	P1.6	P1.5	P1.4	P1.3	P1.2	P1.1	P1.0
R/W	R/W	R/W	R/W	R/W	R/W	R/W	R/W	R/W
Reset	1	1	1	1	1	1	1	1

90h.7~0 **P1:** Port1 data

SFR A0h	Bit 7	Bit 6	Bit 5	Bit 4	Bit 3	Bit 2	Bit 1	Bit 0
P2	P2.7	P2.6	P2.5	P2.4	P2.3	P2.2	P2.1	P2.0
R/W	R/W	R/W	R/W	R/W	R/W	R/W	R/W	R/W
Reset	0	0	0	0	0	0	1	1

A0h.1~0 **P2.7~P2.0:** P2.7~P2.0 data

SFR B0h	Bit 7	Bit 6	Bit 5	Bit 4	Bit 3	Bit 2	Bit 1	Bit 0
P3	P3.7	P3.6	P3.5	P3.4	P3.3	P3.2	P3.1	P3.0
R/W	R/W	R/W	R/W	R/W	R/W	R/W	R/W	R/W
Reset	1	1	1	1	1	1	1	1

B0h.7~0 **P3:** Port1 data

SFR D8h	Bit 7	Bit 6	Bit 5	Bit 4	Bit 3	Bit 2	Bit 1	Bit 0
CLKCON	SCKTYPE	FCKTYPE	STPSCK	STPPCK	STPFCK	SELFCK	CLKPSC	
R/W	R/W	R/W	R/W	R/W	R/W	R/W	R/W	
Reset	0	0	1	0	0	0	1	1

D8h.7 **SCKTYPE:** Set 1 to enable P2.0 and P2.1 pin's crystal oscillation mode

D8h.6 **FCKTYPE:** Set 1 to enable P2.0 and P2.1 pin's crystal oscillation mode

SFR A2h	Bit 7	Bit 6	Bit 5	Bit 4	Bit 3	Bit 2	Bit 1	Bit 0
P1MODL	P1MOD3		P1MOD2		P1MOD1		P1MOD0	
R/W	R/W		R/W		R/W		R/W	
Reset	0	1	0	1	0	1	0	1

- A2h.7~6 **P1MOD3**: P1.3 pin control
 00: Mode0
 01: Mode1
 10: Mode2
 11: Mode3, P1.3 is ADC input
- A2h.5~4 **P1MOD2**: P1.2 pin control
 00: Mode0
 01: Mode1
 10: Mode2
 11: Mode3, P1.2 is ADC input
- A2h.3~2 **P1MOD1**: P1.1 pin control
 00: Mode0
 01: Mode1
 10: Mode2
 11: Mode3, P1.1 is ADC input
- A2h.1~0 **P1MOD0**: P1.0 pin control
 00: Mode0
 01: Mode1
 10: Mode2
 11: Mode3, P1.0 is ADC input

SFR A3h	Bit 7	Bit 6	Bit 5	Bit 4	Bit 3	Bit 2	Bit 1	Bit 0
P1MODH	P1MOD7		P1MOD6		P1MOD5		P1MOD4	
R/W	R/W		R/W		R/W		R/W	
Reset	0	1	0	1	0	1	0	1

- A3h.7~6 **P1MOD7**: P1.7 pin control
 00: Mode0
 01: Mode1
 10: Mode2
 11: Mode3,
- A3h.5~4 **P1MOD6**: P1.6 pin control
 00: Mode0
 01: Mode1
 10: Mode2
 11: Mode3,
- A3h.3~2 **P1MOD5**: P1.5 pin control.
 00: Mode0
 01: Mode1
 10: Mode2
 11: Mode3, P1.5 is ADC input
- A3h.1~0 **P1MOD4**: P1.4 pin control.
 00: Mode0
 01: Mode1
 10: Mode2
 11: Mode3, P1.4 is ADC input

SFR A4h	Bit 7	Bit 6	Bit 5	Bit 4	Bit 3	Bit 2	Bit 1	Bit 0
P3MODL	P3MOD3		P3MOD2		P3MOD1		P3MOD0	
R/W	R/W		R/W		R/W		R/W	
Reset	0	1	0	1	0	1	0	1

- A4h.7~6 **P3MOD3**: P3.3 pin control
 00: Mode0
 01: Mode1
 10: Mode2
 11: Mode3, P3.3 is ADC input
- A4h.5~4 **P3MOD2**: P3.2 pin control
 00: Mode0
 01: Mode1
 10: Mode2
 11: Mode3, P3.2 is ADC input
- A4h.3~2 **P3MOD1**: P3.1 pin control.
 00: Mode0
 01: Mode1
 10: Mode2
 11: Mode3, P3.1 is ADC input
- A4h.1~0 **P3MOD0**: P3.0 pin control.
 00: Mode0
 01: Mode1
 10: Mode2
 11: Mode3, P3.0 is ADC input

SFR A5h	Bit 7	Bit 6	Bit 5	Bit 4	Bit 3	Bit 2	Bit 1	Bit 0
P3MODH	P3MOD7		P3MOD6		P3MOD5		P3MOD4	
R/W	R/W		R/W		R/W		R/W	
Reset	0	0	0	1	0	1	0	1

- A5h.7~6 **P3MOD7**: P3.7 pin control
 00: Mode0
 01: Mode1
 10: Mode2
 11: Mode3
- A5h.5~4 **P3MOD6**: P3.6 pin control
 00: Mode0
 01: Mode1
 10: Mode2
 11: Mode3
- A5h.3~2 **P3MOD5**: P3.5 pin control
 00: Mode0
 01: Mode1
 10: Mode2
 11: Mode3
- A5h.1~0 **P3MOD4**: P3.4 pin control
 00: Mode0
 01: Mode1
 10: Mode2
 11: Mode3

SFR 93h	Bit 7	Bit 6	Bit 5	Bit 4	Bit 3	Bit 2	Bit 1	Bit 0
P2MOD	–	–	–	–	P2MOD1		P2MOD0	
R/W	–	–	–	–	R/W		R/W	
Reset	–	–	–	–	0	1	0	1

93h.3~2 **P2MOD1**: P2.1 pin control

- 00: Mode0
- 01: Mode1
- 10: Mode2
- 11: not defined

93h.1~0 **P2MOD0**: P2.0 pin control

- 00: Mode0
- 01: Mode1
- 10: Mode2
- 11: not defined

SFR A6h	Bit 7	Bit 6	Bit 5	Bit 4	Bit 3	Bit 2	Bit 1	Bit 0
PINMOD	–	I2CSEL	TCOE	T2OE	–	–	–	T0OE
R/W	–	R/W	R/W	R/W	–	–	–	R/W
Reset	–	0	0	0	–	–	–	0

A6h.5 **TCOE**: System clock signal output (CKO) control

- 0: Disable "System clock divided by 2" output to P1.4 pin
- 1: Enable "System clock divided by 2" output to P1.4 pin

A6h.4 **T2OE**: Timer2 signal output (T2O) control

- 0: Disable "Timer2 overflow divided by 2" output to P1.0 pin
- 1: Enable "Timer2 overflow divided by 2" output to P1.0 pin

A6h.0 **T0OE**: Timer0 signal output (T0O) control

- 0: Disable "Timer0 overflow divided by 64" output to P3.4 pin
- 1: Enable "Timer0 overflow divided by 64" output to P3.4 pin

SFR B1h	Bit 7	Bit 6	Bit 5	Bit 4	Bit 3	Bit 2	Bit 1	Bit 0
LEDCON	LEDEN		LEDPSC		LEDHOLD	LEDBRIT		
R/W	R/W		R/W		R/W	R/W		
Reset	0	0	0	0	0	1	0	0

B1h.7~6 **LEDEN**: LED BiD matrix mode

- 00: LED BiD matrix mode disable
- 01: LED 1/8 duty (COM0~3, SEG0~3), the LED pins' state will be controlled automatically
- 10: LED 1/9 duty (COM0~3, SEG0~4), the LED pins' state will be controlled automatically
- 11: LED 1/10 duty (COM0~3, SEG0~5), the LED pins' state will be controlled automatically

SFR BCh	Bit 7	Bit 6	Bit 5	Bit 4	Bit 3	Bit 2	Bit 1	Bit 0
SPCON	SPEN	MSTR	CPOL	CPHA	SSDIS	LSBF	SPCR	
R/W	R/W	R/W	R/W	R/W	R/W	R/W	R/W	
Reset	0	0	0	0	0	0	0	0

BCh.7 **SPEN**: SPI enable

- 0: SPI disable
- 1: SPI enable

BCh.3 **SSDIS**: SS pin disable

- 0: Enable SS pin
- 1: Disable SS pin

SFR F7h	Bit 7	Bit 6	Bit 5	Bit 4	Bit 3	Bit 2	Bit 1	Bit 0
AUX2	WDTE		PWRSVAV	VBGOUT	DIV32	IAPTE		MULDIV16
R/W	R/W	R/W	R/W	R/W	R/W	R/W		R/W
Reset	0	0	0	0	0	0	0	0

F7h.4 **VBGOUT:** Bandgap voltage output control

0: Disable

1: Bandgap voltage output to P3.2 pin, The additional condition VBGEN=1 (AEh.1) should be set.

SFR 9Eh	Bit 7	Bit 6	Bit 5	Bit 4	Bit 3	Bit 2	Bit 1	Bit 0
PWMOE	PWM1IE	PWM0IE	–	–	–	PWM2OE	PWM1OE	PWM0OE
R/W	R/W	R/W	–	–	–	R/W	R/W	R/W
Reset	0	0	–	–	–	0	0	0

9Eh.2 **PWM2OE:** PWM2 control

0: PWM2 disable

1: PWM2 enable and signal output to P1.6

9Eh.1 **PWM1OE:** PWM1 control

0: PWM1 disable

1: PWM1 enable and signal output to P1.3

9Eh.0 **PWM0OE:** PWM0 control

0: PWM0 disable

1: PWM0 enable and signal output to P1.2

7.2 Port0

These pins are shared with TK, ADC and LCD/LED. If a Port0 is defined as I/O pin, it can be used as CMOS push-pull output or Schmitt-trigger input. The pin's pull up function is enable while SFR bit P0OE.n=0 and P0.n=1.

Port0 pin function	P0OE.n	P0.n SFR data	Pin State	Resistor Pull-up	Digital Input
Input	0	0	Hi-Z	N	Y
	0	1	Pull-up	Y	Y
CMOS Output	1	0	Drive Low	N	N
	1	1	Drive High	N	N

Port0 Pin Function Table

Pin Name	Wake-up	ADC	TK	LCD	LED BiD	LED Dot
P0.7		AD12	TK19	LCDC7		
P0.6		AD14	TK18	LCDC6		
P0.5		AD13	TK17	LCDC5		
P0.4			TK16	LCDC4		
P0.3			CLD	LCDC3	LEDC3	LED3
P0.2				LCDC2	LEDC2	LED2
P0.1				LCDC1	LEDC1	LED1
P0.0				LCDC0	LEDC0	LED0

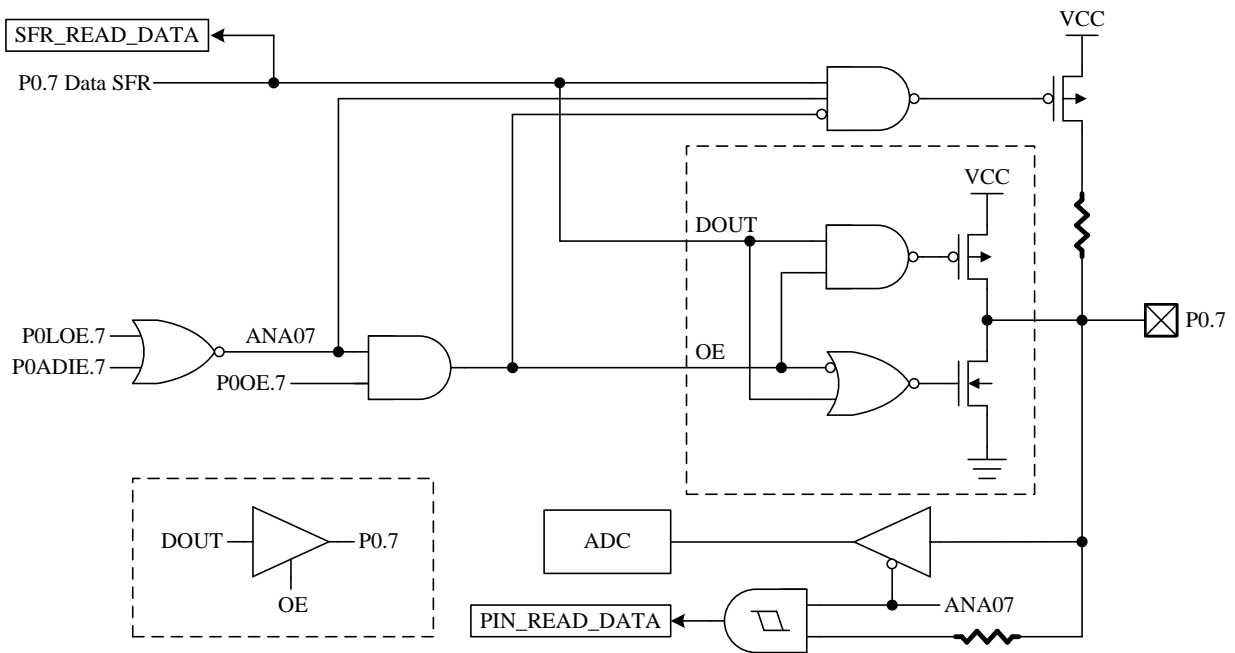
Port0 multi-function Table

The necessary SFR setting for Port0 pin's alternative function is list below.

Alternative Function	PxOE.n	Px.n SFR data	Pin State	other necessary SFR setting
LEDC0~ LEDC3	X	X	LED Bdi matrix mode Output	LEDCON
LED0~ LED3	X	X	LED Dot matrix mode Output	LEDCON3
LCDC0~ LCDC7	X	X	1/2 Bias Output	P0LOE
AD12~AD14	X	X	ADC Channel	P0ADIE
CLD	0	0	Touch Key Capacitor Connection	
TK16~TK19	0	0	Touch Key (CMOS output high)	TKCHS

Mode Setting for Port0 Alternative Function Table

Note: P0LOE and P0ADIE have higher priority than P0OE.


P0.7 Pin Structure

SFR 80h	Bit 7	Bit 6	Bit 5	Bit 4	Bit 3	Bit 2	Bit 1	Bit 0
P0	P0.7	P0.6	P0.5	P0.4	P0.3	P0.2	P0.1	P0.0
R/W	R/W	R/W	R/W	R/W	R/W	R/W	R/W	R/W
Reset	0	0	0	0	0	0	0	0

80h.7~0 **P0**: Port0 data, also controls the P0.n pin's pull-up function. If the P0.n SFR data is "1" and the corresponding P0OE.n = 0 (input mode), the pull-up is enabled.

SFR 91h	Bit 7	Bit 6	Bit 5	Bit 4	Bit 3	Bit 2	Bit 1	Bit 0
P0OE	P0OE							
R/W	R/W							
Reset	0	0	0	0	0	0	0	0

91h.7~0 **P0OE**: Port0 CMOS Push-Pull output enable control
 0: Disable
 1: Enable

SFR 92h	Bit 7	Bit 6	Bit 5	Bit 4	Bit 3	Bit 2	Bit 1	Bit 0
P0LOE	P0LOE							
R/W	R/W							
Reset	0	0	0	0	0	0	0	0

92h.7~0 **P0LOE**: Port0 LCD 1/2 bias output enable control
 0: Disable
 1: Enable

SFR AFh	Bit 7	Bit 6	Bit 5	Bit 4	Bit 3	Bit 2	Bit 1	Bit 0
P0ADIE	P0ADIE			–	–	–	–	–
R/W	R/W			–	–	–	–	–
Reset	0	0	0	–	–	–	–	–

AFh.7~5 **P0ADIE**: ADC channel input Enable

000: P0.7~P0.5 are digital input

1xx: P0.7 is ADC input

x1x: P0.6 is ADC input

xx1: P0.5 is ADC input

SFR B1h	Bit 7	Bit 6	Bit 5	Bit 4	Bit 3	Bit 2	Bit 1	Bit 0
LEDCON	LEDEN		LEDPSC		LEDHOLD	LEDBRIT		
R/W	R/W		R/W		R/W	R/W		
Reset	0	0	0	0	0	1	0	0

B1h.7~6 **LEDEN**: LED BiD matrix mode Enable

00: LED BiD matrix mode disable

01: LED 1/8 duty (COM0~3, SEG0~3), the LED pins' state will be controlled automatically

10: LED 1/9 duty (COM0~3, SEG0~4), the LED pins' state will be controlled automatically

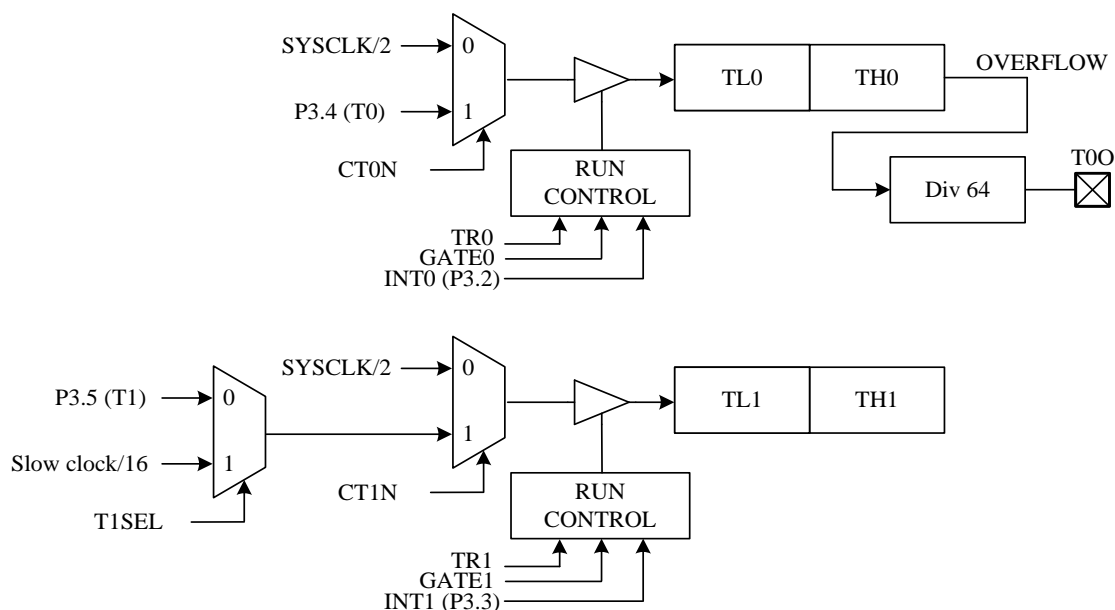
11: LED 1/10 duty (COM0~3, SEG0~5), the LED pins' state will be controlled automatically

8. Timers

Timer0, Timer1 and Timer2 are provided as standard 8051 compatible timer/counter. Compare to the traditional 12T 8051, the Chip's Timer0/1/2 use 2 System clock cycle as the time base unit. That is, in timer mode, these timers increase at every “2 System clock” rate; in counter mode, T0/T1/T2 pin input pulse must be wider than 2 System clock to be seen by this device. In addition to the standard 8051 timers function. The T0O pin can output the “Timer0 overflow divided by 64” signal, and the T2O pin can output the “Timer2 overflow divided by 2” signal. Timer3 is provided for a real-time clock count, when its time base is SXT.

8.1 Timer0 / Timer1

TCON and TMOD are used to set the mode of operation and to control the running and interrupt generation of the Timer0/1, with the timer/counter values stored in two pairs of 8-bit registers (TL0, TH0, and TL1, TH1).



Timer0 and Timer1 Structure

SFR 88h	Bit 7	Bit 6	Bit 5	Bit 4	Bit 3	Bit 2	Bit 1	Bit 0
TCON	TF1	TR1	TF0	TR0	IE1	IT1	IE0	IT0
R/W	R/W	R/W	R/W	R/W	R/W	R/W	R/W	R/W
Reset	0	0	0	0	0	0	0	0

- 88h.7 **TF1:** Timer1 overflow flag
Set by H/W when Timer/Counter 1 overflows
Cleared by H/W when CPU vectors into the interrupt service routine.
- 88h.6 **TR1:** Timer1 run control
0: Timer1 stops
1: Timer1 runs
- 88h.5 **TF0:** Timer0 overflow flag
Set by H/W when Timer/Counter 0 overflows
Cleared by H/W when CPU vectors into the interrupt service routine.
- 88h.4 **TR0:** Timer0 run control
0: Timer0 stops
1: Timer0 runs

SFR 89h	Bit 7	Bit 6	Bit 5	Bit 4	Bit 3	Bit 2	Bit 1	Bit 0
TMOD	GATE1	CT1N	TMOD1		GATE0	CT0N	TMOD0	
R/W	R/W	R/W	R/W		R/W	R/W	R/W	
Reset	0	0	0	0	0	0	0	0

- 89h.7 **GATE1:** Timer1 gating control bit
 0: Timer1 enable when TR1 bit is set
 1: Timer1 enable only while the INT1 pin is high and TR1 bit is set
- 89h.6 **CT1N:** Timer1 Counter/Timer select bit
 0: Timer mode, Timer1 data increases at 2 System clock cycle rate
 1: Counter mode, Timer1 data increases at T1 pin's negative edge
- 89h.5~4 **TMOD1:** Timer1 mode select
 00: 8-bit timer/counter (TH1) and 5-bit prescaler (TL1)
 01: 16-bit timer/counter
 10: 8-bit auto-reload timer/counter (TL1). Reloaded from TH1 at overflow.
 11: Timer1 stops
- 89h.3 **GATE0:** Timer0 gating control bit
 0: Timer0 enable when TR0 bit is set
 1: Timer0 enable only while the INT0 pin is high and TR0 bit is set
- 89h.2 **CT0N:** Timer0 Counter/Timer select bit
 0: Timer mode, Timer0 data increases at 2 System clock cycle rate
 1: Counter mode, Timer0 data increases at T0 pin's negative edge
- 89h.1~0 **TMOD0:** Timer0 mode select
 00: 8-bit timer/counter (TH0) and 5-bit prescaler (TL0)
 01: 16-bit timer/counter
 10: 8-bit auto-reload timer/counter (TL0). Reloaded from TH0 at overflow.
 11: TL0 is an 8-bit timer/counter. TH0 is an 8-bit timer/counter using Timer1's TR1 and TF1 bits.

SFR 8Ah	Bit 7	Bit 6	Bit 5	Bit 4	Bit 3	Bit 2	Bit 1	Bit 0
TL0	TL0							
R/W	R/W							
Reset	0	0	0	0	0	0	0	0

8Ah.7~0 **TL0:** Timer0 data low byte

SFR 8Bh	Bit 7	Bit 6	Bit 5	Bit 4	Bit 3	Bit 2	Bit 1	Bit 0
TL1	TL1							
R/W	R/W							
Reset	0	0	0	0	0	0	0	0

8Bh.7~0 **TL1:** Timer1 data low byte

SFR 8Ch	Bit 7	Bit 6	Bit 5	Bit 4	Bit 3	Bit 2	Bit 1	Bit 0
TH0	TH0							
R/W	R/W							
Reset	0	0	0	0	0	0	0	0

8Ch.7~0 **TH0:** Timer0 data high byte

SFR 8Dh	Bit 7	Bit 6	Bit 5	Bit 4	Bit 3	Bit 2	Bit 1	Bit 0
TH1	TH1							
R/W	R/W							
Reset	0	0	0	0	0	0	0	0

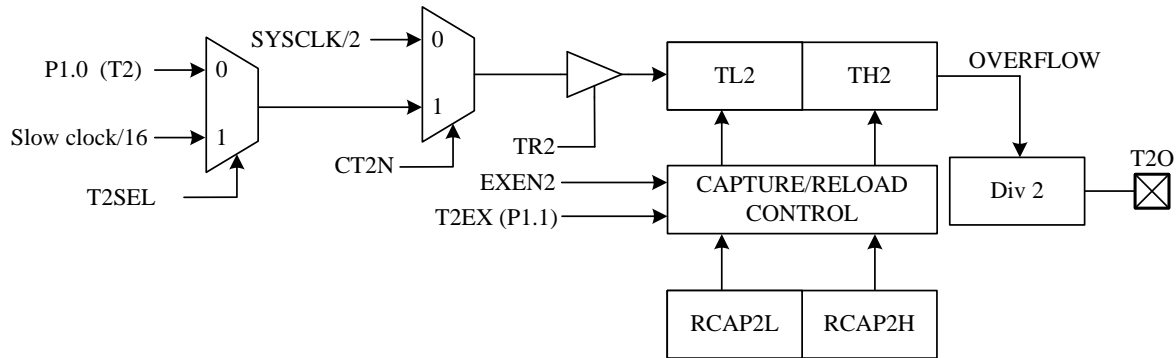
8Dh.7~0 **TH1:** Timer1 data high byte

Note: See also Chapter 6 for more information on Timer0/1 interrupt enable and priority.

Note: See also Chapter 7 for details on T00 pin output settings.

8.2 Timer2

Timer2 is controlled through the TCON2 register with the low and high bytes of Timer/Counter2 stored in TL2 and TH2 and the low and high bytes of the Timer2 reload/capture registers stored in RCAP2L and RCAP2H.



Timer2 Structure

SFR C8h	Bit 7	Bit 6	Bit 5	Bit 4	Bit 3	Bit 2	Bit 1	Bit 0
T2CON	TF2	EXF2	RCLK	TCLK	EXEN2	TR2	CT2N	CPRL2N
R/W	R/W	R/W	R/W	R/W	R/W	R/W	R/W	R/W
Reset	0	0	0	0	0	0	0	0

- C8h.7 **TF2:** Timer2 overflow flag
Set by H/W when Timer/Counter 2 overflows unless RCLK=1 or TCLK=1. This bit must be cleared by S/W.
- C8h.6 **EXF2:** T2EX interrupt pin falling edge flag
Set when a capture or a reload is caused by a negative transition on T2EX pin if EXEN2=1. This bit must be cleared by S/W.
- C8h.5 **RCLK:** UART receive clock control bit
0: Use Timer1 overflow as receive clock for serial port in mode 1 or 3
1: Use Timer2 overflow as receive clock for serial port in mode 1 or 3
- C8h.4 **TCLK:** UART transmit clock control bit
0: Use Timer1 overflow as transmit clock for serial port in mode 1 or 3
1: Use Timer2 overflow as transmit clock for serial port in mode 1 or 3
- C8h.3 **EXEN2:** T2EX pin enable
0: T2EX pin disable
1: T2EX pin enable, it cause a capture or reload when a negative transition on T2EX pin is detected if RCLK=TCLK=0
- C8h.2 **TR2:** Timer2 run control
0: Timer2 stops
1: Timer2 runs
- C8h.1 **CT2N:** Timer2 Counter/Timer select bit
0: Timer mode, Timer2 data increases at 2 System clock cycle rate
1: Counter mode, Timer2 data increases at T2 pin's negative edge
- C8h.0 **CPRL2N:** Timer2 Capture/Reload control bit
0: Reload mode, auto-reload on Timer2 overflows or negative transitions on T2EX pin if EXEN2=1.
1: Capture mode, capture on negative transitions on T2EX pin if EXEN2=1.
If RCLK=1 or TCLK=1, CPRL2N is ignored and timer is forced to auto-reload on Timer2 overflow.

SFR CAh	Bit 7	Bit 6	Bit 5	Bit 4	Bit 3	Bit 2	Bit 1	Bit 0
RCP2L	RCP2L							
R/W	R/W							
Reset	0	0	0	0	0	0	0	0

CAh.7~0 **RCP2L**: Timer2 reload/capture data low byte

SFR CBh	Bit 7	Bit 6	Bit 5	Bit 4	Bit 3	Bit 2	Bit 1	Bit 0
RCP2H	RCP2H							
R/W	R/W							
Reset	0	0	0	0	0	0	0	0

CBh.7~0 **RCP2H**: Timer2 reload/capture data high byte

SFR CCh	Bit 7	Bit 6	Bit 5	Bit 4	Bit 3	Bit 2	Bit 1	Bit 0
TL2	TL2							
R/W	R/W							
Reset	0	0	0	0	0	0	0	0

CCh.7~0 **TL2**: Timer2 data low byte

SFR CDh	Bit 7	Bit 6	Bit 5	Bit 4	Bit 3	Bit 2	Bit 1	Bit 0
TH2	TH2							
R/W	R/W							
Reset	0	0	0	0	0	0	0	0

CDh.7~0 **TH2**: Timer2 data high byte

SFR F8h	Bit 7	Bit 6	Bit 5	Bit 4	Bit 3	Bit 2	Bit 1	Bit 0
AUX1	CLRWDT	CLRTM3	TKSOC	ADSOC	LVRPD	T2SEL	T1SEL	DPSEL
R/W	R/W	R/W	R/W	R/W	R/W	R/W	R/W	R/W
Reset	0	0	0	0	0	0	0	0

F8h.2 **T2SEL**: Timer2 counter mode (CT2N=1) input select
 0: P1.0 (T2) pin (8051standard)
 1: Slow clock divide by 16 (SLOWCLK/16)

F8h.1 **T1SEL**: Timer1 counter mode (CT1N=1) input select
 0: P3.5 (T1) pin (8051 standard)
 1: Slow clock divide by 16 (SLOWCLK/16)

Note: See also Chapter 6 for more information on Timer2 interrupt enable and priority.

Note: See also Chapter 7 for details on T2O pin output settings.

8.3 Timer3

Timer3 works as a time-base counter, which generates interrupts periodically. It generates an interrupt flag (TF3) with the clock divided by 32768, 16384, 8192, or 128 depending on the TM3PSC SFR. The Timer3 clock source is Slow clock (SRC or SXT). This is ideal for real-time-clock (RTC) functionality when the clock source is SXT.

SFR 94h	Bit 7	Bit 6	Bit 5	Bit 4	Bit 3	Bit 2	Bit 1	Bit 0
OPTION	UART1W	–	WDT_PSC		ADCKS		TM3PSC	
R/W	R/W	–	R/W		R/W		R/W	
Reset	0	–	0	0	0	0	0	0

- 94h.1~0 **TM3PSC:** Timer3 Interrupt rate
 00: Timer3 Interrupt rate is 32768 Slow clock cycle
 01: Timer3 Interrupt rate is 16384 Slow clock cycle
 10: Timer3 Interrupt rate is 8192 Slow clock cycle
 11: Timer3 Interrupt rate is 128 Slow clock cycle

SFR 95h	Bit 7	Bit 6	Bit 5	Bit 4	Bit 3	Bit 2	Bit 1	Bit 0
INTFLG	LVDIF	–	TKIF	ADIF	–	–	P1IF	TF3
R/W	R	–	R/W	R/W	–	–	R/W	R/W
Reset	–	–	0	0	–	–	0	0

- 95h.0 **TF3:** Timer3 Interrupt Flag
 Set by H/W when Timer3 reaches TM3PSC setting cycles. Cleared automatically when the program performs the interrupt service routine. S/W can write FEh to INTFLG to clear this bit. (*Note1*)

SFR F8h	Bit 7	Bit 6	Bit 5	Bit 4	Bit 3	Bit 2	Bit 1	Bit 0
AUX1	CLRWDT	CLRTM3	TKSOC	ADSOC	LVRPD	T2SEL	T1SEL	DPSEL
R/W	R/W	R/W	R/W	R/W	R/W	R/W	R/W	R/W
Reset	0	0	0	0	0	0	0	0

- F8h.6 **CLRTM3:** Set 1 to clear Timer3, H/W auto clear it at next clock cycle.

Note: also refer to Section 6 for more information about Timer3 Interrupt enable and priority.

8.4 T00 and T20 Output Control

This device can generate various frequency waveform pin output (in CMOS or Open-Drain format) for Buzzer. The T00 and T20 waveform is divided by Timer0/Timer2 overflow signal. The T00 waveform is Timer0 overflow divided by 64, and T20 waveform is Timer2 overflow divided by 2. User can control their frequency by Timers auto reload speed. Set T0OE and T2OE SFRs can output these waveforms.

SFR A6h	Bit 7	Bit 6	Bit 5	Bit 4	Bit 3	Bit 2	Bit 1	Bit 0
PINMOD	–	I2CSEL	TCOE	T2OE	–	–	–	T0OE
R/W	–	R/W	R/W	R/W	–	–	–	R/W
Reset	–	0	0	0	–	–	–	0

- A6h.4 **T2OE:** Timer2 signal output (T2O) control
 0: Disable Timer2 overflow divided by 2 output to P1.0
 1: Enable Timer2 overflow divided by 2 output to P1.0
- A6h.0 **T0OE:** Timer0 signal output (T0O) control
 0: Disable Timer0 overflow divided by 64 output to P3.4
 1: Enable Timer0 overflow divided by 64 output to P3.4

9. UARTs

This Chip has two UARTs, UART1 and UART2.

The **UART1** uses **SCON** and **SBUF** SFRs. **SCON** is the control register, **SBUF** is the data register. Data is written to **SBUF** for transmission and **SBUF** is read to obtain received data. The received data and transmitted data registers are completely independent. In addition to standard 8051's full duplex mode, this chip also provides one wire mode. If the **UART1W** bit is set, both transmit and receive data use P3.1 pin.

The **UART2** uses **SCON2** and **SBUF2** SFRs. **SCON2** is the control register, **SBUF2** is the data register. Data is written to **SBUF2** for transmission and **SBUF2** is read to obtain received data. The received data and transmitted data registers are completely independent. The **UART2** supports most of the functions of **UART**, but it does not support **Mode0** and **Mode2**, it also does not support **Timer2** and one wire **UART** mode. On other hand, the option of **SMOD** is not use for **UART2**. **UART2** double baud rate is always enabled.

SFR 87h	Bit 7	Bit 6	Bit 5	Bit 4	Bit 3	Bit 2	Bit 1	Bit 0
PCON	SMOD	–	–	–	GF1	GF0	PD	IDL
R/W	R/W	–	–	–	R/W	R/W	R/W	R/W
Reset	0	–	–	–	0	0	0	0

87h.7 **SMOD**: UART1 double baud rate control bit
 0: Disable UART1 double baud rate
 1: Enable UART1 double baud rate

SFR 94h	Bit 7	Bit 6	Bit 5	Bit 4	Bit 3	Bit 2	Bit 1	Bit 0
OPTION	UART1W	–	WDTPSC		ADCKS		TM3PSC	
R/W	R/W	–	R/W		R/W		R/W	
Reset	0	–	0	0	0	0	0	0

94h.7 **UART1W**: One wire UART1 mode enable, both TXD/RXD use P3.1 pin
 0: Disable one wire UART1 mode
 1: Enable one wire UART1 mode

SFR 98h	Bit 7	Bit 6	Bit 5	Bit 4	Bit 3	Bit 2	Bit 1	Bit 0
SCON	SM0	SM1	SM2	REN	TB8	RB8	TI	RI
R/W	R/W	R/W	R/W	R/W	R/W	R/W	R/W	R/W
Reset	0	0	0	0	0	0	0	0

98h.7~6 **SM0,SM1**: UART1 serial port mode select bit 0,1
 00: Mode0: 8 bit shift register, Baud Rate= $F_{SYSCLK}/2$
 01: Mode1: 8 bit UART1, Baud Rate is variable
 10: Mode2: 9 bit UART1, Baud Rate= $F_{SYSCLK}/32$ or/64
 11: Mode3: 9 bit UART1, Baud Rate is variable

98h.5 **SM2**: Serial port mode select bit 2
 SM2 enables multiprocessor communication over a single serial line and modifies the above as follows. In Modes 2 & 3, if SM2 is set then the received interrupt will not be generated if the received ninth data bit is 0. In Mode 1, the received interrupt will not be generated unless a valid stop bit is received. In Mode 0, SM2 should be 0.

98h.4 **REN**: UART1 reception enable
 0: Disable reception
 1: Enable reception

98h.3 **TB8**: Transmit Bit 8, the ninth bit to be transmitted in Mode 2 and 3

98h.2 **RB8**: Receive Bit 8, contains the ninth bit that was received in Mode 2 and 3 or the stop bit is Mode 1 if SM2=0

- 98h.1 **TI:** Transmit interrupt flag
Set by H/W at the end of the eighth bit in Mode 0, or at the beginning of the stop bit in other modes. Must be cleared by S/W.
- 98h.0 **RI:** Receive interrupt flag
Set by H/W at the end of the eighth bit in Mode 0, or at the sampling point of the stop bit in other modes. Must be cleared by S/W.

SFR 99h	Bit 7	Bit 6	Bit 5	Bit 4	Bit 3	Bit 2	Bit 1	Bit 0
SBUF	SBUF							
R/W	R/W							
Reset	–	–	–	–	–	–	–	–

99h.7~0 **SBUF:** UART1 transmit and receive data. Transmit data is written to this location and receive data is read from this location, but the paths are independent.

SFR 8Eh	Bit 7	Bit 6	Bit 5	Bit 4	Bit 3	Bit 2	Bit 1	Bit 0
SCON2	SM	–	–	REN2	TB82	RB82	TI2	RI2
R/W	R/W	–	–	R/W	R/W	R/W	R/W	R/W
Reset	0	–	–	0	0	0	0	0

- 8Eh.7 **SM:** UART2 Serial port mode select bit
0: Mode1: 8 bit UART2, Baud Rate is variable
1: Mode3: 9 bit UART2, Baud Rate is variable
(UART2 does not support Mode0/Mode2)
- 8Eh.4 **REN2:** UART2 reception enable
0: Disable reception
1: Enable reception
- 8Eh.3 **TB82:** Transmit Bit 8, the ninth bit to be transmitted in Mode 3
- 8Eh.2 **RB82:** Receive Bit 8, contains the ninth bit that was received in Mode3
- 8Eh.1 **TI2:** Transmit interrupt flag
Set by H/W at the beginning of the stop bit in Mode 1 & 3. Must be cleared by S/W.
- 8Eh.0 **RI2:** Receive interrupt flag
Set by H/W at the sampling point of the stop bit in Mode 1 & 3. Must be cleared by S/W.

SFR 8Fh	Bit 7	Bit 6	Bit 5	Bit 4	Bit 3	Bit 2	Bit 1	Bit 0
SBUF2	SBUF2							
R/W	R/W							
Reset	–	–	–	–	–	–	–	–

8Fh.7~0 **SBUF2:** UART2 transmit and receive data. Transmit data is written to this location and receive data is read from this location, but the paths are independent.

F_{SYSCLK} denotes System clock frequency, the UART baud rate is calculated as below.

- **Mode 0: (UART2 invalid)**
Baud Rate= $F_{\text{SYSCLK}}/2$
- **Mode 1, 3:** if using Timer1 auto reload mode
Baud Rate= $(\text{SMOD} + 1) \times F_{\text{SYSCLK}} / (32 \times 2 \times (256 - \text{TH1}))$
- **Mode 1, 3:** if using Timer2 (**UART2 invalid**)
Baud Rate=Timer2 overflow rate/16 = $F_{\text{SYSCLK}} / (32 \times (65536 - \text{RCP2H}, \text{RCP2L}))$
- **Mode 2: (UART2 invalid)**
Baud Rate= $(\text{SMOD} + 1) \times F_{\text{SYSCLK}}/64$

Note: also refer to Section 6 for more information about UART Interrupt enable and priority.

Note: also refer to Section 8 for more information about how Timer2 controls UART clock.

10. PWMs

10.1 16-bit PWM

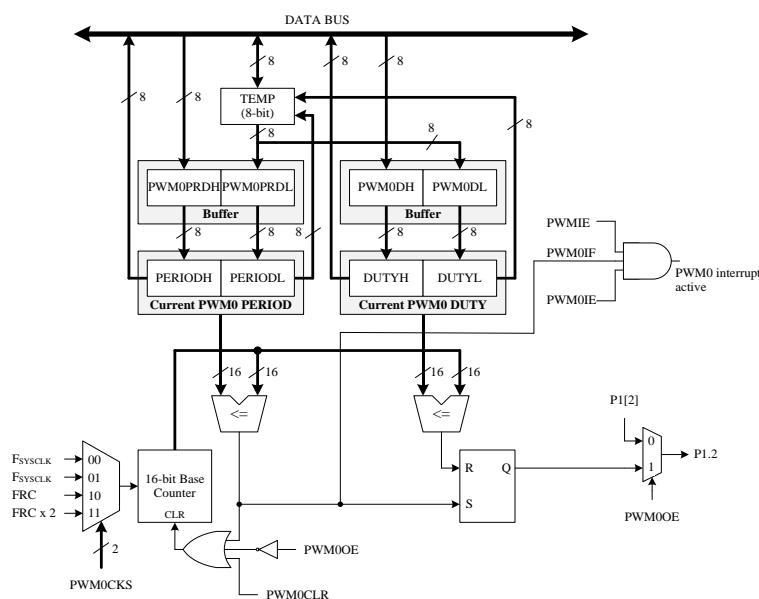
The Chip has three independent 16-bit PWM modules PWM0, PWM1 and PWM2. PWM0~2 have the same operation structure. The following takes PWM0 as an example for description. The PWM can generate varies frequency waveform with 65536 duty resolution on the basis of the PWM clock. The PWM clock can select FRC double frequency (FRC x 2), FRC or F_{SYSCLK} as its clock source.

The pin mode SFR controls the PWM output waveform format. Mode1 makes the PWM open drain output and Mode2 makes the PWM CMOS push-pull output. (see section 7)

The 16-bit PWM0PRD, PWM0D registers all have a low byte and high byte structure. The high bytes can be directly accessed, but the low bytes can only be accessed via an internal 8-bit buffer, reading or writing to these register pairs must be carried out in a specific way. The important point to notes is that data transfer to and from the 8-bit buffer and its related low byte only takes place when write or read operation to its corresponding high bytes is executed. **Briefly speaking, write low byte first and then high byte; read high byte first and then low byte.**

The PWM0OE bit is used to select the output to PWM0. If PWM0OE are cleared, the PWM0 will be cleared and stopped, otherwise the PWM0 is running. The PWM0CLR bit has the same function. When PWM0CLR bit is set, the PWM0 will be cleared and held, otherwise the PWM0 is running. The PWM0 structure is shown as follow. The PWM0 duty cycle can be changed by writing to PWM0DH and PWM0DL. The PWM0 output signal resets to a low level whenever the 16-bit base counter matches the 16-bit PWM0 duty register {PWM0DH, PWM0DL}. The PWM0 period can be set by writing the period value to the PWM0PRDH and PWM0PRDL registers. After writing the PWM0D or PWM0PRD register, the new values will immediately save to their own buffer. H/W will update these values at the end of current period or while PWM0 is cleared. PWM0~2 has a corresponding interrupt flag, and an interrupt flag is generated at the end of the period.

PWMxDH, PWMxDL, PWMxPRDH or PWMxPRDL is a 16-bit operation, and the program should avoid interrupts when writing and reading the high byte and low byte. If you are reading and writing these 16-bit SFRs in the meantime an interrupt occurs. And these SFRs are read and written in the interrupt. It is easy to cause read and write errors. For the 16-bit PWM period and duty to read and write, it is recommended to update the data only in the main program, or update the data only in the interrupt to avoid possible errors.



PWM0 Structure

SFR 86h	Bit 7	Bit 6	Bit 5	Bit 4	Bit 3	Bit 2	Bit 1	Bit 0
INTPWM	–	–	–	–	–	PWM2IF	PWM1IF	PWM0IF
R/W	–	–	–	–	–	R/W	R/W	R/W
Reset	–	–	–	–	–	0	0	0

86h.2 **PWM2IF:**
 0: S/W write 0 to clear it
 1: Set by H/W at the end of the period

86h.1 **PWM1IF:**
 0: S/W write 0 to clear it
 1: Set by H/W at the end of the period

86h.0 **PWM0IF:**
 0: S/W write 0 to clear it
 1: Set by H/W at the end of the period

SFR 9Eh	Bit 7	Bit 6	Bit 5	Bit 4	Bit 3	Bit 2	Bit 1	Bit 0
PWMOE	PWM1IE	PWM0IE	–	–	–	PWM2OE	PWM1OE	PWM0OE
R/W	R/W	R/W	–	–	–	R/W	R/W	R/W
Reset	0	0	–	–	–	0	0	0

9Eh.7 **PWM1IE:** PWM1 Interrupt Enable
 0: disable
 1: enable (note: PWMIE must be 1 at the same time to generate PWM interrupt)

9Eh.6 **PWM0IE:** PWM0 Interrupt Enable
 0: disable
 1: enable (note: PWMIE must be 1 at the same time to generate PWM interrupt)

9Eh.2 **PWM2OE:**
 0: disable 1: PWM2 enable and signal output to P1.6 pin

9Eh.1 **PWM1OE:**
 0: disable 1: PWM1 enable and signal output to P1.3 pin

9Eh.0 **PWM0OE:**
 0: disable 1: PWM0 enable and signal output to P1.2 pin

SFR 9Fh	Bit 7	Bit 6	Bit 5	Bit 4	Bit 3	Bit 2	Bit 1	Bit 0
PWMCLR	PWM2IE	–	–	–	–	PWM2CLR	PWM1CLR	PWM0CLR
R/W	R/W	–	–	–	–	R/W	R/W	R/W
Reset	0	–	–	–	–	0	0	0

9Fh.7 **PWM2IE:** PWM2 Interrupt Enable
 0: disable
 1: enable (note: PWMIE must be 1 at the same time to generate PWM interrupt)

9Fh.2 **PWM2CLR:**
 0: PWM2 is running 1: PWM2 is cleared and held

9Fh.1 **PWM1CLR:**
 0: PWM1 is running 1: PWM1 is cleared and held

9Fh.0 **PWM0CLR:**
 0: PWM0 is running 1: PWM0 is cleared and held

SFR A1h	Bit 7	Bit 6	Bit 5	Bit 4	Bit 3	Bit 2	Bit 1	Bit 0
PWMCON	–	–	PWM2CKS		PWM1CKS		PWM0CKS	
R/W	–	–	R/W	R/W	R/W	R/W	R/W	R/W
Reset	–	–	1	0	1	0	1	0

A1h.5~4 **PWM2CKS**: PWM2 Clock source

- 00: F_{SYSCLK}
- 01: F_{SYSCLK}
- 10: FRC
- 11: FRC x 2

A1h.3~2 **PWM1CKS**: PWM1 Clock source

- 00: F_{SYSCLK}
- 01: F_{SYSCLK}
- 10: FRC
- 11: FRC x 2

A1h.1~0 **PWM0CKS**: PWM0 Clock source

- 00: F_{SYSCLK}
- 01: F_{SYSCLK}
- 10: FRC
- 11: FRC x 2

SFR A9h	Bit 7	Bit 6	Bit 5	Bit 4	Bit 3	Bit 2	Bit 1	Bit 0
INTE1	PWMIE	I2CE	ES2	SPIE	ADTKIE	EXLVDIE	P1IE	TM3IE
R/W	R/W	R/W	R/W	R/W	R/W	R/W	R/W	R/W
Reset	0	0	0	0	0	0	0	0

A9h.6 **PWMIE**: PWM0~2 interrupt enable

- 0: Disable PWM0~2 interrupt
- 1: Enable PWM0~2 interrupt

SFR D1h	Bit 7	Bit 6	Bit 5	Bit 4	Bit 3	Bit 2	Bit 1	Bit 0
PWM0DH	PWM0DH							
R/W	R/W							
Reset	1	0	0	0	0	0	0	0

D1h.7~0 **PWM0DH**: PWM0 duty high byte
 write sequence: PWM0DL then PWM0DH
 read sequence: PWM0DH then PWM0DL

SFR D2h	Bit 7	Bit 6	Bit 5	Bit 4	Bit 3	Bit 2	Bit 1	Bit 0
PWM0DL	PWM0DL							
R/W	R/W							
Reset	0	0	0	0	0	0	0	0

D2h.7~0 **PWM0DL**: PWM0 duty low byte
 write sequence: PWM0DL then PWM0DH
 read sequence: PWM0DH then PWM0DL

SFR D3h	Bit 7	Bit 6	Bit 5	Bit 4	Bit 3	Bit 2	Bit 1	Bit 0
PWM1DH	PWM1DH							
R/W	R/W							
Reset	1	0	0	0	0	0	0	0

D3h.7~0 **PWM1DH**: PWM1 duty high byte
 write sequence: PWM1DL then PWM1DH
 read sequence: PWM1DH then PWM1DL

SFR D4h	Bit 7	Bit 6	Bit 5	Bit 4	Bit 3	Bit 2	Bit 1	Bit 0
PWM1DL	PWM1DL							
R/W	R/W							
Reset	0	0	0	0	0	0	0	0

D4h.7~0 **PWM1DL**: PWM1 duty low byte
 write sequence: PWM1DL then PWM1DH
 read sequence: PWM1DH then PWM1DL

SFR D5h	Bit 7	Bit 6	Bit 5	Bit 4	Bit 3	Bit 2	Bit 1	Bit 0
PWM2DH	PWM2DH							
R/W	R/W							
Reset	1	0	0	0	0	0	0	0

D5h.7~0 **PWM2DH**: PWM2 duty high byte
 write sequence: PWM2DL then PWM2DH
 read sequence: PWM2DH then PWM2DL

SFR D6h	Bit 7	Bit 6	Bit 5	Bit 4	Bit 3	Bit 2	Bit 1	Bit 0
PWM2DL	PWM2DL							
R/W	R/W							
Reset	0	0	0	0	0	0	0	0

D6h.7~0 **PWM2DL**: PWM2 duty low byte
 write sequence: PWM2DL then PWM2DH
 read sequence: PWM2DH then PWM2DL

SFR D9h	Bit 7	Bit 6	Bit 5	Bit 4	Bit 3	Bit 2	Bit 1	Bit 0
PWM0PRDH	PWM0PRDH							
R/W	R/W							
Reset	1	1	1	1	1	1	1	1

D9h.7~0 **PWM0PRDH**: PWM0 period high byte
 write sequence: PWM0PRDL then PWM0PRDH
 read sequence: PWM0PRDH then PWM0PRDL

SFR DAh	Bit 7	Bit 6	Bit 5	Bit 4	Bit 3	Bit 2	Bit 1	Bit 0
PWM0PRDL	PWM0PRDL							
R/W	R/W							
Reset	1	1	1	1	1	1	1	1

DAh.7~0 **PWM0PRDL**: PWM0 period low byte
 write sequence: PWM0PRDL then PWM0PRDH
 read sequence: PWM0PRDH then PWM0PRDL

SFR DBh	Bit 7	Bit 6	Bit 5	Bit 4	Bit 3	Bit 2	Bit 1	Bit 0
PWM1PRDH	PWM1PRDH							
R/W	R/W							
Reset	1	1	1	1	1	1	1	1

DBh.7~0 **PWM1PRDH**: PWM1 period high byte
 write sequence: PWM1PRDL then PWM1PRDH
 read sequence: PWM1PRDH then PWM1PRDL

SFR DCh	Bit 7	Bit 6	Bit 5	Bit 4	Bit 3	Bit 2	Bit 1	Bit 0
PWM1PRDL	PWM1PRDL							
R/W	R/W							
Reset	1	1	1	1	1	1	1	1

DCh.7~0 **PWM1PRDL**: PWM1 period low byte
 write sequence: PWM1PRDL then PWM1PRDH
 read sequence: PWM1PRDH then PWM1PRDL

SFR DDh	Bit 7	Bit 6	Bit 5	Bit 4	Bit 3	Bit 2	Bit 1	Bit 0
PWM2PRDH	PWM2PRDH							
R/W	R/W							
Reset	1	1	1	1	1	1	1	1

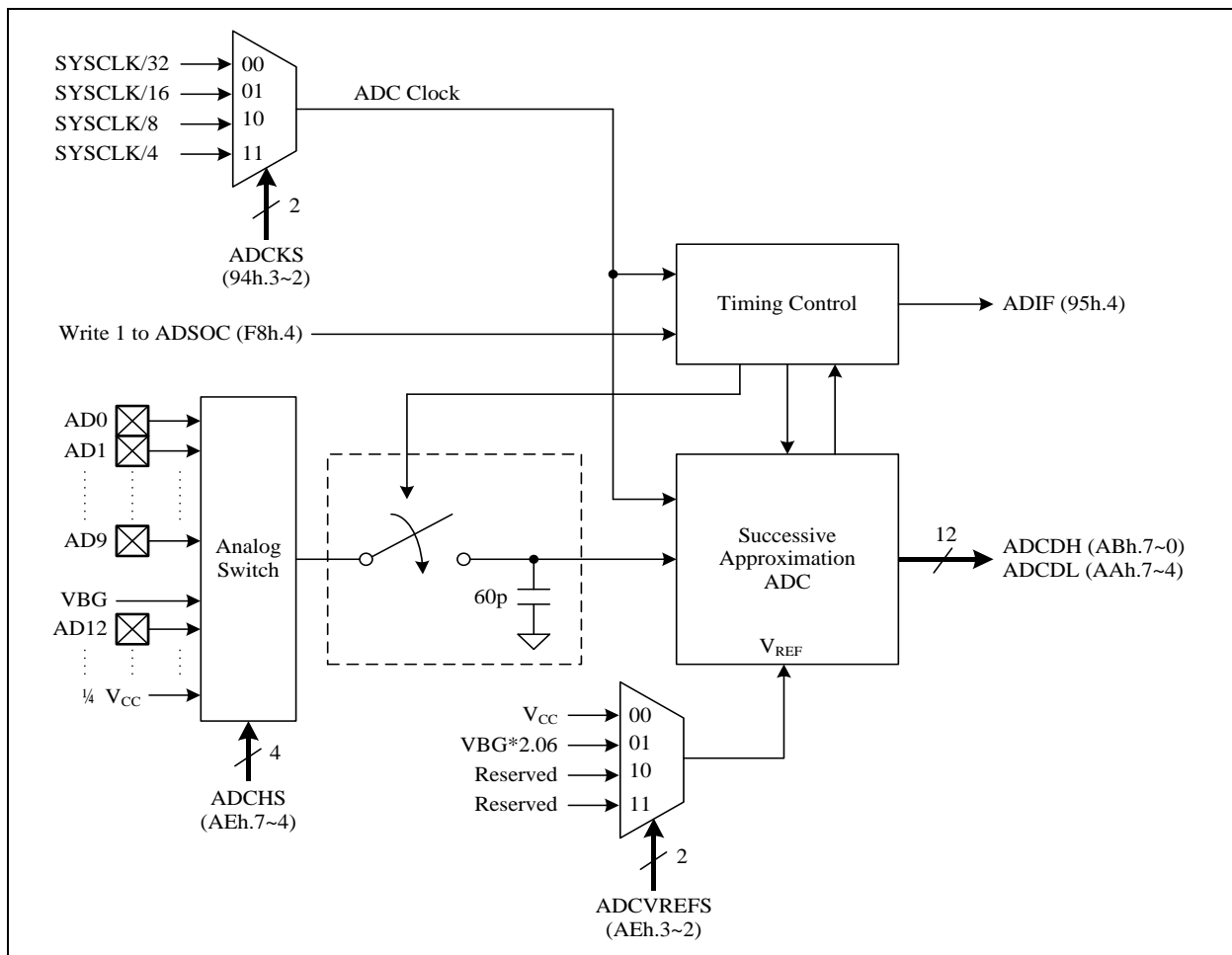
DDh.7~0 **PWM2PRDH**: PWM2 period high byte
 write sequence: PWM2PRDL then PWM2PRDH
 read sequence: PWM2PRDH then PWM2PRDL

SFR DEh	Bit 7	Bit 6	Bit 5	Bit 4	Bit 3	Bit 2	Bit 1	Bit 0
PWM2PRDL	PWM2PRDL							
R/W	R/W							
Reset	1	1	1	1	1	1	1	1

DEh.7~0 **PWM2PRDL**: PWM2 period low byte
 write sequence: PWM2PRDL then PWM2PRDH
 read sequence: PWM2PRDH then PWM2PRDL

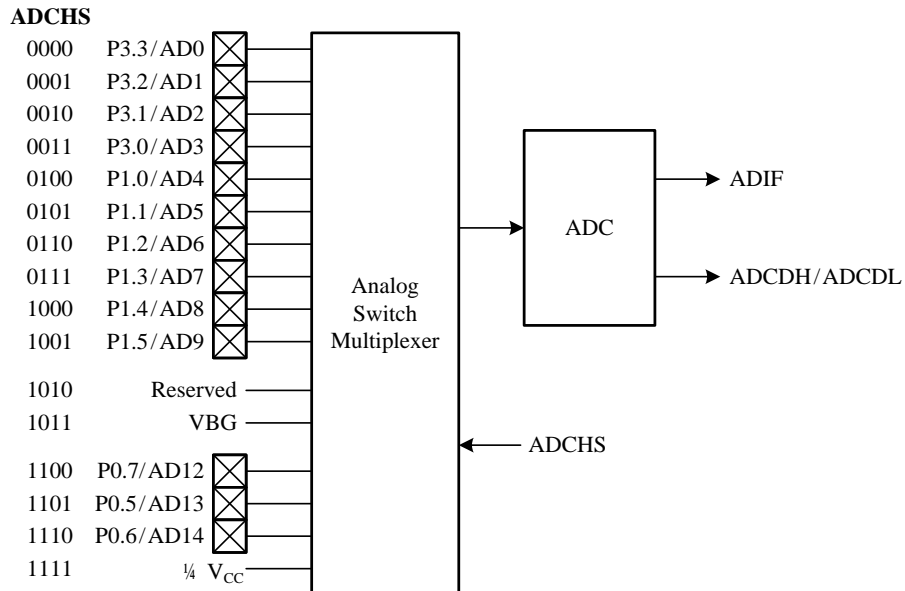
11. ADC

The Chip offers a 12-bit ADC consisting of a 16-channel analog input multiplexer, control register, clock generator, 12-bit successive approximation register, and output data register. To use the ADC, set the ADCKS bit first to choose a proper ADC clock frequency, which must be less than 1 MHz. Then, launch the ADC conversion by setting the ADSOC bit, and H/W will automatic clear it at the end of the conversion. After the end of the conversion, H/W will set the ADIF bit and generate an interrupt if an ADC interrupt is enabled. The ADIF bit can be cleared by writing 0 to this bit or 1 to the ADSOC bit. Because certain channels are shared with the Touch Key, the ADC channel must be configured differently from the Touch Key channel to avoid affecting the channel input sensitivity. The VREF of the ADC can be selected from the following two voltages: V_{CC} and $V_{BG} * 2.06V$. When ADCHS is selected to VBG, ADCVREFS must be set to V_{CC} , otherwise ADC conversion will be invalid.



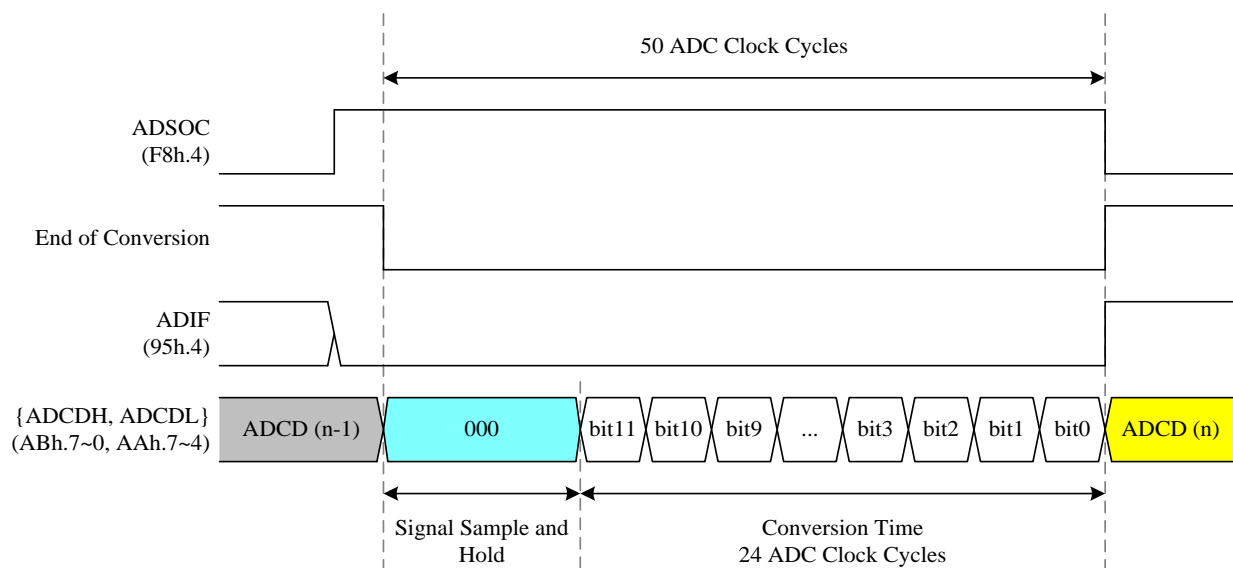
11.1 ADC Channels

The 12-bit ADC has a total of 16 channels, designated AD0~AD9, AD12~AD14, VBG and 1/4V_{CC}. The ADC channels are connected to the analog input pins via the analog switch multiplexer. The analog switch multiplexer is controlled by the ADCHS register. VBG is an internal voltage reference at 1.2V. When ADC channel select to VBG, VBG generator will enable automatically. User can get more stable VBG voltage by setting SFR VBGEN=1 to always enable VBG generator. When ADCHS is selected to VBG, ADCVREFS must be set to V_{CC}, otherwise ADC conversion will be invalid.



11.2 ADC Conversion Time

The conversion time is the time required for the ADC to convert the voltage. The ADC requires two ADC clock cycles to convert each bit and several clock cycles to sample and hold the input voltage. A total of 50 ADC clock cycles are required to perform the complete conversion. When the conversion time is complete, the ADIF interrupt flag is set by H/W, and the result is loaded into the ADCDH and ADCDL registers of the 12-bit A/D result.



SFR 94h	Bit 7	Bit 6	Bit 5	Bit 4	Bit 3	Bit 2	Bit 1	Bit 0
OPTION	UART1W	–	WDTPSC		ADCKS		TM3PSC	
R/W	R/W	–	R/W		R/W		R/W	
Reset	0	–	0	0	0	0	0	0

94h.3~2 **ADCKS:** ADC clock rate select

00: $F_{SYSCLK}/32$

01: $F_{SYSCLK}/16$

10: $F_{SYSCLK}/8$

11: $F_{SYSCLK}/4$

SFR 95h	Bit 7	Bit 6	Bit 5	Bit 4	Bit 3	Bit 2	Bit 1	Bit 0
INTFLG	LVDIF	–	TKIF	ADIF	–	–	PIIF	TF3
R/W	R	–	R/W	R/W	–	–	R/W	R/W
Reset	–	–	0	0	–	–	0	0

95h.4 **ADIF:** ADC interrupt flag

Set by H/W at the end of ADC conversion. S/W writes EFh to INTFLG or sets the ADSOC bit to clear this flag. (*Note1*)

SFR AAh	Bit 7	Bit 6	Bit 5	Bit 4	Bit 3	Bit 2	Bit 1	Bit 0
ADCDL	ADCDL				–			
R/W	R				–			
Reset	–	–	–	–	–	–	–	–

AAh.7~4 **ADCDL:** ADC data bit 3~0

SFR ABh	Bit 7	Bit 6	Bit 5	Bit 4	Bit 3	Bit 2	Bit 1	Bit 0
ADCDH	ADCDH							
R/W	R							
Reset	–	–	–	–	–	–	–	–

ABh.7~0 **ADCDH:** ADC data bit 11~4

SFR AEh	Bit 7	Bit 6	Bit 5	Bit 4	Bit 3	Bit 2	Bit 1	Bit 0
CHSEL	ADCHS				ADCVREFS		VBGEN	–
R/W	R/W				R/W	R/W	R/W	–
Reset	1	1	1	1	0	0	0	–

AEh.7~4 **ADCHS**: ADC channel select

- 0000: AD0 (P3.3)
- 0001: AD1 (P3.2)
- 0010: AD2 (P3.1)
- 0011: AD3 (P3.0)
- 0100: AD4 (P1.0)
- 0101: AD5 (P1.1)
- 0110: AD6 (P1.2)
- 0111: AD7 (P1.3)
- 1000: AD8 (P1.4)
- 1001: AD9 (P1.5)
- 1010: Reserved
- 1011: V_{BG} (Internal Bandgap Reference Voltage)
- 1100: AD12 (P0.7)
- 1101: AD13 (P0.5)
- 1110: AD14 (P0.6)
- 1111: 1/4 V_{CC}

AEh.3~2 **ADCVREFS**: ADC reference voltage. When ADCHS is selected to VBG, ADCVREFS must be set to VCC, otherwise ADC conversion will be invalid

- 00: VCC
- 01: VBG*2.06V
- 10: Reserved
- 11: Reserved

AEh.1 **VBGEN**: force VBG generator enable

- 0: VBG generator is automatically enable and disable
- 1: Force VBG generator enable included in IDLE mode but disabled in Stop/Halt mode

SFR F8h	Bit 7	Bit 6	Bit 5	Bit 4	Bit 3	Bit 2	Bit 1	Bit 0
AUX1	CLRWDT	CLRTM3	TKSOC	ADSOC	LVRPD	T2SEL	T1SEL	DPSEL
R/W	R/W	R/W	R/W	R/W	R/W	R/W	R/W	R/W
Reset	0	0	0	0	0	0	0	0

F8h.4 **ADSOC**: Start ADC conversion

Set the ADSOC bit to start ADC conversion, and the ADSOC bit will be cleared by H/W at the end of conversion. S/W can also write 0 to clear this flag.

12. Touch Key (FTK)

The Touch Key offers an easy simple and reliable method to implement finger touch detection. During the key scan operation, the device support 20 channels touch key detection.

To use the Touch Key, user should setup correctly. There are two ways to set IO as TK channel. Set SFR PxMODx to 11b or set SFR TKPINSEL0~2 to force IO as TK channel. If TKPINSEL0~2 are set, the corresponding IO pins will be fixed as TK channels and will no longer be affected by PxNMODx.

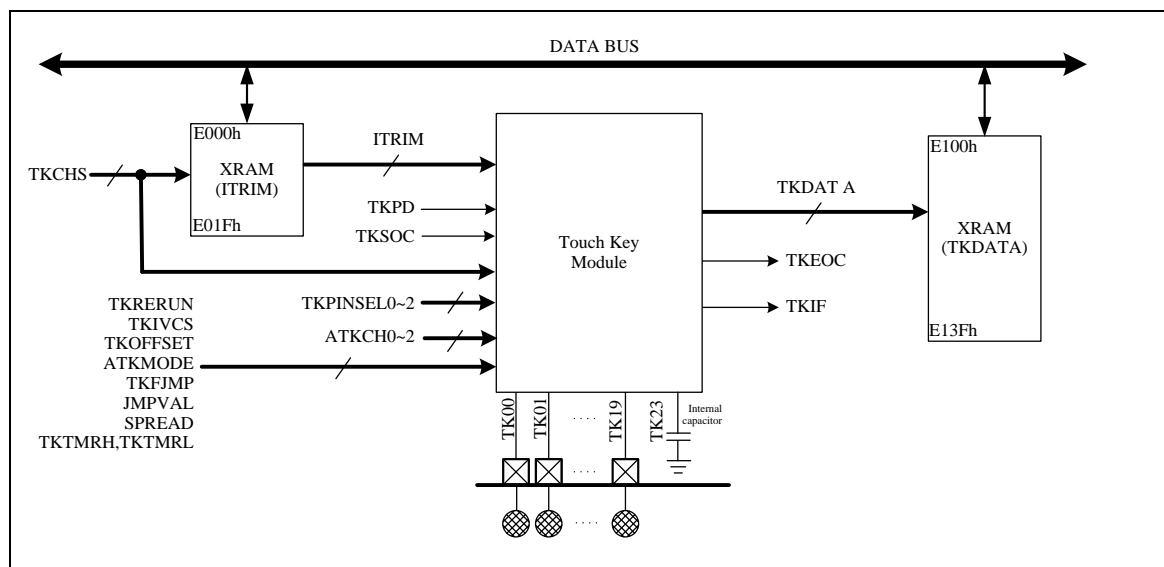
TKPINSEL	Bit 7	Bit 6	Bit 5	Bit 4	Bit 3	Bit 2	Bit 1	Bit 0
TKPINSEL0	TK07	TK06	TK05	TK04	TK03	TK02	TK01	TK00
TKPINSEL1	TK15	TK14	TK13	TK12	TK11	TK10	TK09	TK08
TKPINSEL2					TK19	TK18	TK17	TK16

Set TKPINSEL0~2 to fix IO as TK channel

In the TK Mode, user assigns TKPD=0 to turn on the TK module, then set the TKSOC bit to start touch key conversion, the TKSOC bit can be automatically cleared while end of conversion. However, if the SYSCLK is too slow, H/W might fail to clear TKSOC due to clock sampling rate. TKEOC=0 means conversion is in process. TKEOC=1 means the conversion is finish, and the touch key counting result is stored into the XRAM. After TKEOC=1, user must wait at least 50 μs for next conversion. But if TKRERUN = 1, TK will always be converted, and there is no need to set TKSOC for each conversion. Reducing/increasing TKTMR can reduce/increase the TKDATA to accommodate the condition of the system.

The FTK has an internal built-in reference capacitor to simulate the KEY behavior. Set TKCHS=17h and start the scanning can get the TK Data Count of internal reference capacitor (TKCAP). Since the internal capacitor would not be affected by water or mobile phone, it is useful for comparing the environment background noise. Setting the TKFJMP, the frequency of Touch Key clock can be change automatically by H/W controlled. It may help to improve the ability to resist noise.

ITRIM are 7 bits data for TK channel reference voltage fine tune. E000h.6~0 is TK00 reference voltage fine tune. E001h.6~0 is TK01 reference voltage fine tune. E017h.6~0 is TKCAP (TK23) reference voltage fine tune etc. Users can use ITRIM to obtain similar reference voltages for different TK channels



FTK Structure

SFR ATKCH0~2 are used to specify scan TK channel, and each bit is mapped to TK pin. TK scan will scan from low bit to high bit. If ATKMODE = 0, TK can scan up to 21 channels, TK00~TK19 and TKCAP (TK23), each channel is scanned once. If ATKMODE = 1, TK can scan up to 16 channels, each channel is scanned twice. If ATKMODE = 2, TK can scan up to 8 channels, each channel is scanned 4 times. If ATKMODE = 3, TK can scan up to 4 channels, each channel is scanned 8 times. TKCHS is used to specify the first channel for TK to start scanning.

For example:

Condition ATKMODE=0, scan TK16/TK14/TK08/TK07/TK06/TK02

⇒ TKPINSEL2=0000_0001, TKPINSEL1=0100_0001, TKPINSEL0=1100_0100

⇒ ATKCH2=0000_0001, ATKCH1=0100_0001, ATKCH0=1100_0100

⇒ TKCHS=0x02 (Specify the first scan channel)

The arrangement of TK data stored in XRAM is as follows.

XRAM	
E100h	TK00 DATAL
E101h	TK00 DATAH
E102h	TK01 DATAL
E103h	TK01 DATAH
...	
E128h	TK20 DATAL
E129h	TK20 DATAH
...	
E12Eh	TK23 DATAL
E12Fh	TK23 DATAH

The TK scan result is 14-bit data, which are DATAH 6-bit and DATAL 8-bit. DATAH/L must be read in order to get the correct 14-bit data: first read the low byte (DATAL), then read the high word byte (DATAH)

Condition ATKMODE=1, scan TK16/TK14/TK08/TK07/TK06/TK02

- ⇒ TKPINSEL2=0000_0001, TKPINSEL1=0100_0001, TKPINSEL0=1100_0100
- ⇒ ATKCH2=0000_0001, ATKCH1=0100_0001, ATKCH0=1100_0100
- ⇒ TKCHS=0x02 (Specify the first scan channel)

The arrangement of TK data stored in XRAM is as follows.

XRAM	
E100h	TK02 1 st DATAL
E101h	TK02 1 st DATAH
E102h	TK02 2 nd DATAL
E103h	TK02 2 nd DATAH
E104h	TK06 1 st DATAL
E105h	TK06 1 st DATAH
E106h	TK06 2 nd DATAL
E107h	TK06 2 nd DATAH
...	
E114h	TK16 1 st DATAL
E115h	TK16 1 st DATAH
E116h	TK16 2 nd DATAL
E117h	TK16 2 nd DATAH
...	

The TK scan result is 14-bit data, which are DATAH 6-bit and DATAL 8-bit. DATAH/L must be read in order to get the correct 14-bit data: first read the low byte (DATAL), then read the high word byte (DATAH)

Condition ATKMODE=2, scan TK16/TK14/TK08/TK07/TK06/TK02

- ⇒ TKPINSEL2=0000_0001, TKPINSEL1=0100_0001, TKPINSEL0=1100_0100
- ⇒ ATKCH2=0000_0001, ATKCH1=0100_0001, ATKCH0=1100_0100
- ⇒ TKCHS=0x02 (Specify the first scan channel)

The arrangement of TK data stored in XRAM is as follows.

XRAM	
E100h	TK02 1 st DATAL
E101h	TK02 1 st DATAH
E102h	TK02 2 nd DATAL
E103h	TK02 2 nd DATAH
E104h	TK02 3 rd DATAL
E105h	TK02 3 rd DATAH
E106h	TK02 4 th DATAL
E107h	TK02 4 th DATAH
E108h	TK06 1 st DATAL
E109h	TK06 1 st DATAH
E10Ah	TK06 2 nd DATAL
E10Bh	TK06 2 nd DATAH
E10Ch	TK06 3 rd DATAL
E10Dh	TK06 3 rd DATAH
E10Eh	TK06 4 th DATAL
E10Fh	TK06 4 th DATAH
	...
E128h	TK16 1 st DATAL
E129h	TK16 1 st DATAH
E12Ah	TK16 2 nd DATAL
E12Bh	TK16 2 nd DATAH
E12Ch	TK16 3 rd DATAL
E12Dh	TK16 3 rd DATAH
E12Eh	TK16 4 th DATAL
E12Fh	TK16 4 th DATAH

The TK scan result is 14-bit data, which are DATAH 6-bit and DATAL 8-bit. DATAH/L must be read in order to get the correct 14-bit data: first read the low byte (DATAL), then read the high word byte (DATAH)

Condition ATKMODE=3, scan TK08/TK07/TK06/TK02

- ⇒ TKPINSEL2=0000_0000, TKPINSEL1=0000_0001, TKPINSEL0=1100_0100
- ⇒ ATKCH2=0000_0000, ATKCH1=0000_0001, ATKCH0=1100_0100
- ⇒ TKCHS=0x02 (Specify the first scan channel)

The arrangement of TK data stored in XRAM is as follows.

XRAM	
E100h	TK02 1 st DATAL
E101h	TK02 1 st DATAH
E102h	TK02 2 nd DATAL
E103h	TK02 2 nd DATAH
E104h	TK02 3 rd DATAL
E105h	TK02 3 rd DATAH
E106h	TK02 4 th DATAL
E107h	TK02 4 th DATAH
E108h	TK02 5 th DATAL
E109h	TK02 5 th DATAH
E10Ah	TK02 6 th DATAL
E10Bh	TK02 6 th DATAH
E10Ch	TK02 7 th DATAL
E10Dh	TK02 7 th DATAH
E10Eh	TK02 8 th DATAL
E10Fh	TK02 8 th DATAH
	...
E130h	TK08 1 st DATAL
E131h	TK08 1 st DATAH
E132h	TK08 2 nd DATAL
E133h	TK08 2 nd DATAH
E134h	TK08 3 rd DATAL
E135h	TK08 3 rd DATAH
E136h	TK08 4 th DATAL
E137h	TK08 4 th DATAH
E138h	TK08 5 th DATAL
E139h	TK08 5 th DATAH
E13Ah	TK08 6 th DATAL
E13Bh	TK08 6 th DATAH
E13Ch	TK08 7 th DATAL
E13Dh	TK08 7 th DATAH
E13Eh	TK08 8 th DATAL
E13Fh	TK08 8 th DATAH

The TK scan result is 14-bit data, which are DATAH 6-bit and DATAL 8-bit. DATAH/L must be read in order to get the correct 14-bit data: first read the low byte (DATAL), then read the high word byte (DATAH)

SFR 95h	Bit 7	Bit 6	Bit 5	Bit 4	Bit 3	Bit 2	Bit 1	Bit 0
INTFLG	LVDIF	–	TKIF	ADIF	–	–	P1IF	TF3
R/W	R	–	R/W	R/W	–	–	R/W	R/W
Reset	–	–	0	0	–	–	0	0

95h.5 TKIF: Touch Key Interrupt Flag

Set by H/W at the end of Touch Key conversion if SYSCLK is fast enough. S/W writes DFh to INTFLG or sets the TKSOC bit to clear this flag.

SFR ADh	Bit 7	Bit 6	Bit 5	Bit 4	Bit 3	Bit 2	Bit 1	Bit 0
TKCON	TKPD	TKEOC	TKRERUN	TKIVCS	TKXCAP	TKOFFSET	ATKMODE	
R/W	R/W	R	R/W	R/W	R/W	R/W	R/W	
Reset	1	1	0	0	0	0	0	0

ADh.7 TKPD: Touch Key power down

0: Touch Key enable
1: Touch Key disable

ADh.6 TKEOC: Touch Key end of conversion flag, TKEOC may have 3uS delay after TKSOC=1, so F/W must wait enough time before polling this Flag.

0: Indicates conversion is in progress
1: Indicates conversion is finished

ADh.5 TKRERUN: TK Auto re-start, doesn't need to set TKSOC again to restart TK converter.

0: Auto re-start disable. TKSOC needs to be executed once for each TK conversion
1: Auto re-start enable. After TKSOC is executed once, TK will be converted continuously without re-executing TKSOC

ADh.4 TKIVCS: Touch Key internal voltage control select

0: VCHG=2.8V; VINT=1.4V
1: VCHG=3.6V; VINT=1.8V

ADh.3 TKXCAP: Touch Key external capacitor select

0: Keep 0, disable Touch Key external capacitor
1: reserved (Do not set to 1)

ADh.2 TKOFFSET: status of non-scan TK

0: connect to VSS
1: connect to AC shielding, connect to VSS@EOC

ADh.1~0 ATKMODE: Touch Key Scan Mode

00: TK scan method, each channel scan 1 time, max 21 TK channels
01: TK scan method, each channel scan 2 times, max 16 TK channels
10: TK scan method, each channel scan 4 times, max 8 TK channels
11: TK scan method, each channel scan 8 times, max 4 TK channels

Note: also refer to Section 6 for more information about Touch Key Interrupt enable and priority.

SFR B4h	Bit 7	Bit 6	Bit 5	Bit 4	Bit 3	Bit 2	Bit 1	Bit 0
TKTMRL	TKTMRL							
R/W	R/W							
Reset	1	1	1	1	1	1	1	1

B4h.7~0 **TKTMRL**: Touch Key Scan length bit 7~0 adjustment.
00: shortest, FF: longest

SFR B5h	Bit 7	Bit 6	Bit 5	Bit 4	Bit 3	Bit 2	Bit 1	Bit 0
TKCON2	TKFJMP	JMPVAL		SPREAD	TKTMRH			
R/W	R/W	R/W		R/W	R/W			
Reset	0	0	0	0	0	0	0	0

B5h.7 **TKFJMP**: Internal Touch Key clock frequency auto adjust option
0: Disable
1: Enable

B5h.6~5 **JMPVAL** : Touch Key Clock frequency fine tune , only available in TKFJMP=0
00=frequency slowest, 11=frequency fastest

B5h.4 **SPREAD**: TK spread spectrum
0: Disable
1: Enable

B5h.3~0 **TKTMRH**: Touch Key Scan length 11~8 adjustment.
0000: shortest, 1111: longest

SFR F8h	Bit 7	Bit 6	Bit 5	Bit 4	Bit 3	Bit 2	Bit 1	Bit 0
AUX1	CLRWDT	CLRTM3	TKSOC	ADSOC	LVRPD	T2SEL	T1SEL	DPSEL
R/W	R/W	R/W	R/W	R/W	R/W	R/W	R/W	R/W
Reset	0	0	0	0	0	0	0	0

F8h.5 **TKSOC**: Touch Key Start of Conversion

Set 1 to start Touch Key conversion. If SYSCLK is fast enough, this bit will be cleared by H/W at the end of conversion while TKRERUN=0. S/W can also write 0 to clear this flag.

SFR A7h	Bit 7	Bit 6	Bit 5	Bit 4	Bit 3	Bit 2	Bit 1	Bit 0
TKCHS	–	–	–	TKCHS				
R/W	–	–	–	R/W				
Reset	–	–	–	1	1	1	1	1

A7h.4~0 **TKCHS**: Specify the first touch key scan channel

- 00000: TK00
- 00001: TK01
- 00010: TK02
- 00011: TK03
- 00100: TK04
- 00101: TK05
- 00110: TK06
- 00111: TK07
- 01000: TK08
- 01001: TK09
- 01010: TK10
- 01011: TK11
- 01100: TK12
- 01101: TK13
- 01110: TK14
- 01111: TK15
- 10000: TK16
- 10001: TK17
- 10010: TK18
- 10011: TK19
- 10111: TKCAP: internal reference capacitor channel

SFR C1h	Bit 7	Bit 6	Bit 5	Bit 4	Bit 3	Bit 2	Bit 1	Bit 0
TKPINSEL0	TKPINSEL0							
R/W	R/W							
Reset	0	0	0	0	0	0	0	0

C1h.7 TK07 Pin fix as TK channel: 0: disable 1: enable
 C1h.6 TK06 Pin fix as TK channel: 0: disable 1: enable
 C1h.5 TK05 Pin fix as TK channel: 0: disable 1: enable
 C1h.4 TK04 Pin fix as TK channel: 0: disable 1: enable
 C1h.3 TK03 Pin fix as TK channel: 0: disable 1: enable
 C1h.2 TK02 Pin fix as TK channel: 0: disable 1: enable
 C1h.1 TK01 Pin fix as TK channel: 0: disable 1: enable
 C1h.0 TK00 Pin fix as TK channel: 0: disable 1: enable

SFR C2h	Bit 7	Bit 6	Bit 5	Bit 4	Bit 3	Bit 2	Bit 1	Bit 0
TKPINSEL1	TKPINSEL1							
R/W	R/W							
Reset	0	0	0	0	0	0	0	0

C2h.7 TK15 Pin fix as TK channel: 0: disable 1: enable
 C2h.6 TK14 Pin fix as TK channel: 0: disable 1: enable
 C2h.5 TK13 Pin fix as TK channel: 0: disable 1: enable
 C2h.4 TK12 Pin fix as TK channel: 0: disable 1: enable
 C2h.3 TK11 Pin fix as TK channel: 0: disable 1: enable
 C2h.2 TK10 Pin fix as TK channel: 0: disable 1: enable
 C2h.1 TK09 Pin fix as TK channel: 0: disable 1: enable
 C2h.0 TK08 Pin fix as TK channel: 0: disable 1: enable

SFR C3h	Bit 7	Bit 6	Bit 5	Bit 4	Bit 3	Bit 2	Bit 1	Bit 0
TKPINSEL2	TKPINSEL2							
R/W	R/W							
Reset	0	0	0	0	0	0	0	0

C3h.7~5 Reservd
 C3h.4 TK20 Pin fix as TK channel: 0: disable 1: enable
 C3h.3 TK19 Pin fix as TK channel: 0: disable 1: enable
 C3h.2 TK18 Pin fix as TK channel: 0: disable 1: enable
 C3h.1 TK17 Pin fix as TK channel: 0: disable 1: enable
 C3h.0 TK16 Pin fix as TK channel: 0: disable 1: enable

SFR C5h	Bit 7	Bit 6	Bit 5	Bit 4	Bit 3	Bit 2	Bit 1	Bit 0
ATKCH0	ATKCH0							
R/W	R/W							
Reset	0	0	0	0	0	0	0	0

C5h.7 TK07 scan enable: 0: disable 1: enable
 C5h.6 TK06 scan enable: 0: disable 1: enable
 C5h.5 TK05 scan enable: 0: disable 1: enable
 C5h.4 TK04 scan enable: 0: disable 1: enable
 C5h.3 TK03 scan enable: 0: disable 1: enable
 C5h.2 TK02 scan enable: 0: disable 1: enable
 C5h.1 TK01 scan enable: 0: disable 1: enable
 C5h.0 TK00 scan enable: 0: disable 1: enable

SFR C6h	Bit 7	Bit 6	Bit 5	Bit 4	Bit 3	Bit 2	Bit 1	Bit 0
ATKCH1	ATKCH1							
R/W	R/W							
Reset	0	0	0	0	0	0	0	0

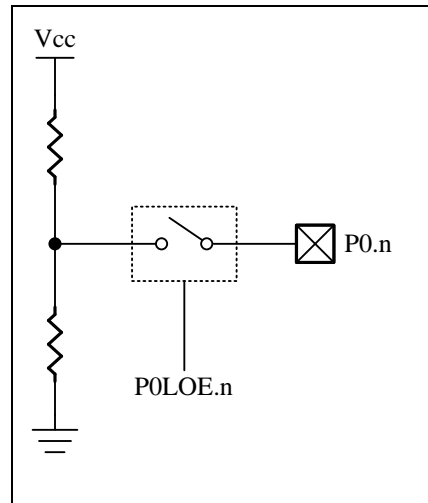
C6h.7 TK15 scan enable: 0: disable 1: enable
 C6h.6 TK14 scan enable: 0: disable 1: enable
 C6h.5 TK13 scan enable: 0: disable 1: enable
 C6h.4 TK12 scan enable: 0: disable 1: enable
 C6h.3 TK11 scan enable: 0: disable 1: enable
 C6h.2 TK10 scan enable: 0: disable 1: enable
 C6h.1 TK09 scan enable: 0: disable 1: enable
 C6h.0 TK08 scan enable: 0: disable 1: enable

SFR C7h	Bit 7	Bit 6	Bit 5	Bit 4	Bit 3	Bit 2	Bit 1	Bit 0
ATKCH2	ATKCH2							
R/W	R/W							
Reset	0	0	0	0	0	0	0	0

C7h.7 TKCAP (TK23) internal reference capacitor channel scan enable: 0: disable 1: enable
 C7h.6~5 Reservd
 C7h.4 TK20 scan enable: 0: disable 1: enable
 C7h.3 TK19 scan enable: 0: disable 1: enable
 C7h.2 TK18 scan enable: 0: disable 1: enable
 C7h.1 TK17 scan enable: 0: disable 1: enable
 C7h.0 TK16 scan enable: 0: disable 1: enable

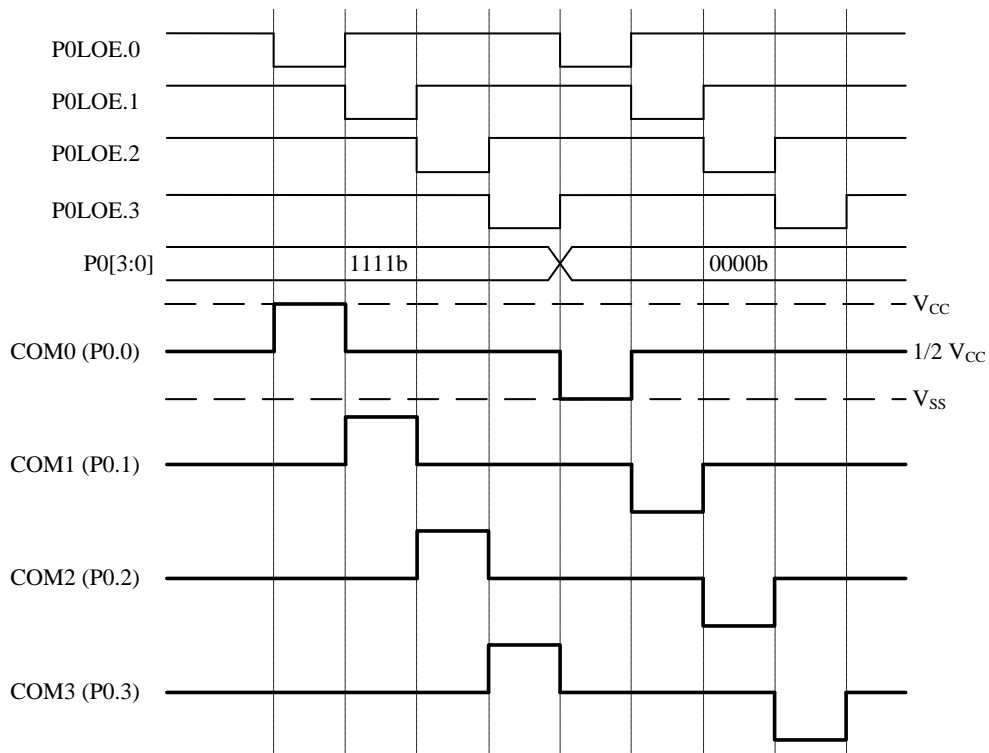
13. S/W Controller LCD Driver

The chip supports an S/W controlled method to driving LCD. It is capable of driving the LCD panel with 144 dots (Max.) by 8 Commons (COM) and 18 Segments (SEG). The P0.0~P0.7 are used for Common pins COM0~COM7 and others pins can be used for Segment pins. COM0~COM7 are capable of driving 1/2 bias when P0.0~P0.7's P0LOE=1. Refer to the following figures.



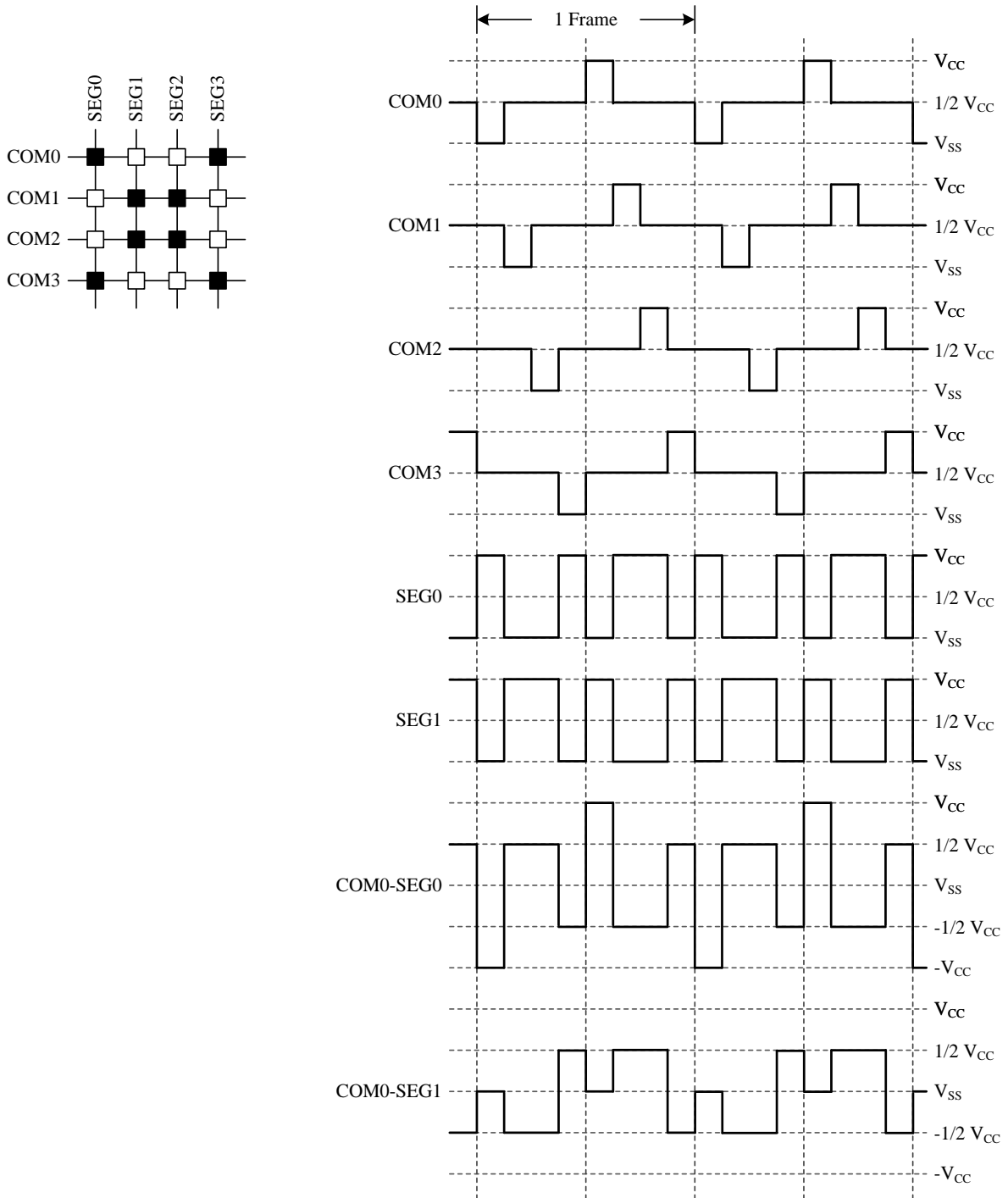
LCD COM0~7 Circuit

The frequency of any repeating waveform output on the COM pin can be used to represent the LCD frame rate. The figure below shows an LCD frame.



S/W Controlled LCD COM0~3 Scanning

1/4 Duty, 1/2 Bias Output Waveform



SFR 92h	Bit 7	Bit 6	Bit 5	Bit 4	Bit 3	Bit 2	Bit 1	Bit 0
P0LOE	P0LOE							
R/W	R/W							
Reset	0	0	0	0	0	0	0	0

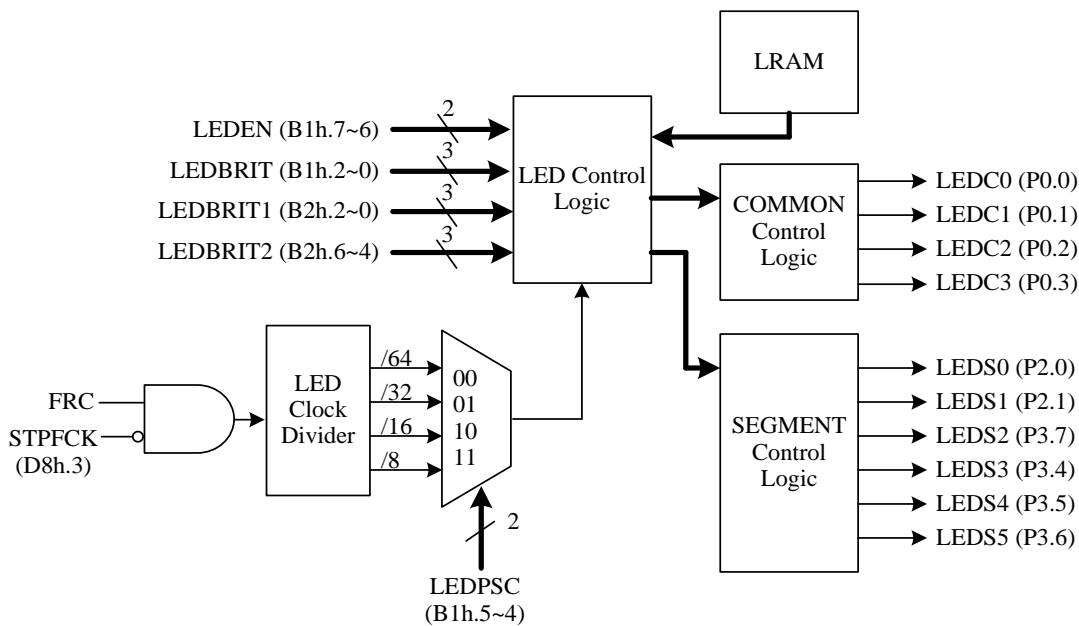
92h.7~0 **P0LOE:** P0.7~P0.0 LCD 1/2 bias output enable control
 0: Disable
 1: Enable

14. LED Controller/Driver

The module can be configured with two drive modes: LED BiD (Bi-Direction) matrix mode and LED dot matrix mode. By register configuration, it only supports one mode of operation at the same time.

14.1 LED Bi-Direction (BiD) Mode

The LED BiD mode can drive more number of LED pixels than the tradition mode, when they use the same number of pins. In this mode, it provides maximum 10 pins (LEDC0~C3, LEDS0~S5) to drive a LED module with 48 pixels. All 10 pins have a high sink current for driving LED directly. This LED controller also provides 3groups 8-level of brightness adjustment for all 10 pin. To avoid LED flicker when the common signal is changing, the chip provides a dead time control. In the dead time period, segment pins will output a short inactive signal instead of changing the signal immediately. To start the LED scanning, it only has to set the LEDEN. Then H/W will control the Pin mode automatically.

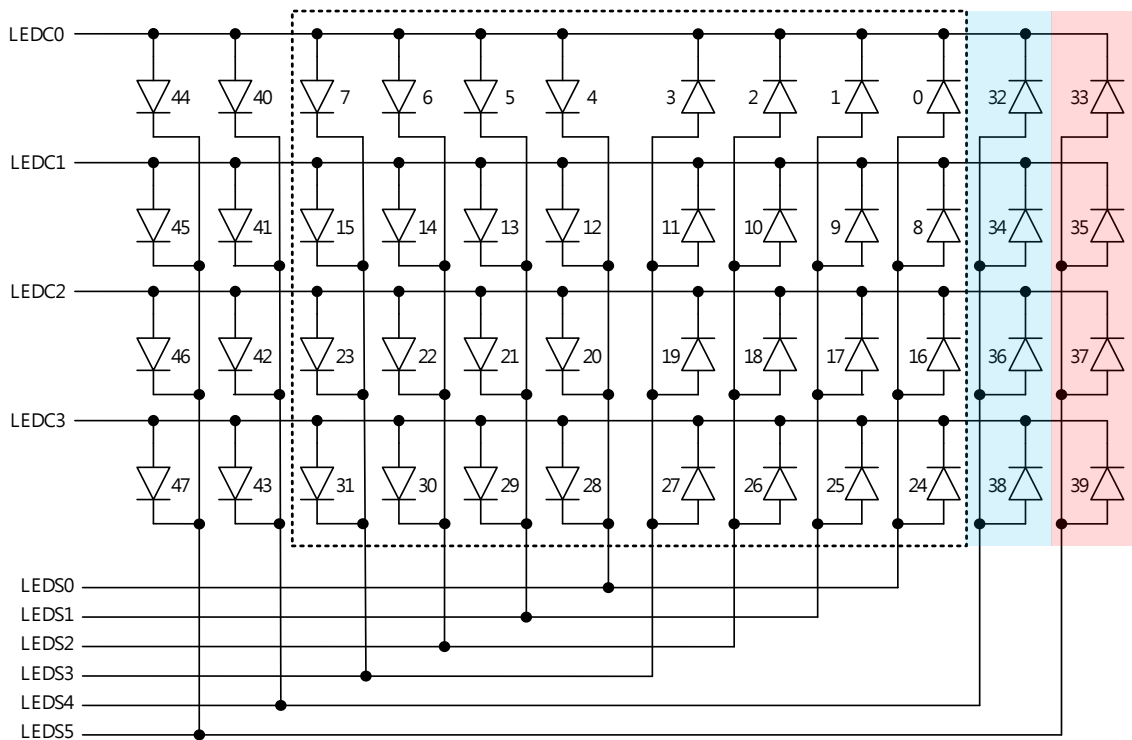


LEDEN	Duty	Matrix	Max pixels
0	Disable	-	-
1	1/8	4COM x 4SEG	32 (4x4x2)
2	1/9	4COM x 5SEG	40 (4x5x2)
3	1/10	4COM x 6SEG	48 (4x6x2)

LRAM Addr.	Bit 7	Bit 6	Bit 5	Bit 4	Bit 3	Bit 2	Bit 1	Bit 0
C800h	SEG3-COM0+	SEG2-COM0+	SEG1-COM0+	SEG0-COM0+	COM0-SEG3+	COM0-SEG2+	COM0-SEG1+	COM0-SEG0+
C801h	SEG3-COM1+	SEG2-COM1+	SEG1-COM1+	SEG0-COM1+	COM1-SEG3+	COM1-SEG2+	COM1-SEG1+	COM1-SEG0+
C802h	SEG3-COM2+	SEG2-COM2+	SEG1-COM2+	SEG0-COM2+	COM2-SEG3+	COM2-SEG2+	COM2-SEG1+	COM2-SEG0+
C803h	SEG3-COM3+	SEG2-COM3+	SEG1-COM3+	SEG0-COM3+	COM3-SEG3+	COM3-SEG2+	COM3-SEG1+	COM3-SEG0+
C804h	COM3-SEG5+	COM3-SEG4+	COM2-SEG5+	COM2-SEG4+	COM1-SEG5+	COM1-SEG4+	COM0-SEG5+	COM0-SEG4+
C805h	SEG5-COM3+	SEG5-COM2+	SEG5-COM1+	SEG5-COM0+	SEG4-COM3+	SEG4-COM2+	SEG4-COM1+	SEG4-COM0+

LRAM Addr.	Bit 7	Bit 6	Bit 5	Bit 4	Bit 3	Bit 2	Bit 1	Bit 0
C800h	7	6	5	4	3	2	1	0
C801h	15	14	13	12	11	10	9	8
C802h	23	22	21	20	19	18	17	16
C803h	31	30	29	28	27	26	25	24
C804h	39	38	37	36	35	34	33	32
C805h	47	46	45	44	43	42	41	40

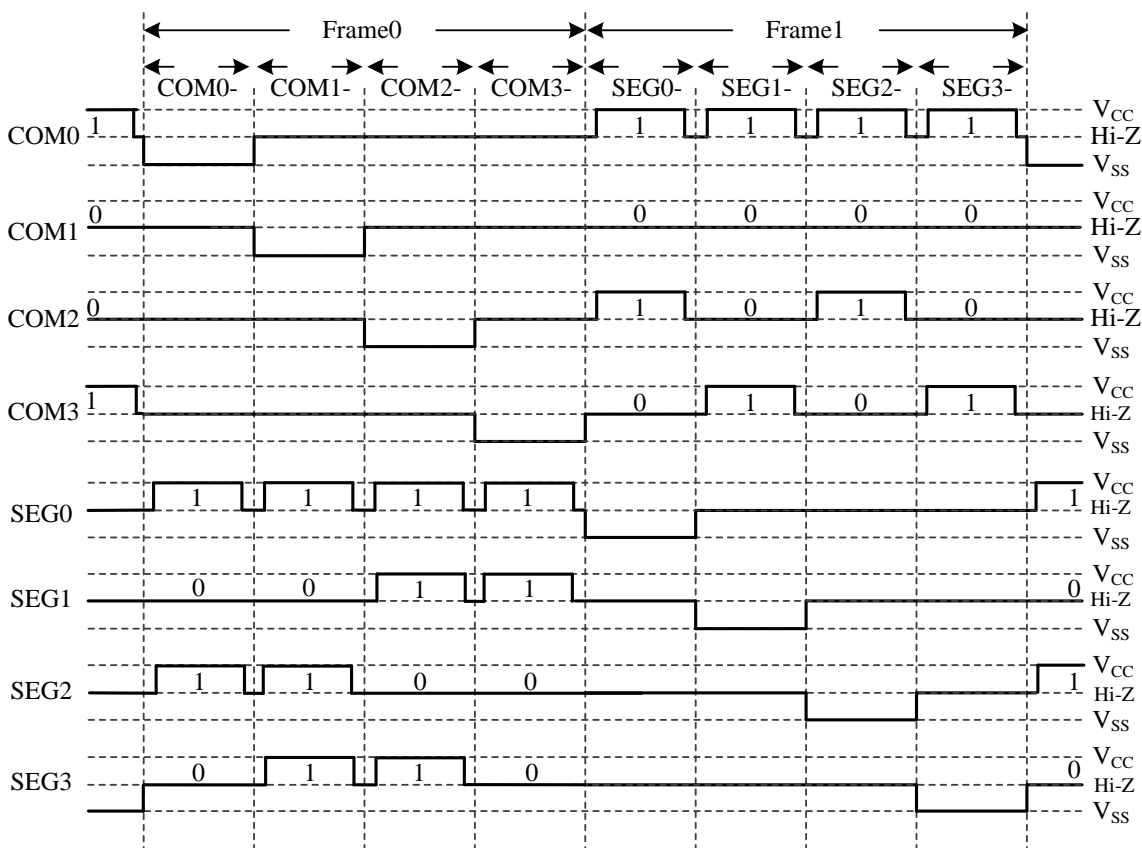
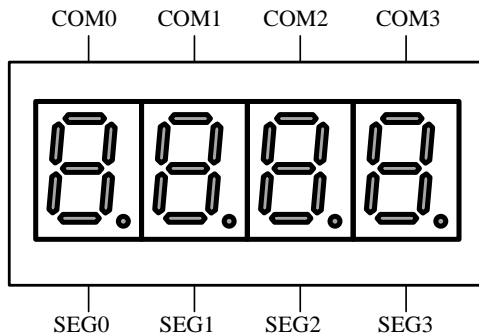
LED BiD matrix mode corresponding display configuration table



LED 4*6 BiD matrix

Note: LEDBRIT (B1h.2~0) : LED number 0~31, 40~47 brightness control
 LEDBRIT1 (B2h.2~0): LED number 32, 34, 36, 38 brightness control
 LEDBRIT2 (B2h.6~4): LED number 33, 35, 37, 39 brightness control

Application Circuit: 4COM x 4SEG (1/8 Duty)



◇ Example:

```

MOV    DPTR,#0C800h    ; LEDRAM0
MOV    A,#0FFh
MOVX   @DPTR, A        ; C800h = FFh

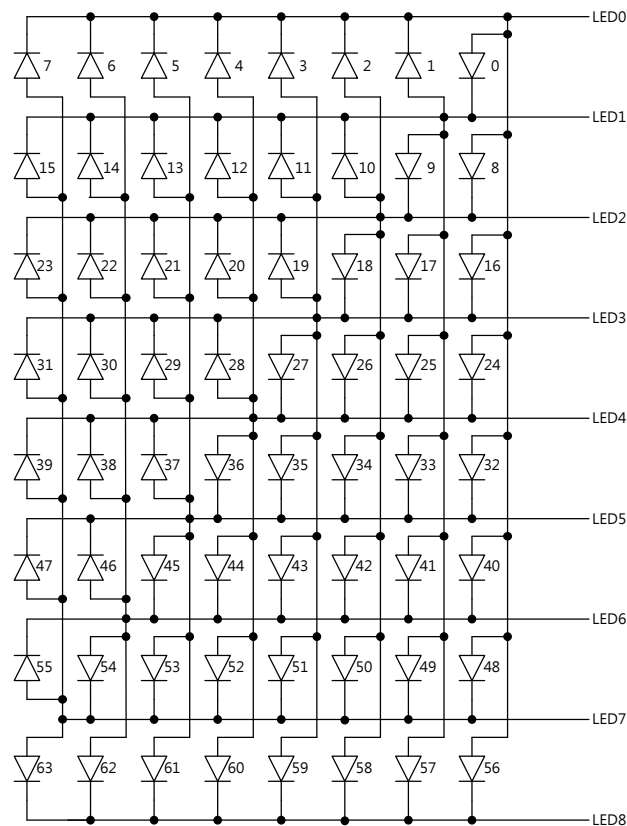
MOV    LEDCON,#056h    ; LED duty = 1/8
                        ; LEDPSC = FRC/32
                        ; Brightness=6
    
```

14.2 LED Dot Matrix (DMX) Mode

If LEDMTEN=1, LED dot matrix mode will enable. The LED dot matrix is a universal 8*8 dot matrix. Corresponding to LED0~LED8 ports, up to 8x8=56 LED dots can be configured to drive, the corresponding position of the LED is marked in the 8*8 dot matrix in the figure below Address, the display configuration in XRAM corresponds to the lighting status of the corresponding address (1 means lighting, 0 means not lighting). Support up to 64 lights LED drive. Using LEDCON3 to choose dot matrix 4*5, 5*6, 6*7, 7*8 or 8*8, the corresponding LED address remains unchanged. The brightness of the LED can be set by LCDBRIT2. When it is set to 1111b, it is the highest brightness. In addition, LEDBRITM is used to set the brightness and uniformity bit. When LEDBRITM=0, better display uniformity can be obtained. When LEDBRITM= 1, better display brightness can be obtained.

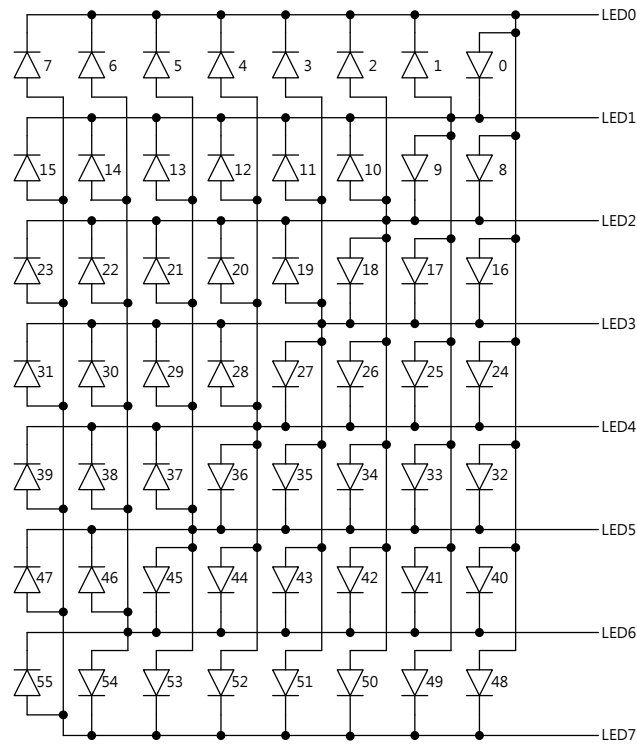
XRAM Addr.	Bit 7	Bit 6	Bit 5	Bit 4	Bit 3	Bit 2	Bit 1	Bit 0
C800h	7	6	5	4	3	2	1	0
C801h	15	14	13	12	11	10	9	8
C802h	23	22	21	20	19	18	17	16
C803h	31	30	29	28	27	26	25	24
C804h	39	38	37	36	35	34	33	32
C805h	47	46	45	44	43	42	41	40
C806h	55	54	53	52	51	50	49	48
C807h	63	62	61	60	59	58	57	56

LED Dot matrix mode corresponding display configuration table

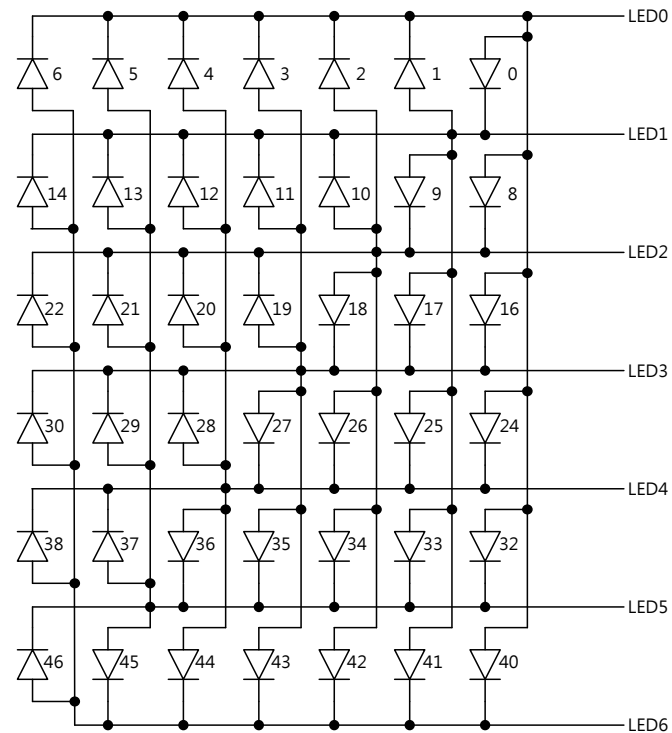


LED 8*8 dot matrix

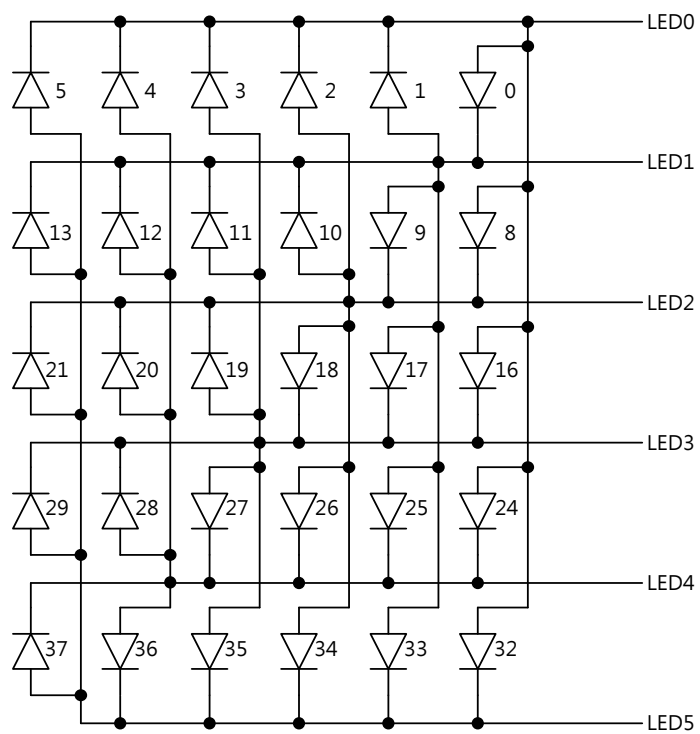
Note: LEDBRIT2 (B2h.6~4): LED number 0~63 brightness control



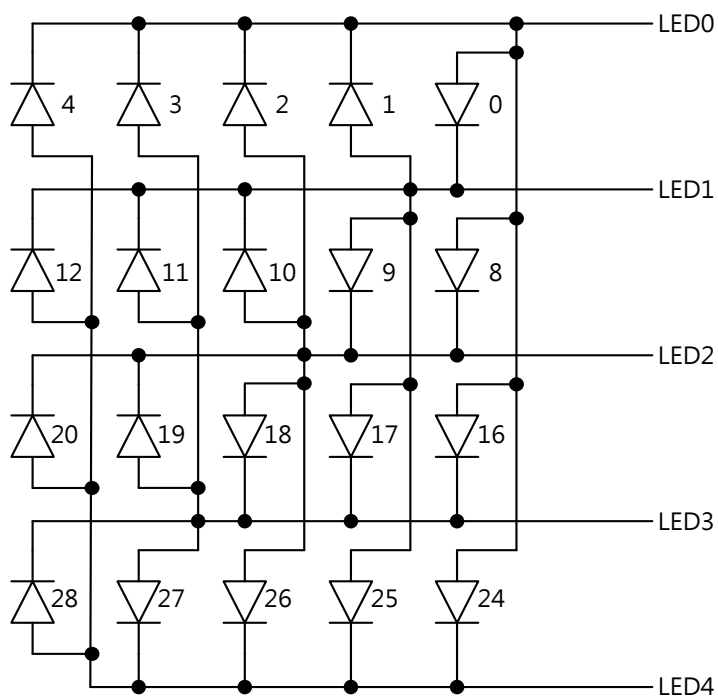
LED 7*8 dot matrix



LED 6*7 dot matrix



LED 5*6 dot matrix



LED 4*5 dot matrix

SFR B1h	Bit 7	Bit 6	Bit 5	Bit 4	Bit 3	Bit 2	Bit 1	Bit 0
LEDCON	LEDEN		LEDPSC		LEDHOLD	LEDBRIT		
R/W	R/W		R/W		R/W	R/W		
Reset	0	0	0	0	0	1	0	0

- B1h.7~6 **LEDEN**: LED BiD matrix mode enable and duty select
 00: LED BiD matrix mode disable
 01: LED 1/8 duty (4COM x 4SEG)
 10: LED 1/9 duty (4COM x 5SEG)
 11: LED 1/10 duty (4COM x 6SEG)
- B1h.5~4 **LEDPSC**: LED clock prescaler select
 00: LED clock is FRC divided by 64
 01: LED clock is FRC divided by 32
 10: LED clock is FRC divided by 16
 11: LED clock is FRC divided by 8
- B1h.3 **LEDHOLD**: Keep at 0, cannot be set to 1
- B1h.2~0 **LEDBRIT**:
 BiD matrix mode: LED number 0~31, 40~47 brightness control
 000: Level 0 (Darkest)
 ...
 111: Level 7 (Brightest)

SFR B2h	Bit 7	Bit 6	Bit 5	Bit 4	Bit 3	Bit 2	Bit 1	Bit 0
LEDCON2	LEDBRITM	LEDBRIT2			–	LEDBRIT1		
R/W	R/W	R/W			–	R/W		
Reset	0	1	0	0	–	1	0	0

- B2h.7 **LEDBRITM**: Brightness mode control
 0: Uniform brightness mode
 1: Brightness enhancement mode
- B2h.6~4 **LEDBRIT2**:
 BiD matrix mode: LED number 33, 35, 37, 39 brightness control
 Dot matrix mode: LED number 0~63 brightness control
 000: Level 0 (Darkest)
 ...
 111: Level 7 (Brightest)
- B2h.2~0 **LEDBRIT1**:
 BiD matrix mode: LED number 32, 34, 36, 38 brightness control
 000: Level 0 (Darkest)
 ...
 111: Level 7 (Brightest)

SFR D8h	Bit 7	Bit 6	Bit 5	Bit 4	Bit 3	Bit 2	Bit 1	Bit 0
CLKCON	SCKTYPE	FCKTYPE	STPSCK	STPPCK	STPFCK	SELFCK	CLKPSC	
R/W	R/W	R/W	R/W	R/W	R/W	R/W	R/W	
Reset	0	0	1	0	0	0	1	1

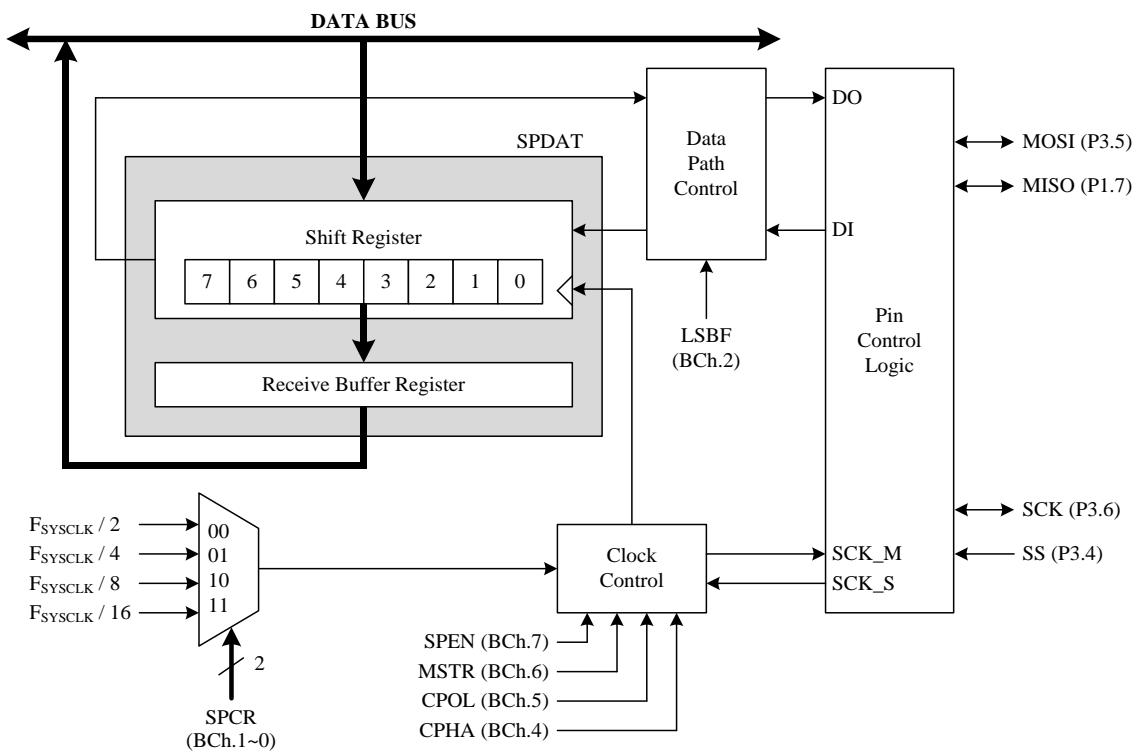
- D8h.3 **STPFCK**: Set 1 to stop Fast clock for power saving in Slow/Idle mode. This bit can be changed only in Slow mode.

15. Serial Peripheral Interface (SPI)

The Serial Peripheral Interface (SPI) module is capable of full-duplex, synchronous, serial communication between the MCU and peripheral devices. The peripheral devices can be other MCUs, A/D converter, sensors, or flash memory, etc. The SPI runs at a clock rate up to the system clock divided by two. Firmware can read the status flags, or the operation can be interrupt driven. Following figure shows the SPI system block diagram.

The features of the SPI module include:

- Master or Slave mode operation
- 3-wire or 4-wire mode operation
- Full-duplex operation
- Programmable transmit bit rate
- Single buffer receive
- Serial clock phase and polarity options
- MSB-first or LSB-first shifting selectable
- In master mode, SCK output frequency can be set by SFR SPCR
- In slave mode, SCK input frequency must be less than $0.95 \times F_{\text{SYSCLK}} / 4$



SPI Function Pin	PxMODx	Px.n SFR data	Pin State
Master Mode MISO	1	1	SPI Data Input
Master Mode SCK, MOSI	2	X	SPI Clock/Data Output (CMOS Push-Pull)
Slave Mode MISO	2	X	SPI Data Output (CMOS Push-Pull)
Slave Mode SCK, MOSI	1	1	SPI Clock/Data Input
SS	1	1	SPI Chip Selection

Pin Mode Setting for SPI

The four signals used by SPI are described below.

The **MOSI** is an output when SPI is operating in Master mode and an input when SPI is operating in Slave mode.

The **MISO** is an input when SPI is operating in Master mode and an output when SPI is operating in Slave mode. Data is transferred most-significant bit (MSB) or least-significant bit (LSB) first by setting the LSBF bit.

The **SCK** signal is an output from a Master Device and an input to Slave Devices. It is used to synchronize the data on the MOSI and MISO lines of Master and Slave. SPI generates the signal with eight programmable clock rates in Master mode.

The **SS** signal is a low active slave select pin. In 4-wire Slave mode, the signal is ignored when the Slave is not selected ($SS=1$). The SS is ignored when the SSDIS in SPCON is set in both Master and Slave modes. In Slave mode and the SSDIS is clear, the SPI active when SS stay low. For multiple-slave mode, only one slave device is selected at a time to avoid bus collision on the MISO line. In Master mode and the SSDIS is cleared, the MODF in SPSTA is set when this signal is low. For multiple-master mode, enable SS line to avoid multiple driving on MOSI and SCK lines from multiple masters.

Master Mode

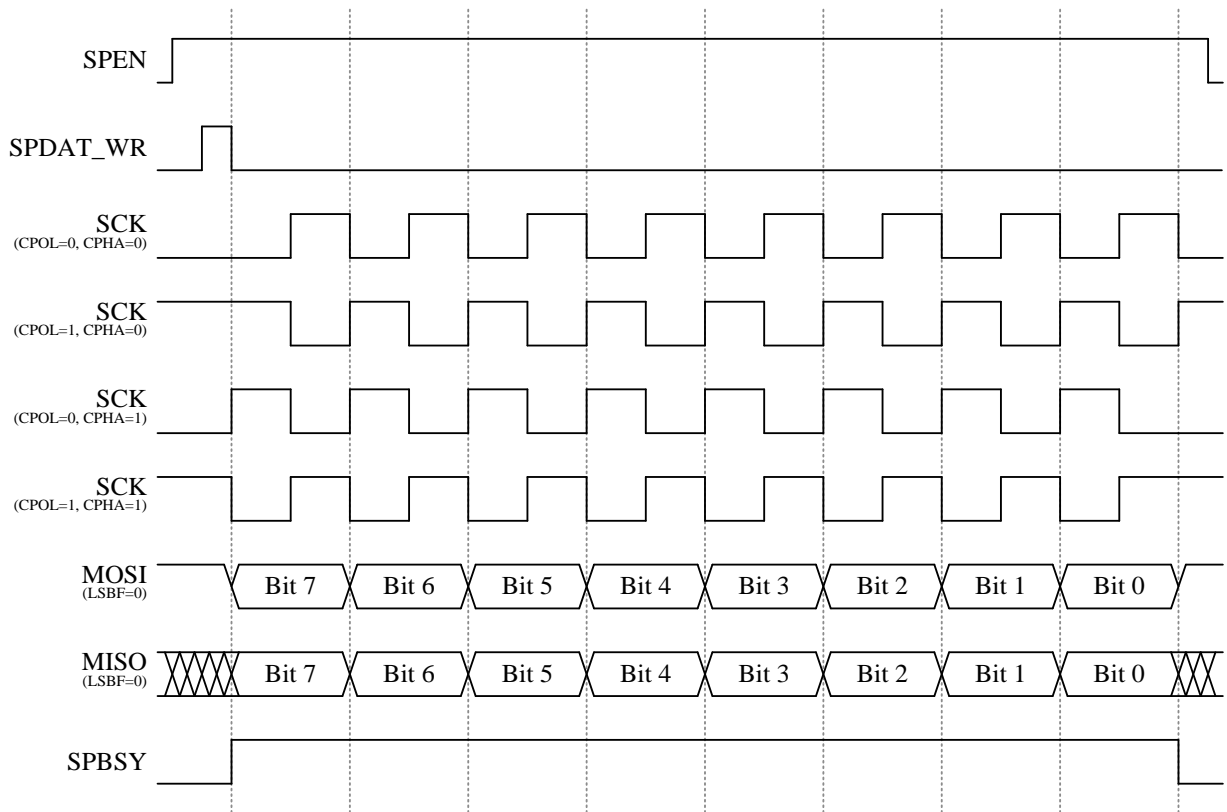
The SPI operates in Master mode by setting the MSTR bit in the SPCON. To start transmit, writing a data to the SPDAT. If the SPBSY bit is cleared, the data will be transferred to the shift register and starts shift out on the MOSI line. The data of the slave shift in from the MISO line at the same time. When the SPIF bit in the SPSTA becomes set at the end of the transfer, the receive data is written to receiver buffer and the RCVBF bit in the SPSTA is set. To prevent an overrun condition, software must read the SPDAT before next byte enters the shift register. The SPBSY bit will be set when writing a data to SPDAT to start transmit, and be cleared at the end of the eighth SCK period in Master mode. In master mode, SCK output frequency can be set by SFR SPCR.

Slave Mode

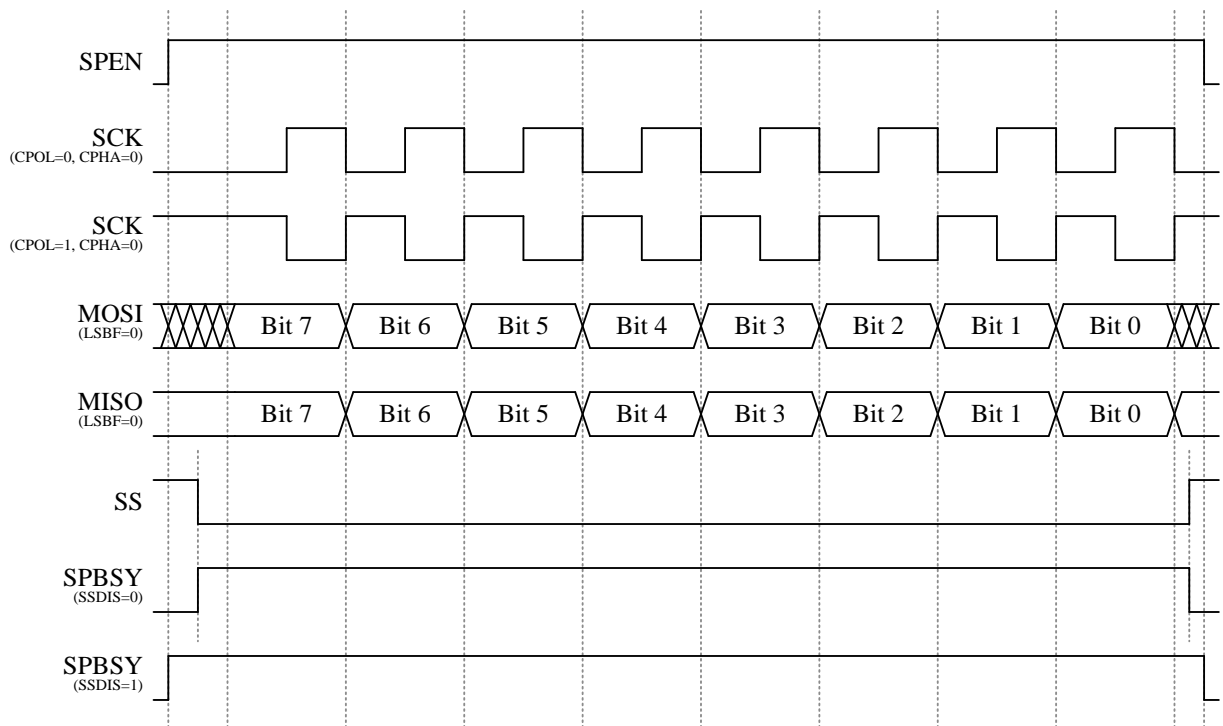
The SPI operates in Slave mode by clearing the MSTR bit in the SPCON. If the SSDIS is cleared, the transmission will start when the SS become low and remain low until the end of a data transfer. If the SSDIS is set, the transmission will start when the SPEN bit in the SPCON is set, and don't care the SS. The data from a master will shift into the shift register through the MOSI line, and shift out from the shift register on the MISO line. When a byte enters the shift register, the data will be transferred to receiver buffer if the RCVBF is cleared. If the RCVBF is set, the newer receive data will not be transferred to receiver buffer and the RCVOVF bit is set. After a byte enters the shift register, the SPIF and RCVBF bits are set. To prevent an overrun condition, software must read the SPDAT or write 0 to RCVBF before next byte enters the shift register. In Slave mode, the SPBSY bit refers to the SS pin when the SSDIS bit is cleared, and refer to the SPEN bit when SSDIS bit is set. The SCK frequency allowed to be input in slave mode must be less than $0.95 \times \text{system frequency} / 4$ ($0.95 \times F_{\text{SYSCLK}} / 4$). That is, if the system frequency is 18.432MHz, the SCK frequency input to the slave must be less than 4.3776MHz.

Serial Clock

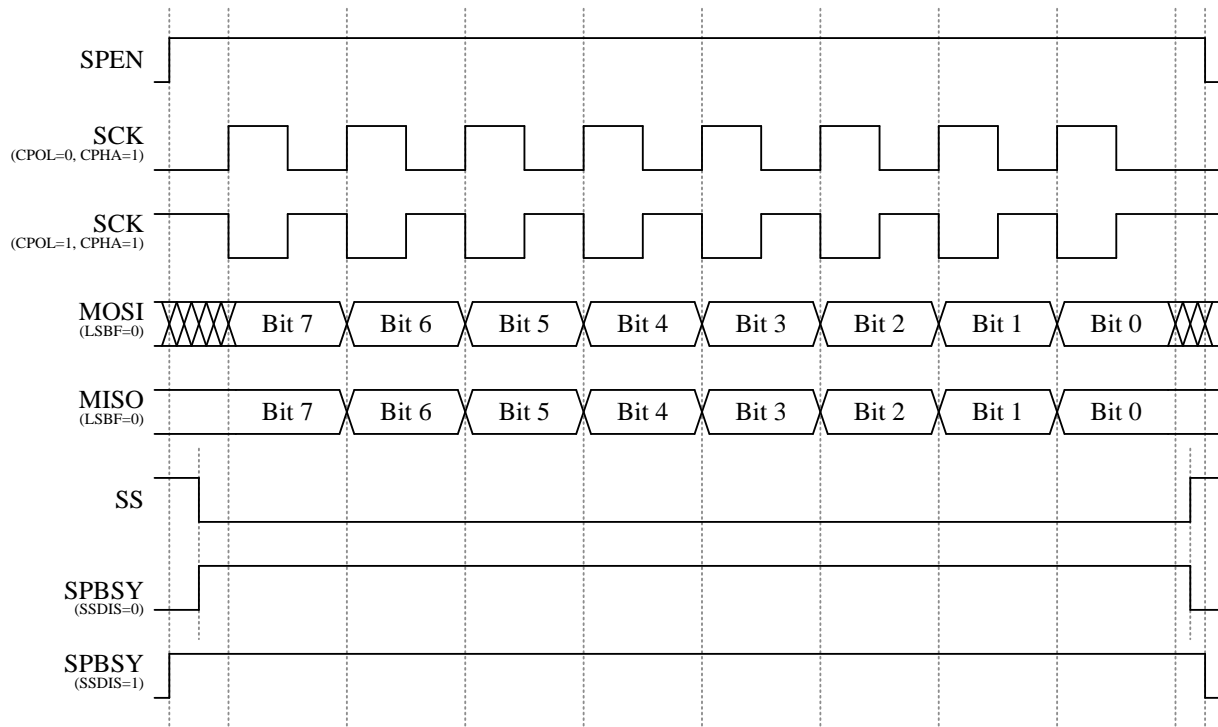
The SPI has four clock types by setting the CPOL and CPHA bits in the SPCON register. The CPOL bit defines the level of the SCK in SPI idle state. The level of the SCK in idle state is low when the CPOL bit is cleared, and is high when the CPOL bit is set. The CPHA bit defines the edges used to sample and shift data. The SPI sample data on the first edge of SCK period and shift data on the second edge of SCK period when the CPHA bit is cleared. The SPI sample data on the second edge of SCK period and shift data on first edge of SCK period when the CPHA bit is set. The figures below show the detail timing in Master and Slave modes. Both Master and Slave devices must be configured to use the same clock type before the SPEN bit is set. The SPCR controls the Master mode serial clock frequency. This register is ignored when operating in Slave mode. The SPI clock can select System clock divided by 2, 4, 8, or 16 in Master mode.



Master Mode Timing



Slave Mode Timing (CPHA=0)


Slave Mode Timing (CPHA=1)

In both Master and Slave modes, the SPIF bit is set by H/W at the end of a data transfer and generates an interrupt if SPI interrupt is enabled. The SPIF bit is cleared automatically when the program performs the interrupt service routines. S/W can also write 0 to clear this flag. If write data to SPDAT when the SPBSY is set, the WCOL bit will be set by H/W and generates an interrupt if SPI interrupt is enabled. When this occurs, the data write to SPDAT will be ignored, and shift register will not be written. Write 0 to this bit or when SPBSY is cleared and rewrite data to SPDAT will clear this flag. The MODF bit is set when SSDIS is cleared and SS pin is pulled low in Master mode. If SPI interrupt is enabled, an interrupt will be generated. When this bit is set, the SPEN and MSTR in SPCON will be cleared by H/W. Write 0 to this bit will clear this flag.

SFR BCh	Bit 7	Bit 6	Bit 5	Bit 4	Bit 3	Bit 2	Bit 1	Bit 0
SPCON	SPEN	MSTR	CPOL	CPHA	SSDIS	LSBF	SPCR	
R/W	R/W	R/W	R/W	R/W	R/W	R/W	R/W	
Reset	0	0	0	0	0	0	0	0

- BCh.7 **SPEN**: SPI enable
0: SPI disable 1: SPI enable
- BCh.6 **MSTR**: Master mode enable
0: Slave mode 1: Master mode
- BCh.5 **CPOL**: SPI clock polarity
0: SCK is low in idle state
1: SCK is high in idle state
- BCh.4 **CPHA**: SPI clock phase
0: Data sample on first edge of SCK period
1: Data sample on second edge of SCK period
- BCh.3 **SSDIS**: SS pin disable
0: Enable SS pin 1: Disable SS pin
- BCh.2 **LSBF**: LSB first
0: MSB first
1: LSB first
- BCh.1~0 **SPCR**: SPI clock rate
00: $F_{SYSCLK}/2$
01: $F_{SYSCLK}/4$
10: $F_{SYSCLK}/8$
11: $F_{SYSCLK}/16$

SFR BDh	Bit 7	Bit 6	Bit 5	Bit 4	Bit 3	Bit 2	Bit 1	Bit 0
SPSTA	SPIF	WCOL	MODF	RCVOVF	RCVBF	SPBSY	–	–
R/W	R/W	R/W	R/W	R/W	R/W	R	–	–
Reset	0	0	0	0	0	0	–	–

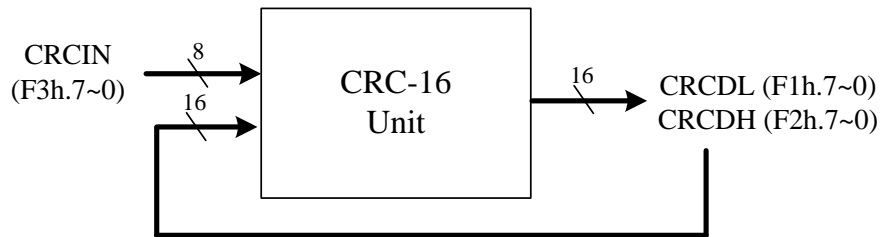
- BDh.7 **SPIF**: SPI interrupt flag
This is set by H/W at the end of a data transfer. Cleared by H/W when an interrupt is vectored into. Writing 0 to this bit will clear this flag.
- BDh.6 **WCOL**: Write collision interrupt flag
Set by H/W if write data to SPDAT when SPBSY is set. Write 0 to this bit or rewrite data to SPDAT when SPBSY is cleared will clear this flag.
- BDh.5 **MODF**: Mode fault interrupt flag
Set by H/W when SSDIS is cleared and SS pin is pulled low in Master mode. Write 0 to this bit will clear this flag. When this bit is set, the SPEN and MSTR in SPCON will be cleared by H/W.
- BDh.4 **RCVOVF**: Received buffer overrun flag
Set by H/W at the end of a data transfer and RCVBF is set. Write 0 to this bit or read SPDAT register will clear this flag.
- BDh.3 **RCVBF**: Receive buffer full flag
Set by H/W at the end of a data transfer. Write 0 to this bit or read SPDAT register will clear this flag.
- BDh.2 **SPBSY**: SPI busy flag
Set by H/W when a SPI transfer is in progress.

SFR BEh	Bit 7	Bit 6	Bit 5	Bit 4	Bit 3	Bit 2	Bit 1	Bit 0
SPDAT	SPDAT							
R/W	R/W							
Reset	0	0	0	0	0	0	0	0

- BEh.7~0 **SPDAT**: SPI transmit and receive data
The SPDAT register is used to transmit and receive data. Writing data to SPDAT place the data into shift register and start a transfer when in master mode. Reading SPDAT returns the contents of the receive buffer.

16. Cyclic Redundancy Check (CRC)

The chip supports an integrated 16-bit Cyclic Redundancy Check function. The Cyclic Redundancy Check (CRC) calculation unit is an error detection technique test algorithm and uses to verify data transmission or storage data correctness. The CRC calculation takes a 8-bit data stream or a block of data as input and generates a 16-bit output remainder. The data stream is calculated by the same generator polynomial.



CRC Block Diagram

The CRC generator provides the 16-bit CRC result calculation based on the CRC-16-IBM polynomial. In this CRC generator, there are only one polynomial available for the numeric values calculation. It can't support the 16-bit CRC calculations based on any other polynomials. Each write operation to the CRCIN register creates a combination of the previous CRC value stored in the CRCDH and CRCDL registers. It will take one MCU instruction cycle to calculate.

CRC-16-IBM (Modbus) Polynomial representation: $X^{16} + X^{15} + X^2 + 1$

SFR F1h	Bit 7	Bit 6	Bit 5	Bit 4	Bit 3	Bit 2	Bit 1	Bit 0
CRCDL	CRCDL							
R/W	R/W							
Reset	1	1	1	1	1	1	1	1

F1h.7~0 **CRCDL**: 16-bit CRC checksum data bit 7~0

SFR F2h	Bit 7	Bit 6	Bit 5	Bit 4	Bit 3	Bit 2	Bit 1	Bit 0
CRCDH	CRCDH							
R/W	R/W							
Reset	1	1	1	1	1	1	1	1

F2h.7~0 **CRCDL**: 16-bit CRC checksum data bit 15~8

SFR F3h	Bit 7	Bit 6	Bit 5	Bit 4	Bit 3	Bit 2	Bit 1	Bit 0
CRCIN	CRCIN							
W	W							
Reset	-	-	-	-	-	-	-	-

F3h.7~0 **CRCIN**: CRC input data register

17. Multiplier and divider

The chip provide multiplier and divider have the following functions. The 8 bit operation is fully compatible with industry standard 8051.

- 8 bits × 8 bits = 16 bit (standard 8051)
- 8 bits ÷ 8 bits = 8 bits, 8 bits remainder (standard 8051)
- 16 bits × 16 bits = 32 bit
- 16 bits ÷ 16 bits = 16 bits, 16 bits remainder
- 32 bits ÷ 16 bits = 32 bits, 16 bits remainder

No matter 8bit / 16bit / 32bit operation, it's easy to execute by MUL AB and DIV AB instruction. There is extra SFR EXA/EXA2/EXA3/EXB for 16bit / 32bit multiply and divide operation.

For 8 bit multiplier/divider operation, be sure SFR bit muldiv16=0 and div32=0.

For 16 bit multiplier operation, multiplicand, multiplier and product as follows. 16 bit multiplier takes 16 System clock cycles to execute.

Condition	SFR bit muldiv16=1 and div32=0			
Multiplication	Byte3	Byte2	Byte1	Byte0
Multiplicand	-	-	EXA	A
Multiplier	-	-	EXB	B
Product	EXB	B	A	EXA
OV	Product (EXB or B) !=0			-

For 16 bit divider operation, dividend, divisor, quotient, remainder read as follows. 16 bit divider takes 16 System clock cycles to execute.

Condition	SFR bit muldiv16=1 and div32=0			
Division	Byte3	Byte2	Byte1	Byte0
Dividend	-	-	EXA	A
Divisor	-	-	EXB	B
Quotient	-	-	A	EXA
Remainder	-	-	B	EXB
OV	Divisor EXB = B =0			

For 32 bits ÷ 16 bits operation, dividend, divisor, quotient, remainder read as follows. 32 bit divider takes 32 System clock cycles to execute.

Condition	SFR bit muldiv16=1 and div32=1			
Division	Byte3	Byte2	Byte1	Byte0
Dividend	EXA3	EXA2	EXA	A
Divisor	-	-	EXB	B
Quotient	A	EXA	EXA2	EXA3
Remainder	-	-	B	EXB
OV	Divisor EXB=B =0			

SFR CEh	Bit 7	Bit 6	Bit 5	Bit 4	Bit 3	Bit 2	Bit 1	Bit 0
EXA2	EXA2							
R/W	R/W	R/W	R/W	R/W	R/W	R/W	R/W	R/W
Reset	0	0	0	0	0	0	0	0

CEh.7~0 **EXA2:** Expansion accumulator 2

SFR CFh	Bit 7	Bit 6	Bit 5	Bit 4	Bit 3	Bit 2	Bit 1	Bit 0
EXA3	EXA3							
R/W	R/W	R/W	R/W	R/W	R/W	R/W	R/W	R/W
Reset	0	0	0	0	0	0	0	0

CFh.7~0 **EXA3:** Expansion accumulator 3

SFR E6h	Bit 7	Bit 6	Bit 5	Bit 4	Bit 3	Bit 2	Bit 1	Bit 0
EXA	EXA							
R/W	R/W	R/W	R/W	R/W	R/W	R/W	R/W	R/W
Reset	0	0	0	0	0	0	0	0

E6h.7~0 **EXA:** Expansion accumulator

SFR E7h	Bit 7	Bit 6	Bit 5	Bit 4	Bit 3	Bit 2	Bit 1	Bit 0
EXB	EXB							
R/W	R/W	R/W	R/W	R/W	R/W	R/W	R/W	R/W
Reset	0	0	0	0	0	0	0	0

E7h.7~0 **EXB:** Expansion B register

SFR F7h	Bit 7	Bit 6	Bit 5	Bit 4	Bit 3	Bit 2	Bit 1	Bit 0
AUX2	WDTE		PWRSVAV	VBGOUT	DIV32	IAPTE		MULDIV16
R/W	R/W	R/W	R/W	R/W	R/W	R/W		R/W
Reset	0	0	0	0	0	0	0	0

F7h.3 **DIV32:**

only active when MULDVI16 =1

0: instruction DIV as 16/16 bit division operation

1: instruction DIV as 32/16 bit division operation

F7h.0 **MULDIV16:**

0: instruction MUL/DIV as 8*8, 8/8 operation

1: instruction MUL/DIV as 16*16, 16/16 or 32/16 operation

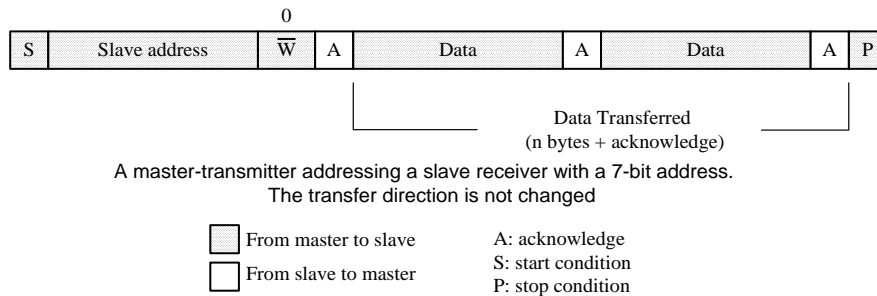
ARITHMETIC				
Mnemonic	Description	byte	cycle	opcode
MUL AB	Multiply A by B	1	8/16	A4
DIV AB	Divide A by B	1	8/16/32	84

18. Master I²C Interface

Master I²C interface transmit mode:

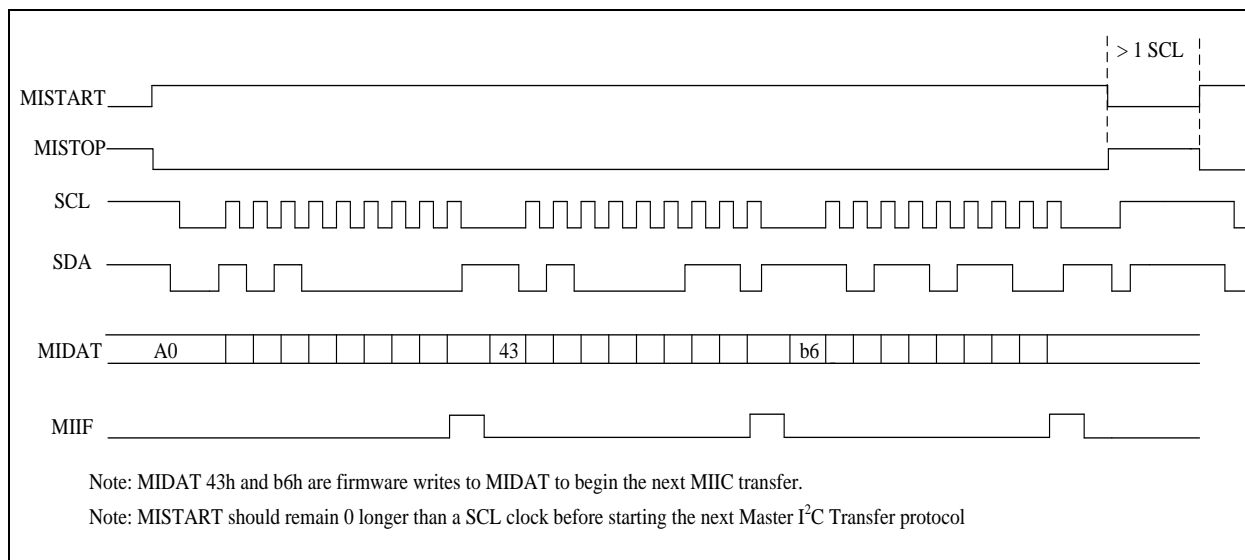
At the beginning write slave address and direction bit to MIDAT and set MISTART. After the START condition (MISTART), the 7 bits slave address and one bit direction bit are sent. When MIIF convert to 1, address and direction bit transmission was complete. After sending the address and direction bit, user should clear MIIF and write MIDAT to start first data transmission. When MIIF convert to 1, data transfer to slave was complete. User can write MIDAT again to transfer next data to slave. Set MISTOP to finish transmit mode.

MISTART must remain at 1 for the next transfer. After the final data transmit/receive, set MISTOP to finish transmit/receive protocol. MISTART should remain 0 longer than a SCL clock before starting the next Master I²C protocol. SCL clock can be adjusted via MICR.



Master I²C Transmit flow:

- (1) Write slave address and direction bit to MIDAT
- (2) Clear MISTOP and set MISTART to start I²C transmission
- (3) Wait until MIIF convert to 1 (interrupt will be issued according to the user's request) and Clear MIIF
- (4) Write data to MIDAT to start next transfer (MISTART must remain at 1)
- (5) Wait until MIIF convert to 1 (interrupt will be issued according to the user's request) and Clear MIIF, Loop (4) ~ (5) for next transfer.
- (6) Clear MISTART and set MISTOP to stop the I²C transfer



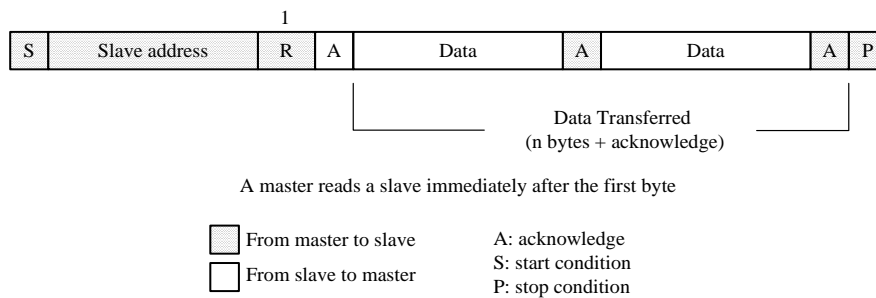
Master Transmit Timing

Note: MISTART should remain 0 longer than a SCL period before starting the next Master I²C protocol.

Master I²C interface Receive mode:

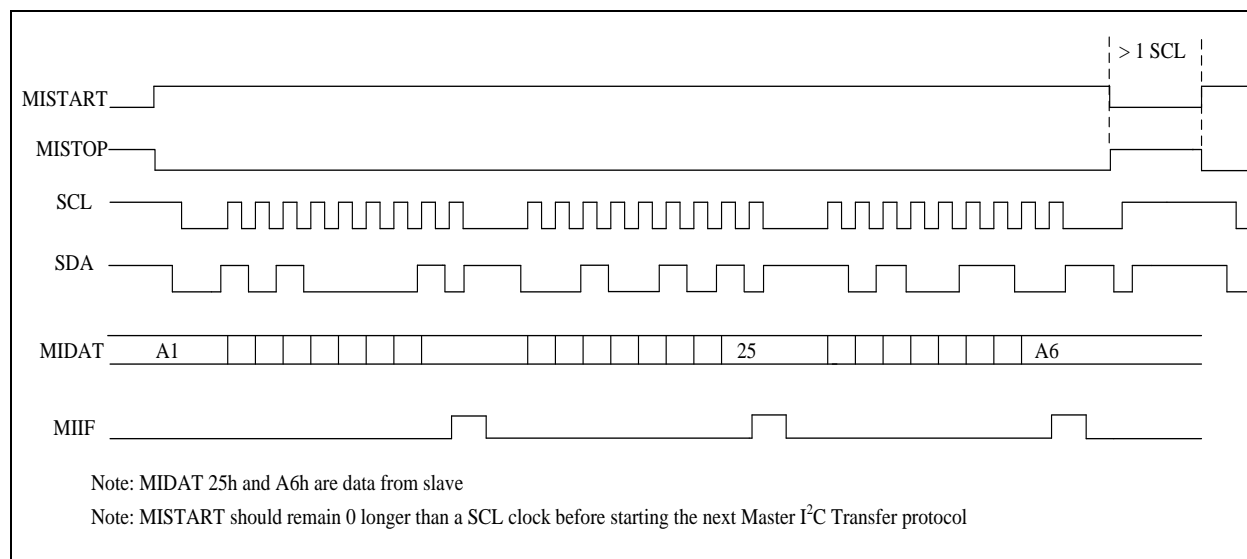
At the beginning write slave address and direction bit to MIDAT and set MISTART. After the START condition (MISTART), the 7 bits slave address and one bit direction bit are sent. When MIIF convert to 1, address and direction bit transmission was complete. After sending the address and direction bit, user should clear MIIF and read MIDAT to start first receive data (The first reading of MIDAT does not represent the data returned by the slave). When MIIF convert to 1, data receive from slave was complete. User can read MIDAT to get data from slave, and start next receive. Set MISTOP to finish receive mode.

MISTART must remain at 1 for the next transfer. After final data transmit/receive, set MISTOP to finish transmit/receive protocol. MISTART should remain 0 longer than a SCL clock before starting the next Master I²C protocol. SCL clock can be adjusted via MICR.



Master I²C Receive flow:

- (1) Write slave address and direction bit to MIDAT
- (2) Clear MISTOP and set MISTART to start I²C transmission
- (3) Wait until MIIF convert to 1 (interrupt will be issued according to the user's request), Clear MIIF
- (4) Read data from MIDAT to start first receive data
(receiving data has not been completed at this time, and the read MIDAT should be discarded)
- (5) Wait until MIIF convert to 1, Clear MIIF
- (6) Read slave data from MIDAT and Loop (5) ~ (6) to receive next data
- (7) Set MISTOP to stop the I²C transfer



Master Receive Timing

I ² C Function Pin	P3modx	P3.n SFR data	Pin State
I ² C Master SCL	0	X	Clock Output (Open Drain Output)
	2	X	Clock Output (CMOS Push-Pull)
I ² C Master/Slaver SDA	0	1	DATA (Pull-up)

Pin Mode Setting for Master I²C

SFR A9h	Bit 7	Bit 6	Bit 5	Bit 4	Bit 3	Bit 2	Bit 1	Bit 0
INTE1	PWMIE	I2CE	ES2	SPIE	ADTKIE	EXLVDIE	P1IE	TM3IE
R/W	R/W	R/W	R/W	R/W	R/W	R/W	R/W	R/W
Reset	0	0	0	0	0	0	0	0

A9h.6 **I2CE**: I²C interrupt enable
 0: Disable I²C interrupt
 1: Enable I²C interrupt

SFR E1h	Bit 7	Bit 6	Bit 5	Bit 4	Bit 3	Bit 2	Bit 1	Bit 0
MICON	MIEN	MIACKO	MIIF	MIACKI	MISTART	MISTOP	MICR	
R/W	R/W	R/W	R/W	R	R/W	R/W	R/W	R/W
Reset	0	0	0	0	0	1	0	0

E1h.7 **MIEN**: Master I²C enable
 0: disable 1: enable

E1h.6 **MIACKO**: When Master I²C receive data, send acknowledge to I²C Bus
 0: ACK to slave device 1: NACK to slave device

E1h.5 **MIIF**: Master I²C Interrupt flag
 When the master I²C sends or receives a byte, it is set by H/W. Writing "0" to this bit will clear the flag

E1h.4 **MIACKI**: When Master I²C transfer, acknowledgement form I²C bus (read only)
 0: ACK received 1: NACK received

E1h.3 **MISTART**: Master I²C Start bit
 1: start I²C bus transfer

E1h.2 **MISTOP**: Master I²C Stop bit
 1: send STOP signal to stop I²C bus

E1h.1~0 **MICR**: Master I²C (SCL) clock frequency selection
 00: Fsys/4 (ex. If Fsys=18MHz, I²C clock is 4.5M Hz)
 01: Fsys/16 (ex. If Fsys=18MHz, I²C clock is 1.1M Hz)
 10: Fsys/64 (ex. If Fsys=18MHz, I²C clock is 281K Hz)
 11: Fsys/256 (ex. If Fsys=18MHz, I²C clock is 70K Hz)

SFR E2h	Bit 7	Bit 6	Bit 5	Bit 4	Bit 3	Bit 2	Bit 1	Bit 0
MIDAT	MIDAT							
R/W	R/W	R/W	R/W	R/W	R/W	R/W	R/W	R/W
Reset	0	0	0	0	0	0	0	0

E2h.7~0 **MIDAT**: Master I²C data shift register
 (W): After Start and before Stop condition, write this register will resume transmission to I²C bus
 (R): After Start and before Stop condition, read this register will resume receiving from I²C bus

SFR EAh	Bit 7	Bit 6	Bit 5	Bit 4	Bit 3	Bit 2	Bit 1	Bit 0
SICON	MIIE	TXDIE	RCD2IE	RCD1IE	–	TXDF	RCD2F	RCD1F
R/W	R/W	R/W	R/W	R/W	–	R/W	R/W	R/W
Reset	0	0	0	0	–	1	0	0

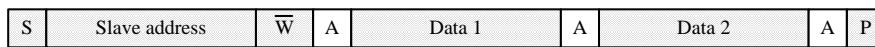
EAh.7 **MIIE**: I²C Master interrupt enable
 0: disable 1: enable

19. Slave I²C Interface

The chip provides Slave I²C interface receive protocol as following. Slave I²C module allow to receive one or two byte data each time after start condition. Before receiving DATA1, be aware that RCD1F must be 0. After DATA1 reception is completed, RCD1F will be converted to 1 and an interrupt will be issued according to the user's request. User can use firmware to clear RCD1F before receiving next DATA1 again. User can write RCD1F to 0 to clear RCD1F. DATA2 and RCD2F operate in the same way as DATA1 and RCD1. After DATA1 or DATA2 reception is completed, the Master side should restart the transfer protocol to transmit the next DATA1 and DATA2.

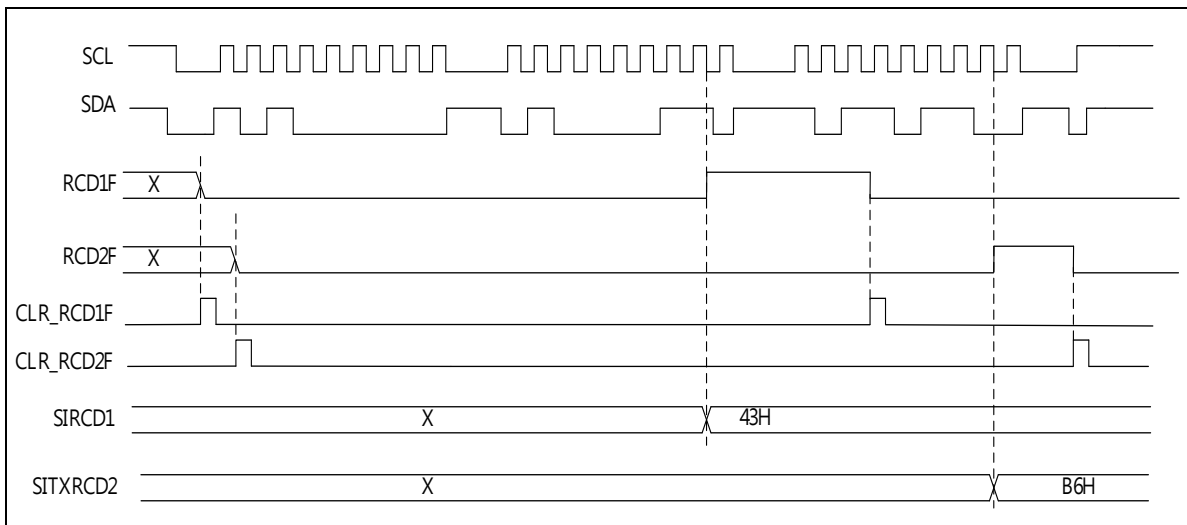


Slave I²C Receive Byte protocol



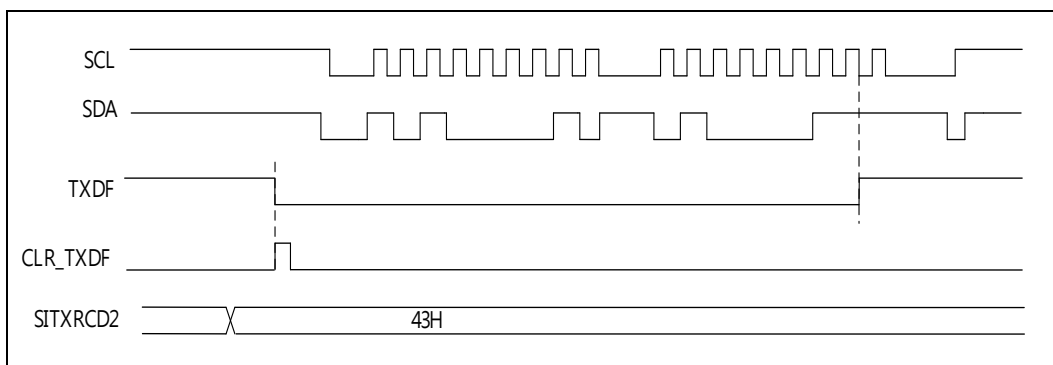
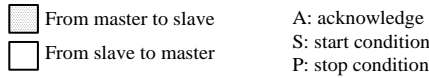
Slave I²C Receive Two Byte protocol

- | | |
|---|--------------------|
| <input type="checkbox"/> From master to slave | A: acknowledge |
| <input type="checkbox"/> From slave to master | S: start condition |
| | P: stop condition |



Slave Receive Timing

The chip provides Slave I²C interface transmission protocol as following. Slave I²C module allow to transmit one byte data each time after start condition. Before data transmitting, be aware that TXDF must be 0. After data transmission is completed, TXDF will be converted to 1 and an interrupt will be issued according to the user's request. User can use firmware to clear TXDF before transmitting next data again. User can write TXDF to 0 to clear TXDF. After each transmission is completed, the host should restart the transmission protocol to transmit the next data.


 Slave I²C Transmit protocol

Slave Transmit Timing

I ² C Function Pin	P3MOD _x	P3.n SFR data	Pin State
I ² C Slave SCL	1	1	Clock input
I ² C Master/Slaver SDA	0	1	DATA (Pull-up)

Pin Mode Setting for Slave I²C

SFR A9h	Bit 7	Bit 6	Bit 5	Bit 4	Bit 3	Bit 2	Bit 1	Bit 0
INTE1	PWMIE	I2CE	ES2	SPIE	ADTKIE	EXLVDIE	P1IE	TM3IE
R/W	R/W	R/W	R/W	R/W	R/W	R/W	R/W	R/W
Reset	0	0	0	0	0	0	0	0

A9h.6 **I2CE**: I²C interrupt enable
 0: Disable I²C interrupt
 1: Enable I²C interrupt

SFR E9h	Bit 7	Bit 6	Bit 5	Bit 4	Bit 3	Bit 2	Bit 1	Bit 0
SIADR	SA							SIEN
R/W	R/W	R/W	R/W	R/W	R/W	R/W	R/W	R/W
Reset	0	1	1	0	0	1	0	0

E9h.7~1 **SA**: Slave I²C address assigned

E9h.0 **SIEN**: Slave I²C enable
 0: disable
 1: enable

SFR EAh	Bit 7	Bit 6	Bit 5	Bit 4	Bit 3	Bit 2	Bit 1	Bit 0
SICON	MIIE	TXDIE	RCD2IE	RCD1IE	–	TXDF	RCD2F	RCD1F
R/W	R/W	R/W	R/W	R/W	–	R/W	R/W	R/W
Reset	0	0	0	0	–	1	0	0

- EAh.6 **TXDIE**: Slave I²C transmission completed interrupt enable
 0: disable
 1: enable
- EAh.5 **RCD2IE**: Slave I²C DATA2(SITXRCD2) reception completed interrupt enable
 0: disable
 1: enable
- EAh.4 **RCD1IE**: Slave I²C DATA1(SIRCD1) reception completed interrupt enable
 0: disable
 1: enable
- EAh.2 **TXDF**: Slave I²C transmission completed interrupt flag
 Set by H/W when Slave I²C transmission complete, write 0 to clear it
- EAh.1 **RCD2F**: Slave I²C DATA2(SITXRCD2) reception completed interrupt flag
 Set by H/W when Slave I²C DATA2(SITXRCD2) reception complete, write 0 to clear it
- EAh.0 **RCD1F**: Slave I²C DATA1(SIRCD1) reception completed interrupt flag
 Set by H/W when Slave I²C DATA1(SIRCD1) reception complete, write 0 to clear it

SFR EBh	Bit 7	Bit 6	Bit 5	Bit 4	Bit 3	Bit 2	Bit 1	Bit 0
SIRCD1	SIRCD1							
R/W	R	R	R	R	R	R	R	R
Reset	–	–	–	–	–	–	–	–

- EBh.7~0 **SIRCD1**: Slave I²C data receive register1 (DATA1)

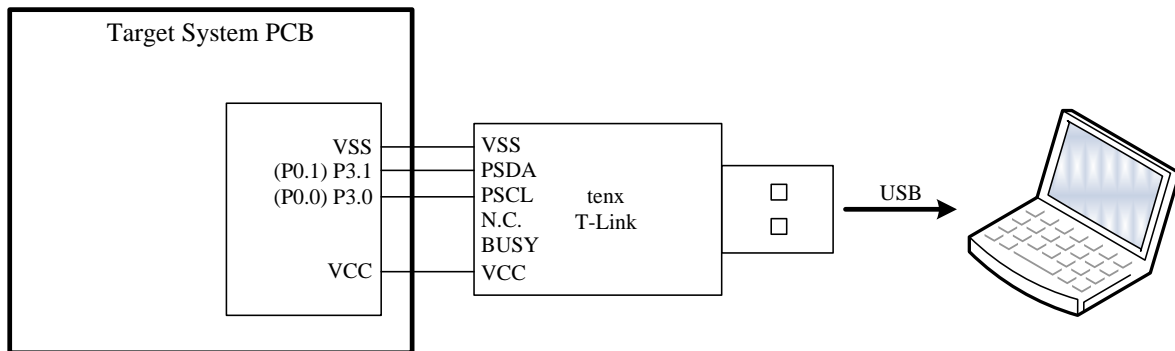
SFR ECh	Bit 7	Bit 6	Bit 5	Bit 4	Bit 3	Bit 2	Bit 1	Bit 0
SITXRCD2	SITXRCD2							
R/W	R/W	R/W	R/W	R/W	R/W	R/W	R/W	R/W
Reset	–	–	–	–	–	–	–	–

- ECh.7~0 **SITXRCD2**: Slave I²C transmit and receive data register
 Read: Slave I²C data receive register2 (DATA2)
 Write: Slave I²C data transmission register (TXD)

20. In Circuit Emulation (ICE) Mode

This device can support the In Circuit Emulation Mode. To use the ICE Mode, user just needs to connect P3.0 and P3.1 pin to the tenx proprietary EV Module. The benefit is that user can emulate the whole system without changing the on board target device. But there are some limits for the ICE mode as below.

1. The device must be un-protect.
2. The device's P3.0 and P3.1 pins must work in input Mode (P3MOD0 = 0/1 and P3MOD1=0/1).
3. The Program Memory's addressing space 6C00h~6FFFh and 0033h~003Ah are occupied by tenx EV module. So user Program cannot access these spaces.
4. The T-Link communication pin's function cannot be emulated.
5. The P3.0 and P3.1 pin's can be replaced by P0.0 and P0.1.
(P0.0/P0.1 can only support ICE function, not for Writer)
6. SFR PWRSAV (F7h.5) will be cleared when use T-Link module.



SFR & CFGW MAP

Adr	RST	NAME	Bit 7	Bit 6	Bit 5	Bit 4	Bit 3	Bit 2	Bit 1	Bit 0
80h	0000-0000	P0	P0.7	P0.6	P0.5	P0.4	P0.3	P0.2	P0.1	P0.0
81h	0000-0111	SP	SP							
82h	0000-0000	DPL	DPL							
83h	0000-0000	DPH	DPH							
84h	0000-0000	INTEX	EX9	EX8	EX7	EX6	EX5	EX4	EX3	EX2
85h	0000-0000	INTEXF	IE9	IE8	IE7	IE6	IE5	IE4	IE3	IE2
86h	xxxx-x000	INTPWM	-	-	-	-	-	PWM2IF	PWM1IF	PWM0IF
87h	0xxx-0000	PCON	SMOD	-	-	-	GF1	GF0	PD	IDL
88h	0000-0000	TCON	TF1	TR1	TF0	TR0	IE1	IT1	IE0	IT0
89h	0000-0000	TMOD	GATE1	CT1N	TMOD1		GATE0	CT0N	TMOD0	
8Ah	0000-0000	TL0	TL0							
8Bh	0000-0000	TL1	TL1							
8Ch	0000-0000	TH0	TH0							
8Dh	0000-0000	TH1	TH1							
8Eh	0100-0000	SCON2	SM	-	-	REN2	TB82	RB82	TI2	RI2
8Fh	xxxx-xxxx	SBUF2	SBUF2							
90h	1111-1111	P1	P1.7	P1.6	P1.5	P1.4	P1.3	P1.2	P1.1	P1.0
91h	0000-0000	P0OE	P0OE							
92h	0000-0000	P0LOE	P0LOE							
93h	0000-0101	P2MOD	-	-	-	-	P2MOD1		P2MOD0	
94h	0000-0000	OPTION	UART1W	-	WDTOSC		ADCKS		TM3PSC	
95h	xx00-x000	INTFLG	LVDIF	-	TKIF	ADIF	-	-	PIIF	TF3
96h	0000-0000	P1WKUP	P1WKUP							
97h	xxxx-xx00	SWCMD	IAPEN / SWRST / WDTO							
98h	0000-0000	SCON	SM0	SM1	SM2	REN	TB8	RB8	TI	RI
99h	xxxx-xxxx	SBUF	SBUF							
9Eh	0000-0000	PWMOE	PWM1IE	PWM0IE	-	-	-	PWM2OE	PWM1OE	PWM0OE
9Fh	0x00-0000	PWMCLR	PWM2IE	-	-	-	-	PWM2CLR	PWM1CLR	PWM0CLR
A0h	0000-0011	P2	P2.7	P2.6	P2.5	P2.4	P2.3	P2.2	P2.1	P2.0
A1h	xx10-1010	PWMCON	-	-	PWM2CKS		PWM1CKS		PWM0CKS	
A2h	0101-0101	P1MODL	P1MOD3		P1MOD2		P1MOD1		P1MOD0	
A3h	0101-0101	P1MODH	P1MOD7		P1MOD6		P1MOD5		P1MOD4	
A4h	0101-0101	P3MODL	P3MOD3		P3MOD2		P3MOD1		P3MOD0	
A5h	0001-0101	P3MODH	P3MOD7		P3MOD6		P3MOD5		P3MOD4	
A6h	0000-xxx0	PINMOD	-	I2CSEL	TCOE	T2OE	-	-	-	T0OE
A7h	xxx1-1111	TKCHS	-				TKCHS			
A8h	0x00-0000	IE	EA	-	ET2	ES	ET1	EX1	ET0	EX0
A9h	xx00-0000	INTE1	PWMIE	I2CE	ES2	SPIE	ADTKIE	EXLVDIE	PIIE	TM3IE
AAh	xxxx-xxxx	ADC DL	ADC DL				-			
ABh	xxxx-xxxx	ADC DH	ADC DH							
ADh	1100-0100	TKCON	TKPD	TKEOC	TKRERUN	TKIVCS	TKXCAP	TKOFFSET	ATKMODE	
AEh	1111-000x	CHSEL	ADCHS				ADC VREFS		VBGEN	-
AFh	000x-xxxx	P0ADIE	P0ADIE				-	-	-	-
B0h	1111-1111	P3	P3.7	P3.6	P3.5	P3.4	P3.3	P3.2	P3.1	P3.0
B1h	0000-x100	LEDCON	LEDEN		LEDPSC		LEDHOLD	LEDBRIT		
B2h	0100-x100	LEDCON2	LEDBRITM	LEDBRIT2			-	LEDBRIT1		
B3h	0000-0000	LEDCON3	LEDMTEN	LED8EN	LED7EN	LED6EN	LED5EN	LED4EN	LED3EN	LED2EN
B4h	0000-0000	TKTMRL	TKTMRL							
B5h	0000-0000	TKCON2	TKFJMP	JMPVAL		SPREAD	TKTMRH			
B8h	xx00-0000	IP	-	-	PT2	PS	PT1	PX1	PT0	PX0
B9h	xx00-0000	IPH	-	-	PT2H	PSH	PT1H	PX1H	PT0H	PX0H
BAh	xx00-0000	IPI	-	-	PS2	PSPI	PADTKI	PX2_9LVD	PP1	PT3
BBh	xx00-0000	IPIH	-	-	PS2H	PSPIH	PADTKIH	PX2_9LVDH	PP1H	PT3H
BCh	0000-0000	SPCON	SPEN	MSTR	CPOL	CPHA	SSDIS	LSBF	SPCR	
BDh	0000-0xxx	SPSTA	SPIF	WCOL	MODF	RCVOVF	RCVBF	SPBSY	-	-
BEh	0000-0000	SPDAT	SPDAT							
BFh	0xxx-0000	LVDS	LVDIE	LVDO	-	-	LVDS		ENVPULL	
C1h	0000-0000	TKPINSEL0	TKPINSEL0							

Adr	RST	NAME	Bit 7	Bit 6	Bit 5	Bit 4	Bit 3	Bit 2	Bit 1	Bit 0
C2h	0000-0000	TKPINSEL1	TKPINSEL1							
C3h	0000-0000	TKPINSEL2	TKPINSEL2							
C5h	0000-0000	ATKCH0	ATKCH0							
C6h	0000-0000	ATKCH1	ATKCH1							
C7h	0000-0000	ATKCH2	ATKCH2							
C8h	0000-0000	T2CON	TF2	EXF2	RCLK	TCLK	EXEN2	TR2	CT2N	CPRL2N
C9h	00xx-xxxx	IAPWE	IAPWE / IAPTO							
CAh	0000-0000	RCP2L	RCP2L							
CBh	0000-0000	RCP2H	RCP2H							
CCh	0000-0000	TL2	TL2							
CDh	0000-0000	TH2	TH2							
CEh	0000-0000	EXA2	EXA2							
CFh	0000-0000	EXA3	EXA3							
D0h	0000-0000	PSW	CY	AC	F0	RS1	RS0	OV	F1	P
D1h	1000-0000	PWM0DH	PWM0DH							
D2h	0000-0000	PWM0DL	PWM0DL							
D3h	1000-0000	PWM1DH	PWM1DH							
D4h	0000-0000	PWM1DL	PWM1DL							
D5h	1000-0000	PWM2DH	PWM2DH							
D6h	0000-0000	PWM2DL	PWM2DL							
D8h	00x0-0011	CLKCON	SCKTYPE	FCKTYPE	STPSCK	STPPCK	STPFCK	SELFCK	CLKPSC	
D9h	1111-1111	PWM0PRDH	PWM0PRDH							
DAh	1111-1111	PWM0PRDL	PWM0PRDL							
DBh	1111-1111	PWM1PRDH	PWM1PRDH							
DCh	1111-1111	PWM1PRDL	PWM1PRDL							
DDh	1111-1111	PWM2PRDH	PWM2PRDH							
DEh	1111-1111	PWM2PRDL	PWM2PRDL							
E0h	0000-0000	ACC	ACC.7	ACC.6	ACC.5	ACC.4	ACC.3	ACC.2	ACC.1	ACC.0
E1h	000x-0100	MICON	MIEN	MIACKO	MIIF	MIACKI	MISTART	MISTOP	MICR	
E2h	0000-0000	MIDAT	MIDAT							
E6h	0000-0000	EXA	EXA							
E7h	0000-0000	EXB	EXB							
E9h	0110-1000	SIADR	SA							SIEN
EAh	0000-x100	SICON	MIIE	TXDIE	RCD2IE	RCD1IE	-	TXDF	RCD2F	RCD1F
EBh	xxxx-xxxx	SIRCD1	SIRCD1							
ECh	xxxx-xxxx	SITXRCD2	SITXRCD2							
F0h	0000-0000	B	B.7	B.6	B.5	B.4	B.3	B.2	B.1	B.0
F1h	1111-1111	CRCDL	CRCDL							
F2h	1111-1111	CRCDH	CRCDH							
F3h	0000-0000	CRCIN	CRCIN							
F5h	xxxx-xxxx	CFGGBG	-	-	-	BGTRIM				
F6h	xxxx-xxxx	CFGWL	-	FRCF						
F7h	0000-1110	AUX2	WDTE		PWRSVAV	VBGOUT	DIV32	IAPTE		MULDIV16
F8h	0000-0000	AUX1	CLRWDT	CLRTM3	TKSOC	ADSOC	LVRPD	T2SEL	T1SEL	DPSEL

Flash Address	NAME	Bit 7	Bit 6	Bit 5	Bit 4	Bit 3	Bit 2	Bit 1	Bit 0
7FFFh	CFGWH	PROTN	XRSTEN	LVRE			-	MVCLOCKN	FRCPSC

SFR & CFGW DESCRIPTION

Adr	SFR	Bit#	Bit Name	R/W	Rst	Description
80h	P0	7~0	P0	R/W	00h	Port0 data
81h	SP	7~0	SP	R/W	07h	Stack Point
82h	DPL	7~0	DPL	R/W	00h	Data Point low byte
83h	DPH	7~0	DPH	R/W	00h	Data Point high byte
84h	INTEX	7	EX9	R/W	0h	External INT9~INT2 pin Interrupt enable and Stop/Halt mode wake up enable. 0: Disable INTx pin Interrupt and Stop/Halt mode wake up 1: Enable INTx pin Interrupt and Stop/Halt mode wake up, it can wake up CPU from Stop/Halt mode no matter EA is 0 or 1 (note: EXLVDIE must be 1 at the same time to generate INTx interrupt and wake up)
		6	EX8	R/W	0h	
		5	EX7	R/W	0h	
		4	EX6	R/W	0h	
		3	EX5	R/W	0h	
		2	EX4	R/W	0h	
		1	EX3	R/W	0h	
		0	EX2	R/W	0h	
85h	INTEXF	7	IE9	R/W	0h	INT9 Interrupt Flag. 1: interrupt asserted, write 0 to clear int flag
		6	IE8	R/W	0h	INT8 Interrupt Flag. 1: interrupt asserted, write 0 to clear int flag
		5	IE7	R/W	0h	INT7 Interrupt Flag. 1: interrupt asserted, write 0 to clear int flag
		4	IE6	R/W	0h	INT6 Interrupt Flag. 1: interrupt asserted, write 0 to clear int flag
		3	IE5	R/W	0h	INT5 Interrupt Flag. 1: interrupt asserted, write 0 to clear int flag
		2	IE4	R/W	0h	INT4 Interrupt Flag. 1: interrupt asserted, write 0 to clear int flag
		1	IE3	R/W	0h	INT3 Interrupt Flag. 1: interrupt asserted, write 0 to clear int flag
		0	IE2	R/W	0h	INT2 Interrupt Flag. 1: interrupt asserted, write 0 to clear int flag
86h	INTPWM	2	PWM2IF	R/W	0h	PWM2 Interrupt Flag. 1: interrupt asserted, write 0 to clear int flag
		1	PWM1IF	R/W	0h	PWM1 Interrupt Flag. 1: interrupt asserted, write 0 to clear int flag
		0	PWM0IF	R/W	0h	PWM0 Interrupt Flag. 1: interrupt asserted, write 0 to clear int flag
87h	PCON	7	SMOD	R/W	0	Set 1 to enable UART1 double baud rate
		3	GF1	R/W	0	General purpose flag bit
		2	GF0	R/W	0	General purpose flag bit
		1	PD	R/W	0	Power down control bit, set 1 to enter STOP (or Halt) mode
		0	IDL	R/W	0	Idle control bit, set 1 to enter IDLE mode
88h	TCON	7	TF1	R/W	0	Timer1 overflow flag Set by H/W when Timer/Counter 1 overflows. Cleared by H/W when CPU vectors into the interrupt service routine.
		6	TR1	R/W	0	Timer1 run control. 1: timer runs; 0: timer stops
		5	TF0	R/W	0	Timer0 overflow flag Set by H/W when Timer/Counter 0 overflows. Cleared by H/W when CPU vectors into the interrupt service routine.
		4	TR0	R/W	0	Timer0 run control. 1:timer runs; 0:timer stops
		3	IE1	R/W	0	External Interrupt 1 (INT1 pin) edge flag Set by H/W when an INT1 pin falling edge is detected. Cleared by H/W when CPU vectors into the interrupt service routine.
		2	IT1	R/W	0	External Interrupt 1 control bit 0: Low level active (level triggered) for INT1 pin 1: Falling edge active (edge triggered) for INT1 pin
		1	IE0	R/W	0	External Interrupt 0 (INT0 pin) edge flag Set by H/W when an INT0 pin falling edge is detected. Cleared by H/W when CPU vectors into the interrupt service routine.
		0	IT0	R/W	0	External Interrupt 0 control bit 0: Low level active (level triggered) for INT0 pin 1: Falling edge active (edge triggered) for INT0 pin

Adr	SFR	Bit#	Bit Name	R/W	Rst	Description
89h	TMOD	7	GATE1	R/W	0	Timer1 gating control bit 0: Timer1 enable when TR1 bit is set 1: Timer1 enable only while the INT1 pin is high and TR1 bit is set
		6	CT1N	R/W	0	Timer1 Counter/Timer select bit 0: Timer mode, Timer1 data increases at 2 System clock cycle rate 1: Counter mode, Timer1 data increases at T1 pin's negative edge
		5~4	TMOD1	R/W	00	Timer1 mode select 00: 8-bit timer/counter (TH1) and 5-bit prescaler (TL1) 01: 16-bit timer/counter 10: 8-bit auto-reload timer/counter (TL1). Reloaded from TH1 at overflow. 11: Timer1 stops
		3	GATE0	R/W	0	Timer0 gating control bit 0: Timer0 enable when TR0 bit is set 1: Timer0 enable only while the INT0 pin is high and TR0 bit is set
		2	CT0N	R/W	0	Timer0 Counter/Timer select bit 0: Timer mode, Timer0 data increases at 2 System clock cycle rate 1: Counter mode, Timer0 data increases at T0 pin's negative edge
		1~0	TMOD0	R/W	00	Timer0 mode select 00: 8-bit timer/counter (TH0) and 5-bit prescaler (TL0) 01: 16-bit timer/counter 10: 8-bit auto-reload timer/counter (TL0). Reloaded from TH0 at overflow. 11: TL0 is an 8-bit timer/counter. TH0 is an 8-bit timer/counter using Timer1's TR1 and TF1 bits.
8Ah	TL0	7~0	TL0	R/W	00h	Timer0 data low byte
8Bh	TL1	7~0	TL1	R/W	00h	Timer1 data low byte
8Ch	TH0	7~0	TH0	R/W	00h	Timer0 data high byte
8Dh	TH1	7~0	TH1	R/W	00h	Timer1 data high byte
8Eh	SCON2	7	SM	R/W	0	UART2 Serial port mode select bit 0: Mode1: 8 bit UART2, Baud Rate is variable 1: Mode3: 9 bit UART2, Baud Rate is variable
		4	REN2	R/W	0	UART2 reception enable 0: Disable reception 1: Enable reception
		3	TB82	R/W	0	Transmit Bit 8, the ninth bit to be transmitted in Mode3
		2	RB82	R/W	0	Receive Bit 8, contains the ninth bit that was received in Mode3
		1	TI2	R/W	0	Transmit interrupt flag Set by H/W at the beginning of the stop bit in Mode 1 & 3. Must be cleared by S/W.
		0	RI2	R/W	0	Receive interrupt flag Set by H/W at the sampling point of the stop bit in Mode 1 & 3. Must be cleared by S/W.
8Fh	SBUF2	7~0	SBUF2	R/W	-	UART2 transmit and receive data. Transmit data is written to this location and receive data is read from this location, but the paths are independent.
90h	P1	7~0	P1	R/W	FFh	Port1 data
91h	P0OE	7~0	P0OE	R/W	00h	Port0 CMOS Push-Pull output enable control 0: Disable 1: Enable
92h	P0LOE	7~0	P0LOE	R/W	00h	Port0 LCD 1/2 bias output enable control 0: Disable 1: Enable
93h	P2MOD	3~2	P2MOD1	R/W	01	P2.1 Pin Control 00: Mode0; 01: Mode1; 10: Mode2 11: not defined
		1~0	P2MOD0	R/W	01	P2.0 Pin Control 00: Mode0; 01: Mode1; 10: Mode2 11: not defined

Adr	SFR	Bit#	Bit Name	R/W	Rst	Description
94h	OPTION	7	UART1W	R/W	0	Set 1 to enable one wire UART1 mode, both TXD/RXD use P3.1 pin.
		5~4	WDTPSC	R/W	00	Watchdog Timer pre-scalar time select 00: 480ms WDT overflow rate 01: 240ms WDT overflow rate 10: 120ms WDT overflow rate 11: 60ms WDT overflow rate
		3~2	ADCKS	R/W	00	ADC clock rate select 00: F _{SYSCLK} /32 01: F _{SYSCLK} /16 10: F _{SYSCLK} /8 11: F _{SYSCLK} /4
		1~0	TM3PSC	R/W	00	Timer3 Interrupt rate 00: Timer3 Interrupt rate is 32768 Slow clock cycle 01: Timer3 Interrupt rate is 16384 Slow clock cycle 10: Timer3 Interrupt rate is 8192 Slow clock cycle 11: Timer3 Interrupt rate is 128 Slow clock cycle
95h	INTFLG	7	LVDIF	R	-	Low Voltage Detect flag Set by H/W when a low voltage occurs.
		5	TKIF	R/W	0	Touch Key Interrupt Flag Set by H/W at the end of TK conversion if SYSCLK is fast enough. S/W writes DFh to INTFLG or sets the TKSOC bit to clear this flag.
		4	ADIF	R/W	0	ADC interrupt flag Set by H/W at the end of ADC conversion. S/W writes EFh to INTFLG or sets the ADSOC bit to clear this flag.
		1	P1IF	R/W	0	Port1 pin change Interrupt flag Set by H/W when a Port1 pin state change is detected and its interrupt enable bit is set (P1WKUP). P1IE does not affect this flag's setting. It is cleared automatically when the program performs the interrupt service routine. S/W can write FDh to INTFLG to clear this bit.
		0	TF3	R/W	0	Timer3 Interrupt Flag Set by H/W when Timer3 reaches TM3PSC setting cycles. It is cleared automatically when the program performs the interrupt service routine. S/W can write FEh to INTFLG to clear this bit.
96h	P1WKUP	7~0	P1WKUP	R/W	00h	P1.7~P1.0 pin individual Wake-up/Interrupt enable control 0: Disable; 1: Enable.
97h	SWCMD	7~0	SWRST	W		Write 56h to generate S/W Reset
		7~0	IAPEN	W		Write 65h to set IAPEN control flag; Write other value to clear IAPEN flag. It is recommended to clear it immediately after IAP access.
		1	WDTO	R	0	WatchDog Time-Out flag
		0	IAPEN	R	0	Flag indicates Flash memory sectors can be accessed by IAP or not. This bit combines with MVCLOCK to define the accessible IAP area.

Adr	SFR	Bit#	Bit Name	R/W	Rst	Description
98h	SCON	7	SM0	R/W	0	UART1 Serial port mode select bit 0, 1 (SM0, SM1) = 00: Mode0: 8 bit shift register, Baud Rate= $F_{SYSCLK}/2$ 01: Mode1: 8 bit UART1, Baud Rate is variable 10: Mode2: 9 bit UART1, Baud Rate= $F_{SYSCLK}/32$ or $/64$ 11: Mode3: 9 bit UART1, Baud Rate is variable
		6	SM1	R/W	0	
		5	SM2	R/W	0	Serial port mode select bit 2 SM2 enables multiprocessor communication over a single serial line and modifies the above as follows. In Modes 2 & 3, if SM2 is set then the received interrupt will not be generated if the received ninth data bit is 0. In Mode 1, the received interrupt will not be generated unless a valid stop bit is received. In Mode 0, SM2 should be 0.
		4	REN	R/W	0	Set 1 to enable UART1 Reception
		3	TB8	R/W	0	Transmitter bit 8, ninth bit to transmit in Modes 2 and 3
		2	RB8	R/W	0	Receive Bit 8, contains the ninth bit that was received in Mode 2 and 3 or the stop bit is Mode 1 if SM2=0
		1	TI	R/W	0	Transmit Interrupt flag Set by H/W at the end of the eighth bit in Mode 0, or at the beginning of the stop bit in other modes. Must be cleared by S/W
		0	RI	R/W	0	Receive Interrupt flag Set by H/W at the end of the eighth bit in Mode 0, or at the sampling point of the stop bit in other modes. Must be cleared by S/W.
99h	SBUF	7~0	SBUF	R/W	-	UART1 transmit and receive data. Transmit data is written to this location and receive data is read from this location, but the paths are independent.
9Eh	PWMOE	7	PWM1IE	R/W	0	PWM1 Interrupt Enable. 0: disable 1: enable (note: PWMIE must be 1 at the same time to generate PWM interrupt)
		6	PWM0IE	R/W	0	PWM0 Interrupt Enable 0: disable 1: enable (note: PWMIE must be 1 at the same time to generate PWM interrupt)
		2	PWM2OE	R/W	0	PWM2 enable and signal output to P1.6 pin 0: disable 1: enable
		1	PWM1OE	R/W	0	PWM1 enable and signal output to P1.3 pin 0: disable 1: enable
		0	PWM0OE	R/W	0	PWM0 enable and signal output to P1.2 pin 0: disable 1: enable
9Fh	PWMCLR	7	PWM2IE	R/W	0	PWM2 Interrupt Enable 0: disable 1: enable (note: PWMIE must be 1 at the same time to generate PWM interrupt)
		2	PWM2CLR	R/W	0	PWM2 clear enable 0: PWM2 is running 1: PWM2 is cleared and held
		1	PWM1CLR	R/W	0	PWM1 clear enable 0: PWM1 is running 1: PWM1 is cleared and held
		0	PWM0CLR	R/W	0	PWM0 clear enable 0: PWM0 is running 1: PWM0 is cleared and held
A0h	P2	7~0	P2	R/W	00h	P2 data

Adr	SFR	Bit#	Bit Name	R/W	Rst	Description
A1h	PWMCON	5~4	PWM2CKS	R/W	10	PWM2 clock source 00: F _{SYSC} CLK 01: F _{SYSC} CLK 10: FRC 11: FRC x 2
		3~2	PWM1CKS	R/W	10	PWM1 clock source 00: F _{SYSC} CLK 01: F _{SYSC} CLK 10: FRC 11: FRC x 2
		1~0	PWM0CKS	R/W	10	PWM0 clock source 00: F _{SYSC} CLK 01: F _{SYSC} CLK 10: FRC 11: FRC x 2
A2h	P1MODL	7~6	P1MOD3	R/W	01	P1.3 Pin Control 00: Mode0; 01: Mode1; 10: Mode2 11: Mode3, P1.3 is ADC input
		5~4	P1MOD2	R/W	01	P1.2 Pin Control 00: Mode0; 01: Mode1; 10: Mode2 11: Mode3, P1.2 is ADC input
		3~2	P1MOD1	R/W	01	P1.1 Pin Control 00: Mode0; 01: Mode1; 10: Mode2 11: Mode3, P1.1 is ADC input
		1~0	P1MOD0	R/W	01	P1.0 Pin Control 00: Mode0; 01: Mode1; 10: Mode2 11: Mode3, P1.0 is ADC input
A3h	P1MODH	7~6	P1MOD7	R/W	01	P1.7 Pin Control 00: Mode0; 01: Mode1; 10: Mode2 11: Mode3
		5~4	P1MOD6	R/W	01	P1.6 Pin Control 00: Mode0; 01: Mode1; 10: Mode2 11: Mode3
		3~2	P1MOD5	R/W	01	P1.5 Pin Control 00: Mode0; 01: Mode1; 10: Mode2 11: Mode3, P1.5 is ADC input
		1~0	P1MOD4	R/W	01	P1.4 Pin Control 00: Mode0; 01: Mode1; 10: Mode2 11: Mode3, P1.4 is ADC input
A4h	P3MODL	7~6	P3MOD3	R/W	01	P3.3 Pin Control 00: Mode0; 01: Mode1; 10: Mode2 11: Mode3, P3.3 is ADC input
		5~4	P3MOD2	R/W	01	P3.2 Pin Control 00: Mode0; 01: Mode1; 10: Mode2 11: Mode3, P3.2 is ADC input
		3~2	P3MOD1	R/W	01	P3.1 Pin Control 00: Mode0; 01: Mode1; 10: Mode2 11: Mode3, P3.1 is ADC input
		1~0	P3MOD0	R/W	01	P3.0 Pin Control 00: Mode0; 01: Mode1; 10: Mode2 11: Mode3, P3.0 is ADC input
A5h	P3MODH	7~6	P3MOD7	R/W	00	P3.7 Pin Control 00: Mode0; 01: Mode1; 10: Mode2; 11: Mode3
		5~4	P3MOD6	R/W	01	P3.6 Pin Control 00: Mode0; 01: Mode1; 10: Mode2; 11: Mode3
		3~2	P3MOD5	R/W	01	P3.5 Pin Control 00: Mode0; 01: Mode1; 10: Mode2; 11: Mode3
		1~0	P3MOD4	R/W	01	P3.4 Pin Control 00: Mode0; 01: Mode1; 10: Mode2; 11: Mode3

Adr	SFR	Bit#	Bit Name	R/W	Rst	Description
A6h	PINMOD	6	I2CSEL	R/W	0	I2C Pin Select 0: SCL/SDA = P3.4/P3.5 1: SCL/SDA = P3.0/P3.1
		5	TCOE	R/W	0	Set 1 to enable "System clock divided by 2" (CKO) output to P1.4 pin
		4	T2OE	R/W	0	Set 1 to enable "Timer2 overflow divided by 2" (T2O) output to P1.0 pin
		0	T0OE	R/W	0	Set 1 to enable "Timer0 overflow divided by 64" (T0O) output to P3.4 pin
A7h	TKCHS	4~0	TKCHS	R/W	1Fh	Specify the first touch key scan channel 00000: TK0 (P3.3) 00001: TK1 (P3.2) 00010: TK2 (P3.1) 00011: TK3 (P3.0) 00100: TK4 (P1.0) 00101: TK5 (P1.1) 00110: TK6 (P1.2) 00111: TK7 (P1.3) 01000: TK8 (P1.4) 01001: TK9 (P1.6) 01010: TK10 (P1.7) 01011: TK11 (P3.6) 01100: TK12 (P3.5) 01101: TK13 (P3.4) 01110: TK14 (P1.5) 01111: TK15 (P3.7) 10000: TK16 (P0.3) 10001: TK17 (P0.5) 10010: TK18 (P0.6) 10011: TK19 (P0.7) 10111: TK reference capacitor
A8h	IE	7	EA	R/W	0	Global interrupt enable control. 0: Disable all Interrupts. 1: Each interrupt is enabled or disabled by its own interrupt control bit.
		5	ET2	R/W	0	Set 1 to enable Timer2 interrupt
		4	ES	R/W	0	Set 1 to enable Serial Port (UART1) Interrupt
		3	ET1	R/W	0	Set 1 to enable Timer1 Interrupt
		2	EX1	R/W	0	Set 1 to enable external INT1 pin Interrupt & Stop/Halt mode wake up capability
		1	ET0	R/W	0	Set 1 to enable Timer0 Interrupt
		0	EX0	R/W	0	Set 1 to enable external INT0 pin Interrupt & Stop/Halt mode wake up capability
A9h	INTE1	7	PWMIE	R/W	0	Set 1 to enable PWM0~PWM2 interrupt
		6	I2CE	R/W	0	Set 1 to enable I ² C (master/slave) interrupt
		5	ES2	R/W	0	Set 1 to enable Serial Port (UART2) interrupt
		4	SPIE	R/W	0	Set 1 to enable SPI interrupt
		3	ADTKIE	R/W	0	Set 1 to enable ADC/Touch Key Interrupt
		2	EXLVDIE	R/W	0	Set 1 to enable external INT2~INT9 pin Interrupt, Stop/Halt mode wake up capability and LVD interrupt.
		1	PIIE	R/W	0	Set 1 to enable Port1 Pin Change Interrupt
		0	TM3IE	R/W	0	Set 1 to enable Timer3 Interrupt and Halt mode wake up enable, it can wake up CPU from Halt mode no matter EA is 0 or 1.
AAh	ADC DL	7~4	ADC DL	R	-	ADC data bit 3~0
ABh	ADC DH	7~0	ADC DH	R	-	ADC data bit 11~4

Adr	SFR	Bit#	Bit Name	R/W	Rst	Description
ADh	TKCON	7	TKPD	R/W	1	Touch Key Power Down 0: Touch Key enable; 1: Touch Key disable
		6	TKEOC	R	1	Touch Key end of conversion flag 0: Indicates conversion is in progress 1: Indicates conversion is finished
		5	TKRERUN	R/W	0	TK Auto re-start, doesn't need to set TKSOC again to restart TK converter. 0: Auto re-start disable. TKSOC needs to be executed once for each TK conversion 1: Auto re-start enable. After TKSOC is executed once, TK will be converted continuously without re-executing TKSOC
		4	TKIVCS	R/W	0	Touch Key internal voltage control select 0: VCHG=2.8V; VINT=1.4V 1: VCHG=3.6V; VINT=1.8V
		3	TKXCAP	R/W	0	Touch Key external capacitor select 0: Keep 0, disable Touch Key external capacitor 1: reserved (Do not set to 1)
		2	TKOFFSET	R/W	0	status of non-scan TK 0: connect to VSS 1: connect to AC shielding , connect to VSS@EOC
		1~0	ATKMODE	R/W	00	Touch Key Scan Mode 00: TK scan method, each channel scan 1 time, max 21 TK channels 01: TK scan method, each channel scan 2 times, max 16 TK channels 10: TK scan method, each channel scan 4 times, max 8 TK channels 11: TK scan method, each channel scan 8 times, max 4 TK channels
AEh	CHSEL	7~4	ADCHS	R/W	1111	ADC channel select 0000: AD0 (P3.3) 0001: AD1 (P3.2) 0010: AD2 (P3.1) 0011: AD3 (P3.0) 0100: AD4 (P1.0) 0101: AD5 (P1.1) 0110: AD6 (P1.2) 0111: AD7 (P1.3) 1000: AD8 (P1.4) 1001: AD9 (P1.5) 1010: Reserved 1011: V _{BG} (Internal Bandgap Reference Voltage) 1100: AD12 (P0.7) 1101: AD13 (P0.5) 1110: AD14 (P0.6) 1111: 1/4 V _{CC}
		3~2	ADCVREFS	R/W	00	ADC reference voltage. When ADCHS is selected to VBG, ADCVREFS must be set to VCC, otherwise ADC conversion will be invalid 00: VCC 01: V _{BG} *2.06V 10: Reserved 11: Reserved
		1	VBGEN	R/W	0	force VBG generator enable 0: VBG generator is automatically enable and disable 1: Force VBG generator enable included in IDLE mode but disabled in stop mode
AFh	P0ADIE	7~5	P0ADIE	R/W	000	ADC channel input Enable 000: P0.7~P0.4 are digital input 1xx: P0.7 is ADC input x1x: P0.6 is ADC input xx1: P0.5 is ADC input

Adr	SFR	Bit#	Bit Name	R/W	Rst	Description
B0h	P3	7~0	P3	R/W	FFh	Port3 data
B1h	LEDCON	7~6	LEDEN	R/W	00	LED BiD matrix mode enable and duty select 00: LED BiD matrix mode disable 01: LED 1/8 duty (4COM x 4SEG) 10: LED 1/9 duty (4COM x 5SEG) 11: LED 1/10 duty (4COM x 6SEG)
		5~4	LEDPSC	R/W	00	LED clock prescaler select 00: LED clock is FRC divided by 64 01: LED clock is FRC divided by 32 10: LED clock is FRC divided by 16 11: LED clock is FRC divided by 8
		3	LEDHOLD	R/W	0	Keep at 0, cannot be set to 1
		2~0	LEDBRIT	R/W	100	BiD matrix mode: LED number 0~31, 40~47 brightness control 000: Level 0 (Darkest) ... 111: Level 7 (Brightest)
B2h	LEDCON2	7	LEDBRITM	R/W	0	Brightness smooth control 0: Uniform brightness mode 1: Brightness enhancement mode
		6~4	LEDBRIT2	R/W	100	BiD matrix mode: LED number 33, 35, 37, 39 brightness control Dot matrix mode: LED number 0~63 brightness control 000: Level 0 (Darkest) ... 111: Level 7 (Brightest)
		2~0	LEDBRIT1	R/W	100	BiD matrix mode: LED number 32, 34, 36, 38 brightness control 000: Level 0 (Darkest) ... 111: Level 7 (Brightest)
B3h	LEDCON3	7	LEDMTEN	R/W	0	LED Dot matrix mode enable 0: disable 1: enable
		6	LED8EN	R/W	0	LED Dot matrix mode enable 0: LED8 disable 1: LED8 enable
		5	LED7EN	R/W	0	LED Dot matrix mode enable 0: LED7 disable 1: LED7 enable
		4	LED6EN	R/W	0	LED Dot matrix mode enable 0: LED6 disable 1: LED6 enable
		3	LED5EN	R/W	0	LED Dot matrix mode enable 0: LED5 disable 1: LED5 enable
		2	LED4EN	R/W	0	LED Dot matrix mode enable 0: LED4 disable 1: LED4 enable
		1	LED3EN	R/W	0	LED Dot matrix mode enable 0: LED3 disable 1: LED3 enable
		0	LED2EN	R/W	0	LED Dot matrix mode enable 0: LED2 disable 1: LED2 enable
B4h	TKTMRL	7~0	TKTMRL	R/W	0	Touch Key Scan length bit 7~0 adjustment. 00: shortest, FF: longest

Adr	SFR	Bit#	Bit Name	R/W	Rst	Description
B5h	TKCON2	7	TKFJMP	R/W	0	Internal Touch Key clock frequency auto adjust option 0: Disable 1: Enable
		6~5	JAMVAL	R/W	0	Touch Key Clock frequency fine tune , only available in TKFJMP=0 00=frequency slowest, 11=frequency fastest
		4	SPREAD	R/W	0	TK spread spectrum 0: Disable 1: Enable
		3~0	TKTMRH	R/W	0	Touch Key Scan length 11~8 adjustment. 0000: shortest, 1111: longest
B8h	IP	5	PT2	R/W	0	Timer2 Interrupt Priority Low bit
		4	PS	R/W	0	Serial Port (UART1) Interrupt Priority Low bit
		3	PT1	R/W	0	Timer1 Interrupt Priority Low bit
		2	PX1	R/W	0	External INT1 Pin Interrupt Priority Low bit
		1	PT0	R/W	0	Timer0 Interrupt Priority Low bit
		0	PX0	R/W	0	External INT0 Pin Interrupt Priority Low bit
B9h	IPH	5	PT2H	R/W	0	Timer2 Interrupt Priority High bit
		4	PSH	R/W	0	Serial Port (UART1) Interrupt Priority High bit
		3	PT1H	R/W	0	Timer1 Interrupt Priority High bit
		2	PX1H	R/W	0	External INT1 Pin Interrupt Priority High bit
		1	PT0H	R/W	0	Timer0 Interrupt Priority High bit
		0	PX0H	R/W	0	External INT0 Pin Interrupt Priority High bit
BAh	IP1	7	PPWM	R/W	0	PWM Interrupt Priority Low bit
		6	PI2C	R/W	0	I2C Interrupt Priority Low bit
		5	PS2	R/W	0	Serial Port (UART2) interrupt priority low bit
		4	PSPI	R/W	0	SPI interrupt priority low bit
		3	PADTKI	R/W	0	ADC/Touch Key Interrupt Priority Low bit
		2	PX2_9LVD	R/W	0	External INT2~INT9 Pin Interrupt Priority Low bit
		1	PP1	R/W	0	Port1 pin change Interrupt Priority Low bit
		0	PT3	R/W	0	Timer3 Interrupt Priority Low bit
BBh	IP1H	7	PPWMH	R/W	0	PWM Interrupt Priority High bit
		6	PI2CH	R/W	0	I2C Interrupt Priority High bit
		5	PS2H	R/W	0	Serial Port (UART2) interrupt priority high bit
		4	PSPIH	R/W	0	SPI interrupt priority high bit
		3	PADTKIH	R/W	0	ADC/Touch Key Interrupt Priority High bit
		2	PX2_9LVDH	R/W	0	External INT2~INT9 Pin Interrupt Priority High bit
		1	PP1H	R/W	0	Port1 Interrupt Priority High bit
		0	PT3H	R/W	0	Timer3 Interrupt Priority High bit

Adr	SFR	Bit#	Bit Name	R/W	Rst	Description
BCh	SPCON	7	SPEN	R/W	0	SPI enable 0: SPI disable 1: SPI enable
		6	MSTR	R/W	0	Master mode enable 0: Slave mode 1: Master mode
		5	CPOL	R/W	0	SPI clock polarity 0: SCK is low in idle state 1: SCK is high in idle state
		4	CPHA	R/W	0	SPI clock phase 0: Data sample on first edge of SCK period 1: Data sample on second edge of SCK period
		3	SSDIS	R/W	0	SS pin disable 0: Enable SS pin 1: Disable SS pin
		2	LSBF	R/W	0	LSB first 0: MSB first 1: LSB first
		1~0	SPCR	R/W	00	SPI clock rate 00: FSYCLK/2 01: FSYCLK/4 10: FSYCLK/8 11: FSYCLK/16
BDh	SPSTA	7	SPIF	R/W	0	SPI interrupt flag This is set by H/W at the end of a data transfer. Cleared by H/W when an interrupt is vectored into. Writing 0 to this bit will clear this flag.
		6	WCOL	R/W	0	Write collision interrupt flag Set by H/W if write data to SPDAT when SPBSY is set. Write 0 to this bit or rewrite data to SPDAT when SPBSY is cleared will clear this flag.
		5	MODF	R/W	0	Mode fault interrupt flag Set by H/W when SSDIS is cleared and SS pin is pulled low in Master mode. Write 0 to this bit will clear this flag. When this bit is set, the SPEN and MSTR in SPCON will be cleared by H/W.
		4	RCVOVF	R/W	0	Received buffer overrun flag Set by H/W at the end of a data transfer and RCVBF is set. Write 0 to this bit or read SPDAT register will clear this flag.
		3	RCVBF	R/W	0	Receive buffer full flag Set by H/W at the end of a data transfer. Write 0 to this bit or read SPDAT register will clear this flag.
		2	SPBSY	R	0	SPI busy flag Set by H/W when a SPI transfer is in progress.
BEh	SPDAT	7~0	SPDAT	R/W	0	SPI transmit and receive data The SPDAT register is used to transmit and receive data. Writing data to SPDAT place the data into shift register and start a transfer when in master mode. Reading SPDAT returns the contents of the receive buffer.

Adr	SFR	Bit#	Bit Name	R/W	Rst	Description
BFh	LVDS	7	LVDIE	R/W	0	Low Voltage Detect interrupt enable 0: Disable 1: Enable (note: EXLVDIE must be 1 at the same time to generate LVD interrupt)
		6	LVDO	R	-	Low Voltage Detect output
		3~1	LVDS	R/W	0	Low Voltage Detect select 000: Set LVD at 2.2V 001: Set LVD at 2.42V 010: Set LVD at 2.64V 011: Set LVD at 2.86V 100: Set LVD at 3.08V 101: Set LVD at 3.32V 110: Set LVD at 3.56V 111: Set LVD at 3.8V
		0	ENVPULL	R/W	0	Internal VPULL power control. Before entering Stop/Halt mode (PDOWN), it must be set ENVPULL (ENVPULL = 1) and clear ENVPULL (ENVPULL = 0) after Stop/Halt mode wakeup. 0: Disable 1: Enable
C1h	TKPINSEL0	7~0	TKPINSEL0	R/W	00	Touch Key TK7~TK0 Channel Select 0: Normal IO 1: Touch Key
C2h	TKPINSEL1	7~0	TKPINSEL1	R/W	00	Touch Key TK15~TK8 Channel Select 0: Normal IO 1: Touch Key
C3h	TKPINSEL2	7~0	TKPINSEL2	R/W	00	Touch Key TK23~TK16 Channel Select 0: Normal IO 1: Touch Key
C5h	ATKCH0	7~0	ATKCH0	R/W	00	Auto Touch Key TK7~TK0 Channel Select 0: Disable auto scan 1: Enable auto scan
C6h	ATKCH1	7~0	ATKCH1	R/W	00	Auto Touch Key TK15~TK8 Channel Select 0: Disable auto scan 1: Enable auto scan
C7h	ATKCH2	7~0	ATKCH2	R/W	00	Auto Touch Key TK23~TK16 Channel Select 0: Disable auto scan 1: Enable auto scan

Adr	SFR	Bit#	Bit Name	R/W	Rst	Description
C8h	T2CON	7	TF2	R/W	0	Timer2 overflow flag Set by H/W when Timer/Counter 2 overflows unless RCLK=1 or TCLK=1. This bit must be cleared by S/W.
		6	EXF2	R/W	0	T2EX interrupt pin falling edge flag Set when a capture or a reload is caused by a negative transition on T2EX pin if EXEN2=1. This bit must be cleared by S/W.
		5	RCLK	R/W	0	UART receive clock control bit 0: Use Timer1 overflow as receive clock for serial port in mode 1 or 3 1: Use Timer2 overflow as receive clock for serial port in mode 1 or 3
		4	TCLK	R/W	0	UART transmit clock control bit 0: Use Timer1 overflow as transmit clock for serial port in mode 1 or 3 1: Use Timer2 overflow as transmit clock for serial port in mode 1 or 3
		3	EXEN2	R/W	0	T2EX pin enable 0: T2EX pin disable 1: T2EX pin enable, it cause a capture or reload when a negative transition on T2EX pin is detected if RCLK=TCLK=0
		2	TR2	R/W	0	Timer2 run control 0:timer stops 1:timer runs
		1	CT2N	R/W	0	Timer2 Counter/Timer select bit 0: Timer mode, Timer2 data increases at 2 System clock cycle rate 1: Counter mode, Timer2 data increases at T2 pin's negative edge
		0	CPRL2N	R/W	0	Timer2 Capture/Reload control bit 0: Reload mode, auto-reload on Timer2 overflows or negative transitions on T2EX pin if EXEN2=1. 1: Capture mode, capture on negative transitions on T2EX pin if EXEN2=1. If RCLK=1 or TCLK=1, CPRL2N is ignored and timer is forced to auto-reload on Timer2 overflow.
C9h	IAPWE	7~0	IAPWE	W	-	Write 4Ah to enable one byte IAP write to ROM[7A00~7BFF] Write 4Ch to enable one byte IAP write to ROM[7C00~7DFF] Write BAh to enable ERASE 512 byte of ROM[7A00~7BFF] Write BCh to enable ERASE 512 byte of ROM[7C00~7DFF] Write other value to disable IAP write
		7	IAPWE	R	0	Flag indicates Flash memory can be written by IAP or not 0: IAP Write/Erase disable 1: IAP Write/Erase enable
C9h	IAPWE	6	IAPTO	R	0	IAP (or EEPROM write) Time-Out flag Set by H/W when IAP (or EEPROM write) Time-out occurs. Cleared by H/W when IAPWE=0 (or EEPWE=0).
CAh	RCP2L	7~0	RCP2L	R/W	00h	Timer2 reload/capture data low byte
CBh	RCP2H	7~0	RCP2H	R/W	00h	Timer2 reload/capture data high byte
CCh	TL2	7~0	TL2	R/W	00h	Timer2 data low byte
CDh	TH2	7~0	TH2	R/W	00h	Timer2 data high byte
CEh	EXA2	7~0	EXA2	R/W	00h	Expansion accumulator 2
CFh	EXA3	7~0	EXA3	R/W	00h	Expansion accumulator 3
D0h	PSW	7	CY	R/W	0	ALU carry flag
		6	AC	R/W	0	ALU auxiliary carry flag
		5	F0	R/W	0	General purpose user-definable flag
		4	RS1	R/W	0	Register Bank Select bit 1
		3	RS0	R/W	0	Register Bank Select bit 0
		2	OV	R/W	0	ALU overflow flag
		1	F1	R/W	0	General purpose user-definable flag
		0	P	R/W	0	Parity flag
D1h	PWM0DH	7~0	PWM0DH	R/W	80H	PWM0 duty high byte write sequence: PWM0DL then PWM0DH read sequence: PWM0DH then PWM0DL
D2h	PWM0DL	7~0	PWM0DL	R/W	00H	PWM0 duty low byte write sequence: PWM0DL then PWM0DH read sequence: PWM0DH then PWM0DL

Adr	SFR	Bit#	Bit Name	R/W	Rst	Description
D3h	PWM1DH	7~0	PWM1DH	R/W	80H	PWM1 duty high byte write sequence: PWM1DL then PWM1DH read sequence: PWM1DH then PWM1DL
D4h	PWM1DL	7~0	PWM1DL	R/W	00H	PWM1 duty low byte write sequence: PWM1DL then PWM1DH read sequence: PWM1DH then PWM1DL
D5h	PWM2DH	7~0	PWM2DH	R/W	80H	PWM2 duty high byte write sequence: PWM2DL then PWM2DH read sequence: PWM2DH then PWM2DL
D6h	PWM2DL	7~0	PWM2DL	R/W	00H	PWM2 duty low byte write sequence: PWM2DL then PWM2DH read sequence: PWM2DH then PWM2DL
D8h	CLKCON	7	SCKTYPE	R/W	0	Slow clock Type. This bit can be changed only in Fast mode (SELFCK=1) 0: SRC 1: SXT, P2.0 and P2.1 are crystal pins
		6	FCKTYPE	R/W	0	Fast clock type. This bit can be changed only in Slow mode (SELFCK=0). 0: FRC 1: FXT, P2.0 and P2.1 are crystal pins, oscillator gain is high for FXT
		5	STPSCK	R/W	1	Set 1 to stop Slow clock after PD=1 (Halt / Stop mode control)
		4	STPPCK	R/W	0	Set 1 to stop UART/Timer0/1/2 clock in Idle mode for current reducing.
		3	STPFCK	R/W	0	Set 1 to stop Fast clock for power saving in Slow/Idle mode. This bit can be changed only in Slow mode.
		2	SELFCK	R/W	0	System clock select. This bit can be changed only when STPFCK=0. 0: Slow clock 1: Fast clock
		1~0	CLKPSC	R/W	11	System clock prescaler. Effective after 16 clock cycles (Max.) delay. 00: System clock is Fast/Slow clock divided by 16 01: System clock is Fast/Slow clock divided by 4 10: System clock is Fast/Slow clock divided by 2 11: System clock is Fast/Slow clock divided by 1
D9h	PWM0PRDH	7~0	PWM0PRDH	R/W	FFH	PWM0 period high byte write sequence: PWM0PRDL then PWM0PRDH read sequence: PWM0PRDH then PWM0PRDL
DAh	PWM0PRDL	7~0	PWM0PRDL	R/W	FFH	PWM0 period low byte write sequence: PWM0PRDL then PWM0PRDH read sequence: PWM0PRDH then PWM0PRDL
DBh	PWM1PRDH	7~0	PWM1PRDH	R/W	FFH	PWM1 period high byte write sequence: PWM1PRDL then PWM1PRDH read sequence: PWM1PRDH then PWM1PRDL
DCh	PWM1PRDL	7~0	PWM1PRDL	R/W	FFH	PWM1 period low byte write sequence: PWM1PRDL then PWM1PRDH read sequence: PWM1PRDH then PWM1PRDL
DDh	PWM2PRDH	7~0	PWM2PRDH	R/W	FFH	PWM2 period high byte write sequence: PWM2PRDL then PWM2PRDH read sequence: PWM2PRDH then PWM2PRDL
DEh	PWM2PRDL	7~0	PWM2PRDL	R/W	FFH	PWM2 period low byte write sequence: PWM2PRDL then PWM2PRDH read sequence: PWM2PRDH then PWM2PRDL
E0h	ACC	7~0	ACC	R/W	00h	Accumulator

Adr	SFR	Bit#	Bit Name	R/W	Rst	Description
E1h	MICON	7	MIEN	R/W	0	Master I ² C enable 0: disable 1: enable
		6	MIACKO	R/W	0	When Master I ² C receive data, send acknowledge to I ² C Bus 0: ACK to slave device 1: NACK to slave device
		5	MIIF	R/W	0	Master I ² C Interrupt flag 0: write 0 to clear it 1: Master I ² C transfer one byte complete
		4	MIACKI	R	–	When Master I ² C transfer, acknowledgement form I ² C bus (read only) 0: ACK received 1: NACK received
		3	MISTART	R/W	0	Master I ² C Start bit 1: start I ² C bus transfer
		2	MISTOP	R/W	1	Master I ² C Stop bit 1: send STOP signal to stop I ² C bus
		1~0	MICR	R/W	00	Master I ² C (SCL) clock frequency selection 00: Fsys/4 (ex. If Fsys=18MHz, I ² C clock is 4.5M Hz) 01: Fsys/16 (ex. If Fsys=18MHz, I ² C clock is 1.1M Hz) 10: Fsys/64 (ex. If Fsys=18MHz, I ² C clock is 281K Hz) 11: Fsys/256 (ex. If Fsys=18MHz, I ² C clock is 70K Hz)
E2h	MIDAT	7~0	MIDAT	R/W	00	Master I ² C data shift register (W): After Start and before Stop condition, write this register will resume transmission to I ² C bus (R): After Start and before Stop condition, read this register will resume receiving from I ² C bus
E6h	EXA	7~0	EXA	R/W	00h	Expansion accumulator
E7h	EXB	7~0	EXB	R/W	00h	Expansion B register
E9h	SIADR	7~1	SA	R/W	64h	Slave I ² C address assigned
		0	SIEN	R/W	0	Slave I ² C enable 0: disable 1: enable
EAh	SICON	7	MIIE	R/W	0	I ² C Master interrupt enable 0: disable 1: enable
		6	TXDIE	R/W	0	Slave I ² C transmission completed interrupt enable 0: disable 1: enable
		5	RCD2IE	R/W	0	Slave I ² C DATA2(SITXRCD2) reception completed interrupt enable 0: disable 1: enable
		4	RCD1IE	R/W	0	Slave I ² C DATA1(SIRCD1) reception completed interrupt enable 0: disable 1: enable
		2	TXDF	R/W	1	Slave I ² C transmission completed interrupt flag 0: write 0 to clear it 1: Set by H/W when Slave I ² C transmission complete
		1	RCD2F	R/W	0	Slave I ² C DATA2(SITXRCD2) reception completed interrupt flag 0: write 0 to clear it 1: Set by H/W when Slave I ² C DATA2(SITXRCD2) reception complete enable
		0	RCD1F	R/W	0	Slave I ² C DATA1(SIRCD1) reception completed interrupt flag 0: write 0 to clear it 1: Set by H/W when Slave I ² C DATA1(SIRCD1) reception complete
EBh	SIRCD1	7~0	SIRCD1	R	–	Slave I ² C data receive register1 (DATA1)
ECh	SITXRCD2	7~0	SITXRCD2	R/W	–	Slave I ² C transmit and receive data register Read: Slave I ² C data receive register2 (DATA2) Write: Slave I ² C data transmission register (TXD)
F0h	B	7~0	B	R/W	00h	B register
F1h	CRCDL	7~0	CRCDL	R/W	FFh	16-bit CRC data bit 7~0
F2h	CRCDH	7~0	CRCDH	R/W	FFh	16-bit CRC data bit 15~8

Adr	SFR	Bit#	Bit Name	R/W	Rst	Description
F3h	CRCIN	7~0	CRCIN	W	-	CRC input data
F5h	CFGBG	3~0	BGTRIM	R/W	-	VBG trimming value (Chip Reserved)
F6h	CFGWL	6~0	FRCF	R/W	-	FRC frequency adjustment 00h: lowest frequency 7Fh: highest frequency
F7h	AUX2	7~6	WDTE	R/W	-	Watchdog Timer Reset control 0x: WDT disable 10: WDT enable in Fast/Slow mode, disable in Idle/Halt/Stop mode 11: WDT always enable
		5	PWRSV	R/W	-	Power saving mode control 0: No power saving 1: Power saving, disable LVR in IDLE/HALT/STOP mode
		4	VBGOUT	R/W	0	Bandgap voltage output control 0: P3.2 as normal I/O 1: Bandgap voltage output to P3.2 pin, The additional condition VBGEN=1 (AEh.1) should be set.
		3	DIV32	R/W	0	only active when MULDV16 =1 0: instruction DIV as 16/16 bit division operation 1: instruction DIV as 32/16 bit division operation
		2~1	IAPTE	R/W	00	IAP watchdog timer enable 00: Disable 01: wait 0.8mS trigger watchdog time-out flag 10: wait 3.2mS trigger watchdog time-out flag 11: wait 6.4mS trigger watchdog time-out flag
		0	MULDIV16	R/W	0	0: instruction MUL/DIV as 8*8, 8/8 operation 1: instruction MUL/DIV as 16*16, 16/16 or 32/16 operation
F8h	AUX1	7	CLRWDT	R/W	0	Set 1 to clear WDT, H/W auto clear it at next clock cycle
		6	CLRTM3	R/W	0	Set 1 to clear Timer3, HW auto clear it at next clock cycle.
		5	TKSOC	R/W	0	Touch Key Start of Conversion Set 1 to start Touch Key conversion. If SYSCLK is fast enough, this bit will be cleared by H/W at the end of conversion. S/W can also write 0 to clear this flag.
		4	ADSOC	R/W	0	ADC Start of Conversion Set 1 to start ADC conversion. Cleared by H/W at the end of conversion. S/W can also write 0 to clear this flag.
		3	LVRPD	R/W	0	Low Voltage Reset function select 0: enable LVR 1: disable LVR
		2	T2SEL	R/W	0	Timer2 counter mode (CT2N=1) input select 0: P1.0 (T2) pin (8051 standard) 1: Slow clock divide by 16 (SLOWCLK/16)
		1	T1SEL	R/W	0	Timer1 counter mode (CT1N=1) input select 0: P3.5 (T1) pin (8051 standard) 1: Slow clock divide by 16 (SLOWCLK/16)
		0	DPSEL	R/W	0	Active DPTR Select

Adr	Flash	Bit#	Bit Name	Description
7FFFh	CFGWH	7	PROTN	Flash Code Protect, 0=Protect
		6	XRSTEN	External Pin Reset enable, 0=enable.
		5~3	LVRE	Low Voltage Reset function select 000: Set LVR at 2.2V 001: Set LVR at 2.42V 010: Set LVR at 2.64V 011: Set LVR at 2.86V 100: Set LVR at 3.08V 101: Set LVR at 3.32V 110: Set LVR at 3.56V 111: Set LVR at 3.8V
		1	MVCLOCKN	If 0, the MOVC & MOVX instruction's accessibility to MOVC-Lock area is limited.
		0	FRCPSC	FRC frequency select 0: 9.216MHz 1: 18.432MHz

INSTRUCTION SET

Instructions are 1, 2 or 3 bytes long as listed in the 'byte' column below. Each instruction takes 1~8 System clock cycles to execute as listed in the 'cycle' column below.

ARITHMETIC				
Mnemonic	Description	byte	cycle	opcode
ADD A,Rn	Add register to A	1	2	28-2F
ADD A,dir	Add direct byte to A	2	2	25
ADD A,@Ri	Add indirect memory to A	1	2	26-27
ADD A,#data	Add immediate to A	2	2	24
ADDC A,Rn	Add register to A with carry	1	2	38-3F
ADDC A,dir	Add direct byte to A with carry	2	2	35
ADDC A,@Ri	Add indirect memory to A with carry	1	2	36-37
ADDC A,#data	Add immediate to A with carry	2	2	34
SUBB A,Rn	Subtract register from A with borrow	1	2	98-9F
SUBB A,dir	Subtract direct byte from A with borrow	2	2	95
SUBB A,@Ri	Subtract indirect memory from A with borrow	1	2	96-97
SUBB A,#data	Subtract immediate from A with borrow	2	2	94
INC A	Increment A	1	2	04
INC Rn	Increment register	1	2	08-0F
INC dir	Increment direct byte	2	2	05
INC @Ri	Increment indirect memory	1	2	06-07
DEC A	Decrement A	1	2	14
DEC Rn	Decrement register	1	2	18-1F
DEC dir	Decrement direct byte	2	2	15
DEC @Ri	Decrement indirect memory	1	2	16-17
INC DPTR	Increment data pointer	1	4	A3
MUL AB	Multiply A by B	1	8 / 16	A4
DIV AB	Divide A by B	1	8/16/32	84
DA A	Decimal Adjust A	1	2	D4

LOGICAL				
Mnemonic	Description	byte	cycle	opcode
ANL A,Rn	AND register to A	1	2	58-5F
ANL A,dir	AND direct byte to A	2	2	55
ANL A,@Ri	AND indirect memory to A	1	2	56-57
ANL A,#data	AND immediate to A	2	2	54
ANL dir,A	AND A to direct byte	2	2	52
ANL dir,#data	AND immediate to direct byte	3	4	53
ORL A,Rn	OR register to A	1	2	48-4F
ORL A,dir	OR direct byte to A	2	2	45
ORL A,@Ri	OR indirect memory to A	1	2	46-47
ORL A,#data	OR immediate to A	2	2	44
ORL dir,A	OR A to direct byte	2	2	42
ORL dir,#data	OR immediate to direct byte	3	4	43
XRL A,Rn	Exclusive-OR register to A	1	2	68-6F
XRL A,dir	Exclusive-OR direct byte to A	2	2	65
XRL A,@Ri	Exclusive-OR indirect memory to A	1	2	66-67
XRL A,#data	Exclusive-OR immediate to A	2	2	64
XRL dir,A	Exclusive-OR A to direct byte	2	2	62
XRL dir,#data	Exclusive-OR immediate to direct byte	3	4	63
CLR A	Clear A	1	2	E4
CPL A	Complement A	1	2	F4
SWAP A	Swap Nibbles of A	1	2	C4

LOGICAL				
Mnemonic	Description	byte	cycle	opcode
RL A	Rotate A left	1	2	23
RLC A	Rotate A left through carry	1	2	33
RR A	Rotate A right	1	2	03
RRC A	Rotate A right through carry	1	2	13

DATA TRANSFER				
Mnemonic	Description	byte	cycle	opcode
MOV A,Rn	Move register to A	1	2	E8-EF
MOV A,dir	Move direct byte to A	2	2	E5
MOV A,@Ri	Move indirect memory to A	1	2	E6-E7
MOV A,#data	Move immediate to A	2	2	74
MOV Rn,A	Move A to register	1	2	F8-FF
MOV Rn,dir	Move direct byte to register	2	4	A8-AF
MOV Rn,#data	Move immediate to register	2	2	78-7F
MOV dir,A	Move A to direct byte	2	2	F5
MOV dir,Rn	Move register to direct byte	2	4	88-8F
MOV dir,dir	Move direct byte to direct byte	3	4	85
MOV dir,@Ri	Move indirect memory to direct byte	2	4	86-87
MOV dir,#data	Move immediate to direct byte	3	4	75
MOV @Ri,A	Move A to indirect memory	1	2	F6-F7
MOV @Ri,dir	Move direct byte to indirect memory	2	4	A6-A7
MOV @Ri,#data	Move immediate to indirect memory	2	2	76-77
MOV DPTR,#data	Move immediate to data pointer	3	4	90
MOVC A,@A+DPTR	Move code byte relative DPTR to A	1	4	93
MOVC A,@A+PC	Move code byte relative PC to A	1	4	83
MOVX A,@Ri	Move external data(A8) to A	1	4	E2-E3
MOVX A,@DPTR	Move external data(A16) to A	1	4	E0
MOVX @Ri,A	Move A to external data(A8)	1	4	F2-F3
MOVX @DPTR,A	Move A to external data(A16)	1	4	F0
PUSH dir	Push direct byte onto stack	2	4	C0
POP dir	Pop direct byte from stack	2	4	D0
XCH A,Rn	Exchange A and register	1	2	C8-CF
XCH A,dir	Exchange A and direct byte	2	2	C5
XCH A,@Ri	Exchange A and indirect memory	1	2	C6-C7
XCHD A,@Ri	Exchange A and indirect memory nibble	1	2	D6-D7

BOOLEAN				
Mnemonic	Description	byte	cycle	opcode
CLR C	Clear carry	1	2	C3
CLR bit	Clear direct bit	2	2	C2
SETB C	Set carry	1	2	D3
SETB bit	Set direct bit	2	2	D2
CPL C	Complement carry	1	2	B3
CPL bit	Complement direct bit	2	2	B2
ANL C,bit	AND direct bit to carry	2	4	82
ANL C,/bit	AND direct bit inverse to carry	2	4	B0
ORL C,bit	OR direct bit to carry	2	4	72
ORL C,/bit	OR direct bit inverse to carry	2	4	A0
MOV C,bit	Move direct bit to carry	2	2	A2
MOV bit,C	Move carry to direct bit	2	4	92

BRANCHING				
Mnemonic	Description	byte	cycle	opcode
ACALL addr 11	Absolute jump to subroutine	2	4	11-F1
LCALL addr 16	Long jump to subroutine	3	4	12
RET	Return from subroutine	1	4	22
RETI	Return from interrupt	1	4	32
AJMP addr 11	Absolute jump unconditional	2	4	01-E1
LJMP addr 16	Long jump unconditional	3	4	02
SJMP rel	Short jump (relative address)	2	4	80
JC rel	Jump on carry = 1	2	4	40
JNC rel	Jump on carry = 0	2	4	50
JB bit,rel	Jump on direct bit = 1	3	4	20
JNB bit,rel	Jump on direct bit = 0	3	4	30
JBC bit,rel	Jump on direct bit = 1 and clear	3	4	10
JMP @A+DPTR	Jump indirect relative DPTR	1	4	73
JZ rel	Jump on accumulator = 0	2	4	60
JNZ rel	Jump on accumulator \neq 0	2	4	70
CJNE A,dir,rel	Compare A,direct, jump not equal relative	3	4	B5
CJNE A,#data,rel	Compare A,immediate, jump not equal relative	3	4	B4
CJNE Rn,#data,rel	Compare register,immediate, jump not equal relative	3	4	B8-BF
CJNE @Ri,#data,rel	Compare indirect,immediate, jump not equal relative	3	4	B6-B7
DJNZ Rn,rel	Decrement register, jump not zero relative	2	4	D8-DF
DJNZ dir,rel	Decrement direct byte, jump not zero relative	3	4	D5

MISCELLANEOUS				
Mnemonic	Description	byte	cycle	opcode
NOP	No operation	1	2	00

In the above table, an entry such as E8-EF indicates a continuous block of hex opcodes used for 8 different registers, the register numbers of which are defined by the lowest three bits of the corresponding code. Non-continuous blocks of codes, shown as 11-F1 (for example), are used for absolute jumps and calls with the top 3 bits of the code being used to store the top three bits of the destination address.

ELECTRICAL CHARACTERISTICS

1. Absolute Maximum Ratings ($T_A=25^\circ\text{C}$)

Parameter	Rating	Unit
Supply voltage	$V_{SS} - 0.3 \sim V_{SS} + 5.5$	V
Input voltage	$V_{SS} - 0.3 \sim V_{CC} + 0.3$	
Output voltage	$V_{SS} - 0.3 \sim V_{CC} + 0.3$	
All pins output current high	-80	mA
All pins output current low	+150	
Maximum Operating Voltage	5.5	V
Operating temperature	-40 ~ +105	°C
Storage temperature	-65 ~ +150	

2. DC Characteristics ($T_A=25\text{ }^\circ\text{C}$, $V_{CC}=2.2\text{V} \sim 5.5\text{V}$)

Parameter	Symbol	Conditions		Min	Typ	Max	Unit
Operating Voltage	V_{CC}	$F_{SYSCLK}=18.432\text{ MHz}$		2.2	–	5.5	V
Input High Voltage	V_{IH}	All Input	$V_{CC}=5\text{V}$	$0.6V_{CC}$	–	–	V
			$V_{CC}=3\text{V}$	$0.6V_{CC}$	–	–	V
Input Low Voltage	V_{IL}	All Input	$V_{CC}=5\text{V}$	–	–	$0.2V_{CC}$	V
			$V_{CC}=3\text{V}$	–	–	$0.2V_{CC}$	V
I/O Port Source Current	I_{OH}	All Output	$V_{CC}=5\text{V}$, $V_{OH}=0.9V_{CC}$	6	12	–	mA
			$V_{CC}=5\text{V}$, $V_{OH}=0.6V_{CC}$	15	30	–	
			$V_{CC}=3\text{V}$, $V_{OH}=0.9V_{CC}$	2.5	5	–	
			$V_{CC}=3\text{V}$, $V_{OH}=0.6V_{CC}$	7	13	–	
I/O Port Sink Current	I_{OL}	All Output,	$V_{CC}=5\text{V}$, $V_{OL}=0.1V_{CC}$	60	80	–	mA
			$V_{CC}=3\text{V}$, $V_{OL}=0.1V_{CC}$	20	30	–	
Supply Current	I_{DD}	FAST mode	FRC=18.432 MHz $V_{CC}=5\text{V}$	–	3.4	–	mA
			FRC=18.432 MHz $V_{CC}=3\text{V}$	–	3.2	–	
		SLOW mode	$V_{CC}=5\text{V}$	–	200	–	μA
			$V_{CC}=3\text{V}$	–	180	–	
		IDLE mode PWRSAV=0	SRC, $V_{CC}=5\text{V}$	–	172	–	
			SRC, $V_{CC}=3\text{V}$	–	155	–	
		IDLE mode PWRSAV=1	$V_{CC}=5\text{V}$	–	155	–	
			$V_{CC}=3\text{V}$	–	140	–	
		STOP mode PWRSAV=0	$V_{CC}=5\text{V}$	–	64	–	
			$V_{CC}=3\text{V}$	–	54	–	
		STOP mode PWRSAV=1	$V_{CC}=5\text{V}$	–	12	–	
			$V_{CC}=3\text{V}$	–	5	–	
HALT mode PWRSAV=0	$V_{CC}=5\text{V}$	–	68	–			
	$V_{CC}=3\text{V}$	–	56	–			
HALT mode PWRSAV=1	$V_{CC}=5\text{V}$	–	15	–			
	$V_{CC}=3\text{V}$	–	7	–			
System Clock Frequency	F_{SYSCLK}	$V_{CC} > LVR_{TH}$	$V_{CC}=2.2\text{V}$	–	–	18.432	MHz

Parameter	Symbol	Conditions		Min	Typ	Max	Unit
LVR Reference Voltage	V_{LVR}	$T_A=25^\circ\text{C}$		–	2.2	–	V
				–	2.42	–	
				–	2.64	–	
				–	2.86	–	
				–	3.08	–	
				–	3.32	–	
				–	3.56	–	
LVR Hysteresis Voltage	V_{HYST}	$T_A=25^\circ\text{C}$		–	± 0.1	–	V
LVD Reference Voltage	V_{LVD}	$T_A=25^\circ\text{C}$		–	2.2	–	V
				–	2.42	–	
				–	2.64	–	
				–	2.86	–	
				–	3.08	–	
				–	3.32	–	
				–	3.56	–	
Low Voltage Detection time	t_{LVR}	$T_A=25^\circ\text{C}$		100	–	–	μs
Pull-Up Resistor	R_P	$V_{IN}=0\text{V}$	$V_{CC}=5\text{V}$	–	35	–	K Ω
			$V_{CC}=3\text{V}$	–	60	–	

3. Program memory Characteristics ($T_A = -40^\circ\text{C} \sim +105^\circ\text{C}$)

Parameter	Symbol	Conditions	Min	Typ	Max	Unit
Page erase time	T_{FER}	–	–	2	–	ms
Program time	T_{FWR}	–	–	20	–	μs
Product endurance	E_p	–	100K	–	–	E/W

4. Clock Timing ($T_A = -40^\circ\text{C} \sim +105^\circ\text{C}$)

Parameter	Condition	Min	Typ	Max	Unit
FRC Frequency	$-20^\circ\text{C} \sim 70^\circ\text{C}, V_{CC}=5.0\text{V}$	-1%	18.432	+1%	MHz
	$-40^\circ\text{C} \sim 105^\circ\text{C}, V_{CC}=5.0\text{V}$	-1.5%	18.432	+1.5%	
	$25^\circ\text{C}, V_{CC}=2.5 \sim 5.0\text{V}$	-2%	18.432	+1%	
	$-40^\circ\text{C} \sim 105^\circ\text{C}, V_{CC}=2.5 \sim 5.0\text{V}$	-5.5%	18.432	+1.5%	

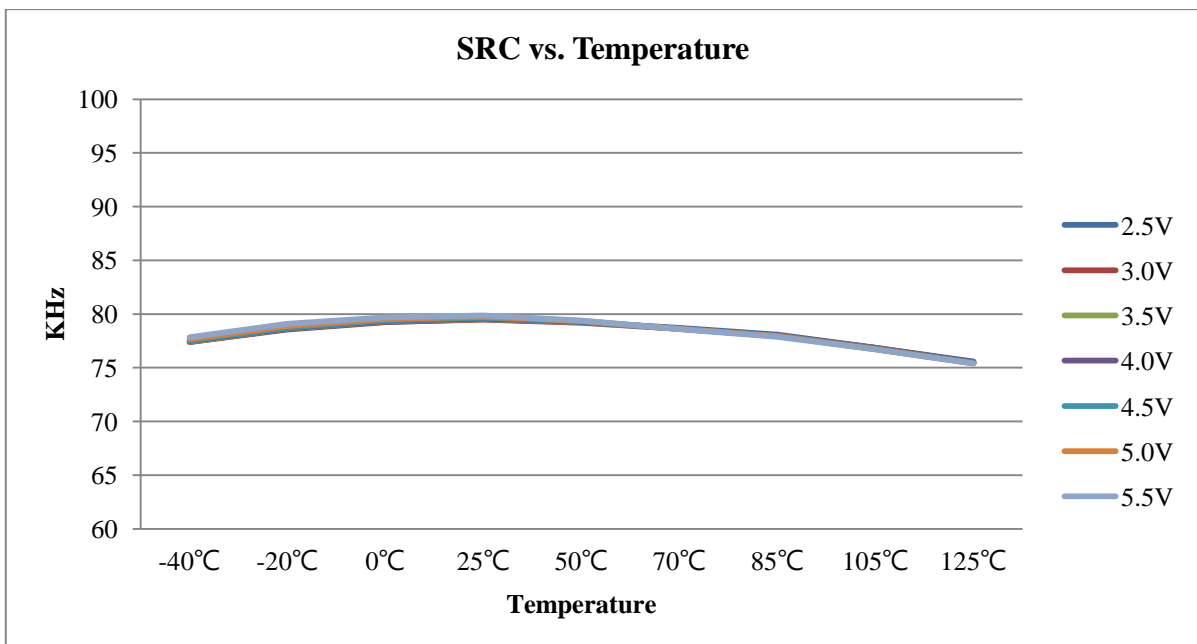
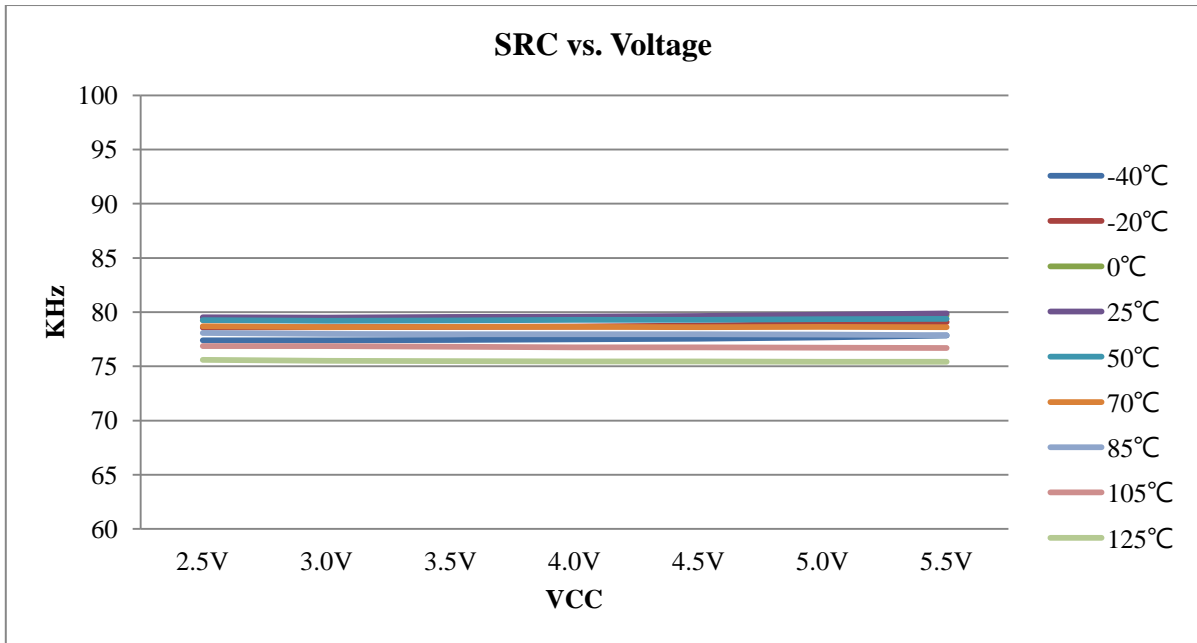
5. Reset Timing Characteristics ($T_A = -40^\circ\text{C} \sim +85^\circ\text{C}$)

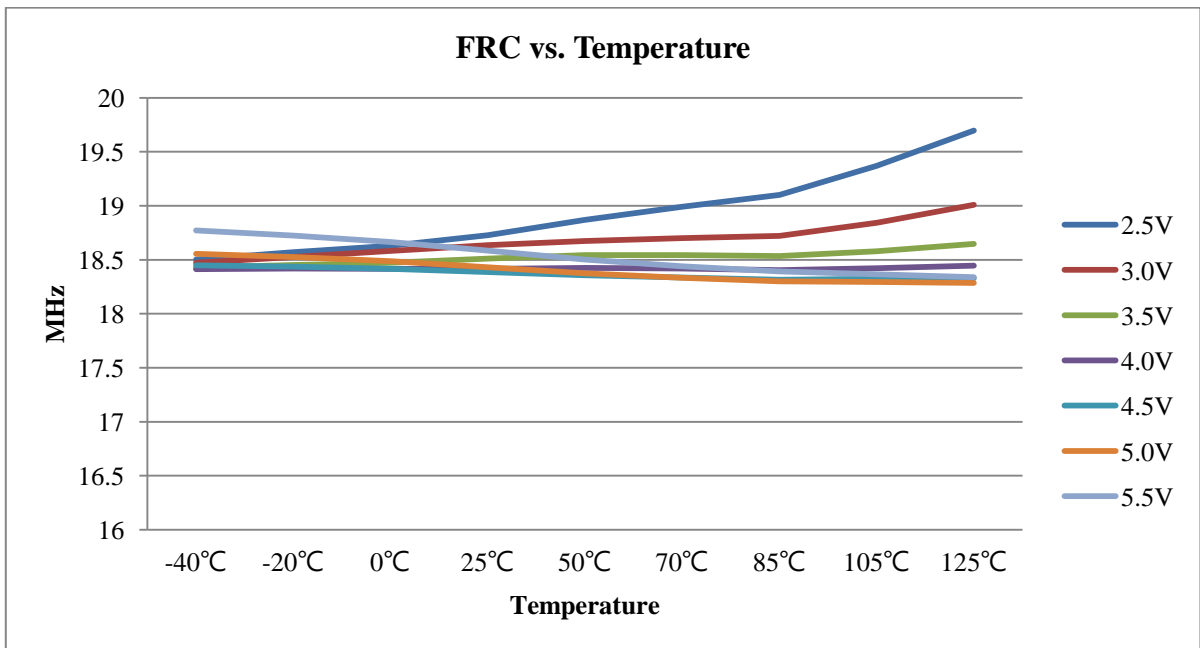
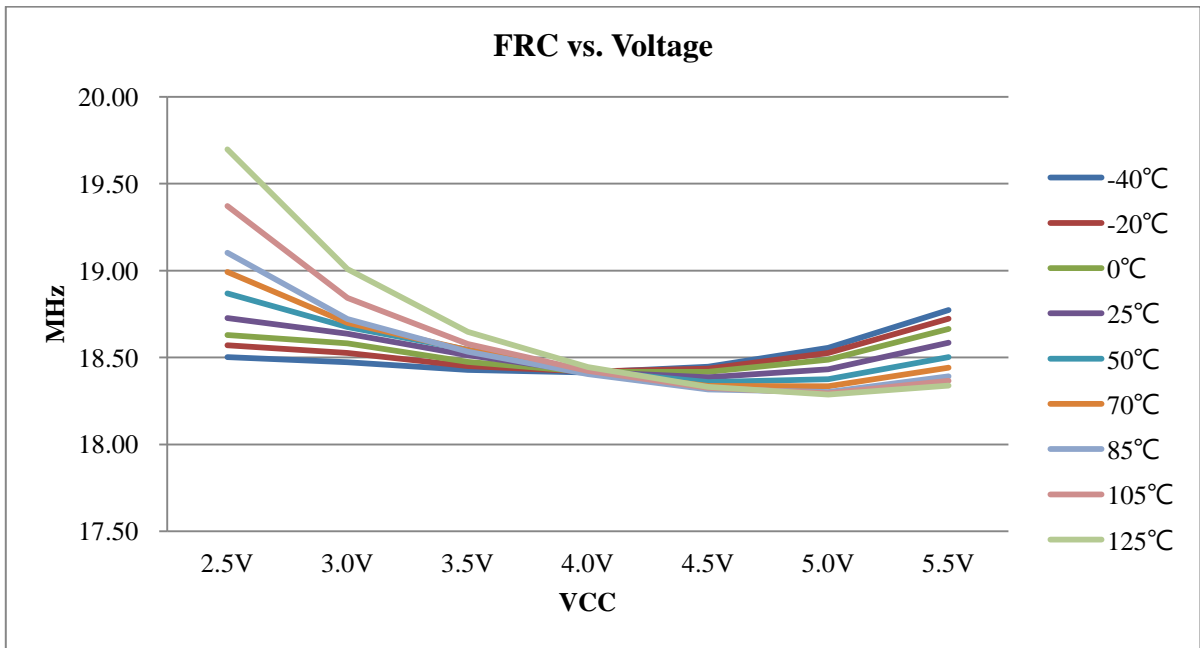
Parameter	Conditions	Min	Typ	Max	Unit
RESET Input Low width	Input $V_{CC}=5\text{V} \pm 10\%$	30	-	-	μs
WDT wakeup time	$V_{CC}=5\text{V}, \text{WDTPSC}=11$	-	55	-	ms
	$V_{CC}=3\text{V}, \text{WDTPSC}=11$	-	57	-	

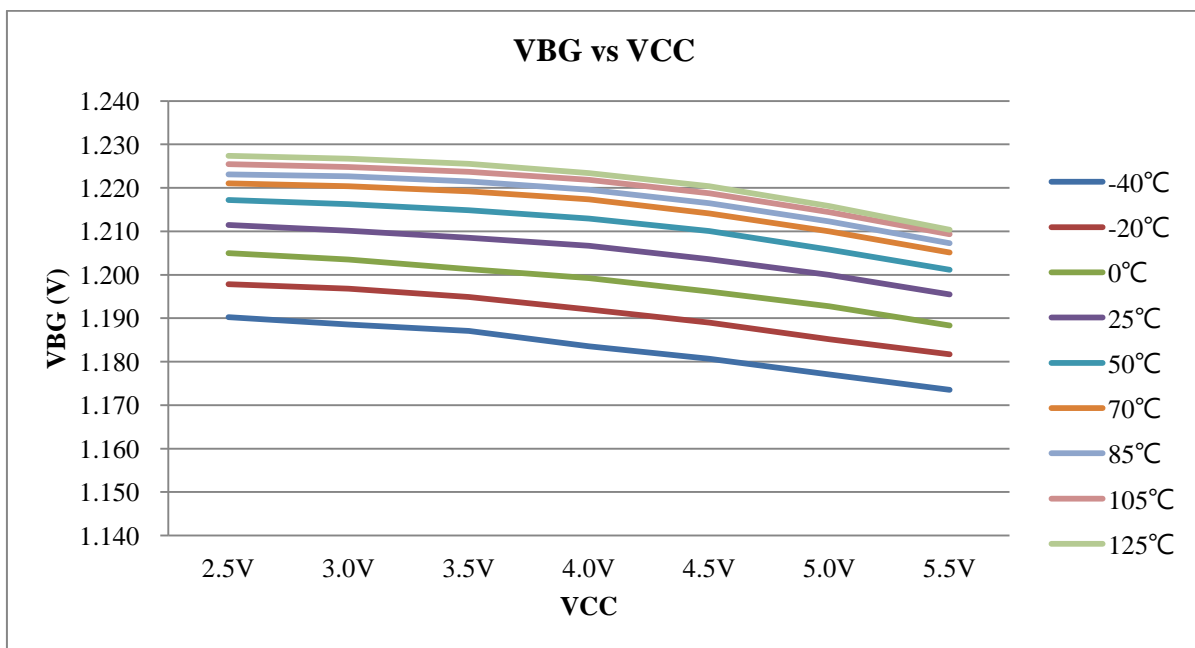
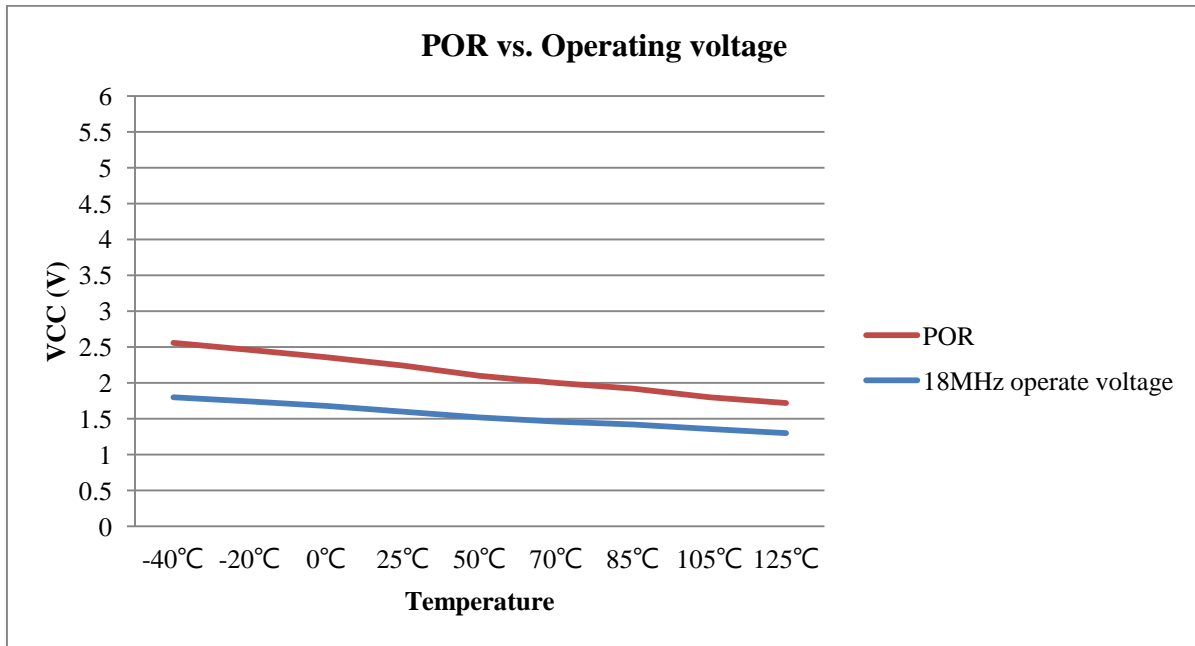
6. ADC Electrical Characteristics ($T_A = 25^\circ\text{C}, V_{CC} = 3.0\text{V} \sim 5.5\text{V}, V_{SS} = 0\text{V}$)

Parameter	Conditions	Min	Typ	Max	Unit
Total Accuracy	$V_{CC}=5.12\text{V}, V_{SS}=0\text{V}$	-	± 2.5	± 4	LSB
Integral Non-Linearity		-	± 3.2	± 5	
Max Input Clock (f_{ADC})	Source impedance ($R_s < 10\text{K ohm}$)	-	-	2	MHz
	Source impedance ($R_s < 20\text{K ohm}$)	-	-	1	
	Source impedance ($R_s < 50\text{K ohm}$)	-	-	0.5	
	Source is VBG (ADCHS=1011b)	-	-	0.5	
Conversion Time	$F_{\text{ADC}} = 1\text{MHz}$	-	50	-	μs
Bandgap Reference Voltage (V_{BG})	$V_{CC}=5\text{V}$ $0^\circ\text{C} \sim 70^\circ\text{C}$	-1%	1.2	+1%	V
	$V_{CC}=2.5 \sim 5\text{V}$ $-40^\circ\text{C} \sim 105^\circ\text{C}$	-2.5%	1.2	+2.5%	
$V_{CC}/4$ Reference Voltage ($V_{1/4}$)	-	$V_{CC}=5\text{V}, 25^\circ\text{C}$	-0.8%	1.26	+0.8%
		$V_{CC}=3.6\text{V}, 25^\circ\text{C}$	-0.8%	0.907	+0.8%
Input Voltage	-	V_{SS}	-	V_{CC}	

7. Characteristic Graphs





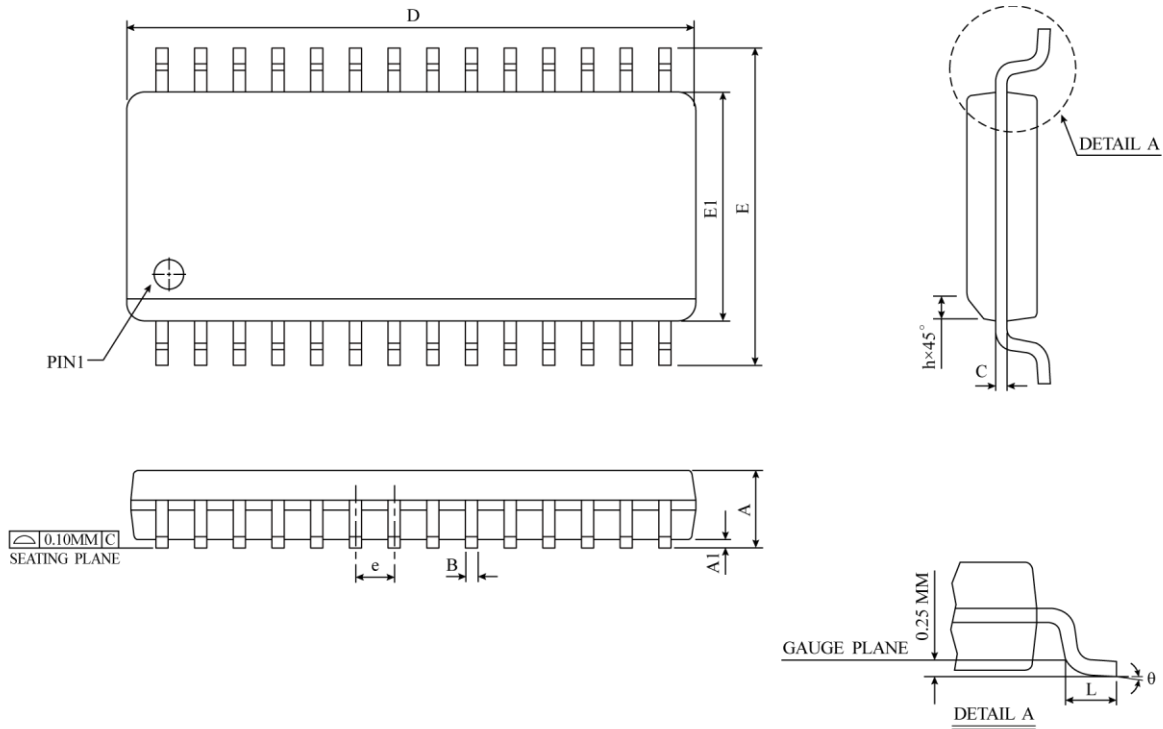


Package and Dice Information

Please note that the package information provided is for reference only. Since this information is frequently updated, users can contact Sales to consult the latest package information and stocks.

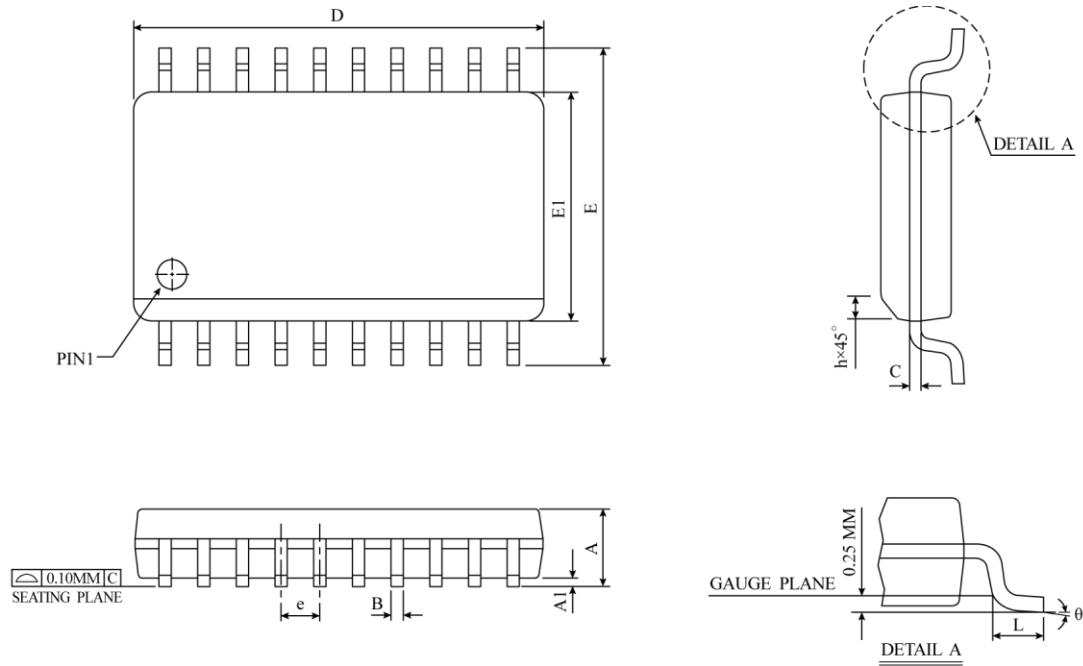
Ordering information

Ordering number	Package
TM52eF1375-MTP	Wafer/Dice blank chip
TM52eF1374-MTP	Wafer/Dice blank chip
TM52eF1375-COD	Wafer/Dice with code
TM52eF1374-COD	Wafer/Dice with code
TM52eF1375-MTP-23	SOP 28-pin (300 mil)
TM52eF1374-MTP-23	SOP 28-pin (300 mil)
TM52eF1375-MTP-21	SOP 20-pin (300 mil)
TM52eF1374-MTP-21	SOP 20-pin (300 mil)
TM52eF1375- MTP-16	SOP 16-pin (150 mil)
TM52eF1374- MTP-16	SOP 16-pin (150 mil)
TM52eF1375-MTP-46	TSSOP 20-pin (173 mil)
TM52eF1374-MTP-46	TSSOP 20-pin (173 mil)
TM52eF1375- MTP-28	SSOP 24-pin (150 mil)
TM52eF1374- MTP-28	SSOP 24-pin (150 mil)
TM52eF1375-MTP-D1	QFN 20-pin (3*3*0.75-0.4mm)
TM52eF1374-MTP-D1	QFN 20-pin (3*3*0.75-0.4mm)

Package Information
SOP-28 (300mil) Package Dimension


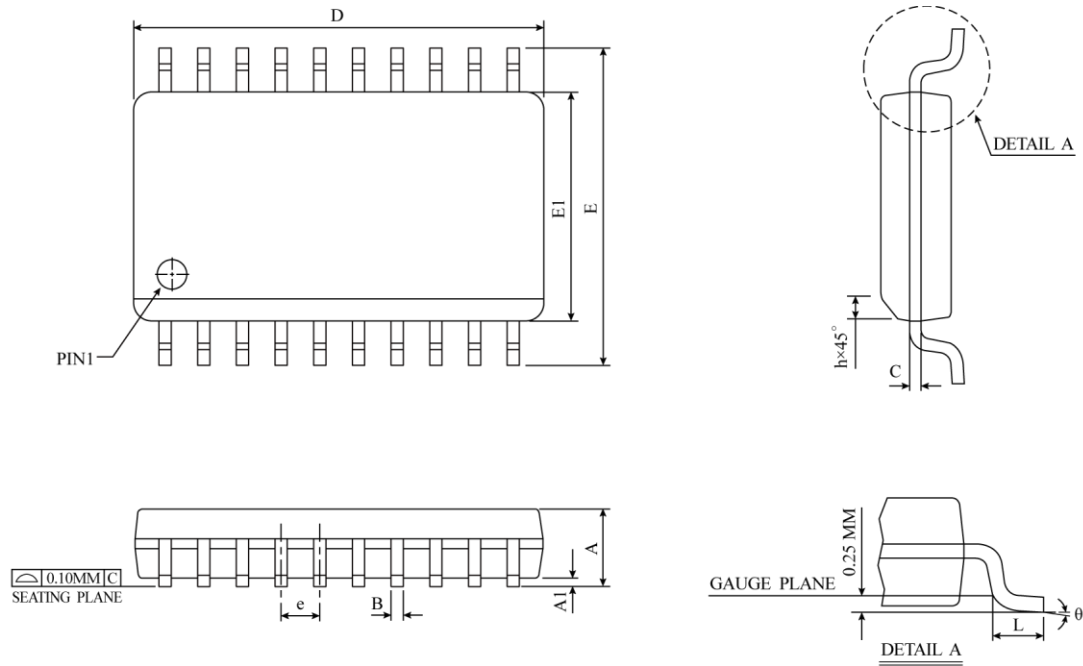
SYMBOL	DIMENSION IN MM			DIMENSION IN INCH		
	MIN	NOM	MAX	MIN	NOM	MAX
A	2.35	2.50	2.65	0.0926	0.0985	0.1043
A1	0.10	0.20	0.30	0.0040	0.0079	0.0118
B	0.33	0.42	0.51	0.0130	0.0165	0.0200
C	0.23	0.28	0.32	0.0091	0.0108	0.0125
D	17.70	17.90	18.10	0.6969	0.7047	0.7125
E	10.00	10.33	10.65	0.3940	0.4425	0.4910
E1	7.40	7.50	7.60	0.2914	0.2953	0.2992
e	1.27 BSC			0.050 BSC		
h	0.25	0.50	0.75	0.0100	0.0195	0.0290
L	0.40	0.84	1.27	0.0160	0.0330	0.0500
θ	0°	4°	8°	0°	4°	8°
JEDEC	MS-013 (AE)					

△ * NOTES : DIMENSION " D " DOES NOT INCLUDE MOLD FLASH, PROTRUSIONS OR GATE BURRS.
MOLD FLASH, PROTRUSIONS AND GATE BURRS SHALL
NOT EXCEED 0.15 MM (0.006 INCH) PER SIDE.

SOP-20 (300mil) Package Dimension


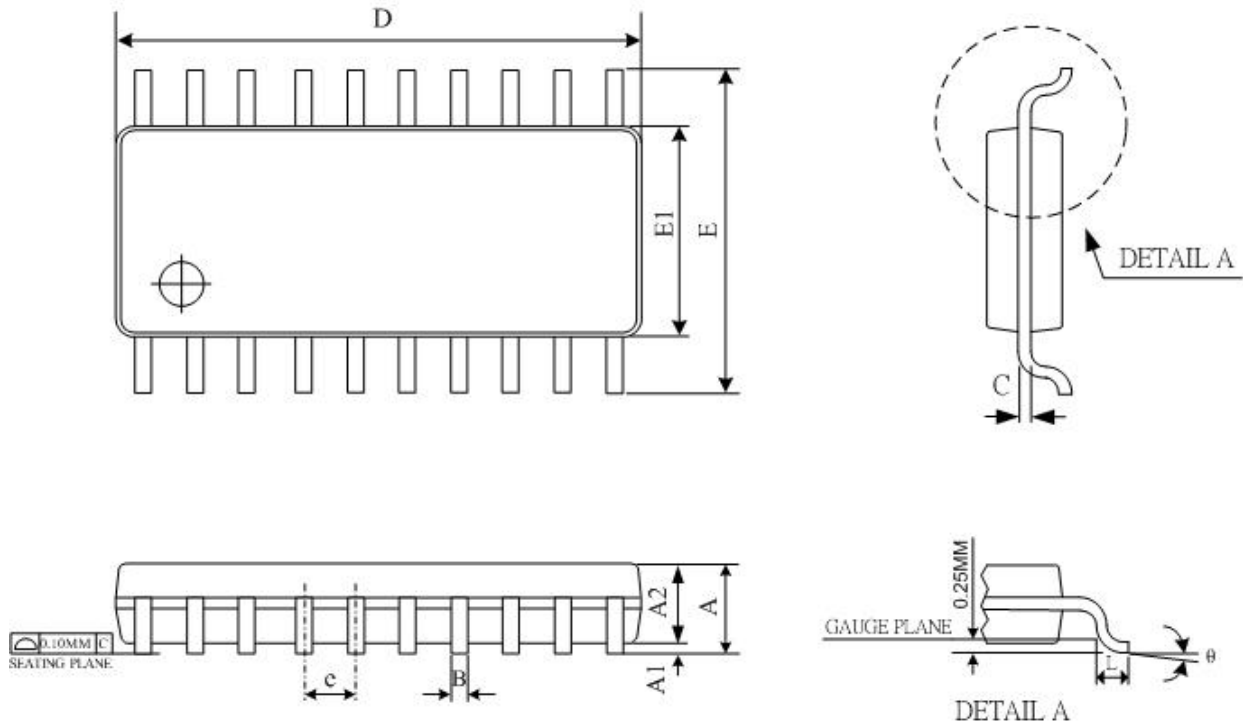
SYMBOL	DIMENSION IN MM			DIMENSION IN INCH		
	MIN	NOM	MAX	MIN	NOM	MAX
A	2.35	2.50	2.65	0.0926	0.0985	0.1043
A1	0.10	0.20	0.30	0.0040	0.0079	0.0118
B	0.33	0.42	0.51	0.0130	0.0165	0.0200
C	0.23	0.28	0.32	0.0091	0.0108	0.0125
D	12.60	12.80	13.00	0.4961	0.5040	0.5118
E	10.00	10.33	10.65	0.3940	0.4425	0.4910
E1	7.40	7.50	7.60	0.2914	0.2953	0.2992
e	1.27 BSC			0.050 BSC		
h	0.25	0.50	0.75	0.0100	0.0195	0.0290
L	0.40	0.84	1.27	0.0160	0.0330	0.0500
θ	0°	4°	8°	0°	4°	8°
JEDEC	MS-013 (AC)					

△ * NOTES : DIMENSION "D" DOES NOT INCLUDE MOLD FLASH, PROTRUSIONS OR GATE BURRS.
MOLD FLASH, PROTRUSIONS AND GATE BURRS SHALL
NOT EXCEED 0.15 MM (0.006 INCH) PER SIDE.

SOP-16 (150mil) Package Dimension


SYMBOL	DIMENSION IN MM			DIMENSION IN INCH		
	MIN	NOM	MAX	MIN	NOM	MAX
A	2.35	2.50	2.65	0.0926	0.0985	0.1043
A1	0.10	0.20	0.30	0.0040	0.0079	0.0118
B	0.33	0.42	0.51	0.0130	0.0165	0.0200
C	0.23	0.28	0.32	0.0091	0.0108	0.0125
D	12.60	12.80	13.00	0.4961	0.5040	0.5118
E	10.00	10.33	10.65	0.3940	0.4425	0.4910
E1	7.40	7.50	7.60	0.2914	0.2953	0.2992
e	1.27 BSC			0.050 BSC		
h	0.25	0.50	0.75	0.0100	0.0195	0.0290
L	0.40	0.84	1.27	0.0160	0.0330	0.0500
θ	0°	4°	8°	0°	4°	8°
JEDEC	MS-013 (AC)					

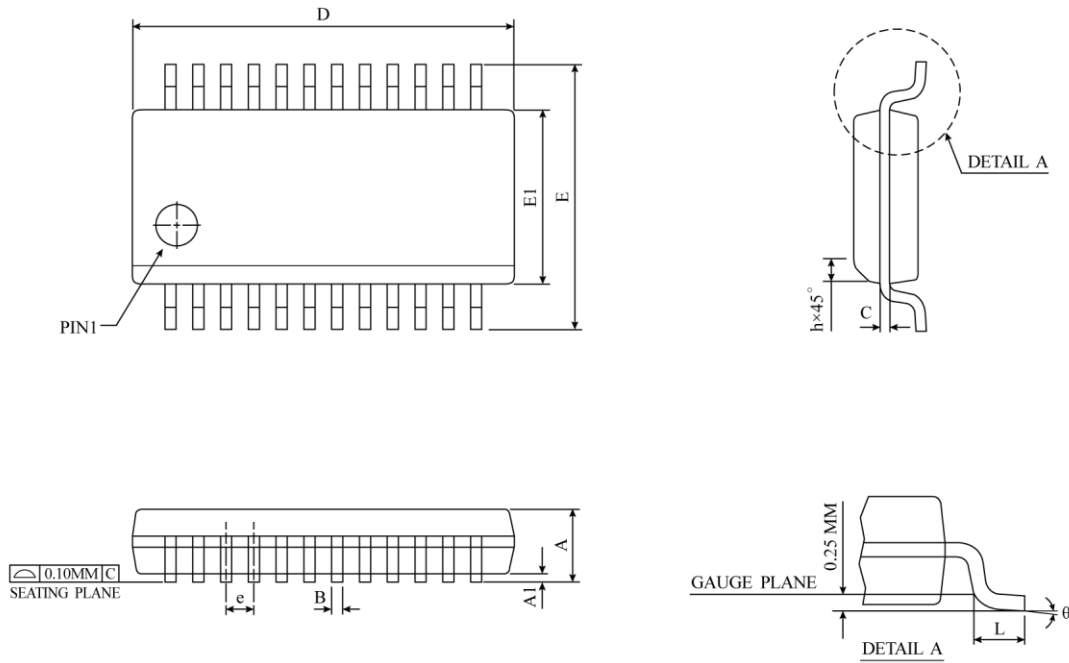
△ * NOTES : DIMENSION "D" DOES NOT INCLUDE MOLD FLASH, PROTRUSIONS OR GATE BURRS.
MOLD FLASH, PROTRUSIONS AND GATE BURRS SHALL
NOT EXCEED 0.15 MM (0.006 INCH) PER SIDE.

TSSOP-20 (173mil) Package Dimension


SYMBOL	DIMENSION IN MM			DIMENSION IN INCH		
	MIN	NOM	MAX	MIN	NOM	MAX
A	-	-	1.2	-	-	0.047
A1	0.05	0.10	0.15	0.002	0.004	0.006
A2	0.8	0.93	1.05	0.031	0.036	0.041
B	0.19	-	0.3	0.007	-	0.012
D	6.4	6.5	6.6	0.252	0.256	0.260
E	6.25	6.4	6.55	0.246	0.252	0.258
E1	4.3	4.4	4.5	0.169	0.173	0.177
e	0.65 BSC			0.026 BSC		
L	0.45	0.60	0.75	0.018	0.024	0.030
θ	0 °		8 °	0 °		8 °
JEDEC	MO-153 AC REV.F					

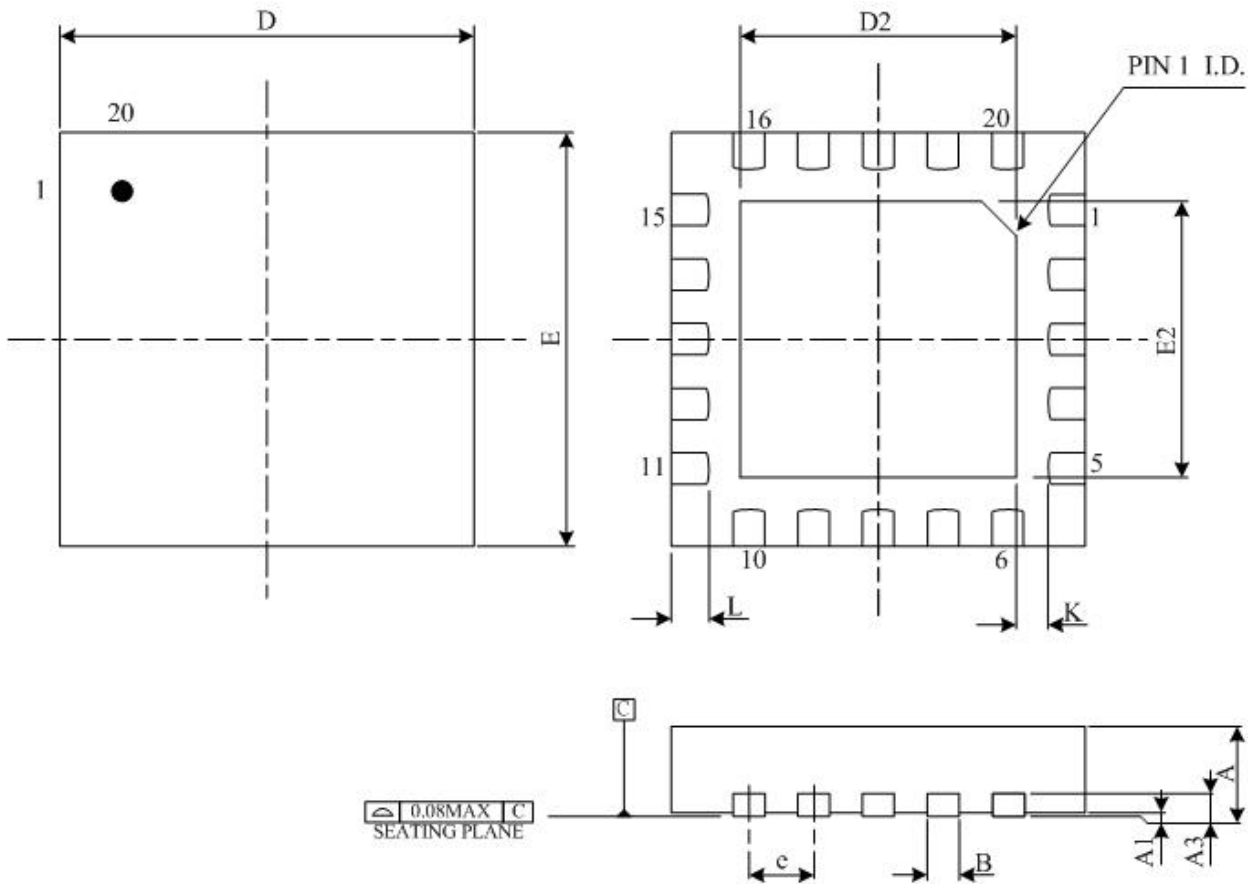
Notes :

1. DIMENSION "D" DOES NOT INCLUDE MOLD FLASH, PROTRUSIONS OR GATE BURRS. MOLD FLASH, PROTRUSIONS OR GATE BURRS SHALL NOT EXCEED 0.15 PER SIDE.
2. DIMENSION "E1" DOES NOT INCLUDE INTERLEAD FLASH OR PROTRUSION. INTERLEAD FLASH OR PROTRUSION SHALL NOT EXCEED 0.25 PER SIDE.
3. DIMENSION "B" DOES NOT INCLUDE DAMBAR PROTRUSION. ALLOWABLE DAMBAR PROTRUSION SHALL BE 0.08MM TOTAL IN EXCESS OF THE "B" DIMENSION AT MAXIMUM MATERIAL CONDITION. DAMBAR CANNOT BE LOCATED ON THE LOWER RADIUS OF THE FOOT. MINIMUM SPACE BETWEEN PROTRUSION AND ADJACENT LEAD IS 0.07MM.

SSOP-24 (150mil) Package Dimension


SYMBOL	DIMENSION IN MM			DIMENSION IN INCH		
	MIN	NOM	MAX	MIN	NOM	MAX
A	1.35	1.55	1.75	0.053	0.061	0.069
A1	0.10	0.18	0.25	0.004	0.007	0.010
A2	-	-	1.50	-	-	0.059
B	0.20	0.25	0.30	0.008	0.010	0.012
C	0.18	0.22	0.25	0.007	0.009	0.010
D	8.56	8.65	8.74	0.337	0.341	0.344
E	5.79	6.00	6.20	0.228	0.236	0.244
E1	3.81	3.90	3.99	0.150	0.154	0.157
e	0.635 BSC			0.025 BSC		
L	0.41	0.84	1.27	0.016	0.033	0.050
θ	0°	4°	8°	0°	4°	8°
JEDEC	M0-137 (AE)					

Δ *NOTES : DIMENSION "D" DOES NOT INCLUDE MOLD PROTRUSIONS OR GAT BURRS.
 MOLD PROTRUSIONS AND GATE BURRS SHALL NOT EXCEED 0.006 INCH PER SIDE.

QFN 20 (3*3*0.75-0.4mm) (L=0.25mm) Package Dimension


SYMBOL	DIMENSION IN MM			DIMENSION IN INCH		
	MIN	NOM	MAX	MIN	NOM	MAX
A	0.70	0.75	0.80	0.028	0.030	0.031
A1	0.00	0.02	0.05	0.00	0.001	0.002
A3	0.203 REF			0.008 REF		
B	0.15	0.20	0.25	0.006	0.008	0.010
D	3 BSC			0.118 BSC		
E	3 BSC			0.118 BSC		
D2	1.80	1.90	2.00	0.071	0.075	0.079
E2	1.80	1.90	2.00	0.071	0.075	0.079
e	0.40 BSC			0.016 BSC		
L	0.15	0.25	0.35	0.006	0.010	0.014
K	0.30 REF			0.012 REF		
JEDEC	MO-220					