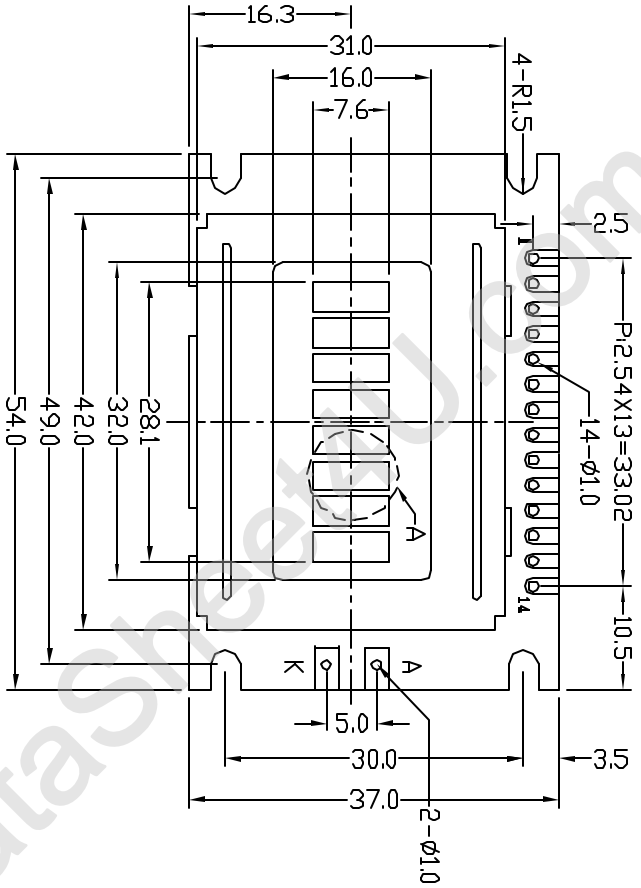


液晶之友 电话: 020-33819057

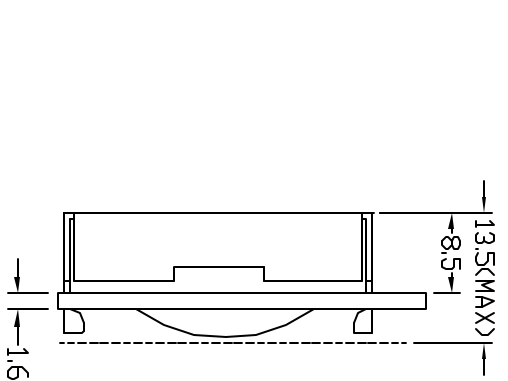
Http://www.lcdfriends.com



1	2	3	4	5	6	7	8	9	10	11	12	13	14	A	A	K	K
Vss	Vcc	Vee	RS	R/W	E	DB0	DB1	DB2	DB3	DB4	DB5	DB6	DB7	LED+	LED-		

NOTES:

- 1.DISPLAY TYPE: STN/Y-G MODE
- 2.VIEWING DIRECTION: 6:00
- 3.POLARIZER MODE: TRANSPARENT/POSITIVE
- 4.DRIVE METHOD: 1/11 DUTY 1/5 BIAS
- 5.LCD OPERATING VOLTAGE: 4.5V
- 6.OPERATING TEMP: -20°C~+70°C
- 7.STORAGE TEMP: -30°C~+80°C
- 8.CONTROLLER: S6A0069X01-C0CX
- 9.BACKLIGHT: LED(4.2V/AMBER 586nm)
- 10.BEZEL IS TO BE PAINTED BLACK
- 11.UNMARKED TOLERANCES: ±0.3mm



TIAN-MA MICROELECTRONICS CO.
 22/F, HANGOU Building, Sheppan Road, Central, Shenzhen, China

DRAWN BY:	TITLE: TM81ABCW7	SCALE:
CHECKED BY:	DWG. NO. G-1	DWG. DATE:
APPROVED BY:	DWG. NAME: TM81ABCW7-G-1	DESIGN NO. 1 OF 1
CONFIRMED BY:		