

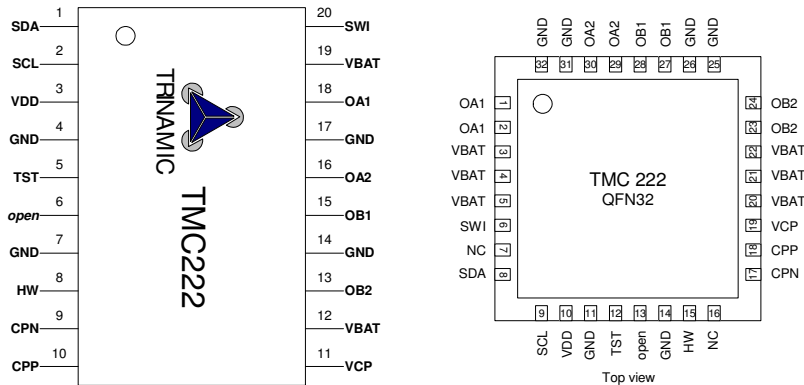
# TMC222 – DATASHEET

## Micro Stepping Stepper Motor Controller / Driver with Two Wire Serial Interface



TRINAMIC Motion Control GmbH & Co. KG  
Waterloohain 5  
D – 22769 Hamburg  
GERMANY

[www.trinamic.com](http://www.trinamic.com)



## 1 Features

The TMC222 is a combined micro-stepping stepper motor motion controller and driver with RAM and OTP memory. The RAM or OTP memory is used to store motor parameters and configuration settings. The TMC222 allows up to four bit of micro stepping and a coil current of up to 800 mA. After initialization it performs all time critical tasks autonomously based on target positions and velocity parameters. Communications to a host takes place via a two wire serial interface. Together with an inexpensive micro controller the TMC222 forms a complete motion control system. The main benefits of the TMC222 are:

- **Motor driver**
  - Controls one stepper motor with four bit micro stepping
  - Programmable Coil current up to 800 mA
  - Supply voltage range operating range 8V ... 29V
  - Fixed frequency PWM current control with automatic selection of fast and slow decay mode
  - Full step frequencies up to 1 kHz
  - High temperature, open circuit, short, over-current and under-voltage diagnostics
- **Motion controller**
  - Internal 16-bit wide position counter
  - Configurable speed and acceleration settings
  - Build-in ramp generator for autonomous positioning and speed control
  - On-the-fly alteration of target position
  - reference switch input available for read out
- **Two wire serial interface**
  - Transfer rates up to 350 kbps
  - Diagnostics and status information as well as motion parameters accessible
  - Field-programmable node addresses (32)

**Life support policy**

TRINAMIC Motion Control GmbH & Co. KG does not authorize or warrant any of its products for use in life support systems, without the specific written consent of TRINAMIC Motion Control GmbH & Co. KG.

Life support systems are equipment intended to support or sustain life, and whose failure to perform, when properly used in accordance with instructions provided, can be reasonably expected to result in personal injury or death.

© TRINAMIC Motion Control GmbH & Co. KG 2011

Information given in this data sheet is believed to be accurate and reliable. However no responsibility is assumed for the consequences of its use nor for any infringement of patents or other rights of third parties which may result from its use.

Specifications subject to change without notice.

## Table of Contents

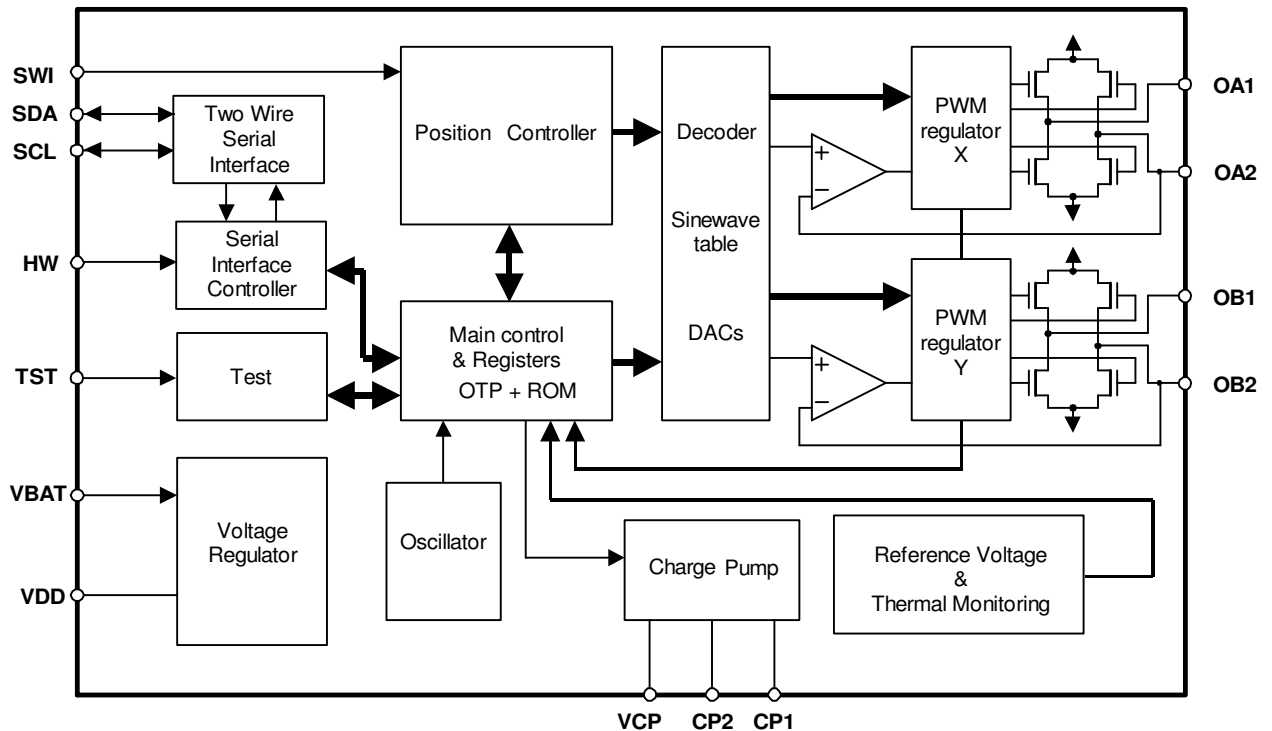
<b>1</b>	<b>FEATURES</b> .....	<b>1</b>
<b>2</b>	<b>GENERAL DESCRIPTION</b> .....	<b>5</b>
2.1	Block Diagramm .....	5
2.2	Position Controller / Main Control .....	5
2.3	Stepper Motor Driver .....	5
2.4	Two Wire Serial Interface .....	5
2.5	Miscellaneous .....	6
2.6	Pin and Signal Descriptions .....	6
<b>3</b>	<b>TYPICAL APPLICATION</b> .....	<b>7</b>
<b>4</b>	<b>ORDERING INFORMATION</b> .....	<b>7</b>
<b>5</b>	<b>FUNCTIONAL DESCRIPTION</b> .....	<b>8</b>
5.1	Position Controller and Main Controller .....	8
5.1.1	Stepping Modes .....	8
5.1.2	Velocity Ramp .....	8
5.1.3	Examples for different Velocity Ramps .....	9
5.1.4	Vmax Parameter .....	10
5.1.5	Vmin Parameter .....	11
5.1.6	Acceleration Parameter .....	11
5.1.7	Position Ranges .....	12
5.1.8	Secure Position .....	12
5.1.9	External Switch .....	12
5.1.10	Motor Shutdown Management .....	13
5.1.11	Reference Search / Position initialization .....	14
5.1.12	Temperature Management .....	15
5.1.13	Battery Voltage Management .....	16
5.1.14	Internal handling of commands and flags .....	17
5.2	RAM and OTP Memory .....	19
5.2.1	RAM Registers .....	19
5.2.2	Status Flags .....	20
5.2.3	OTP Memory Structure .....	21
5.3	Stepper Motor Driver .....	21
5.3.1	Coil current shapes .....	22
5.3.2	Transition Irun to Ihold .....	23
5.3.3	Chopper Mechanism .....	24
<b>6</b>	<b>TWO-WIRE SERIAL INTERFACE</b> .....	<b>25</b>
6.1	Physical Layer .....	25
6.2	Communication on Two Wire Serial Bus Interface .....	25
6.3	Physical Address of the circuit .....	26
6.4	Write data to TMC222 .....	26
6.5	Read data from TMC222 .....	27
6.6	Timing characteristics of the serial interface .....	28
6.7	Application Commands Overview .....	29
6.8	Command Description .....	30
6.8.1	GetFullStatus1 .....	30
6.8.2	GetFullStatus2 .....	31
6.8.3	GetOTPParam .....	31
6.8.4	GotoSecurePosition .....	32
6.8.5	HardStop .....	32
6.8.6	ResetPosition .....	32

---

6.8.7	ResetToDefault .....	33
6.8.8	RunInit.....	33
6.8.9	SetMotorParam .....	34
6.8.10	SetOTPParam.....	34
6.8.11	SetPosition .....	35
6.8.12	SoftStop .....	35
6.9	Positioning Task Example.....	36
<b>7</b>	<b>FREQUENTLY ASKED QUESTIONS .....</b>	<b>38</b>
7.1	Using the bus interface.....	38
7.2	General problems when getting started .....	38
7.3	Using the device.....	39
7.4	Finding the reference position .....	40
<b>8</b>	<b>PACKAGE OUTLINE .....</b>	<b>41</b>
8.1	SOIC-20 .....	41
8.2	QFN32.....	42
<b>9</b>	<b>PACKAGE THERMAL RESISTANCE .....</b>	<b>43</b>
9.1	SOIC-20 Package .....	43
<b>10</b>	<b>ELECTRICAL CHARACTERISTICS .....</b>	<b>44</b>
10.1	Absolute Maximum Ratings.....	44
10.2	Operating Ranges.....	44
10.3	DC Parameters.....	44
10.4	AC Parameters .....	46
	<b>REVISION HISTORY .....</b>	<b>47</b>

## 2 General Description

### 2.1 Block Diagramm



### 2.2 Position Controller / Main Control

Motor parameters, e.g. acceleration, velocity and position parameters are passed to the main control block via the serial interface. These information are stored internally in RAM or OTP memory and are accessible by the position controller. This block takes over all time critical tasks to drive a stepper motor to the desired position under abiding the desired motion parameters.

The main controller gets feedback from the stepper motor driver block and is able to arrange internal actions in case of possible problems. Diagnostics information about problems and errors are transferred to the serial interface block.

### 2.3 Stepper Motor Driver

Two H-bridges are employed to drive both windings of a bipolar stepper motor. The internal transistors can reach an output current of up to 800 mA. The PWM principle is used to force the given current through the coils. The regulation loop performs a comparison between the sensed output current and the internal reference. The PWM signals to drive the power transistors are derived from the output of the current comparator.

### 2.4 Two Wire Serial Interface

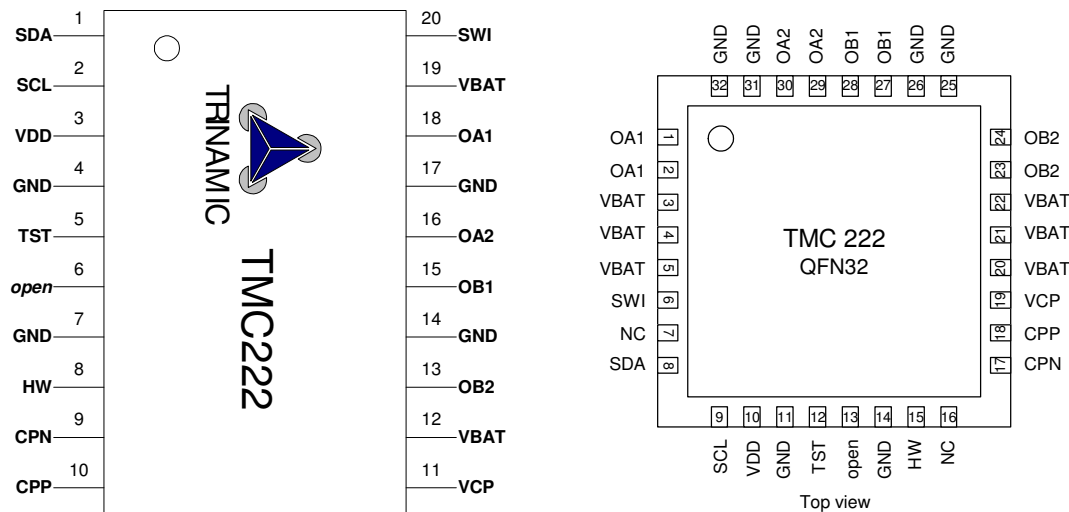
Communication between a host and the TMC222 takes places via the two wire bi-directional serial interface. Motion instructions and diagnostics information are provided to or from the Main Control block. It is possible to connect up to 32 devices on the same bus. Slave addresses are programmable via OTP memory or an external pin.

## 2.5 Miscellaneous

Besides the main blocks the TMC222 contains the following:

- an internal charge pump used to drive the high side transistors.
- an internal oscillator running at 4 MHz +/- 10% to clock the two wire serial interface, the positioning unit, and the main control block
- internal voltage reference for precise referencing
- a 5 Volts voltage regulator to supply the digital logic
- protection block featuring Thermal Shutdown, Power-On-Reset, etc.

## 2.6 Pin and Signal Descriptions



Name	SOIC20	QFN32	Description
SDA	1	8	SDA Serial Data input/output
SCL	2	9	SCL Serial Clock input
VDD	3	10	internal supply (needs external decoupling capacitor)
GND	4,7,14,17	11,14,25,26,31,32	ground, heat sink
TST	5	12	test pin (to be tied to ground in normal operation)
open	6	13	must be left open
HW	8	15	hard-wired serial interface address bit input <b>Hint:</b> This is not a logic level input as usual; it needs to be connected via 1K resistor either to +VBAT or GND;
CPN	9	17	negative connection of external charge pump capacitor
CPP	10	18	positive connection of external charge pump capacitor
VCP	11	19	connection of external charge pump filter capacitor
VBAT	12, 19	3-5,20-22	battery voltage supply (Vbb)
OB2	13	23,24	negative end of phase B coil
OB1	15	27,28	positive end of phase B coil
OA2	16	29,30	negative end of phase A coil
OA1	18	1,2	positive end of phase A coil
SWI	20	6	reference switch input; <b>Hint:</b> This is not a logic level input as usual; it needs to be connected via 1K resistor either to +VBAT or GND;
NC		7,16	internally not connected (shields when connected to ground)

Table 1: TMC222 Signal Description

### 3 Typical Application

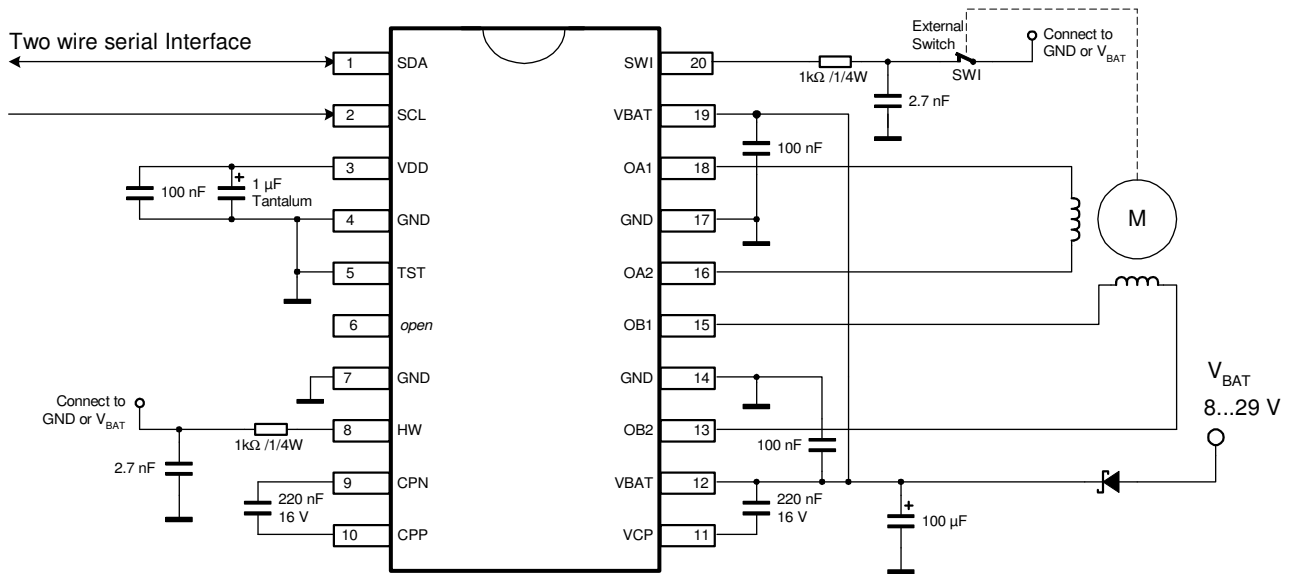


Figure 1: TMC222 Typical Application

**Notes :**

- Resistors tolerance +/- 5%
- 2.7nF capacitors: 2.7nF is the minimum value, 10nF is the maximum value
- the 1µF and 100µF must have a low ESR value
- 100nF capacitors must be close to pins V<sub>BB</sub> and V<sub>DD</sub>
- 220nF capacitors must be as close as possible to pins CPN, CPP, V<sub>CP</sub> and V<sub>BB</sub> to reduce EMC radiation.

### 4 Ordering Information

Part No.	Package	Peak Current	Temperature Range
TMC222-PI20 (pre-series marking, same IC as TMC222-SI)	SOIC-20	800 mA	-40°C..125°C
TMC222-SI	SOIC-20	800mA	-40°C..125°C
TMC222-LI	QFN32	800mA	-40°C..125°C

Table 2: Ordering Information

## 5 Functional Description

### 5.1 Position Controller and Main Controller

#### 5.1.1 Stepping Modes

The TMC222 supports up to 16 micro steps per full step, which leads to smooth and low torque ripple motion of the stepping motor. Four stepping modes (micro step resolutions) are selectable by the user (see also Table 11):

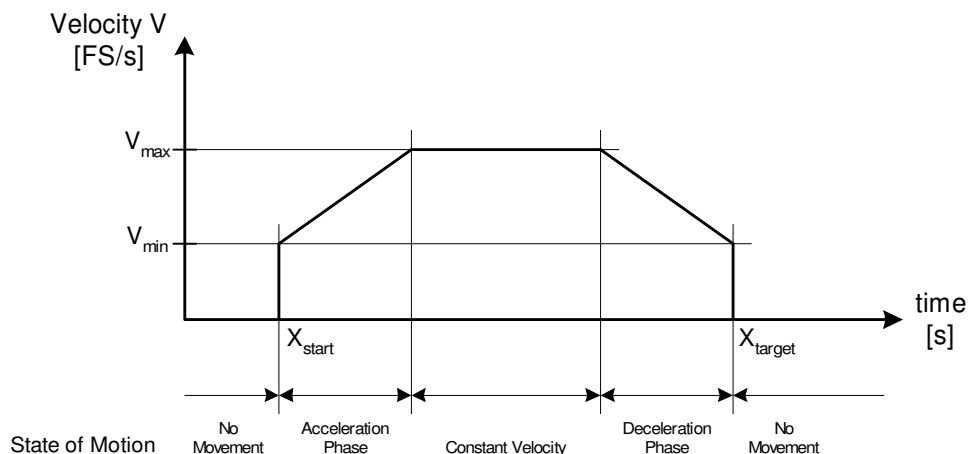
- Half step Mode
- 1/4 Micro stepping
- 1/8 Micro stepping
- 1/16 Micro stepping

#### 5.1.2 Velocity Ramp

A common velocity ramp where a motor drives to a desired position is shown in the figure below. The motion consists of a acceleration phase, a phase of constant speed and a final deceleration phase. Both the acceleration and the deceleration are symmetrical. The acceleration factor can be chosen from a table with 16 entries. (Table 5: Acc Parameter on page 11). A typical motion begins with a start velocity  $V_{min}$ . During acceleration phase the velocity is increased until  $V_{max}$  is reached. After acceleration phase the motion is continued with velocity  $V_{max}$  until the velocity has to be decreased in order to stop at the desired target position. Both velocity parameters  $V_{min}$  and  $V_{max}$  are programmable, whereas  $V_{min}$  is a programmable ratio of  $V_{max}$ . (See Table 3:  $V_{max}$  Parameter on page 10 and Table 4:  $V_{min}$  on page 11). The user has to take into account that  $V_{min}$  is not allowed to change while a motion is ongoing.  $V_{max}$  is only allowed to change under special circumstances. (See 5.1.4  $V_{max}$  Parameter on page 10).

The peak current value to be fed to each coil of the stepper-motor is selectable from a table with 16 possible values. It has to be distinguished between the run current  $I_{run}$  and the hold current  $I_{hold}$ .  $I_{run}$  is fed through the stepper motor coils while a motion is performed, whereas  $I_{hold}$  is the current to hold the stepper motor before or after a motion. More details about  $I_{run}$  and  $I_{hold}$  can be found in 5.3.1. and 5.3.2.

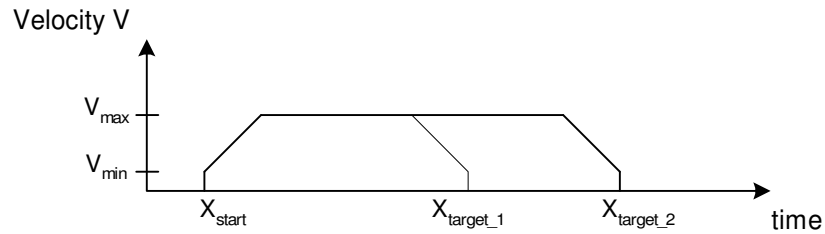
Velocity resp. acceleration parameters are accessible via the serial interface. These parameters are written via the SetMotorParam command (see 6.8.9) and read via the GetFullStatus1 command (see 6.8.1).



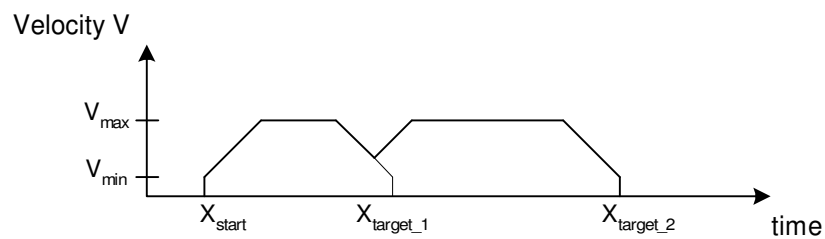


### 5.1.3 Examples for different Velocity Ramps

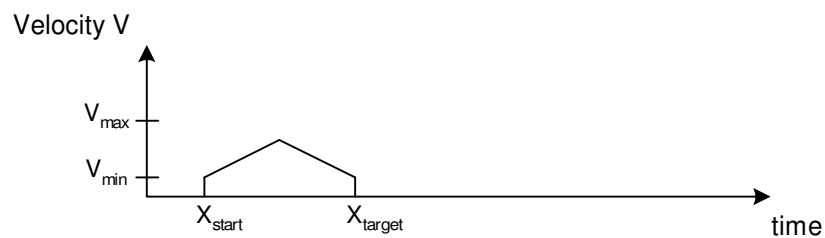
The following figures show some examples of typical motions under different conditions:



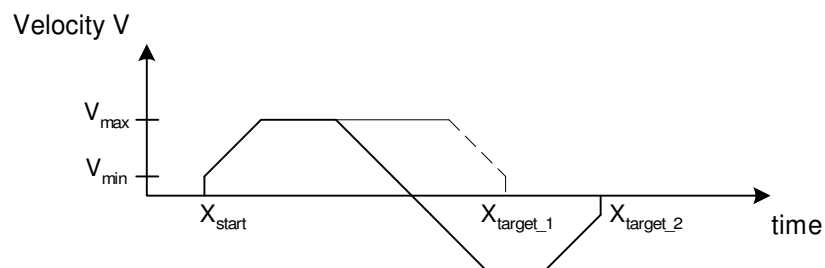
**Figure 2: Motion with change of target position**



**Figure 3: Motion with change of target position while in deceleration phase**



**Figure 4: Short Motion Vmax is not reached**



**Figure 5: Linear Zero crossing (change of target position in opposite direction)**

The motor crosses zero velocity with a linear shape. The velocity can be smaller than the programmed  $V_{min}$  value during zero crossing. Linear zero crossing provides very low torque ripple to the stepper motor during crossing.

### 5.1.4 Vmax Parameter

The desired maximum velocity Vmax can be chosen from the table below:

Vmax index	Vmax [FS/s]	Vmax group	Stepping Mode			
			Half-Step Mode [half-steps/s]	1/4 micro stepping [micro-steps/s]	1/8 micro stepping [micro-steps/s]	1/16 micro stepping [micro-steps/s]
0	99	A	197	395	790	1579
1	136	B	273	546	1091	2182
2	167		334	668	1335	2670
3	197		395	790	1579	3159
4	213		425	851	1701	3403
5	228		456	912	1823	3647
6	243		486	973	1945	3891
7	273	C	546	1091	2182	4364
8	303		607	1213	2426	4852
9	334		668	1335	2670	5341
10	364		729	1457	2914	5829
11	395		790	1579	3159	6317
12	456		912	1823	3647	7294
13	546	D	1091	2182	4364	8728
14	729		1457	2914	5829	11658
15	973		1945	3891	7782	15564

**Table 3: Vmax Parameter**

Under special circumstances it is possible to change the Vmax parameters while a motion is ongoing. All 16 entries for the Vmax parameter are divided into four groups A, B, C and D. When changing Vmax during a motion take care that the new Vmax value is within the same group. Background: The TMC222 uses an internal pre-divider for positioning calculations. Within one group the pre-divider is equal. When changing Vmax between different groups during a motion, correct positioning is not ensured anymore.

### 5.1.5 Vmin Parameter

The minimum velocity parameter is a programmable ratio between 1/32 and 15/32 of Vmax. It is also possible to set Vmin to the same velocity as Vmax by setting Vmin index to zero. The table below shows the possible rounded values of Vmin given within unit [FS/s].

Vmin index	Vmax factor	Vmax group [A...D] and Vmax index [0...15]															
		A	B						C						D		
		0	1	2	3	4	5	6	7	8	9	10	11	12	13	14	15
0	1	99	136	167	197	213	228	243	273	303	334	364	395	456	546	729	973
1	1/32	3	4	5	6	6	7	7	8	8	10	10	11	13	15	19	26
2	2/32	6	8	10	11	12	13	14	15	17	19	21	23	27	30	42	57
3	3/32	9	12	15	18	19	21	22	25	27	30	32	36	42	50	65	88
4	4/32	12	16	20	24	26	28	30	32	36	40	44	48	55	65	88	118
5	5/32	15	21	26	30	32	35	37	42	46	52	55	61	71	84	111	149
6	6/32	18	25	30	36	39	42	45	50	55	61	67	72	84	99	134	179
7	7/32	22	30	36	43	46	50	52	59	65	72	78	86	99	118	156	210
8	8/32	24	33	41	49	52	56	60	67	74	82	90	97	112	134	179	240
9	9/32	28	38	47	55	59	64	68	76	84	94	101	111	128	153	202	271
10	10/32	30	42	52	61	66	71	75	84	94	103	112	122	141	168	225	301
11	11/32	34	47	57	68	72	78	83	94	103	114	124	135	156	187	248	332
12	12/32	37	50	62	73	79	85	91	101	112	124	135	147	170	202	271	362
13	13/32	40	55	68	80	86	92	98	111	122	135	147	160	185	221	294	393
14	14/32	43	59	72	86	92	99	106	118	132	145	158	172	198	236	317	423
15	15/32	46	64	78	92	99	107	114	128	141	156	170	185	214	256	340	454

Table 4: Vmin values [FS/s] for all Vmin index – Vmax index combinations

### 5.1.6 Acceleration Parameter

The acceleration parameter can be chosen from a wide range of available values as described in the table below. Please note that the acceleration parameter is not to change while a motion is ongoing.

Acceleration Values in [FS/s <sup>2</sup> ] dependent on Vmax																		
Acc index	Vmax [FS/s]																	
	99	136	167	197	213	228	243	273	303	334	364	395	456	546	729	973		
0	49						106						473					
1	218												735					
2	1004																	
3	3609																	
4	6228																	
5	8848																	
6	11409																	
7	13970																	
8	16531																	
9	19092																	
10	21886																	
11	24447																	
12	27008																	
13	29570																	
14	29570						34925											
15	40047																	

Table 5: Acc Parameter

The amount of equivalent full steps during acceleration phase can be computed by the next equation:

$$N_{step} = \frac{V_{max}^2 - V_{min}^2}{2 \cdot Acc}$$

### 5.1.7 Position Ranges

Position information is coded by using two's complement format. Depending on the stepping mode (See 5.1.1) the position ranges are as listed in the following table:

Stepping Mode	Position Range	Full range excursion
Half-stepping	-4096...+4095 ( $-2^{12} \dots +2^{12}-1$ )	8192 half-steps $2^{13}$
1/4 micro-stepping	-8192...+8191 ( $-2^{13} \dots +2^{13}-1$ )	16384 micro-steps $2^{14}$
1/8 micro-stepping	-16384...+16383 ( $-2^{14} \dots +2^{14}-1$ )	32768 micro-steps $2^{15}$
1/16 micro-stepping	-32768...+32767 ( $-2^{15} \dots +2^{15}-1$ )	65536 micro-steps $2^{16}$

**Table 6: Position Ranges**

Target positions can be programmed via serial interface by using the SetPosition command (see 6.8.11). The actual motor position can be read by the GetFullStatus2 command (see 6.8.2).

### 5.1.8 Secure Position

The GotoSecurePosition command drives the motor to a pre-programmed secure position (see 6.8.4). The secure position is programmable by the user. Secure position is coded with 11 bits, therefore the resolution is lower than for normal positioning commands, as shown in the following table.

Stepping Mode	Secure Position Resolution
Half-stepping	4 half steps
1/4 micro stepping	8 micro steps ( $1/4^{\text{th}}$ )
1/8 micro stepping	16 micro steps ( $1/8^{\text{th}}$ )
1/16 micro stepping	32 micro steps ( $1/16^{\text{th}}$ )

**Table 7: Secure Position Resolution**

### 5.1.9 External Switch SWI

Pin SWI (see Figure 1, on page 7) will attempt to source and sink current in/from the external switch pin. This is to check whether the external switch is open or closed, resp. if the pin is connected to ground or Vbat. The status of the switch can be read by using the GetFullStatus1 command. As long as the switch is open, the <ESW> flag is set to zero.

The ESW flag just represents the status of the input switch. The SWI input is intended as a physical interface for a mechanical switch that requires a cleaning current for proper operation. The SWI input detects if the switch is open or connected either to ground or to Vbat. The SWI input is not a digital logic level input. The status of the switch does not automatically perform actions as latching of the actual position. Those actions have to be realized by the application software.

**Important Hint:** The SWI is not a logic level input as usual; it needs to be connected via 1K resistor either to +VBAT or GND;

### 5.1.10 Motor Shutdown Management

The TMC222 is set into motor shutdown mode as soon as one of the following condition occurs:

- The chip temperature rises above the thermal shutdown threshold  $T_{tsd}$ . See 5.1.12 Temperature Management on Page 15
- The battery voltage drops below UV2 See 5.1.13 Battery Voltage Management on Page 16.
- An electrical problem occurred, e.g. short circuit, open circuit, etc. In case of such a problem flag <EIDef> is set to one.
- Chargepump failure, indicated by <CPFail> flag set to one.

During motor shutdown the following actions are performed by the main controller:

- H-bridges are set into high impedance mode
- The target position register TagPos is loaded with the contents of the actual position register ActPos.

The two-wire-serial-interface remains active during motor shutdown. To leave the motor shutdown state the following conditions must be true:

- Conditions which led to a motor shutdown are not active anymore
- A GetFullStatus1 command is performed via serial interface.

Leaving the motor shutdown state initiates the following

- H-bridges in lhold mode
- Clock for the motor control digital circuitry is enabled
- The charge pump is active again

Now the TMC222 is ready to execute any positioning command.

#### **IMPORTANT NOTE:**

First, a GetFullStatus1 command has to be executed after power-on to activate the TMC222.

### 5.1.11 Reference Search / Position initialization

A stepper motor does not provide information about the actual position of the motor. Therefore it is recommended to perform a reference drive after power-up or if a motor shutdown happened in case of a problem. The RunInit command initiates the reference search. The RunInit command consists of a Vmin and Vmax parameter and also position information about the end of first and second motion (6.8.8 RunInit).

A reference drive consists of two motions (Figure 6: RunInit): The first motion is to drive the motor into a stall position or a reference switch. The first motion is performed under compliance of the selected Vmax and Vmin parameter and the acceleration parameter specified in the RAM. The second motion has got a rectangular shape, without an acceleration phase and is to drive the motor out of the stall position or slowly towards the stall position again to compensate for the bouncing of the faster first motion to stop as close to the stall position as possible. The maximum velocity of the second motion equals to Vmin. The positions of Pos1 and Pos2 can be chosen freely ( $Pos1 > Pos2$  or  $Pos1 < Pos2$ ). After the second motion the actual position register is set to zero. Finally, the secure position will be traveled to if it is enabled (different from the most negative decimal value of  $-1024$ ).

Once the RunInit command is started it can not be interrupted by any other command except a condition occurs which leads to a motor shutdown (See 5.1.10 Motor Shutdown Management) or a HardStop command is received. Furthermore the master has to ensure that the target position of the first motion is **not** equal to the actual position of the stepper motor and that the target positions of the first and the second motion are not equal. This is very important otherwise the circuit goes into a deadlock state. Once the circuit finds itself in a deadlock state only a HardStop command followed by a GetFullStatus1 command will cause the circuit to leave the deadlock state.

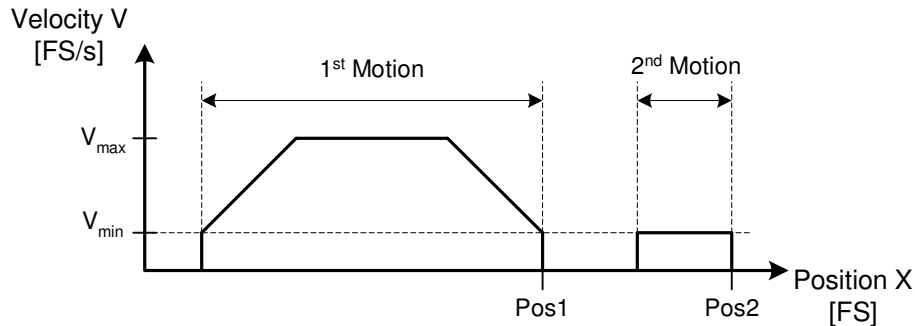
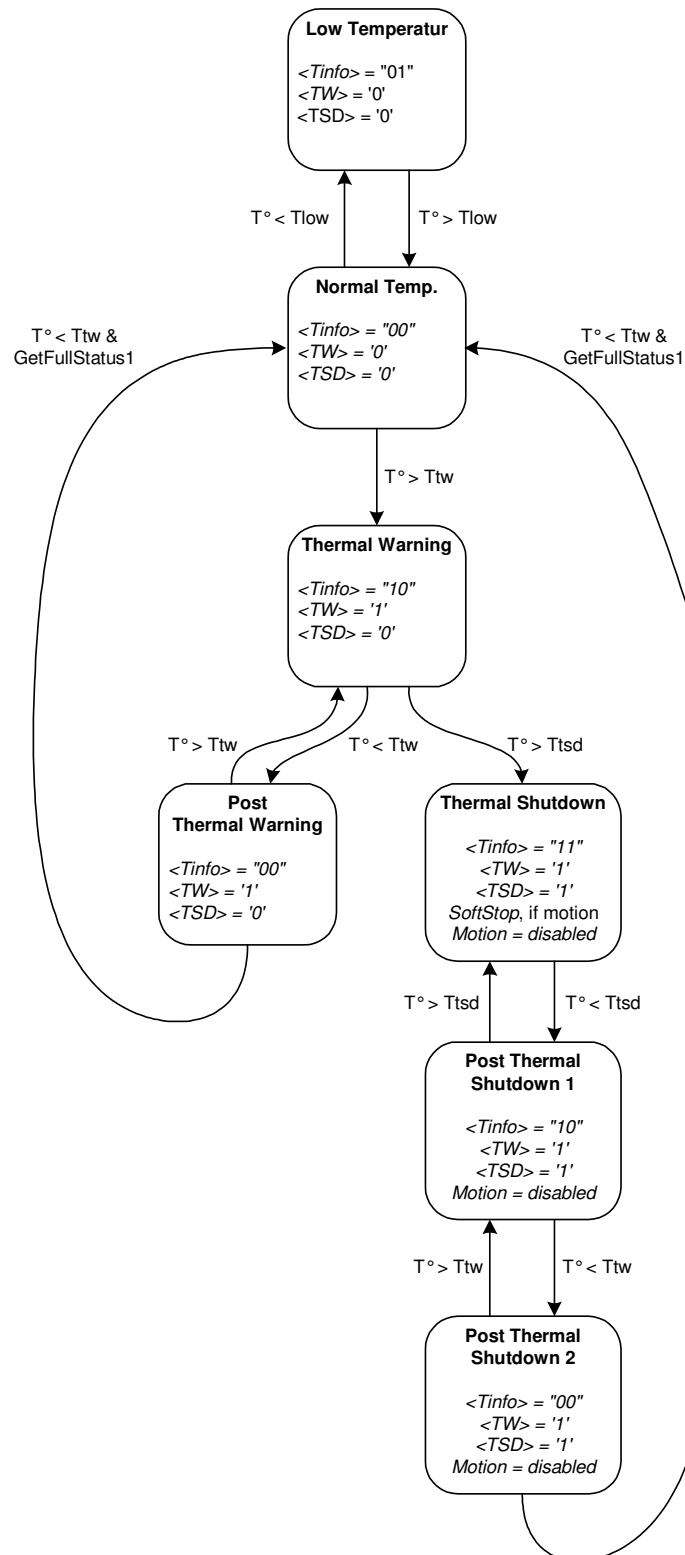


Figure 6: RunInit

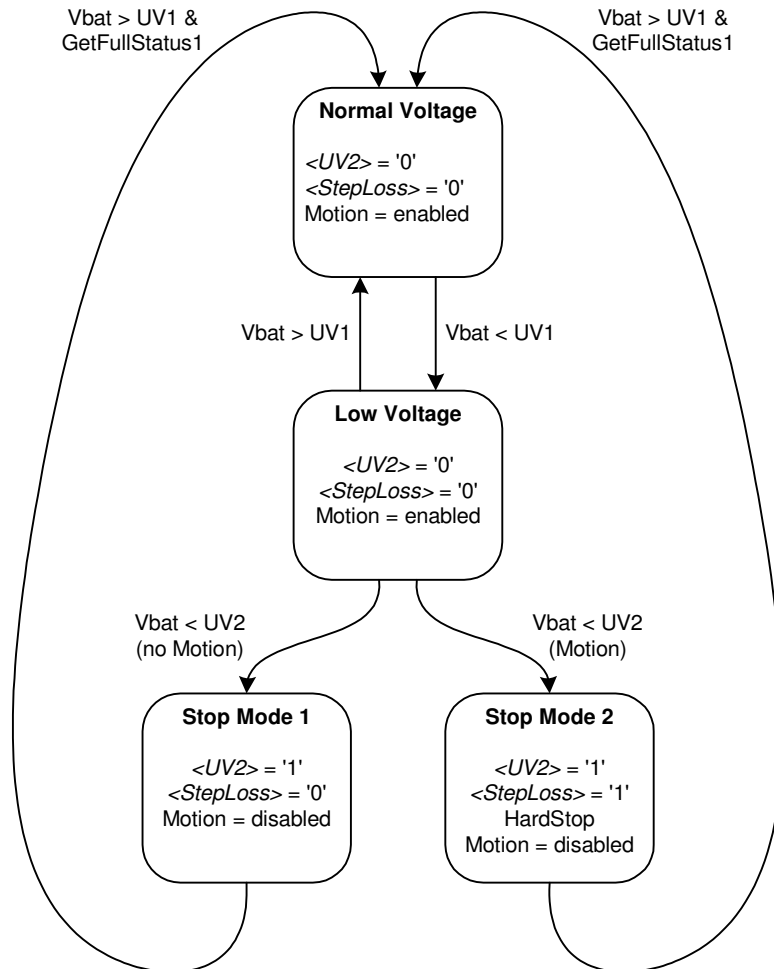
### 5.1.12 Temperature Management

The TMC222 provides an internal temperature monitoring. The circuit goes into shutdown mode if the temperature exceeds threshold  $T_{tsd}$ , furthermore two thresholds are implemented to generate a temperature pre-warning.



### 5.1.13 Battery Voltage Management

The TMC222 provides an internal battery voltage monitoring. The circuit goes into shutdown mode if the battery voltage falls below threshold UV2, furthermore one threshold UV1 is implemented to generate a low voltage warning.





### 5.1.14 Internal handling of commands and flags

The internal handling of commands and flags differs. Commands are handled with different priorities depending on the current state and the current status of internal flags, see figure below. SetPosition or GotoSecurePosition commands are ignored as long as the <StepLoss> flag is set. Details can be found in Table 8: Priority Encoder.

**Note:** A HardStop command is sent by the master or triggered internally in case of an electrical defect or over temperature.

A description of the available commands can be found in 6.8 Command Description. A list of the internal flags can be found in 5.2.2 Status Flags.

As an example: When the circuit drives the motor to its programmed target position, state "GotoPos" is entered. There are three events which can cause to leave this state: HardStop command received, SoftStop command received or target position reached. If all three events occur at the same time the HardStop command is executed since it has the highest priority. The Motion finished event (target position reached) has the lowest priority and thus will only cause transition to "Stopped" state when both other events do not occur.

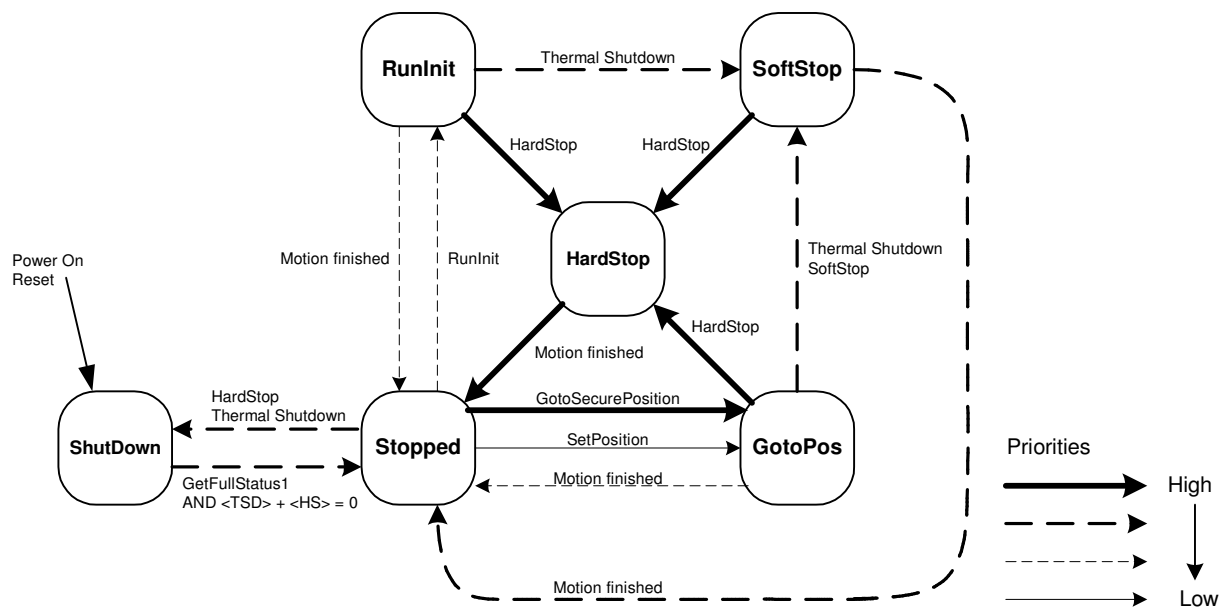


Figure 7: Internal handling of commands and flags

State →	Stopped	GotoPos	RunInit	SoftStop	HardStop	ShutDown
<b>Command</b> ↓	motor stopped, hold in coils	motor motion ongoing	no influence on RAM and TagPos	motor decelerating	motor forced to stop	motor stopped, H-bridges in Hi-Z
GetFullStatus2	I <sup>2</sup> C in-frame response	I <sup>2</sup> C in-frame response	I <sup>2</sup> C in-frame response	I <sup>2</sup> C in-frame response	I <sup>2</sup> C in-frame response	I <sup>2</sup> C in-frame response
GetOTPParam	OTP refresh; I <sup>2</sup> C in-frame	OTP refresh; I <sup>2</sup> C in-frame	OTP refresh; I <sup>2</sup> C in-frame	OTP refresh; I <sup>2</sup> C in-frame	OTP refresh; I <sup>2</sup> C in-frame	OTP refresh; I <sup>2</sup> C in-frame
GetFullStatus1 [attempt to clear <TSD> and <HS> flags]	I <sup>2</sup> C in-frame response	I <sup>2</sup> C in-frame response	I <sup>2</sup> C in-frame response	I <sup>2</sup> C in-frame response	I <sup>2</sup> C in-frame response	I <sup>2</sup> C in-frame response; if (<TSD> or <HS>) = '1' then → Stopped
ResetToDefault [ActPos and TagPos are not altered]	OTP refresh; OTP to RAM; AccShape reset	OTP refresh; OTP to RAM; AccShape reset	OTP refresh; OTP to RAM; AccShape reset (note 2)	OTP refresh; OTP to RAM; AccShape reset	OTP refresh; OTP to RAM; AccShape reset	OTP refresh; OTP to RAM; AccShape reset
SetMotorParam [Master takes care about proper update]	RAM update	RAM update	RAM update	RAM update	RAM update	RAM update
ResetPosition	TagPos and ActPos reset					TagPos and ActPos reset
SetPosition	TagPos updated; →GotoPos	TagPos updated	TagPos updated			
GotoSecurePosi tion	If <SecEn> = '1' then TagPos = SecPos; →GotoPos	If <SecEn> = '1' then TagPos = SecPos	If <SecEn> = '1' then TagPos = SecPos			
RunInit	→RunInit					
HardStop		→HardStop; <StepLoss> = '1'	→HardStop; <StepLoss> = '1'	→HardStop; <StepLoss> = '1'		
SoftStop		→SoftStop				
HardStop [ ⇔ (<CPFail> or <UV2> or <ElDef>) = '1' ⇒ <HS> = '1' ]	→Shutdown	→HardStop	→HardStop	→HardStop		
Thermal shutdown [ <TSD> = '1' ]	→Shutdown	→SoftStop	→SoftStop			
Motion finished	n.a.	→Stopped	→Stopped	→Stopped; TagPos =ActPos	→Stopped; TagPos =ActPos	n.a.

Table 8: Priority Encoder

Color code:

- Command ignored
- Transition to another state
- Master is responsible for proper update (see note 5)

Notes:

- 1 After Power on reset, the Shutdown state is entered. The Shutdown state can only be left after a GetFullStatus1 command (so that the Master could read the <VddReset> flag).
- 2 A RunInit sequence runs with a separate set of RAM registers. The parameters which are not specified in a RunInit command are loaded with the values stored in RAM at the moment the RunInit sequence starts. AccShape is forced to '1' during second motion even if a ResetToDefault command is issued during a RunInit sequence, in which case AccShape at '0' will be taken into account after the RunInit sequence. A GetFullStatus1 command will return the default parameters for Vmax and Vmin stored in RAM.
- 3 Shutdown state can be left only when <TSD> and <HS> flags are reset.
- 4 Flags can be reset only after the master could read them via a GetFullStatus1 command, and provided the physical conditions allow for it (normal temperature, correct battery voltage and no electrical or charge pump defect).
- 5 A SetMotorParam command sent while a motion is ongoing (state GotoPos) should not attempt to modify Acc and Vmin values. This can be done during a RunInit sequence since this motion uses its own parameters, the new parameters will be taken into account at the next SetPosition command.
- 6 <SecEn> = '1' when register SecPos is loaded with a value different from the most negative value (i.e. different from 0x400 = "100 0000 0000")

- 7 <Stop> flag allows to distinguish whether state Stopped was entered after HardStop/SoftStop or not. <Stop> is set to '1' when leaving state HardStop or SoftStop and is reset during first clock edge occurring in state Stopped.
- 8 While in state Stopped, if ActPos ≠ TagPos there is a transition to state GotoPos. This transition has the lowest priority, meaning that <Stop>, <TSD>, etc. are first evaluated for possible transitions.
- 9 If <StepLoss> is active, then SetPosition and GotoSecurePosition commands are ignored (they will not modify TagPos register whatever the state) and motion to secure position is forbidden. Other commands like RunInit or ResetPosition will be executed if allowed by current state. <StepLoss> can only be cleared by a GetFullStatus1 command.

## 5.2 RAM and OTP Memory

Some RAM registers (e.g. Ihold, Irun) are initialized with the content of the OTP (One Time Programmable) memory. The content of RAM registers that are initialized via OTP can be changed afterwards. This allows user initialization default values, whereas the default values are one time programmable by the user. Some OTP bits are address bits of the TMC222.

### 5.2.1 RAM Registers

Register	Mnemonic	Length (bit)	Related commands	Comment	Reset State
Actual Position	ActPos	16	GetFullStatus2 ResetPosition	Actual Position of the Stepper Motor. 16-bit signed	0x0000
Target Position	TagPos	16	SetPosition GetFullStatus2 ResetPosition	Target Position of the Stepper Motor. 16-bit signed	
Acceleration Shape	AccShape	1	GetFullStatus1 SetMotorParam ResetToDefault	0 = Acceleration with Acc Parameter. 1 = Velocity set to Vmin, without acceleration	
Coil Peak Current	Irun	4	GetFullStatus1 SetMotorParam ResetToDefault	Coil current when motion is ongoing (Table 12: Irun / Ihold Settings)	OTP Memory
Coil Hold Current	Ihold	4	GetFullStatus1 SetMotorParam ResetToDefault	Coil current when motor stands still (Table 12: Irun / Ihold Settings)	
Minimum Velocity	Vmin	4	GetFullStatus1 SetMotorParam ResetToDefault	Start Velocity of the stepper motor (Table 4: Vmin )	
Maximum Velocity	Vmax	4	GetFullStatus1 SetMotorParam ResetToDefault	Target Velocity of the stepper motor (Table 3: Vmax Parameter)	
Shaft	Shaft	1	GetFullStatus1 SetMotorParam ResetToDefault	Direction of motion	
Acceleration / Deceleration	Acc	4	GetFullStatus1 SetMotorParam ResetToDefault	Parameter for acceleration (Table 5: Acc Parameter)	
Secure Position	SecPos	11	GetFullStatus2 ResetToDefault	Target Position for GotoSecurePosition command (6.8.4 GotoSecurePosition); 11 MSBs of 16-bit position (LSBs fixed to '0')	
Stepping Mode	StepMode	2	GetFullStatus1 GetFullStatus2 ResetToDefault	Micro stepping mode (5.1.1 Stepping Modes)	

## 5.2.2 Status Flags

The table below shows the flags which are accessible by the serial interface in order to receive information about the internal status of the TMC222.

Flag	Mnemonic	Length (bit)	Related Command	Comment	Reset state
Digital supply Reset	VddReset	1	GetFullStatus1	Set to '1' after power-up or after a micro-cut in the supply voltage to warn that RAM contents may have been lost. Is set to '0' after GetFullStatus1 command.	'1'
Over current in coil A	OVC1	1	GetFullStatus1	Set to '1' if an over current in coil #1 was detected. Is set to '0' after GetFullStatus1 command.	'0'
Over current in coil B	OVC2	1	GetFullStatus1	Set to '1' if an over current in coil #2 was detected. Is set to '0' after GetFullStatus1 command.	'0'
StepLoss	StepLoss	1	GetFullStatus1	Set to '1' when under voltage, over current or over temperature event was detected. Is set to '0' after GetFullStatus1 command. SetPosition and GotoSecurePosition commands are ignored when <StepLoss> = 1	'0'
Secure position enabled	SecEn	1	Internal use	'0' if SecPos = "100 0000 0000" '1' otherwise	n.a.
Electrical Defect	EIDef	1	GetFullStatus1	Set to '1' if an open circuit or a short was detected, (<OVC1> or <OVC2>). Is set to '0' after GetFullStatus1 command.	'0'
Temperature Info	Tinfo	2	GetFullStatus1	Indicates the chip temperature "00" = normal temperature "01" = low temperature warning "10" = high temperature warning "11" = motor shutdown	"00"
Thermal Warning	TW	1	GetFullStatus1	Set to one if temperature raises above 145 °C. Is set to '0' after GetFullStatus1 command.	'0'
Thermal Shutdown	TSD	1	GetFullStatus1	Set to one if temperature raises above 155 °C. Is set to '0' after GetFullStatus1 command and Tinfo = "00".	'0'
Motion Status	Motion	3	GetFullStatus1	Indicates the actual behavior of the position controller. "000": Actual Position = Target Position; Velocity = 0 "001": Positive Acceleration; Velocity > 0 "010": Negative Acceleration; Velocity > 0 "011": Acceleration = 0 Velocity = maximum pos Velocity "100": Actual Position /= Target Position; Velocity = 0 "101": Positive Acceleration; Velocity < 0 "110": Positive Acceleration; Velocity < 0 "111": Acceleration = 0 Velocity = maximum neg Velocity	"000"
External Switch Status	ESW	1	GetFullStatus1	Indicates the status of the external switch. '0' = open '1' = close	'0'
Charge Pump failure	CPFail	1	GetFullStatus1	'0' charge pump OK '1' charge pump failure	'0'
Electrical flag	HS	1	Internal use	<CPFail> or <UV2> or <EIDef>	'0'

### 5.2.3 OTP Memory Structure

The table below shows where the OTP parameters are stored in the OTP memory.

**Note:** If the OTP memory has not been programmed, or if the RAM has not be programmed by a SetMotorParam command, or if anyhow <VddReset> = '1', any positioning command will be ignored, in order to avoid any consequence due to unwanted RAM content. Please check that the correct supply voltage is applied to the circuit before zapping the OTP (See: Table 21: DC Parameters Supply and Voltage regulator on page 45), otherwise the circuit will be destroyed.

OTP Address	OTP Bit Order							
	7	6	5	4	3	2	1	0
0x00	OSC3	OSC2	OSC1	OSC0	IREF3	IREF2	IREF1	IREF0
0x01		TSD2	TSD1	TSD0	BG3	BG2	BG1	BG0
0x02					AD3	AD2	AD1	AD0
0x03	Irun3	Irun2	Irun1	Irun0	Ihold3	Ihold2	Ihold1	Ihold0
0x04	Vmax3	Vmax2	Vmax1	Vmax0	Vmin3	Vmin2	Vmin1	Vmin0
0x05	SecPos10.	SecPos9	SecPos8	Shaft	Acc3	Acc2	Acc1	Acc0
0x06	SecPos7	SecPos6	SecPos5	SecPos4	SecPos3	SecPos2	SecPos1	SecPos0
0x07					StepMode1	StepMode0	LOCKBT	LOCKBG

**Table 9 : OTP Memory Structure**

Parameters stored at address 0x00 and 0x01 and bit LOCKBT are already programmed in the OTP memory at circuit delivery, they correspond to the calibration of the circuit and are just documented here as an indication. These might vary between different components. These bits (gray within Table 9 : OTP Memory Structure) should not be used after readout. Each OPT bit is at '0' when not zapped. Zapping a bit will set it to '1'. Thus only bits having to be at '1' must be zapped. Zapping of a bit already at '1' is disabled, to avoid any damage of the Zener diode. It is important to note that only one single OTP byte can be programmed at the same time (see command SetOTPParam).

Once OTP programming is completed, bit LOCKBG can be zapped, to disable unwanted future zapping, otherwise any OTP bit at '0' could still be zapped.

Lock bit	Protected byte
LOCKBT (zapped before delivery)	0x00 to 0x01
LOCKBG	0x02 to 0x07

**Table 10 : OTP Lock bits**

The command used to load the application parameters via the serial bus into the RAM prior to an OTP Memory programming is SetMotorParam. This allows for a functional verification before using a SetOTPParam command to program and zap separately one OTP memory byte. A GetOTPParam command issued after each SetOTPParam command allows to verify the correct byte zapping.

### 5.3 Stepper Motor Driver

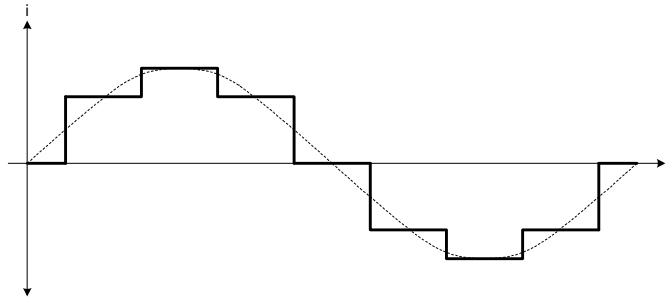
The StepMode parameter in SetMotorParam command (6.8.9 SetMotorParam on page 34) is used to select between different stepping modes. Following modes are available:

StepMode parameter	Mode
00	Half Stepping
01	1/4 $\mu$ Stepping
10	1/8 $\mu$ Stepping
11	1/16 $\mu$ Stepping

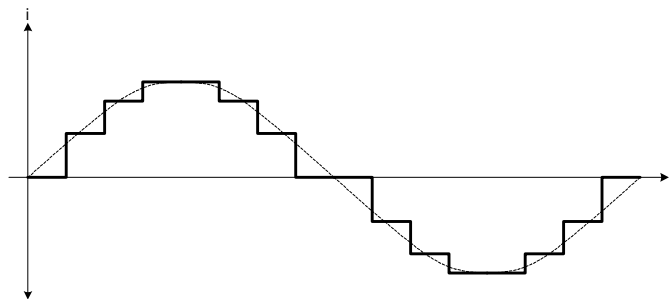
**Table 11: StepMode**

### 5.3.1 Coil current shapes

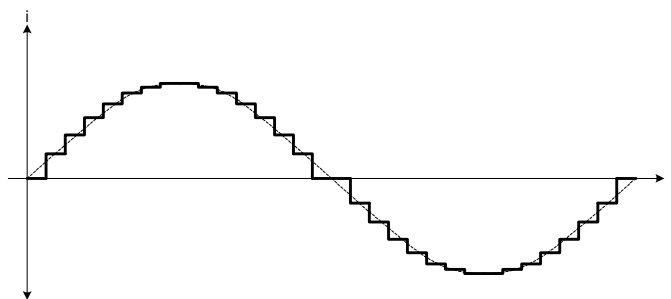
The next four figures show the current shapes fed to each coil of the motor in different stepping modes.



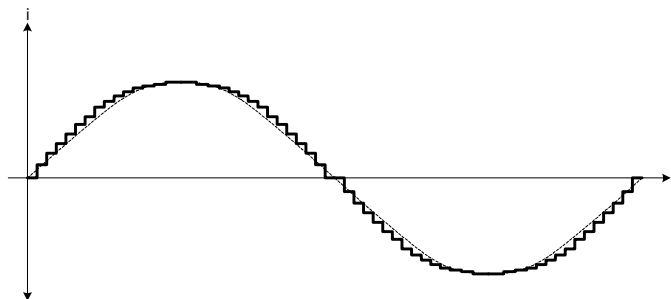
**Figure 8: Coil Current for Half Stepping Mode**



**Figure 9: Coil Current for 1/4 Micro Stepping Mode**



**Figure 10: Coil Current for 1/8 Micro Stepping Mode**



**Figure 11: Coil Current for 1/16 Micro Stepping Mode**

### 5.3.2 Transition Irun to Ihold

At the end of a motor motion the actual coil currents  $I_{run}$  are maintained in the coils at their actual DC level for a quarter of an electrical period (two half steps) at minimum velocity. Afterwards the currents are then set to their hold values  $I_{hold}$ . The figure below illustrates the mechanism:

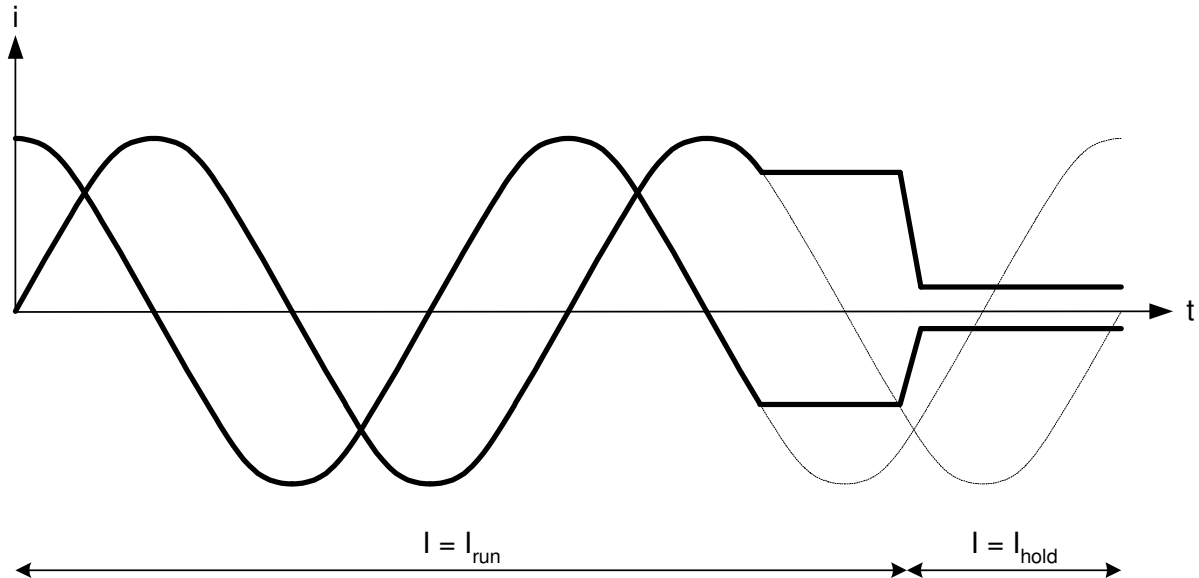


Figure 12: Transition Irun to Ihold

Both currents  $I_{run}$  and  $I_{hold}$  are parameterizeable using the command `SetMotorParam`. 16 values are available for  $I_{run}$  current and 16 values for  $I_{hold}$  current. The table below shows the corresponding current values.

Irun / Ihold setting (hexadecimal)	Peak Current [mA]
0x0	59
0x1	71
0x2	84
0x3	100
0x4	119
0x5	141
0x6	168
0x7	200
0x8	238
0x9	283
0xA	336
0xB	400
0xC	476
0xD	566
0xE	673
0xF	800

Table 12: Irun / Ihold Settings

### 5.3.3 Chopper Mechanism

The chopper frequency is fixed as specified in chapter 10.4 AC Parameters on page 46. The TMC222 uses an intelligent chopper algorithm to provide a smooth operation with low resonance. The TMC222 uses internal measurements to derive current flowing through coils. If the current is less than the desired current, the TMC222 switches a H-bridge in a way that the current will increase. Otherwise if the current is too high, the H-bridge will be switched to decrease the current. For decreasing two modes are available, slow decay and fast decay, whereas fast decay decreases the current faster than slow decay. The figure below shows the chopper behavior.

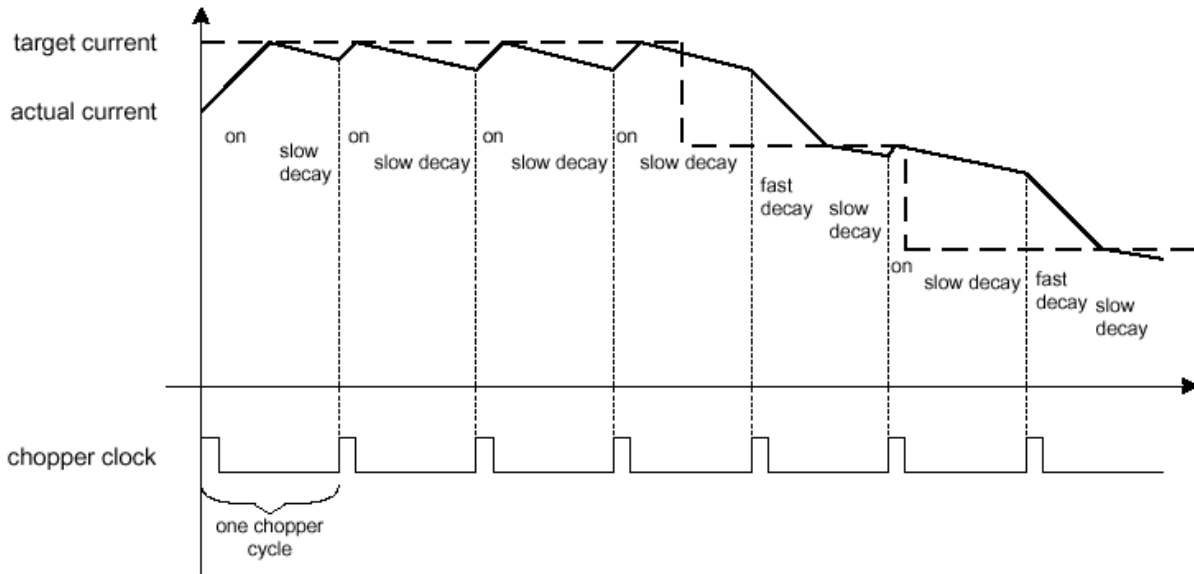


Figure 13: Different Chopper Cycles with Fast and Slow Decay



## 6 Two-Wire Serial Interface

### 6.1 Physical Layer

Both SDA and SCL lines are connected to positive supply voltage via a current source or pull-up resistor (see figure below). When there is no traffic on the bus both lines are high. Analog glitch filters are implemented to suppress spikes with a length of up to 50 ns.

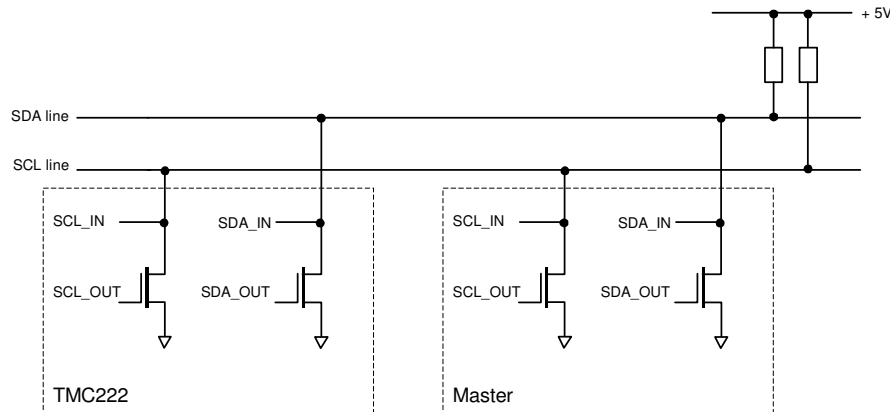


Figure 14: Two Wire Serial Interface - Physical Layer

### 6.2 Communication on Two Wire Serial Bus Interface

Each datagram starts with a Start condition and ends with a Stop condition. Both conditions are unique and cannot be confused with data. A high to low transition on the SDA line while SCL is high indicates a Start condition. A low to high transition on the SDA line while SCL is high defines a Stop condition (see figure below).

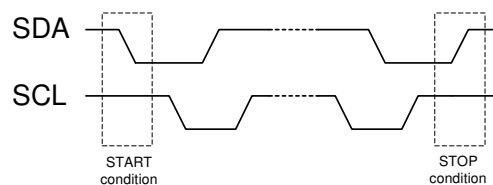


Figure 15: Two Wire Serial Interface - Start / Stop Conditions

The SCL clock is always generated by the master. On every rising transition of the SCL line the data on SDA is valid. Data on SDA line is only allowed to change as long as SCL is low (see figure below).

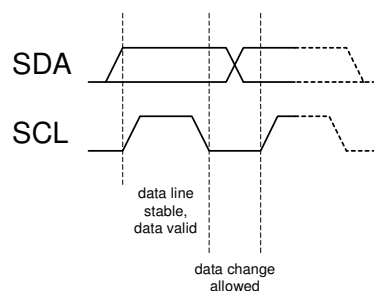
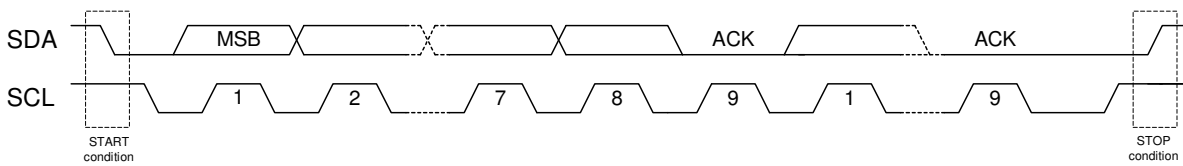


Figure 16: Two Wire Serial Interface - Bit transfer

Every byte put on the SDA line must have a length of 8 bits, where the most significant bit (MSB) is transferred first. The number of bytes that can be transmitted to the TCM222 is restricted to 8 bytes. Each byte is followed by an acknowledge bit, which is issued by the receiving node (see figure below).



**Figure 17: Two Wire Serial Interface - Data Transfer**

### 6.3 Physical Address of the circuit

The circuit must be provided with a physical address in order to discriminate this circuit from other ones on the serial bus. This address is coded on seven bits (two bits are internally hardwired to '1'), yielding the theoretical possibility of 32 different circuits on the same bus. It is a combination of four OTP memory bits (see Table 9 : OTP Memory Structure) and one hardwired address bit (pin HW). HW must either be connected to ground or Vbat. When HW is not connected and left floating correct functionality of the serial interface is not guaranteed. Pin HW uses the same principle to check whether it is connected to ground or Vbat like the SWI input (see 5.1.9 External Switch).

The TMC222 supports a "general call" address. Therefore the circuit is addressable using either the physical slave address or address "000 0000".

AD6	AD5	AD4	AD3	AD2	AD1	AD0	Physical address
'1'	'1'	OTP_AD3	OTP_AD2	OTP_AD1	OTP_AD0		OTP Memory
						HW2	Hardwired Bit (Connect to 0 or 1)

**Figure 18: Two Wire Serial Interface - Physical Address resp. Address Field**

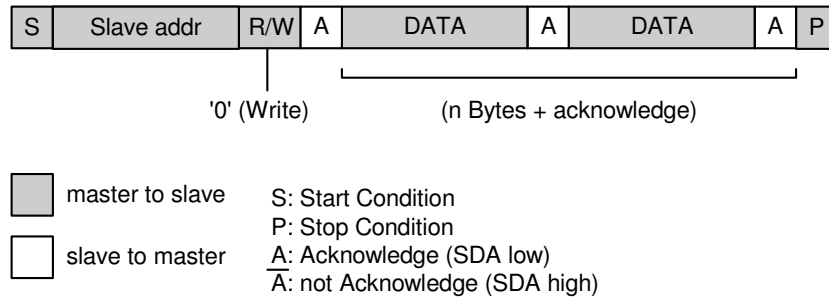
With un-programmed OTP address bits (OTP\_AD3=0, OTP\_AD2=0, OTP\_AD1=0, OTP\_AD0=0) and HW='0' (pin HW @ GND), the slave address resp. the address field of the TMC222 for reading is 11000001 (0xC1, 193) and for writing the slave address resp. the address field is 11000000 (0xC0, 192). The LSB of the address field selects read (= '1') and write (= '0'). With un-programmed OTP address bits and HW='1' (pin HW @ Vbat), the slave address resp. the address field of the TMC222 for reading is 11000011 (0xC3, 195) and for writing the slave address resp. the address field is 11000010 (0xC2, 194).

**Important Hint:** The HW is not a logic level input as usual; it needs to be connected via 1K resistor either to +VBAT or GND;

### 6.4 Write data to TMC222

A complete datagram consists of the following: a Start condition, the slave address (7 bit), a read/write bit ('0' = write, '1' = read), an acknowledge bit, a number of data bytes (8 bit) each followed by an acknowledge bit, and a Stop condition. The acknowledge bit is used to signal to the transmitter the correct reception of the preceding byte, in this case the TMC222 pulls the SDA line low.

The TMC222 reads the incoming data at SDA with every rising edge of the SCL line. To finish the transmission the master has to transmit a Stop condition. Some commands for the TMC222 are supporting eight bytes of data, other commands are transmitting two bytes of data.

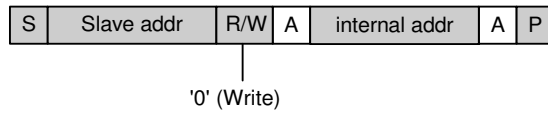


**Figure 19: Two Wire Serial Interface - Writing Data to Slave**

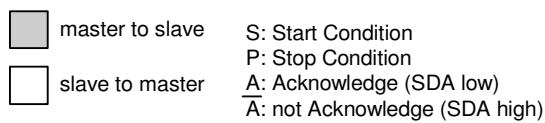
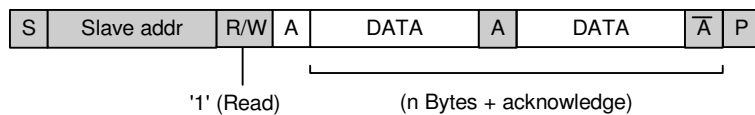
## 6.5 Read data from TMC222

When reading data from a slave two datagrams are needed. The first datagram consists of two bytes of data. The first byte consists of the slave address and the write bit. The second byte consists of the address of an internal register of the TMC222. The internal register address is stored in the circuits RAM. The second datagram consists of the slave address and the read bit. Then the master can read the data bits on the SDA line with every rising edge of the SCL line. After each byte of data the master has to acknowledge correct data reception by pulling SDA low. The last byte must not be acknowledged by the master so that the slave knows the end of transmission (see figure below).

### Dump Internal Address to Slave



### Read Data from Slave



**Figure 20: Two Wire Serial Interface - Read Data from Slave**

## 6.6 Timing characteristics of the serial interface

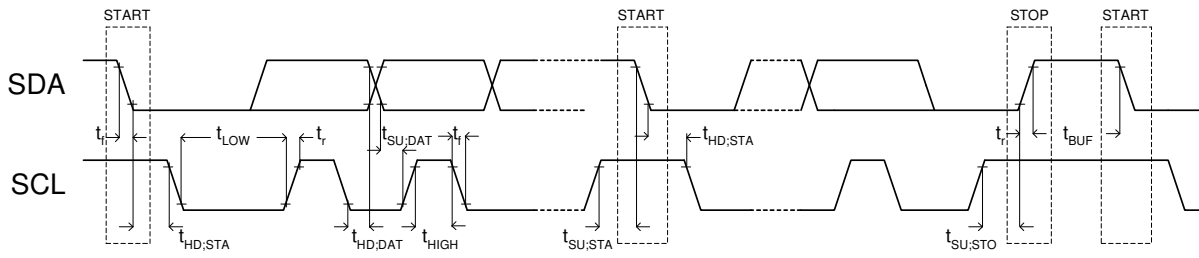


Figure 21: Definition of Timing

Parameter	Symbol	SCL Clk frequency $\leq 100\text{KHz}$		SCL Clk frequency $\leq 350\text{KHz}$		Unit
		Min.	Max.	Min.	Max.	
Low level input voltage: Fixed input levels	$V_{IL}$	-0.5 <sup>(1)</sup>	1.5	-0.5 <sup>(1)</sup>	$0.3V_{DD}$	V
High level input voltage: Fixed input levels	$V_{IH}$	3.0	(2)	$0.7V_{DD}$	(2)	V
Pulse width of spikes which must be suppressed by the input filter	$t_{SP}$	n/a	n/a	50	50	ns
Capacitance for each I/O pin	$C_i$	-	10	-	10	pF

Table 13: Two Wire Serial Interface - Characteristics of the SDA and SCL I/O Stages

### Notes

(1): If Input voltage = < -0.3 Volts, then 20...100 Ohms resistor must be added in series

(2): Maximum  $V_{IH} = V_{DDmax} + 0.5\text{ Volt}$

n/a: not applicable

Parameter	Symbol	SCL Clk frequency $\leq 100\text{KHz}$		SCL Clk frequency $\leq 350\text{KHz}$		Unit
		Min.	Max.	Min.	Max.	
SCL clock frequency	$f_{SCL}$	0	100	0	350	KHz
Hold time (repeated) START condition. After this period, the first clock pulse is generated.	$t_{HD:STA}$	4.0	-	0.6	-	$\mu\text{s}$
LOW period of the SCL clock	$t_{LOW}$	4.7	-	1.3	-	$\mu\text{s}$
HIGH period of the SCL clock	$t_{HIGH}$	4.0	-	0.6	-	$\mu\text{s}$
Set-up time for a repeated START condition	$t_{SU:STA}$	4.7	-	0.6	-	$\mu\text{s}$
Data set-up time	$t_{SU:DAT}$	250	-	100	-	ns
Rise time of both SDA and SCL signals	$t_r$	-	1000	$20+0.1C_b^{(1)}$	300	ns
Fall time of both SDA and SCL signals	$t_f$	-	300	$20+0.1C_b^{(1)}$	300	ns
Set-up time for STOP condition	$t_{SU:STO}$	4.0	-	0.6	-	$\mu\text{s}$
Bus free time between a STOP and START condition	$t_{BUF}$	4.7	-	1.3	-	$\mu\text{s}$
Capacitive load for each bus line	$C_b$	0	400	-	400	pF
Noise margin at the LOW level for each connected device (including hysteresis)	$V_{nL}$	$0.1V_{DD}$	-	$0.1V_{DD}$	-	V
Noise margin at the HIGH level for each connected device (including hysteresis)	$V_{nH}$	$0.2V_{DD}$	-	$0.2V_{DD}$	-	V

Table 14: Two Wire Serial Interface - Characteristics of the SDA and SCL bus lines

### Notes

(1):  $C_b$  = total capacitance of one bus line in pF.

## 6.7 Application Commands Overview

Communications between the TMC222 and a Two Wire Serial Bus Master takes place via a set of commands.

Reading commands are used to:

- Get actual status information, e.g. error flags
- Get actual position of the Stepper Motor
- Verify the right programming and configuration of the TMC222

Writing commands are used to:

- Program the OTP Memory
- Configure the TMC222 with motion parameters (e.g. max/min speed, acceleration, stepping mode, etc.)
- Provide target positions to the Stepper motor

Command Mnemonic	Function	Command Byte (hexadecimal)
GetFullStatus1	Returns complete status of the chip	0x81
GetFullStatus2	Returns actual, target and secure position	0xFC
GetOTPParam	Returns OTP parameter	0x82
GotoSecurePosition	Drives motor to secure position	0x84
HardStop	Immediate full stop	0x85
ResetPosition	Sets actual position to zero	0x86
ResetToDefault	Overwrites the chip RAM with OTP contents	0x87
RunInit	Reference Search	0x88
SetMotorParam	Sets motor parameter	0x89
SetOTPParam	Zaps the OTP memory	0x90
SetPosition	Programmers a target and secure position	0x8B
SoftStop	Motor stopping with deceleration phase	0x8F

**Table 15: Two-Wire-Serial-Interface - Command Overview (in alphabetical order)**

## 6.8 Command Description

There are data fields labeled as "N/A = not applicable". Within the command description tables, the content is normally given as '1'. Data fields labeled by N/A might be reserved for later variants of the TMC222 and the content should be ignored for the TMC222.

Concerning response datagrams, the byte 0 is the slave address that is applied for addressing, where the byte 1 is the slave address that is sent back within the response data frame.

### 6.8.1 GetFullStatus1

This command is provided to the circuit by the Master to get a complete status of the circuit and of the stepper-motor. The parameters sent via the two wire serial bus to the Master are:

- coil peak and hold current values (Irun and Ihold)
- maximum and minimum velocities for the stepper-motor (Vmax and Vmin)
- direction of motion clockwise / counterclockwise (Shaft)
- stepping mode (StepMode) (Table 11: StepMode on page 21)
- acceleration (deceleration) for the Stepper motor (Acc)
- acceleration shape (AccShape)
- status information:
  - motion status <Motion [2:0]>
  - over current flags for coil A <OVC1> and coil B <OVC2>
  - digital supply reset <VddReset>
  - charge pump status <CPFail>
  - external switch status <ESW>
  - step loss <StepLoss>
  - electrical defect <EIDef>
  - under voltage <UV2>
  - temperature information <Tinfo>
  - temperature warning <TW>
  - temperature shutdown <TSD>

GetFullStatus1 command									
Byte	Content	Structure							
		bit 7	bit 6	bit 5	bit 4	bit 3	bit 2	bit 1	bit 0
0	Slave Address	1	1	OTP3	OTP2	OTP1	OTP0	HW	0
1	GetFullStatus1	1	0	0	0	0	0	0	1

GetFullStatus1 command (Response)									
Byte	Content	Structure							
		bit 7	bit 6	bit 5	bit 4	bit 3	bit 2	bit 1	bit 0
0	Slave Address	1	1	OTP3	OTP2	OTP1	OTP0	HW	1
1	Address	1	1	1	OTP3	OTP2	OTP1	OTP0	HW
2	Irun & Ihold	Irun (3:0)				Ihold (3:0)			
3	Vmax & Vmin	Vmax (3:0)				Vmin (3:0)			
4	Status 1	AccShape	StepMode(1:0)		Shaft	ACC(3:0)			
5	Status 2	VddReset	StepLoss	EIDef	UV2	TSD	TW	Tinfo(1:0)	
6	Status 3	Motion(2:0)			ESW	OVC1	OVC2	1	CPFail
7	N/A	1	1	1	1	1	1	1	1
8	N/A	1	1	1	1	1	1	1	1

Note: N/A = not applicable

### 6.8.2 GetFullStatus2

This command is provided to the circuit by the Master to get the actual position of the stepper-motor. The position is provided by the circuit in 16-bit format, with the 3 LSBs at '0' when in half stepping mode (StepMode = "00"). Furthermore programmed target position and secure position are also provided.

GetFullStatus2 command									
Byte	Content	Structure							
		bit 7	bit 6	bit 5	bit 4	bit 3	bit 2	bit 1	bit 0
0	Slave Address	1	1	OTP3	OTP2	OTP1	OTP0	HW	0
1	GetFullStatus2	1	1	1	1	1	1	0	0

GetFullStatus2 command (Response)									
Byte	Content	Structure							
		bit 7	bit 6	bit 5	bit 4	bit 3	bit 2	bit 1	bit 0
0	Slave Address	1	1	OTP3	OTP2	OTP1	OTP0	HW	1
1	Address	1	1	1	OTP3	OTP2	OTP1	OTP0	HW
2	Actual Position 1	ActPos(15:8)							
3	Actual Position 2	ActPos(7:0)							
4	Target Position 1	TagPos(15:8)							
5	Target Position 2	TagPos(7:0)							
6	Secure Position	SecPos(7:0)							
7	Secure Position	1	1	1	1	1	SecPos(10:8)		
8	N/A	1	1	1	1	1	1	1	1

Note: N/A = not applicable

### 6.8.3 GetOTPParam

This command is provided to the circuit by the master to read the content of the OTP Memory. For more information refer to Table 9 : OTP Memory Structure on page 21.

GetOTPParam command									
Byte	Content	Structure							
		bit 7	bit 6	bit 5	bit 4	bit 3	bit 2	bit 1	bit 0
0	Slave Address	1	1	OTP3	OTP2	OTP1	OTP0	HW	0
1	GetOTPParam	1	0	0	0	0	0	1	0

GetOTPParam command (Response)									
Byte	Content	Structure							
		bit 7	bit 6	bit 5	bit 4	bit 3	bit 2	bit 1	bit 0
0	Slave Address	1	1	OTP3	OTP2	OTP1	OTP0	HW	1
1	OTP byte 0	OTP@0x00							
2	OTP byte 1	OTP@0x01							
3	OTP byte 2	OTP@0x02							
4	OTP byte 3	OTP@0x03							
5	OTP byte 4	OTP@0x04							
6	OTP byte 5	OTP@0x05							
7	OTP byte 6	OTP@0x06							
8	OTP byte 7	OTP@0x07							

### 6.8.4 GotoSecurePosition

This command is provided by the Master to one or all the stepper-motors to move to the secure position SecPos[10:0]. It can also be triggered at the end of a RunInit initialization phase. If SecPos[10:0] equals 0x400 (the most negative decimal value of -1024) the secure position is disabled and the GotoSecurePosition command is ignored.

GotoSecurePosition command									
Byte	Content	Structure							
		bit 7	bit 6	bit 5	bit 4	bit 3	bit 2	bit 1	bit 0
0	Slave Address	1	1	OTP3	OTP2	OTP1	OTP0	HW	0
1	GotoSecurePosition	1	0	0	0	0	1	0	0

### 6.8.5 HardStop

This command is internally triggered when an electrical problem is detected in one or both coils, leading to switch off the H-bridges. If this problem is detected while the motor is moving, the <StepLoss> flag is raised allowing to warn the Master that steps may have been lost at the next GetFullStatus1 command. A HardStop command can also be issued by the Master for some safety reasons.

HardStop command									
Byte	Content	Structure							
		bit 7	bit 6	bit 5	bit 4	bit 3	bit 2	bit 1	bit 0
0	Slave Address	1	1	OTP3	OTP2	OTP1	OTP0	HW	0
1	HardStop	1	0	0	0	0	1	0	1

### 6.8.6 ResetPosition

This command is provided to the circuit by the Master to reset ActPos and TagPos registers, in order to allow for an initialization of the stepper-motor position.

**Hint:** This command is ignored during motion. It has no effect during motion. The Status Flags (section 5.2.2, page 20) named 'Motion Status' indicate if the motor is at rest (velocity=0).

ResetPosition command									
Byte	Content	Structure							
		bit 7	bit 6	bit 5	bit 4	bit 3	bit 2	bit 1	bit 0
0	Slave Address	1	1	OTP3	OTP2	OTP1	OTP0	HW	0
1	ResetPosition	1	0	0	0	0	1	1	0



### 6.8.7 ResetToDefault

This command is provided to the circuit by the Master in order to reset the whole slave node into the initial state. ResetToDefault will for instance **overload the RAM** with the reset state of the register parameters. This is another way for the Master to initialize a slave node in case of emergency, or simply to refresh the RAM content.

**Note:** ActPos is not modified by a ResetToDefault command, and it's value is copied into TagPos register in order to avoid an attempt to position the motor to '0'.

ResetToDefault command									
Byte	Content	Structure							
		bit 7	bit 6	bit 5	bit 4	bit 3	bit 2	bit 1	bit 0
0	Slave Address	1	1	OTP3	OTP2	OTP1	OTP0	HW	0
1	ResetToDefault	1	0	0	0	0	1	1	1

### 6.8.8 RunInit

This command is provided to the circuit by the Master in order to initialize positioning of the motor by seeking the zero (or reference) position. Refer to 5.1.11 Reference Search / Position initialization on page 14. It leads to a sequence of the following commands:

- SetMotorParam(Vmax, Vmin);
- SetPosition(Pos1);
- SetMotorParam(Vmin, Vmin);
- SetPosition(Pos2);
- ResetPosition
- GotoSecurePosition

Once the RunInit command is started it can not be interrupted by any other command except when a condition occurs which leads to a motor shutdown (See 5.1.10 Motor Shutdown Management) or a HardStop command is received. If SecPos[10:0] equals 0x400 (the most negative decimal value of -1024) the final travel to the secure position is omitted.

The master has to ensure that the target position of the first motion is **not** equal to the actual position of the stepper motor and that the target positions of the first and second motion are different, too. This is very important otherwise the circuit goes into a deadlock state. Once the circuit is in deadlock state only a HardStop command followed by a GetFullStatus1 command will cause the circuit to leave the deadlock state.

RunInit command									
Byte	Content	Structure							
		bit 7	bit 6	bit 5	bit 4	bit 3	bit 2	bit 1	bit 0
0	Slave Address	1	1	OTP3	OTP2	OTP1	OTP0	HW	0
1	RunInit	1	0	0	0	1	0	0	0
2	N/A	1	1	1	1	1	1	1	1
3	N/A	1	1	1	1	1	1	1	1
4	Vmax Vmin	Vmax(3:0)				Vmin(3:0)			
5	Position1 byte 1	TagPos1(15:8)							
6	Position1 byte 2	TagPos1(7:0)							
7	Position2 byte 1	TagPos2(15:8)							
8	Position2 byte 2	TagPos2(7:0)							

Note: N/A = not applicable

### 6.8.9 SetMotorParam

This command is provided to the circuit by the Master to set the values for the following stepper motor parameters in RAM:

- coil peak current value (Irun)
- coil hold current value (Ihold)
- maximum velocity for the Stepper-motor (Vmax)
- minimum velocity for the Stepper-motor (Vmin)
- acceleration shape (AccShape)
- stepping mode (StepMode)
- direction of the Stepper-motor motion (Shaft)
- acceleration (deceleration) for the Stepper-motor (Acc)
- secure position for the Stepper-motor (SecPos)

If SecPos[10:0] is set to 0x400 (the most negative decimal value of -1024) the secure position is disabled and the GotoSecurePosition command is ignored.

SetMotorParam command									
Byte	Content	Structure							
		bit 7	bit 6	bit 5	bit 4	bit 3	bit 2	bit 1	bit 0
0	Slave Address	1	1	OTP3	OTP2	OTP1	OTP0	HW	0
1	SetMotorParam	1	0	0	0	1	0	0	1
2	N/A	1	1	1	1	1	1	1	1
3	N/A	1	1	1	1	1	1	1	1
4	Irun & I hold	Irun(3:0)				Ihold(3:0)			
5	Vmax & Vmin	Vmax(3:0)				Vmin(3:0)			
6	Status	SecPos(10:8)			Shaft		Acc(3:0)		
7	SecurePos	SecPos(7:0)							
8	StepMode				AccShape	StepMode[1:0]			

Note: N/A = not applicable

### 6.8.10 SetOTPPParam

This command is provided to the circuit by the Master in order to zap the OTP memory. The OTPA address (OTPA) addresses the OTP word (please refer section 5.2.3, page 21) within the OTP Memory structure. The Pbit byte represents the bit pattern to be programmed, where a one programs an un-programmed OTP bit. For example, if one wants to OTP the defaults to Irun := 0xD and Ihold = 0x5, one has to execute the SetOTPPParam with OTPA = 0x03 and Pbit := 0xD5. Those OTP bits that are un-programmed can be programmed to '1' by corresponding Pbit chosen as '1'. For OTP the supply voltage Vbat has to be within the valid range specified as VbbOTP within Table 21, page 45.

SetOTPPParam command									
Byte	Content	Structure							
		bit 7	bit 6	bit 5	bit 4	bit 3	bit 2	bit 1	bit 0
0	Slave Address	1	1	OTP3	OTP2	OTP1	OTP0	HW	0
1	SetOTPPParam	1	0	0	1	0	0	0	0
2	N/A	1	1	1	1	1	1	1	1
3	N/A	1	1	1	1	1	1	1	1
4	OTPA Address	1	1	1	1	1	OTPA(2:0)		
5	Pbit	Pbit(7:0)							

Note: N/A = not applicable

### 6.8.11 SetPosition

This command is provided to the circuit by the Master to drive the motor to a given position relative to the zero position, defined in number of half or micro steps, according to StepMode[1:0] value. SetPosition will not be performed if one of the following flags is set to one:

- temperature shutdown <TSD>
- under voltage <UV2>
- step loss <StepLoss>
- electrical defect <EIDef>

SetPosition command									
Byte	Content	Structure							
		bit 7	bit 6	bit 5	bit 4	bit 3	bit 2	bit 1	bit 0
0	Slave Address	1	1	OTP3	OTP2	OTP1	OTP0	HW	0
1	SetPosition	1	0	0	0	1	0	1	1
2	N/A	1	1	1	1	1	1	1	1
3	N/A	1	1	1	1	1	1	1	1
4	Position byte1	TagPos(15:8)							
5	Position byte2	TagPos(7:0)							

Note: N/A = not applicable

### 6.8.12 SoftStop

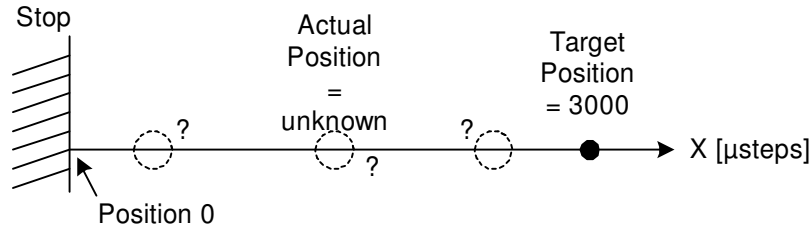
If a SoftStop command occurs during a motion of the Stepper motor, it provokes an immediate deceleration to Vmin followed by a stop, regardless of the position reached. This command occurs in the following cases:

- The chip temperature rises above the Thermal shutdown threshold.
- The Master requests a SoftStop.

SoftStop command									
Byte	Content	Structure							
		bit 7	bit 6	bit 5	bit 4	bit 3	bit 2	bit 1	bit 0
0	Slave Address	1	1	OTP3	OTP2	OTP1	OTP0	HW	0
1	SoftStop	1	0	0	0	1	1	1	1

## 6.9 Positioning Task Example

The TMC222 has to perform a positioning task, where the actual position of the stepper motor is unknown. The desired target position is 3000  $\mu$ steps away from position 0. See figure below.



**Figure 22: Positioning Example: Initial situation**

The following sequence of commands has to be sent to the slave in order to complete the scenario described above (assumed after power on):

### GetFullStatus1

The command is used to read the current status of the TMC222. Electrical or environmental problems will be reported, furthermore the circuit leaves the shutdown state and is ready for action. See 6.8.1 GetFullStatus1 on page 30.

### GetFullStatus2

The circuit will enter a deadlock state if the actual position corresponds to the first target position of the RunInit command. This command is used to read the actual position. The master must take care that both positions are containing different values. For deadlock conditions see 5.1.11 Reference Search / Position initialization on page 14.

### SetMotorParam

In order to drive the stepper motor with a desired motion parameters like torque, velocity, aso. the SetMotorParam command must issued. See 6.8.9 SetMotorParam on page 34.

### RunInit

Hence the actual position is unknown, a position initialization has to be performed. The first motion must drive the stepper motor into the stop for sure. The second motion is a very short motion to bring the motor out of the stop. The actual position is then set to zero automatically after the second motion is finished. See 6.8.8 RunInit on page 33.

After reference search the situation is as depicted in the figure below. Actual position of the stepper motor corresponds to zero, the target position is 3000  $\mu$ steps away from the actual position.

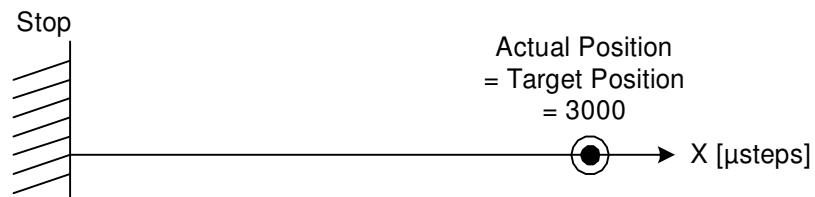


**Figure 23: Positioning Example: Situation after reference search**

Now the positioning command SetPosition can be issued in order to drive the stepper motor to the desired position.

**SetPosition**

This command will cause the stepper motor to move to the desired target position. See 6.8.11 SetPosition on page 35. After the motion has been finished, the situation is as depicted in the figure below.



**Figure 24: Positioning Example: Motion finished**

Afterwards the actual status and position can be verified by GetFullStatus1 and GetFullStatus2 commands. The master can check if a problem, caused by electrical or temperature problems, occurred. Furthermore the actual position is read.

## 7 Frequently Asked Questions

### 7.1 Using the bus interface

**Q: How many devices can be operated on the same bus?**

A: 32 devices can be discriminated by means of the physical address. However, it depends on some factors if this high number really makes sense. First of all it has to be checked if each device can be serviced under any circumstances in the maximum allowed time taking the bus speed and the individual real-time requirements of each device into account. Second, the idea of reserving address 0 for OTP physical address programming during system installation and defective parts replacement reduces the number to 30.

**Q: How to program the OTP physical address bits of a device if there are more devices connected to the same bus?**

A: The problem here is that all new devices are shipped with the OTP physical address bits set to zero making it difficult to address just one device with the SetOTPPParam command. Use HW input as chip select line to address just one device by SetOTPPParam. If this is impracticable since the HW input is hardwired or not controllable for any other reason the only alternative is to assemble and program one device after the other. I.e., assemble only first device and program the desired non-zero address, then assemble the second device and program the desired non-zero address, and so on until all devices are assembled and programmed. This is also a good service concept when replacing defective devices in the field: The idea is that all devices are programmed to different non-zero physical addresses at production/installation time. Once a defective device is being replaced the replacement part can easily be addressed by SetOTPPParam since it is the only part with physical address zero.

### 7.2 General problems when getting started

**Q: What is the meaning of EIDef?**

A: The EIDef flag ('Electrical Defect') is the logical ORing of the OVC1 and OVC2 flags. OVC1 is set to one in case of an overcurrent (coil short) or open load condition (selected coil current is not reached) for coil A. OVC2 is the equivalent for coil B.

**Q: What could be the reason for EIDef / OVC1 / OVC2 being set to one?**

A: There are a number of possible causes:

- Motor not connected (→ open load)
- Connected motor has shorted coils (→ overcurrent) or broken coils (→ open load)
- Motor coils connected to the wrong device pins
- Selected coil current can not be reached (→ open load) due to high coil impedance or low supply voltage. Solution: Select a lower coil run/hold current or rise the supply voltage. Generally: the calculated voltage required to reach a desired coil current at a given coil resistance ( $V = I \cdot R$ ) must be significantly lower than actual supply voltage due to the coil inductivity.

**Q: Should the external switch be normally closed or open when the reference position is hit?**

A: The SWI input resp. the ESW flag have neither effect on any internal state machine nor on command processing, even not on the RunInit command. ESW must be polled by software using GetFullStatus1 command. The software can simply be adapted to whatever state the switch is in when the reference position is hit, i.e. closed or open.

### 7.3 Using the device

**Q: What is the meaning of the 'Shaft' bit?**

A: The Shaft bit determines the rotating direction of the motor, i.e. clockwise or counter-clockwise rotation.

**Q: How to generate an interrupt when the target position is reached?**

A: This is not possible. The device hasn't any interrupt output at all. Just poll ActPos or Motion[2:0] using an appropriate command.

**Q: How can I ensure that I always get consistent data for ActPos and ESW?**

A: There isn't a single command to read both ActPos and ESW simultaneously. GetFullStatus1 will read ESW whereas GetFullStatus2 will read ActPos. Thus it is not possible to read consistent values as long as a motion is in progress.

**Q: How to specify a second target position to go to immediately after a first target position has been reached?**

A: This is possible using the RunInit command. Note, that after the second target position has been reached the internal position counter ActPos is reset to zero.

**Q: Is it possible to change Vmax on-the-fly?**

A: Yes, it is, if the new velocity is in the same group as the old one (see Vmax Parameters). Otherwise correct positioning is not ensured anymore. Vmax values are divided into four groups:

- group A: Vmax index = 0
- group B: Vmax index = 1, 2, 3, 4, 5 or 6
- group C: Vmax index = 7, 8, 9, 10, 11 or 12
- group D: Vmax index = 13, 14 or 15

**Q: Is it possible to change the stepping mode on-the-fly?**

A: Yes, it is possible and it has immediate effect on the current motion.

**Q: How to operate in continuous velocity mode rather than positioning (ramp) mode?**

A: There is no velocity mode. The device was designed primarily for positioning tasks so for each motion there has to be specified a target position by the respective command. However, velocity mode can be emulated by repeating the following two commands again and again:

- Read ActPos using GetFullStatus2 command
- Set lower 16 bits of [ActPos+32767] as the next target position using SetPosition command

For real continuous motion this sequence has to be repeated before the current target position has been reached.

**Q: Which units, formats and ranges does position information have?**

A: All 16-bit position data fields in commands and responses are coded in two's complement format with bit 0 representing 1/16 micro-steps. Hence a position range of  $-32768 \dots +32767$  in units of 1/16 micro-steps is covered regardless of the selected stepping mode (1/2, 1/4, 1/8 or 1/16 micro-stepping). The difference between the stepping modes is the resolution resp. the position of the LSB in the 16-bit position data field: it's bit 0 for 1/16, bit 1 for 1/8, bit 2 for 1/4 and bit 3 for 1/2 micro-stepping. The position range can be regarded as a circle since position  $-32768$  is just 1/16 micro-step away from position  $+32767$ . The device will always take the shortest way from the current to the target position, i.e., if the current position is  $+32767$  and the target position is  $-32768$  just 1/16 micro-step will be executed. 65535 1/16 micro-steps in the opposite direction can be achieved for example by two consecutive SetPosition commands with target positions 0 and  $-32768$ .

The 11-bit secure position data field can be treated as the upper 11 MSBs of the 16-bit position data fields described above with the 5 LSBs hardwired to zero. Hence it covers the same position range with a reduced resolution: The position range is  $-1024 \dots +1023$  in units of two full-steps.

## 7.4 Finding the reference position

### Q: How do I find a reference position?

A: The recommended way is to use the RunInit command. Two motions are specified through RunInit. The first motion is to reach the mechanical stop. Its target position should be specified far away enough so that the mechanical stop will be reached from any possible starting position. There is no internal stall detection so that at the end of the first motion the step motor will bounce against the mechanical stop losing steps until the internal target position is reached. The second motion then can be used either to drive in the opposite direction out of the mechanical stop right into the reference position which is a known number of steps away from the mechanical stop. Or the second motion can slowly drive a few steps in the same direction against the mechanical stop to compensate for the bouncing of the faster first motion and stop as close to the mechanical stop as possible.

### Q: Can the SWI input help in finding a reference position?

Not directly. The current state of the SWI input is reflected by the ESW flag which can only be polled using the command GetFullStatus1. The SWI input resp. the ESW flag have neither influence on any internal state machine nor on command processing. The recommended way to find a reference position is to use the RunInit command. Alternatively one could initiate a long distance motion at very low speed using SetPosition and then poll ESW as frequently as possible to be able to stop the motion using HardStop right in the moment the switch position is reached. Then one would reset the internal position counters ActPos and TagPos using the ResetPosition command.

### Q: What is the logic of the ESW flag?

A: The ESW flag reflects the state of the SWI input. ESW is set to one if SWI is high or low, i.e. pulled to VBAT or to GND. ESW is set to zero if SWI is left open, i.e. floating. ESW is updated synchronously with ActPos every 1024  $\mu$ s.

### Q: Is it possible to swap the logic of the ESW flag?

A: No, it's not. Actually this is not necessary since the ESW flag must be polled and evaluated by software anyway. The state of ESW has neither effect on any internal state machine nor on command processing.

### Q: What else is important for the RunInit command?

A: The first target position of RunInit must be different from the current position before sending RunInit and the second target position must be different from the first one. Otherwise a deadlock situation can occur. During execution of RunInit only Get... commands should be sent to the device.

### Q: Does the second motion of RunInit stop when the ESW flag changes, or does it continue into the mechanical stop?

A: Neither nor. The SWI input resp. the ESW flag have neither effect on any internal state machine nor on command processing, i.e. the RunInit command is not influenced by SWI / ESW. The same is true for the mechanical stop: as there isn't any internal stall detection the RunInit command can not detect a mechanical stop. When the mechanical stop is hit the first or second motion of RunInit (or the motion of any other motion command) will be continued until the internal position counter ActPos has reached the target position of this motion. This results in the motor bouncing against the mechanical stop and losing steps. The intention of the second motion of RunInit is to drive out of the mechanical stop (reached by the first motion) to the desired reference position at a known distance from the mechanical stop or to drive slowly against the mechanical stop again to compensate for the bouncing of the first motion and to come to a standstill as close to the mechanical stop as possible.

### Q: Does RunInit reset the position?

A: Yes, it does. After the second motion of RunInit has been finished the internal position counter ActPos is reset to zero.



## 8 Package Outline

### 8.1 SOIC-20

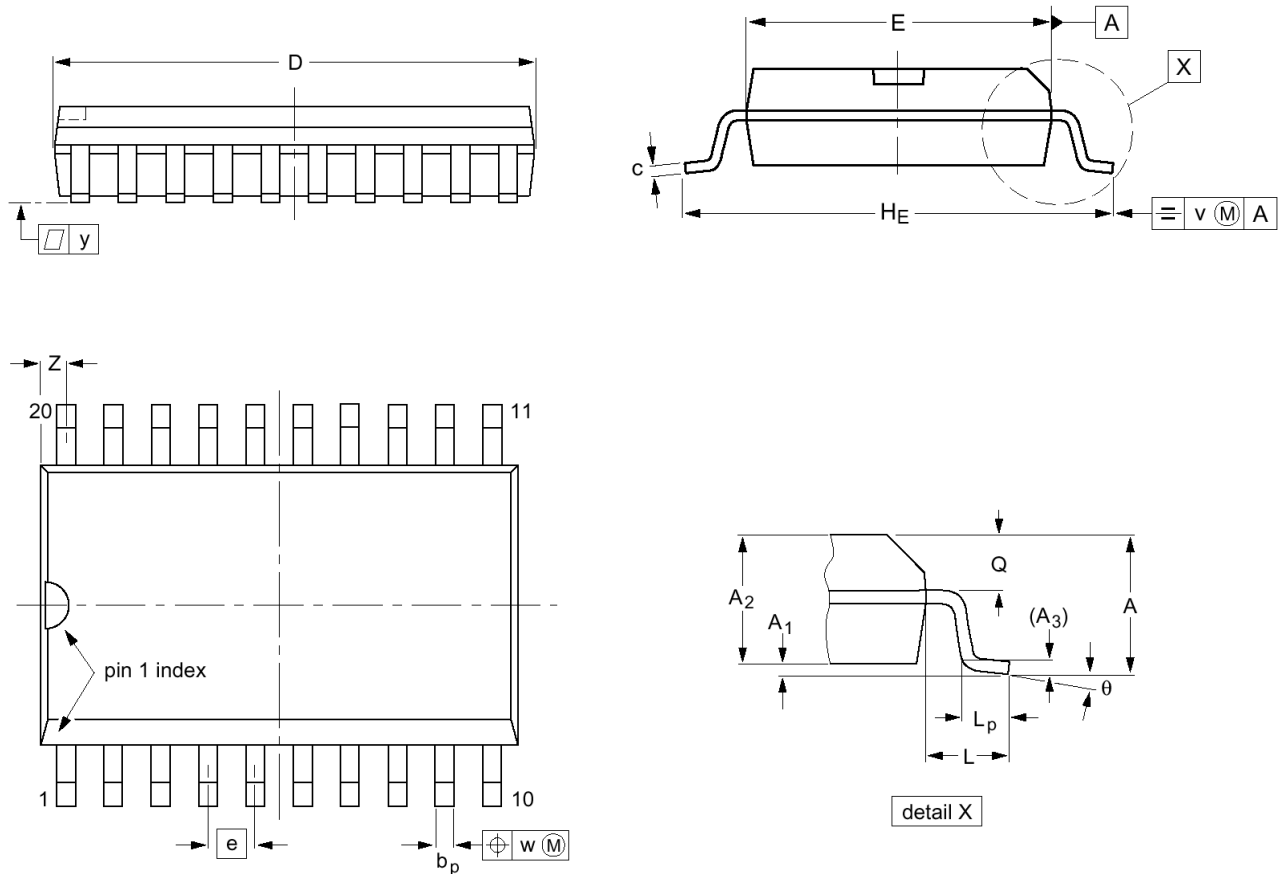


Figure 25: Package Outline SOIC-20

UNIT	A max	A <sub>1</sub>	A <sub>2</sub>	A <sub>3</sub>	b <sub>p</sub>	c	D <sup>(1)</sup>	E <sup>(1)</sup>	e	H <sub>E</sub>	L	L <sub>p</sub>	Q	v	w	y	Z <sup>(1)</sup>	theta
mm	2.65	0.30 0.10	2.45 2.25	0.25	0.49 0.36	0.32 0.23	13.0 12.6	7.6 7.4	1.27	10.65 10.00	1.4	1.1 0.4	1.1 1.0	0.25	0.25	0.1	0.9 0.4	8°
inches	0.10	0.012 0.004	0.096 0.089	0.01	0.019 0.014	0.013 0.009	0.51 0.49	0.30 0.29	0.050	0.419 0.394	0.055	0.043 0.016	0.043 0.039	0.01	0.01	0.004	0.035 0.016	0°

Table 16: SOIC-20 Mechanical Data

Note: inch dimensions are derived from the original mm dimensions

8.2 QFN32

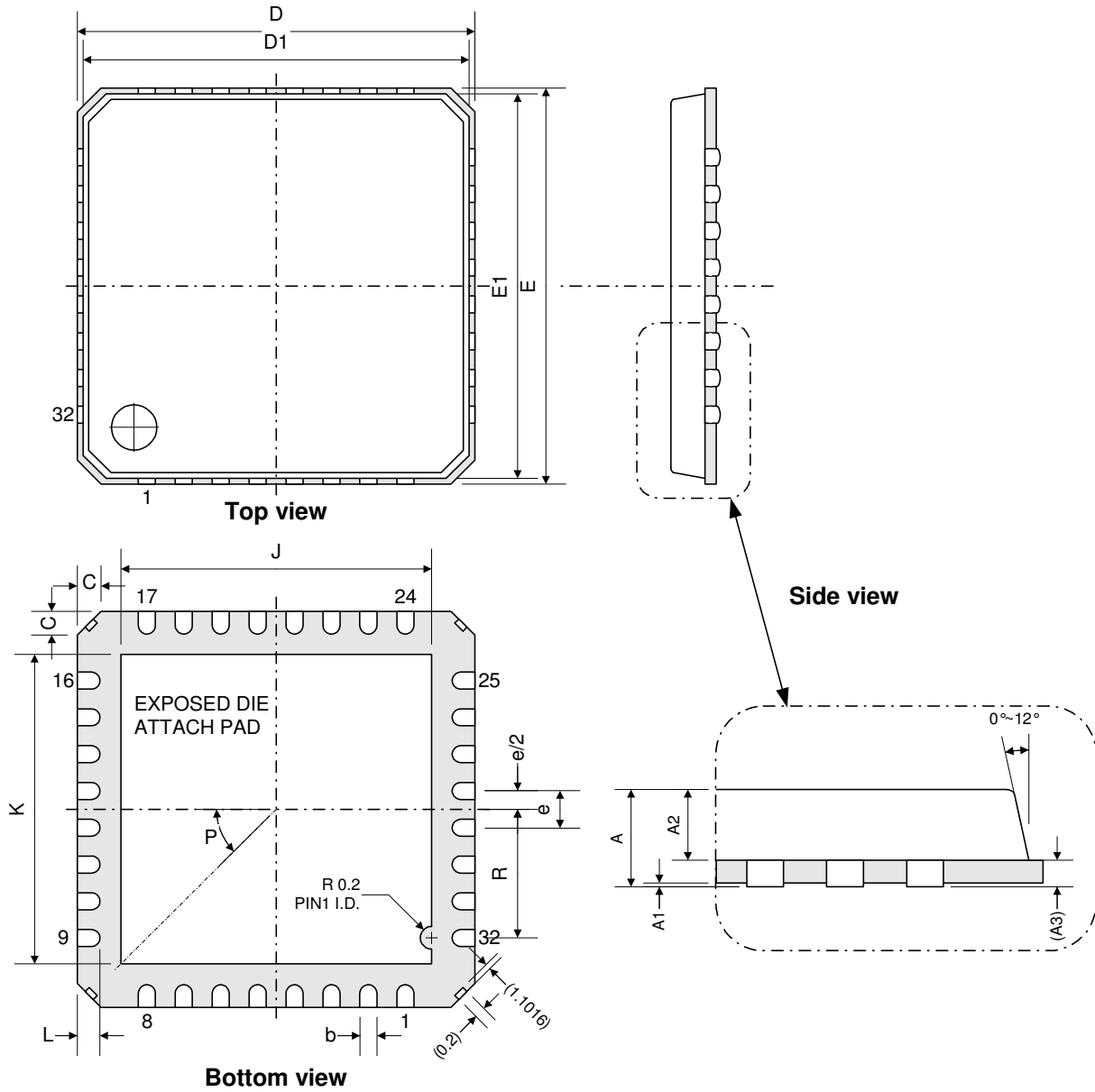


Figure 26: Package Outline QFN32

REF	A	A1	A2	A3	b	C	D	D1	E	E1	e	J	K	L	P	R
MIN	0.80	0.00	0.576		0.25	0.24						5.37	5.37	0.35		2.185
NOM		0.02	0.615	0.203	0.3	0.42	7	6.75	7	6.75	0.65	5.47	5.47	0.4	45	
MAX	0.90	0.05	0.654		0.35	0.6						5.57	5.57	0.45		2.385
Unit	mm	mm	mm	mm	mm	mm	mm	mm	mm	mm	mm	mm	mm	mm	deg.	mm

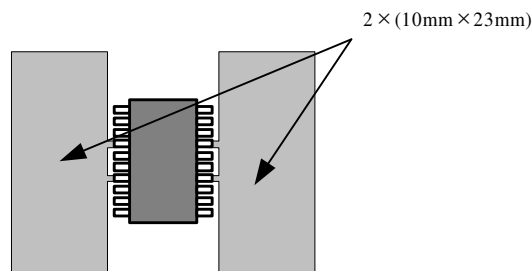
**Hint:** The exposed die attached pad is electrical ground. This pad should be connected to ground or can be left open. It is recommended to connect it to ground for cooling.

## 9 Package Thermal Resistance

### 9.1 SOIC-20 Package

The junction case thermal resistance is  $28^{\circ}\text{C}/\text{W}$ , leading to a junction ambient thermal resistance of  $63^{\circ}\text{C}/\text{W}$ , with the PCB ground plane layout condition given in the figure below and with

- PCB thickness = 1.6mm
- 1 layer
- Copper thickness =  $35\mu\text{m}$



**Figure 27: Layout consideration**

## 10 Electrical Characteristics

### 10.1 Absolute Maximum Ratings

Parameter		Min	Max	Unit
Vbat	Supply Voltage	-0.3	+35	V
Tamb	Ambient temperature under bias (*)	-50	+150	°C
Tst	Storage temperature	-55	+160	°C
Vesd (**)	Electrostatic discharge voltage on pins	-2	+2	kV

**Table 17: Absolute Maximum Ratings**

(\*) The circuit functionality is not guaranteed

(\*\*) Human body model (100pF via 1.5 KΩ)

### 10.2 Operating Ranges

Parameter		Min	Max	Unit	
Vbat	Supply Voltage (Vbb)	+8	+29	V	
Top	Operating temperature range	Vbat <= 18V	-40	+125	°C
		Vbat <= 29V	-40	+85	°C

**Table 18: Operating Ranges**

### 10.3 DC Parameters

Motor Driver							
Symbol	Pin(s)	Parameter	Test condition	Min	Typ	Max	Unit
IMSm <sub>max</sub> Peak	OA1 OA2 OB1 OB2	Max current through motor coil in normal operation			800		mA
IMSm <sub>max</sub> RMS		Max RMS current through coil in normal operation			570		mA
RDS <sub>on</sub>		On resistance for each pin (including bond wire)	To be confirmed by characterization			1	Ω
IMSL		Leakage current	HZ Mode, 0V < V(pin) < Vbb	-50		+50	μA

**Table 19: DC Parameters Motor Driver**

Thermal Warning and shutdown							
Symbol	Pin(s)	Parameter	Test condition	Min	Typ	Max	Unit
Ttw		Thermal Warning		138	145	152	°C
Ttsd (*)		Thermal Shutdown			Ttw + 10		°C
Tlow		Low Temperature Warning				Ttw - 155	°C

**Table 20: DC Parameters Thermal Warning and shutdown**

(\*) NO more than 100 cumulated hours in life time above Ttsd

Supply and Voltage regulator							
Symbol	Pin(s)	Parameter	Test condition	Min	Typ	Max	Unit
Vbb	VBB	Nominal operating supply range (*)		6.5		18	V
VbbT85		Nominal operating supply range (*) for temperature < 85 °C		6.5		29	V
VbbOTP		Supply Voltage for OTP zapping		8.5		9.5	V
UV1		Low voltage high threshold		8.8	9.4	9.8	V
UV2		Stop voltage low threshold		8.1	8.5	8.9	V
Ibat		Total current consumption	Unloaded Outputs			10	
Vdd	VDD	Internal regulated output (**)	8V < Vbb < 18V Cload = 1µF (+100nF cer.)	4.75	5	5.25	V
IddStop		Digital current consumption	Vbb < UV2		2		mA
VddReset		Digital supply reset level (***)				4.4	V
IddLim		Current limitation	Pin shorted to ground			40	mA

Table 21: DC Parameters Supply and Voltage regulator

(\*) Communication over serial bus is operating. Motor driver is disabled when Vbb < UV2.

(\*\*) Pin VDD must not be used for any external supply.

(\*\*\*) The RAM content will not be altered above this voltage

Switch Input and hardwired address input HW							
Symbol	Pin(s)	Parameter	Test condition	Min	Typ	Max	Unit
Rt_OFF	SWI HW	Switch OFF resistance (*)	Switch to GND or Vbat	10			kΩ
Rt_ON		Switch ON resistance (*)				2	kΩ
Vbb_sw		Vbb range for guaranteed operation of SWI and HW		6		18	V
Vmax_sw		Maximum Voltage	T < 1s			40	V
Ilim_sw		Current limitation	Short to GND or Vbat			30	mA

Table 22: DC Parameters Switch Input and hardwired address input

(\*) External resistance value seen from pin SWI or HW, including 1kΩ series resistor

Test pin							
Symbol	Pin(s)	Parameter	Test condition	Min	Typ	Max	Unit
Vhigh	TST	Input level high		0.7			Vdd
Vlow		Input level low				0.3	Vdd
HWhyst		Hysteresis		0.075			Vdd

Table 23: DC Parameters Test pin

Charge Pump							
Symbol	Pin(s)	Parameter	Test condition	Min	Typ	Max	Unit
Vcp	VCP	Output Voltage	Vbb > 15V	Vbb+10	Vbb+12.5	Vbb+15	V
			Vbb > 8V	Vbb+5.8			
Cbuffer		External Buffer Capacitor		220		470	nF
Cpump	CPP CPN	External pump Capacitor		220		470	nF

Table 24: DC Parameters Charge Pump

## 10.4 AC Parameters

Power-Up							
Symbol	Pin(s)	Parameter	Test condition	Min	Typ	Max	Unit
Tpu		Power-Up time				10	ms

Table 25: AC Parameters Power-Up

Switch Input and hardwired address input HW							
Symbol	Pin(s)	Parameter	Test condition	Min	Typ	Max	Unit
Tsw	SW1	Scan Pulse Period		921	1024	1127	μs
Tsw_on	HW	Scan Pulse Duration			1/16		Tsw

Table 26: AC Parameters Switch Input and hardwired address input

Motor Driver							
Symbol	Pin(s)	Parameter	Test condition	Min	Typ	Max	Unit
Fpwm	OA1	PWM frequency		18	20	22	kHz
Tbrise	OA2	Turn-On transient time	Between 10% and 90%		350		ns
Tbfall	OB1 OB2	Turn-Off transient time			250		ns

Table 27: AC Parameters Motor Driver

## Revision History

Version	Date (Initials)	Comments
up to 0.90p	July 9, 2003	before v. 0.90 changes on unpublished internal versions only
0.91p	September 18, 2003	pins renamed according to TRINAMIC conventions; corrections concerning cross references, drawings in PDF
0.92p	January 28, 2004	Order Code Update (Table 2: Ordering Information, page 7)
0.93p	April 23, 2004	New TRINAMIC logo; Table 5: Acc Parameter, page 11: combined cells with same value; ESW is zero when switch is open (section 5.1.9, page 12); Table 9 : OTP Memory Structure on page 21: corrections concerning bit mappings (exchanged locations of SecPos10... SecPos8 and StepMode1... StepMode 0); corrected command descriptions
1.01	August 24, 2004	velocity groups integrated into Vmax table; corrected and enhanced Vmin table; corrected meaning of Shaft bit; FAQ included
1.02	September 15, 2004	Updated Ordering Information; improved description of 2 <sup>nd</sup> motion of RunInit in Reference Search / Position initialization; combined tables for Irun and lhold; some corrections to DC Parameters; added final travel to secure position during RunInit; reworked Internal handling of commands and flags
1.03	October 1, 2004	New company address
1.04	January 7, 2005	Order code updated (Table 2: Ordering Information, page 7); GetFullStatus1 (section 6.8.1, page 30) byte 1 (address) corrected; hint concerning ResetPosition added (section 6.8.6, page 32)
1.05	October 21, 2005	Unit [FS/s] for Vmin added for Table 4 page 11, hint concerning OTP memory (section 5.2, page 19); notes concerning "N/A = not applicable" added due to customer requests, general hint concerning N/A added and hint concerning slave address (byte 0) vs. slave address (byte) of response datagrams added (section 6.8, page 30); hints added concerning the SWI switch input and its ESW flag (section 5.1.9, page 12); hints concerning physical address (section 6.3, page 26); GetFullStatus1 command (Response) Byte 1 Structure corrected (section 6.8.1, page 30); GetFullStatus2 command (Response) Byte 1 Structure corrected (section 6.8.2, page 31); explanations and cross reference for OTP from section 6.8.10, page 34 to section 5.2.3 page 21; labeling indices of contend for TagPos 1 & 2 corrected for the RunInit Command (section 6.8.8, page 33)
1.06	March 15, 2007	QFN32 package information added: Pin and Signal description to section 2.6 page 6, Ordering information to 4 page 7, Package Outline information to 8 page 41; Comment to 5.1.11, page 14: positions of Pos1 and Pos2; orientation of marking outline for TMC222 symbols referring to the SOIC package adapted to real marking (p. 1, p. 6)
1.07	August 8, 2007	QFN pinning on page 1 corrected, was bottom view before.
1.08	July 14, 2008	fixed MSBs (bit #7, bit #6, bit #5) of return byte #1 (Address) of GetFullStatus1 (section 6.8.1 GetFullStatus1, page 30) corrected to '1'; fixed MSBs (bit #7, bit #6, bit #5) of return byte #1 (Address) of GetFullStatus2 (section 6.8.2 GetFullStatus2, page 31) corrected to '1'; internal calibration parameters that can be read out via GetOTPParm grayed within table Table 9 : OTP Memory Structure (section 5.2.3 OTP Memory Structure, page 21) and hint added that these bits should not be used after read out;
1.09	July 17, 2008	references to Table 9 : OTP Memory Structure corrected; color of fixed MSBs of GetFullStatus1/2 corrected (were green); numbering of tables corrected (#10 was missing)
1.10	March 2 <sup>nd</sup> , 2009 (LL)	GetActualPos (part of GetFullStatus2) corrected in Table 8: Priority Encoder, page 18 (GetActualPos => GetFullStatus2)
1.11	November 25, 2009 (LL)	Hint concerning connecting exposed ground for cooling added (section 8.2, page 42); operating supply voltage range (VbbT85 parameter added for temperature < 85 °C (VbbT85 Table 21, page 45)
1.12	March 7, 2011 (LL)	Hints concerning usage of HW pin and SWI pin added Table 1: TMC222 Signal Description, page 6; section 5.1.9 External Switch SWI, page 12; section 6.3 Physical Address of the circuit, page 26;

Please refer to [www.trinamic.com](http://www.trinamic.com) for updated data sheets and application notes on this product and on other products.

The TMCtechLIB CD-ROM including data sheets, application notes, schematics of evaluation boards, software of evaluation boards, source code examples, parameter calculation spreadsheets, tools, and more is available from TRINAMIC Motion Control GmbH & Co. KG by request to [tmc\\_info@trinamic.com](mailto:tmc_info@trinamic.com)