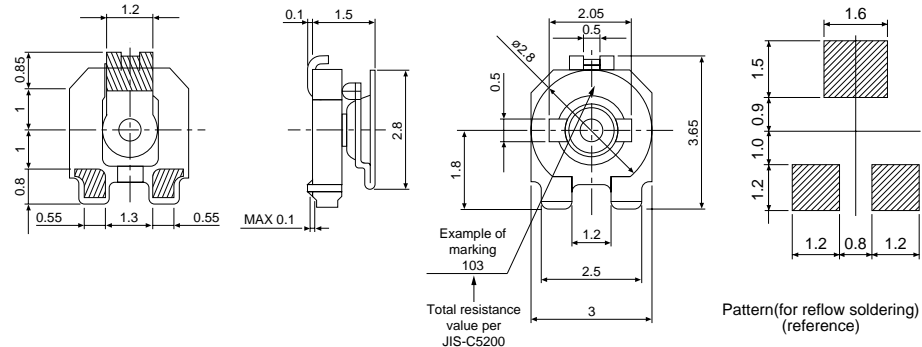
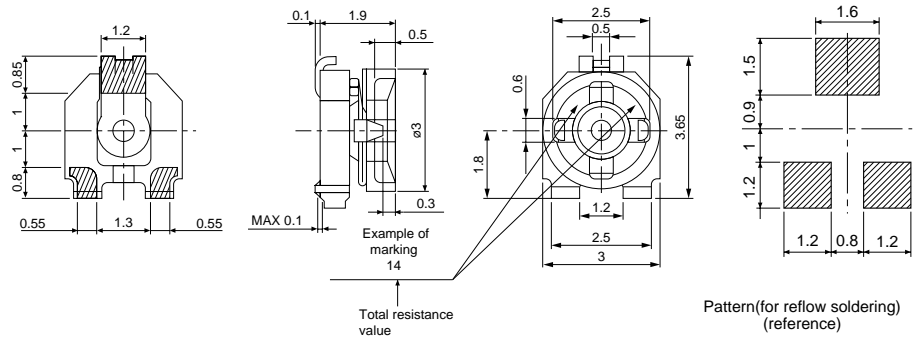


Surface Mount Trimmer Potentiometer (Metal-glazed Type) TMC3K Series

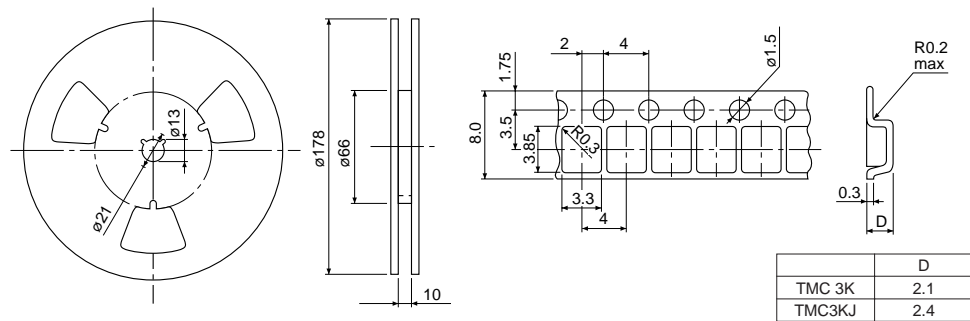
TMC3K



TMC3KJ



Taping (Holds, 2000 parts)



FEATURES

- 1.Space Saving Size
- 2.Easily adjusts with standard screwdriver.
- 3.Metal-glaze resistance element gives excellent stability and protection against environmental factors.
- 4.Can be mounted to a circuit board with adhesive.
- 5.Designed for reflow soldering.
- 6.Supplied in 8mm tape for automatic assembly equipment.

APPLICATIONS

CAMERA built-in VCR, 8mm VCR, VCR camera, still camera, headphone stereos, LCD television, disk drive, bar code equipments, rader detectors, hand held equipments.

SPECIFICATIONS

Total Rotational Angle	Endless (effective rotational angle 250 ±20°)
Rotational Torque	1~20mN·m(10.2~204gf·cm)
Nominal Total Resistance	100kΩ, 220kΩ, 470kΩ, 1kΩ, 2.2kΩ, 4.7kΩ, 10kΩ, 22kΩ, 47kΩ, 100kΩ, 220kΩ, 470kΩ, 1MΩ, 2.2MΩ
Total Resistance	Within ±25% of the nominal total resistance
Resistance Taper	taper B(Linear)
Rated Power	0.1W
Maximum Rated Voltage	AC20V,DC20V
Resistance Temperature Coefficient	Within±250ppm/°C