

TMDS171/I 3.4 Gbps TMDS RETIMER

1 Features

- HDMI Input Port to Output Port with CDR Supporting up to 3.4 Gbps Data Rates
- Compatible with HDMI1.4b Electrical Parameters.
- Support for 4k2k30p and up to WUXGA 12-bit Color Depth or 1080p with Higher Refresh Rates™
- Retimes Input Stream to Compensate for Random Jitter
- Adaptive Receiver Equalizer or Programmable Fixed Equalizer
- I²C and Pin Strap Programmable
- Inter-Pair Skew Compensation of 5+ Bits
- Link Debug Tools Including Eye Diagram After RX Equalizer
- Single Ended Mode ARC Support
- 48-pin 7mm x 7mm 0.5 mm Pitch VQFN Package
- Extended Commercial Temperature Support 0°C – 85°C (TMDS171)
- Industrial Temperature Support -40°C – 85°C (TMDS1711)

2 Applications

- Digital TV
- Digital Projector
- Audio/Video Equipment
- Blu-Ray DVD
- Monitors
- Desktops/ All-in-Ones
- Active Cables

3 Description

The TMDS171 is a digital video interface (DVI) or high-definition multimedia interface (HDMI) retimer. The TMDS171 supports four TMDS channels, Audio Return Channel (SPDIF_IN/ARC_OUT), Hot Plug Detect (HPD) and Digital Display Control (DDC) interfaces. The TMDS171 supports signaling rates up to 3.4 Gbps to allow for the highest resolutions of 4k2k30p 24 bits per pixel and up to WUXGA 12-bit color depth or 1080p with higher refresh rates. The TMDS171 automatically configures itself as a re-driver at low data rate (< 1 Gbps) or as a re-timer above this data rate.

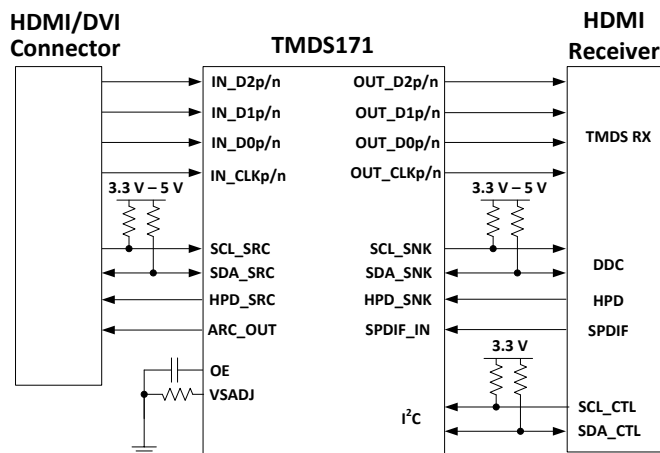
The TMDS171 supports dual power supply rails of 1.2 V on VDD and 3.3 V on VCC for active power reduction. Several methods of power management are implemented to reduce overall power consumption. TMDS171 supports fixed EQ gain or adaptive EQ control by I²C or pin strap to compensate for different lengths input cable or board traces.

Device Information⁽¹⁾

| PART NUMBER | PACKAGE | BODY SIZE (NOM) |
|-------------|----------------|-------------------|
| TMDS171 | (VQFN) 48 Pins | 7.00 mm x 7.00 mm |
| TMDS1711 | | |

(1) For all available packages, see the orderable addendum at the end of the data sheet.

Simplified Schematic



Copyright © 2016, Texas Instruments Incorporated

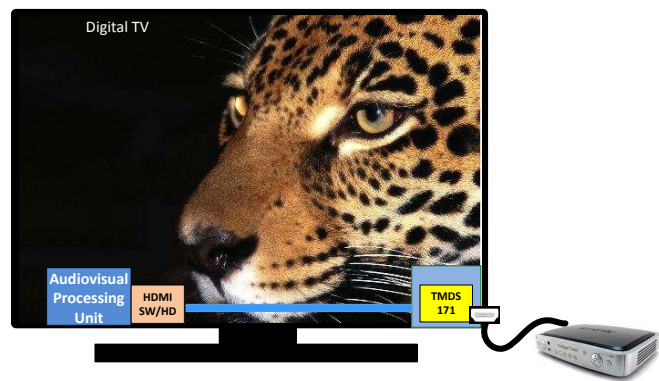


Table of Contents

| | | | |
|--|----|--|----|
| 1 Features | 1 | 8.4 Device Functional Modes | 28 |
| 2 Applications | 1 | 8.5 Register Maps | 30 |
| 3 Description | 1 | 9 Application and Implementation | 43 |
| 4 Revision History | 2 | 9.1 Application Information | 43 |
| 5 Pin Configuration and Functions | 4 | 9.2 Source Side Application | 45 |
| 6 Specifications | 6 | 9.3 System Examples | 49 |
| 6.1 Absolute Maximum Ratings | 6 | 10 Power Supply Recommendations | 50 |
| 6.2 ESD Ratings | 6 | 11 Layout | 52 |
| 6.3 Recommended Operating Conditions | 7 | 11.1 Layout Guidelines | 52 |
| 6.4 Thermal Information | 7 | 11.2 Layout Example | 53 |
| 6.5 Electrical Characteristics | 8 | 12 Device and Documentation Support | 54 |
| 6.6 Switching Characteristics | 10 | 12.1 Related Documentation | 54 |
| 6.7 Typical Characteristics | 12 | 12.2 Receiving Notification of Documentation Updates | 54 |
| 7 Parameter Measurement Information | 12 | 12.3 Community Resources | 54 |
| 8 Detailed Description | 20 | 12.4 Trademarks | 54 |
| 8.1 Overview | 20 | 12.5 Electrostatic Discharge Caution | 54 |
| 8.2 Functional Block Diagram | 21 | 12.6 Glossary | 54 |
| 8.3 Feature Description | 21 | 13 Mechanical, Packaging, and Orderable Information | 54 |

4 Revision History

Changes from Revision D (August 2016) to Revision E

Page

| | |
|--|----|
| • Added Note 3 to the <i>Electrical Characteristics</i> table | 8 |
| • Deleted text "which is needed for certain HDMI CTS test." from the second paragraph in the <i>Overview</i> section | 20 |
| • Changed section: <i>Input Signal Detect Block</i> | 25 |
| • Changed H to X in the first row of the HPD_SNK column in Table 36 | 51 |
| • Changed the IN_Dx column in Table 36 | 51 |

Changes from Revision C (April 2016) to Revision D

Page

| | |
|---|---|
| • Recommended Operating Conditions , Changed the CONTROL PINS section | 7 |
| • Electrical Characteristics Changed the DDC and I2C section | 9 |

Changes from Revision B (February 2016) to Revision C

Page

| | |
|---|----|
| • Changed pin 36 Description From: TX_TERM_CTL = L: 150 - 300 Ω To: TX_TERM_CTL = L: Reserved in the <i>Pin Functions</i> table | 6 |
| • Added OE to V _{IL} "Low-level input voltage" in the Recommended Operating Conditions table | 7 |
| • Added OE to V _{IH} "High-level input voltage" in the Recommended Operating Conditions table | 7 |
| • Changed Figure 23 | 22 |
| • Deleted the VDD_ramp and VCC_ramp MIN values in Table 1 | 23 |
| • Changed TX_TERM_CTL = L to Reserved in Table 3 | 25 |
| • Changed text "address 22h through the I ² C interface" To: "address 0Bh through the I ² C interface" DDC Functional Description | 29 |
| • Added Note to 11–400-kbps in Table 8 | 32 |
| • Added Note to 11–400-kbps in Table 10 | 34 |

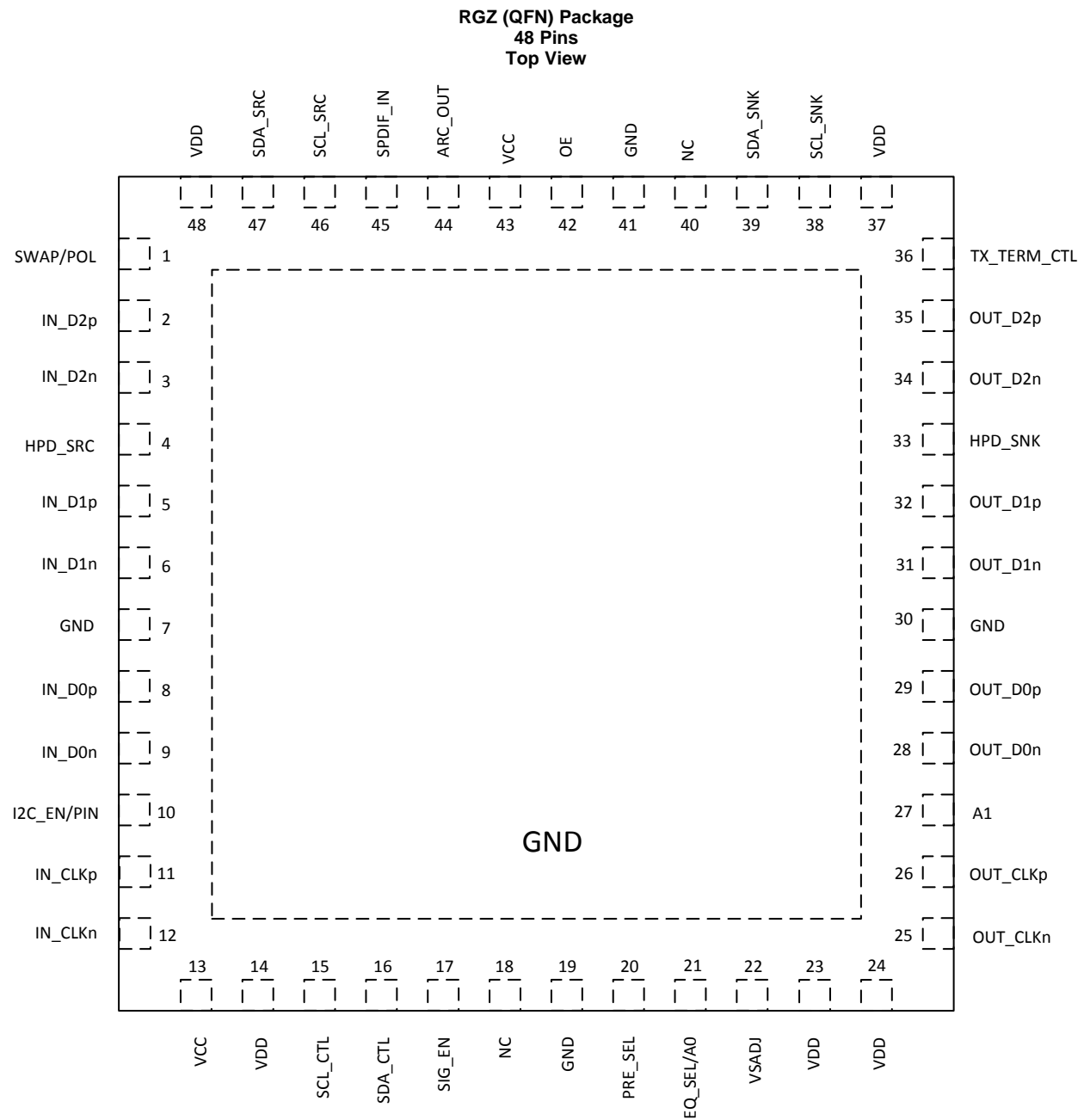
Changes from Revision A (December 2015) to Revision B **Page**

- Changed Pin 44 From: AUX_SRCn To: ARC_OUT Pin 45 From: AUX_SRCn To: SPDIF_IN in the [Pin Configuration and Functions](#) image 4
-

Changes from Original (October 2015) to Revision A **Page**

- Changed the device status From: Product Preview To: Production 1
-

5 Pin Configuration and Functions



Pin Functions

| PIN | | I/O ⁽¹⁾ | DESCRIPTION |
|--|--------------------|--------------------|---|
| NAME | NO. | | |
| VCC | 13, 43 | P | 3.3 V Power Supply |
| VDD | 14, 23, 24, 37, 48 | P | 1.2 V Power Supply |
| GND | 7, 19, 41, 30 | G | Ground |
| Thermal Pad | | G | Ground |
| MAIN LINK INPUT PINS (FAIL SAFE) | | | |
| IN_D2p/n | 2, 3 | I | Channel 2 Differential Input |
| IN_D1p/n | 5, 6 | I | Channel 1 Differential Input |
| IN_D0p/n | 8, 9 | I | Channel 0 Differential Input |
| IN_CLKp/n | 11, 12 | I | Clock Differential Input |
| MAIN LINK OUTPUT PINS (FAIL SAFE) | | | |
| OUT_D2n/p | 34, 35 | O | TMDS Data 2 Differential Output |
| OUT_D1n/p | 31, 32 | O | TMDS Data 1 Differential Output |
| OUT_D0n/p | 28, 29 | O | TMDS Data 0 Differential Output |
| OUT_CLKn/p | 25, 26 | O | TMDS Clock Differential Output |
| HOT PLUG DETECT PINS | | | |
| HPD_SRC | 4 | O | Hot Plug Detect Output to source side |
| HPD_SNK | 33 | I | Hot Plug Detect Input from sink side |
| AUDIO RETURN CHANNEL and DDC PINS | | | |
| SPDIF_IN | 45 | I | SPDIF signal input |
| ARC_OUT | 44 | O | Audio return channel output |
| SDA_SRC | 47 | I/O | Source Side TMDS Port Bidirectional DDC Data line |
| SCL_SRC | 46 | I/O | Source Side TMDS Port Bidirectional DDC Clock line |
| SDA_SNK | 39 | I/O | Sink Side TMDS Port Bidirectional DDC Data Line |
| SCL_SNK | 38 | I/O | Sink Side TMDS Port Bidirectional DDC Clock Line |
| CONTROL PINS⁽²⁾ | | | |
| OE | 42 | I | Operation Enable/Reset Pin OE = L: Power Down Mode OE = H: Normal Operation Internal weak pull up: Resets device when transitions from H to L |
| SIG_EN | 17 | I | Signal detector circuit enable SIG_EN = L: Signal Detect Circuit Disabled: Term resistors always connected (Default) SIG_EN = H: Signal Detect Circuit Enabled: When no valid clock device enters Standby Mode. Internal weak pull down |
| PRE_SEL | 20 | I 3-Level | De-emphasis Control when I2C_EN/PIN = Low. PRE_SEL = L: -2 dB PRE_SEL = No Connect: 0 dB PRE_SEL = H: Reserved When I2C_EN/PIN = High; De-emphasis is controlled through I ² C |
| EQ_SEL/A0 | 21 | I | Input Receive Equalization pin strap when I2C_EN/PIN = Low EQ_SEL = L: Fixed EQ at 7.5 dB EQ_SEL = No Connect: Adaptive EQ EQ_SEL = H: Fixed at 14 dB When I2C_EN/PIN = High Address Bit 1 Note: 3 level for pin strap programming but 2 level when I ² C address |
| I2C_EN/PIN | 10 | I | I2C_EN/PIN = High; Puts Device into I2C Control Mode I2C_EN/PIN = Low; Puts Device into Pin Strap Mode |
| SCL_CTL | 15 | I/O | I ² C Clock Signal when I ² C_EN/PIN = High. Note: When I2C_EN = Low; Pin strapping takes priority and those functions cannot be changed by I ² C |
| SDA_CTL | 16 | I/O | I ² C Data Signal when I ² C_EN/PIN = High Note: When I2C_EN = Low; Pin strapping takes priority and those functions cannot be changed by I ² C |
| VSadj | 22 | I | TMDS Output Voltage Swing Control; Nominal 7.06 kΩ Resistor to GND |

(1) (1) G = Ground, I = Input, O = Output, P = Power

(2) (H) Logic High (Pin strapped to VCC through 65 kΩ resistor); (L) Logic Low (Pin strapped to GND through 65 kΩ resistor); (Mid-Level = No connect)

Pin Functions (continued)

| PIN | | I/O ⁽¹⁾ | DESCRIPTION |
|-------------|--------|--------------------|--|
| NAME | NO. | | |
| A1 | 27 | I | High address bit 2 for I ² C programming Weak internal pull down. Note: When I2C_EN/PIN = Low for Pin Strapping Mode leave this pin as No connect |
| TX_TERM_CTL | 36 | I 3-Level | Transmit Termination Control TX_TERM_CTL = H: No transmit Termination TX_TERM_CTL = L: Reserved TX_TERM_CTL = No Connect: Automatically selects the termination impedance 2 Gbps > DR ≤ 3.4 Gbps – 150 - 300 Ω differential near end termination DR < 2 Gbps – no termination Note: If left floating; the device will be in Automatic Select Mode. DR stands for Data Rate |
| SWAP/POL | 1 | I 3-Level | Receive Polarity Swap and Receive Lane Swap control pin SWAP/POL = H: Receive Lanes Polarity Swap (Retimer Mode Only) SWAP/POL = L: Receive Lanes (Retimer and Redriver Mode) Swap SWAP/POL = No Connect, Normal Operation |
| NC | 18, 40 | – | No connect |

6 Specifications

6.1 Absolute Maximum Ratings

 over operating free-air temperature range (unless otherwise noted) ⁽¹⁾⁽²⁾⁽³⁾

| | | MIN | MAX | UNIT |
|---------------------------------------|--|---|-------------------------|------|
| Supply Voltage Range | VCC | -0.3 | 4 | |
| | VDD | -0.3 | 1.4 | |
| Voltage Range | Main Link Input Differential Voltage (IN_Dx, IN_CLKx); I _{IN} = 15mA | V _{CC} - 0.75 V | V _{CC} + 0.3 V | V |
| | TMDS Outpus (OUT_Dx) | -0.3 | 4 | |
| | HPD_SRC, Vsadj, SDA_CTL, SCL_CTL, OE, A1, PRE_SEL, EQ_SEL/A0, I2C_EN/PIN, SIG_EN, TX_TERM_CTL, | -0.3 | 4 | |
| | HDP_SNK, SDA_SNK, SCL_SNK, SDA_SRC, SCL_SRC | -0.3 | 6 | |
| Input Current I _{IN} | Main Link Input Differential Voltage (IN_Dx, IN_CLKx); | | 15 | mA |
| Continuous power dissipation | | See Thermal Information | | |
| Storage temperature, T _{stg} | | -65 | 150 | °C |

- (1) Stresses beyond those listed under *Absolute Maximum Ratings* may cause permanent damage to the device. These are stress ratings only, which do not imply functional operation of the device at these or any other conditions beyond those indicated under *Recommended Operating Conditions*. Exposure to absolute-maximum-rated conditions for extended periods may affect device reliability.
- (2) All voltage values, except differential voltages, are with respect to network ground terminal.
- (3) Tested in accordance with JEDEC Standard 22, Test Method A114-B

6.2 ESD Ratings

| | | VALUE | UNIT |
|--|--|-------|------|
| V _(ESD) Electrostatic discharge | Human-body model (HBM), per ANSI/ESDA/JEDEC JS-001 ⁽¹⁾ | ±2000 | V |
| | Charged-device model (CDM), per JEDEC specification JESD22-C101 ⁽²⁾ | ±500 | |

- (1) JEDEC document JEP155 states that 500-V HBM allows safe manufacturing with a standard ESD control process.
- (2) JEDEC document JEP157 states that 250-V CDM allows safe manufacturing with a standard ESD control process.

6.3 Recommended Operating Conditions

over operating free-air temperature range (unless otherwise noted)

| | | MIN | NOM | MAX | UNIT |
|------------------------------------|---|-----------|------|-----------|------|
| V _{CC} | Supply Voltage Nominal Value 3.3 V | 3.135 | 3.3 | 3.465 | V |
| V _{DD} | Supply Voltage Nominal Value 1.2 V | 1.1 | 1.2 | 1.27 | V |
| T _{STG} | Storage temperature | -65 | | 150 | °C |
| T _{CASE} | Case temperature | | | 92.7 | °C |
| T _A | Operating free-air temperature (TMDS171) | 0 | | 85 | °C |
| | Operating free-air temperature (TMDS1711) | -40 | | 85 | °C |
| MAIN LINK DIFFERENTIAL PINS | | | | | |
| V _{ID(PP)} | Peak-to-peak input differential voltage | 75 | | 1560 | mVpp |
| V _{IC} | Input Common Mode Voltage | VCC - 0.4 | | VCC + 0.1 | V |
| d _R | Data rate | 0.25 | | 3.4 | Gbps |
| R _(VSADJ) | TMDS compliant swing voltage bias resistor 1% | | 7.06 | | KΩ |
| CONTROL PINS | | | | | |
| V _{I(DC)} | DC Input Voltage | -0.3 | | 3.6 | V |
| V _{IL} ⁽¹⁾ | Low-level input voltage OE | | | 0.8 | V |
| | Low-level input voltage at PRE_SEL, EQ_SEL/A0, TX_TERM_CTL, SWAP/POL pins only ⁽¹⁾ | | | 0.3 | V |
| V _{IM} ⁽¹⁾ | Mid-Level input voltage at PRE_SEL, EQ_SEL/A0, TX_TERM_CTL, SWAP/POL pins only ⁽¹⁾ | 1 | 1.2 | 1.4 | V |
| V _{IH} ⁽¹⁾ | High-level input voltage at PRE_SEL, EQ_SEL/A0, TX_TERM_CTL, SWAP/POL, OE ⁽²⁾ pins only ⁽¹⁾ | 2.6 | | | V |
| V _{OL} | Low-level output voltage | | | 0.4 | V |
| V _{OH} | High-level output voltage | 2.4 | | | V |
| I _{IH} | High level input current | 30 | | 30 | μA |
| I _{IL} | Low level input current | -25 | | 25 | μA |
| I _{OS} | Short circuit output current | -50 | | 50 | mA |
| I _{OZ} | High impedance output current | | | 10 | μA |
| R _(OEPU) | Pull up resistance on OE pin | 150 | | 250 | KΩ |

- (1) These values are based upon a microcontroller driving the control pins. The pull up/down/floating resistor configuration will set control pins properly which will have a different value than shown due to internal biasing.
- (2) This value is based upon a microcontroller driving the OE pin. A passive reset circuit using an external capacitor and the internal pullup resistor will set OE pin properly, but may have a different value than shown due to internal biasing.

6.4 Thermal Information

| THERMAL METRIC ⁽¹⁾ | | RGZ (QFN) | UNIT |
|-------------------------------|--|-----------|------|
| | | 48 PINS | |
| R _{θJA} | Junction-to-ambient thermal resistance | 31.1 | °C/W |
| R _{θJC(top)} | Junction-to-case (top) thermal resistance | 18.2 | |
| R _{θJB} | Junction-to-board thermal resistance | 8.1 | |
| ψ _{JT} | Junction-to-top characterization parameter | 0.4 | |
| ψ _{JB} | Junction-to-board characterization parameter | 8.1 | |
| R _{θJC(bot)} | Junction-to-case (bottom) thermal resistance | 3.2 | |

- (1) For more information about traditional and new thermal metrics, see the [Semiconductor and IC Package Thermal Metrics](#) application report.

6.5 Electrical Characteristics

The Maximum rating is simulated at 3.465 V V_{CC} and 1.27 V V_{DD} and at 85°C temperature. The Typical rating is simulated at 3.3 V_{CC} and 1.2 V V_{DD} and at 27°C temperature (unless otherwise noted)

| PARAMETER | | TEST CONDITIONS | MIN | TYP | MAX | UNIT |
|----------------------------------|--|--|--------------------------|-----|-------------------------|----------|
| Power Supply | | | | | | |
| $P_{(D1)}$ ⁽¹⁾⁽²⁾ | Device power Dissipation (Retimer Operation) | OE = H, $V_{CC} = 3.3\text{ V} / 3.465\text{ V}$, $V_{DD} = 1.2\text{ V} / 1.27\text{ V}$ IN_Dx: VID_PP = 1200 mV, I2C_EN/PIN = L, PRE_SEL = H, EQ_CTL = H, SDA_CTL/CLK_CTL = 0 V | | 675 | 875 | mW |
| $P_{(D2)}$ ⁽¹⁾⁽²⁾ | Device power Dissipation (Redriver Operation) | 3.4 Gbps TMDS pattern, $V_I = 3.3\text{ V}$; VSADJ = 7.06 k Ω | | 400 | 600 | mW |
| $P_{(SD1)}$ ⁽¹⁾⁽²⁾⁽³⁾ | Device power in Standby | OE = H, $V_{CC} = 3.3\text{ V} / 3.465\text{ V}$ $V_{DD} = 1.2\text{ V} / 1.27\text{ V}$, HPD = H, No Valid input Signal | | 50 | 100 | mW |
| $P_{(SD2)}$ ⁽¹⁾⁽²⁾⁽³⁾ | Device power in PowerDown | OE = L, $V_{CC} = 3.3\text{ V} / 3.465\text{ V}$ $V_{DD} = 1.2\text{ V} / 1.27\text{ V}$ | | 10 | 30 | mW |
| I_{CC1} ⁽¹⁾⁽²⁾ | V_{CC} Supply current (TMDS 3.4 Gbps Retimer Mode) | OE = H, $V_{CC} = 3.3\text{ V} / 3.465\text{ V}$ $V_{DD} = 1.2\text{ V} / 1.27\text{ V}$ | | 80 | 140 | mA |
| I_{DD1} ⁽¹⁾⁽²⁾ | V_{DD} Supply current (TMDS 3.4 Gbps Retimer Mode) | IN_Dx: VID_PP = 1200 mV, 3.4 Gbps TMDS pattern I2C_EN/PIN = L, PRE_SEL = H, EQ_CTL = H, SDA_CTL/CLK_CTL = 0 V, SLEW_CTL = H | | 286 | 325 | mA |
| I_{CC2} ⁽¹⁾⁽²⁾ | V_{CC} Supply current (TMDS 3.4 Gbps Redriver Mode) | OE = H, $V_{CC} = 3.3\text{ V} / 3.465\text{ V}$ $V_{DD} = 1.2\text{ V} / 1.27\text{ V}$ | | 51 | | mA |
| I_{DD2} ⁽¹⁾⁽²⁾ | V_{DD} Supply current (TMDS 3.4 Gbps Redriver Mode) | IN_Dx: VID_PP = 1200 mV, 3.4 Gbps TMDS pattern I2C_EN/PIN = L, PRE_SEL = H, EQ_CTL = H, SDA_CTL/CLK_CTL = 0V, SLEW_CTL = H | | 188 | | mA |
| $I_{(SD1)}$ ⁽³⁾ | Standby current | OE = H, $V_{CC} = 3.3\text{ V} / 3.465\text{ V}$ $V_{DD} = 1.2\text{ V} / 1.27\text{ V}$ HPD = H: No valid signal on IN_CLK | 3.3V Rail ⁽¹⁾ | 6 | 15 | mA |
| | | | 1.2V Rail | 40 | 50 | |
| $I_{(SD2)}$ ⁽³⁾ | PowerDown current | OE = L, $V_{CC} = 3.3\text{ V} / 3.465\text{ V}$ $V_{DD} = 1.2\text{ V} / 1.27\text{ V}$ | 3.3V Rail ⁽¹⁾ | 2 | 5 | mA |
| | | | 1.2V Rail | 3.5 | 15 | |
| TMDS Differential Input | | | | | | |
| $D_{(R_RX_DATA)}$ | TMDS data lanes data rate | | 0.25 | | 3.4 | Gbps |
| $D_{(R_RX_CLK)}$ | TMDS clock lanes clock rate | | 25 | | 340 | MHz |
| t_{RX_DUTY} | Input clock duty circle | | 40% | 50% | 60% | |
| t_{CLK_JIT} | Input clock jitter tolerance | | | | 0.3 | Tbit |
| t_{DATA_JIT} | Input data jitter tolerance | Test the TTP2 See Figure 11 | | | 150 | ps |
| t_{RX_INTRA} | Input intra-pair skew tolerance | Test at TTP2 when DR = 1.6 Gbps See Figure 11 | 112 | | | ps |
| t_{RX_INTER} | Input inter-pair skew tolerance | | | | 1.8 | ns |
| $E_{QH(D)}$ | Fixed EQ gain for data lane IN_D(0,1,2)n/p | EQ_SEL/A0=H; Fixed EQ gain, test at 3.4 Gbps | | 14 | | dB |
| $E_{QL(D)}$ | Fixed EQ gain for data lane IN_D(0,1,2)n/p | EQ_SEL/A0=L; Fixed EQ gain, test at 3.4 Gbps | | 7.5 | | |
| $E_{OZ(D)}$ | Adaptive EQ gain for data lane IN_D(0,1,2)n/p | EQ_SEL/A0=NC; adaptive EQ | 2 | | 14 | |
| $E_{Q(C)}$ | EQ gain for clock lane IN_CLKn/p | EQ_SEL/A0=H,LNC | | 0 | | |
| $R_{(INT)}$ | Input differential termination impedance | | 90 | 100 | 115 | Ω |
| TMDS Differential Output | | | | | | |
| V_{OH} | Single-ended high level output voltage | PRE_SEL = NC; TX_TERM_CTL = H; OE = H; DR = 750 Mbps; VSadj = 7.06 k Ω | $V_{CC} - 10\text{mV}$ | | $V_{CC} + 10\text{mV}$ | V |
| | | PRE_SEL = NC; TX_TERM_CTL = H; OE = NC; DR = 2.97 Gbps; VSadj = 7.06 k Ω | $V_{CC} - 200\text{mV}$ | | $V_{CC} + 10\text{mV}$ | |
| V_{OL} | Single-ended low level output voltage No Pre-emphasis, Load is 50 Ω pull ups to 3.135 V and 3.465 V | PRE_SEL = NC; TX_TERM_CTL = H; OE = H; DR = 750 Mbps; VSadj = 7.06 k Ω | $V_{CC} - 600\text{mV}$ | | $V_{CC} - 400\text{mV}$ | |
| | | PRE_SEL = NC; TX_TERM_CTL = H; OE = NC; DR = 2.97 Gbps; VSadj = 7.06 k Ω | $V_{CC} - 700\text{mV}$ | | $V_{CC} - 400\text{mV}$ | |

(1) I_{CC} is a direct result of the source design as the TMDS171 integrated receive termination resistor accounts for 85 mA to 100 mA.

(2) I_{DD} is impacted by ARC usage. Connecting a 500 k Ω resistor to GND at SPDIF reduces the value by more than 20 mA.

(3) The measurements were made with no active source connected.

Electrical Characteristics (continued)

The Maximum rating is simulated at 3.465 V V_{CC} and 1.27 V V_{DD} and at 85°C temperature. The Typical rating is simulated at 3.3 V V_{CC} and 1.2 V V_{DD} and at 27°C temperature (unless otherwise noted)

| PARAMETER | | TEST CONDITIONS | MIN | TYP | MAX | UNIT |
|----------------------|---|--|---------------------|-----|---------------------|------------|
| $V_{(SWING_DA)}$ | Single-ended output voltage swing on data lane | PRE_SEL = NC; TX_TERM_CTL = H/NC; OE = NC; DR = \leq 3.4 Gbps; VSadj = 7.06 k Ω | 400 | 500 | 600 | mV |
| $V_{(SWING_CLK)}$ | Single-ended output voltage swing on clock lane | PRE_SEL = NC; TX_TERM_CTL = H/NC; OE = NC; DR = \leq 3.4 Gbps; VSadj = 7.06 k Ω | 400 | 500 | 600 | |
| $\Delta V_{(SWING)}$ | Change in single-end output voltage swing per 100 Ω ΔV_{Sadj} | | | 20 | | |
| $\Delta V_{OCM(SS)}$ | Change in steady state output common mode voltage between logic levels | | -5 | | 5 | |
| $V_{OD(PP)}$ | Initial output differential voltage before steady state when pre-emphasis or de-emphasis is implemented | VSadj = 7.06 k Ω ; PRE_SEL = NC, See Figure 8 | 800 | | 1200 | |
| $V_{OD(SS)}$ | Steady state output differential voltage | VSadj = 7.06 k Ω ; PRE_SEL = L, See Figure 9 | 600 | | 1075 | |
| I_{OS} | Short circuit current limit | Main link output shorted to GND | | | 50 | mA |
| I_{LEAK} | Failsafe condition leakage current | $V_{CC} = 0$ V; $V_{DD} = 0$ V; TMDS Outputs pulled to 3.3V through 50 Ω resistor | | | 45 | μ A |
| $R_{(TERM)}$ | Source Termination resistance | | 150 | | 300 | Ω |
| DDC and I2C | | | | | | |
| V_{I-DC} | SCL/SDA_SNK, SCL/SDA_SRC DC input voltage | | -0.3 | | 5.5 | V |
| | SCL/SDA_CTL, DC input voltage | | -0.3 | | 3.6 | V |
| V_{IL} | SCL/SDA_SNK, SCL/SDA_SRC Low level input voltage | | | | $0.3 \times V_{CC}$ | V |
| | SCL/SDA_CTL Low level input voltage | | | | $0.3 \times V_{CC}$ | V |
| V_{IH} | SCL/SDA_SNK, SCL/SDA_SRC high level input voltage | | 3 | | | V |
| | SCL/SDA_CTL high level input voltage | | $0.7 \times V_{CC}$ | | | V |
| V_{OL} | SCL/SDA_CTL, SCL/SDA_SRC low level output voltage | $I_O = 3$ mA and $V_{CC} > 2$ V | | | 0.4 | V |
| | | $I_O = 3$ mA and $V_{CC} < 2$ V | | | $0.2 \times V_{CC}$ | V |
| f_{SCL} | SCL clock frequency fast I2C mode for local I2C control | | | | 400 | kHz |
| C_{bus} | Total capacitive load for each bus line (DDC and local I2C pins) | | | | 400 | pF |
| HPD | | | | | | |
| V_{IH} | High-level input voltage | HPD_SNK | 2.1 | | | V |
| V_{IL} | Low-level input voltage | HPD_SNK | | | 0.8 | |
| V_{OH} | High-level output voltage | $I_{OH} = -500$ μ A; HPD_SRC | 2.4 | | 3.6 | |
| V_{OL} | Low-level output voltage | $I_{OL} = -500$ μ A; HPD_SRC | 0 | | 0.1 | |
| I_{LEAK} | Failsafe condition leakage current | $V_{CC} = 0$ V; $V_{DD} = 0$ V; HPD_SNK = 5 V | | | 40 | μ A |
| $I_{H(HPD)}$ | High level input current | Device powered; $V_{IH} = 5$ V; $I_{H(HPD)}$ includes $R_{pd(HPD)}$ resistor current | | | 40 | |
| | | Device powered; $V_{IL} = 0.8$ V; $I_{H(HPD)}$ includes $R_{pd(HPD)}$ resistor current | | | 30 | |
| $R_{pd(HPD)}$ | HPD input termination to GND; | $V_{CC} < 0$ V | 150 | 190 | 220 | k Ω |
| SPDIF and ARC | | | | | | |
| $V_{(EL)}$ | Operating DC voltage for single mode ARC output | Test at ARC_OUT, see Figure 19 | 0 | | 5 | V |

Electrical Characteristics (continued)

The Maximum rating is simulated at 3.465 V V_{CC} and 1.27 V V_{DD} and at 85°C temperature. The Typical rating is simulated at 3.3 V V_{CC} and 1.2 V V_{DD} and at 27°C temperature (unless otherwise noted)

| PARAMETER | | TEST CONDITIONS | MIN | TYP | MAX | UNIT |
|-------------------|--|---|-------|------------|--------|----------|
| $V_{IN(DC)}$ | Operating DC voltage for SPDIF input | | | | 0.05 | V |
| $V_{(SP_SW)}$ | Signal amplitude of SPDIF input | | 0.2 | 0.5 | 0.6 | V |
| $V_{(EISWING)}$ | Signal amplitude on the ARC output | Test at ARC_OUT, 75 Ω external termination resistor, see Figure 19 | 0.4 | 0.5 | 0.6 | V |
| $CLK_{(ARC)}$ | Signal frequency on ARC | Test at ARC_OUT, see Figure 19 | 3.687 | 5.645±0.1% | 13.517 | MHz |
| Duty Cycle | Output Clock Duty cycle | | 45% | 50% | 55% | |
| Data Rate | SPDIF Input DR | | 7.373 | 11.29 | 27.034 | Mbps |
| t_{EDGE} | The rise/fall time for ARC output | From 10% to 90% voltage level, see Figure 19 | | | 0.4 | UI |
| $R_{(IN_SPDIF)}$ | The Input Termination resistance for SPDIF | | | 75 | | Ω |
| $R_{(EST)}$ | Single mode Output Termination resistance | 0.1 MHz to 128 times the maximum frame rate | 36 | 55 | 75 | Ω |

6.6 Switching Characteristics

The Maximum rating is simulated at 3.465 V V_{CC} and 1.27 V V_{DD} and at 85°C temperature. The Typical rating is simulated at 3.3 V V_{CC} and 1.2 V V_{DD} and at 27°C temperature (unless otherwise noted)

| PARAMETER | | TEST CONDITIONS | MIN | TYP | MAX | UNIT |
|---------------------------|---|---|------|------|------|---------|
| TMDS Redriver Mode | | | | | | |
| D_R | Data rate (Redriver mode) | | 250 | | 3400 | Mbps |
| t_{PLH} | Propagation delay time (low to high) | | 250 | | 600 | ps |
| t_{PHL} | Propagation delay time (high to low) | | 250 | | 800 | |
| t_{T1} | Transition time (rise and fall time); measured at 20% and 80% levels for Data Lanes. | TX_TERM_CTL=L; PRE_SEL=NC; Data Rate 3.4 Gbps; Clock 340 MHz | 75 | | | |
| $t_{SK1(T)}$ | Intra-pair output skew | TX_TERM_CTL=NC; PRE_SEL=NC; | | | 40 | |
| $t_{SK2(T)}$ | Inter-pair output skew | TX_TERM_CTL=NC; PRE_SEL=NC; | | | 100 | |
| t_{JTD1} | Total output data jitter | DR = 750 Mbps, PRE_SEL = NC, EQ_SEL/A0 = NC. See Figure 5 at TTP3 | | | 0.2 | Tbit |
| t_{JTC1} | Total output clock jitter | | | | 0.25 | |
| TMDS Retimer Mode | | | | | | |
| D_R | Data rate (retimer mod) | | 1.2 | | 3.4 | Gbps |
| $d_{(XVR)}$ | Automatic redriver to Retimer Cross-Over | Measured with input signal applied from 0 to 200 mV _{PP} | 0.75 | 1.00 | 1.25 | Gbps |
| $f_{(CROSSOVER)}$ | Crossover frequency hysteresis | | | 250 | | MHz |
| $PLL_{(BW)}$ | Data Retimer PLL bandwidth | Default loop bandwidth setting | | 0.4 | 1 | MHz |
| t_{ACQ} | Input Clock Frequency Detection and Retimer Acquisition Time | | | 180 | | μ s |
| I_{JT1} | Input Clock Jitter Tolerance | Tested when data rate > 1.0 Gbps | | | 0.3 | Tbit |
| t_{T1} | Transition time (rise and fall time); measured at 20% and 80% levels for Data Lanes. TMDS | | 75 | | | ps |
| t_{DCD} | OUT_CLK \pm duty cycle | | 40% | 50% | 60% | |
| t_{SK_INTER} | Inter-pair output skew | Default setting for internal inter-pair skew adjust, PRE_SEL = NC; TX_TERM_CTL = NC, DR \leq 3.4 Gbps; See Figure 6 | | | 0.2 | Tch |

Switching Characteristics (continued)

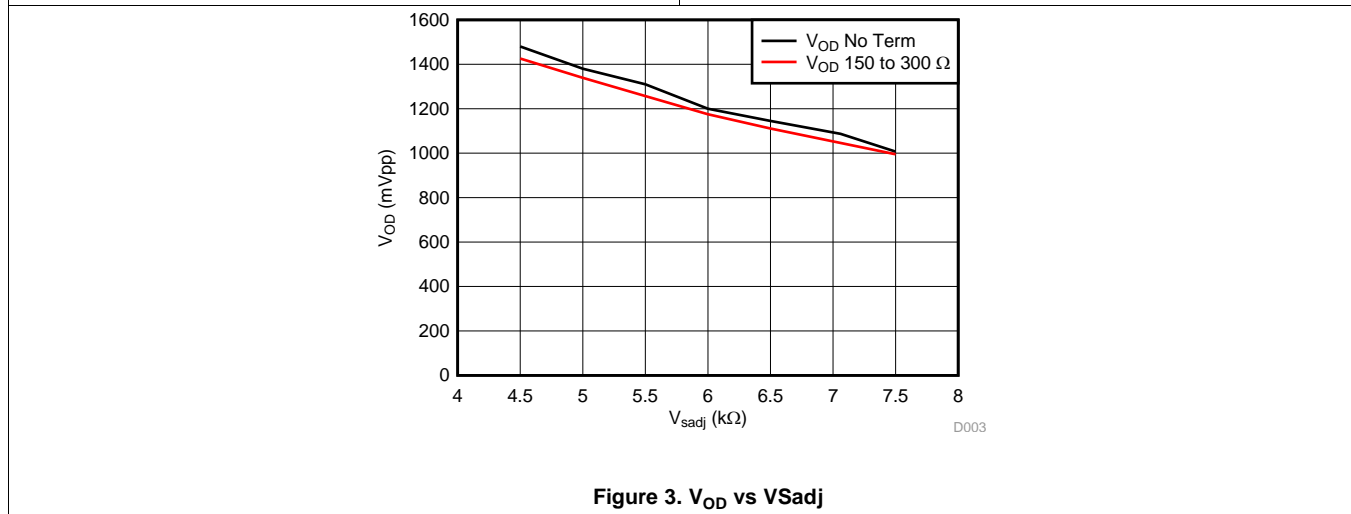
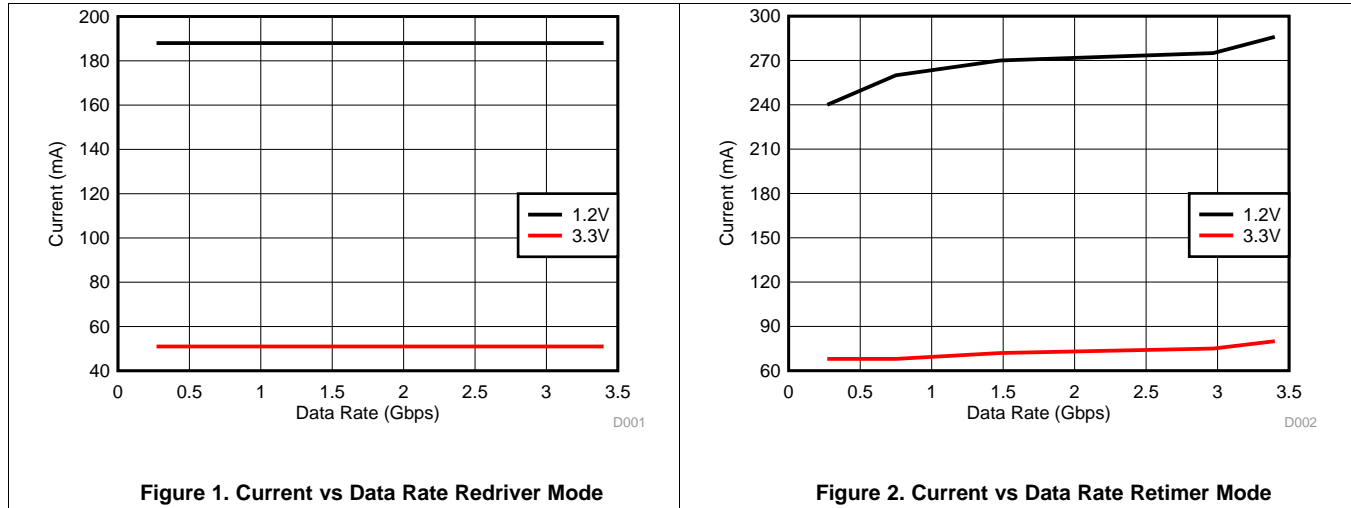
The Maximum rating is simulated at 3.465 V V_{CC} and 1.27 V V_{DD} and at 85°C temperature. The Typical rating is simulated at 3.3 V V_{CC} and 1.2 V V_{DD} and at 27°C temperature (unless otherwise noted)

| PARAMETER | TEST CONDITIONS | MIN | TYP | MAX | UNIT |
|--|--|-----|-----|------|------|
| t_{SK_INTRA} Intra-pair output skew | Default setting for internal intra-pair skew adjust, PRE_SEL = NC; TX_TERM_CTL = NC, DR ≤ 3.4 Gbps; See Figure 6 | | | 0.15 | Tbit |
| t_{JITC2} Total output clock jitter | CLK Rate ≤ 340 MHz | | | 0.25 | Tbit |
| t_{JITD2} Total output data jitter | DR ≤ 3.4 Gbps; See Figure 11 | | | 0.2 | Tbit |
| HPD | | | | | |
| $t_{PD(HPD)}$ Propagation delay from HPD_SNK to HPD_SRC; rising edge and falling edge ⁽¹⁾ | see Figure 13 ; not valid during switching time | | 40 | 120 | ns |
| $t_{T(HPD)}$ HPD logical disconnected timeout | see Figure 14 | | 2 | | ms |
| DDC and I2C | | | | | |
| t_r Rise time of both SDA and SCL signals | $V_{CC} = 3.3\text{ V}$ | | | 300 | ns |
| t_f Fall time of both SDA and SCL signals | | | | 300 | |
| t_{HIGH} Pulse duration, SCL high | | 0.6 | | | μs |
| t_{LOW} Pulse duration, SCL low | | 1.3 | | | μs |
| t_{SU1} Setup time, SDA to SCL | | 100 | | | |
| t_{ST_STA} Setup time, SCL to start condition | | 0.6 | | | |
| t_{HD_STA} Hold time, start condition to SCL | | 0.6 | | | |
| t_{ST_STO} Setup time, SCL to stop condition | | 0.6 | | | μs |
| $t_{(BUF)}$ Bus free time between stop and start condition | | 1.3 | | | |
| t_{PLH1} Propagation delay time, low-to-high-level output | Source to Sink: 100 kbps pattern; $C_{b(Sink)} = 400\text{ pF}^{(2)}$; see Figure 17 | | 360 | | ns |
| t_{PHL1} Propagation delay time, high-to-low-level output | | | 230 | | |
| t_{PLH2} Propagation delay time, low-to-high-level output | Sink to Source: 100 kbps pattern; $C_{b(Source)} = 100\text{ pF}^{(2)}$; see Figure 18 | | 250 | | |
| t_{PHL2} Propagation delay time, high-to-low-level output | | | 200 | | |

(1) The Maximum rating is simulated at 3.465 V V_{CC} and 1.27 V V_{DD}

(2) C_b = total capacitance of one bus line in pF.

6.7 Typical Characteristics



7 Parameter Measurement Information

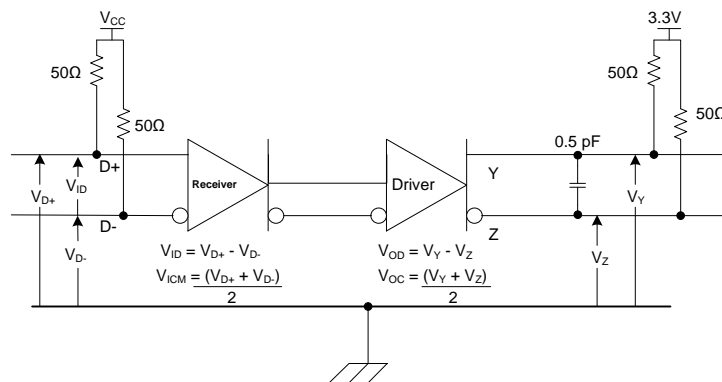


Figure 4. TMD5 Main Link Test Circuit

Parameter Measurement Information (continued)

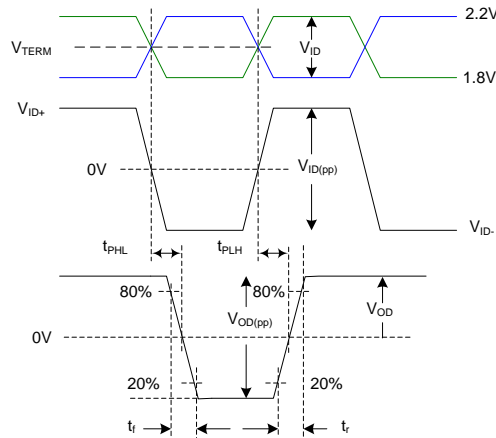


Figure 5. Input/Output Timing Measurements

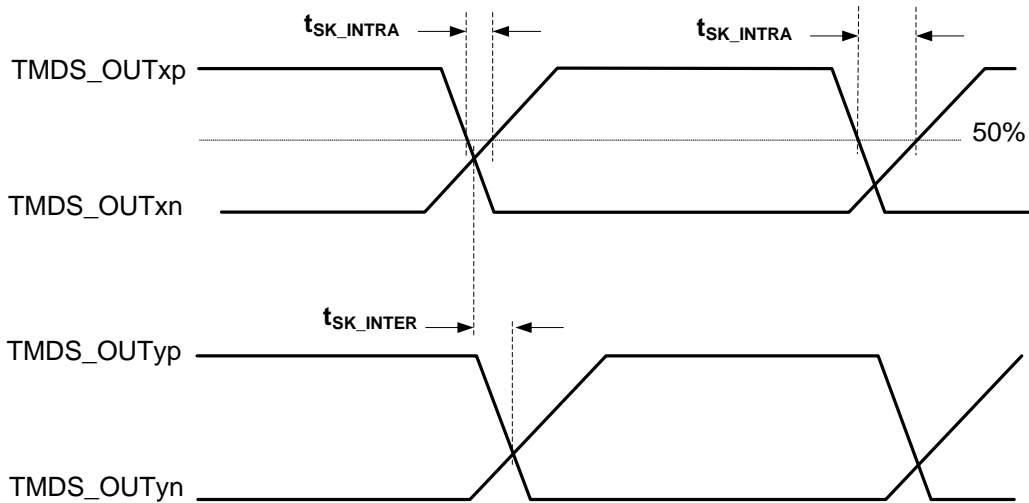


Figure 6. TMDS Output Skew Measurements

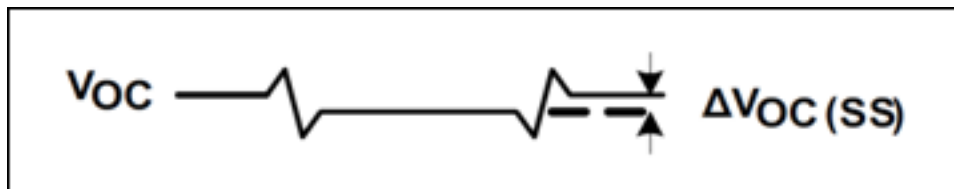


Figure 7. HDMI/DVI TMDS Output Common Mode Measurement

Parameter Measurement Information (continued)

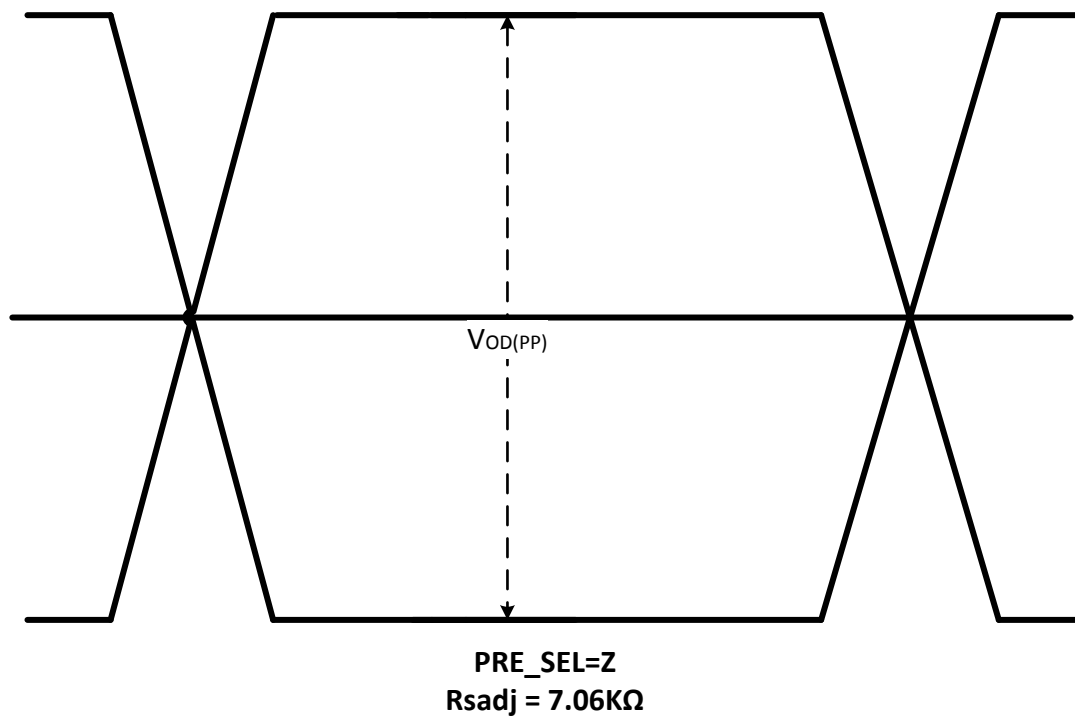


Figure 8. Output Differential Waveform

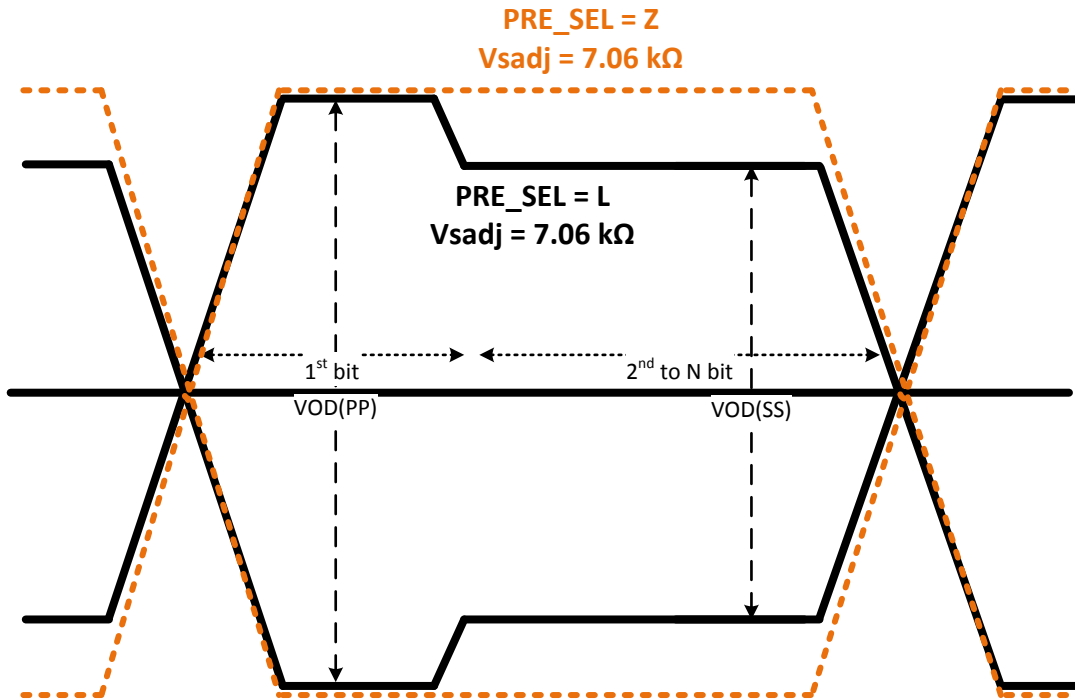
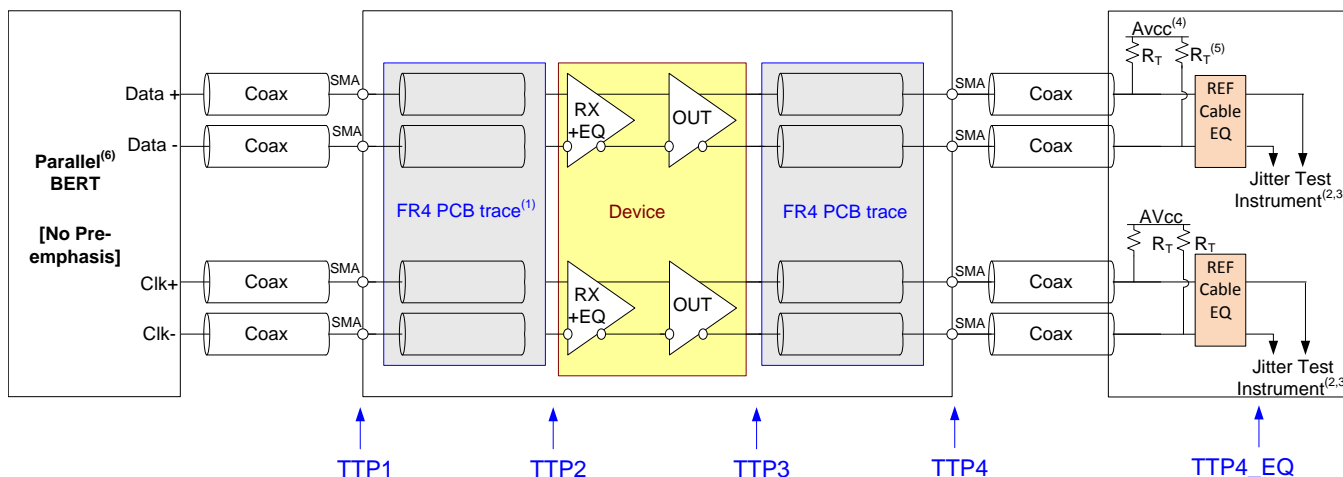


Figure 9. Output De-emphasis Waveform

Parameter Measurement Information (continued)



- (1) The FR4 trace between TTP1 and TTP2 is designed to emulate 1-8" of FR4, connector and another 1-8" of FR4. Trace width – 4 mils. 100 Ω differential impedance.
- (2) All Jitter is measured at a BER of 10⁻⁹
- (3) Residual jitter reflects the total jitter measured at TTP4 minus the jitter measured at TTP1
- (4) AVCC = 3.3 V
- (5) R_T = 50 Ω
- (6) The input signal from parallel Bert does not have any pre-emphasis. Refer to *Recommended Operating Conditions*.

Figure 10. Jitter Measurement Circuit

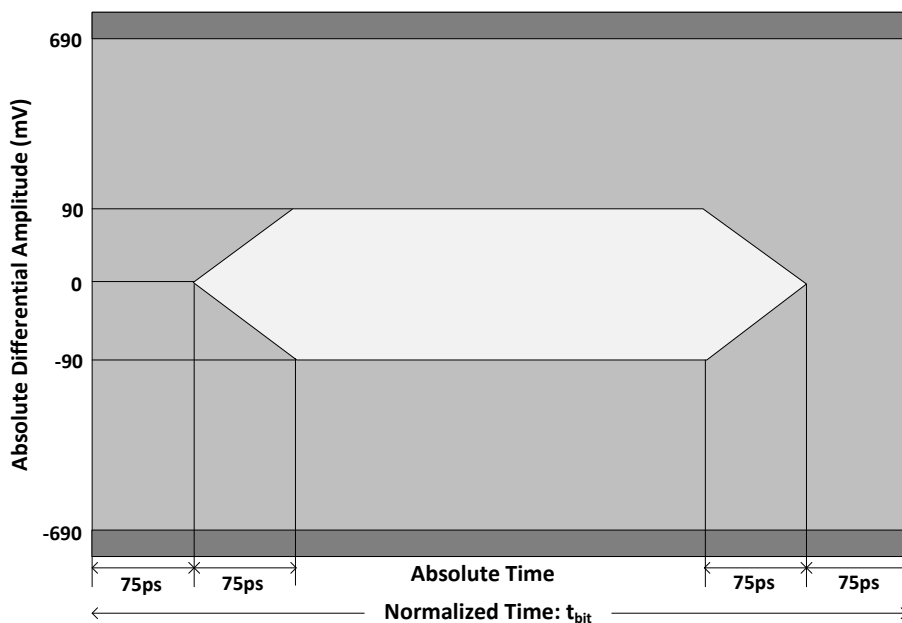


Figure 11. HDMI Output Jitter Measurement

Parameter Measurement Information (continued)

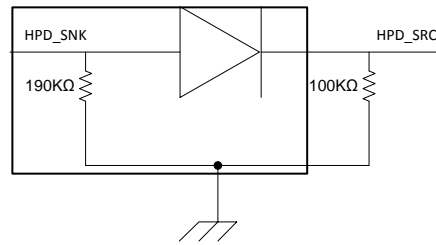


Figure 12. HPD Test Circuit

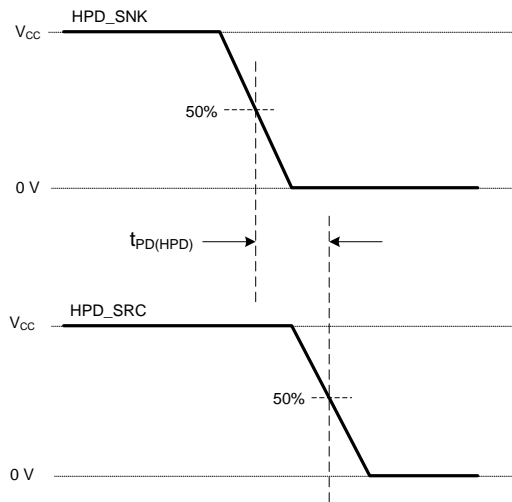


Figure 13. HPD Timing Diagram No. 1

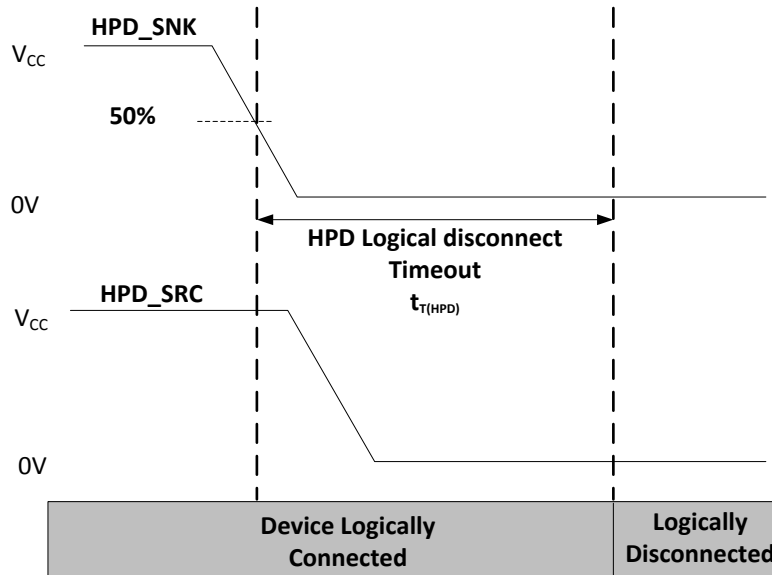


Figure 14. HPD Logic Disconnect Timeout

Parameter Measurement Information (continued)

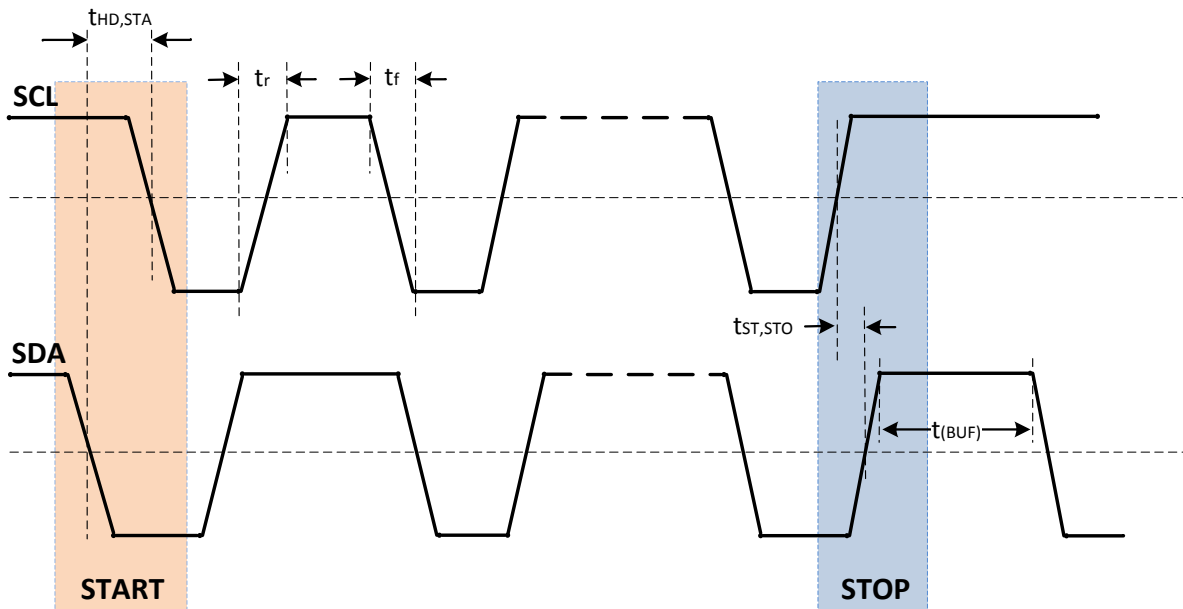


Figure 15. Start and Stop Condition Timing

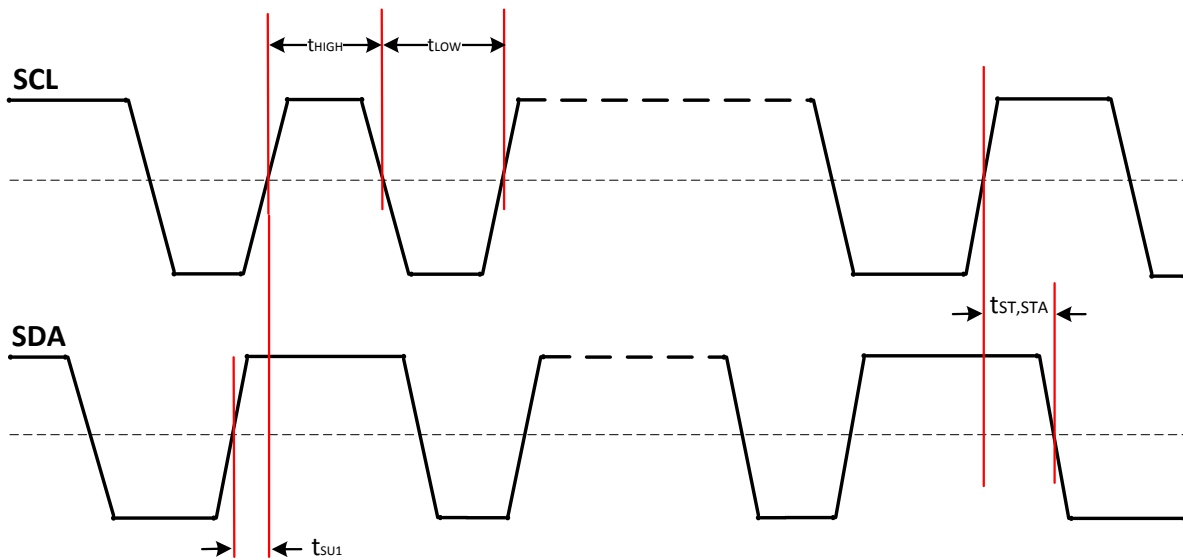
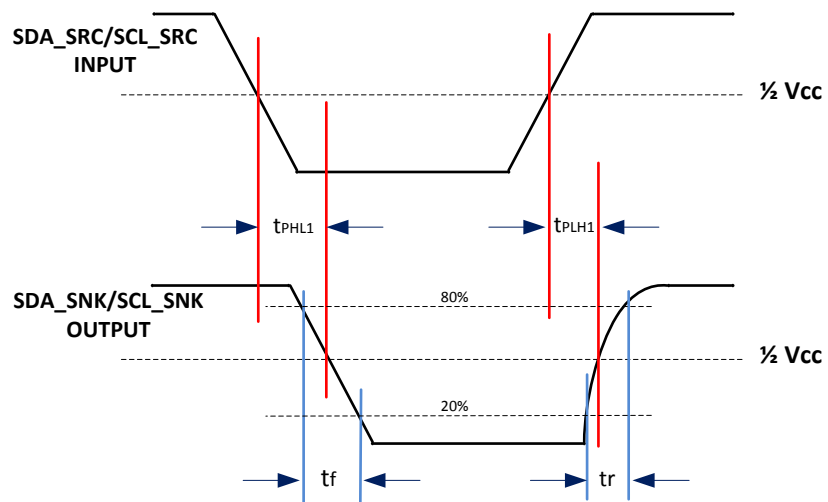
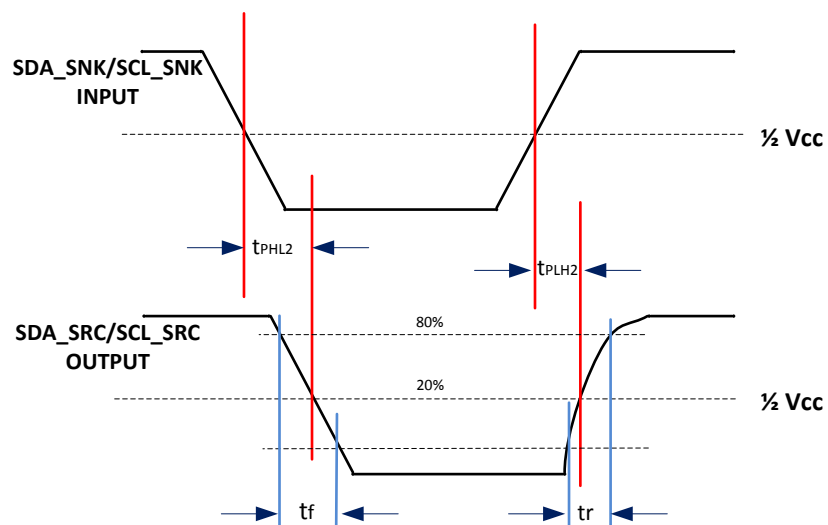


Figure 16. SCL and SDA Timing

Parameter Measurement Information (continued)

Figure 17. DDC Propagation Delay – Source to Sink

Figure 18. DDC Propagation Delay – Sink to Source

Parameter Measurement Information (continued)

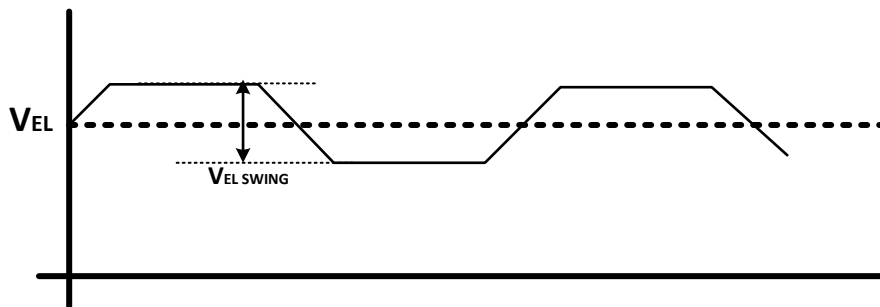
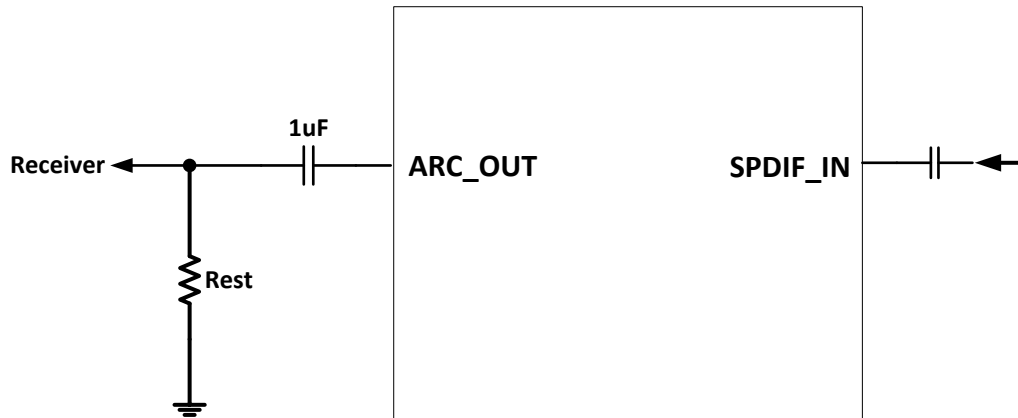


Figure 19. ARC Output

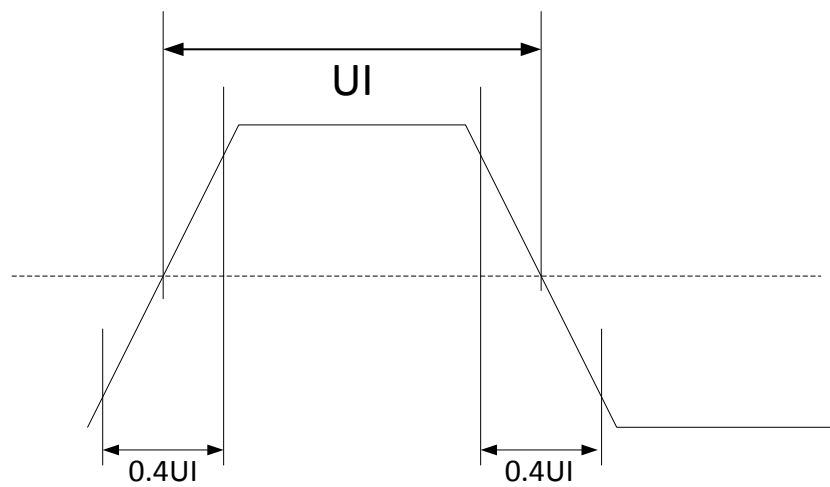


Figure 20. Rise/Fall Time of ARC

8 Detailed Description

8.1 Overview

The TMDS171 is a digital video interface (DVI) or high-definition multimedia interface (HDMI) retimer. The TMDS171 supports four TMDS channels, Audio Return Channel (SPDIF_IN/ARC_OUT), Hot Plug Detect, and a Digital Display Control (DDC) interfaces. The TMDS171 supports signaling rates up to 3.4 Gbps to allow for the highest resolutions of 4k2k30p 24 bits per pixel and up to WUXGA 12-bit color depth or 1080p with higher refresh rates. The TMDS171 can automatically configure itself as a re-driver at low data rate (< 1 Gbps) or as a re-timer above this data rate. For passing compliance and reducing system level design issues several features have been included such as TMDS output amplitude adjust using an external resistor on the VSADJ pin and source termination selection control. Device operation and configuration can be programmed by pin strapping or I²C. Four TMDS171s can be used on one I²C bus when I2C_EN enable and device address set by A0/A1.

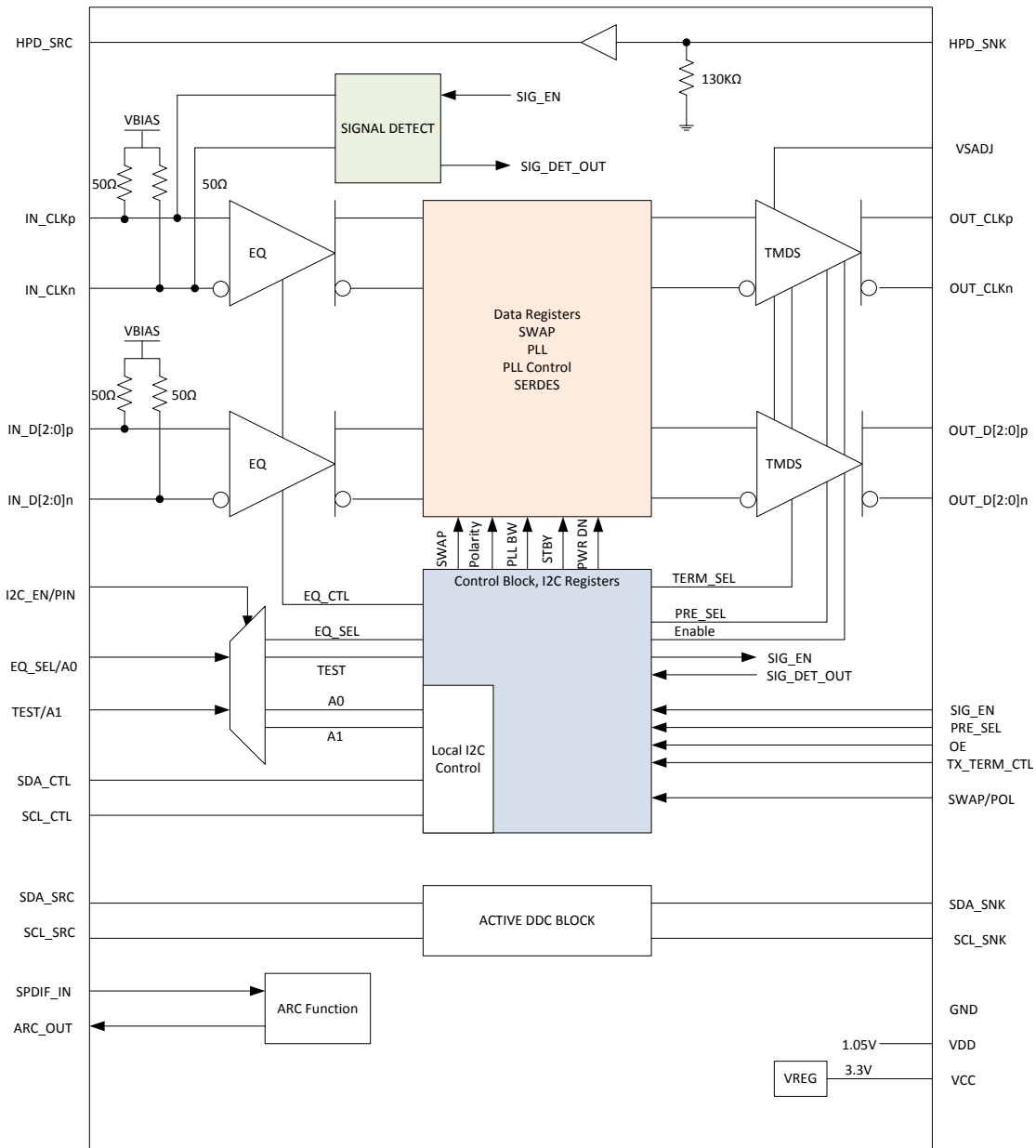
To reduce active power the TMDS171 supports dual power supply rails of 1.2 V on V_{DD} and 3.3 V on V_{CC}. The TMDS171 supports several methods of power management. It can enter power down mode using three methods; (1) HPD is low; (2) Writing an 1 to register 09h[3]; or (3) de-asserting OE. If using OE, the device must be reprogrammed via I²C if it was originally programmed this way. The SIG_EN pin enables the signal detect circuit that provides an automatic power-management feature during normal operation. When no valid signal is present on the inputs the device enters Stand by mode. By disabling the detect circuit the receiver block is always on. DDC bridge supports 100 Kbps data rate default and 400 kbps adjustable by software.

TMDS171 supports both fixed EQ gain control or adaptive equalization to compensate for different lengths of input cables or board traces. The EQ gain can be software adjusted by I²C control or selection between two fixed values or adaptive equalization by pin strapping EQ_SEL pin. Implementers can use the TX_TERM_CTL pin to change the transmitter termination impedance for better output performance when working in HDMI1.4b or leave it floating. When floating the TMDS171 in conjunction with the rate detect will automatically change its output termination to be compatible with HDMI1.4b requirements.

The TMDS171 supports single ended mode audio return channel. To assist in ease of implementation the TMDS171 supports receive lane swapping and receive polarity swap. When swapping the input lanes IN_CLK and IN_D2 swap and IN_D1 and IN_D0 swap with each other. Swap works in both retimer and redriver mode. Polarity swap will swap the receive pins n and p channel polarity in each lane and is only available during retimer mode. Both lane swap and polarity swap can be implemented at the same time in retimer mode using I²C control.

Two versions of the device are offered to support extended commercial temperature range 0°C to 85°C (TMDS171) or industrial operational temperature range from -40°C to 85°C (TMDS171I).

8.2 Functional Block Diagram



Copyright © 2016, Texas Instruments Incorporated

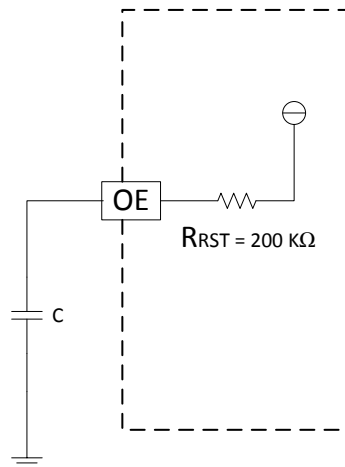
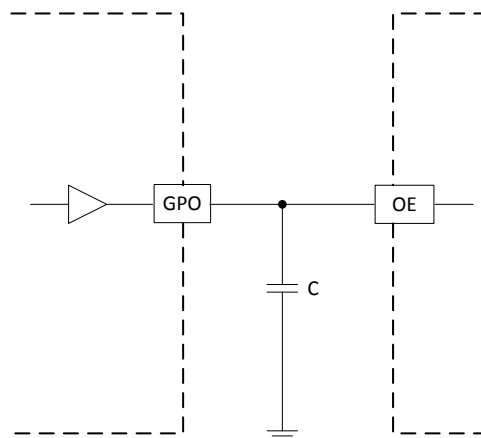
8.3 Feature Description

8.3.1 Reset Implementation

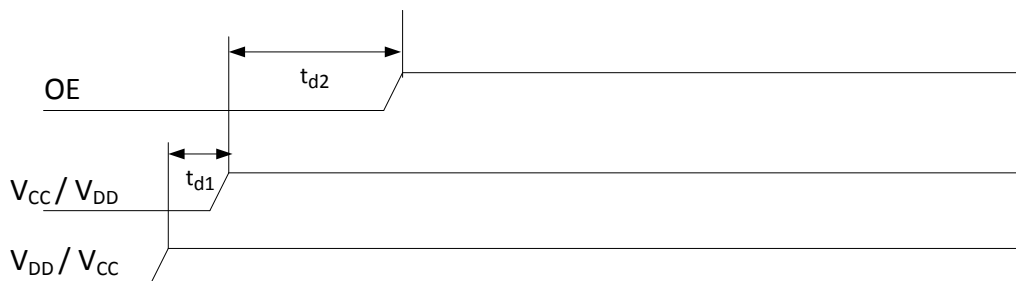
When OE is de-asserted, control signal inputs are ignored; the HDMI inputs and outputs are high impedance. It is critical to transition the OE from a low level to high after the V_{CC} supply has reached the minimum recommended operating voltage. This is achieved by a control signal to the OE input, or by an external capacitor connected between OE and GND. To insure the TMDS171 is properly reset, the OE pin must be de-asserted for at least 100 μ s before being asserted. When OE is re-asserted the TMDS171 will have to be reprogrammed if it

Feature Description (continued)

was programmed by I²C and not pin strapping. When implementing the external capacitor, the size of the external capacitor depends on the power up ramp of the V_{CC} supply, where a slower ramp-up results in a larger value external capacitor. Refer to the latest reference schematic for TMDS171; consider approximately 200 nF capacitor as a reasonable first estimate for the size of the external capacitor. Both OE implementations are shown in [Figure 21](#) and [Figure 22](#).


Figure 21. External Capacitor Controlled OE

Figure 22. OE Input from Active controller
8.3.2 Operation Timing

TMDS171 starts to operate after the OE signal is properly set after power up timing complete. See [Figure 23](#), [Figure 24](#), [Table 1](#). If OE is held low until V_{DD} and V_{CC} become stable there is no rail sequence requirement.


Figure 23. Power up Timing for TMDS171

Feature Description (continued)

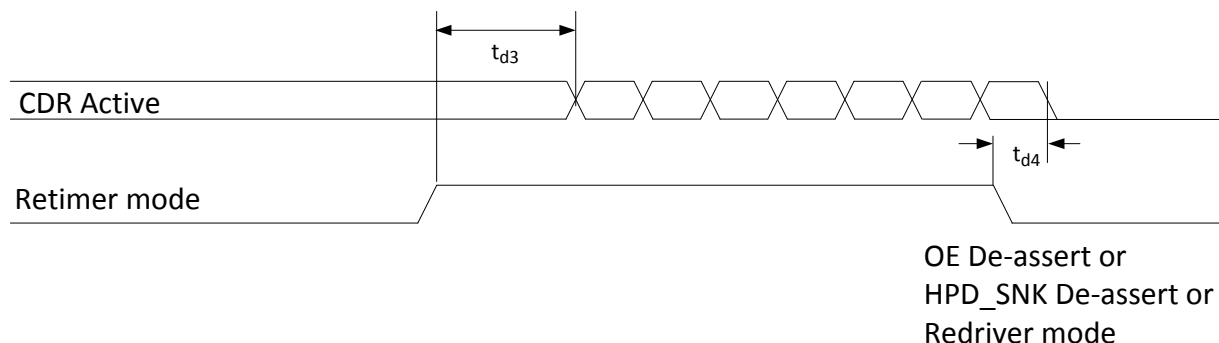


Figure 24. CDR Timing for TMDS171

Table 1. Power Up and Operation Timing Requirements

| | DESCRIPTION | MIN | TYP | MAX | UNIT |
|----------------|---|-----|-----|-----|---------|
| t_{d1} | V_{DD} Stable before V_{CC} | 0 | | 200 | μ s |
| t_{d2} | V_{DD} and V_{CC} stable before OE de-assertion | 100 | | | μ s |
| t_{d3} | CDR active operation after retimer mode initiated | | | 15 | ms |
| t_{d4} | CDR turn off time after retimer mode de-assert | | | 120 | ns |
| $V_{DD(ramp)}$ | V_{DD} supply ramp up requirements | | | 100 | ms |
| $V_{CC(ramp)}$ | V_{CC} supply ramp up requirements | | | 100 | ms |

8.3.3 Swap and Polarity Working (Retimer Mode Only)

TMDS171 incorporates swap function which can set the input lanes in swap mode. The IN_D2 will route to the OUT_CLK position by swapping with IN_CLK. The IN_D1 swaps with IN_D0. The Swap function only changes the input pins. The EQ setup follows the new mapping, see Figure 25. This function can be used with the SWAP/POL pin 1 and control the register 0x09h bit 7 for SWAP enable. The Swap function works in both redriver and retimer mode. The TMDS171 can also swap the input polarity signals. When SWAP/POL is high the n and p pins on each lane will swap. Polarity swap only works when in retimer mode. When this function is enabled and the device is in automatic cross over mode between redriver and retimer modes, care must be taken to avoid losing polarity swap. When the data rate drops to the redriver level, the polarity swap is lost.

Table 2. SWAP Pin Mapping

| Normal Op | SWAP = L or CSR 0x09h bit 7 is 1'b1 |
|------------------|-------------------------------------|
| IN_D2 → OUT_D2 | IN_D2 → OUT_CLK |
| IN_D1 → OUT_D1 | IN_D1 → OUT_D0 |
| IN_D0 → OUT_D0 | IN_D0 → OUT_D1 |
| IN_CLK → OUT_CLK | IN_CLK → OUT_D2 |

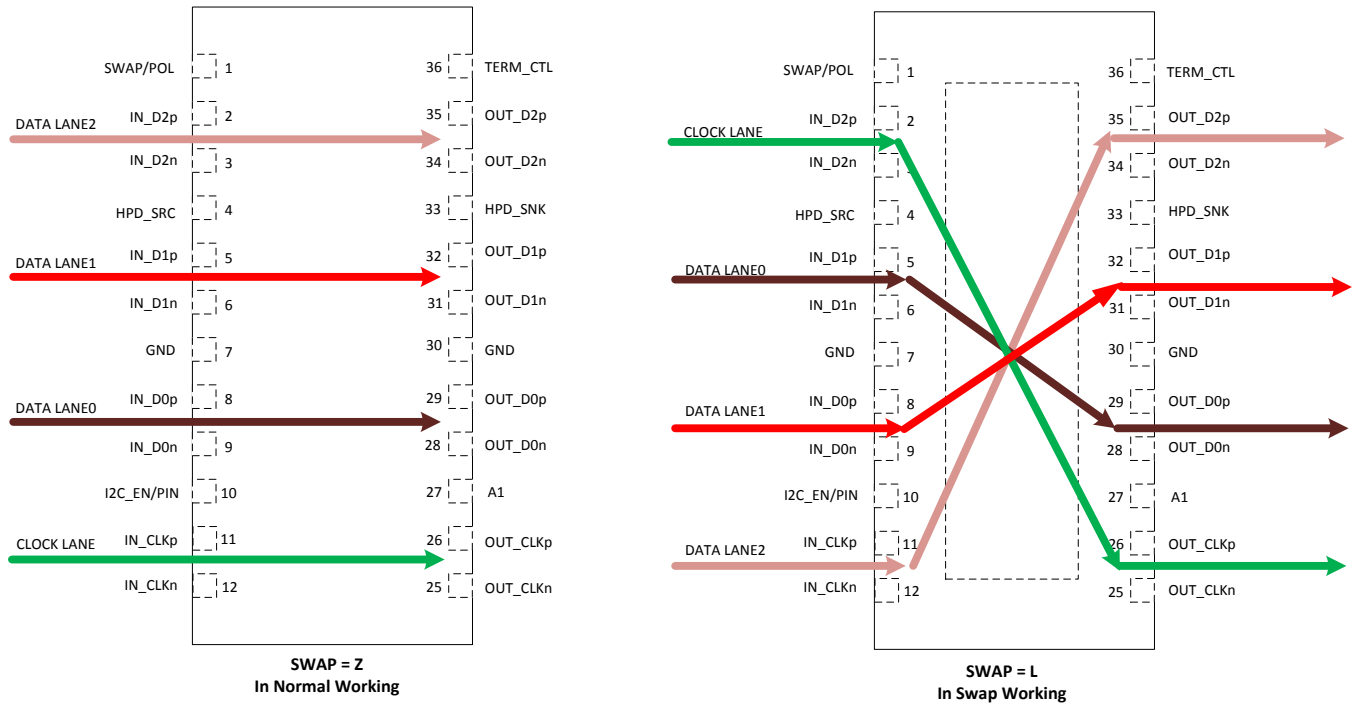


Figure 25. TMDS171 Swap Function

8.3.4 TMDS Inputs

Standard TMDS terminations are integrated on all TMDS inputs. External terminations are not required. Each input data channel contains an adaptive or fixed equalizer to compensate for Inter-Symbol Interference (ISI) due to cable, connector, and/or board trace losses. The voltage at the TMDS input pins must be limited under the absolute maximum ratings. TMDS input pins have incorporated failsafe circuits. An unused input channel can be externally biased to prevent output oscillation by connecting the N input pin to be grounded through a 1-kΩ resistor and the other pin left open. The input pins can be polarity changed through local I²C register when in retimer mode.

8.3.5 TMDS Inputs Debug Tools

There are two methods for debugging a system to make sure the inputs to the TMDS171 are valid. A TMDS error checker is implemented to provide a rough Bit Error Rate per data lane. This allows the system implementer to determine how the link between the source and TMDS171 is performing on all three data lanes. See *CSR BIT FIELD DEFINITIONS – RX PATTERN VERIFIER CONTROL/STATUS* register.

If a high error count is evident the TMDS171 has a way to view the general receiver eye quality. A tool is available that uses the I²C link to download the data that can be plotted for an eye diagram. This is available per data lane. This tool also provides a method to turn on an internal PRBS generator that will transmit a data signal on the data pins. A clock at the proper frequency is required on the IN_CLK pins to generate the expected output data rate.

8.3.6 Receiver Equalizer

The equalizer used to clean up inter-symbol interference (ISI) jitter/loss from the bandwidth-limited board traces or cables. TMDS171 supports fixed receiver equalizer and adaptive equalizer by setting the EQ_SEL/A0 pin or through I²C. When EQ_SEL/A0 is high, the EQ gain is fixed to 10 dB and when set low the EQ gain is set to 7.5 dB. TMDS171 operates in adaptive equalizer mode when EQ_SEL/A0 pin is left floating. The EQ gain will be automatically adjusted based on the data rate to compensate for trace or cable loss. Implementers can enable the various EQ settings through local I²C control.

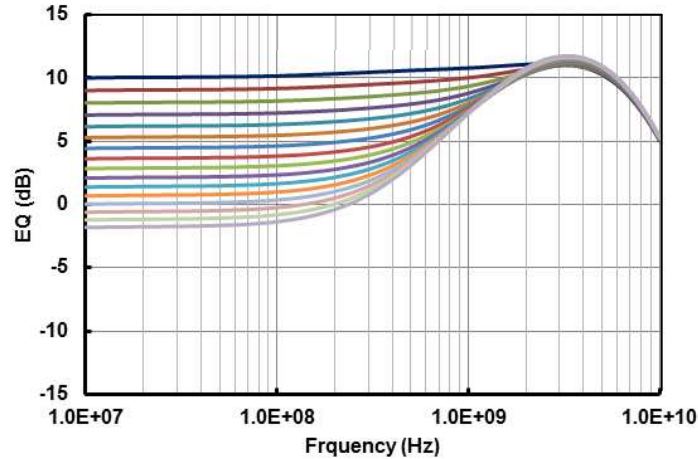


Figure 26. Adaptive EQ Gain Curve

8.3.7 Input Signal Detect Block

When SIG_EN is enabled, the TMDS looks for a valid TMDS clock signal input. The terminations on the TMDS data lines are connected and the device is fully functional when a valid signal is detected. If no valid TMDS clock signal is detected, the device enters standby mode waiting for a valid signal at the clock input. The internal CDR is shut down and all of the TMDS outputs are in high-Z status. TMDS signal detect circuit can be set as enable by SIG_EN pin or through local I²C control but is default disabled. Designers are recommended to activate this function in normal operation for power saving.

8.3.8 Audio Return Channel

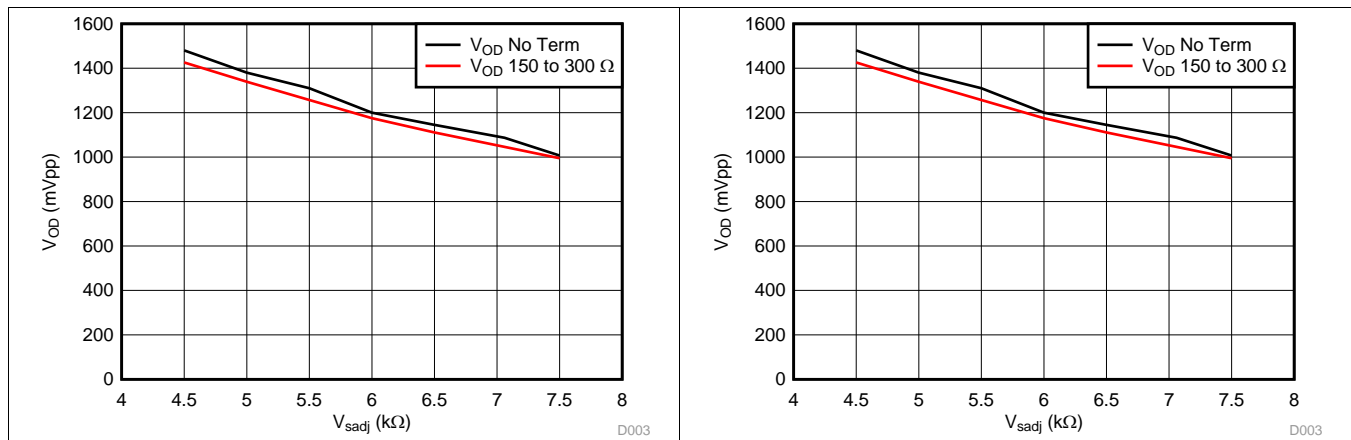
The Audio Return Channel in TMDS171 enables a TV, via a single HDMI cable, to send audio data “upstream” to an A/V receiver or surround audio controller, increasing user flexibility and eliminating the need for any separate S/PDIF audio connection. The TMDS171 supports single mode audio return channel. Implementers can send the S/PDIF signal to SPDIF_IN. The signal from ARC_OUT is sent to HDMI connectors and is passed through the general HDMI cable to audio receiver. By I²C control, customer can disable ARC_OUT by register. Enabled by default after initialization.

8.3.9 Transmitter Impedance Control

Source termination is disabled at data rates < 2 Gbps. When the data rate is between 2 Gbps and 3.4 Gbps, the output signal may be better if the termination value around 150 Ω to 300 Ω depending upon system implementation. TMDS171 supports two different source termination impedances for ease of implementation. Pin 36, TX_TERM_CTL, offers a selection option to choose the output termination impedance value.

Table 3. TX Termination Control

| Control Pin 36 | DESCRIPTION |
|-----------------|--|
| TX_TERM_CTL = H | The transmit Termination is disabled |
| TX_TERM_CTL = L | Reserved |
| TX_TERM_CTL = Z | Automatic select the impedance <ul style="list-style-type: none"> 2 Gbps > DR < 3.4 Gbps – 150 - 300 Ω differential near end termination DR < 2 Gbps – no termination |



8.3.10 TMDS Outputs

A 1% precision resistor, 7.06 kΩ, connected from VSADJ to ground is recommended to allow the differential output swing to comply with TMDS signal levels. The differential output driver provides a typical 10 mA current sink capability, which provides a typical 500 mV voltage drop across a 50 Ω termination resistor.

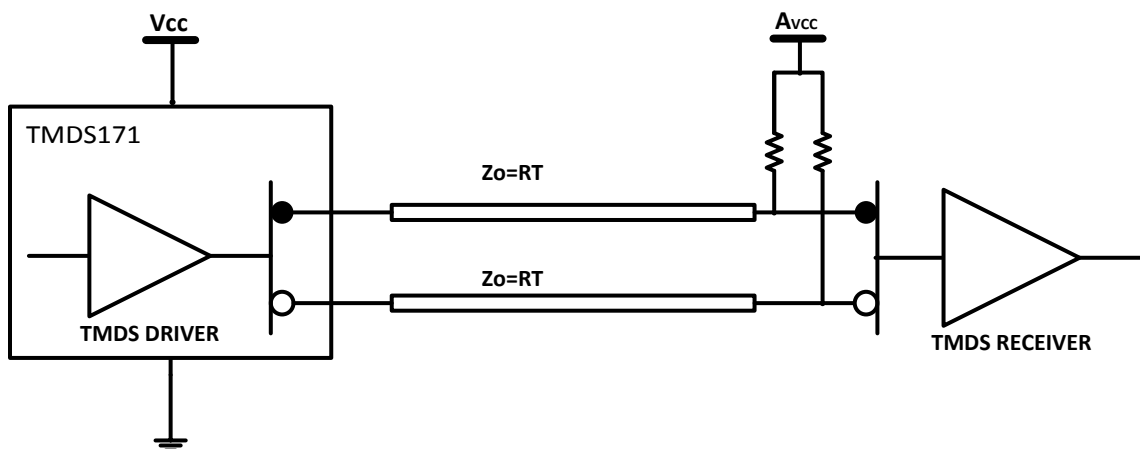


Figure 27. TMDS Driver and Termination Circuit

In Figure 27, if V_{CC} (TMDS171 supply) and AV_{CC} (sink termination supply) are both powered, the TMDS output signals are high impedance when $OE = high$. Both supplies being active are the normal operating condition. Again refer to Figure 27, if V_{CC} is on and AV_{CC} is off, the TMDS outputs source a typical 5 mA current through each termination resistor to ground. A total of 33 mW of power is consumed by the terminations independent of the OEB logical selection. When AV_{CC} is powered on, normal operation (OE controls output impedance) is resumed. When the power source of the device is off and the power source to termination is on, the $IO(off)$, output leakage current, specification ensures the leakage current is limited to 45 μA or less. The PRE_SEL pin provides -2 dB de-emphasis gain, allowing output signal pre-conditioning to offset interconnect losses from the TMDS171 outputs to a TMDS receiver. De-emphasis is recommended to be set at 0 dB while connecting to a receiver through short PCB route. The V_{OD} of the data lanes and clock lane can be adjusted through I^2C . See Table 11 for detail. Figure 1 shows the different output voltages based on the different VSADJ settings.

8.3.11 Pre-Emphasis/De-Emphasis

The TMDS171 provides de-emphasis as a way to compensate for ISI loss between the TMDS171 outputs and a TMDS receiver. There are two methods to implement this function. When in pin strapping mode the PRE_SEL pin controls this function. The PRE_SEL pin provides - 2 dB or 0 dB de-emphasis, which allows the output signal pre-conditioning. De-emphasis is recommended to be set at 0-dB while connecting to a receiver through short PCB traces. When pulled to ground through a 65 kΩ resistor - 2 dB can be realized, see Figure 9. When using I²C, reg0Ch[1:0] is used to make these adjustments.

As there are times that true pre-emphasis may be the best solution there are two methods to accomplish this. If pin strapping is being used the best method is to reduce the VSADJ resistor value thus increasing the V_{OD} swing and then pulling the PRE_SEL pin to ground using a 65 kΩ resistor, see Figure 28. If using I²C there are two methods to accomplish this. The first is similar to pin strapping but reducing VSADJ resistor value and then implementing - 2 db de-emphasis through I²C, reg0Ch[1:0] = 01. The second method is to increase the VOD swing by setting reg0Ch[7:5] = 011 and reg0Ch[1:0] = 01 which will accomplish the same pre-emphasis value, see Figure 29. Note: De-emphasis is only implement able during retimer mode. In redriver mode this function is not available.

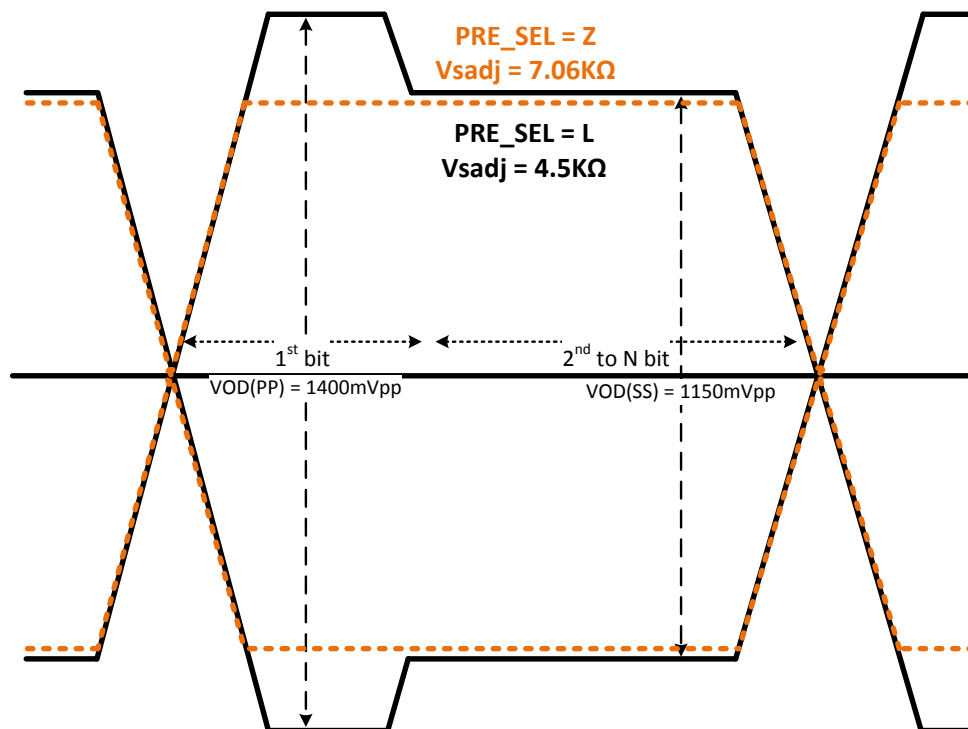
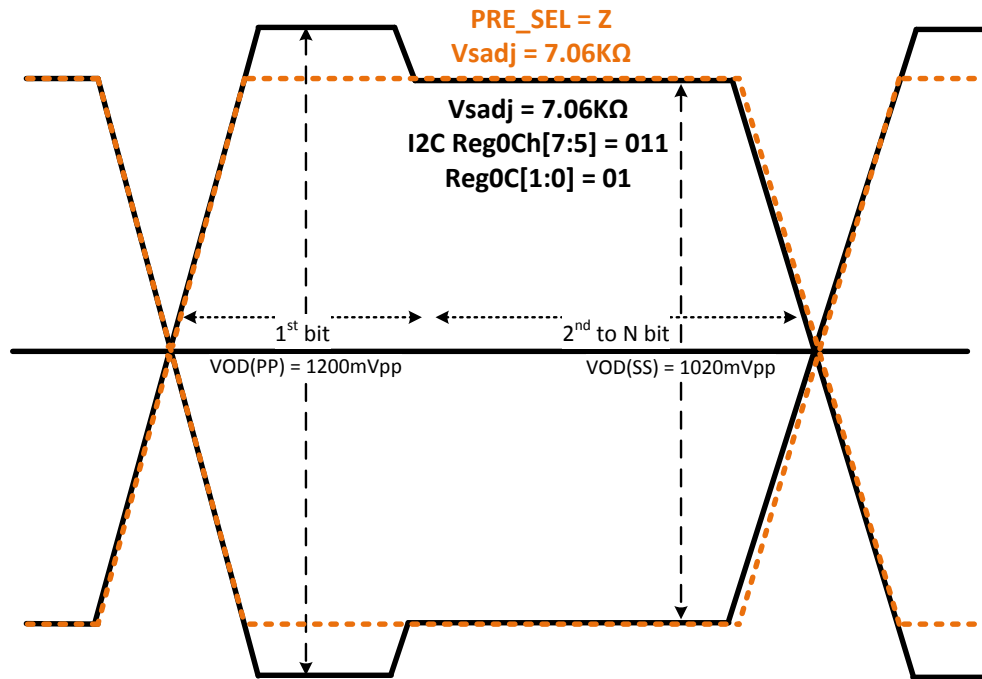


Figure 28. Pre-emphasis Using Pin Strapping


Figure 29. Pre-emphasis Using I²C

8.4 Device Functional Modes

8.4.1 Retimer Mode

Clock and Data Recovery Circuits (CDR) are used to track, sample and retimer the equalized data bit streams. The CDRs are designed with loop bandwidth to minimize the amount of jitter transfer from the video source to the TMDS outputs. Input jitter within the CDR's PLL bandwidth, < 1 MHz, is transferred to the TMDS outputs. Higher frequency jitter above the CDR loop bandwidth is attenuated, providing a jitter cleaning function to reduce the amount of high frequency jitter from the video source. The retimer is automatically activated at pixel clock above approximately 100 MHz when jitter cleaning is needed for robust operation. The retimer operates at about 100 MHz – 340 MHz pixel clock (1 – 3.4 Gbps). At pixel clock below about 100 MHz, the TMDS171 automatically bypasses the internal retimer, and operates as a redriver. When the video source changes resolution, the internal retimer starts the acquisition process to determine the input clock frequency and acquire lock to the new data bit streams. During the clock frequency detection period and the retimer acquisition period that last approximately 7 ms, the TMDS drivers can be kept active (default) or programmed to be disabled to avoid sending invalid clock or data to the downstream receiver. The TMDS171 can support retimer mode across the full data rate range of 250 Mbps - 3.4 Gbps by setting DEV_FUNC_MODE bits at reg0Ah[1:0]. See [Table 9](#). For compliance testing such as JTOL for 480 Mbps the PLL must be forced to lock.

8.4.2 Redriver Mode

The TMDS171 can function as a redriver which compensates for ISI channel loss. In this mode, power is reduced as the CDR and PLL are turned off. When in automatic mode, the TMDS171 is in redriver mode for data rates < 1.0 Gbps. By using I²C the device can be put in Redriver mode for the complete data range of 250 Mbps to 3.4 Gbps. This is done by writing a 00 to register 0Ah[1:0]. If the link has excessive random jitter then retimer mode is the best operating mode. If the link has excessive random jitter, the retimer mode is the best operating mode. When in redriver mode, the device compensates for ISI loss only. When in redriver mode compliance is not ensured as skew compensation and retiming functions are disabled. If a significant amount of random jitter is present, the system may not pass compliance at the connector.

Device Functional Modes (continued)

8.4.3 DDC Functional Description

The TMDS171 solves sink/source level issues by implementing a master/slave control mode for the DDC bus. When the TMDS171 detects the start condition on the DDC bus from the SDA_SRC/SCL_SRC, it transfers the data or clock signal to the SDA_SNK/SCL_SNK with little propagation delay. When SDA_SNK detects the feedback from the downstream device, the TMDS171 pulls up or pulls down the SDA_SRC bus and delivers the signal to the source.

The DDC link defaults to 100 kbps but can be set to various values including 400 kbps by setting the correct value to address 0Bh through the I²C interface. The DDC lines are 5 V tolerant when the device is powered off. The HPD goes to high impedance when VCC is under low power conditions < 1.5 V.

NOTE

The TMDS171 utilizes clock stretching for DDC transactions. As there are sources and sinks that do not perform this function correctly as system may not work correctly as DDC transactions are incorrectly transmitted/received. To overcome this a snoop configuration can be implemented where the SDA/SCL from the source is connected directly to the SDA/SCL sink. The TMDS171 will need its SDA_SNK and SCL_SNK pins connected to this link.

8.4.4 Mode Selection Functional Description

Mode Selection Definition: reg0Ah[7] is the mode select register, see [Table 9](#). This bit lets the receiver know where the device is located in a system for the purpose of centering the AEQ point. The TMDS171 is targeting sink or dock applications so the default value is 1 which centers the EQ at 12 dB to 13 dB, see [Table 12](#). If the TMDS171 is in a source application the value should be changed to a 0 which centers the EQ at 6.5 dB to 7.5 dB.

8.5 Register Maps

8.5.1 Local I²C Overview

The TMDS171 local I²C interface is enabled when I2C_EN/PIN is high. The SCL_CTL and SDA_CTL terminals are used for I²C clock and I²C data respectively. The TMDS171 I²C interface conforms to the two-wire serial interface defined by the I²C Bus Specification, Version 2.1 (January 2000), and supports the fast mode transfer up to 400 kbps.

The device address byte is the first byte received following the START condition from the master device. The 7 bit device address for TMDS171 decides by the combination of EQ_SEL/A0 and A1. [Table 4](#) clarifies the TMDS171 target address.

Table 4. TMDS171 I2C Device Address Description

| TMDS171 I2C Device Address | | | | | | | | | |
|----------------------------|-------------|-------|-------|-------|-------|-------|-------|-------------|-------|
| A1/A0 | Bit 7 (MSB) | Bit 6 | Bit 5 | Bit 4 | Bit 3 | Bit 2 | Bit 1 | Bit 0 (W/R) | HEX |
| 00 | 1 | 0 | 1 | 1 | 1 | 1 | 0 | 0/1 | BC/BD |
| 01 | 1 | 0 | 1 | 1 | 1 | 0 | 1 | 0/1 | BA/BB |
| 10 | 1 | 0 | 1 | 1 | 1 | 0 | 0 | 0/1 | B8/B9 |
| 11 | 1 | 0 | 1 | 1 | 0 | 1 | 1 | 0/1 | B6/B7 |

The typical source application of the TMDS171 is as a retimer in a TV connecting the HDMI input connector and an internal HDMI receiver through flat cables. The register setup can adjust by source side. When TMDS171 used in sink side application, it received data from input connector and transmit to receiver. The local I²C is not 5 V tolerant and only support 3.3 V. Local I2C buses run at 400 kHz supporting fast-mode I²C operation.

The following procedure is followed to write to the TMDS171 I²C registers:

1. The master initiates a write operation by generating a start condition (S), followed by the TMDS171 7-bit address and a zero-value “W/R” bit to indicate a write cycle
2. The TMDS171 acknowledges the address cycle
3. The master presents the sub-address (I²C register within TMDS171) to be written, consisting of one byte of data, MSB-first
4. The TMDS171 acknowledges the sub-address cycle
5. The master presents the first byte of data to be written to the I²C register
6. The TMDS171 acknowledges the sub-address cycle
7. TMDS171 acknowledges the byte transfer
8. The master may continue presenting additional bytes of data to be written, with each byte transfer completing with an acknowledge from the TMDS171
9. The master terminates the write operation by generating a stop condition (P)

The following procedure is followed to read the TMDS171 I²C registers:

1. The master initiates a read operation by generating a start condition (S), followed by the TMDS171 7-bit address and a one-value “W/R” bit to indicate a read cycle
2. The TMDS171 acknowledges the address cycle
3. The TMDS171 transmit the contents of the memory registers MSB-first starting at register 00h.
4. The TMDS171 will wait for either an acknowledge (ACK) or a not-acknowledge (NACK) from the master after each byte transfer; the I²C master acknowledges reception of each data byte transfer
5. If an ACK is received, the TMDS171 transmits the next byte of data
6. The master terminates the read operation by generating a stop condition (P)

NOTE

Nno sub-addressing is included for the read procedure, and reads start at register offset 00h and continue byte by byte through the registers until the I²C master terminates the read operation.

Refer to [Table 4](#) for TMDS171 local I²C register descriptions. Reads from reserved fields not described return zeros, and writes are ignored.

8.5.1.1 BIT Access Tag Conventions

A table of bit descriptions is typically included for each register description that indicates the bit field name, field description, and the field access tags. The field access tags are described in [Table 5](#).

Table 5. Access Tags

| ACCESS TAG | NAME | DESCRIPTION |
|------------|-----------|--|
| R | Read | The field shall be read by software |
| W | Write | The field shall be written by software |
| S | Set | The field shall be set by a write of one. Writes of Zero to the field have no effect |
| C | Clear | The field shall be cleared by a write of one. Writes of Zero to the field have no effect |
| u | Update | Hardware may autonomously update this field |
| NA | No Access | Not accessible or not applicable |

8.5.2 CSR Bit Field Definitions, DEVICE_ID (offset: 00000000 ≈ 00000111) (reset:00h ≈ 07h)

Figure 30. CSR Bit Field Definitions, DEVICE_ID (00h ≈ 07h)

| 7 | 6 | 5 | 4 | 3 | 2 | 1 | 0 |
|---|---|---|---|---|---|---|---|
| 0 | 0 | 0 | 0 | 0 | 0 | 0 | 0 |
| R | R | R | R | R | R | R | R |

LEGEND: R/W = Read/Write; R = Read only; -n = value after reset, S= Set, U = autonomously update

Table 6. CSR Bit Field Definitions, DEVICE_ID (00h ≈ 07h)

| Bit | Field | Type | Reset | Description |
|-----|-----------|------|-----------|--|
| 7:0 | DEVICE_ID | R | 00h ≈ 07h | These fields return a string of ASCII characters "TMDS171" preceded by one space characters. TMDS171: 0x00 – 0x07 = {- 0x54"T", 0x4D"M", 0x44"D", 0x53"S", 0x31"1", 0x37"7", 0x31"1", 0x20}, |

8.5.3 CSR Bit Field Definitions, REV_ID (offset: 00001000) (reset: 01h)

Figure 31. CSR Bit Field Definitions, REV_ID (08h)

| 7 | 6 | 5 | 4 | 3 | 2 | 1 | 0 |
|---|---|---|---|---|---|---|---|
| 0 | 0 | 0 | 0 | 0 | 0 | 0 | 1 |
| R | R | R | R | R | R | R | R |

LEGEND: R/W = Read/Write; R = Read only; -n = value after reset, S= Set, U = autonomously update

Table 7. CSR Bit Field Definitions, REV_ID (08h)

| Bit | Field | Type | Reset | Description |
|-----|--------|------|-------|---|
| 7:0 | REV_ID | R | 01h | This field identifies the device revision. 0000001– TMDS171 Revision 1 |

8.5.4 CSR BIT Field Definitions – Misc Control (offset: 00001001) (reset: 02h)
Figure 32. CSR Bit Field Definitions – Misc Control (09h)

| 7 | 6 | 5 | 4 | 3 | 2 | 1 | 0 |
|-------|-------|---|-------|-----|-----|-----|-----|
| 0 | 0 | 0 | 0 | 0 | 0 | 1 | 0 |
| R/W/U | R/W/U | R | R/W/U | R/W | R/W | R/W | R/W |

LEGEND: R/W = Read/Write; R = Read only; -n = value after reset, S= Set, U = autonomously update

Table 8. CSR Bit Field Definitions – Misc Control (09h)

| Bit | Field | Type | Reset | Description |
|-----|-------------------------|-------|-------|--|
| 7 | Lane_SWAP | R/W/U | 1'b0 | This field Swaps the input lanes as per Figure 25 . 0 --- Disable (default) No Lane Swap 1 --- enable: Swaps input lanes (Redriver and Retimer Mode) Note: field is loaded from SWAP/POL pin; Writes are ignored when I2C_EN/PIN = 0 |
| 6 | LANE_POLARITY | R/W/U | 1'b0 | Swaps the input Data and Clock lanes polarity. 0 – Disabled: No polarity swap 1 – Swaps the input Data and Clock lane polarity (Retimer Mode Only) Note: field is loaded from SWAP/POL pin; Writes are ignored when I2C_EN/PIN = 0 |
| 5 | Reserved | R | 1'b0 | Reserved |
| 4 | SIG_EN | R/W/U | 1'b0 | This field enable the clock lane activity detect circuitry. 0 – Disable(Default) Clock detector circuit closed and receiver always works in normal operation. 1 – Enable , Clock detector circuit will make receiver automatic enter the standby state when no valid data detect. Note: field is loaded from SIG_EN pin; Writes are ignored when I2C_EN/PIN = 0 |
| 3 | PD_EN | R/W | 1'b0 | 0 – Normal working (default) 1 – Forced Power down by I ² C, Lowest Power state |
| 2 | HPD_AUTO_PWRDWN_DISABLE | R/W | 1'b0 | 0 – Automatically enters power down mode based on HPD_SNK (default) 1 – Will not automatically enter power down mode |
| 1:0 | I2C_DR_CTL | R/W | 2'b10 | I ² C data rate supported for configuring device. 00 – 5 Kbps 01 – 10 Kbps 10 – 100 Kbps(default) 11 – 400 Kbps (Note: HPD_AUTO_PWRDWN_DISABLE must be set before enabling 400 Kbps mode) |

8.5.5 CSR BIT Field Definitions – Misc Control (offset: 00001010) (reset: B1h)
Figure 33. CSR Bit Field Definitions – Misc Control (0Ah)

| 7 | 6 | 5 | 4 | 3 | 2 | 1 | 0 |
|-----|-----|-----|-----|---|---|-----|-----|
| 1 | 0 | 1 | 1 | 0 | 0 | 0 | 1 |
| R/W | R/W | R/W | R/W | R | W | R/W | R/W |

LEGEND: R/W = Read/Write; R = Read only; -n = value after reset, S= Set, U = autonomously update

Table 9. CSR Bit Field Definitions – Misc Control (0Ah)

| Bit | Field | Type | Reset | Description |
|-----|----------------------------|------|-------|---|
| 7 | Application Mode Selection | R/W | 1'b1 | See <i>Mode Selection</i> TMDS171 0 – Source 1 – Sink (Default) |
| 6 | HPDSNK_GATE_EN | R/W | 1'b0 | Swaps the input Data and Clock lanes polarity. The field set the HPD_SNK signal pass through to HPD_SRC or not and HPD_SRC whether held in the de-asserted state. 0 – HPD_SNK passed through to the HPD_SRC (default) 1 – HPD_SNK will not pass through to the HPD_SRC. |
| 5 | EQ_ADA_EN | R/W | 1'b1 | This field enable the equalizer functioning state; Writes are ignored when I2C_EN/PIN = 0 0 – Fixed EQ 1 – Adaptive EQ (default) |
| 4 | EQ_EN | R/W | 1'b1 | This field enable the Equalizer; Writes are ignored when I2C_EN/PIN = 0 0 -- EQ disable 1 – EQ enable (default) |
| 3 | Reserved | R | 1'b0 | Reserved |
| 2 | APPLY_RXTX_CHANGES | W | 1'b0 | Self-clearing write-only bit. Writing a 1 to this bit will apply new TX_TERM, HDMI_TWPST1, EQ_EN, EQ_ADA_EN, VSWING, Fixed EQ value settings to the clock and data lanes. Writes to the respective registers do not take immediate effect. This bit does not need to be written if I ² C configuration occurs while OE or HPD_SNK are low, I2C PD_EN=1 or there is no HDMI clock applied and SIG_EN is high. |
| 1:0 | DEV_FUNC_MODE. | R/W | 2'b01 | This field selects the Device Working Function Mode. 00 – Redriver Mode across full range 250 Mbps – 3.4 Gbps 01 - Automatic Redriver to Retimer Cross Over at 1.0 Gbps (default) 10 - Reserved 11 - Retimer Mode across full range 250 Mbps – 3.4 Gbps When changing crossover point, need to toggle PD_EN or toggle external HPD_SNK. |

8.5.6 CSR BIT Field Definitions – Misc Control (offset: 00001011) (reset: 00h)
Figure 34. CSR Bit Field Definitions – Misc Control (0Bh)

| 7 | 6 | 5 | 4 | 3 | 2 | 1 | 0 |
|---|---|---|-------|-------|-----|---|---|
| 0 | 0 | 0 | 0 | 0 | 0 | 0 | 0 |
| R | R | R | R/W/U | R/W/U | R/W | R | R |

LEGEND: R/W = Read/Write; R = Read only; -n = value after reset, S= Set, U = autonomously update

Table 10. CSR Bit Field Definitions – Misc Control (0Bh)

| Bit | Field | Type | Reset | Description |
|-----|-------------|------|--------|--|
| 7:5 | Reserved | R | 2'b000 | Reserved |
| 4:3 | TX_TERM_CTL | RWU | 2'b00 | Controls termination for HDMI TX; Writes are ignored when I2C_EN/PIN = 0 00 – No termination 01 – 150 to 300 Ω 10 – Reserved. 11 – Reserved |
| 2 | DDC_DR_SEL | R/W | 1'b0 | Defines the DDC output speed for both DDC bridge and AUX-DDC Bridge. 0 = 100 kbps (default) 1 = 400 kbps (Note: HPD_AUTO_PWRDWN_DISABLE must be set before enabling 400 Kbps mode) |
| 1:0 | Reserved | R | 2'b00 | Reserved |

8.5.7 CSR BIT Field Definitions – Misc Control (offset: 00001100) (reset: 00h)
Figure 35. CSR Bit Field Definitions – Misc Control (0Ch)

| 7 | 6 | 5 | 4 | 3 | 2 | 1 | 0 |
|-----|-----|-----|-----|-----|-----|-------|-------|
| 0 | 0 | 0 | 0 | 0 | 0 | 0 | 0 |
| R/W | R/W | R/W | R/W | R/W | R/W | R/W/U | R/W/U |

LEGEND: R/W = Read/Write; R = Read only; -n = value after reset, S= Set, U = autonomously update

Table 11. CSR Bit Field Definitions – Misc Control (0Ch)

| Bit | Field | Type | Reset | Description |
|-----|------------------|-------|---------|--|
| 7:5 | VSWING_DATA | R/W | 3'b000 | Data Output Swing Control (Need Design input on what is available) 000 – Vsadj set (default) 001 – Increase by 7% 010 – Increase by 13% 011 – Increase by 18% 100 – Decrease by 30% 101 – Decrease by 22% 110 – Decrease by 15% 111 – Decrease by 7% |
| 4:2 | VSWING_CLK | R/W | 13'b000 | Clock Output Swing Control: Default is set by DR which means standard based swing values but this allows for the swing to be overridden by selecting one of the following values. 000 – Set by Data Rate 001 – Increase by 7% 010 – Increase by 13% 011 – Increase by 18% 100 – Decrease by 30% 101 – Decrease by 22% 110 – Decrease by 15% 111 – Decrease by 7% |
| 1:0 | HDMI_TWPST1[1:0] | R/W/U | 2'b00 | HDMI pre-emphasis FIR post-cursor-1 signed tap weight. 00 – No pre-emphasis 01 – 2 dB pre-emphasis. 10 – Reserved 11 – Reserved Note: Reflects value of PRE_SEL pin; Writes are ignored when I2C_EN/PIN = 0 |

8.5.8 CSR BIT Field Definitions – Equalization Control Register (offset: 00001101) (reset: 01h)
Figure 36. CSR BIT Field Definitions – Equalization Control Register (0Dh)

| 7 | 6 | 5 | 4 | 3 | 2 | 1 | 0 |
|---|---|-----|-----|-----|-----|-----|---|
| 0 | 0 | 0 | 0 | 0 | 0 | 0 | 1 |
| R | R | R/W | R/W | R/W | R/W | R/W | R |

LEGEND: R/W = Read/Write; R = Read only; -n = value after reset, S= Set, U = autonomously update

Table 12. CSR BIT Field Definitions – Equalization Control Register (0Dh)

| Bit | Field | Type | Reset | Description |
|-----|---------------|------|---------|--|
| 7:6 | Reserved | R | 2'b00 | Reserved |
| 5:3 | Data Lane EQ | R/W | 1'b000 | Sets Fixed EQ Values 000 – 0 dB 001 – 4.5 dB 010 – 6.5 dB 011 – 8.5 dB 100 – 10.5 dB 101 – 12 dB 110 – 14 dB 111 – 16.5 dB |
| 2:1 | Clock Lane EQ | R/W | 13'b000 | - Sets Fixed EQ Values. 00 – 0 dB 01 – 1.5 dB 10 – 3 dB 011 – RSVD |
| 0 | Reserved | R | 1'b1 | Reserved |

8.5.9 CSR BIT Field Definitions – RX Pattern Verifier Control/Status (offset: 00001110) (reset: 00h)
Figure 37. CSR BIT Field Definitions – RX Pattern Verifier Control/Status (0Eh)

| 7 | 6 | 5 | 4 | 3 | 2 | 1 | 0 |
|-----|-----|-----|-----|-----|-----|-----|-----|
| 0 | 0 | 0 | 0 | 0 | 0 | 0 | 0 |
| R/W | R/W | R/W | R/W | R/W | R/W | R/W | R/W |

LEGEND: R/W = Read/Write; R = Read only; -n = value after reset, S= Set, U = autonomously update

Table 13. CSR BIT Field Definitions – RX Pattern Verifier Control/Status (0Eh)

| Bit | Field | Type | Reset | Description |
|-----|--------------|------|---------|--|
| 7:4 | PV_SYNC[3:0] | R/W | 4'b0000 | Pattern timing pulse. This field is updated for 8UI once every cycle of the PRBS generator. 1 bit per lane. |
| 3:0 | PV_LD[3:0] | R/W | 4'b0000 | Load pattern-verifier controls into RX lanes. When asserted high, the PV_TO, PV_SEL, PV_LEN, PV_CP20, and PV_CP values are enabled into the corresponding RX lane. These values are then latched and held when PV_LD[n] is subsequently de-asserted low. 1 bit per lane. |

8.5.10 CSR BIT Field Definitions – RX Pattern Verifier Control/Status (offset: 00001111) (reset: 00h)
Figure 38. CSR BIT Field Definitions – RX Pattern Verifier Control/Status (0Fh)

| 7 | 6 | 5 | 4 | 3 | 2 | 1 | 0 |
|-----|-----|-----|-----|-----|-----|-----|-----|
| 0 | 0 | 0 | 0 | 0 | 0 | 0 | 0 |
| R/U | R/U | R/U | R/U | R/U | R/U | R/U | R/U |

LEGEND: R/W = Read/Write; R = Read only; -n = value after reset, S= Set, U = autonomously update

Table 14. CSR BIT Field Definitions – RX Pattern Verifier Control/Status (0Fh)

| Bit | Field | Type | Reset | Description |
|-----|--------------|------|---------|---|
| 7:4 | PV_SYNC[3:0] | R/U | 4'b0000 | Pattern verification mismatch detected. 1 bit per lane. |
| 3:0 | PV_LD[3:0] | R/U | 4'b0000 | Pattern search/training in progress. 1 bit per lane. |

8.5.11 CSR BIT Field Definitions – RX Pattern Verifier Control/Status (offset: 00010000) (reset: 00h)
Figure 39. CSR BIT Field Definitions – RX Pattern Verifier Control/Status (10h)

| 7 | 6 | 5 | 4 | 3 | 2 | 1 | 0 |
|-----|---|-----|-----|-----|-----|-----|-----|
| 0 | 0 | 0 | 0 | 0 | 0 | 0 | 0 |
| R/W | R | R/W | R/W | R/W | R/W | R/W | R/W |

LEGEND: R/W = Read/Write; R = Read only; -n = value after reset, S= Set, U = autonomously update

Table 15. CSR BIT Field Definitions – RX Pattern Verifier Control/Status (10h)

| Bit | Field | Type | Reset | Description |
|-----|--------------|------|--------|---|
| 7 | PV_CP20 | R/W | 1'b0 | Customer pattern length 20/16 bits. 0 – 16 bits 1 – 20 bits |
| 6 | Reserved | R | 1'b0 | Reserved |
| 5:3 | PV_LEN[2:0] | R,W | 3'b000 | JPRBS pattern length 000 – PRBS7 001 – PRBS11 010 – PRBS23 011 – PRBS31 100 – PRBS15 101 – PRBS15 110 – PRBS20 111 – PRBS20 |
| 2:0 | PV_SEL[24:0] | R/W | 3'b000 | Pattern select control 000 – Disabled 001 – PRBS 010 - Clock 011 - Custom 1xx – Timing only mode with sync pulse spacing defined by PV_LEN |

8.5.12 CSR BIT Field Definitions – RX Pattern Verifier Control/Status (offset: 00010001) (reset: 00h)
Figure 40. CSR BIT Field Definitions – RX Pattern Verifier Control/Status (11h)

| 7 | 6 | 5 | 4 | 3 | 2 | 1 | 0 |
|-----|-----|-----|-----|-----|-----|-----|-----|
| 0 | 0 | 0 | 0 | 0 | 0 | 0 | 0 |
| R/W | R/W | R/W | R/W | R/W | R/W | R/W | R/W |

LEGEND: R/W = Read/Write; R = Read only; -n = value after reset, S= Set, U = autonomously update

Table 16. CSR BIT Field Definitions – RX Pattern Verifier Control/Status (11h)

| Bit | Field | Type | Reset | Description |
|-----|------------|------|-------|----------------------|
| 7 | PV_CP[7:0] | R/W | 'h00 | Custom pattern data. |

8.5.13 CSR BIT Field Definitions – RX Pattern Verifier Control/Status (offset: 00010010) (reset: 00h)
Figure 41. CSR BIT Field Definitions – RX Pattern Verifier Control/Status (12h)

| 7 | 6 | 5 | 4 | 3 | 2 | 1 | 0 |
|-----|-----|-----|-----|-----|-----|-----|-----|
| 0 | 0 | 0 | 0 | 0 | 0 | 0 | 0 |
| R/W | R/W | R/W | R/W | R/W | R/W | R/W | R/W |

LEGEND: R/W = Read/Write; R = Read only; -n = value after reset, S= Set, U = autonomously update

Table 17. CSR BIT Field Definitions – RX Pattern Verifier Control/Status (12h)

| Bit | Field | Type | Reset | Description |
|-----|-------------|------|-------|----------------------|
| 7 | PV_CP[15:8] | R/W | 'h00 | Custom pattern data. |

8.5.14 CSR BIT Field Definitions – RX Pattern Verifier Control/Status (offset: 00010011) (reset: 00h)
Figure 42. CSR BIT Field Definitions – RX Pattern Verifier Control/Status (13h)

| 7 | 6 | 5 | 4 | 3 | 2 | 1 | 0 |
|---|---|---|---|-----|-----|-----|-----|
| 0 | 0 | 0 | 0 | 0 | 0 | 0 | 0 |
| R | R | R | R | R/W | R/W | R/W | R/W |

LEGEND: R/W = Read/Write; R = Read only; -n = value after reset, S= Set, U = autonomously update

Table 18. CSR BIT Field Definitions – RX Pattern Verifier Control/Status (13h)

| Bit | Field | Type | Reset | Description |
|-----|--------------|------|---------|--|
| 7:4 | Reserved | R | 4'b0000 | Reserved |
| 3:0 | PV_CP[19:16] | R/W | 4'b0000 | Custom pattern data. Used when PV_CP20 = 1'b1. |

8.5.15 CSR BIT Field Definitions – RX Pattern Verifier Control/Status (offset: 00010100) (reset: 00h)
Figure 43. CSR BIT Field Definitions – RX Pattern Verifier Control/Status (14h)

| 7 | 6 | 5 | 4 | 3 | 2 | 1 | 0 |
|---|---|---|---|---|-----|-----|-----|
| 0 | 0 | 0 | 0 | 0 | 0 | 0 | 0 |
| R | R | R | R | R | R/W | R/W | R/W |

LEGEND: R/W = Read/Write; R = Read only; -n = value after reset, S= Set, U = autonomously update

Table 19. CSR BIT Field Definitions – RX Pattern Verifier Control/Status (14h)

| Bit | Field | Type | Reset | Description |
|-----|-------------|------|----------|------------------------------------|
| 7:3 | Reserved | R | 5'b00000 | Reserved |
| 2:0 | PV_THR[2:0] | R/W | 3'b000 | Pattern-verifier retain threshold. |

8.5.16 CSR BIT Field Definitions – RX Pattern Verifier Control/Status (offset: 00010101) (reset: 00h)
Figure 44. CSR BIT Field Definitions – RX Pattern Verifier Control/Status (15h)

| 7 | 6 | 5 | 4 | 3 | 2 | 1 | 0 |
|---|---|---|-------|-------|-----|-----|-----|
| 0 | 0 | 0 | 0 | 0 | 0 | 0 | 0 |
| R | R | R | R/S/U | R/S/U | R/W | R/W | R/W |

LEGEND: R/W = Read/Write; R = Read only; -n = value after reset, S= Set, U = autonomously update

Table 20. CSR BIT Field Definitions – RX Pattern Verifier Control/Status (15h)

| Bit | Field | Type | Reset | Description |
|-----|--------------|-------|--------|--|
| 7 | DESKEW_CMPLT | R | 1'b0 | Indicates that TMDS lane deskew has completed when high. |
| 6:5 | Reserved | R | 2'b00 | Reserved |
| 4 | BERT_CLR | R/S/U | 1'b0 | Clear BERT counter (on rising edge). |
| 3 | TST_INTQ_CLR | R/S/U | 1'b0 | Clear latched interrupt flag. |
| 2:0 | TST_SEL[2:0] | R/W | 3'b000 | Test interrupt source select. |

8.5.17 CSR BIT Field Definitions – RX Pattern Verifier Control/Status (offset: 00010110) (reset: 00h)
Figure 45. CSR BIT Field Definitions – RX Pattern Verifier Control/Status (16h)

| 7 | 6 | 5 | 4 | 3 | 2 | 1 | 0 |
|-----|-----|-----|-----|---|-----|-----|-----|
| 0 | 0 | 0 | 0 | 0 | 0 | 0 | 0 |
| R/W | R/W | R/W | R/W | R | R/W | R/W | R/W |

LEGEND: R/W = Read/Write; R = Read only; -n = value after reset, S= Set, U = autonomously update

Table 21. CSR BIT Field Definitions – RX Pattern Verifier Control/Status (16h)

| Bit | Field | Type | Reset | Description |
|-----|-----------------|------|---------|--|
| 7:4 | PV_DP_EN[3:0] | R/W | 4'b0000 | Enable datapath verified based on DP_TST_SEL, 1 bit per lane |
| 3 | Reserved | R | 1'b0 | Reserved |
| 2:0 | DP_TST_SEL[2:0] | R/W | 3'b000 | Selects pattern reported by BERT_CNT[11:0], TST_INT[0] and TST_INTQ[0] and PV_DP_EN is non-zero. 000 – TMDS disparity or data errors 001 – FIFO errors 010 – FIFO overflow errors 011 – FIFO underflow errors 100 – TMDS deskew status 101,110,111 – Reserved. |

8.5.18 CSR BIT Field Definitions – RX Pattern Verifier Control/Status (offset: 00010111) (reset: 00h)
Figure 46. CSR BIT Field Definitions – RX Pattern Verifier Control/Status (17h)

| 7 | 6 | 5 | 4 | 3 | 2 | 1 | 0 |
|-----|-----|-----|-----|-----|-----|-----|-----|
| 0 | 0 | 0 | 0 | 0 | 0 | 0 | 0 |
| R/U | R/U | R/U | R/U | R/U | R/U | R/U | R/U |

LEGEND: R/W = Read/Write; R = Read only; -n = value after reset, S= Set, U = autonomously update

Table 22. CSR BIT Field Definitions – RX Pattern Verifier Control/Status (17h)

| Bit | Field | Type | Reset | Description |
|-----|---------------|------|---------|--|
| 7:4 | TST_INTQ[3:0] | R/U | 4'b0000 | Latched interrupt flag. 1 bit per lane |
| 3:0 | RTST_INT[3:0] | R/U | 4'b0000 | Test interrupt flag. 1 bit per lane. |

8.5.19 CSR BIT Field Definitions – RX Pattern Verifier Control/Status (offset: 00011000) (reset: 00h)
Figure 47. CSR BIT Field Definitions – RX Pattern Verifier Control/Status (18h)

| 7 | 6 | 5 | 4 | 3 | 2 | 1 | 0 |
|-----|-----|-----|-----|-----|-----|-----|-----|
| 0 | 0 | 0 | 0 | 0 | 0 | 0 | 0 |
| R/U | R/U | R/U | R/U | R/U | R/U | R/U | R/U |

LEGEND: R/W = Read/Write; R = Read only; -n = value after reset, S= Set, U = autonomously update

Table 23. CSR BIT Field Definitions – RX Pattern Verifier Control/Status (18h)

| Bit | Field | Type | Reset | Description |
|-----|---------------|------|-------|--------------------------|
| 7:0 | BERT_CNT[7:0] | R/U | 'h00 | BERT error count. Lane 0 |

8.5.20 CSR BIT Field Definitions – RX Pattern Verifier Control/Status (offset: 00011001) (reset: 00h)
Figure 48. CSR BIT Field Definitions – RX Pattern Verifier Control/Status (19h)

| 7 | 6 | 5 | 4 | 3 | 2 | 1 | 0 |
|---|---|---|---|-----|-----|-----|-----|
| 0 | 0 | 0 | 0 | 0 | 0 | 0 | 0 |
| R | R | R | R | R/U | R/U | R/U | R/U |

LEGEND: R/W = Read/Write; R = Read only; -n = value after reset, S= Set, U = autonomously update

Table 24. CSR BIT Field Definitions – RX Pattern Verifier Control/Status (19h)

| Bit | Field | Type | Reset | Description |
|-----|----------------|------|---------|--------------------------|
| 7:4 | Reserved | R | 4'b0000 | Reserved |
| 3:0 | BERT_CNT[11:8] | R/U | 4'b0000 | BERT error count. Lane 0 |

8.5.21 CSR BIT Field Definitions – RX Pattern Verifier Control/Status (offset: 00011010) (reset: 00h)
Figure 49. CSR BIT Field Definitions – RX Pattern Verifier Control/Status (1Ah)

| 7 | 6 | 5 | 4 | 3 | 2 | 1 | 0 |
|-----|-----|-----|-----|-----|-----|-----|-----|
| 0 | 0 | 0 | 0 | 0 | 0 | 0 | 0 |
| R/U | R/U | R/U | R/U | R/U | R/U | R/U | R/U |

LEGEND: R/W = Read/Write; R = Read only; -n = value after reset, S= Set, U = autonomously update

Table 25. CSR BIT Field Definitions – RX Pattern Verifier Control/Status (1Ah)

| Bit | Field | Type | Reset | Description |
|-----|------------------|------|-------|--------------------------|
| 7:0 | BERT_CNT[19:12]. | R/U | 'h00 | BERT error count. Lane 1 |

8.5.22 CSR BIT Field Definitions – RX Pattern Verifier Control/Status (offset: 00011011) (reset: 00h)
Figure 50. CSR BIT Field Definitions – RX Pattern Verifier Control/Status (1Bh)

| 7 | 6 | 5 | 4 | 3 | 2 | 1 | 0 |
|---|---|---|---|-----|-----|-----|-----|
| 0 | 0 | 0 | 0 | 0 | 0 | 0 | 0 |
| R | R | R | R | R/U | R/U | R/U | R/U |

LEGEND: R/W = Read/Write; R = Read only; -n = value after reset, S= Set, U = autonomously update

Table 26. CSR BIT Field Definitions – RX Pattern Verifier Control/Status (1Bh)

| Bit | Field | Type | Reset | Description |
|-----|-----------------|------|---------|--------------------------|
| 7:4 | Reserved | R | 4'b0000 | Reserved |
| 3:0 | BERT_CNT[23:20] | R/U | 4'b0000 | BERT error count. Lane 1 |

8.5.23 CSR BIT Field Definitions – RX Pattern Verifier Control/Status (offset: 00011100) (reset: 00h)
Figure 51. CSR BIT Field Definitions – RX Pattern Verifier Control/Status (1Ch)

| 7 | 6 | 5 | 4 | 3 | 2 | 1 | 0 |
|-----|-----|-----|-----|-----|-----|-----|-----|
| 0 | 0 | 0 | 0 | 0 | 0 | 0 | 0 |
| R/U | R/U | R/U | R/U | R/U | R/U | R/U | R/U |

LEGEND: R/W = Read/Write; R = Read only; -n = value after reset, S= Set, U = autonomously update

Table 27. CSR BIT Field Definitions – RX Pattern Verifier Control/Status (1Ch)

| Bit | Field | Type | Reset | Description |
|-----|-----------------|------|-------|--------------------------|
| 7:0 | BERT_CNT[31:24] | R/U | 'h00 | BERT error count. Lane 2 |

8.5.24 CSR BIT Field Definitions – RX Pattern Verifier Control/Status (offset: 00011101) (reset: 00h)
Figure 52. CSR BIT Field Definitions – RX Pattern Verifier Control/Status (1Dh)

| 7 | 6 | 5 | 4 | 3 | 2 | 1 | 0 |
|---|---|---|---|-----|-----|-----|-----|
| 0 | 0 | 0 | 0 | 0 | 0 | 0 | 0 |
| R | R | R | R | R/U | R/U | R/U | R/U |

LEGEND: R/W = Read/Write; R = Read only; -n = value after reset, S= Set, U = autonomously update

Table 28. CSR BIT Field Definitions – RX Pattern Verifier Control/Status (1Dh)

| Bit | Field | Type | Reset | Description |
|-----|-----------------|------|---------|--------------------------|
| 7:4 | Reserved | R | 4'b0000 | Reserved |
| 3:0 | BERT_CNT[35:32] | R/U | 4'b0000 | BERT error count. Lane 2 |

8.5.25 CSR BIT Field Definitions – RX Pattern Verifier Control/Status (offset: 00011110) (reset: 00h)
Figure 53. CSR BIT Field Definitions – RX Pattern Verifier Control/Status (1Eh)

| 7 | 6 | 5 | 4 | 3 | 2 | 1 | 0 |
|-----|-----|-----|-----|-----|-----|-----|-----|
| 0 | 0 | 0 | 0 | 0 | 0 | 0 | 0 |
| R/U | R/U | R/U | R/U | R/U | R/U | R/U | R/U |

LEGEND: R/W = Read/Write; R = Read only; -n = value after reset, S= Set, U = autonomously update

Table 29. CSR BIT Field Definitions – RX Pattern Verifier Control/Status (1Eh)

| Bit | Field | Type | Reset | Description |
|-----|-----------------|------|-------|--------------------------|
| 7:0 | BERT_CNT[19:12] | R/U | 'h00 | BERT error count. Lane 3 |

8.5.26 CSR BIT Field Definitions – RX Pattern Verifier Control/Status (offset: 00011111) (reset: 00h)
Figure 54. CSR BIT Field Definitions – RX Pattern Verifier Control/Status (1Fh)

| 7 | 6 | 5 | 4 | 3 | 2 | 1 | 0 |
|---|---|---|---|-----|-----|-----|-----|
| 0 | 0 | 0 | 0 | 0 | 0 | 0 | 0 |
| R | R | R | R | R/U | R/U | R/U | R/U |

LEGEND: R/W = Read/Write; R = Read only; -n = value after reset, S= Set, U = autonomously update

Table 30. CSR BIT Field Definitions – RX Pattern Verifier Control/Status (1Fh)

| Bit | Field | Type | Reset | Description |
|-----|-----------------|------|---------|--------------------------|
| 7:4 | Reserved | R | 4'b0000 | Reserved |
| 3:0 | BERT_CNT[23:20] | R/U | 4'b0000 | BERT error count. Lane 3 |

8.5.27 CSR BIT Field Definitions – RX Pattern Verifier Control/Status (offset: 00100000) (reset: 00h)
Figure 55. CSR BIT Field Definitions – RX Pattern Verifier Control/Status (20h)

| 7 | 6 | 5 | 4 | 3 | 2 | 1 | 0 |
|---|---|-----|-----|---|---|---|---|
| 0 | 0 | 0 | 0 | 0 | 0 | 0 | 0 |
| R | R | R/W | R/W | R | R | R | R |

LEGEND: R/W = Read/Write; R = Read only; -n = value after reset, S= Set, U = autonomously update

Table 31. CSR BIT Field Definitions – RX Pattern Verifier Control/Status (20h)

| Bit | Field | Type | Reset | Description |
|-----|----------------|------|-------|---|
| 7 | PWR_DWN_STATUS | R | 1'b0 | Power Down Status Bit. 0 = Normal Operation (default) 1 = Device in Power Down Mode |

Table 31. CSR BIT Field Definitions – RX Pattern Verifier Control/Status (20h) (continued)

| Bit | Field | Type | Reset | Description |
|-----|------------|------|-----------|--|
| 6 | STB_STATUS | R | 1'b0 | Standby Status Bit 0 = Normal Operation (default) 1 = Device in Standby Mode |
| 5:0 | Reserved | R | 6'b000000 | Reserved |

9 Application and Implementation

NOTE

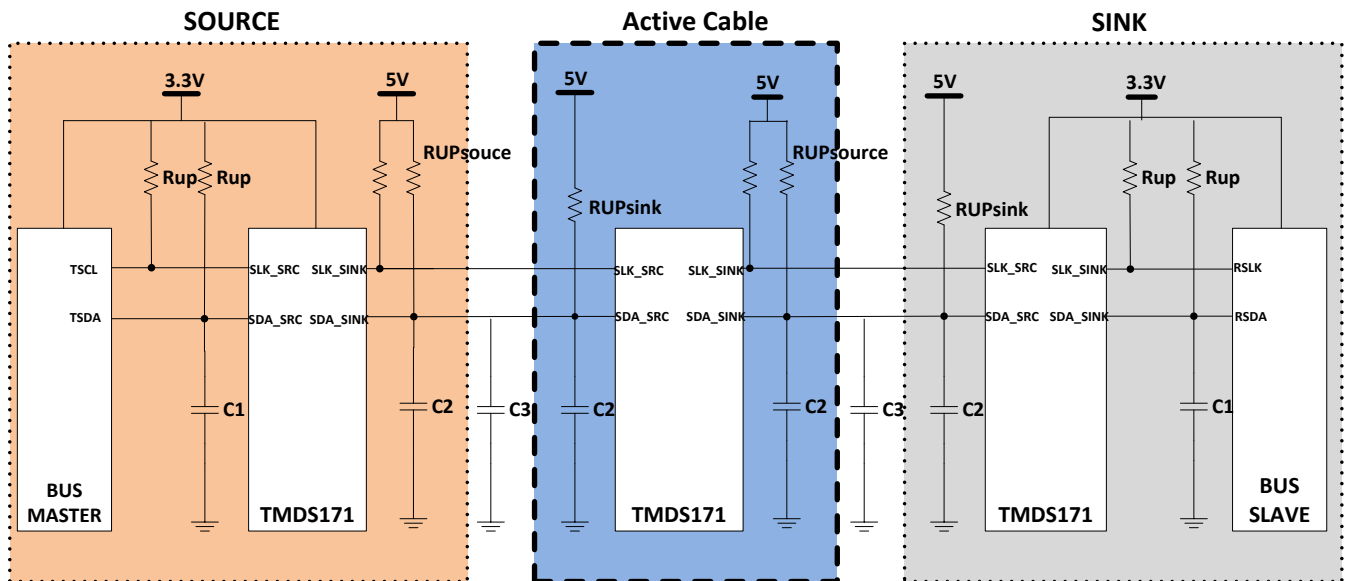
Information in the following applications sections is not part of the TI component specification, and TI does not warrant its accuracy or completeness. TI's customers are responsible for determining suitability of components for their purposes. Customers should validate and test their design implementation to confirm system functionality.

9.1 Application Information

The TMDS171 was defined to work in many applications. This includes source applications like a Blu-Ray DVD player or AVR. The adaptive receive equalizer makes it ideal for sink applications like HDTV, monitors and projectors where cable length can be widely varied. The TMDS171 is also capable of working as an active cable to extend the cable length even further.

9.1.1 Application Chain Showing DDC Connections

The DDC circuitry inside the TMDS171 allows multiple stage operation as shown in Figure 56. The retimer devices can be connected to any of the bus segments. The number of devices that can be connected in series is limited by repeater delay/time of flight considerations for the maximum bus speed requirements.



Copyright © 2016, Texas Instruments Incorporated

Figure 56. Typical Series Application

9.1.2 DDC Pull Up Resistors

This section is for information only and subject to change depending upon system implementation. The pull-up resistor value is determined by two requirements.

1. The maximum sink current of the I²C buffer: The maximum sink current is 3 mA or slightly higher for an I²C driver supporting standard-mode I²C operation.

$$R_{up(min)} = \frac{V_{CC}}{I_{sink}} \quad (1)$$

2. The maximum transition time on the bus:

The maximum transition time, T, of an I²C bus is set by an RC time constant, where R is the pull-up resistor value, and C is the total load capacitance. The parameter, k, can be calculated from Equation 2 by solving for t, the times at which certain voltage thresholds are reached. Different input threshold combinations introduce different values of t. Table 32 summarizes the possible values of k under different threshold combinations.

Application Information (continued)

$$T = k \times RC \quad (2)$$

$$V(t) = V_{DD} \times \left(1 - e^{-\frac{t}{RC}} \right) \quad (3)$$

Table 32. Value k upon Different Input Threshold Voltages

| Vth-Vth+ | 0.7 V _{CC} | 0.65 V _{CC} | 0.6 V _{CC} | 0.55 V _{CC} | 0.5 V _{CC} | 0.45 V _{CC} | 0.4 V _{CC} | 0.35 V _{CC} | 0.3 V _{CC} |
|----------------------|---------------------|----------------------|---------------------|----------------------|---------------------|----------------------|---------------------|----------------------|---------------------|
| 0.1 V _{CC} | 1.0986 | 0.9445 | 0.8109 | 0.6931 | 0.5878 | 0.4925 | 0.4055 | 0.3254 | 0.2513 |
| 0.15 V _{CC} | 1.0415 | 0.8873 | 0.7538 | 0.6360 | 0.5306 | 0.4353 | 0.3483 | 0.2683 | 0.1942 |
| 0.2 V _{CC} | 0.9808 | 0.8267 | 0.6931 | 0.5754 | 0.4700 | 0.3747 | 0.2877 | 0.2076 | 0.1335 |
| 0.25 V _{CC} | 0.9163 | 0.7621 | 0.6286 | 0.5108 | 0.4055 | 0.3102 | 0.2231 | 0.1431 | 0.0690 |
| 0.3 V _{CC} | 0.8473 | 0.6931 | 0.5596 | 0.4418 | 0.3365 | 0.2412 | 0.1542 | 0.0741 | |

From Equation 1, $R_{up(min)} = 5.5 \text{ V} / 3 \text{ mA} = 1.83 \text{ k}\Omega$ to operate the bus under a 5-V pull-up voltage and provide less than 3 mA when the I²C device is driving the bus to a low state. If a higher sink current, for example 4 mA, is allowed, $R_{up(min)}$ can be as low as 1.375 k Ω .

If DDC working at standard mode of 100 Kbps, the maximum transition time T is fixed, 1 μ s, and using the k values from Table 32, the recommended maximum total resistance of the pull-up resistors on an I²C bus can be calculated for different system setups. If DDC working at fast mode of 400 Kbps, the transition time should be set at 300 ns according to I²C specification.

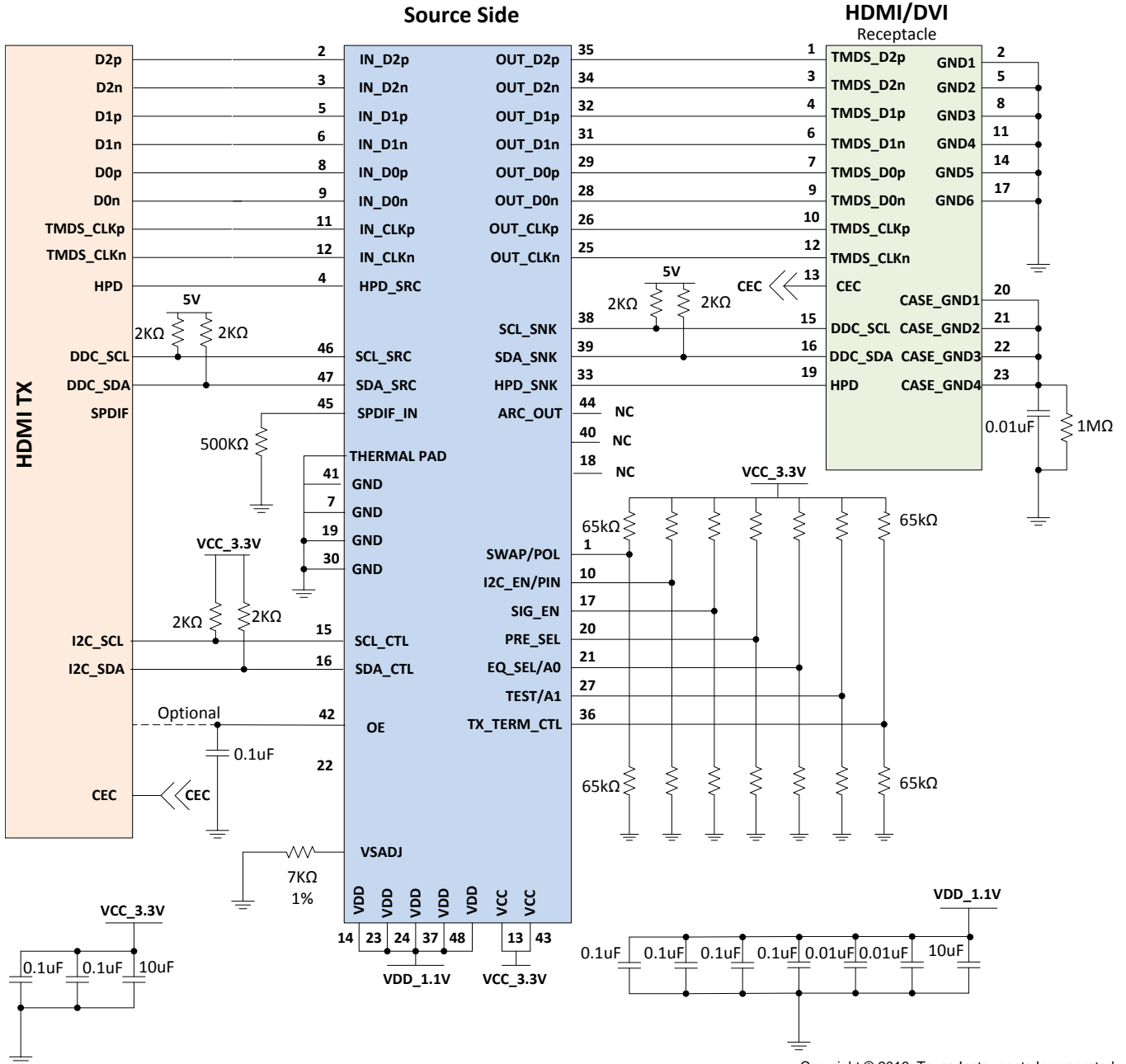
To support the maximum load capacitance specified in the HDMI spec, $C_{cable(max)} = 700 \text{ pF}/C_{(source)} = 50 \text{ pF}/C_i = 50 \text{ pF}$, R(max) can be calculated as shown in Table 33.

Table 33. Pull-Up Resistor Upon Different Threshold Voltages and 800-pF Loads

| Vth-Vth+ | 0.7 V _{CC} | 0.65 V _{CC} | 0.6 V _{CC} | 0.55 V _{CC} | 0.5 V _{CC} | 0.45 V _{CC} | 0.4 V _{CC} | 0.35 V _{CC} | 0.3 V _{CC} | UNIT |
|----------------------|---------------------|----------------------|---------------------|----------------------|---------------------|----------------------|---------------------|----------------------|---------------------|------------|
| 0.1 V _{CC} | 1.14 | 1.32 | 1.54 | 1.8 | 2.13 | 2.54 | 3.08 | 3.84 | 4.97 | K Ω |
| 0.15 V _{CC} | 1.2 | 1.41 | 1.65 | 1.97 | 2.36 | 2.87 | 3.59 | 4.66 | 6.44 | K Ω |
| 0.2 V _{CC} | 1.27 | 1.51 | 1.8 | 2.17 | 2.66 | 3.34 | 4.35 | 6.02 | 9.36 | K Ω |
| 0.25 V _{CC} | 1.36 | 1.64 | 1.99 | 2.45 | 3.08 | 4.03 | 5.6 | 8.74 | 18.12 | K Ω |
| 0.3 V _{CC} | 1.48 | 1.8 | 2.23 | 2.83 | 3.72 | 5.18 | 8.11 | 16.87 | — | K Ω |

To accommodate the 3 mA drive current specification, a narrower threshold voltage range is required to support a maximum 800 pF load capacitance for a standard-mode I²C bus.

9.2 Source Side Application



Copyright © 2016, Texas Instruments Incorporated

Figure 57. TMDS171 in Source Side Application

Source Side Application (continued)

9.2.1 Design Requirements

The TMDS171 can be designed into many different applications. In all the applications there are certain requirements for the system to work properly. Two voltage rails are required in order to support lowest power consumption possible. OE pin must have a 200 nF capacitor to ground. This pin can be driven by a processor but the pin needs to change states after voltage rails have stabilized. The best way to configure the device is by using I²C but pin strapping is also provided as I²C is not available in all cases. As sources may have many different naming conventions it is necessary to confirm that the link between the source and the TMDS171 are correctly mapped. A Swap function is provide for the input pins incase signaling if reversed between source and device. [Table 34](#) provides information on expected values in order to perform properly.

Table 34. Design Parameters

| PARAMETER | VALUE |
|----------------------------------|--|
| V _{CC} | 3.3 V |
| V _{DD} | 1.2 V |
| Main Link Input Voltage | V _{ID} = 75 mV _{PP} to 1.4 V _{PP} |
| Control Pin Max Voltage for Low | 65 kΩ pulldown |
| Control Pin Voltage Range Mid | Left Not Connected/Floating |
| Control Pin Min Voltage for High | 65 kΩ pullup |
| R _(VSADJ) Resistor | 7.06 kΩ 1% |

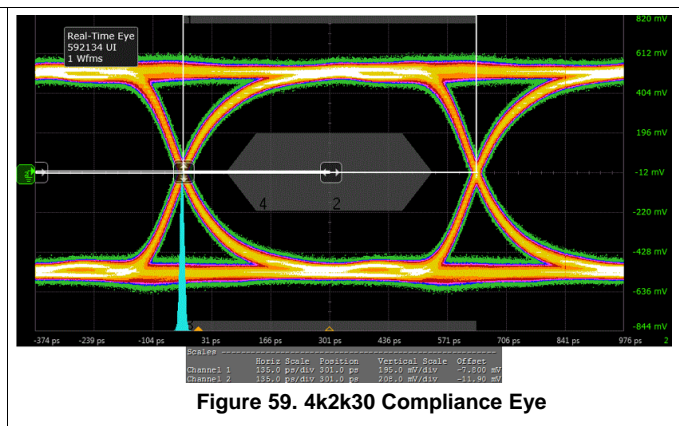
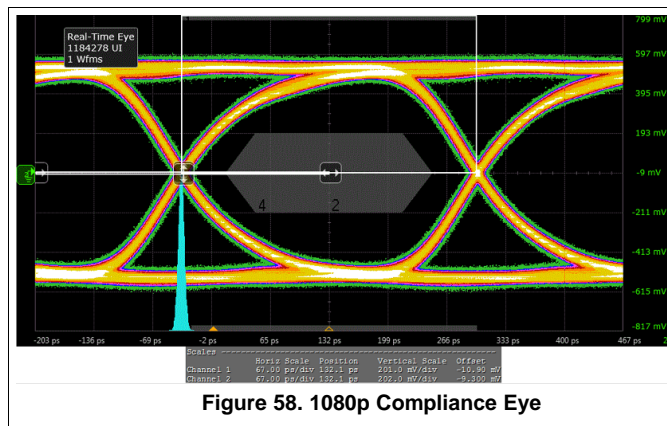
9.2.2 Detailed Design Procedure

The TMDS171 is a signal conditioning device that provides several forms of signal conditioning in order to support compliance for HDMI or DVI at a source connector. These forms of signal conditioning are accomplished using receive equalization, retiming, and output driver configurability. The transmitter will drive 2-3" of board trace and connector when compliance is required at the connector.

To design in the TMDS171 the following need to be understood for a source side application:

- Determine the loss profile between the GPU/chipset and the HDMI/DVI connector.
- Based upon this loss profile and signal swing determine optimal location for the TMDS171, in order to pass source electrical compliance. Usually within 2"-3" of the connector
- Use the typical application [Figure 57](#) for information on control pin resistors.
- The TMDS171 has a receiver adaptive equalizer but can also be configured using EQ_SEL control pin.
- Set the VOD, Pre-emphasis, termination, and edge rate levels appropriately to support compliance by using the appropriate VSADJ resistor value and setting PRE_SEL, and TX_TERM_CTL control pins.
- The thermal pad must be connected to ground.
- See [Figure 57](#) for recommended decouple capacitors from V_{CC} and V_{DD} pins to Ground

9.2.3 Application Curves



9.2.4 Sink Side Application

For a sink side application HPD needs consideration. The TMDS171 drives the HPD signal to 3.3V which meetings requirements but if 5 V HPD signaling is required the two circuits shown in Figure 60 are required. As sources are not consistent in implementing all aspects of the DDC link it is recommended to configure the TMDS171 as per Figure 60. Another consideration in relationship to how HPD is implemented is the architecture and behavior of the HDMI RX/Scalar.

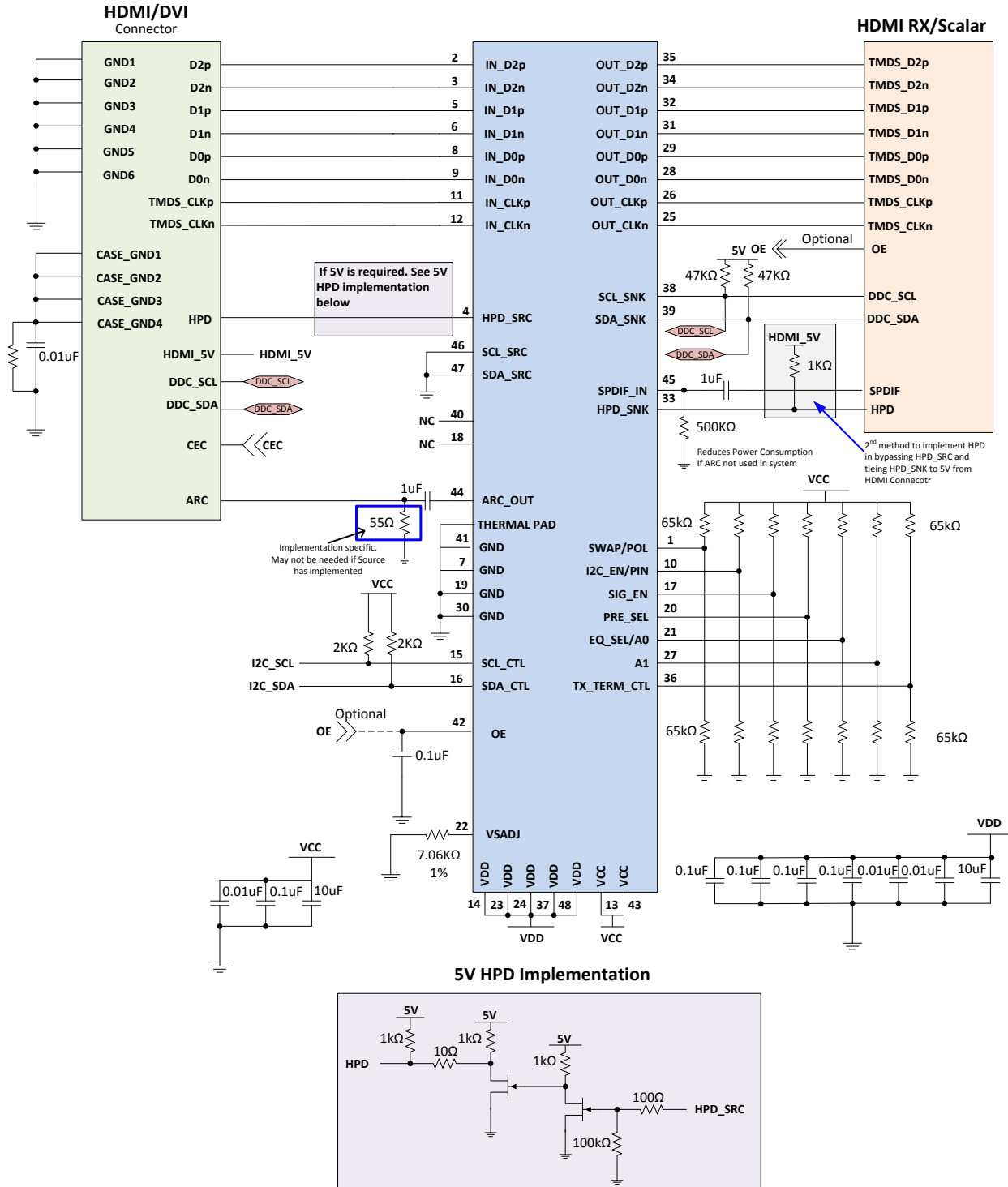


Figure 60. TMDS171 in Sink Side Application, 5 V HPD Implementation

9.2.4.1 Design Requirements

See [Table 35](#) for the Sink Side design example parameters.

Table 35. Design Parameters

| PARAMETER | VALUE |
|----------------------------------|---|
| V_{CC} | 3.3 V |
| V_{DD} | 1.2 V |
| Main Link Input Voltage | $V_{ID} = 75 \text{ mV}_{PP}$ to 1.4 V_{PP} |
| Control Pin Max Voltage for Low | 65 k Ω pulldown |
| Control Pin Voltage Range Mid | Left Not Connected/Floating |
| Control Pin Min Voltage for High | 65 k Ω pullup |
| $R_{(VSADJ)}$ Resistor | 7.06 k Ω 1% |

9.2.4.2 Detailed Design Procedure

To design in the TMDS171 the following need to be understood for a source side application.

- Determine the loss profile between the RX/chipset and the HDMI/DVI connector.
- Based upon this loss profile and signal swing determine optimal location for the TMDS171, in order to pass sink electrical compliance.
- Use the typical application [Figure 56](#) for information on control pin resistors.
- The TMDS171 has a receiver adaptive equalizer but can also be configured using EQ_SEL control pin.
- Set the VOD, Pre-emphasis, termination, and edge rate levels appropriately to support link between TMDS171 and HDMI RX/Chipset by using the appropriate VSADJ resistor value and setting PRE_SEL and TX_TERM_CTL control pins.
- The thermal pad must be connected to ground.
- See [Figure 60](#) for recommended decouple caps from V_{CC} and V_{DD} pins to Ground.

9.3 System Examples

Another way to configure sink application is to configure the sink as per Figure 61. This is done as not all sources are supporting clock stretching as per standard.

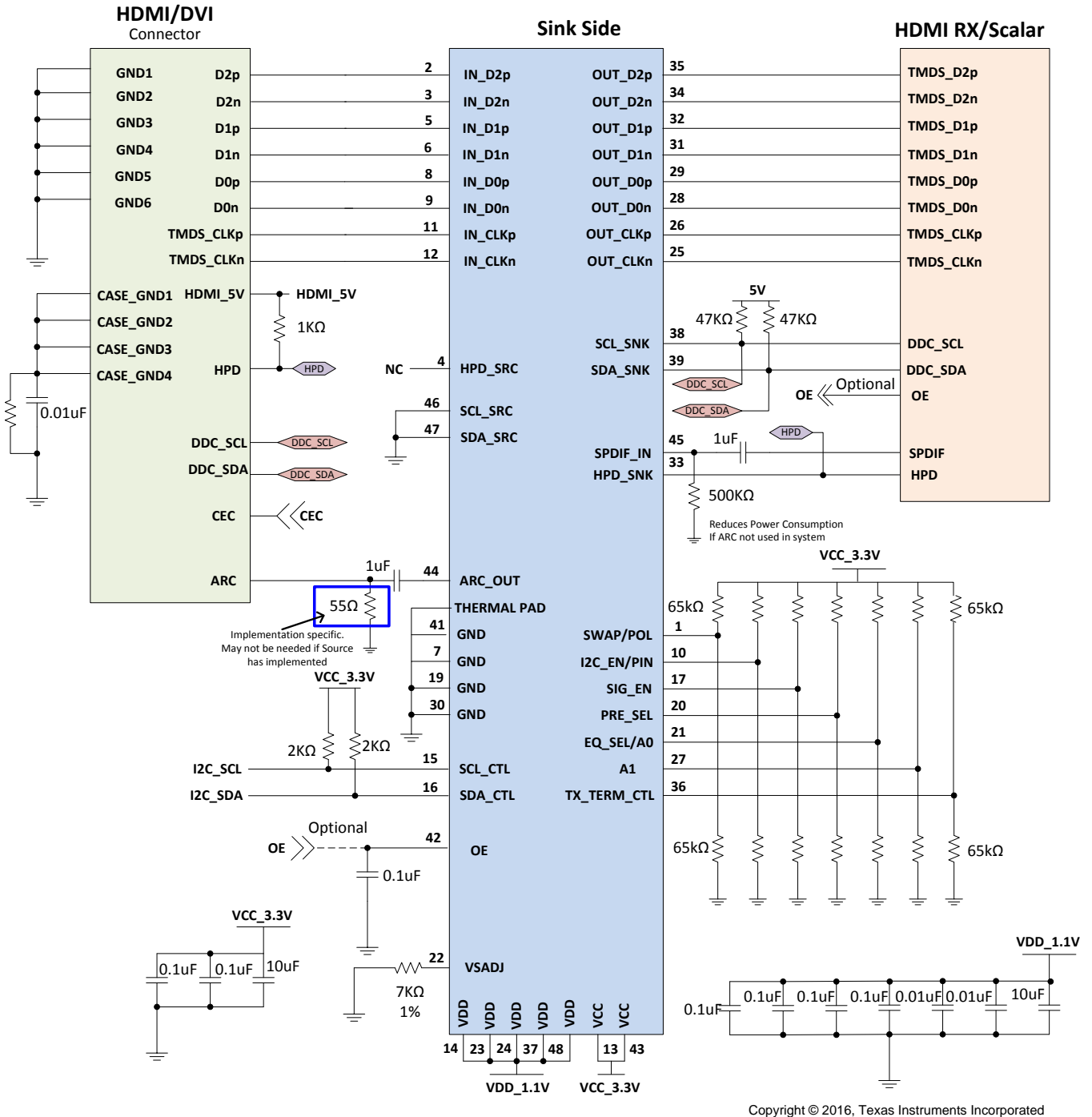


Figure 61. TMDS171 in Sink Side Application

10 Power Supply Recommendations

To minimize the power consumption of customer application, TMDS171 used the dual power supply. V_{CC} is 3.3 V with 5% range to support the I/O voltage. The V_{DD} is 1.2 V with 1.1 V to 1.27 V range to supply the internal digital control circuit. TMDS171 operates in 3 different working states.

- o Power down Mode:
 - OE = Low puts the device into its lowest power state by shutting down all function blocks.
 - When OE is re-asserted the transitions from L→H will create a reset and if the device is programmed through I²C it must to be reprogrammed.
 - Writing a 1 to register 09h[3].
 - OE = High, HPD_SNK = Low
- Standby Mode: HPD_SNK = High but no valid clock signal detect on clock lane.
- Normal operation: Working in Redriver or Retimer
- When HPD assert, the device CDR and output will enable based on the signal detector circuit result.
- HPD_SRC = HPD_SNK in all conditions.

Table 36. Power Up and Operation Timing Requirements

| INPUTS | | | | | STATUS | | | | | | |
|---------|----|--------|---------------------|---------------|---------|--|-----------------|-------------------|----------|---------|----------------------------------|
| HPD_SNK | OE | SIG_EN | IN_CLK | Device Mode | HPD_SRC | IN_Dx | SDA/ SCL_CTL | OUT_Dx OUT_CLK | DDC | ARC | Mode |
| X | L | H or L | X | X | H | RX Termination On | Disable | High-Z | Disabled | Disable | Power Down Mode |
| L | H | H or L | X | X | L | RX Termination On | Active | High-Z | Disabled | Disable | Power Down Mode |
| H | H | H or L | X | X | H | RX Termination On | Active | High-Z | Disabled | Disable | Power Down Mode by W 1 to 09h[3] |
| H | H | H | No Valid TMDS Clock | X | H | D0-D2 disabled with RX Termination On, IN_CLK Active | Active | High-Z | Active | Active | Standby Mode (Squelch waiting) |
| H | H | H or L | No Valid TMDS Clock | Retimer mode | H | D0-D2 disabled with RX Termination On, IN_CLK Active | Active | High-Z | Active | Active | Standby Mode (Squelch waiting) |
| H | H | H | Valid TMDS Clock | Retimer mode | H | RX Active | Active | TX Active | Active | Active | Normal operation |
| H | H | H or L | No Valid TMDS Clock | Redriver mode | H | RX Active | Active | TX Active | Active | Active | Normal operation |

11 Layout

11.1 Layout Guidelines

On a high-K board – It is always recommended to solder the PowerPAD™ onto the thermal land. A thermal land is the area of solder-tinned-copper underneath the PowerPAD™ package. On a high-K board the TMDS171 can operate over the full temperature range by soldering the PowerPAD onto the thermal land without vias.

On a low-K board – In order for the device to operate across the temperature range on a low-K board, a 1-oz Cu trace connecting the GND pins to the thermal land must be used. A simulation shows $R_{\theta JA} = 100.84^{\circ}\text{C/W}$ allowing 545 mW power dissipation at 70°C ambient temperature.

A general PCB design guide for PowerPAD packages is provided in the document SLMA002 - PowerPAD Thermally Enhanced Package.

TI recommends six layers as the TMDS171 is a two voltage rail device.

- Routing the high-speed TMDS traces on the top layer avoids the use of vias. (and the introduction of their inductances) and allows for clean interconnects from the HDMI connectors to the retimer inputs and outputs. It is important to match the electrical length of these high speed traces to minimize both inter-pair and intra-pair skew.
- Placing a solid ground plane next to the high-speed signal layer establishes controlled impedance for transmission link interconnects and provides an excellent low –inductance path for the return current flow.
- Placing a power plane next to the ground plane creates an additional high-frequency bypass capacitance.
- Routing slower speed control signals on the bottom layer allows for greater flexibility as these signal links usually have margin to tolerate discontinuities such as vias.
- If an additional supply voltage plane or signal layer is needed, add a second power/ground plane system to the stack to keep symmetry. This makes the stack mechanically stable and prevents it from warping. Also the power and ground plane of each power system can be placed closer together, thus increasing the high frequency bypass capacitance significantly.

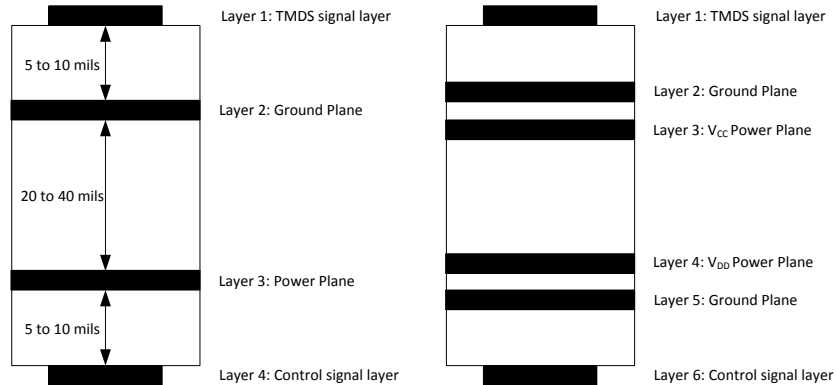
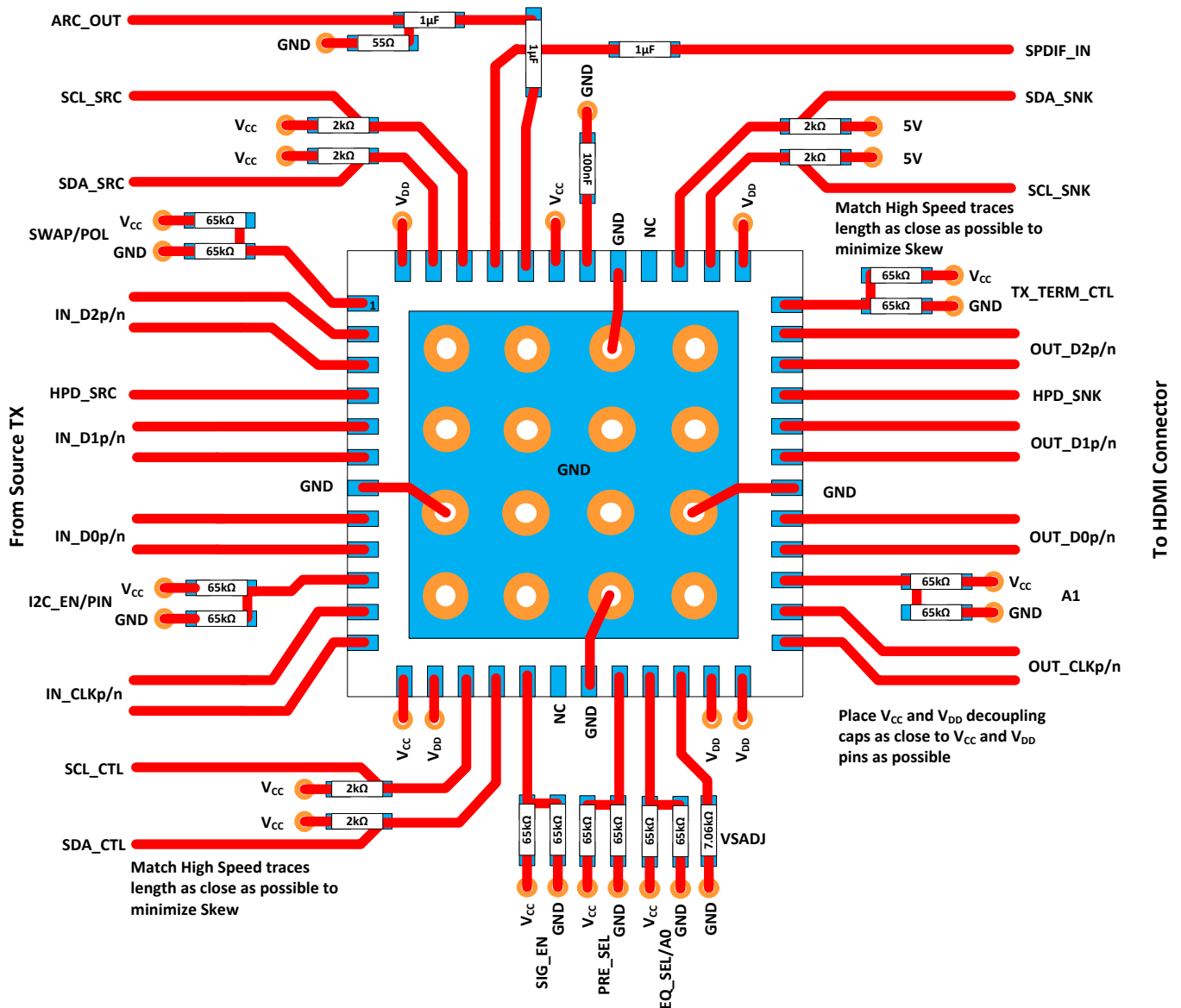


Figure 62. Recommended 4 or 6 Layer PCB Stack

11.2 Layout Example



- (1) If ARC is not used a 500kΩ resistor should be tied to GND at the SPDIF_IN pin
- (2) The 55-Ω resistor to GND on the ARC_OUT pin is implementation specific and may not be needed if it is already implemented elsewhere.

Figure 63. Layout

12 Device and Documentation Support

12.1 Related Documentation

[HDMI] High-definition Multimedia Interface Specification Version 1.4b October, 2011

[HDMI] High-definition Multimedia Interface CTS Version 1.4b October, 2011

[I2C] The I2C-Bus specification version 2.1 January 2000

12.2 Receiving Notification of Documentation Updates

To receive notification of documentation updates, navigate to the device product folder on ti.com. In the upper right corner, click on *Alert me* to register and receive a weekly digest of any product information that has changed. For change details, review the revision history included in any revised document.

12.3 Community Resources

The following links connect to TI community resources. Linked contents are provided "AS IS" by the respective contributors. They do not constitute TI specifications and do not necessarily reflect TI's views; see TI's [Terms of Use](#).

TI E2E™ Online Community *TI's Engineer-to-Engineer (E2E) Community*. Created to foster collaboration among engineers. At e2e.ti.com, you can ask questions, share knowledge, explore ideas and help solve problems with fellow engineers.

Design Support *TI's Design Support* Quickly find helpful E2E forums along with design support tools and contact information for technical support.

12.4 Trademarks

PowerPAD, E2E are trademarks of Texas Instruments.
is a trademark of ~HDMI.

12.5 Electrostatic Discharge Caution



These devices have limited built-in ESD protection. The leads should be shorted together or the device placed in conductive foam during storage or handling to prevent electrostatic damage to the MOS gates.

12.6 Glossary

[SPLY022](#) — *TI Glossary*.

This glossary lists and explains terms, acronyms, and definitions.

13 Mechanical, Packaging, and Orderable Information

The following pages include mechanical, packaging, and orderable information. This information is the most current data available for the designated devices. This data is subject to change without notice and revision of this document. For browser-based versions of this data sheet, refer to the left-hand navigation.

PACKAGING INFORMATION

| Orderable Device | Status (1) | Package Type | Package Drawing | Pins | Package Qty | Eco Plan (2) | Lead/Ball Finish (6) | MSL Peak Temp (3) | Op Temp (°C) | Device Marking (4/5) | Samples |
|------------------|---------------|--------------|-----------------|------|-------------|-------------------------|-------------------------|----------------------|--------------|-------------------------|-------------------------|
| TMDS1711RGZR | ACTIVE | VQFN | RGZ | 48 | 2500 | Green (RoHS & no Sb/Br) | CU NIPDAU | Level-3-260C-168 HR | -40 to 85 | TMDS1711 | Samples |
| TMDS1711RGZT | ACTIVE | VQFN | RGZ | 48 | 250 | Green (RoHS & no Sb/Br) | CU NIPDAU | Level-3-260C-168 HR | -40 to 85 | TMDS1711 | Samples |
| TMDS171RGZR | ACTIVE | VQFN | RGZ | 48 | 2500 | Green (RoHS & no Sb/Br) | CU NIPDAU | Level-3-260C-168 HR | 0 to 70 | TMDS171 | Samples |
| TMDS171RGZT | ACTIVE | VQFN | RGZ | 48 | 250 | Green (RoHS & no Sb/Br) | CU NIPDAU | Level-3-260C-168 HR | 0 to 70 | TMDS171 | Samples |

(1) The marketing status values are defined as follows:

ACTIVE: Product device recommended for new designs.

LIFEBUY: TI has announced that the device will be discontinued, and a lifetime-buy period is in effect.

NRND: Not recommended for new designs. Device is in production to support existing customers, but TI does not recommend using this part in a new design.

PREVIEW: Device has been announced but is not in production. Samples may or may not be available.

OBSOLETE: TI has discontinued the production of the device.

(2) **RoHS:** TI defines "RoHS" to mean semiconductor products that are compliant with the current EU RoHS requirements for all 10 RoHS substances, including the requirement that RoHS substance do not exceed 0.1% by weight in homogeneous materials. Where designed to be soldered at high temperatures, "RoHS" products are suitable for use in specified lead-free processes. TI may reference these types of products as "Pb-Free".

RoHS Exempt: TI defines "RoHS Exempt" to mean products that contain lead but are compliant with EU RoHS pursuant to a specific EU RoHS exemption.

Green: TI defines "Green" to mean the content of Chlorine (Cl) and Bromine (Br) based flame retardants meet JS709B low halogen requirements of <=1000ppm threshold. Antimony trioxide based flame retardants must also meet the <=1000ppm threshold requirement.

(3) MSL, Peak Temp. - The Moisture Sensitivity Level rating according to the JEDEC industry standard classifications, and peak solder temperature.

(4) There may be additional marking, which relates to the logo, the lot trace code information, or the environmental category on the device.

(5) Multiple Device Markings will be inside parentheses. Only one Device Marking contained in parentheses and separated by a "-" will appear on a device. If a line is indented then it is a continuation of the previous line and the two combined represent the entire Device Marking for that device.

(6) Lead/Ball Finish - Orderable Devices may have multiple material finish options. Finish options are separated by a vertical ruled line. Lead/Ball Finish values may wrap to two lines if the finish value exceeds the maximum column width.

Important Information and Disclaimer: The information provided on this page represents TI's knowledge and belief as of the date that it is provided. TI bases its knowledge and belief on information provided by third parties, and makes no representation or warranty as to the accuracy of such information. Efforts are underway to better integrate information from third parties. TI has taken and

continues to take reasonable steps to provide representative and accurate information but may not have conducted destructive testing or chemical analysis on incoming materials and chemicals. TI and TI suppliers consider certain information to be proprietary, and thus CAS numbers and other limited information may not be available for release.

In no event shall TI's liability arising out of such information exceed the total purchase price of the TI part(s) at issue in this document sold by TI to Customer on an annual basis.

TAPE AND REEL INFORMATION



QUADRANT ASSIGNMENTS FOR PIN 1 ORIENTATION IN TAPE



*All dimensions are nominal

| Device | Package Type | Package Drawing | Pins | SPQ | Reel Diameter (mm) | Reel Width W1 (mm) | A0 (mm) | B0 (mm) | K0 (mm) | P1 (mm) | W (mm) | Pin1 Quadrant |
|--------------|--------------|-----------------|------|------|--------------------|--------------------|---------|---------|---------|---------|--------|---------------|
| TMDS171IRGZR | VQFN | RGZ | 48 | 2500 | 330.0 | 16.4 | 7.3 | 7.3 | 1.1 | 12.0 | 16.0 | Q2 |
| TMDS171IRGZT | VQFN | RGZ | 48 | 250 | 180.0 | 16.4 | 7.3 | 7.3 | 1.1 | 12.0 | 16.0 | Q2 |
| TMDS171RGZR | VQFN | RGZ | 48 | 2500 | 330.0 | 16.4 | 7.3 | 7.3 | 1.1 | 12.0 | 16.0 | Q2 |
| TMDS171RGZT | VQFN | RGZ | 48 | 250 | 180.0 | 16.4 | 7.3 | 7.3 | 1.1 | 12.0 | 16.0 | Q2 |

TAPE AND REEL BOX DIMENSIONS


*All dimensions are nominal

| Device | Package Type | Package Drawing | Pins | SPQ | Length (mm) | Width (mm) | Height (mm) |
|--------------|--------------|-----------------|------|------|-------------|------------|-------------|
| TMDS1711RGZR | VQFN | RGZ | 48 | 2500 | 367.0 | 367.0 | 38.0 |
| TMDS1711RGZT | VQFN | RGZ | 48 | 250 | 210.0 | 185.0 | 35.0 |
| TMDS171RGZR | VQFN | RGZ | 48 | 2500 | 367.0 | 367.0 | 38.0 |
| TMDS171RGZT | VQFN | RGZ | 48 | 250 | 210.0 | 185.0 | 35.0 |

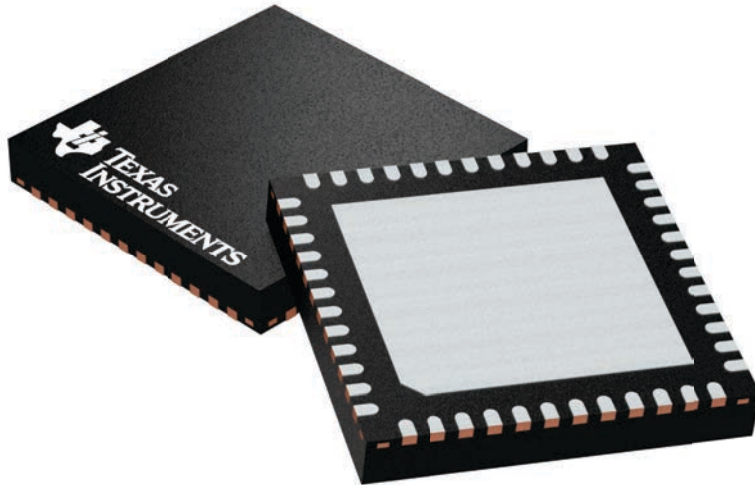
GENERIC PACKAGE VIEW

RGZ 48

VQFN - 1 mm max height

7 x 7, 0.5 mm pitch

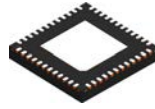
PLASTIC QUADFLAT PACK- NO LEAD



Images above are just a representation of the package family, actual package may vary.
Refer to the product data sheet for package details.

4224671/A

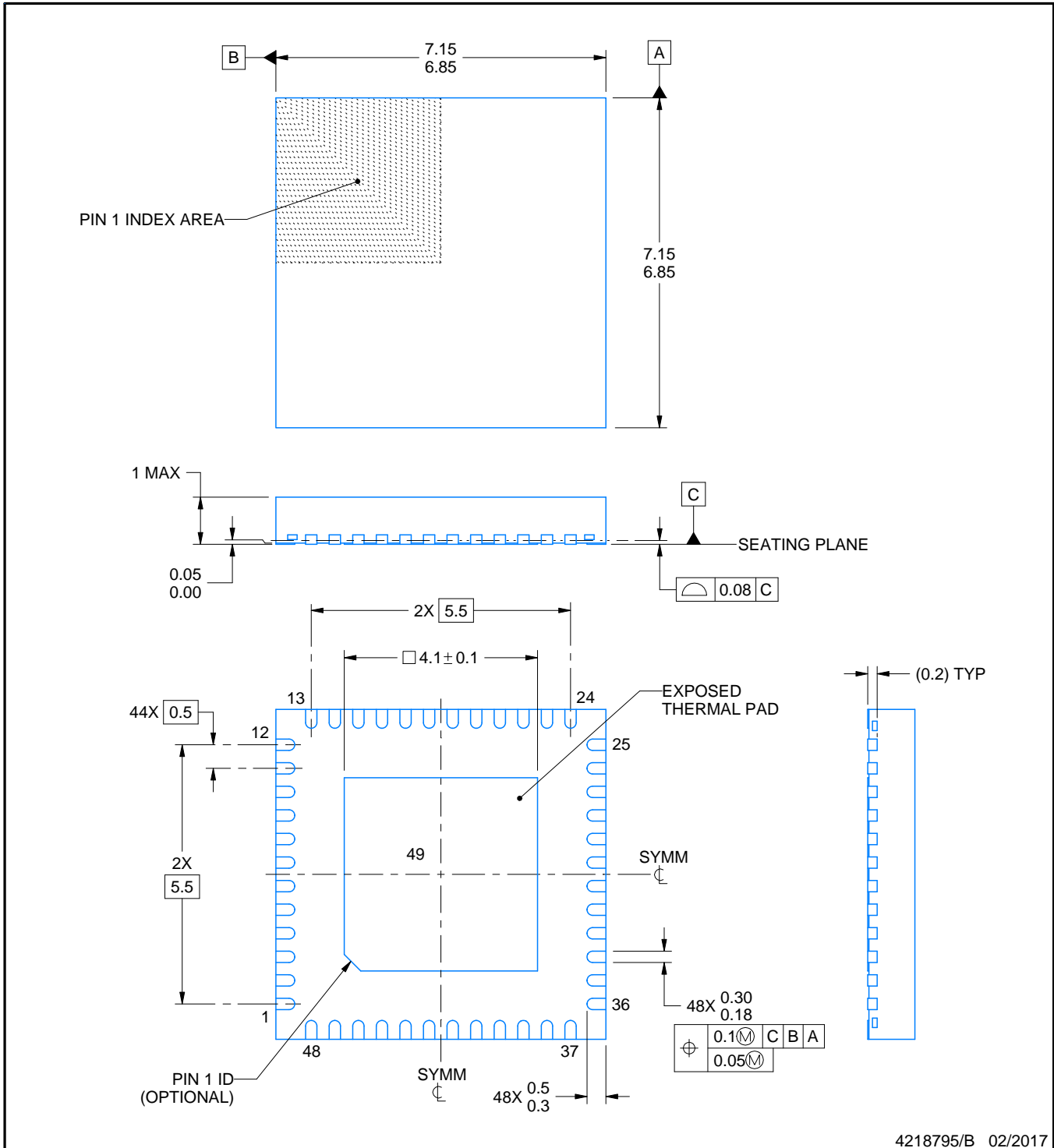
RGZ0048B



PACKAGE OUTLINE

VQFN - 1 mm max height

PLASTIC QUAD FLATPACK - NO LEAD



4218795/B 02/2017

NOTES:

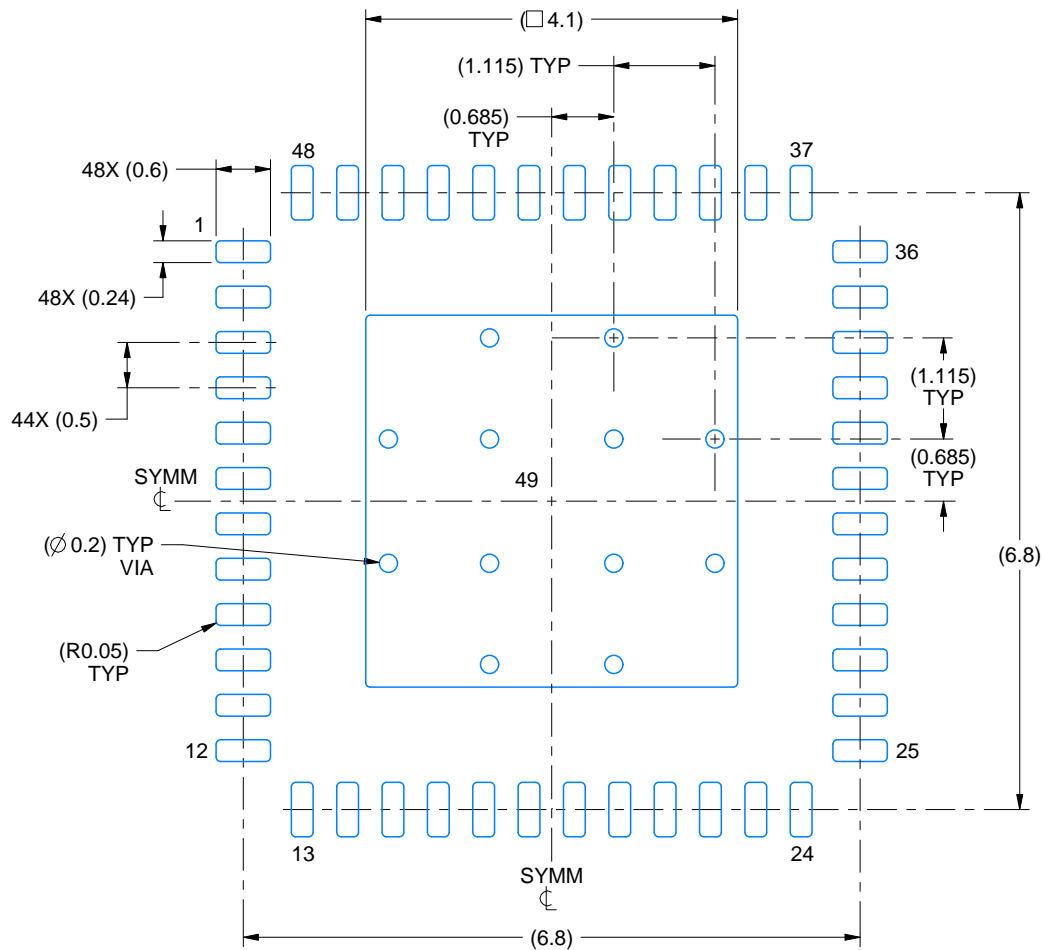
1. All linear dimensions are in millimeters. Any dimensions in parenthesis are for reference only. Dimensioning and tolerancing per ASME Y14.5M.
2. This drawing is subject to change without notice.
3. The package thermal pad must be soldered to the printed circuit board for thermal and mechanical performance.

EXAMPLE BOARD LAYOUT

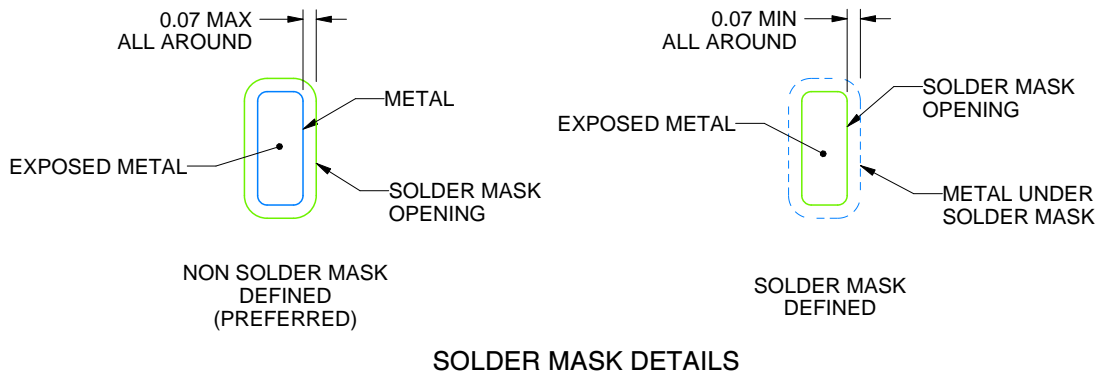
RGZ0048B

VQFN - 1 mm max height

PLASTIC QUAD FLATPACK - NO LEAD



LAND PATTERN EXAMPLE
EXPOSED METAL SHOWN
SCALE:12X



SOLDER MASK DETAILS

4218795/B 02/2017

NOTES: (continued)

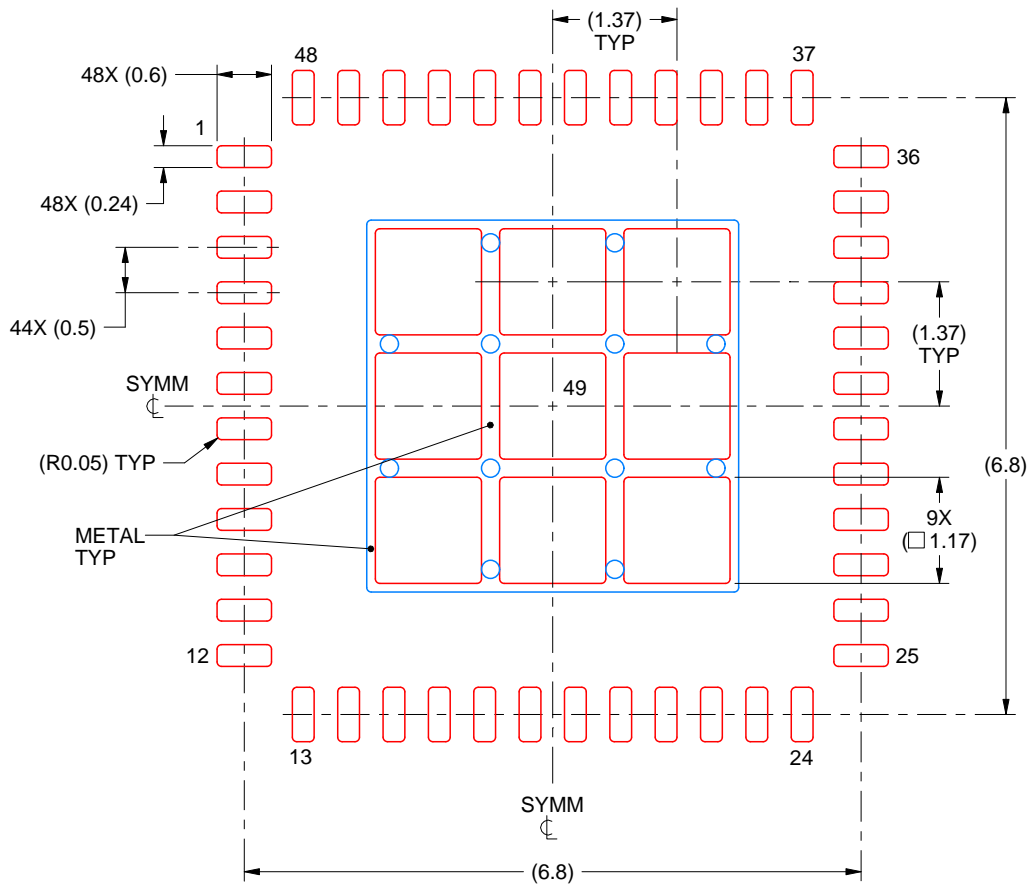
4. This package is designed to be soldered to a thermal pad on the board. For more information, see Texas Instruments literature number SLUA271 (www.ti.com/lit/sluea271).
5. Vias are optional depending on application, refer to device data sheet. If any vias are implemented, refer to their locations shown on this view. It is recommended that vias under paste be filled, plugged or tented.

EXAMPLE STENCIL DESIGN

RGZ0048B

VQFN - 1 mm max height

PLASTIC QUAD FLATPACK - NO LEAD



SOLDER PASTE EXAMPLE
 BASED ON 0.125 mm THICK STENCIL

EXPOSED PAD 49
 73% PRINTED SOLDER COVERAGE BY AREA UNDER PACKAGE
 SCALE:12X

4218795/B 02/2017

NOTES: (continued)

- 6. Laser cutting apertures with trapezoidal walls and rounded corners may offer better paste release. IPC-7525 may have alternate design recommendations.

IMPORTANT NOTICE AND DISCLAIMER

TI PROVIDES TECHNICAL AND RELIABILITY DATA (INCLUDING DATASHEETS), DESIGN RESOURCES (INCLUDING REFERENCE DESIGNS), APPLICATION OR OTHER DESIGN ADVICE, WEB TOOLS, SAFETY INFORMATION, AND OTHER RESOURCES "AS IS" AND WITH ALL FAULTS, AND DISCLAIMS ALL WARRANTIES, EXPRESS AND IMPLIED, INCLUDING WITHOUT LIMITATION ANY IMPLIED WARRANTIES OF MERCHANTABILITY, FITNESS FOR A PARTICULAR PURPOSE OR NON-INFRINGEMENT OF THIRD PARTY INTELLECTUAL PROPERTY RIGHTS.

These resources are intended for skilled developers designing with TI products. You are solely responsible for (1) selecting the appropriate TI products for your application, (2) designing, validating and testing your application, and (3) ensuring your application meets applicable standards, and any other safety, security, or other requirements. These resources are subject to change without notice. TI grants you permission to use these resources only for development of an application that uses the TI products described in the resource. Other reproduction and display of these resources is prohibited. No license is granted to any other TI intellectual property right or to any third party intellectual property right. TI disclaims responsibility for, and you will fully indemnify TI and its representatives against, any claims, damages, costs, losses, and liabilities arising out of your use of these resources.

TI's products are provided subject to TI's Terms of Sale (www.ti.com/legal/termsofsale.html) or other applicable terms available either on ti.com or provided in conjunction with such TI products. TI's provision of these resources does not expand or otherwise alter TI's applicable warranties or warranty disclaimers for TI products.

Mailing Address: Texas Instruments, Post Office Box 655303, Dallas, Texas 75265
Copyright © 2018, Texas Instruments Incorporated