



EN

TME-M710

6.5-INCH WIDE LCD MONITOR

- **OWNER'S MANUAL**
Please read before using this equipment.
- **MODE D'EMPLOI**
Veuillez lire avant d'utiliser cet appareil.
- **MANUAL DE OPERACIÓN**
Léalo antes de utilizar este equipo.

FR

ES

ALPINE ELECTRONICS MARKETING, INC.
1-1-8 Nishi Gotanda,
Shinagawa-ku, Tokyo 141-0031, Japan
Phone 03-5496-8231

ALPINE ELECTRONICS OF AMERICA, INC.
19145 Gramercy Place, Torrance,
California 90501, U.S.A.
Phone 1-800-ALPINE-1 (1-800-257-4631)

ALPINE ELECTRONICS OF CANADA, INC.
777 Supertest Road, Toronto, Ontario M3J 2M9,
Canada
Phone 1-800-ALPINE-1 (1-800-257-4631)

ALPINE ELECTRONICS OF AUSTRALIA PTY. LTD.
161-165 Princes Highway, Hallam
Victoria 3803, Australia
Phone 03-8787-1200

ALPINE ELECTRONICS GmbH
Frankfurter Ring 117, 80807 München,
Germany
Phone 089-32 42 640

ALPINE ELECTRONICS OF U.K. LTD.
Alpine House
Fletchamstead Highway,
Coventry CV4 9TW, U.K.
Phone 0870-33 33 763

ALPINE ELECTRONICS FRANCE S.A.R.L.
(RCS PONTOISE B 338 101 280)
98, Rue de la Belle Etoile, Z.I. Paris
Nord II, B.P. 50016, 95945 Roissy
Charles de Gaulle Cedex, France
Phone 01-48638989

ALPINE ITALIA S.p.A.
Viale C. Colombo 8, 20090 Trezzano
Sul Naviglio (MI), Italy
Phone 02-484781

ALPINE ELECTRONICS DE ESPAÑA, S.A.
Portal de Gamarra 36, Pabellón, 32
01013 Vitoria (Alava) - APDO 133, Spain
Phone 945-283588

Contents

Operating Instructions

WARNING

WARNING	2
CAUTION	3
PRECAUTIONS	3

Basic Operation

Screen Display ON/OFF	4
Adjusting the Volume	4
Switching the Source	4
Switching the Screen Position	4
Switching the display mode	5
Adjusting	5

Information

In Case of Difficulty	9
Specifications	10

Installation and Connections

Warning	11
Caution	11
Precautions	12
Installation	13
Connections	14

LIMITED WARRANTY

WARNING

WARNING

This symbol means important instructions. Failure to heed them can result in serious injury or death.

DO NOT OPERATE ANY FUNCTION THAT TAKES YOUR ATTENTION AWAY FROM SAFELY DRIVING YOUR VEHICLE.

Any function that requires your prolonged attention should only be performed after coming to a complete stop. Always stop the vehicle in a safe location before performing these functions. Failure to do so may result in an accident.

KEEP THE VOLUME AT A LEVEL WHERE YOU CAN STILL HEAR OUTSIDE NOISE WHILE DRIVING.

Failure to do so may result in an accident.

MINIMIZE DISPLAY VIEWING WHILE DRIVING.

Viewing the display may distract the driver from looking ahead of the vehicle and cause an accident.

DO NOT DISASSEMBLE OR ALTER.

Doing so may result in an accident, fire or electric shock.

USE THIS PRODUCT FOR MOBILE 12V APPLICATIONS.

Use for other than its designed application may result in fire, electric shock or other injury.

KEEP SMALL OBJECTS SUCH AS BATTERY OUT OF THE REACH OF CHILDREN.

Swallowing them may result in serious injury. If swallowed, consult a physician immediately.

USE THE CORRECT AMPERE RATING WHEN REPLACING FUSES.

Failure to do so may result in fire or electric shock.

DO NOT WATCH VIDEO WHILE DRIVING.

Watching the video may distract the driver from looking ahead of the vehicle and cause an accident.

INSTALL THE PRODUCT CORRECTLY SO THAT THE DRIVER CANNOT WATCH TV/VIDEO UNLESS THE VEHICLE IS STOPPED AND THE EMERGENCY BRAKE IS APPLIED.

It is dangerous (and illegal in many states) for the driver to watch TV/Video while driving a vehicle. Installing this product incorrectly enables the driver to watch TV/Video while driving. This may cause a distraction, preventing the driver from looking ahead, thus causing an accident. The driver or other people could be severely injured.

CAUTION

This symbol means important instructions. Failure to heed them can result in injury or material property damage.

HALT USE IMMEDIATELY IF A PROBLEM APPEARS.

Failure to do so may cause personal injury or damage to the product. Return it to your authorized Alpine dealer or the nearest Alpine Service Center for repairing.

PRECAUTIONS

Temperature

Be sure the temperature inside the vehicle is between +45°C (+113°F) and 0°C (+32°F) before turning your unit on.

Fuse Replacement

When replacing the fuse(s), the replacement must be of the same amperage as shown on the fuse holder. If the fuse(s) blows more than once, carefully check all electrical connections for shorted circuitry. Also have your vehicle's voltage regulator checked.

Maintenance

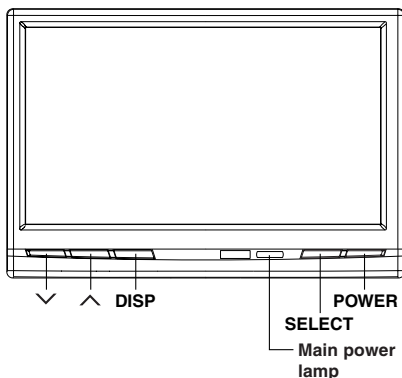
If you have problems, do not attempt to repair the unit yourself. Return it to your Alpine dealer or the nearest Alpine Service Station for servicing.

Installation Location

Make sure the TME-M710 will not be exposed to:

- Direct sun and heat
- High humidity
- Excessive dust
- Excessive vibrations
- After turning the system off, a slight ghost of the image will remain temporarily. This is an effect peculiar to LCD technology and is normal.
- Under cold temperature conditions, the screen may lose contrast temporarily. After a short warm-up period, it will return to normal.

Basic Operation



Switching the Screen Position

If the screen is out of position when, for example, navigation system is connected to the AUX IN 1 or AUX IN 2 terminal by using the RCA extension cable, switch the screen position.

- 1 Switch the mode to AUX1 or AUX2 to display the navigation screen.
- 2 Press and hold the **DISP** button for at least 2 seconds.
Press and hold the **DISP** button again for at least 2 seconds to return the position.

Screen Display ON/OFF

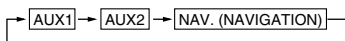
- 1 Press the **POWER** button.
- 2 To turn off the POWER, press the **POWER** button again.
 - If properly connected, the monitors main POWER will turn off when the vehicle's ignition switch is off. If the main power lamp illuminates in the STAND BY mode, the vehicle's battery may be discharged.
 - After turning the system off, a slight ghost of the image will remain temporarily. This is an effect peculiar to LCD technology and is normal.
 - Under cold temperature conditions, the screen may lose contrast temporarily. After a short warm-up period, it will return to normal.

Adjusting the Volume

- 1 Adjust the volume level by pressing the ∨ or ∧ button.

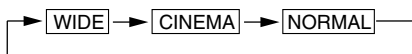
Switching the Source

- 1 Press the **SELECT** button.
Each press of the button will cycle through the modes as follows:



Switching the display mode

- 1 Press the **DISP** button.
Each press of the button will cycle through the modes as follows:



WIDE

Normal images are expanded uniformly in the horizontal direction and are displayed over the entire screen.



CINEMA

Normal images are expanded in the horizontal and vertical directions. The top and bottom of the image are cut off. This mode is suited for 16:9 cinema size images.



NORMAL

Normal image (4:3)

Adjusting

- 1 Press and hold the **SELECT** button for at least 2 seconds.
Adjustment screen will appear.
- 2 Press the **SELECT** or **DISP** button and select the mode to be adjusted.
Adjust by pressing the \wedge or \vee button.

SELECT : Selects the mode. (downward)

DISP : Selects the mode. (upward)

\wedge or \vee : Adjusts.

- ① VISUAL EQ mode (manufacturer's settings) selection (VISUAL EQ MODE)

AUX - 1	NTSC
VISUAL EQ MODE	OFF
BRIGHT	0
COLOR	0
TINT	R 10
CONTRAST	+ 10
SHARP	MIN

OFF : Default setting.

NIGHT M. : Suitable for movies with a lot of dark scenes.

SOFT : Suitable for movies with computer graphics or animation.

SHARP : Suitable for old movies whose resolution is unclear.

CONTRAST : Suitable for the latest movies.

- Set this function to "OFF" to return to the default values after changing between modes "NIGHT M." and "CONTRAST" and adjusting the image brightness, color density and so on.

- ② Brightness adjustment (BRIGHT)

AUX - 1	NTSC
VISUAL EQ MODE	OFF
BRIGHT	0
COLOR	0
TINT	R 10
CONTRAST	+ 10
SHARP	MIN

Allows the brightness (-15 (MIN)--+15 (MAX)) of the picture.

Continued

Basic Operation

③ Color depth adjustment (COLOR)

AUX - 1	NTSC
VISUAL EQ MODE	OFF
BRIGHT	0
COLOR	0
TINT	R 10
CONTRAST	+ 10
SHARP	MIN

Change depth can be adjusted from -15 (MIN) to +15 (MAX).

* Adjustment cannot be made in the NAVIGATION (RGB connection) mode.

④ Tint tone adjustment (TINT)

AUX - 1	NTSC
VISUAL EQ MODE	OFF
BRIGHT	0
COLOR	0
TINT	R 10
CONTRAST	+ 10
SHARP	MIN

Tint tone can be adjusted from G15 (G MAX) to R15 (R MAX).

* Adjustment cannot be made in the NAVIGATION (RGB connection) mode.

⑤ Contrast adjustment (CONTRAST)

AUX - 1	NTSC
VISUAL EQ MODE	OFF
BRIGHT	0
COLOR	0
TINT	R 10
CONTRAST	+ 10
SHARP	MIN

Contrast can be adjusted from -15 (LOW) to +15 (HIGH).

⑥ Screen quality adjustment (SHARP)

AUX - 1	NTSC
VISUAL EQ MODE	OFF
BRIGHT	0
COLOR	0
TINT	R 10
CONTRAST	+ 10
SHARP	SOFT

Screen quality can be adjusted from -15 (SOFT) to +15 (HARD).

* Adjustment cannot be made in the NAVIGATION (RGB connection) mode.

- If ② to ⑥ are adjusted, VISUAL EQ mode in ① changes to "CUSTOM".

⑦ Dimmer adjustment (DIMMER)

AUX - 1	NTSC
DIMMER	AUTO
DIMMER HI LEVEL	26
DIMMER LO LEVEL	MIN
SOUND OUT	MONITOR
BEEP	ON
AUX IN-1 LEVEL	HIGH
AUX IN-2 LEVEL	HIGH
NAV. IN	ON
GUIDE CONTROL	STANDARD

AUTO: Turning on/off the headlight switches the screen brightness between DIMMER HI LEVEL and DIMMER LO LEVEL.

LOW: The backlighting is set to the value adjusted at "DIMMER LO LEVEL".

HIGH: The backlighting is set to the value adjusted at "DIMMER HI LEVEL".

⑧ Dimmer HIGH level adjustment (DIMMER HI LEVEL)

AUX - 1	NTSC
DIMMER	AUTO
DIMMER HI LEVEL	26
DIMMER LO LEVEL	MIN
SOUND OUT	MONITOR
BEEP	ON
AUX IN-1 LEVEL	HIGH
AUX IN-2 LEVEL	HIGH
NAV. IN	ON
GUIDE CONTROL	STANDARD

Adjusts the HIGH LEVEL (16 (MIN) to 31 (MAX)) of the dimmer.

⑨ Dimmer LOW level adjustment (DIMMER LO LEVEL)

AUX - 1	NTSC
DIMMER	AUTO
DIMMER HI LEVEL	26
DIMMER LO LEVEL	MIN
SOUND OUT	MONITOR
BEEP	ON
AUX IN-1 LEVEL	HIGH
AUX IN-2 LEVEL	HIGH
NAV. IN	ON
GUIDE CONTROL	STANDARD

Adjusts the LOW LEVEL (0 (MIN) to 15 (MAX)) of the dimmer.

⑩ Change sound output (SOUND OUT)

AUX - 1	NTSC
DIMMER	AUTO
DIMMER HI LEVEL	26
DIMMER LO LEVEL	MIN
SOUND OUT	MONITOR
BEEP	ON
AUX IN-1 LEVEL	HIGH
AUX IN-2 LEVEL	HIGH
NAV. IN	ON
GUIDE CONTROL	STANDARD

MONITOR: Outputs sound through the built-in speakers.

HEADPHONE: Outputs sound to headphones if connected.

* Note that sound will not be output unless the audio output settings are appropriate.

⑪ Beep tone setting (BEEP)

AUX - 1		NTSC
DIMMER		AUTO
DIMMER HI LEVEL		26
DIMMER LO LEVEL		MIN
SOUND OUT		MONITOR
BEEP		ON
AUX IN-1 LEVEL		HIGH
AUX IN-2 LEVEL		HIGH
NAV. IN		ON
GUIDE CONTROL		STANDARD

ON : Beep tone sounds to inform you that the operation is accepted, when you press the button etc.

⑫ External input sound level adjustment (AUX IN-1 LEVEL/AUX IN-2 LEVEL)

AUX - 1		NTSC
DIMMER		AUTO
DIMMER HI LEVEL		26
DIMMER LO LEVEL		MIN
SOUND OUT		MONITOR
BEEP		ON
AUX IN-1 LEVEL		HIGH
AUX IN-2 LEVEL		HIGH
NAV. IN		ON
GUIDE CONTROL		STANDARD

HIGH : Sets the sound level at a high level.

LOW : Reduces the sound level.

⑬ Navigation settings (NAV. IN)

AUX - 1		NTSC
DIMMER		AUTO
DIMMER HI LEVEL		26
DIMMER LO LEVEL		MIN
SOUND OUT		MONITOR
BEEP		ON
AUX IN-1 LEVEL		HIGH
AUX IN-2 LEVEL		HIGH
NAV. IN		OFF

When the navigation is connected to the RGB terminal, set to ON.

⑭ Guide control setting (GUIDE CONTROL)

AUX - 1		NTSC
DIMMER		AUTO
DIMMER HI LEVEL		26
DIMMER LO LEVEL		MIN
SOUND OUT		MONITOR
BEEP		ON
AUX IN-1 LEVEL		HIGH
AUX IN-2 LEVEL		HIGH
NAV. IN		ON
GUIDE CONTROL		STANDARD

It is audio interruption setting for the navigation system.

Be sure to set to "STANDARD".

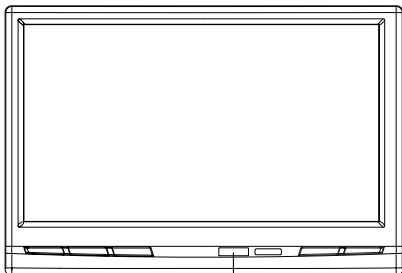
- The setting can be made only when ON is set in "⑬ Navigation settings (NAV. IN)".

3 After completing adjustments, press and hold the **SELECT** button for at least 2 seconds. The screen will return to the normal mode.

- If no operation is made for 10 seconds after selecting a mode to be adjusted, the adjustment mode will be cleared.

Base Operation

Remote Control Sensor



Remote sensor

- Receives the remote control signal from connected ALPINE products such as navigation and DVD players.

Information

In Case of Difficulty

If you encounter a problem, please review the items in the following checklist. This guide will help you isolate the problem if the unit is at fault. Otherwise, make sure the rest of your system is properly connected or consult your authorized Alpine dealer.

No function or display.

- Car's ignition is off.
 - Turn the ignition on.
- No fuse or blown fuse.
 - Check the cause and replace the fuse.
- Incorrect connections.
 - Check connection and remedy.
- Vehicle's battery is weak.
 - Check the voltage of vehicle's battery.

Unclear picture display.

- Fluorescent tube is exhausted.
 - Replace the fluorescent tube*.

No picture display.

- Brightness control is set for minimum brightness control.
 - Adjust the brightness.
- Incorrect setting of the VCR mode.
 - Switch to the correct mode.
- Protective circuit is on because of high temperature.
 - Wait until the temperature inside the vehicle comes down to the operating temperature range (45°C).
- Incorrect or open connection with the Monitor, AV interface unit.
 - Check the connection and remedy.

Picture color is poor.

- Brightness/Color/Tint control are not set to the proper positions.
 - Check each control.

Spots or dotted lines/stripes appear.

- Caused by neon signs, high-voltage power lines, CB transmitter, other vehicle's ignition plugs, etc.
 - Change the location of your vehicle.

Unit does not operate.

- Monitor's power is not turned on.
 - Turn on the monitor's power.

Navigation screen is not displayed or navigation system's remote controller keys do not work.

- Navigation system's power is turned off.
 - Press the ON/OFF (POWER) button on the navigation system's remote controller to turn the navigation system's power on.

Screen is out of position.

- Navigation system is connected by using the RCA extension cable.
 - Press and hold the DISP button for at least 2 seconds to switch the screen position.
- * The fluorescent tube replacement is not free of charge even within the warranty period, for the tube is an article of consumption.

Information

Specifications

MONITOR

Screen Size	6.5-type
Display System	Low reflection rear projection type TN liquid crystal panel
Drive System	Active matrix drive, normally white display
Number of Picture Elements	280,800 pcs. (H:1200 x V:234 dots)
Effective Number of Picture Elements	99.99% or more
Light Source	Internal optical system (U-type cold cathode fluorescent tube)
Dimensions (W x H x D)	161 x 109 x 28.5mm
Weight	270g

AV Interface Unit

Dimensions (W x H x D)	130.6 x 109 x 30 mm
Weight	400g

- *Due to continuous product improvement, specifications and design are subject to change without notice.*
- *The LCD panel is manufactured using an extremely high precision manufacturing technology. Its effective pixel ratio is over 99.99%. This means that there is a possibility that 0.01% of the pixels could be either always ON or OFF.*

Installation and Connections

Before installing or connecting the unit, please read the following and pages 2 and 3 of this manual thoroughly for proper use.

Warning

MAKE THE CORRECT CONNECTIONS.

Failure to make the proper connections may result in fire or product damage.

USE ONLY IN CARS WITH A 12 VOLT NEGATIVE GROUND.

(Check with your dealer if you are not sure.) Failure to do so may result in fire, etc.

BEFORE WIRING, DISCONNECT THE CABLE FROM THE NEGATIVE BATTERY TERMINAL.

Failure to do so may result in electric shock or injury due to electrical shorts.

DO NOT ALLOW CABLES TO BECOME ENTANGLED IN SURROUNDING OBJECTS.

Arrange wiring and cables in compliance with the manual to prevent obstructions when driving. Cables or wiring that obstruct or hang up on places such as the steering wheel, gear lever, brake pedals, etc. can be extremely hazardous.

DO NOT SPLICE INTO ELECTRICAL CABLES.

Never cut away cable insulation to supply power to other equipment. Doing so will exceed the current carrying capacity of the wire and result in fire or electric shock.

DO NOT USE BOLTS OR NUTS IN THE BRAKE OR STEERING SYSTEMS TO MAKE GROUND CONNECTIONS.

Bolts or nuts used for the brake or steering systems (or any other safety-related system), or tanks should NEVER be used for installations or ground connections. Using such parts could disable control of the vehicle and cause fire etc.

KEEP SMALL OBJECTS SUCH AS BATTERY OUT OF THE REACH OF CHILDREN.

Swallowing them may result in serious injury. If swallowed, consult a physician immediately.

DO NOT INSTALL IN LOCATIONS WHICH MIGHT HINDER VEHICLE OPERATION, SUCH AS THE STEERING WHEEL OR GEARSHIFT.

Doing so may obstruct forward vision or hamper movement etc. and results in serious accident.

DO NOT DAMAGE PIPE OR WIRING WHEN DRILLING HOLES.

When drilling holes in the chassis for installation, take precautions so as not to contact, damage or obstruct pipes, fuel lines, tanks or electrical wiring. Failure to take such precautions may result in fire.

DO NOT INSTALL THE MONITOR NEAR THE PASSENGER SEAT AIR BAG.

If the unit is not installed correctly the air bag may not function correctly and when triggered the air bag may cause the monitor to spring upwards causing an accident and injuries.

Caution

HAVE THE WIRING AND INSTALLATION DONE BY EXPERTS.

The wiring and installation of this unit requires special technical skill and experience. To ensure safety, always contact the dealer where you purchased this product to have the work done.

USE SPECIFIED ACCESSORY PARTS AND INSTALL THEM SECURELY.

Be sure to use only the specified accessory parts. Use of other than designated parts may damage this unit internally or may not securely install the unit in place. This may cause parts to become loose resulting in hazards or product failure.

ARRANGE THE WIRING SO IT IS NOT CRIMPED OR PINCHED BY A SHARP METAL EDGE.

Route the cables and wiring away from moving parts (like the seat rails) or sharp or pointed edges. This will prevent crimping and damage to the wiring. If wiring passes through a hole in metal, use a rubber grommet to prevent the wire's insulation from being cut by the metal edge of the hole.

DO NOT INSTALL IN LOCATIONS WITH HIGH MOISTURE OR DUST.

Avoid installing the unit in locations with high incidence of moisture or dust. Moisture or dust that penetrates into this unit may result in product failure.

Installation and Connections

Precautions

- Be sure to disconnect the cable from the (-) battery post before installing your TME-M710. This will reduce any chance of damage to the unit in case of a short-circuit.
- Be sure to connect the color coded leads according to the diagram. Incorrect connections may cause the unit to malfunction or damage the vehicle's electrical system.
- When making connections to the car's electrical system, be aware of the factory installed components (e.g. on-board computer). Do not tap into these leads to provide power for this unit. When connecting the TME-M710 to the fuse box, make sure the fuse for the intended circuit of the TME-M710 has the appropriate amperage. Failure to do so may result in damage to the unit and/or the vehicle. When in doubt, consult your ALPINE dealer.
- The TME-M710 uses female RCA-type jacks for connection to other units having RCA connectors. You may need an adaptor to connect other units. If so, please contact your authorized ALPINE dealer for assistance.

IMPORTANT

Please record the serial number of your unit in the space provided below and keep it as a permanent record. The serial number plate is located on the rear of the monitor or on the bottom of the AV interface unit.

SERIAL NUMBER: _____
INSTALLATION DATE: _____
INSTALLATION TECHNICIAN: _____
PLACE OF PURCHASE: _____

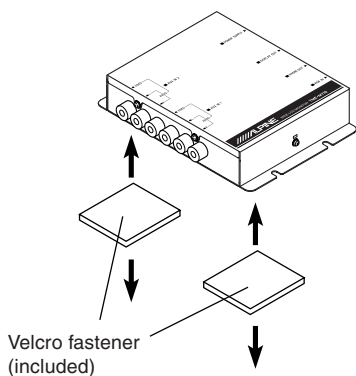
Installation

Installing AV Interface Unit

This Unit can be placed inside the trunk, on the kick panel of the front passenger's seat or underdash. However, to avoid unnecessary signal wiring, it is better to mount the Unit as close as possible to the Display.
DO NOT MOUNT THE INTERFACE UNIT IN LOCATIONS EXPOSED TO MOISTURE OR EXTREME HEAT (such as the engine compartment).

Velcro fastener Mounting:

1. Place a Velcro fastener onto the mounting surface. The rough side should be facing the unit.
2. Remove the backing to the adhesive on the Velcro strips. Press the unit onto the mounting location.



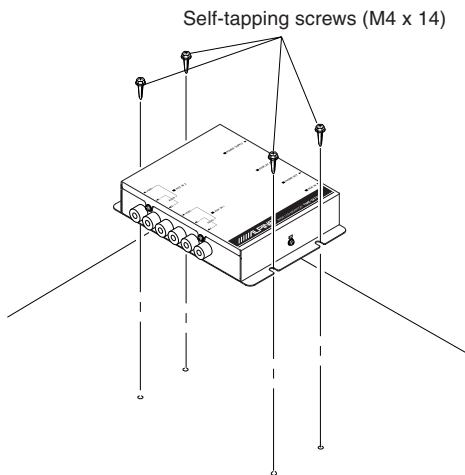
Attaching with screws

1. Place the unit on the location chosen for installation.
2. Mark the screw locations using the unit as a template.
3. Drill a hole less than 3 mm in diameter.

WARNING

When you are drilling a hole in the car body, be careful not to damage pipes, tanks or electrical wiring etc.. It might cause an accident or a fire.

4. Firmly attach the unit using 4 of the supplied self-tapping screws (M4 x 14).

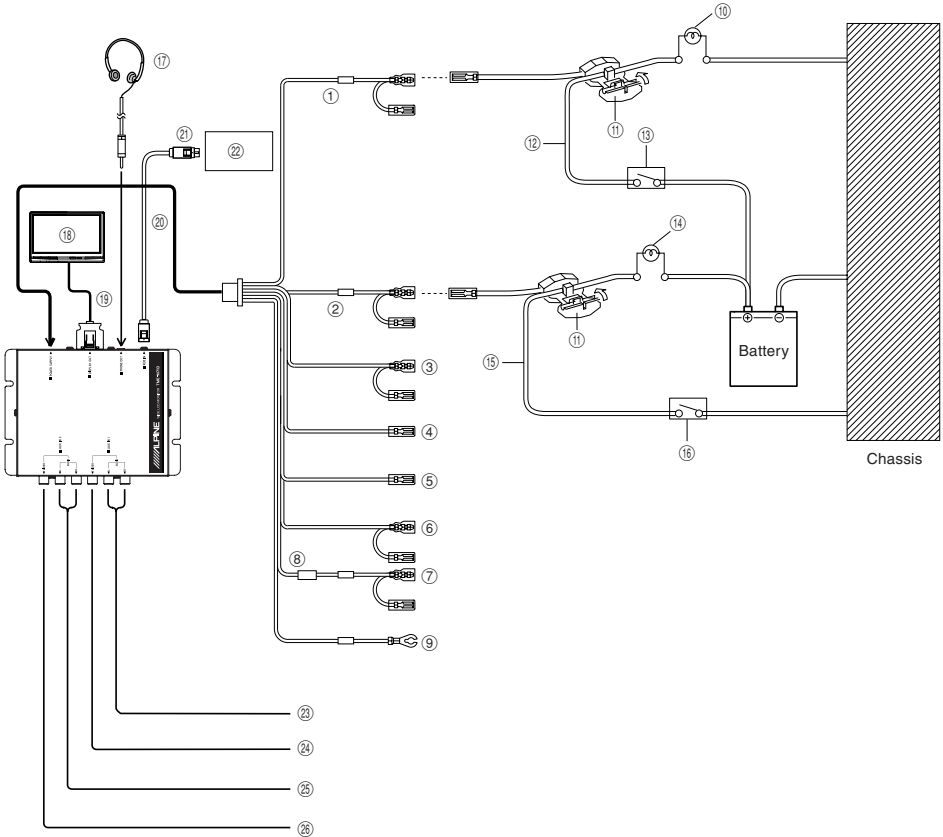


Installation and Connections

Connections

Make connections correctly.
Improper connections may cause a fire or operation failure.

Basic connection



- ① **Foot brake lead (Yellow/Black)**
Connect this lead to the foot brake lead powered when the foot brake is pressed.
- ② **Hand brake lead (Yellow/Blue)**
Connect this lead to the hand brake lead powered when the hand brake is pulled.
- ③ **Dimmer lead (White/Blue)**
This lead may be connected to the vehicle's instrument cluster illumination lead. This will allow the backlighting of the unit to dim whenever the vehicle's lights are turned on.
- ④⑤ **Remote control output lead (White/Brown)**
To remote control input lead of ALPINE products used in the system.
- ⑥ **Reverse Lead (Orange/White)**
Use only when a back-up camera is connected. Connect to the plus side of the car's reverse lamp that lights when the transmission is shifted into reverse (R).

Switches the video picture to the back-up camera. This is linked with putting the car into reverse (R).
- ⑦ **ACC power lead (Red)**
To ACC power lead powered when engine key position is ACC.
- ⑧ **Fuse (7.5A)**
- ⑨ **Ground lead (Black)**
Connect the lead to a good chassis ground on the vehicle. Make sure the connection is made to bare metal and is securely fastened using the sheet metal screw provided.
- ⑩ **Foot brake lamp**
- ⑪ **Brake connector (Included)**
- ⑫ **Foot brake lead**
- ⑬ **Foot brake switch**
- ⑭ **Hand (parking) brake lamp**
- ⑮ **Hand (parking) brake lead**
- ⑯ **Hand (parking) brake switch**
- ⑰ **Headphone**
- ⑱ **Main monitor**
- ⑲ **Connection cable**
If the cable is too short, use the extension cable (KWE-664N, sold separately).
- ⑳ **RGB cable**
- ㉑ **To RGB output terminal**
- ㉒ **Made by Alpine navigation**
- ㉓ **Audio input connectors (AUX 1)**
Use these connectors to input the audio signals from a DVD player, video deck etc.
- ㉔ **Video input connector (AUX 1)**
Use this connector to input the video signals from a DVD player, video deck etc.

- ㉕ **Audio input connectors (AUX 2)**
Use these connectors to input the audio signals from a DVD player, video deck etc.
- ㉖ **Video input connectors (AUX 2)**
Use this connector to input the video signals from a DVD player, video deck etc.

- *When connecting a rear view camera, use the "AUX IN 2".*

To prevent external noise from entering the audio system.

- Locate the unit and route the leads at least 10cm away from the car harness.
- Keep the battery power leads as far away from other leads as possible.
- Connect the ground lead securely to a bare metal spot (remove the coating if necessary) of the car chassis.
- If you add an optional noise suppressor, connect it as far away from the unit as possible. Your Alpine dealer carries various Alpine noise suppressors, contact them for further information.
- Your Alpine dealer knows best about noise prevention measures so consult your dealer for further information.



LIMITED WARRANTY

ALPINE ELECTRONICS OF AMERICA, INC. AND ALPINE OF CANADA INC. ("Alpine"), are dedicated to quality craftsmanship and are pleased to offer this Warranty. We suggest that you read it thoroughly. Should you have any questions, please contact your Dealer or contact Alpine at one of the telephone numbers listed below.

● PRODUCTS COVERED:

This Warranty covers Car Audio Products and Related Accessories ("the product"). Products purchased in the Canada are covered only in the Canada. Products purchased in the U.S.A. are covered only in the U.S.A.

● LENGTH OF WARRANTY:

This Warranty is in effect for one year from the date of the first consumer purchase.

● WHO IS COVERED:

This Warranty only covers the original purchaser of the product, who must reside in the United States, Puerto Rico or Canada.

● WHAT IS COVERED:

This Alpine Warranty covers defects in materials or workmanship (parts and labor) in the product.

● WHAT IS NOT COVERED:

This Warranty does not cover the following:

- ① Damage occurring during shipment of the product to Alpine for repair (claims must be presented to the carrier).
- ② Damage caused by accident or abuse, including burned voice coils caused by over-driving the speaker (amplifier level is turned up and driven into distortion or clipping). Speaker mechanical failure (e.g. punctures, tears or rips). Cracked or damaged LCD panels. Dropped or damaged hard drives.
- ③ Damage caused by negligence, misuse, improper operation or failure to follow instructions contained in the Owner's manual.
- ④ Damage caused by act of God, including without limitation, earthquake, fire, flood, storms or other acts of nature.
Any cost or expense related to the removal or reinstallation of the product.
- ⑤ Service performed by an unauthorized person, company or association.
- ⑥ Any product which has the serial number defaced, altered or removed.
- ⑦ Any product which has been adjusted, altered or modified without Alpine's consent.
- ⑧ Any product not distributed by Alpine within the United States, Puerto Rico or Canada.
- ⑨ Any product not purchased from an Authorized Alpine Dealer.

● HOW TO OBTAIN WARRANTY SERVICE:

- ① You are responsible for delivery of the product to an Authorized Alpine Service Center or Alpine for repair and for payment of any initial shipping charges. Alpine will, at its option, repair or replace the product with a new or reconditioned product without charge. If the repairs are covered by the warranty, and if the product was shipped to an Authorized Alpine Service Center or Alpine, Alpine will pay the return shipping charges.
- ② You should provide a detailed description of the problem(s) for which service is required.

- ③ You must supply proof of your purchase of the product.
- ④ You must package the product securely to avoid damage during shipment. To prevent lost packages it is recommended to use a carrier that provides a tracking service.

● HOW WE LIMIT IMPLIED WARRANTIES:

ANY IMPLIED WARRANTIES INCLUDING FITNESS FOR USE AND MERCHANTABILITY ARE LIMITED IN DURATION TO THE PERIOD OF THE EXPRESS WARRANTY SET FORTH ABOVE AND NO PERSON IS AUTHORIZED TO ASSUME FOR ALPINE ANY OTHER LIABILITY IN CONNECTION WITH THE SALE OF THE PRODUCT.

● HOW WE EXCLUDE CERTAIN DAMAGES:

ALPINE EXPRESSLY DISCLAIMS LIABILITY FOR INCIDENTAL AND CONSEQUENTIAL DAMAGES CAUSED BY THE PRODUCT. THE TERM "INCIDENTAL DAMAGES" REFERS TO EXPENSES OF TRANSPORTING THE PRODUCT TO THE ALPINE SERVICE CENTER, LOSS OF THE ORIGINAL PURCHASER'S TIME, LOSS OF THE USE OF THE PRODUCT, BUS FARES, CAR RENTALS OR OTHERS COSTS RELATING TO THE CARE AND CUSTODY OF THE PRODUCT. THE TERM "CONSEQUENTIAL DAMAGES" REFERS TO THE COST OF REPAIRING OR REPLACING OTHER PROPERTY WHICH IS DAMAGED WHEN THIS PRODUCT DOES NOT WORK PROPERLY. THE REMEDIES PROVIDED UNDER THIS WARRANTY ARE EXCLUSIVE AND IN LIEU OF ALL OTHERS.

● HOW STATE/PROVINCIAL LAW RELATES TO THE WARRANTY:

This Warranty gives you specific legal rights, and you may also have other rights which vary from state to state and province to province. In addition, some states/provinces do not allow limitations on how long an implied warranty lasts, and some do not allow the exclusion or limitation of incidental or consequential damages. Accordingly, limitations as to these matters contained herein may not apply to you.

● IN CANADA ONLY:

This Warranty is not valid unless your Alpine car audio product has been installed in your vehicle by an Authorized Installation Center, and this warranty stamped upon installation by the installation center.

● HOW TO CONTACT CUSTOMER SERVICE:

Should the product require service, please call the following number for your nearest Authorized Alpine Service Center.

**CAR AUDIO 1-800-ALPINE-1 (1-800-257-4631)
NAVIGATION 1-888-NAV-HELP (1-888-628-4357)**

Or visit our website at; <http://www.alpine-usa.com>

ALPINE ELECTRONICS OF AMERICA, INC., 19145 Gramercy Place, Torrance, California 90501, U.S.A.

ALPINE ELECTRONICS OF CANADA, INC., 777 Supertest Road, Toronto, Ontario M3J 2M9, Canada

Do not send products to these addresses.

Call the toll free telephone number or visit the website to locate a service center.

Table des matières

Mode d'emploi



AVERTISSEMENT

AVERTISSEMENT	2
ATTENTION	3
PRECAUTIONS	3



Fonctionnement de base

Affichage d'écran ON/OFF	4
Réglage du volume	4
Changement de source	4
Modifier la position de l'écran	4
Changement de mode d'affichage	5
Réglage	5

Informations

En cas de problème	9
Spécifications	10

Installation et raccordements

Avertissement	11
Attention	11
Précautions	12
Installation	13
Raccordements	14

GARANTIE LIMITÉE



ADVERTENCIA



ADVERTENCIA

Este símbolo indica que las instrucciones son importantes. De no tenerse en cuenta, podría ocasionarse heridas graves o muerte.

NO REALICE NINGUNA OPERACIÓN QUE PUEDA DISTRAER SU ATENCIÓN Y COMPROMETER LA SEGURIDAD DURANTE LA CONDUCCIÓN DEL VEHÍCULO.

Las operaciones que requieren su atención durante más tiempo sólo deben realizarse después de detener completamente el vehículo. Estacione el vehículo en un lugar seguro antes de realizar dichas operaciones. De lo contrario, podría ocasionar un accidente.

MANTENGA EL VOLUMEN A UN NIVEL QUE NO LE IMPIDA ESCUCHAR LOS SONIDOS DEL EXTERIOR MIENTRAS CONDUCE.

De no ser así, podría ocasionar un accidente.

REDUZCA AL MÁXIMO LA VISUALIZACIÓN DE LA PANTALLA MIENTRAS CONDUCE.

El conductor puede distraer su atención de la carretera mientras mira la pantalla y ocasionar un accidente.

NO DESMONTE NI ALTERE LA UNIDAD.

Si lo hace, podrá ocasionar un accidente, un incendio o una descarga eléctrica.

UTILICE ESTE PRODUCTO CON APLICACIONES MÓVILES DE 12 V.

Si se emplea para otra aplicación distinta de la prevista, podría producirse un incendio, una descarga eléctrica u otras lesiones.

MANTENGA LOS OBJETOS PEQUEÑOS, COMO LAS PILAS, FUERA DEL ALCANCE DE LOS NIÑOS.

La ingestión de estos objetos puede provocar lesiones graves. Si esto ocurre, consulte con un médico inmediatamente.

UTILICE EL AMPERAJE CORRECTO CUANDO CAMBIE FUSIBLES.

De lo contrario, puede producirse un incendio o una descarga eléctrica.

NO MIRE EL VÍDEO MIENTRAS CONDUCE.

El conductor puede distraer su atención de la carretera mientras mira el vídeo y ocasionar un accidente.

INSTALE LA UNIDAD CORRECTAMENTE PARA QUE EL CONDUCTOR NO PUEDA VER EL VIDEO/ TELEVISOR A MENOS QUE EL VEHÍCULO SE ENCUENTRE PARADO Y SE HAYA ACCIONADO EL FRENO DE MANO.

Ver el vídeo/televisor mientras se conduce se considera peligroso. Si la unidad no se instala correctamente, el conductor podrá ver el vídeo/televisor y distraerse mientras conduce, incrementando el riesgo de accidente. Esto podría causar heridas graves al conductor y a otras personas.

PRUDENCIA

Este símbolo indica que las instrucciones son importantes. De no tenerse en cuenta, podría ocasionarse heridas graves o daños materiales.

DEJE DE USAR LA UNIDAD INMEDIATAMENTE SI APARECE ALGÚN PROBLEMA.

Su uso en estas condiciones podría ocasionar lesiones personales o daños al producto. Lleve la unidad a un distribuidor Alpine autorizado o al Centro de servicio Alpine más próximo para repararla.

PRECAUCIONES

Temperatura

Antes de encender el aparato, cerciórese de que la temperatura del interior del vehículo se encuentre entre +45°C (+113°F) y 0°C (+32°F).

Reemplazo de fusibles

Cuando tenga que reemplazar el(los) fusible(s), deberá reemplazarlos por otro(s) del mismo amperaje que el mostrado en el portafusibles. Si el(los) fusible(s) se funden más de una vez, compruebe cuidadosamente todas las instalaciones eléctricas para ver si existen cortocircuitos. Además, haga que comprueben el regulador de tensión del vehículo.

Mantenimiento

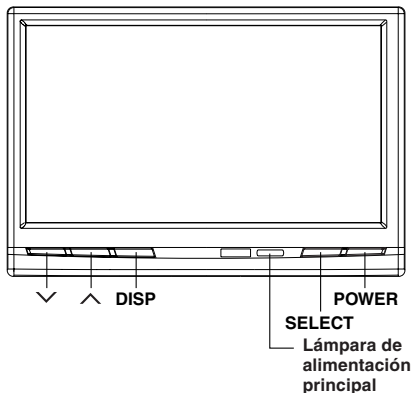
Si tiene problemas, no intente reparar el aparato por sí mismo. Devuélvalo a su distribuidor Alpine o a la estación de servicio Alpine para que se lo reparen.

Lugar de instalación

Cerciórese de que el TME-M710 no quede expuesto a:

- La luz solar directa ni al calor
- Gran humedad
- Polvo excesivo
- Vibraciones excesivas
- Después de apagar el sistema, permanecerá temporalmente en pantalla una ligera imagen fantasma. Se trata de un peculiar efecto de la tecnología LCD y es normal.
- En condiciones de temperaturas frías, es posible que la pantalla pierda contraste temporalmente. Después de un corto período de calentamiento, recuperará la normalidad.

Operación básica



Cambio de la posición de la pantalla

Si la pantalla se encuentra fuera de posición cuando, por ejemplo, el sistema de navegación se conecta al terminal AUX IN 1 o AUX IN 2 utilizando el cable de extensión RCA, cambie la posición de la pantalla.

- 1 Cambie el modo a AUX1 o AUX2 para visualizar la pantalla de navegación.
- 2 Pulse y mantenga pulsado el botón **DISP** durante por lo menos 2 segundos. Pulse y mantenga pulsado el botón **DISP** de nuevo durante por lo menos 2 segundos para volver a la posición.

ENCENDIDO/APAGADO de la pantalla (ON/OFF)

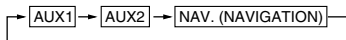
- 1 Apriete el botón **POWER**.
- 2 Para apagar apriete nuevamente el botón **POWER**.
 - Si se han realizado las conexiones correctamente, la alimentación principal (POWER) de los monitores se apagará cuando se desconecte la llave de encendido del vehículo moviéndola a la posición OFF. Si se ilumina la lámpara de alimentación principal en el modo STAND BY (preparado), la batería del vehículo puede descargarse.
 - Después de desconectar el sistema, perdurará temporalmente una silueta débil de la imagen. Este es un efecto peculiar y normal de la tecnología LCD.
 - Bajo condiciones de bajas temperaturas, la pantalla puede perder contraste temporalmente. Después de un período corto de calentamiento, volverá a su estado normal.

Ajuste del volumen

- 1 Ajuste el nivel de sonido presionando el botón V o ^.

Alternación de la fuente

- 1 Pulse el botón **SELECT**. Cada vez que pulse el botón pasará por los modos de la siguiente forma:



Cambio del modo de visualización.

- 1 Pulse el botón **DISP**.
Cada vez que pulse el botón pasará por los modos de la siguiente forma:



WIDE

Las imágenes con tamaño normal se expanden de manera uniforme en dirección horizontal y se visualizan en toda la pantalla.



CINEMA

Las imágenes con tamaño normal se amplían en dirección horizontal y vertical. Las partes superior e inferior de la imagen se cortan. Este modo es adecuado para imágenes de tamaño de cine de 16:9.



NORMAL

Imagen de tamaño normal (4:3)

Ajuste

- 1 Presione y mantenga presionado el botón **SELECT** por lo menos 2 segundos. Aparecerá la pantalla de ajuste.
- 2 Pulse el botón **SELECT** o **DISP** y seleccione el modo que haya que ajustar. Ajuste pulsando el botón \wedge o \vee .

SELECT : Selecciona el modo. (hacia abajo)

DISP : Selecciona el modo. (hacia arriba)

\wedge o \vee : Ajusta.

- ① Selección del modo VISUAL EQ (parámetros del fabricante) (VISUAL EQ MODE)

AUX - 1	NTSC
VISUAL EQ MODE	OFF
BRIGHT	0
COLOR	0
TINT	R 10
CONTRAST	+10
SHARP	MIN

OFF : Configuración predeterminada.

NIGHT M. : Adecuado para películas con muchas escenas negras.

SOFT : Adecuado para películas con imágenes generadas por computadora o animación.

SHARP : Adecuado para películas antiguas con resolución poco clara.

CONTRAST : Adecuado para las películas más modernas.

- Para regresar a los valores predeterminados después de seleccionar uno de los modos entre "NIGHT M." y "CONTRAST" ajustando luego el brillo de la imagen, la densidad del color, etc., ajuste esta función a "OFF".

- ② Ajuste del brillo (BRIGHT)

AUX - 1	NTSC
VISUAL EQ MODE	OFF
BRIGHT	0
COLOR	0
TINT	R 10
CONTRAST	+10
SHARP	MIN

Permite ajustar el brillo de la imagen (-15 (MIN)~+15 (MAX)).

Continuación

Operación básica

③ Ajuste de la intensidad del color (COLOR)

AUX - 1	NTSC
VISUAL EQ MODE	OFF
BRIGHT	0
COLOR	0
TINT	R 10
CONTRAST	+10
SHARP	MIN

El cambio de la intensidad puede ajustarse desde -15 (MIN) a +15 (MAX).

* El ajuste no se puede efectuar en el modo NAVIGATION (conexión RGB).

④ Ajuste del matiz del tono (TINT)

AUX - 1	NTSC
VISUAL EQ MODE	OFF
BRIGHT	0
COLOR	R 10
TINT	+10
CONTRAST	+10
SHARP	MIN

El matiz del tono puede ajustarse desde G15 (G MAX) a R15 (R MAX).

* El ajuste no se puede efectuar en el modo NAVIGATION (conexión RGB).

⑤ Ajuste del contraste (CONTRAST)

AUX - 1	NTSC
VISUAL EQ MODE	OFF
BRIGHT	0
COLOR	0
TINT	R 10
CONTRAST	+10
SHARP	MIN

El contraste puede ajustarse desde -15 (LOW) a +15 (HIGH).

⑥ Ajuste de la calidad de la pantalla (SHARP)

AUX - 1	NTSC
VISUAL EQ MODE	OFF
BRIGHT	0
COLOR	0
TINT	R 10
CONTRAST	+10
SHARP	SOFT

La calidad de la pantalla puede ajustarse desde -15 (SOFT) a +15 (HARD).

* El ajuste no se puede efectuar en el modo NAVIGATION (conexión RGB).

- Si se ha ajustado de ② a ⑥, el modo VISUAL EQ en ① cambia a "CUSTOM".

⑦ Ajuste del atenuador (DIMMER)

AUX - 1	NTSC
DIMMER	AUTO
DIMMER HI LEVEL	26
DIMMER LO LEVEL	MIN
SOUND OUT	MONITOR
BEEP	ON
AUX IN-1 LEVEL	HIGH
AUX IN-2 LEVEL	HIGH
NAV. IN	ON
GUIDE CONTROL	STANDARD

AUTO: Al encender/apagar la luz principal cambia el brillo de la pantalla entre DIMMER HI LEVEL y DIMMER LO LEVEL.

LOW: La retroiluminación se fija en el valor ajustado en "DIMMER LO LEVEL".

HIGH: La retroiluminación se fija en el valor ajustado en "DIMMER HI LEVEL".

⑧ Ajuste del nivel HIGH del atenuador (DIMMER HI LEVEL)

AUX - 1	NTSC
DIMMER	AUTO
DIMMER HI LEVEL	26
DIMMER LO LEVEL	MIN
SOUND OUT	MONITOR
BEEP	ON
AUX IN-1 LEVEL	HIGH
AUX IN-2 LEVEL	HIGH
NAV. IN	ON
GUIDE CONTROL	STANDARD

Ajuste el HIGH LEVEL del atenuador (16 (MIN) a 31 (MAX)).

⑨ Ajuste del nivel LOW del atenuador (DIMMER LO LEVEL)

AUX - 1	NTSC
DIMMER	AUTO
DIMMER HI LEVEL	26
DIMMER LO LEVEL	MIN
SOUND OUT	MONITOR
BEEP	ON
AUX IN-1 LEVEL	HIGH
AUX IN-2 LEVEL	HIGH
NAV. IN	ON
GUIDE CONTROL	STANDARD

Ajuste el LOW LEVEL (0 (MIN) a 15 (MAX)) del atenuador.

⑩ Cambiar la salida de sonido (SOUND OUT)

AUX - 1	NTSC
DIMMER	AUTO
DIMMER HI LEVEL	26
DIMMER LO LEVEL	MIN
SOUND OUT	MONITOR
BEEP	ON
AUX IN-1 LEVEL	HIGH
AUX IN-2 LEVEL	HIGH
NAV. IN	ON
GUIDE CONTROL	STANDARD

MONITOR: Canaliza el sonido a través de los altavoces incorporados.

HEADPHONE: Canaliza el sonido a los auriculares, si están conectados.

* Tenga en cuenta que no se canalizará el sonido si los parámetros de salida de audio no son los adecuados.

11 Ajuste del pitido (BEEP)

AUX - 1	NTSC
DIMMER	AUTO
DIMMER HI LEVEL	26
DIMMER LO LEVEL	MIN
SOUND OUT	MONITOR
BEEP	ON
AUX IN-1 LEVEL	HIGH
AUX IN-2 LEVEL	HIGH
NAV. IN	ON
GUIDE CONTROL	STANDARD

ON : El pitido suena para informarle de que se acepta la operación, cuando pulse el botón etc.

12 Ajuste del nivel de sonido de entrada externo (AUX IN-1 LEVEL/AUX IN-2 LEVEL)

AUX - 1	NTSC
DIMMER	AUTO
DIMMER HI LEVEL	26
DIMMER LO LEVEL	MIN
SOUND OUT	MONITOR
BEEP	ON
AUX IN-1 LEVEL	HIGH
AUX IN-2 LEVEL	HIGH
NAV. IN	ON
GUIDE CONTROL	STANDARD

HIGH : Ajusta el nivel del sonido en un nivel alto.

LOW : Reduce el nivel del sonido.

13 Parámetros de navegación (NAV. IN)

AUX - 1	NTSC
DIMMER	AUTO
DIMMER HI LEVEL	26
DIMMER LO LEVEL	MIN
SOUND OUT	MONITOR
BEEP	ON
AUX IN-1 LEVEL	HIGH
AUX IN-2 LEVEL	HIGH
NAV. IN	OFF

Cuando la navegación está conectada al terminal RGB, ajuste a ON.

14 Ajuste de control de guía (GUIDE CONTROL)

AUX - 1	NTSC
DIMMER	AUTO
DIMMER HI LEVEL	26
DIMMER LO LEVEL	MIN
SOUND OUT	MONITOR
BEEP	ON
AUX IN-1 LEVEL	HIGH
AUX IN-2 LEVEL	HIGH
NAV. IN	ON
GUIDE CONTROL	STANDARD

Es el ajuste de interrupción del audio para el sistema de navegación.

Asegúrese de ajustar a "STANDARD".

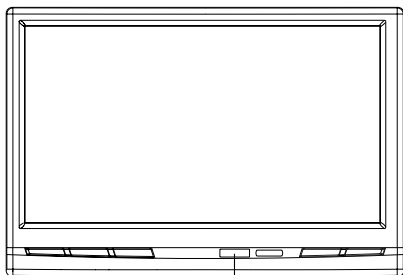
- El ajuste se puede realizar sólo cuando ON esté ajustado en "13 Parámetros de navegación (NAV. IN)".

3 Una vez realizados los ajustes, pulse y mantenga presionado el botón **SELECT** por lo menos 2 segundos.
La pantalla volverá al modo normal.

- Si no se realiza ninguna operación durante 10 segundos después de seleccionar un modo que haya que ajustar, el modo de ajuste se borrará.

Operación básica

Sensor del mando a distancia



Sensor remoto

- Recibe la señal del mando a distancia desde productos ALPINE conectados tales como navegadores y reproductores de DVD.

Información

En caso de dificultad

Si se presenta un problema, revise por favor los puntos que se mencionan en la siguiente lista de comprobación. Esta guía le permitirá aislar el problema si falla la unidad. En última instancia compruebe que el resto de los sistemas estén bien conectados o acuda a un distribuidor autorizado de Alpine.

No funciona, o no aparece nada en pantalla.

- El encendido del coche está apagado.
 - Ponga en marcha el encendido.
- No hay fusible o se ha fundido.
 - Compruebe la causa y cambie el fusible.
- Conexiones incorrectas.
 - Compruebe las conexiones y corríjalas.
- La batería del coche está baja.
 - Compruebe el voltaje de la batería del vehículo.

Imagen turbia.

- El tubo fluorescente está descargado.
 - Cambie el tubo fluorescente*.

Ninguna imagen.

- El control de brillo está programado para un control mínimo de brillo.
 - Ajuste el brillo.
- Mal ajuste de la función VCR.
 - Seleccione el modo correcto.
- El circuito de protección se ha activado por la elevada temperatura.
 - Espere hasta que la temperatura interior del vehículo baje hasta el nivel de temperatura de funcionamiento (45°C).
- Conexión incorrecta o abierta con la unidad de conexión AV, el monitor.
 - Compruebe las conexiones y corríjalas.

El color de la imagen es pobre.

- Los controles de Brillo/Color/Matiz no están en la posición correcta.
 - Compruebe todos los controles.

Aparecen líneas/barras con manchas o puntos.

- Causados por señales de neón, líneas de alto voltaje, transmisor CB, enchufes de encendido correspondientes a otro vehículo, etc.
 - Cambie la situación de su vehículo.

La unidad no funciona.

- No se enciende el monitor.
 - Active la alimentación del monitor.

La pantalla de navegación no se visualiza o las teclas del mando a distancia del sistema de navegación no funcionan.

- La alimentación del sistema de navegación está desactivada.
 - Pulse el botón ON/OFF (POWER) en el mando a distancia del sistema de navegación para activar dicho sistema.

La pantalla se encuentra fuera de posición.

- El sistema de navegación se conecta utilizando un cable de extensión RCA.
 - Pulse y mantenga pulsado el botón DISP durante por lo menos 2 segundos para cambiar la posición de la pantalla.
- * El tubo fluorescente de recambio no es gratis, ni en el periodo de garantía, por tratarse de un artículo consumible.

Información

Especificaciones

MONITOR

Tamaño de la pantalla	Tipo 6,5
Sistema del visualizador	Baja reflexión del tipo proyección posterior, panel de cristal líquido TN
Sistema de transmisión	Matriz de transmisión activa, normalmente pantalla blanca
Número de puntos en la imagen	280.800 piezas (H:1200 x V:234 puntos)
Número de puntos efectivos en la imagen	99,99% o más
Fuente de iluminación	Sistema óptico interno (tubo fluorescente catódico frío, tipo U)
Dimensiones (Anchura x Altura x Fondo)	161 x 109 x 28,5mm
Peso	270g

Equipo de conexión AV

Dimensiones (Anchura x Altura x Fondo)	130,6 x 109 x 30 mm
Peso	400g

- *Debido a la mejora continua del producto, las especificaciones y el diseño están sujetos a cambio sin previo aviso.*
- *El panel LCD está fabricado con tecnología de alta precisión y dispone de más del 99,99% de píxeles efectivos. Tenga en cuenta que es posible que falte el 0,01% de píxeles o que dicho porcentaje de los mismos esté continuamente iluminado.*

Instalación y conexiones

Antes de instalar o conectar la unidad, lea atentamente lo siguiente y las páginas 2 y 3 de este manual para un uso apropiado.

Advertencia

REALICE LAS CONEXIONES CORRECTAMENTE.

Una conexión incorrecta puede producir un incendio o dañar el equipo.

UTILICE LA UNIDAD SOLAMENTE EN VEHÍCULOS QUE TENGAN 12 VOLTIOS CON NEGATIVO A MASA.

(Consulte a su distribuidor en caso de duda.) De no ser así, podría ocasionar un incendio, etc.

ANTES DE EFECTUAR EL CABLEADO, DESCONECTE EL CABLE DEL TERMINAL NEGATIVO DE LA BATERÍA.

De no hacerlo así, podría ocasionar una descarga eléctrica o heridas debido a cortocircuitos eléctricos.

IMPIDA QUE LOS CABLES SE ENREDEN CON LOS OBJETOS SITUADOS ALREDEDOR.

Disponga la instalación eléctrica y los cables conforme a lo descrito en el manual para evitar obstáculos durante la conducción. Los cables que obstaculizan la conducción o que cuelgan de partes del vehículo como el volante de dirección, la palanca de cambios, los pedales de freno, etc., se consideran extremadamente peligrosos.

NO EMPALME CABLES ELÉCTRICOS.

Nunca corte el aislamiento de un cable para suministrar energía a otro equipo. Esto hace que la capacidad portadora del cable se supere y puede ser la causa de incendios o descargas eléctricas.

NO UTILICE TUERCAS O PERNOS EN EL SISTEMA DE FRENOS O DE DIRECCIÓN PARA REALIZAR LAS CONEXIONES A MASA.

Los pernos o tuercas empleados en los sistemas de freno de dirección (o en cualquier otro sistema relacionado con la seguridad del vehículo), o los depósitos, NUNCA deben utilizarse para instalaciones de cableado o conexión a masa. Si utiliza tales partes podrá incapacitar el control del vehículo y provocar un incendio, etc.

MANTENGA LOS OBJETOS PEQUEÑOS, COMO LAS PILAS, FUERA DEL ALCANCE DE LOS NIÑOS.

La ingestión de estos objetos puede provocar lesiones graves. Si esto ocurre, consulte con un médico inmediatamente.

NO INSTALE EL EQUIPO EN LUGARES QUE PUEDAN INTERFERIR CON LA OPERACIÓN DEL VEHÍCULO, COMO EL VOLANTE DE DIRECCIÓN O LA CAJA DE CAMBIOS DE VELOCIDAD.

Esto podría obstaculizar la visibilidad y dificultar el movimiento, etc. y provocar accidentes graves.

EVITE DAÑAR LOS TUBOS Y EL CABLEADO CUANDO TALADRE AGUJEROS.

Si taladra agujeros en el chasis durante la instalación, tome las precauciones necesarias para no rozar, dañar u obstruir los tubos, las tuberías de combustible, los depósitos o el cableado eléctrico. De lo contrario, podría provocar un incendio.

NO INSTALE EL MONITOR CERCA DEL AIRBAG DEL ASIENTO DEL PASAJERO.

Si el aparato no está bien instalado, el airbag podrá no funcionar correctamente y, cuando se despliegue el airbag, podrá hacer que el monitor salga despedido hacia arriba y ocasionar un accidente y heridas.

Prudencia

CONFÍE EL CABLEADO Y LA INSTALACIÓN A PROFESIONALES.

El cableado y la instalación de este equipo requieren una competencia y experiencia técnica confirmada. Para garantizar la seguridad, póngase siempre en contacto con el distribuidor al que ha comprado el equipo para confiarle estas tareas.

UTILICE LOS ACCESORIOS ESPECIFICADOS E INSTÁLELOS CORRECTAMENTE.

Asegúrese de utilizar los accesorios especificados solamente. La utilización de otras piezas no designadas puede ser la causa de daños en el interior de la unidad o de una instalación incorrecta. Las piezas pueden aflojarse, lo que, además de ser peligroso, puede provocar averías.

DISPONGA EL CABLEADO DE FORMA QUE LOS CABLES NO SE DOBLEN, NO SE CONTRAIGAN NI ROCEN UN BORDE METÁLICO AFILADO.

Aleje los cables y el cableado de piezas móviles (como los raíles de los asientos) o de bordes puntiagudos o afilados. De esta forma evitará dobleces y daños en el cableado. Si los cables se introducen por un orificio de metal, utilice una arandela de goma para evitar que el borde metálico del orificio corte el aislamiento del cable.

NO INSTALE LA UNIDAD EN LUGARES MUY HÚMEDOS O LLENOS DE POLVO.

Evite instalar la unidad en lugares con altos índices de humedad o polvo. Si entra polvo o humedad, el equipo puede averiarse.

Instalación y conexiones

Precauciones

- Asegúrese de desconectar el cable del borne (-) de la batería antes de instalar su TME-M710. Esto reducirá las posibilidades de que la unidad pueda sufrir cualquier daño en caso de producirse un cortocircuito.
- Asegúrese de conectar los cables codificados con color de acuerdo con el diagrama. Las conexiones mal hechas podrán ocasionar un mal funcionamiento en la unidad y daños en el sistema eléctrico del vehículo.
- Cuando haga conexiones al sistema eléctrico del automóvil, tenga en cuenta los componentes instalados en fábrica (por ejemplo, el ordenador a bordo). No conecte a estos cables para proveer corriente a la unidad. Cuando conecte el TME-M710 a la caja de fusibles, asegúrese de que el fusible destinado al circuito del TME-M710 tenga el amperaje apropiado. El no hacerlo podrá ocasionar daños a la unidad y/o al vehículo. Si no está seguro, consulte a su distribuidor ALPINE.
- El TME-M710 emplea tomas de tipo RCA hembra para la conexión a otras unidades que tengan conectores RCA. Para conectar otras unidades tal vez necesite un adaptador. Si es así, póngase en contacto con su distribuidor ALPINE para que le ayude.

IMPORTANTE

Anote el número de serie de la unidad en el espacio proporcionado a continuación y consérvelo como registro permanente. La placa del número de serie se encuentra en la parte trasera del monitor o en la parte inferior de la unidad de interconexión AV.

NÚMERO DE SERIE: _____
FECHA DE INSTALACIÓN: _____
INSTALADOR: _____
LUGAR DE ADQUISICIÓN: _____

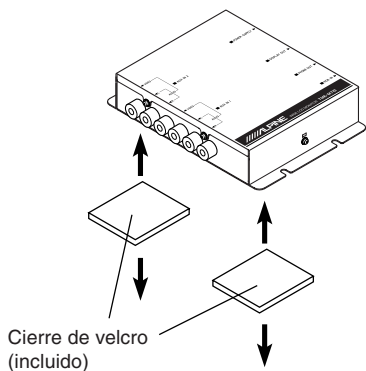
Instalación

Instalación del equipo de conexión AV

Este equipo puede instalarse en el maletero, bajo el asiento del acompañante o bajo el tablero de instrumentos. No obstante, para evitar interferencias innecesarias, lo mejor es instalar el equipo lo más cerca posible de la pantalla. **NO INSTALE EL EQUIPO DE CONEXIÓN EN LUGARES EXPUESTOS A LA HUMEDAD O A ALTAS TEMPERATURAS** (tales como el compartimiento del motor).

Montaje de cierre de velcro:

1. Coloque un cierre de velcro sobre la superficie de montaje. La parte más áspera debe estar de cara a la unidad.
2. Retire la parte trasera del adhesivo de las tiras de velcro. Presione la unidad sobre el lugar de montaje.



Montaje con tornillos

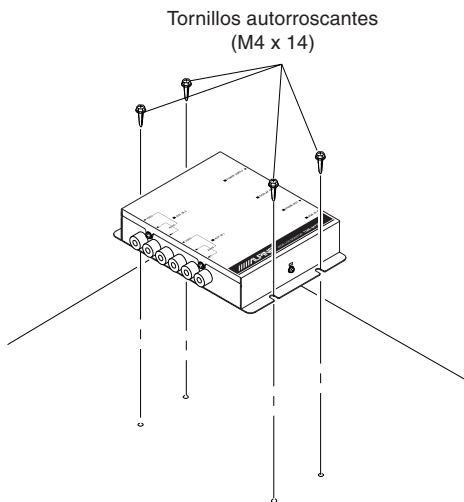
1. Coloque la unidad en el lugar de instalación.
2. Marque el sitio en el que irán los tornillos de montaje utilizando la unidad como plantilla.
3. Haga un agujero con un diámetro inferior a 3 mm.



ADVERTENCIA

Cuando haga un agujero en la carrocería del coche, tenga cuidado de no romper los conductos, el depósito, el cableado eléctrico, etc. Puede ocasionar un accidente o un incendio.

4. Monte fuertemente la unidad mediante 4 de los tornillos autorroscantes que se incluyen (M4 x 14).



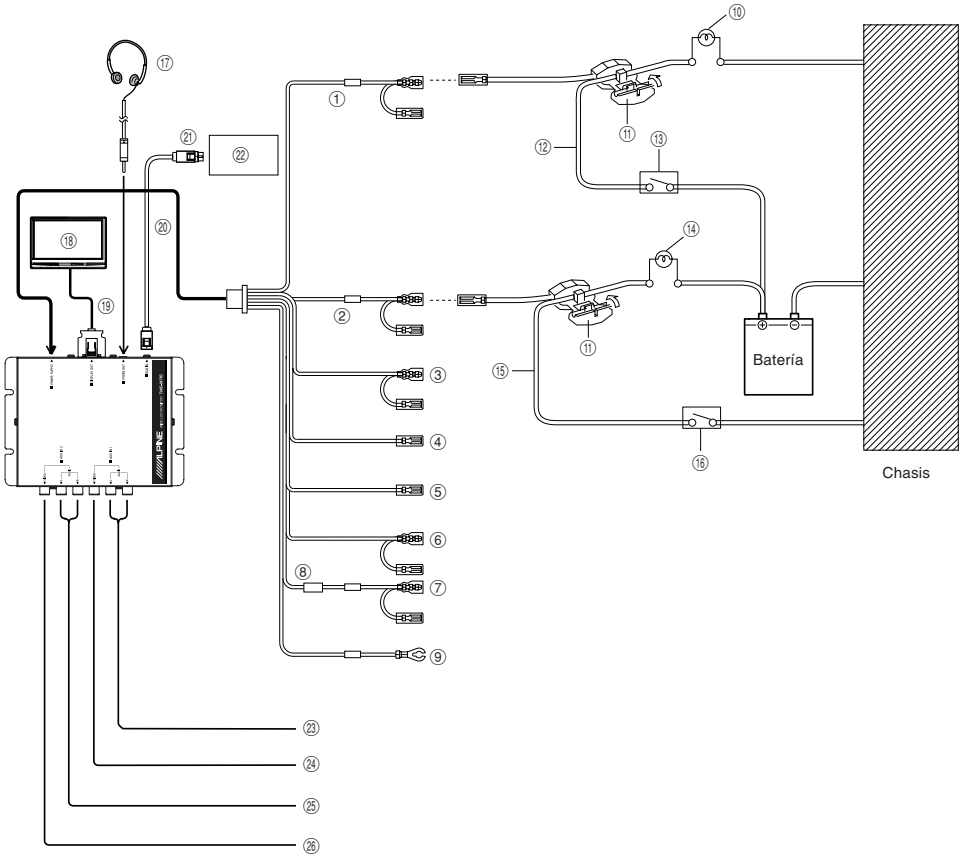
Instalación y conexiones

Conexiones

Haga la conexión correctamente.

Unas conexiones incorrectas pueden causar incendios o fallas en el funcionamiento.

Conexion básica



- ① **Conductor del freno de pie (Amarillo/Negro)**
Conecte este conductor al conductor del freno de pie que se activa cuando éste se pisa.
- ② **Conductor del freno de mano (Amarillo/Azul)**
Conecte este conductor al conductor del freno de mano que se activa cuando éste acciona.
- ③ **Cable de iluminación (Blanco/Azul)**
Este cable puede conectarse al cable de iluminación del grupo de instrumentos del automóvil. De esta forma, la luz de fondo del unidad podrá atenuarse al encender las luces del automóvil.
- ④⑤ **Conductor de salida del control remoto (Blanco/Marrón)**
Al conductor de entrada del mando a distancia de los productos ALPINE utilizados en el sistema.
- ⑥ **Cable de marcha atrás (naranja/blanco)**
Se utiliza únicamente cuando está conectada la cámara trasera. Conéctelo al polo positivo de la luz de marcha atrás del coche, que se enciende cuando la transmisión cambia a marcha atrás (R). La imagen de vídeo cambia a la cámara trasera. Está relacionado con situar el coche en marcha atrás (R).
- ⑦ **Conductor de corriente ACC (Rojo)**
Para el conductor de corriente ACC cuando la posición de la llave del motor esté en ACC.
- ⑧ **Fusible (7,5A)**
- ⑨ **Conductor de tierra (Negro)**
Conecte el conductor a una buena base en el chasis del vehículo. Asegúrese de que la conexión se realiza sobre metal puro y que está bien apretada utilizando el tornillo de chapa de metal que se facilita.
- ⑩ **Lámpara del freno de pie**
- ⑪ **Conector del freno (incluido)**
- ⑫ **Conductor del freno de pie**
- ⑬ **Interruptor del freno de pie**
- ⑭ **Lámpara del freno de mano (estacionamiento)**
- ⑮ **Conductor del freno de mano (estacionamiento)**
- ⑯ **Interruptor del freno de mano (estacionamiento)**
- ⑰ **Auricular**
- ⑱ **Monitor principal**
- ⑲ **Cable de conexión**
Si el cable es demasiado corto, utilice el cable de extensión (KWE-664N, vendido por separado).
- ⑳ **Cable RGB**
- ㉑ **Al terminal de salida RGB**
- ㉒ **Realizado por la navegación de Alpine**

- ㉓ **Conectores de entrada de audio (AUX 1)**
Utilice estos conectores para introducir señales de audio desde un reproductor DVD, platina de vídeo, etc.
- ㉔ **Conector de entrada de vídeo (AUX 1)**
Utilice este conector para introducir señales de vídeo desde un reproductor DVD, platina de vídeo, etc.
- ㉕ **Conectores de entrada de audio (AUX 2)**
Utilice estos conectores para introducir señales de audio desde un reproductor DVD, platina de vídeo, etc.
- ㉖ **Conector de entrada de vídeo (AUX 2)**
Utilice este conector para introducir señales de vídeo desde un reproductor DVD, platina de vídeo, etc.

- Cuando conecte una cámara retrovisora utilice el "AUX IN 2".

Para evitar que entre ruido externo en el sistema de audio.

- Coloque la unidad y pase los cables a 10 cm por lo menos del conjunto de cables del automóvil.
- Mantenga los conductores de la batería lo más alejados posible de otros cables.
- Conecte el conductor de puesta a masa con seguridad a un punto metálico desnudo (si es necesario, elimine el revestimiento) del chasis del automóvil.
- Si añade un supresor de ruido opcional, conéctelo lo más lejos posible de la unidad. Su proveedor Alpine dispone de varios supresores de ruido Alpine. Solicítele más información.
- Su proveedor Alpine conoce la mejor forma de evitar el ruido. Solicítele más información.



GARANTIE LIMITÉE

Fidèles à leur engagement de ne fournir que des produits de qualité, ALPINE ÉLECTRONIQUE DE L'AMÉRIQUE, INC. et ALPINE ÉLECTRONIQUE DU CANADA, INC. (Alpine) sont heureuses de vous offrir cette garantie. Nous vous suggérons de le lire attentivement et en entier. Si vous avez la moindre question, veuillez contacter l'un de nos concessionnaires ou appeler directement Alpine aux numéros listés ci-dessous.

● PRODUITS COUVERTS PAR LA GARANTIE

Cette garantie couvre les produits audio de voiture et les accessoires connexes ("le produit"). Elle ne couvre les produits que dans le pays où ils ont été achetés.

● DURÉE DE LA GARANTIE

Cette garantie est en vigueur pendant un an à partir de la date du premier achat du client.

● PERSONNES PROTÉGÉES PAR LA GARANTIE

Seul l'acheteur original du produit, s'il réside aux États-Unis, à Porto Rico ou au Canada, peut se prévaloir de la garantie.

● CE QUI EST COUVERT

Cette garantie couvre tous les défauts de matériaux et de fabrication (pièces et main d'œuvre) du produit.

● CE QUI N'EST PAS COUVERT

Cette garantie ne couvre pas ce qui suit:

- ① Les dommages survenus durant le transport des produits renvoyés à Alpine pour être réparés (les réclamations doivent être adressées au transporteur);
- ② Les dégâts provoqués par un accident ou une mauvaise utilisation, y compris des bobines acoustiques grillées suite à une surexcitation des enceintes (augmentation du niveau de l'amplificateur jusqu'à atteindre un effet de distorsion ou d'écrêtage), une défaillance mécanique des enceintes (perforations, déchirures ou fentes), panneaux LCD fissurés ou endommagés, disques durs endommagés ou ayant subi une chute.
- ③ Tout dégât provoqué par négligence, usage inapproprié, mauvaise utilisation ou par le non-respect des instructions indiquées dans le manuel de l'utilisateur.
- ④ Les dommages dus à la force majeure, notamment aux tremblements de terre, au feu, aux inondations, aux tempêtes ou aux autres cataclysmes naturels; Les frais ou les dépenses relatifs à l'enlèvement ou à la réinstallation du produit;
- ⑤ Les services rendus par une personne, physique ou morale non autorisée;
- ⑥ Les produits dont le numéro de série a été effacé, modifié ou retiré;
- ⑦ Les produits qui ont été adaptés ou modifiés sans le consentement d'Alpine;
- ⑧ Les produits qui ne sont pas distribués par Alpine aux États-Unis, à Porto Rico ou au Canada;
- ⑨ Les produits qui n'ont pas été achetés par l'entremise d'un concessionnaire Alpine autorisé;

● COMMENT SE PRÉVALOIR DE LA GARANTIE

- ① Il vous faut remettre le produit nécessitant des réparations à un centre de service autorisé Alpine ou à Alpine même et en assumer les frais de transport. Alpine a le choix entre réparer le produit ou le remplacer par un produit neuf ou révisé, le tout sans frais pour vous. Si les réparations sont couvertes par la garantie et si le produit a été envoyé à un centre de service Alpine ou à Alpine, le paiement des frais de réexpédition du produit incombe Alpine.

- ② Vous devez donner une description détaillée des problèmes qui sont à l'origine de votre demande de réparation.
- ③ Vous devez joindre la preuve de votre achat du produit.
- ④ Vous devez emballer soigneusement le produit pour éviter tout dommage durant son transport. Pour éviter la perte de l'envoi, il est conseillé de choisir un transporteur qui propose un service de suivi des envois.

● LIMITATION DES GARANTIES TACITES

LA DURÉE DE TOUTES LES GARANTIES TACITES, Y COMPRIS LA GARANTIE D'ADAPTATION À L'UTILISATION ET LA GARANTIE DE QUALITÉ LOYALE ET MARCHANDE, EST LIMITÉE À CELLE DE LA GARANTIE EXPRESSE DÉTERMINÉE CI-DESSUS. PERSONNE N'EST AUTORISÉ À ENGAGER AUTREMENT LA RESPONSABILITÉ D'ALPINE EN VERTU DE LA VENTE D'UN PRODUIT.

● EXCLUSIONS DE LA GARANTIE

ALPINE STIPULE EXPRESSÉMENT QU'ELLE N'EST PAS RESPONSABLE DES DOMMAGES-INTÉRÊTS ET DOMMAGES INDIRECTS PROVOQUÉS PAR LE PRODUIT. LES DOMMAGES-INTÉRÊTS SONT LES FRAIS DE TRANSPORT DU PRODUIT VERS UN CENTRE DE SERVICE ALPINE, LA PERTE DE TEMPS DE L'ACHETEUR ORIGINAL, LA PERTE D'UTILISATION DU PRODUIT, LES BILLETTS D'AUTOBUS, LA LOCATION DE VOITURES ET TOUS LES AUTRES FRAIS LIÉS À LA GARDE DU PRODUIT.

LES DOMMAGES INDIRECTS SONT LES FRAIS DE RÉPARATION OU DE REMPLACEMENT D'AUTRES BIENS ENDOMMAGÉS SUITE AU MAUVAIS FONCTIONNEMENT DU PRODUIT.

LES RECOURS PRÉVUS PAR LES PRÉSENTES EXCLUENT ET REMPLACENT TOUTE AUTRE FORME DE RECOURS.

● LIEN ENTRE LA GARANTIE ET LA LOI

La garantie vous donne des droits spécifiques, mais vous pouvez aussi jouir d'autres droits, qui varient d'un état ou d'une province à l'autre. En outre, certains états et certaines provinces interdisent de limiter la durée des garanties tacites ou d'exclure les dommages accessoires ou indirects. Dans ce cas, les limites et les exclusions de la garantie peuvent ne pas s'appliquer à vous.

● CLAUSE APPLICABLE AU CANADA SEULEMENT

Pour que la garantie soit valable, il faut qu'un centre d'installation autorisé ait installé le système audio pour l'auto dans votre véhicule et qu'il ait ensuite apposé son cachet sur la garantie.

● NUMÉROS D'APPEL DU SERVICE À LA CLIENTÈLE

Si vous avez besoin de nos services, veuillez appeler Alpine aux numéros ci-dessous pour le centre de service autorisé Alpine le plus proche.

AUDIO DE VOITURE	1-800-ALPINE-1 (1-800-257-4631)
NAVIGATION	1-888-NAV-HELP (1-888-628-4357)

Ou visitez notre site Web à l'adresse <http://www.alpine-usa.com>

ALPINE ÉLECTRONIQUE DE L'AMÉRIQUE, INC., 19145 Gramercy Place, Torrance, California 90501, U.S.A.

ALPINE ÉLECTRONIQUE DU CANADA, INC., 777 Supertest Road, Toronto, Ontario M3J 2M9, Canada

N'envoyez aucun produit à ces adresses.

Appelez notre numéro gratuit ou visitez notre site Web si vous recherchez un centre de service.

Índice

Manual de instrucciones

	ADVERTENCIA	
	ADVERTENCIA	2
	PRUDENCIA	3
	PRECAUCIONES	3



Operación básica

ENCENDIDO/APAGADO de la pantalla (ON/OFF)	4
Ajuste del volumen	4
Alternación de la fuente	4
Cambio de la posición de la pantalla	4
Cambio del modo de visualización.	5
Ajuste	5
Información	
En caso de dificultad	9
Especificaciones	10

Instalación y conexiones

Advertencia	11
Prudencia	11
Precauciones	12
Instalación	13
Conexiones	14



ADVERTENCIA



ADVERTENCIA

Este símbolo indica que las instrucciones son importantes. De no tenerse en cuenta, podría ocasionarse heridas graves o muerte.

NO REALICE NINGUNA OPERACIÓN QUE PUEDA DISTRAER SU ATENCIÓN Y COMPROMETER LA SEGURIDAD DURANTE LA CONDUCCIÓN DEL VEHÍCULO.

Las operaciones que requieren su atención durante más tiempo sólo deben realizarse después de detener completamente el vehículo. Estacione el vehículo en un lugar seguro antes de realizar dichas operaciones. De lo contrario, podría ocasionar un accidente.

MANTENGA EL VOLUMEN A UN NIVEL QUE NO LE IMPIDA ESCUCHAR LOS SONIDOS DEL EXTERIOR MIENTRAS CONDUCE.

De no ser así, podría ocasionar un accidente.

REDUZCA AL MÁXIMO LA VISUALIZACIÓN DE LA PANTALLA MIENTRAS CONDUCE.

El conductor puede distraer su atención de la carretera mientras mira la pantalla y ocasionar un accidente.

NO DESMONTE NI ALTERE LA UNIDAD.

Si lo hace, podrá ocasionar un accidente, un incendio o una descarga eléctrica.

UTILICE ESTE PRODUCTO CON APLICACIONES MÓVILES DE 12 V.

Si se emplea para otra aplicación distinta de la prevista, podría producirse un incendio, una descarga eléctrica u otras lesiones.

MANTENGA LOS OBJETOS PEQUEÑOS, COMO LAS PILAS, FUERA DEL ALCANCE DE LOS NIÑOS.

La ingestión de estos objetos puede provocar lesiones graves. Si esto ocurre, consulte con un médico inmediatamente.

UTILICE EL AMPERAJE CORRECTO CUANDO CAMBIE FUSIBLES.

De lo contrario, puede producirse un incendio o una descarga eléctrica.

NO MIRE EL VÍDEO MIENTRAS CONDUCE.

El conductor puede distraer su atención de la carretera mientras mira el vídeo y ocasionar un accidente.

INSTALE LA UNIDAD CORRECTAMENTE PARA QUE EL CONDUCTOR NO PUEDA VER EL VIDEO/ TELEVISOR A MENOS QUE EL VEHÍCULO SE ENCUENTRE PARADO Y SE HAYA ACCIONADO EL FRENO DE MANO.

Ver el vídeo/televisor mientras se conduce se considera peligroso. Si la unidad no se instala correctamente, el conductor podrá ver el vídeo/televisor y distraerse mientras conduce, incrementando el riesgo de accidente. Esto podría causar heridas graves al conductor y a otras personas.

PRUDENCIA

Este símbolo indica que las instrucciones son importantes. De no tenerse en cuenta, podría ocasionarse heridas graves o daños materiales.

DEJE DE USAR LA UNIDAD INMEDIATAMENTE SI APARECE ALGÚN PROBLEMA.

Su uso en estas condiciones podría ocasionar lesiones personales o daños al producto. Lleve la unidad a un distribuidor Alpine autorizado o al Centro de servicio Alpine más próximo para repararla.

PRECAUCIONES

Temperatura

Antes de encender el aparato, cerciórese de que la temperatura del interior del vehículo se encuentre entre +45°C (+113°F) y 0°C (+32°F).

Reemplazo de fusibles

Cuando tenga que reemplazar el(los) fusible(s), deberá reemplazarlos por otro(s) del mismo amperaje que el mostrado en el portafusibles. Si el(los) fusible(s) se funden más de una vez, compruebe cuidadosamente todas las instalaciones eléctricas para ver si existen cortocircuitos. Además, haga que comprueben el regulador de tensión del vehículo.

Mantenimiento

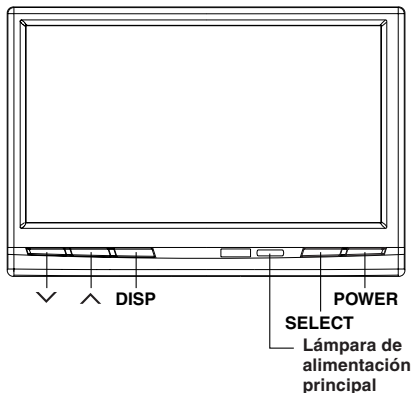
Si tiene problemas, no intente reparar el aparato por sí mismo. Devuélvalo a su distribuidor Alpine o a la estación de servicio Alpine para que se lo reparen.

Lugar de instalación

Cerciórese de que el TME-M710 no quede expuesto a:

- La luz solar directa ni al calor
- Gran humedad
- Polvo excesivo
- Vibraciones excesivas
- Después de apagar el sistema, permanecerá temporalmente en pantalla una ligera imagen fantasma. Se trata de un peculiar efecto de la tecnología LCD y es normal.
- En condiciones de temperaturas frías, es posible que la pantalla pierda contraste temporalmente. Después de un corto período de calentamiento, recuperará la normalidad.

Operación básica



Cambio de la posición de la pantalla

Si la pantalla se encuentra fuera de posición cuando, por ejemplo, el sistema de navegación se conecta al terminal AUX IN 1 o AUX IN 2 utilizando el cable de extensión RCA, cambie la posición de la pantalla.

- 1 Cambie el modo a AUX1 o AUX2 para visualizar la pantalla de navegación.
- 2 Pulse y mantenga pulsado el botón **DISP** durante por lo menos 2 segundos. Pulse y mantenga pulsado el botón **DISP** de nuevo durante por lo menos 2 segundos para volver a la posición.

ENCENDIDO/APAGADO de la pantalla (ON/OFF)

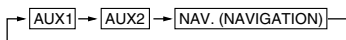
- 1 Apriete el botón **POWER**.
- 2 Para apagar apriete nuevamente el botón **POWER**.
 - Si se han realizado las conexiones correctamente, la alimentación principal (**POWER**) de los monitores se apagará cuando se desconecte la llave de encendido del vehículo moviéndola a la posición OFF. Si se ilumina la lámpara de alimentación principal en el modo STAND BY (preparado), la batería del vehículo puede descargarse.
 - Después de desconectar el sistema, perdurará temporalmente una silueta débil de la imagen. Este es un efecto peculiar y normal de la tecnología LCD.
 - Bajo condiciones de bajas temperaturas, la pantalla puede perder contraste temporalmente. Después de un período corto de calentamiento, volverá a su estado normal.

Ajuste del volumen

- 1 Ajuste el nivel de sonido presionando el botón V o ^.

Alternación de la fuente

- 1 Pulse el botón **SELECT**. Cada vez que pulse el botón pasará por los modos de la siguiente forma:



Cambio del modo de visualización.

- 1 Pulse el botón **DISP**.
Cada vez que pulse el botón pasará por los modos de la siguiente forma:



WIDE

Las imágenes con tamaño normal se expanden de manera uniforme en dirección horizontal y se visualizan en toda la pantalla.



CINEMA

Las imágenes con tamaño normal se amplían en dirección horizontal y vertical. Las partes superior e inferior de la imagen se cortan. Este modo es adecuado para imágenes de tamaño de cine de 16:9.



NORMAL

Imagen de tamaño normal (4:3)

Ajuste

- 1 Presione y mantenga presionado el botón **SELECT** por lo menos 2 segundos. Aparecerá la pantalla de ajuste.
- 2 Pulse el botón **SELECT** o **DISP** y seleccione el modo que haya que ajustar. Ajuste pulsando el botón \wedge o \vee .

SELECT : Selecciona el modo. (hacia abajo)

DISP : Selecciona el modo. (hacia arriba)

\wedge o \vee : Ajusta.

- ① Selección del modo VISUAL EQ (parámetros del fabricante) (VISUAL EQ MODE)

AUX - 1	NTSC
VISUAL EQ MODE	OFF
BRIGHT	0
COLOR	0
TINT	R 10
CONTRAST	+10
SHARP	MIN

OFF : Configuración predeterminada.

NIGHT M. : Adecuado para películas con muchas escenas negras.

SOFT : Adecuado para películas con imágenes generadas por computadora o animación.

SHARP : Adecuado para películas antiguas con resolución poco clara.

CONTRAST : Adecuado para las películas más modernas.

- Para regresar a los valores predeterminados después de seleccionar uno de los modos entre "NIGHT M." y "CONTRAST" ajustando luego el brillo de la imagen, la densidad del color, etc., ajuste esta función a "OFF".

- ② Ajuste del brillo (BRIGHT)

AUX - 1	NTSC
VISUAL EQ MODE	OFF
BRIGHT	0
COLOR	0
TINT	R 10
CONTRAST	+10
SHARP	MIN

Permite ajustar el brillo de la imagen (-15 (MIN)~+15 (MAX)).

Continuación

Operación básica

③ Ajuste de la intensidad del color (COLOR)

AUX - 1		NTSC
VISUAL EQ MODE		OFF
BRIGHT		0
COLOR		0
TINT		R 10
CONTRAST		+ 10
SHARP		MIN

El cambio de la intensidad puede ajustarse desde -15 (MIN) a +15 (MAX).

* El ajuste no se puede efectuar en el modo NAVIGATION (conexión RGB).

④ Ajuste del matiz del tono (TINT)

AUX - 1		NTSC
VISUAL EQ MODE		OFF
BRIGHT		0
COLOR		R 10
TINT		+ 10
CONTRAST		+ 10
SHARP		MIN

El matiz del tono puede ajustarse desde G15 (G MAX) a R15 (R MAX).

* El ajuste no se puede efectuar en el modo NAVIGATION (conexión RGB).

⑤ Ajuste del contraste (CONTRAST)

AUX - 1		NTSC
VISUAL EQ MODE		OFF
BRIGHT		0
COLOR		0
TINT		R 10
CONTRAST		+ 10
SHARP		MIN

El contraste puede ajustarse desde -15 (LOW) a +15 (HIGH).

⑥ Ajuste de la calidad de la pantalla (SHARP)

AUX - 1		NTSC
VISUAL EQ MODE		OFF
BRIGHT		0
COLOR		0
TINT		R 10
CONTRAST		+ 10
SHARP		SOFT

La calidad de la pantalla puede ajustarse desde -15 (SOFT) a +15 (HARD).

* El ajuste no se puede efectuar en el modo NAVIGATION (conexión RGB).

- Si se ha ajustado de ② a ⑥, el modo VISUAL EQ en ① cambia a "CUSTOM".

⑦ Ajuste del atenuador (DIMMER)

AUX - 1		NTSC
DIMMER		AUTO
DIMMER HI LEVEL		26
DIMMER LO LEVEL		MIN
SOUND OUT		MONITOR
BEEP		ON
AUX IN-1 LEVEL		HIGH
AUX IN-2 LEVEL		HIGH
NAV. IN		ON
GUIDE CONTROL		STANDARD

AUTO: Al encender/apagar la luz principal cambia el brillo de la pantalla entre DIMMER HI LEVEL y DIMMER LO LEVEL.

LOW: La retroiluminación se fija en el valor ajustado en "DIMMER LO LEVEL".

HIGH: La retroiluminación se fija en el valor ajustado en "DIMMER HI LEVEL".

⑧ Ajuste del nivel HIGH del atenuador (DIMMER HI LEVEL)

AUX - 1		NTSC
DIMMER		AUTO
DIMMER HI LEVEL		26
DIMMER LO LEVEL		MIN
SOUND OUT		MONITOR
BEEP		ON
AUX IN-1 LEVEL		HIGH
AUX IN-2 LEVEL		HIGH
NAV. IN		ON
GUIDE CONTROL		STANDARD

Ajuste el HIGH LEVEL del atenuador (16 (MIN) a 31 (MAX)).

⑨ Ajuste del nivel LOW del atenuador (DIMMER LO LEVEL)

AUX - 1		NTSC
DIMMER		AUTO
DIMMER HI LEVEL		26
DIMMER LO LEVEL		MIN
SOUND OUT		MONITOR
BEEP		ON
AUX IN-1 LEVEL		HIGH
AUX IN-2 LEVEL		HIGH
NAV. IN		ON
GUIDE CONTROL		STANDARD

Ajuste el LOW LEVEL (0 (MIN) a 15 (MAX)) del atenuador.

⑩ Cambiar la salida de sonido (SOUND OUT)

AUX - 1		NTSC
DIMMER		AUTO
DIMMER HI LEVEL		26
DIMMER LO LEVEL		MIN
SOUND OUT		MONITOR
BEEP		ON
AUX IN-1 LEVEL		HIGH
AUX IN-2 LEVEL		HIGH
NAV. IN		ON
GUIDE CONTROL		STANDARD

MONITOR: Canaliza el sonido a través de los altavoces incorporados.

HEADPHONE: Canaliza el sonido a los auriculares, si están conectados.

* Tenga en cuenta que no se canalizará el sonido si los parámetros de salida de audio no son los adecuados.

11 Ajuste del pitido (BEEP)

AUX - 1	NTSC
DIMMER	AUTO
DIMMER HI LEVEL	26
DIMMER LO LEVEL	MIN
SOUND OUT	MONITOR
BEEP	ON
AUX IN-1 LEVEL	HIGH
AUX IN-2 LEVEL	HIGH
NAV. IN	ON
GUIDE CONTROL	STANDARD

ON : El pitido suena para informarle de que se acepta la operación, cuando pulse el botón etc.

12 Ajuste del nivel de sonido de entrada externo (AUX IN-1 LEVEL/AUX IN-2 LEVEL)

AUX - 1	NTSC
DIMMER	AUTO
DIMMER HI LEVEL	26
DIMMER LO LEVEL	MIN
SOUND OUT	MONITOR
BEEP	ON
AUX IN-1 LEVEL	HIGH
AUX IN-2 LEVEL	HIGH
NAV. IN	ON
GUIDE CONTROL	STANDARD

HIGH : Ajusta el nivel del sonido en un nivel alto.

LOW : Reduce el nivel del sonido.

13 Parámetros de navegación (NAV. IN)

AUX - 1	NTSC
DIMMER	AUTO
DIMMER HI LEVEL	26
DIMMER LO LEVEL	MIN
SOUND OUT	MONITOR
BEEP	ON
AUX IN-1 LEVEL	HIGH
AUX IN-2 LEVEL	HIGH
NAV. IN	OFF

Cuando la navegación está conectada al terminal RGB, ajuste a ON.

14 Ajuste de control de guía (GUIDE CONTROL)

AUX - 1	NTSC
DIMMER	AUTO
DIMMER HI LEVEL	26
DIMMER LO LEVEL	MIN
SOUND OUT	MONITOR
BEEP	ON
AUX IN-1 LEVEL	HIGH
AUX IN-2 LEVEL	HIGH
NAV. IN	ON
GUIDE CONTROL	STANDARD

Es el ajuste de interrupción del audio para el sistema de navegación.

Asegúrese de ajustar a "STANDARD".

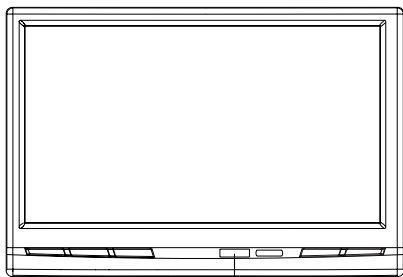
- El ajuste se puede realizar sólo cuando ON esté ajustado en "13 Parámetros de navegación (NAV. IN)".

3 Una vez realizados los ajustes, pulse y mantenga presionado el botón **SELECT** por lo menos 2 segundos.
La pantalla volverá al modo normal.

- Si no se realiza ninguna operación durante 10 segundos después de seleccionar un modo que haya que ajustar, el modo de ajuste se borrará.

Operación básica

Sensor del mando a distancia



Sensor remoto

- Recibe la señal del mando a distancia desde productos ALPINE conectados tales como navegadores y reproductores de DVD.

Información

En caso de dificultad

Si se presenta un problema, revise por favor los puntos que se mencionan en la siguiente lista de comprobación. Esta guía le permitirá aislar el problema si falla la unidad. En última instancia compruebe que el resto de los sistemas estén bien conectados o acuda a un distribuidor autorizado de Alpine.

No funciona, o no aparece nada en pantalla.

- El encendido del coche está apagado.
 - Ponga en marcha el encendido.
- No hay fusible o se ha fundido.
 - Compruebe la causa y cambie el fusible.
- Conexiones incorrectas.
 - Compruebe las conexiones y corríjalas.
- La batería del coche está baja.
 - Compruebe el voltaje de la batería del vehículo.

Imagen turbia.

- El tubo fluorescente está descargado.
 - Cambie el tubo fluorescente*.

Ninguna imagen.

- El control de brillo está programado para un control mínimo de brillo.
 - Ajuste el brillo.
- Mal ajuste de la función VCR.
 - Seleccione el modo correcto.
- El circuito de protección se ha activado por la elevada temperatura.
 - Espere hasta que la temperatura interior del vehículo baje hasta el nivel de temperatura de funcionamiento (45°C).
- Conexión incorrecta o abierta con la unidad de conexión AV, el monitor.
 - Compruebe las conexiones y corríjalas.

El color de la imagen es pobre.

- Los controles de Brillo/Color/Matiz no están en la posición correcta.
 - Compruebe todos los controles.

Aparecen líneas/barras con manchas o puntos.

- Causados por señales de neón, líneas de alto voltaje, transmisor CB, enchufes de encendido correspondientes a otro vehículo, etc.
 - Cambie la situación de su vehículo.

La unidad no funciona.

- No se enciende el monitor.
 - Active la alimentación del monitor.

La pantalla de navegación no se visualiza o las teclas del mando a distancia del sistema de navegación no funcionan.

- La alimentación del sistema de navegación está desactivada.
 - Pulse el botón ON/OFF (POWER) en el mando a distancia del sistema de navegación para activar dicho sistema.

La pantalla se encuentra fuera de posición.

- El sistema de navegación se conecta utilizando un cable de extensión RCA.
 - Pulse y mantenga pulsado el botón DISP durante por lo menos 2 segundos para cambiar la posición de la pantalla.
- * El tubo fluorescente de recambio no es gratis, ni en el periodo de garantía, por tratarse de un artículo consumible.

Información

Especificaciones

MONITOR

Tamaño de la pantalla	Tipo 6,5
Sistema del visualizador	Baja reflexión del tipo proyección posterior, panel de cristal líquido TN
Sistema de transmisión	Matriz de transmisión activa, normalmente pantalla blanca
Número de puntos en la imagen	280.800 piezas (H:1200 x V:234 puntos)
Número de puntos efectivos en la imagen	99,99% o más
Fuente de iluminación	Sistema óptico interno (tubo fluorescente catódico frío, tipo U)
Dimensiones (Anchura x Altura x Fondo)	161 x 109 x 28,5mm
Peso	270g

Equipo de conexión AV

Dimensiones (Anchura x Altura x Fondo)	130,6 x 109 x 30 mm
Peso	400g

- *Debido a la mejora continua del producto, las especificaciones y el diseño están sujetos a cambio sin previo aviso.*
- *El panel LCD está fabricado con tecnología de alta precisión y dispone de más del 99,99% de píxeles efectivos. Tenga en cuenta que es posible que falte el 0,01% de píxeles o que dicho porcentaje de los mismos esté continuamente iluminado.*

Instalación y conexiones

Antes de instalar o conectar la unidad, lea atentamente lo siguiente y las páginas 2 y 3 de este manual para un uso apropiado.

Advertencia

REALICE LAS CONEXIONES CORRECTAMENTE.

Una conexión incorrecta puede producir un incendio o dañar el equipo.

UTILICE LA UNIDAD SOLAMENTE EN VEHÍCULOS QUE TENGAN 12 VOLTIOS CON NEGATIVO A MASA.

(Consulte a su distribuidor en caso de duda.) De no ser así, podría ocasionar un incendio, etc.

ANTES DE EFECTUAR EL CABLEADO, DESCONECTE EL CABLE DEL TERMINAL NEGATIVO DE LA BATERÍA.

De no hacerlo así, podría ocasionar una descarga eléctrica o heridas debido a cortocircuitos eléctricos.

IMPIDA QUE LOS CABLES SE ENREDEN CON LOS OBJETOS SITUADOS ALREDEDOR.

Disponga la instalación eléctrica y los cables conforme a lo descrito en el manual para evitar obstáculos durante la conducción. Los cables que obstaculizan la conducción o que cuelgan de partes del vehículo como el volante de dirección, la palanca de cambios, los pedales de freno, etc., se consideran extremadamente peligrosos.

NO EMPALME CABLES ELÉCTRICOS.

Nunca corte el aislamiento de un cable para suministrar energía a otro equipo. Esto hace que la capacidad portadora del cable se supere y puede ser la causa de incendios o descargas eléctricas.

NO UTILICE TUERCAS O PERNOS EN EL SISTEMA DE FRENOS O DE DIRECCIÓN PARA REALIZAR LAS CONEXIONES A MASA.

Los pernos o tuercas empleados en los sistemas de freno de dirección (o en cualquier otro sistema relacionado con la seguridad del vehículo), o los depósitos, NUNCA deben utilizarse para instalaciones de cableado o conexión a masa. Si utiliza tales partes podrá incapacitar el control del vehículo y provocar un incendio, etc.

MANTENGA LOS OBJETOS PEQUEÑOS, COMO LAS PILAS, FUERA DEL ALCANCE DE LOS NIÑOS.

La ingestión de estos objetos puede provocar lesiones graves. Si esto ocurre, consulte con un médico inmediatamente.

NO INSTALE EL EQUIPO EN LUGARES QUE PUEDAN INTERFERIR CON LA OPERACIÓN DEL VEHÍCULO, COMO EL VOLANTE DE DIRECCIÓN O LA CAJA DE CAMBIOS DE VELOCIDAD.

Esto podría obstaculizar la visibilidad y dificultar el movimiento, etc. y provocar accidentes graves.

EVITE DAÑAR LOS TUBOS Y EL CABLEADO CUANDO TALADRE AGUJEROS.

Si taladra agujeros en el chasis durante la instalación, tome las precauciones necesarias para no rozar, dañar u obstruir los tubos, las tuberías de combustible, los depósitos o el cableado eléctrico. De lo contrario, podría provocar un incendio.

NO INSTALE EL MONITOR CERCA DEL AIRBAG DEL ASIENTO DEL PASAJERO.

Si el aparato no está bien instalado, el airbag podrá no funcionar correctamente y, cuando se despliegue el airbag, podrá hacer que el monitor salga despedido hacia arriba y ocasionar un accidente y heridas.

Prudencia

CONFÍE EL CABLEADO Y LA INSTALACIÓN A PROFESIONALES.

El cableado y la instalación de este equipo requieren una competencia y experiencia técnica confirmada. Para garantizar la seguridad, póngase siempre en contacto con el distribuidor al que ha comprado el equipo para confiarle estas tareas.

UTILICE LOS ACCESORIOS ESPECIFICADOS E INSTÁLELOS CORRECTAMENTE.

Asegúrese de utilizar los accesorios especificados solamente. La utilización de otras piezas no designadas puede ser la causa de daños en el interior de la unidad o de una instalación incorrecta. Las piezas pueden aflojarse, lo que, además de ser peligroso, puede provocar averías.

DISPONGA EL CABLEADO DE FORMA QUE LOS CABLES NO SE DOBLEN, NO SE CONTRAIGAN NI ROCEN UN BORDE METÁLICO AFILADO.

Aleje los cables y el cableado de piezas móviles (como los raíles de los asientos) o de bordes puntiagudos o afilados. De esta forma evitará dobleces y daños en el cableado. Si los cables se introducen por un orificio de metal, utilice una arandela de goma para evitar que el borde metálico del orificio corte el aislamiento del cable.

NO INSTALE LA UNIDAD EN LUGARES MUY HÚMEDOS O LLENOS DE POLVO.

Evite instalar la unidad en lugares con altos índices de humedad o polvo. Si entra polvo o humedad, el equipo puede averiarse.

Instalación y conexiones

Precauciones

- Asegúrese de desconectar el cable del borne (-) de la batería antes de instalar su TME-M710. Esto reducirá las posibilidades de que la unidad pueda sufrir cualquier daño en caso de producirse un cortocircuito.
- Asegúrese de conectar los cables codificados con color de acuerdo con el diagrama. Las conexiones mal hechas podrán ocasionar un mal funcionamiento en la unidad y daños en el sistema eléctrico del vehículo.
- Cuando haga conexiones al sistema eléctrico del automóvil, tenga en cuenta los componentes instalados en fábrica (por ejemplo, el ordenador a bordo). No conecte a estos cables para proveer corriente a la unidad. Cuando conecte el TME-M710 a la caja de fusibles, asegúrese de que el fusible destinado al circuito del TME-M710 tenga el amperaje apropiado. El no hacerlo podrá ocasionar daños a la unidad y/o al vehículo. Si no está seguro, consulte a su distribuidor ALPINE.
- El TME-M710 emplea tomas de tipo RCA hembra para la conexión a otras unidades que tengan conectores RCA. Para conectar otras unidades tal vez necesite un adaptador. Si es así, póngase en contacto con su distribuidor ALPINE para que le ayude.

IMPORTANTE

Anote el número de serie de la unidad en el espacio proporcionado a continuación y consérvelo como registro permanente. La placa del número de serie se encuentra en la parte trasera del monitor o en la parte inferior de la unidad de interconexión AV.

NÚMERO DE SERIE: _____
FECHA DE INSTALACIÓN: _____
INSTALADOR: _____
LUGAR DE ADQUISICIÓN: _____

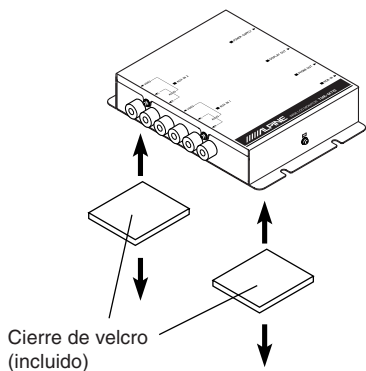
Instalación

Instalación del equipo de conexión AV

Este equipo puede instalarse en el maletero, bajo el asiento del acompañante o bajo el tablero de instrumentos. No obstante, para evitar interferencias innecesarias, lo mejor es instalar el equipo lo más cerca posible de la pantalla. **NO INSTALE EL EQUIPO DE CONEXIÓN EN LUGARES EXPUESTOS A LA HUMEDAD O A ALTAS TEMPERATURAS** (tales como el compartimiento del motor).

Montaje de cierre de velcro:

1. Coloque un cierre de velcro sobre la superficie de montaje. La parte más áspera debe estar de cara a la unidad.
2. Retire la parte trasera del adhesivo de las tiras de velcro. Presione la unidad sobre el lugar de montaje.



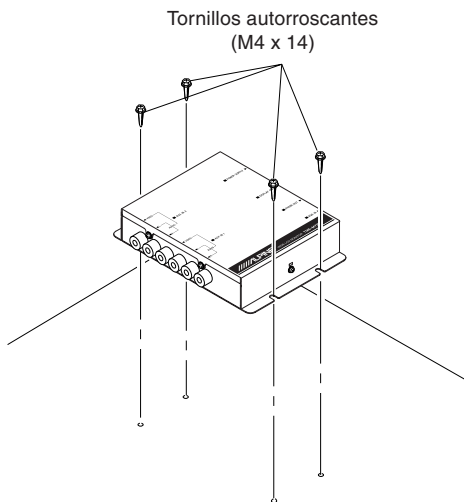
Montaje con tornillos

1. Coloque la unidad en el lugar de instalación.
2. Marque el sitio en el que irán los tornillos de montaje utilizando la unidad como plantilla.
3. Haga un agujero con un diámetro inferior a 3 mm.

ADVERTENCIA

Cuando haga un agujero en la carrocería del coche, tenga cuidado de no romper los conductos, el depósito, el cableado eléctrico, etc. Puede ocasionar un accidente o un incendio.

4. Monte fuertemente la unidad mediante 4 de los tornillos autorroscantes que se incluyen (M4 x 14).



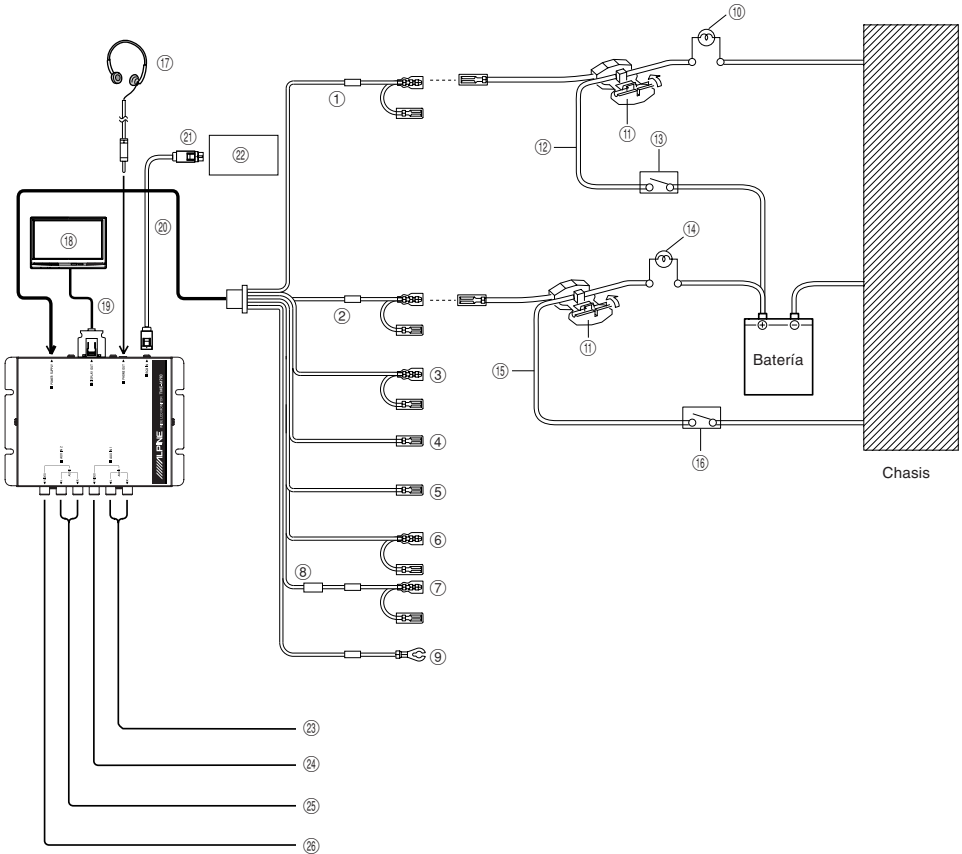
Instalación y conexiones

Conexiones

Haga la conexión correctamente.

Unas conexiones incorrectas pueden causar incendios o fallas en el funcionamiento.

Conexion básica



- ① **Conductor del freno de pie (Amarillo/Negro)**
Conecte este conductor al conductor del freno de pie que se activa cuando éste se pisa.
- ② **Conductor del freno de mano (Amarillo/Azul)**
Conecte este conductor al conductor del freno de mano que se activa cuando éste acciona.
- ③ **Cable de iluminación (Blanco/Azul)**
Este cable puede conectarse al cable de iluminación del grupo de instrumentos del automóvil. De esta forma, la luz de fondo del unidad podrá atenuarse al encender las luces del automóvil.
- ④⑤ **Conductor de salida del control remoto (Blanco/Marrón)**
Al conductor de entrada del mando a distancia de los productos ALPINE utilizados en el sistema.
- ⑥ **Cable de marcha atrás (naranja/blanco)**
Se utiliza únicamente cuando está conectada la cámara trasera. Conéctelo al polo positivo de la luz de marcha atrás del coche, que se enciende cuando la transmisión cambia a marcha atrás (R). La imagen de vídeo cambia a la cámara trasera. Está relacionado con situar el coche en marcha atrás (R).
- ⑦ **Conductor de corriente ACC (Rojo)**
Para el conductor de corriente ACC cuando la posición de la llave del motor esté en ACC.
- ⑧ **Fusible (7,5A)**
- ⑨ **Conductor de tierra (Negro)**
Conecte el conductor a una buena base en el chasis del vehículo. Asegúrese de que la conexión se realiza sobre metal puro y que está bien apretada utilizando el tornillo de chapa de metal que se facilita.
- ⑩ **Lámpara del freno de pie**
- ⑪ **Conector del freno (incluido)**
- ⑫ **Conductor del freno de pie**
- ⑬ **Interruptor del freno de pie**
- ⑭ **Lámpara del freno de mano (estacionamiento)**
- ⑮ **Conductor del freno de mano (estacionamiento)**
- ⑯ **Interruptor del freno de mano (estacionamiento)**
- ⑰ **Auricular**
- ⑱ **Monitor principal**
- ⑲ **Cable de conexión**
Si el cable es demasiado corto, utilice el cable de extensión (KWE-664N, vendido por separado).
- ⑳ **Cable RGB**
- ㉑ **Al terminal de salida RGB**
- ㉒ **Realizado por la navegación de Alpine**

- ㉓ **Conectores de entrada de audio (AUX 1)**
Utilice estos conectores para introducir señales de audio desde un reproductor DVD, platina de vídeo, etc.
- ㉔ **Conector de entrada de vídeo (AUX 1)**
Utilice este conector para introducir señales de vídeo desde un reproductor DVD, platina de vídeo, etc.
- ㉕ **Conectores de entrada de audio (AUX 2)**
Utilice estos conectores para introducir señales de audio desde un reproductor DVD, platina de vídeo, etc.
- ㉖ **Conector de entrada de vídeo (AUX 2)**
Utilice este conector para introducir señales de vídeo desde un reproductor DVD, platina de vídeo, etc.

- Cuando conecte una cámara retrovisora utilice el "AUX IN 2".

Para evitar que entre ruido externo en el sistema de audio.

- Coloque la unidad y pase los cables a 10 cm por lo menos del conjunto de cables del automóvil.
- Mantenga los conductores de la batería lo más alejados posible de otros cables.
- Conecte el conductor de puesta a masa con seguridad a un punto metálico desnudo (si es necesario, elimine el revestimiento) del chasis del automóvil.
- Si añade un supresor de ruido opcional, conéctelo lo más lejos posible de la unidad. Su proveedor Alpine dispone de varios supresores de ruido Alpine. Solicítele más información.
- Su proveedor Alpine conoce la mejor forma de evitar el ruido. Solicítele más información.

