



## Datasheet

DS000692

# TMF8805

## Time-of-Flight Sensor

v4-00 • 2021-Jul-08

---

### Abstract

The TMF8805 is a dToF (direct time of flight) optical distance sensor module achieving up to 2500mm target detection distance.

# Content Guide

<b>1</b>	<b>General Description .....</b>	<b>3</b>	8.5	INT_STATUS Register (Address 0xE1) .....	22
1.1	Key Benefits & Features.....	3	8.6	INT_ENAB Register (Address 0xE2).....	23
1.2	Applications .....	4	8.7	ID Register (Address 0xE3).....	23
1.3	Block Diagram .....	4	8.8	REVID Register (Address 0xE4) .....	24
<b>2</b>	<b>Ordering Information .....</b>	<b>5</b>	8.9	App0 Registers – appid=0xC0.....	24
<b>3</b>	<b>Pin Assignment .....</b>	<b>6</b>	8.10	Bootloader Registers – appid=0x80 .....	52
3.1	Pin Diagram.....	6	<b>9</b>	<b>Application Information.....</b>	<b>56</b>
3.2	Pin Description .....	6	9.1	SPAD Options .....	56
<b>4</b>	<b>Absolute Maximum Ratings .....</b>	<b>8</b>	9.2	Reference SPAD, TDC and Histogram .....	57
<b>5</b>	<b>Electrical Characteristics .....</b>	<b>9</b>	9.3	Schematic .....	58
5.1	Recommended Operating Conditions .....	9	9.4	PCB Layout .....	60
<b>6</b>	<b>Typical Operating Characteristics .....</b>	<b>10</b>	9.5	PCB Pad Layout .....	61
<b>7</b>	<b>Functional Description .....</b>	<b>13</b>	<b>10</b>	<b>Package Drawings &amp; Markings... 62</b>	
7.1	I <sup>2</sup> C Protocol.....	13	<b>11</b>	<b>Tape &amp; Reel Information.....</b>	<b>63</b>
7.2	System Parameters .....	13	<b>12</b>	<b>Soldering &amp; Storage Information 64</b>	
7.3	I/O.....	14	12.1	Soldering Information .....	64
7.4	Power Consumption .....	15	12.2	Storage Information .....	65
7.5	Timing.....	16	<b>13</b>	<b>Laser Eye Safety .....</b>	<b>67</b>
7.6	Algorithm Performance.....	17	<b>14</b>	<b>Revision Information .....</b>	<b>68</b>
7.7	VCSEL.....	19	<b>15</b>	<b>Legal Information.....</b>	<b>69</b>
7.8	Typical Optical Characteristics .....	19			
<b>8</b>	<b>Register Description .....</b>	<b>21</b>			
8.1	APPID Register (Address 0x00).....	21			
8.2	APPREV_MAJOR Register (Address 0x01).....	21			
8.3	APPREQID Register (Address 0x02) .....	21			
8.4	ENABLE Register (Address 0xE0) .....	22			

# 1 General Description

The TMF8805 is a time-of-flight (TOF) sensor in a single modular package with associated VCSEL. The TOF device is based on SPAD, TDC and histogram technology. The device achieves 2500 mm detection range.

## 1.1 Key Benefits & Features

The benefits and features of TMF8805, Time-of-Flight Sensor, are listed below:

**Figure 1:**  
**Added Value of Using TMF8805**

Benefits	Features
Small footprint fits in the mobile phone bezel	Modular package - 2.2 mm x 3.6 mm x 1.0 mm
Detecting central closest objects	No influence on multi object reflections
Within 5 % of measurement (accuracy); no multipath and no multiple object problems as for iToF	Time-to-Digital Converter (TDC) Direct Time-of-Flight Measurement
Better accuracy detects reliably closest object Minimum distance 20 mm Maximum distance 2500 mm	Single Photon Avalanche Photodiode (SPAD) Histogram based architecture
No complex calibration	Dynamic cover glass calibration
Compensates for dirt on glass	Reliable Operation under demanding use cases
Improved accuracy over temperature and life	Reference SPAD
Make better decisions	Distance and signal quality reported
Class 1 Eye Safe	Fast VCSEL driver with protection
Longer battery life	27 mA power consumption at 30 Hz operation 0.26 $\mu$ A power-down current consumption (EN=0)

## 1.2 Applications

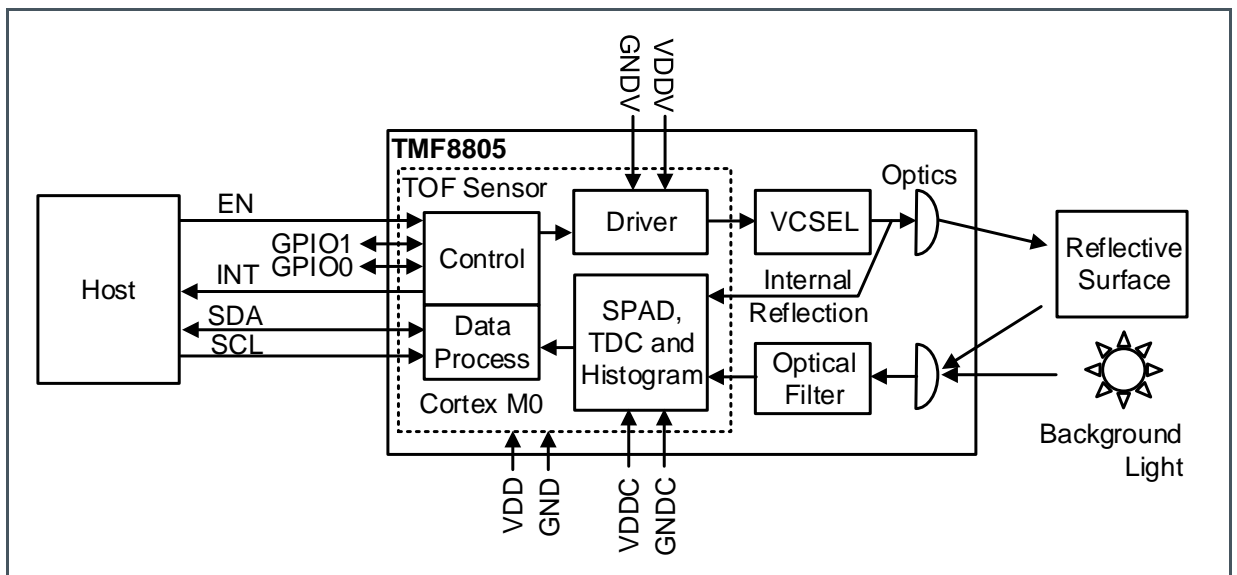
The device is ideal for use in the mobile phone market with applications including:

- Distance measurement for camera autofocus (Laser Detect Autofocus - LDAF)
- Supporting low-power system operation by enabling high-power components (i.e. 3D camera) only when an object is in the detection range
- Presence detection - Object detection
- Collision avoidance

## 1.3 Block Diagram

The functional blocks of this device are shown below:

**Figure 2:**  
**Functional Blocks of TMF8805**



---

## 2 Ordering Information

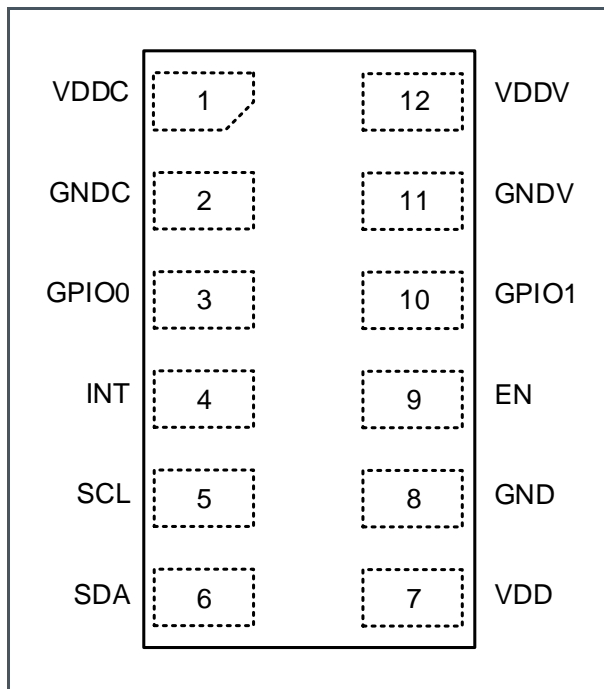
---

Ordering Code	Package	Marking	Delivery Form	Delivery Quantity
TMF8805-1BM	Optical Module	5-digit tracecode (coded)	Tape & Reel (7" reels)	500 pcs/reel
TMF8805-1B	Optical Module	5-digit tracecode (coded)	Tape & Reel (13" reels)	5000 pcs/reel

## 3 Pin Assignment

### 3.1 Pin Diagram

Figure 3:  
Pin Locations Top Through View (not to scale)



### 3.2 Pin Description

Figure 4:  
Pin Description of TMF8805

Pin Number	Pin Name	Signal Type	Description
1	VDDC	Supply	Charge pump supply voltage (3 V); add a capacitor GRM155R70J104KA01 (0402 X7R 0.1 $\mu$ F 6.3 V) to GND
2	GNDC	Ground	Charge pump ground; connect all ground pins together
3	GPIO0	I/O	General purpose input/output; default output low; leave open if not used

Pin Number	Pin Name	Signal Type	Description
4	INT	Output	Interrupt. Open-drain output; connect to GND if not used
5	SCL	Input	I <sup>2</sup> C Serial Clock
6	SDA	I/O	I <sup>2</sup> C Serial Data
7	VDD	Supply	Chip Supply voltage (3 V); add a capacitor GRM155R70J104KA01 (0402 X7R 0.1 $\mu$ F 6.3 V) to GND
8	GND	Ground	Chip Ground; connect all ground pins together
9	EN	Input	Enable input active high; setting to low forces the device into shutdown and all memory content is lost; connect to VDD if not used
10	GPIO1	I/O	General purpose input/output; default output low; leave open if not used
11	GNDV	Ground	VCSEL Ground; connect all ground pins together
12	VDDV	Supply	VCSEL Supply voltage (3 V); add a capacitor GRM155R70J104KA01 (0402 X7R 0.1 $\mu$ F 6.3 V) to GND

- (1) SDA, SCL, INT and EN have no diode to any VDD supply. Therefore even with VDD=0 V they do not block the interrupt line or I<sup>2</sup>C bus.
- (2) GPIO0 and GPIO1 are push/pull output and have a diode to VDD; therefore if VDD is not powered, GPIO0 and GPIO1 should not be driven from outside.

## 4 Absolute Maximum Ratings

Stresses beyond those listed under “Absolute Maximum Ratings” may cause permanent damage to the device. These are stress ratings only. Functional operation of the device at these or any other conditions beyond those indicated under “Operating Conditions” is not implied. Exposure to absolute maximum rating conditions for extended periods may affect device reliability.

**Figure 5**  
**Absolute Maximum Ratings of TMF8805**

Symbol	Parameter	Min	Max	Unit	Comments
<b>Electrical Parameters</b>					
VDDC, VDDV, VDD	3 V Supply voltage	-0.3	3.6	V	Connect pins VDDC, VDDV, VDD on PCB with very short connections
GNDV, GNDC, GND	Ground	0.0	0.0	V	Connect all GND pins on PCB with very short connections
GPI00, GPI01	Digital I/O terminal voltage	-0.3	VDD + 0.3 V max. 3.6 V	V	Protection diode to VDD
INT, SCL, SDA, EN	Digital I/O terminal voltage	-0.3	3.6	V	No protection diodes to any positive supply only to ground
I_SCR	Latch up immunity		± 100	mA	JEDEC JESD78E
<b>Electrostatic Discharge</b>					
ESD <sub>HBM</sub>	Electrostatic Discharge HBM		± 2000	V	JEDEC JS-001-2017
ESD <sub>CDM</sub>	Electrostatic Discharge CDM		± 500	V	JEDEC JS-002-2018
<b>Temperature Ranges and Storage Conditions</b>					
T <sub>STRG</sub>	Storage Temperature Range	-40	85	°C	
T <sub>BODY</sub>	Package Body Temperature		260	°C	IPC/JEDEC J-STD-020 <sup>(1)</sup>
RH <sub>NC</sub>	Relative Humidity (non-condensing)		85	%	
MSL	Moisture Sensitivity Level		3		Represents a maximum floor life time of 168h with T <sub>AMB</sub> < 30 °C and < 60 % r.h.

(1) The reflow peak soldering temperature (body temperature) is specified according to IPC/JEDEC J-STD-020 “Moisture/Reflow Sensitivity Classification for Nonhermetic Solid State Surface Mount Devices.”



## 5 Electrical Characteristics

All limits are guaranteed. The parameters with Min and Max values are guaranteed with production tests or SQC (Statistical Quality Control) methods.

### 5.1 Recommended Operating Conditions

Device parameters are guaranteed at nominal conditions unless otherwise noted. While the device is operational across the temperature range, functionality will vary with temperature.

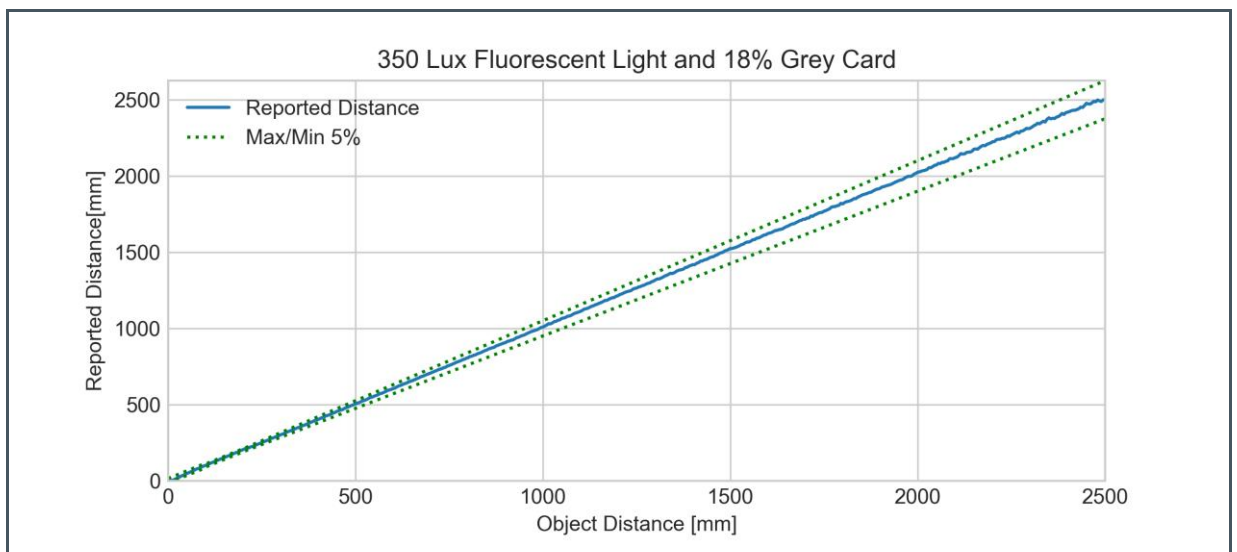
**Figure 6:**  
Recommended Operating Conditions of TMF8805

Symbol	Parameter	Min	Typ	Max	Unit	Comment
VDDV, VDDC, VDD	3 V supply voltage	2.7	3	3.3	V	
Temperature Range	Free-air temperature	-30	25	70	°C	Operational

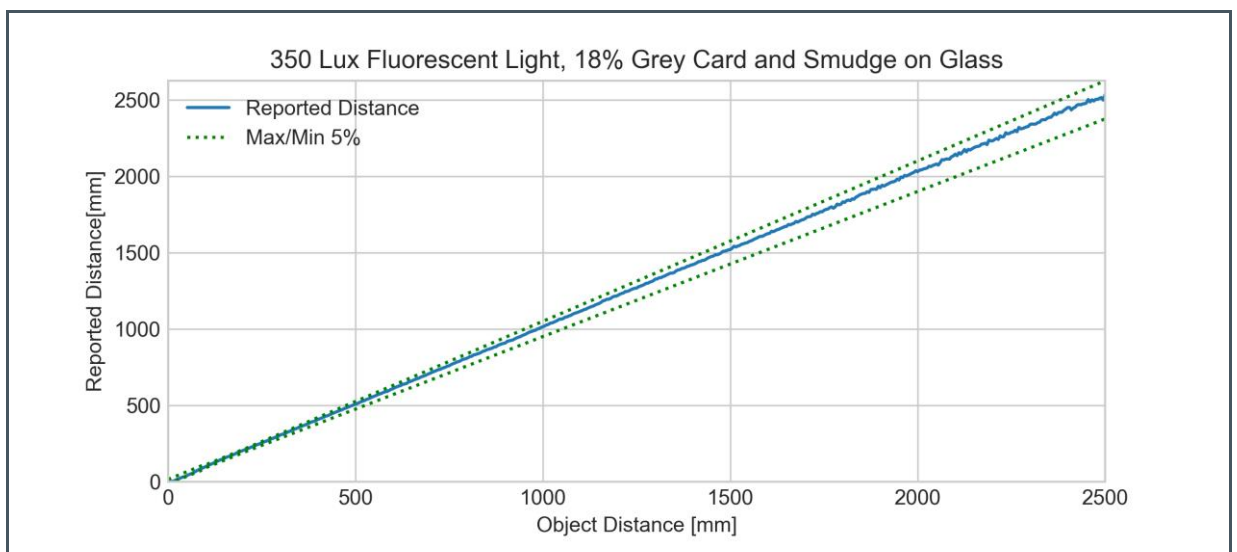
## 6 Typical Operating Characteristics

Following operating characteristics are measured with calibrated devices with full optical stack including glass and IR ink with >90 % transmissivity. The airgap is set to 0.38 mm. The ambient light is measured on the 1 m x 1 m target. A very diffuse scotch magic tape 810 is used for measurement with smudge.

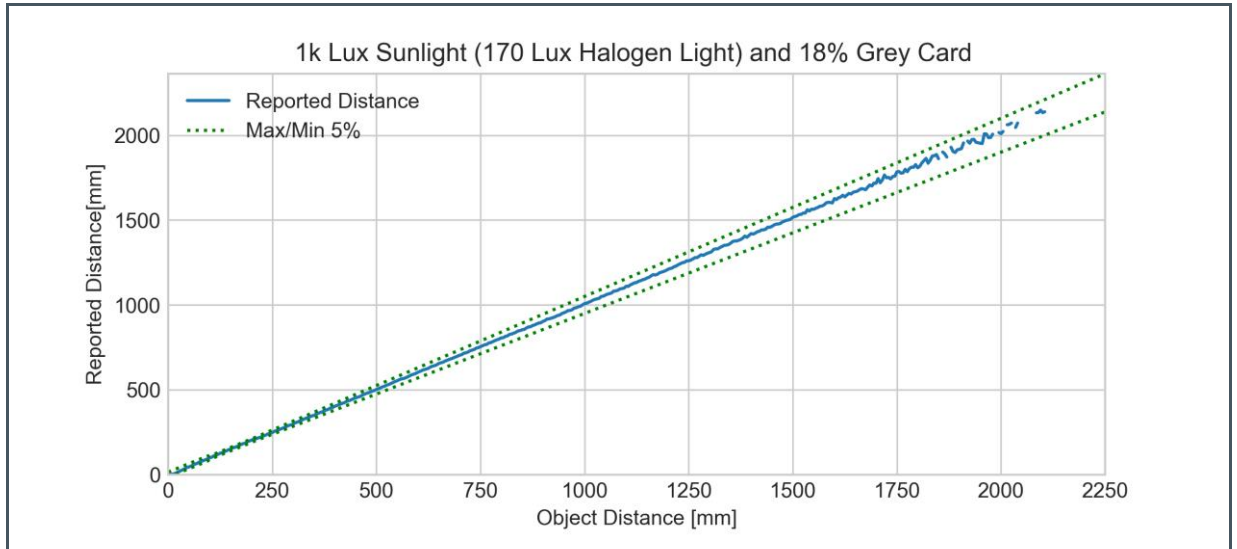
**Figure 7:**  
350 Lux Fluorescent Light and 18% Grey Card



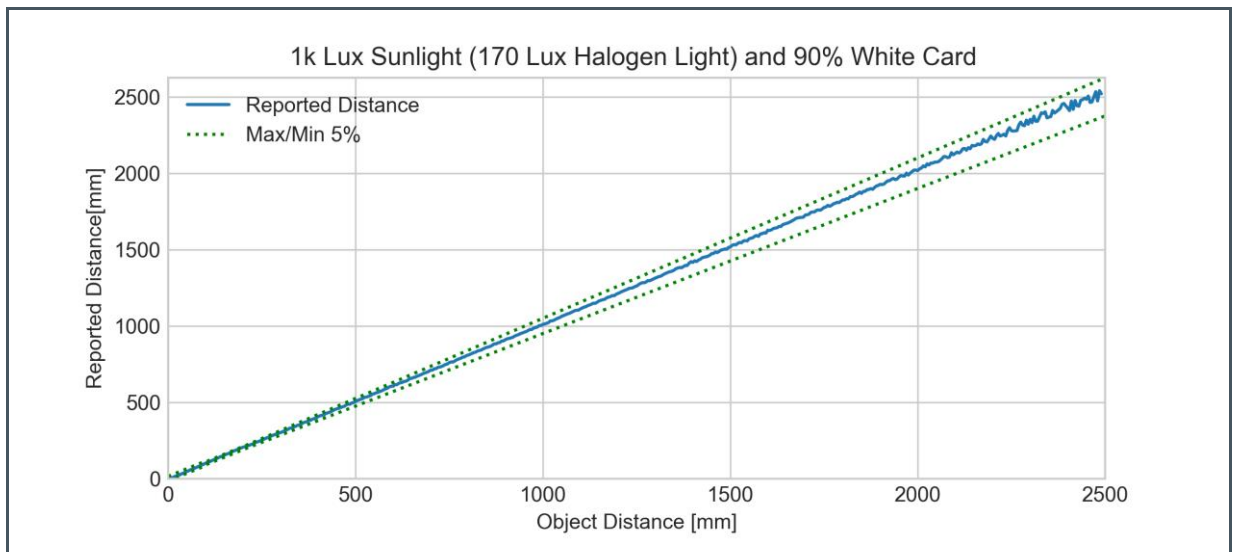
**Figure 8:**  
350 Lux Fluorescent Light, 18% Grey Card and Smudge on Glass



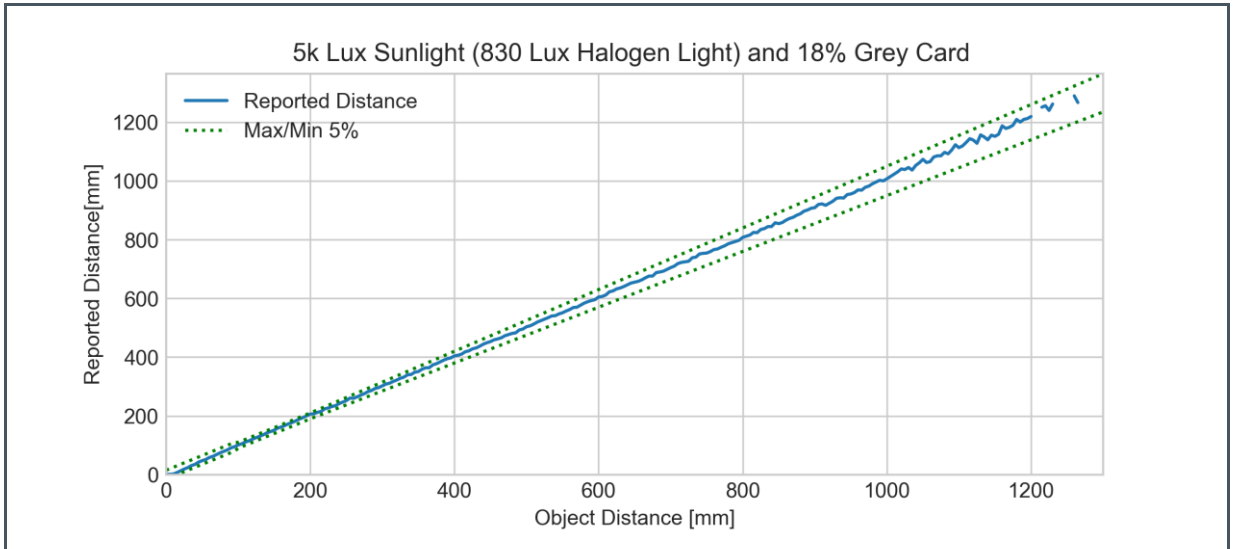
**Figure 9:**  
1 k Lux Sunlight Represented by 170 Lux Halogen Light and 18% Grey Card



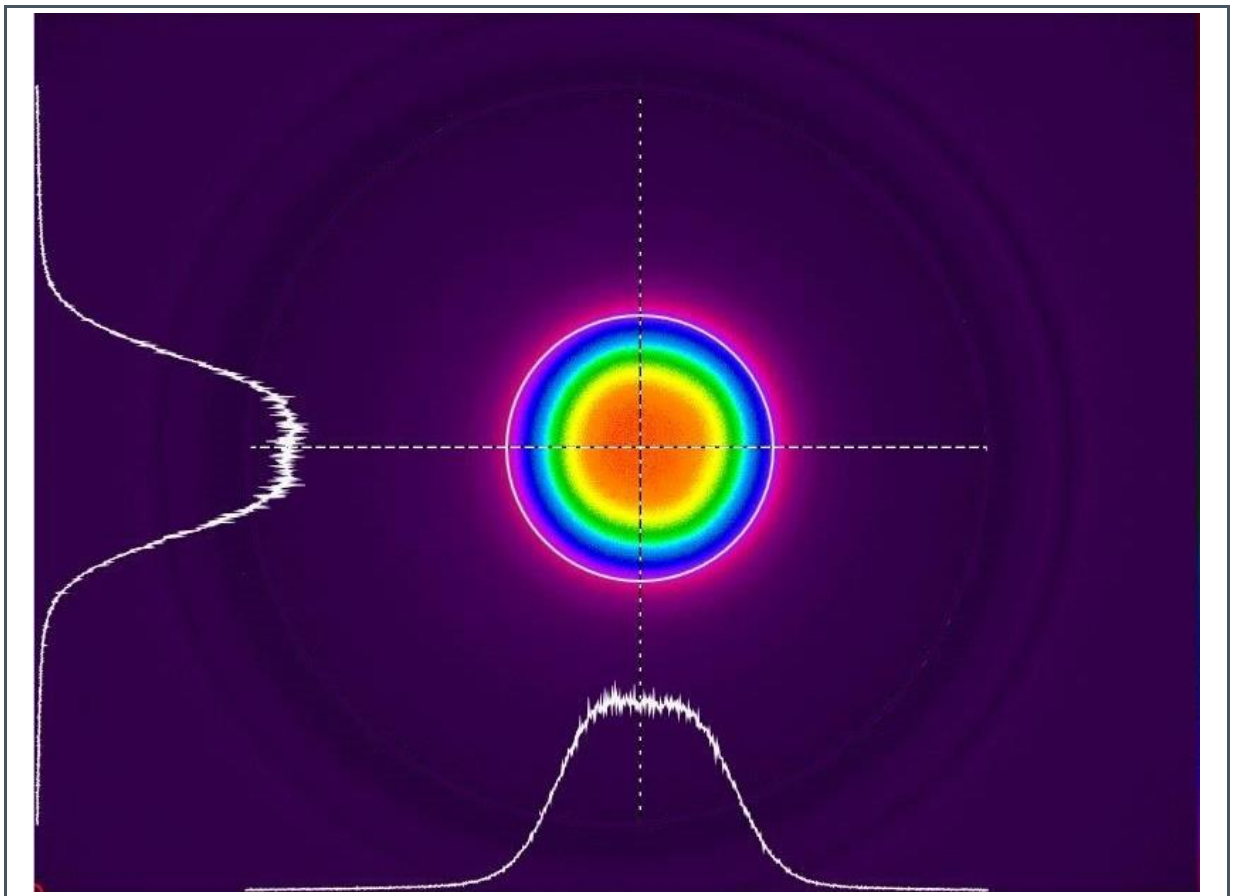
**Figure 10:**  
1 k Lux Sunlight Represented by 170 Lux Halogen Light and 90% White Card



**Figure 11:**  
5 k Lux Sunlight Represented by 830 Lux Halogen Light and 18% Grey Card



**Figure 12:**  
Field of Illumination of VCSEL (FOI), X-Axis:  $\pm 10.4^\circ$ , Y-Axis:  $\pm 10.31^\circ$ ,  $1/e^2$



---

## 7 Functional Description

---

### 7.1 I<sup>2</sup>C Protocol

The TMF8805 is controlled by an I<sup>2</sup>C bus, one interrupt pin and two GPIO pins.

The device uses I<sup>2</sup>C serial communication protocol for communication. The device supports 7-bit chip addressing and standard, fast mode and fast mode plus modes. Read and Write transactions comply with the standard set by Philips (now NXP). For a complete description of the I<sup>2</sup>C protocol, please review the NXP I<sup>2</sup>C design specification.

Internal to the device, an 8-bit buffer stores the register address location of the byte to read or write. This buffer auto-increments upon each byte transfer and is retained between transaction events (i.e. valid even after the master issues a STOP and the I<sup>2</sup>C bus is released). During consecutive Read transactions, the future/repeated I<sup>2</sup>C Read transaction may omit the memory address byte normally following the chip address byte; the buffer retains the last register address +1.

A Write transaction consists of a START, CHIP-ADDRESSWRITE, REGISTER-ADDRESSWRITE, DATA BYTE(S), and STOP. Following each byte (9TH clock pulse) the slave places an ACKNOWLEDGE/NOT-ACKNOWLEDGE (ACK/NACK) on the bus. If NACK is transmitted by the slave, the master may issue a STOP.

A Read transaction consists of a START, CHIP-ADDRESSWRITE, REGISTER-ADDRESS, RESTART, CHIP-ADDRESSREAD, DATA BYTE(S), and STOP. Following all but the final byte the master places an ACK on the bus (9TH clock pulse). Termination of the Read transaction is indicated by a NACK being placed on the bus by the master, followed by STOP.

The default I<sup>2</sup>C address is 0x41. The address can be changed after power-up. Use the enable pin to enable only one device at a time to provide unique device addresses.

---

### 7.2 System Parameters

The on-chip microprocessor is a Cortex M0  $\mu$ P.

Figure 13:  
ARM M0 Parameters

Parameter	Min	Nom	Max	Units	Comment
μP Operating Frequency		4.7	75 (=4.7*16)	MHz	The CPU can operate with the RC oscillator directly or with a 16x PLL; frequency tuning adjusts the default frequency to 4.7 MHz
RAM			32	kB	
ROM			32	kB	
Max PLL Frequency		150.4		MHz	for 4.7 MHz RC clock

## 7.3 I/O

Figure 14:  
Typical I/O Level Specification

Symbol	Parameter	Condition	Min	Typ	Max	Units
ILEAK	SDA, SCL, GPIO0/1, EN, INT		-5		5	μA
VIH <sup>(1)</sup>	SDA, SCL, GPIO0/1, EN		1.26			V
VIL_I2C <sup>(1)</sup>	SDA, SCL	2.7 V < VDD < 2.9 V, < 400 kHz I <sup>2</sup> C speed			0.3	V
		VDD > 2.9 V, < 400 kHz I <sup>2</sup> C speed			0.54	
		2.8 V < VDD < 3.0 V, < 1 MHz I <sup>2</sup> C speed			0.3	
		VDD > 3.0 V, < 1 MHz I <sup>2</sup> C speed			0.54	
VIL	GPIO0/1, EN				0.54	V
VOL	SDA, GPIO0/1, INT	2 mA sink	0		0.36	V
		4 mA sink	0		0.6	V
IDRIVE_H	GPIO0/1	1 V applied on GPIO	3.6			mA
IDRIVE_L	GPIO0/1	1 V applied on GPIO	3.9			mA

(1) The input highlevel VIH and lowlevel VIL is defined to support a pullup supply of 1.8 V ±5 %

## 7.4 Power Consumption

All current consumption values include silicon process variation. Temperature and voltages are at nominal conditions (23 °C and 2.8 V).

**Figure 15:**  
**Power Consumption**

Parameter	Condition	Min	Nom	Max	Units	Comment
I_VDD Powerdown	Enable Pin Low I <sup>2</sup> C Off	0.02	0.26	1	μA	State: Powerdown
I_VDD Standby CPU Off, RAM On OSC Off, pon=0 I <sup>2</sup> C Wakeup Only			85		μA	State: Standby
I_VDD Wait CPU Off, RAM On, OSC On 5 MHz I <sup>2</sup> C On, Timer Wakeup			140		μA	State: Wait
I_VDD Ranging Processing CPU Running at 80 MHz No VCSEL, No TDC			2.7		mA	State: Histogram processing
I_VDD Ranging Active CPU stopped VCSEL_clk_div2=0 (default), TDCs running			32.5		mA	State: Ranging active
I_VDD Ranging Active CPU stopped VCSEL_clk_div2=1, TDCs running			25.2		mA	State: Ranging active
I_VDD Ranging 30 Hz, 33 ms, default settings			27		mA	Average power consumption <sup>(1)</sup>
Peak VCSEL Current			230		mA	
Max VCSEL Duty Cycle			2		%	

(1) Current is reduced to typ. 17.7 mA if iteration is set to 600 k instead of 900 k and output data rate is maintained at 30 Hz by setting repetition\_period = 33 [ms]

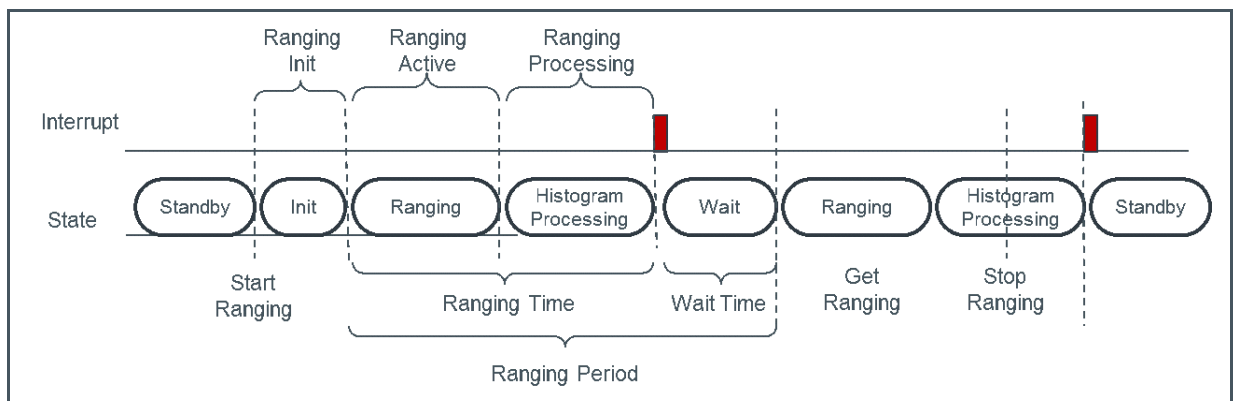
## 7.5 Timing

### 7.5.1 Ranging Acquisition Timing

Figure 16:  
Ranging Acquisition Timing

Parameter	Min	Nom	Max	Units	Comment
Ranging Time Default Settings		33		ms	Varies with operational mode
Ranging Init (including electrical calibration)		8		ms	Only done on startup and if temperature changed from last calibration
Ranging Period			209	ms	Programmable by the interface

Figure 17:  
Ranging Timing Diagram



### 7.5.2 Reset Pin and Power-Up Timing

Figure 18:  
Reset Pin and Power-Up Timing

Parameter	Min	Nom	Max	Units	Comment
Power On (Boot Time)		3		ms	Does not include RAM download time
Enable high to ready for measurement		8		ms	



Parameter	Min	Nom	Max	Units	Comment
Standby to Active Time		<<1		ms	
Active to Standby Time		<<1		ms	
Enable Low to Power Down Time		<<1		ms	

## 7.6 Algorithm Performance

As the performance of the algorithm is dependent on the ROM version, following section only applies for devices with order code TMF8805-1B (and TMF8805-1BM), calibrated and in-application oscillator calibration using the reference driver code and patched with the latest software patch from **ams** – contact **ams** to identify latest patch version.

To achieve the full distance of 250 cm, the on chip oscillator needs to be tuned to 4.7 MHz.

The TMF8805 is embedded in the application using a 0.38 mm airgap and a glass with an IR ink with >90 % transmissivity. The glass thickness is 0.5 mm. An additional mask on the opaque ink is implemented according to TMF8805 optical design guide (external document).

### 7.6.1 Calibration

To achieve the performance described in the next sections, a calibration of the algorithm needs to be performed (command = 0x0A). The TMF8805 shall be embedded in the final application and the cover glass including the IR ink needs to be assembled. The calibration test shall be done in a housing with minimal ambient light and no target within 40 cm in field of view of the TMF8805.

The TMF8805 generates a calibration data set which is permanently stored on the host.

On each power-up of the TMF8805 the calibration data set is sent by I<sup>2</sup>C to the TMF8805 prior to execution of any algorithms (commands=0x02 or 0x0B).

### 7.6.2 Algorithm Timings

The TMF8805 can adjust the number of iterations and detection threshold using registers. A default mode is defined having 900 k iterations and threshold=0.

**Figure 19:**  
**Algorithm Timings**

Parameter	Condition	Min	Nom	Max	Units
Default mode	command=0x02 or 0x03 cmd_data6=0xA3, cmd_data3=0x00, cmd_data1=0x03, cmd_data0=0x84 (900 k iterations)		33		ms

### 7.6.3 Algorithm Performance Parameters

The algorithm reports distance information of the closest object in 1 mm steps.

Using the timings described in 7.6.2 following performance is achieved:

**Figure 20:**  
**Object Detection Algorithm Parameters**

Parameter	Condition	Min	Nom	Max	Units
Reflectivity of object at 940 nm	Perpendicular to TMF8805	18		90	%
Maximum distance detection, 1.5 m x 1.5 m object	350 lux fluorescent on object, 18% grey or 90% white card		2500 <sup>(1)</sup>		mm
	170 lux halogen light on object <sup>(2)</sup> , 90% white card		2400 <sup>(1)</sup>		mm
	170 lux halogen light on object <sup>(2)</sup> , 18% grey card		1900		mm
	170 lux halogen light on object <sup>(2)</sup> , 18% grey card, smudge on glass <sup>(3)</sup>		1500		mm
	830 lux halogen light on object <sup>(4)</sup> , 18% grey card		1100		mm
Minimum distance detection, 18 % grey card, 20 cm x 26 cm			20		mm
Accuracy	Object distance ≥ 200 mm		±5		%
	100 mm ≤ object distance <200 mm		±10		mm
	20 mm ≤ object distance <100 mm		±15		mm
Transition short to long distance mode			200		mm

- (1) To achieve the full distance, the oscillator need to be tuned to 4.7 MHz. Use **ams** reference code to implement clock frequency tuning.  
Any target reported above 2500 mm should be considered as no object.
- (2) 170 lux halogen light represents 1k lux sunlight equivalent; light on object only.
- (3) Smudge on glass is defined by one layer of Scotch Magic Tape 810 (very diffuse)
- (4) 830 lux halogen light represents 5 k lux sunlight equivalent; light on object only

## 7.7 VCSEL

Internal protection ensures no single point of failure will cause the VCSEL to violate the Class 1 Laser Safety.

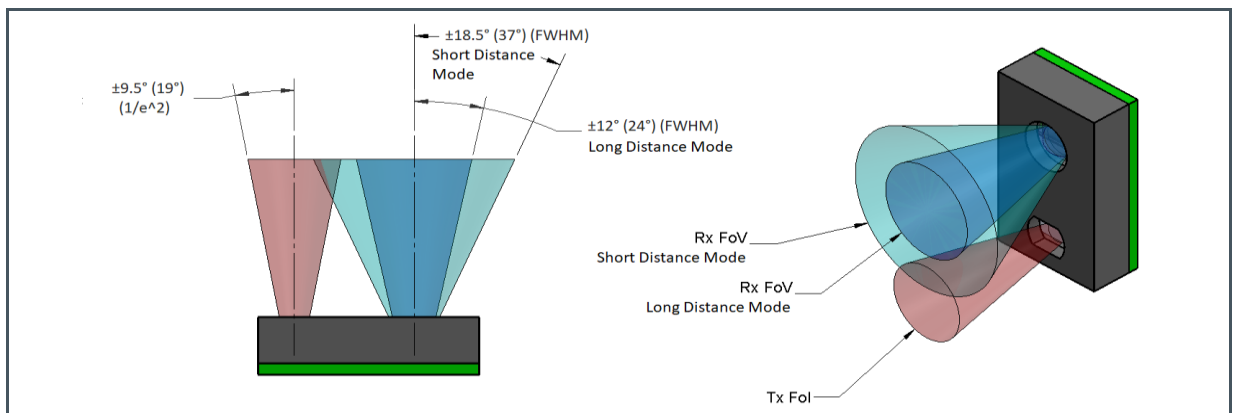
- Laser Safety Class 1
- VCSEL Pulse Rep Rate 26.6 ns (37.6 MHz)  
If VCSEL\_clk\_div=1, the frequency is divided by two.

## 7.8 Typical Optical Characteristics

- VCSEL Field of Illumination (FOI) 25° Full width from 1% of maximum up to maximum  
21° Full width from 5% of maximum up to maximum  
19° 1/e<sup>2</sup>
- TOF Sensor Field of View (FOV) 37° FWHM – for short distances  
24° FWHM – for long distances

The SPAD FoV angular response uses the full TMF8805 SPADs for short distances. The SPAD FoV is reduced when the TMF8805 operates in long distance since the SPAD array is reduced. This helps to improve ambient light tolerance.<sup>1</sup>

**Figure 21:**  
FOI/FOV of TMF8805 (used 1/e<sup>2</sup> for FOI as example)



<sup>1</sup> It depends on the size and reflectivity of the object if TMF8805 algorithm detects off-axis objects.

### 7.8.1 Filter Characteristics:

- FWHM 114 nm
- Passband Center Frequency 940 nm
- Stopband Wavelengths 350 nm – 883 nm, 997 nm – 1100 nm

## 8 Register Description

### 8.1 APPID Register (Address 0x00)

Figure 22:  
APPID Register

Addr: 0x00		APPID		
Field	Name	Rst	Type	Description
7:0	appid	0	RW	Currently running application: 0xC0 App0 – Measurement application running 0x80 bootloader running

### 8.2 APPREV\_MAJOR Register (Address 0x01)

Figure 23:  
APPREV\_MAJOR Register

Addr: 0x01		APPREV_MAJOR		
Field	Name	Rst	Type	Description
7:0	apprevMajor	0	RW	Application major revision

### 8.3 APPREQID Register (Address 0x02)

Figure 24:  
APPREQID Register

Addr : 0x02		APPREQID		
Field	Name	Rst	Type	Description
7:0	appReqid	0	RW	Application that shall be started, set this to 0x80 ... bootloader 0xC0 .... App0 – measurement application and wait until register 0x00 (APPID) shows this as application.

## 8.4 ENABLE Register (Address 0xE0)

Figure 25:  
ENABLE Register

Addr: 0xE0			ENABLE	
Field	Name	Rst	Type	Description
7	cpu_reset	0	RW_SC	Write a '1' here to reset CPU. This generates global reset, fully resetting CPU and all CPU registers. The bit resets itself, no need to explicitly clear it.
6	cpu_ready	0	RO	CPU is ready to handle I <sup>2</sup> C - if this bit is zero, then only the registers 0xe0 and above are usable, the memory mapped I <sup>2</sup> C space is not used. Bit gets set only explicitly by software, therefore a functional and running firmware is necessary for this bit to work.
0	pon	1	R_PUSH	1=activate oscillator 0=ask cpu to go to standby Activating the oscillator is implemented in hardware. Whenever this register is '0' and a '1' is being written, the oscillator is being started and CPU receives a PON1 interrupt. It is implemented in the bootloader to execute a reset at this point, but the application goes to an IDLE state. De-activating the oscillator is a software assisted process. It is important that the CPU powers down all modules properly before turning off the oscillator, therefore this is implemented in firmware. So writing a '0' to this register will trigger an internal CPU interrupt. The firmware, after powering down everything, sets the device into standby state.

## 8.5 INT\_STATUS Register (Address 0xE1)

Figure 26:  
INT\_STATUS Register

Addr: 0xE1			INT_STATUS	
Field	Name	Rst	Type	Description
1	int2	0	R_PUSH1	Raw histogram available interrupt for App0; asserted when a raw histogram can be retrieved from I <sup>2</sup> C. int2 status. If bis is asserted, and int2_enab is asserted as well, then the INT pin will be pulled low. Writing a '1' here will clear int1 condition.

Addr: 0xE1		INT_STATUS		
Field	Name	Rst	Type	Description
0	int1	0	R_PUSH1	Object detection interrupt for App0; asserted when a result from object detection is available int1 status. If bis is asserted, and int1_enab is asserted as well, then the INT pin will be pulled low. Writing a '1' here will clear int1 condition.  Note: An interrupt is raised on every result from object detection including no-target.

## 8.6 INT\_ENAB Register (Address 0xE2)

Figure 27:  
INT\_ENAB Register

Addr: 0xE2		INT_ENAB		
Field	Name	Rst	Type	Description
1	int2_enab	0	RW	Raw histogram available interrupt for App0; asserted when a raw histogram can be retrieved from I <sup>2</sup> C. 0=disabled, 1=enabled -> INT output is active if int2 flag is "1"
0	int1_enab	0	RW	Object detection interrupt for App0; asserted when a result from object detection is available 0=disabled, 1=enabled -> INT output is active if int1 flag is "1"

## 8.7 ID Register (Address 0xE3)

Figure 28:  
ID Register

Addr: 0xE3		ID		
Field	Name	Rst	Type	Description
5:0	id	0	RO	Chip ID, reads 07h – do not rely on register bits 6 and 7 of this register.

## 8.8 REVID Register (Address 0xE4)

Figure 29:  
REVID Register

Addr: 0xE4		REVID		
Field	Name	Rst	Type	Description
2:0	rev_id	0	RO	Chip revision ID

## 8.9 App0 Registers – appid=0xC0

Following registers are only available if appid=0xC0 (App0):

### 8.9.1 CMD\_DATA9 Register (Address 0x06)

Figure 30:  
CMD\_DATA9 Register

Addr: 0x06		CMD_DATA9		
Field	Name	Rst	Type	Description
7:0	cmd_data9	0	W	Command data 9 – see COMMAND Register (Address 0x10); for future extension of commands

### 8.9.2 CMD\_DATA8 Register (Address 0x07)

Figure 31:  
CMD\_DATA8 Register

Addr: 0x07		CMD_DATA8		
Field	Name	Rst	Type	Description
7:0	cmd_data8	0	W	Command data 8 – see COMMAND Register (Address 0x10); for future extension of commands



### 8.9.3 CMD\_DATA7 Register (Address 0x08)

Figure 32:  
CMD\_DATA7 Register

Addr: 0x08		CMD_DATA7		
Field	Name	Rst	Type	Description
7:0	cmd_data7	0	W	Command data 7 – see COMMAND Register (Address 0x10)

### 8.9.4 CMD\_DATA6 Register (Address 0x09)

Figure 33:  
CMD\_DATA6 Register

Addr: 0x09		CMD_DATA6		
Field	Name	Rst	Type	Description
7:0	cmd_data6	0	W	Command data 6 – see COMMAND Register (Address 0x10)

### 8.9.5 CMD\_DATA5 Register (Address 0x0A)

Figure 34:  
CMD\_DATA5 Register

Addr: 0x0A		CMD_DATA5		
Field	Name	Rst	Type	Description
7:0	cmd_data5	0	W	Command data 5 – see COMMAND Register (Address 0x10)

### 8.9.6 CMD\_DATA4 Register (Address 0x0B)

Figure 35:  
CMD\_DATA4 Register

Addr: 0x0B		CMD_DATA4		
Field	Name	Rst	Type	Description
7:0	cmd_data4	0	W	Command data 4 – see COMMAND Register (Address 0x10)

### 8.9.7 CMD\_DATA3 Register (Address 0x0C)

Figure 36:  
CMD\_DATA3 Register

Addr: 0x0C		CMD_DATA3		
Field	Name	Rst	Type	Description
7:0	cmd_data3	0	W	Command data 3 – see COMMAND Register (Address 0x10)

### 8.9.8 CMD\_DATA2 Register (Address 0x0D)

Figure 37:  
CMD\_DATA2 Register

Addr: 0x0D		CMD_DATA2		
Field	Name	Rst	Type	Description
7:0	cmd_data2	0	W	Command data 2 – see COMMAND Register (Address 0x10)

### 8.9.9 CMD\_DATA1 Register (Address 0x0E)

Figure 38:  
CMD\_DATA1 Register

Addr: 0x0E		CMD_DATA1		
Field	Name	Rst	Type	Description
7:0	cmd_data1	0	W	Command data 1 – see COMMAND Register (Address 0x10)

### 8.9.10 CMD\_DATA0 Register (Address 0x0F)

Figure 39:  
CMD\_DATA0 Register

Addr: 0x0F		CMD_DATA0		
Field	Name	Rst	Type	Description
7:0	cmd_data0	0	W	Command data 0 – see COMMAND Register (Address 0x10)

### 8.9.11 COMMAND Register (Address 0x10)

Figure 40:  
COMMAND Register

Addr: 0x10				COMMAND
Field	Name	Rst	Type	Description
7:0	command	0	RW	Direct the device to control or select contents of the registers from 0x20...0xDF
				Setting    Meaning
				0x00    No command
				Set flag to perform target distance measurement with 8 bytes of data containing where including setting of calibration (and algorithm state) configuration.
				<b>cmd_data7</b> = Bit mask which calibration/state data was downloaded from the host to TMF8805 prior to setting this command:
				<b>Bits    Definition</b>
			0x02	0    dataFactoryCal: When 1 data from register 0x20 onward includes factory calibration
				1    dataAlgState: If set, also set dataFactoryCal=1. Data from register 0x20 onwards includes factory calibration and algorithm state.
				<b>cmd_data6... cmd_data0:</b> Identical to command=0x03.
				Set flag to perform target distance measurement with 7 bytes of data containing where
				<b>cmd_data6</b> = Bit mask which algorithm is used
				<b>Bits    Definition</b>
				0    Set to '1'
				1    Set to '1'
				2    VCSEL_clk_div2: If set, operates the VCSEL clock at half frequency - see section 7.7 - and doubles the ranging active time where the VCSEL is enabled. It is recommended to use together with spread_spectrum_mode=1.
			0x03	3    Reserved; set to 0b.
				4    algImmediateInterrupt – When 1 target distance measurement will immediately report to the host an interrupt of the capturing caused by a GPIO event; when 0, will only report to the host when target distance measurement was finished
				5    When 1 combine the capture of the short and long distance histogram for maximum speed
				6    Reserved; set to 0.
				7    When 1 do not go to standby between measurements (faster measurement times but higher current consumption)

**cmd\_data5** = Bits for GPIO control

Bits	Definition
3:0	GPIO0 settings 0 - Input 1 - Input: active low disables collection, immediately abandoning current measurement. Returning to high restarts new measurement 2 - Input: active high disables collection, immediately abandoning current measurement. Returning to low restarts new measurement 3 - Output: VCSEL pulse output – see cmd_data4 4 - Output low (default after startup) 5 - Output high 6:15 – Reserved, do not use
7:4	GPIO1 settings 0 - Input 1 - Input: active low disables collection, immediately abandoning current measurement. Returning to high restarts new measurement 2 - Input: active high disables collection, immediately abandoning current measurement. Returning to low restarts new measurement 3 - Output: VCSEL pulse output – see cmd_data4 4 - Output low (default after startup) 5 - Output high 6:15 – Reserved, do not use

**cmd\_data4** = If cmd\_data5 enables VCSEL pulse output for GPIO0 and/or GPIO1, cmd\_data4 sets its timings as follows:

Value	Meaning
0	No signal
1	GPIOx, rises 0 $\mu$ s time before VCSEL pulse starts
2	GPIOx rises 100 $\mu$ s before VCSEL pulse
3	GPIOx rises 200 $\mu$ s before VCSEL pulse and so on

The falling edge of GPIOx happens at the same time the VCSEL stops emitting light.

**cmd\_data3** = Object detection threshold and spread spectrum mode

Bits	Definition
5:0	Object detection threshold – use 0 as default value
6	spread_spectrum_mode: If set, avoids aliasing of objects into measurement range. Use together with VCSEL_clk_div2=1 otherwise maximum distance is reduced and false objects at far distance can occur.
7	Set to '0'

**cmd\_data2** = repetition\_period in mSec, use 0 for single measurement; if the repetition period is set lower than the ranging time for this mode, the TMF8805 runs at it maximum possible speed (best effort approach).

**cmd\_data1** = Number of iterations, low byte; 1 LSB=1 k

**cmd\_data0** = Number of iterations, high byte; 1 LSB=1 k\*256

Once a measurement is finished, the interrupt is asserted if it is enabled by int1\_enab. Additionally the transaction ID tid is updated

Addr: 0x10		COMMAND												
Field	Name	Rst	Type	Description										
			0x0A	<p>Perform factory calibration in the final customer application including cover glass, no ambient light and no target.</p> <p>The result from the factory calibration is stored from register 0x20 onwards (14 bytes).</p>										
			0x0B	<p>Set flag to download calibration (and algorithm state) configuration to TMF8805</p> <p><b>cmd_data0</b> = Bit mask which calibration/state data was downloaded from the host to TMF8805 prior to setting this command:</p> <table border="1"> <thead> <tr> <th>Bits</th> <th>Definition</th> </tr> </thead> <tbody> <tr> <td>0</td> <td>dataFactoryCal: when 1 data from register 0x20 onward includes factory calibration</td> </tr> <tr> <td>1</td> <td>dataAlgState: if set, also set dataFactoryCal=1. Data from register 0x20 onwards includes factory calibration and algorithm state.</td> </tr> </tbody> </table>	Bits	Definition	0	dataFactoryCal: when 1 data from register 0x20 onward includes factory calibration	1	dataAlgState: if set, also set dataFactoryCal=1. Data from register 0x20 onwards includes factory calibration and algorithm state.				
Bits	Definition													
0	dataFactoryCal: when 1 data from register 0x20 onward includes factory calibration													
1	dataAlgState: if set, also set dataFactoryCal=1. Data from register 0x20 onwards includes factory calibration and algorithm state.													
			0x0F	<p>Set gpio control setting without actually performing a measurement as commands 0x02 or 0x03 would do:</p> <p><b>cmd_data0</b> = Bits for GPIO control</p> <table border="1"> <thead> <tr> <th>Bits</th> <th>Definition</th> </tr> </thead> <tbody> <tr> <td>3:0</td> <td>GPIO0 settings 0 - Input 1 - Input: active low disables collection, immediately abandoning current measurement. Returning to high restarts new measurement 2 - Input: active high disables collection, immediately abandoning current measurement. Returning to low restarts new measurement 3 - Output: VCSEL pulse output 4 - Output low 5 - Output high 6:15 - Reserved, do not use</td> </tr> <tr> <td>7:4</td> <td>GPIO1 settings 0 - Input 1 - Input: active low disables collection, immediately abandoning current measurement. Returning to high restarts new measurement 2 - Input: active high disables collection, immediately abandoning current measurement. Returning to low restarts new measurement 3 - Output: VCSEL pulse output 4 - Output low 5 - Output high 6:15 - Reserved, do not use</td> </tr> </tbody> </table>	Bits	Definition	3:0	GPIO0 settings 0 - Input 1 - Input: active low disables collection, immediately abandoning current measurement. Returning to high restarts new measurement 2 - Input: active high disables collection, immediately abandoning current measurement. Returning to low restarts new measurement 3 - Output: VCSEL pulse output 4 - Output low 5 - Output high 6:15 - Reserved, do not use	7:4	GPIO1 settings 0 - Input 1 - Input: active low disables collection, immediately abandoning current measurement. Returning to high restarts new measurement 2 - Input: active high disables collection, immediately abandoning current measurement. Returning to low restarts new measurement 3 - Output: VCSEL pulse output 4 - Output low 5 - Output high 6:15 - Reserved, do not use				
Bits	Definition													
3:0	GPIO0 settings 0 - Input 1 - Input: active low disables collection, immediately abandoning current measurement. Returning to high restarts new measurement 2 - Input: active high disables collection, immediately abandoning current measurement. Returning to low restarts new measurement 3 - Output: VCSEL pulse output 4 - Output low 5 - Output high 6:15 - Reserved, do not use													
7:4	GPIO1 settings 0 - Input 1 - Input: active low disables collection, immediately abandoning current measurement. Returning to high restarts new measurement 2 - Input: active high disables collection, immediately abandoning current measurement. Returning to low restarts new measurement 3 - Output: VCSEL pulse output 4 - Output low 5 - Output high 6:15 - Reserved, do not use													
			0x30	<p>Enable histogram readout; the internal state machine will stop when a histogram (e.g. calibration) is available and wait for readout by the host. If the selected histogram is readout, the host shall continue the state machine by sending command 0x32</p> <p><b>cmd_data3</b> = Bitmask for the histograms to be readout:</p> <table border="1"> <thead> <tr> <th>Bit</th> <th>Definition</th> </tr> </thead> <tbody> <tr> <td>0</td> <td>Always set to '0'</td> </tr> <tr> <td>1</td> <td>Set to get electrical calibration histograms</td> </tr> <tr> <td>2</td> <td>Set to get optical calibration histogram</td> </tr> <tr> <td>3</td> <td>Always set to '0'</td> </tr> </tbody> </table>	Bit	Definition	0	Always set to '0'	1	Set to get electrical calibration histograms	2	Set to get optical calibration histogram	3	Always set to '0'
Bit	Definition													
0	Always set to '0'													
1	Set to get electrical calibration histograms													
2	Set to get optical calibration histogram													
3	Always set to '0'													

Addr: 0x10		COMMAND			
Field	Name	Rst	Type	Description	
				4	Set to get short distance histograms
				6:5	Always set to '00'
				7	Set to get distance measurement histograms. Bin 127 respectively bin 255 is used as scaling factor for this type of histograms. The scaling factor is 0 for no scaling, 1 for 2x, 2 for 4x and so on.
				<b>cmd_data2</b> = Set to 0x00 <b>cmd_data1</b> = Bitmask for pileup correct histograms readout:	
				<b>Bit</b>	<b>Definition</b>
				0	Set to get pileup corrected distance measurement histograms
				1	Set to get pileup corrected sum histogram
				2	Set bit 2 to get pileup corrected short distance histogram
				7:3	Always set to 0
				<b>cmd_data0</b> = set to 0x00 Once above bitmask is set, the device is programmed to stop when the histogram is available. Set command=0x04 to actually perform the measurement.	
				0x32	After the host has readout the histogram, continue with internal processing.
				0x47	Read out serial number – results see section 0 Serial Number Readout
				Change the I <sup>2</sup> C address of TMF8805  <b>cmd_data0</b> = Condition if I <sup>2</sup> C address is changed; program the GPIOs input/output accordingly before using this feature (commands 0x02, 0x03 or 0x0F):	
				<b>Bit</b>	<b>Definition</b>
				0	mask_gpio0
				1	mask_goio1
				2	value_gpio0
				3	value_gpio1
				7:4	always set to 0
				0x49	The I <sup>2</sup> C address change is executed only if $(\text{mask\_gpio1} \& \text{GPIO1}) \ll 1 + (\text{mask\_gpio0} \& \text{GPIO0}) == \text{value\_gpio1} \ll 1 + \text{value\_gpio0}$ where GPIO1 and GPIO0 is the current status on pin GPIO1 and pin GPIO0. If this conditional programming is not used, set cmd_data0 to 0x00.
				<b>cmd_data1</b> = New I <sup>2</sup> C address	
				<b>Bit</b>	<b>Definition</b>
				0	Set to '0'
				7:1	New I <sup>2</sup> C address to be used

Addr: 0x10		COMMAND		
Field	Name	Rst	Type	Description
				Read 1 quarter of one histogram - copy histogram bits[4:2] to select TDC0...TDC4, quarter bits[1:0] into 0x20..0x9f
			0x80..0x93	NOTE: At the end of the transaction of read a quarter, the contents of the registers from 0x20-0x9F will be automatically updated, and the contents of registers REGISTER_CONTENTS and TID will be updated
				NOTE: At the end of a TDC, the TDC number will also auto increment.
			0xFF	Stop whatever you are doing as soon as possible and reenter the idle state. The current state will not be interrupted and will require leaving the current state processing to take effect. This command will stop continuous measurement.

### 8.9.12 PREVIOUS Register (Address 0x11)

Figure 41:  
PREVIOUS Register

Addr: 0x11		PREVIOUS		
Field	Name	Rst	Type	Description
7:0	previousCommand	0	RO	Previous command that was executed (or current if continues mode is selected)

### 8.9.13 APPREV\_MINOR Register (Address 0x12)

Figure 42:  
APPREV\_MINOR Register

Addr: 0x12		APPREV_MINOR		
Field	Name	Rst	Type	Description
7:0	appRevMinor	0	RO	Application minor revision



### 8.9.14 APPREV\_PATCH Register (Address 0x13)

Figure 43:  
APPREV\_PATCH Register

Addr: 0x13		APPREV_PATCH		
Field	Name	Rst	Type	Description
7:0	appRevPatch	0	RO	Application patch number

### 8.9.15 STATUS Register (Address 0x1D)

Figure 44:  
STATUS Register

Addr: 0x1D		STATUS								
Field	Name	Rst	Type	Description						
				Current status or current general operation						
7:0	status	0	RO	<table border="1"> <thead> <tr> <th>Reading</th> <th>Meaning</th> </tr> </thead> <tbody> <tr> <td>00h-0Fh</td> <td>OK</td> </tr> <tr> <td>10h-FFh</td> <td>Error</td> </tr> </tbody> </table>	Reading	Meaning	00h-0Fh	OK	10h-FFh	Error
Reading	Meaning									
00h-0Fh	OK									
10h-FFh	Error									

### 8.9.16 REGISTER\_CONTENTS Register (Address 0x1E)

Figure 45:  
REGISTER\_CONTENTS Register

Addr: 0x1E		REGISTER_CONTENTS										
Field	Name	Rst	Type	Description								
				Current contents of the I <sup>2</sup> C RAM from 0x20 to 0xEF ; the coding is as follows:								
7:0	register_contents	0	RO	<table border="1"> <thead> <tr> <th>Reading</th> <th>Meaning</th> </tr> </thead> <tbody> <tr> <td>0Ah</td> <td>Calibration data</td> </tr> <tr> <td>47h</td> <td>Serial number</td> </tr> <tr> <td>55h</td> <td>Results for commands 0x02/0x03 and 0x04</td> </tr> </tbody> </table>	Reading	Meaning	0Ah	Calibration data	47h	Serial number	55h	Results for commands 0x02/0x03 and 0x04
Reading	Meaning											
0Ah	Calibration data											
47h	Serial number											
55h	Results for commands 0x02/0x03 and 0x04											

Addr: 0x1E		REGISTER_CONTENTS		
Field	Name	Rst	Type	Description
				Raw histogram data where 80h = TDC0, bin 0...63 81h = TDC0, bin 64...127 82h = TDC0, bin 128..195 83h = TDC0, bin 196..255 84h = TDC1, bin 0...63 ... 93h = TDC4, bin 196...255

### 8.9.17 TID Register (Address 0x1F)

Figure 46:  
TID Register

Addr: 0x1F		TID		
Field	Name	Rst	Type	Description
7:0	tid	0	RO	Unique transaction ID, changes with every update of register map by TOF

### 8.9.18 Object Detection Results – If Register register\_contents = 0x55 (commands 0x02, 0x03 or 0x04)

#### RESULT\_NUMBER Register (Address 0x20)

Figure 47:  
RESULT\_NUMBER Register

Addr: 0x20		RESULT_NUMBER		
Field	Name	Rst	Type	Description
7:0	result_num	0	RO	Result number, incremented every time there is a unique answer

**RESULT\_INFO Register (Address 0x21)**

Figure 48:  
RESULT\_INFO Register

Addr: 0x21		RESULT_INFO												
Field	Name	Rst	Type	Description										
5:0	reliability	0	RO	Reliability of object - valid range 0..63 where 63 is best  When <code>alglImmediateInterrupt == 1</code> Will indicate the status of the measurement: <table border="1"> <thead> <tr> <th>Reading</th> <th>Meaning</th> </tr> </thead> <tbody> <tr> <td>0</td> <td>Short distance capture interrupted, using previous short distance only result</td> </tr> <tr> <td>1</td> <td>Short distance capture interrupted, using previous short and long distance result</td> </tr> <tr> <td>2</td> <td>Long distance capture interrupted, result is from short distance algorithm only</td> </tr> <tr> <td>3</td> <td>Complete result (short and long distance algorithm)</td> </tr> </tbody> </table>	Reading	Meaning	0	Short distance capture interrupted, using previous short distance only result	1	Short distance capture interrupted, using previous short and long distance result	2	Long distance capture interrupted, result is from short distance algorithm only	3	Complete result (short and long distance algorithm)
Reading	Meaning													
0	Short distance capture interrupted, using previous short distance only result													
1	Short distance capture interrupted, using previous short and long distance result													
2	Long distance capture interrupted, result is from short distance algorithm only													
3	Complete result (short and long distance algorithm)													
7:6	measStatus	0	RO	When <code>alglImmediateInterrupt == 0</code> Will indicate the status of the measurement: <table border="1"> <thead> <tr> <th>Reading</th> <th>Meaning</th> </tr> </thead> <tbody> <tr> <td>0</td> <td>Measurement was not interrupted</td> </tr> <tr> <td>1</td> <td>Reserved</td> </tr> <tr> <td>2</td> <td>Measurement was interrupted (delay) by GPIO interrupt</td> </tr> <tr> <td>3</td> <td>Reserved</td> </tr> </tbody> </table>	Reading	Meaning	0	Measurement was not interrupted	1	Reserved	2	Measurement was interrupted (delay) by GPIO interrupt	3	Reserved
Reading	Meaning													
0	Measurement was not interrupted													
1	Reserved													
2	Measurement was interrupted (delay) by GPIO interrupt													
3	Reserved													

**DISTANCE\_PEAK\_0 Register (Address 0x22)**

Figure 49:  
DISTANCE\_PEAK\_0 Register

Addr: 0x22		DISTANCE_PEAK_0		
Field	Name	Rst	Type	Description
7:0	distance_peak[7:0]	0	RO	Distance to the peak in [mm] of the object, least significant byte

**DISTANCE\_PEAK\_1 Register (Address 0x23)****Figure 50:**  
**DISTANCE\_PEAK\_1**

Addr: 0x23		DISTANCE_PEAK_1		
Field	Name	Rst	Type	Description
7:0	distance_peak[15:8]	0	RO	Distance to the peak in [mm] of the object, most significant byte

The sys clock registers is a running timer information – this value is counting up (and wraps around to 0 again) as long as the internal clock is running. As it is derived from the internal RC oscillator and distance information is depending on its accuracy, it can be used to correct an algorithm result by comparing this clock with a more accurate clock inside the host. It is recommended to use several measurement cycles for this clock correction.

For correctly updating of these registers by TMF8805, an I<sup>2</sup>C blockread starting from address 0x1D until 0x27 shall be done.

**SYS\_CLOCK\_0 Register (Address 0x24)****Figure 51:**  
**SYS\_CLOCK\_0 Register**

Addr: 0x24		SYS_CLOCK_0		
Field	Name	Rst	Type	Description
7:0	sys_clock[7:0]	0	RO	System clock/time stamp in units of 0.2 $\mu$ s

**SYS\_CLOCK\_1 Register (Address 0x25)****Figure 52:**  
**SYS\_CLOCK\_1 Register**

Addr: 0x25		SYS_CLOCK_1		
Field	Name	Rst	Type	Description
7:0	sys_clock[15:8]	0	RO	System clock/time stamp in units of 0.2 $\mu$ s

**SYS\_CLOCK\_2 Register (Address 0x26)**

Figure 53:  
SYS\_CLOCK\_2 Register

Addr: 0x26		SYS_CLOCK_2		
Field	Name	Rst	Type	Description
7:0	sys_clock[23:16]	0	RO	System clock/time stamp in units of 0.2 $\mu$ s

**SYS\_CLOCK\_3 Register (Address 0x27)**

Figure 54:  
SYS\_CLOCK\_3 Register

Addr: 0x27		SYS_CLOCK_3		
Field	Name	Rst	Type	Description
7:0	sys_clock[31:24]	0	RO	System clock/time stamp in units of 0.2 $\mu$ s

Algorithm state information is captured in the next registers. To allow resume of operation after power-off, algorithm state can be stored temporarily inside the host and once after power-on of TMF8805 restored to resume operation.

**STATE\_DATA\_0 Register (Address 0x28)**

Figure 55:  
STATE\_DATA\_0 Register

Addr: 0x28		STATE_DATA_0		
Field	Name	Rst	Type	Description
7:0	state_data_0	0	RO	Algorithm state data

**STATE\_DATA\_1 Register (Address 0x29)**

Figure 56:  
STATE\_DATA\_1 Register

Addr: 0x29		STATE_DATA_1		
Field	Name	Rst	Type	Description
7:0	state_data_1	0	RO	Algorithm state data

**STATE\_DATA\_2 Register (Address 0x2A)**

Figure 57:  
STATE\_DATA\_2 Register

Addr: 0x2A		STATE_DATA_2		
Field	Name	Rst	Type	Description
7:0	state_data_2	0	RO	Algorithm state data

**STATE\_DATA\_3 Register (Address 0x2B)**

Figure 58:  
STATE\_DATA\_3 Register

Addr: 0x2B		STATE_DATA_3		
Field	Name	Rst	Type	Description
7:0	state_data_3	0	RO	Algorithm state data

**STATE\_DATA\_4 Register (Address 0x2C)**

Figure 59:  
STATE\_DATA\_4 Register

Addr: 0x2C		STATE_DATA_4		
Field	Name	Rst	Type	Description
7:0	state_data_4	0	RO	Algorithm state data

**STATE\_DATA\_5 Register (Address 0x2D)**

Figure 60:  
STATE\_DATA\_5 Register

Addr: 0x2D		STATE_DATA_5		
Field	Name	Rst	Type	Description
7:0	state_data_5	0	RO	Algorithm state data

**STATE\_DATA\_6 Register (Address 0x2E)**

Figure 61:  
STATE\_DATA\_6 Register

Addr: 0x2E		STATE_DATA_6		
Field	Name	Rst	Type	Description
7:0	state_data_6	0	RO	Algorithm state data

**STATE\_DATA\_7 Register (Address 0x2F)**

Figure 62:  
STATE\_DATA\_7 Register

Addr: 0x2F		STATE_DATA_7		
Field	Name	Rst	Type	Description
7:0	state_data_7	0	RO	Algorithm state data

**STATE\_DATA\_8\_XTALK\_MSB Register (Address 0x30)**

Figure 63:  
STATE\_DATA\_8 Register

Addr: 0x30		STATE_DATA_8_XTALK_MSB		
Field	Name	Rst	Type	Description
7:0	xtalk_msb	0	RO	Crosstalk peak value MSB byte; only valid with minimal ambient light and no target within 40 cm in field of view of the TMF8805

**STATE\_DATA\_9\_XTALK\_LSB Register (Address 0x31)**

Figure 64:  
STATE\_DATA\_9 Register

Addr: 0x31		STATE_DATA_9_XTALK_LSB		
Field	Name	Rst	Type	Description
7:0	xtalk_lsb	0	RO	Crosstalk peak value LSB byte; only valid with minimal ambient light and no target within 40 cm in field of view of the TMF8805

**STATE\_DATA\_10\_TJ Register (Address 0x32)**

Figure 65:  
STATE\_DATA\_10\_TEMPERATURE Register

Addr: 0x32		STATE_DATA_10_TJ		
Field	Name	Rst	Type	Description
7:0	temperature	0	RO	8 bit signed integer of the TMF8805 sensor DIE junction temperature in °Celsius (e.g. "25" means 25°C)

Reference hits and object hits are used for information purposes of the target object and are only reported if a target is detected with the distance algorithm.



**REFERENCE\_HITS\_0 Register (Address 0x33)**

Figure 66:  
REFERENCE\_HITS\_0 Register

Addr: 0x33		REFERENCE_HITS_0		
Field	Name	Rst	Type	Description
7:0	reference_hits[7:0]	0	RO	Sum of the reference SPADs hits during the distance measurement; zero if no object is detected or distance algorithm is not used

**REFERENCE\_HITS\_1 Register (Address 0x34)**

Figure 67:  
REFERENCE\_HITS\_1 Register

Addr: 0x34		REFERENCE_HITS_1		
Field	Name	Rst	Type	Description
7:0	reference_hits[15:8]	0	RO	Sum of the reference SPADs hits during the distance measurement; zero if no object is detected or distance algorithm is not used

**REFERENCE\_HITS\_2 Register (Address 0x35)**

Figure 68:  
REFERENCE\_HITS\_2 Register

Addr: 0x35		REFERENCE_HITS_2		
Field	Name	Rst	Type	Description
7:0	reference_hits[23:16]	0	RO	Sum of the reference SPADs hits during the distance measurement; zero if no object is detected or distance algorithm is not used

**REFERENCE\_HITS\_3 Register (Address 0x36)**

Figure 69:  
REFERENCE\_HITS\_3 Register

Addr: 0x36		REFERENCE_HITS_3		
Field	Name	Rst	Type	Description
7:0	reference_hits[31:24]	0	RO	Sum of the reference SPADs hits during the distance measurement; zero if no object is detected or distance algorithm is not used

**OBJECT\_HITS\_0 Register (Address 0x37)**

Figure 70:  
OBJECT\_HITS\_0 Register

Addr: 0x37		OBJECT_HITS_0		
Field	Name	Rst	Type	Description
7:0	object_hits[7:0]	0	RO	Sum of the object SPADs hits during the distance measurement; zero if no object is detected or distance algorithm is not used

**OBJECT\_HITS\_1 Register (Address 0x38)**

Figure 71:  
OBJECT\_HITS\_1 Register

Addr: 0x38		OBJECT_HITS_1		
Field	Name	Rst	Type	Description
7:0	object_hits[15:8]	0	RO	Sum of the object SPADs hits during the distance measurement; zero if no object is detected or distance algorithm is not used

**OBJECT\_HITS\_2 Register (Address 0x39)**

Figure 72:  
OBJECT\_HITS\_2 Register

Addr: 0x39		OBJECT_HITS_2		
Field	Name	Rst	Type	Description
7:0	object_hits[23:16]	0	RO	Sum of the object SPADs hits during the distance measurement; zero if no object is detected or distance algorithm is no used

**OBJECT\_HITS\_3 Register (Address 0x3A)**

Figure 73:  
OBJECT\_HITS\_3 Register

Addr: 0x3A		OBJECT_HITS_3		
Field	Name	Rst	Type	Description
7:0	object_hits[31:24]	0	RO	Sum of the object SPADs hits during the distance measurement; zero if no object is detected or distance algorithm is no used

**8.9.19 Calibration and Algorithm State Data Exchange**

These registers shall be pre-loaded by the host before command=0x02 or 0x0B is executed

**FACTORY\_CALIB\_0 Register (Address 0x20)**

Figure 74:  
FACTORY\_CALIB\_0 Register

Addr: 0x20		FACTORY_CALIB_0		
Field	Name	Rst	Type	Description
7:0	factory_calib_0	0	RW	Factory calibration data Bits [3:0] are format revision Bits [7:4] are bits [3:0] of crosstalk measurement; this is a summed value – for crosstalk specification according to ODG use xtalk_msb and xtalk_lsb.

**FACTORY\_CALIB\_1 Register (Address 0x21)**

Figure 75:  
FACTORY\_CALIB\_1 Register

Addr: 0x21		FACTORY_CALIB_1		
Field	Name	Rst	Type	Description
7:0	factory_calib_1	0	RW	Factory calibration data Bits [11:4] of crosstalk measurement; this is a summed value – for crosstalk specification according to ODG use xtalk_msb and xtalk_lsb.

**FACTORY\_CALIB\_2 Register (Address 0x22)**

Figure 76:  
FACTORY\_CALIB\_2 Register

Addr: 0x22		FACTORY_CALIB_2		
Field	Name	Rst	Type	Description
7:0	factory_calib_2	0	RW	Factory calibration data Bits [19:12] of crosstalk measurement; this is a summed value – for crosstalk specification according to ODG use xtalk_msb and xtalk_lsb.

**FACTORY\_CALIB\_3 Register (Address 0x23)**

Figure 77:  
FACTORY\_CALIB\_3 Register

Addr: 0x23		FACTORY_CALIB_3		
Field	Name	Rst	Type	Description
7:0	factory_calib_3	0	RW	Factory calibration data

**FACTORY\_CALIB\_4 Register (Address 0x24)**

Figure 78:  
FACTORY\_CALIB\_4 Register

Addr: 0x24		FACTORY_CALIB_4		
Field	Name	Rst	Type	Description
7:0	factory_calib_4	0	RW	Factory calibration data

**FACTORY\_CALIB\_5 Register (Address 0x25)**

Figure 79:  
FACTORY\_CALIB\_5 Register

Addr: 0x25		FACTORY_CALIB_5		
Field	Name	Rst	Type	Description
7:0	factory_calib_5	0	RW	Factory calibration data

**FACTORY\_CALIB\_6 Register (Address 0x26)**

Figure 80:  
FACTORY\_CALIB\_6 Register

Addr: 0x26		FACTORY_CALIB_6		
Field	Name	Rst	Type	Description
7:0	factory_calib_6	0	RW	Factory calibration data

**FACTORY\_CALIB\_7 Register (Address 0x27)**

Figure 81:  
FACTORY\_CALIB\_7 Register

Addr: 0x27		FACTORY_CALIB_7		
Field	Name	Rst	Type	Description
7:0	factory_calib_7	0	RW	Factory calibration data

**FACTORY\_CALIB\_8 Register (Address 0x28)**

Figure 82:  
FACTORY\_CALIB\_8 Register

Addr: 0x28		FACTORY_CALIB_8		
Field	Name	Rst	Type	Description
7:0	factory_calib_8	0	RW	Factory calibration data

**FACTORY\_CALIB\_9 Register (Address 0x29)**

Figure 83:  
FACTORY\_CALIB\_9 Register

Addr: 0x29		FACTORY_CALIB_9		
Field	Name	Rst	Type	Description
7:0	factory_calib_9	0	RW	Factory calibration data

**FACTORY\_CALIB\_10 Register (Address 0x2A)**

Figure 84:  
FACTORY\_CALIB\_10 Register

Addr: 0x2A		FACTORY_CALIB_10		
Field	Name	Rst	Type	Description
7:0	factory_calib_10	0	RW	Factory calibration data

**FACTORY\_CALIB\_11 Register (Address 0x2B)**

Figure 85:  
FACTORY\_CALIB\_11 Register

Addr: 0x2B		FACTORY_CALIB_11		
Field	Name	Rst	Type	Description
7:0	factory_calib_11	0	RW	Factory calibration data

**FACTORY\_CALIB\_12 Register (Address 0x2C)**

Figure 86:  
FACTORY\_CALIB\_12 Register

Addr: 0x2C		FACTORY_CALIB_12		
Field	Name	Rst	Type	Description
7:0	factory_calib_12	0	RW	Factory calibration data

**FACTORY\_CALIB\_13 Register (Address 0x2D)**

Figure 87:  
FACTORY\_CALIB\_13 Register

Addr: 0x2D		FACTORY_CALIB_13		
Field	Name	Rst	Type	Description
7:0	factory_calib_13	0	RW	Factory calibration data

If algorithm state data is sent to TMF8805 following registers shall be pre-loaded by the host before command=0x02 or 0x0B is executed.



**Information**

If only algorithm state data and no calibration data is sent to TMF8805, pre-load algorithm state data starting from address 0x20 instead of 0x2E.

**STATE\_DATA\_WR\_0 Register (Address 0x2E)**

Figure 88:  
STATE\_DATA\_WR\_0 Register

Addr: 0x2E		STATE_DATA_WR_0		
Field	Name	Rst	Type	Description
7:0	state_data_wr_0	0	RW	Algorithm state data

**STATE\_DATA\_WR\_1 Register (Address 0x2F)**

Figure 89:  
STATE\_DATA\_WR\_1 Register

Addr: 0x2F		STATE_DATA_WR_1		
Field	Name	Rst	Type	Description
7:0	state_data_wr_1	0	RW	Algorithm state data

**STATE\_DATA\_WR\_2 Register (Address 0x30)**

Figure 90:  
STATE\_DATA\_WR\_2 Register

Addr: 0x30		STATE_DATA_WR_2		
Field	Name	Rst	Type	Description
7:0	state_data_wr_2	0	RW	Algorithm state data

**STATE\_DATA\_WR\_3 Register (Address 0x31)**

Figure 91:  
STATE\_DATA\_WR\_3 Register

Addr: 0x31		STATE_DATA_WR_3		
Field	Name	Rst	Type	Description
7:0	state_data_wr_3	0	RW	Algorithm state data

**STATE\_DATA\_WR\_4 Register (Address 0x32)**

Figure 92:  
STATE\_DATA\_WR\_4 Register

Addr: 0x32		STATE_DATA_WR_4		
Field	Name	Rst	Type	Description
7:0	state_data_wr_4	0	RW	Algorithm state data



**STATE\_DATA\_WR\_5 Register (Address 0x33)**

Figure 93:  
STATE\_DATA\_WR\_5 Register

Addr: 0x33		STATE_DATA_WR_5		
Field	Name	Rst	Type	Description
7:0	state_data_wr_5	0	RW	Algorithm state data

**STATE\_DATA\_WR\_6 Register (Address 0x34)**

Figure 94:  
STATE\_DATA\_WR\_6 Register

Addr: 0x34		STATE_DATA_WR_6		
Field	Name	Rst	Type	Description
7:0	state_data_wr_6	0	RW	Algorithm state data

**STATE\_DATA\_WR\_7 Register (Address 0x35)**

Figure 95:  
STATE\_DATA\_WR\_7 Register

Addr: 0x35		STATE_DATA_WR_7		
Field	Name	Rst	Type	Description
7:0	state_data_wr_7	0	RW	Algorithm state data

**STATE\_DATA\_WR\_8 Register (Address 0x36)**

Figure 96:  
STATE\_DATA\_WR\_8 Register

Addr: 0x36		STATE_DATA_WR_8		
Field	Name	Rst	Type	Description
7:0	state_data_wr_8	0	RW	Algorithm state data

**STATE\_DATA\_WR\_9 Register (Address 0x37)**

Figure 97:  
STATE\_DATA\_WR\_9 Register

Addr: 0x37		STATE_DATA_9		
Field	Name	Rst	Type	Description
7:0	state_data_wr_9	0	RW	Algorithm state data

**STATE\_DATA\_WR\_10 Register (Address 0x38)**

Figure 98:  
STATE\_DATA\_WR\_10 Register

Addr: 0x38		STATE_DATA_WR_10		
Field	Name	Rst	Type	Description
7:0	state_data_wr_10	0	RW	Algorithm state data

**8.9.20 Raw Histogram Output – If Register register\_contents=0x80...0x93**

**HISTOGRAM\_START Register (Address 0x20)**

Figure 99:  
HISTOGRAM\_START Register

Addr: 0x20		HISTOGRAM_START		
Field	Name	Rst	Type	Description
7:0	hist_start	0	RW	Quarter of histogram first byte

...all bytes until...

**HISTOGRAM\_END Register (Address 0x9F)**

Figure 100:  
HISTOGRAM\_END Register

Addr: 0x9F		HISTOGRAM_END		
Field	Name	Rst	Type	Description
7:0	hist_end	0	RW	Quarter of histogram last byte

**8.9.21 Serial Number Readout – If Register register\_contents=0x47**

**SERIAL\_NUMBER\_0 Register (Address 0x28)**

Figure 101:  
SERIAL\_NUMBER\_0 Register

Addr: 0x28		SERIAL_NUMBER_0		
Field	Name	Rst	Type	Description
7:0	serial_number_0	0	RW	Serial number byte 0

**SERIAL\_NUMBER\_1 Register (Address 0x29)**

Figure 102:  
SERIAL\_NUMBER\_1 Register

Addr: 0x29		SERIAL_NUMBER_1		
Field	Name	Rst	Type	Description
7:0	serial_number_1	0	RW	Serial number byte 1

**IDENTIFICATION\_NUMBER\_0 (Address 0x2A)**

Figure 103:  
IDENTIFICATION\_NUMBER\_0 Register

Addr: 0x2A		IDENTIFICATION_NUMBER_0		
Field	Name	Rst	Type	Description
7:0	identification_number_0	0	RW	Identification number byte 0

**IDENTIFICATION\_NUMBER\_1 (Address 0x2B)**

Figure 104:  
IDENTIFICATION\_NUMBER\_1 Register

Addr: 0x2B		IDENTIFICATION_NUMBER_1		
Field	Name	Rst	Type	Description
7:0	identification_number_1	0	RW	Identification number byte 1

The binary concatenated number of serial\_number\_0: serial\_number\_1: identification\_number\_0: identification\_number\_1 registers result in a unique number.

## 8.10 Bootloader Registers – appid=0x80

Following registers are only available if appid=0x80 (Bootloader):

### 8.10.1 BL\_CMD\_STAT (Address 0x08)

Figure 105:  
BL\_CMD\_STAT Register

Addr: 0x08		BL_CMD_STAT		
Field	Name	Rst	Type	Description
7:0	bl_cmd_stat	0	RW	Write: Bootloader Command – see section Bootloader Commands Read: Bootloader Status – anything else than 0x00 means an error

### 8.10.2 BL\_SIZE (Address 0x09)

Figure 106:  
BL\_SIZE Register

Addr: 0x09		BL_SIZE		
Field	Name	Rst	Type	Description
6:0	bl_size	0	RW	Data size in bytes

### 8.10.3 BL\_DATA (Address 0x0A-0x8A)

Figure 107:  
BL\_DATA Register

Addr: 0x0A-0x8A		BL_DATA		
Field	Name	Rst	Type	Description
7:0	bl_data0 ... bl_data127	0	RW	Up to 128 data bytes for bootloader commands

### 8.10.4 BL\_CSUM (Address 0x8B)

Figure 108:  
BL\_CSUM Register

Addr: 0x8B		BL_CSUM		
Field	Name	Rst	Type	Description
7:0	bl_csum	0	RW	Checksum for Sum(Command + Data Size + Data itself) XOR 0xFF

### 8.10.5 Bootloader Commands

The following commands (bl\_cmd\_stat) are supported by the bootloader:

Command	Value	Meaning
RAMREMAP_RESET	0x11	Remap RAM to Address 0 and Reset
DOWNLOAD_INIT	0x14	Initialize for RAM download from host to TMF8805

Command	Value	Meaning
W_RAM	0x41	Write RAM Region (Plain = not encoded into e.g. Intel Hex Records)
ADDR_RAM	0x43	Set the read/write RAM pointer to a given address

**RAMREMAP\_RESET = Execute Program Downloaded to RAM**

This command remaps the RAM to address 0 and performs a System reset (see also command RESET).

Command is performed immediately without any delay.

After this the application that is located in RAM will be running. If there is no valid application you will need to do a HW reset (toggle enable pin or power cycle).

**Figure 109:**  
**RAMREMAP\_RESET**

Address	Value	Meaning
BL_CMD_STAT	0x11	REMAP RAM to 0 and RESET
BL_SIZE	0	No parameters
BL_CSUM	0xEE	

**DOWNLOAD\_INIT**

This command is used to initialize the download HW for secure devices.

**Figure 110:**  
**DOWNLOAD\_INIT**

Address	Value	Meaning
BL_CMD_STAT	0x14	Initialize the HW for download from host to TMF8805 RAM
BL_SIZE	1	
BL_DATA0	0..0xFF	Seed
BL_CSUM	0..0xFF	

**W\_RAM**

This command writes the given data to a defined RAM region. Note that the RAM pointer has first to be set by the command ADDR\_RAM. After the command is successfully executed the RAM pointer will point to the first byte after the written region.

**Figure 111:**  
**W\_RAM**

Address	Value	Meaning
BL_CMD_STAT	0x41	Write to main RAM
BL_SIZE	0..0x80	Number of bytes to be written
BL_DATA0	0..0xFF	1 <sup>st</sup> byte to be written
BL_DATA1	0..0xFF	2 <sup>nd</sup> byte to be written
...		
BL_DATA127	0..0xFF	128 <sup>th</sup> byte to be written (only if size was 0x80)
BL_CSUM	0..0xFF	The CSUM comes immediately after the data.

**ADDR\_RAM**

This command is to specify the RAM pointer location for the next R\_RAM or W\_RAM command.

**Figure 112:**  
**ADDR\_RAM**

Address	Value	Meaning
BL_CMD_STAT	0x43	Specify the address of the next RAM read or write.
BL_SIZE	2	
BL_DATA0	0..0xFF	LSB of address in RAM
BL_DATA1	0..0xFF	MSB of address in RAM
BL_CSUM	0..0xFF	

## 9 Application Information

### 9.1 SPAD Options

#### 9.1.1 Signal SPADs

Firmware can enable/disable SPADs in the array as needed.

**Figure 113:**  
Signal SPADs

	Min	Nom	Max	Comment
1x SPADS			72	
10x Attenuated SPADs			16	
100x Attenuated SPADs			16	

Physically there are  $4 \times 32 = 128$  signal SPADs, but SPADs with too high dark count rate are disabled during production test. There are four TDCs (TDC1...TDC4) connected to the output of the SPADs. Each of the TDCs is connected to an array of 32 SPADs (SPADs with too high dark count rate are disabled). In distance mode the number of SPADs are reduced to typ. 40 SPADs to limit the FOV of the TMF8805.

#### 9.1.2 Reference SPADs

**Figure 114:**  
Reference SPADs

	Min	Nom	Max	Comment
100x Attenuated SPADs			9	

Due to the high light intensity from the VCSEL which is located very close to the reference SPADs and has no optical barrier like the signal SPADs only highly attenuated SPADs are used. Physically there are 12 reference SPADs, but SPADs with too high dark count rate are disabled during production test. There is one TDC (TDC0) connected to the output of the SPADs.



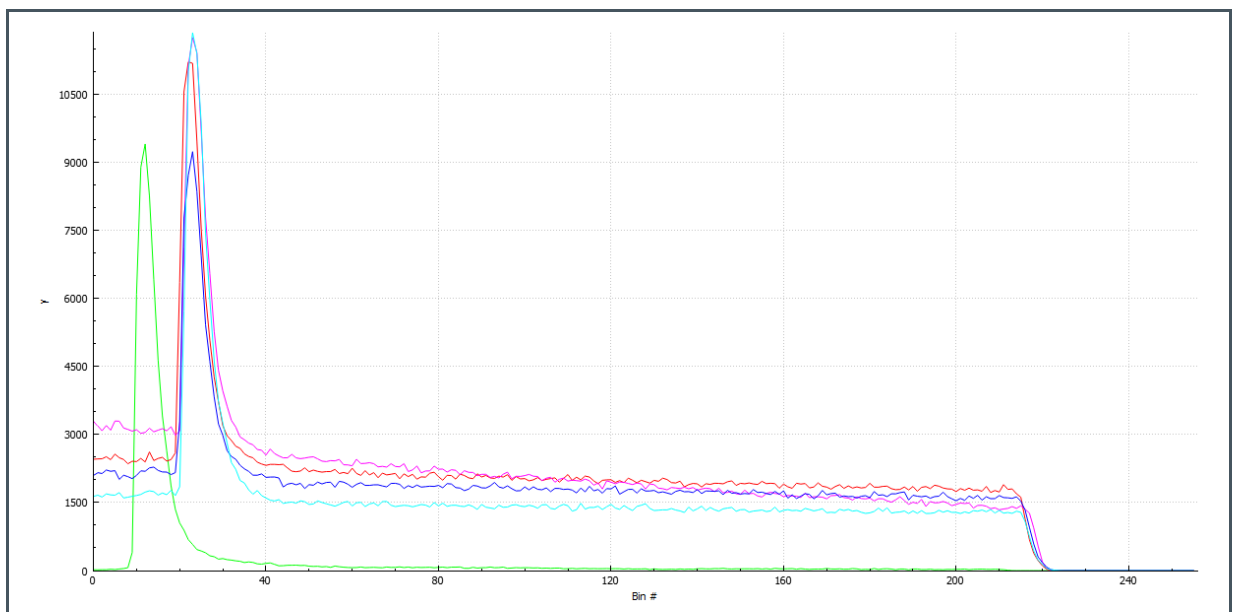
## 9.2 Reference SPAD, TDC and Histogram

There is an internal reference SPAD with associated TDC and histogram. This is used to determine the start time of each pulse. The reference SPAD is processed during calibration. The reference channel processing occurs internal to the device with no user interaction required.

All histograms can be processed inside the TMF8805 and/or readout through the I<sup>2</sup>C interface. As the readout is constrained by the I<sup>2</sup>C speed and the I<sup>2</sup>C bus utilization (TMF8805 can support I<sup>2</sup>C speed up to 1 MHz), it is recommended to readout the histograms only for debugging purposes.

Figure 115 shows a histogram obtained from TMF8805. The x-axis is scaled in bins, where the nominal bin size is 100 ps per bin and each TDC has 256 bins. The y-axis is scaled in counts represented by 16-bit values. The green line shows the reference histogram from TDC0 and its peak marks the reference or zero distance. The other four lines (blue, cyan, red and violet) are the histograms obtained from TDC1 to TDC4. A target at 20 cm is used to generate the peak around bin 25.

**Figure 115:**  
**Histogram**

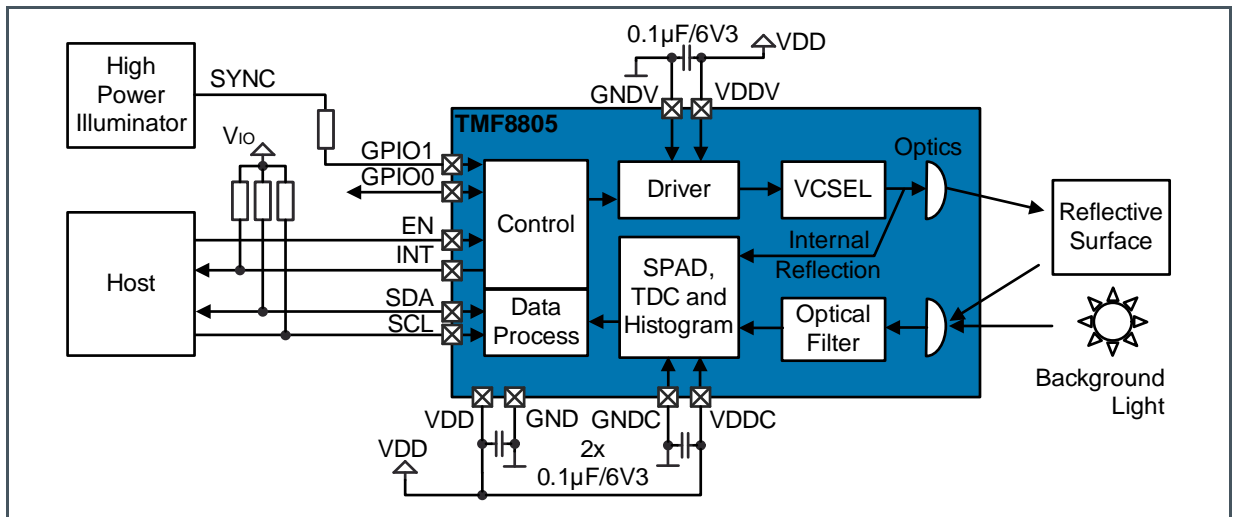


- (1) The above histogram is used for general device information only. The actual histogram differ due to different bin size and modes used.

### 9.3 Schematic

The TMF8805 needs only 3 small 0402 external capacitors for operation:

**Figure 116:**  
**TMF8805 Application Schematic**



The SYNC signal connected to GPIO1 can be used to immediately interrupt the TMF8805 VCSEL operation if the high power illuminator is operating. It needs to be ensured that SYNC does not exceed the VDD supply of TMF8805 as otherwise an internal protection diode will start conducting. The VCSEL operation is controlled by setting cmd\_data5 of command=0x02 or 0x03 according (see App0 registers). On SYNC assertion, the VCSEL is immediately switched off (typically after 10 µs), on SYNC de-assertion the VCSEL operation is resumed within >100 µs.

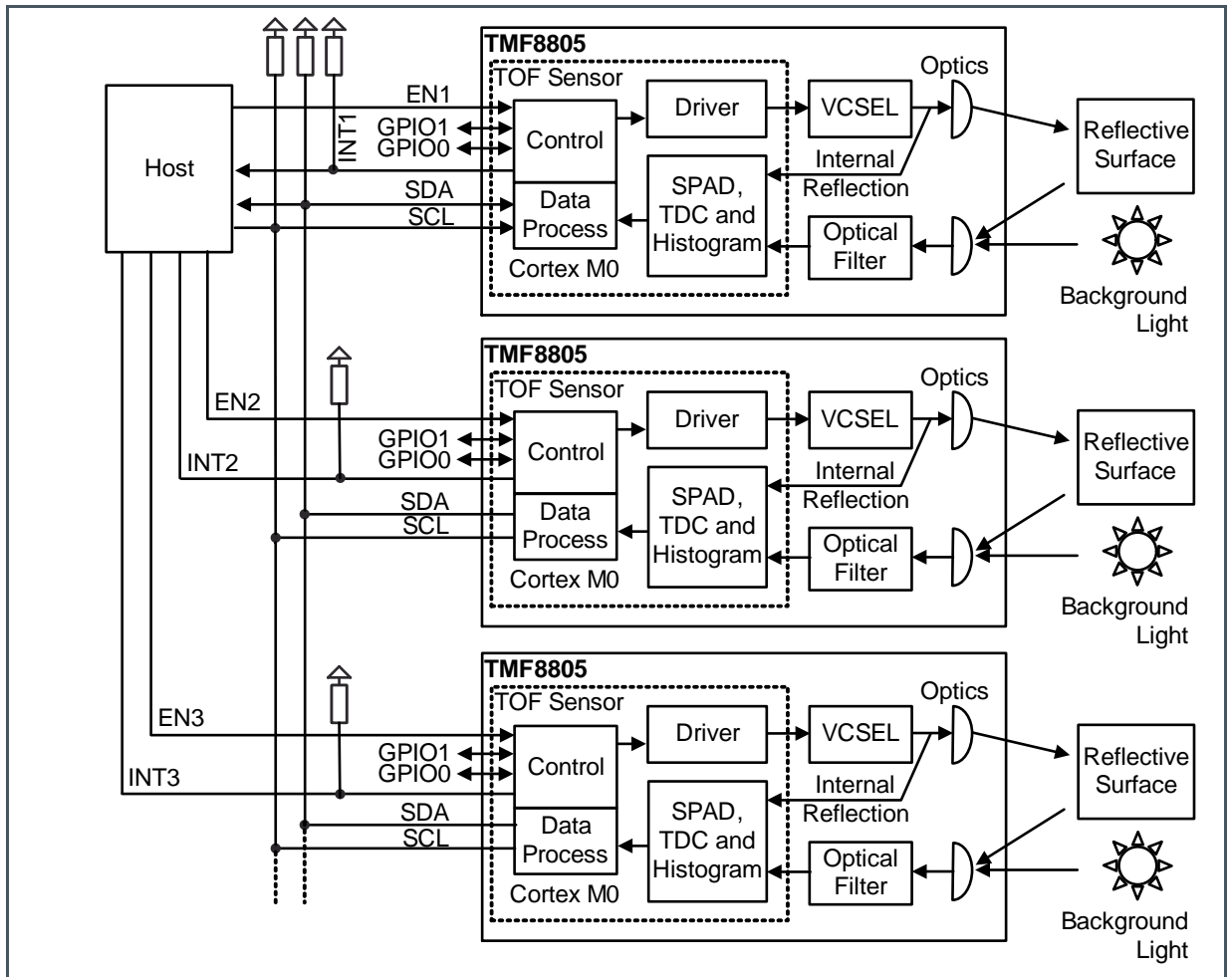
GPIO0 can be used as a general GPIO output signal.

The signals INT/SDA/SCL need an external pullup resistor to the VIO supply (typically 1.8 V).

### 9.3.1 Operating Several TMF8805 on a Single I<sup>2</sup>C Bus

Several TMF8805 devices can share a single I<sup>2</sup>C bus if there are dedicated enable (EN) connections to each of these devices.

**Figure 117:**  
Sharing a Single I<sup>2</sup>C Bus for Operating Several TMF8805s



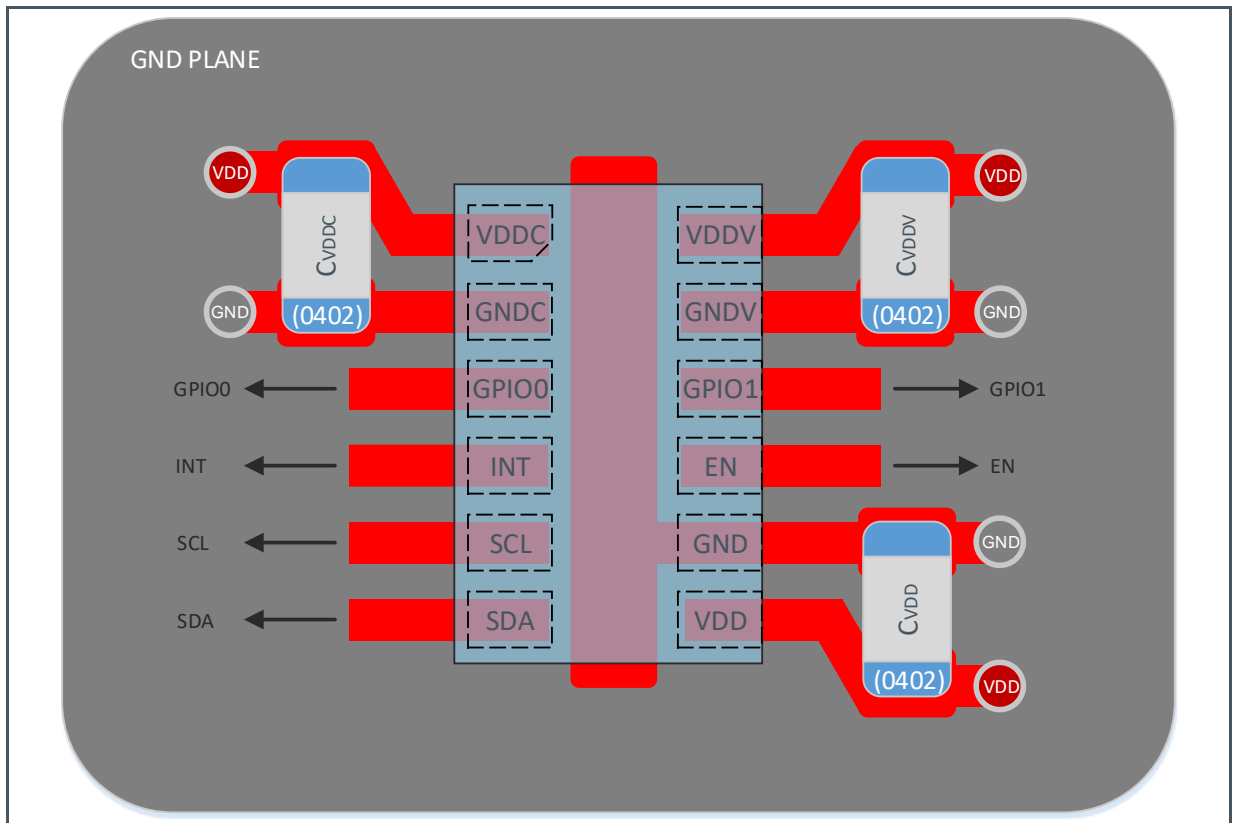
The procedure to initialize the devices to different I<sup>2</sup>C addresses is as follows:

1. Set EN1=0, EN2=0, EN3=0 (reset all devices)
2. Set EN1=1
3. Download firmware patch to first TMF8805
4. Reprogram I<sup>2</sup>C address for first TMF8805 using command=0x49 where cmd\_data0=0 and cmd\_data1=I<sup>2</sup>C address for first TMF8805
5. Set EN2=1
6. Download firmware patch to second TMF8805

7. Reprogram I<sup>2</sup>C address for second TMF8805 using command=0x49 where cmd\_data0=0 and cmd\_data1=I<sup>2</sup>C address for second TMF8805
8. Set EN3=1
9. Download firmware patch to third TMF8805
10. Reprogram I<sup>2</sup>C address for third TMF8805 using command=0x49 where cmd\_data0=0 and cmd\_data1=I<sup>2</sup>C address for third TMF8805
11. If there are further devices, repeat last three steps accordingly.

## 9.4 PCB Layout

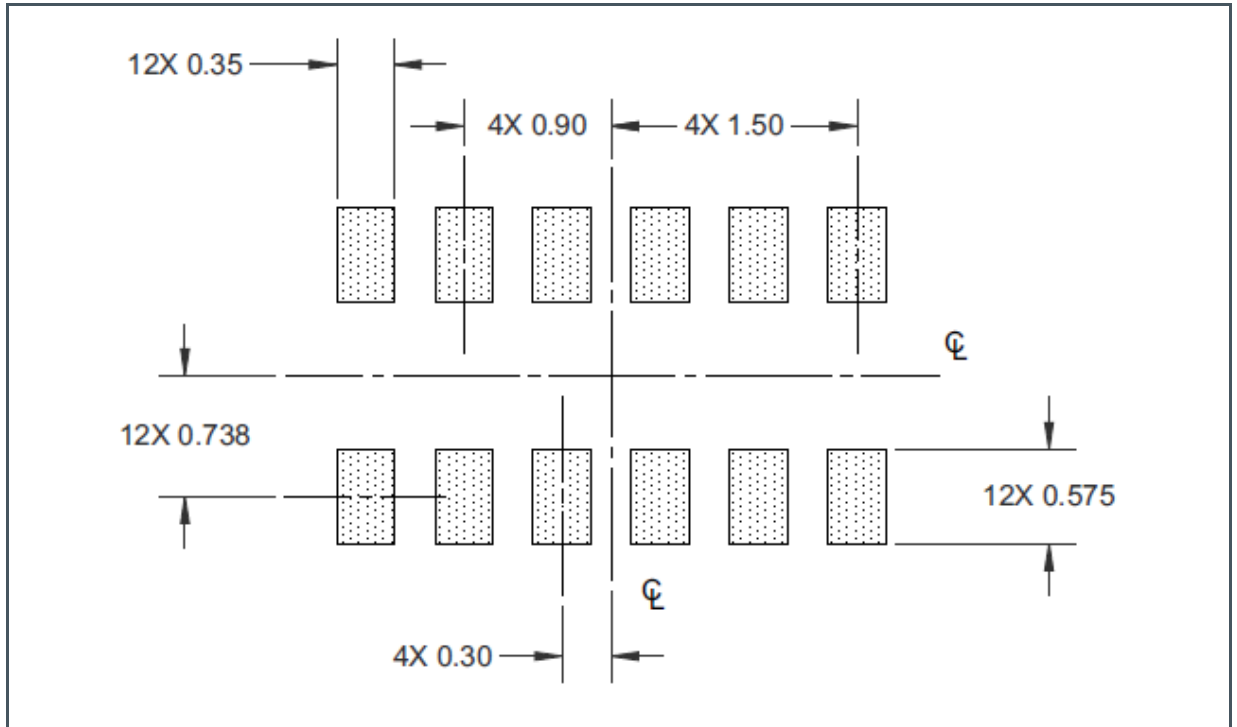
**Figure 118:**  
PCB Layout Recommendation



Use GRM155R70J104KA01 (0402 X7R 0.1  $\mu$ F 6.3 V) or capacitors with same or better performance for CVDDC, CVDD and CVDDV.

## 9.5 PCB Pad Layout

Figure 119:  
PCB Pad Layout

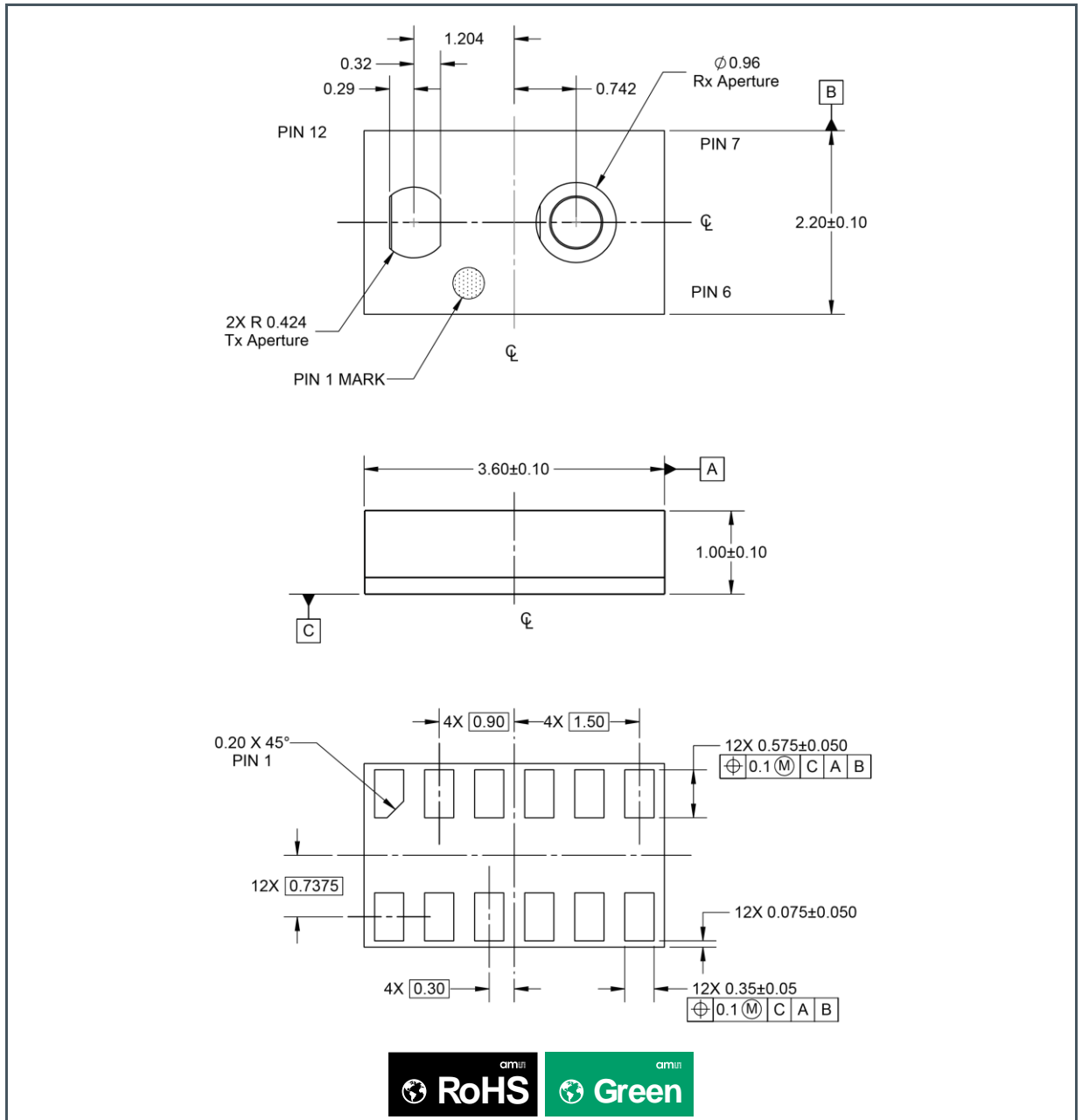


- (1) All linear dimensions are in millimeters.
- (2) Dimension tolerances are 0.05 mm unless otherwise noted.
- (3) This drawing is subject to change without notice.

Use the PCB pad layout as a recommendation only. The actual pad layout shall be optimized for the customer production line.

# 10 Package Drawings & Markings

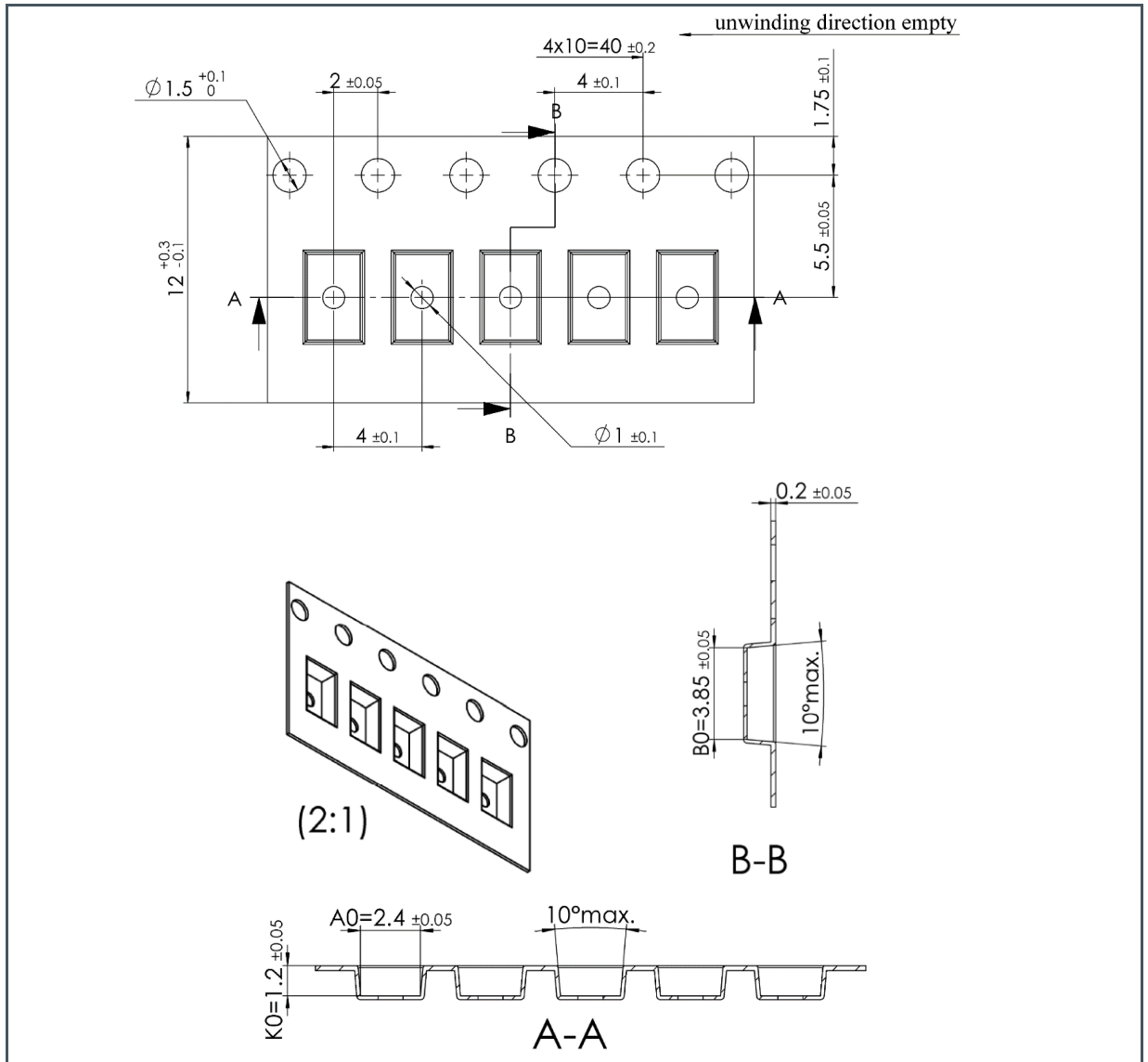
Figure 120:  
Package Drawing



- (1) All linear dimensions are in millimeters.
- (2) Contact finish is Au/Ni.
- (3) This package contains no lead (Pb).
- (4) This drawing is subject to change without notice.
- (5) 5-digit tracecode is only on bottom side of the package.

# 11 Tape & Reel Information

Figure 121:  
Tape and Reel Drawing



- (1) All linear dimensions are in millimeters. Dimension tolerance is  $\pm 0.10$  mm unless otherwise noted.
- (2) The dimensions on this drawing are for illustrative purposes only. Dimensions of an actual carrier may vary slightly.
- (3) Symbols on drawing A0, B0, and K0 are defined in ANSI EIA Standard 481-B 2001.
- (4) There are two reel sizes available (see section Ordering Information)
  - i) 7" reels: Each reel is 7 inch in diameter and contains 500 parts.
  - ii) 13" reels: Each reel is 13 inch in diameter and contains 5000 parts.
- (5) **ams** packaging tape and reel conform to the requirements of EIA Standard 481-B.
- (6) In accordance with EIA standard, device pin 1 is located next to sprocket holes in the tape.
- (7) This drawing is subject to change without notice.

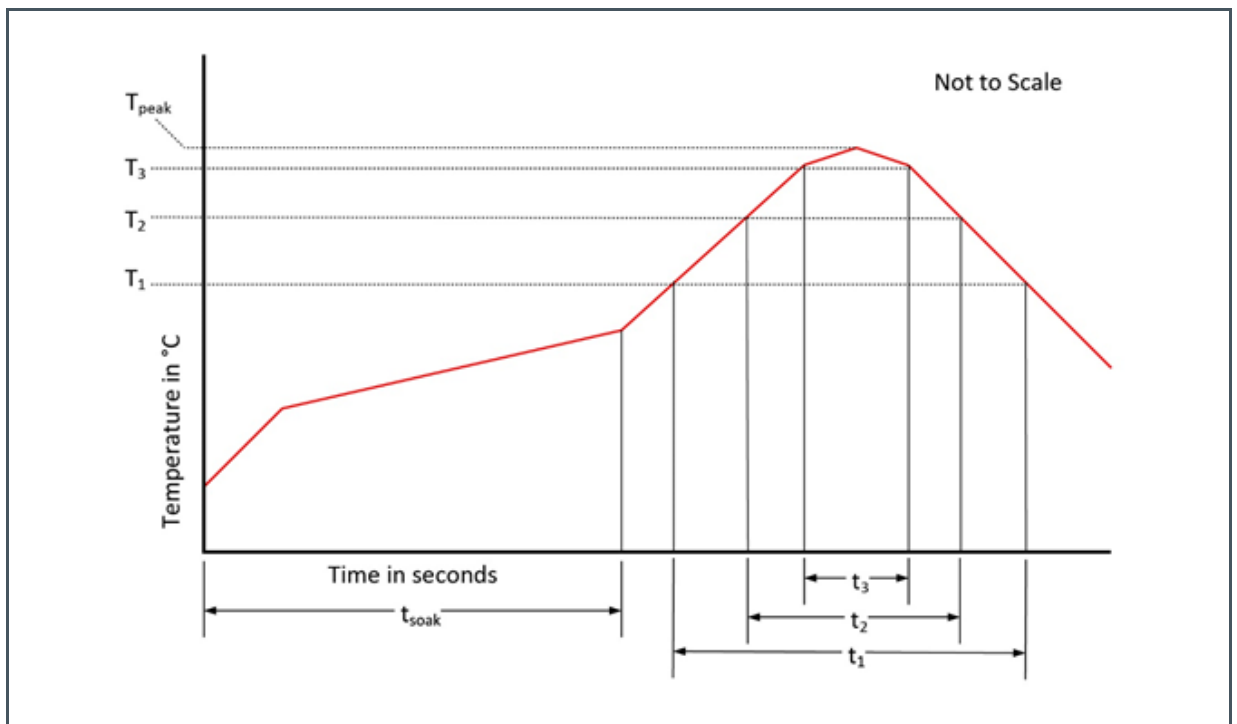
# 12 Soldering & Storage Information

## 12.1 Soldering Information

The package has been tested and has demonstrated an ability to be reflow soldered to a PCB substrate. The process, equipment, and materials used in these test are detailed below.

The solder reflow profile describes the expected maximum heat exposure of components during the solder reflow process of product on a PCB. Temperature is measured on top of component. The components should be limited to a maximum of three passes through this solder reflow profile.

**Figure 122:**  
Solder Reflow Profile Graph



**Figure 123:**  
Solder Reflow Profile

Parameter	Reference	Device
Average temperature gradient in preheating		2.5 °C/s
Soak time	t <sub>soak</sub>	2 to 3 minutes
Time above 217 °C (T1)	t <sub>1</sub>	Max 60 s



Parameter	Reference	Device
Time above 230 °C (T2)	t <sub>2</sub>	Max 50 s
Time above T <sub>peak</sub> – 10 °C (T3)	t <sub>3</sub>	Max 10 s
Peak temperature in reflow	T <sub>peak</sub>	260 °C
Temperature gradient in cooling		Max –5 °C/s

## 12.2 Storage Information

### 12.2.1 Moisture Sensitivity

Optical characteristics of the device can be adversely affected during the soldering process by the release and vaporization of moisture that has been previously absorbed into the package.

To ensure the package contains the smallest amount of absorbed moisture possible, each device is baked prior to being dry packed for shipping. Devices are dry packed in a sealed aluminized envelope called a moisture-barrier bag with silica gel to protect them from ambient moisture during shipping, handling, and storage before use.

#### Shelf Life

The calculated shelf life of the device in an unopened moisture barrier bag is 12 months from the date code on the bag when stored under the following conditions:

- Shelf Life: 12 months
- Ambient Temperature: <40 °C
- Relative Humidity: <90 %

Rebaking of the devices will be required if the devices exceed the 12 month shelf life or the Humidity Indicator Card shows that the devices were exposed to conditions beyond the allowable moisture region.

#### Floor Life

The module has been assigned a moisture sensitivity level of MSL 3. As a result, the floor life of devices removed from the moisture barrier bag is 168 hours from the time the bag was opened, provided that the devices are stored under the following conditions:

- Floor Life: 168 hours
- Ambient Temperature: <30 °C
- Relative Humidity: <60 %

If the floor life or the temperature/humidity conditions have been exceeded, the devices must be rebaked prior to solder reflow or dry packing.

**Rebaking Instructions**

When the shelf life or floor life limits have been exceeded, rebake at 50 °C for 12 hours.

## 13 Laser Eye Safety

The TMF8805 is designed to meet the Class 1 laser safety limits including single faults in compliance with IEC / EN 60825-1:2014. This applies to the stand-alone device and the included software supplied by **ams**. In an end application system environment, the system may need to be tested to ensure it remains compliant. The system must not include any additional lens to concentrate the laser light or parameters set outside of the recommended operating conditions. Use outside of the recommended condition or any physical modification to the module during development could result in hazardous levels of radiation exposure.



Complies with BS EN 60825-1:2014 and  
21 CFR 1040.10 and 1040.11 except for deviations  
pursuant to Laser Notice No. 56, dated May 8, 2019

## 14 Revision Information

Document Status	Product Status	Definition
Product Preview	Pre-Development	Information in this datasheet is based on product ideas in the planning phase of development. All specifications are design goals without any warranty and are subject to change without notice
Preliminary Datasheet	Pre-Production	Information in this datasheet is based on products in the design, validation or qualification phase of development. The performance and parameters shown in this document are preliminary without any warranty and are subject to change without notice
Datasheet	Production	Information in this datasheet is based on products in ramp-up to full production or full production which conform to specifications in accordance with the terms of ams AG standard warranty as given in the General Terms of Trade
Datasheet (discontinued)	Discontinued	Information in this datasheet is based on products which conform to specifications in accordance with the terms of ams AG standard warranty as given in the General Terms of Trade, but these products have been superseded and should not be used for new designs

Changes from previous version to current revision v4-00	Page
Updated figure 20 to include 100 mm and 20 mm in accuracy specification (replaced < with ≤)	18
Clarified optical filter specification (no change of filter)	20
Clarified purpose of crosstalk value in factory_calib_0/1/2	43-44

- Page and figure numbers for the previous version may differ from page and figure numbers in the current revision.
- Correction of typographical errors is not explicitly mentioned.

# 15 Legal Information

## Copyrights & Disclaimer

Copyright ams AG, Tobelbader Strasse 30, 8141 Premstaetten, Austria-Europe. Trademarks Registered. All rights reserved. The material herein may not be reproduced, adapted, merged, translated, stored, or used without the prior written consent of the copyright owner.

Devices sold by ams AG are covered by the warranty and patent indemnification provisions appearing in its General Terms of Trade. ams AG makes no warranty, express, statutory, implied, or by description regarding the information set forth herein. ams AG reserves the right to change specifications and prices at any time and without notice. Therefore, prior to designing this product into a system, it is necessary to check with ams AG for current information. This product is intended for use in commercial applications. Applications requiring extended temperature range, unusual environmental requirements, or high reliability applications, such as military, medical life-support or life-sustaining equipment are specifically not recommended without additional processing by ams AG for each application. This product is provided by ams AG "AS IS" and any express or implied warranties, including, but not limited to the implied warranties of merchantability and fitness for a particular purpose are disclaimed.

ams AG shall not be liable to recipient or any third party for any damages, including but not limited to personal injury, property damage, loss of profits, loss of use, interruption of business or indirect, special, incidental or consequential damages, of any kind, in connection with or arising out of the furnishing, performance or use of the technical data herein. No obligation or liability to recipient or any third party shall arise or flow out of ams AG rendering of technical or other services.

## RoHS Compliant & ams Green Statement

**RoHS Compliant:** The term RoHS compliant means that ams AG products fully comply with current RoHS directives. Our semiconductor products do not contain any chemicals for all 6 substance categories plus additional 4 substance categories (per amendment EU 2015/863), including the requirement that lead not exceed 0.1% by weight in homogeneous materials. Where designed to be soldered at high temperatures, RoHS compliant products are suitable for use in specified lead-free processes.

**ams Green (RoHS compliant and no Sb/Br/Cl):** ams Green defines that in addition to RoHS compliance, our products are free of Bromine (Br) and Antimony (Sb) based flame retardants (Br or Sb do not exceed 0.1% by weight in homogeneous material) and do not contain Chlorine (Cl not exceed 0.1% by weight in homogeneous material).

**Important Information:** The information provided in this statement represents ams AG knowledge and belief as of the date that it is provided. ams AG bases its knowledge and belief on information provided by third parties, and makes no representation or warranty as to the accuracy of such information. Efforts are underway to better integrate information from third parties. ams AG has taken and continues to take reasonable steps to provide representative and accurate information but may not have conducted destructive testing or chemical analysis on incoming materials and chemicals. ams AG and ams AG suppliers consider certain information to be proprietary, and thus CAS numbers and other limited information may not be available for release.

## Headquarters

ams AG  
Tobelbader Strasse 30  
8141 Premstaetten  
Austria, Europe  
Tel: +43 (0) 3136 500 0

Please visit our website at [www.ams.com](http://www.ams.com)

Buy our products or get free samples online at [www.ams.com/Products](http://www.ams.com/Products)

Technical Support is available at [www.ams.com/Technical-Support](http://www.ams.com/Technical-Support)

Provide feedback about this document at [www.ams.com/Document-Feedback](http://www.ams.com/Document-Feedback)

For sales offices, distributors and representatives go to [www.ams.com/Contact](http://www.ams.com/Contact)

For further information and requests, e-mail us at [ams\\_sales@ams.com](mailto:ams_sales@ams.com)