



## 0.5°C Digital Out Temperature Sensor

### FEATURES

- 8 ADDRESSES
- DIGITAL OUTPUT: Two-Wire Serial Interface
- RESOLUTION: 9- to 12-Bits, User-Selectable
- ACCURACY:  
±0.5°C (max) from +10°C to +85°C  
±0.75°C (max) from +0°C to +100°C
- LOW QUIESCENT CURRENT:  
50µA, 0.1µA Standby
- WIDE SUPPLY RANGE: 2.7V to 5.5V
- SMALL MSOP-8 PACKAGE

### APPLICATIONS

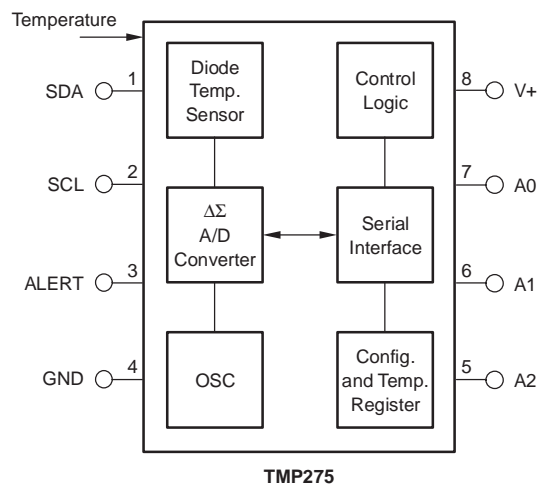
- POWER-SUPPLY TEMPERATURE MONITORING
- COMPUTER PERIPHERAL THERMAL PROTECTION
- NOTEBOOK COMPUTERS
- CELL PHONES
- BATTERY MANAGEMENT
- OFFICE MACHINES
- THERMOSTAT CONTROLS
- ENVIRONMENTAL MONITORING AND HVAC
- ELECTROMECHANICAL DEVICE TEMPERATURE

### DESCRIPTION

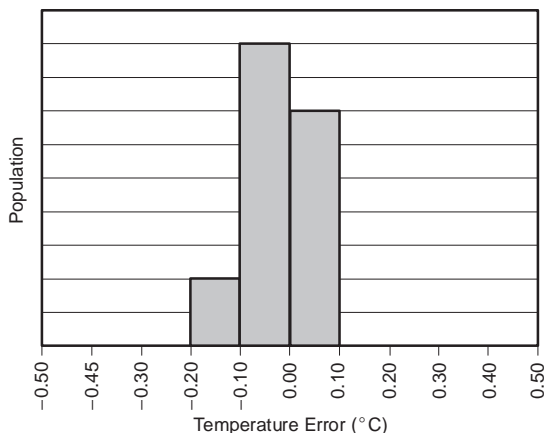
The TMP275 is a 0.5°C accurate, two-wire, serial output temperature sensor available in the MSOP-8 package. The TMP275 is capable of reading temperatures with a resolution of 0.0625°C.

The TMP275 is SMBus-compatible and allows up to eight devices on one bus. It is ideal for extended temperature measurement in a variety of communication, computer, consumer, environmental, industrial, and instrumentation applications.

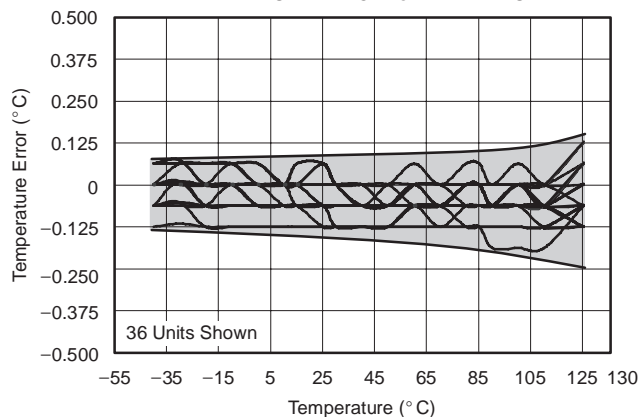
The TMP275 is specified for operation over a temperature range of -40°C to +125°C.



TEMPERATURE ERROR AT 25°C



TEMPERATURE ERROR vs TEMPERATURE



Please be aware that an important notice concerning availability, standard warranty, and use in critical applications of Texas Instruments semiconductor products and disclaimers thereto appears at the end of this data sheet.

All trademarks are the property of their respective owners.

**ABSOLUTE MAXIMUM RATINGS(1)**

|   |                 |
|---|-----------------|
| Power Supply, V+ .....                          | 7.0V            |
| Input Voltage(2) .....                          | -0.5V to 7.0V   |
| Input Current .....                             | 10mA            |
| Operating Temperature Range .....               | -55°C to +127°C |
| Storage Temperature Range .....                 | -60°C to +130°C |
| Junction Temperature (T <sub>J</sub> max) ..... | +150°C          |
| ESD Rating:                                     |                 |
| Human Body Model (HBM) .....                    | 4000V           |
| Charged Device Model (CDM) .....                | 1000V           |
| Machine Model (MM) .....                        | 300V            |

(1) Stresses above these ratings may cause permanent damage. Exposure to absolute maximum conditions for extended periods may degrade device reliability. These are stress ratings only, and functional operation of the device at these or any other conditions beyond those specified is not supported.

(2) Input voltage rating applies to all TMP275 input voltages.



This integrated circuit can be damaged by ESD. Texas Instruments recommends that all integrated circuits be handled with appropriate precautions. Failure to observe proper handling and installation procedures can cause damage.

ESD damage can range from subtle performance degradation to complete device failure. Precision integrated circuits may be more susceptible to damage because very small parametric changes could cause the device not to meet its published specifications.

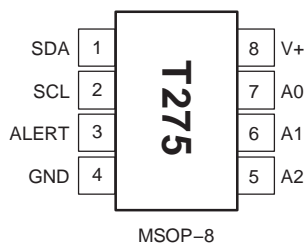
**ORDERING INFORMATION(1)**

| PRODUCT | PACKAGE-LEAD | PACKAGE DESIGNATOR | PACKAGE MARKING |
|---------|--------------|--------------------|-----------------|
| TMP275  | MSOP-8       | DGK                | T275            |

(1) For the most current package and ordering information, see the Package Option Addendum at the end of this document, or see the TI website at [www.ti.com](http://www.ti.com).

**PIN ASSIGNMENTS**

Top View



NOTE: Pin 1 is determined by orienting the package marking as indicated in the diagram.

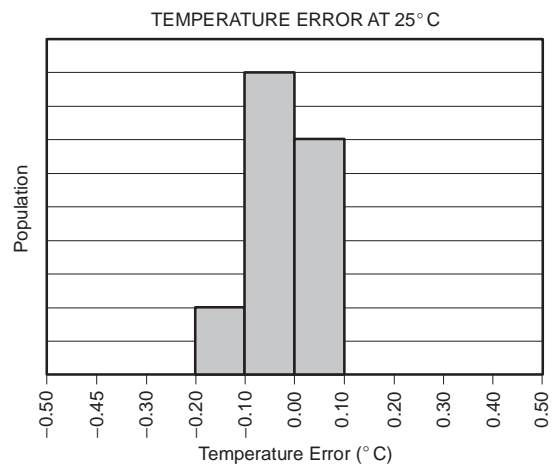
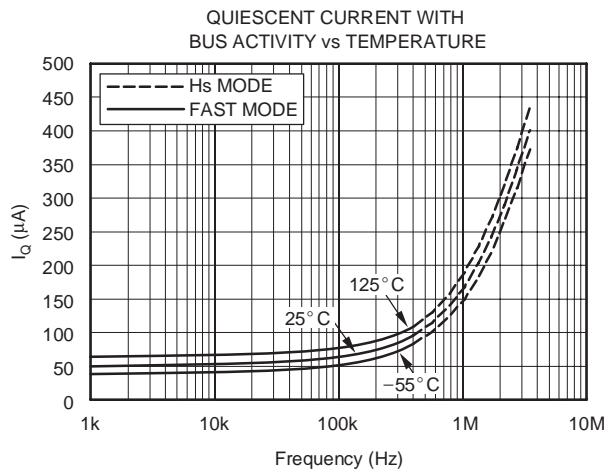
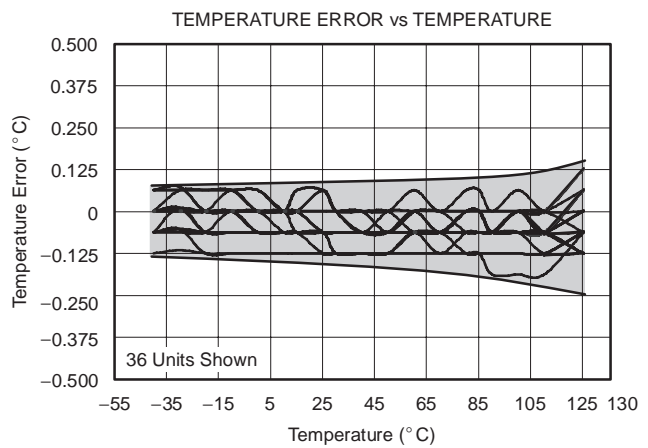
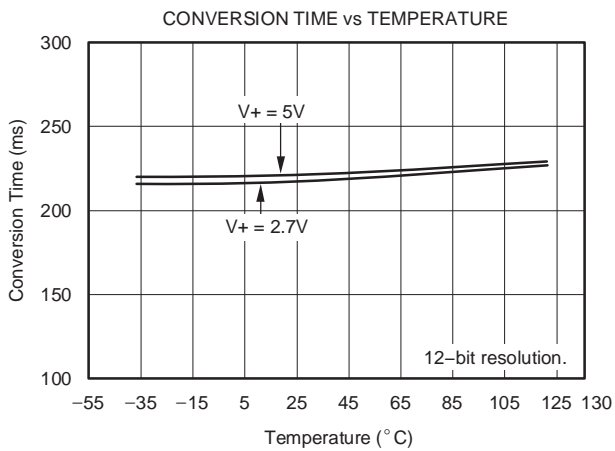
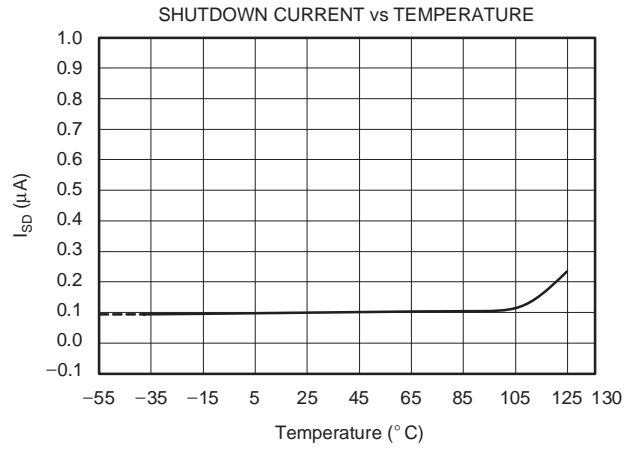
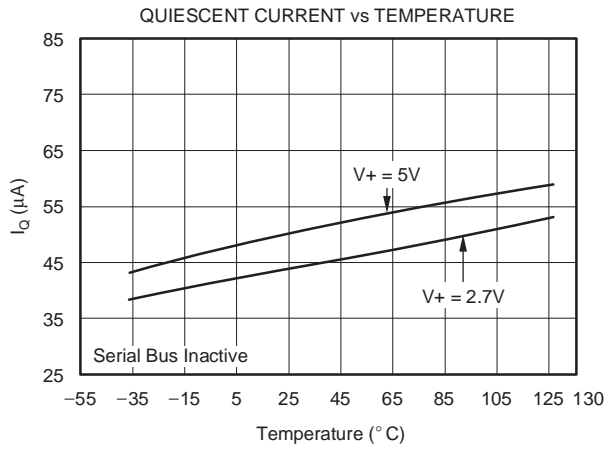
**ELECTRICAL CHARACTERISTICS**At  $T_A = -40^{\circ}\text{C}$  to  $+125^{\circ}\text{C}$ , and  $V_+ = 2.7\text{V}$  to  $5.5\text{V}$ , unless otherwise noted.

| PARAMETER                       | CONDITION  | TMP275                               |              |                      | UNITS                       |
|---------------------------------|--|--------------------------------------|--------------|----------------------|-----------------------------|
|                                 |  | MIN                                  | TYP          | MAX                  |                             |
| <b>TEMPERATURE INPUT</b>        |  |                                      |              |                      |                             |
| Range                           |  | -40                                  |              | +125                 | $^{\circ}\text{C}$          |
| Accuracy (Temperature Error)    | +10 $^{\circ}\text{C}$ to +85 $^{\circ}\text{C}$ , $V_+ = 3.3\text{V}$                   |                                      | $\pm 0.0625$ | $\pm 0.5$            | $^{\circ}\text{C}$          |
|                                 | 0 $^{\circ}\text{C}$ to +100 $^{\circ}\text{C}$ , $V_+ = 3.0\text{V}$ to $3.6\text{V}$   |                                      | $\pm 0.0625$ | $\pm 0.75$           | $^{\circ}\text{C}$          |
|                                 | -40 $^{\circ}\text{C}$ to +125 $^{\circ}\text{C}$ , $V_+ = 3.0\text{V}$ to $3.6\text{V}$ |                                      | $\pm 0.0625$ | $\pm 1$              | $^{\circ}\text{C}$          |
|                                 | +25 $^{\circ}\text{C}$ to +100 $^{\circ}\text{C}$ , $V_+ = 3.3\text{V}$ to $5.5\text{V}$ |                                      | 0.2          | $\pm 1.5$            | $^{\circ}\text{C}$          |
| Resolution <sup>(1)</sup>       | Selectable   |                                      | +0.0625      |                      | $^{\circ}\text{C}$          |
| <b>DIGITAL INPUT/OUTPUT</b>     |  |                                      |              |                      |                             |
| Input Capacitance               |  |                                      | 3            |                      | pF                          |
| Input Logic Levels:             |  |                                      |              |                      |                             |
| $V_{IH}$                        |  | 0.7(V <sub>+</sub> )                 |              | 6.0                  | V                           |
| $V_{IL}$                        |  | -0.5                                 |              | 0.3(V <sub>+</sub> ) | V                           |
| Leakage Input Current, $I_{IN}$ | 0V $\leq V_{IN} \leq 6\text{V}$  |                                      |              | 1                    | $\mu\text{A}$               |
| Input Voltage Hysteresis        | SCL and SDA Pins   |                                      | 500          |                      | mV                          |
| Output Logic Levels:            |  |                                      |              |                      |                             |
| $V_{OL\_SDA}$                   | $I_{OL} = 3\text{mA}$  | 0                                    | 0.15         | 0.4                  | V                           |
| $V_{OL\_ALERT}$                 | $I_{OL} = 4\text{mA}$  | 0                                    | 0.15         | 0.4                  | V                           |
| Resolution                      | Selectable   |                                      | 9 to 12      |                      | Bits                        |
| Conversion Time                 | 9-Bit  |                                      | 27.5         | 37.5                 | ms                          |
|                                 | 10-Bit   |                                      | 55           | 75                   | ms                          |
|                                 | 11-Bit   |                                      | 110          | 150                  | ms                          |
|                                 | 12-Bit   |                                      | 220          | 300                  | ms                          |
| Timeout Time                    |  | 25                                   | 54           | 74                   | ms                          |
| <b>POWER SUPPLY</b>             |  |                                      |              |                      |                             |
| Operating Range                 |  | 2.7                                  |              | 5.5                  | V                           |
| Quiescent Current               | $I_Q$  | Serial Bus Inactive                  | 50           | 85                   | $\mu\text{A}$               |
|                                 |  | Serial Bus Active, SCL Freq = 400kHz | 100          |                      | $\mu\text{A}$               |
|                                 |  | Serial Bus Active, SCL Freq = 3.4MHz | 410          |                      | $\mu\text{A}$               |
| Shutdown Current                | $I_{SD}$   | Serial Bus Inactive                  | 0.1          | 3                    | $\mu\text{A}$               |
|                                 |  | Serial Bus Active, SCL Freq = 400kHz | 60           |                      | $\mu\text{A}$               |
|                                 |  | Serial Bus Active, SCL Freq = 3.4MHz | 380          |                      | $\mu\text{A}$               |
| <b>TEMPERATURE RANGE</b>        |  |                                      |              |                      |                             |
| Specified Range                 |  | -40                                  |              | +125                 | $^{\circ}\text{C}$          |
| Operating Range                 |  | -55                                  |              | +127                 | $^{\circ}\text{C}$          |
| Thermal Resistance              | $\theta_{JA}$  |                                      |              |                      |                             |
| MSOP-8                          |  |                                      | 250          |                      | $^{\circ}\text{C}/\text{W}$ |

(1) Specified for 12-bit resolution.

## TYPICAL CHARACTERISTICS

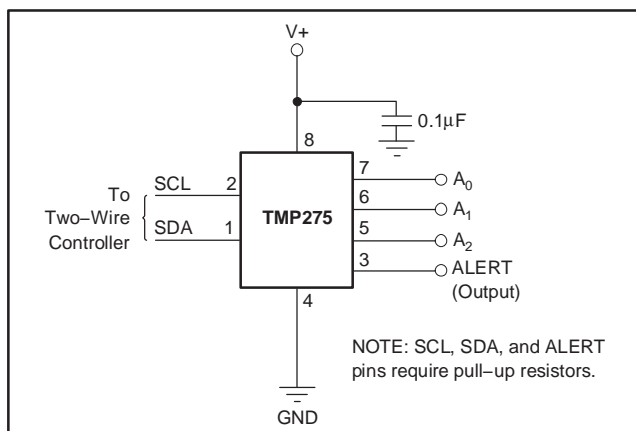
At  $T_A = +25^\circ\text{C}$  and  $V_+ = 5.0\text{V}$ , unless otherwise noted.



## APPLICATIONS INFORMATION

The TMP275 is a digital temperature sensor that is optimal for thermal management and thermal protection applications. The TMP275 is Two-Wire and SMBus interface-compatible, and is specified over a temperature range of  $-40^{\circ}\text{C}$  to  $+125^{\circ}\text{C}$ .

The TMP275 requires no external components for operation except for pull-up resistors on SCL, SDA, and ALERT, although a  $0.1\mu\text{F}$  bypass capacitor is recommended, as shown in Figure 1.



**Figure 1. Typical Connections of the TMP275**

The sensing device of the TMP275 is the chip itself. Thermal paths run through the package leads as well as the plastic package. The lower thermal resistance of metal causes the leads to provide the primary thermal path.

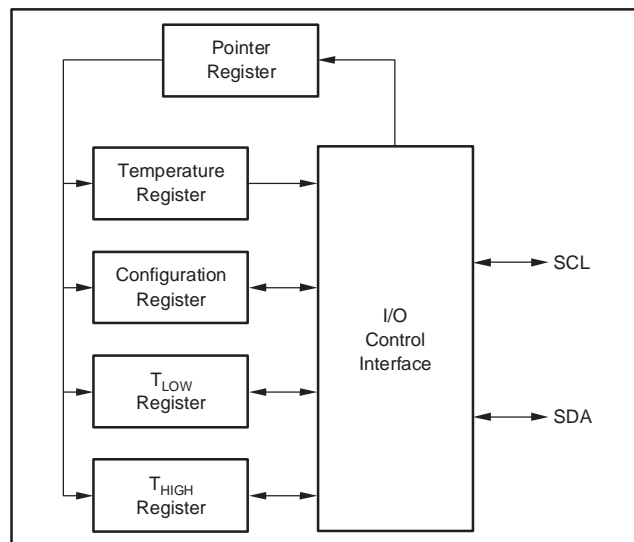
To maintain accuracy in applications requiring air or surface temperature measurement, care should be taken to isolate the package and leads from ambient air temperature. A thermally-conductive adhesive will assist in achieving accurate surface temperature measurement.

### POINTER REGISTER

Figure 2 shows the internal register structure of the TMP275. The 8-bit Pointer Register of the devices is used to address a given data register. The Pointer Register uses the two LSBs to identify which of the data registers should respond to a read or write command. Table 1 identifies the bits of the Pointer Register byte. Table 2 describes the pointer address of the registers available in the TMP275. Power-up reset value of P1/P0 is 00.

| P7 | P6 | P5 | P4 | P3 | P2 | P1 | P0            |
|----|----|----|----|----|----|----|---------------|
| 0  | 0  | 0  | 0  | 0  | 0  | 0  | Register Bits |

**Table 1. Pointer Register Byte**



**Figure 2. Internal Register Structure of the TMP275**

| P1 | P0 | REGISTER                                |
|----|----|---|
| 0  | 0  | Temperature Register (READ Only)        |
| 0  | 1  | Configuration Register (READ/WRITE)     |
| 1  | 0  | T <sub>LOW</sub> Register (READ/WRITE)  |
| 1  | 1  | T <sub>HIGH</sub> Register (READ/WRITE) |

**Table 2. Pointer Addresses of the TMP275**

### TEMPERATURE REGISTER

The Temperature Register of the TMP275 is a 12-bit, read-only register that stores the output of the most recent conversion. Two bytes must be read to obtain data, and are described in Table 3 and Table 4. Note that byte 1 is the most significant byte, followed by byte 2, the least significant byte. The first 12 bits are used to indicate temperature, with all remaining bits equal to zero. The least significant byte does not have to be read if that information is not needed. Data format for temperature is summarized in Table 5. Following power-up or reset, the Temperature Register will read  $0^{\circ}\text{C}$  until the first conversion is complete.

| D7  | D6  | D5 | D4 | D3 | D2 | D1 | D0 |
|-----|-----|----|----|----|----|----|----|
| T11 | T10 | T9 | T8 | T7 | T6 | T5 | T4 |

**Table 3. Byte 1 of Temperature Register**

| D7 | D6 | D5 | D4 | D3 | D2 | D1 | D0 |
|----|----|----|----|----|----|----|----|
| T3 | T2 | T1 | T0 | 0  | 0  | 0  | 0  |

**Table 4. Byte 2 of Temperature Register**

| TEMPERATURE (°C) | DIGITAL OUTPUT (BINARY) | HEX |
|------------------|-------------------------|-----|
| 128              | 0111 1111 1111          | 7FF |
| 127.9375         | 0111 1111 1111          | 7FF |
| 100              | 0110 0100 0000          | 640 |
| 80               | 0101 0000 0000          | 500 |
| 75               | 0100 1011 0000          | 4B0 |
| 50               | 0011 0010 0000          | 320 |
| 25               | 0001 1001 0000          | 190 |
| 0.25             | 0000 0000 0100          | 004 |
| 0                | 0000 0000 0000          | 000 |
| -0.25            | 1111 1111 1100          | FFC |
| -25              | 1110 0111 0000          | E70 |
| -55              | 1100 1001 0000          | C90 |

Table 5. Temperature Data Format

The user can obtain 9, 10, 11, or 12 bits of resolution by addressing the Configuration Register and setting the resolution bits accordingly. For 9-, 10-, or 11-bit resolution, the most significant bits in the Temperature Register are used with the unused LSBs set to zero.

## CONFIGURATION REGISTER

The Configuration Register is an 8-bit read/write register used to store bits that control the operational modes of the temperature sensor. Read/write operations are performed MSB first. The format of the Configuration Register for the TMP275 is shown in Table 6, followed by a breakdown of the register bits. The power-up/reset value of the Configuration Register is all bits equal to 0.

| BYTE | D7 | D6 | D5 | D4 | D3 | D2  | D1 | D0 |
|------|----|----|----|----|----|-----|----|----|
| 1    | OS | R1 | R0 | F1 | F0 | POL | TM | SD |

Table 6. Configuration Register Format

## SHUTDOWN MODE (SD)

The Shutdown Mode of the TMP275 allows the user to save maximum power by shutting down all device circuitry other than the serial interface, which reduces current consumption to typically less than 0.1µA. Shutdown Mode is enabled when the SD bit is 1; the device will shut down once the current conversion is completed. When SD is equal to 0, the device will maintain a continuous conversion state.

## THERMOSTAT MODE (TM)

The Thermostat Mode bit of the TMP275 indicates to the device whether to operate in Comparator Mode (TM = 0) or Interrupt Mode (TM = 1). For more information on comparator and interrupt modes, see the *High and Low Limit Registers* section.

## POLARITY (POL)

The Polarity Bit of the TMP275 allows the user to adjust the polarity of the ALERT pin output. If POL = 0, the ALERT pin will be active LOW, as shown in Figure 3. For POL = 1, the ALERT pin will be active HIGH, and the state of the ALERT pin is inverted.

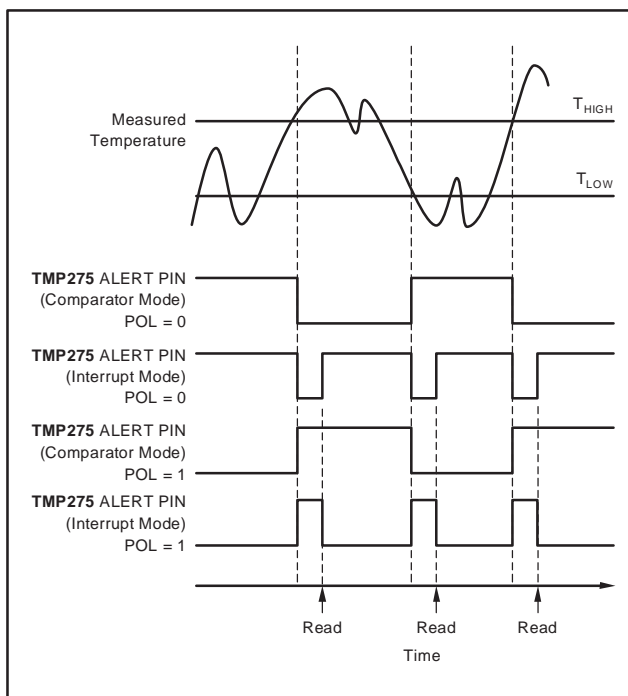


Figure 3. Output Transfer Function Diagrams

## FAULT QUEUE (F1/F0)

A fault condition is defined as when the measured temperature exceeds the user-defined limits set in the T<sub>HIGH</sub> and T<sub>LOW</sub> Registers. Additionally, the number of fault conditions required to generate an alert may be programmed using the fault queue. The fault queue is provided to prevent a false alert as a result of environmental noise. The fault queue requires consecutive fault measurements in order to trigger the alert function. Table 7 defines the number of measured faults that may be programmed to trigger an alert condition in the device. For T<sub>HIGH</sub> and T<sub>LOW</sub> register format and byte order, see section *High and Low Limit Registers*.

| F1 | F0 | CONSECUTIVE FAULTS |
|----|----|--------------------|
| 0  | 0  | 1                  |
| 0  | 1  | 2                  |
| 1  | 0  | 4                  |
| 1  | 1  | 6                  |

Table 7. Fault Settings of the TMP275

## CONVERTER RESOLUTION (R1/R0)

The Converter Resolution Bits control the resolution of the internal Analog-to-Digital (A/D) converter. This control allows the user to maximize efficiency by programming for higher resolution or faster conversion time. Table 8 identifies the Resolution Bits and the relationship between resolution and conversion time.

| R1 | R0 | RESOLUTION         | CONVERSION TIME (typical) |
|----|----|--------------------|---------------------------|
| 0  | 0  | 9 Bits (0.5°C)     | 27.5ms                    |
| 0  | 1  | 10 Bits (0.25°C)   | 55ms                      |
| 1  | 0  | 11 Bits (0.125°C)  | 110ms                     |
| 1  | 1  | 12 Bits (0.0625°C) | 220ms                     |

**Table 8. Resolution of the TMP275**

## ONE-SHOT (OS)

The TMP275 features a One-Shot Temperature Measurement Mode. When the device is in Shutdown Mode, writing a '1' to the OS bit starts a single temperature conversion. The device returns to the shutdown state at the completion of the single conversion. This mode is useful for reducing power consumption in the TMP275 when continuous temperature monitoring is not required. When the configuration register is read, the OS always reads zero.

## HIGH AND LOW LIMIT REGISTERS

In Comparator Mode (TM = 0), the ALERT pin of the TMP275 becomes active when the temperature equals or exceeds the value in T<sub>HIGH</sub> and generates a consecutive number of faults according to fault bits F1 and F0. The ALERT pin remains active until the temperature falls below the indicated T<sub>LOW</sub> value for the same number of faults.

In Interrupt Mode (TM = 1), the ALERT pin becomes active when the temperature equals or exceeds T<sub>HIGH</sub> for a consecutive number of fault conditions. The ALERT pin remains active until a read operation of any register occurs, or the device successfully responds to the SMBus Alert Response Address. The ALERT pin is also cleared if the device is placed in Shutdown Mode. Once the ALERT pin is cleared, it only becomes active again by the temperature falling below T<sub>LOW</sub>. When the temperature falls below T<sub>LOW</sub>, the ALERT pin becomes active and remain active until cleared by a read operation of any register or a successful response to the SMBus Alert Response Address. Once the ALERT pin is cleared, the above cycle repeats, with the ALERT pin becoming active when the temperature equals or exceeds T<sub>HIGH</sub>. The ALERT pin can also be cleared by resetting the device with the General Call Reset command. This command also clears the state of the internal registers in the device, returning the device to Comparator Mode (TM = 0).

Both operational modes are represented in Figure 3. Table 9 and Table 10 describe the format for the T<sub>HIGH</sub> and T<sub>LOW</sub> registers. Note that the most significant byte is sent first, followed by the least significant byte. Power-up reset values for T<sub>HIGH</sub> and T<sub>LOW</sub> are:

$$T_{HIGH} = 80^{\circ}\text{C} \text{ and } T_{LOW} = 75^{\circ}\text{C}$$

The format of the data for T<sub>HIGH</sub> and T<sub>LOW</sub> is the same as for the Temperature Register.

| BYTE | D7  | D6  | D5 | D4 | D3 | D2 | D1 | D0 |
|------|-----|-----|----|----|----|----|----|----|
| 1    | H11 | H10 | H9 | H8 | H7 | H6 | H5 | H4 |

| BYTE | D7 | D6 | D5 | D4 | D3 | D2 | D1 | D0 |
|------|----|----|----|----|----|----|----|----|
| 2    | H3 | H2 | H1 | H0 | 0  | 0  | 0  | 0  |

**Table 9. Bytes 1 and 2 of T<sub>HIGH</sub> Register**

| BYTE | D7  | D6  | D5 | D4 | D3 | D2 | D1 | D0 |
|------|-----|-----|----|----|----|----|----|----|
| 1    | L11 | L10 | L9 | L8 | L7 | L6 | L5 | L4 |

| BYTE | D7 | D6 | D5 | D4 | D3 | D2 | D1 | D0 |
|------|----|----|----|----|----|----|----|----|
| 2    | L3 | L2 | L1 | L0 | 0  | 0  | 0  | 0  |

**Table 10. Bytes 1 and 2 of T<sub>LOW</sub> Register**

All 12 bits for the Temperature, T<sub>HIGH</sub>, and T<sub>LOW</sub> registers are used in the comparisons for the ALERT function for all converter resolutions. The three LSBs in T<sub>HIGH</sub> and T<sub>LOW</sub> can affect the ALERT output even if the converter is configured for 9-bit resolution.

## SERIAL INTERFACE

The TMP275 operates only as a slave device on the Two-Wire bus and SMBus. Connections to the bus are made via the open-drain I/O lines SDA and SCL. The SDA and SCL pins feature integrated spike suppression filters and Schmitt triggers to minimize the effects of input spikes and bus noise. The TMP275 supports the transmission protocol for fast (1kHz to 400kHz) and high-speed (1kHz to 3.4MHz) modes. All data bytes are transmitted MSB first.

## SERIAL BUS ADDRESS

To communicate with the TMP275, the master must first address slave devices via a slave address byte. The slave address byte consists of seven address bits, and a direction bit indicating the intent of executing a read or write operation.

The TMP275 features three address pins allowing up to eight devices to be connected per bus. Pin logic levels are described in Table 11. The address pins of the TMP275 are read after reset, at start of communication, or in response to a Two-Wire address acquire request. Following reading the state of the pins the address is latched to minimize power dissipation associated with detection.



| A2 | A1 | A0 | SLAVE ADDRESS |
|----|----|----|---------------|
| 0  | 0  | 0  | 1001000       |
| 0  | 0  | 1  | 1001001       |
| 0  | 1  | 0  | 1001010       |
| 0  | 1  | 1  | 1001011       |
| 1  | 0  | 0  | 1001100       |
| 1  | 0  | 1  | 1001101       |
| 1  | 1  | 0  | 1001110       |
| 1  | 1  | 1  | 1001111       |

**Table 11. Address Pins and Slave Addresses for the TMP275**

## BUS OVERVIEW

The device that initiates the transfer is called a *master*, and the devices controlled by the master are *slaves*. The bus must be controlled by a master device that generates the serial clock (SCL), controls the bus access, and generates the START and STOP conditions.

To address a specific device, a START condition is initiated, indicated by pulling the data-line (SDA) from a HIGH to LOW logic level while SCL is HIGH. All slaves on the bus shift in the slave address byte, with the last bit indicating whether a read or write operation is intended. During the ninth clock pulse, the slave being addressed responds to the master by generating an Acknowledge and pulling SDA LOW.

Data transfer is then initiated and sent over eight clock pulses followed by an Acknowledge Bit. During data transfer SDA must remain stable while SCL is HIGH, as any change in SDA while SCL is HIGH is interpreted as a control signal.

Once all data has been transferred, the master generates a STOP condition indicated by pulling SDA from LOW to HIGH, while SCL is HIGH.

## WRITING/READING TO THE TMP275

Accessing a particular register on the TMP275 is accomplished by writing the appropriate value to the Pointer Register. The value for the Pointer Register is the first byte transferred after the slave address byte with the R/W bit LOW. Every write operation to the TMP275 requires a value for the Pointer Register. (Refer to Figure 5.)

When reading from the TMP275, the last value stored in the Pointer Register by a write operation is used to determine which register is read by a read operation. To change the register pointer for a read operation, a new value must be written to the Pointer Register. This is accomplished by issuing a slave address byte with the R/W bit LOW, followed by the Pointer Register Byte. No additional data is required. The master can then generate a START condition and send the slave address byte with the R/W bit HIGH to initiate the read command. See

Figure 6 for details of this sequence. If repeated reads from the same register are desired, it is not necessary to continually send the Pointer Register bytes, as the TMP275 remembers the Pointer Register value until it is changed by the next write operation.

Note that register bytes are sent most-significant byte first, followed by the least significant byte.

## SLAVE MODE OPERATIONS

The TMP275 can operate as a slave receiver or slave transmitter.

### Slave Receiver Mode:

The first byte transmitted by the master is the slave address, with the R/W bit LOW. The TMP275 then acknowledges reception of a valid address. The next byte transmitted by the master is the Pointer Register. The TMP275 then acknowledges reception of the Pointer Register byte. The next byte or bytes are written to the register addressed by the Pointer Register. The TMP275 acknowledges reception of each data byte. The master may terminate data transfer by generating a START or STOP condition.

### Slave Transmitter Mode:

The first byte is transmitted by the master and is the slave address, with the R/W bit HIGH. The slave acknowledges reception of a valid slave address. The next byte is transmitted by the slave and is the most significant byte of the register indicated by the Pointer Register. The master acknowledges reception of the data byte. The next byte transmitted by the slave is the least significant byte. The master acknowledges reception of the data byte. The master may terminate data transfer by generating a Not-Acknowledge on reception of any data byte, or generating a START or STOP condition.

## SMBus ALERT FUNCTION

The TMP275 supports the SMBus Alert function. When the TMP275 is operating in Interrupt Mode (TM = 1), the ALERT pin of the TMP275 may be connected as an SMBus Alert signal. When a master senses that an ALERT condition is present on the ALERT line, the master sends an SMBus Alert command (00011001) on the bus. If the ALERT pin of the TMP275 is active, the device acknowledges the SMBus Alert command and responds by returning its slave address on the SDA line. The eighth bit (LSB) of the slave address byte indicates if the temperature exceeding  $T_{HIGH}$  or falling below  $T_{LOW}$  caused the ALERT condition. This bit will be HIGH if the temperature is greater than or equal to  $T_{HIGH}$ . This bit will be LOW if the temperature is less than  $T_{LOW}$ . Refer to Figure 7 for details of this sequence.

If multiple devices on the bus respond to the SMBus Alert command, arbitration during the slave address portion of the SMBus Alert command determines which device will clear its ALERT status. If the TMP275 wins the arbitration,



its ALERT pin will become inactive at the completion of the SMBus Alert command. If the TMP275 loses the arbitration, its ALERT pin will remain active.

## GENERAL CALL

The TMP275 responds to a Two-Wire General Call address (0000000) if the eighth bit is 0. The device acknowledges the General Call address and responds to commands in the second byte. If the second byte is 00000100, the TMP275 latches the status of the address pins, but does not reset. If the second byte is 00000110, the TMP275 latches the status of the address pins and resets the internal registers to the power-up values.

## HIGH-SPEED MODE

In order for the Two-Wire bus to operate at frequencies above 400kHz, the master device must issue an Hs-mode master code (00001XXX) as the first byte after a START condition to switch the bus to high-speed operation. The TMP275 will not acknowledge this byte, but will switch its input filters on SDA and SCL and its output filters on SDA to operate in Hs-mode, allowing transfers at up to 3.4MHz. After the Hs-mode master code has been issued, the master transmits a Two-Wire slave address to initiate a data transfer operation. The bus continues to operate in Hs-mode until a STOP condition occurs on the bus. Upon receiving the STOP condition, the TMP275 switches the input and output filters back to fast-mode operation.

## TIMEOUT FUNCTION

The TMP275 resets the serial interface if either SCL or SDA is held LOW for 54ms (typ) between a START and STOP condition. The TMP275 releases the bus if it is pulled LOW and waits for a START condition. To avoid activating the timeout function, it is necessary to maintain a communication speed of at least 1kHz for SCL operating frequency.

## TIMING DIAGRAMS

The TMP275 is Two-Wire and SMBus-compatible. Figure 4 to Figure 7 describe the various operations on the TMP275. Bus definitions are given below. Parameters for Figure 4 are defined in Table 12.

**Bus Idle:** Both SDA and SCL lines remain HIGH.

**Start Data Transfer:** A change in the state of the SDA line, from HIGH to LOW, while the SCL line is HIGH, defines a START condition. Each data transfer is initiated with a START condition.

**Stop Data Transfer:** A change in the state of the SDA line from LOW to HIGH while the SCL line is HIGH defines a STOP condition. Each data transfer is terminated with a repeated START or STOP condition.

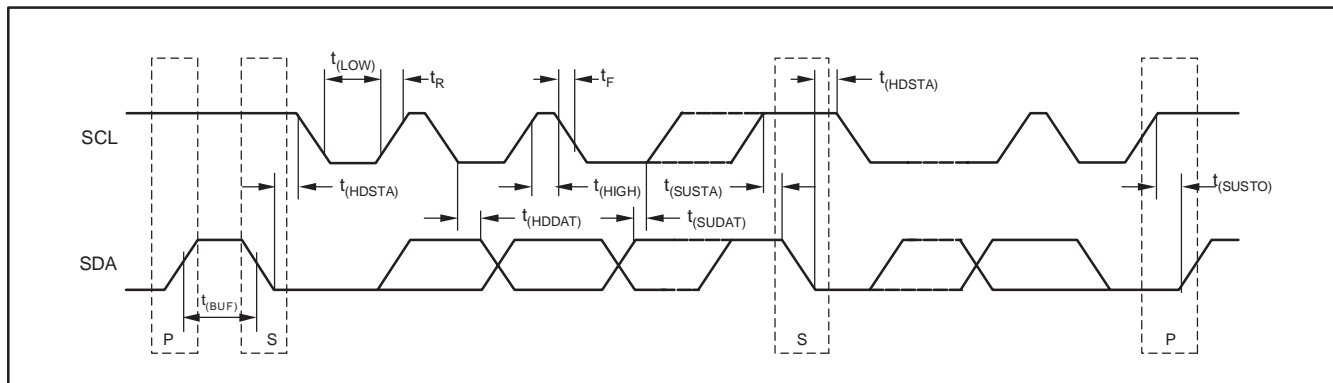
**Data Transfer:** The number of data bytes transferred between a START and a STOP condition is not limited and is determined by the master device. The receiver acknowledges the transfer of data.

**Acknowledge:** Each receiving device, when addressed, is obliged to generate an Acknowledge bit. A device that acknowledges must pull down the SDA line during the Acknowledge clock pulse in such a way that the SDA line is stable LOW during the HIGH period of the Acknowledge clock pulse. Setup and hold times must be taken into account. On a master receive, the termination of the data transfer can be signaled by the master generating a Not-Acknowledge on the last byte that has been transmitted by the slave.

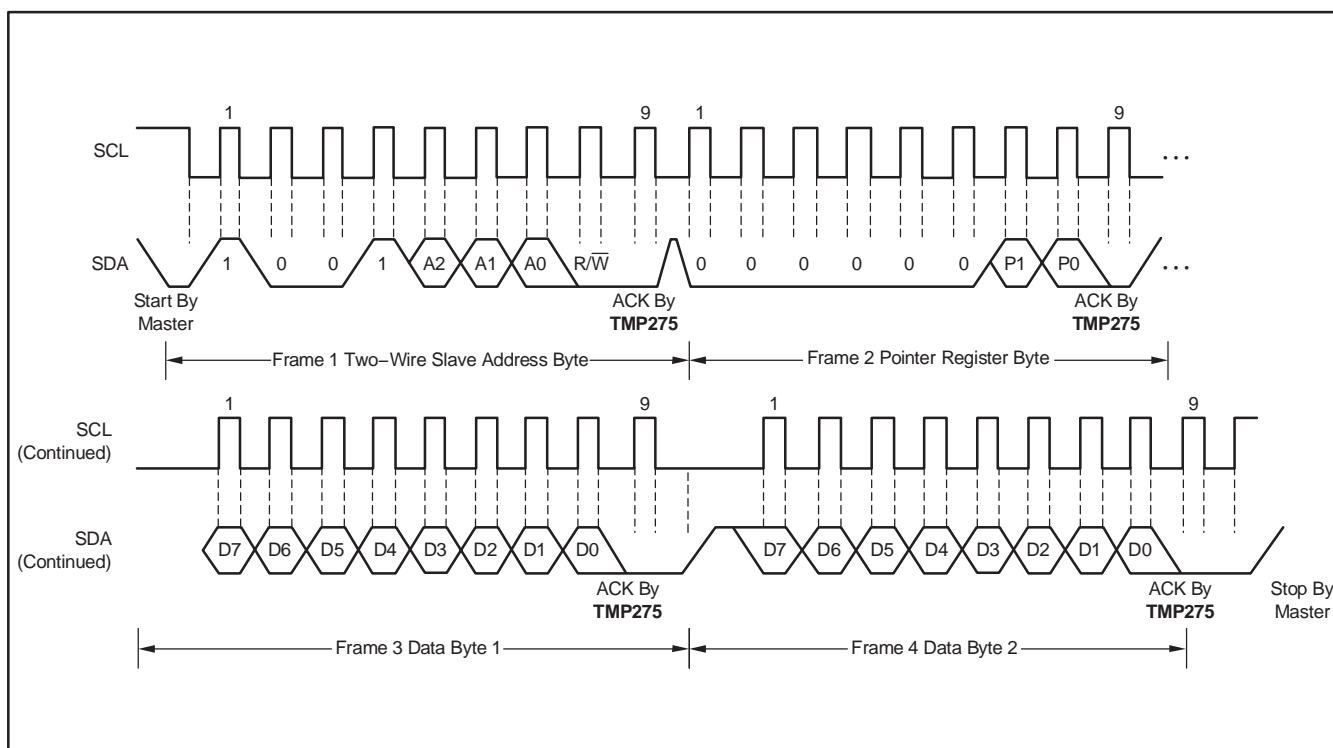
| PARAMETER   |               | FAST MODE |             | HIGH-SPEED MODE |     | UNITS    |
|---|---------------|-----------|-------------|-----------------|-----|----------|
|   |               | MIN       | MAX         | MIN             | MAX |          |
| SCL Operating Frequency   | $f_{(SCL)}$   | 0.001     | 0.4         | 0.001           | 3.4 | MHz      |
| Bus Free Time Between STOP and START Condition  | $t_{(BUF)}$   | 600       |             | 160             |     | ns       |
| Hold time after repeated START condition.<br>After this period, the first clock is generated. | $t_{(HDSTA)}$ | 100       |             | 100             |     | ns       |
| Repeated START Condition Setup Time   | $t_{(SUSTA)}$ | 100       |             | 100             |     | ns       |
| STOP Condition Setup Time   | $t_{(SUSTO)}$ | 100       |             | 100             |     | ns       |
| Data Hold Time  | $t_{(HDDAT)}$ | 0         |             | 0               |     | ns       |
| Data Setup Time   | $t_{(SUDAT)}$ | 100       |             | 10              |     | ns       |
| SCL Clock LOW Period  | $t_{(LOW)}$   | 1300      |             | 160             |     | ns       |
| SCL Clock HIGH Period   | $t_{(HIGH)}$  | 600       |             | 60              |     | ns       |
| Clock/Data Fall Time  | $t_F$         |           | 300         |                 | 160 | ns       |
| Clock/Data Rise Time<br>for $SCLK \leq 100kHz$  | $t_R$         |           | 300<br>1000 |                 | 160 | ns<br>ns |

**Table 12. Timing Diagram Definitions for the TMP275**

## TWO-WIRE TIMING DIAGRAMS



**Figure 4. Two-Wire Timing Diagram**



**Figure 5. Two-Wire Timing Diagram for TMP275 Write Word Format**

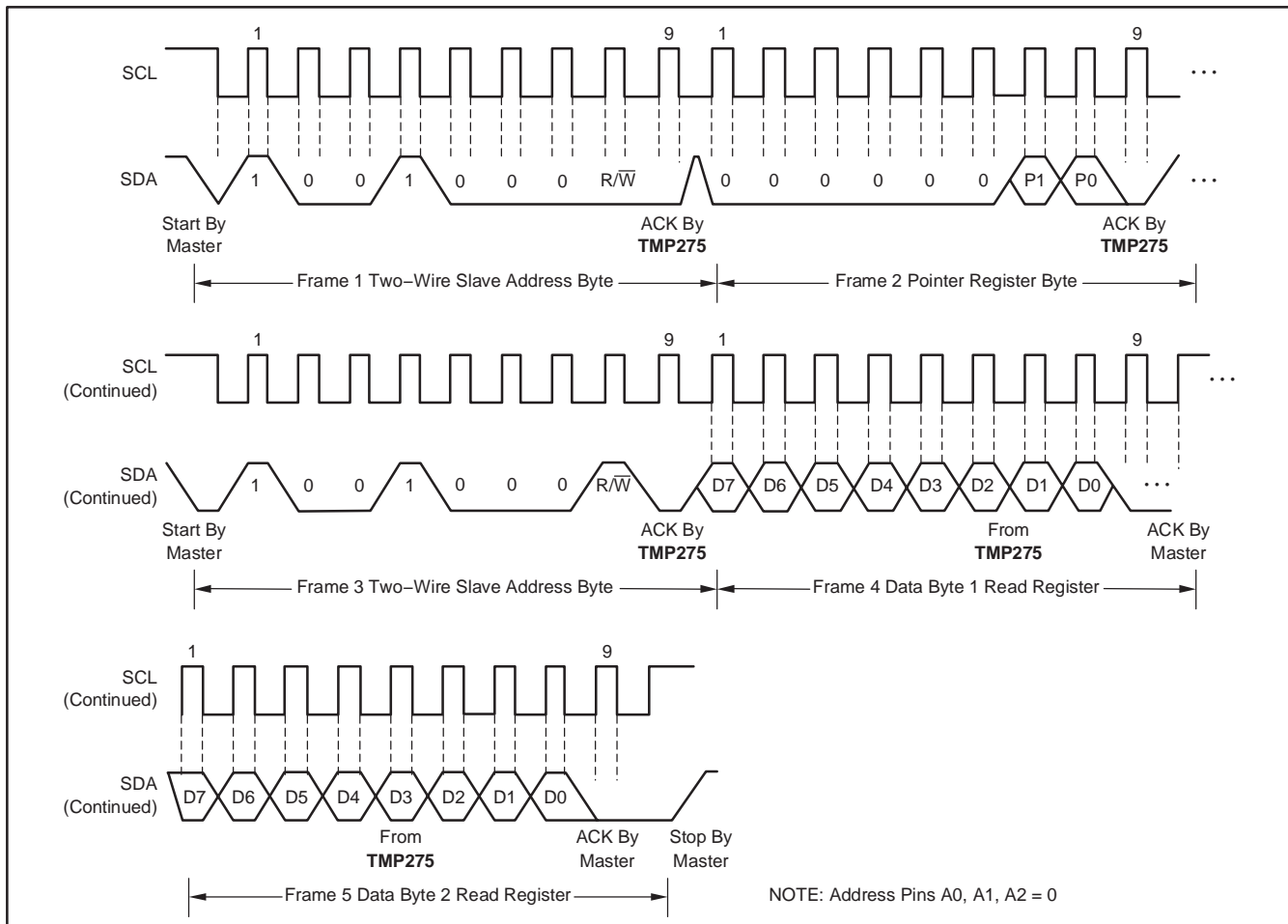


Figure 6. Two-Wire Timing Diagram for Read Word Format

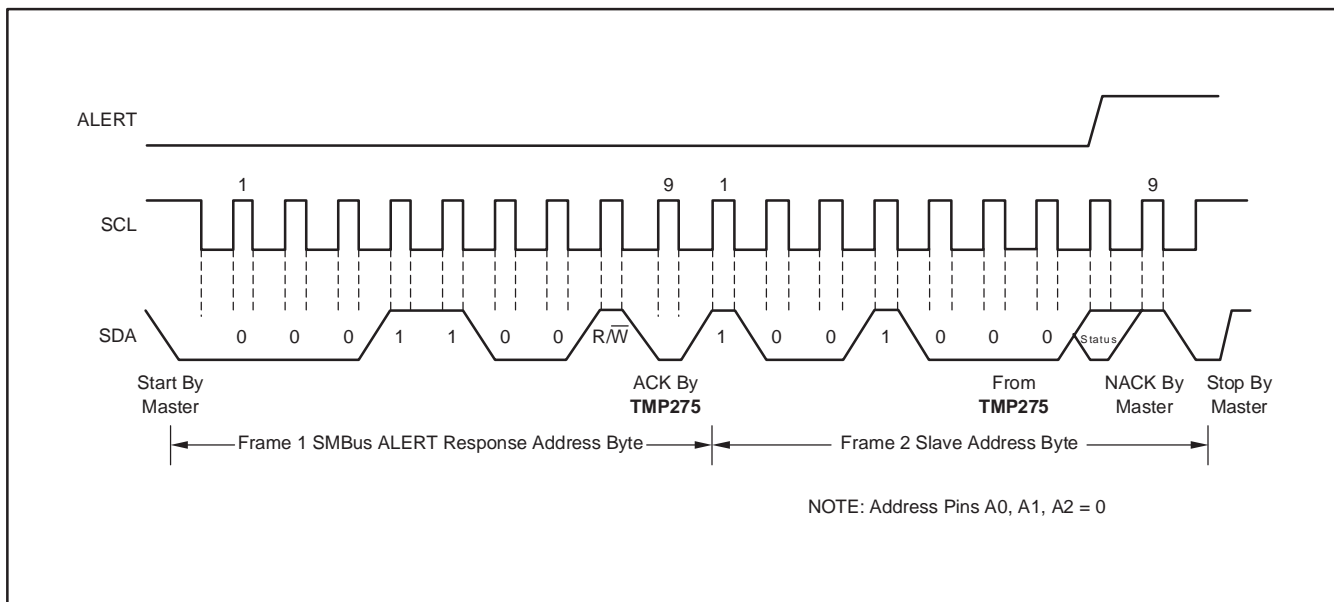


Figure 7. Timing Diagram for SMBus ALERT

**PACKAGING INFORMATION**

| Orderable Device | Status <sup>(1)</sup> | Package Type | Package Drawing | Pins | Package Qty | Eco Plan <sup>(2)</sup> | Lead/Ball Finish | MSL Peak Temp <sup>(3)</sup> |
|------------------|-----------------------|--------------|-----------------|------|-------------|-------------------------|------------------|------------------------------|
| TMP275AIDGKR     | ACTIVE                | MSOP         | DGK             | 8    | 2500        | Green (RoHS & no Sb/Br) | CU NIPDAU        | Level-2-260C-1 YEAR          |
| TMP275AIDGKRG4   | ACTIVE                | MSOP         | DGK             | 8    | 2500        | Green (RoHS & no Sb/Br) | CU NIPDAU        | Level-2-260C-1 YEAR          |
| TMP275AIDGKT     | ACTIVE                | MSOP         | DGK             | 8    | 250         | Green (RoHS & no Sb/Br) | CU NIPDAU        | Level-2-260C-1 YEAR          |
| TMP275AIDGKTG4   | ACTIVE                | MSOP         | DGK             | 8    | 250         | Green (RoHS & no Sb/Br) | CU NIPDAU        | Level-2-260C-1 YEAR          |

<sup>(1)</sup> The marketing status values are defined as follows:

**ACTIVE:** Product device recommended for new designs.

**LIFEBUY:** TI has announced that the device will be discontinued, and a lifetime-buy period is in effect.

**NRND:** Not recommended for new designs. Device is in production to support existing customers, but TI does not recommend using this part in a new design.

**PREVIEW:** Device has been announced but is not in production. Samples may or may not be available.

**OBSOLETE:** TI has discontinued the production of the device.

<sup>(2)</sup> Eco Plan - The planned eco-friendly classification: Pb-Free (RoHS), Pb-Free (RoHS Exempt), or Green (RoHS & no Sb/Br) - please check <http://www.ti.com/productcontent> for the latest availability information and additional product content details.

**TBD:** The Pb-Free/Green conversion plan has not been defined.

**Pb-Free (RoHS):** TI's terms "Lead-Free" or "Pb-Free" mean semiconductor products that are compatible with the current RoHS requirements for all 6 substances, including the requirement that lead not exceed 0.1% by weight in homogeneous materials. Where designed to be soldered at high temperatures, TI Pb-Free products are suitable for use in specified lead-free processes.

**Pb-Free (RoHS Exempt):** This component has a RoHS exemption for either 1) lead-based flip-chip solder bumps used between the die and package, or 2) lead-based die adhesive used between the die and leadframe. The component is otherwise considered Pb-Free (RoHS compatible) as defined above.

**Green (RoHS & no Sb/Br):** TI defines "Green" to mean Pb-Free (RoHS compatible), and free of Bromine (Br) and Antimony (Sb) based flame retardants (Br or Sb do not exceed 0.1% by weight in homogeneous material)

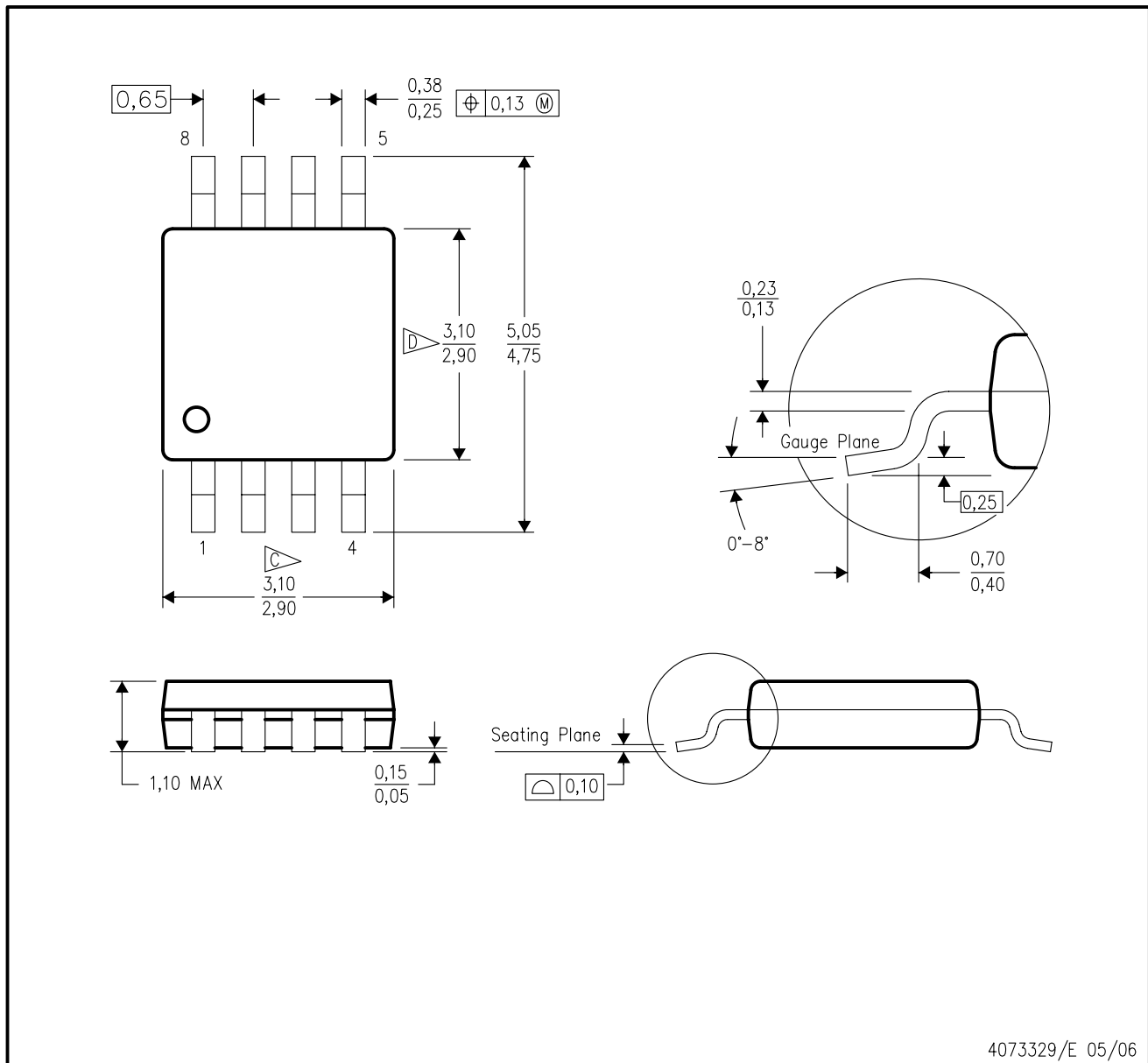
<sup>(3)</sup> MSL, Peak Temp. -- The Moisture Sensitivity Level rating according to the JEDEC industry standard classifications, and peak solder temperature.

**Important Information and Disclaimer:** The information provided on this page represents TI's knowledge and belief as of the date that it is provided. TI bases its knowledge and belief on information provided by third parties, and makes no representation or warranty as to the accuracy of such information. Efforts are underway to better integrate information from third parties. TI has taken and continues to take reasonable steps to provide representative and accurate information but may not have conducted destructive testing or chemical analysis on incoming materials and chemicals. TI and TI suppliers consider certain information to be proprietary, and thus CAS numbers and other limited information may not be available for release.

In no event shall TI's liability arising out of such information exceed the total purchase price of the TI part(s) at issue in this document sold by TI to Customer on an annual basis.

## DGK (S-PDSO-G8)

## PLASTIC SMALL-OUTLINE PACKAGE



- NOTES:
- A. All linear dimensions are in millimeters.
  - B. This drawing is subject to change without notice.
  - C. Body length does not include mold flash, protrusions, or gate burrs. Mold flash, protrusions, or gate burrs shall not exceed 0.15 per end.
  - D. Body width does not include interlead flash. Interlead flash shall not exceed 0.50 per side.
  - E. Falls within JEDEC MO-187 variation AA, except interlead flash.

## IMPORTANT NOTICE

Texas Instruments Incorporated and its subsidiaries (TI) reserve the right to make corrections, modifications, enhancements, improvements, and other changes to its products and services at any time and to discontinue any product or service without notice. Customers should obtain the latest relevant information before placing orders and should verify that such information is current and complete. All products are sold subject to TI's terms and conditions of sale supplied at the time of order acknowledgment.

TI warrants performance of its hardware products to the specifications applicable at the time of sale in accordance with TI's standard warranty. Testing and other quality control techniques are used to the extent TI deems necessary to support this warranty. Except where mandated by government requirements, testing of all parameters of each product is not necessarily performed.

TI assumes no liability for applications assistance or customer product design. Customers are responsible for their products and applications using TI components. To minimize the risks associated with customer products and applications, customers should provide adequate design and operating safeguards.

TI does not warrant or represent that any license, either express or implied, is granted under any TI patent right, copyright, mask work right, or other TI intellectual property right relating to any combination, machine, or process in which TI products or services are used. Information published by TI regarding third-party products or services does not constitute a license from TI to use such products or services or a warranty or endorsement thereof. Use of such information may require a license from a third party under the patents or other intellectual property of the third party, or a license from TI under the patents or other intellectual property of TI.

Reproduction of information in TI data books or data sheets is permissible only if reproduction is without alteration and is accompanied by all associated warranties, conditions, limitations, and notices. Reproduction of this information with alteration is an unfair and deceptive business practice. TI is not responsible or liable for such altered documentation.

Resale of TI products or services with statements different from or beyond the parameters stated by TI for that product or service voids all express and any implied warranties for the associated TI product or service and is an unfair and deceptive business practice. TI is not responsible or liable for any such statements.

Following are URLs where you can obtain information on other Texas Instruments products and application solutions:

| <b>Products</b>    |  | <b>Applications</b> |  |
|--------------------|--|---------------------|--|
| Amplifiers         | <a href="http://amplifier.ti.com">amplifier.ti.com</a>             | Audio               | <a href="http://www.ti.com/audio">www.ti.com/audio</a>                   |
| Data Converters    | <a href="http://dataconverter.ti.com">dataconverter.ti.com</a>     | Automotive          | <a href="http://www.ti.com/automotive">www.ti.com/automotive</a>         |
| DSP                | <a href="http://dsp.ti.com">dsp.ti.com</a>                         | Broadband           | <a href="http://www.ti.com/broadband">www.ti.com/broadband</a>           |
| Interface          | <a href="http://interface.ti.com">interface.ti.com</a>             | Digital Control     | <a href="http://www.ti.com/digitalcontrol">www.ti.com/digitalcontrol</a> |
| Logic              | <a href="http://logic.ti.com">logic.ti.com</a>                     | Military            | <a href="http://www.ti.com/military">www.ti.com/military</a>             |
| Power Mgmt         | <a href="http://power.ti.com">power.ti.com</a>                     | Optical Networking  | <a href="http://www.ti.com/opticalnetwork">www.ti.com/opticalnetwork</a> |
| Microcontrollers   | <a href="http://microcontroller.ti.com">microcontroller.ti.com</a> | Security            | <a href="http://www.ti.com/security">www.ti.com/security</a>             |
| Low Power Wireless | <a href="http://www.ti.com/lpw">www.ti.com/lpw</a>                 | Telephony           | <a href="http://www.ti.com/telephony">www.ti.com/telephony</a>           |
|                    |  | Video & Imaging     | <a href="http://www.ti.com/video">www.ti.com/video</a>                   |
|                    |  | Wireless            | <a href="http://www.ti.com/wireless">www.ti.com/wireless</a>             |

Mailing Address: Texas Instruments  
Post Office Box 655303 Dallas, Texas 75265

Copyright © 2006, Texas Instruments Incorporated