

CMOS 8-Bit Microcontroller

TMP88CS34NG/FG, TMP88CP34NG/FG

The TMP88CS34/CP34 is the high speed and high performance 8-bit single chip microcomputers. This MCU contain CPU core, ROM, RAM, input/output ports, four Multi-function timer/counters, serial bus interface, on-screen display, PWM output, 8-bit AD converter, and remote control signal preprocessor on chip.

Product No.	ROM	RAM	Package	OTP MCU
TMP88CS34NG/FG	64 K × 8-bit	1.5 K × 8-bit	P-SDIP42-600-1.78	TMP88PS34NG/FG
TMP88CP34NG/FG	48 K × 8-bit		P-QFP44-1414-0.80D	

Features

- ◆ 8-bit single chip microcomputer TLCS-870/X Series
- ◆ Instruction execution time: 0.25 μs (at 16 MHz)
- ◆ 842 basic instructions
 - Multiplication and Division (8 bits × 8 bits, 16 bits × 8 bits, 16 bits/8 bits)
 - Bit manipulations (Set/Clear/Complement/Move/Test/Exclusive or)
 - 16-bit data and 20-bit data operations
 - 1-byte jump/subroutine-call (Short relative jump/Vector call)
- ◆ I/O ports: Maximum 33 (High current output: 4)

RESTRICTIONS ON PRODUCT USE

030619EBP

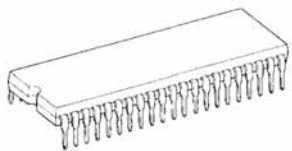
- The information contained herein is subject to change without notice.
- The information contained herein is presented only as a guide for the applications of our products. No responsibility is assumed by TOSHIBA for any infringements of patents or other rights of the third parties which may result from its use. No license is granted by implication or otherwise under any patent or patent rights of TOSHIBA or others.
- TOSHIBA is continually working to improve the quality and reliability of its products. Nevertheless, semiconductor devices in general can malfunction or fail due to their inherent electrical sensitivity and vulnerability to physical stress. It is the responsibility of the buyer, when utilizing TOSHIBA products, to comply with the standards of safety in making a safe design for the entire system, and to avoid situations in which a malfunction or failure of such TOSHIBA products could cause loss of human life, bodily injury or damage to property.
In developing your designs, please ensure that TOSHIBA products are used within specified operating ranges as set forth in the most recent TOSHIBA products specifications. Also, please keep in mind the precautions and conditions set forth in the "Handling Guide for Semiconductor Devices," or "TOSHIBA Semiconductor Reliability Handbook" etc..
- The TOSHIBA products listed in this document are intended for usage in general electronics applications (computer, personal equipment, office equipment, measuring equipment, industrial robotics, domestic appliances, etc.). These TOSHIBA products are neither intended nor warranted for usage in equipment that requires extraordinarily high quality and/or reliability or a malfunction or failure of which may cause loss of human life or bodily injury ("Unintended Usage"). Unintended Usage include atomic energy control instruments, airplane or spaceship instruments, transportation instruments, traffic signal instruments, combustion control instruments, medical instruments, all types of safety devices, etc.. Unintended Usage of TOSHIBA products listed in this document shall be made at the customer's own risk.
- The products described in this document are subject to the foreign exchange and foreign trade laws.
- TOSHIBA products should not be embedded to the downstream products which are prohibited to be produced and sold, under any law and regulations.
- For a discussion of how the reliability of microcontrollers can be predicted, please refer to Section 1.3 of the chapter entitled Quality and Reliability Assurance/Handling Precautions.

- ◆ 15 interrupt sources: External 6, Internal 10
 - All sources have independent latches each, and nested interrupt control is available.
 - Edge-selectable external interrupts with noise reject
 - High-speed task switching by register bank changeover
- ◆ ROM corrective function
- ◆ Two 16-bit timer/counters: TC1, TC2
 - Timer, Event-counter, Pulse width measurement, External trigger timer, Window modes
- ◆ Two 8-bit timer/counters: TC3, TC4
 - Timer, Event counter, Capture (Pulse width/duty measurement) mode
- ◆ Time base timer (Interrupt frequency: 0.95 Hz to 31250 Hz)
- ◆ Watchdog timer
 - Interrupt source/reset output
- ◆ Serial bus interface
 - I²C bus, 8-bit SIO mode (Selectable two I/O channels)
- ◆ On-screen display circuit
 - Font ROM characters: Mono font 383 characters, color font 96 characters or mono font 447 characters, color font 64 characters
 - Characters display: 32 columns × 12 lines
 - Composition: 16 × 18 dots
 - Size of character: 4 kinds (line by line)
 - Color of character: 8 or 27 kinds (character by character)
 - Variable display position: Horizontal 256 steps, Vertical 625 steps
 - Fringing, Smoothing, Slant, Underline, Blinking function
- ◆ Jitter elimination
- ◆ DA conversion (Pulse Width Modulation) outputs
 - 14/12-bit resolution (2 channels)
 - 12-bit resolution (2 channels)
- ◆ 8-bit successive approximate type AD converter with sample and hold
- ◆ High current output: 1 pin (typ. 20 mA)
- ◆ Remote control signal preprocessor
- ◆ Two power saving operating modes
 - STOP mode: Oscillation stops. Battery/Capacitor back-up. Port output hold/high-impedance.
 - IDLE mode: CPU stops, and Peripherals operate using high-frequency clock. Release by interrupts.
- ◆ Operating voltage: 4.5 to 5.5 V at 16 MHz
- ◆ Emulation POD: BM88CS34N0A-M15

Pin Assignments

Package

P-SDIP42-600-1.78

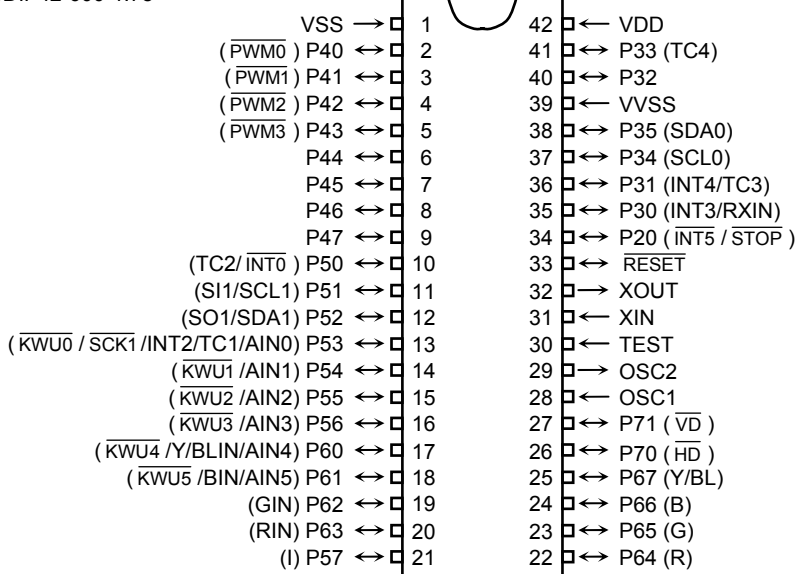


TMP88CS34NG

TMP88CP34NG

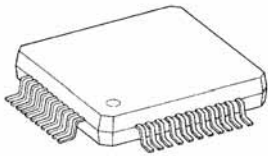
TMP88PS34NG

P-SDIP42-600-1.78



Package

P-QFP44-1414-0.80D

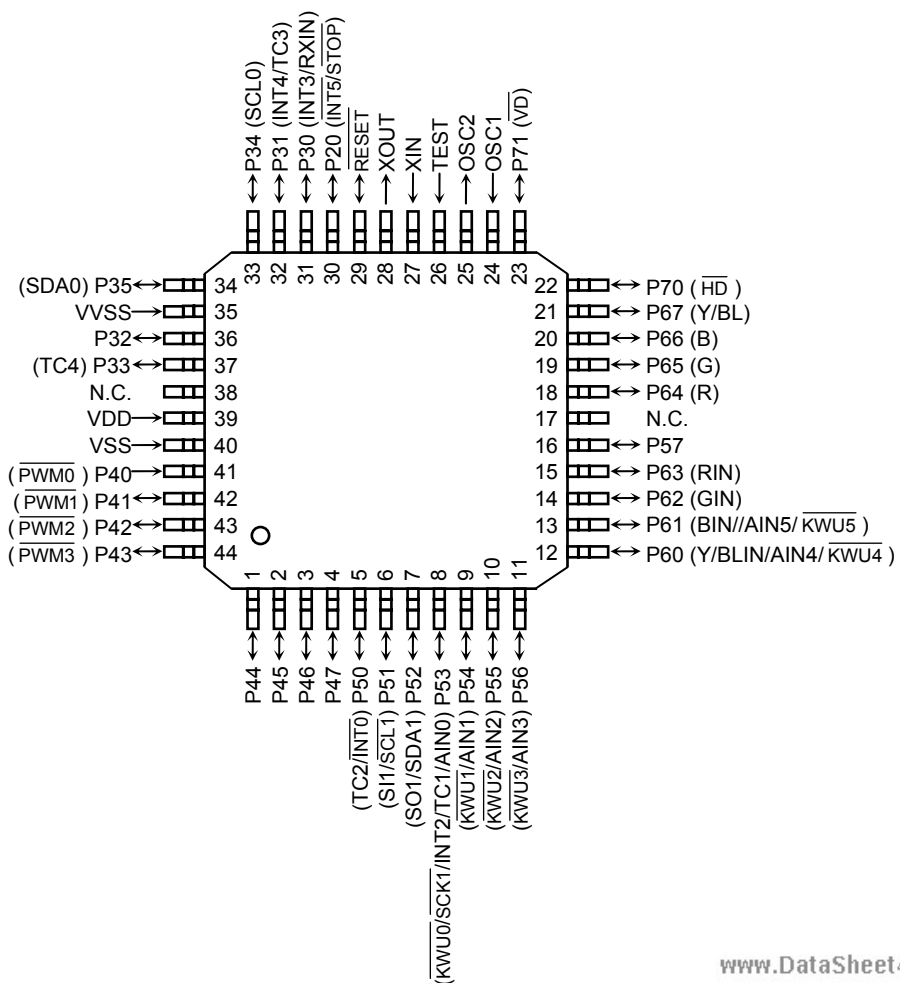


TMP88CS34FG

TMP88CP34FG

TMP88PS34FG

P-QFP44-1414-0.80D



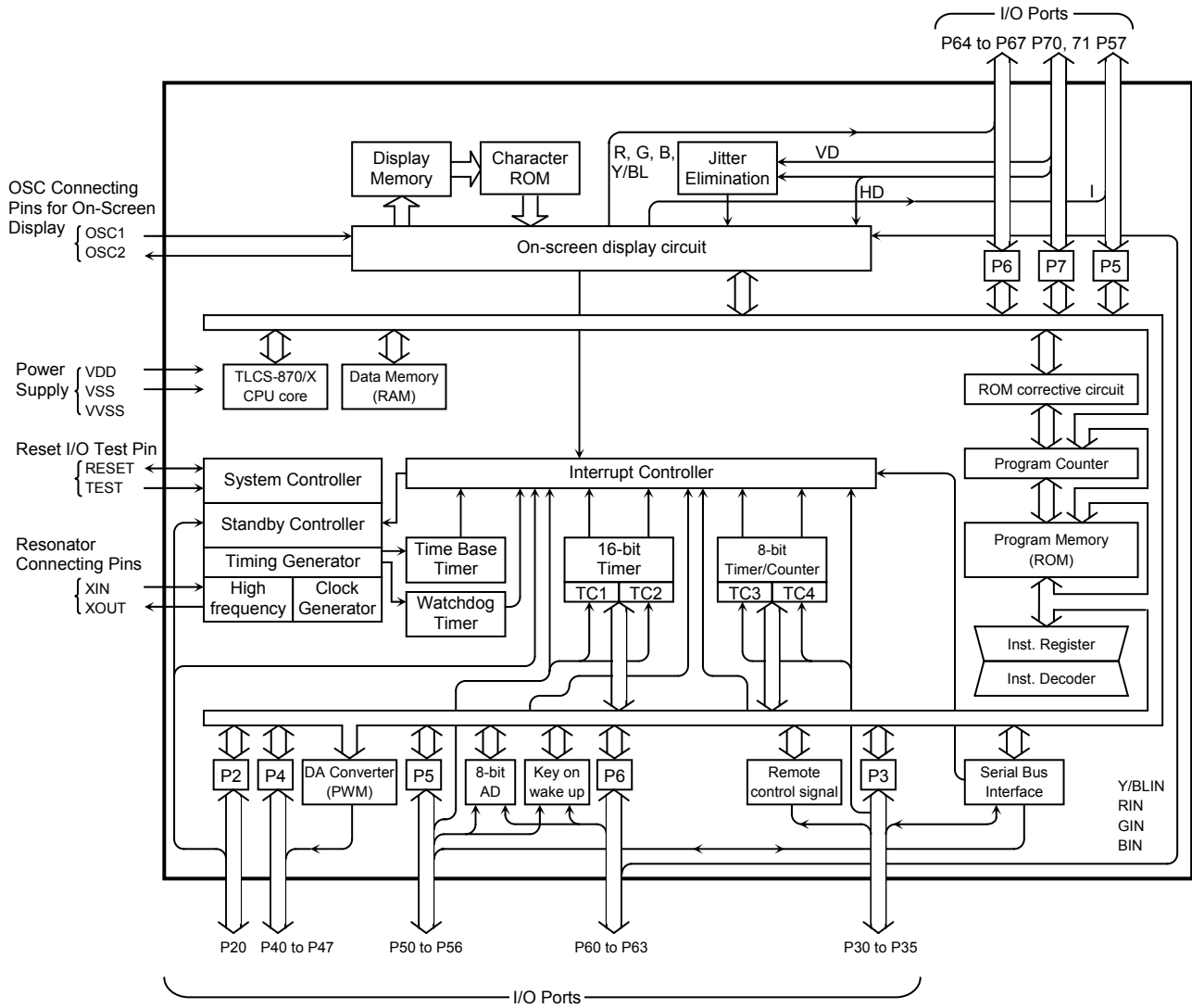
Pin Functions (1/2)

Pin Name	I/O	Function	
P20 ($\overline{\text{INT5}}$ / $\overline{\text{STOP}}$)	I/O (Input)	1-bit input/output port with latch. When used as an input port, the latch must be set to "1".	External interrupt input 5 or STOP mode release signal input
P35 (SDA0)	I/O (Input/Output)	6-bit programmable input/output port. Each bit of these ports can be individually configured as an input or an output under software control. During reset, all bits are configured as inputs. When used as a serial bus interface input/output, the latch must be set to "1".	I ² C bus serial data input/output 0
P34 (SCL0)	I/O (Input/Output)		I ² C bus serial clock input/output 0
P33 (TC4)	I/O (Input)		
P32	I/O		Video signal input 1 or Composite sync input
P31 (INT4/TC3)	I/O (Input)		External interrupt input 4 or Timer/Counter input 3
P30 (INT3/RXIN)	I/O (Input)		External interrupt input 3 or Remote control signal preprocessor input
P47	I/O	8-bit programmable input/output port. Each bit of these ports can be individually configured as an input or an output under software control. During reset, all bits are configured as inputs.	
P46	I/O		
P45	I/O		
P44	I/O		
P43 ($\overline{\text{PWM3}}$)	I/O (Output)		12-bit DA conversion (PWM) outputs
P42 ($\overline{\text{PWM2}}$)	I/O (Output)		
P41 ($\overline{\text{PWM1}}$)	I/O (Output)		14/12-bit DA conversion (PWM) outputs
P40 ($\overline{\text{PWM0}}$)	I/O (Output)		
P57 (I)	I/O (Output)	8-bit programmable input/output port. Each bit of these ports can be individually configured as an input or an output under software control. During reset, all bits are configured as inputs. When used as a serial bus interface input/output, the latch must be set to "1".	Translucent signal output
P56 ($\overline{\text{KWU3}}$ /AIN3)	I/O (Input)		Key on wake-up inputs or AD converter analog inputs
P55 ($\overline{\text{KWU2}}$ /AIN2)	I/O (Input)		
P54 ($\overline{\text{KWU1}}$ /AIN1)	I/O (Input)		Key on wake-up input or AD converter analog input or Timer/counter input 1 or External interrupt input 2 or SIO serial clock input/output 1
P53 ($\overline{\text{KWU0}}$ /AIN0/TC1 /INT2/ $\overline{\text{SCK1}}$)	I/O (Input/Input/Input /Input/Output)		
P52 (SDA1/SO1)	I/O (Input/Output/Output)		I ² C bus serial data Input/Output 1 or SIO serial data output 1
P51 (SCL1/SI1)	I/O (Input/Output/Input)		I ² C bus serial data Input/Output 1 or SIO serial data input 1
P50 (TC2/ $\overline{\text{INT0}}$)	I/O (Input/Input)		Timer/Counter input 2 or External interrupt input 0
P67 (Y/BL)	I/O (Output)	8-bit programmable input/output port. (P67 to 61: Tri-State, P60: High current output) Each bit of these ports can be individually configured as an input or an output under software control. During reset, all bits are configured as inputs. When used P64 to P67 as port, each bit of the P6 port data selection register (bit 7 to 4 in ORP6S) must be set to "1".	Y or BL output
P66 (B)	I/O (Output)		R/G/B outputs
P65 (G)	I/O (Output)		
P64 (R)	I/O (Output)		R input
P63 (RIN)	I/O (Input)		G input
P62 (GIN)	I/O (Input)		
P61 ($\overline{\text{KWU5}}$ /BIN/AIN5)	I/O (Input)		Key on wake-up input 5 or B input or AD converter analog input 5
P60 ($\overline{\text{KWU4}}$ /YBLIN/AIN4)	I/O (Input)		P63 to P61 output "0" after a reset. When these dual-function pins are used as ports, be sure to set ORP6S2 to "1".

Pin Functions (2/2)

Pin Name	I/O	Function	
P71 (\overline{VD})	I/O (Input)	2-bit programmable input/output port. Each bit of these ports can be individually configured as an input or an output under software control. During reset, all bits are configured as inputs.	Vertical synchronous signal input
P70 (\overline{HD})	I/O (Input)		Horizontal synchronous signal input
XIN, XOUT	Input, Output	Resonator connecting pins. For inputting external clock, XIN is used and XOUT is opened.	
RESET	I/O	Reset signal input or watchdog timer output/address-trap-reset output/system-clock-rest output	
TEST	Input	Test pin for out-going test. Be tied to low.	
OSC1, OSC2	Input, Output	Resonator connecting pins for on-screen display circuitry	
VDD, VSS, VVSS	Power Supply	+5 V, 0 V (GND)	

Block Diagram



Operational Description

1. CPU Core Functions

The CPU core consists of a CPU, a system clock controller, and an interrupt controller.

This section provides a description of the CPU core, the program memory, the data memory, the external memory interface, and the reset circuit.

1.1 Memory Address Map

The TMP88CS34/CP34 memory consists of four blocks: ROM, RAM, SFR (Special Function Register), and DBR (Data Buffer Register). They are all mapped to a 1-Mbyte address space. Figure 1.1.1 shows the TMP88CS34/CP34 memory address map. There are 16 banks of the general-purpose register. The register banks are also assigned to the RAM address space.

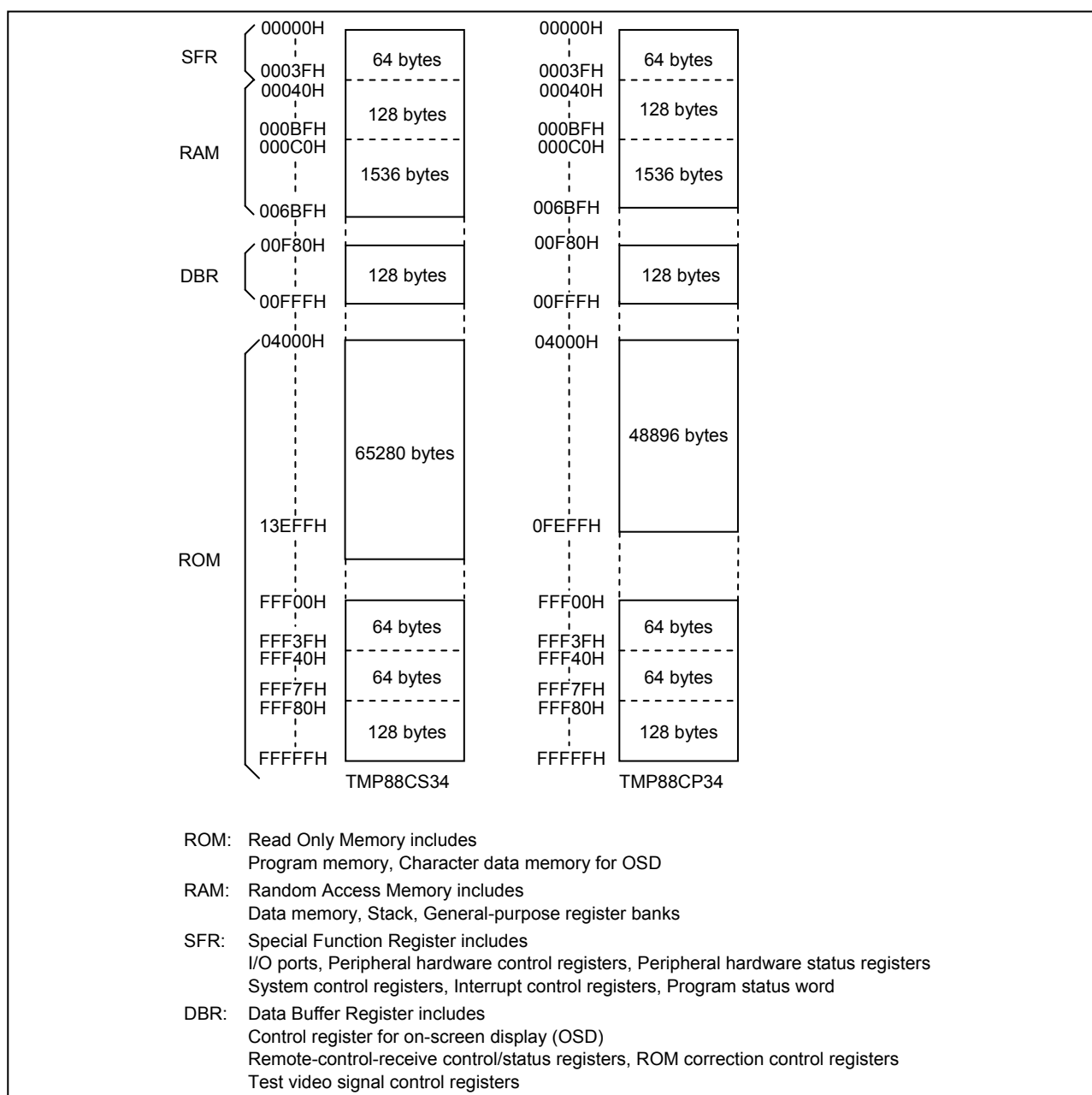


Figure 1.1.1 Memory Address Map

1.2 Program Memory (ROM)

The TMP88CS34 contains a 64-Kbyte program memory (mask ROM) at addresses from 04000 to 13EFFH and FFF00 to FFFFFH.

The TMP88CP34 contains a 48-Kbyte program memory (mask ROM) at address from 04000 to 0FEFFH and FFF00 to FFFFFH.

Addresses FFF00 through FFFFFH in the program memory are also used for a particular purpose.

1.3 Data Memory (RAM)

The TMP88CS34/CP34 has a 1.5-Kbyte data memory (Static RAM) address from 0040 to 06BFH.

The first 128 bytes (addresses 00040 through 000BFH) in the built-in RAM are also available as general-purpose register banks.

The general-purpose registers are mapped in the RAM; therefore, do not clear RAM at the current bank addresses.

Example: Clears RAM to "00H" except the bank 0 (TMP88CS34/CP34):

```
LD HL, 0048H ; Sets start address to HL register pair
LD A, H      ; Sets initial data (00H) to A register
LD BC, 0677H ; Sets number of byte to BC register pair
SRAMCLR: LD (HL+), A
DEC BC
JRS F, SRAMCLR
```

Note: The data memory contents become unstable when the power supply is turned on; therefore, the data memory should be initialized by an initialization routine. Note that the general-purpose registers are mapped in the RAM; therefore, do not clear RAM at the current bank addresses.

1.4 System Clock Controller

The system clock controller consists of a clock generator, a timing generator, and a stand-by controller.

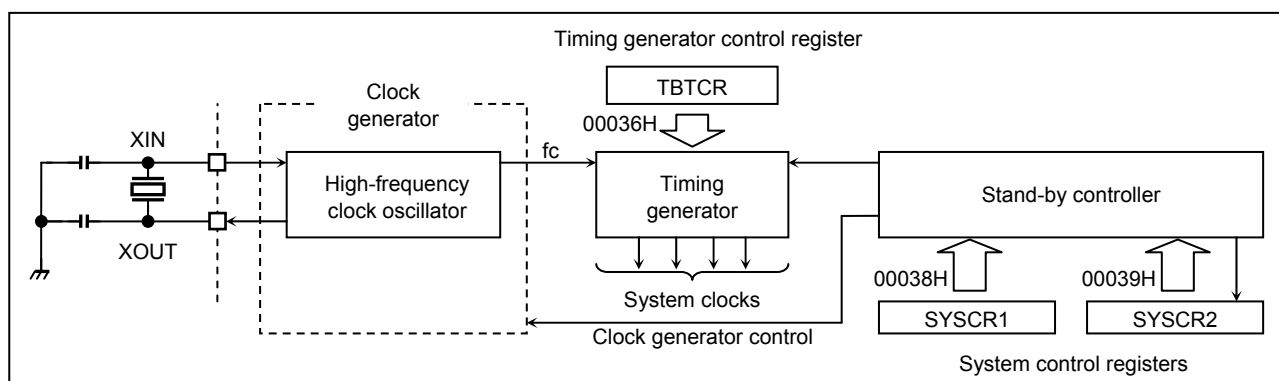


Figure 1.4.1 System Clock Controller

1.4.1 Clock Generator

The clock generator generates the basic clock which provides the system clocks supplied to the CPU core and peripheral hardware. It contains oscillation circuit: one for the high-frequency clock.

The high-frequency (f_c) clock can be easily obtained by connecting a resonator between the XIN/XOUT pin, respectively. Clock input from an external oscillator is also possible. In this case, external clock is applied to XIN pin with XOUT pin not connected.

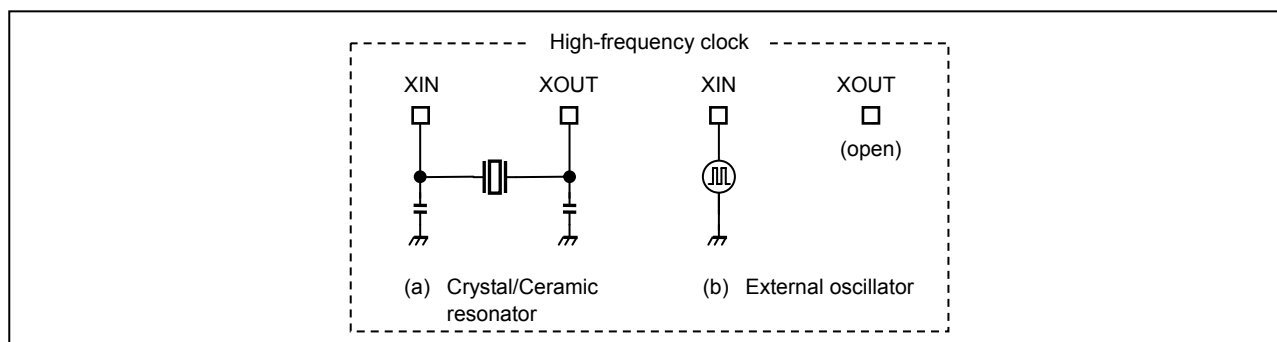


Figure 1.4.2 Examples of Resonator Connection

Note: Accurate adjustment of the oscillation frequency:

Although hardware to externally and directly monitor the basic clock pulse is not provided, the oscillation frequency can be adjusted by making the program to output fixed frequency pulses to the port while disabling all interrupts and monitoring this pulse. With a system requiring adjustment of the oscillation frequency, the adjusting program must be created beforehand.

1.4.2 Timing Generator

The timing generator generates from the basic clock the various system clocks supplied to the CPU core and peripheral hardware. The timing generator provides the following functions:

1. Generation of main system clock
2. Generation of source clocks for time base timer
3. Generation of source clocks for watchdog timer
4. Generation of internal source clocks for timer/counters TC1 to TC4
5. Generation of warm-up clocks for releasing STOP mode
6. Generation of a clock for releasing reset output

(1) Configuration of Timing Generator

The timing generator consists of a 21-stage divider with a divided-by-3 prescaler, a main system clock generator, and machine cycle counters.

During reset and at releasing STOP mode, the prescaler and the divider are cleared to "0", however, the prescaler is not cleared.

An input clock to the 7th stage of the divider depends on the operating mode.

A divided-by-256 of high-frequency clock ($f_c/2^8$) is input to the 7th stage of the divider.

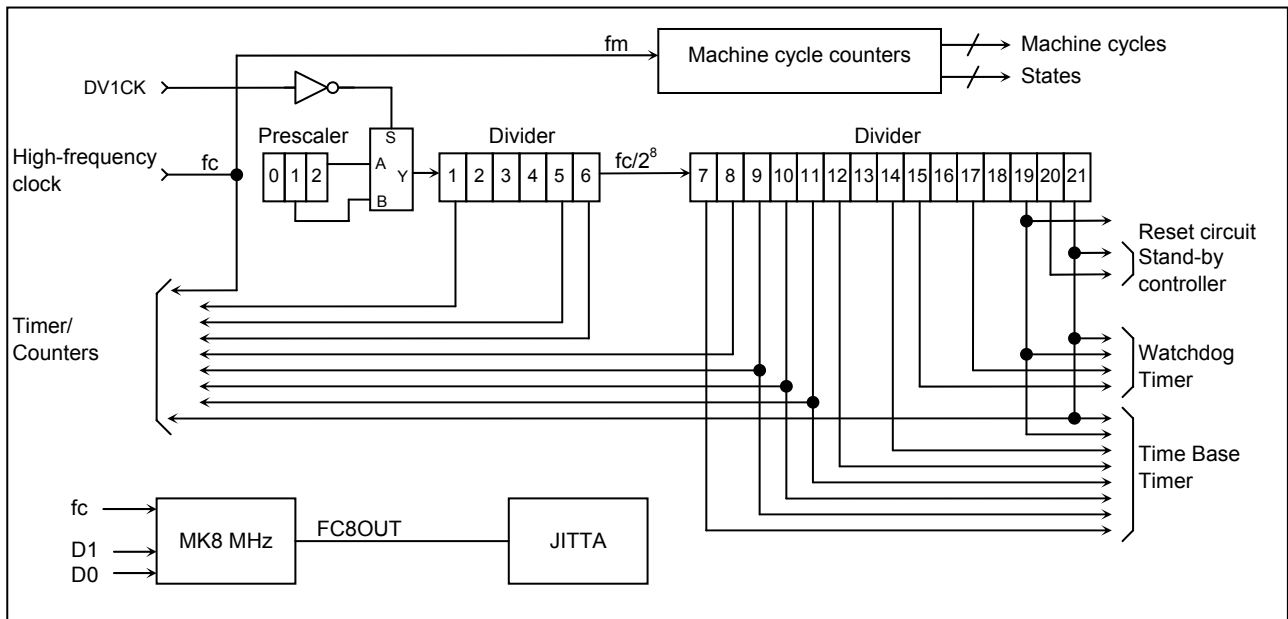


Figure 1.4.3 Configuration of Timing Generator

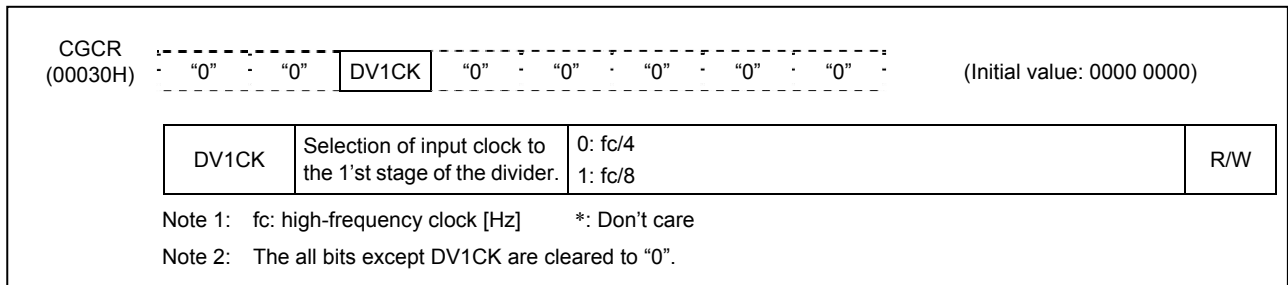


Figure 1.4.4 Divider Control Register

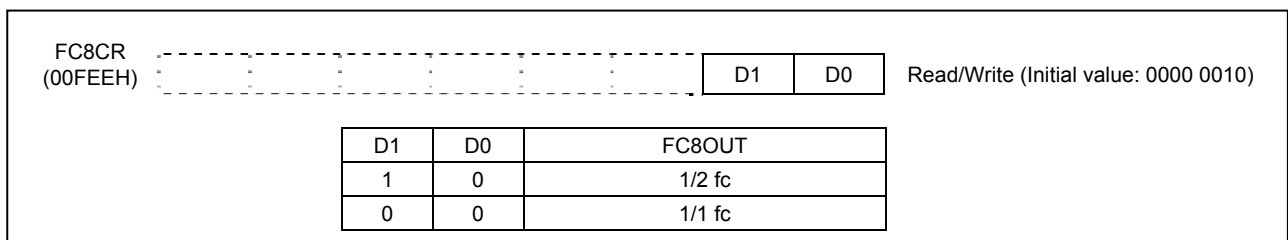


Figure 1.4.5 FC8 Control Register

(2) Machine Cycle

Instruction execution and peripheral hardware operation are synchronized with the main system clock. The minimum instruction execution unit is called a “machine cycle”.

There are a total of 15 different types of instructions for the TLCS-870/X Series: ranging from 1-cycle instructions which require one machine cycle for execution to 15-cycle instructions which require 15 machine cycles for execution.

A machine cycle consists of 4 states (S0 to S3), and each state consists of one main system clock.

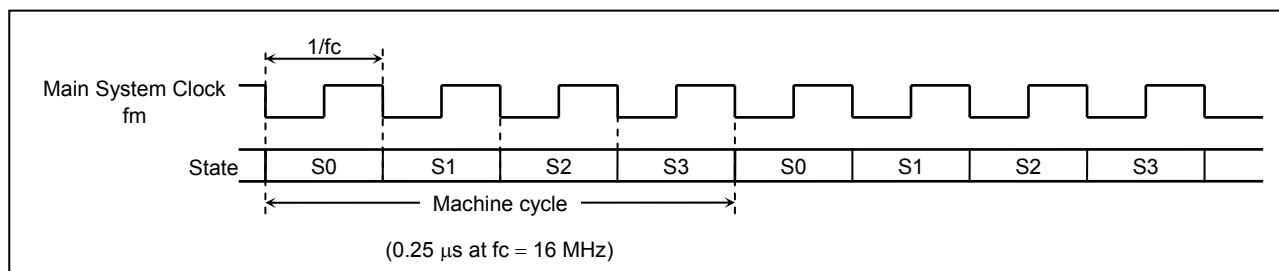


Figure 1.4.6 Machine Cycle

1.4.3 Stand-by Controller

The stand-by controller starts and stops the switches the main system clock. These modes are controlled by the system control registers (SYSCR1, SYSCR2).

Figure 1.4.7 shows the operating mode transition diagram and Figure 1.4.8 shows the system control registers.

Single-clock mode

In the single-clock mode, the machine cycle time is $4/f_c$ [s] (0.25 μ s at $f_c = 16$ MHz).

1. NORMAL mode

In this mode, both the CPU core and on-chip peripherals operate using the high-frequency clock.

2. IDLE mode

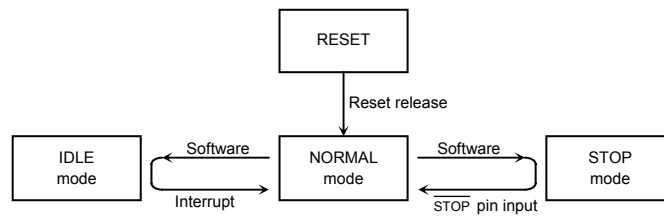
In this mode, the internal oscillation circuit remains active. The CPU and the watchdog timer are halted; however, on-chip peripherals remain active (operate using the high-frequency clock). IDLE mode is started by setting IDLE bit in the system control register 2 (SYSCR2), and IDLE mode is released to NORMAL mode by an interrupt request from on-chip peripherals or external interrupt inputs. When IMF (interrupt master enable flag) is “1” (interrupt enable), the execution will resume upon acceptance of the interrupt, and the operation will return to normal after the interrupt service is completed. When IMF is “0” (interrupt disable), the execution will resume with the instruction which follows IDLE mode start instruction.

3. STOP mode

In this mode, the internal oscillation circuit is turned off, causing all system operations to be halted.

The internal status immediately prior to the halt is held with the lowest power consumption during this mode.

STOP mode is started by setting STOP bit in the system control register 1 (SYSCR1), and STOP mode is released by an input (either level-sensitive or edge-sensitive can be programmably selected) to the $\overline{\text{STOP}}$ pin. After the warming-up period is completed, the execution resumes with the next instruction which follows the STOP mode start instruction.



(a) Single-clock mode

Note: NORMAL mode is generically called NORMAL; STOP mode is called STOP; and IDLE mode is called IDLE.

Operating Mode		Frequency		CPU Core	On-chip Peripherals	Machine Cycle Time
		High-frequency	Low-frequency			
Single-Clock	RESET	Turning on oscillation	Turning off oscillation	Reset	Reset	$4/f_c$ [s]
	NORMAL			Operate	Operate	
	IDLE	Turning off oscillation		Halt	Halt	Halt
	STOP					

Figure 1.4.7 Operating Mode Transition Diagram

System Control Register 1

SYSCR1 (00038H)

7	6	5	4	3	2	1	0
STOP	RELM	"0"	"1"	WUT		-----	

 (Initial value: 0000 00**)

STOP	STOP mode start	0: CPU core and peripherals remain active 1: CPU core and peripherals are halted (start STOP mode)	R/W	
RELM	Release method for STOP mode	0: Edge-sensitive release (Rising Edge) 1: Level-sensitive release ("H" Level)		
WUT	Warming-up time at releasing STOP mode	Return to NORMAL mode		
		DV1CK = 0	DV1CK = 1	
		00	$3 \times 2^{16}/fc$	$3 \times 2^{17}/fc$
		01	$2^{16}/fc$	$2^{17}/fc$
		10	Reserved	Reserved
		11	Reserved	Reserved

Note 1: Always set bit 5 in SYSCR1 to "0".

Note 2: When STOP mode is released with $\overline{\text{RESET}}$ pin input, a return is made to NORMAL mode regardless of the RETM contents.

Note 3: fc: High-frequency clock [Hz]
*: Don't care

Note 4: Bits 1 and 0 in SYSCR1 are read in as undefined data when a read instruction is executed.

Note 5: Always set bit 4 in SYSCR1 to "1" when STOP mode is started.

System Control Register 2

SYSCR2 (00039H)

7	6	5	4	3	2	1	0
"1"	"0"	"0"	IDLE	-----		-----	

 (Initial value: 1000 ****)

IDLE	IDLE mode start	0: CPU and watchdog timer remain active 1: CPU and watchdog timer are stopped (start IDLE mode)	R/W
------	-----------------	--	-----

Note 1: *: Don't care

Note 2: Always set bit 7, 6 and 5 in SYSCR2 to "100".

Figure 1.4.8 System Control Registers

1.4.4 Operating Mode Control

(1) STOP mode

STOP mode is controlled by the system control register 1 (SYSCR1) and the $\overline{\text{STOP}}$ pin input. The $\overline{\text{STOP}}$ pin is also used both as a port P20 and an $\overline{\text{INT5}}$ (external interrupt input 5) pin. STOP mode is started by setting STOP (bit 7 in SYSCR1) to "1". During STOP mode, the following status is maintained.

1. Oscillations are turned off, and all internal operations are halted.
2. The data memory, registers and port output latches are all held in the status in effect before STOP mode was entered.
3. The prescaler and the divider of the timing generator are cleared to "0".
4. The program counter holds the address of the instruction following the instruction which started the STOP mode.

STOP mode includes a level-sensitive release mode and an edge-sensitive release mode, either of which can be selected with RELM (bit 6 in SYSCR1).

a. Level-sensitive release mode (RELM = 1)

In this mode, STOP mode is released by setting the $\overline{\text{STOP}}$ pin high. This mode is used for capacitor back-up when the main power supply is cut off and long term battery back-up.

When the $\overline{\text{STOP}}$ pin input is high, executing an instruction which starts the STOP mode will not place in STOP mode but instead will immediately start the release sequence (warm-up). Thus, to start STOP mode in the level-sensitive release mode, it is necessary for the program to first confirm that the $\overline{\text{STOP}}$ pin input is low. The following method can be used for confirmation:

Using an external interrupt input $\overline{\text{INT5}}$ ($\overline{\text{INT5}}$ is a falling edge-sensitive input).

Example: Starting STOP mode with an INT5 interrupt.

```

PINT5: TEST (P2) . 0           ; To reject noise, the STOP mode does not
      JRS   F, SINT5           ; start if port P20 is at high
      LD   (SYSCR1), 01010000B ; Sets up the level-sensitive release mode.
      SET  (SYSCR1) . 7       ; Starts STOP mode
      LDW  (IL), 1110011101010111B ; IL12, 11, 7, 5, 3 ← 0 (Clears interrupt latches)
SINT5: RETI
  
```

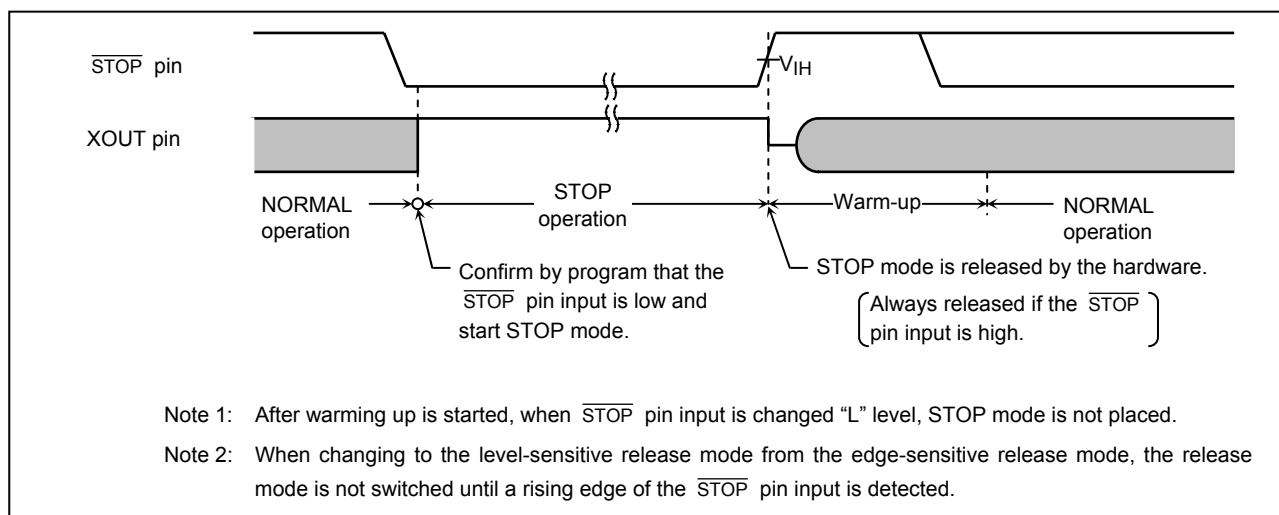


Figure 1.4.9 Level-sensitive Release Mode

b. Edge-sensitive release mode (RELM = 0)

In this mode, STOP mode is released by a rising edge of the $\overline{\text{STOP}}$ pin input. This is used in applications where a relatively short program is executed repeatedly at periodic intervals. This periodic signal (for example, a clock from a low-power consumption oscillator) is input to the $\overline{\text{STOP}}$ pin.

In the edge-sensitive release mode, STOP mode is started even when the $\overline{\text{STOP}}$ pin input is high.

Example: Starting STOP mode from NORMAL mode

LD (SYSCR1), 10010000B ; Starts after specified to the edge-sensitive mode

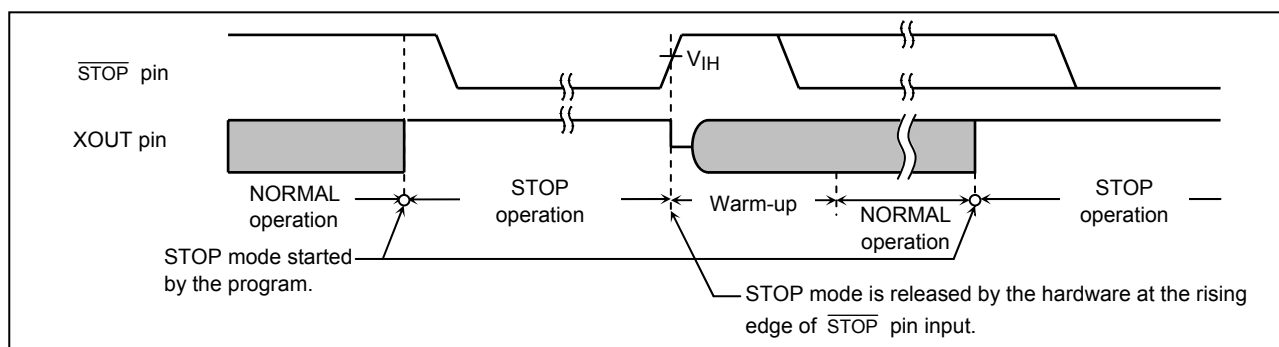


Figure 1.4.10 Edge-sensitive Release Mode

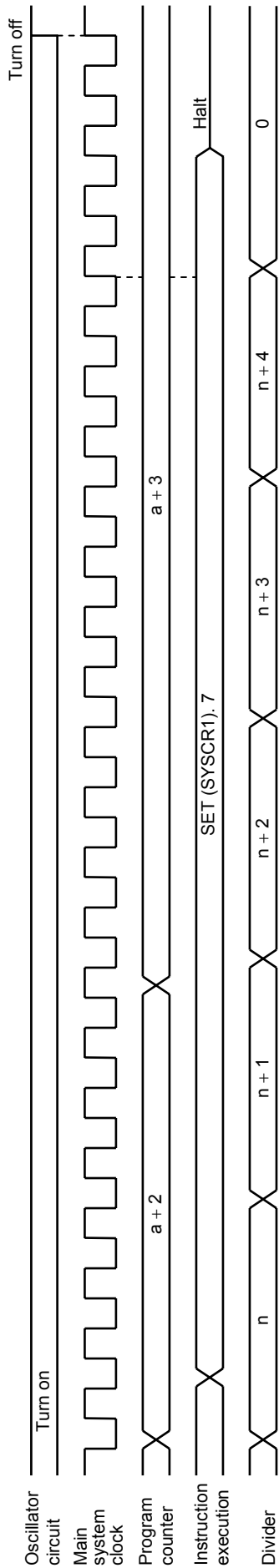
STOP mode is released by the following sequence:

1. When returning to NORMAL, clock oscillator is turned on.
2. A warming-up period is inserted to allow oscillation time to stabilize. During warm-up, all internal operations remain halted. Two different warming-up times can be selected with WUT (bits 2 and 3 in SYSCR1) as determined by the resonator characteristics.
3. When the warming-up time has elapsed, normal operation resumes with the instruction following the STOP mode start instruction (e.g. [SET (SYSCR1). 7]). The start is made after the divider of the timing generator is cleared to "0".

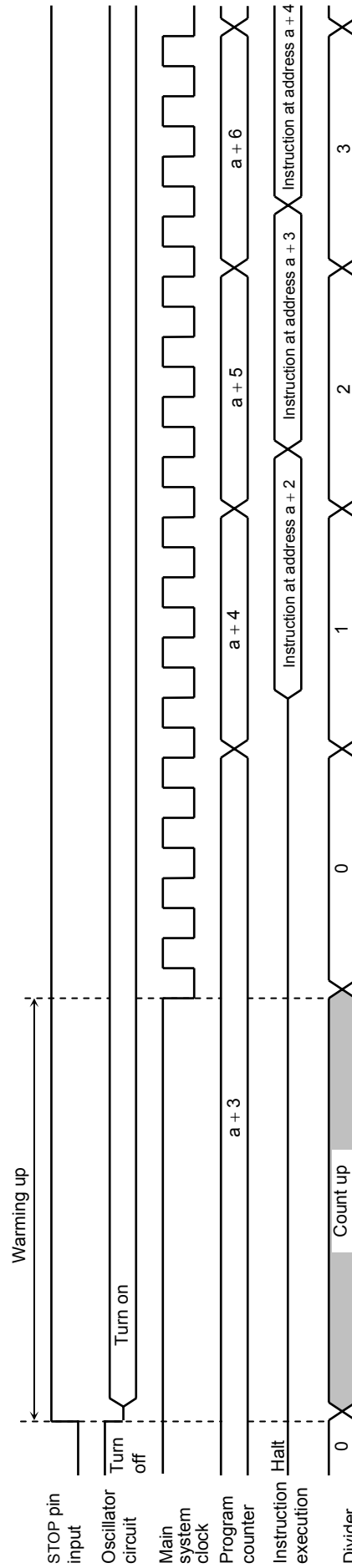
Table 1.4.1 Warming-up Time Example

WUT	Warming-up Time [ms]			
	Return to NORMAL mode			
	DV1CK = 0		DV1CK = 1	
00	$3 \times 2^{16}/f_c$	(12.29)	$3 \times 2^{17}/f_c$	(24.58)
01	$2^{16}/f_c$	(4.10)	$2^{17}/f_c$	(8.20)
10	Reserved	(-)	Reserved	(-)
11	Reserved	(-)	Reserved	(-)

Note: The warming-up time is obtained by dividing the basic clock by the divider: therefore, the warming-up time may include a certain amount of error if there is any fluctuation of the oscillation frequency when STOP mode is released. Thus, the warming-up time must be considered an approximate value.



(a) STOP Mode Start (Example: Start with SET (SYSCR1). 7 instruction located at address a)



(b) STOP Mode Release

Figure 1.4.11 STOP Mode Start/Release

STOP mode can also be released by setting the $\overline{\text{RESET}}$ pin low, which immediately performs the normal reset operation.

Note: When STOP mode is released with a low hold voltage, the following cautions must be observed.

The power supply voltage must be at the operating voltage level before releasing STOP mode. The $\overline{\text{RESET}}$ pin input must also be high, rising together with the power supply voltage. In this case, if an external time constant circuit has been connected, the $\overline{\text{RESET}}$ pin input voltage will increase at a slower rate than the power supply voltage. At this time, there is a danger that a reset may occur if input voltage level of the $\overline{\text{RESET}}$ pin drops below the non-inverting high-level input voltage (hysteresis input).

(2) IDLE mode

IDLE mode is controlled by the system control register 2 and maskable interrupts. The following status is maintained during IDLE mode.

1. Operation of the CPU and watchdog timer is halted. On-chip peripherals continue to operate.
2. The data memory, CPU registers and port output latches are all held in the status in effect before IDLE mode was entered.
3. The program counter holds the address of the instruction following the instruction which started IDLE mode.

Example: Starting IDLE mode.

```
SET (SYSCR2).4 ; IDLE ← 1
```

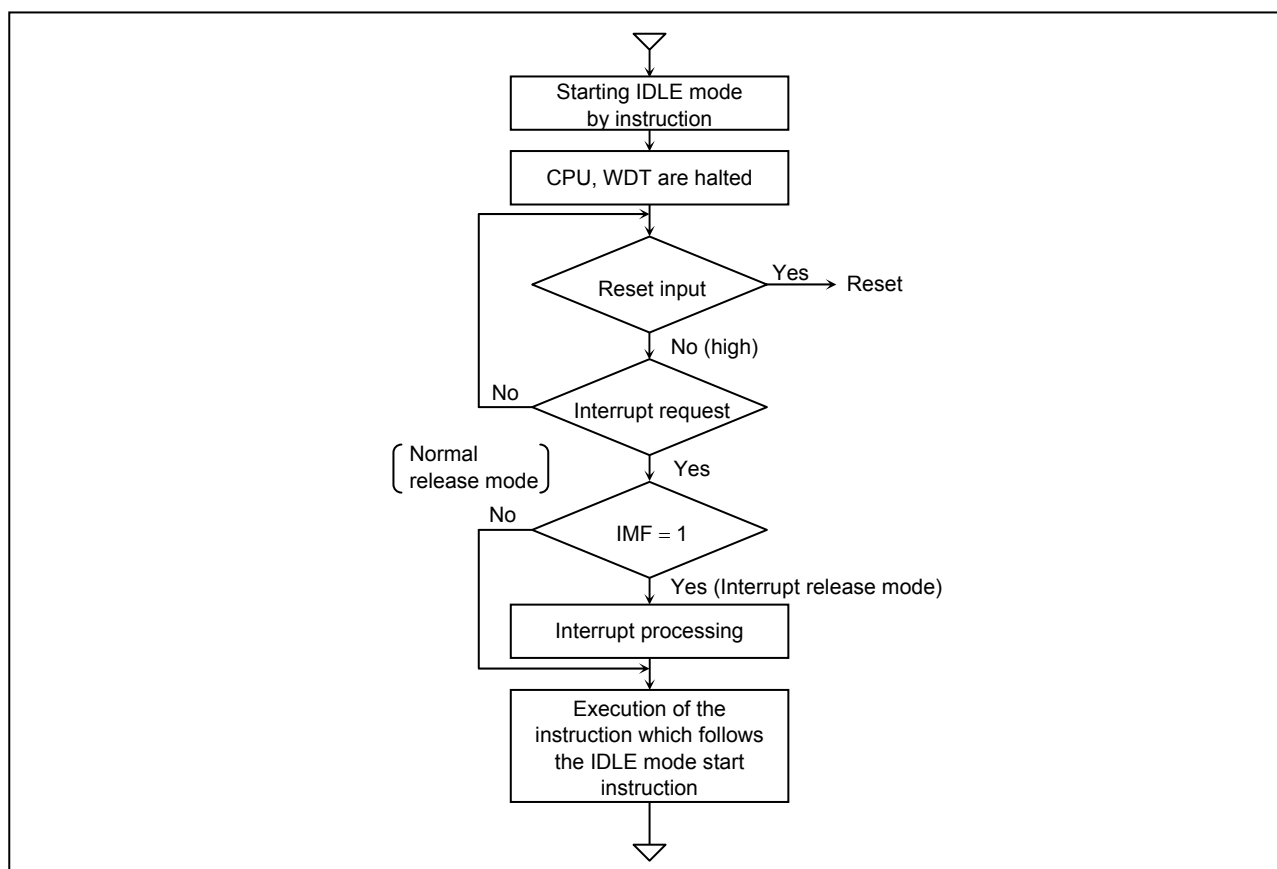


Figure 1.4.12 IDLE Mode

IDLE mode includes a normal release mode and an interrupt release mode. Selection is made with the interrupt master enable flag (IMF). Releasing the IDLE mode returns from IDLE to NORMAL.

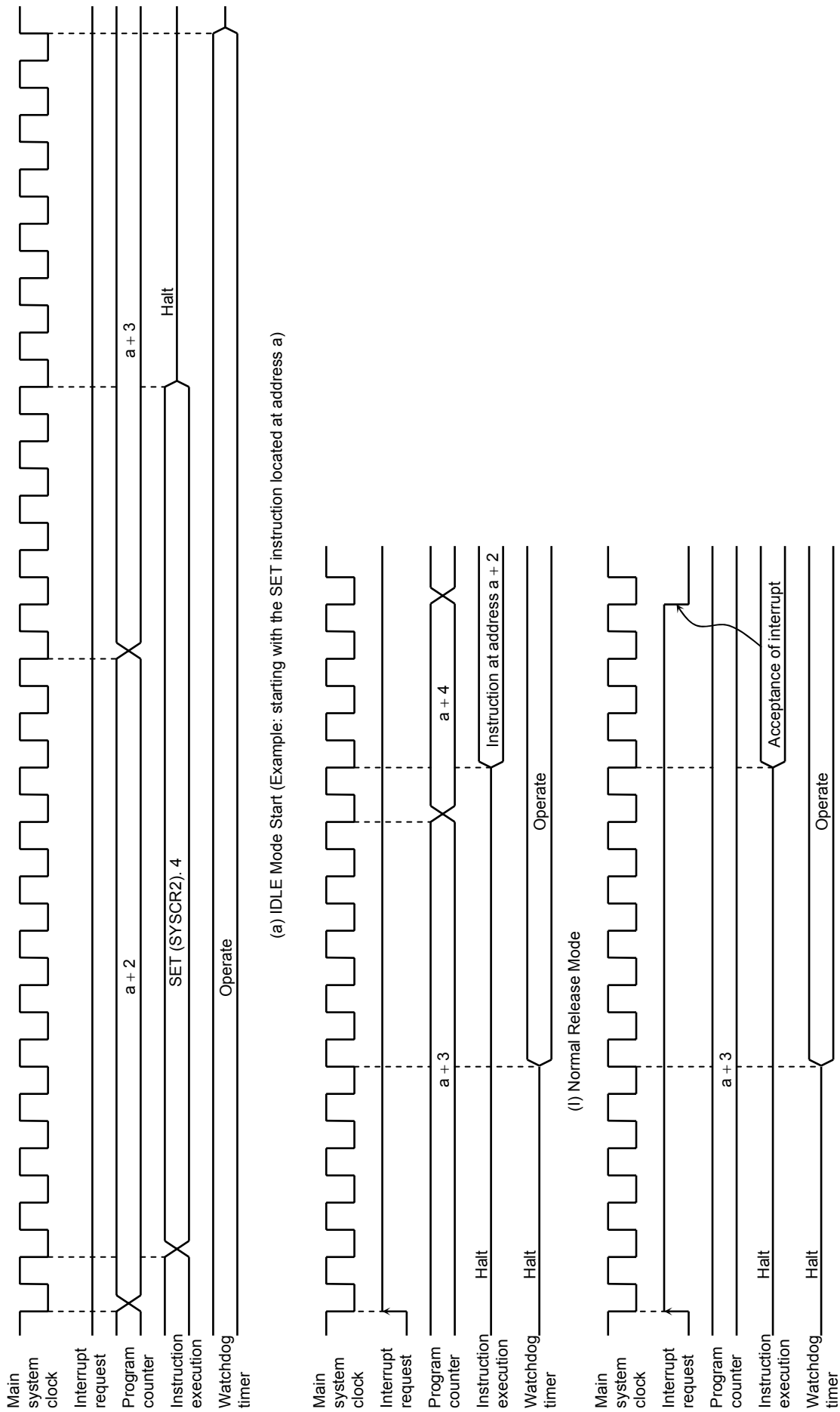
a. Normal release mode (IMF = "0")

IDLE mode is released by any interrupt source enabled by the individual interrupt enable flag (EF) or an external interrupt 0 ($\overline{\text{INT0}}$ pin) request. Execution resumes with the instruction following the IDLE mode start instruction (e.g. [SET (SYSCR2).4]). Normally, IL (Interrupt Latch) of interrupt source to release IDLE mode must be cleared by load instructions.

b. Interrupt release mode (IMF = "1")

IDLE mode is released and interrupt processing is started by any interrupt source enabled with the individual interrupt enable flag (EF) or an external interrupt 0 ($\overline{\text{INT0}}$ pin) request. After the interrupt is processed, the execution resumes from the instruction following the instruction which started IDLE mode.

Note: When a watchdog timer interrupt is generated immediately before the IDLE mode is started, the watchdog timer interrupt will be processed but IDLE mode will not be started.



(a) IDLE Mode Start (Example: starting with the SET instruction located at address a)

Figure 1.4.13 IDLE Mode Start/Release

IDLE mode can also be released by setting the $\overline{\text{RESET}}$ pin low, which immediately performs the reset operation. After reset, the TMP88CS34/CP34 is placed in NORMAL mode.

1.5 Interrupt Controller

The TMP88CS34/CP34 has a total of 16 interrupt sources; 6 externals and 10 internals. Multiple interrupts with priorities are also possible. Two of the internal sources are pseudo non-maskable interrupts; the remainder are all maskable interrupts.

Interrupt sources are provided with interrupt latches (IL), which hold interrupt requests, and independent vectors. The interrupt latch is set to “1” by the generation of its interrupt request which requests the CPU to accept its interrupts. Interrupts are enabled or disabled by software using the interrupt master enable flag (IMF) and interrupt enable flag (EF). If more than one interrupts are generated simultaneously, interrupts are accepted in order which is dominated by hardware. However, there are no prioritized interrupt factors among non-maskable interrupts.

Table 1.5.1 Interrupt Sources

Interrupt source		Enable condition	Interrupt latch	Vector table address	Priority
Internal/ External	(Reset)	Non-Maskable	–	FFFFCH	High 0
Internal	INTSW (Software interrupt)	Pseudo non-maskable	–	FFFF8H	1
Internal	INTWDT (Watchdog timer interrupt)		IL ₂	FFFF4H	2
External	INT0 (External interrupt 0)	IMF·EF ₃ = 1, INT0EN = 1	IL ₃	FFFF0H	3
Internal	INTTC1 (16-bit TC1 interrupt)	IMF·EF ₄ = 1	IL ₄	FFFECH	4
External	INTKWU (Key-On-Wake-Up)	IMF·EF ₅ = 1	IL ₅	FFFE8H	5
Internal	INTTBT (Time base timer interrupt)	IMF·EF ₆ = 1	IL ₆	FFFE4H	6
External	INT2 (External interrupt 2)	IMF·EF ₇ = 1	IL ₇	FFFE0H	7
Internal	INTTC3 (8-bit TC3 interrupt)	IMF·EF ₈ = 1	IL ₈	FFFDCH	8
Internal	INTTSBI (SBI interrupt)	IMF·EF ₉ = 1	IL ₉	FFFD8H	9
Internal	INTTC4 (8-bit TC4 interrupt)	IMF·EF ₁₀ = 1	IL ₁₀	FFFD4H	10
External	INT3 (External interrupt 3)	IMF·EF ₁₁ = 1	IL ₁₁	FFFD0H	11
External	INT4 (External interrupt 4)	IMF·EF ₁₂ = 1	IL ₁₂	FFFCCH	12
Internal	INTADC (AD Converter interrupt)	IMF·EF ₁₃ = 1	IL ₁₃	FFFC8H	13
Internal	INTTC2 (16-bit TC2 interrupt)	IMF·EF ₁₄ = 1	IL ₁₄	FFFC4H	14
External	INT5 (External interrupt 5)	IMF·EF ₁₅ = 1	IL ₁₅	FFFC0H	15
Internal	INTOSD (OSD interrupt)	IMF·EF ₁₆ = 1	IL ₁₆	FFFBCH	16
	Reserved	IMF·EF ₁₇ = 1	IL ₁₇	FFFB8H	17
	Reserved	IMF·EF ₁₈ = 1	IL ₁₈	FFFB4H	18
	Reserved	IMF·EF ₁₉ = 1	IL ₁₉	FFFB0H	19
	Reserved	IMF·EF ₂₀ = 1	IL ₂₀	FFFACH	20
	Reserved	IMF·EF ₂₁ = 1	IL ₂₁	FFFA8H	21
	Reserved	IMF·EF ₂₂ = 1	IL ₂₂	FFFA4H	22
	Reserved	IMF·EF ₂₃ = 1	IL ₂₃	FFFA0H	23
	Reserved	IMF·EF ₂₄ = 1	IL ₂₄	FFF9CH	24
	Reserved	IMF·EF ₂₅ = 1	IL ₂₅	FFF98H	25
	Reserved	IMF·EF ₂₆ = 1	IL ₂₆	FFF94H	26
	Reserved	IMF·EF ₂₇ = 1	IL ₂₇	FFF90H	27
	Reserved	IMF·EF ₂₈ = 1	IL ₂₈	FFF8CH	28
	Reserved	IMF·EF ₂₉ = 1	IL ₂₉	FFF88H	29
	Reserved	IMF·EF ₃₀ = 1	IL ₃₀	FFF84H	30
	Reserved	IMF·EF ₃₁ = 1	IL ₃₁	FFF80H	Low 31

Note : Before you change each enable flag (EF) and/or each interrupt latch (IL), be sure to clear the interrupt master enable flag (IMF) to “0” (to disable interrupts).

1. After a DI instruction is executed.
2. When an interrupt is accepted, IMF is automatically cleared to “0”.

However, to enable nested interrupts change EF and/or IL before setting IMF to “1” (to enable interrupts).

If the individual enable flags (EF) and interrupts (IL) are set under conditions other than the above, proper operation cannot be guaranteed.

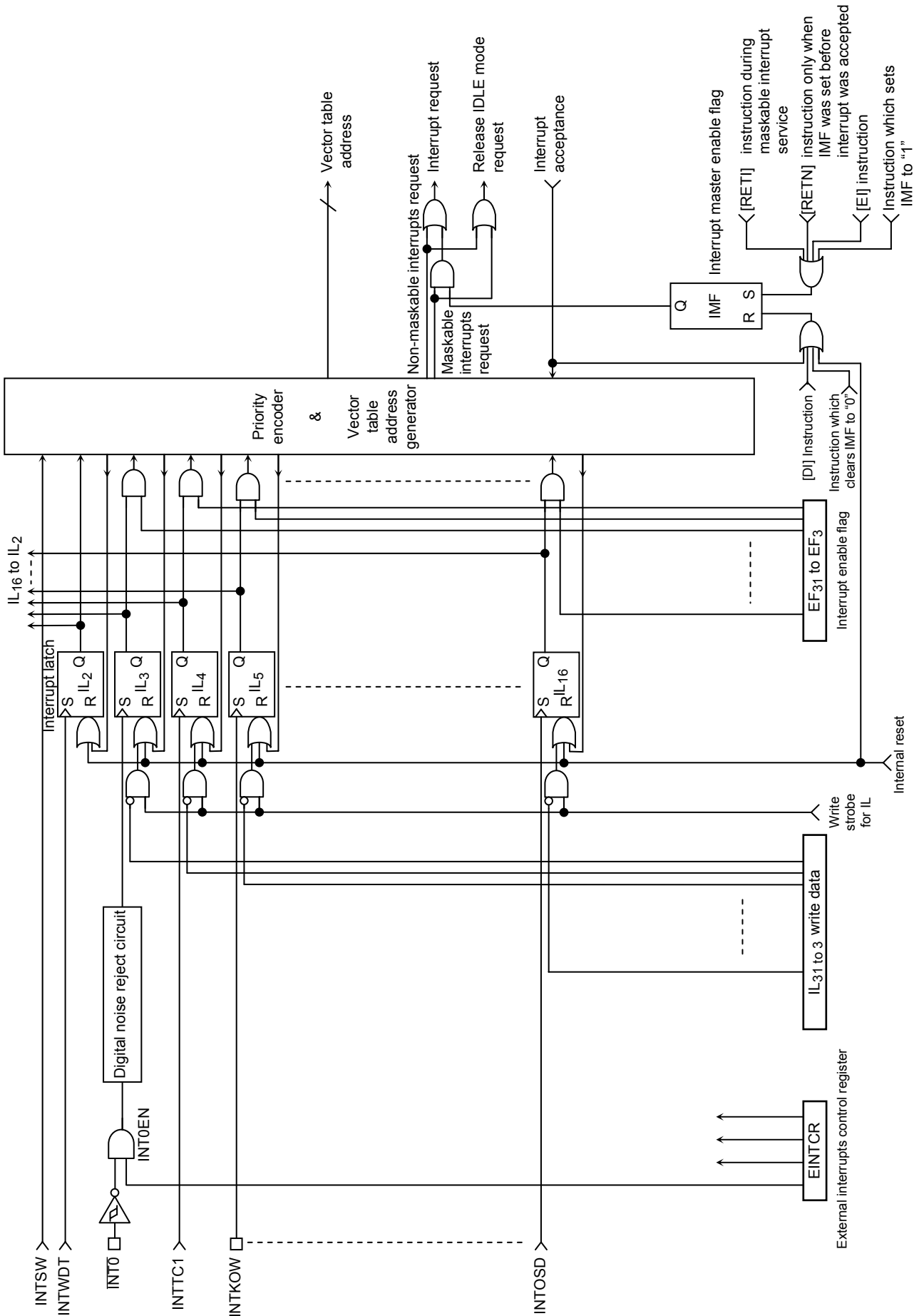


Figure 1.5.1 Interrupt Controller Block Diagram

Interrupt latches (IL) that hold the interrupt requests are provided for interrupt sources. Each interrupt vector is independent.

The interrupt latch is set to “1” when an interrupt request is generated, and requests the CPU to accept the interrupt. The acceptance of maskable interrupts can be selectively enabled and disabled by program using the interrupt master enable flag (IMF) and the individual interrupt enable flags (EF). When two or more interrupts are generated simultaneously, the interrupt is accepted in the highest priority order as determined by the hardware. Figure 1.5.1 shows the interrupt controller.

(1) Interrupt Latches (IL₃₁ to IL₂)

Interrupt latches are provided for each source, except for a software interrupt. The latch is set to “1” when an interrupt request is generated, and requests the CPU to accept the interrupt. The latch is cleared to “0” just after the interrupt is accepted. All interrupt latches are initialized to “0” during reset.

The interrupt latches are assigned to addresses 0003CH, 0003DH, 0002EH and 0002FH in the SFR. Except for IL₂, each latch can be cleared to “0” individually by an instruction; however, the read-modify-write instruction such as bit manipulation or operation instructions cannot be used. When interrupt occurred during order execution, the reason is because interrupt request is cleared. Thus, interrupt requests can be canceled and initialized by the program. Note that request the interrupt latches cannot be set to “1” by an instruction. For example, it may be that each latch is cleared even if an interrupt request is generated during instruction execution.

The contents of interrupt latches can be read out by an instruction. Therefore, testing interrupt request by software is possible.

Example 1: Clears interrupt latches

```
DI ; Disable interrupt
LDW (ILL), 1110100000111111B ; IL12, IL10 to IL6 ← 0
```

Example 2: Reads interrupt latches

```
LD WA, (ILL) ; W ← ILH, A ← ILL
```

Example 3: Tests an interrupt latch

```
TEST (ILL). 7 ; if IL7 = 1 then jump
JR F, SSET
```

(2) Interrupt Enable Register (EIR)

The interrupt enable register (EIR) enables and disables the acceptance of interrupts, except for the pseudo non-maskable interrupts (software and watchdog timer interrupts). Pseudo non-maskable interrupts are accepted regardless of the contents of the EIR; however, the pseudo non-maskable interrupt cannot be nested more than once at the same time.

The EIR consists of an interrupt master enable flag (IMF) and the individual interrupt enable flags (EF). These registers are assigned to addresses 0003AH, 0003BH, 0002CH and 0002DH in the SFR, and can be read and written by an instruction (including read-modify-write instruction such as bit manipulation instructions).

Note: Do not use the read-modify-write instruction for the EIRL (address 0003AH) during pseudo non-maskable interrupt service task. If the read-modify-write instruction is used, the IMF is not set to “1” after RETN.

1. Interrupt Master enable Flag (IMF)

The interrupt master enable flag (IMF) enables and disables the acceptance of all maskable interrupts. Clearing this flag to “0” disables the acceptance of all maskable interrupts. Setting to “1” enables the acceptance of interrupts.

When an interrupt is accepted, this flag is cleared to “0” to temporarily disable the acceptance of other maskable interrupts. After execution of the interrupt service program, this flag is set to “1” by the maskable interrupt return instruction [RETI] to again enable the acceptance of interrupts. If an interrupt request has already been occurred, interrupt service starts immediately after execution of the [RETI] instruction.

Pseudo non-maskable interrupts are returned by the [RETN] instruction. In this case, the IMF is set to “1” only when pseudo non-maskable interrupt service is started with interrupt acceptance enabled (IMF = 1). Note that the IMF remains “0” when cleared by the interrupt service program.

The IMF is assigned to bit 0 at address 0003AH in the SFR, and can be read and written by an instruction. The IMF is normally set and cleared by the [EI] and [DI] instructions, and the IMF is initialized to “0” during reset.

2. Individual interrupt Enable Flags (EF₁₆ to EF₃)

These flags enable and disable the acceptance of individual maskable interrupts, except for an external interrupt 0. Setting the corresponding bit of an individual interrupt enable flag to “1” enables acceptance of an interrupt, setting the bit to “0” disables acceptance.

Example 1: Sets EF for individual interrupt enable, and sets IMF to “1”.

```
DI          ; Disable interrupt
LD    (EIRE), 00000001B    ; EF16 ← 1
LDW   (EIRL), 1110100010100001B    EF15 to EF13, EF11, EF7, EF5, IMF ← 1
```

Example 2: Sets an individual interrupt enable flag to “1”.

```
SET    (EIRH). 4          ; EF12 ← 1
```

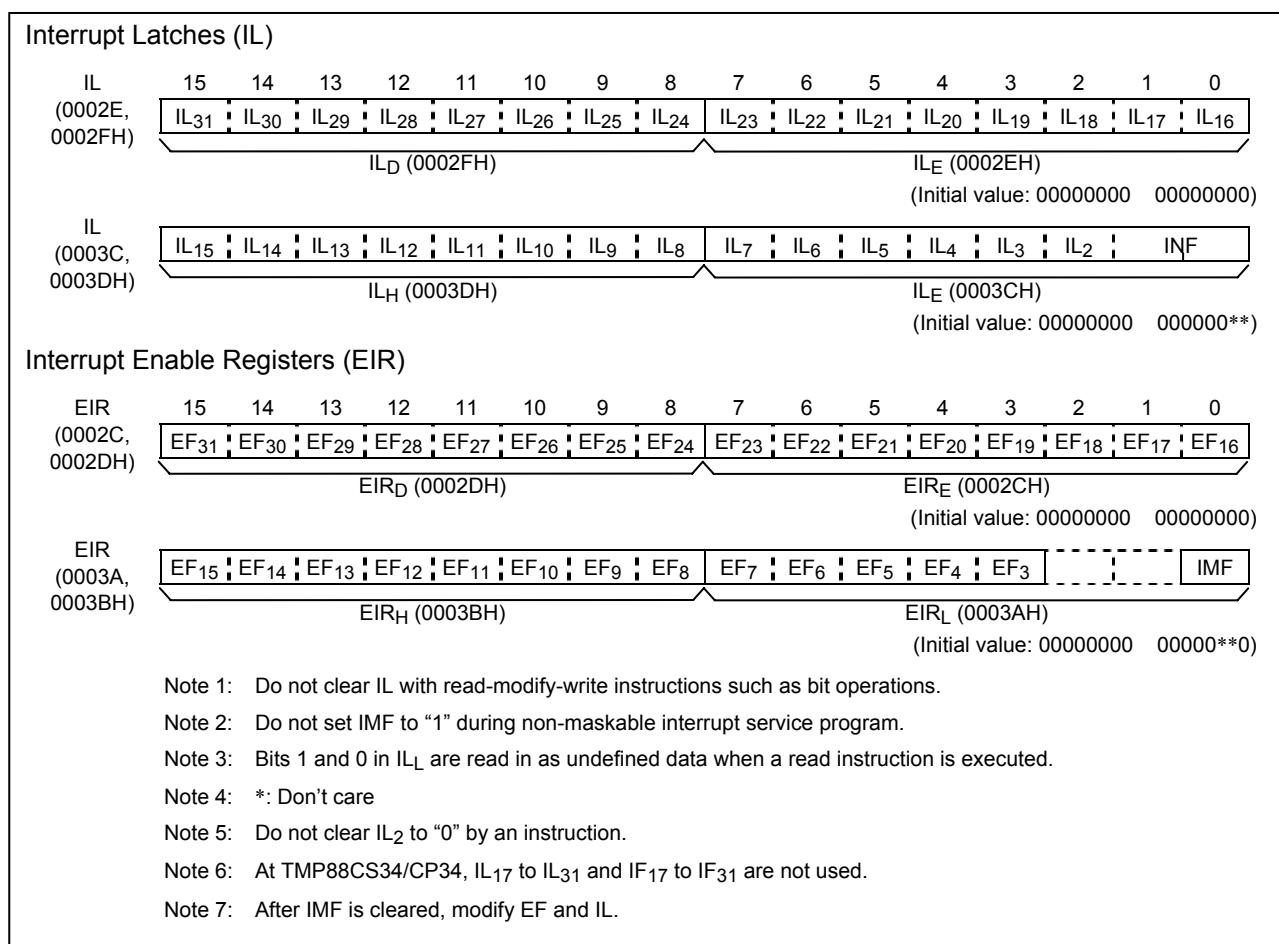



Figure 1.5.2 Interrupt Latches (IL) and Interrupt Enable Registers (EIR)

1.5.1 Interrupt Sequence

An interrupt request is held until the interrupt is accepted or the interrupt latch is cleared to "0" by a reset or an instruction. Interrupt acceptance sequence requires 12 machine cycles (3 μ s at $f_c = 16$ MHz in the NORMAL mode) after the completion of the current instruction execution. The interrupt service task terminates upon execution of an interrupt return instruction [RETI] (for maskable interrupts) or [RETN] (for pseudo non-maskable interrupts). Figure 1.5.3 shows the timing chart of interrupt acceptance processing.

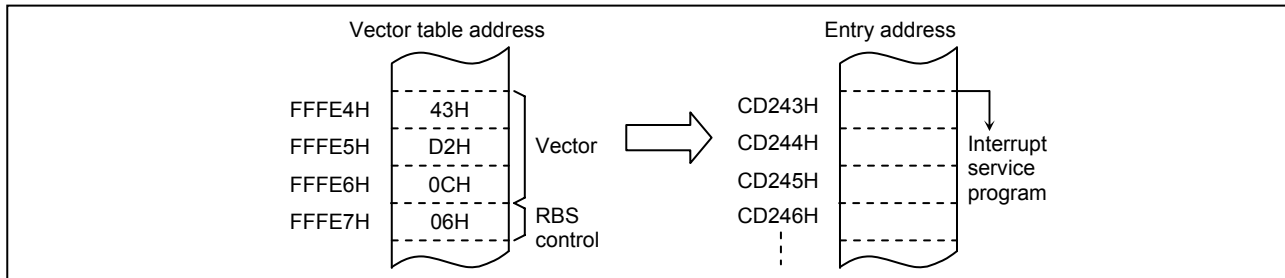
(1) Interrupt acceptance

Interrupt acceptance processing is as follows.

1. The interrupt master enable flag (IMF) is cleared to "0" to temporarily disable the acceptance of any following maskable interrupts. When a non-maskable interrupt is accepted, the acceptance of any following interrupts is temporarily disabled.
2. The interrupt latch (IL) for the interrupt source accepted is cleared to "0".
3. The contents of the program counter (PC) and the program status word (PSW) are saved (pushed) on the stack in sequence of PSW_H, PSW_L, PC_E, PC_H, PC_L. The stack pointer (SP) is decremented five times.
4. The entry address of the interrupt service program is read from the vector table, and set to the program counter.

5. The RBS control code is read from the vector table. The lower 4-bit of this code is added to the RBS.
6. The instruction stored at the entry address of the interrupt service program is executed.

Example: Correspondence between vector table address for INTTBT and the entry address of the interrupt service program.



A maskable interrupt is not accepted until the IMF is set to “1” even if the maskable interrupt higher than the level of current servicing interrupt is occurred.

When nested interrupt service is necessary, the IMF is set to “1” in the interrupt service program. In this case, acceptable interrupt sources are selectively enabled by the individual interrupt enable flags.

Note: Do not use the read-modify-write instruction for the EIRL (address 0003AH) during pseudo non-maskable interrupt service task.

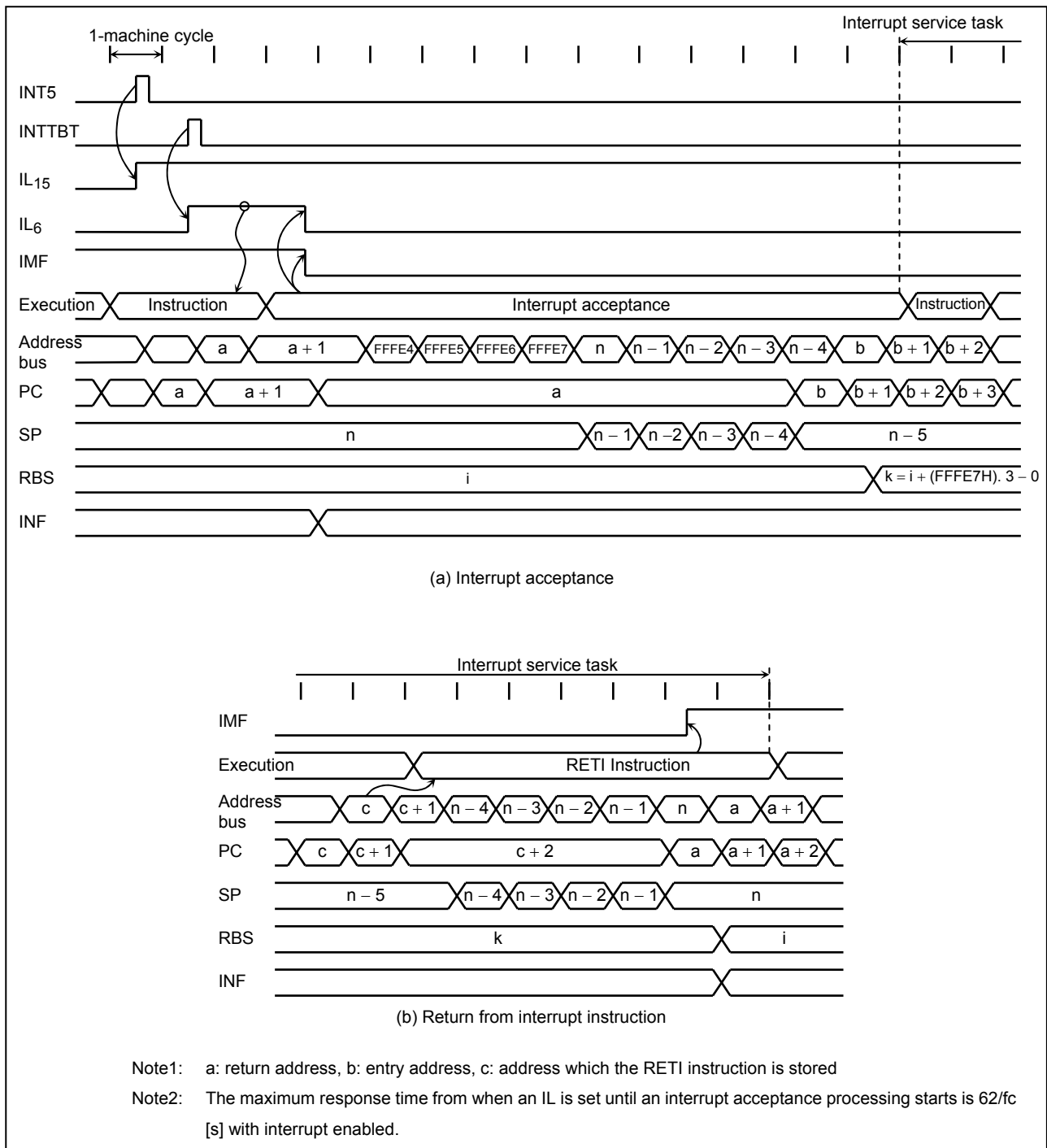


Figure 1.5.3 Timing Chart of Interrupt Acceptance and Interrupt Return Instruction

(2) Saving/Restoring general-purpose registers

During interrupt acceptance processing, the program counter (PC) and the program status word (PSW) are automatically saved on the stack, but not the accumulator and other registers. These registers are saved by the program if necessary. Also, when nesting multiple interrupt services, it is necessary to avoid using the same data memory area for saving registers.

The following method is used to save/restore the general-purpose registers.

1. General-purpose register save/restore by automatic register bank changeover

The general-purpose registers can be saved at high-speed by switching to a register bank that is not in use. Normally, the bank 0 is used for the main task and the banks 1 to 15 are assigned to interrupt service tasks. To increase the efficiency of data memory utilization, the same bank is assigned for interrupt sources which are not nested.

The switched bank is automatically restored by executing an interrupt return instruction [RETI] or [RETN]. Therefore, it is not necessary for a program to save the RBS.

Example: Register bank changeover

```

PINTxx:  interrupt processing
        RETI
        :
VINTxx:  DP      PINTxx
        DB      1      ; RBS ← RBS + 1
  
```

2. General-purpose register save/restore by register bank changeover

The general-purpose registers can be saved at high-speed by switching to a register bank that is not in use. Normally, the bank 0 is used for the main task and the banks 1 to 15 are assigned to interrupt service tasks.

Example: Register bank changeover

```

PINTxx:  LD RBS, n
        interrupt processing
        RETI      ; Restores bank and Returns
        :
VINTxx:  DP      PINTxx ; Interrupt service routine entry address
        DB      0
  
```

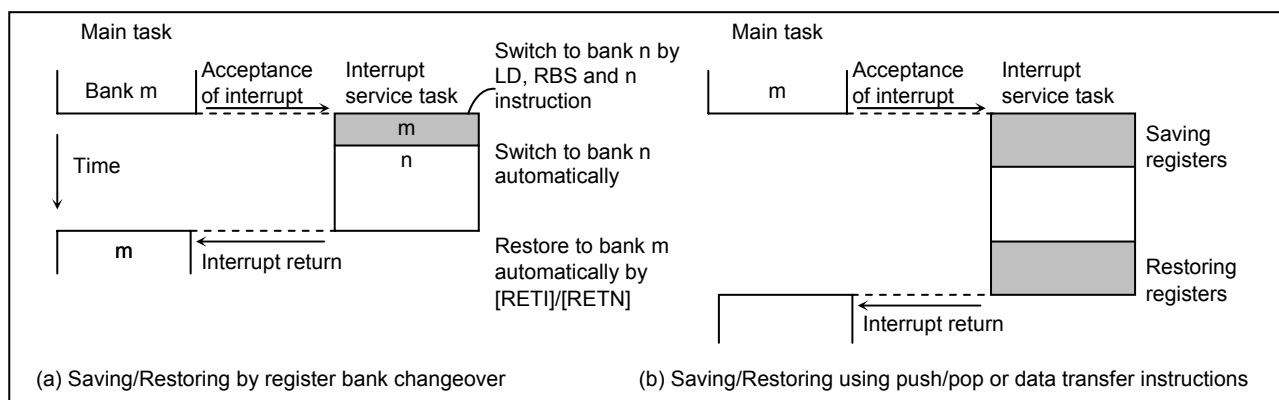


Figure 1.5.4 Saving/Restoring General-purpose Registers

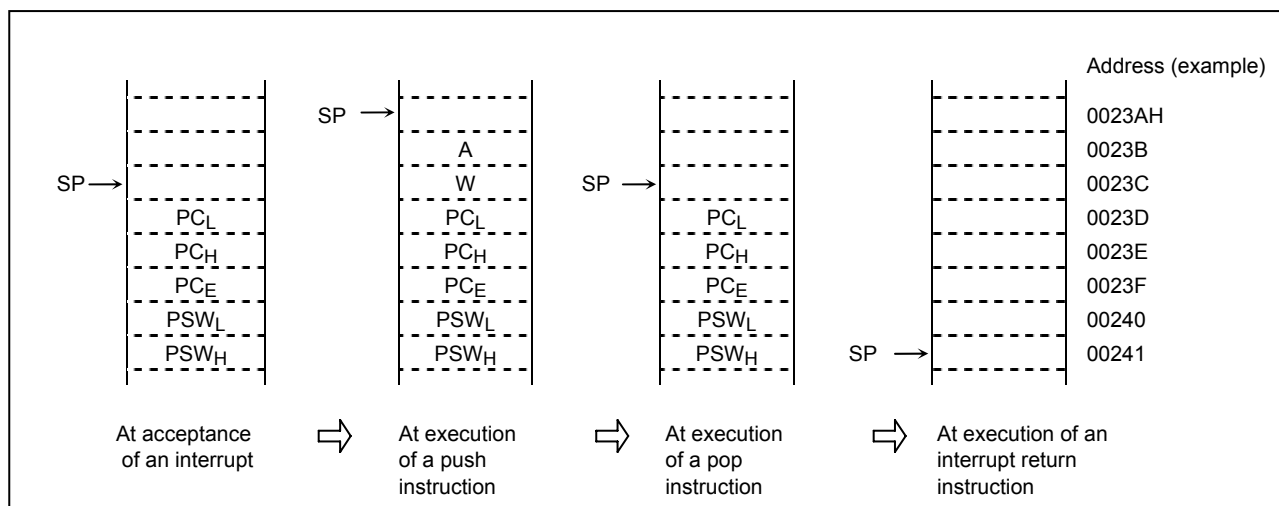
3. General-purpose registers save/restore using push and pop instructions

To save only a specific register, and when the same interrupt source occurs more than once, the general-purpose registers can be saved/restored using the push/pop instructions.

Example: Register save/restore using push and pop instructions

```

PINTxx:  PUSH  WA      ; Save WA register pair
         :  interrupt processing :
         :  POP   WA      ; Restore WA register pair
         :  RETI      ; Return
  
```



4. General-purpose registers save/restore using data transfer instructions

Data transfer instruction can be used to save only a specific general-purpose register during processing of single interrupt.

Example: Saving/restoring a register using data transfer instructions

```

PINTxx:  LD   (GSAVA), A ; Save A register
         :  interrupt processing :
         :  LD   A, (GSAVA) ; Restore A register
         :  RETI      ; Return
  
```

(3) Interrupt return

The interrupt return instructions [RETI]/[RETN] perform the following operations.

[RETI] Maskable interrupt return	[RETN] Non-maskable interrupt return
<ol style="list-style-type: none"> 1. The contents of the program counter and the program status word are restored from the stack. 2. The stack pointer is incremented 5 times. 3. The interrupt master enable flag is set to "1". 	<ol style="list-style-type: none"> 1. The contents of the program counter and program status word are restored from the stack. 2. The stack pointer is incremented 5 times. 3. The interrupt master enable flag is set to "1" only when a non-maskable interrupt is accepted in interrupt enable status. However, the interrupt master enable flag remains at "0" when so clear by an interrupt service program.
<ol style="list-style-type: none"> 4. The interrupt nesting counter is decremented, and the interrupt nesting flag is changed. 	<ol style="list-style-type: none"> 4. The interrupt nesting counter is decremented, and the interrupt nesting flag is changed.

Interrupt requests are sampled during the final cycle of the instruction being executed. Thus, the next interrupt can be accepted immediately after the interrupt return instruction is executed.

Note: When the interrupt processing time is longer than the interrupt request generation time, the interrupt service task is performed but not the main task.

1.5.2 Software Interrupt (INTSW)

Executing the [SWI] instruction generates a software interrupt and immediately starts interrupt processing (INTSW is highest prioritized interrupt). However, if processing of a non-maskable interrupt is already underway, executing the SWI instruction will not generate a software interrupt but will result in the same operation as the [NOP] instruction.

Use the [SWI] instruction only for detection of the address error or for debugging.

1. Address error detection

FFH is read if for some cause such as noise the CPU attempts to fetch an instruction from a non-existent memory address. Code FFH is the SWI instruction, so a software interrupt is generated and an address error is detected. The address error detection range can be further expanded by writing FFH to unused areas of the program memory. Address-trap reset is generated in case that an instruction is fetched from RAM, SFR or DBR areas.

2. Debugging

Debugging efficiency can be increased by placing the SWI instruction at the software break point setting address.

1.5.3 External Interrupts

The TMP88CS34/CP34 each have five external interrupt inputs ($\overline{\text{INT0}}$, INT2, INT3, INT4, and $\overline{\text{INT5}}$). Three of these are equipped with digital noise rejection circuits (pulse inputs of less than a certain time are eliminated as noise). Edge selection is also possible with INT2, INT3 and INT4.

The $\overline{\text{INT0}}$ /P50 pin can be configured as either an external interrupt input pin or an input/output port, and is configured as an input port during reset.

Edge selection, noise rejection control except INT3 pin input and $\overline{\text{INT0}}$ /P50 pin function selection are performed by the external interrupt control register (EINTCR). Edge selecting and noise rejection control for INT3 pin input are performed by the Remote control signal preprocessor control registers. (refer to the section of the Remote control signal preprocessor.) When INT0EN = 0, the IL3 will not be set even if the falling edge of $\overline{\text{INT0}}$ pin input is detected.

Table 1.5.1 External Interrupts

Source	Pin	Secondary function pin	Enable conditions	Edge	Digital noise rejection
INT0	$\overline{\text{INT0}}$	P50/TC2	$\text{IMF} = 1, \text{INT0EN} = 1, \text{EF}_3 = 1$	Falling edge	Any pulse shorter than $2/f_c$ [s] is regarded as noise and removed. Pulses not shorter than $7/f_c$ [s] are definitely regarded as signals.
INT2	INT2	P53/TC1/ $\overline{\text{SCK1}}$ /AIN0/ $\overline{\text{KWU0}}$	$\text{IMF} \cdot \text{EF}_7 = 1$	Falling edge or Rising edge	Pulses of less than $7/f_c$ [s] are eliminated as noise. Pulses equal to or more than $25/f_c$ [s] are regarded as signals.
INT3	INT3	P30/RXIN	$\text{IMF} \cdot \text{EF}_{11} = 1$	Falling edge, Rising edge or Falling/Rising edge	Refer to the section of the Remote control preprocessor
INT4	INT4	P31/TC3	$\text{IMF} \cdot \text{EF}_{12} = 1$	Falling edge or Rising edge	Pulses of less than $7/f_c$ [s] are eliminated as noise. Pulses of $25/f_c$ [s] or more are considered to be signals.
INT5	$\overline{\text{INT5}}$	P20/ $\overline{\text{STOP}}$	$\text{IMF} \cdot \text{EF}_{15} = 1$	Falling edge	Any pulse shorter than $2/f_c$ [s] is regarded as noise and removed. Pulse not shorter than $7/f_c$ [s] are definitely regarded as signals.

Note 1: The noise rejection function is also affected for timer/counter input (TC1 pin).

Note 2: If a noiseless signal is input to the external interrupt pin in the NORMAL or IDLE mode, the maximum time from the edge of input signal until the IL is set is as follows:

(1) INT2, INT4 pin $31/f_c$ [s]

(2) INT3 pin Refer to the section of the Remote control preprocessor.

Note 3: If a dual-function pin is used as an output port, changing data or switching between input and output generates a pseudo interrupt request signal. To ignore this signal, it is necessary to reset the interrupt enable flag.

Note 4: If $\text{INT0EN} = "0"$, detecting the falling edge of the $\overline{\text{INT0}}$ pin input does not set the interrupt latch IL3.

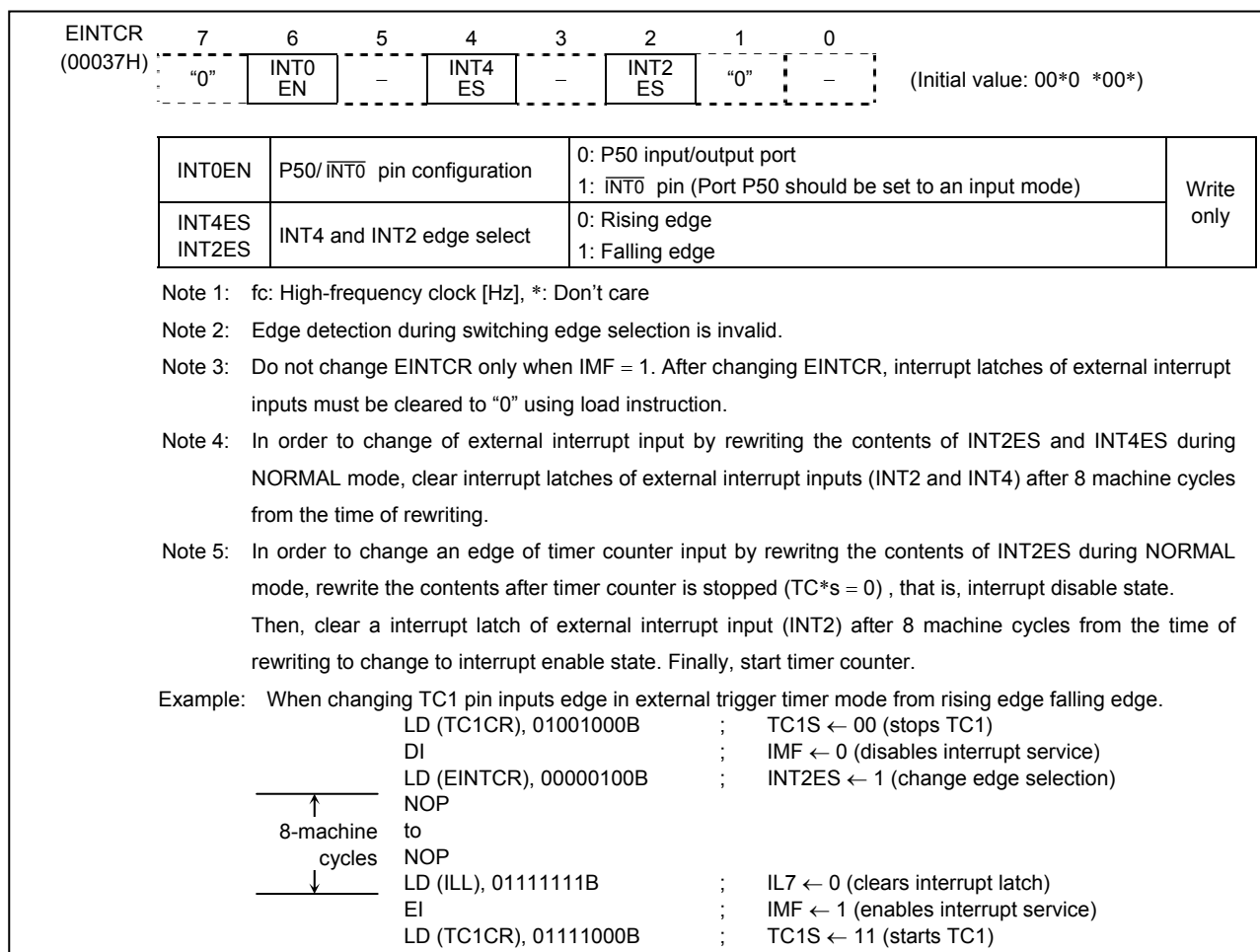


Figure 1.5.5 External Interrupt Control Register

1.6 Reset Circuit

The TMP88CS34/CP34 has four types of reset generation procedures: an external reset input, an address trap reset output, a watchdog timer reset output and a system clock reset output. Table 1.6.1 shows on-chip hardware initialization by reset action.

The malfunction reset output circuit such as watchdog timer reset, address trap reset and system clock reset is not initialized when power is turned on. The $\overline{\text{RESET}}$ pin can output level “L” at the maximum $24/f_c$ [s] ($1.5 \mu\text{s}$ at 16 MHz) when power is turned on.

Table 1.6.1 Initializing Internal Status by Reset Action

On-chip hardware	Initial value	On-chip hardware	Initial value
Program counter (PC)	(FFFFEH to FFFFCH)	Prescaler and Divider of timing generator	0
Stack pointer (SP)	not initialized		
General-purpose registers (W, A, B, C, D, E, H, L)	not initialized		
Register bank selector (RBS)	0	Watchdog timer	Enable
Jump status flag (JF)	1		
Zero flag (ZF)	Not initialized	Output latches of I/O ports	Refer to I/O port circuitry
Carry flag (CF)	Not initialized		
Half carry flag (HF)	Not initialized		
Sign flag (SF)	Not initialized		
Overflow flag (VF)	Not initialized		
Interrupt master enable flag (IMF)	0		
Interrupt individual enable flags (EF)	0	Control registers	Refer to each of control register
Interrupt latches (IL)	0		
–	–	RAM	Not initialized

1.6.1 External Reset Input

The $\overline{\text{RESET}}$ pin contains a Schmitt trigger (hysteresis) with an internal pull-up resistor.

When the $\overline{\text{RESET}}$ pin is held at “L” level for at least 3 machine cycles ($12/f_c$ [s]) with the power supply voltage within the operating voltage range and oscillation stable, a reset is applied and the internal state is initialized.

When the $\overline{\text{RESET}}$ pin input goes high, the reset operation is released and the program execution starts at the vector address stored at addresses FFFFCH to FFFFEH.

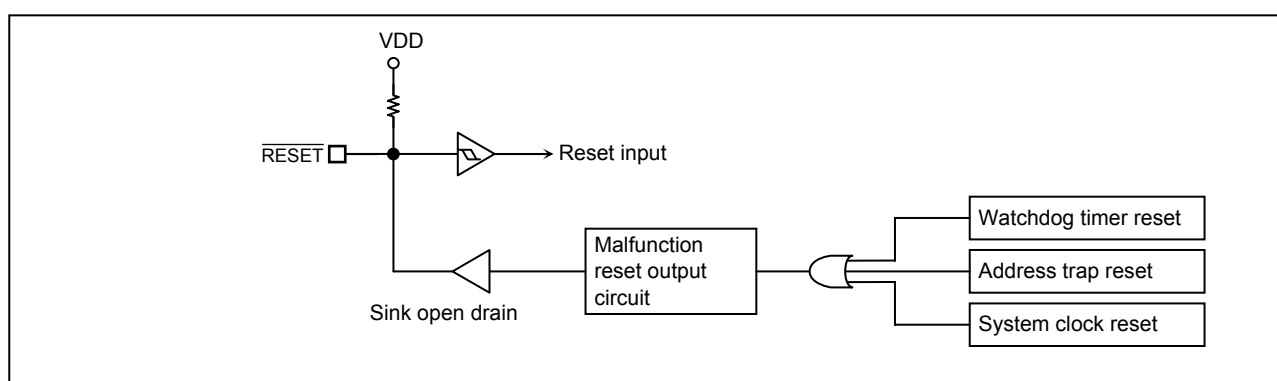


Figure 1.6.1 Reset Circuit

1.6.2 Address-Trap-Reset

If the CPU should start looping for some cause such as noise and an attempt be made to fetch an instruction from the on-chip RAM, DBR or the SFR area, address-trap-reset will be generated. Then, the $\overline{\text{RESET}}$ pin output will go low. The reset time is about $8/f_c$ to $24/f_c$ [s] (0.5 to 1.5 μs at 16 MHz).

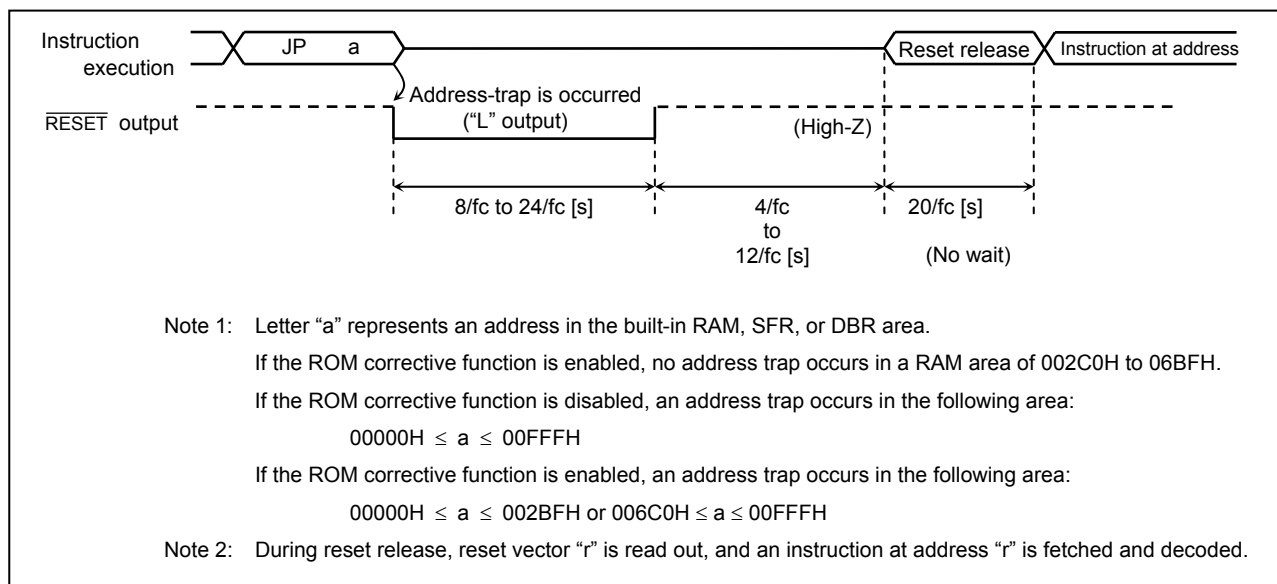


Figure 1.6.2 Address-Trap-Reset

1.6.3 Watchdog Timer Reset

Refer to Section "2.4 Watchdog Timer".

1.6.4 System-Clock-Reset

Clearing bits 7 in SYSCR2 to "0", system clock stops and causes the microcomputer to deadlock. This can be prevented by automatically generating a reset signal whenever bits 7, 6 and 5 in SYSCR2 = 000 is detected to continue the oscillation. The $\overline{\text{RESET}}$ pin output goes low from high-impedance. The reset time is about $8/f_c$ to $24/f_c$ [s] (0.5 to 1.5 μs at 16 MHz).

1.7 ROM Corrective Function

The ROM corrective function can patch the part (s) of on-chip ROM with some bugs.

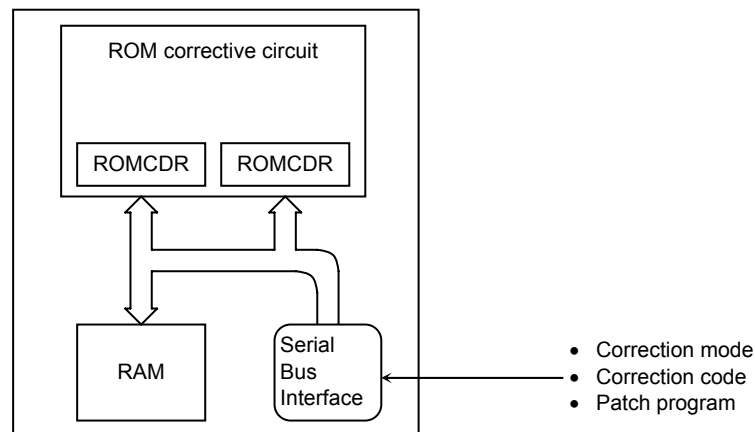
The ROM corrective function have two modes. One is to replaced the instruction on a certain address in the ROM with the jump instruction to branch into the RAM area where the patched codes (Program Jump Mode). The other is to replace a byte or a word (2 or 3 bytes) length data in the ROM with the patched data (Data Replacement Mode). Four independent location can be patched.

Note 1: When use ROM corrective circuit, it is necessary to contain a program which operates to load patched program and/or replacement data from external memory into an internal data RAM in an initial routine.

Note 2: The address of an instruction for IDLE mode cannot be specified as start address of corrective area.

Note 3: The BM88CS34N0A-M15 does not support the ROM corrective circuit. Use the TMP88PS34 to debug a program of this circuit.

Example:



1.7.1 Configuration

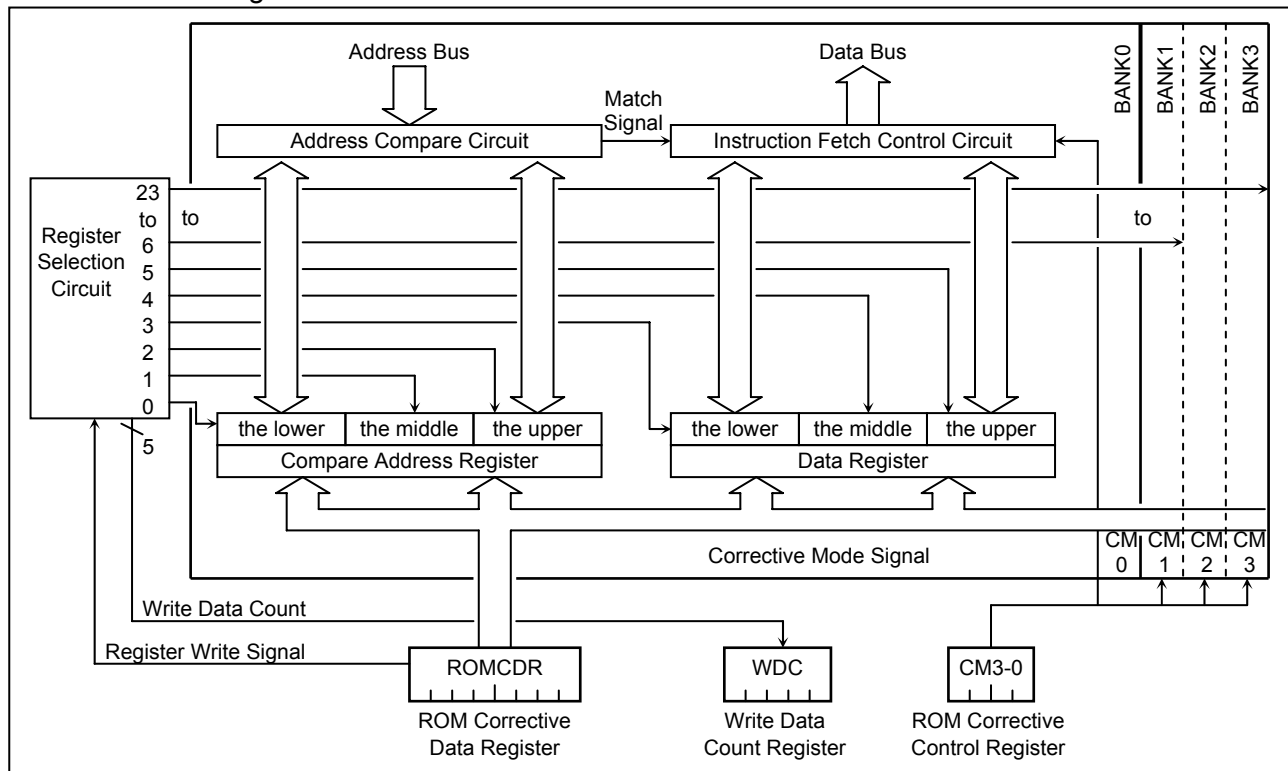


Figure 1.7.1 ROM Corrective Circuit

1.7.2 Control

The ROM corrective function is controlled by ROM corrective control register (ROMCCR) and ROM corrective data register (ROMCDR).

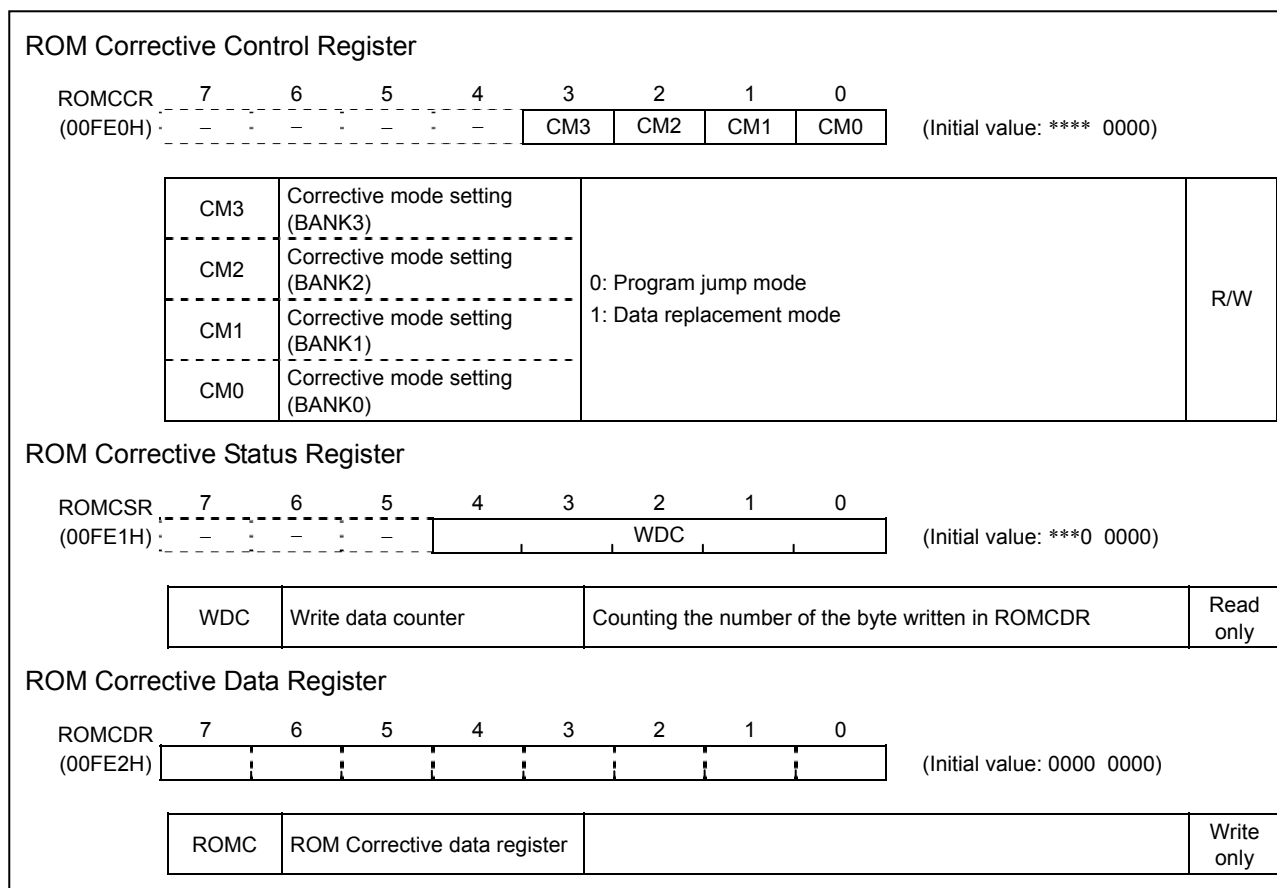


Figure 1.7.2 ROM Corrective Control Register, Status Register and ROM Corrective Data Register

(1) Enable and disable

The ROM corrective function is disabled after releasing reset. It is enabled after setting the data for one bank into ROMCDR. And the address-trap-reset is not generated when fetching an instruction from the RAM area except the address 02C0H to 06BFH.

After the ROM corrective function is enabled, it is necessary to reset the micro controller in order to disable it.

(2) Data replacement mode

The ROM corrective function has the program jump mode and the data replacement mode.

By setting CM_x (x: 0 to 3) in ROMCCR, the data replacement mode is selected.

(3) The ROM corrective data register writing

The ROM corrective data register has four banks corresponding to four independent locations to patch. The write data counter (WDC) points each bank set. (Figure 1.7.2)

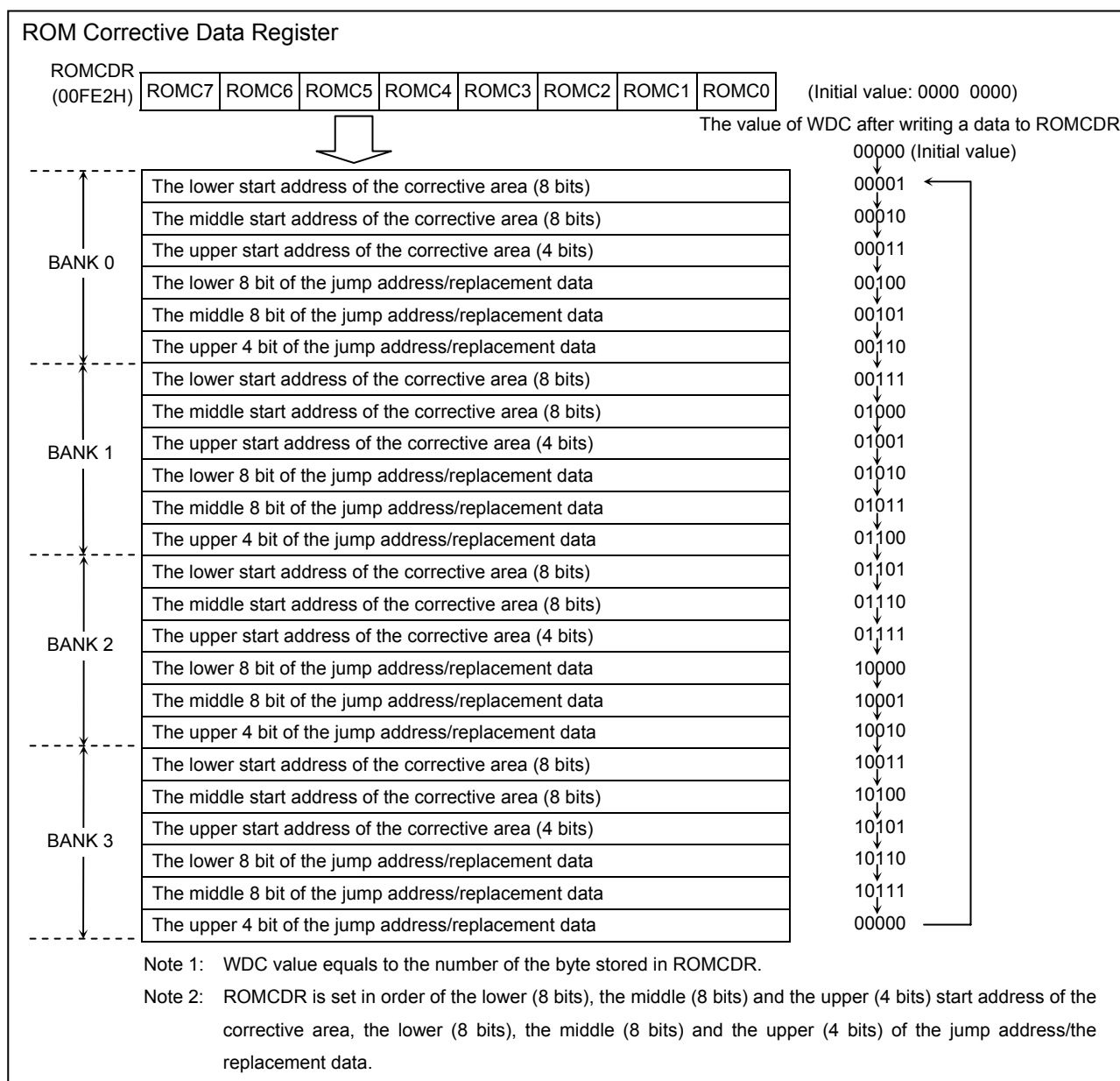


Figure 1.7.3 Banks and WDC Value of the Program Corrective Data Register

Whenever ROMCDR is written, WDC is incremented to indicate what data is written via ROMCDR. During reset, WDC is initialized to "0".

- (1) The lower start address of the corrective area (8 bits)
- (2) The middle start address of the corrective area (8 bits)
- (3) The upper start address of the corrective area (4 bits)
- (4) The lower jump address/replacement data (8 bits)
- (5) The middle jump address/replacement data (8 bits)
- (6) The upper jump address (4 bits)/replacement data

Note 1: Corrective addresses must have over five addresses each other.

Note 2: The address of an instruction for IDLE mode cannot be specified as start address of corrective area.

1.7.3 Functions

The ROM corrective function can correct maximum four ROM areas with their corresponding four banks of ROM corrective registers. Either program jump mode or data replacement mode is selected for each bank by CM0 to CM3 respectively.

(1) Program jump mode

In the program jump mode, the system executes a jump instruction when the program execution reaches the instruction at the corrective ROM address, skips from the instruction which would have been executed, and executes an instruction at a preset jump address.

Clearing ROMCCR CM_x (x: 0 to 3) to "0" puts the system in the program jump mode. Use ROMCDR to set the corrective ROM address and jump address.

When the start address of an erroneous program is a corrective ROM address, and that of the patch program is a jump address, the bug in the erroneous program can be fixed. Note that the patch program should end with a jump instruction, which causes a return to the built-in ROM.

Note: For program jump mode, the address to be corrected must be the start address of the instruction.

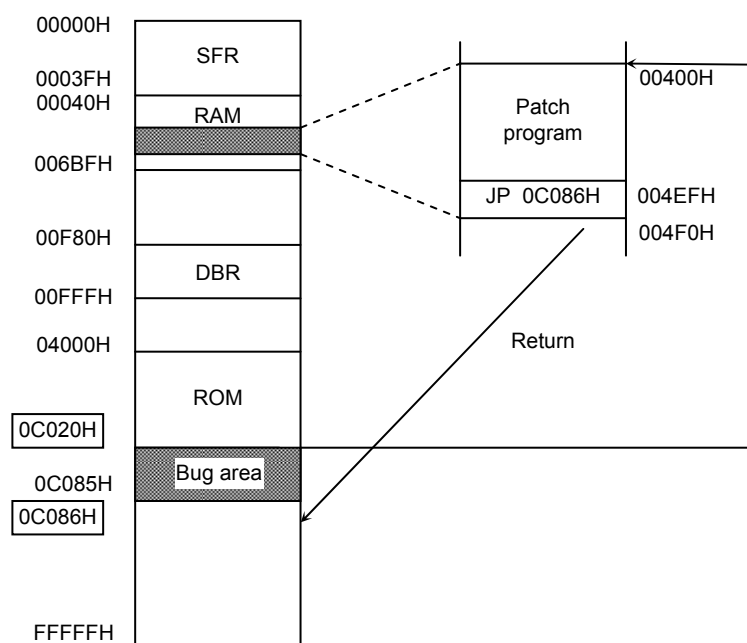
Example 1: Setting the Program Correction Circuit with the Initial Routine

Using the initial routine program, which is executed right after reset, set the program correction circuit's register and stores the patch program into the built-in RAM as follows.

1. Read the flag, which indicates whether to use the program correction circuit, from the external memory.
2. If that circuit is not used, perform normal initial processing.
3. If it is used, clear CM_x to 0 to establish the program jump mode.
4. Read the corrective ROM address and jump address from the external memory.
5. Set the corrective ROM address and jump address, which were read in step 4., in ROMCDR.
6. Read the number of bytes for the patch program from the external memory.
7. Read the program with a number of bytes, equal to the byte count read in step 6., from the external memory, and store that program into the built-in RAM.
8. Repeat steps 4. through 7. as many times as there are required banks.

Example 2: There is bugs on the locations from 0C020H to 0C085H

The corrective address, the jump vector, the program patch codes and other information to patch the ROM with the bugs must be read out from any of memory storage that holds them during initial program routine. CM_n = 0 specifies the program jump mode. Subsequently, the patch program codes are loaded into RAM (00400H to 004EFH). The start address (0C020H) of the ROM necessary to patch is written to the corrective ROM address registers, and the start address (00400H) of the RAM area to patch is loaded onto the jump address registers. When the instruction at 0C020H is fetched, the instruction to jump into 00400H is unconditionally executed instead of the instruction at 0C020H, and the subsequent patch program codes are executed. The jump instruction at the end of the patch program codes returns to the ROM at 0C086H.



Note: Corrective address must be assigned to 1st byte of instruction codes on the program jump mode.

(2) Data replacement mode

In the data replacement mode, the system replaces reference data stored in the ROM area with the new instead of correcting the data reference instruction when that reference data is changed.

The program jump mode reduces the complexity of correcting the processing routine. However, when this mode is used, if there is a need to replace only the fixed data in ROM, the instruction to reference this ROM data should be corrected. Thus, a large amount of ROM is required for the patch program. To avoid this, the system has the data replacement mode. With this mode, three consecutive bytes of data can be replaced for each bank. (For an instruction which accesses only one byte, only the first byte can be replaced. For an instruction which accesses only two bytes, the two consecutive bytes can be replaced.) Setting ROMCCR CM_x (x: 0 to 3) to "1" puts the system in the data replacement mode. Specify the start address of ROM data to be replaced as the corrective ROM address. Then, specify the new three-byte data as the patch data.

Note: For data replacement mode, the corrective address should be the address of fixed data (including a vector). (The operation code and operand cannot be changed.)

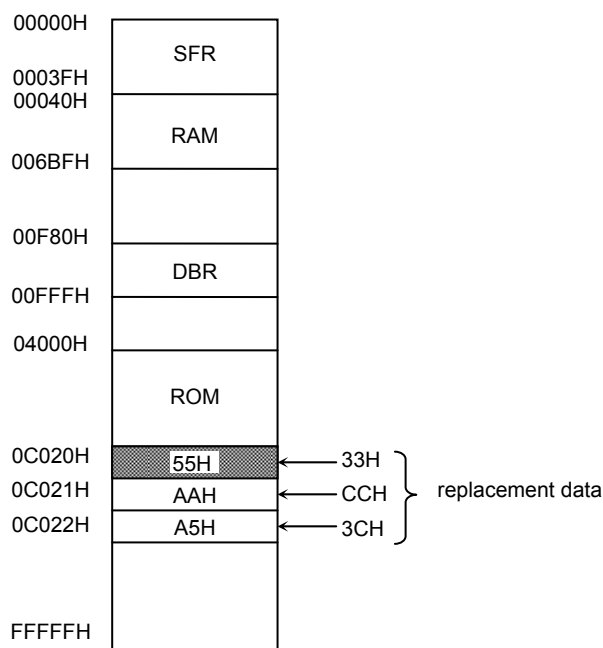
Example 1: Setting the Program Correction Circuit with the Initial Routine

Using the initial routine program, which is executed right after reset, set the program correction circuit's register as follows.

1. Read the flag, which indicates whether to use the program correction circuit, from the external memory.
2. If that circuit is not used, perform normal initial processing.
3. If it is used, set CM_x to "1" to establish the data replacement mode.
4. Read the address of the data to be replaced and the patch data from the external memory.
5. Set the address and patch data, which were read in step 4., in ROMCDR.
6. Repeat steps 4. and 5. as many times as there are required banks.

Example 2: Replacing data 55H at 0C020H with 33H

Using the initial routine program, which is executed right after reset, read the start address of the data to be replaced and the patch data from the external memory. Set CMx (x: 0 to 3) to "1" to change the correction mode to the data replacement mode. Specify the start address (0C020H) of the data to be replaced as the corrective ROM address. Then, specify the new three-byte data (33H for 0C020H, CCH for 0C021H, and C3H for 0C022H) as the patch data.



1. At HL = 0C020H, Executing LD A, (HL) loads 33H in A. (Data replacement)
2. At HL = 0C021H, Executing LD A, (HL) loads AAH in A. (No data replacement)
3. At HL = 0C020H, Executing LD WA, (HL) loads CC33H in WA. (Data replacement)
4. At HL = 0C020H, Executing LD IX, (HL) loads CCC33H in IX. (Data replacement)

Note 1: Corrective address must be assigned to constant data area on the data replacement mode. (Ope-code and Ope-rand cannot be replaced by ROM correction circuit.)

Note 2: Instructions which includes "(HL +)" or "(– HL)" operation cannot be replaced by ROM corrective circuit on the data replacement mode.

2. On-Chip Peripheral Functions

2.1 Special Function Registers (SFR) and Data Buffer Registers (DBR)

The TLCS-870/X series uses the memory mapped I/O system and all peripheral control and data transfers are performed through the special function registers (SFR) and data buffer registers (DBR).

The SFR are mapped to addresses 00000H to 0003FH, and DBR are mapped to address 00F80H to 00FFFFH.

Figure 2.1.1 shows the list of the TMP88CS34/CP34 SFRs and DBRs.

Address	Read	Write	Address	Read	Write
00000H	Reserved	Reserved	00020H	SBISRA (SBI status A)	SBICRA (SBI control register A)
00001	Reserved	Reserved	00021	SBIDBR (SBI Data buffer)	SBIDBR (SBI Data buffer)
00002	P2 port	P2 port	00022	—	I ² CAR (I ² C Bus address)
00003	P3 port	P3 port	00023	SBISRB (SBI status B)	SBICRB (SBI control register B)
00004	P4 port	P4 port	00024	—	ORDMAL (OSD control)
00005	P5 port	P5 port	00025	—	ORDMAH (OSD control)
00006	P6 port	P6 port	00026	RCSR (TC3 status)	RCCR (TC3 control)
00007	P7 port	P7 port	00027	—	PMPXCR (Port control)
00008	—	P5CR1 (P5 port I/O control1)	00028	—	PWMCR1A (PWM control1A)
00009	—	P7CR (P7 port I/O control)	00029	—	PWMCR1B (PWM control1B)
0000A	Reserved	Reserved	0002A	—	PWMDBR1 (PWMDBR1)
0000B	Reserved	Reserved	0002B	—	P3CR1 (P3 I/O control)
0000C	—	P4CR (P4 port I/O control)	0002C	EIRE	— (Interrupt enable register)
0000D	—	P6CR (P6 port I/O control)	0002D	EIRD	— (Interrupt enable register)
0000E	ADCCRA (AD converter control A)	ADCCRA (AD converter control A)	0002E	ILE	— (Interrupt latch)
0000F	ADCCRB (AD converter control B)	ADCCRB (AD converter control B)	0002F	ILD	— (Interrupt latch)
00010	TC1DRAL	— (Timer register 1A)	00030	CGCR (Divider control)	—
00011	TC1DRAH	—	00031	ADCDR1 (AD conversion result)	—
00012	TC1DRBL	— (Timer register 1B)	00032	ADCDR2 (AD conversion result)	—
00013	TC1DRBH	—	00033	Reserved	—
00014	—	TC1CR (TC1 control)	00034	—	WDTCR1 (Watch-dog timer control)
00015	—	TC2CR (TC2 control)	00035	—	WDTCR2 (Watch-dog timer control)
00016	—	TC2DRL (Timer register 2)	00036	—	TBTTCR (TBT/TG control)
00017	—	TC2DRH	00037	—	EINTCR (External interrupt control)
00018	—	TC3DRA (Timer register 3A)	00038	SYSCR1	— (System control)
00019	TC3DRB (Timer register 3B)	—	00039	SYSCR2	— (System control)
0001A	—	TC3CR (TC3 control)	0003A	EIRL	— (Interrupt enable register)
0001B	—	TC4DR (Timer register 4)	0003B	EIRH	— (Interrupt enable register)
0001C	—	TC4CR (TC4 control)	0003C	ILL	— (Interrupt latch)
0001D	—	ORDSN (OSD control)	0003D	ILH	— (Interrupt latch)
0001E	—	ORCRAL (OSD control)	0003E	PSWL	— (Program status word)
0001F	—	ORCRAH (OSD control)	0003F	PSWH	— (Program status word)

(a) Special function registers

Note 1: Do not access reserved areas by the program.

Note 2: —: Cannot be accessed.

Note 3: Write-only registers and interrupt latches cannot use the read-modify-write instructions (bit manipulation instructions such as SET, CLR, etc. and logical operation instructions such as AND, OR, etc.).

Note 4: When defining address 0003FH with assembler symbols, use GRBS.

Address 0003EH must be GPSW/GFLAG.

Figure 2.1.1 (a) SFR

Address	Read	Write
00F80H	ORDON (OSD Control)	
81H	-	OSD Control Register
	-	OSD Control Register
B9H	ORIRC (OSD Display Counter)	ORIRC (OSD Interrupt Control)
	-	OSD Control Register
CEH	-	OSD Control Register
CFH	Reserved	
D0H	IDLEINV (Key-on Wake-up Status)	IDLECR (Key-on Wake-up Control)
D1H	Reserved	
	Reserved	
E0H	ROMCCR (ROM Corrective Control)	
E1H	ROMCC (Data Register Count)	-
E2H	-	ROMCDR (ROM Corrective Data)
E3H	Reserved	
E4H	-	JECR (Jitter Elimination Control)
E5H	JESR (Jitter Elimination Status)	-
E6H	Reserved	
E7H	Reserved	
E8H	RXCR1 (Remote Control Receive Control)	
E9H	RXCR2 (Remote Control Receive Control)	
EAH	RXCTR (Remote Control Receive Counter)	-
EBH	RXDBR (Remote Control Receive Data)	-
ECH	RXSR (Remote Control Receive Status)	-
EDH	Reserved	
EEH	-	FC8CR (Frequency Division Circuit Control)
EFH	Reserved	
F0H	SCCRA (Baud Rate Control A)	-
F1H	SCCRB (Baud Rate Control B)	SCSR (Baud Rate Status)
F2H	Reserved	
	Reserved	
FEH	-	PSELCR (Port3 and 5 Output Status Control)
FFH	-	DGINE (Input Control)

(b) Data buffer register

Note 1: Do not access reserved areas by the program.

Note 2: -: Cannot be accessed.

Note 3: Write-only registers cannot use the read-modify-write instructions (bit manipulation instructions such as SET, CLR, etc. and logical operation instructions such as AND, OR, etc.).

Figure 2.1.1 (b) DBR

2.2 I/O Ports

The TMP88CS34/CP34 has 6 parallel input/output ports (33 pins) as follows:

	Primary Function	Secondary Functions
Port P2	1-bit I/O port	External interrupt input, and STOP mode release signal input
Port P3	6-bit I/O port	External interrupt input, remote control signal input, data slicer analog input, timer/counter input, serial bus interface input/output
Port P4	8-bit I/O port	Pulse width modulation output
Port P5	8-bit I/O port	External interrupt input, timer/counter input, key-on wake-up input, serial bus interface input/output, analog input and I output from OSD circuitry.
Port P6	8-bit I/O port	R, G, B and Y/BL output from OSD circuitry, R.G.B and Y/BL input, analog input, and key-on wake-up input
Port P7	2-bit I/O port	Horizontal synchronous pulse input and vertical synchronous pulse input to OSD circuitry

Each output port contains a latch, which holds the output data. All input ports do not have latches, so the external input data should either be held externally until read or reading should be performed several times before processing. Figure 2.2.1 shows input/output timing examples.

External data is read from an I/O port in the S1 state of the read cycle during execution of the read instruction. This timing can not be recognized from outside, so that transient input such as chattering must be processed by the program. Output data changes in the S2 state of the write cycle during execution of the instruction which writes to an I/O port.

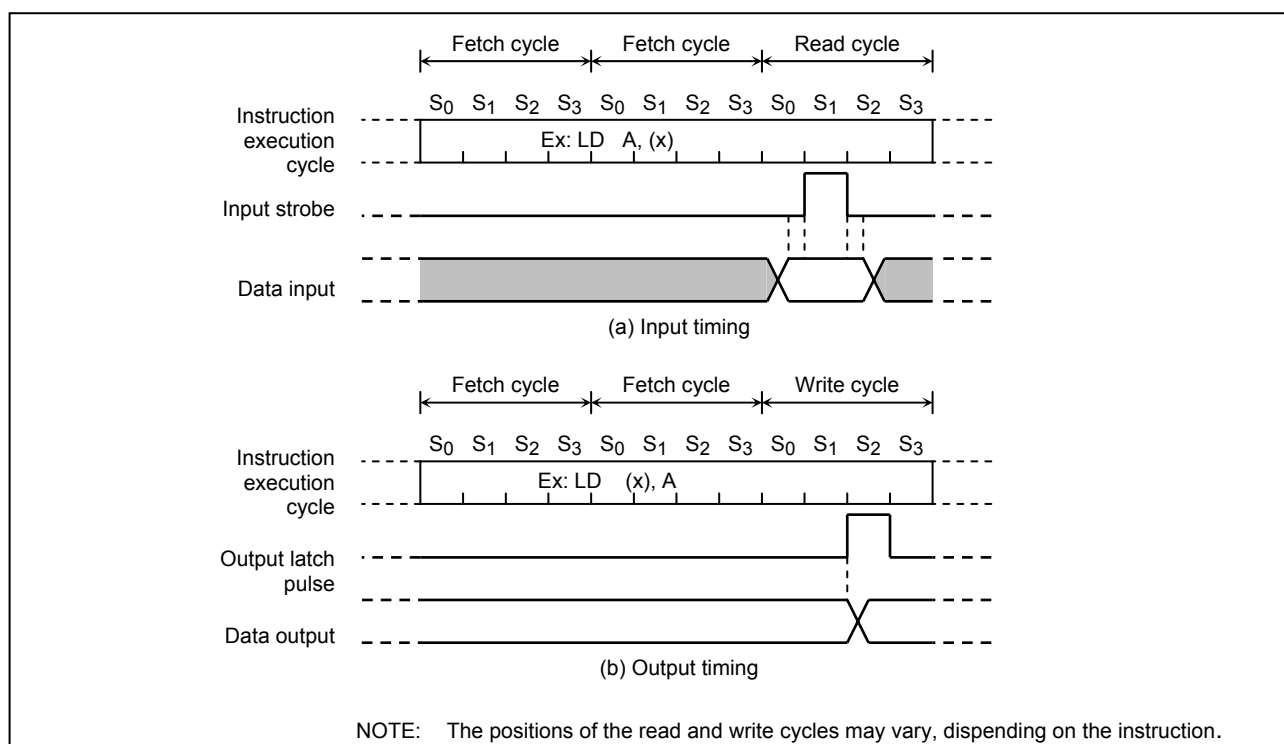


Figure 2.2.1 Input/Output Timing (Example)

When reading an I/O port except programmable I/O ports, whether the pin input data or the output latch contents are read depends on the instructions, as shown below:

- (1) Instructions that read the output latch contents
 1. XCH r, (src)
 2. SET/CLR/CPL (src).b
 3. SET/CLR/CPL (pp).g
 4. LD (src).b, CF
 5. LD (pp).b, CF
 6. ADD/ADDC/SUB/SUBB/AND/OR/XOR (src), n
 7. (src) side of ADD/ADDC/SUB/SUBB/AND/OR/XOR (src), (HL)
- (2) Instructions that read the pin input data
 1. Instructions other than the above (1)
 2. (HL) side of ADD/ADDC/SUB/SUBB/AND/OR/XOR (src), (HL)

2.2.1 Port P2 (P20)

Port P2 is a 1bit input/output port. It is also used as an external interrupt input, and a STOP mode release signal input. When used as an input port, or a secondary function pin, the output latch should be set to "1". During reset, the output latch is initialized to "1".

It is recommended that pin P20 should be used as an external interrupt input, a STOP mode release signal input, or an input port. If used as an output port, the interrupt latch is set on the falling edge of the P20 output pulse.

When a read instruction for port P2 is executed, bits 7 to 1 in P2 are read in as undefined data.

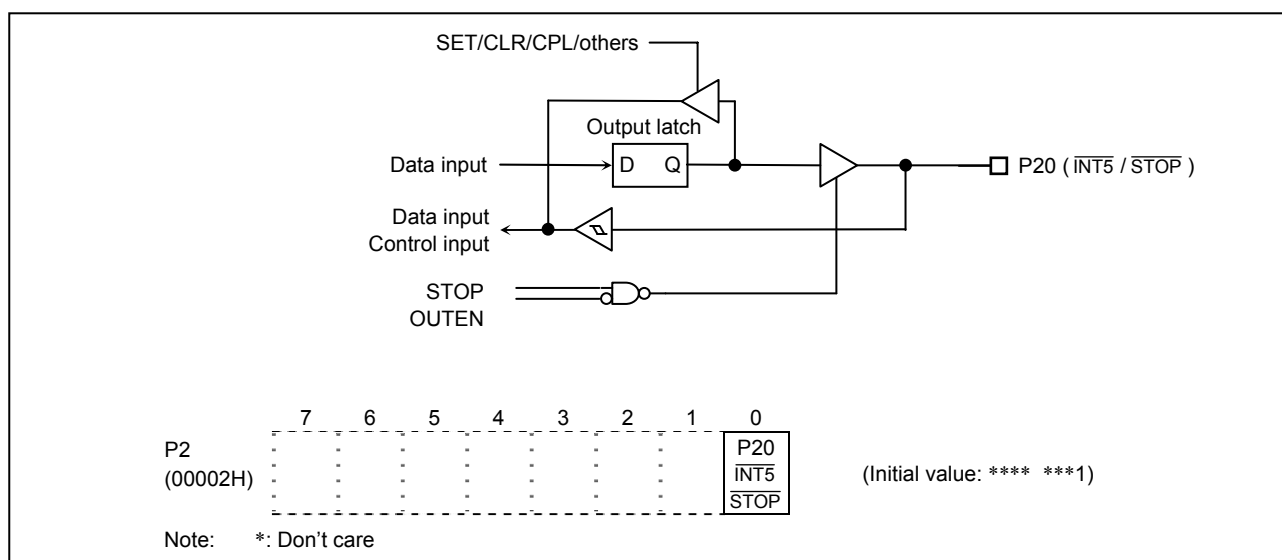


Figure 2.2.2 Port P2

2.2.2 Port P3 (P35 to P30)

Port P3 is an 6-bit input/output port which can be configured as an input or an output in one-bit unit under software control. Input/output mode is specified by the corresponding bit in the port P3 input/output control register 1 (P3CR1). Port P3 is configured as an input if its corresponding P3CR1 bit is cleared to "0", and as an output if its corresponding P3CR1 bit is set to "1". During reset, P3CR1 is initialized to "0", which configures port P3 as an input. The P3 output latches are also initialized to "1". Data is written into the output latch regardless of the P3CR1 contents. Therefore initial output data should be written into the output latch before setting P3CR1.

Port P3 is also used as an external interrupt input, Remote-control signal input a timer/counter input, and serial bus interface input/output. When used as a secondary function input pin except I²C bus interface input/output, the input pins should be set to the input mode. When used as a secondary function output pin except I²C bus interface input/output, the output pins should be set to the output mode and beforehand the output latch should be set to "1". When P34 and P35 are used as I²C bus interface input/output, P3CR2 bits should be set to the sink open drain mode, the output latches should be set to "1", and the output pins should be set to the output mode.

Note: Input mode port is read the state of input pin. When input/output mode is used mixed, the contents of output latch setting input mode may be changed by executing bit manipulation instructions.

Example 1: Outputs an immediate data 5AH to port P3

```
LD          (P3), 5AH      ; P3 ← 5AH
```

Example 2: Inverts the output of the lower 4 bits (P33 to P30) in port P3

```
XOR        (P3), 00001111B ; P33 to P30 ←  $\overline{P33}$  to  $\overline{P30}$ 
```

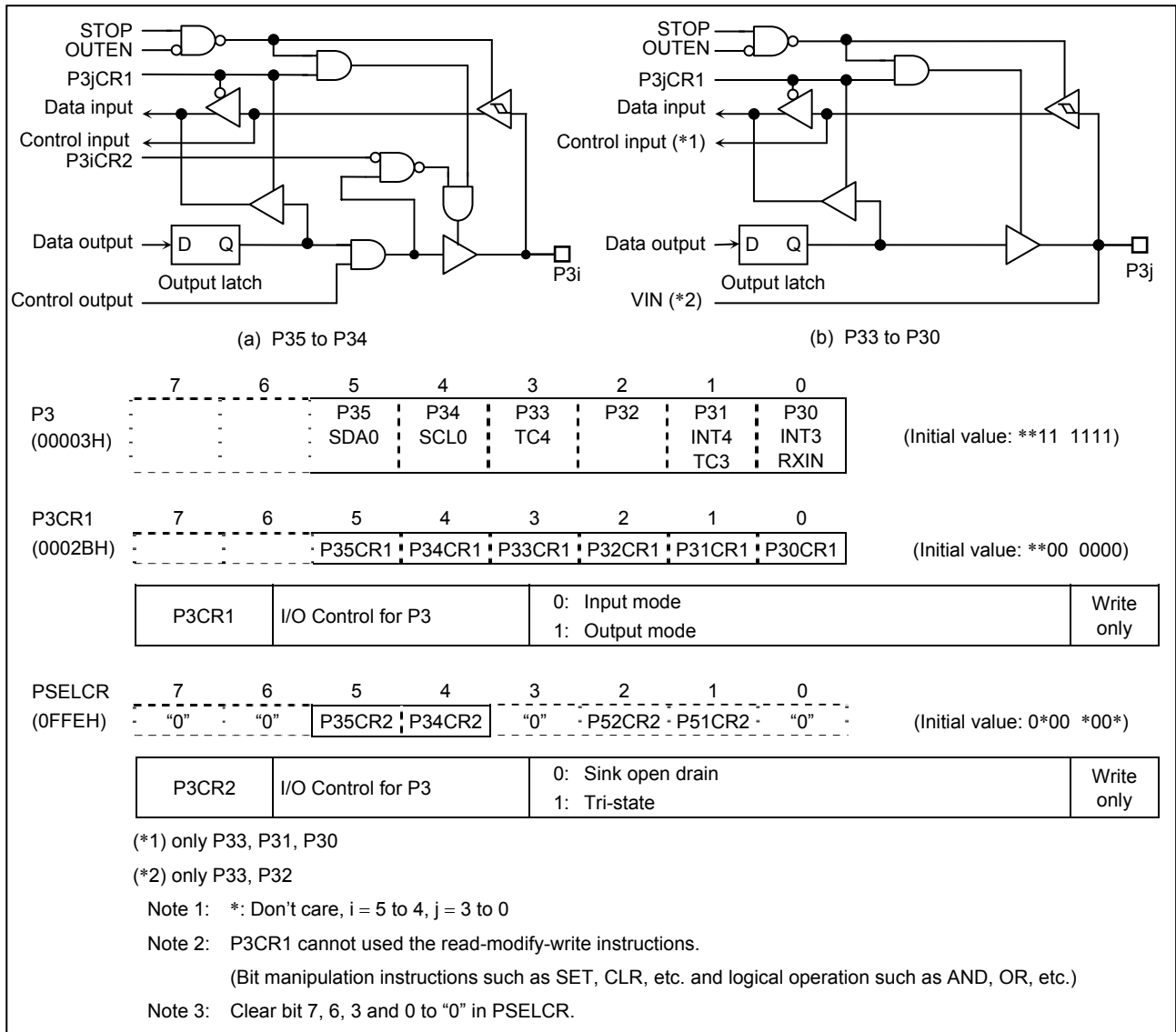


Figure 2.2.3 Port P3 and P3CR

2.2.3 Port P4 (P47 to P40)

Port P4 is an 8-bit input/output port which can be configured as an input or an output in one-bit unit under software control. Input/Output mode is specified by the corresponding bit in the port P4 input/output control register (P4CR). Port P4 is configured as an input if its corresponding P4CR bit is cleared to "0", and as an output if its corresponding P4CR bit is set to "1". During reset, P4CR is initialized to "0", which configures port P4 as an input. The P4 output latches are also initialized to "1". Data is written into the output latch regardless of the P4CR contents. Therefore initial output data should be written into the output latch before setting P4CR.

Port P4 is also used as a pulse width modulation (PWM) output. When used as a PWM output pin, the output pins should be set to the output mode and beforehand the output latch should be set to "1".

Note: Input mode port is read the state of input pin. When input/output mode is used mixed, the contents of output latch setting input mode may be changed by executing bit manipulation instructions.

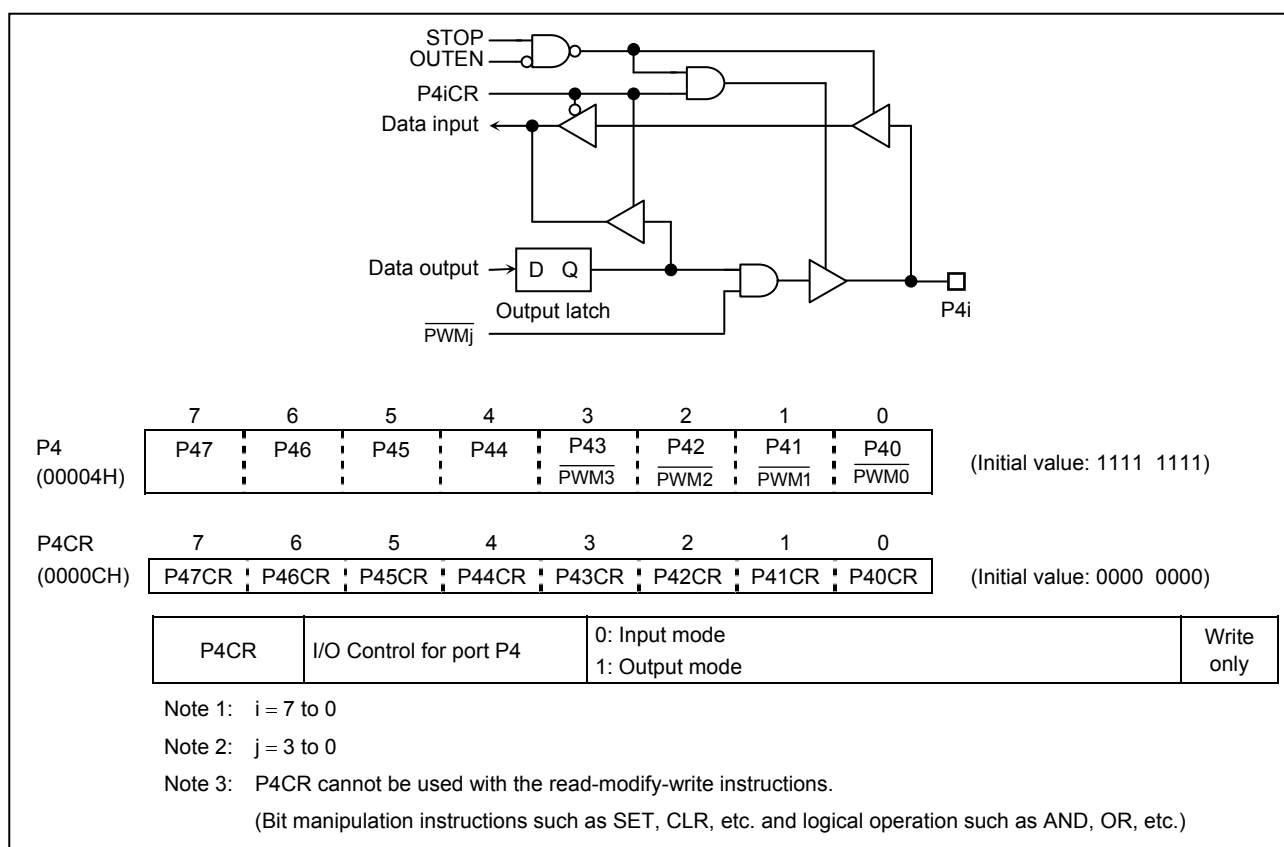


Figure 2.2.4 Ports P4 and P4CR

2.2.4 Port P5 (P57 to P50)

Port P5 is an 8-bit input/output port which can be configured as an input or an output in one-bit unit under software control. Input/output mode is specified by the corresponding bit in the port P5 input/output control register 1 (P5CR1). Port P5 is configured as an input if its corresponding P5CR1 bit is cleared to "0", and as an output if its corresponding P5CR1 bit is set to "1". During reset, P5CR1 is initialized to "0", which configures port P5 as an input. The P5 output latches are also initialized to "1". Data is written into the output latch regardless of the P5CR1 contents. Therefore initial output data should be written into the output latch before setting P5CR1.

Port P5 is also used as is also used as AD converter analog input, external interrupt input, timer/counter input, serial bus interface input/output, and an on screen display (OSD) output (I signal). When used as a secondary function input pin except I²C bus interface input/output, the input pins should be set to the input mode. When used as a secondary function output pin except I²C bus interface input/output, the output pins should be set to the output mode and beforehand the output latch should be set to "1". When P52 and P51 are used as I²C bus interface input/output, P5CR2 bits should be set to the sink open drain mode, the output latches should be set to "1", and the output pins should be set to the output mode. When P57 is used as an OSD output pin, the output pin should be set to the output mode and beforehand the port 6 data selection register (PIDS) should be clear to "0". When used as port P5, the port 6 data selection register (PIDS) should be set to "1".

Note: Input mode port is read the state of input pin. When input/output mode is used mixed, the contents of output latch setting input mode may be changed by executing bit manipulation instructions.

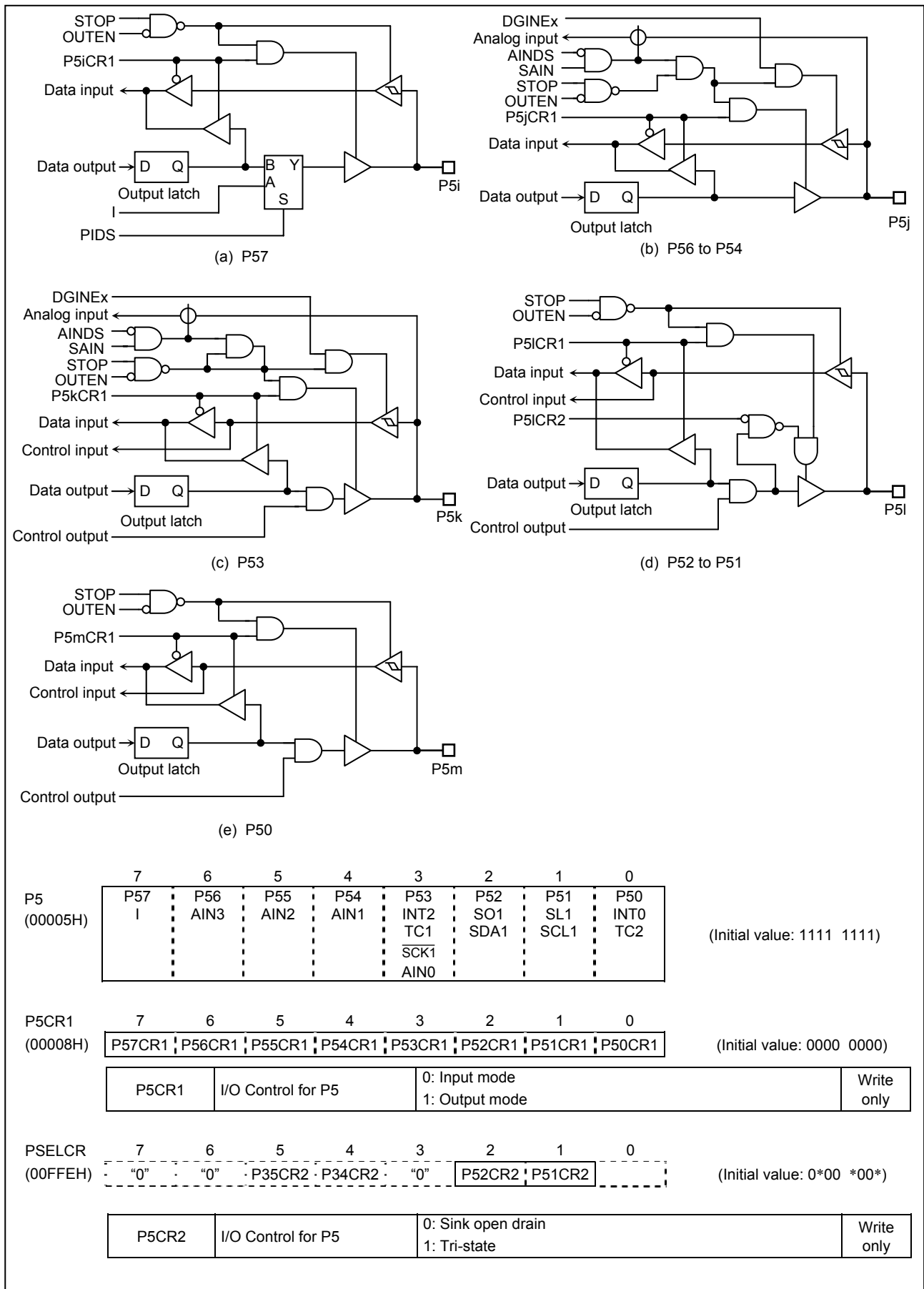


Figure 2.2.5 Ports P5 (1/2)

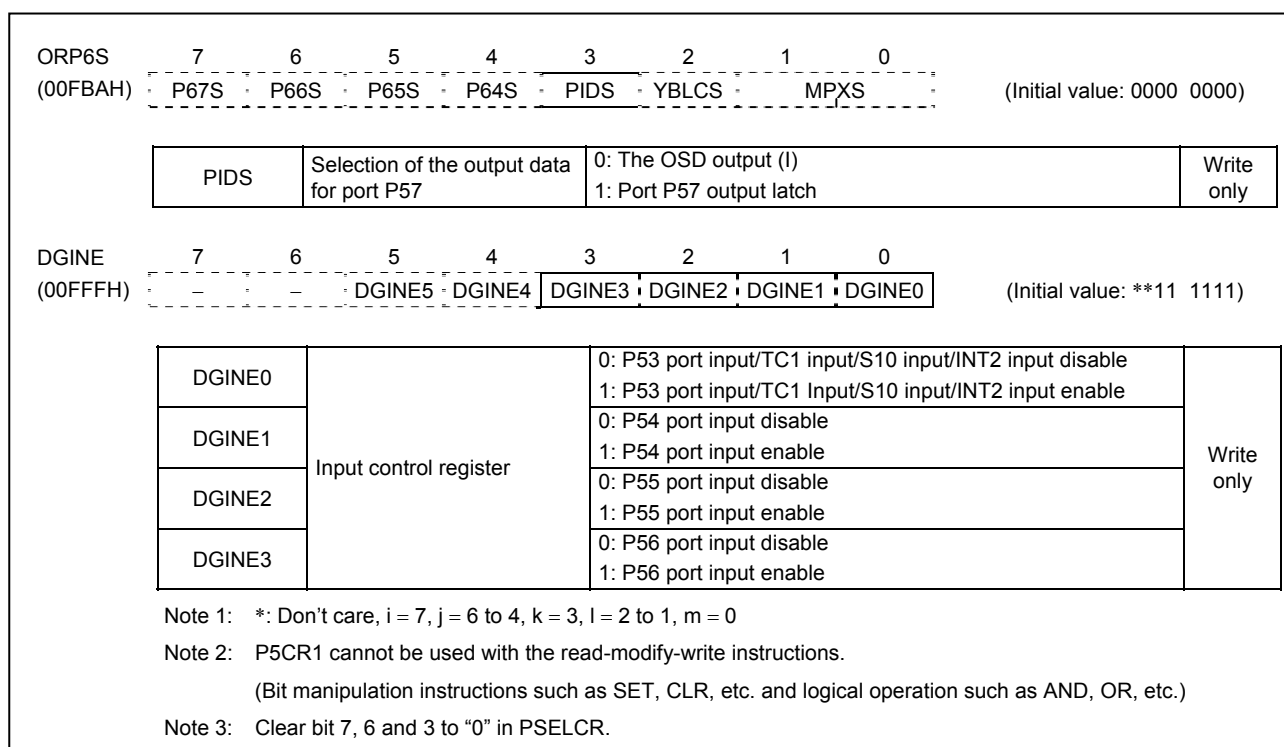


Figure 2.2.6 Ports P5 (2/2)

2.2.5 Port P6 (P67 to P60)

Port P6 is an 8-bit input/output port which can be configured as an input or an output in one-bit unit under software control. Input/output mode is selected by the corresponding bit in the port P6 input/output control register (P6CR). Port P6 is configured as an input if its corresponding P6CR bit is cleared to "0", and as an output if its corresponding P6CR bit is set to "1" and P6nS bit is set to "1". P63 to P60 are sink open drain ports. During reset, P6CR is initialized to "0", which configures port P6 as an input. The P6 output latches are also initialized to "1".

Data is written into the output latch regardless of the P6CR contents. Therefore initial output data should be written into the output latch before setting P6CR.

Port P6 is used as an on screen display (OSD) output (R, G, B, and Y/BL signal)/input (RIN, GIN BIN, Y/BLIN signal), a test video signal output and AD converter analog input. When used as a secondary function input, the input pins should be set to the input mode. When used as an OSD output pin, the output pins should be set to the output mode and beforehand the port P6 data selection register (P67S to P64S) should be clear to "0". When used as port P6, the signal control register (P67 to P64) should be set to "1".

Note1: Input mode port is read the state of input pin. When input/output mode is used mixed, the contents of output latch setting input mode may be changed by executing bit manipulation instructions.

Note2: P63 to P61 output "0" after a reset. When these dual-function pins are used as ports, be sure to set ORP6S2 to "1"

Example: Sets the lower 4 bits (P63 to P60) in port P6 to the output mode, and the other bit to the input mode.

```
LD      (P6CR), 0FH ; P6CR ← 00001111B
```

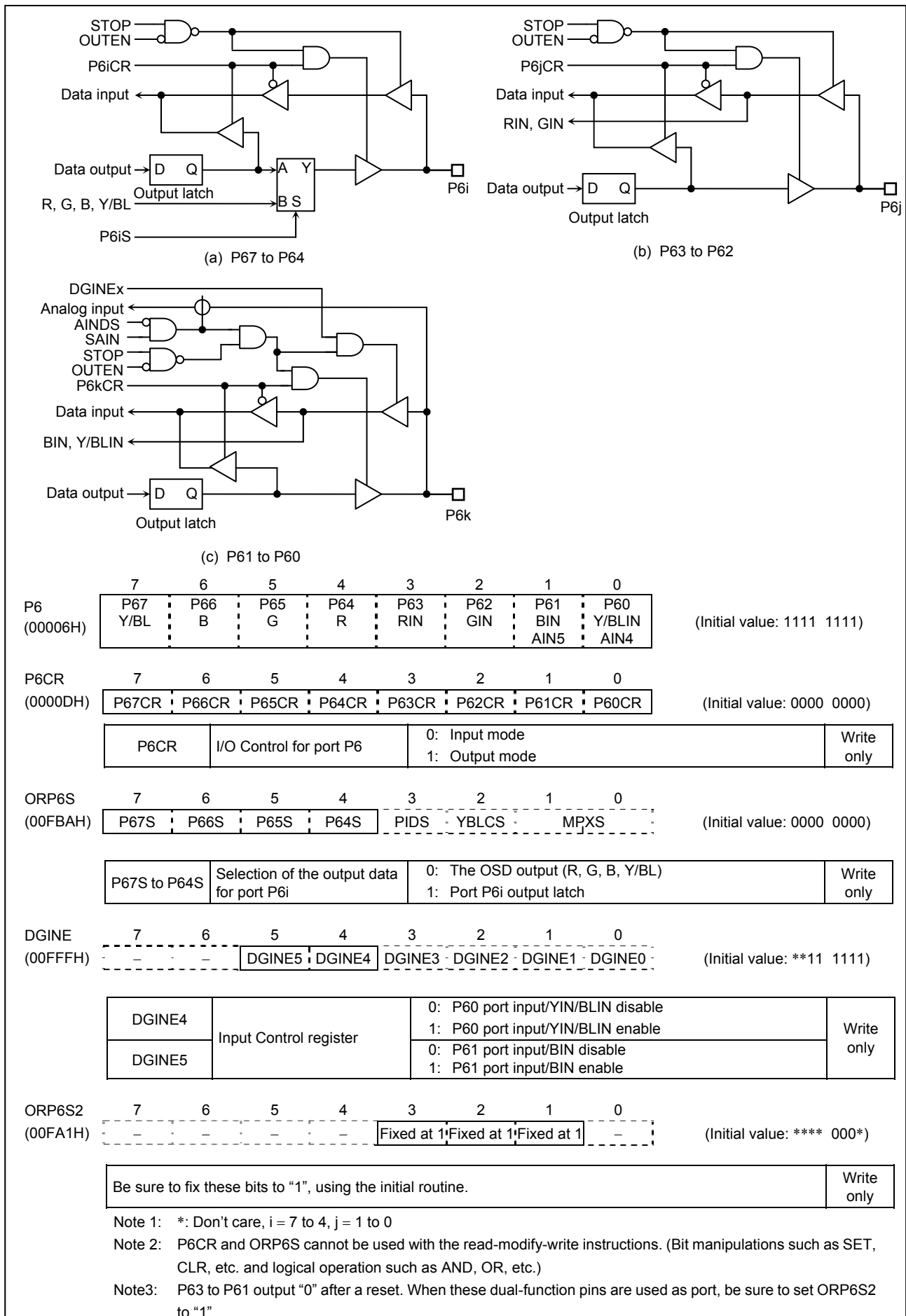


Figure 2.2.7 Ports P6, P6CR, and P67S to P64S

2.2.6 Port P7 (P71 to P70)

Port P7 is a 2bit input/output port, and is also used as a vertical synchronous signal (\overline{VD}) input and a horizontal synchronous signal (\overline{HD}) input for the on screen display (OSD) circuitry.

The output latches, are initialized to “1” during reset. When used as an input port or a secondary function pin, the output latch should be set to “1”.

When a read instruction for port P7 is executed, bits 7 to 2 in P7 are read in as undefined data.

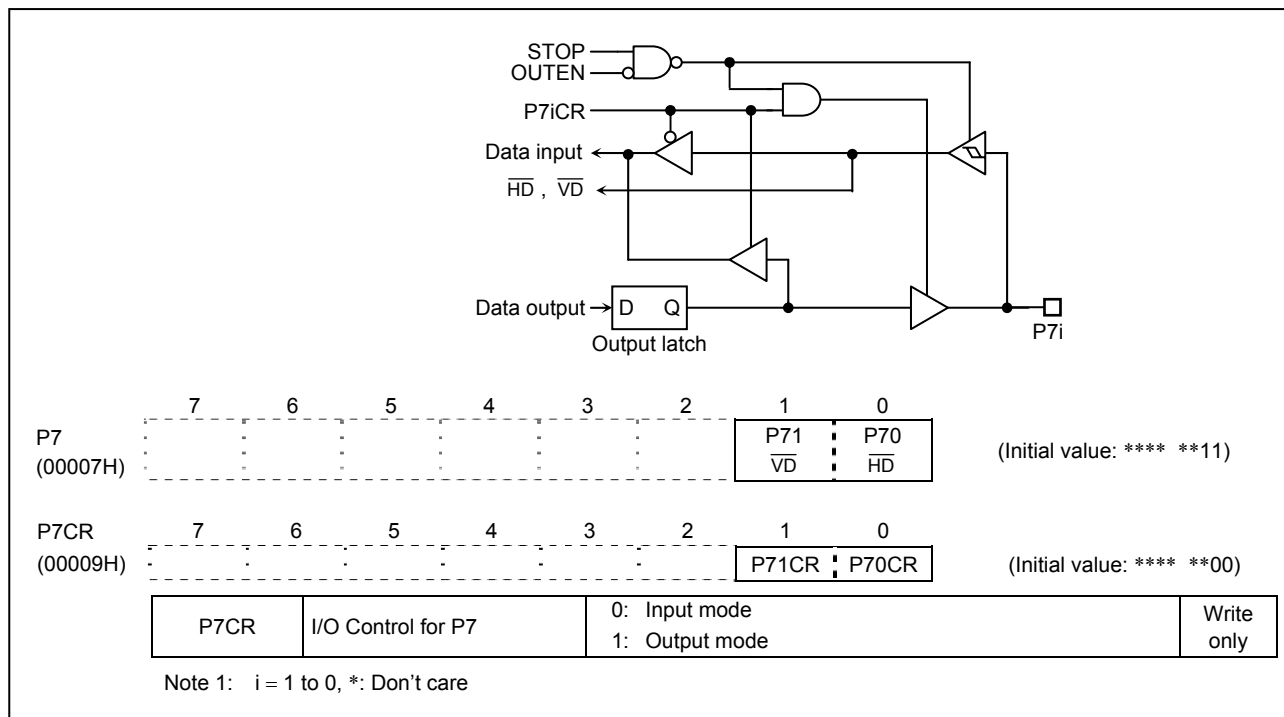


Figure 2.2.8 Ports P7

2.3 Time Base Timer (TBT)

The time base timer generates time base for key scanning, dynamic displaying, etc. It also provides a time base timer interrupt (INTTBT). The time base timer is controlled by a control register (TBTCR) shown in Figure 2.3.1.

An INTTBT is generated on the first rising edge of source clock (the divider output of the timing generator) after the time base timer has been enabled. The divider is not cleared by the program; therefore, only the first interrupt may be generated ahead of the set interrupt period.

The interrupt frequency (TBTCK) must be selected with the time base timer disabled (When the time base timer is changed from enabling to disabling, the interrupt frequency can't be changed.)

Both frequency selection and enabling can be performed simultaneously.

Example: Sets the time base timer frequency to $fc/2^{16}$ [Hz] and enables an INTTBT interrupt.

```
LD    (TBTCR), 00000010B    ;  TB TCK="010"
LD    (TBTCR), 00001010B    ;  TBTEN="1"
SET   (EIRL). 6
```

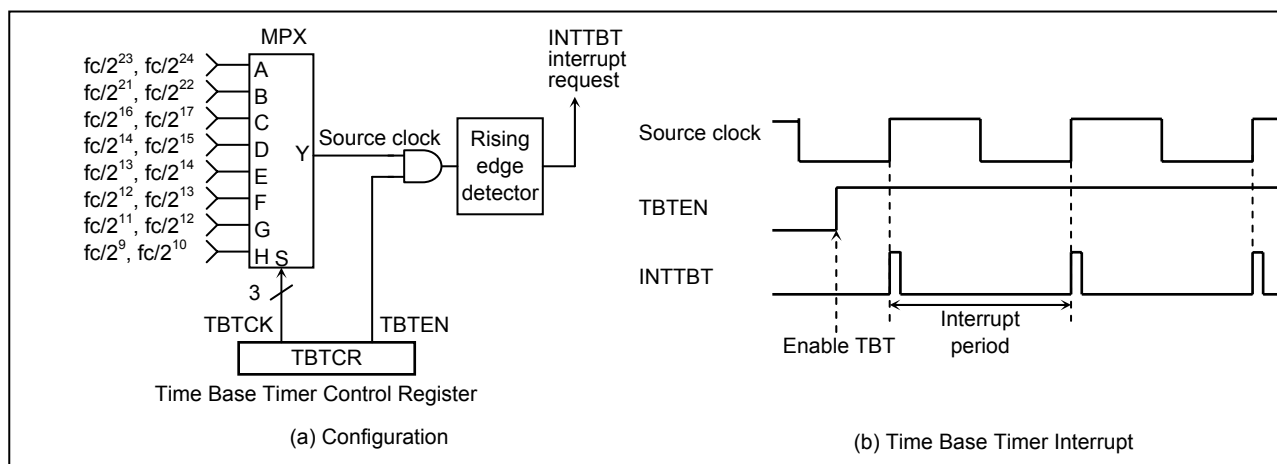


Figure 2.3.1 Time Base Timer

TBTCR (00036H)	7	6	5	4	3	2	1	0	
	"0"	-	-	"0"	TBTEN	, TBCK ,			(Initial value: 0**0 0***)

TBTEN	Time base timer enable/disable	0: Disable 1: Enable		
TBCK	Time base timer interrupt frequency select		NORMAL, IDLE mode	
			DV1CK = 0	
			DV1CK = 1	
		000	$fc/2^{23}$ [Hz]	$fc/2^{24}$ [Hz]
		001	$fc/2^{21}$	$fc/2^{22}$
		010	$fc/2^{16}$	$fc/2^{17}$
		011	$fc/2^{14}$	$fc/2^{15}$
		100	$fc/2^{13}$	$fc/2^{14}$
		101	$fc/2^{12}$	$fc/2^{13}$
110	$fc/2^{11}$	$fc/2^{12}$		
111	$fc/2^9$	$fc/2^{10}$		
			Write only	

Note 1: fc: High-frequency clock [Hz], *: Don't care

Note 2: TBTCR is a write-only register and must not be used with any of read-modify-write instructions.

Note 3: Set bit 7 and 4 in TBTCR to "0".

Figure 2.3.2 Time Base Timer and Divider Output Control Register

Table 2.3.1 Time Base Timer Interrupt Frequency (Example: at $fc = 16\text{MHz}$)

TBCK	Time Base Timer Interrupt Frequency [Hz]	
	NORMAL, IDLE mode	
	DV1CK = 0	DV1CK = 1
000	1.90	0.95
001	7.62	3.81
010	244.14	122.07
011	976.56	488.28
100	1953.12	976.56
101	3906.25	1953.12
110	7812.50	3906.25
111	31250	15625

2.4 Watchdog Timer (WDT)

The watchdog timer is a fail-safe system to rapidly detect the CPU malfunctions such as endless looping caused by noise or the like, or deadlock and resume the CPU to the normal state.

The watchdog timer signal for detecting malfunction can be selected either a reset output or a pseudo non-maskable interrupt request. However, selection is possible only once after reset. At first the reset output is selected.

When the watchdog timer is not being used for malfunction detection, it can be used as a timer to generate an interrupt at fixed intervals.

2.4.1 Watchdog Timer Configuration

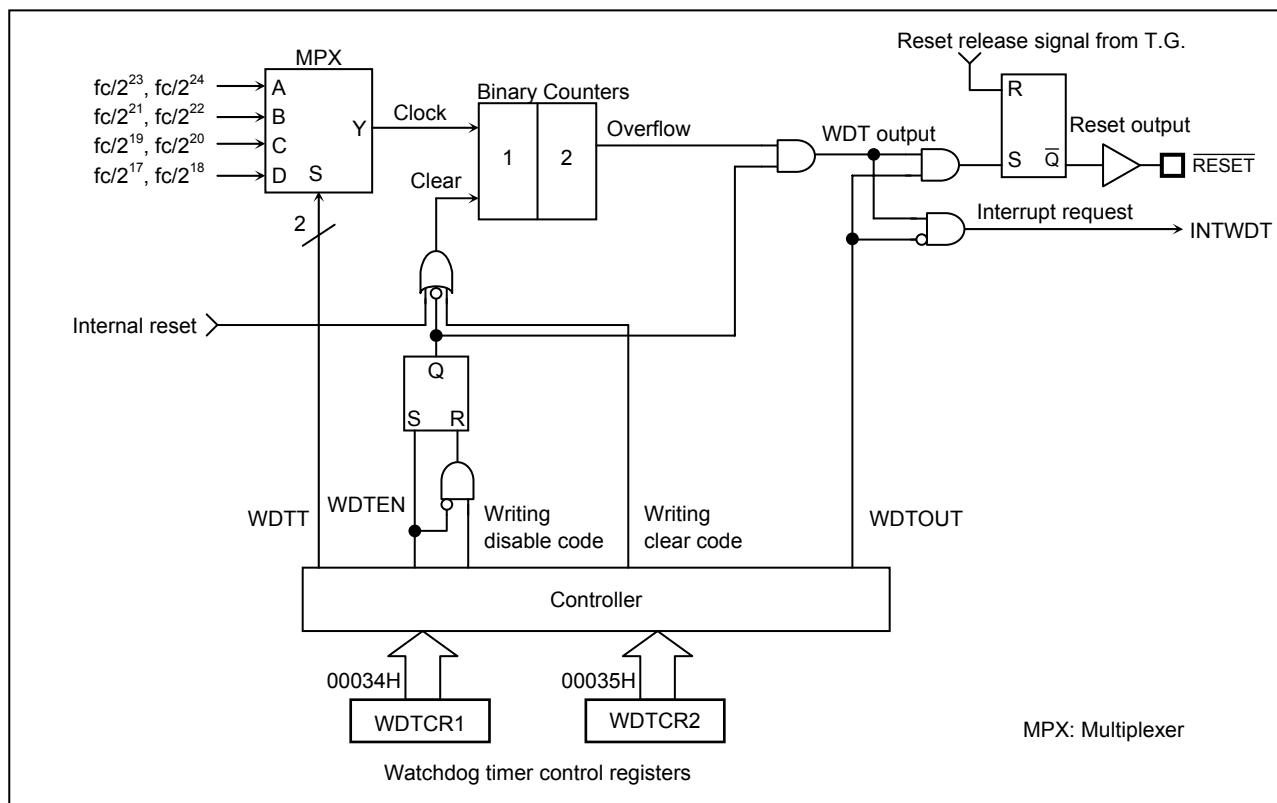


Figure 2.4.1 Watchdog Timer Configuration

2.4.2 Watchdog Timer Control

Figure 2.4.2 shows the watchdog timer control registers (WDTTCR1, WDTTCR2). The watchdog timer is automatically enabled after reset.

(1) Malfunction detection methods using the watchdog timer

The CPU malfunction is detected as follows.

1. Setting the detection time, selecting output, and clearing the binary counter.
2. Repeatedly clearing the binary counter within the setting detection time.

Note: The watchdog timer consists of an internal divider and two-stage binary counter. Writing the clear code (4EH) clears the binary counter, but not the internal divider. The minimum overflow time for the binary counter might be three quarters of the WDTTCR1 (WDTT) time setting depending on when the clear code (4EH) is written into the WDTTCR2 register. So, write the clear code on a cycle which is shorter than that minimum overflow time.

If the CPU malfunctions such as endless looping or deadlock occur for any cause, the watchdog timer output will become active at the rising of an overflow from the binary counters unless the binary counters are cleared. At this time, when $WDOUT = 1$ a reset is generated, which drivers the \overline{RESET} pin low to reset the internal hardware and the external circuit. When $WDOUT = 0$, a watchdog timer interrupt (INTWDT) is generated.

The watchdog timer temporarily stops counting in STOP mode including warm-up or IDLE mode, and automatically restarts (continues counting) when the STOP/IDLE mode is released.

Example: Sets the watchdog timer detection time to $2^{21}/fc$ [s] and resets the CPU malfunction.

LD (WDTCR2), 4EH ; Clears the binary counters

LD (WDTCR1), 00001101B ; WDTT ← 10, WDTOUT ← 1

LD (WDTCR2), 4EH ; Clears the binary counters
(always clear immediately before and after changing WDTT)

LD (WDTCR2), 4EH ; Clears the binary counters

LD (WDTCR2), 4EH ; Clears the binary counters

Watchdog Timer Register 1							
WDTCR1 (00034H)							
7 6 5 4 3 2 1 0							
			WDTEN	WDTT	WDTOUT	(Initial value: **** 1001)	
WDTEN	Watchdog timer enable/disable	0: Disable (It is necessary to write the disable code to WDTCR2) 1: Enable					
WDTT	Watchdog timer detection time [s]			NORMAL mode		Write only	
				DV1CK = 0	DV1CK = 1		
		00	$2^{25}/fc$	$2^{26}/fc$			
		01	$2^{23}/fc$	$2^{24}/fc$			
		10	$2^{21}/fc$	$2^{22}/fc$			
11	$2^{19}/fc$	$2^{20}/fc$					
WDTOUT	Watchdog timer output select	0: Interrupt request 1: Reset output					

Note 1: WDTOUT cannot be set to "1" by program after clearing WDTOUT to "0".

Note 2: fc: High-frequency clock [Hz], *: Don't care

Note 3: WDTCR1 is a write-only register and must not be used with any of read-modify-write instructions.

Note 4: The watchdog timer must be disabled or the counter must be cleared immediately before entering to the STOP mode. When the counter is cleared, the counter must be cleared again immediately after releasing the STOP mode.

Note 5: Just right before disabling the watchdog timer, disable the acceptance of interrupts (DI) and clear the watchdog timer.
If the watchdog timer is disabled under conditions other than the above, the proper operation cannot be guaranteed.

Watchdog Timer Register 2				
WDTCR2 (00035H)				
7 6 5 4 3 2 1 0				
				(Initial value: **** ****)
WDTCR2	Watchdog timer control code write register	4EH: Watchdog timer binary counter clear (clear code) B1H: Watchdog timer disable (disable code) Others: Invalid		Write only

Note 1: The disable code is invalid unless written when WDTEN = 0.

Note 2: *: Don't care

Note 3: The binary counter of the watchdog timer must not be cleared by the interrupt task.

Note 4: Clears the binary counter does not clear the source clock.
It is recommended that the time to clear is set to 3/4 of the detecting time.

Note 5: The watchdog timer counter must be disabled by writing the disable code (B1H) to WDRCR2 after writing WDTCR2 to "4EH".

Figure 2.4.2 Watchdog Timer Control Registers

(2) Watchdog timer enable

The watchdog timer is enabled by setting WDTEN (bit 3 in WDTCR1) to “1”. WDTEN is initialized to “1” during reset, so the watchdog timer operates immediately after reset is released.

Example: Disables watchdog timer

```
LDW (WDTCR1), 00001000B ; WDTEN ← 1
```

(3) Watchdog timer disable

To disable the watchdog timer, clear the interrupt mask enable flag (IMF) to “0” and write the clear code (4EH) into WDTCR2. Then, clear WDTEN (bit 3 in WDTCR1) to “0”.

When WDTEN is “0”, the watchdog timer is disabled by writing the disable code (B1H) into WDTCR2. If WDTEN is cleared to “0” after the disable code has been written into WDTCR2, the watchdog timer is not disabled. While it is disabled, its binary counter is cleared.

Example:

```
DI ; Disables interrupt acceptance.
LD (WDTCR2), 4EH ; Clears the watchdog timer.
LDW (WDTCR1), B101H ; Disables the watchdog timer.
EI ; Enables interrupt acceptance.
```

Table 2.4.1 Watchdog Timer Detection Time (Example: $f_c = 16$ MHz)

WDTT	Watchdog timer detection time [s]	
	NORMAL mode	
	DV1CK = 0	DV1CK = 1
00	2.097	4.194
01	524.288 m	1.048
10	131.072 m	262.1 m
11	32.768 m	65.5 m

2.4.3 Watchdog Timer Interrupt (INTWDT)

This is a pseudo non-maskable interrupt which can be accepted regardless of the contents of the EIR. If a watchdog timer interrupt or a software interrupt is already accepted, however, the new watchdog timer interrupt waits until the previous interrupt processing is completed (the end of the [RETN] instruction execution).

The stack pointer (SP) should be initialized before using the watchdog timer output as an interrupt source with WDTOUT.

Example: Watchdog timer interrupt setting up

```
LD SP, 023FH ; Sets the stack pointer
LD (WDTCR1), 00001000B ; WDTOUT ← 0
```

2.4.4 Watchdog Timer Reset

If the watchdog timer output becomes active, a reset is generated, which drives the $\overline{\text{RESET}}$ pin (sink open drain input/output with pull-up) low to reset the internal hardware. The reset output time is about $8/f_c$ to $24/f_c$ [s] (0.5 to 1.5 μs at $f_c = 16.0$ MHz).

Note: If there is any fluctuation in the oscillation frequency at the start of clock oscillation, the reset time includes error. Thus, regard the reset time as an approximate value.

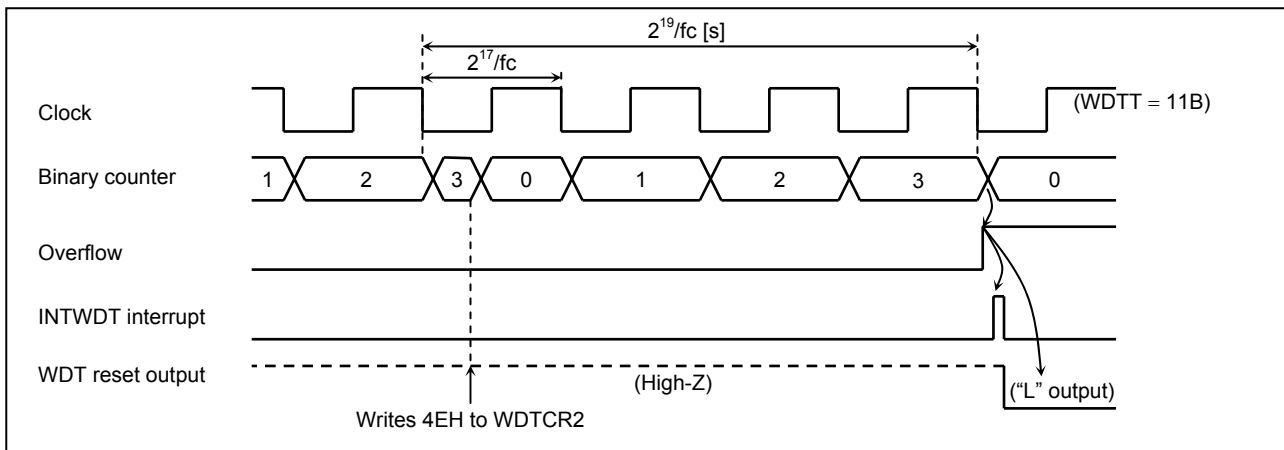
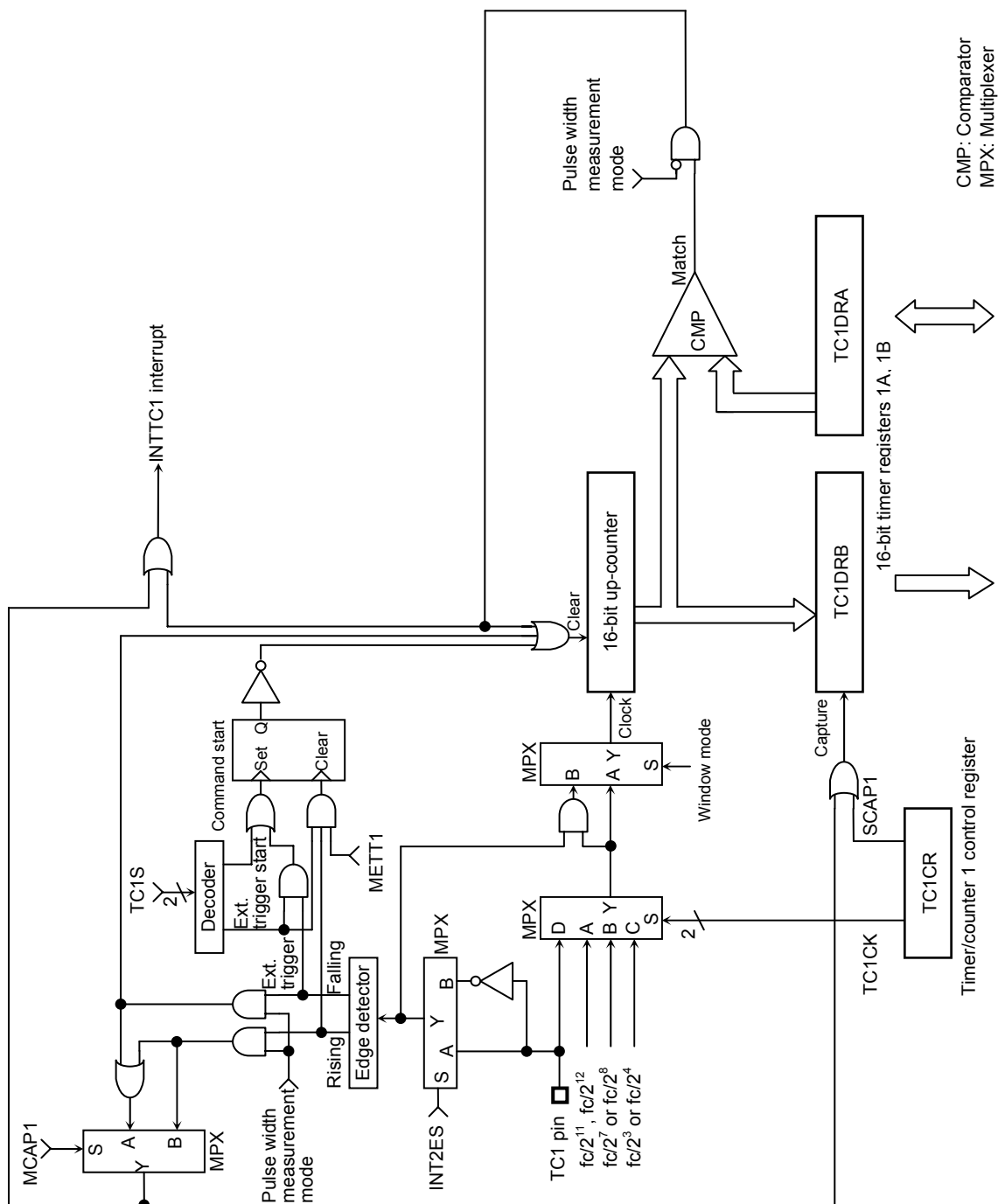


Figure 2.4.3 Watchdog Timer Interrupt/Reset

2.5 16-Bit Timer/Counter1 (TC1A)

2.5.1 Configuration



Note: Be sure to set the function of input/output pins correctly. For details, see the section on I/O port control registers.

Figure 2.5.1 Timer/Counter 1

2.5.2 Control

The timer/counter 1 is controlled by a timer/counter 1 control register (TC1CR) and two 16-bit timer registers (TC1DRA and TC1DRB).

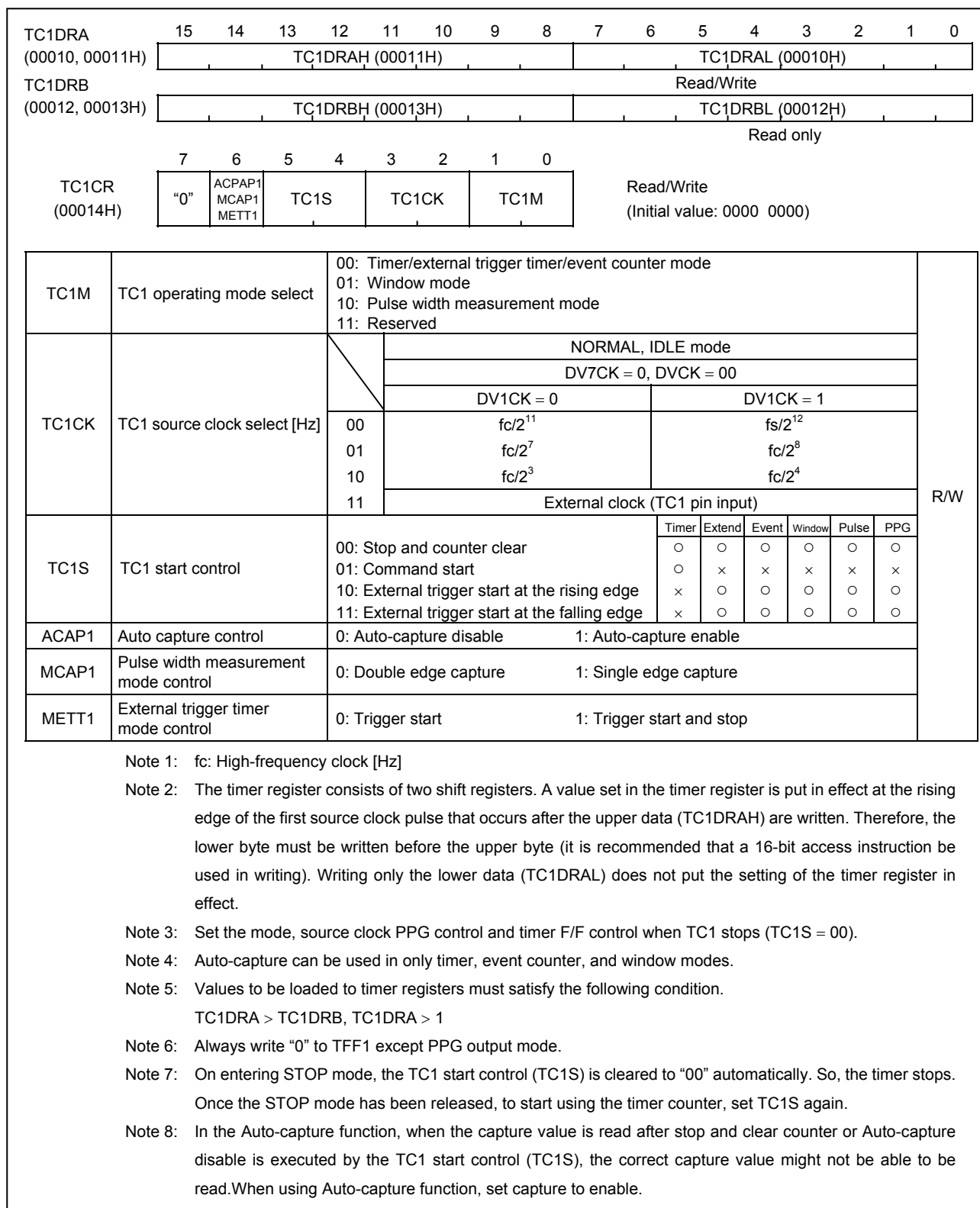


Figure 2.5.2 Timer Registers and TC1 Control Register

2.5.3 Function

Timer/counter 1 has five operating modes: timer, external trigger timer, event counter, window, pulse width measurement.

(1) Timer mode

In this mode, counting up is performed using the internal clock. The contents of TC1DRA are compared with the contents of up-counter. If a match is found, an INTTC1 interrupt is generated, and the counter is cleared to "0". Counting up resumes after the counter is cleared. The current contents of up-counter can be transferred to TC1DRB by setting ACAP1 (bit 6 in TC1CR) to "1" (software capture function). (Auto-capture function)

Table 2.5.1 Source Clock (internal clock) for Timer/Counter 1 (Example: at $f_c = 16.0$ MHz)

TC1CK	NORMAL, IDLE mode			
	DV1CK = 0		DV1CK = 1	
	Resolution [μ s]	Maximum time setting [s]	Resolution [μ s]	Maximum time setting [s]
00	128.0	8.39	256.0	16.78
01	8.0	0.524	16.0	1.049
10	0.5	32.77 m	1.0	65.54 m

Example 1: Sets the timer mode with source clock $f_c/2^{11}$ [Hz] and generates an interrupt 1 later (at $f_c = 16$ MHz)

```
LDW    (TC1DRA), 1E84H    ; Sets the timer register
                          ; (1 s ÷ 211/fc = 1E84H)
DI
SET    (EIRL), 4         ; Enable INTTC1
EI
LD     (TC1CR), 00000000B ; Selects the source clock and mode
LD     (TC1CR), 00010000B ; Starts TC1
```

Example 2: Auto-capture

```
LD     (TC1CR), 01010000B ; ACAP1 ← 1 (Capture)
LD     WA, (TC1DRB)       ; Reads the capture value
```

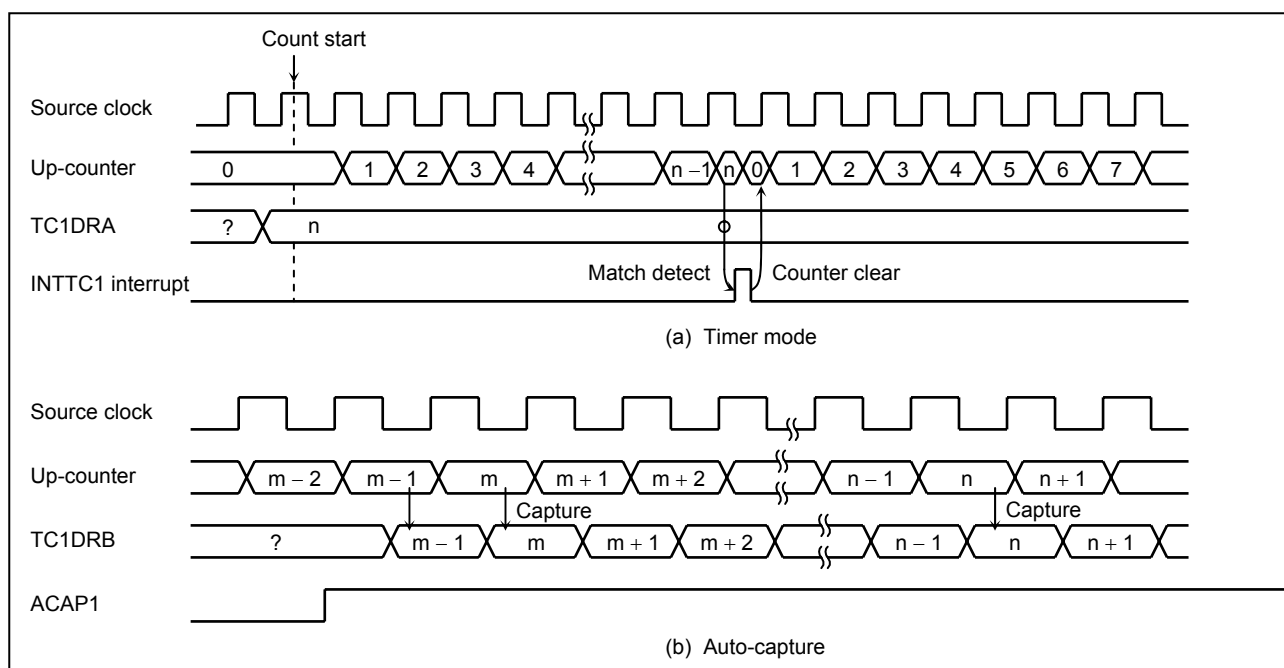


Figure 2.5.3 Timer Mode Timing Chart

(2) External trigger timer mode

In this mode, counting up is started by an external trigger. This trigger is the edge of the TC1 pin input. Either the rising or falling edge can be selected with TC1S. Source clock is an internal clock. The contents of TC1DRA is compared with the contents of up-counter. If a match is found, an INTTC1 interrupt is generated, and the counter is cleared to "0" and halted. The counter is restarted by the selected edge of the TC1 pin input.

When METT1 (bit 6 in TC1CR) is "1", inputting the edge to the reverse direction of the trigger edge to start counting clears the counter, and the counter is stopped. Inputting a constant pulse width can generate interrupts. When METT1 is "0", the reverse directive edge input is ignored. The TC1 pin input edge before a match detection is also ignored.

The TC1 pin input has the noise rejection; therefore, pulses of $7/f_c$ [s] or less are rejected as noise. A pulse width of $13/f_c$ [s] or more is required for edge detection in NORMAL or IDLE mode.

Example 1: Detects rising edge in TC1 pin input and generates an interrupt 100 μ s later.

(at $f_c = 16.0$ MHz, $DV1CK = 1$)

```
LDW (TC1DRA), 0064H ; 100  $\mu$ s  $\div 2^4/f_c = 64$ H
DI
SET (EIRL). 4 ; INTTC1 interrupt enable
EI
LD (TC1CR), 00001000B ; Selects the source clock and mode
LD (TC1CR), 00101000B ; TC1 external trigger start, METT1 = 0
```

Example 2: Generates an interrupt, inputting "L" level pulse (pulse width: 4 ms or more) to the TC1 pin. (at $f_c = 16.0$ MHz, $DV1CK = 1$)

```
LDW (TC1DRA), 00FAH ; 4 ms  $\div 2^8/f_c = FA$ H
DI
SET (EIRL). 4 ; INTTC1 interrupt enable
EI
LD (TC1CR), 00000100B ; Selects the source clock and mode
LD (TC1CR), 01110100B ; TC1 external trigger start, METT1 = 1
```

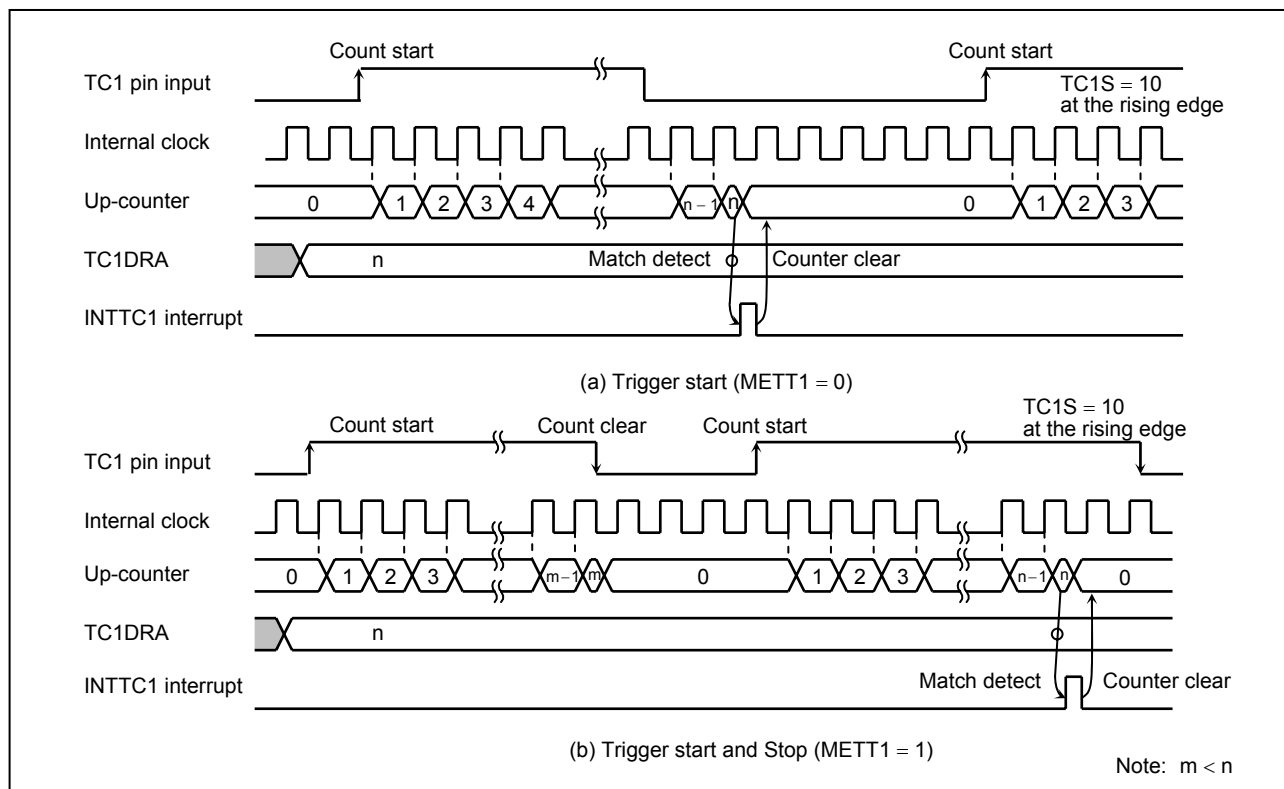



Figure 2.5.4 External Trigger Timer Mode Timing Chart

(3) Event counter mode

In this mode, events are counted at the edge of the TC1 pin input and bit 4 or 5 in TC1CR. Either the rising or falling edge can be selected with the external trigger. The contents of TC1DRA are compared with the contents of up-counter. If a match is found, an INTTC1 interrupt is generated, and the counter is cleared.

Match detect is executed on other edge of count-up. A match can not be detected and INTTC1 is not generated when the pulse is still in same state.

Setting ACAP1 to "1" transfers the current contents of up-counter to TC1DRB (Auto-capture function).

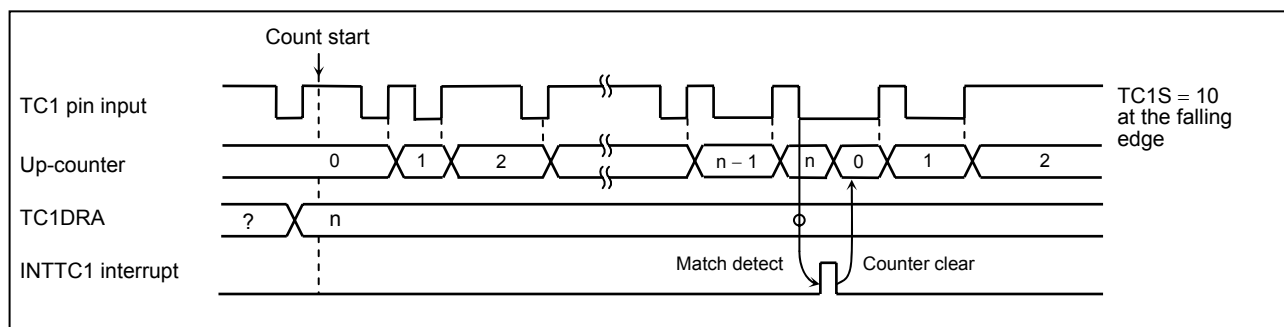


Figure 2.5.5 Event Counter Mode Timing Chart

Table 2.5.2 Input Pulse Width for Timer/Counter 1

	Minimum pulse width [s]
	NORMAL/IDLE
"H" width	$2^3/fc$
"L" width	$2^3/fc$

(4) Window mode

Counting up is performed on the rising edge of the pulse that is the logical AND-ed product of the TC1 pin input (window pulse) and an internal clock. The contents of TC1DRA are compared with the contents of up-counter. If a match is found, an INTTC1 interrupt is generated, and the counter is cleared. Positive or negative logic for the TC1 pin input can be selected with bit4 or 5 in TC1CR.

It is necessary that the maximum applied frequency be such that the counter value can be analyzed by the program. That is; the frequency must be considerably slower than the selected internal clock.

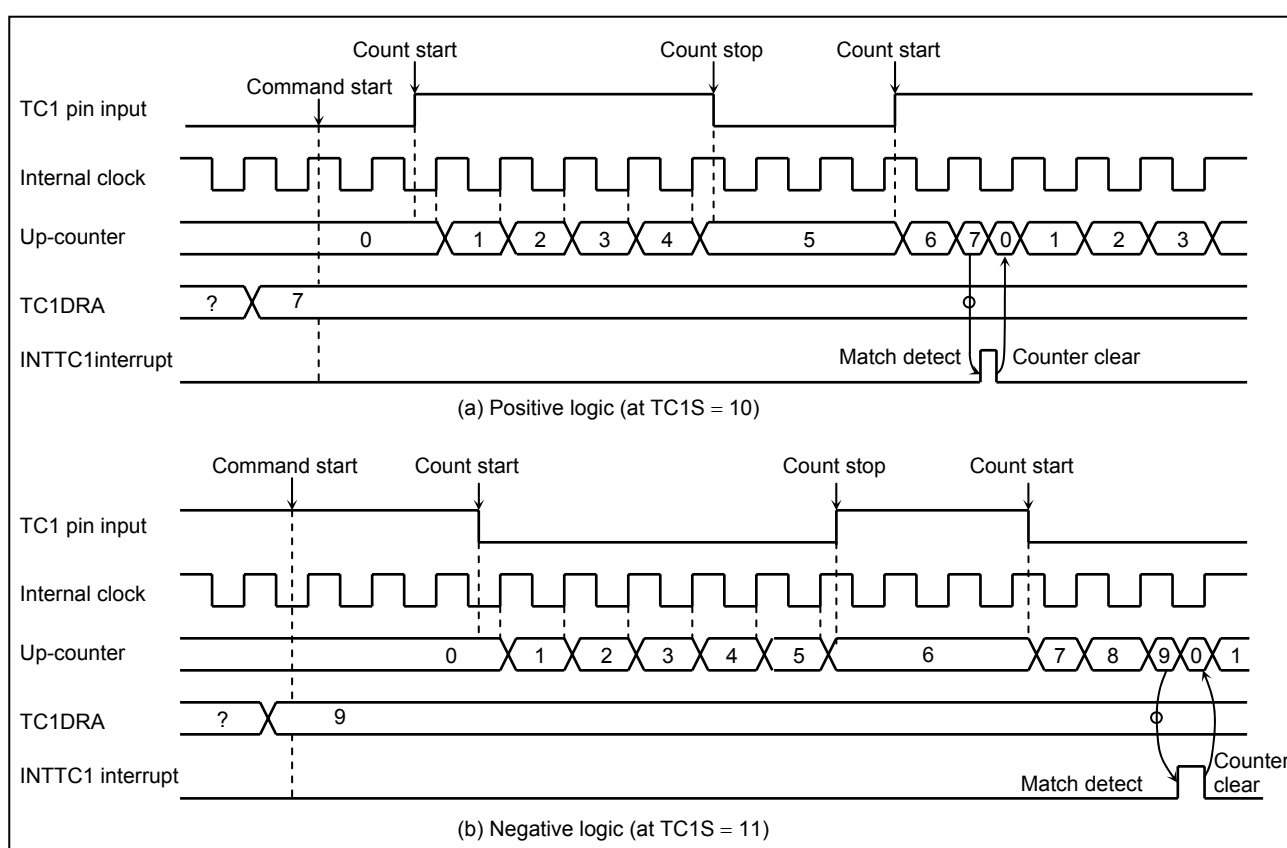


Figure 2.5.6 Window Mode Timing Chart

(5) Pulse width measurement mode

In this mode, counting is started by the external trigger (set to external trigger start by TC1CR). The trigger can be selected either the rising or falling edge of the TC1 pin input. The source clock is used an internal clock. On the next falling (rising) edge, the counter contents are transferred to TC1DRB and an INTTC1 interrupt is generated. The counter is cleared when the single edge capture mode is set. When double edge capture is set, the counter continues and, at the next rising (falling) edge, the counter contents are again transferred to TC1DRB. If a falling (rising) edge capture value is required, it is necessary to read out TC1DRB contents until a rising (falling) edge is detected. Falling or rising edge is selected with the external trigger TC1S (bit4 or 5 in TC1CR), and single edge or double edge is selected with MCAP1 (bit 6 in TC1CR).

Note 1: Be sure to read the captured value from TC1DRB before the next trigger edge is detected. If fail to read it, it becomes undefined. It is recommended that a 16-bit access instruction be used to read from TC1DRB.

Note 2: If either the falling or rising edge is used in capturing values, the counter stops at "1" after a value has been captured until the next edge is detected. So, the value captured next will become "1" larger than the value captured right after capturing starts.

Note 3: In the Pulse width measurement mode, the capture value of the first time after the timer starts might not be a correct value. Thus, execute the dummy read once.

Example: Duty measurement (resolution $f_c/2^7$ [Hz] DV1CK = 0)

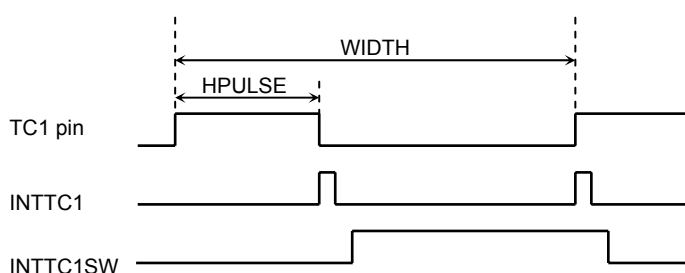
```

CLR   (INTTC1SW). 0           ; INTTC1 service switch initial setting:
                                ; Clears Bit 0 of INTTC1SW. This bit is
                                ; inverted by CPL instruction before
                                ; INTTC1 is generated.

LD    (TC1CR), 00000110B      ; Sets the TC1 mode and source clock
DI
SET   (EIRL). 4               ; Enables INTTC1
EI
LD    (TC1CR), 00100110B      ; Starts TC1 with an external trigger
                                ; at MCAP1 = 0
...
PINTTC1: CPL (INTTC1SW). 0     ; Complements INTTC1 service switch
JRS   F, SINTTC1
LD    WA, (TC1DRBL)           ; Reads TC1DRB
                                ; ("H" level pulse width)
                                ; Lower address in TC1DRBL:
                                ; TC1DRB

LD    (HPULSE), WA
RETI
SINTTC1: LD WA, (TC1DRBL)      ; Reads TC1DRB (Period)
LD    (WIDTH), WA
...
RETI                           ; Duty calculation
...
VINTTC1: DW PINTTC1           ; Sets INTTC1

```



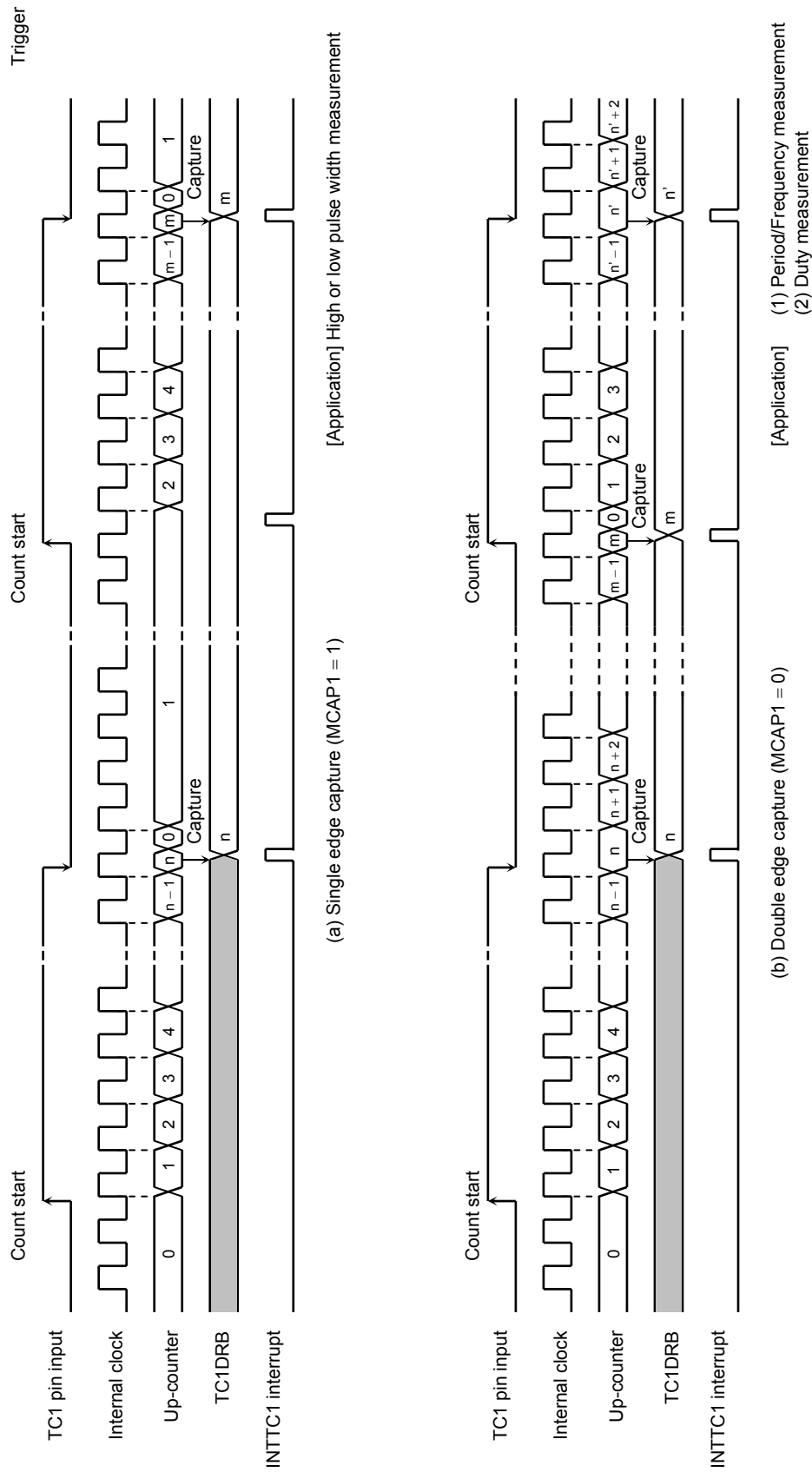


Figure 2.5.7 Pulse Width Measurement Mode Timing Chart

2.6 16-Bit Timer/Counter 2 (TC2A)

2.6.1 Configuration

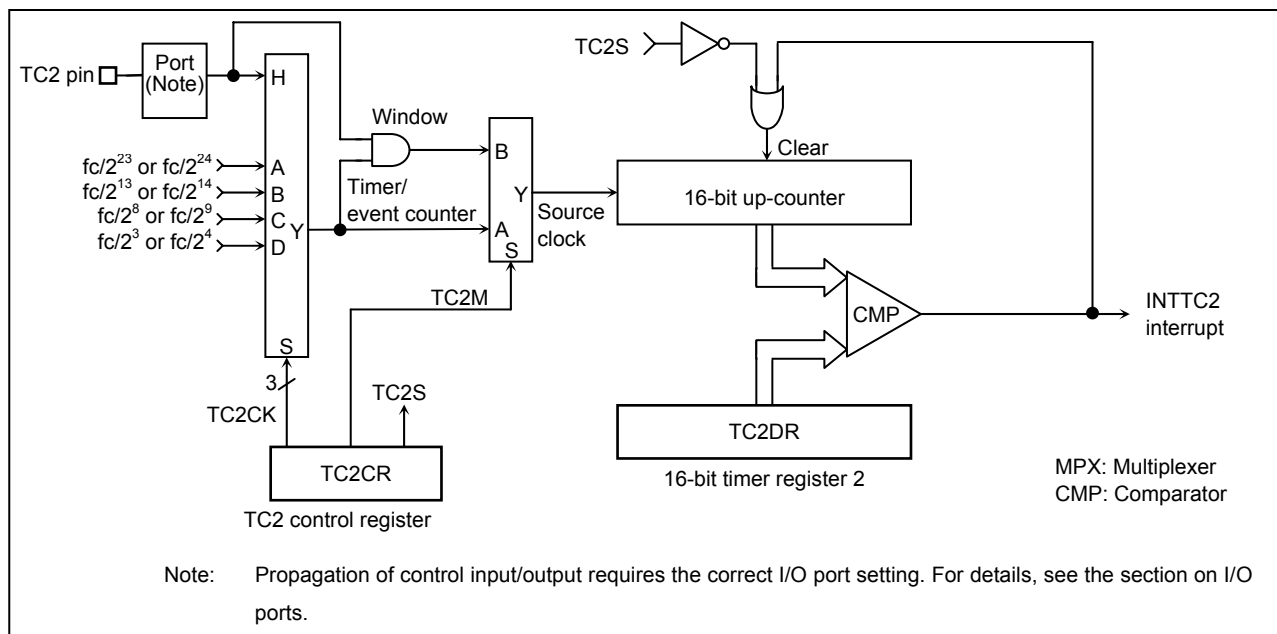


Figure 2.6.1 Timer/Counter 2 (TC2)

2.6.2 Control

The timer/counter 2 is controlled by a timer/counter 2 control register (TC2CR) and a 16-bit timer register 2 (TC2DR). Reset does not affect TC2DR.

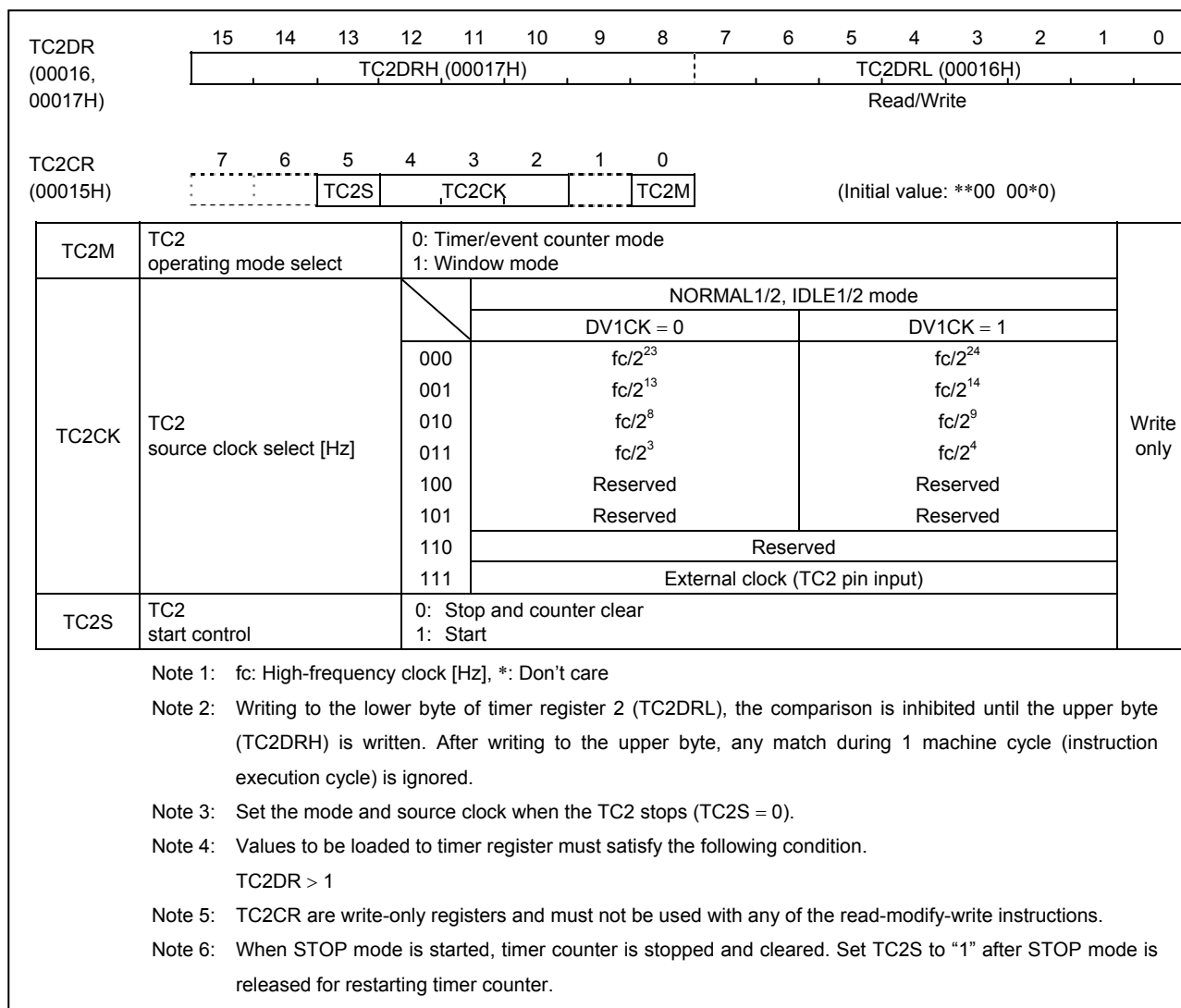


Figure 2.6.2 Timer Register 2 and TC2 Control Register

2.6.3 Function

The timer/counter 2 has three operating modes: timer, event counter and window modes.

(1) Timer mode

In this mode, the internal clock is used for counting up. The contents of TC2DR are compared with the contents of up-counter. If a match is found, a timer/counter 2 interrupt (INTTC2) is generated, and the counter is cleared. Counting up is resumed after the counter is cleared.

Table 2.6.1 Source Clock (internal clock) for Timer/Counter 2 (at $f_c = 16.0$ MHz)

TC2CK	NORMAL, IDLE mode			
	DV1CK = 0		DV1CK = 1	
	Resolution	Maximum time setting	Resolution	Maximum time setting
000	524.3 [ms]	9.54 [h]	1.05 [s]	19.1 [h]
001	512.0 [μ s]	33.6 [s]	1.02 [ms]	1.12 [min]
010	16.0 [μ s]	1.05 [s]	32.0 [μ s]	2.09 [s]
011	0.5 [μ s]	32.8 [ms]	1.0 [μ s]	65.5 [ms]
100	Reserved	Reserved	Reserved	Reserved
101	Reserved	Reserved	Reserved	Reserved

Example: Sets the source clock $f_c/2^4$ [Hz] and generates an interrupt event 25 ms
(at $f_c = 16$ MHz, DV1CK = 1)

```
LDW (TC2DR), 61A8H      ; Sets TC2DR (25 ms  $\div$   $2^4/f_c = 61A8H$ )
DI
SET (EIRH).6           ; Enable INTTC2 interrupt
EI
LD (TC2CR), 00001100B  ; Selects TC2 source clock
LD (TC2CR), 00101100B  ; Starts TC2
```

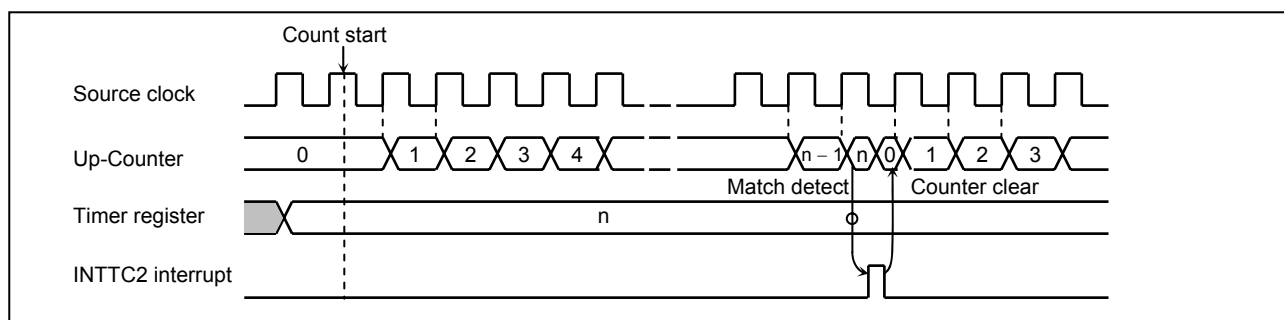


Figure 2.6.3 Timer Mode Timing Chart

(2) Event counter mode

In this mode, events are counted on the rising edge of the TC2 pin input. The contents of TC2DR are compared with the contents of the up-counter. If a match is found, an INTTC2 interrupt is generated, and the counter is cleared. The minimum pulse width to the TC2 pin is shown in Table 2.6.2. Two or more machine cycles are required for both the “H” and “L” levels of the pulse width. Match detect is executed on the falling edge of the TC2 pin. A match can not be detected and INTTC2 is not generated when the pulse is still in a falling state.

Example: Sets the event counter mode and generates an INTTC2 interrupt 640 counts later.

```
LDW (TC2DR), 640 ; Sets TC2DR
DI
SET (EIRH). 6 ; Enables INTTC2 interrupt
EI
LD (TC2CR), 00011100B ; Selects TC2 source clock
LD (TC2CR), 00111100B ; Starts TC2
```

Table 2.6.2 Timer/Counter 2 External Clock Source

	Minimum pulse width [S]
	NORMAL, IDLE mode
“H” width	$2^3/f_c$
“L” width	$2^3/f_c$

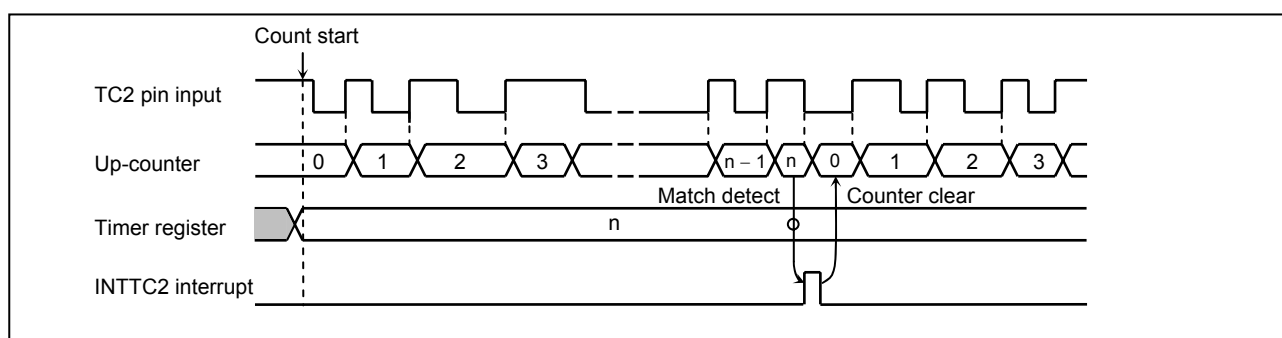


Figure 2.6.4 Event Counter Mode Timing Chart

(3) Window mode

In this mode, counting up performed on the rising edge of an internal clock during TC2 external pin input (window pulse) is "H" level. The contents of TC2DR are compared with the contents of up-counter. If a match found, an INTTC2 interrupt is generated, and the up-counter is cleared.

The maximum applied frequency (TC2 input) must be considerably slower than the selected internal clock.

Example: Generates an interrupt, inputting "H" level pulse width of 120 ms or more.

(at $f_c = 16.0$ MHz, $DV1CK = 1$)

```
LDW (TC2DR), 0075H ; Sets TC2DR (120 ms ÷ 214/fc = 0075H)
DI
SET (EIRH). 6 ; Enables INTTC2 interrupt
EI
LD (TC2CR), 00000101B ; Selects TC2 source clock
LD (TC2CR), 00100101B ; Starts TC2
```

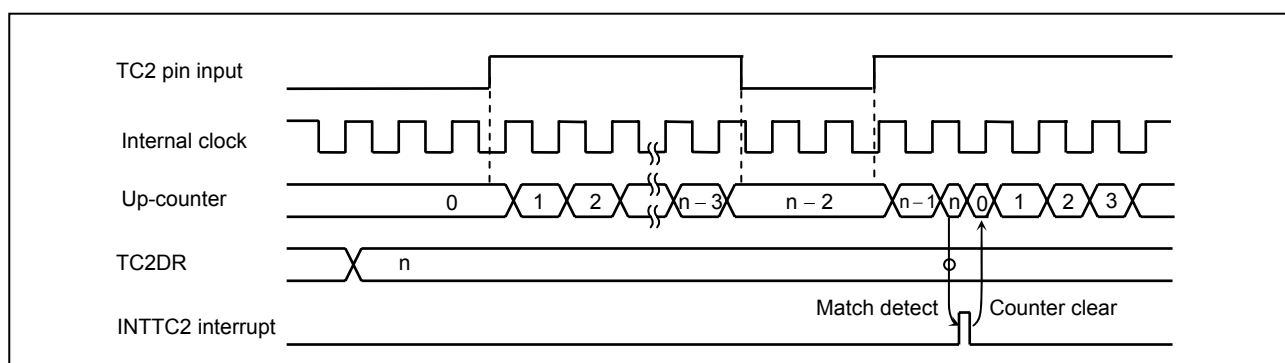


Figure 2.6.5 Window Mode Timing Chart

2.7 8-Bit Timer/Counter3 (TC3B)

2.7.1 Configuration

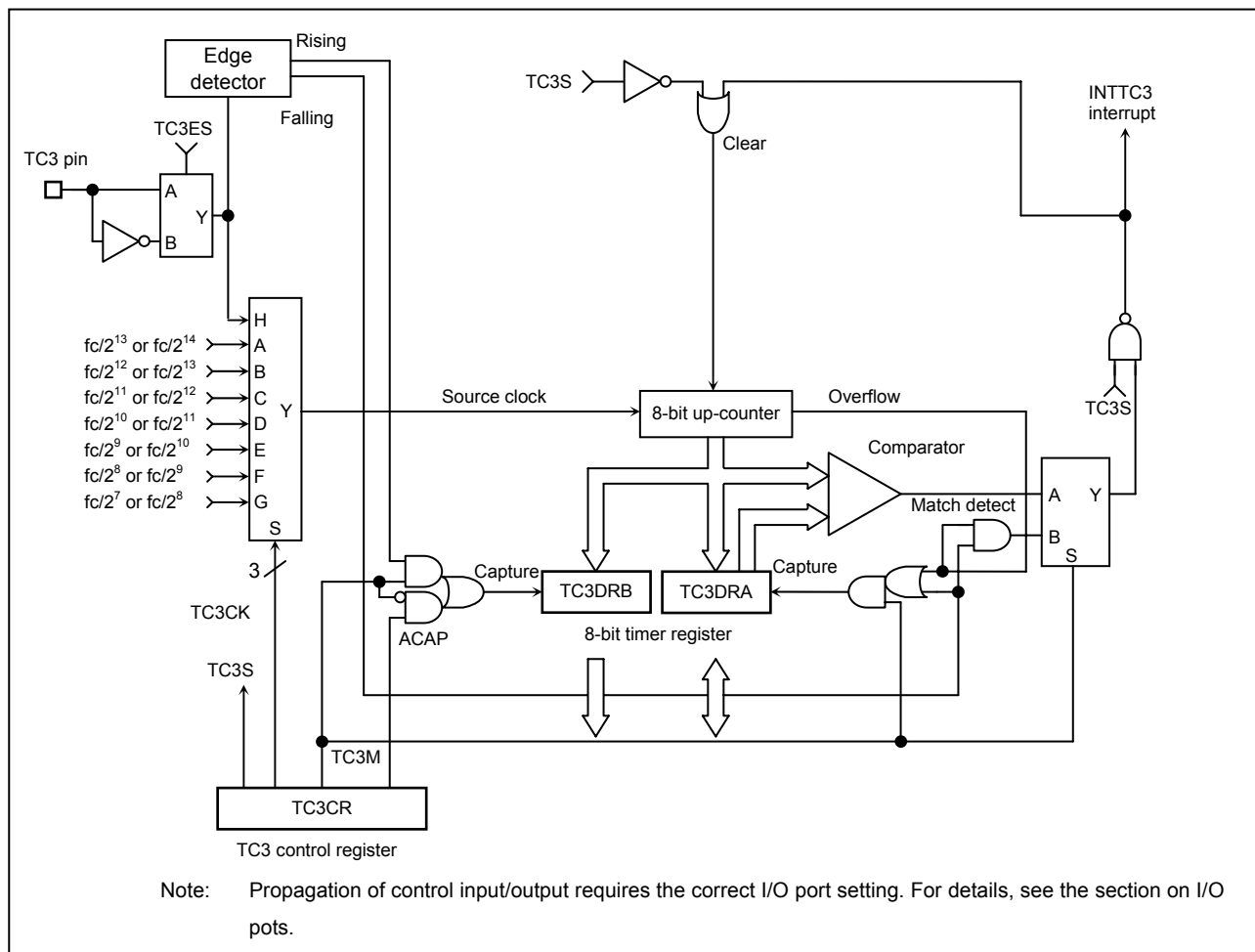


Figure 2.7.1 Timer/Counter 3 (TC3)

2.7.2 Control

The timer/counter 3 is controlled by a timer/counter 3 control register (TC3CR) and two 8-bit timer registers (TC3DRA and TC3DRB) and port multiplex control register (PMPXCR).

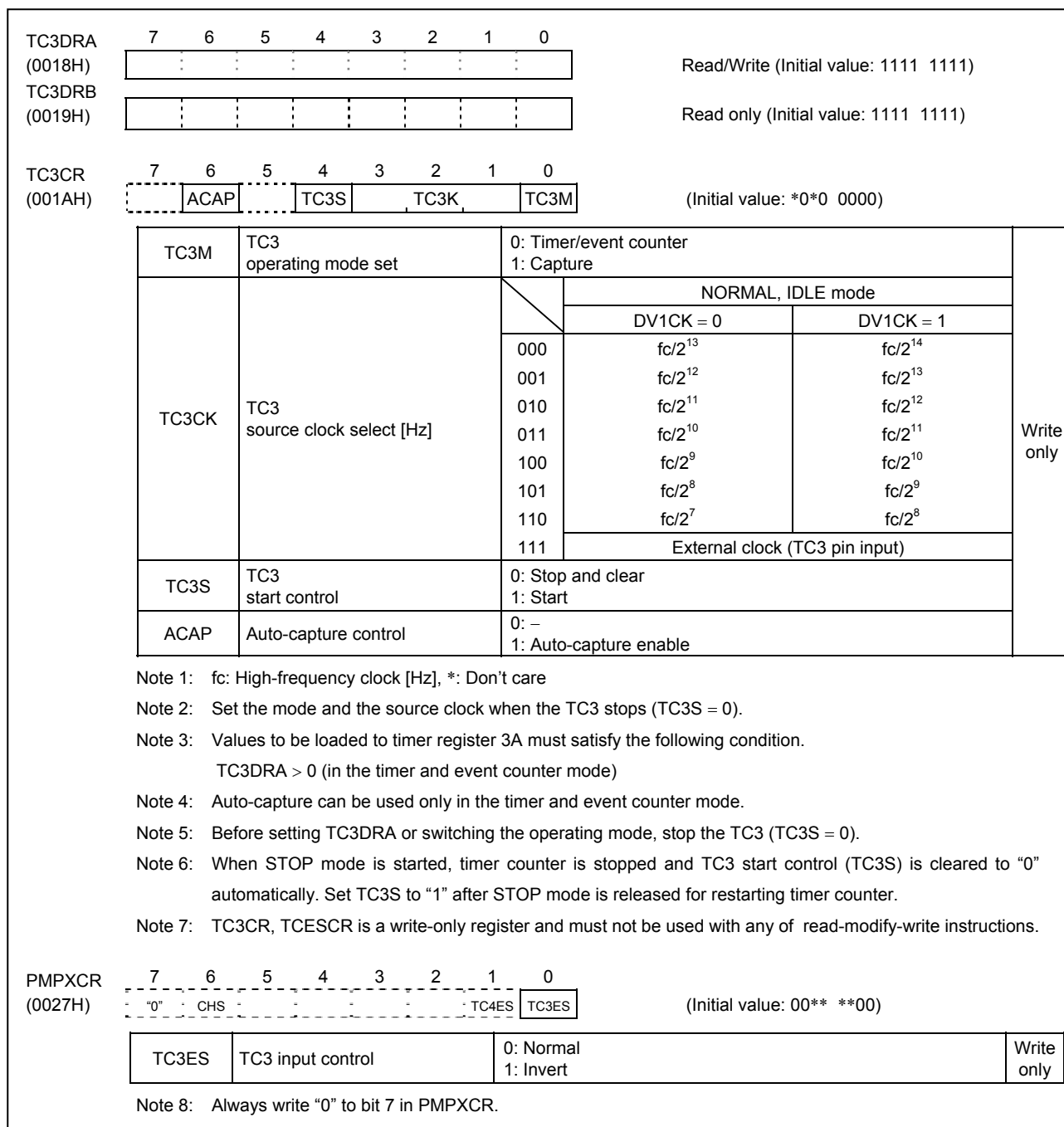


Figure 2.7.2 Timer Register 3 and TC3 Control Register

2.7.3 Function

The timer/counter 3 has three operating modes: timer, event counter, and capture mode.

When it is used in the capture mode, the noise rejection time of TC3 pin input can be set by remote control receive control register.

(1) Timer mode

In this mode, the internal clock is used for counting up. The contents of TC3DRA are compared with the contents of up-counter. If a match is found, a timer/counter 3 interrupt (INTTC3) is generated, and the up-counter is cleared. The current contents of up-counter are loaded into TC3DRB by setting ACAP (bit6 in TC3CR) to "1" (Auto-capture function).

The contents of up-counter can be easily confirmed by executing the read instruction (RD instruction) of TC3DRB. Loading the contents of up-counter is not synchronized with counting up. The contents of over flow (FFH) and 00H can not be loaded correctly. It is necessary to consider the count cycle.

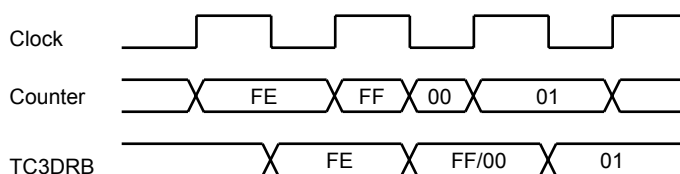


Table 2.7.1 Source Clock (internal clock) for Timer/Counter 3 (Example: at $f_c = 16.0$ MHz)

TC3CK	NORMAL, IDLE mode			
	DV1CK = 0		DV1CK = 1	
	Resolution [μ s]	Maximum setting time [ms]	Resolution [μ s]	Maximum setting time [ms]
000	512	130.6	1024	261.1
001	256	65.3	512	130.6
010	128	32.6	256	65.3
011	64	16.3	128	32.6
100	32	8.2	64	16.3
101	16	4.1	32	8.2
110	8	2.0	16	4.1

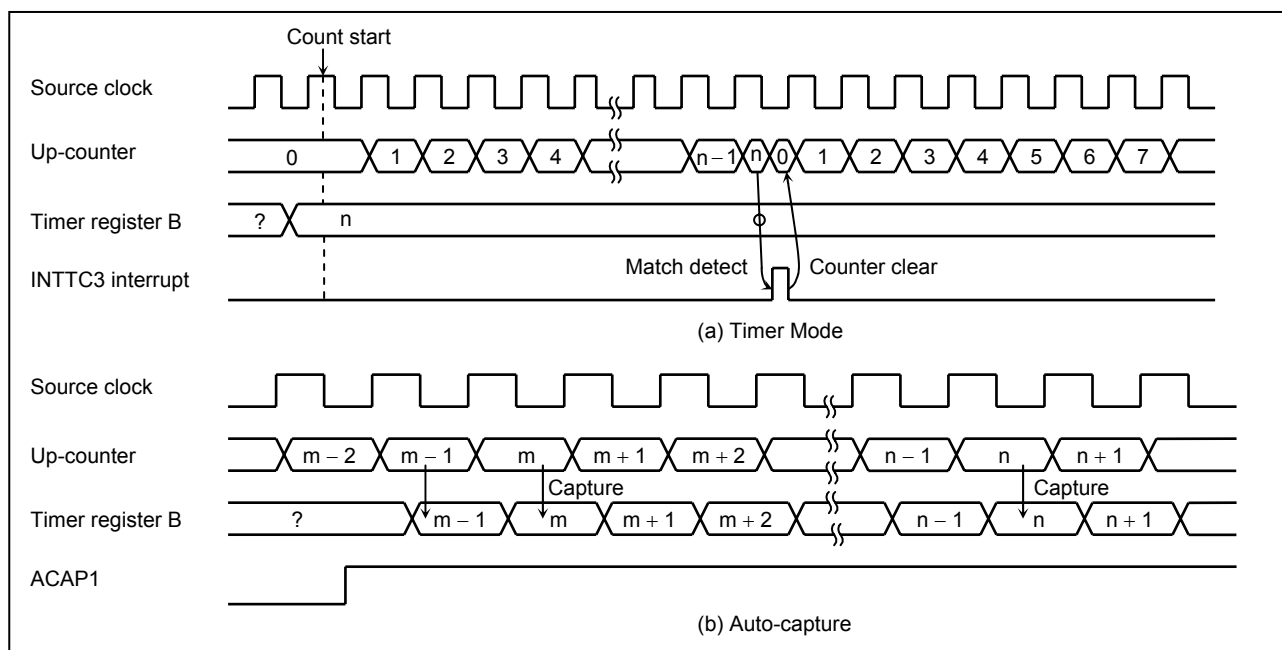


Figure 2.7.3 Timer Mode Timing Chart

(2) Event counter mode

In this mode, the TC3 pin input pulses are used for counting up. Either the rising or falling edge can be selected with TC3ES (bit 0 in PMPXCR). The contents of TC3DRA are compared with the contents of the up-counter. If a match is found, an INTTC3 interrupt is generated and the counter is cleared. Match detect is executed on the falling edge of the TC3 pin. A match can not be detected, and INTTC3 is not generated when the pulse is still in a falling state.

The maximum applied frequency is shown in Table 2.7.2. Two or more machine cycles are required for both the high and low levels of the pulse width.

The current contents of up-counter are loaded into TC3DRB by setting ACAP (bit 6 in TC3CR) to "1" (Auto-capture function).

The contents of up-counter can be easily confirmed by executing the read instruction (RD instruction) of TC3DRB. Loading the contents of up-counter is not synchronized with counting up. The contents of over flow (FFH) and 00H can not be loaded correctly. It is necessary to consider the count cycle.

Example: Generates an interrupt every 0.5 s, inputting 50 Hz pulses to the TC3 pin.

```
LD (TC3CR), 00001110B ; Sets TC3 mode and source clock
LD (TC3DRA), 19H ; 0.5 s ÷ 1/50 = 25 = 19H
LD (TC3CR), 00011100B ; Starts TC3
```

Table 2.7.2 Source Clock (External Clock) for Timer/Counter

	Minimum applied frequency [Hz]
	NORMAL, IDLE Mode
"H" width	$2^2/f_c$
"L" width	$2^2/f_c$

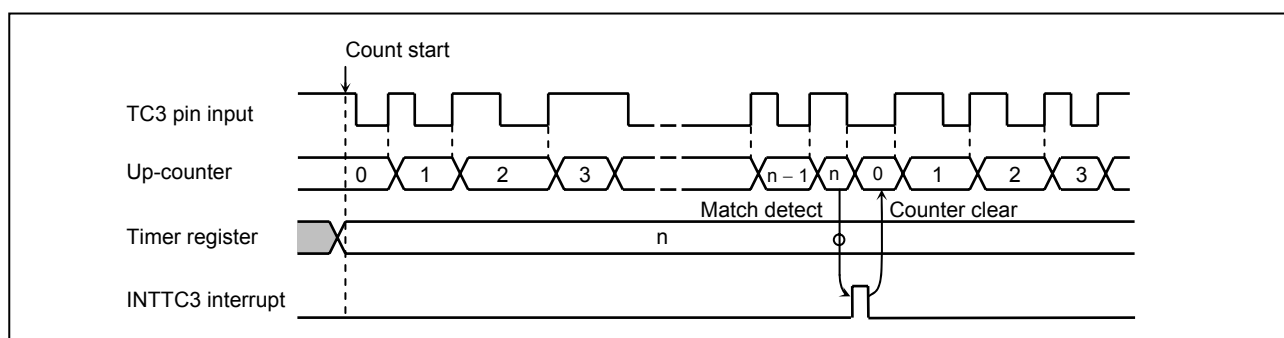


Figure 2.7.4 Event Counter Mode Timing Chart

(3) Capture mode

In this mode, the pulse width, period and duty of the TC3 pin input are measured in this mode, which can be used in decoding the remote control signals or distinguishing AC 50/60 Hz, etc. The TC3 pin input can have its polarity changed between normal and inverse by using the TC3ES Register.

a. If TC3ES = "0" (non-inverting input)

Once command operation has started, the counter free-runs on an internal source clock.

When the falling edge of the TC3 pin input is detected, the counter value is loaded into TC3DRB. When the rising edge is detected, the counter value is loaded into TC3DRA, and the counter is cleared, generating an INTTC3 interrupt.

If the rising edge is detected right after command operation has started, no capture to TC3DRB and an INTTC3 interrupt occurs only on capture to TC3DRA. If a read instruction is executed for TC3DRB, the value that exists at the end of the previous capture (immediately after a reset, "FF") is read.

b. If TC3ES = "1" (inverse input)

Once command operation has started, the counter free-runs on an internal clock.

When the rising edge of the TC3 pin input is detected, the counter value is loaded into TC3DRB. When the falling edge is detected, the counter value is loaded into TC3DRA, and the counter is cleared, generating an INTTC3 interrupt.

If the falling edge is detected right after command operation has started, the counter value is not captured into TC3DRB and an INTTC3 interrupt occurs only on capture to TC3DRA. If a read instruction is executed for TC3DRB, the value that exists at end of the previous capture (immediately after a reset, "FF") is read.

The minimum acceptable input pulse width is equal to the length of one source clock period selected by TC3CR <TC3CK>.

Table 2.7.3 TC3INV-Based Capture Input Edges

TC3ES	Capture into TC3DRB	Capture into TC3DRA	INTTC3 interrupt
"0" (non-inverting input)	Falling edge		Rising edge
"1" (inverting input)	Rising edge		Falling edge

Note: Capture of the TC3 pin input requires at least 1 cycle of the selected source clock.

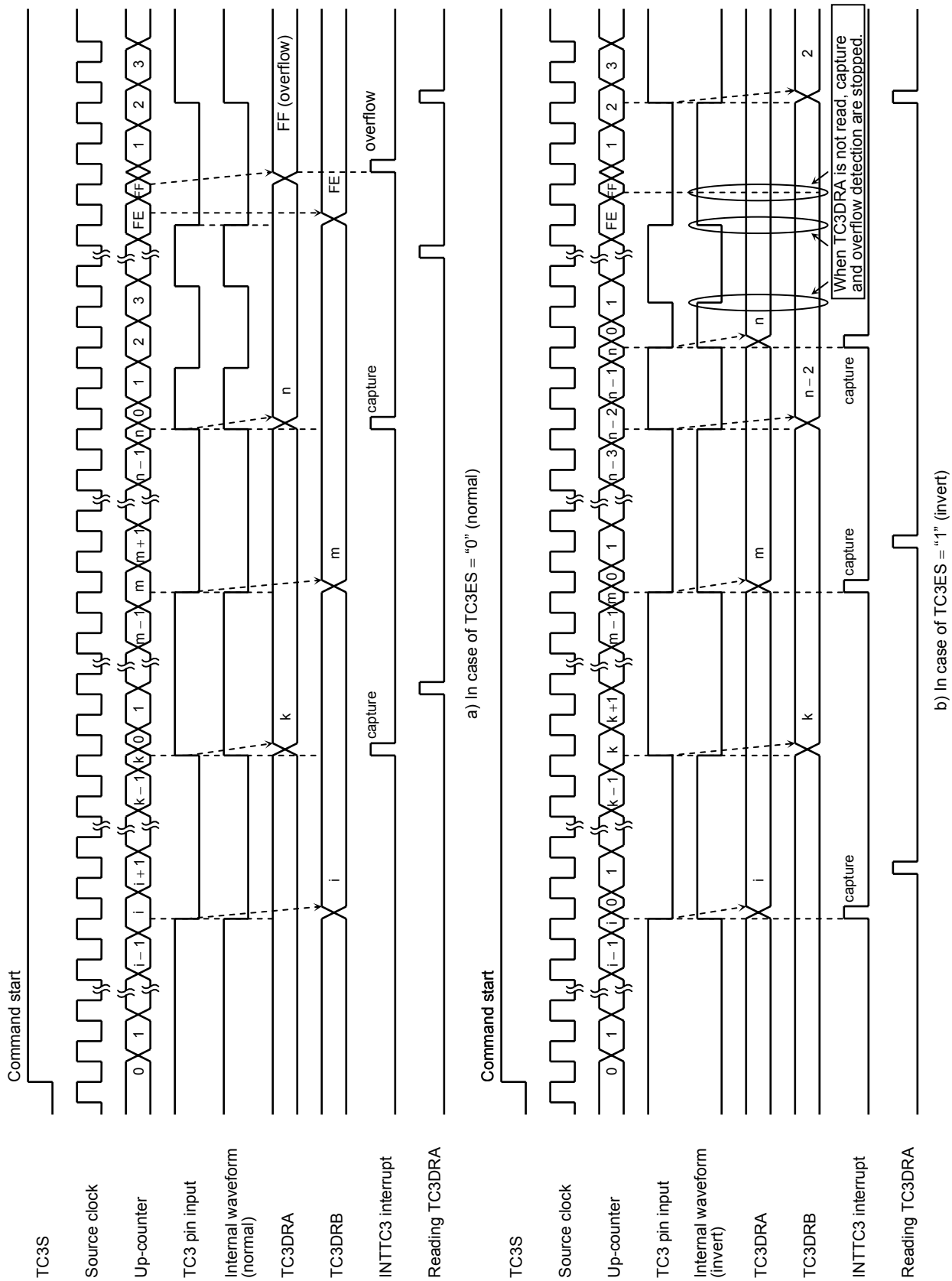


Figure 2.7.5 Capture Mode Timing Chart

The edge of TC3 pin input is detected in the remote control receive circuit with noise rejection. The remote control receive circuit is controlled by the remote control receive control register (RCCR). The remote control receive status register (RCSR) can monitor the polarity selection and noise rejection circuit.

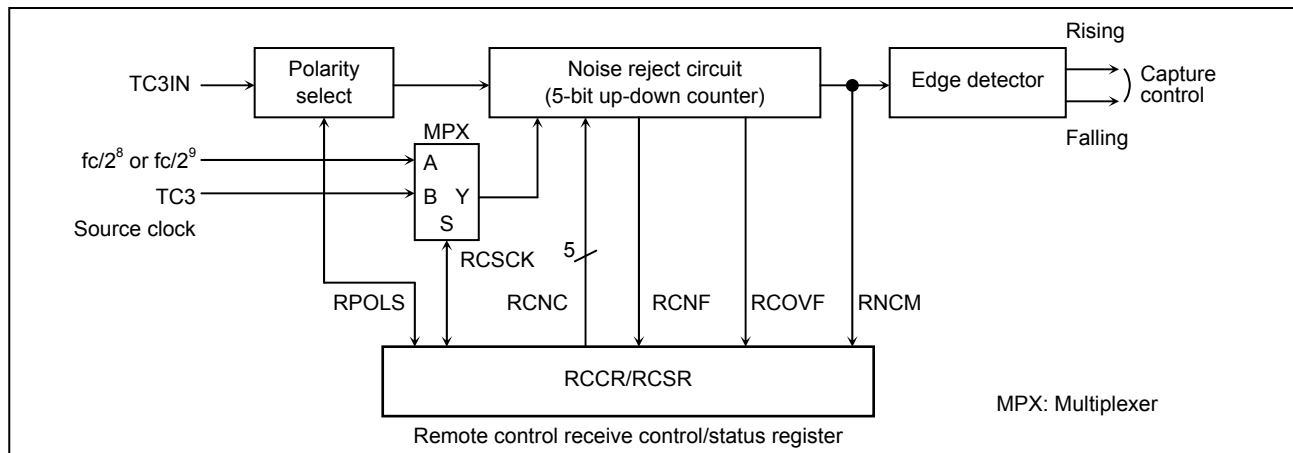


Figure 2.7.6 Remote Control Receiving Circuit

RCCR (00026H)		RCEN	RPOLS	RCSCK	RCNC		(Initial value: 0001 1111)
RCNC	Noise reject time select $02H \leq RCNC \leq 1FH$	(Source clock) \times (RCNC - 1) [s]					Write only
RCSCK	Noise reject circuit Source clock select	NORMAL, IDLE mode				R/W	
		DV1CK = 0	DV1CK = 1				
0	$2^8/fc$	$2^9/fc$					
1	TC3CK		Note 2				
RPOLS	Remote control signal polarity select	0: Positive 1: Negative					
RCEN	Remote control receive circuit operation control	0: Disable 1: Enable					Write only

Note 1: Set RPOLS and RCSCK when the timer/counter stops (TC3S = 0)

Note 2: Source clock of timer/counter 3

Note 3: fc: High-frequency clock [Hz], *: Don't care

Note 4: RCCR includes a write-only register and must not be used with any of read-modify-write instructions.

Note 5: Values to be loaded to RCNC must satisfy the following condition. $02 \leq RCNC \leq 1F$

RCSR (00026H)		RCNF	RPOLS	RCSCK	RCOVF	RNCM	(Initial value: 0000 0***)
RNCM	Remote control signal monitor after noise rejecter	0: Low level 1: High level					Read only
RCOVF	Noise reject circuit Overflow flag	0: Signal and definition by overwriting the noise reject time RCNC 1: Overflow					Read only
RCSCK	Noise reject circuit Source clock select	NORMAL, IDLE mode				R/W	
		DV1CK = 0	DV1CK = 1				
0	$2^8/fc$	$2^9/fc$					
1	TC3CK		Note 2				
RPOLS	Remote control signal polarity select	0: Positive 1: Negative					
RCNF	Remote control signal monitor after noise rejecter	0: Without noise 1: With noise					Read only

Note 1: Reading out the register RCSR resets RCNF and RCOVF.

Note 2: Source clock of timer/counter 3

Note 3: When a 5-bit up-down counter counts down to "0" after counting up, the RCNF defines to be noise.

Note 4: fc: High-frequency clock [Hz], *: Don't care

Figure 2.7.7 Remote Control Receive Control Register and Remote Control Receive Status Register

Table 2.7.4 Combination between The Polarity and The Edge Selection

RPOLS	TC3 pin input pulse (Interrupt occurrence is shown as allow.)	Measurement
0		
1		

Note: When TC3CK is used in RCSCK, do not select an external clock to the TC3CK.

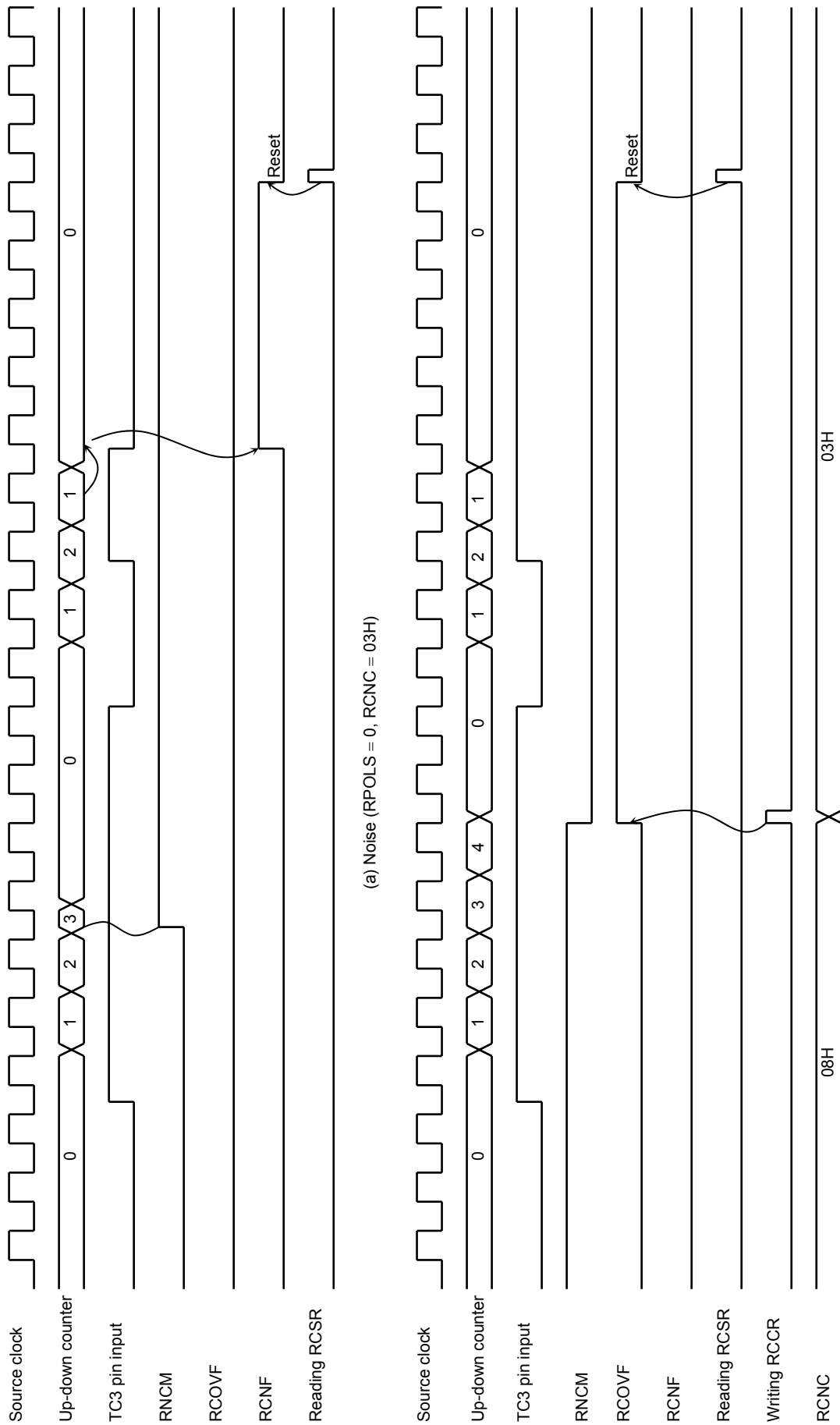


Figure 2.7.8 Remote Control Receive Circuit Timing Chart

2.8 8-Bit Timer/Counter 4 (TC4)

2.8.1 Configuration

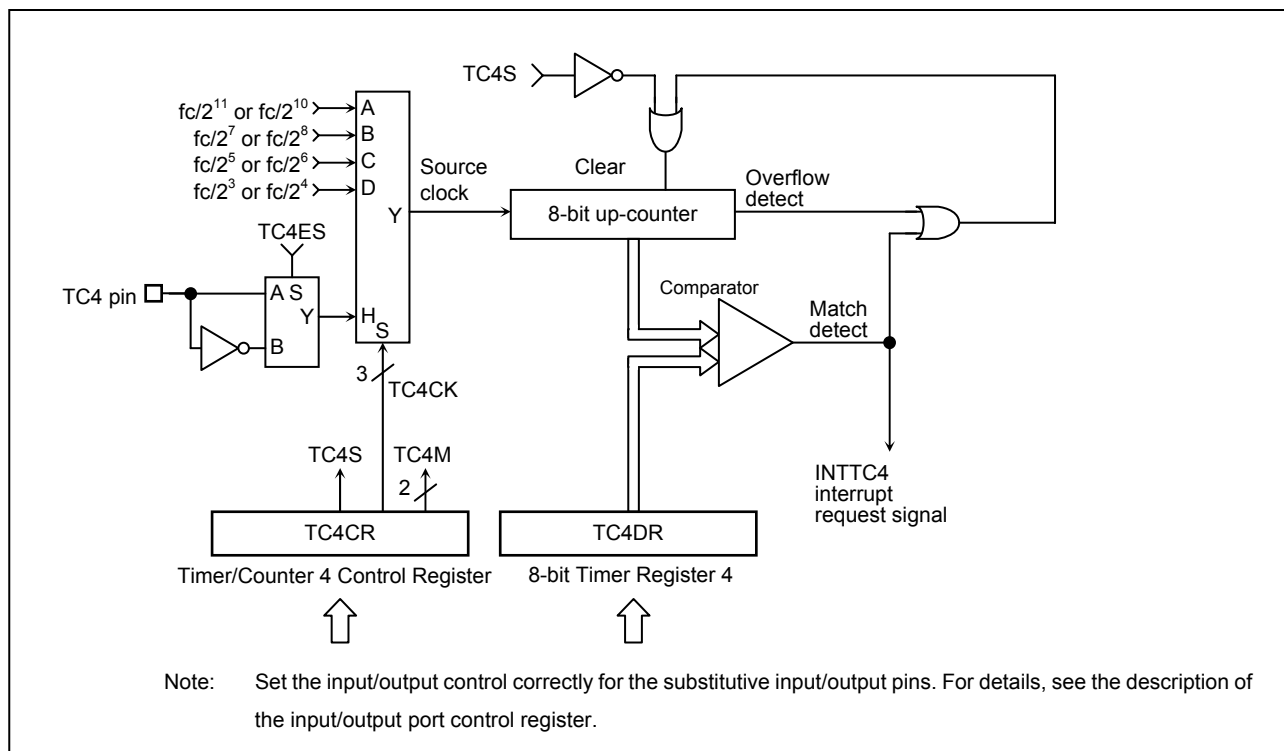


Figure 2.8.1 Timer/Counter 4 (TC4)

2.8.2 Control

The timer/counter 4 is controlled by a timer/counter 4 control register (TC4CR) and an 8-bit timer register 4 (TC4DR).

TC4DR (0001BH)	7	6	5	4	3	2	1	0	Write only (Initial value: 1111 1111)	
TC4CR (0001CH)	7	6	5	4	3	2	1	0	Write only (Initial value: **00 0000)	
			TC4S			TC4CK		TC4M		
TC4S	TC4 start control		00: Timer/event counter mode 01: Reserved 10: Reserved 11: Reserved							
TC4CK	TC4 source clock select [Hz] (Note 4)	NORMAL, IDLE mode		R/W						
		DV1CK = 0							DV1CK = 1	
		000	$fc/2^{11}$						$fs/2^{12}$	–
		001	$fc/2^7$						$fs/2^8$	–
		010	$fc/2^5$						$fs/2^6$	–
		011	$fc/2^3$						$fs/2^4$	–
		100	Reserved						Reserved	–
		101	Reserved						Reserved	–
110	Reserved	Reserved	–							
111	External clock (TC4 pin input)									
TC4M	TC4 operating mode select		00: Timer/event counter mode 01: Reserved 10: Reserved 11: Reserved							

Note 1: fc: High-frequency clock [Hz], *, Don't care

Note 2: Values to be loaded to the timer register must satisfy the following condition. $1 \leq TC4DR \leq 255$

Note 3: When the TC4 is started (TC4S = 0 → 1) or disabled (TC4S = 1 → 0) or while the TC4 is operating (TC4S = 1 → 1), do not write to TC4M and TC4CK in TC4CR. If these registers are selected/changed during these operations, counting up is not performed properly.

Note 4: When STOP mode is started, timer counter is stopped and cleared. Set TC4S to "1" after STOP mode is released for restarting timer counter.

Note 5: Undefined values are read from bits 6 and 7 of TC4CR.

Note 6: Do not change TC4DR while the TC4 is operating.

PMPXCR (00027H)	7	6	5	4	3	2	1	0	(Initial value: 00** **00)
	"0"	CHS					TC4ES	(TC3ES)	
TC4ES	TC4 edge select		0: Rising edge 1: Falling edge					Write only	

Note 1: TC4CR, TC4DR and PMPXCR are write only register and must not be used with any of the read-modify-write instructions such as SET, CLR, etc.

Figure 2.8.2 Timer Register 4 and TC4 Control Register

2.8.3 Function

The timer/counter 4 has two operating modes: timer, event counter mode.

(1) Timer mode

In this mode, the internal clock is used for counting up. The contents of TC4DR are compared with the contents of up-counter. If a match is found, an INTTC4 interrupt is generated and the up-counter is cleared to "0". Counting up resumes after the up-counter is cleared.

Table 2.8.1 Source Clock (internal clock) for Timer/Counter 4 (Example: at $f_c = 16.0$ MHz)

TC4CK	NORMAL, IDLE mode			
	DV1CK = 0		DV1CK = 1	
	Resolution [μ s]	Maximum setting time [ms]	Resolution [μ s]	Maximum setting time [ms]
000	128.0	32.6	256.0	65.3
001	8.0	2.0	16.0	4.1
010	2.0	0.510	4.0	1.0
100	0.5	0.128	1.0	0.255

(2) Event counter mode

In this mode, the TC4 pin input (external clock) pulse is used for counting up. Either the rising or falling edge can be selected with TC4ES (bit 1 PMPXCR). The contents of TC4DR are compared with the contents of the up-counter. If a match is found, an INTTC4 interrupt is generated and the counter is cleared. The maximum applied frequency is shown Table 2.8.2. Two or more machine cycles are required for both the high and low level of the pulse width.

Note: The event counter mode can only be used in NORMAL or IDLE mode.

Table 2.8.2 Timer/Counter 4 External Clock Source

	Minimum input pulse width [s]
	NORMAL1, IDLE1 mode
"H" width	$2^3/f_c$
"L" width	$2^3/f_c$

2.9 Serial Bus Interface (SBI-ver. D)

The TMP88CS34/CP34 has a 1-channel serial bus interface which employs a clocked-synchronous 8-bit serial bus interface and an I²C bus (a bus system by Philips). The serial bus interface pins are selectively used as either channel 0 or channel 1.

The serial interface is connected to external devices through P35 (SDA0)/P52 (SDA1) and P34 (SCL0)/P51 (SCL1) in the I²C bus mode; and through P53 ($\overline{\text{SCK1}}$), P52 (SO1) and P51 (SI1) in the clocked-synchronous 8-bit SIO mode.

The serial bus interface pins are also used for the P3/P5 port. When used for serial bus interface pins, set the P3/P5 output latches of these pins to "1". When not used as serial bus interface pins, the P3/P5 port is used as a normal I/O port.

Note 1: When P3 and P5 is used as serial bus interface pins, P35, P34, P51 and P50 should be set as a sink open drain output by clearing PSELCR to "0".

Note 2: The I²C of TMP88CS34/CP34 can be used only in the Standard mode of I²C. The Fast mode and the High Speed mode can not be used.

2.9.1 Configuration

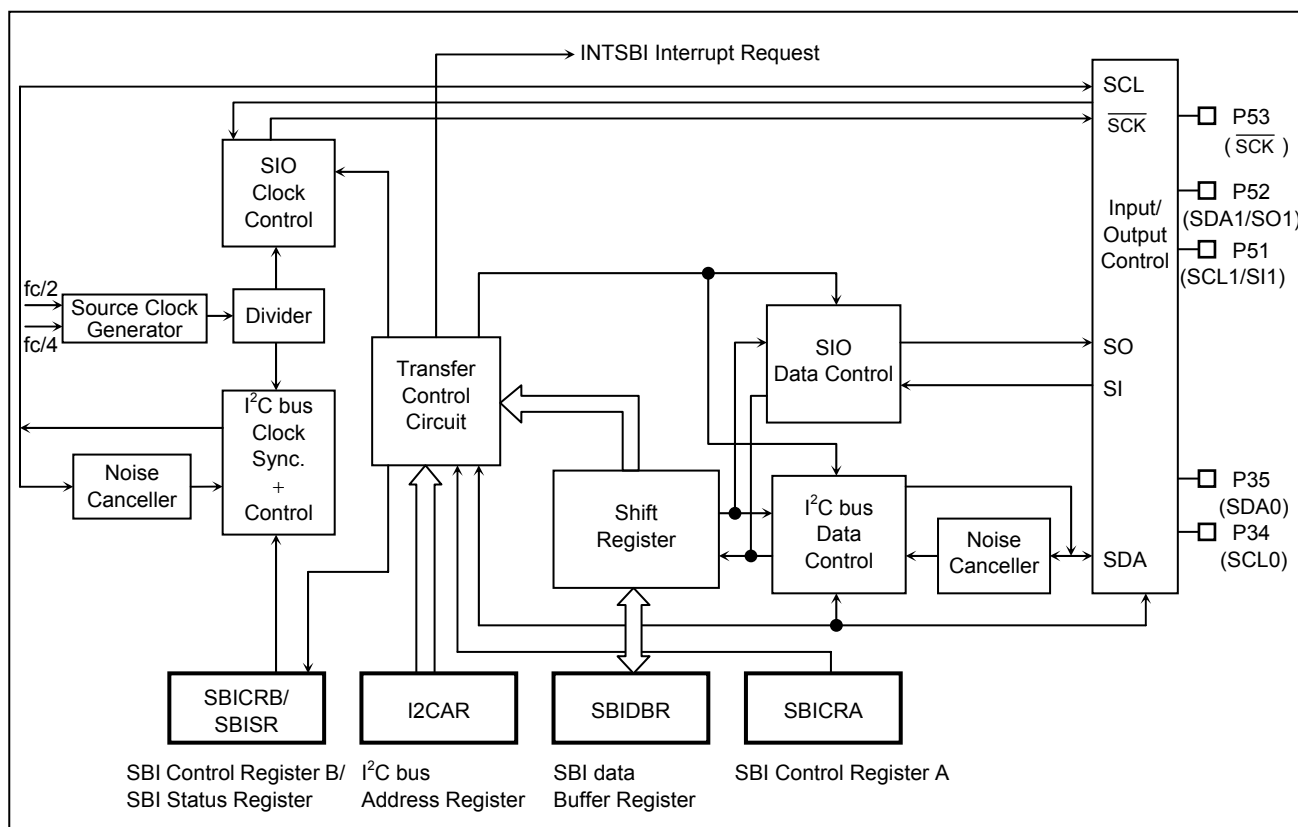


Figure 2.9.1 Serial Bus Interface (SBI)

2.9.2 Control

The following registers are used for control the serial bus interface and monitor the operation status.

- Serial bus interface control register A (SBICRA)
- Serial bus interface control register B (SBICRB)
- Serial bus interface data buffer register (SBIDBR)
- I²C bus address register (I2CAR)
- Serial bus interface status register A (SBISRA)
- Serial bus interface status register B (SBISRB)
- Serial clock source control register (SCCRB)
- Serial clock control status register (SCSR)

The above registers differ depending on a mode to be used. Refer to Section “2.9.7 I²C bus mode control” and “2.9.9 Clocked-synchronous 8-bit SIO mode control”.

2.9.3 Serial Clock Source Control

A serial bus interface circuit can reduce the power consumption by stopping a serial clock generator.

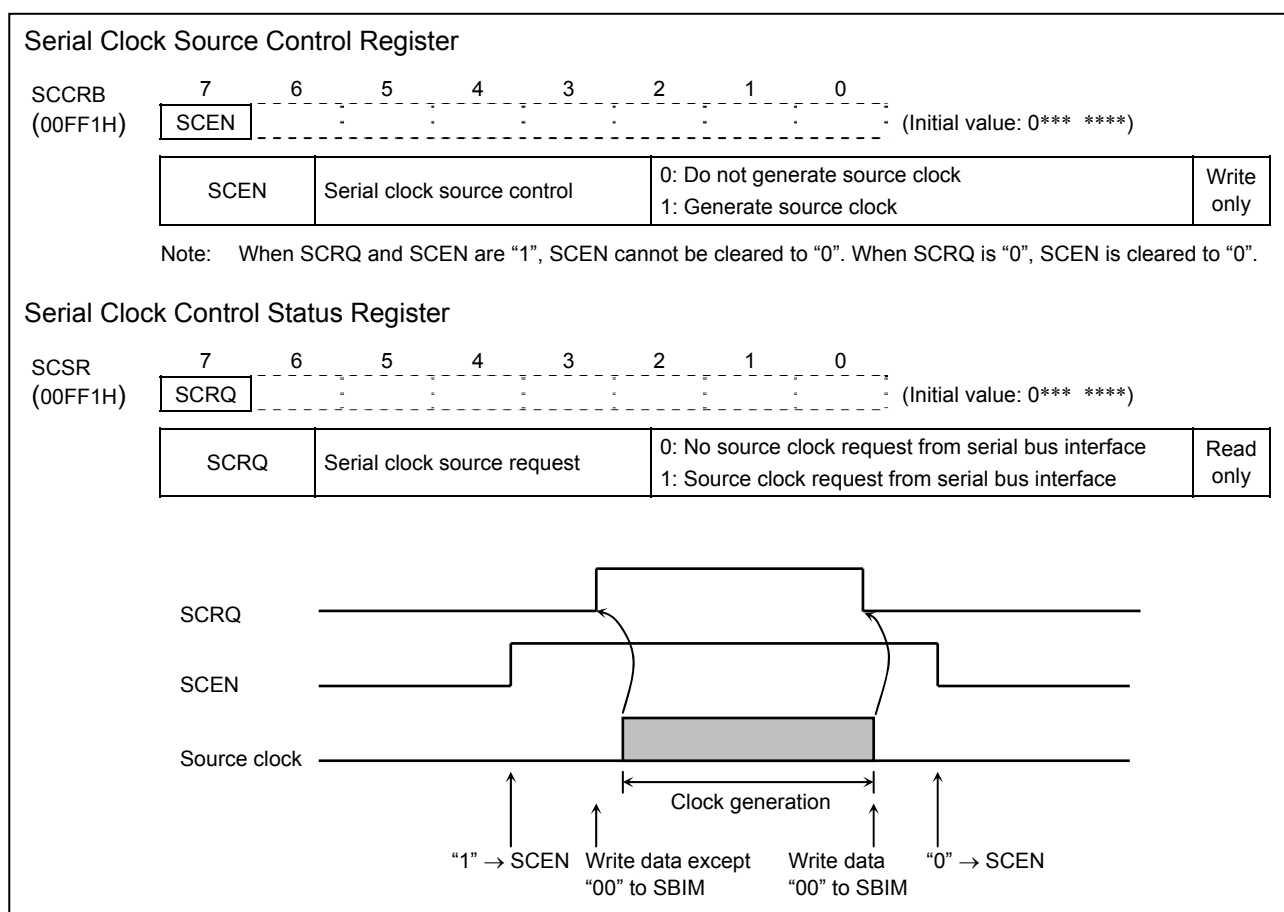


Figure 2.9.2 Serial Clock Source

2.9.4 Channel Select

A serial bus interface circuit can select I/O pin when a serial bus interface is used for I²C bus mode.

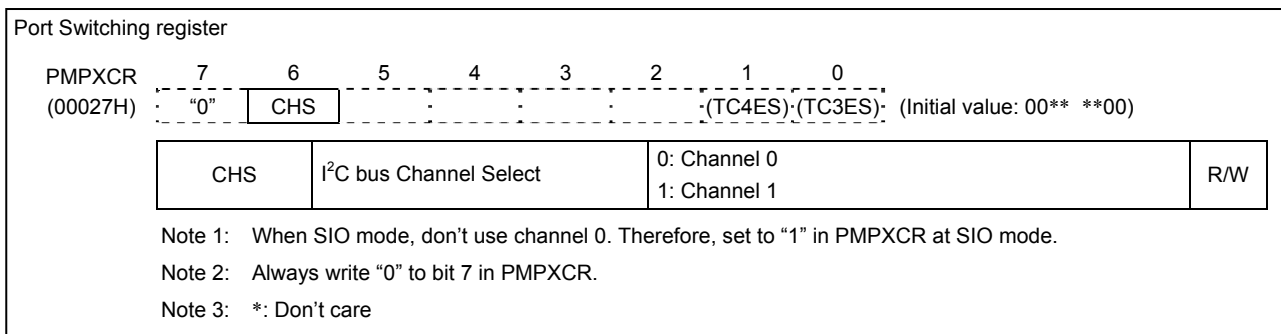


Figure 2.9.3 Channel Select

2.9.5 Software Reset

A serial bus interface circuit has a software reset function, when a serial bus interface circuit is locked by an external noise, etc.

To occur software reset, write "01", "10" into the SWRST (bit 1, 0 in SBICRB). During software reset, the SWRMON (bit 0 in SBISRA) is clear to "0".

2.9.6 The Data Format in The I²C bus Mode

The data format when using the TMP88CS34/CP34 in the I²C bus mode are shown in as below.

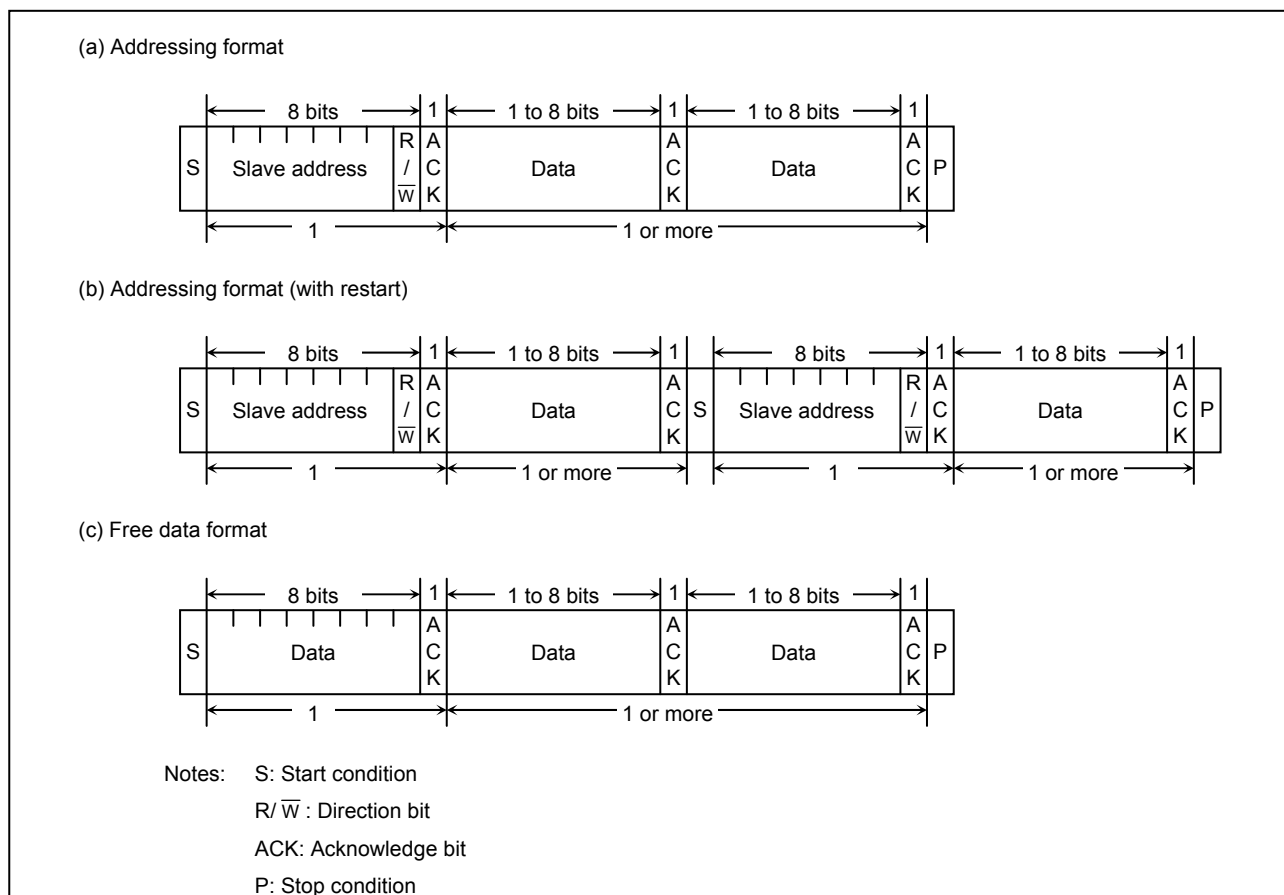


Figure 2.9.4 Data Format in I²C Bus Mode

2.9.7 I²C Bus Mode Control

The following registers are used to control the serial bus interface (SBI) and monitor the operation status in the I²C bus mode.

Serial Bus Interface Control Register A								
SBICRA (00020H)	7	6	5	4	3	2 1 0		
	BC		ACK		SCK		(Initial value: 0000 *000)	
BC	Number of transferred bits	BC	ACK = 0		ACK = 1		Write only	
			Number of Clock	Bits	Number of Clock	Bits		
			000	8	8	9		8
			001	1	1	2		1
			010	2	2	3		2
			011	3	3	4		3
			100	4	4	5		4
			101	5	5	6		5
110	6	6	7	6				
111	7	7	8	7				
ACK	Acknowledgement mode specification	ACK	Master mode		Slave mode		R/W	
		0	Not generate a clock pulse for an acknowledgement.		Not count a clock pulse for an acknowledgement.			
		1	Generate a clock pulse for an acknowledgement.		Count a clock pulse for an acknowledgement.			
SCK	Serial clock selection (At $f_c = 16$ MHz, Output on SCL pin)	DV1CK = 0		DV1CK = 1		Write only		
		000: Reserved (Note 3)	000: Reserved (Note 3)					
		001: Reserved (Note 3)	001: Reserved (Note 3)					
		010: Reserved (Note 3)	010: 58.8 kHz					
		011: 60.6 kHz	011: 30.3 kHz					
		100: 30.7 kHz	100: 15.4 kHz					
		101: 15.5 kHz	101: 7.7 kHz					
110: 7.8 kHz	110: 3.9 kHz							
111: Reserved	111: Reserved							

Note 1: Set the BC to "000" before switching to 8-bit SIO bus mode.

Note 2: SBICRA cannot be used with any of read-modify-write instructions such as bit manipulation, etc.

Note 3: This I²C bus circuit does not support the Fast mode. It supports the Standard mode only. Although the I²C bus circuit itself allows the setting of a baud rate over 100 kbps, the compliance with the I²C specification is not guaranteed in that case.

Serial Bus Interface Data Buffer Register								
SBIDBR (00021H)	7	6	5	4	3	2	1 0	
							(Initial value: **** ***)	R/W

Note 1: For writing transmitted data, start from the MSB (bit 7).

Note 2: The data which was written into SBIDBR cannot be read, since a write data buffer and a read buffer are independent in SBIDBR. Therefore, SBIDBR cannot be used with any of read-modify-write instructions such as bit manipulation, etc.

I ² C bus Address Register								
I2CAR (00022H)	7	6	5	4	3	2	1 0	
	Slave address						ALS	(Initial value: 0000 0000)
	SA6	SA5	SA4	SA3	SA2	SA1	SA0	
SA	Slave address selection							Write only
ALS	Address recognition mode specification							
	0: Slave address recognition							Write only
	1: Non slave address recognition							

Note 1: I2CAR is write-only register and cannot be used with any of read-modify-write instruction such as bit manipulation, etc.

Note 2: Do not set I2CAR to "00H" to avoid the incorrect response of acknowledgment in slave mode. If "00H" is set to I2CAR as the Slave Address and received "01H" in slave mode, the device might transmit the acknowledgement incorrectly.

Figure 2.9.5 Serial Bus Interface Control Register A, Serial Bus Interface Data Buffer Register and I²C Bus Address Register In The I²C Bus Mode

Serial Bus Interface Control Register B								
SBICRB (00023H)	7	6	5	4	3	2	1 0	(Initial value: 0001 0000)
	MST	TRX	BB	PIN	SBIM		SWRST1 SWRST0	
	MST	Master/Slave selection			0: Slave 1: Master		Write only	
	TRX	Transmitter/Receiver selection			0: Receiver 1: Transmitter			
	BB	Start/Stop generation			0: Generate a stop condition when MST, TRX and PIN are "1". 1: Generate a start condition when MST, TRX and PIN are "1".			
	PIN	Cancel interrupt service request			0: – 1: Cancel interrupt service request			
	SBIM	Serial bus interface operating mode selection			00: Port mode (Serial bus interface output disable) 01: Clocked synchronous 8-bit SIO mode 10: I ² C bus mode 11: Reserved			
	SWRST1 SWRST0	Software reset start bit			Software reset starts by first writing "10" and next writing "01".			
<p>Note 1: Switch a mode to port after confirming that the bus is free.</p> <p>Note 2: Switch a mode to I²C bus mode or clock synchronous 8-bit SIO mode after confirming that the port is high-level.</p> <p>Note 3: SBICRB has write-only register and must not be used with any of read-modify-write instructions such as bit manipulation, etc.</p> <p>Note 4: When the SWRST (bit 1, 0 in SBICRB) is written to "01", "10", software reset (four machine cycles) is occurred. This time, control the serial bus interface and monitor the operation status registers except the SBIM (bit 3, 2 in SBICRB) and the CHS (bit 6 in PMPXCR) are reseted. Control the serial bus interface and monitor the operation status registers are SBICRA, SBICRB, SBIDBR, I2CAR, SBISRA, SBISRB, SCCRA and SCSR.</p>								
Serial Bus Interface Status Register A								
SBISRA (00020H)	7	6	5	4	3	2	1 0	(Initial value: **** ***)
				ACK			SWR MON	
	SWRMON	Software reset monitor			0: During software reset 1: – (Initial)		Read only	
Note 1: *: Don't care								
Serial Bus Interface Status Register B								
SBISRB (00023H)	7	6	5	4	3	2	1 0	(Initial value: 0001 0000)
	MST	TRX	BB	PIN	AL	AAS	AD0 LRB	
	MST	Master/Slave selection status monitor			0: Slave 1: Master		Read only	
	TRX	Transmitter/Receiver selection status monitor			0: Receiver 1: Transmitter			
	BB	Bus status monitor			0: Bus free 1: Bus busy			
	PIN	Interrupt service requests status monitor			0: Requesting interrupt service 1: Releasing interrupt service request			
	AL	Arbitration lost detection monitor			0: – 1: Arbitration lost detected			
	AAS	Slave address match detection monitor			0: Not detect slave address match or "GENERAL CALL" 1: Detect slave address match or "GENERAL CALL"			
	AD0	"GENERAL CALL" detection monitor			0: Not detect "GENERAL CALL" 1: Detect "GENERAL CALL"			
	LRB	Last Received bit monitor			0: Last receive bit is "0" 1: Last receive bit is "1"			

Figure 2.9.6 Serial Bus Interface Control Register B and Serial Bus Interface Status Register A/B in the I²C Bus Mode

(1) Acknowledgement mode specification

a. Acknowledgement mode (ACK = "1")

To set the device as an acknowledgement mode, the ACK (bit4 in SBICRA) should be set to "1". When a serial bus interface circuit is a master mode, an additional clock pulse is generated for an acknowledge signal. In a slave mode, a clock is counted for the acknowledge signal.

In the master transmitter mode, the SDA pin is released in order to receive an acknowledge signal from the receiver during additional clock pulse cycle. In the master receiver mode, the SDA pin is set to low level generation an acknowledge signal during additional clock pulse cycle.

In a slave mode, when a received slave address matches to a slave address which is set to the I2CAR or when a "GENERAL CALL" is received, the SDA pin is set to low level generating an acknowledge signal. After the matching of slave address or the detection of "GENERAL CALL", in the transmitter the SDA pin is released in order to receive an acknowledge signal from the receiver during additional clock pulse cycle. In a receiver, the SDA pin is set to low level generation an acknowledge signal during additional clock pulse cycle after the matching of slave address or the detection of "GENERAL CALL".

The Table 2.9.1 shows the SCL and SDA pins status in acknowledgement mode.

Table 2.9.1 SCL and SDA Pins Status in Acknowledgement Mode

Mode	Pin		Transmitter	Receiver
Master	SCL		An additional clock pulse is generated.	
	SDA		Released in order to receive and acknowledge signal.	Set to low level generating an acknowledge signal.
Slave	SCL		A clock is counted for the acknowledge signal.	
	SDA	When slave address matches or a general call is detected	–	Set to low level generating an acknowledge signal.
		After matching of slave address or general call	Released in order to receive an acknowledge signal.	Set to low level generating an acknowledge signal.

b. Non-acknowledgement mode (ACK = "0")

To set the device as a non-acknowledgement mode, the ACK should be cleared to "0".

In the master mode, a clock pulse for an acknowledge signal is not generated. In the slave mode, a clock for a acknowledge signal is not counted.

(2) Number of transfer bits

The BC (bits 7 to 5 in SBICRA) is used to select a number of bits for next transmitting and receiving data.

Since the BC is cleared to "000" as a start condition, a slave address and direction bit transmissions are always executed in 8 bits. Other than these, the BC retains a specified value.

(3) Serial clock

a. Clock source

The SCK (bits 2 to 0 in SBICRA) is used to select a maximum transfer frequency output from the SCL pin in the master mode. Set a communication baud rate that meets the I2C bus specification, such as the shortest pulse width of tLOW, based on the equations shown below.

Four or more machine cycles are required for both high and low levels of pulse width in the external clock which is input from SCL pin.

Note: Since the I2C of TMP88CS34/CP34 can not be used as the Fast mode and the High Speed mode, do not set SCK as the frequency that is over 100 kHz.

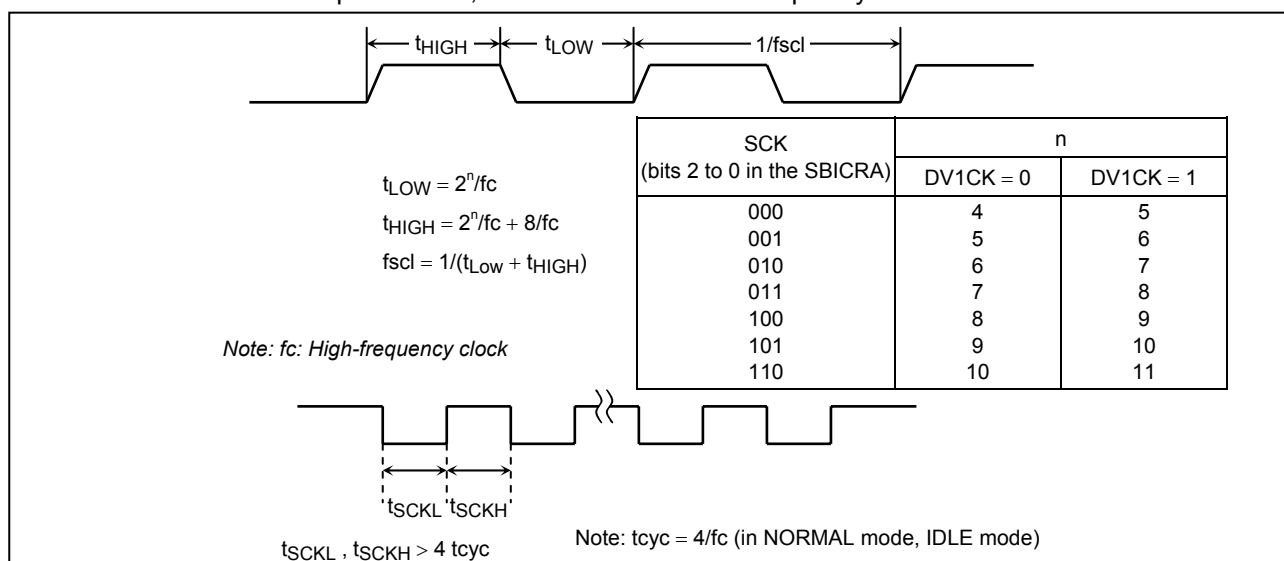


Figure 2.9.7 Clock Source

b. Clock synchronization

In the I²C bus mode, in order to drive a bus with a wired AND, a master device which pulls down a clock pulse to low will, in the first place, invalidate a clock pulse of another master device which generates a high-level clock pulse.

The serial bus interface circuit has a clock synchronization function. This function ensures normal transfer even if there are two or more masters on the same bus.

The example explains clock synchronization procedures when two masters simultaneously exist on a bus.

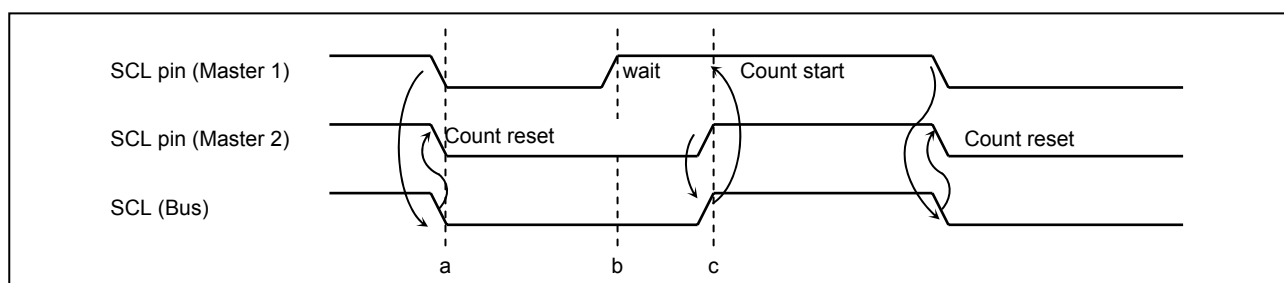


Figure 2.9.8 Clock Synchronization

As Master 1 pulls down the SCL pin to the low level at point “a”, the SCL line of the bus becomes the low level. After detecting this situation, Master 2 resets counting a clock pulse in the high level and sets the SCL pin to the low level.

Master 1 finishes counting a clock pulse in the low level at point “b” and sets the SCL pin to the high level.

pin to the high level. Since Master 2 holds the SCL line of the bus at the low level, Master 1 waits for counting a clock pulse in the high level. After Master 2 sets a clock pulse to the high level at point “c” and detects the SCL line of the bus at the high level, Master 1 starts counting a clock pulse in the high level. Then, the master, which has finished the counting a clock pulse in the high level, pulls down the SCL pin to the low level.

The clock pulse on the bus is determined by the master device with the shortest high-level period and the master device with the longest low-level period from among those master devices connected to the bus.

(4) Slave address and address recognition mode specification

When the serial bus interface circuit is used with an addressing format to recognize the slave address, clear the ALS (bit 0 in I2CAR) to “0”, and set the SA (bits 7 to 1 in I2CAR) to the slave address.

When the serial bus interface circuit is used with a free data format not to recognize the slave address, set the ALS to “1”. With a free data format, the slave address and the direction bit are not recognized, and they are processed as data from immediately after start condition.

(5) Master/slave selection

To set a master device, the MST (bit 7 in SBICRB) should be set to “1”. To set a slave device, the MST should be cleared to “0”.

When a stop condition on the bus or an arbitration lost is detected, the MST is cleared to “0” by the hardware.

(6) Transmitter/receiver selection

To set the device as a transmitter, the TRX (bit 6 in SBICRB) should be set to “1”. To set the device as a receiver, the TRX should be cleared to “0”. When data with an addressing format is transferred in the slave mode, the TRX is set to “1” by a hardware if the direction bit (R/\bar{W}) sent from the master device is “1”, and is cleared to “0” by a hardware if the bit is “0”. In the master mode, after an acknowledge signal is returned from the slave device, the TRX is cleared to “0” by a hardware if a transmitted direction bit is “1”, and is set to “1” by a hardware if it is “0”. When an acknowledge signal is not returned, the current condition is maintained.

When a stop condition on the bus or an arbitration lost is detected, the TRX is cleared to “0” by the hardware. The following table show TRX changing conditions in each mode and TRX value after changing.

Mode	Direction Bit	Conditions	TRX after Changing
Slave mode	“0”	A received slave address is the same value set to I2CAR	“0”
	“1”		“1”
Master mode	“0”	ACK signal is returned	“1”
	“1”		“0”

When a serial bus interface circuit operates in the free data format, a slave address and a direction bit are not recognized. They are handled as data just after generating a start condition. The TRX is not changed by a hardware.

(7) Start/Stop condition generation

When the BB (bit 5 in SBICRB) is "0", a slave address and a direction bit which are set to the SBIDBR are output on a bus after generating a start condition by writing "1" to the MST, TRX, BB and PIN. It is necessary to set transmitted data to the SBIDBR and set "1" to ACK beforehand.

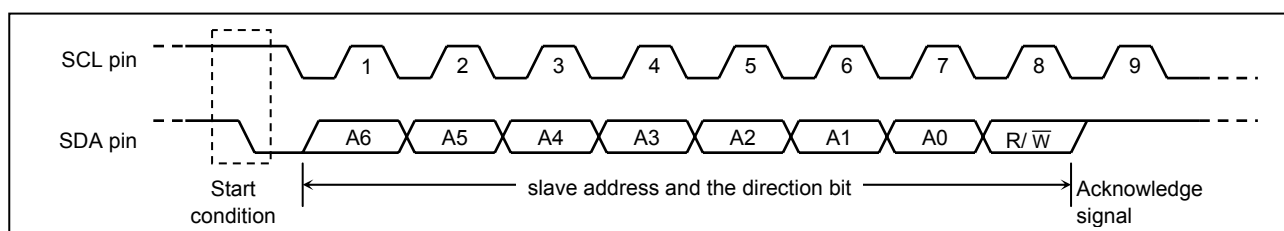


Figure 2.9.9 Start Condition Generation and Slave Address Generation

When the BB is "1", sequence of generating a stop condition is started by writing "1" to the MST, TRX and PIN, and "0" to the BB. Do not modify the contents of MST, TRX, BB and PIN until a stop condition is generated on a bus.

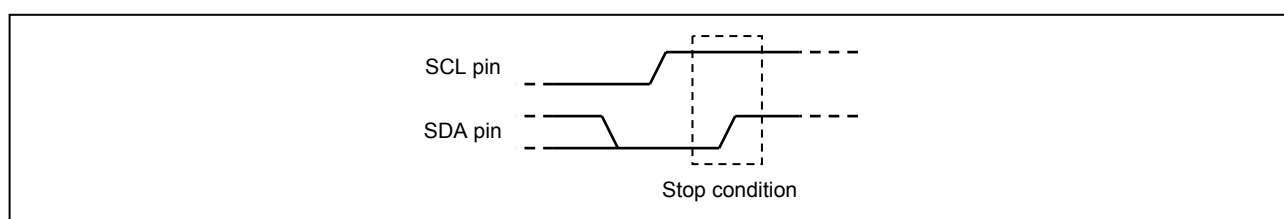


Figure 2.9.10 Stop Condition Generation

When a stop condition is generated and the SCL line on a bus is pulled-down to low level by another device, a stop condition is generated after releasing the SCL line.

The bus condition can be indicated by reading the contents of the BB (bit 5 in SBISRB). The BB is set to "1" when a start condition on a bus is detected and is cleared to "0" when a stop condition is detected.

(8) Interrupt service request and cancel

When a serial bus interface circuit is in the master mode and transferring a number of clocks set by the BC and the ACK is complete, a serial bus interface interrupt request (INTSBI) is generated.

In the slave mode, the conditions of generating INTSBI are follows:

- At the end of acknowledge signal when the received slave address matches to the value set by the I2CAR
- At the end of acknowledge signal when a "GENERAL CALL" is received
- At the end of transferring or receiving after matching of slave address or receiving of "GENERAL CALL"

When a serial bus interface interrupt request occurs, the PIN (bit 4 in SBISR) is cleared to "0". During the time that the PIN is "0", the SCL pin is pulled-down to low level.

Either writing data to SBIDBR or reading data from the SBIDBR sets the PIN to "1".

The time from the PIN being set to "1" until the SCL pin is released takes t_{LOW} .

Although the PIN (bit 4 in SBICRB) can be set to "1" by the program, the PIN can not be cleared to "0" by the program.

Note: If the arbitration lost occurs, when the slave address does not match, the PIN is not cleared to "0" even though INTSBI is generated.

(9) Serial bus interface operating mode selection

The SBIM (bit 3 and 2 in SBICRB) is used to specify a serial bus interface operation mode.

Set the SBIM to “10” in order to change a operation mode to I²C bus mode. Before changing operation mode, confirm serial bus interface pins in a high level. And switch a mode to port after confirming that a bus is free.

(10) Arbitration lost detection monitor

Since more than one master device can exist simultaneously on a bus in the I²C bus mode, a bus arbitration procedure is implemented in order to guarantee the contents of transferred data.

Data on the SDA line is used for bus arbitration of the I²C bus.

The following shows an example of a bus arbitration procedure when two master devices exist simultaneously on a bus. Master 1 and Master 2 output the same data until point “a”. After Master 1 outputs “1” and Master 2, “0”, the SDA line of a bus is wired AND and the SDA line is pulled-down to the low level by Master 2. When the SCL line of a bus is pulled-up at point “b”, the slave device reads data on the SDA line, that is data in Master 2.

Data transmitted from Master 1 becomes invalid. The state in Master 1 is called “arbitration lost”. A master device which loses arbitration releases the SDA pin and the SCL pin in order not to effect data transmitted from other masters with arbitration. When more than one master sends the same data at the first word, arbitration occurs continuously after the second word.

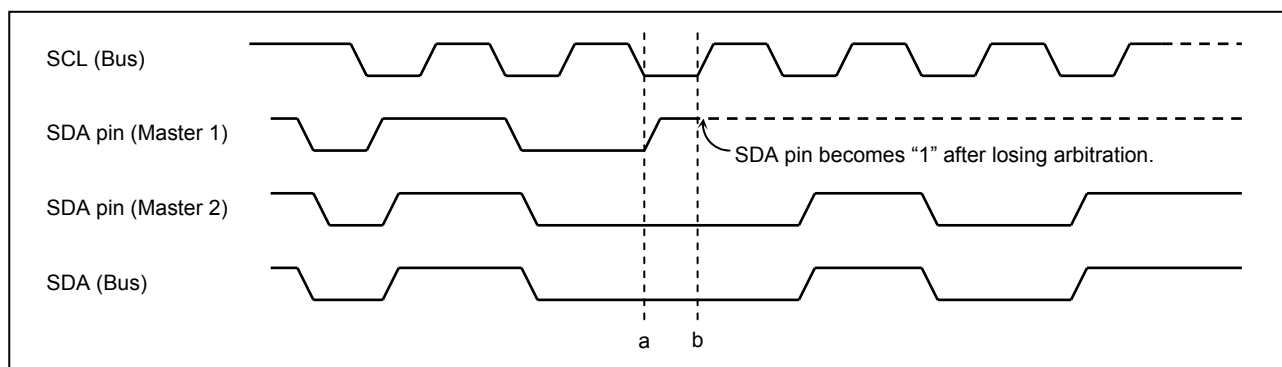


Figure 2.9.11 Arbitration Lost

The serial bus interface circuit compares levels of a SDA line of a bus with its those SDA pin at the rising edge of the SCL line. If the levels are unmatched, arbitration is lost and the AL (bit 3 in SBISRB) is set to "1".

When the AL is set to "1", the MST and TRX are cleared to "0" and the mode is switched to a slave receiver mode.

The AL is cleared to "0" by writing or reading data to or from the SBIDBR or writing data to the SBICRB.

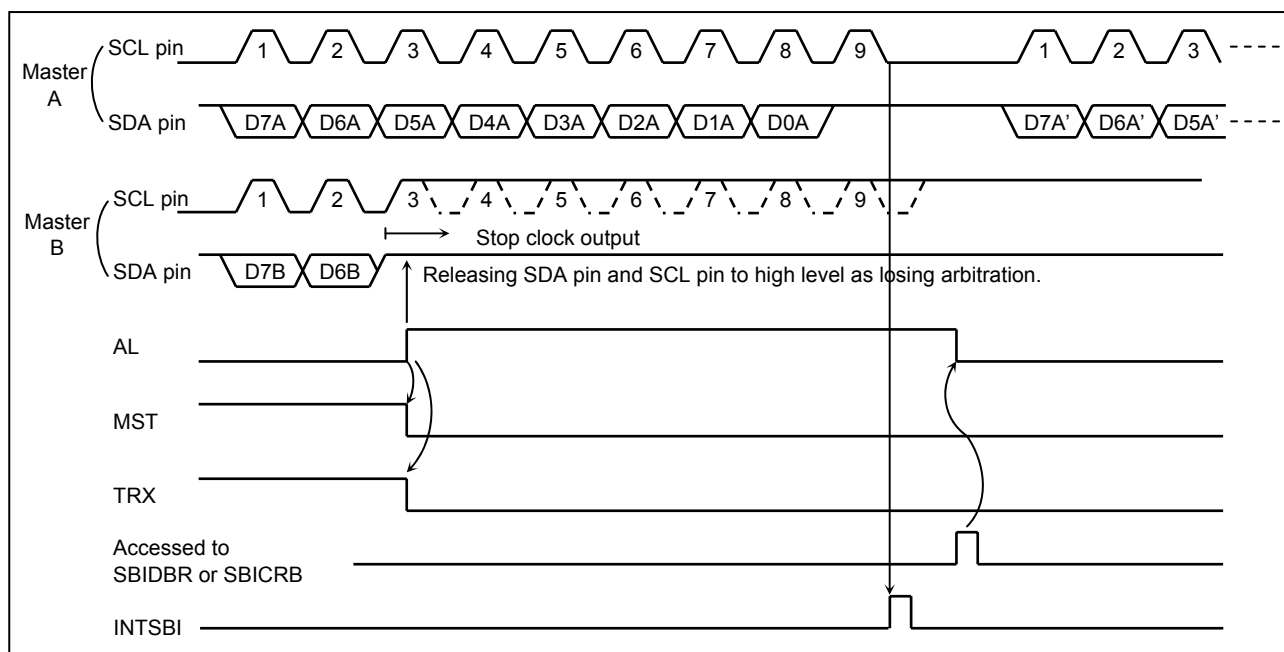


Figure 2.9.12 Example of when a Serial Bus Interface Circuit is a Master B

(11) Slave address match detection monitor

In the slave mode, the AAS (bit 2 in SBISR) is set to "1" when the received data is "GENERAL CALL" or the received data matches the slave address setting by I2CAR with an address recognition mode (ALS = 0).

When a serial bus interface circuit operates in the free data format (ALS = 1), the AAS is set to "1" after receiving the first 1-word of data.

The AAS is cleared to "0" by writing data to the SBIDBR or reading data from the SBIDBR.

(12) GENERAL CALL detection monitor

The AD0 (bit 1 in SBISR) is set to "1" when all 8-bit received data is "0" immediately after a start condition in a slave mode. The AD0 is cleared to "0" when a start or stop condition is detected on a bus.

(13) Last received bit monitor

The SDA value stored at the rising edge of the SCL is set to the LRB (bit0 in SBISRB). In the acknowledge mode, immediately after an INTSBI interrupt request is generated, an acknowledge signal is read by reading the contents of the LRB.

2.9.8 Data Transfer of I²C Bus

(1) Device initialization

For initialization of device, set the ACK in SBICRA to “1” and the BC to “000”. Specify the data length to 8 bits to count clocks for an acknowledge signal. Set a transfer frequency to the SCK in SBICRA.

Next, set the slave address to the SA in I2CAR and clear the ALS to “0” to set an addressing format.

After confirming that the serial bus interface pin is high-level, for specifying the default setting to a slave receiver mode, clear “0” to the MST, TRX and BB in SBICRB, set “1” to the PIN, “10” to the SBIM, and “00” to bits SWRST1 and SWRST0.

Note: The initialization of a serial bus interface circuit must be complete within the time from all devices which are connected to a bus have initialized to and device does not generate a start condition. If not, the data can not be received correctly because the other device starts transferring before an end of the initialization of a serial bus interface circuit.

(2) Start condition and slave address generation

Confirm a bus free status (when BB = 0).

Set the ACK to “1” and specify a slave address and a direction bit to be transmitted to the SBIDBR.

By writing “1” to the MST, TRX, BB and PIN, the start condition is generated on a bus and then, the slave address and the direction bit which are set to the SBIDBR are output. An INTSBI interrupt request occurs at the 9th falling edge of a SCL clock cycle, and the PIN is cleared to “0”. The SCL pin is pulled-down to the low level while the PIN is “0”. When an interrupt request occurs the TRX changes by the hardware according to the direction bits only when an acknowledge signal is returned from the slave device.

Note 1: Do not write a slave address to be output to the SBIDBR while data is transferred. If data is written to the SBIDBR, data to be outputting may be destroyed.

Note 2: The bus free must be confirmed by software within 98.0 μ s (the shortest transmitting time according to the I²C bus standard) after setting of the slave address to be output. Only when the bus free is confirmed, set “1” to the MST, TRX, BB, and PIN doesn't finish within 98.0 μ s, the other masters may start the transferring and the slave address data written in SBIDBR may be broken.

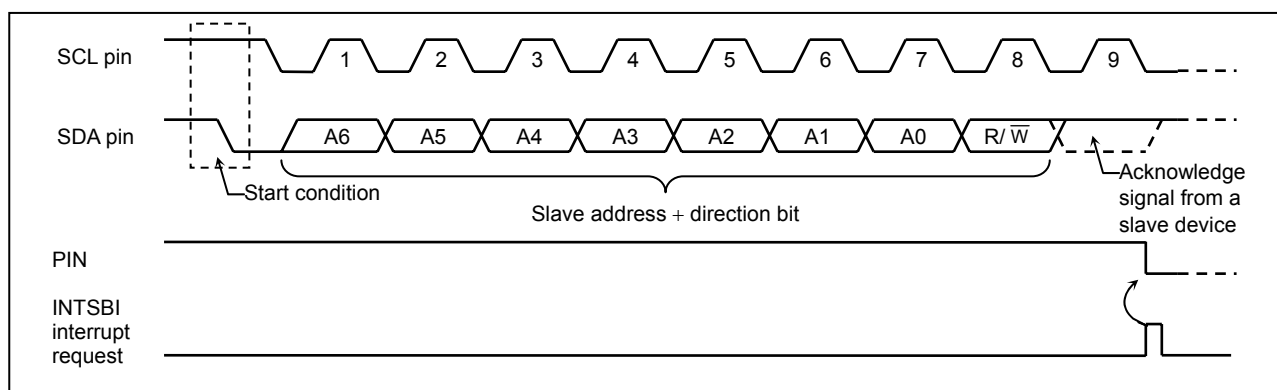


Figure 2.9.13 Start Condition Generation and Slave Address Transfer

(3) 1-word data transfer

Check the MST by the INTSBI interrupt process after an 1-word data transfer is completed, and determine whether the mode is a master or slave.

a. When the MST is "1" (Master mode)

Check the TRX and determine whether the mode is a transmitter or receiver.

1. When the TRX is "1" (Transmitter mode)

Test the LRB. When the LRB is "1", a receiver does not request data. Implement the process to generate a stop condition (described later) and terminate data transfer.

When the LRB is "0", the receiver requests next data. When the next transmitted data is other than 8 bits, set the BC, set the ACK to "1", and write the transmitted data to the SBIDBR. After writing the data, the PIN becomes "1", a serial clock pulse is generated for transferring a next 1-word of data from the SCL pin, and then the 1-word data is transmitted. After the data is transmitted, and an INTSBI interrupt request occurs. The PIN become "0" and the SCL pin is set to low level. If the data to be transferred is more than one word in length, repeat the procedure from the LRB test above.

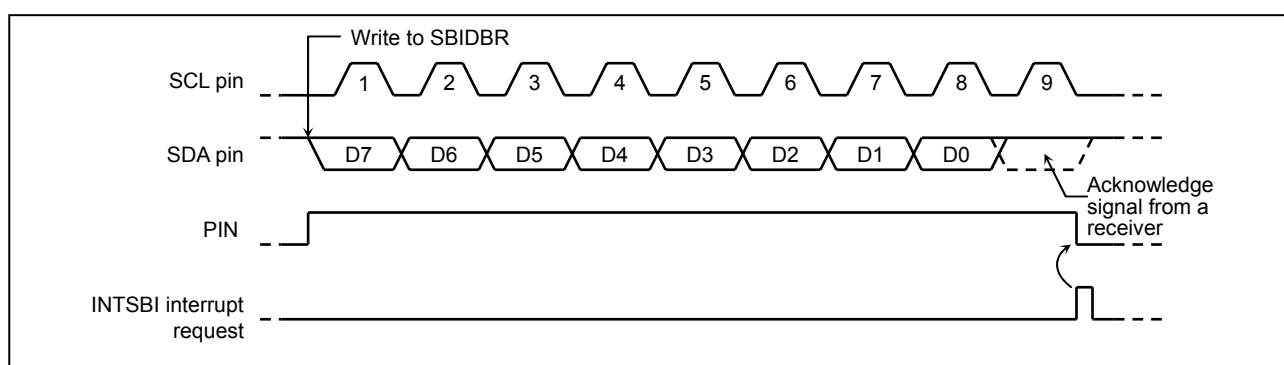


Figure 2.9.14 Example of when BC = "000", ACK = "1"

2. When the TRX is "0" (Receiver mode)

When the next transmitted data is other than of 8 bits, set the BC again. Set the ACK to "1" and read the received data from the SBIDBR (reading data is undefined immediately after a slave address is sent). After the data is read, the PIN becomes "1". A serial bus interface circuit outputs a serial clock pulse to the SCL to transfer next 1-word of data and sets the SDA pin to "0" at the acknowledge signal timing.

An INTSBI interrupt request occurs and the PIN becomes "0". Then a serial bus interface circuit outputs a clock pulse for 1-word of data transfer and the acknowledge signal each time that received data is read from the SBIDBR.

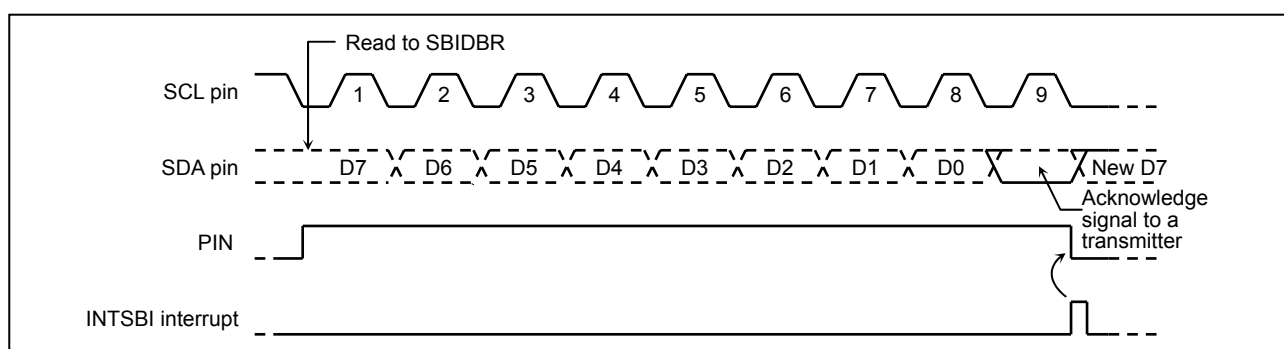


Figure 2.9.15 Example of when BC = "000", ACK = "1"

To make the transmitter terminate transmit, clear the ACK to “0” before reading data which is 1-word before the last data to be received. A serial bus interface circuit does not generate a clock pulse for the acknowledge signal by clearing ACK. In the interrupt routine of end of transmission, when the BC is set to “001” and read the data, PIN is set to “1” and generates a clock pulse for a 1-bit data transfer. In this case, since the master device is a receiver, the SDA line on a bus keeps the high-level. The transmitter receives the high-level signal as an ACK signal. The receiver indicates to the transmitter that data transfer is complete.

After 1-bit data is received and an interrupt request has occurred, generates the stop condition to terminate data transfer.

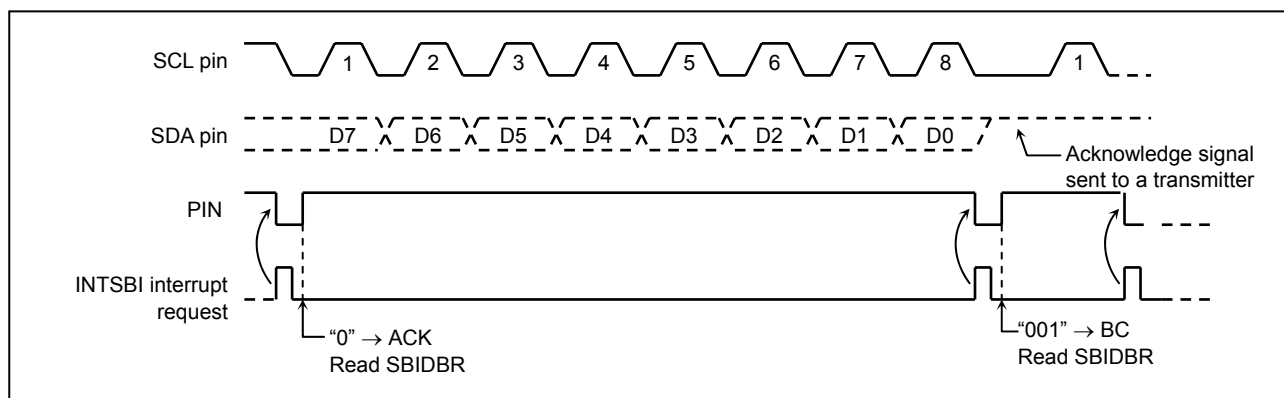


Figure 2.9.16 Termination of Data Transfer in Master Receiver Mode

b. When the MST is “0” (Slave mode)

In the slave mode, a serial bus interface circuit operates either in normal slave mode or in slave mode after losing arbitration.

In the slave mode, the conditions of generating INTSBI are follows:

- When the received slave address matches to the value set by the I2CAR
- When a “GENERAL CALL” is received
- At the end of transferring or receiving after matching of slave address or receiving of “GENERAL CALL”

A serial bus interface circuit changes to a slave mode if arbitration is lost in the master mode. And an INTSBI interrupt request occurs when word data transfer terminates after losing arbitration. The behavior of INTSBI and PIN after losing arbitration are shown in Table 2.9.2.

Table 2.9.2 The Behavior of INTSBI and PIN after Losing Arbitration

	When the arbitration occurs during transmission of slave address as a master	When the arbitration occurs during transmission of data as a master transmit mode
INTSBI	INTSBI is generated at the terminatin of word data.	
PIN	When the slave address matches the value set by I2CAR, the PIN is cleared to “0” by generating of INTSBI. When the slave address doesn’t match the value set by I2CAR, the PIN keeps “1”.	PIN keeps “1”.

Check the AL (bit 3 in the SBISR), the TRX (bit 6 in the SBISR), the AAS (bit 2 in the SBISR), and the ADO (bit 1 in the SBISR) and implements processes according to conditions listed in Table 2.9.3.

Table 2.9.3 Operation in the Slave Mode

TRX	AL	AAS	AD0	Conditions	Process
1	1	1	0	A serial bus interface circuit loses arbitration when transmitting a slave address. And receives a slave address of which the value of the direction bit sent from another master is "1".	Set the number of bits in 1 word to the BC and write transmitted data to the SBIDBR.
		0	0	In the slave receiver mode, a serial bus interface circuit receives a slave address of which the value of the direction bit sent from the master is "1".	
	0	1	0	In the slave transmitter mode, 1-word data is transmitted.	Test the LRB. If the LRB is set to "1", set the PIN to "1" since the receiver does not request next data. Then, clear the TRX to "0", release the bus. If the LRB is set to "0", set the number of bits in 1-word to the BC and write transmitted data to the SBIDBR since the receiver requests next data.
0	1	1	1/0	A serial bus interface circuit loses arbitration when transmitting a slave address. And receives a slave address of which the value of the direction bit sent from another master is "0" or receives a "GENERAL CALL".	Read the SBIDBR for setting the PIN to "1" (reading dummy data) or write "1" to the PIN.
		0	0	A serial bus interface circuit loses arbitration when transmitting a slave address or data. And terminates transferring word data.	A serial bus interface circuit is changed to slave mode. To clear AL to "0", read the SBIDBR or write the data to SBIDBR.
	0	1	1/0	In the slave receiver mode, a serial bus interface circuit receives a slave address of which the value of the direction bit sent from the master is "0" or receives "GENERAL CALL".	Read the SBIDBR for setting the PIN to "1" (reading dummy data) or write "1" to the PIN.
		0	1/0	In the slave receiver mode, a serial bus interface circuit terminates receiving of 1-word data.	Set the number of bits in 1-word to the BC and read received data from the SBIDBR.

Note: In the slave mode, if the slave address set in I2CAR is "0000000B", the TRX changes to "1" by receiving the start byte data "00000001B".

(4) Stop condition generation

When the BB is "1", a sequence of generating a stop condition is started by setting "1" to the MST, TRX, and PIN, and clear "0" to the BB. Do not modify the contents of the MST, TRX, BB, PIN until a stop condition is generated on a bus.

When a SCL line on a bus is pulled-down by other devices, a serial bus interface circuit generates a stop condition after they release a SCL line.

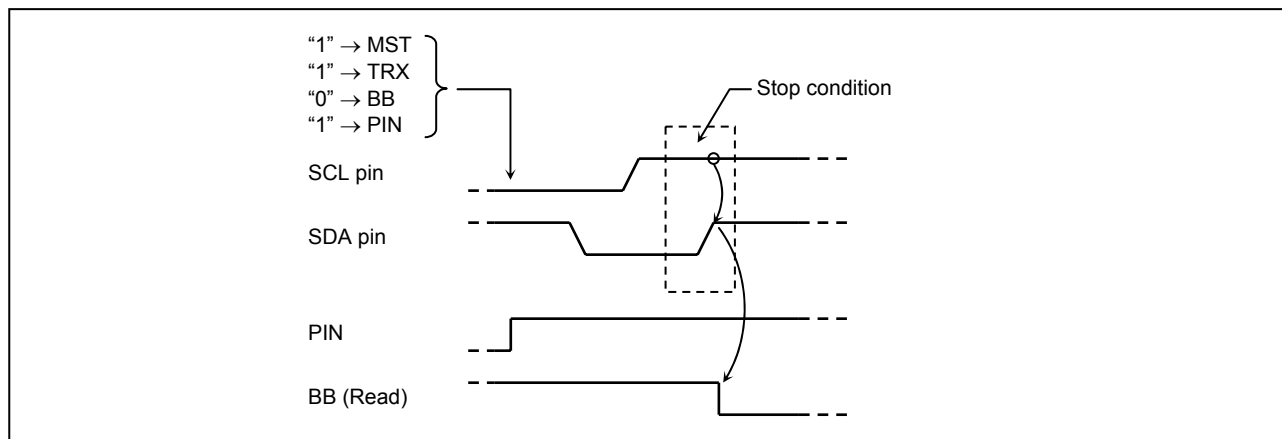


Figure 2.9.17 Stop Condition Generation

(5) Restart

Restart is used to change the direction of data transfer between a master device and a slave device during transferring data. The following explains how to restart a serial bus interface circuit.

Clear "0" to the MST, TRX and BB and set "1" to the PIN. The SDA pin retains the high-level and the SCL pin is released. Since a stop condition is not generated on a bus, a bus is assumed to be in a busy state from other devices. Test the BB until it becomes "0" to check that the SCL pin a serial bus interface circuit is released. Test the LRB until it becomes "1" to check that the SCL line on a bus is not pulled-down to the low-level by other devices. After confirming that a bus stays in a free state, generate a start condition with procedure (2).

In order to meet setup time when restarting, take at least 4.7 μs of waiting time by software from the time of restarting to confirm that a bus is free until the time to generate a start condition.

Note: When restarting after receiving in master receiver mode, because the device doesn't send an acknowledgement as a last data, the level of SCL line can not be confirmed by reading LRB. Therefore, confirm the status of SCL line by reading P5PRD register.

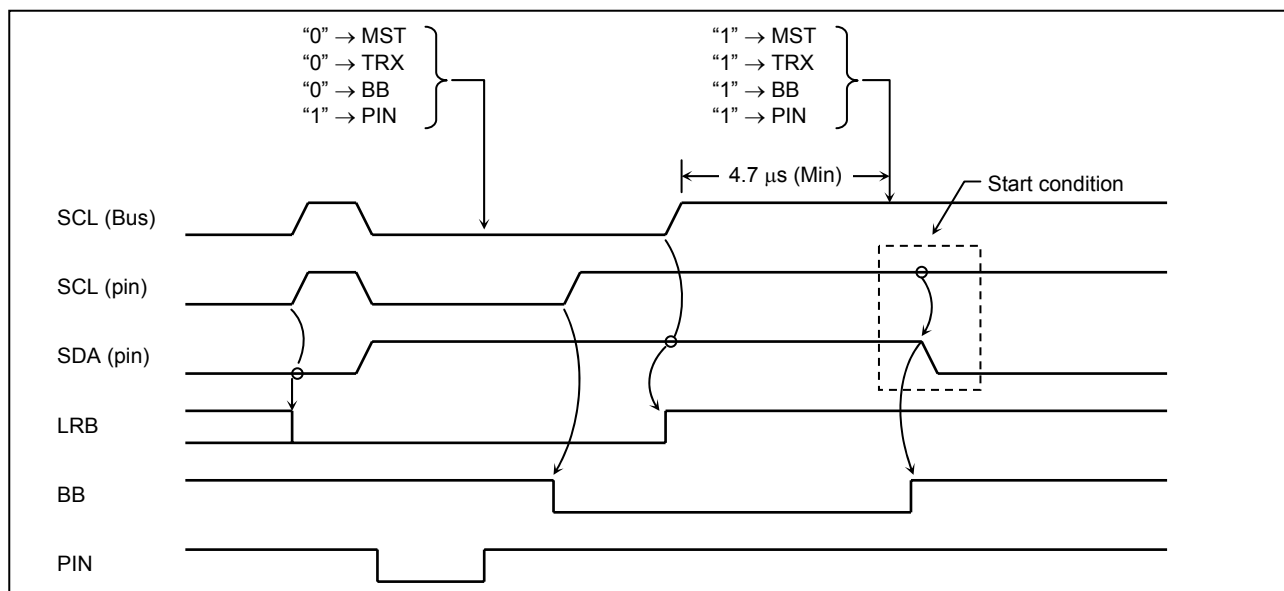


Figure 2.9.18 Timing Diagram when Restarting

2.9.9 Clocked-synchronous 8-Bit SIO Mode Control

The following registers are used to control the serial bus interface (SBI) and monitor the operation in the clocked-synchronous 8-bit SIO mode.

Serial Bus Interface Control Register A																								
SBICRA (00020H)	7	6	5	4	3	2 1 0	(Initial value: 0000 *000)																	
	SIOS	SIOINH	SIOM	"0"	"0"	SCK																		
	SIOS	Indicate transfer start/stop			0: Stop 1: Start		Write only																	
	SIOINH	Continue/abort transfer			0: Continue transfer 1: Abort transfer (automatically cleared after abort)																			
	SIOM	Transfer mode select			00: 8-bit transmit mode 01: reserved 10: 8-bit transmit/receive mode 11: 8-bit receive mode																			
	SCK	Serial clock selection (At $f_c = 16$ MHz, Output on \overline{SCK} pin)			<table border="1"> <thead> <tr> <th>DV1CK = 0</th> <th>DV1CK = 1</th> </tr> </thead> <tbody> <tr> <td>000: 1000.0 kHz</td> <td>000: 500.0 kHz</td> </tr> <tr> <td>001: 500.0 kHz</td> <td>001: 250.0 kHz</td> </tr> <tr> <td>010: 250.0 kHz</td> <td>010: 125.0 kHz</td> </tr> <tr> <td>011: 125.0 kHz</td> <td>011: 62.5 kHz</td> </tr> <tr> <td>100: 62.5 kHz</td> <td>100: 31.2 kHz</td> </tr> <tr> <td>101: 31.2 kHz</td> <td>101: 15.6 kHz</td> </tr> <tr> <td>110: 15.6 kHz</td> <td>110: 7.8 kHz</td> </tr> <tr> <td>111: External clock (Input from SCK pin)</td> <td>111: External clock (Input from SCK pin)</td> </tr> </tbody> </table>			DV1CK = 0	DV1CK = 1	000: 1000.0 kHz	000: 500.0 kHz	001: 500.0 kHz	001: 250.0 kHz	010: 250.0 kHz	010: 125.0 kHz	011: 125.0 kHz	011: 62.5 kHz	100: 62.5 kHz	100: 31.2 kHz	101: 31.2 kHz	101: 15.6 kHz	110: 15.6 kHz	110: 7.8 kHz	111: External clock (Input from SCK pin)
DV1CK = 0	DV1CK = 1																							
000: 1000.0 kHz	000: 500.0 kHz																							
001: 500.0 kHz	001: 250.0 kHz																							
010: 250.0 kHz	010: 125.0 kHz																							
011: 125.0 kHz	011: 62.5 kHz																							
100: 62.5 kHz	100: 31.2 kHz																							
101: 31.2 kHz	101: 15.6 kHz																							
110: 15.6 kHz	110: 7.8 kHz																							
111: External clock (Input from SCK pin)	111: External clock (Input from SCK pin)																							
<p>Note 1: f_c: High-frequency clock [Hz], *: Don't care</p> <p>Note 2: Clear the SIOS to "0" and set the SIOINH to "1" when setting the transfer mode and serial clock.</p> <p>Note 3: SBICRA is write-only register and cannot be used with any of read-modify-write instructions such as bit manipulation, etc.</p>																								
Serial Bus Interface Data Register																								
SBIDBR (00021H)	7	6	5	4	3	2 1 0	(Initial value: **** ***) R/W																	
<p>Note 1: The data which was written into SBIDBR cannot be read, since a write buffer and a read buffer are independent in SBIDBR. Therefore, SBIDBR cannot be used with any of read-modify-write instructions such as bit manipulation, etc.</p> <p>Note 2: *: Don't care</p>																								
Serial Bus Interface Control Register B																								
SBICRB (00023H)	7	6	5	4	3	2 1 0	(Initial value: **** 0000)																	
	"0"	"0"	"0"	"1"	SBIM	SWRST1 SWRST0																		
	SBIM	Serial bus interface operation mode selection			00: Port mode (serial bus interface output disable) 01: SIO mode 10: I ² C bus mode 11: reserved		Write only																	
	SWRST1 SWRST0	Software reset start bit			Software reset starts by first writing "10" and next writing "01"																			
<p>Note 1: *: Don't care</p> <p>Note 2: Switch a mode to port after data transfer is complete.</p> <p>Note 3: Switch a mode to I²C bus mode or clock synchronous 8-bit SIO mode after confirming that the port is high-level.</p> <p>Note 4: SBICRB is a write-only register and cannot be used with any of read-modify-write instructions such as bit manipulation, etc.</p> <p>Note 5: Clear bit 7 to 5 in SBICRB to "0", and set bit 4 to "1".</p> <p>Note 6: When the SWRST (bit 1, 0 in SBICRB) is written to "01", "10", software reset is occurred. This time, control the serial bus interface and monitor the operation status registers except the SBIM (bit 3, 2 in SBICRB) and the CHS (bit 6 in PMPXCR) are reseted. Control the serial bus interface and monitor the operation status registers are SBICRA, SBICRB, SBIDBR, I2CAR, SBISRA, SBISRB, SCCRA, SCCRB and SCSR.</p>																								

Figure 2.9.19 Control Register/Data Buffer Register/Status Register in SIO Mode (1)

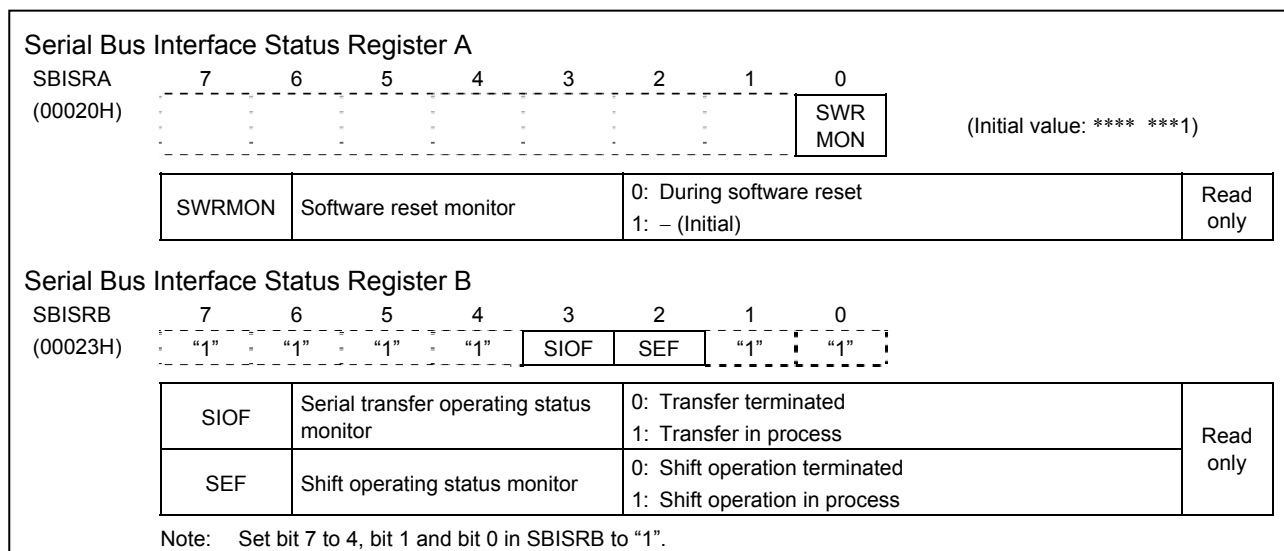


Figure 2.9.20 Control Register/Data Buffer Register/Status Register in SIO Mode (2)

- (1) Serial clock
 - a. Clock source

The SCK (bits 2 to 0 in SBICRA) is used to select the following functions.

1. Internal clock

In an internal clock mode, any of seven frequencies can be selected. The serial clock is output to the outside on the $\overline{\text{SCK}}$ pin. The $\overline{\text{SCK}}$ pin becomes a high-level when data transfer starts. When writing (in the transmit mode) or reading (in the receive mode) data cannot follow the serial clock rate, an automatic-wait function is executed to stop the serial clock automatically and hold the next shift operation until reading or writing is complete.

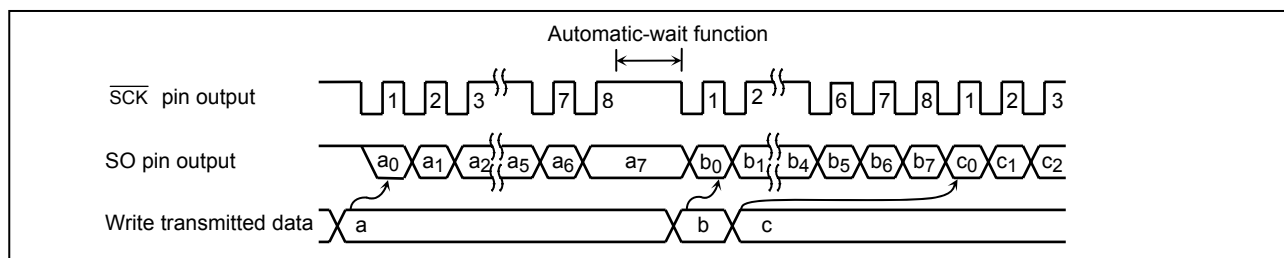


Figure 2.9.21 Automatic Wait Function

2. External (SCK = "111")

An external clock supplied to the $\overline{\text{SCK}}$ pin is used as the serial clock. In order to ensure shift operation, a pulse width of at least 4-machine cycles is required for both high and low levels in the serial clock. The maximum data transfer frequency is 500 KHz ($f_c = 16.0$ MHz).

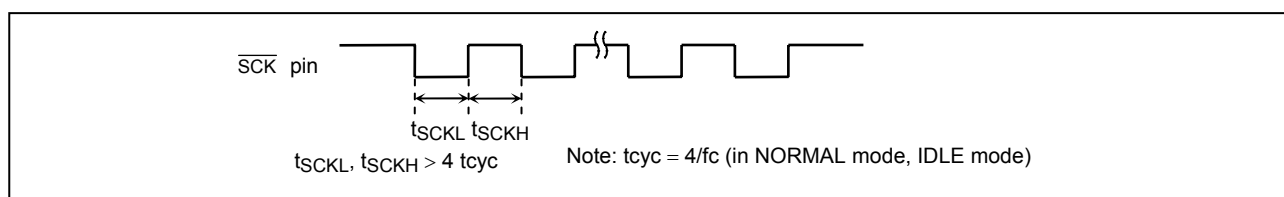


Figure 2.9.22 The Maximum Data Transfer Frequency in The External Clock Input

b. Shift edge

The leading edge is used to transmit data, and the trailing edge is used to receive data.

1. Leading edge

Data is shifted on the leading edge of the serial clock (at a falling edge of the $\overline{\text{SCK}}$ pin input/output).

2. Trailing edge

Data is shifted on the trailing edge of the serial clock (at a rising edge of the $\overline{\text{SCK}}$ pin input/output).

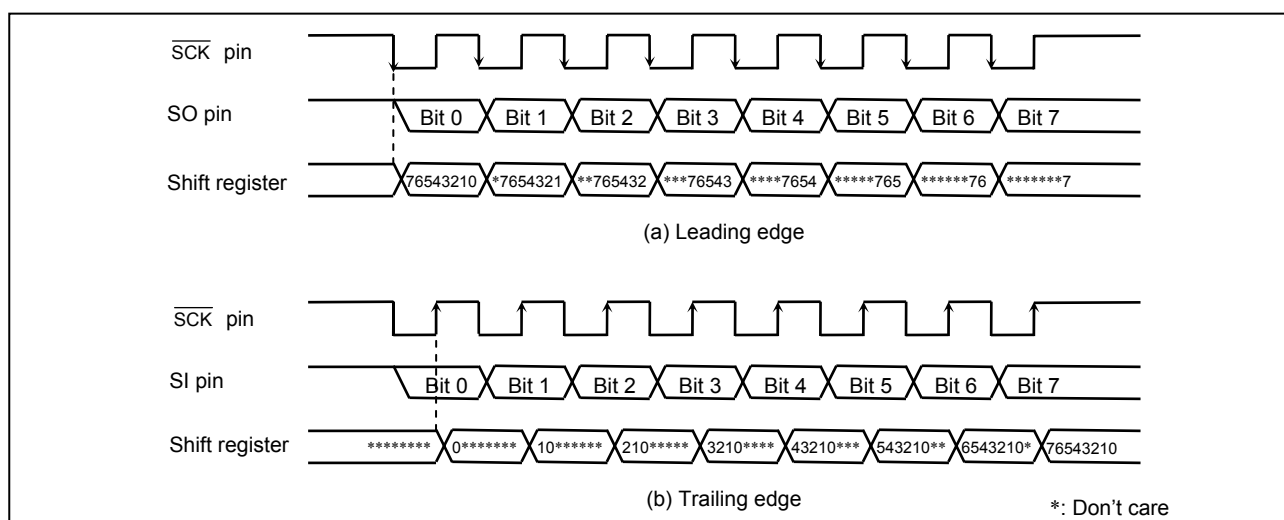


Figure 2.9.23 Shift Edge

(2) Transfer mode

The SIOM (bits 5 and 4 in SBICRA) is used to select a transmit, receive, or transmit/receive mode.

a. 8-bit transmit mode

Set a control register to a transmit mode and write transmit data to the SBIDBR.

After the transmit data is written, set the SIOS to “1” to start data transfer. The transmitted data is transferred from the SBIDBR to the shift register and output to the SO pin in synchronous with the serial clock, starting from the least significant bit (LSB). When the transmit data is transferred to the shift register, the SBIDBR becomes empty. The INTSBI (buffer empty) interrupt request is generated to request new data.

When the internal clock is used, the serial clock will stop and automatic-wait function will be initiated if new data is not loaded to the data buffer register after the specified 8-bit data is transmitted. When transmit new data is written, automatic-wait function is canceled.

When the external clock is used, data should be written to the SBIDBR before new data is shifted.

The SO pin is “1” from the time transmission starts until the first data bit is sent. When SIOF becomes “0”, the shift register is cleared. So, output of an undefined value is not prevented at the start of the next transmission.

The transfer speed is determined by the maximum delay time between the time when an interrupt request is generated and the time when data is written to the SBIDBR by the interrupt service program.

Transmitting data is ended by cleaning the SIOS to "0" by the buffer empty interrupt service program or setting the SIOINH to "1". When the SIOS is cleared, the transmitted mode ends when all data is output. In order to confirm if data is surely transmitted by the program, set the SIOF (bit 3 in the SBISRB) to be sensed. The SIOF is cleared to "0" when transmitting is complete. When the SIOINH is set, transmitting data stops. The SIOF turns "0".

When the external clock is used, it is also necessary to clear the SIOS to "0" before new data is shifted; otherwise, dummy data is transmitted and operation ends.

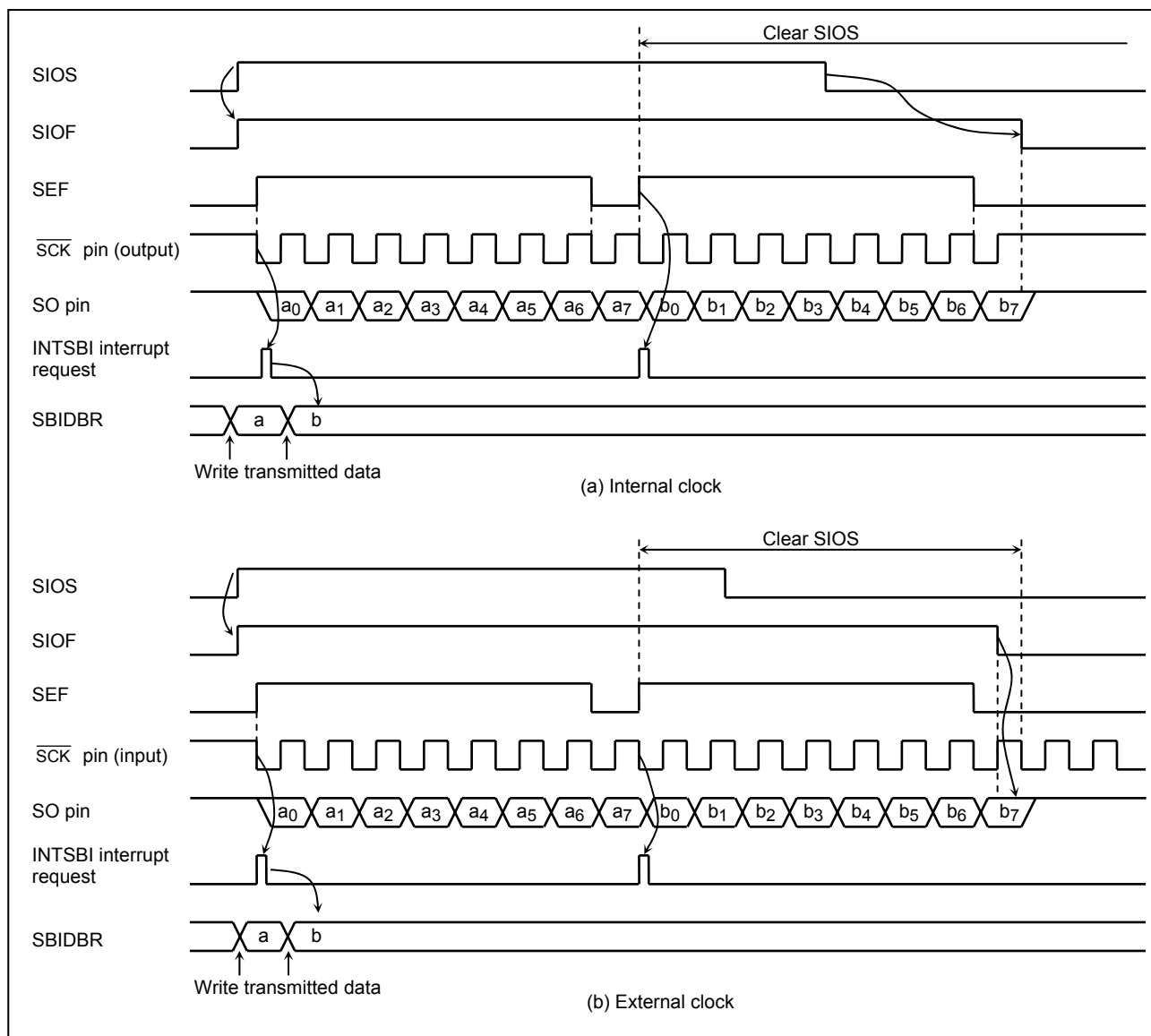


Figure 2.9.24 Transfer Mode

Example: Program to stop transmitting data. (When external clock is used)

```

STEST1: TEST (SBISRB) . SEF          ; If SEF = 1 then loop
        JRS  F, STEST1
STEST2: TEST (P5) . 3                ; If  $\overline{SCK}$  = 0 then loop
        JRS  T, STEST2
        LD   (SBICRA) , 00000111B    ; SIOS ← 0

```

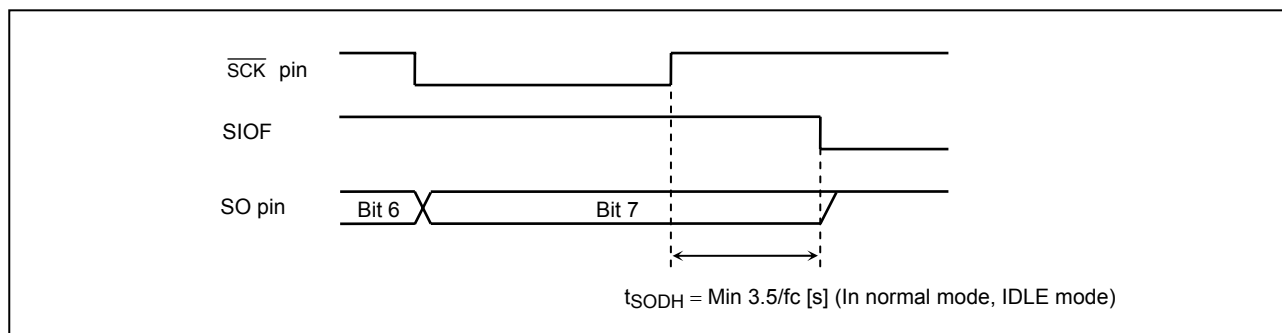


Figure 2.9.25 Transmitted Data Hold Time at End of Transmit

b. 8-bit receive mode

Set a control register to a receive mode and the SIOS to “1” for switching to a receive mode.

Data is received from the SI pin to the shift register in synchronous with the serial clock, starting from the least significant bit (LSB). When the 8-bit data is received, the data is transferred from the shift register to the SBIDBR. The INTSBI (buffer full) interrupt request is generated to request of reading the received data. The data is read from the SBIDBR by the interrupt service program.

When the external clock is used, since shift operation is synchronized with the clock pulse provided externally, the received data should be read from SBIDBR before next serial clock is input. If the received data is not read, further data to be received is canceled.

When the internal clock is used, the automatic wait function is executed until received data is read from SBIDBR.

The maximum transfer speed when the external clock is used is determined by the delay time between the time when an interrupt request is generated and the time when received data is read.

Received data disappears if this data is not completely read before reception of the next data terminates. In this case, the next data received is read.

Receiving data is ended by clearing the SIOS to “0” by the buffer full interrupt service program or setting the SIOINH to “1”. When the SIOS is cleared, received data is transferred to the SBIDBR in complete blocks. The received mode ends when the transfer is complete. In order to confirm if data is surely received by the program, set the SIOF (bit 3 in SBIDBR) to be sensed. The SIOF is cleared to “0” when receiving is complete. After confirming that receiving has ended, the last data is read. When the SIOINH is set, receiving data stops. The SIOF turns “0” (the received data becomes invalid, therefore no need to read it).

Note: When the transfer mode is switched, the SBIDBR contents are lost. In case that the mode needs to be switched, receiving data is concluded by clearing the SIOS to “0”, read the last data, and then switch the mode.

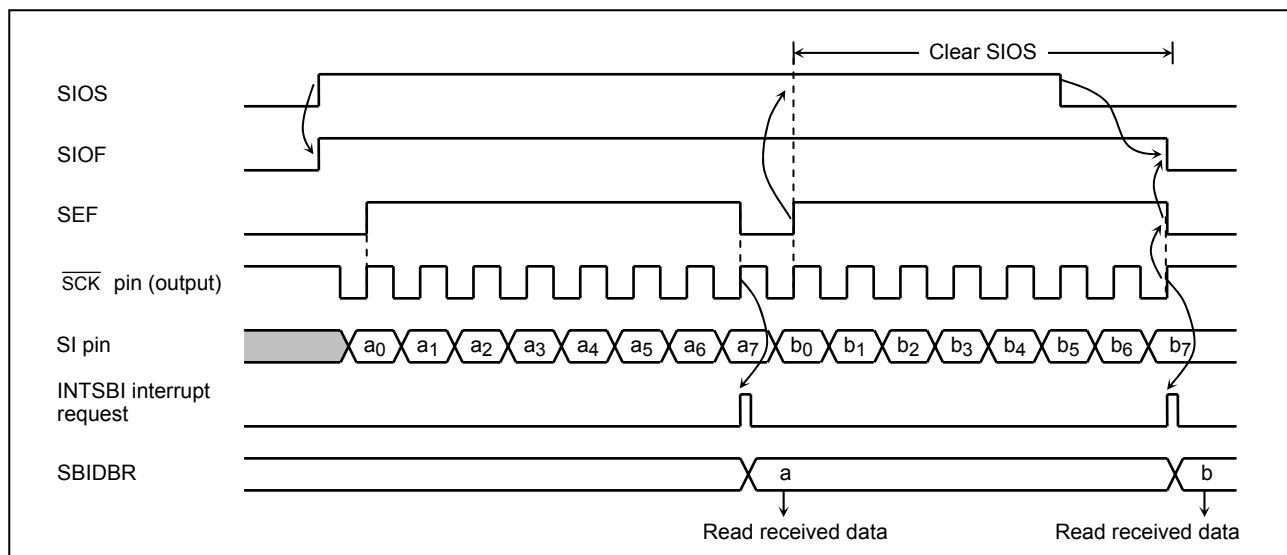


Figure 2.9.26 Receive Mode (Example: Internal clock)

c. 8-bit transmit/receive mode

Set a control register to a transmit/receive mode and write data to the SBIDBR. After the data is written, set the SIOS to "1" to start transmitting/receiving. When transmitting, the data is output from the SO pin on the leading edges in synchronous with the serial clock, starting from the least significant bit (LSB). When receiving, the data is input to the SI pin on the trailing edges of the serial clock. 8-bit data is transferred from the shift register to the SBIDBR, and the INTSBI interrupt request occurs. The interrupt service program reads the received data from the data buffer register and writes data to be transmitted. The SBIDBR is used for both transmitting and receiving. Transmitted data should always be written after received data is read.

When the internal clock is used, automatic-wait function is initiated until received data is read and next data is written.

When the external clock is used, since the shift operation is synchronized with the external clock, received data is read and transmitted data is written before new shift operation is executed. The maximum transfer speed when the external clock is used is determined by the delay time between the time when an interrupt request is generated and the time when received data is read and transmitted data is written.

When transmission starts, a value which is the same as the last bit of previously transmitted data is output from the time SIOF is set to "1" until the falling edge of \overline{SCK} occurs.

Transmitting/receiving data is ended by cleaning the SIOS to "0" by the INTSBI interrupt service program or setting the SIONH to "1". When the SIOS is cleared, received data is transferred to the SBIDBR in complete blocks. The transmit/receive mode ends when the transfer is complete. In order to confirm if data is surely transmitted/received by the program, set the SIOF (bit 3 in SBISRB) to be sensed. The SIOF becomes "0" after transmitting/receiving is complete. When the SIONH is set, transmitting/receiving data stops. The SIOF turns "0".

Note: When the transfer mode is switched, the SBIDBR contents are lost. In case that the mode needs to be switched, conclude transmitting/receiving data by clearing the SIOS to "0", read the last data, and then switch the transfer mode.

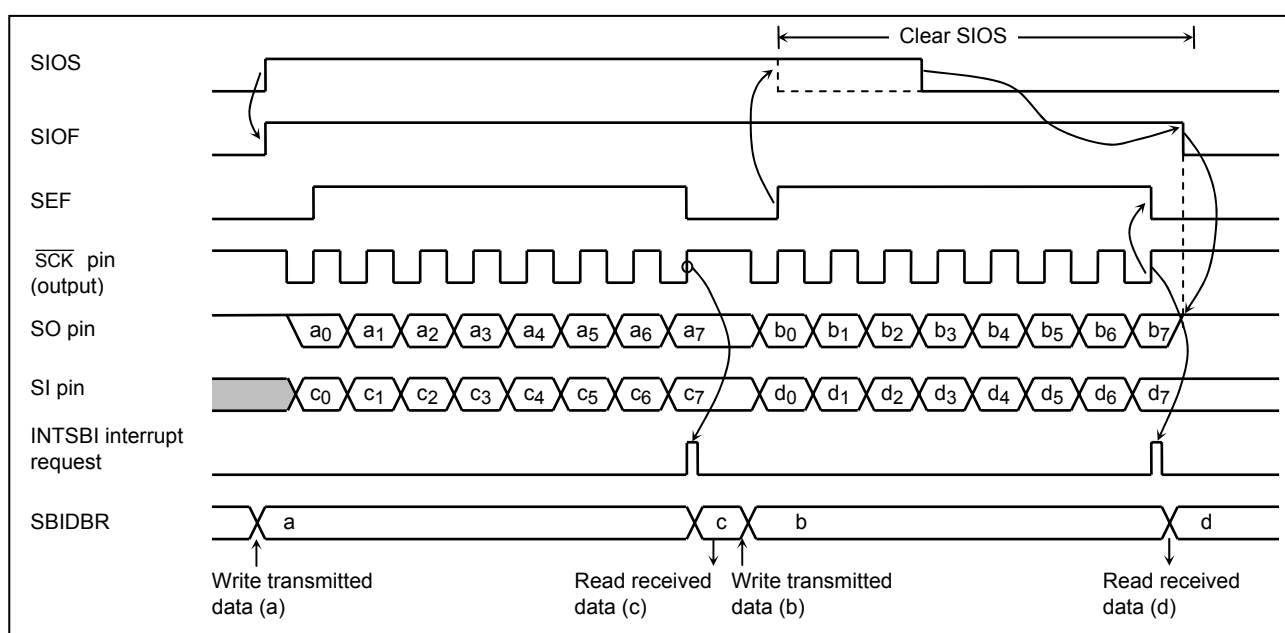


Figure 2.9.27 Transmit/Receive Mode (Example: Internal clock)

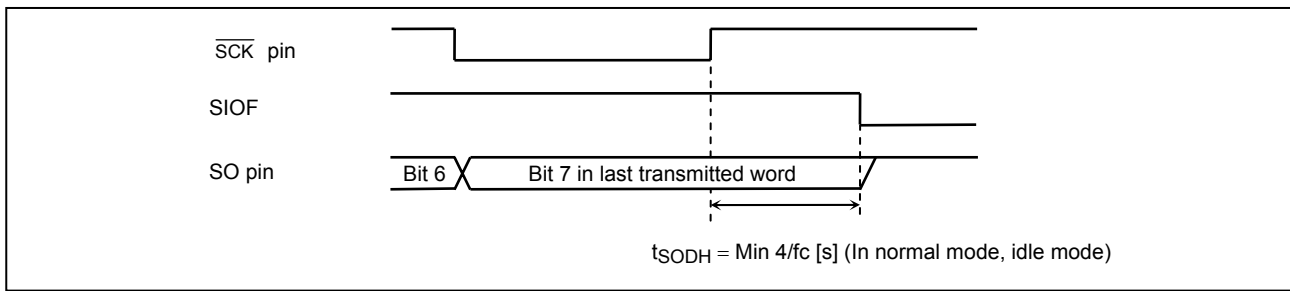


Figure 2.9.28 Transmitted Data Hold Time at End of Transmit/Receive

2.10 Remote Control Signal Preprocessor/External Interrupt 3 Input Pin

The remote control signal waveform can be determined by inputting the remote control signal waveform from which the carrier wave was eliminated by the receive circuit to P30 (INT3/RXIN) pin. When the remote control signal preprocessor/external interrupt 3 pin is also used as the P30 port, set the P30 port output latch to "1". When it is not used as the remote control signal preprocessor/external interrupt 3 input pin, it can be used for normal port.

2.10.1 Configuration

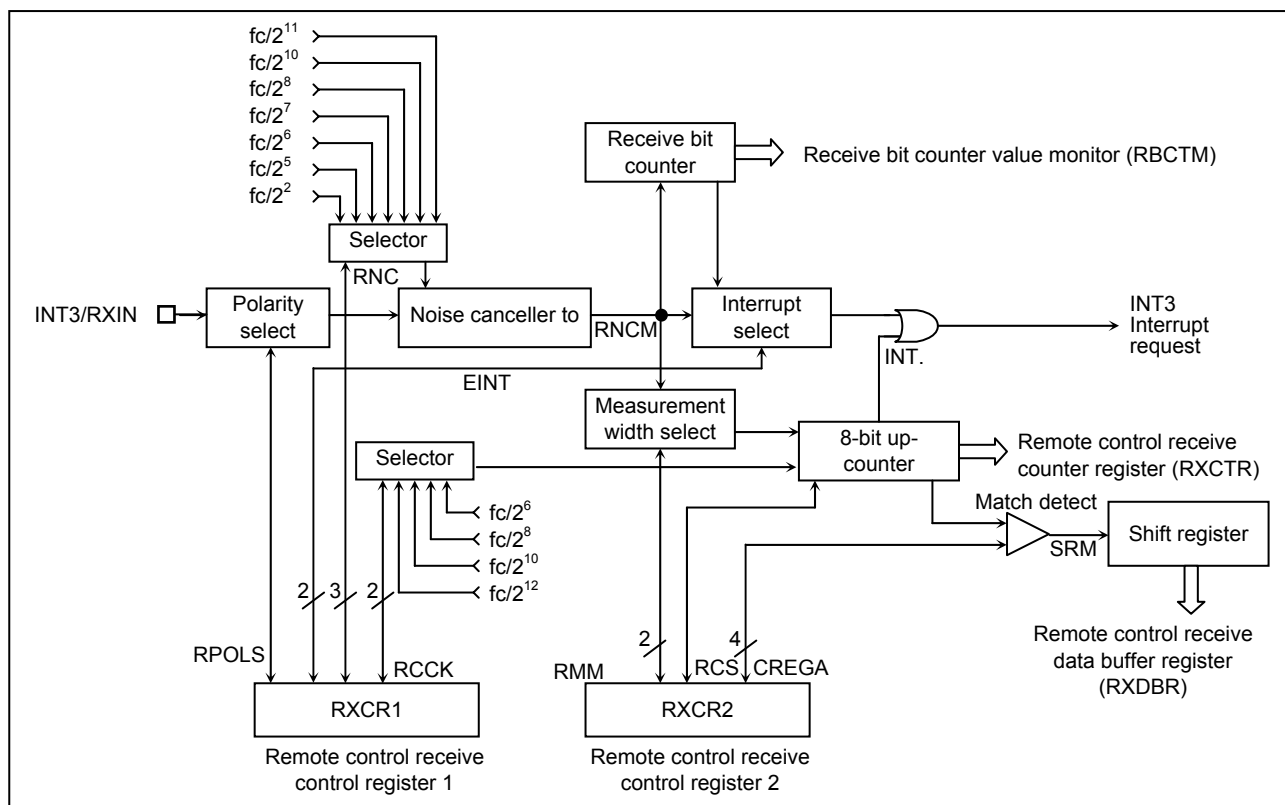


Figure 2.10.1 Remote Control Signal Preprocessor

2.10.2 Remote Control Signal Preprocessor Control

When the remote control signal preprocessor is used, operating states are controlled and monitored by the following registers. Interrupt requests also use the remote control signal preprocessor/external interrupt 3 input pin.

- Remote control receive control register 1 (RXCR1)
- Remote control receive control register 2 (RXCR2)
- Remote control receive counter register (RXCTR)
- Remote control receive data buffer register (RXDBR)
- Remote control receive status register (RXSR)

When this pin is used for the external interrupt 3 input, set EINT in RXCR1 to other than "11".

Remote control receive control register 1									
RXCR1	7	6	5	4	3	2	1	0	
(00FE8H)	RCCK		RPOLS	EINT		RNC			(Initial value: 0000 0000)
RCCK	8-bit up-counter source clock select				00: $fc/2^6$ (Hz) 01: $fc/2^8$ 10: $fc/2^{10}$ 11: $fc/2^{12}$			R/W	
RPOLS	Remote control signal polarity select				0: Positive 1: Negative				
EINT	Interrupt source select				00: Rising edge 01: Falling edge (at RPOLS = 0) 10: Rising/Falling edge 11: 8-bit receive end				
RNC	Noise canceler noise eliminating time select				001: $2^2/fc \times 7 - 1/fc$ (s) 010: $2^5/fc \times 7 - 1/fc$ 011: $2^6/fc \times 7 - 1/fc$ 100: $2^7/fc \times 7 - 1/fc$ 101: $2^8/fc \times 7 - 1/fc$ 110: $2^{10}/fc \times 7 - 1/fc$ 111: $2^{11}/fc \times 7 - 1/fc$ 000: Noise canceler disable				
Note 1: fc: High-frequency clock [Hz]									
Note 2: After reset, RPOLS do not change the set value in the receiving remote control signal. For setting interrupt edge and measurement data, use EINT and RMM.									
Remote control receive control register 2									
RXCR2	7	6	5	4	3	2	1	0	
(00FE9H)	CREGA			RCS	RMCEN	RMM			(Initial value: 0000 0000)
CREGA	Setting of detect time for match with 8-bit up-counter upper 4 bits				Match detect time (Tth) = $16 \times CREGA/RCCK$ [s] CREGA = 0H to FH Example: CREGA = 2H, RCCK = $fc/2^6$ [Hz], at $fc = 16$ MHz, DV1CK = 0 Tth = 128 [μ s]			R/W	
RCS	8-bit up-counter start control				0: Stop and counter clear 1: Start				
RMCEN	Remote control signal preprocessor Enable/Disable				0: Disable 1: Enable				
RMM	Measurement mode select (invalid when EINT = "10")				00: 01: Refer to Table 2.10.1 10: 11:				
Note 1: fc: High-frequency clock [Hz]									
Note 2: When an interrupt source is set for rising/falling edge, low and high widths are forcibly measured separately.									
Note 3: Set CREGA (0H to FH) before EINT sets to 8-bit receive end.									

Figure 2.10.2 Remote Control Receive Control Register 1, 2

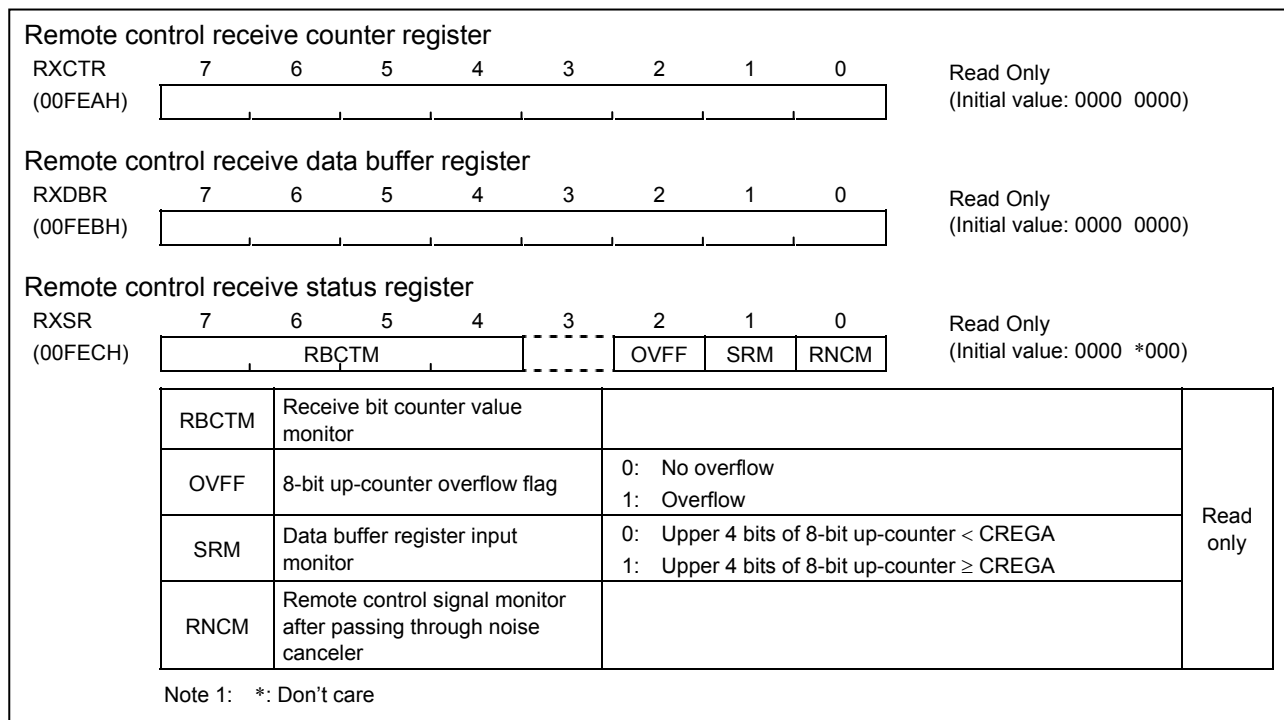


Figure 2.10.3 Remote Control Receive Counter Register, Data Buffer Register, Status Register

Table 2.10.1 Combination of Interrupt Source and Measurement Mode

RPOLS	EINT	RMM	Interrupt source	Measurement mode
0	00	00		
		10		
		11		
	01	01		
		10		
	11			
	10	-		
	11	11	00	Receive end
10				
1	00	00		
		10		
		11		
	01	01		
		10		
	11			
	10	-		
	11	11	00	Receive end
10				

2.10.3 Noise Elimination Time Setting

The remote control receive circuit has a noise canceler. By setting RNC in RXCR1, input signals shorter than the fixed time can be eliminated as noise.

Table 2.10.2 Noise Elimination Time Setting ($f_c = 16 \text{ MHz}$)

RNC	Minimum signal pulse width		Maximum noise width to be eliminated	
000	-		-	
001	$(2^5 + 5)/f_c$	(2.31 μs)	$(2^2 \times 7 - 1)/f_c$	(1.69 μs)
010	$(2^8 + 5)/f_c$	(16.31 μs)	$(2^5 \times 7 - 1)/f_c$	(13.88 μs)
011	$(2^9 + 5)/f_c$	(32.31 μs)	$(2^6 \times 7 - 1)/f_c$	(27.88 μs)
100	$(2^{10} + 5)/f_c$	(64.31 μs)	$(2^7 \times 7 - 1)/f_c$	(55.88 μs)
101	$(2^{11} + 5)/f_c$	(128.3 μs)	$(2^8 \times 7 - 1)/f_c$	(111.9 μs)
110	$(2^{13} + 5)/f_c$	(512.3 μs)	$(2^{10} \times 7 - 1)/f_c$	(447.9 μs)
111	$(2^{14} + 5)/f_c$	(1.024 ms)	$(2^{11} \times 7 - 1)/f_c$	(895.9 μs)

2.10.4 Operation

- (1) Interrupts at rising, falling, or rising/falling edge, and measurement modes

First set EINT and RMM. Next, set RCS to "1"; the 8-bit up-counter is counted up by the internal clock. After measurement, the 8-bit up-counter value is saved in RXCTR. Then, the 8-bit up-counter is cleared, an INT3 request is generated, and the 8-bit up-counter resumes counting.

If the 8-bit up-counter overflows (FFH) before measurement is completed, an INT3 request is generated and the overflow flag (OVFF) is set to "1". Then, the 8-bit up-counter is cleared. An overflow can be detected by reading OVFF by the interrupt processing. To restart the 8-bit up-counter, set RCS to "1".

Setting RCS to "1" zero-clears OVFF.

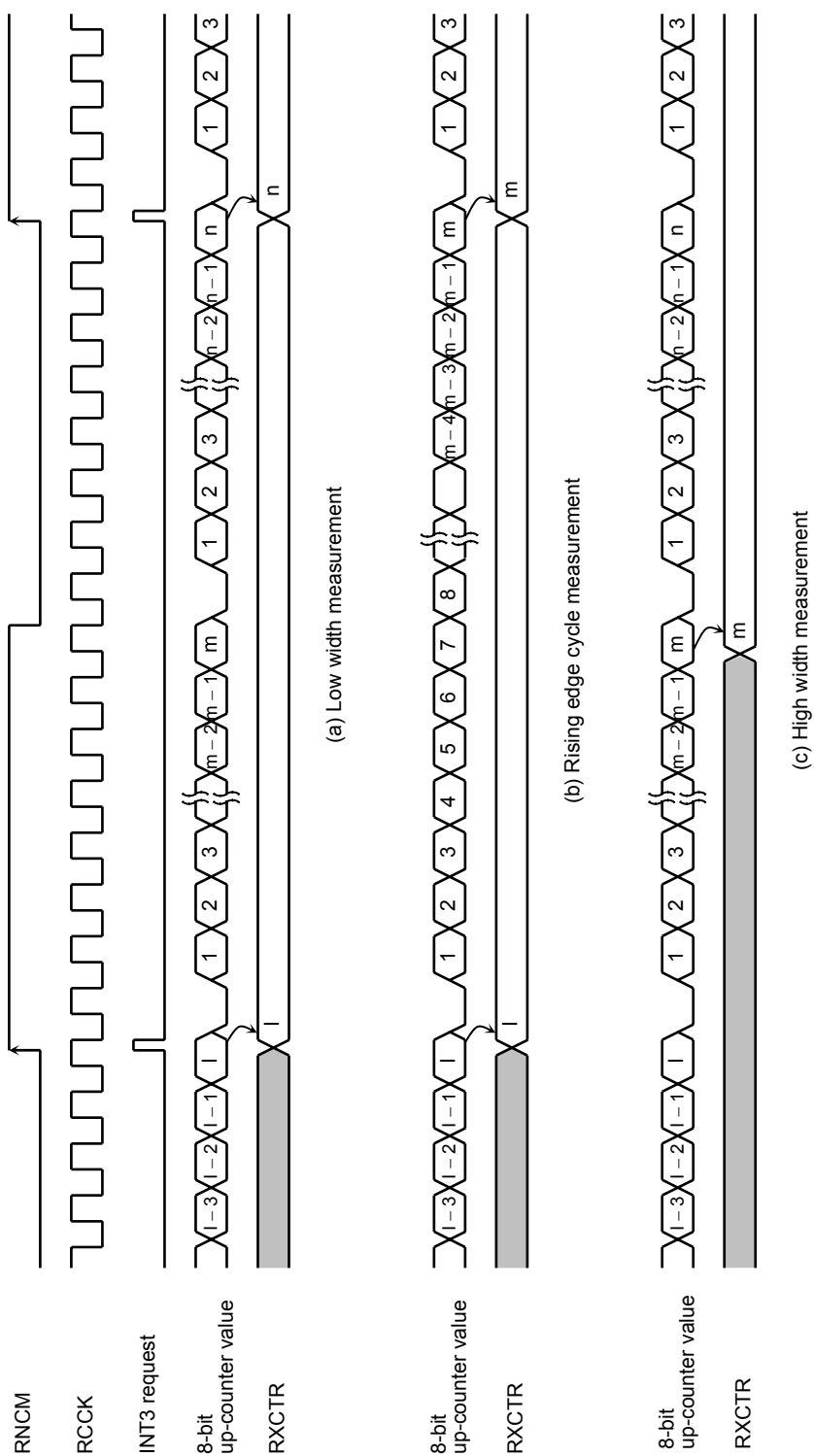


Figure 2.10.4 Rising Edge Interrupt Timing Chart (RPOLS = 0)

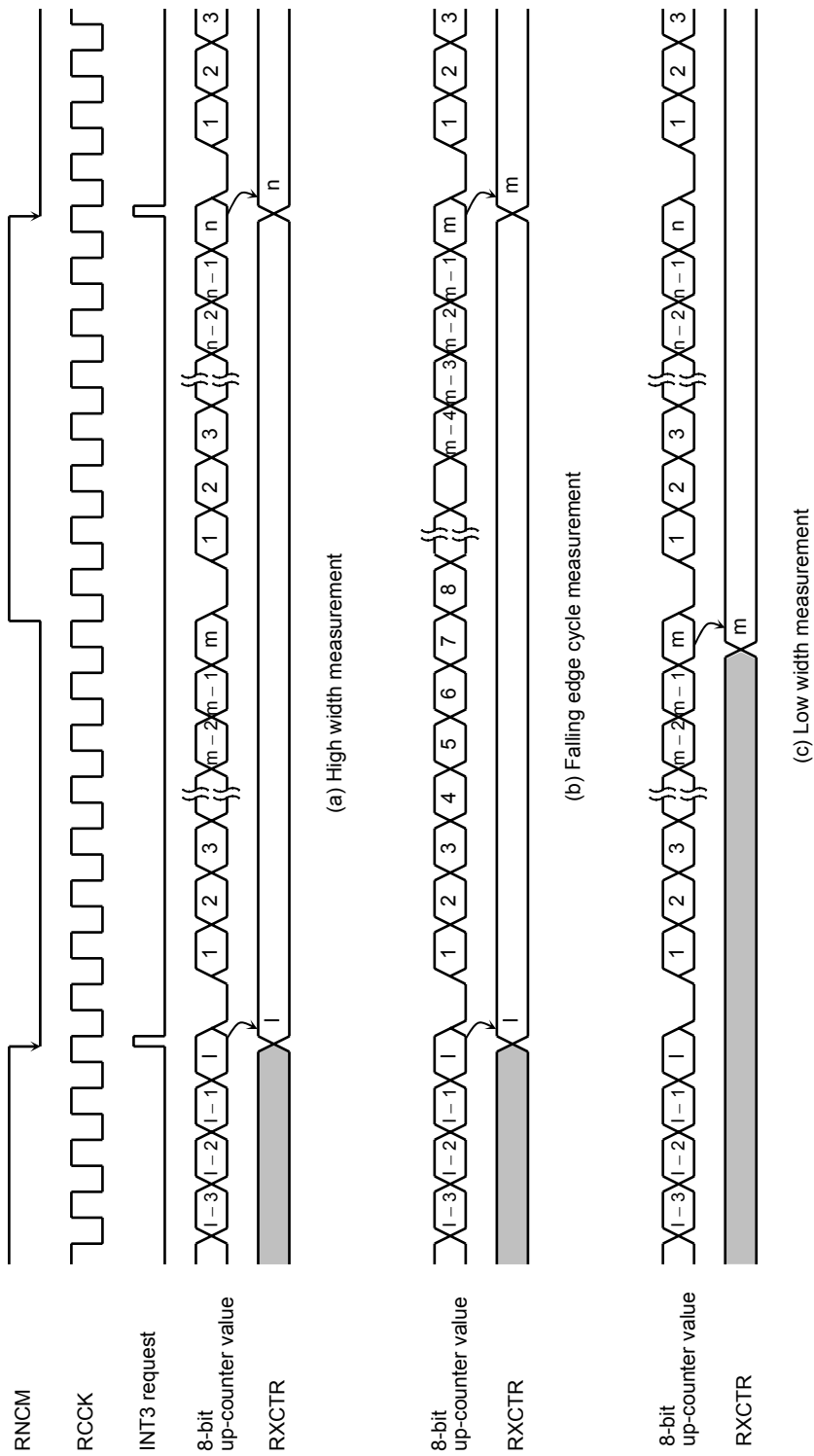
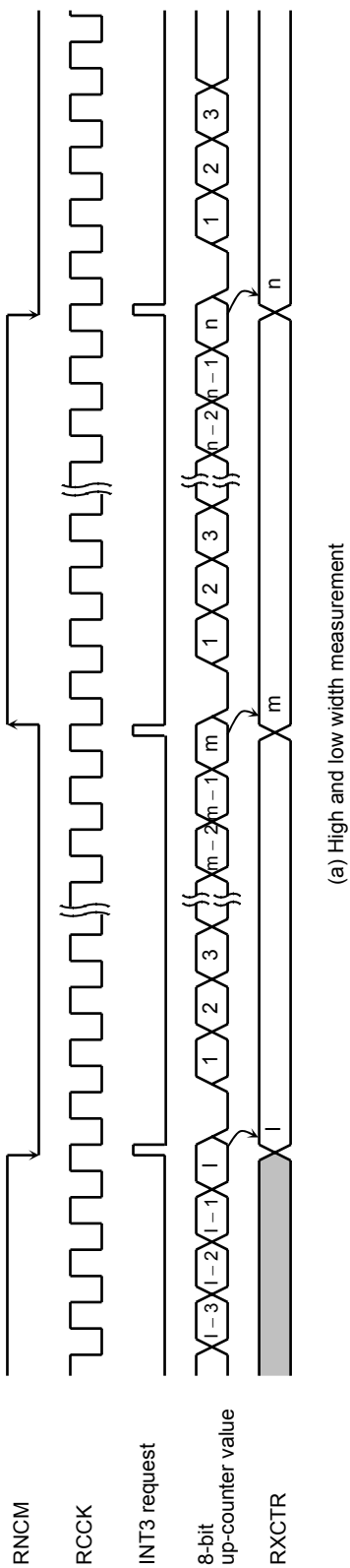


Figure 2.10.5 Falling Edge Interrupt Timing Chart (RPOLS = 0)



(a) High and low width measurement

Figure 2.10.6 Rising/Falling Edge Interrupt Timing Chart

(2) 8-bit receive end interrupts and measurement modes

By determining one-cycle remote control signal as one-bit data set to "0" or one-pulse width remote control signal as one-bit data set to "1", an INT3 request is generated after 8-bit data is received. When "0" is determined, this means the upper four bits in the 8-bit up-counter have not reached the CREGA value. When "1" is determined, this means the upper four bits in the 8-bit up-counter have reached or exceeded the CREGA value. The 8-bit up-counter value is saved in RXCTR after one bit is determined. The determined data is saved, bit by bit, in RXDBR at the rising edge of the remote control signal (when RPOLS = 1, falling edge). The number of bits saved in RXDBR is counted by the receive bit counter and saved in RBCTM. RBCTM is set to "0001B" at the rising edge of the input (when RPOLS = 1, falling edge) after the INT3 request is generated.

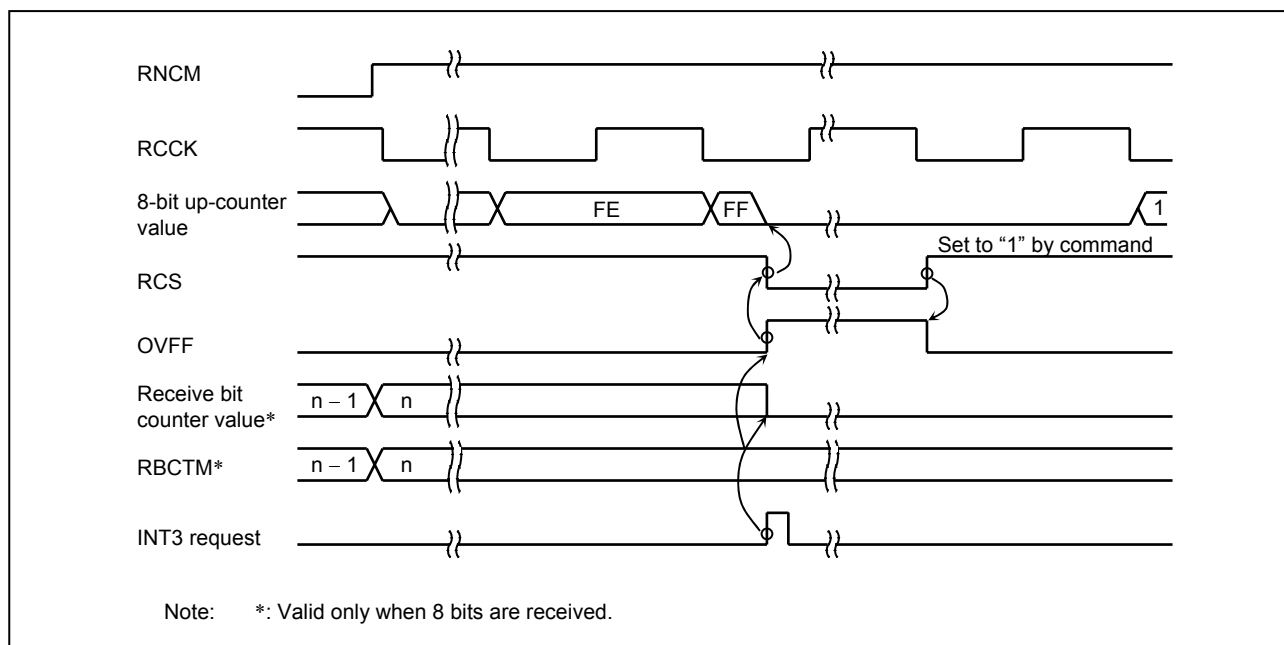


Figure 2.10.7 Overflow Interrupt Timing Chart

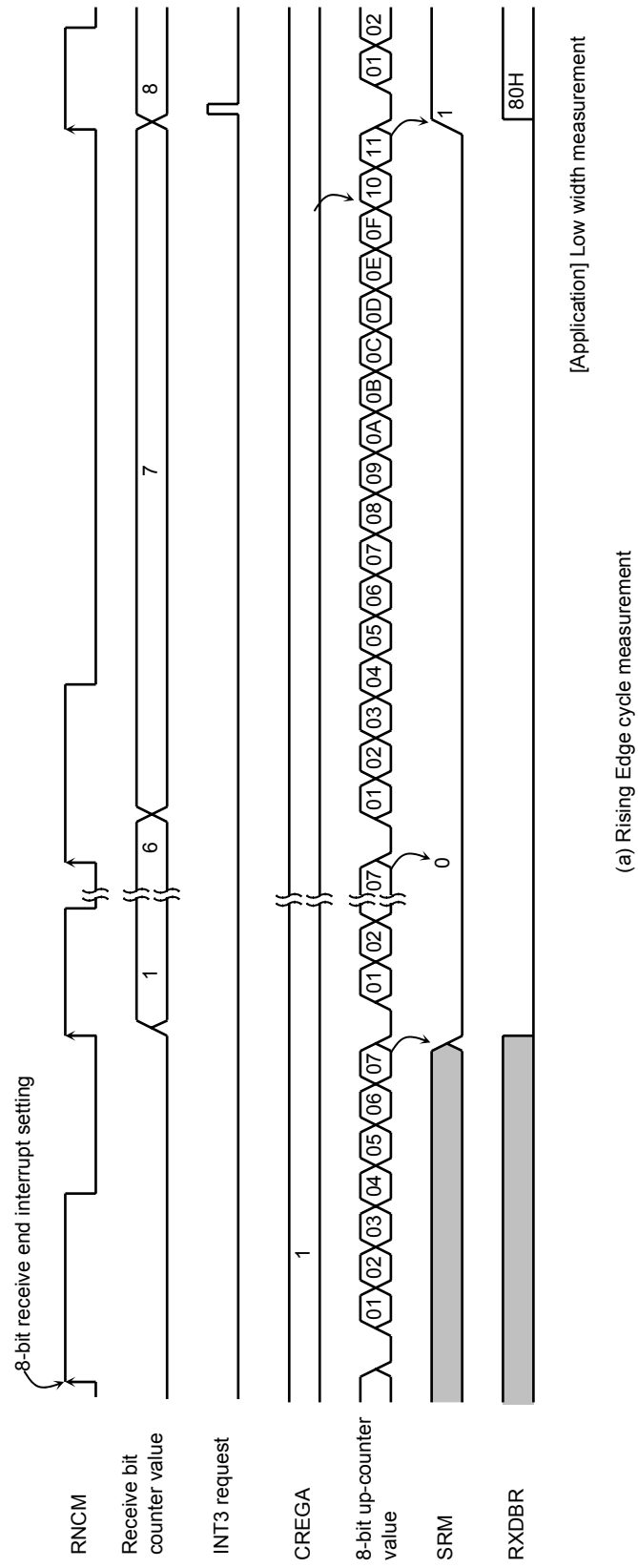


Figure 2.10.8 8-Bit Receive End Interrupt Timing Chart (RPOLS = 0)

Table 2.10.3 Count Clock for Remote Control Preprocessor Circuit (at $f_c = 16$ MHz)

Count clock (RCCK)	Resolution [μ s]	Maximum setting time [ms]
00	4	1.024
01	16	4.096
10	64	16.38
11	256	65.53

2.11 8-Bit AD Converter (ADC)

The TMP88CS34/CP34 has a 8-bit successive approximation type AD converter.

Figure 2.11.1 shows the circuit configuration of the AD converter.

The AD converter includes control registers ADCCRA and ADCCRB, conversion result registers ADCDR1 and ADCDR2, a DA converter, a sample hold circuit, a comparator, and sequential transducer circuit.

To use P5 and P6 as analog inputs, clear the output latch for P5 and P6 to "0". Also, clear the input/output control registers (P5CR1 and P6CR) to "0". P63 to P61 output "0" after a reset.

When these dual-function pins are used as ports, be sure to set ORP6S2 to "1".

2.11.1 Configuration

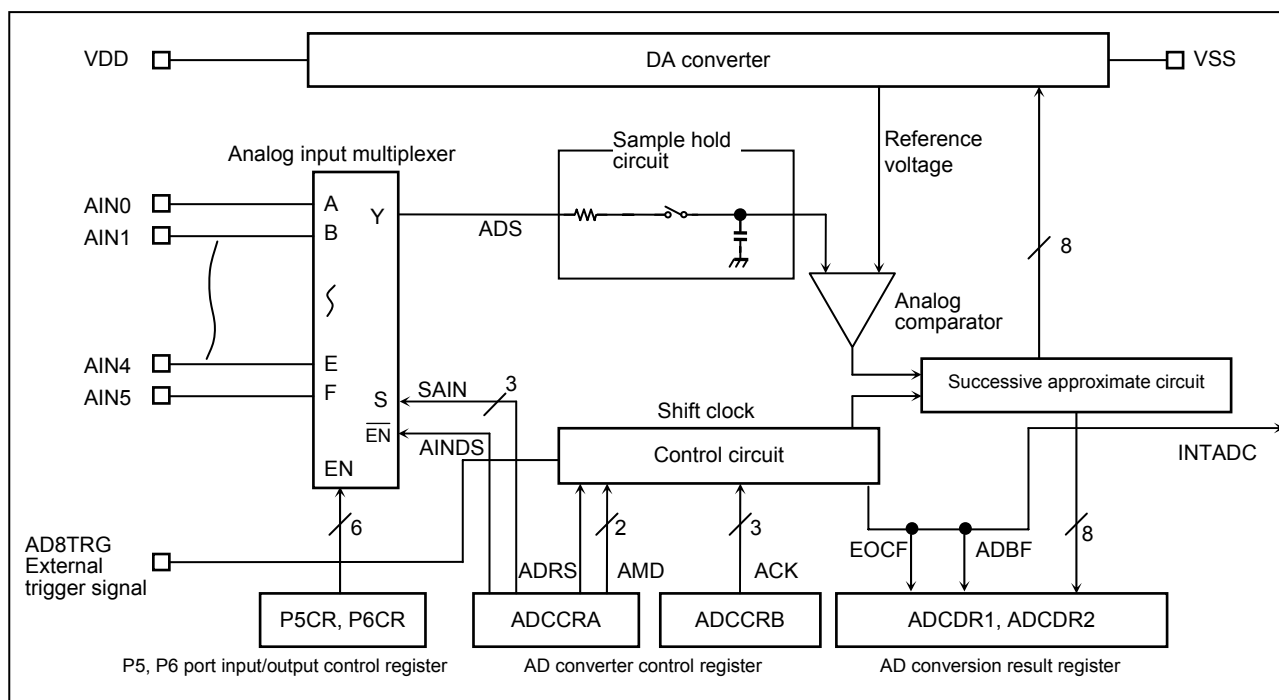


Figure 2.11.1 AD Converter (ADC)

2.11.2 Control Register

The following registers are used for the AD converter.

- AD converter control register 1 (ADCCRA)
- AD converter control register 2 (ADCCRB)
- AD conversion result register (ADCDR1/ADCDR2)

(1) AD converter control register 1 (ADCCRA)

ADCCRA controls AD conversion start, AD operation mode select, analog input control, and analog input channel select.

(2) AD converter control register 2 (ADCCRB)

ADCCRB controls AD conversion time select.

(3) AD conversion result register (ADCDR1)

AD conversion result is stored after end of conversion.

(4) AD conversion result register (ADCDR2)

For monitoring status of conversion.

Figure 2.11.2 and Figure 2.11.3 show AD converter control registers.

AD Converter Control Register 1										
ADCCRA	7	6	5	4	3	2 1 0				
(0000EH)	ADRS	AMD	AINDS	"0"	"0"	SAIN	(Initial value: 0001 0000)			
ADRS	AD conversion start		The ADRS bit is automatically cleared after starting AD conversion. During AD conversion, setting ADRS to "1" initializes the ADRS bit and resets conversion. 0: – 1: AD conversion restart			R/W				
AMD	AD Operating mode select		00: STOP mode 01: Software start mode 10: Trigger start mode 11: reserved							
AINDS	Analog input control		0: Analog input enable 1: Analog input disable							
SAIN	Analog input channel select		000: Selects AIN0 001: Selects AIN1 010: Selects AIN2 011: Selects AIN3 100: Selects AIN4 101: Selects AIN5 110: – 111: –							
<p>Note 1: Select analog input when AD converter stops.</p> <p>Note 2: When the analog input is all use disabling, the AINDS should be set to "1".</p> <p>Note 3: During conversion, do not perform output instruction to maintain a precision for all of the pins. And port near to analog input, do not input intense signaling of change.</p> <p>Note 4: The ADRS is automatically cleared to "0" after starting conversion.</p> <p>Note 5: Always set bit 3 in ADCCRA to "0".</p> <p>Note 6: Do not set ADRS (bit 7 in ADCCRA) to "1" during AD conversion. Re-set it after confirming with EOCF (bit 5 in ADCDR2) that the conversion is completed or after generating an interrupt signal (INTADC) (by the interrupt processing routine or the like).</p> <p>Note 7: In the trigger mode, the system does not accept the second and subsequent triggers after accepting the first trigger for starting AD conversion. To restart AD conversion by a trigger, set AMD (bits 6 and 5 in ADCCRA) to "00" and then put the system in trigger start mode again (with AMD = "10").</p> <p>Note 8: When the system enters STOP mode, AD converter control register 1 (ADCCRA) is initialized. Re-set this register after the system reenters NORMAL mode.</p>										
AD Converter Control Register 2										
ADCCRB	7	6	5	4	3	2 1 0				
(0000FH)			"0"	"1"	ACK	"0"	(Initial value: **0* 000*)			
ACK	AD conversion time select		ACK	Conversion time	DV1CK = 0		DV1CK = 1		R/W	
					fc = 16 MHz	fc = 8 MHz	fc = 16 MHz	fc = 8 MHz		
			000	Reserved						
			001	Reserved						
			010	Reserved						
			011	156/fc [s]	–	19.5	–	39		
			100	312/fc [s]	19.5	39.0	39	78		
			101	624/fc [s]	39.0	78.0	78	156		
110	1248/fc [s]	78.0	–	156	–					
111	Reserved									
<p>Note 1: Do not use setting except the above list.</p> <p>Note 2: Set conversion time by analog reference voltage (V_{DD}) as follows. $V_{DD} = 4.5$ to 5.5 V (15.6 μ or more)</p> <p>Note 3: Always set bit 0 and bit 5 in ADCCRB to "0" and set bit 4 in ADCCRB to "1".</p> <p>Note 4: When a read instruction for ADCCRB, bit 6 to 7 in ADCCRB read in as undefined data.</p> <p>Note 5: fc: High-frequency clock [Hz]</p> <p>Note 6: When the system enters STOP mode, AD converter control register 2 (ADCCRA) is initialized. Re-set this register after the system reenters NORMAL mode.</p>										

Figure 2.11.2 AD Converter Control Register

AD Conversion Result Register

ADCDR1 (00031H)	7	6	5	4	3	2	1	0	
	AD07	AD06	AD05	AD04	AD03	AD02	AD01	AD00	(Initial value: 0000 0000)
ADCDR2 (00032H)	7	6	5	4	3	2	1	0	
	-	-	EOCF	ADBF	-	-	-	-	(Initial value: **00 ****)

EOCF	AD conversion end flag	0: Under conversion or Before conversion 1: End of conversion	Read only
ADBF	AD conversion busy flag	0: During stop of AD conversion 1: During AD conversion	

Note 1: The EOCF is cleared to "0" when reading the ADCDR1.
Therefore, the AD conversion result should be read to ADCDR1 more first than ADCDR2.

Note 2: ADBF is set to "1" by starting AD conversion and cleared to "0" by end of AD conversion. Additionally, ADBF is cleared to "0" by setting AMD = "00" in ADCCR2 or entering to the STOP mode.

Note 3: If the pin is used as an analog input pin, reset the DGINE register to "0" to disable all inputs other than analog inputs.

Figure 2.11.3 AD Converter Result Register

2.11.3 AD Converter Operation

The high side of an analog reference voltage is applied to VDD, and the low side is applied to VSS pin. Dividing a reference voltage between VDD and VSS to the voltage corresponding to a bit by a rudder resistance and comparing it with the analog input voltage converts the AD.

Table 2.11.1 AD Converter Operation mode

Mode	Function
AD converter disable mode	AD converter stop mode. This mode is always used to change modes.
Software start mode	Single AD conversion of 1 channel which specifies input.
Trigger start mode	Single AD conversion of 1 channel which specifies input (AD8TRG) from Key-On-Wake-Up circuit as a trigger.

2.11.4 Interrupt

Interrupt request signal occur at the timing when the EOCF bit is set to "1".

2.11.5 AD Converter Operation Modes

When the MCU places in the STOP mode during the AD conversion, the conversion is stopped and the ADCDR2 content becomes indefinite. After returning from the STOP mode, the EOCF and INTADC does not occur. Therefore, the AD conversion must be restarted after returning from the STOP mode.

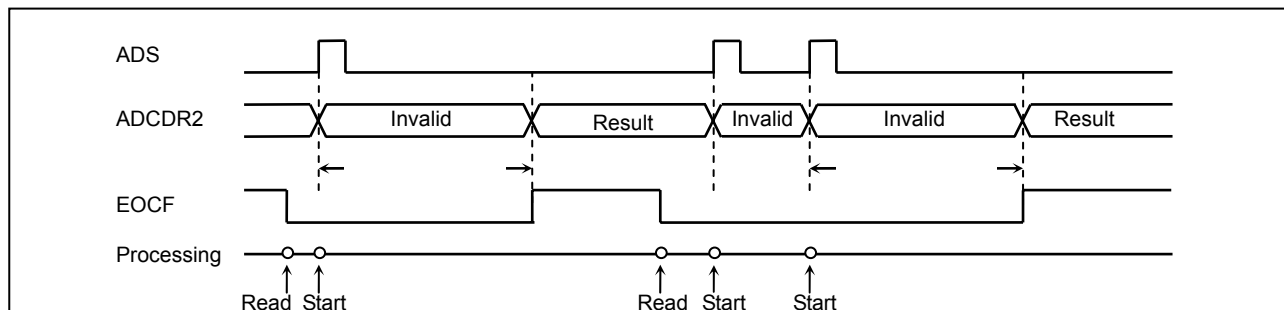


Figure 2.11.4 AD Conversion Timing Chart

(1) AD conversion in STOP mode

When the AD converter stop mode is specified during AD conversion, the AD conversion is stopped immediately. The AD conversion is not implemented, so the undefined value is not written to the AD conversion result register. The AD conversion start commands which occur in the AD converter stop mode are ignored.

This mode is automatically selected by reset.

This mode is used to change the AD converter operation mode.

(2) Single mode

When the AMD (bit 6, 5 in ADCCRA) set to "01", the AD conversion signal mode.

This mode does AD conversion of single channel, and conversion result is stored in ADCDR1. The EOCF (bit 5 in ADCDR2) is set to "1" at end of one conversion, and an interrupt request signal occurs. The EOCF is cleared to "0" by reading the AD conversion registers.

But when the AD conversion is restarted before the ADCDR is read, the EOCF is cleared to "0" and the last AD conversion result is maintained till next conversion end.

Do not set ADRS (bit 7 in ADCCRA) during AD conversion. Again set it after confirming with EOCF (bit 5 in ADCDR2) that the conversion is completed or after generating an interrupt signal (INTADC) (by the interrupt processing routine or the like).

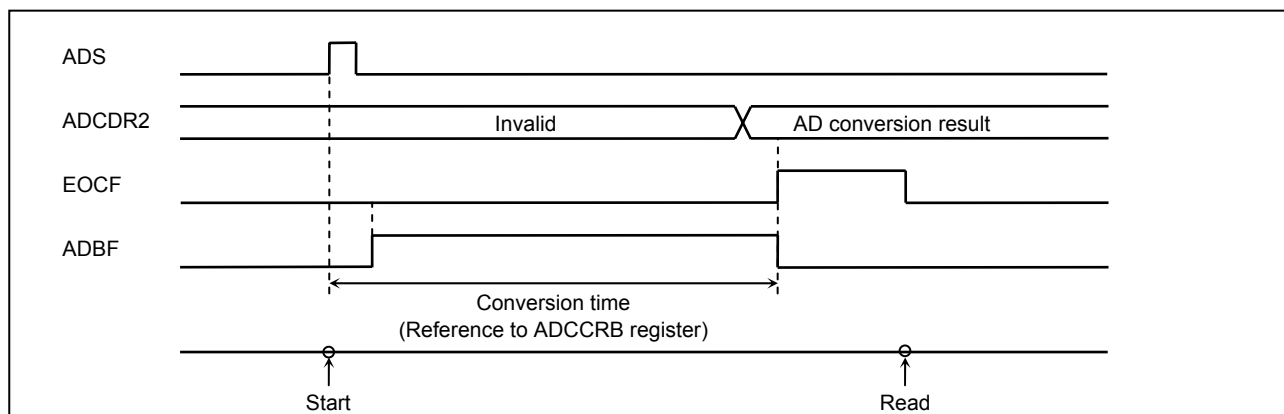


Figure 2.11.5 Single Mode

Example: The AD conversion starts after 19.5 μ s (at $f_c = 16$ MHz) and AIN4 pin are selected as the conversion time and the analog input channel. Confirming the EOCF, the converted value is read out, and the 8 bits data is stored to address 009EH in RAM. The operation mode is a signal mode.

```

; AIN SELECT
LD    (P5), 00000000B
LD    (P5CR1), 00000000B
LD    (P6), 00000000B
LD    (P6CR), 00000000B
LD    (ADCCRA), 00100100B    ; Selects AIN4, Selects the software start
                               ; mode
LD    (ADCCRB), 00011000B    ; Selects the conversion time and the
                               ; operation mode.

; AD CONVERT START
SET   (ADCCRA) . 7           ; ADRS = 1
SLOOP: TEST (ADCCR2) . 5     ; EOCF = 1 ?
JRS   T, SLOOP
; RESULT DATA READ
LD    (9EH), (ADCDR1)

```

(3) Trigger start mode

The AD conversion of a specified single channel is executed when input (AD8TRG) from Key-On-Wake-Up circuit is set as trigger, the conversion result is stored in the ADCDR1.

The EOCF (bit 5 in ADCDR2) is set to "1" at end of one conversion, and an interrupt request signal occurs.

It needs to be set the STOP mode by bit 5 to 6 in ADCCRA before the AD conversion is executed again.

2.11.6 Analog Input Voltage and AD Conversion Result

The analog input voltage is corresponded to the 8-bit digital value converted by the AD as shown in Figure 2.11.6.

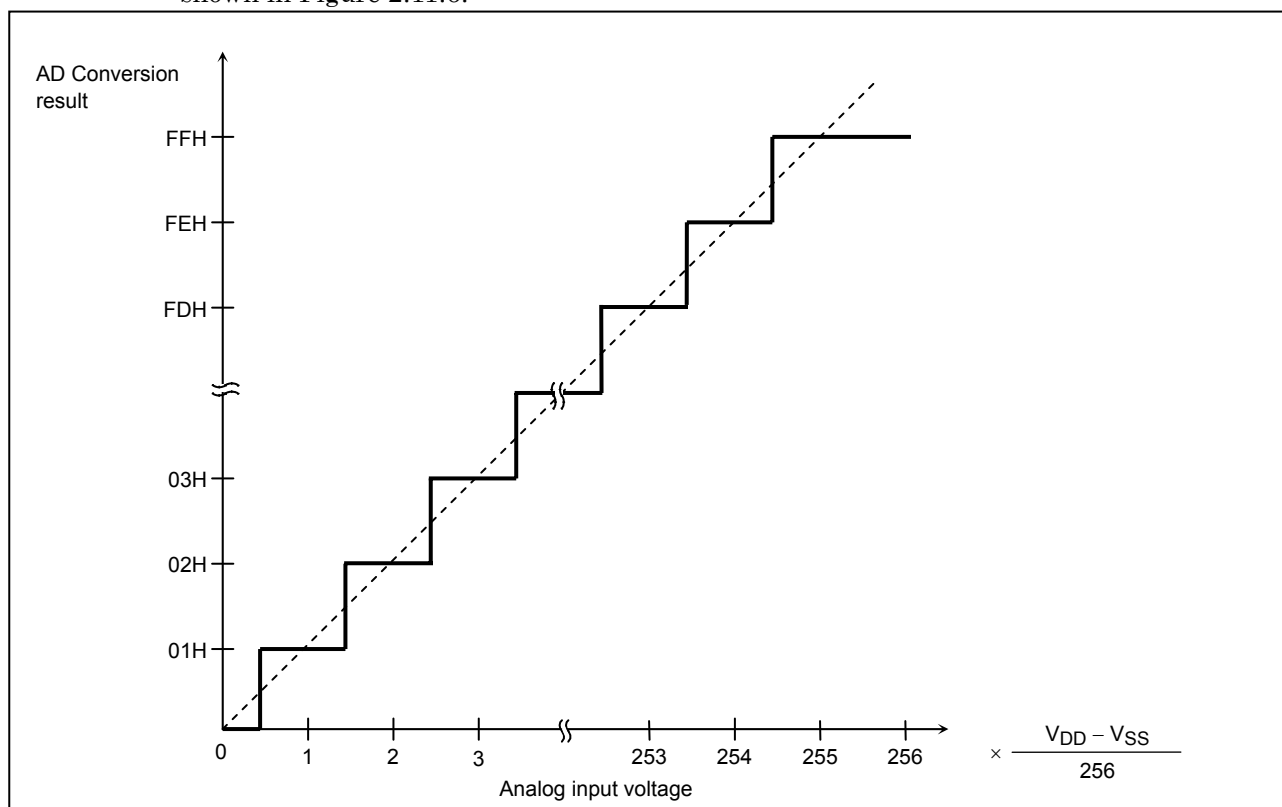


Figure 2.11.6 Analog Input Voltage and AD Conversion Result (typ.)

2.11.7 STOP Modes during AD Conversion

When standby mode (STOP mode) is entered forcibly during AD conversion, the AD convert operation is suspended and the AD converter is initialized. (ADCCRA and ADCCRB are initialized to initial value.) Also, the conversion result is indeterminate. (Conversion results up to the previous operation are cleared, so be sure to read the conversion results before entering standby mode.) When restored from standby mode, AD conversion is not automatically restarted, so it is necessary to restart AD conversion after setting ADCCRA and ADCCRB. Note that since the analog reference voltage is automatically disconnected, there is no possibility of current flowing into the analog reference voltage.

2.11.8 Notice of AD converter

(1) Analog input voltage range

Voltage range of analog input (AIN0 to AIN5) must be forced from V_{SS} to V_{DD} . If input voltage of which out of range is forced to analog input pin, AD conversion result to unknown. Also, this cause other analog input pin unstable.

(2) I/O port with analog input

Analog input pins (AIN0 to AIN5) are also I/O port. During AD conversion using any analog input pin, don't operate other I/O port with analog input. Because, AD accuracy would be worse. Also, other electrically swinging port without analog input may cause noise to near analog input pin.

(3) Reduce to noise

Figure 2.11.7 is shown as internal equivalent circuit of analog input pin.

Increasing output impedance of analog input supply, cause noise or other non-good condition.

Therefore, output impedance of analog input supply must be less than $5k\Omega$.

And we recommend to connect capacitance to analog input pin.

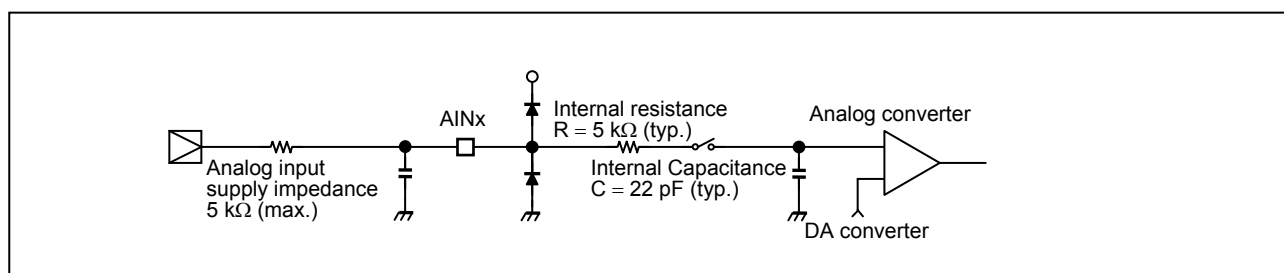


Figure 2.11.7 Analog Input Equivalent Circuit and Analog Input Pin

2.12 Key-On-Wake-Up

In this MCU the IDLE mode is also released by Low active port inputs. The low input voltage is regulated higher than the other normal ports. Therefore the ports can be enabled by analog input level.

2.12.1 Configuration

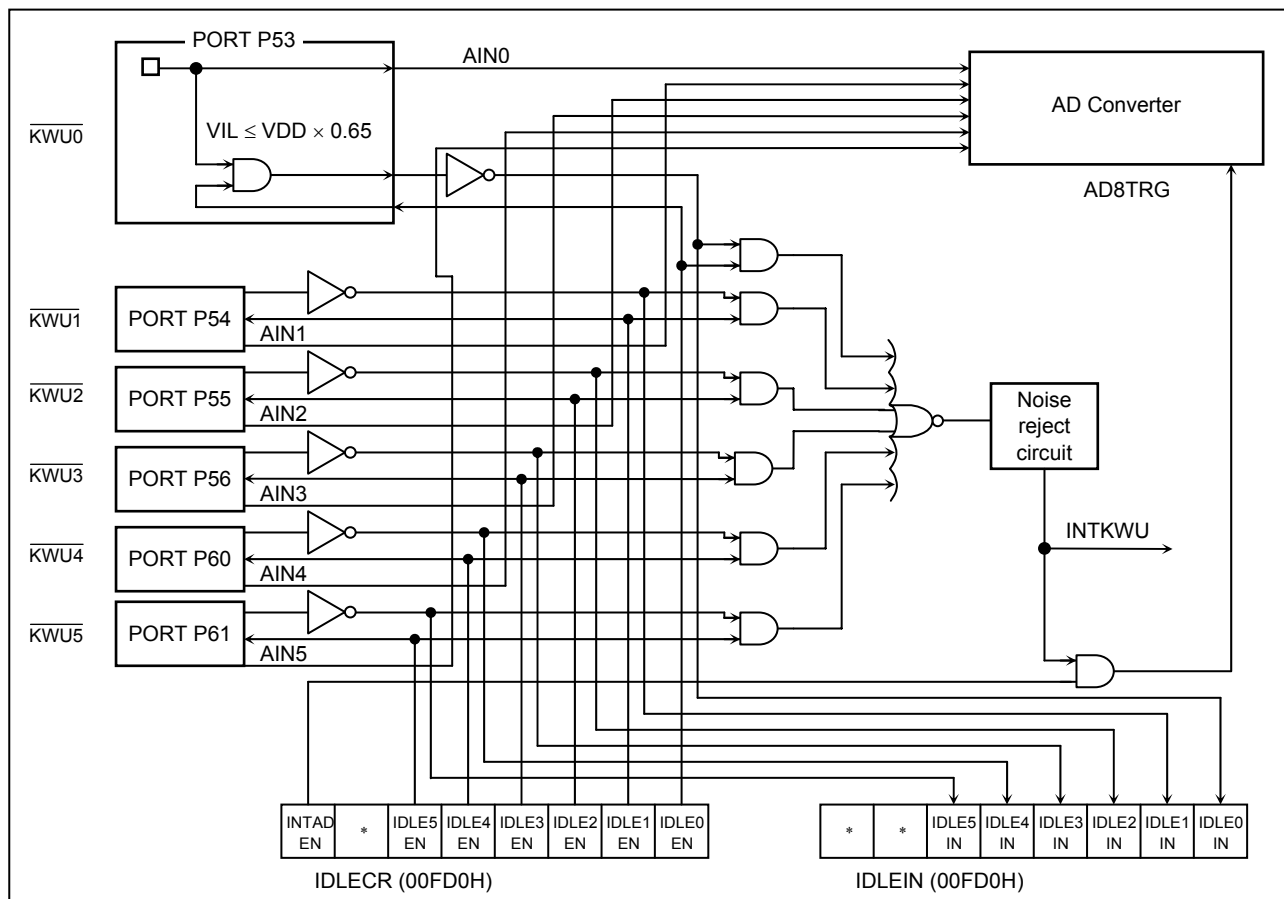


Figure 2.12.1 Key-On-Wake-Up Control Circuit

2.12.2 Control

P53 to P56 and P60, P61 ports can be controlled by IDLE control register (IDLECR).

It can be configured as enable/disable in one-bit unit. When those pins are used by IDLE mode release, those pins must be set input mode (P5CR1, P5, P6CR, P6, ADCCRA).

IDLE mode is controlled by system control register 2 (SYSCR2) and maskable interrupts. After the individual enable flag (EF5) is set to "1", the IDLE mode must start. When enabled port input generates INTKWU interrupt, the IDLE mode is released. Low level input voltage in those ports is regulated to less than $VDD \times 0.65$ (V).

IDLE port monitoring register (IDLEIN) can be used to check state of ports.

INTADEN can enable to generate AD8TRG, which is used as trigger of AD converter trigger start mode.

Noise reject circuit eliminate noise, which is less than 24 μ s period.

IDLE control register									
IDLECR (00FD0H)	7	6	5	4	3	2	1	0	(Initial value: 0*00 0000)
	INTAD EN	*	IDLE5 EN	IDLE4 EN	IDLE3 EN	IDLE2 EN	IDLE1 EN	IDLE0 EN	
	INTADEN	Generation of $\overline{AD8TRG}$				0: Disable 1: Enable			Write only
	IDLE5EN	Release IDLE mode by $\overline{KWU5}$				0: Disable 1: Enable			
	IDLE4EN	Release IDLE mode by $\overline{KWU4}$				0: Disable 1: Enable			
	IDLE3EN	Release IDLE mode by $\overline{KWU3}$				0: Disable 1: Enable			
	IDLE2EN	Release IDLE mode by $\overline{KWU2}$				0: Disable 1: Enable			
	IDLE1EN	Release IDLE mode by $\overline{KWU1}$				0: Disable 1: Enable			
	IDLE0EN	Release IDLE mode by $\overline{KWU0}$				0: Disable 1: Enable			
Note : *: Don't care									
IDLE port monitoring register									
IDLEIN (00FD0H)	7	6	5	4	3	2	1	0	(Initial value: **00 0000)
	*	*	IDLE5 IN	IDLE4 IN	IDLE3 IN	IDLE2 IN	IDLE1 IN	IDLE0 IN	
	IDLE5IN	Input level of $\overline{KWU5}$				0: "0" detect 1: "1" detect			Read only
	IDLE4IN	Input level of $\overline{KWU4}$				0: "0" detect 1: "1" detect			
	IDLE3IN	Input level of $\overline{KWU3}$				0: "0" detect 1: "1" detect			
	IDLE2IN	Input level of $\overline{KWU2}$				0: "0" detect 1: "1" detect			
	IDLE1IN	Input level of $\overline{KWU1}$				0: "0" detect 1: "1" detect			
	IDLE0IN	Input level of $\overline{KWU0}$				0: "0" detect 1: "1" detect			
Note : *: Don't care									

Figure 2.12.2 Key-On-Wake-Up Control Register

2.13 Pulse Width Modulation Circuit Output

The TMP88CS34/CP34 has four 12-bit resolution PWM output channels including two 14-bit resolution selectable.

DA converter output can easily be obtained by connecting an external low-pass filter. PWM outputs are multiplexed with general purpose I/O ports as; P40 ($\overline{\text{PWM0}}$) to P43 ($\overline{\text{PWM3}}$). PWM output is negative logic. When these ports are used PWM outputs, the corresponding bits of P4, P5 output latches and input/output control latches should be set to "1".

In STOP mode, PWM output pin keeps high-level. When operation mode is changed from STOP mode to NORMAL mode, PWM control register (PWMCRA, PWMCRA) are initialized.

2.13.1 Configuration

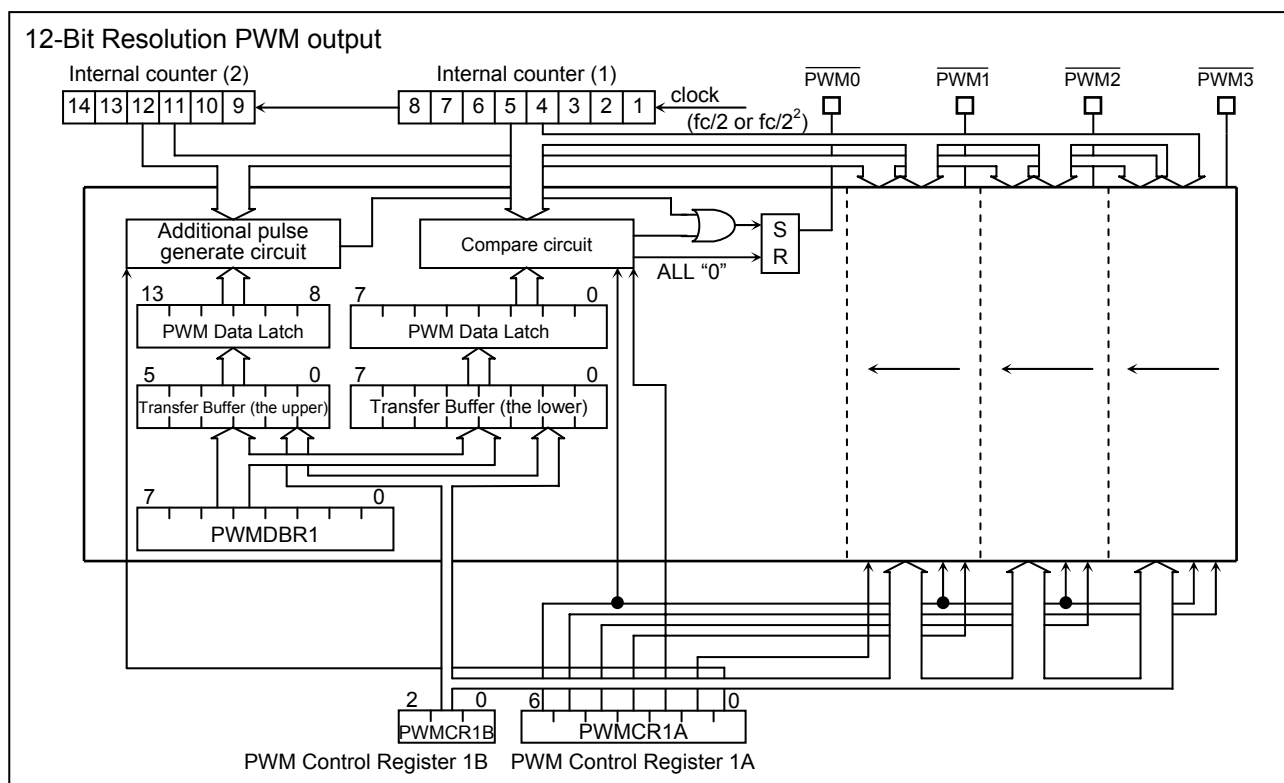


Figure 2.13.1 PWM Output Circuit

2.13.2 PWM Output Wave Form

(1) $\overline{\text{PWM0}}$ to $\overline{\text{PWM1}}$ Outputs

$\overline{\text{PWM0}}$ and $\overline{\text{PWM1}}$ output can be selected 12-bit or 14-bit resolution PWM outputs.

1. 12-bit Resolution PWM Output

When these are used as 12-bit PWM output, one period is $T_M = 2^{13}/f_c$ [s] (When $DV1CK = 0$) and $T_M = 2^{14}/f_c$ [s] (When $DV1CK = 1$) and sub-period is $T_S = T_M/16$.

The lower 8-bit of the PWM data latch controls the low level pulse width with a cycle of T_S . The lower 8-bit of the PWM data latch is n ($n = 1$ to 255), the low level pulse width with a cycle becomes $n \times t_0$ [s] ($t_0 = 2/f_c$ [s] when $DV1CK = 0$, $t_0 = 4/f_c$ [s] when $DV1CK = 1$).

The upper 4-bit of the PWM data latch controls a position to output the additional pulses. When the upper 4-bit of the PWM data latch is m , the additional pulses are generated in each of m periods out of 16 periods contained in a T_M period.

The relationship between the 4-bit data and the position of T_S period where the additional pulses are generated is shown in Table 2.13.1.

Table 2.13.1 The addition pulse (12 bit mode)

	Bit position of the lower 4 bits of PWMDRxH				Relative position of T_S in T_M period where the additional pulse is generated. (Number of T_S (j) is listed)
	Bit 11	Bit 10	Bit 9	Bit 8	
a)	0	0	0	0	No additional pulse
b)	0	0	0	1	8
c)	0	0	1	0	4, 12
d)	0	1	0	0	2, 6, 10, 14
e)	1	0	0	0	1, 3, 5, 7, 9, 11, 13, 15

Note 1: The bit positions of a) to e) can be combined.

Note 2: If the low order eight bits for the PWM data latch are set to "FFH", be sure to set the high order four bits for this latch to "00H".

2. 14-bit Resolution PWM Output

When these are used as 14-bit PWM output, one period is $T_M = 2^{15}/f_c$ [s] (When $DV1CK = 0$) and $T_M = 2^{16}/f_c$ [s] (When $DV1CK = 1$) and sub-period is $T_S = T_M/64$.

The lower 8-bit of the PWM data latch controls the low level pulse width with a cycle of T_S . The lower 8-bit of the PWM data latch is n ($n = 1$ to 255), the low level pulse width with a cycle becomes $n \times t_0$ [s] ($t_0 = 2/f_c$ [s] when $DV1CK = 0$, $t_0 = 4/f_c$ [s] when $DV1CK = 1$).

The upper 6-bit of the PWM data latch controls a position to output the additional pulses. When the upper 6-bit of the PWM data latch is m , the additional pulses are generated in each of m periods out of 64 periods contained in a T_M period.

The relationship between the 6-bit data and the position of T_S period where the additional pulses are generated is shown in Table 2.13.2.

Table 2.13.2 The addition pulse (14 bit mode)

	Bit position of the lower 6 bits of PWMDRxH						Relative position of T_S in T_M period where the additional pulse is generated. (Number of T_S (j) is listed)
	Bit 13	Bit 12	Bit 11	Bit 10	Bit 9	Bit 8	
a)	0	0	0	0	0	0	No additional pulse
b)	0	0	0	0	0	1	32
c)	0	0	0	0	1	0	16, 48
d)	0	0	0	1	0	0	8, 24, 40, 56
e)	0	0	1	0	0	0	4, 12, 20, 28, 36, 44, 52, 60
f)	0	1	0	0	0	0	2, 6, 10, 14, 18, 22, 26, 30, 34, 38, 42, 46, 50, 54, 58, 62
g)	1	0	0	0	0	0	1, 3, 5, 7, 9, 11, 13, 15, 17, 19, 21, 23, 25, 27, 29, 31, 33, 35, 37, 39, 41, 43, 45, 47, 49, 51, 53, 55, 57, 59, 61, 63

Note 1: The bit positions of a) to g) can be combined.

Note 2: If the low order eight bits for the PWM data latch are set to "FFH", be sure to set the high order six bits for this latch to "00H".

(2) $\overline{\text{PWM2}}$ to $\overline{\text{PWM3}}$ Outputs

$\overline{\text{PWM2}}$ and $\overline{\text{PWM3}}$ output are 12-bit resolution PWM outputs.

One period is $T_M = 2^{13}/f_c$ [s] (When DV1CK = 0) and $T_M = 2^{14}/f_c$ [s] (When DV1CK = 1) and sub-period is $T_S = T_M/16$.

The lower 8-bit of the PWM data latch controls the low level pulse width with a cycle of T_S . The lower 8-bit of the PWM data latch is n ($n = 1$ to 255), the low level pulse width with a cycle becomes $n \times t_0$ [s] ($t_0 = 2/f_c$ [s] when DV1CK = 0, $t_0 = 4/f_c$ [s] when DV1CK = 1).

The upper 4-bit of the PWM data latch controls a position to output the additional pulses. When the upper 4-bit of the PWM data latch is m , the additional pulses are generated in each of m periods out of 16 periods contained in a T_M period.

The relationship between the 4-bit data and the position of T_S period where the additional pulses are generated is shown in Table 2.13.1.

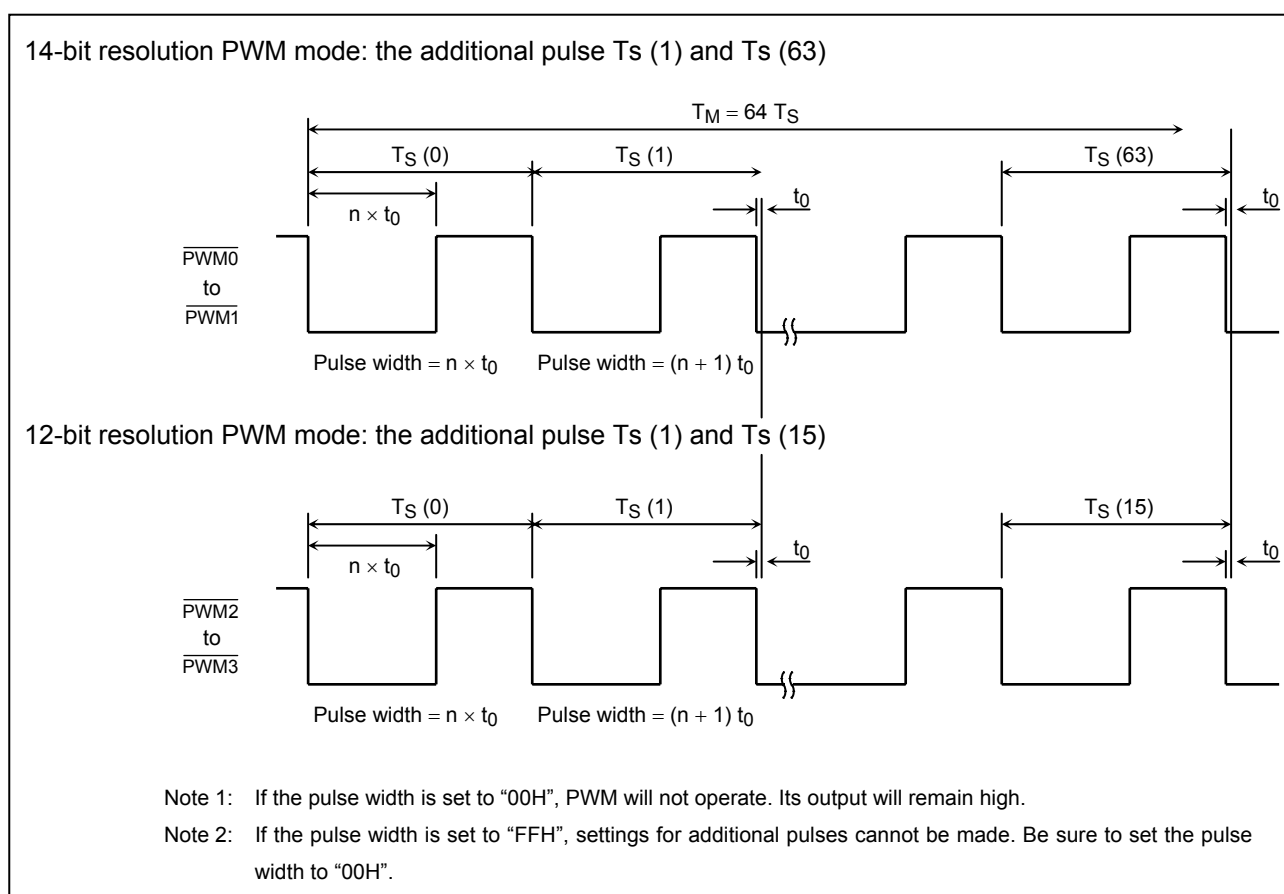


Figure 2.13.2 PWM Output Wave Form

2.13.3 Control

PWM output is controlled by PWM Control Register (PWMCR1A, PWMCR1B) and PWM Data Buffer Register (PWMDBR1).

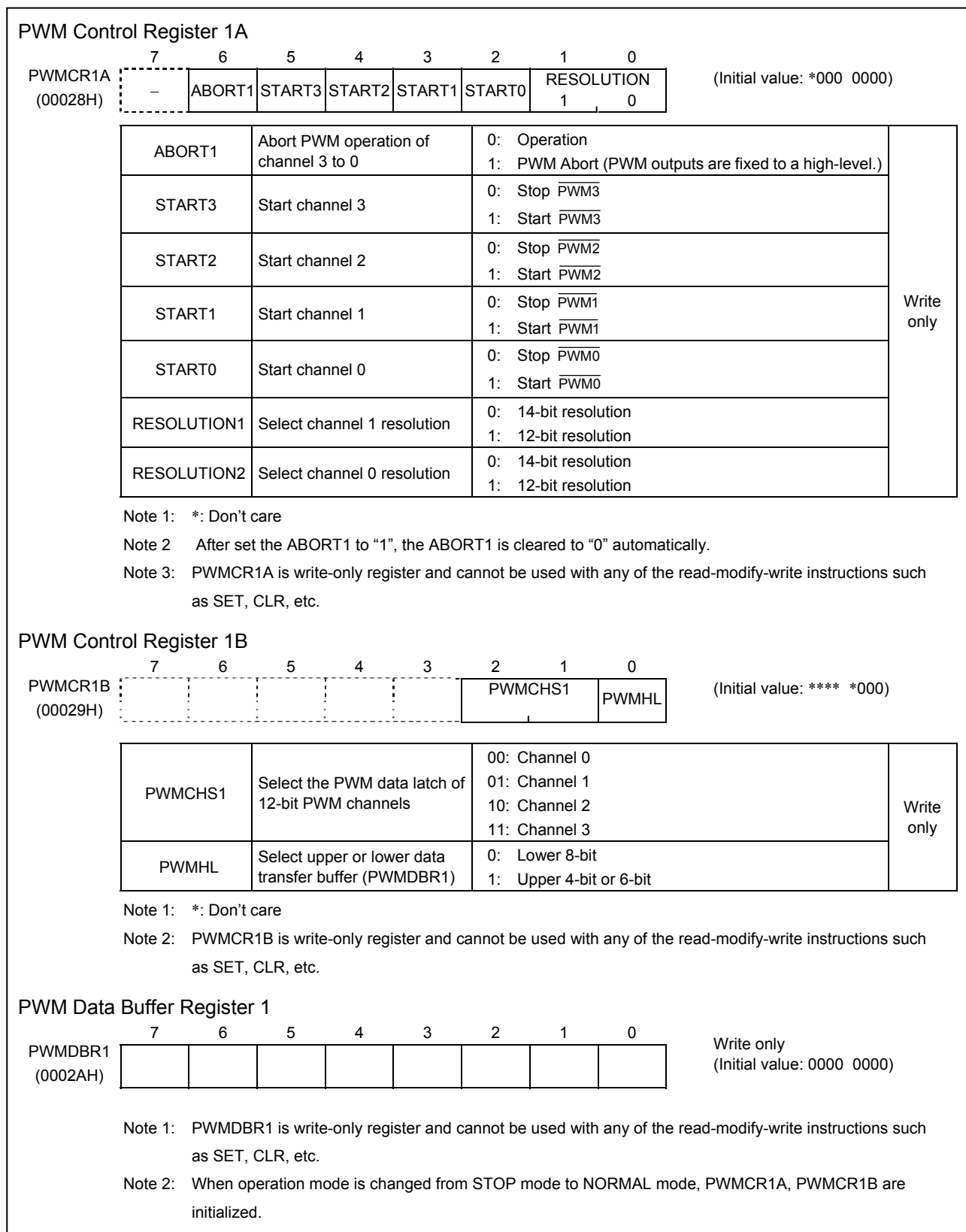


Figure 2.13.3 PWM Control Register 1A/1B and PWM Data Buffer Register 1

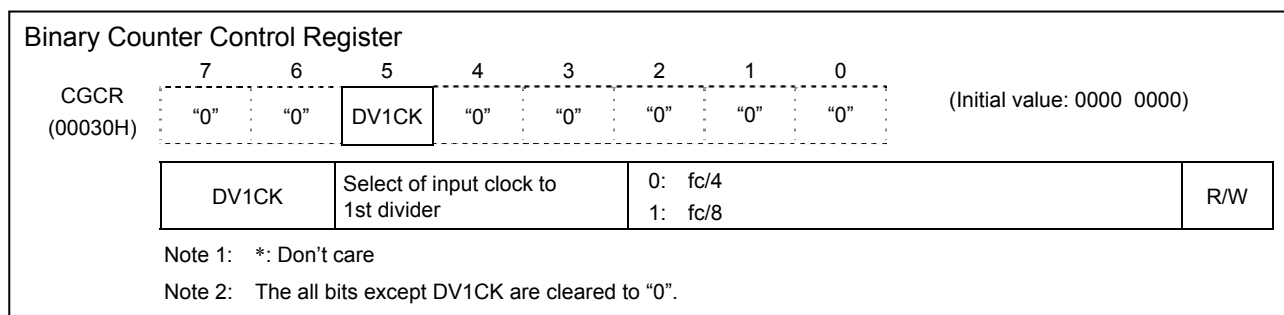


Figure 2.13.4 DIVIDER Control Register

(1) Internal Counter

The internal counter of PWM outputs is a free running counter. The all bits of counter are set to "1" and are not counted up at one of the following conditions.

1. During reset
2. The operation mode is changed to STOP mode.
3. Setting ABORT1 to "1".
4. The START3 to 0 are "0" in 12-bit PWM outputs.
5. The lower 8-bit of PWM data latch in 12-bit PWM outputs is "00H". The PWM data latch in 7-bit PWM outputs is "00H".

(2) Outputs control and Programming of PWM data

The PWM outputs are fixed to a high-level immediately when the ABORT1 is set to "1". The PWM outputs starts the operation when the START_x (x: 0 to 3) is set to "1".

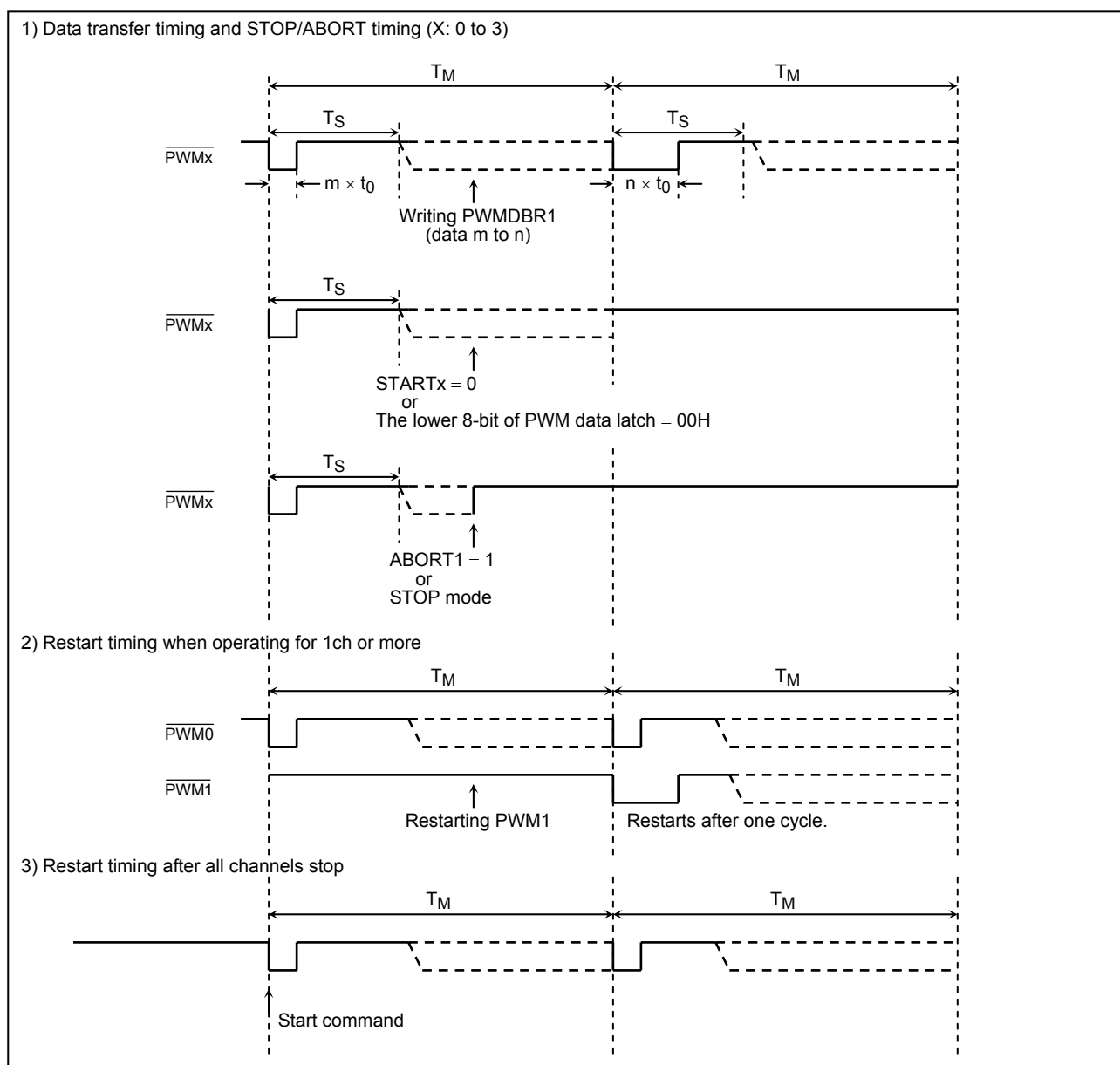
The data from the transfer buffer to a PWM data latch is transferred when the all bits of internal counter are set to "1". Therefore, the data is transferred to a PWM data latch immediately when the internal counter is initialized. And the data is transferred to a PWM data latch at the beginning of the next cycle when all bits of the internal counter are not set to "1".

The sequence of writing the output data to PWM data latches is shown as follows;

1. $\overline{\text{PWM0}}$ to $\overline{\text{PWM1}}$
 - a. Write the channel number of PWM data latch to PWMCHS1 (bit 2 and 1 in PWMCR1B) and clear PWMHL (bit 0 in PWMCR1B) to "0".
 - b. Write the lower 8-bit PWM output data to PWMDBR1.
 - c. Write the channel number of PWM data latch to PWMCHS1 and set PWMHL to "1".
 - d. Write the upper 4-bit or 6-bit PWM output data to PWMDBR1.
 - e. Select the resolution of PWM output to RESOLUTION_x (x: 0, 1) (bit 0 and 1 in PWMCR1A) and set START_x (x: 0, 1) (bit 2 and 3 in PWMCR1B) to "1".

Note: PWM output data must be write to PWMDBR1 in the order of the lower 8-bit PWM output data, the upper 4-bit (or 6-bit) PWM output data. If the upper 4-bit (or 6-bit) PWM output data is write to PWMDBR1, the lower 8-bit PWM output data is not changed (Except when lower 8-bit PWM output data is "00H").

2. $\overline{\text{PWM2}}$ to $\overline{\text{PWM3}}$
 - a. Write the channel number of PWM data latch to PWMCHS1 and clear PWMHL to "0".
 - b. Write the lower 8-bit PWM output data to PWMDBR1.
 - c. Write the channel number of PWM data latch to PWMCHS1 and set PWMHL to "1".
 - d. Write the upper 4-bit PWM output data to PWMDBR1.
 - e. Set STARTx (x: 2, 3) to "1".

Figure 2.13.5 Wave form of $\overline{\text{PWM0}}$ to $\overline{\text{PWM3}}$

Note: PWM output data must be write to PWMDBR1 in the order of the lower 8-bit PWM output data, the upper 4-bit (or 6-bit) PWM output data. If the upper 4-bit (or 6-bit) PWM output data is write to PWMDBR1, the lower 8-bit PWM output data is not changed (Except when lower 8-bit PWM output data is "00H").

Example: At $f_c = 16 \text{ MHz}$, $DV1CK = 0$

$\overline{\text{PWM0}}$ pin outputs a 14-bit resolution PWM wave form with a low-level of $32 \mu\text{s}$ width and no additional pulse.

$\overline{\text{PWM1}}$ pin outputs a 12-bit resolution PWM wave form with a low-level of $16 \mu\text{s}$ width and no additional pulse.

```
LD (CGCR), 00H      ; DV1CK = 0

LD (PWMCR1B), 00H   ; Select the lower 8-bit of  $\overline{\text{PWM0}}$  output data latch
LD (PWMDBR1), 80H   ;  $32 \mu\text{s} \div 4/f_c = 80\text{H}$ 
LD (PWMCR1B), 01H   ; Select the upper 6-bit of  $\overline{\text{PWM0}}$  output data latch
LD (PWMDBR1), 00H   ; No additional pulse = 00H
LD (PWMCR1B), 02H   ; Select the lower 8-bit of  $\overline{\text{PWM0}}$  output data latch
LD (PWMDBR1), 40H   ;  $16 \mu\text{s} \div 4/f_c = 40\text{H}$ 
LD (PWMCR1B), 03H   ; Select the upper 4-bit of  $\overline{\text{PWM0}}$  output data latch
LD (PWMDBR1), 01H   ; Additional pulse ( $T_s(8)$ ) = 01H
LD (PWMCR1A), 0DH   ; Start  $\overline{\text{PWM0}}$  and  $\overline{\text{PWM1}}$ ,
                    ;  $\overline{\text{PWM0}}$ : 14-bit resolution,  $\overline{\text{PWM1}}$ : 12-bit resolution
```

2.14 On-Screen Display (OSD) Circuit

The TMP88CS34/CP34 features a built-in on-screen display circuit used to display characters and symbols on the TV screen. There are 383 characters of mono font and 96 characters of color font (447 characters of mono font and 64 characters of color font) and any characters can be displayed in an area of 32 columns \times 12 lines (include 2 columns for solid space). With an OSD interrupt, additional lines can be displayed.

OSD circuit functions are as follows :

- (1) Number of character fonts : mono font 383 and color font 96
mono font 447 and color font 64
- (2) Number of display characters : 384 (32 columns \times 12 lines).
- (3) Composition of character : horizontal 16 \times vertical 18 dots
- (4) Character sizes : 3 kinds for large, middle and small characters
(Selectable line by line)
- (5) Character ornamentation function
 - Fringing function : mono font
 - Smoothing function : mono font
 - Slant function (Italics) : mono font
 - Blinking function
 - Underline
- (6) Solid space
- (7) Area plane function : 2 planes
- (8) Full-raster blanking function
- (9) Display colors
 - Character colors : 8 or 27 colors (selectable character by character)
 - Fringe color : 8 or 27 colors (selectable page by page)
 - Background color : 8 or 27 colors (selectable page by page)
 - Area plane color : 8 or 27 colors (selectable each of 2 planes)
 - Raster color : 8 or 27 colors (selectable page by page)
- (10) Display position : 256 horizontal steps and 625 vertical steps for code plane
: 512 horizontal steps and 625 vertical steps for Area plane
- (11) Window function : 625 vertical steps
- (12) Half transparency output function
- (13) 27 colors display function
- (14) Color palette
- (15) PAL100/NTSC120 display

Note: The function of the OSD circuit don't meet the requirements of on-screen display functions of closed caption decoders based on FCC standards.

The TMP88CS34/CP34 outputs OSD through 3 planes; code, area, and raster. 3 planes function independently. In addition, they are displayed simultaneously. There is the priority among these 3 planes, so they are displayed on a screen according to the priority.

These 3 planes have the priority such as

Code > Area > Raster.

1. Code plane

OSD character is displayed on the code plane.

The code plane consists of 32 characters \times 1 row and a total of 12 planes. The 12 planes have the priority such as code 1 > code 2 >...> code 11 > code 12.

On the code plane, characters of 16 \times 18 dots is displayed. These fonts are called characters, and read from character ROM and display memory through the character code on the display memory.

2. Area plane

The area on a screen is displayed on the area plane.

The area plane can display 2 square areas of any size by specifying coordinates. The 2 planes have the priority such as area plane 1 > area plane 2.

2.14.1 OSD Configuration

Shown below is the block diagram of the OSD circuit.

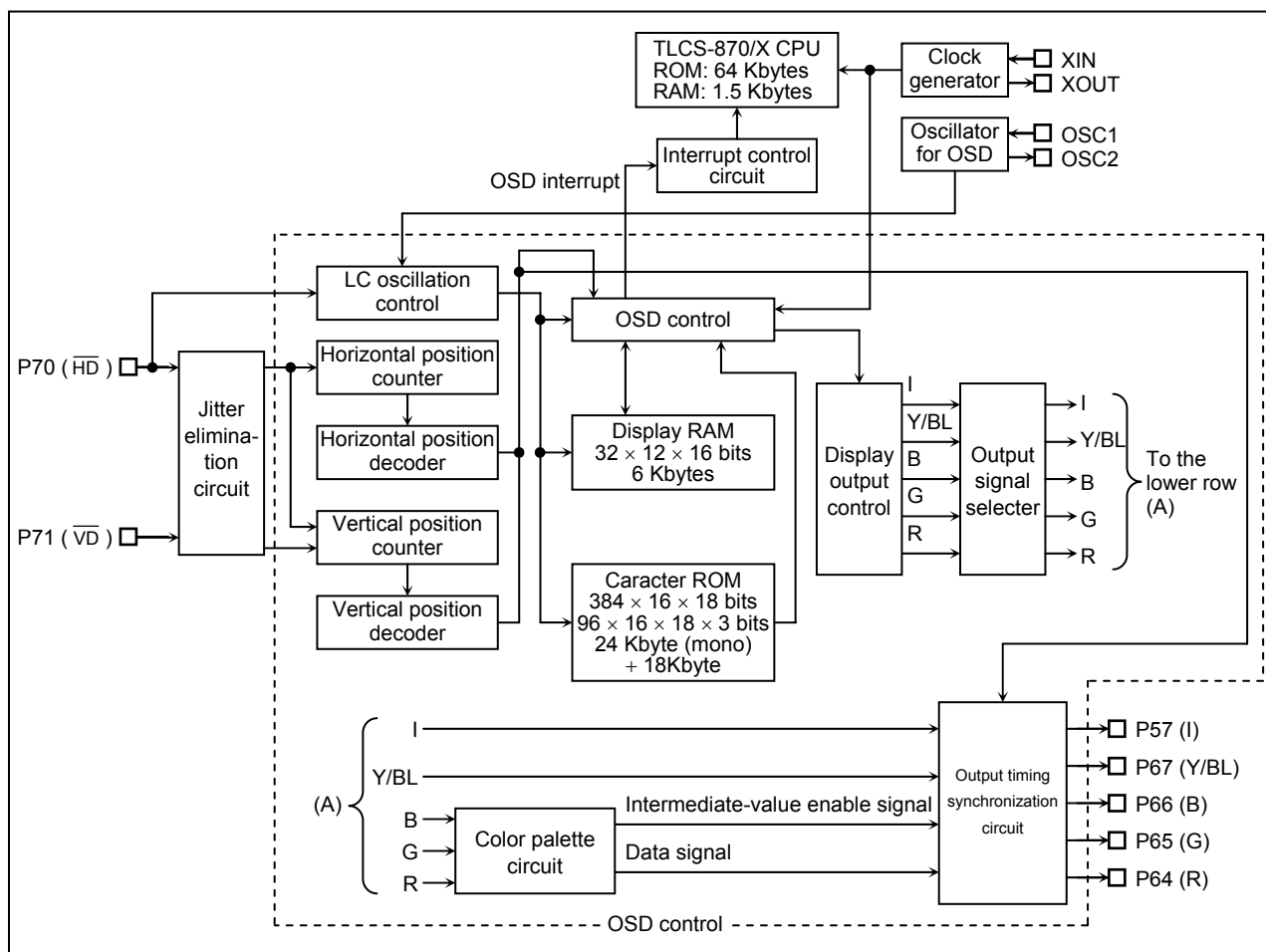


Figure 2.14.1 OSC Block Diagram

2.14.2 Monochrome and Color Fonts

The TMP88CS34 can display both monochrome and color fonts.

The monochrome font is intended for monochromatic display. Each character in the font consists of 18 vertical \times 16 horizontal dots. For the color font, each display dot in each character can be specified separately for R (red), G (green), and B (blue). Each character consists of 18 vertical \times 16 horizontal dots.

The monochrome and color fonts can be mixed on one display row.

2.14.3 Character ROM and Display Memory

(1) Character ROM

The character ROM incorporates 383 different monochrome font character data items and 96 different color font character data items (447 different monochrome font character data items and 64 different color font character data items). Users can define font data.

Each monochrome character ROM data item consists of 16×18 dots. Each monochrome font dot corresponds to one character ROM bit. A value of “1” represents a display state, and a value of “0” represents a non-display state.

Each color font character ROM data item consists of 16×18 dots for red, 16×18 dots for green, and 16×18 dots for blue. Each color font dot corresponds to three character ROM bits (with each bit corresponding to red, green, or blue).

The character ROM start address for each character code is calculated as listed in Table 2.14.1.

Table 2.14.1 Number of Character Patterns and Character Codes

Number of usable character patterns		Usable character codes		Register for switching number of fonts, ROMACH (bit 4 in ORDON)
Monochrome font	Color font	Monochrome font	Color font	
383	96	1 to 17FH	180H to 1DFH	0
447	64	1 to 17FH, 1C0H to 1FFH	180H to 1BFH	1

Table 2.14.2 Monochrome/Color Font Character ROM Start Address

ROMACH	Character ROM start address
0	Monochrome font (CRA = 1 to 17FH) Character ROM start address = $CRA \times 40H + 20000H$ Color font (CRA = 180H to 1DFH) Character ROM start address for red = $CRA \times 40H + 26000H$ Character ROM start address for green = $CRA \times 40H + 27800H$ Character ROM start address for blue = $CRA \times 40H + 29000H$
1	Monochrome font Character ROM start address = $CRA \times 40H + 20000H$ (CRA = 1 to 17FH) Character ROM start address = $CRA \times 40H + 27000H$ (CRA = 1C0H to 1DFH) Character ROM start address = $CRA \times 40H + 28C00H$ (CRA = 1E0H to 1EFH) Character ROM start address = $CRA \times 40H + 2A400H$ (CRA = 1F0H to 1FFH) Color font (CRA=180H to 1BFH) Character ROM start address for red = $CRA \times 40H + 26000H$ Character ROM start address for green = $CRA \times 40H + 27800H$ Character ROM start address for blue = $CRA \times 40H + 29000H$

Figure 2.14.2 (a) shows an example of configuring a character font (character code 001H) as well as monochrome font ROM addresses and the related data. Figure 2.14.2 (b) shows a character ROM dump list for this character font (character code 001H).

Figure 2.14.3 (a) shows an example of configuring a character font (character code 180H) as well as color font ROM addresses and the related data. Figure 2.14.4 (b) shows a character ROM dump list for this character font.

Note 1: A data cannot be read from character ROM by software.

Note 2: When ordering a mask, load the data to character ROM at addresses 20000H to 2A7FFH.
And the data in unused are of character ROM are must be specified to FFH.

Note 3: Do not use character code 000H

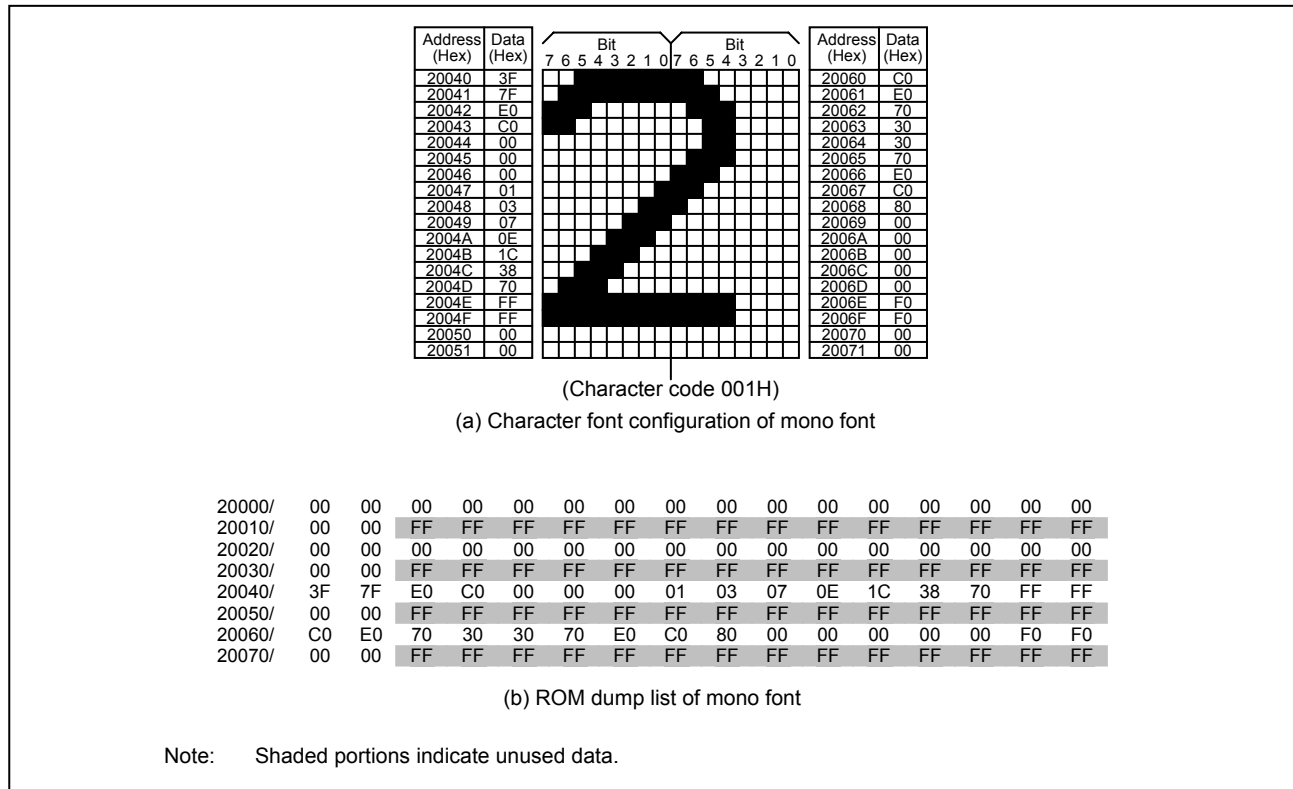


Figure 2.14.2 Character Font Configuration and ROM Dump List

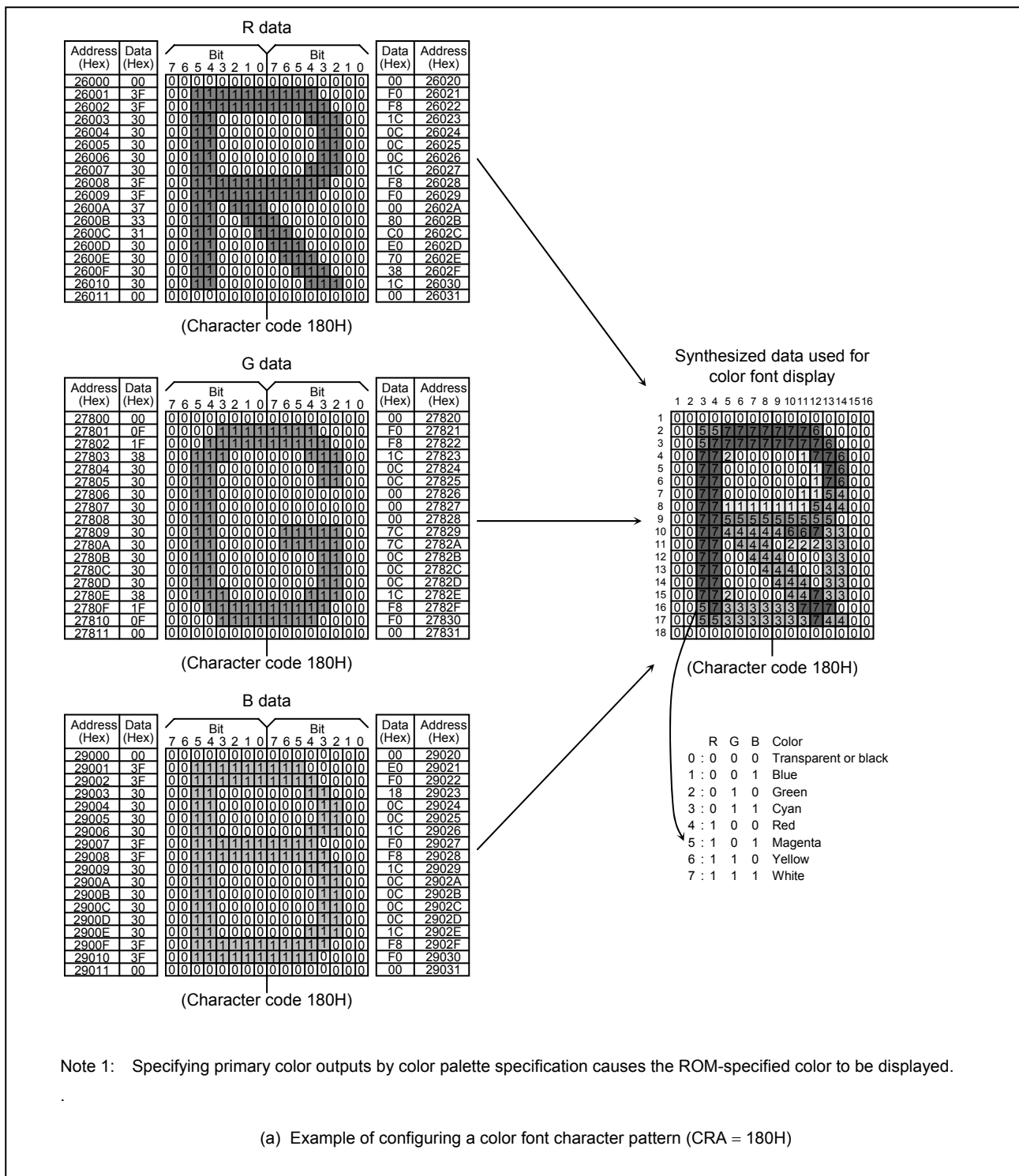


Figure 2.14.3 (1/2)

26000/	00	3F	3F	30	30	30	30	30	3F	3F	37	33	31	30	30	30
26010/	30	00	FF	FF	FF	FF	FF	FF	FF	FF	FF	FF	FF	FF	FF	FF
26020/	00	F0	F8	1C	0C	0C	0C	1C	F8	F0	00	80	C0	E0	70	38
26030/	1C	00	FF	FF	FF	FF	FF	FF	FF	FF	FF	FF	FF	FF	FF	FF
27800/	00	0F	1F	38	30	30	30	30	30	30	30	30	30	30	38	1F
27810/	0F	00	FF	FF	FF	FF	FF	FF	FF	FF	FF	FF	FF	FF	FF	FF
27820/	00	F0	F8	1C	0C	0C	00	00	00	7C	7C	0C	0C	0C	1C	F8
27830/	F0	00	FF	FF	FF	FF	FF	FF	FF	FF	FF	FF	FF	FF	FF	FF
29000/	00	3F	3F	30	30	30	30	3F	3F	30	30	30	30	30	30	3F
29010/	3F	00	FF	FF	FF	FF	FF	FF	FF	FF	FF	FF	FF	FF	FF	FF
29020/	00	E0	F0	18	0C	0C	1C	F0	F8	1C	0C	0C	0C	0C	1C	F8
29030/	F0	00	FF	FF	FF	FF	FF	FF	FF	FF	FF	FF	FF	FF	FF	FF

(b) Color font ROM dump list (CRA = 180H)

Note: Shading indicates data in unused areas.

Figure 2.14.4 (2/2)

(2) Display memory

Each character of the 384 characters displayed in 32 columns × 12 lines consists of 16 bits in the display memory. Five data items are written to the display memory: character code, color data, blinking specification, underline enable, and slant enable.

There are two modes for writing display data to the display memory. One mode is used for writing all display data (character code, color data, blinking specification, underline enable, and slant enable) simultaneously. The other mode is used for changing either character codes or the remaining data items (color data, blinking specification, underline enable, and slant enable). How to write display data to the display memory is described in section 2.14.6.7 (1).

Note: The display memory is in an unknown state at reset.

Display memory configuration

- Character code specification register (9 bits) CRA8 to CRA0
- Color data specification register (4 bits) IDT/RDT/GDT/BDT
- Blinking specification register (1 bit)..... BLF
- Underline enable register (1 bit) EUL
- Slant enable register (1 bit) SLNT
- Flag (1 bit) for specifying whether to turn on or off the character-specific background ECBKD

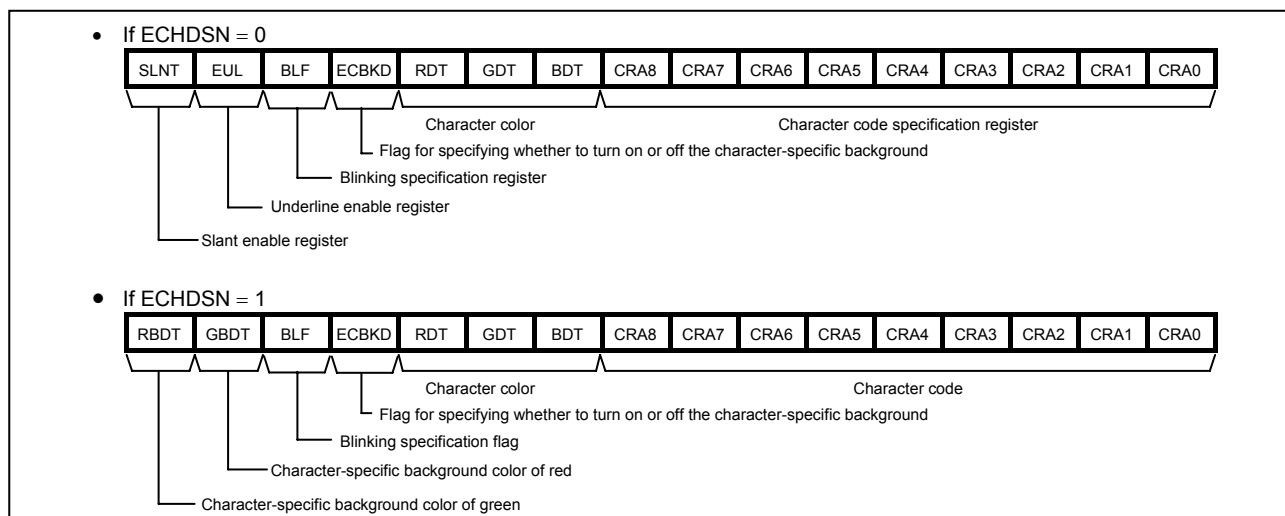


Figure 2.14.5 Display Memory Bit Configuration

Column	1	2	3	4	5	6	7	8	9	10	11	12	13	14	15	16	17	18	19	20	21	22	23	24	25	26	27	28	29	30	31	32		
Line	000	001	002	003	004	005	006	007	008	009	00A	00B	00C	00D	00E	00F	010	011	012	013	014	015	016	017	018	019	01A	01B	01C	01D	01E	01F		
2	020	021	022	023	024	025	026	027	028	029	02A	02B	02C	02D	02E	02F	030	031	032	033	034	035	036	037	038	039	03A	03B	03C	03D	03E	03F		
3	040																																	
4	060																																	
5	080																																	
6	0A0																																	
7	0C0																																	
8	0E0																																	
9	100																																	
10	120																																	
11	140																																	
12	160																																	17F

Note: Numerals in the table indicate (hexadecimal) addresses in the display memory.

Figure 2.14.6 Display Memory Address Configuration

(3) Color palette

The color palette can contain eight colors out of 27 colors and the display colors are specified by the color palette registers (ORCPT0-7). The color palette registers (ORCPT0-7) are assigned by the RGB setting register for each display mode (character, background, fringe, area, raster).

- RGB setting register values and their corresponding color palette registers

RGB = 000b → ORCPT0 RGB = 001b → ORCPT1
 RGB = 010b → ORCPT2 RGB = 011b → ORCPT3
 RGB = 100b → ORCPT4 RGB = 101b → ORCPT5
 RGB = 110b → ORCPT6 RGB = 111b → ORCPT7

- Configuration of the color palette registers

Register Name	Address	Bit 7	Bit 6	Bit 5	Bit 4	Bit 3	Bit 2	Bit 1	Bit 0	
				R		G		B		
ORCPT0	00FC6	CPT1MD1	0 (fixed)	CPT0R1	CPT0R0	CPT0G1	CPT0G0	CPT0B1	CPT0B0	Color palette composition register 0 CPT1MD1: OSD color select register (x = 1, 2) CPT1MD1 = 0: 8-color mode CPT1MD1 = 1: 27-color mode
ORCPT1	00FC7	-	-	CPT1R1	CPT1R0	CPT1G1	CPT1G0	CPT1B1	CPT1B0	Color palette composition register 1
ORCPT2	00FC8	-	-	CPT2R1	CPT2R0	CPT2G1	CPT2G0	CPT2B1	CPT2B0	Color palette composition register 2
ORCPT3	00FC9	-	-	CPT3R1	CPT3R0	CPT3G1	CPT3G0	CPT3B1	CPT3B0	Color palette composition register 3
ORCPT4	00FCA	-	-	CPT4R1	CPT4R0	CPT4G1	CPT4G0	CPT4B1	CPT4B0	Color palette composition register 4
ORCPT5	00FCB	-	-	CPT5R1	CPT5R0	CPT5G1	CPT5G0	CPT5B1	CPT5B0	Color palette composition register 5
ORCPT6	00FCC	-	-	CPT6R1	CPT6R0	CPT6G1	CPT6G0	CPT6B1	CPT6B0	Color palette composition register 6
ORCPT7	00FCD	-	-	CPT7R1	CPT7R0	CPT7G1	CPT7G0	CPT7B1	CPT7B0	Color palette composition register 7

- Color palette setting and output colors

27-color mode (CPT1MD1 = 1) 3-value output

n = 0 to 7	x = R	x = G	x = B
CPTnx1/CPTnx0 = 1/1	Bright red	Bright green	Bright blue
CPTnx1/CPTnx0 = 1/0 or 0/1	Dark red	Dark green	Dark blue
CPTnx1/CPTnx0 = 0/0	No output	No output	No output

8-color mode (CPT1MD1 = 0) 2-value output

n = 0 to 7	x = R	x = G	x = B
CPTnx1/CPTnx0 = 1/1	Bright red	Bright green	Bright blue
CPTnx1/CPTnx0 = 1/0 or 0/1	Bright red	Bright green	Bright blue
CPTnx1/CPTnx0 = 0/0	No output	No output	No output

- Setting the display colors

The color palette registers are assigned by setting RGB data for each display mode. The display colors are then specified in the color palette registers.

Setting the character color to bright red and the background color to dark blue for the code plane.

- Setting character color: After setting the character code, set ORDSN (RDT = 0, GDT = 1, BDT = 0). (Assign a color palette register.)
RGB-010b corresponds to color palette register ORCPT2.
To set the character color to bright red, set ORCPT2=00110000b. (Set the display color in color palette register.)
- Setting background color: Set background setting register ORBK (0FA5h) (RBDT = 0, GBDT = 0, BBDT = 1). (Assign a color palette register.)
RGB = 001b corresponds to color palette register ORCPT1.
To set the background color to dark blue, set ORCPT1 = 00000001b. (Set the display color in color palette register.)

(4) Color font

For the color font, the display color (R, G, B) can be specified on a dot-by-dot basis. The size of the color font is 18 dots long by 16 dots wide, which is the same as the size of the normal font (mono font). A dot of the color font is comprised of three bits. Font data is combination of three bits (R, G, B) and they are arranged in the order of R (upper), G (middle), B (lower). The color palette registers are assigned by combining these three bits of data.

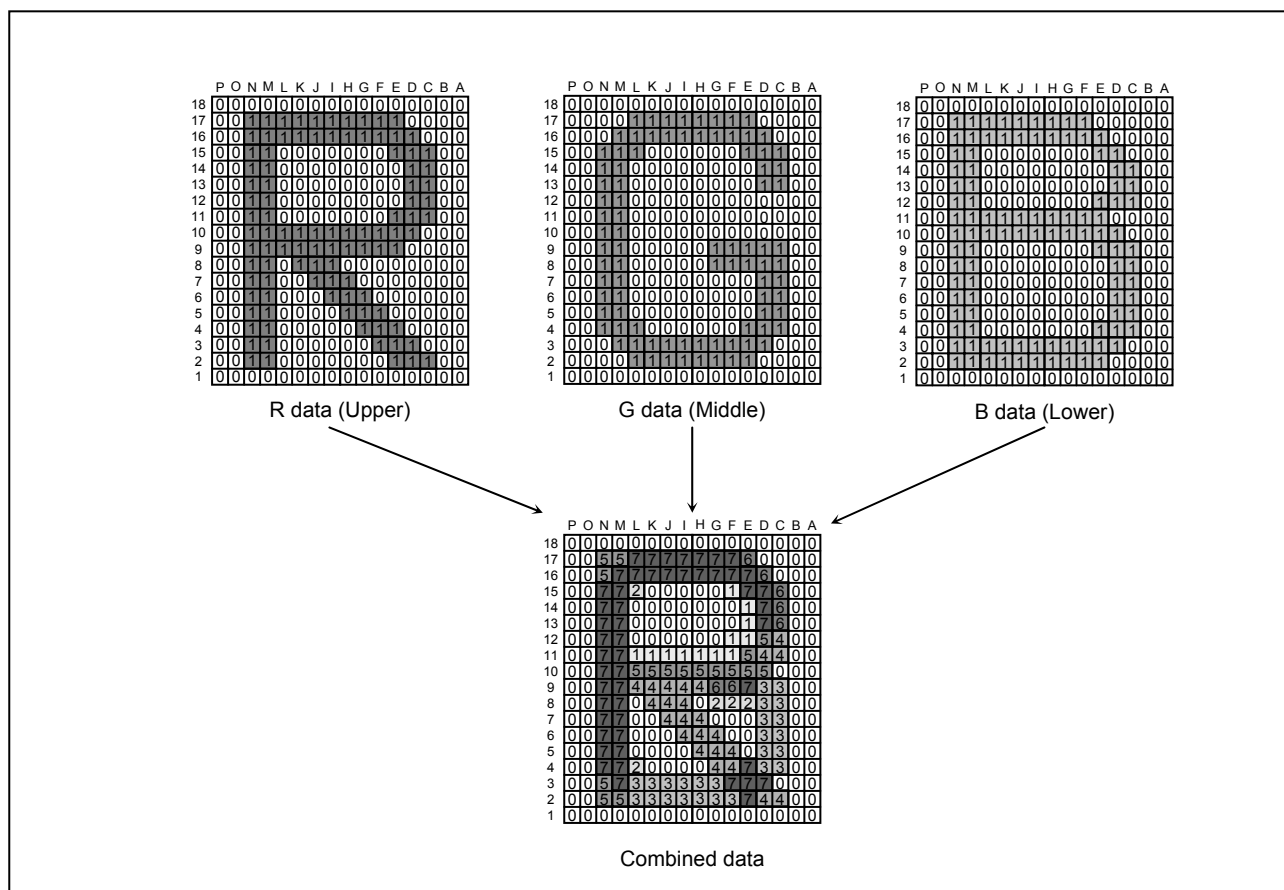


Figure 2.14.7

- Assignment of the color palette registers for the color font

RGB data	Color palette register
RGB = 000b 0	ORCPT0
RGB = 001b 1	ORCPT1
RGB = 010b 2	ORCPT2
RGB = 011b 3	ORCPT3
RGB = 100b 4	ORCPT4
RGB = 101b 5	ORCPT5
RGB = 110b 6	ORCPT6
RGB = 111b 7	ORCPT7

The following shows how the color font shown on the preceding page is displayed by setting the color palette registers.

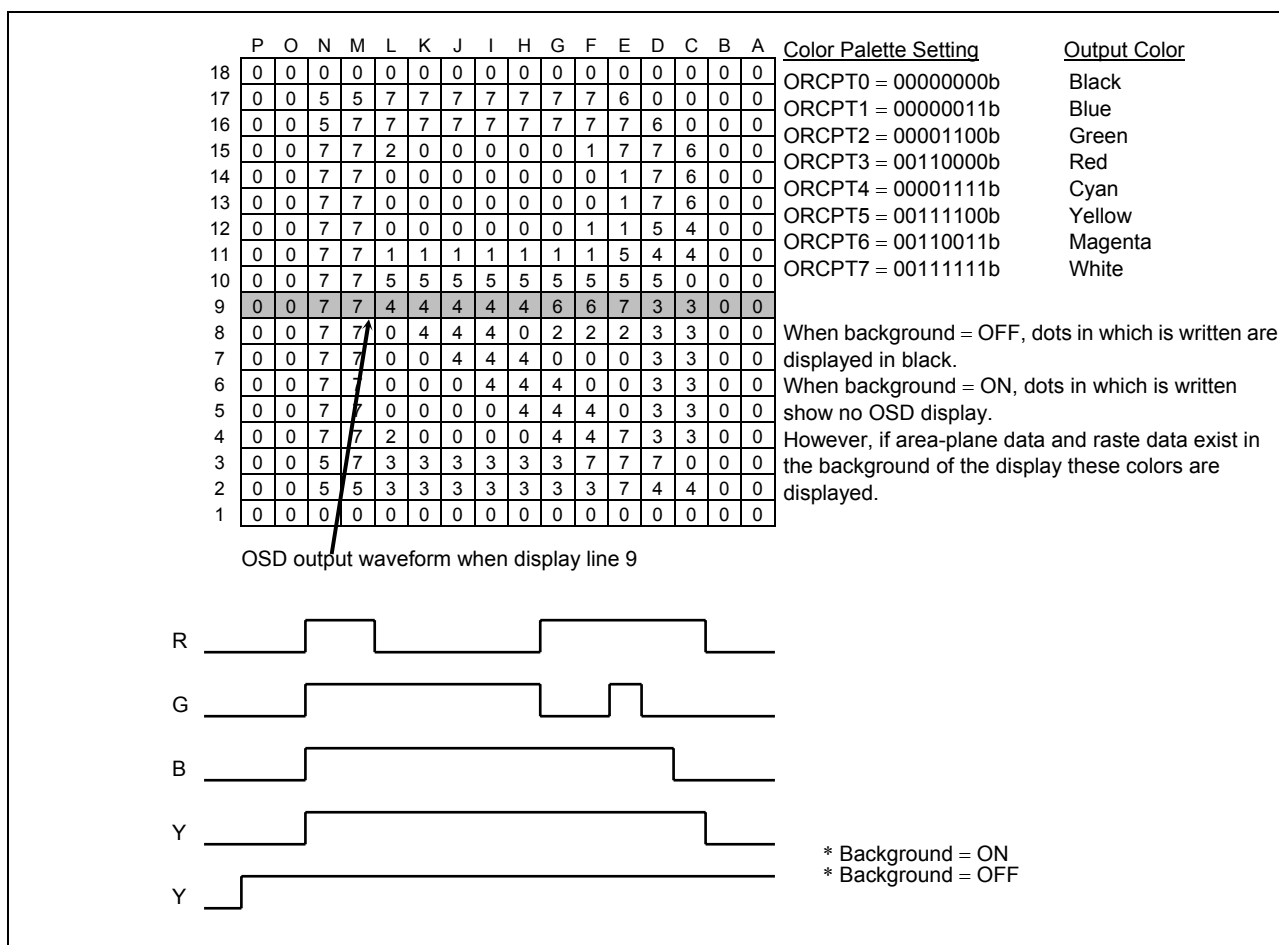


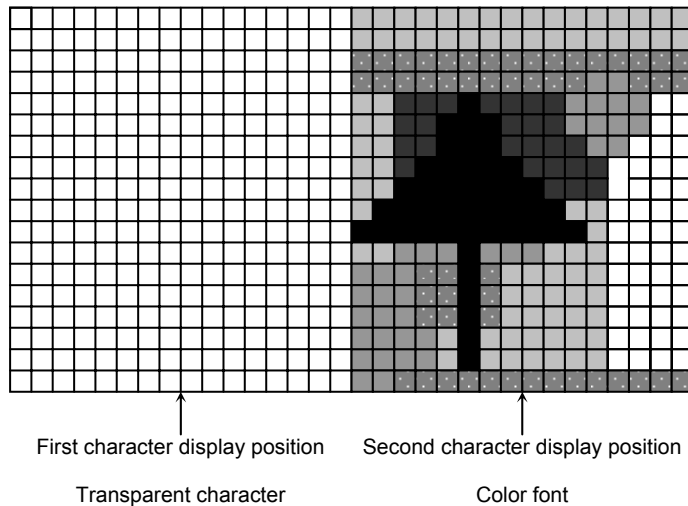
Figure 2.14.8

Note: Do not use the color font in the first character display position. The color font can be used in the second and subsequent character display positions. If you want to use a color font character in the first character display position as counted from the left side of the TV screen, display a transparent character in the first character display position, and use the color font in the second character display position. Prepare a monochrome font character with no dot as a transparent character. It is recommended that character code CRA = 0x20H be prepared as a transparent character.

Example of display

First character display position: Transparent character.

Second character display position: Color font



(5) Dark color setting function

The dark color setting function is intended to control OSD intermediate-value outputs, using High, High-Z, and Low outputs. Setting CPT1MD1 (bit 7 in ORCP1) to "1" enables this function.

Producing 3-value outputs requires installing an external circuit.

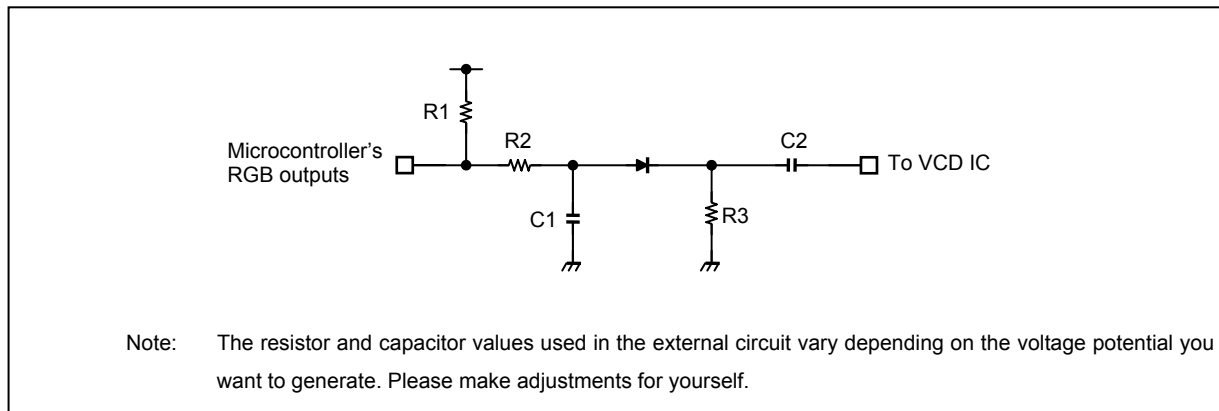


Figure 2.14.9 Example of an External Circuit for Creating Colors between Primary Colors

(6) Switching the OSD ROM area

When the TMP88CS34 is initialized, it is configured for 383 characters of mono font and 96 characters of color font. By setting ROMACH (bit 5 of ORDON) to 1, this configuration can be changed to 447 characters of mono font and 64 characters of color font, as shown below.

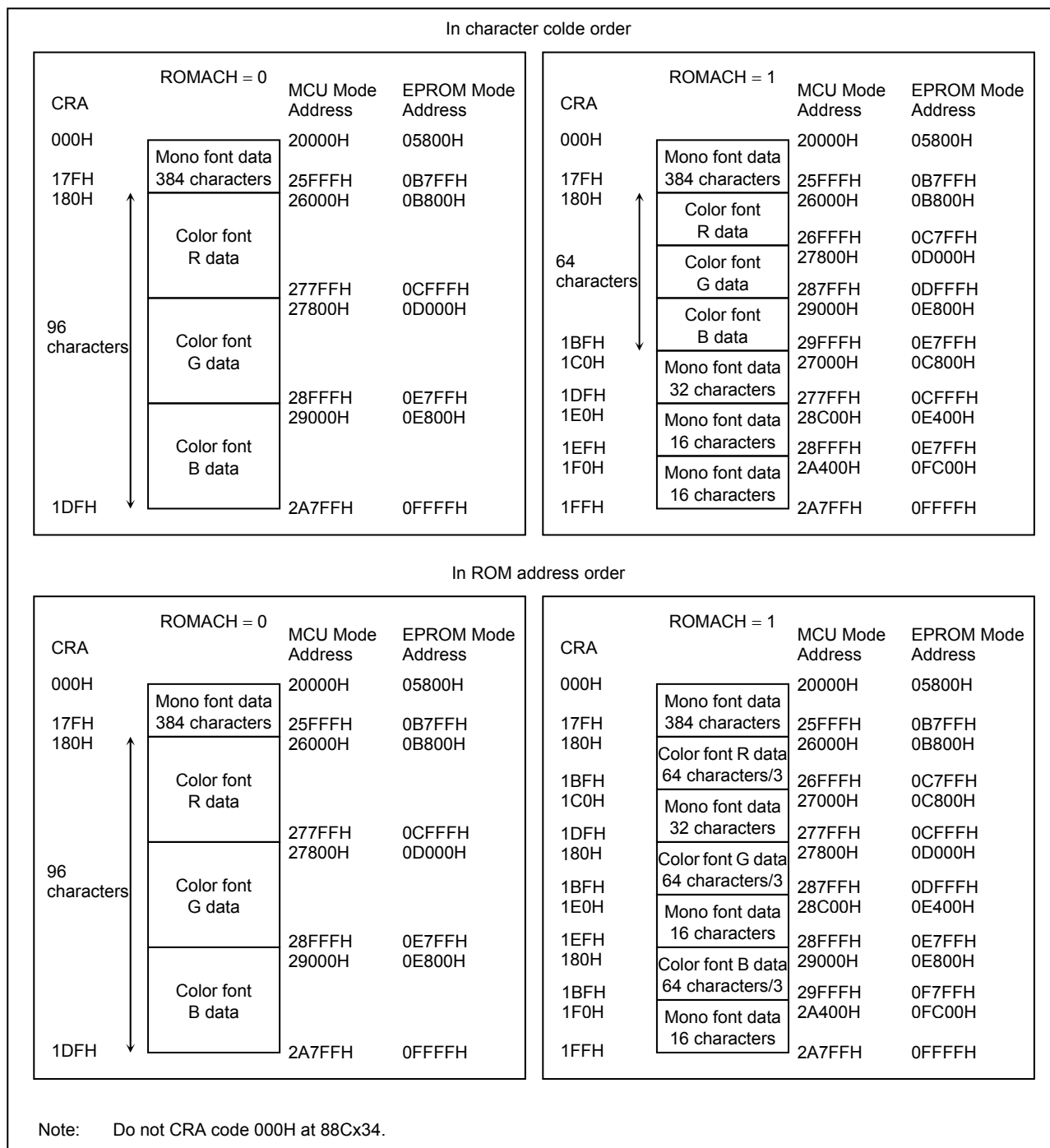


Figure 2.14.10

2.14.4 OSD Circuit Control

The OSD circuit performs control functions using the OSD control registers which reside in addresses 0001DH to 0001FH and 00024H to 00025H in the special function registers (SFR), and in addresses 00F80H to 00FCEH in the data buffer register (DBR). Section 2.14.6.8 shows the OSD control registers. The OSD control registers are used to set display start position, display character designs (that is, fringing, smoothing, color data, character size, and etc.), display memory addresses, and character codes.

Setting the display on-off control bit, DON, (bit 0 in ORDON) to "1" enables display (starts display). Setting DON to "0" disables display (halts display).

2.14.5 OSD Control Register Write

There is a list of the OSD control registers on pages 199 to 201.

When data is written into a shaded register, the data is transferred to the OSD circuit, and then the data becomes valid. After data is written into an unshaded register, the data is transferred to the OSD circuit, and then the data becomes valid.

To transfer the contents of a control register to the OSD circuit, use data transfer request register RGWR (bit 2 in ORDON).

Setting "1" in the RGWR register outputs the transfer request signal to the OSD circuit. Three instruction cycles later, transfer of the written data to the OSD circuit starts. While the data is being transferred, data transfer status monitoring flag RGWR (bit 2 in ORDON) is "1". When this transfer is completed, the flag is cleared to "0".

Written data transfer register (1 bit) ··· RGWR (Bit 2 in ORDON)

"0"	···	Initialized state
"1"	···	Transfers written data to OSD circuit. (After transfer, RGWR is reset to 0.)

Note: Don't write "0" to RGWR.

(1) RGWR system

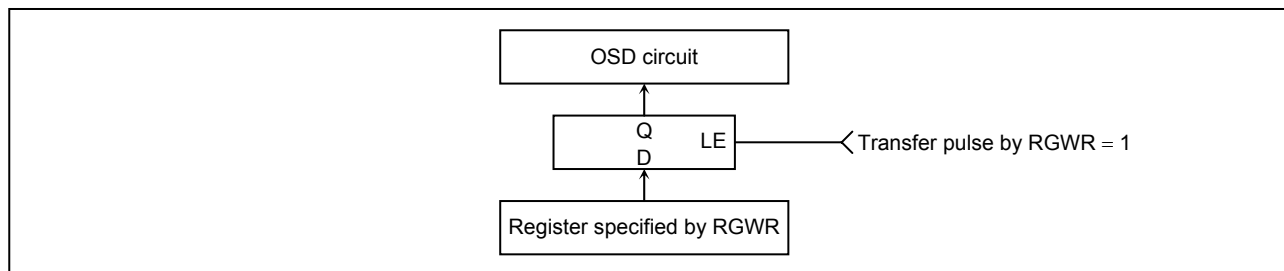


Figure 2.14.11 RGWR System

(2) Transfer timing

1. No display area

When having set RGWR to "1" during no display area, the timing OSD register can be transferred is at the falling edge of \overline{HD} signal.

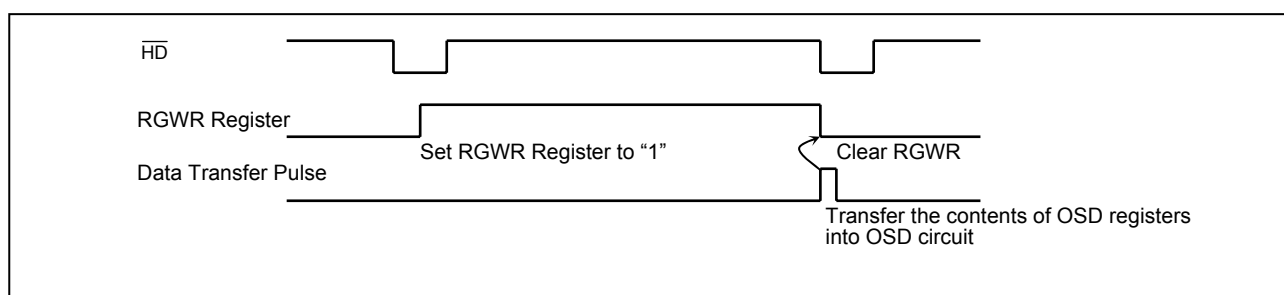


Figure 2.14.12 Data Transfer Timing in No Display Area

2. Display area (including any lines specified as display off by character size)

When having set RGWR to "1" during display area, the timing OSD register can be transferred is at the falling edge of \overline{HD} signal when the display line has been finished.

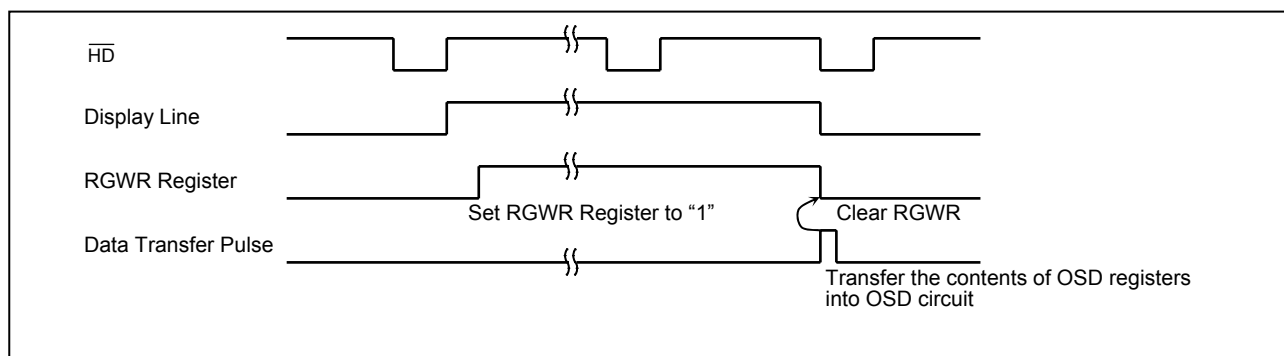


Figure 2.14.13 Data Transfer Timing in Display Area

2.14.6 OSD Function

2.14.6.1 Signal Control (Port I/O)

(1) P6 port output select function

This function is used to select whether the contents of port P57, P67 to P64 will be output or I, R, G, B, Y/BL signals of the OSD circuit will be output on pins P57, P67 to P64.

P57 port output select registers (1 bits): PIDS (bit 3 in ORP6S)

	PIDS = 0	PIDS = 1
P57	I	Port

P67 to P64 port output select registers (4 bits): P67S, P66S, P65S, P64S, (bit 7 to 4 in ORP6S)

	P6nS = 0	P6nS = 1
P64	R	Port
P65	G	
P66	B	
P67	Y/BL	

Note: Be sure to write "0EH" to the ORP6S2 register (0x0FA1H).

(2) OSD pin output polarity control function

This function is used to select the polarity of the OSD outputs for RGB, I and Y/BL.

Output polarity control register (4 bits) ... BLIV, YIV, RGBIV, IIV (bit 3 to 0 in ORIV)

"0" ... Active high
 "1" ... Active low

(3) OSD pin input polarity control

Input polarity control

Input polarity control register of RIN/GIN/BIN/Y/BLIN (2 bits)

For Y/BLIN ... YBLII (Bit 5 in ORIV)
 For RIN, GIN, and BIN ... RGBII (Bit 4 in ORIV)

Input polarity control

RGBII
 "0" ... Active high
 "1" ... Active low

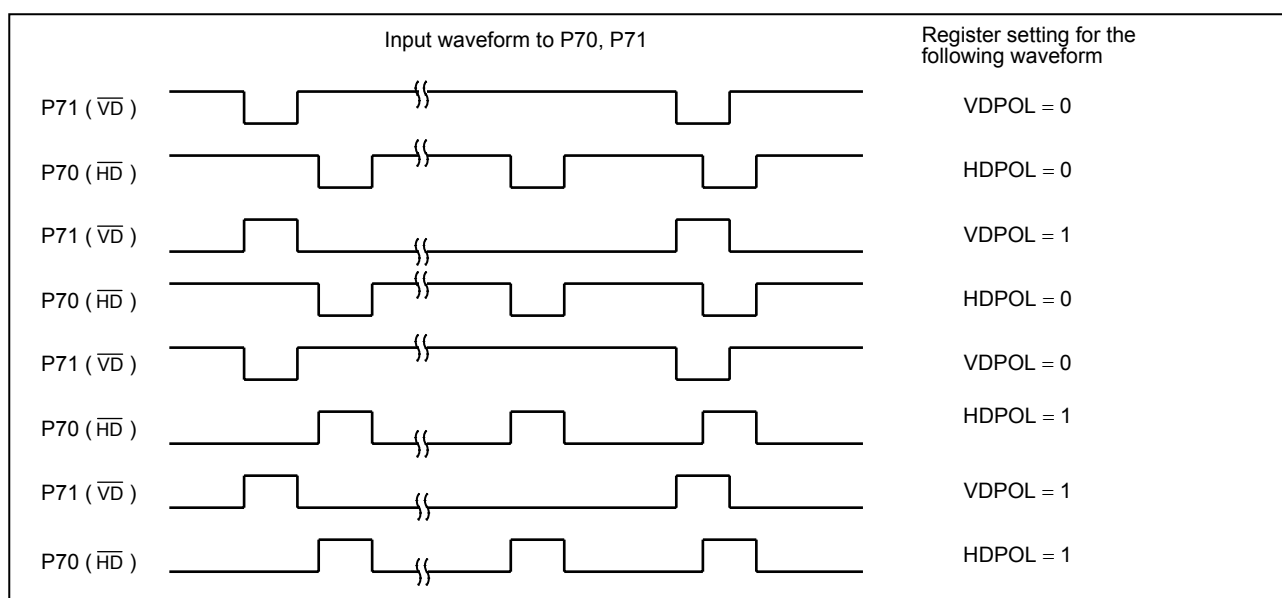
Input polarity control register of $\overline{\text{HD}}/\overline{\text{VD}}$ (2 bits)

For $\overline{\text{VD}}$... VDPOL (Bit 7 in ORIV)
 For $\overline{\text{HD}}$... HDPOL (Bit 6 in ORIV)

Input polarity control

VDPOL, HDPOL
 "0" ... Not invert input signal
 "1" ... Invert input signal

Note: To direct P64 (R), P65 (G), and P66 (B) to produce three-value outputs (High, High-Z, and Low), be sure to write "0" to the output polarity control register (4 bits).

Figure 2.14.14 $\overline{VD}/\overline{HD}$ input and VDPOL/HDPOL

(4) Y/BL signal select function

This function is used to select either Y or BL signal output from the Y/BL pin.

Y/BL signal select register (1 bit) ... YBLCS (bit 7 in ORP6S)

- "0" ... Y signal output
- "1" ... BL signal output

Y signal ... Output in all OSD areas (Logical OR for R, G, B, Character data, Fringing data, area data, etc.)

BL signal ... When EXBL is "0":

Output in all display character areas

When EXBL is "1":

Output in the whole page

(5) I signal function select

When PIDS (bit 3 in ORP6S) is set to "0", Port 57 (I pin) can be used as Half Transparency/Half Tone through an extra circuit.

The I-pin output is made high only for the area planes. If you want to make the I-pin output high for area plane 1, set PISEL1 (bit 3 in the ORACL register) to "1". If you want to make the I-pin output high for area plane 2, set PISEL2 (bit 7 in the ORACL register) to "1".

(6) R, G, B, Y/BL Internal/external signal select.

Selects either R, G, B, and Y/BL signals from the internal OSD circuit, or RIN, GIN, BIN, and Y/BLIN signals from external input.

R, G, B, Y/BL signal select registers (2 bits) ... MPXS1/MPXS0

(Bits 1 and 0 in ORP6S)

- "00" ... Simultaneous output (Signal from the OSD circuit has higher priority.)
- "01" ... Output of signal from internal OSD circuit
- "10" ... Output of signal from external input
- "11" ... Simultaneous output (External input signal has higher priority.)

2.14.6.2 OSD data output format control

(1) Scan mode

The double scan mode is used to handle non-interlaced scanning TV. When double scan mode is enabled, the vertical display counter increases every 2 scan lines and a vertical size of a dot is double. This function is enabled by setting VDSMD (bit 7 in ORETC) in the OSD control register to "1".

Scan mode select register (1 bit) ... VDSMD (bit 7 in ORETC)

"0" ... Normal mode
 "1" ... Double scan mode

Note 1: The data written to those control register is transferred to the OSD circuit and become valid when the data is written.

Note 2: When OSD circuit is used on an interlace scanning TV, a jitter elimination circuit must be enabled and set AFLD to "1" in JECR.

Table 2.14.3 The Difference of 2 types of Scan Mode

	Normal mode	Double scan mode
Specification Unit of vertical display start position	One scanning line	Two scanning lines
1 dot height	–	Normal mode height × 2

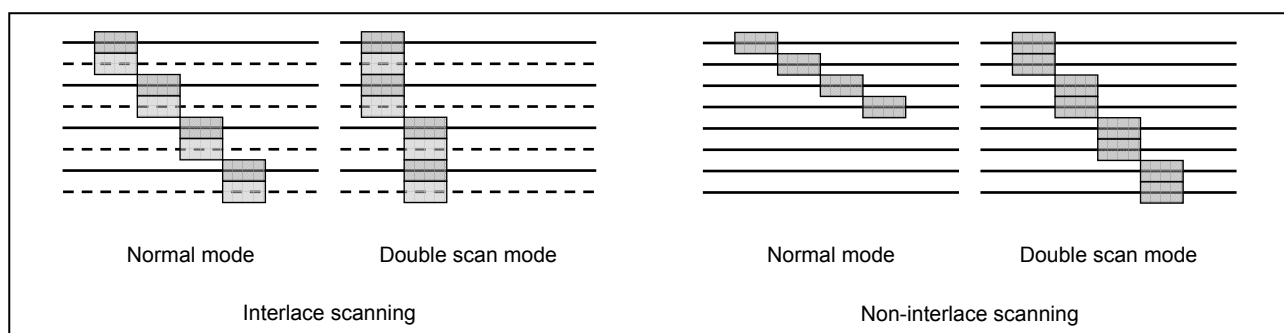


Figure 2.14.15 Scan Mode

2.14.6.3 Display Position Control

(1) Code display position setting

1. Horizontal display start position

The horizontal display start position can be set in 256 steps by writing to OSD control registers HS17 to HS10 (bit 7 to 0 in ORHS1). The value is in common with all lines.

Specification unit: $2 T_{OSC}$

Specification steps: 256

Specification horizontal display start position: Line 1 to 12: HS17 to HS10 (ORHS1)

$$HS1 = (HS17 \text{ to } HS10) H \times 2T_{OSC} + 22T_{OSC} \text{ (Line1 to 12)}$$

Note 1: T_{OSC} : One cycle of OSD oscillation.

Note 2: The data written to these control registers is transmitted to OSD circuit by setting RGWR (bit 2 in ORDON) to "1".

2. Vertical display start position

The vertical display start position can be specified for each display line using 625 steps by writing to VS_n9 to VS_n0 (in ORVS_n (n; 1 to 12)).

Specification unit: 1 scan line

Specification steps: 512

Specification vertical display start position:

Line1: VS19 to VS10 (ORVS 1)

Line2: VS29 to VS20 (ORVS 2)

⋮

Line12: VS129 to VS120 (ORVS 12)

Line n: VS_n = (VS_n9 to VS_n0) H × 1T_{HD} (n; 1 to 12)

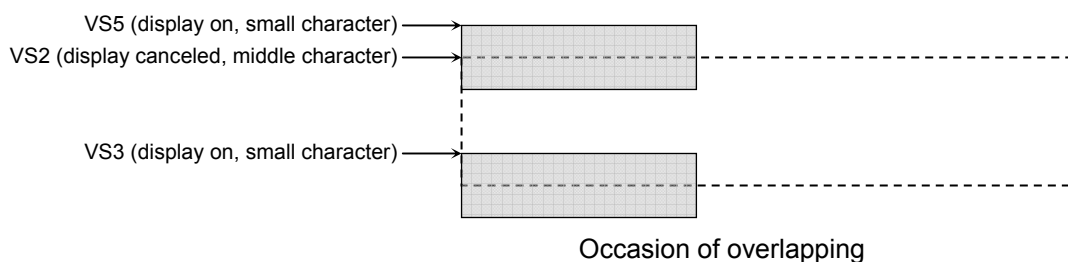
Note 1: T_{HD} : One cycle of \overline{HD} signal.

Note 2: The data written to these control registers is transmitted to OSD circuit by setting RGWR (bit 2 in ORDON) to "1".

Note 3: If display lines are overlapped each other, previous display line is enabled and next line is disabled. If vertical display start positions of two or more lines are set on same value, high priority line is enabled. Lines of OSD (VS1 to VS12) are fixed priority levels as follows:

$$VS1 > VS2 > VS3 > \dots > VS12$$

Set the vertical display start position not to overlap display lines.



Note 4: The line which is displayed off is managed as a small size character line.

Note 5: Transfer the contents of vertical display start position registers into OSD circuit before the position of the scanning line coincides with their own vertical display start position.

(2) Area display position setting

The planes have the priority such as Code plane > Area plane 1 > Area plane 2 > Raster plane.

1. Horizontal display start position

The horizontal display start position can be set in 512 steps by writing to OSD control registers AHSn8 to AHSn0 (bit 8 to 0 in ORAHSn). And also display stop position is correspond to AHEn8 to AHEn0 (bit 8 to 0 in ORAHEn). (n; 1 to 2)

Horizontal display start position

$$AHS_n = (AHS_{n8} \text{ to } AHS_{n0})_H \times 2T_{OSC}$$

Horizontal display end position

$$AHE_n = (AHE_{n8} \text{ to } AHE_{n0})_H \times 2T_{OSC}$$

Note 1: T_{OSC} : One cycle of OSD oscillation.

Note 2: If the horizontal display start position for characters is the same as that for areas, the two positions are not displayed at the same time. The horizontal display start position for characters is displayed 16 T_{OSC} (corresponding to a register value of 8) later than that for areas.

2. Vertical display start position

The vertical display start position can be set in 625 steps by writing to OSD control registers AVSn9 to AVSn0 (bit 9 to 0 ORAVSn). And also display stop position is correspond to AVEn9 to AVEn0 (bit 9 to 0 in ORAVEn). (n; 1 to 2)

Vertical display start position

$$AVS_n = (AVS_{n9} \text{ to } AVS_{n0})_H \times T_{HD}$$

Vertical display end position

$$AVE_n = (AVE_{n9} \text{ to } AVE_{n0})_H \times T_{HD}$$

Note: T_{HD} : One cycle of \overline{HD} signal.

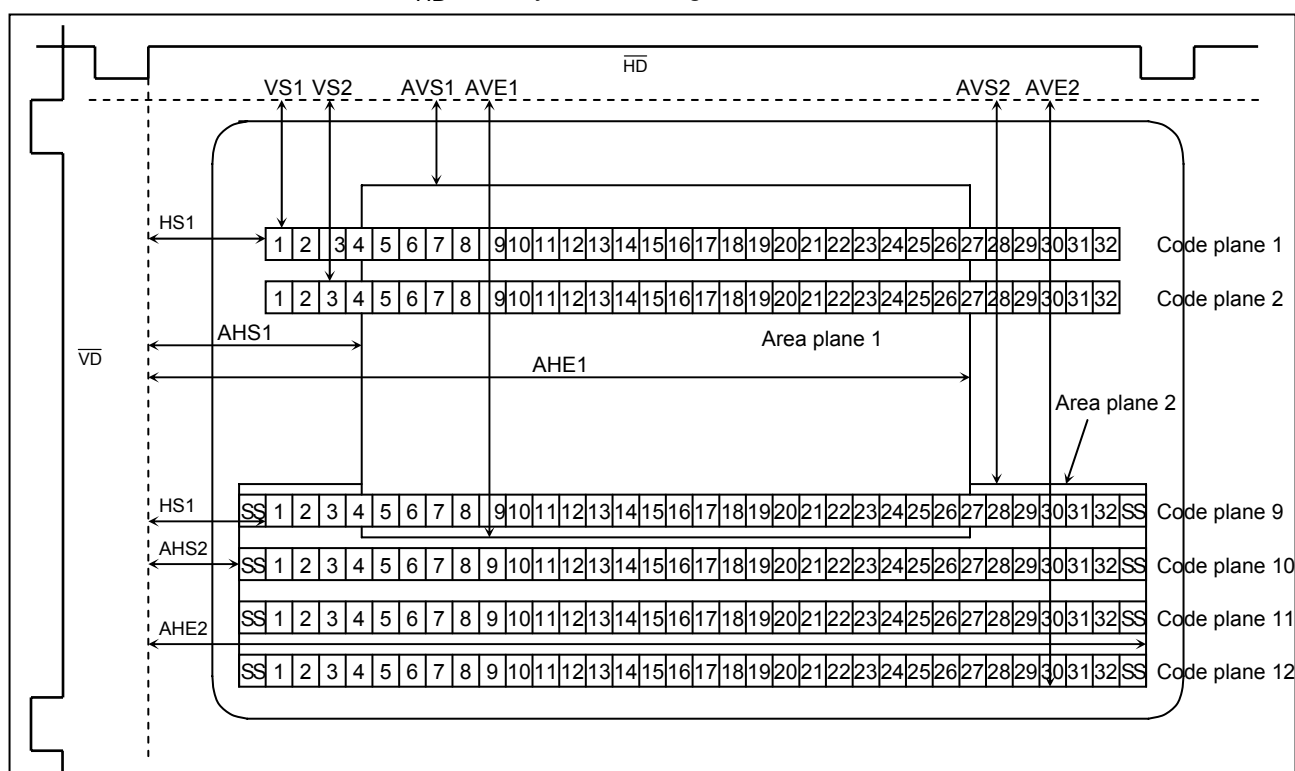


Figure 2.14.16 TV Scan Image

2.14.6.4 Character Ornamentation Control

(1) Character sizes

Character size can be selected line by line from 4 sizes. And display on/off also can be set line by line. Small, middle, large and double height character size and display on/off can be set with OSD control registers CSn (n = 1 to 12, ORCS4, ORCS8, ORCS12) in the OSD control registers.

Character sizes: 4 sizes (Small, middle, large and double height)

Character size and display on/off specification unit: Line

Character size select/display on/off register (2 bits × 12)

Line 1: CS1

Line 2: CS2

: :

Line 12: CS12

Table 2.14.4 Character Size and Display On/Off Specifications (n = 1 to 12 and m = 1 to 12)

CSn (high-order bit)	CSn (low-order bit)	Character size	DCSCn (double-height specification)	Display on/off
1	1	Small-size character	0	On
1	0	Medium-size character	0	On
0	1	Large-size character	0	On
1	0	Double-height character	1	On
0	0	–	0	Off

Note 1: To display a double-height character, write “10” and “1”, respectively, to CSn (medium-size character specification) and DCSCm (double-height display specification). If DCSCm and CSn are, respectively, “0” and “10”, medium-size characters are displayed.

Note 2: If the character size specification (CSn) is “11” or “01”, no double-height character can be displayed.

Note 3: Do not specify to modify double-height characters (such as fringing, smoothing, and slanting) because such specifications hamper normal display.

Note 4: The display off line operates like the width of small character size line though the character is not displayed.

Note 5: The data written to these control registers is transmitted to OSD circuit by setting RGWR (bit 2 in ORDON) to “1”.

Note 6: When OSD circuit is used on an interlace scanning TV, a jitter elimination circuit must be enabled and set AFLD to “1” in JECR.

Note 7: When VDSMD and AFLD are “0”, only character of even display dot is displayed. (refer to 2.16 a jitter elimination circuit)

Table 2.14.5 Dot Size and Character Size

		VDSMD = 0 (normal mode)		VDSMD = 1 (double-scan mode)	
		Dot size	Character size	Dot size	Character size
EULAn = 0 (underline off)	Small-size character	$1T_{OSC} \times 0.5T_{HD}$	$16T_{OSC} \times 9T_{HD}$	$1T_{OSC} \times 1T_{HD}$	$16T_{OSC} \times 18T_{HD}$
	Medium-size character	$2T_{OSC} \times 1T_{HD}$	$32T_{OSC} \times 18T_{HD}$	$2T_{OSC} \times 2T_{HD}$	$32T_{OSC} \times 36T_{HD}$
	Large-size character	$4T_{OSC} \times 2T_{HD}$	$64T_{OSC} \times 36T_{HD}$	$4T_{OSC} \times 4T_{HD}$	$64T_{OSC} \times 72T_{HD}$
	Double-height character	$1T_{OSC} \times 1T_{HD}$	$16T_{OSC} \times 18T_{HD}$	$1T_{OSC} \times 2T_{HD}$	$16T_{OSC} \times 36T_{HD}$
EULAn = 1 (underline on)	Small-size character	$1T_{OSC} \times 0.5T_{HD}$	$16T_{OSC} \times 12T_{HD}$	$1T_{OSC} \times 1T_{HD}$	$16T_{OSC} \times 24T_{HD}$
	Medium-size character	$2T_{OSC} \times 1T_{HD}$	$32T_{OSC} \times 24T_{HD}$	$2T_{OSC} \times 2T_{HD}$	$32T_{OSC} \times 48T_{HD}$
	Large-size character	$4T_{OSC} \times 2T_{HD}$	$64T_{OSC} \times 48T_{HD}$	$4T_{OSC} \times 4T_{HD}$	$64T_{OSC} \times 72T_{HD}$
	Double-height character	$1T_{OSC} \times 1T_{HD}$	$16T_{OSC} \times 24T_{HD}$	$1T_{OSC} \times 2T_{HD}$	$16T_{OSC} \times 48T_{HD}$

Note: T_{OSC} = one OSD oscillation cycle. T_{HD} = one \overline{HD} signal cycle.

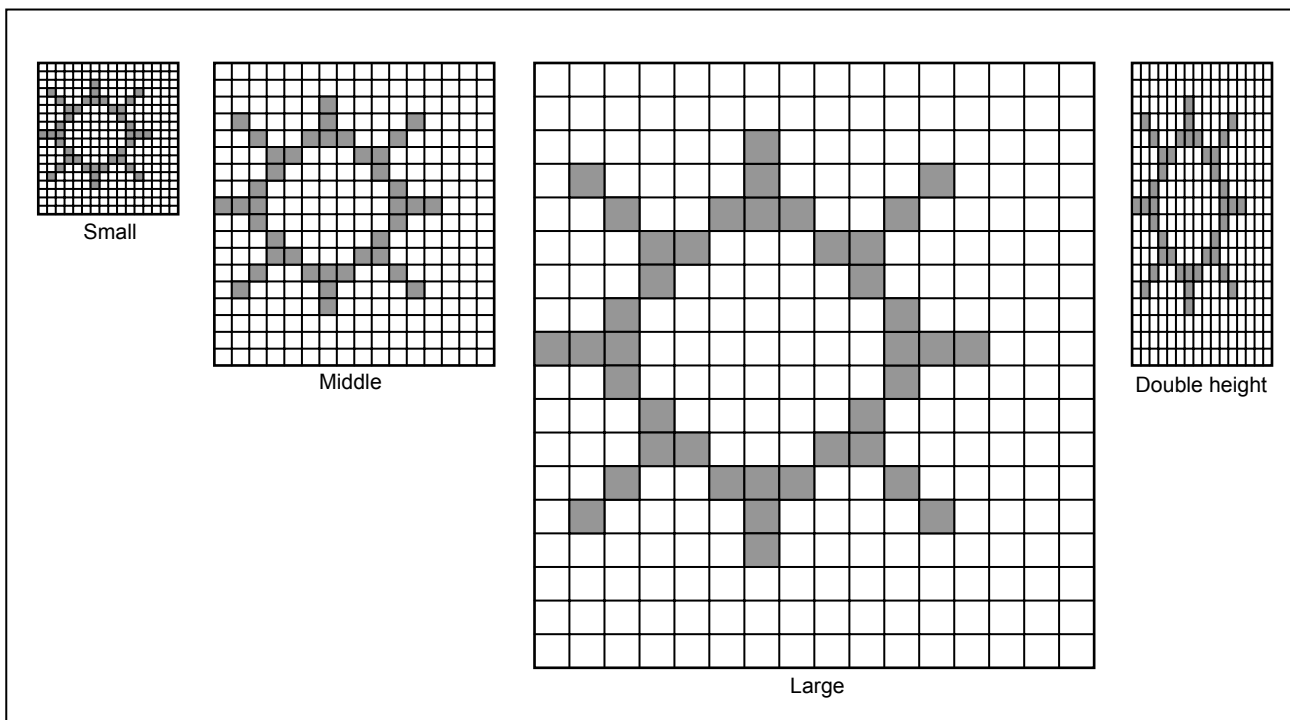


Figure 2.14.17 Character Size

(2) Smoothing function

The smoothing function is used to make characters look smooth. Enabling smoothing displays 1/4 dot between two dots connecting corner to corner within a character. Small size character and color font can not be enabled smoothing. Smoothing is enabled by setting ESMZ (bit 4 in ORETC) in the OSD control register to "1".

Smoothing specification unit: Display page

Smoothing specification register (1 bit) ... ESMZ (bit 4 in ORETC)

"0" ... Disable smoothing

"1" ... Enable smoothing

Note 1: Data of the register is transferred to the OSD circuit and become valid when the data is written.

Note 2: The smoothing function is invalid for the color font.

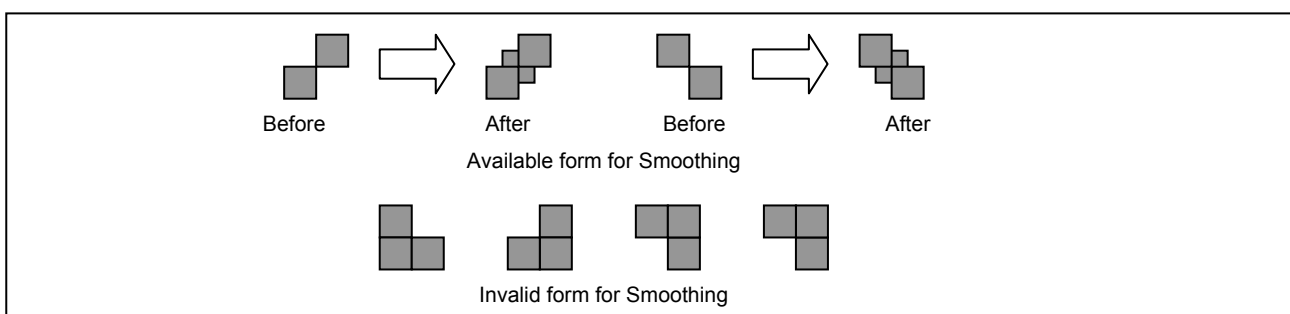


Figure 2.14.18 Available Form and Invalid Form for Smoothing

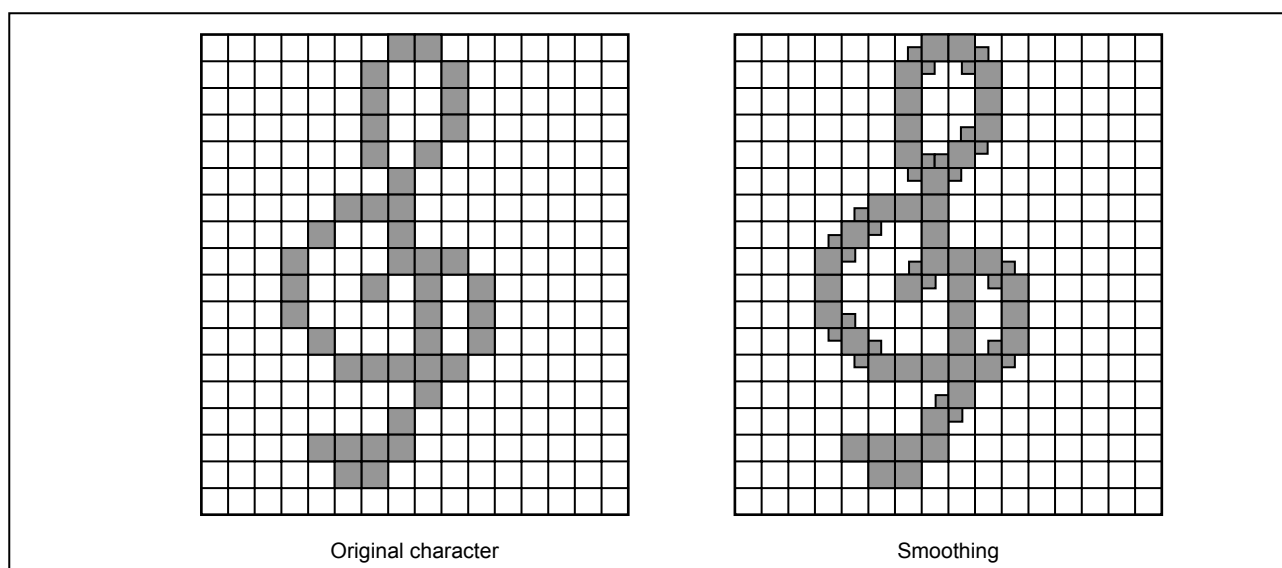


Figure 2.14.19 Smoothing Example

(3) Fringing function

The fringing function is used to display a character with a fringe width is 1 dot in a different color from that of the character. When a character is displayed with the maximum of 18 vertical dots and 16 horizontal dots, the fringe exceeds right and left of the character display area. No vertical fringing is displayed out of the character display area. If there is an adjacent character that outer dot is active, then this dot will overrule the fringe in the horizontal direction. Underlines are not fringed.

Fringing is enabled for each line by setting EFR1 to EFR8 (OREFR8) and EFR9 to EFR12 (OREFR12) in the OSD control register to "1".

A color for fringe is specified common to all lines using OSD control registers, RFDT, GFDT, and BFDT (bit 2 to 0 in ORBK).

Fringing specification unit: Line

Fringing enable register (1 bit \times 12) \cdots EFR $_n$ (n; 1 to 8) (OREFR8), EFR $_n$ (n; 9 to 12) (OREFR12)

"0" \cdots Disable fringing

"1" \cdots Enable fringing

Fringe colors: 8 or 27

Fringe color specification unit: Display page

Fringe color register (3 bits) \cdots RFDT, GFDT, BFDT (bit 2 to 0 in ORBK)

Note 1: The fringe of 1st column character does not exceed left, and the fringe of 32th character does not exceed right.

Note 2: Do not specify fringing for the color font.

Note 3: Do not specify fringing for characters for which double-height display is specified.

Note 4: Do not specify fringing for small-size character.

Table 2.14.6 Fringe Color

RFDT	GFDT	BFDT	Figure color
0	0	0	Setting color of ORCPT0
0	0	1	Setting color of ORCPT1
0	1	0	Setting color of ORCPT2
0	1	1	Setting color of ORCPT3
1	0	0	Setting color of ORCPT4
1	0	1	Setting color of ORCPT5
1	1	0	Setting color of ORCPT6
1	1	1	Setting color of ORCPT7

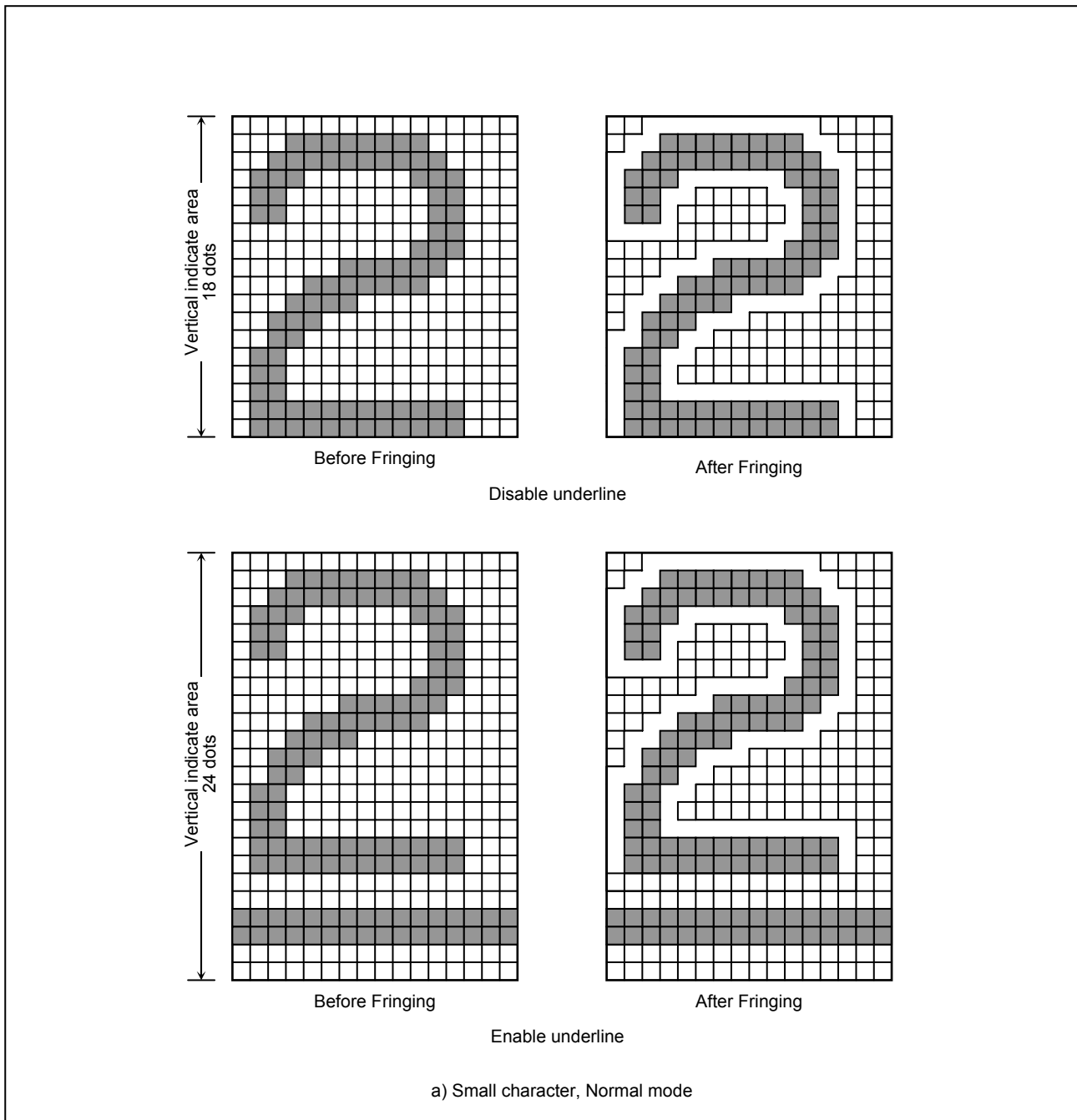


Figure 2.14.20 (a) Fringing Example

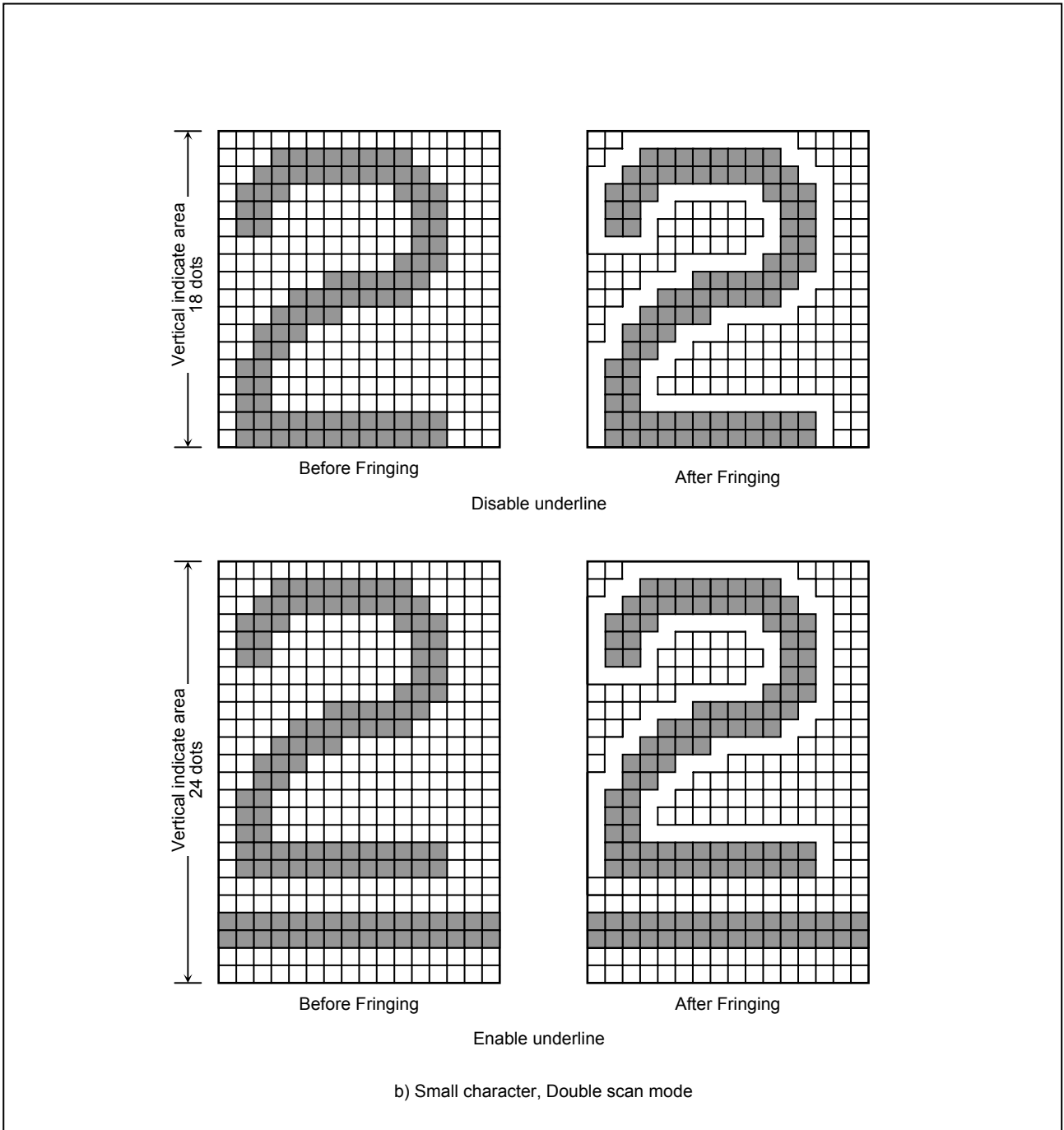


Figure 2.14.21 (b) Fringing Example

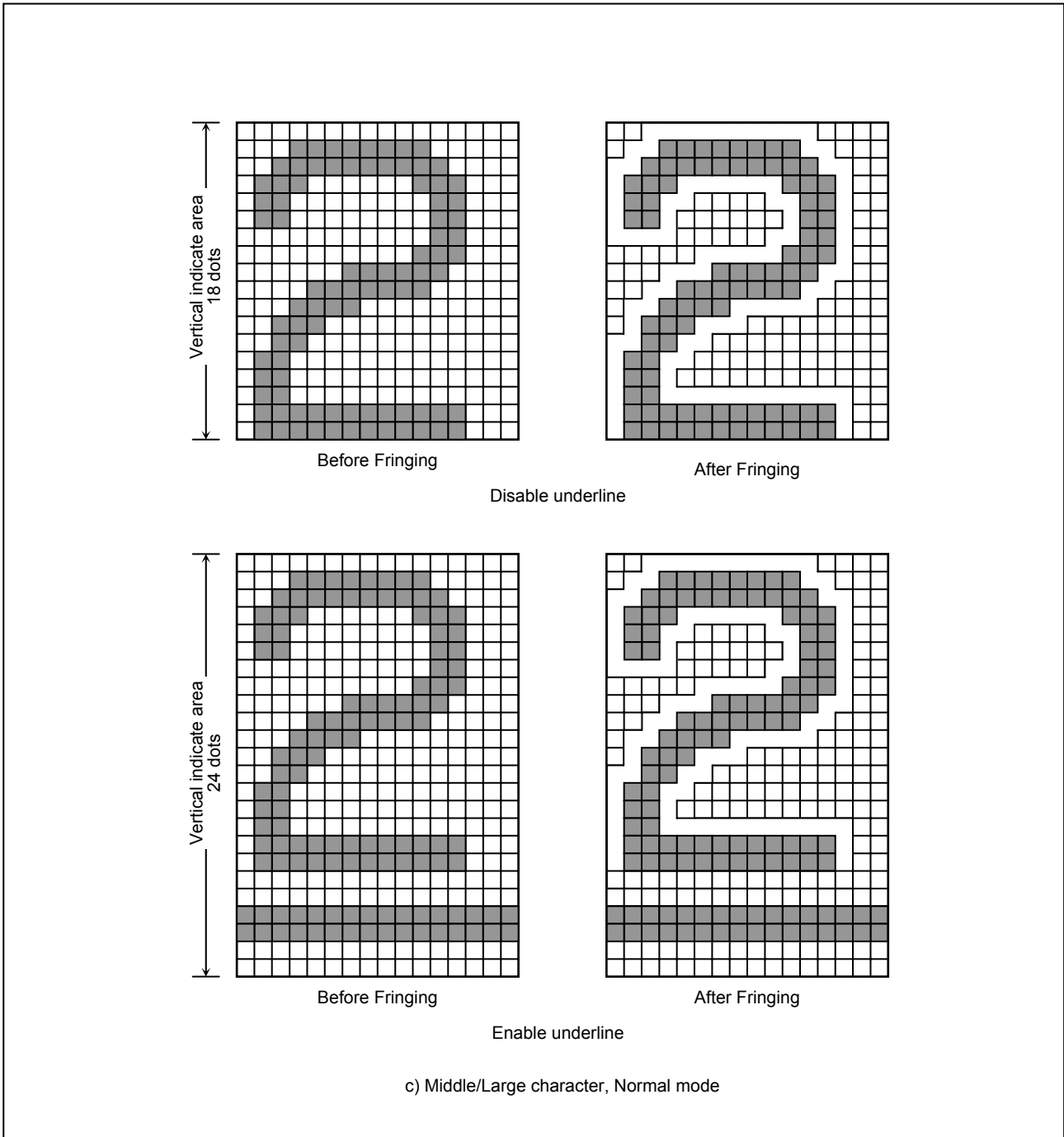


Figure 2.14.22 (c) Fringing Example

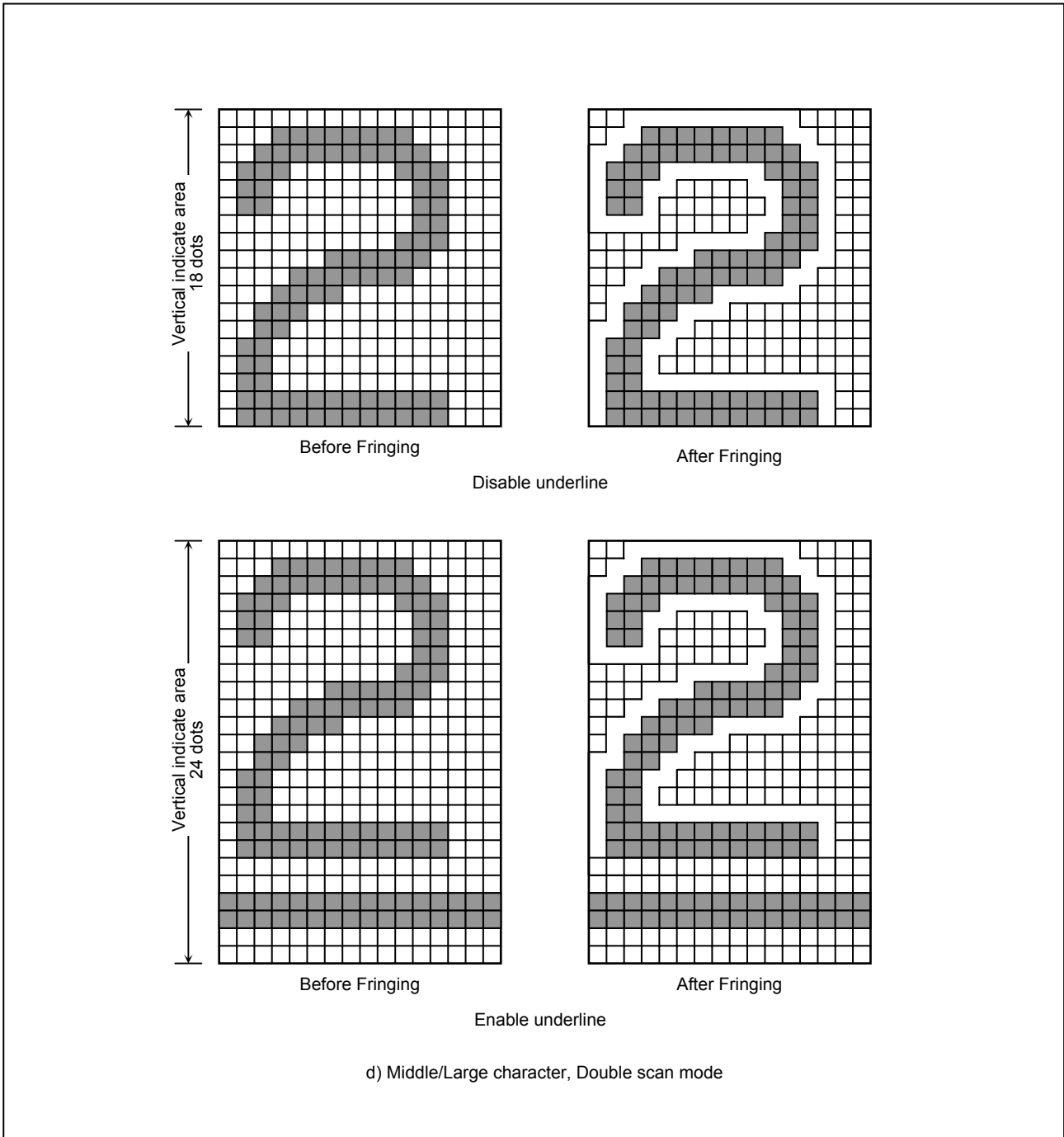


Figure 2.14.23 (d) Fringing Example

(4) Double-height display function

It is possible to display a character having the same horizontal size as for the small-size character and the same vertical size as for the medium-size character. This function can be realized by specifying medium-size character display for the character size and setting up the double-height display setting register (ORDCSC). Its specification unit is the row.

Double-height display enable unit: Row

Double-height display enable register (1 bit × 12): DCSCn (n = 1 to 12)
(ORDCSC register)

Character size specification: "10" is set in CSn (n = 1 to 12; ORCS4, ORCS8, and ORCS12).

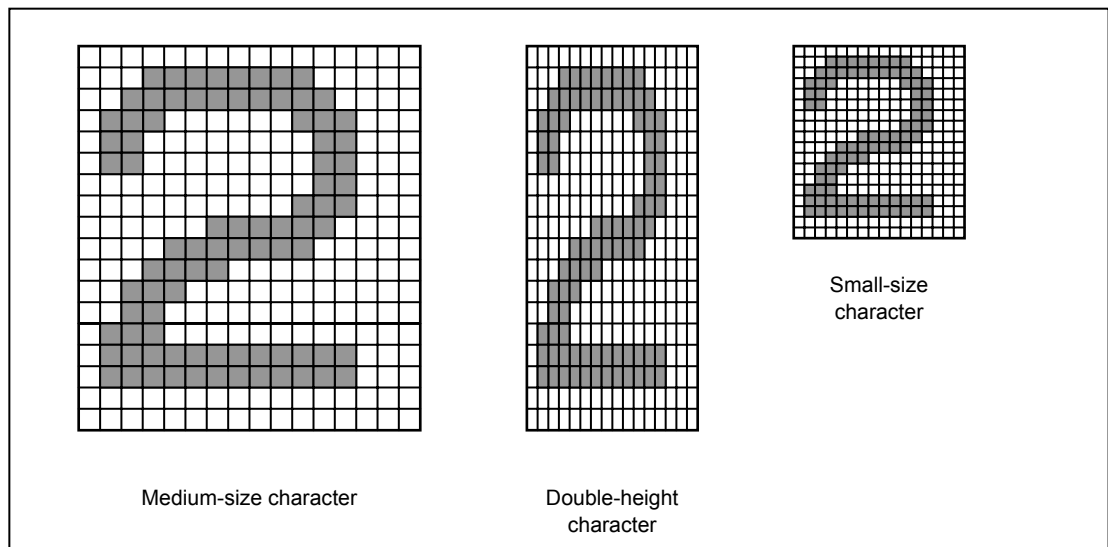


Figure 2.14.24 Double-Height Character Display

Note: Do not specify the fringing, smoothing, or slanting character modification function for a row where double-height display is specified.

(5) Displaying a Small-Size Character Consisting of 26 Vertical and 18 Horizontal Dots

It is possible to display small-size characters at vertical intervals of 26 scanning lines. This function is realized by specifying small-size character display and setting up the 26-dot vertical display setting register ORCCD. This specification can be made in line units.

26-dot vertical display enable unit: Row

26-dot vertical display enable register (1 bit × 12): CCDn (n = 1 to 12) (ORCCD register)

Character size specification: "11" is set in CSn (n = 1 to 12; ORCS4, ORCS8, and ORCS12).

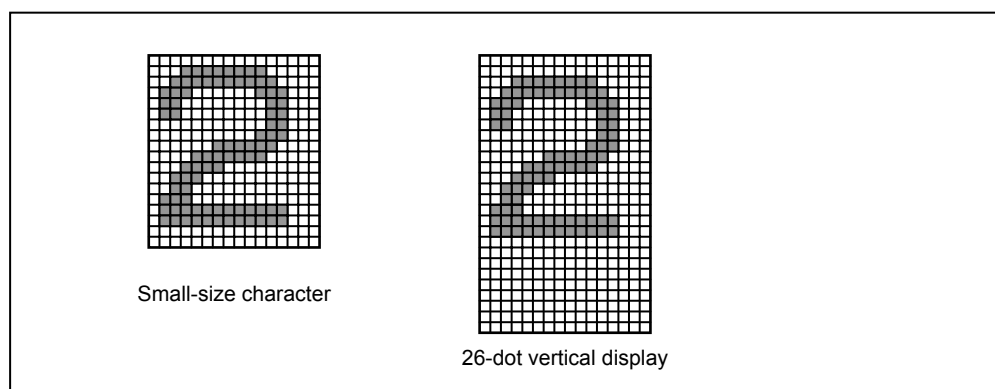


Figure 2.14.25 26-dot Vertical Display

(6) Background function

The background color is the color of all backgrounds including the background of the character area (see Table 2.14.5). The background function is specified in screen units by setting the EBKGD OSD control register (bit 7 in the ORRCL register) to "1". Using the ECBKD OSD control register (bit 3 in the ORDSN register) can enable/disable the character-specific background color.

The background color is specified, using the RBDT, GBDT, and BBDT OSD control registers (bits 6 to 4 in the ORBK register). Setting the ECHDSN OSD control register (bit 3 in the ORDON register) to "1" specifies SLNT (bit 6 in the ORDSN register) and EUL (bit 5 in the ORDSN register), respectively, as RBDT and GBDT. A background color different from that of the screen can be set up as a character-specific background.

Background color enable units: Screen and character

Background enable register (2 bits)

Screen unit: EBKGD (bit 7 in the ORRCL register)

Character unit: ECBKD (bit 3 in the ORDSN register)

Background color specification units: Screen and character

Background color specification register

If ECHDSN = 0: RBDT, GBDT, and BBDT (bits 6 to 4 in the ORBK register)

If ECHDSN = 1: RBDT, GBDT (bits 6 to 4 in the ORBK register),

SLNT (corresponding to RBDT), and EUL (corresponding to GBDT)

Table 2.14.7 Background Color Control

OSD control register		Display status
EBKGD	ECBKD	
0	0	No background is displayed.
0	1	No background is displayed.
1	0	No background is displayed.
1	1	A background is displayed.

Table 2.14.8 Character-Specific Background Color Setting Function

	Register name	Function	Character-specific background color setting (ECHDSN)	
			0	1
Character modification specification register	SLNT	Slanting	←	RBDT (background color of red)
	EUL	Underlining	←	GBDT (background color of green)
	BLF	Blanking	←	←
	ECBKE	Character-specific background enable	←	←

Note1: When the ECHDSN is set to "1", the background color is specified by RBDT (red) and GBDT (green) bits. In this case, ORCPT0, ORCPT2, ORCPT4 and ORCPT6 are available for color pallet.

Note 2: OSD output isn't done, and a video signal is indicated in the background area in case of EBKGD=0, ECBKD=0 and EBKGD=1, ECBKD=0. A background area becomes transparent in case of EBKGD=0 and ECBKD=1. That color is indicated when it is piled up and indicated with the area plane. The background color specified in case of EBKGD=1 and ECBKD=1 is indicated.

Table 2.14.9 Background Color

RBDT	GBDT	BBDT	Background color
0	0	0	Setting color of ORCPT0
0	0	1	Setting color of ORCPT1
0	1	0	Setting color of ORCPT2
0	1	1	Setting color of ORCPT3
1	0	0	Setting color of ORCPT4
1	0	1	Setting color of ORCPT5
1	1	0	Setting color of ORCPT6
1	1	1	Setting color of ORCPT7

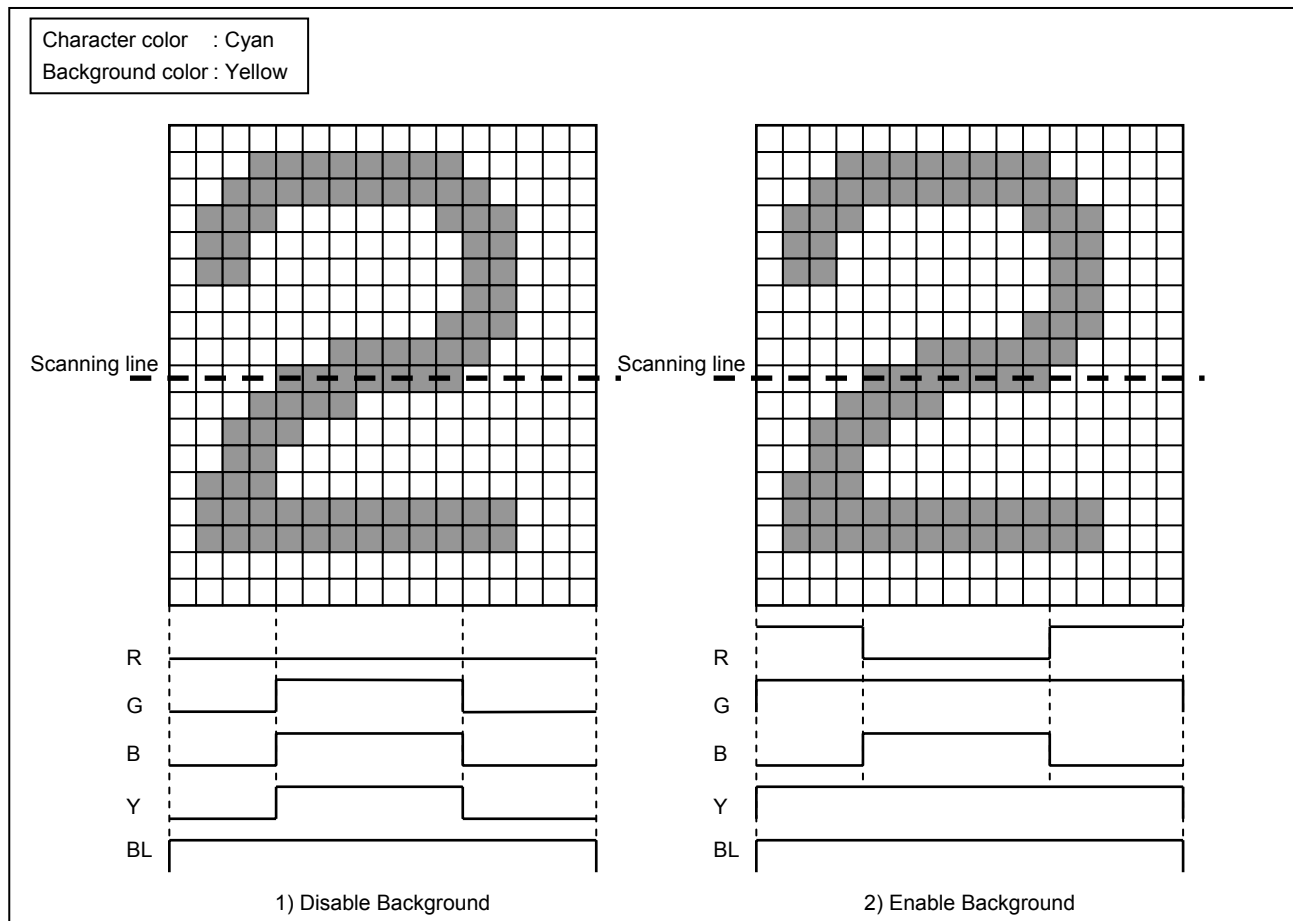


Figure 2.14.26 Background Function

Note: When the background function is enabled, the line enable the fringing function should not start with a blank character. If it starts with a blank character, a fringe is displayed to the left of the blank character.

2.14.6.5 OSD Display Screen Control

(1) Display on/off

This function is used to display characters specified for on/off display.

Display on/off specification unit: Display page

Display on/off specification register (1 bit) ... DON (bit 0 in ORDON)

“0” ... Disable display

“1” ... Enable display

Note: Do not start STOP mode during display is enable.

(2) Window function

This function is used to set upper and lower limit of display page. Window upper limit is specified by WVSH (ORWVSH). Window lower limit is specified by WVSL (ORWVSL). This function is enabled by setting EWDW (bit 1 in ORDON) in the OSD control register to 1.

Window specification unit: Display page

Window function enable specification register (1 bit) ... EWDW (bit 1 in ORDON)

“0” ... Disable window function

“1” ... Enable window function

Window upper limit specification register (10 bits) ... WVSH9 to 0 (ORWVSH)

Window lower limit specification register (10 bits) ... WVSL9 to 0 (ORWVSL)

Window upper and lower limit position ...

When VDSMD is “0” (Normal mode):

$$WVSH = (WVSH9 \text{ to } WVSH0) H \times T_{HD}$$

$$WVSL = (WVSL9 \text{ to } WVSL0) H \times T_{HD}$$

When VDSMD is “1” (Double scan mode):

$$WVSH = (WVSH9 \text{ to } WVSH0) H \times 2T_{HD}$$

$$WVSL = (WVSL9 \text{ to } WVSL0) H \times 2T_{HD}$$

Note 1: T_{HD} ; One cycle of \overline{HD} signal

Note 2: $WVSL > WVSH \geq "1"$

Note 3: Modify the value of window upper and lower limit register and the value of EWDW during \overline{VD} signal is low.

Note 4: It is recommendable that the window function is always enabled ($EWDW = "1"$) and set WVSH to “01H”, WVSL to “1FEH”.

Note 5: Characters and symbols at scanning line specified by WVSL are not displayed.

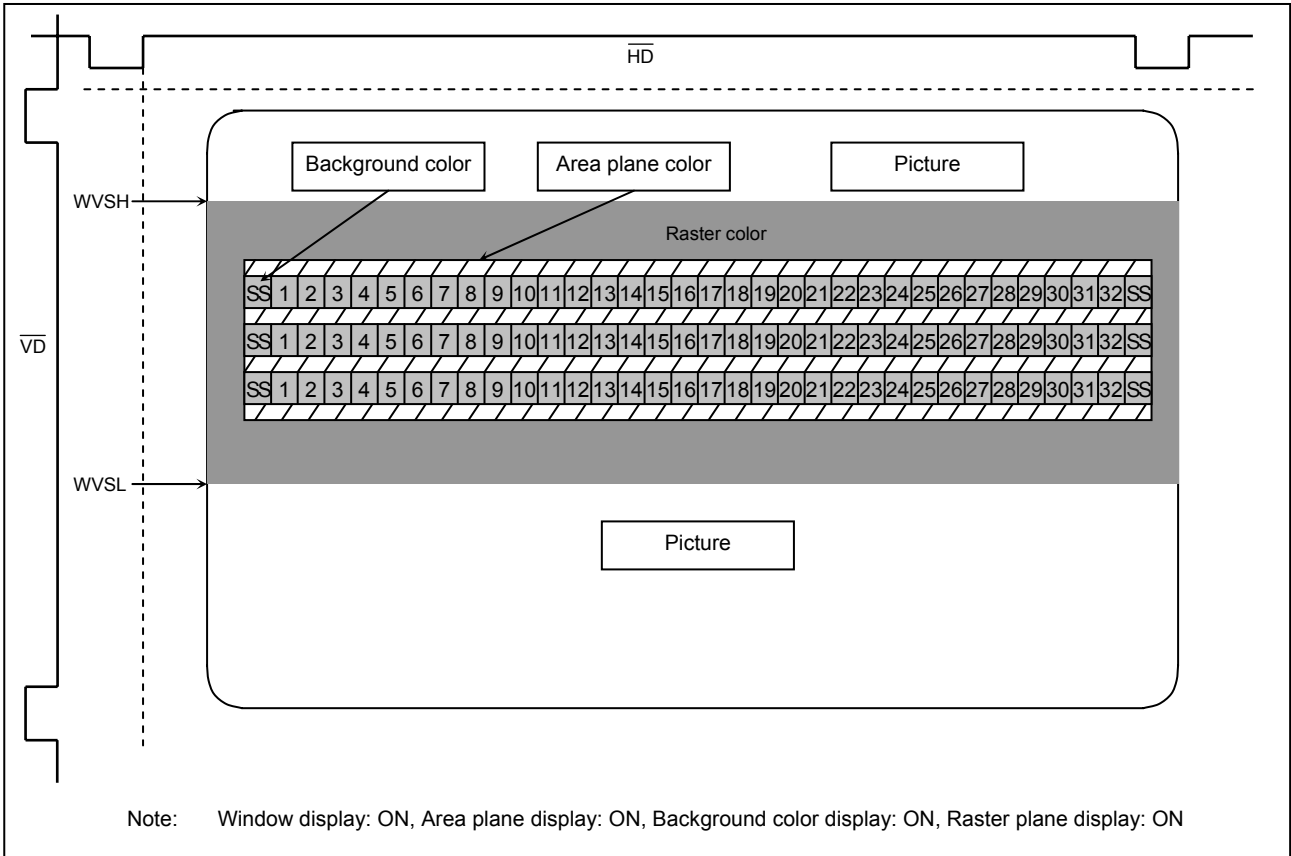


Figure 2.14.27 Display Example

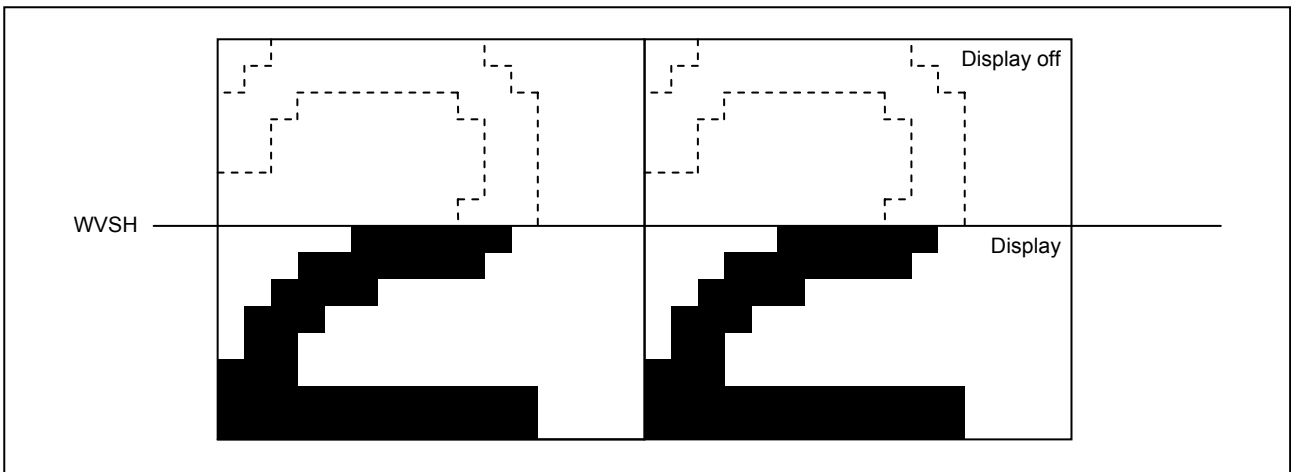


Figure 2.14.28 If WWSH is on a Code Plane

(3) Full-raster blanking function

Full-raster blanking function is used to color the entire background for the display area (TV screen). When using the full-raster blanking function, set YBLCS (bit 2 in ORP6S) to "1", output BL signal from Y/BL pin, because Y signal cannot delete whole display page from video signal.

This function is specified for each display page by setting EXBL (bit 6 in ORRCL) in the OSD register to "1".

Full-raster blanking specification unit: Display page

Full-raster blanking enable register (1 bit) ... EXBL (bit 6 in ORRCL)

"0" ... Disable full-raster blanking

"1" ... Enable full-raster blanking

Full-raster blanking color specification ... RCLR, RCLG, RCLB registers (3 bits) (bit 2 to 0 in ORRCL)

Table 2.14.10 Raster Plane Color

RCLR	RCLG	RCLB	Raster plane color
0	0	0	Setting color or ORCPT0
0	0	1	Setting color or ORCPT1
0	1	0	Setting color or ORCPT2
0	1	1	Setting color or ORCPT3
1	0	0	Setting color or ORCPT4
1	0	1	Setting color or ORCPT5
1	1	0	Setting color or ORCPT6
1	1	1	Setting color or ORCPT7

(4) Area plane function

Area plane function is used to display square area to two points on a screen.

Two planes operate independently. They are displayed according to the priority (area plane 1 > area plane 2).

See area plane display position setting in section 2.14.6.3 (2) how to set display positions for each area.

Each area plane is set to ON or OFF by AON2 and AON1 (bit 5 and bit 4 in ORRCL).

Area plane colors are set by ACLRx, ACLGx, ACLBx (bit 6 to bit 4 and bit 2 to bit 0 in ORACL, x = 1, 2).

Area plane colors: 8 or 27

Area plane specification unit: plane

Area plane color specification register (6 bit)

Area plane 1: ACLR1/ACLG1/ACLB1 (bit 2 to 0 in ORACL)

Area plane 2: ACLR2/ACLG2/ACLB2 (bit 6 to 4 in ORACL)

Table 2.14.11 Area Plane Color

ACLRx	ACLGx	ACLBx	Area plane color
0	0	0	Setting color of ORCPT0
0	0	1	Setting color of ORCPT1
0	1	0	Setting color of ORCPT2
0	1	1	Setting color of ORCPT3
1	0	0	Setting color of ORCPT4
1	0	1	Setting color of ORCPT5
1	1	0	Setting color of ORCPT6
1	1	1	Setting color of ORCPT7

(x: 1, 2)

(5) I-pin function

The I-pin output becomes valid only for area planes. Resetting the PIDS OSD control register (bit 3 in the ORP6S register) to "0" causes P57 to work for I-pin output. If you want to produce an I-pin output for area plane 1, set the PISEL1 OSD control register (bit 3 in the ORACL register) to "1". If you want to produce an I-pin output for area plane 2, set the PISEL2 OSD control register (bit 7 in the ORACL register) to "1". The I-pin output depends on the display priority of the area planes.

(6) Examples of OSD outputs

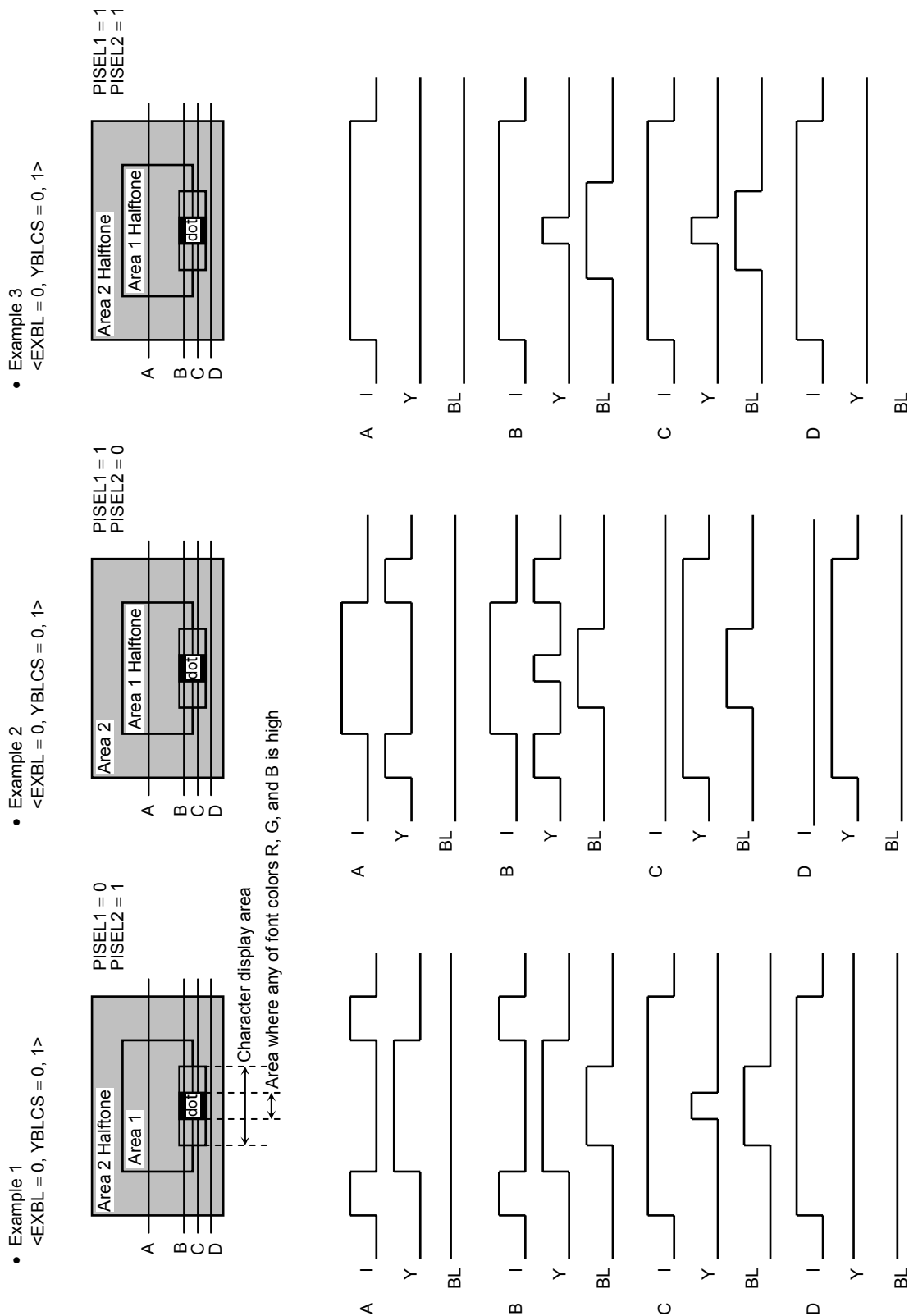


Figure 2.14.29 OSD Output Examples (a)

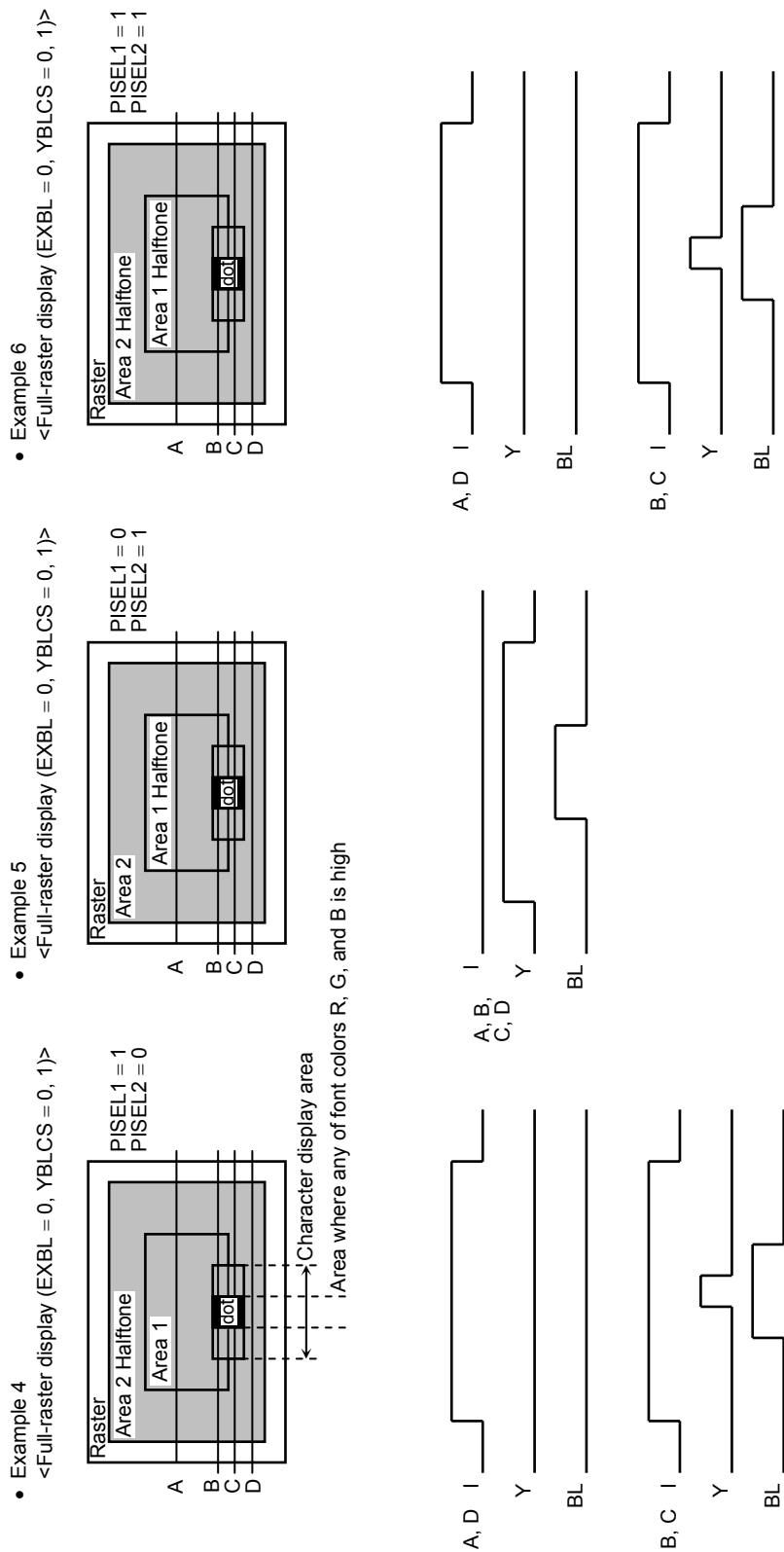


Figure 2.14.30 OSD Output Examples (b)

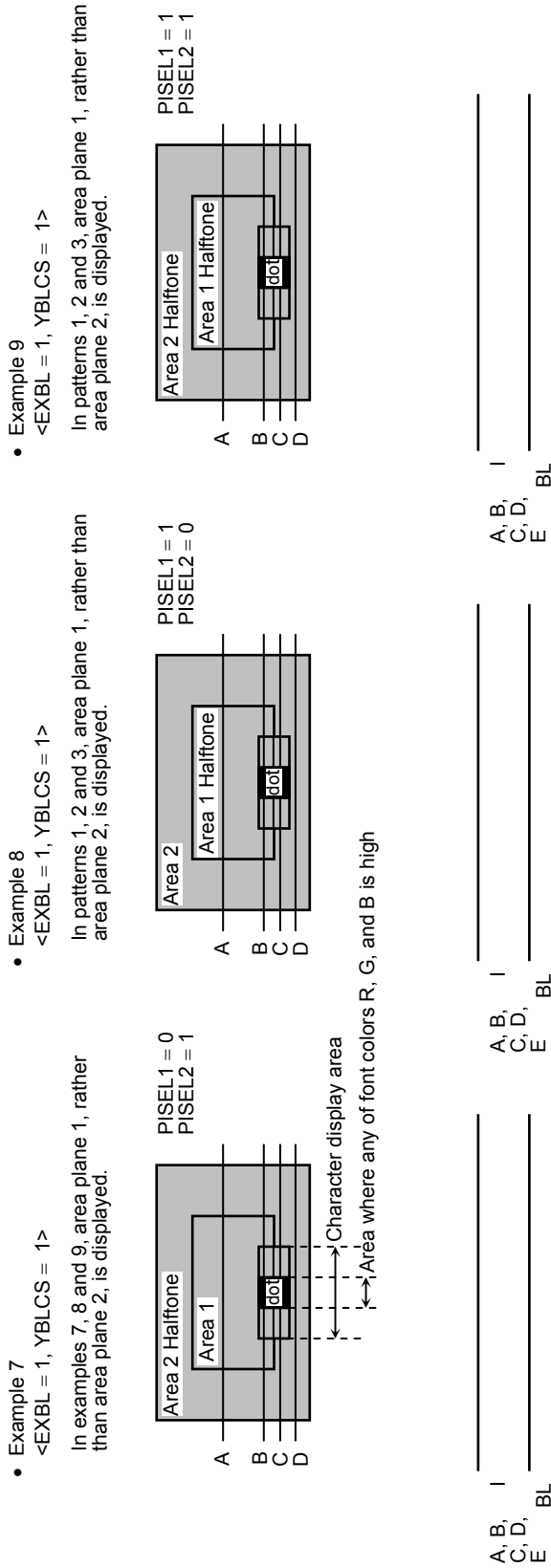
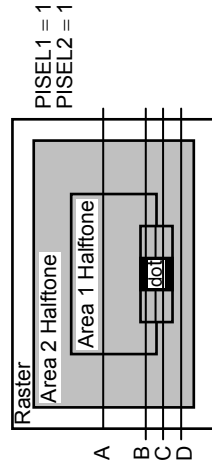
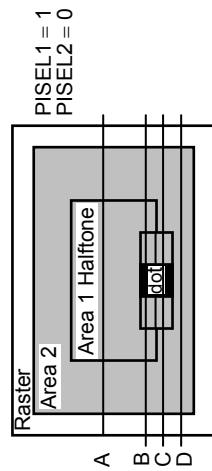


Figure 2.14.31 OSD Output Examples (c)

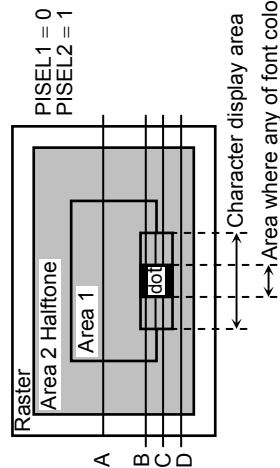
- Example 12
<Full-raster display (EXBL = 1, YBLCS = 1)>



- Example 11
<Full-raster display (EXBL = 1, YBLCS = 1)>



- Example 10
<Full-raster display (EXBL = 1, YBLCS = 1)>
In patterns 1, 2 and 3, area plane 1, rather than area plane 2, is displayed.



A, B, I
C, D, BL
E

A, B, I
C, D, BL
E

A, B, I
C, D, BL
E

Figure 2.14.32 OSD Output Examples (d)

2.14.6.6 Interrupt Control

(1) Display line counter

The display line counter indicates number of display line (s) by OSD circuit on the TV screen. The display line counter is a 4-bit counter which is initialized to "0" by the falling edge of the \overline{VD} signal and which increments when last scanning of each display line is completed (falling edge of the \overline{HD} signal). It is necessary to be read out display line counter several times, because it does not synchronize CPU clock.

Display line counter register (4 bits) ... DCTR (bit 3 to 0 in ORIRC)

"0000" ... No display line is completed.

"0001" ... 1st display line is completed.

"0010" ... 2nd display line is completed.

to to

"1111" ... 15th display line is completed.

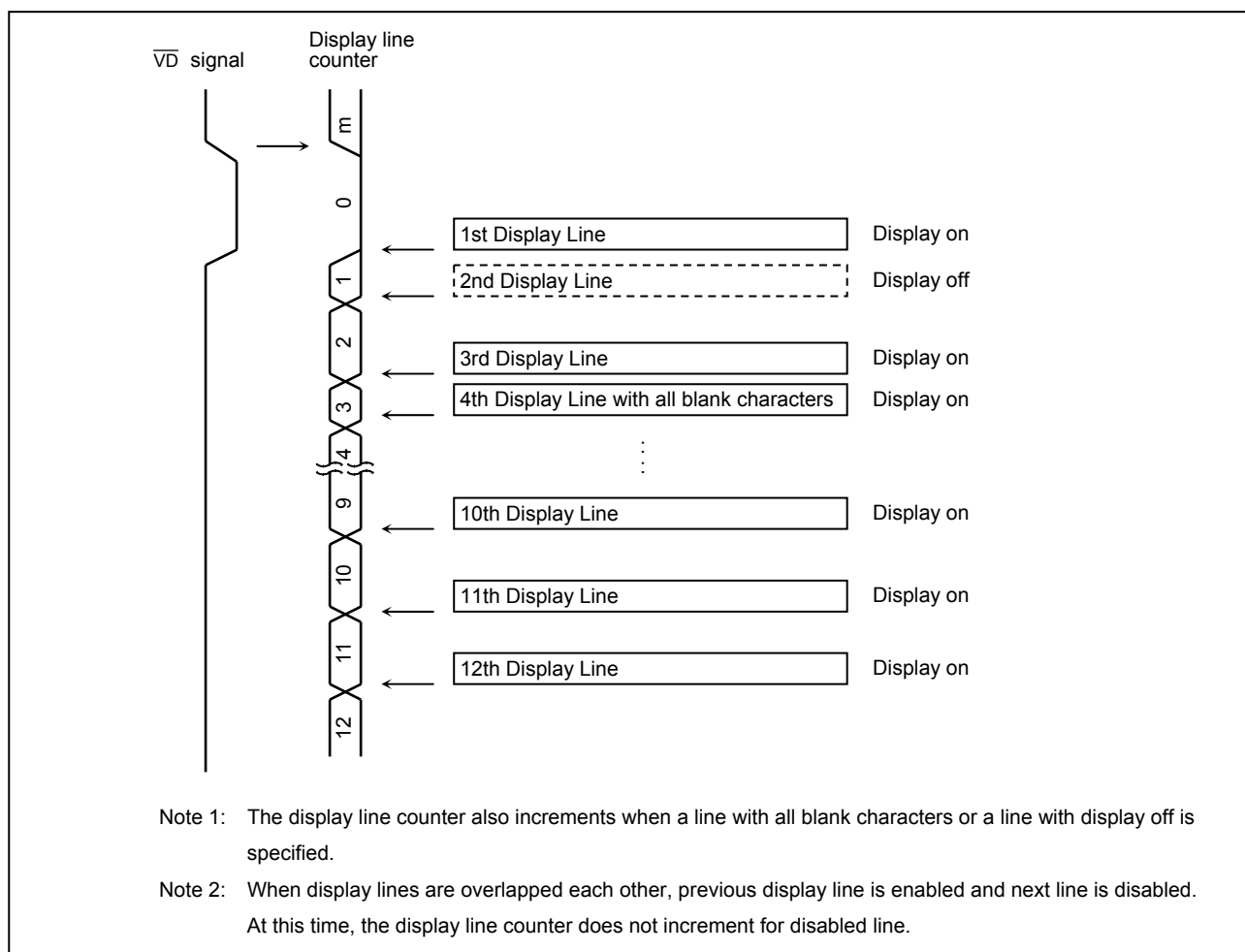


Figure 2.14.33 Display Line Counter

(2) Interrupt generator circuit

An interrupt request is generated when a falling edge of \overline{VD} signal or when line counter (DCTR) is counted to the certain value specified by ISDC.

Interrupt source select register (1 bit): SVD (bit 4 in ORIRC)

- “0” ... Interrupt request generated when the display line counter (DCTR) is counted to the certain value which is specified by ISDC.
 “1” ... Interrupt request is generated when a falling edge of \overline{VD} signal.

Interrupt generation line specification register (4 bits) ... ISDC (bit 3 to 0 in ORIRC)

- “0000” ... Interrupt request generated when the display line counter is cleared.
 “0001” ... Interrupt request generated at end points of the last scanning line of the first display line
 “0010” ... Interrupt request generated at end points of the last scanning line of the 2nd display line
 to
 “1111” ... Interrupt request generated at end points of the last scanning line of the 15th display line

2.14.6.7 Display Memory Access

(1) Display memory

The display memory is accessed for two purposes, one for writing data to the display memory, and one for reading data from the display memory.

Display memory address specification registers ... DMA8 to MDA0 (ORDMA) (9 bits)

Display memory data write registers

- Character code write register (9 bits) ... CRA8 to CRA0 (ORCRA)
 Character ornamentation data write registers (6 bits) ... SLNT, EUL, BLF, RDT, GDT, and BDT (ORDSN)
 Character-specific background on/off specification register (1 bit) ... ECBKD (ORDSN register)

Display memory bank select register MBK (bit 1 in ORETC)

- “0” ... When writing either character code or character ornamentation data
 “1” ... When writing both character code and character ornamentation data

Note 1: These control registers have a characteristic that immediately when a value is written to the register, the content of the register is transferred as valid data to the OSD circuit/display memory.

Note 2: The data written to the display memory takes effect at the same time it is written. When character code or character ornamentation data is written to the display memory while it is displaying some character, the character may not be displayed correctly. When writing data to the display memory, make sure no character is being displayed in the memory location where you are going to write data.

Note 3: When writing data to or reading data from the display memory, do not use two-byte transfer instructions such as “LDW(HL),mn LD rr, (pp).” Otherwise, erroneous data may be written to the display memory or data may be written to an incorrect address.

Note 4: Allow for at least two instruction cycles between a display memory address write instruction and a data write or read instruction. Also, when continuous writing data to or reading data from the display memory, allow for at least two instruction cycles between one write or read instruction and the next. Otherwise, erroneous data may be written to the display memory or data may be written to an incorrect address.

Note 5: When setting display memory addresses, always be sure to write all of 9 address bits sequentially in order of DMA8 and DMA7 to DMA0.

1. Normal mode

In normal mode, the display memory addresses are automatically incremented each time data is read from or written to the memory. Because addresses are automatically incremented, this mode may be used for reading from or writing data to multiple continuous addresses simultaneously.

<Display memory write sequence in normal mode>

(a) When writing either character code or character ornamentation data

- (1) Set MFYWR, MBK, and RDWRV all to 0.
- (2) Write the most significant address bit of the display memory to DMA8. Go on and write the 8 low-order address bits of the display memory to DMA7 to DMA0.
- (3) Writing character code or character ornamentation data
 - Writing character code

Write the most significant bit of character code to CRA8. Go on and write the 8 low-order bits of character code to CRA7 through CRA0. At this point in time, the 9 bits of character code written are transferred to the display memory, and DMA8 to DMA0 are automatically incremented.
 - Writing character ornamentation data

Write character ornamentation data to SLNT, EUL, BLF, ECBKD, RDT, GDT, and BDT. At this point in time, the character ornamentation data written are transferred to the display memory, and DMA8 to DMA0 are automatically incremented.
- (4) To write data (character code or character ornamentation data) to continuous addresses, repeat step (3).

(b) When writing character code and character ornamentation data at a time

- (1) Set MFYWR to 0, MBK to 1, and RDWRV to 0.
- (2) Write the most significant address bit of the display memory to DMA8. Go on and write the 8 low-order address bits of the display memory to DMA7 to DMA0.
- (3) Write character ornamentation data to SLNT, EUL, BLF, ECBKD, RDT, GDT, and BDT. At this point in time, the character ornamentation written are transferred to the display memory.
- (4) Write the most significant bit of character code to CRA8. Go on and write the 8 low-order bits of character code to CRA7 to CRA0. At this point in time, the 9 bits of character code written and the character ornamentation data written in step (3) are transferred to the display memory, and DMA8 to DMA0 are automatically incremented.
- (5) To write data to continuous addresses, repeat steps (3) and (4).

<Display memory read sequence in normal mode>

- (a) When reading either character code or character ornamentation data
 - (1) Set MFYWR to 0, MBK to 0, and RDWRV to 1.
 - (2) Write the most significant address bit of the display memory to DMA8. Go on and write the 8 low-order address bits of the display memory to DMA7 to DMA0.
 - (3) Reading character code or character ornamentation data
 - Reading character code

Read the most significant bit of character code to CRA8. Go on and read the 8 low-order bits of character code to CRA7 to CRA0. At this point in time, DMA8 to DMA0 are automatically incremented.
 - Reading character ornamentation data

Read character ornamentation data SLNT, EUL, BLF, ECBKD, RDT, GDT, and BDT. At this point in time, DMA8 through DMA0 are automatically incremented.
 - (4) To read data (character code or character ornamentation data) from continuous addresses, repeat step (3).
- (b) When reading character code and character ornamentation data at a time
 - (1) Set MFYWR to 0, MBK to 1, and RDWRV to 1.
 - (2) Write the most significant address bit of the display memory to DMA8. Go on and write the 8 low-order address bits of the display memory to DMA7 to DMA0.
 - (3) Read character ornamentation data SLNT, EUL, BLF, ECBKD, RDT, GDT, and BDT.
 - (4) Read the most significant bit of character code to CRA8. Read the 8 low-order bits of character code to CRA7 to CRA0. At this point in time, DMA8 to DMA0 are automatically incremented.
 - (5) To read data from continuous addresses, repeat steps (3) and (4).

2. Read-modify-write mode

When writing data in read-modify-write mode, the display memory addresses are automatically incremented as in normal mode, but when reading data in this mode, the memory addresses are not automatically incremented.

Therefore, immediately after executing a read from some display memory address, you can execute a write to the same display memory address. After executing a write, the display memory addresses are automatically incremented.

- (a) Reading/writing either character code or character ornamentation data in read-modify-write mode
 - (1) Set MFYWR to 1 and MBK to 0, and RDWRV to 1.
 - (2) Write the most significant address bit of the display memory to DMA8. Go on and write the 8 low-order address bits of the display memory to DMA7 to DMA0.
 - (3) Reading character code or character ornamentation data
 - Reading character code

Read the most significant bit of character code to CRA8. Read the 8 low-order bits of character code to CRA7 to CRA0. DMA8 to DMA0 are not incremented.
 - Reading character ornamentation data

Read character ornamentation data SLNT, EUL, BLF, ECBKD, RDT, GDT, and BDT. DMA8 to DMA0 are not incremented.

- (4) Writing character code or character ornamentation data
 - Set RDWRV to “0”.
 - Writing character code

Write the most significant bit of character code to CRA8. Go on and write the 8 low-order bits of character code to CRA7 to CRA0. At this point in time, the 9 bits of character code written are transferred to the display memory, and DMA8 to DMA0 are automatically incremented.
 - Writing character ornamentation data

Write character ornamentation data to SLNT, EUL, BLF, ECBKD, RDT, GDT, and BDT. At this point in time, the character ornamentation data written are transferred to the display memory, and DMA8 to DMA0 are automatically incremented.
 - (5) To continue executing read-modify-write operations, repeat steps (1) to (4). To read/write data (character code or character ornamentation data). To continue executing read modify-write mode from continuous addresses, repeat steps (3) and (4).
- (b) Reading/writing both character code and character ornamentation data in read-modify-write mode
- (1) Set MFYWR to 1, MBK to 1 and RDWRV to 1.
 - (2) Write the most significant address bit of the display memory to DMA8. Go on and write the 8 low-order address bits of the display memory to DMA7 to DMA0.
 - (3) Read character ornamentation data SLNT, EUL, BLF, ECBKD, RDT, GDT, and BDT. At this point in time, DMA8 to DMA0 are not incremented.
 - (4) Read the most significant bit of character code to CRA8. Read the 8 low-order bits of character code to CRA7 to CRA0. At this point in time, DMA8 to DMA0 are not incremented.
 - (5) Set RDWRV to “0”.
 - (6) Write character ornamentation data to SLNT, EUL, BLF, ECBKD, RDT, GDT, and BDT. At this point in time, the character ornamentation data written is transferred to the display memory.
 - (7) Write the most significant bit of character code to CRA8. Go on and write the 8 low-order bits of character code to CRA7 to CRA0. At this point in time, the 9 bits of character code written and the character ornamentation data written in step (6) are transferred to the display memory, and DMA8 to DMA0 are automatically incremented.
 - (8) To continue executing read-modify-write operations, repeat steps (1) to (7). (To read/write data to and from continuous addresses in read-modify-write mode, repeat steps (3) to (7).)

Table 2.14.12 Address Increment

		RD(RDWRV =1)		WR(RDWRV=0)	
		Character ornamentation	Character code	Character ornamentation	Character code
MFYWR = 0	MBK = 0	INC	INC	INC	INC
	MBK = 1	-	INC	-	INC
MFYWR = 1	MBK = 0	-	-	INC	INC
	MBK = 1	-	-	-	INC

INC: Automatic address increment at read or write.

-: No address change at data read or write.

Example: Setting a character code (020H) to the display memory (Address: 120H) and setting a character ornamentation (001H) for character code 020H and display memory address 120H.

1. MBK = 0
 - ; Set display memory address
 - LD (0x25), 0x01 ; ORDMA<DMA8>
 - LD (0x24), 0x20 ; ORDMA<DMA7:0>
 - ; Set character code
 - LD (0x1F), 0x00 ; ORCRA<CRA8>
 - LD (0x1E), 0x20 ; ORCRA<CRA7:0>
 - ; Set display memory address again
 - LD (0x25), 0x01
 - LD (0x24), 0x20
 - ; Set character ornamentation
 - LD (0x1D), 0X01 ; ORDSN<SLNT, BDT>
2. MBK = 1
 - ; Set display memory address
 - LD (0x25), 0x01
 - LD (0x24), 0x20
 - ; Set character ornamentation
 - LD (0x1D), 0X01
 - ; Set character code
 - LD (0x1F), 0x00
 - LD (0x1E), 0x20

Note 1: To write character data into the display memory, first write into register CRA8 and then write into registers CRA7 to CRA0. When data is written into registers CRA7 to CRA0, DMA is incremented. It is impossible to write into the display memory for CRA7 to CRA0 alone. If no data is written into register CRA8 while data is written into registers CRA7 to CRA0, the value previously written into register CRA8 is written into the associated display memory.

Note 2: To read data from the display memory, first read from register CRA8, and then read from registers CRA7 to CRA0. When data is read from registers CRA7 to CRA0, DMA8 to DMA0 is incremented.

Note 3: There should be a time interval of at least two machine cycles between a DMA set instruction and a data write/read instruction. There should be a time interval of at least two machine cycles between a data write instruction and a data read instruction.

(2) Characters

- If ROMACH (bit 5 in ORDON) = 0

Characters: 383 monochrome font characters and 96 color font characters

Character specification register (9 bits): CRA8 to CRA0 (bits 8 to 0 in the ORCRA register)

Character codes: User-programmable in character ROM

Monochrome font codes "001H" to "17FH"

Color font codes "180H" to "1DFH"

- If ROMACH (bit 5 in ORDON) = 1

Characters: 447 monochrome font characters and 64 color font characters

Character specification register (9 bits): CRA8 to CRA0 (bits 8 to 0 in the ORCRA register)

Character codes: User-programmable in character ROM

Monochrome font codes "001H" to "17FH", "1C0H" to "1DFH", "1F0H" to "1FFH"

Color font codes "180H" to "1BFH"

(3) Character color

Character colors: 8 or 27

Character color specification unit: Character

Character color specification register (3 bits): RDT/GDT/BDT (bit2 to 0 in ORDSN)

Table 2.14.13 Character Color

RDT	GDT	BDT	Character color
0	0	0	Setting color of ORCPT0
0	0	1	Setting color of ORCPT1
0	1	0	Setting color of ORCPT2
0	1	1	Setting color of ORCPT3
1	0	0	Setting color of ORCPT4
1	0	1	Setting color of ORCPT5
1	1	0	Setting color of ORCPT6
1	1	1	Setting color of ORCPT7

(4) Blinking function

Blinking function is used to blink display characters.

When BKMF is "1", characters specified for blinking by BLF are not displayed. (If the background color function is used, the background color is not disappeared.)

Blinking specification unit: Character

Blinking specification register (1 bit) ... BLF (bit 4 in ORDSN)

"0" ... No blinking

"1" ... Blinking

Blinking master specification register (1 bit) ... BKMF (bit 5 in ORETC)

"0" ... Disable blinking

"1" ... Enable blinking (Characters whose BLF are set to "1" are not displayed.)

Note: Regarding the extra dot of the left and/or right character by fringing function, it is not enabled as blink.

(5) Underline function

Underline function is used to add a line under a display character. The underline is same color as that of character.

Underline specification unit: Character/Line

Underline enable register (Character unit) (1 bit) ... EUL (Bit 5 in ORDSN)

“0” ... No underline

“1” ... Underline

Underline enable register (Line unit) (1 bit × 12) ... EULAn (n: 1 to 8) (OREULA8),
EULAn (n: 9 to 12) (OREULA12)

Underline colors: 8 or 27

Underline color specification registers (3 bits) ... RDT, GDT, BDT (Bit 2 to 0 in ORDSN)
(refer to Table 2.15.10)

Note 1: To use the underline function, set both the underline enable register for underlining text in characters and that for underlining text in lines. If the former register (EUL) only is set, an underline is not displayed.

Note 2: A color font underline can be displayed in colors set up using RDT, GDT, and RDT.

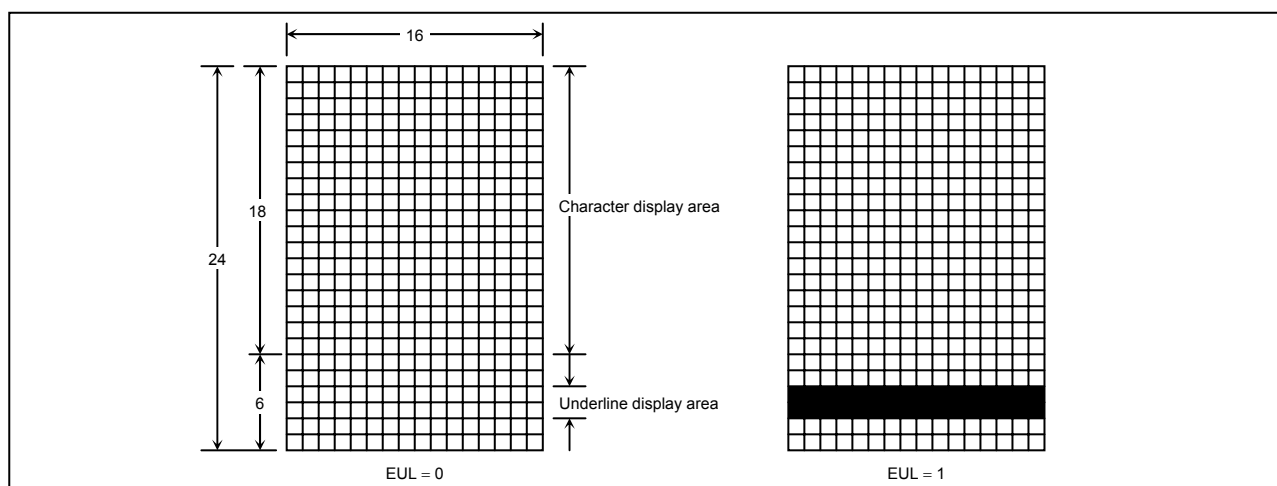


Figure 2.14.34 Underline

(6) Solid space control

Solid space control is used to display one column of solid space to the left and right of 32 columns.

Solid space control is used to delete the Video signal in the areas where solid spaces are located in the original display page, then add color (raster color) to them.

Solid space specification unit: line

Solid space specification register (24 bits)

For line 1	SOL11 and SOL10 (Bits 1 and 0 in ORSOL4)
For line 2	SOL21 and SOL20 (Bits 3 and 2 in ORSOL4)
⋮	⋮
For line 12	SOL121 and SOL120 (Bits 7 and 6 in ORSOL12)

Solid space specification

The solid space control functions as follows:

SOL_x1/SOL_x0 (x = 1 to 12)

"00"	⋯	No solid space display
"01"	⋯	Solid space display left for 32 columns
"10"	⋯	Solid space display right for 32 columns
"11"	⋯	Solid space display left and right for 32 columns

Solid space color specification registers (3 bits)

⋯	RBDT, GBDT, BBDT (Bits 2 to 0 in ORBK)
	(Same color as that of background)

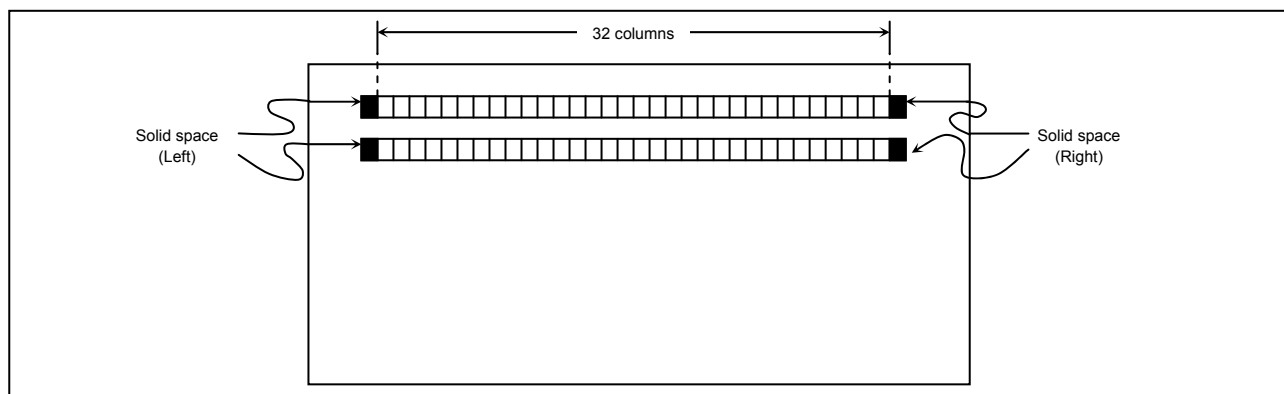


Figure 2.14.35 Solid Space

(7) Slant function

Slant function is used to slant characters for italics.

Slant specification unit: Character

Slant enable register (1 bit) ··· SLNT (Bit 6 in ORDSN)

“0” ··· No slant

“1” ··· Slant

Note 1: SLANT function is enabled each characters, and therefore, in case of using background function, this color of the Background is enable as slant. Regarding the extra dots of the left and/or right character by fringing function, it is not enabled as slant.

Note 2: When a character is slanted in an area, which overlaps with the character field, the overlap is also slanted.

Note 3: If slanting a character causes part of the character to get into the character field to the immediate right of the character, then this part is not displayed.

Note 4: R, G, B, and Y are all slanted. Thus, if the Y signal is selected, a video signal is displayed above and to the left of the slant character. If the specified background color is black, setting YBLCS to “1” prevents the upper-left video signal for a slant character from being displayed.

Note 5: When a character is slanted, the dot data to the immediate left of the character is also slanted.

Note 6: Do not specify slanting for the color font.

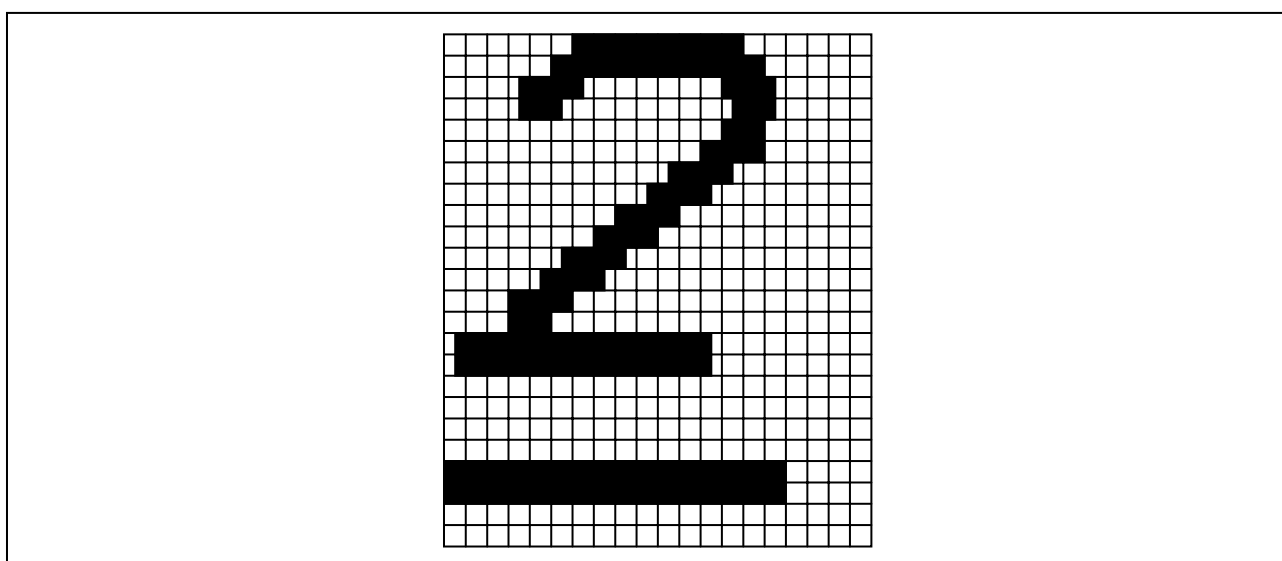
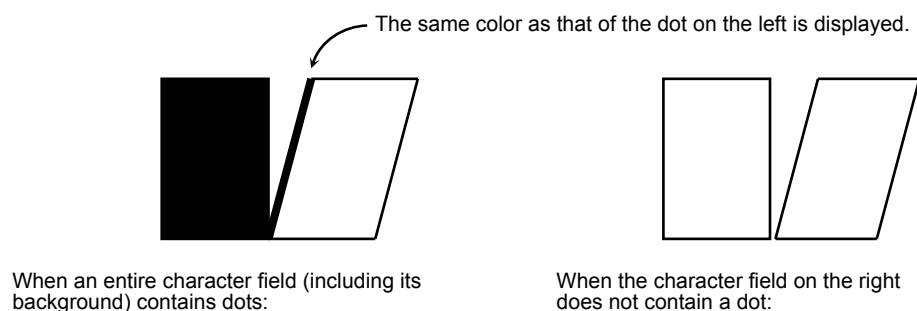


Figure 2.14.36 Slant

(8) Functions supporting PAL100/NTSC120

This LSI package supports the PAL (Phase Alternating Lines) 100 and NTSC (National Television System Community) 120 broadcasting systems. Figure 2.14.35 schematically shows the supported screen scanning method.

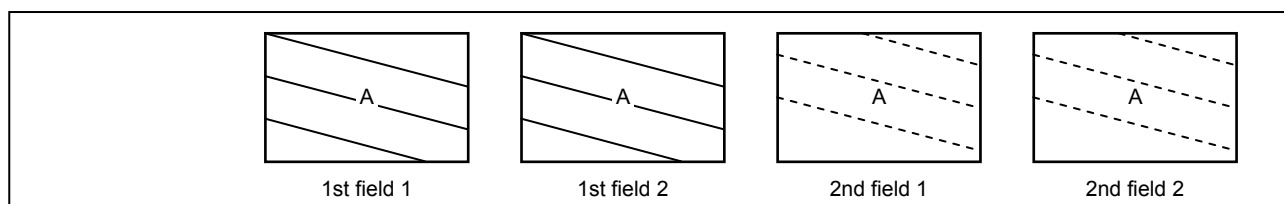


Figure 2.14.37 PAL100/NTSC120 Image Scanning Lines (Schematic Diagram)

PAL100 support enable unit: Screen

PAL100 support enable register (1 bit): EPAL100 (bit 5 in the ORDON register)

PAL100 screen display start enable register (1 bit): PALTRG (bit 0 in the ORSTRG register)

To support PAL100/NTSC120, follow this procedure.

- (a) To use PAL100/NTSC120, set the EPAL100 OSD control register (bit 5 in the ORDON register) to "1".
- (b) Read the phase detection results, PDF0 to PDF2, of the horizontal sync signal (HD) and the vertical sync signal (VD) (bits 6, 5, and 0 in the JESR jitter elimination status register) each time a VD interrupt occurs.
- (c) By reading the phase detection results PDF0 to PDF2, the phase of screen scanning is determined according to the detected field (1st or 2nd field).
- (d) Write PALTRG (bit 0 in the ORSTRG register) during the second cycle of the 2nd field (2nd field 2).

Once PALTRG has been written, it becomes possible to support PAL100/NTSC120 for OSD display in the next field (1st field).

Note 1: Use software to determine the write timing for PALTRG.

Note 2: It is impossible to normally display the screen on the field of which PALTRG is written.

Note 3: To read the phase detection results PDF0 to PDF2, write "1" to the JEEN jitter elimination control register (bit 2 in the JECR register) to enable the jitter elimination circuit.

2.14.6.8 OSD Control Registers

Can not access all OSD control registers in any of read-modify-write instructions such as bit operation, etc.

ORHS1 (00F81H)	7	6	5	4	3	2	1	0	(Initial value: 0000 0000)
	HS17	HS16	HS15	HS14	HS13	HS12	HS11	HS10	

Horizontal display start position specification	Write only
---	------------

ORVS1 (00F82H)	7	6	5	4	3	2	1	0	(Initial value: 0000 0000)
	VS17	VS16	VS15	VS14	VS13	VS12	VS11	VS10	
(00F83H)	-	-	-	-	-	-	VS19	VS18	(Initial value: **** **00)

ORVS2 (00F84H)	7	6	5	4	3	2	1	0	(Initial value: 0000 0000)
	VS27	VS26	VS25	VS24	VS23	VS22	VS21	VS20	
(00F85H)	-	-	-	-	-	-	VS29	VS28	(Initial value: **** **00)

ORVS3 (00F86H)	7	6	5	4	3	2	1	0	(Initial value: 0000 0000)
	VS37	VS36	VS35	VS34	VS33	VS32	VS31	VS30	
(00F87H)	-	-	-	-	-	-	VS39	VS38	(Initial value: **** **00)

ORVS4 (00F88H)	7	6	5	4	3	2	1	0	(Initial value: 0000 0000)
	VS47	VS46	VS45	VS44	VS43	VS42	VS41	VS40	
(00F89H)	-	-	-	-	-	-	VS49	VS48	(Initial value: **** **00)

ORVS5 (00F8AH)	7	6	5	4	3	2	1	0	(Initial value: 0000 0000)
	VS57	VS56	VS55	VS54	VS53	VS52	VS51	VS50	
(00F8BH)	-	-	-	-	-	-	VS59	VS58	(Initial value: **** **00)

ORVS6 (00F8CH)	7	6	5	4	3	2	1	0	(Initial value: 0000 0000)
	VS67	VS66	VS65	VS64	VS63	VS62	VS61	VS60	
(00F8DH)	-	-	-	-	-	-	VS69	VS68	(Initial value: **** **00)

ORVS7 (00F8EH)	7	6	5	4	3	2	1	0	(Initial value: 0000 0000)
	VS77	VS76	VS75	VS74	VS73	VS72	VS71	VS70	
(00F8FH)	-	-	-	-	-	-	VS79	VS78	(Initial value: **** **00)

ORVS8 (00F90H)	7	6	5	4	3	2	1	0	(Initial value: 0000 0000)
	VS87	VS86	VS85	VS84	VS83	VS82	VS81	VS80	
(00F91H)	-	-	-	-	-	-	VS89	VS88	(Initial value: **** **00)

ORVS9 (00F92H)	7	6	5	4	3	2	1	0	(Initial value: 0000 0000)
	VS97	VS96	VS95	VS94	VS93	VS92	VS91	VS90	
(00F93H)	-	-	-	-	-	-	VS99	VS98	(Initial value: **** **00)

ORVS10 (00F94H)	7	6	5	4	3	2	1	0	(Initial value: 0000 0000)
	VS107	VS106	VS105	VS104	VS103	VS102	VS101	VS100	
(00F95H)	-	-	-	-	-	-	VS109	VS108	(Initial value: **** **00)

ORVS11 (00F96H)	7	6	5	4	3	2	1	0	(Initial value: 0000 0000)
	VS117	VS116	VS115	VS114	VS113	VS112	VS111	VS110	
(00F97H)	-	-	-	-	-	-	VS119	VS118	(Initial value: **** **00)

ORVS12 (00F98H)	7	6	5	4	3	2	1	0	(Initial value: 0000 0000)
	VS127	VS126	VS125	VS124	VS123	VS122	VS121	VS120	
(00F99H)	-	-	-	-	-	-	VS129	VS128	(Initial value: **** **00)

VS _n 8 to 0	Vertical display start position for line n	Write only
------------------------	--	------------

(n: 1 to 12)

Note 1: If display lines are overlapped each other, previous display line is enabled and next line is disabled. Set the vertical display start position not to overlap display lines.

Note 2: Transfer the contents of vertical display start position registers into OSD circuit before a position of the scanning line coincides with their own vertical display start position.

ORCS4 (00F9AH)	7	6	5	4	3	2	1	0	
	CS4		CS3		CS2		CS1		(Initial value: 0000 0000)

ORCS8 (00F9BH)	CS8		CS7		CS6		CS5		(Initial value: 0000 0000)
-------------------	-----	--	-----	--	-----	--	-----	--	----------------------------

ORCS12 (00F9CH)	CS12		CS11		CS10		CS9		(Initial value: 0000 0000)
--------------------	------	--	------	--	------	--	-----	--	----------------------------

CSn	Character size and display on/off for line n	00: Display off 01: Large size 10: Middle size 11: Small size	Write only
-----	--	--	------------

(n: 1 to 12)

OREULA8 (00F9DH)	EULA8	EULA7	EULA6	EULA5	EULA4	EULA3	EULA2	EULA1	(Initial value: 0000 0000)
OREULA12 (00F9EH)	-----				EULA12	EULA11	EULA10	EULA9	(Initial value: **** 0000)

EULAn	Underline for display line for line n	0: Display off 1: Display on	
-------	---------------------------------------	---------------------------------	--

(n: 1 to 12)

OREFR8 (00F9FH)	7	6	5	4	3	2	1	0	
OREFR12 (00FA0H)	EFR8		EFR7		EFR6		EFR5		(Initial value: 0000 0000)
	-----				EFR12	EFR11	EFR10	EFR9	(Initial value: **** 0000)

EFRn	Fringing enable specification register for line n	0: Disable fringing 1: Enable fringing	Write only
------	---	---	------------

(n: 1 to 12)

Note: Do not specify fringing for small-size character.

ORSLO4 (00FA2H)	SLO4	SLO3	SLO2	SLO1	(Initial value: 0000 0000)
--------------------	------	------	------	------	----------------------------

ORSLO8 (00FA3H)	SLO8	SLO7	SLO6	SLO5	(Initial value: 0000 0000)
--------------------	------	------	------	------	----------------------------

ORSLO12 (00FA4H)	SLO12	SLO11	SLO10	SLO9	(Initial value: 0000 0000)
---------------------	-------	-------	-------	------	----------------------------

SLOn	Solid space for line n	00: No solid space display 01: Solid space display left 10: Solid space display right 11: Solid space display left and right	Write only
------	------------------------	---	------------

(n: 0 to 12)

ORBK (00FA5H) 7 6 5 4 3 2 1 0
 - RBDT GBDT BBDT - RFDT GFDT BFDT (Initial value: 0000 0000)

RBDT/ GBDT/ BBDT	Background color select	000: Setting color of ORCPT0 001: Setting color of ORCPT1 010: Setting color of ORCPT2 011: Setting color of ORCPT3 000: Setting color of ORCPT4 101: Setting color of ORCPT5 110: Setting color of ORCPT6 111: Setting color of ORCPT7	Write only
RFDT/ GFDT/ BFDT	Fringing color select	000: Setting color of ORCPT0 001: Setting color of ORCPT1 010: Setting color of ORCPT2 011: Setting color of ORCPT3 000: Setting color of ORCPT4 101: Setting color of ORCPT5 110: Setting color of ORCPT6 111: Setting color of ORCPT7	

ORACL (00FA6H) 7 6 5 4 3 2 1 0
 PISEL2 ACLR2 ACLG2 ACLB2 PISEL1 ACLR1 ACLG1 ACLB1 (Initial value: 0000 0000)

ACLR2/ ACLG2/ ACLB2	Area 2 plane color select	000: Setting color of ORCPT0 001: Setting color of ORCPT1 010: Setting color of ORCPT2 011: Setting color of ORCPT3 000: Setting color of ORCPT4 101: Setting color of ORCPT5 110: Setting color of ORCPT6 111: Setting color of ORCPT7	Write only
ACLR1/ ACLG1/ ACLB1	Area 1 plane color select	000: Setting color of ORCPT0 001: Setting color of ORCPT1 010: Setting color of ORCPT2 011: Setting color of ORCPT3 000: Setting color of ORCPT4 101: Setting color of ORCPT5 110: Setting color of ORCPT6 111: Setting color of ORCPT7	
PISEL2		0: Not assign half transparency for area 2 plane 1: Assign half transparency for area 2 plane	
PISEL1		0: Not assign half transparency for area 1 plane 1: Assign half transparency for area 1 plane	

ORIV (00FBH) 7 6 5 4 3 2 1 0 (Initial value: 0000 0000)

VDPOL	HDPOL	YBLII	RGBII	YIV	BLIV	RGBIV	IIV
-------	-------	-------	-------	-----	------	-------	-----

VDPOL	VD input polarity select	0: Non-invert input signal 1: Invert input signal	Write only
HDPOL	HD input polarity select	0: Non-invert input signal 1: Invert input signal	
YBLII	Y/BLIN input polarity select	0: Active high 1: Active low	
RGBII	RIN, GIN, BIN input polarity select	0: Active high 1: Active low	
YIV	Y output polarity select	0: Active high 1: Active low	
BLIV	BL output polarity select	0: Active high 1: Active low	
RGBIV	R, G, B output polarity select	0: Active high 1: Active low	
IIV	I output polarity select	0: Active high 1: Active low	

ORDMA (00024H) 7 6 5 4 3 2 1 0 (Initial value: 0000 0000)

DMA7	DMA6	DMA5	DMA4	DMA3	DMA2	DMA1	DMA0
------	------	------	------	------	------	------	------

(Initial value: 0000 0000)

(00025H) ----- DMA8 (Initial value: **** ***)

DMA _n	Display memory address	Write only
------------------	------------------------	------------

(n: 0 to 8)

Note: It is necessary to write all bits of display memory address, writing DMA7 to DMA0 after DMA8, when writing display address.

ORDSN (0001DH) 7 6 5 4 3 2 1 0 (Initial value: **** ***)

-	SLNT	EUL	BLF	ECBKD	RDT	GDT	BDT
---	------	-----	-----	-------	-----	-----	-----

SLNT	Slant enable specification register	0: Disable slant 1: Enable slant	Read/Write
EUL	Underline enable specification register	0: Disable underline 1: Enable underline	
BLF	Blinking enable specification register	0: Disable blinking 1: Enable blinking	
ECBKD	Character-specific background on/off specification	0: Disable background color display 1: Enable background color display	
RDT/ GDT/ BDT	Character color select	000: Setting color of ORCPT0 001: Setting color of ORCPT1 010: Setting color of ORCPT2 011: Setting color of ORCPT3 000: Setting color of ORCPT4 101: Setting color of ORCPT5 110: Setting color of ORCPT6 111: Setting color of ORCPT7	

Note: To display a background color, write "1" to EBKGD (bit 7 in the ORRCL register) to enable the background function enable register for the entire screen.

ORCRA	7	6	5	4	3	2	1	0	
(0001EH)	CRA7	CRA6	CRA5	CRA4	CRA3	CRA2	CRA1	CRA0	(Initial value: **** *)
(0001FH)	-	-	-	-	-	-	-	CRA8	(Initial value: **** *)

CRA _n	Character code	Read/Write
------------------	----------------	------------

(n: 0 to 8)

Note: Write or read CRA7 to CRA0 after write or read CRA8.

ORVWSH	7	6	5	4	3	2	1	0	
(00FBCH)	WVSH7	WVSH6	WVSH5	WVSH4	WVSH3	WVSH2	WVSH1	WVSH0	(Initial value: 0000 0000)
(00FBDH)	-	-	-	-	-	-	WVSH9	WVSH8	(Initial value: **** **00)

WVSL _n	Window upper limit position	Write only
-------------------	-----------------------------	------------

(n: 0 to 9)

ORVWSL	7	6	5	4	3	2	1	0	
(00FBEH)	WVSL7	WVSL6	WVSL5	WVSL4	WVSL3	WVSL2	WVSL1	WVSL0	(Initial value: 0000 0000)
(00FBFH)	-	-	-	-	-	-	WVSL9	WVSL8	(Initial value: **** **00)

WVSL _n	Window lower limit position	Write only
-------------------	-----------------------------	------------

(n: 0 to 9)

ORDON	7	6	5	4	3	2	1	0	
(00F80H)	-	-	EPAL100	ROMACH	ECHDSN	RGWR	EWDW	DON	(Initial value: **00 0000)

EPAL100	PAL100 mode specification register	0: PAL100 mode disable 1: PAL100 mode enable	Read/Write
ROMACH	Monochrome/color font area switching register	0: 383 monochrome font characters 96 color font characters 1: 447 monochrome font characters 64 color font characters	
ECHDSN	Character-specific background color setting on/off specification register	0: Character-specific background color setting off 1: Character-specific background color setting on	
RGWR	Data transfer control OSD register	0: (Initial setting) 1: Written data is transferred to the OSD circuit (cleared to "0" after the transfer).	
EWDW	Window enable specification register	0: Window specification off 1: Window specification on	
DON	Display on/off specification register	0: Display off 1: Display on	

Note 1: *: Don't care

Note 2: All OSD control registers cannot use the read-modify-write instructions. (Bit manipulation instructions such as SET, CLR, etc. and logical operation such as AND, OR, etc.)

ORRCL (00FA7H) 7 6 5 4 3 2 1 0
 EBKGD EXBL AON2 AON1 - RCLR RCLG RCLB (Initial value: 0000 *000)

EBKGD	Background function enable specification register	0: No background function 1: Background function enable	Write only
EXBL	Full-raster blanking enable specification register	0: No Full-raster blanking 1: Full-raster blanking	
AON2	Area 2 plane display enable specification register	0: No area 2 plane display 1: Area 2 plane display enable	
AON1	Area 1 plane display enable specification register	0: No area 1 plane display 1: Area 1 plane display enable	
RCLR/ RCLG/ RCLB	Raster plane color select	000: Setting color of ORCPT0 001: Setting color of ORCPT1 010: Setting color of ORCPT2 011: Setting color of ORCPT3 000: Setting color of ORCPT4 101: Setting color of ORCPT5 110: Setting color of ORCPT6 111: Setting color of ORCPT7	

ORAHS1	7	6	5	4	3	2	1	0	
(00FA8H)	AHS17	AHS16	AHS15	AHS14	AHS13	AHS12	AHS11	AHS10	(Initial value: 0000 0000)
(00FA9H)	-	-	-	-	-	-	-	AHS18	(Initial value: **** **0)

ORAHE1									
(00FAAH)	AHE17	AHE16	AHE15	AHE14	AHE13	AHE12	AHE11	AHE10	(Initial value: 0000 0000)
(00FABH)	-	-	-	-	-	-	-	AHE18	(Initial value: **** **0)

AHS1n	Horizontal start point for area 1 plane	Write only
AHE1n	Horizontal end point for area 1 plane	

(n: 0 to 8)

ORAVS1									
(00FACH)	AVS17	AVS16	AVS15	AVS14	AVS13	AVS12	AVS11	AVS10	(Initial value: 0000 0000)
(00FADH)	-	-	-	-	-	-	-	AVS19	(Initial value: **** **0)

ORAVE1									
(00FAEH)	AVE17	AVE16	AVE15	AVE14	AVE13	AVE12	AVE11	AVE10	(Initial value: 0000 0000)
(00FAFH)	-	-	-	-	-	-	-	AVE19	(Initial value: **** **0)

AVS1n	Vertical start point for area 1 plane	Write only
AVE1n	Vertical end point for area 1 plane	

(n: 0 to 9)

ORAHS2								
(00FB0H)	AHS27	AHS26	AHS25	AHS24	AHS23	AHS22	AHS21	AHS20
(00FB1H)	-	-	-	-	-	-	-	AHS28

ORAHE2									
(00FB2H)	AHE27	AHE26	AHE25	AHE24	AHE23	AHE22	AHE21	AHE20	(Initial value: 0000 0000)
(00FB3H)	-	-	-	-	-	-	-	AHE28	(Initial value: **** **0)

AHS2n	Horizontal start point for area 2 plane	Write only
AHE2n	Horizontal end point for area 2 plane	

(n: 0 to 8)

ORAVS2									
(00FB4H)	AVS27	AVS26	AVS25	AVS24	AVS23	AVS22	AVS21	AVS20	(Initial value: 0000 0000)
(00FB5H)	-	-	-	-	-	-	-	AVS29	(Initial value: **** **0)

ORAVE2									
(00FB6H)	AVE27	AVE26	AVE25	AVE24	AVE23	AVE22	AVE21	AVE20	(Initial value: 0000 0000)
(00FB7H)	-	-	-	-	-	-	-	AVE29	(Initial value: **** **0)

AVS2n	Vertical start point for area 2 plane	Write only
AVE2n	Vertical end point for area 2 plane	

(n: 0 to 9)

ORP6S
(00FBAH) 7 6 5 4 3 2 1 0

P67S	P66S	P65S	P64S	PIDS	YBLCS	MPXS
------	------	------	------	------	-------	------

(Initial value: 0000 0000)

P67S to P64S	P6 port output select	0: R, G, B, Y/BL signal output 1: Port contents output	Write only
PIDS	I pin output select	0: I signal output 1: Port contents output	
YBLCS	Y/BL signal select	0: Y signal output 1: BL signal output	
MPXS	R, G, B, Y/BL signal select	00: Simultaneous output (Signal from the OSD circuit has higher priority.) 01: Output of signal from internal OSD circuit 10: Output of signal from externally input 11: Simultaneous output (Externally input signal has higher priority.)	

ORETC
(00FB8H) 7 6 5 4 3 2 1 0

VDSMD	"0"	BKMF	ESMZ	"0"	MFYWR	MBK	RDWRV
-------	-----	------	------	-----	-------	-----	-------

(Initial value: 0000 0000)

VDSMD	Scan mode select	0: Normal mode 1: Double scan mode	Write only
BKMF	Blinking master	0: Double blinking 1: Enable blinking	
ESMZ	Smoothing enable specification register	0: Disable smoothing 1: Enable smoothing	
MFYWR	Display memory read mode select	0: Normal mode 1: Read-modify-write-mode	
MBK	Display memory bank switching	0: Access to either character code or character display options 1: Access both character code and character display option	
RDWRV	Read/write mode select at normal mode	0: Data write mode for display memory 1: Data read mode for display memory	

Note: Clear "0" to bit 6 and 3 in ORETC.

ORIRC (00FB9H) 7 6 5 4 3 2 1 0
- - - | SDV | ISDC | (Initial value: ***0 0000)

SVD	Interrupt source select	0: Interrupt request by ISDC value 1: Interrupt request at falling edge of \overline{VD} signal	
ISDC	Interrupt generation line select	When the line display of the ISDC value ends (with the falling edge of \overline{HD} signal) while SVD = 0, interrupt request is generated. 0000: Request interrupt when display of low-order 4 bits "0000" of DCTR ends. 0001: Low-order 4 bits "0001" of DCTR 0010: Low-order 4 bits "0010" of DCTR 0011: Low-order 4 bits "0011" of DCTR 0100: Low-order 4 bits "0100" of DCTR 0101: Low-order 4 bits "0101" of DCTR 0110: Low-order 4 bits "0110" of DCTR 0111: Low-order 4 bits "0111" of DCTR 1000: Low-order 4 bits "1000" of DCTR 1001: Low-order 4 bits "1001" of DCTR 1010: Low-order 4 bits "1010" of DCTR 1011: Low-order 4 bits "1011" of DCTR 1100: Low-order 4 bits "1100" of DCTR 1101: Low-order 4 bits "1101" of DCTR 1110: Low-order 4 bits "1110" of DCTR 1111: Low-order 4 bits "1111" of DCTR	Write only

ORIRC (00FB9H) - - - - | DCTR | (Initial value: **** 0000)

DCTR	Display line counter	0000: No line display or when the display of the 16th line ends. 0001: 1st line display ends. 0010: 2nd line display ends. 0011: 3rd line display ends. 0100: 4th line display ends. 0101: 5th line display ends. 0110: 6th line display ends. 0111: 7th line display ends. 1000: 8th line display ends. 1001: 9th line display ends. 1010: 10th line display ends. 1011: 11th line display ends. 1100: 12th line display ends. 1101: 13th line display ends. 1110: 14th line display ends. 1111: 15th line display ends.	Read only
DCTR	Display line counter	0000: No line display or when the display of the 16th line ends. 0001: 1st line display ends. 0010: 2nd line display ends. 0011: 3rd line display ends. 0100: 4th line display ends. 0101: 5th line display ends. 0110: 6th line display ends. 0111: 7th line display ends. 1000: 8th line display ends. 1001: 9th line display ends. 1010: 10th line display ends. 1011: 11th line display ends. 1100: 12th line display ends. 1101: 13th line display ends. 1110: 14th line display ends. 1111: 15th line display ends.	Read only

Note: The display line counter also increments when a line with all blank data or a line with display off is specified.

If display lines are overlapped each other, previous display line is enabled and next line is disabled. At this time, the display line counter also increments.

ORDCSC (00FC4H)	7	6	5	4	3	2	1	0	(Initial value: 0000 0000)
(00FC5H)	DCSC8	DCSC7	DCSC6	DCSC5	DCSC4	DCSC3	DCSC2	DCSC1	
	-	-	-	-	DCSC12	CDSC11	CDSC10	CDSC9	(Initial value: **** 0000)

DCSCn	n: Double-height specification for row n n: 1 to 12	0: Display a medium-size character when medium-size character display is specified. 1: Display a double-height character when medium-size character display is specified.	Write only
-------	--	--	------------

Note: To display double-height characters, write "10" to CSn (n = 1 to 12) in the ORCSm (m = 4, 8, 12) register, specify the medium character size, and write "1" to DCSCn (n = 1 to 12).

ORCPT0 (00FC6H)	7	6	5	4	3	2	1	0	(Initial value: 0000 0000)
	CPT0MD1	Fixed at 0	CPT0R1	CPT0R0	CPT0G1	CPT0G0	CPT0B1	CPT0B0	

ORCPT1 (00FC7H)	7	6	5	4	3	2	1	0	(Initial value: **00 0000)
	-	-	CPT1R1	CPT1R0	CPT1G1	CPT1G0	CPT1B1	CPT1B0	

ORCPT2 (00FC8H)	7	6	5	4	3	2	1	0	(Initial value: **00 0000)
	-	-	CPT2R1	CPT2R0	CPT2G1	CPT2G0	CPT2B1	CPT2B0	

ORCPT3 (00FC9H)	7	6	5	4	3	2	1	0	(Initial value: **00 0000)
	-	-	CPT3R1	CPT3R0	CPT3G1	CPT3G0	CPT3B1	CPT3B0	

ORCPT4 (00FCAH)	7	6	5	4	3	2	1	0	(Initial value: **00 0000)
	-	-	CPT4R1	CPT4R0	CPT4G1	CPT4G0	CPT4B1	CPT4B0	

ORCPT5 (00FCBH)	7	6	5	4	3	2	1	0	(Initial value: **00 0000)
	-	-	CPT5R1	CPT5R0	CPT5G1	CPT5G0	CPT5B1	CPT5B0	

ORCPT6 (00FCH)	7	6	5	4	3	2	1	0	(Initial value: **00 0000)
	-	-	CPT6R1	CPT6R0	CPT6G1	CPT6G0	CPT6B1	CPT6B0	

ORCPT7 (00FCDH)	7	6	5	4	3	2	1	0	(Initial value: **00 0000)
	-	-	CPT7R1	CPT7R0	CPT7G1	CPT7G0	CPT7B1	CPT7B0	

CPT0MD1	27-color mode specification register	0: 8-color mode 1: 27-color mode	Write only
---------	--------------------------------------	-------------------------------------	------------

		CPTOMD1 = 0	CPTOMD1 = 1	Write only
CPTxR0 CPTxR1	R luminance specification register	CRTxR1 = 0, CRTxR0 = 0: No output CRTxR1 = 0, CRTxR0 = 1: Light red CRTxR1 = 1, CRTxR0 = 0: Light red CRTxR1 = 1, CRTxR0 = 1: Light red	CRTxR1 = 0, CRTxR0 = 0: No output CRTxR1 = 0, CRTxR0 = 1: Dark red CRTxR1 = 1, CRTxR0 = 0: Dark red CRTxR1 = 1, CRTxR0 = 1: Light red	
CPTxG0 CPTxG1	G luminance specification register	CRTxG1 = 0, CRTxG0 = 0: No output CRTxG1 = 0, CRTxG0 = 1: Light green CRTxG1 = 1, CRTxG0 = 0: Light green CRTxG1 = 1, CRTxG0 = 1: Light green	CRTxG1 = 0, CRTxG0 = 0: No output CRTxG1 = 0, CRTxG0 = 1: Dark green CRTxG1 = 1, CRTxG0 = 0: Dark green CRTxG1 = 1, CRTxG0 = 1: Light green	
CPTxB0 CPTxB1	B luminance specification register	CRTxB1 = 0, CRTxB0 = 0: No output CRTxB1 = 0, CRTxB0 = 1: Light blue CRTxB1 = 1, CRTxB0 = 0: Light blue CRTxB1 = 1, CRTxB0 = 1: Light blue	CRTxB1 = 0, CRTxB0 = 0: No output CRTxB1 = 0, CRTxB0 = 1: Dark blue CRTxB1 = 1, CRTxB0 = 0: Dark blue CRTxB1 = 1, CRTxB0 = 1: Light blue	

ORSTRG1 (00FCEH)	7	6	5	4	3	2	1	0	(Initial value: **** ***)
	-	-	-	-	-	-	-	PALTRG	

PALRG	PAL100 mode trigger start register	0: PAL trigger stop 1: PAL trigger start	Write only
-------	------------------------------------	---	------------

OSD Control Register List (1/3)

Register Address	Register Name	Register bit configuration								Bit contents	R/W
		Bit 7	Bit 6	Bit 5	Bit 4	Bit 3	Bit 2	Bit 1	Bit 0		
0001D	ORDSN	–	SLNT	EUL	BLF	ECBKD	RDT	GDT	BDT	When ECHDSN = 0 SLNT = 1: Slant enable, 0: Slant disable EUL = 1: Underline display on, 0: Underline display off When ECHDSN = 1 SLNT: Background color red EUL: Background color green BLF = 1: Blinking enable, 0: Blinking disable ECBKD = 1: Character background color display enable, Character background color display disable	R/W
0001E	ORCRA	CRA7	CRA6	CRA5	CRA4	CRA3	CRA2	CRA1	CRA0	CRAx: Character code (x: 0 to 8)	R/W
0001F		–	–	–	–	–	–	–	CRA8		
00024	ORDMA	DMA7	DMA6	DMA5	DMA4	DMA3	DMA2	DMA1	DMA0	DMAx: Display memory address setting (x: 0 to 8)	W
00025		–	–	–	–	–	–	–	DMA8		
00F80	ORDON	–	–	EPAL100	ROMACH	ECHDSN	RGWR	EWDW	DON	EPAL100 = 1: PAL100/NTSC120 select, 0: Other ROMACH: Select font number (mono font/color font) 1: 447 mono font character/64 color font character, 0: 383 mono font character/96 color font character ECHDSN = 1: Bit 6 and 5 in ORDSN is changed to character background color, 0: Bit 6 and 5 in ORDSN is character ornamentation RGWR: Writing data transfer control bit EWDW = 1: Window function enable, 0: Window function disable DON = 1: OSD display ON, 0: OSD display OFF	R/W
00F81	ORHS1	HS17	HS16	HS15	HS14	HS13	HS12	HS11	HS10	HS17 to HS10: Code horizontal display base position setting	W
00F82	ORVS1	VS17	VS16	VS15	VS14	VS13	VS12	VS11	VS10	VS19 to VS10: Code vertical display position setting	W
00F83		–	–	–	–	–	–	VS19	VS18		
00F84	ORVS2	VS27	VS26	VS25	VS24	VS23	VS22	VS21	VS20	VS29 to VS20: Code vertical display position setting	W
00F85		–	–	–	–	–	–	VS29	VS28		
00F86	ORVS3	VS37	VS36	VS35	VS34	VS33	VS32	VS31	VS30	VS39 to VS30: Code vertical display position setting	W
00F87		–	–	–	–	–	–	VS39	VS38		
00F88	ORVS4	VS47	VS46	VS45	VS44	VS43	VS42	VS41	VS40	VS49 to VS40: Code vertical display position setting	W
00F89		–	–	–	–	–	–	VS49	VS48		
00F8A	ORVS5	VS57	VS56	VS55	VS54	VS53	VS52	VS51	VS50	VS59 to VS50: Code vertical display position setting	W
00F8B		–	–	–	–	–	–	VS59	VS58		
00F8C	ORVS6	VS67	VS66	VS65	VS64	VS63	VS62	VS61	VS60	VS69 to VS60: Code vertical display position setting	W
00F8D		–	–	–	–	–	–	VS69	VS68		
00F8E	ORVS7	VS77	VS76	VS75	VS74	VS73	VS72	VS71	VS70	VS79 to VS70: Code vertical display position setting	W
00F8F		–	–	–	–	–	–	VS79	VS78		
00F90	ORVS8	VS87	VS86	VS85	VS84	VS83	VS82	VS81	VS80	VS89 to VS80: Code vertical display position setting	W
00F91		–	–	–	–	–	–	VS89	VS88		
00F92	ORVS9	VS97	VS96	VS95	VS94	VS93	VS92	VS91	VS90	VS99 to VS90: Code vertical display position setting	W
00F93		–	–	–	–	–	–	VS99	VS98		
00F94	ORVS10	VS107	VS106	VS105	VS104	VS103	VS102	VS101	VS100	VS100 to VS109: Code vertical display position setting	W
00F95		–	–	–	–	–	–	VS109	VS108		
00F96	ORVS11	VS117	VS116	VS115	VS114	VS113	VS112	VS111	VS110	VS110 to VS119: Code vertical display position setting	W
00F97		–	–	–	–	–	–	VS119	VS118		
00F98	ORVS12	VS127	VS126	VS125	VS124	VS123	VS122	VS121	VS120	VS120 to VS129: Code vertical display position setting	W
00F99		–	–	–	–	–	–	VS129	VS128		
00F9A	ORCS4	CS4		CS3		CS2		CS1		CSn: Character size (n: 1 to 12) 00: Display off 10: Middle size 01: Large size 11: Small size	W
00F9B	ORCS8	CS8		CS7		CS6		CS5			
00F9C	ORCS12	CS12		CS11		CS10		CS9			
00F9D	OREULA8	EULA8	EULA7	EULA6	EULA5	EULA4	EULA3	EULA2	EULA1	EULAn: Underline display setting for line n (n: 0 to 12)	W
00F9E	OREULA12	–	–	–	–	EULA12	EULA11	EULA10	EULA9		
00F9F	OREFR8	EFR8	EFR7	EFR6	EFR5	EFR4	EFR3	EFR2	EFR1	EFRn: Fringing setting for line n (n: 0 to 12)	W
00FA0	OREFR12	–	–	–	–	EFR12	EFR11	EFR10	EFR9		

OSD Control Register List (2/3)

Register Address	Register Name	Register bit configuration								Bit contents	R/W
		Bit 7	Bit 6	Bit 5	Bit 4	Bit 3	Bit 2	Bit 1	Bit 0		
00FA2	ORSOL4	SOL4		SOL3		SOL2		SOL1		SOLn: Solid space display setting for line n (n: 0 to 12) 00: No solid space 10: Right 01: Left 11: Left and right	W
00FA3	ORSOL8	SOL8		SOL7		SOL6		SOL5			
00FA4	ORSOL12	SOL12		SOL11		SOL10		SOL9			
00FA5	ORBK	–	RBDT	GBDT	BBDT	–	RFDT	GFDT	BFDT	RBDT, GBDT, BBDT: Background color setting	W
00FA6	ORACL	PISEL2	ACL2	ACLG2	ACLB2	PISEL1	ACLR1	ACLG1	ACLB1	ACLR2/ACLG2/ACLB2: Area 2 plane color ACLR1/ACLG1/ACLB1: Area 1 plane color PISEL2: Set half transparency for area 2 plane PISEL1: Set half transparency for area 1 plane	W
00FA7	ORRCL	EBKGD	EXBL	AON2	AON1	–	RCLR	RCLG	RCLB	EBKGD: Background function EXBL: Full-rasterblanking AON2: Area 2 plane display AON1: Area 1 plane display RCLR/RCLG/RCLB: Raster plane color	W
00FA8	ORAH1	AHS17	AHS16	AHS15	AHS14	AHS13	AHS12	AHS11	AHS10	AHS1x: Area 1 plane horizontal start position (x: 0 to 8)	W
00FA9		–	–	–	–	–	–	–	–		
00FAA	ORAHE1	AHE17	AHE16	AHE15	AHE14	AHE13	AHE12	AHE11	AHE10	AHE1x: Area 1 plane horizontal end position (x: 0 to 8)	W
00FAB		–	–	–	–	–	–	–	–		
00FAC	ORAVS1	AVS17	AVS16	AVS15	AVS14	AVS13	AVS12	AVS11	AVS10	AVS1x: Area 1 plane vertical start position (x: 0 to 8)	W
00FAD		–	–	–	–	–	–	–	AVS19		
00FAE	ORAVE1	AVE17	AVE16	AVE15	AVE14	AVE13	AVE12	AVE11	AVE10	AVE1x: Area 1 plane vertical end position (x: 0 to 8)	W
00FAF		–	–	–	–	–	–	–	AVE19		
00FB0	ORAH2	AHS27	AHS26	AHS25	AHS24	AHS23	AHS22	AHS21	AHS20	AHS2x: Area 2 plane horizontal start position (x: 0 to 8)	W
00FB1		–	–	–	–	–	–	–	–		
00FB2	ORAHE2	AHE27	AHE26	AHE25	AHE24	AHE23	AHE22	AHE21	AHE20	AHE2x: Area 2 plane horizontal end position (x: 0 to 8)	W
00FB3		–	–	–	–	–	–	–	–		
00FB4	ORAVS2	AVS27	AVS26	AVS25	AVS24	AVS23	AVS22	AVS21	AVS20	AVS2x: Area 2 plane vertical start position (x: 0 to 8)	W
00FB5		–	–	–	–	–	–	–	AVS29		
00FB6	ORAVE2	AVE27	AVE26	AVE25	AVE24	AVE23	AVE22	AVE21	AVE20	AVE2x: Area 2 plane vertical end position (x: 0 to 8)	W
00FB7		–	–	–	–	–	–	–	AVE29		
00FB8	ORETC	VDSMD	“0”	BKMF	ESMZ	“0”	MFYWR	MBK	RDWRV	VDSMD: Scan mode select BKMF: Blinking master ESMZ: Smoothing MFYWR: Display memory read mode select MBK: Display memory bank switching select RDWRV: Read/write mode select normal mode	W
00FB9	ORIRC	–	–	–	SVD	ISDC			–	SVD: Interrupt source select ISDC: Interrupt generation line select	W
00FB9	ORIRC	–	–	–	–	DCTR			–	DCTR: Display line counter	R
00FBA	ORP6S	P67S	P66S	P65S	P64S	PIDS	YBLCS	MPXS		P6xS: P6 port output select (x:4 to 7) PIDS: I pin output select YBLCS: Y/BL signal select MPXS: R, G, B, Y/BL signal select	W
00FBB	ORIV	VDPOL	HDPOL	YBLII	RGBII	YIV	BLIV	RGBIV	IIV	HDPOL: VD input polarity select HDPOL: HD input polarity select YBLII: Y/BLIN input polarity select RGBII: RIN, GIN, BIN input polarity select YIV: Y Output polarity select BLIV: BL output polarity select RGBIV: R, G, B output polarity select IIV: I pin output polarity select	W
00FBC	ORWVSH	WVSH7	WVSH6	WVSH5	WVSH4	WVSH3	WVSH2	WVSH1	WVSH0	WVSHx: Window upper limit position (x: 0 to 9)	W
00FBD		–	–	–	–	–	–	–	WVSH9		
00FBE	ORWVSL	WVSL7	WVSL6	WVSL5	WVSL4	WVSL3	WVSL2	WVSL1	WVSL0	WVSLx: Window lower limit position (x: 0 to 9)	W
00FBF		–	–	–	–	–	–	–	WVSL9		
00FC2	ORCCD	CCD8	CCD7	CCD6	CCD5	CCD4	CCD3	CCD2	CCD1	CCDx: Horizontal 16 dot and vertical 26 dot display at small size character (x: 0 to 12)	W
00FC3		–	–	–	–	CCD12	CCD11	CCD10	CCD9		
00FC4	ORDCSC	DCSC8	DCSC7	DCSC6	DCSC5	DCSC4	DCSC3	DCSC2	DCSC1	DCSCx: Double height display (x: 0 to 12)	W
00FC5		–	–	–	–	DCSC12	DCSC11	DCSC10	DCSC9		

OSD Control Register List (3/3)

Register Address	Register Name	Register bit configuration								Bit contents	R/W
		Bit 7	Bit 6	Bit 5	Bit 4	Bit 3	Bit 2	Bit 1	Bit 0		
00FC6	ORCPT0	CPT0MD1	"0"	CPT0R1	CPT0R0	CPT0G1	CPT0G0	CPT0B1	CPT0B0	Color palette composition register 0 CPT1MD1: OSD color select register (x: 1, 2) CPT1MD1 = 0: 27-color select mode CPT1MD1 = 1: 8-color select mode	W
00FC7	ORCPT1	–	–	CPT1R1	CPT1R0	CPT1G1	CPT1G0	CPT1B1	CPT1B0	Color palette composition register 1	W
00FC8	ORCPT2	–	–	CPT2R1	CPT2R0	CPT2G1	CPT2G0	CPT2B1	CPT2B0	Color palette composition register 2	W
00FC9	ORCPT3	–	–	CPT3R1	CPT3R0	CPT3G1	CPT3G0	CPT3B1	CPT3B0	Color palette composition register 3	W
00FCA	ORCPT4	–	–	CPT4R1	CPT4R0	CPT4G1	CPT4G0	CPT4B1	CPT4B0	Color palette composition register 4	W
00FCB	ORCPT5	–	–	CPT5R1	CPT5R0	CPT5G1	CPT5G0	CPT5B1	CPT5B0	Color palette composition register 5	W
00FCC	ORCPT6	–	–	CPT6R1	CPT6R0	CPT6G1	CPT6G0	CPT6B1	CPT6B0	Color palette composition register 6	W
00FCD	ORCPT7	–	–	CPT7R1	CPT7R0	CPT7G1	CPT7G0	CPT7B1	CPT7B0	Color palette composition register 7	W
00FCE	ORSTRG	–	–	–	–	–	–	–	PALTRG	PAL100/NTSC120 start trigger	W

Note 1: Except the meshed registers are changed by RGWR.

Note 2: Only lower 2 bits of the register in address 00F80H are changed by RGWR (The register in address 00F80H must not be used with any of the read-modify-write instructions as SET, CLR, etc.).

Note 3: Do not specify fringing for small-size character.

2.15 Jitter Elimination Circuit

The TMP88CS34/CP34 has a built-in jitter elimination circuit which maintains the vertical stability of the OSD even when input of the vertical signal fluctuates.

And the field decision information for the OSD circuit is detected by using jitter elimination circuit.

2.15.1 Configuration

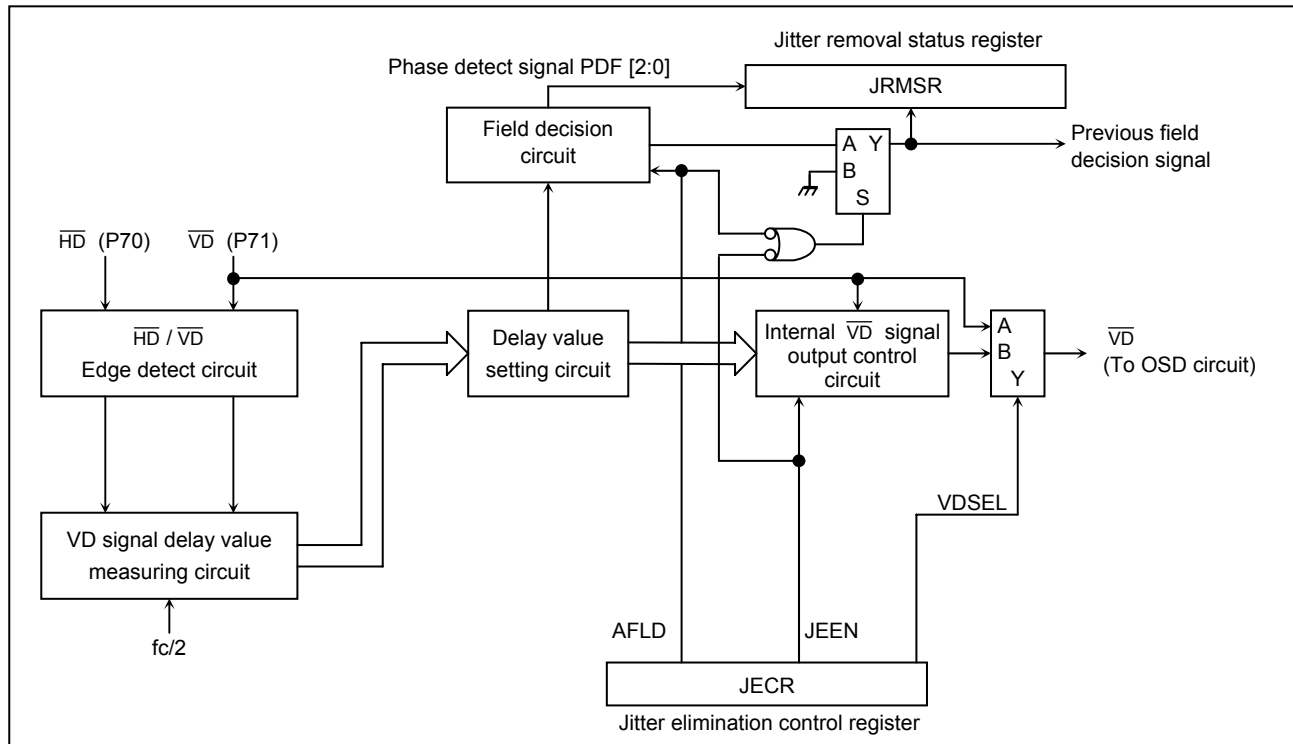


Figure 2.15.1 Jitter Elimination Circuit

2.15.2 Control

Jitter elimination circuit is controlled by the jitter elimination control register (JECR).

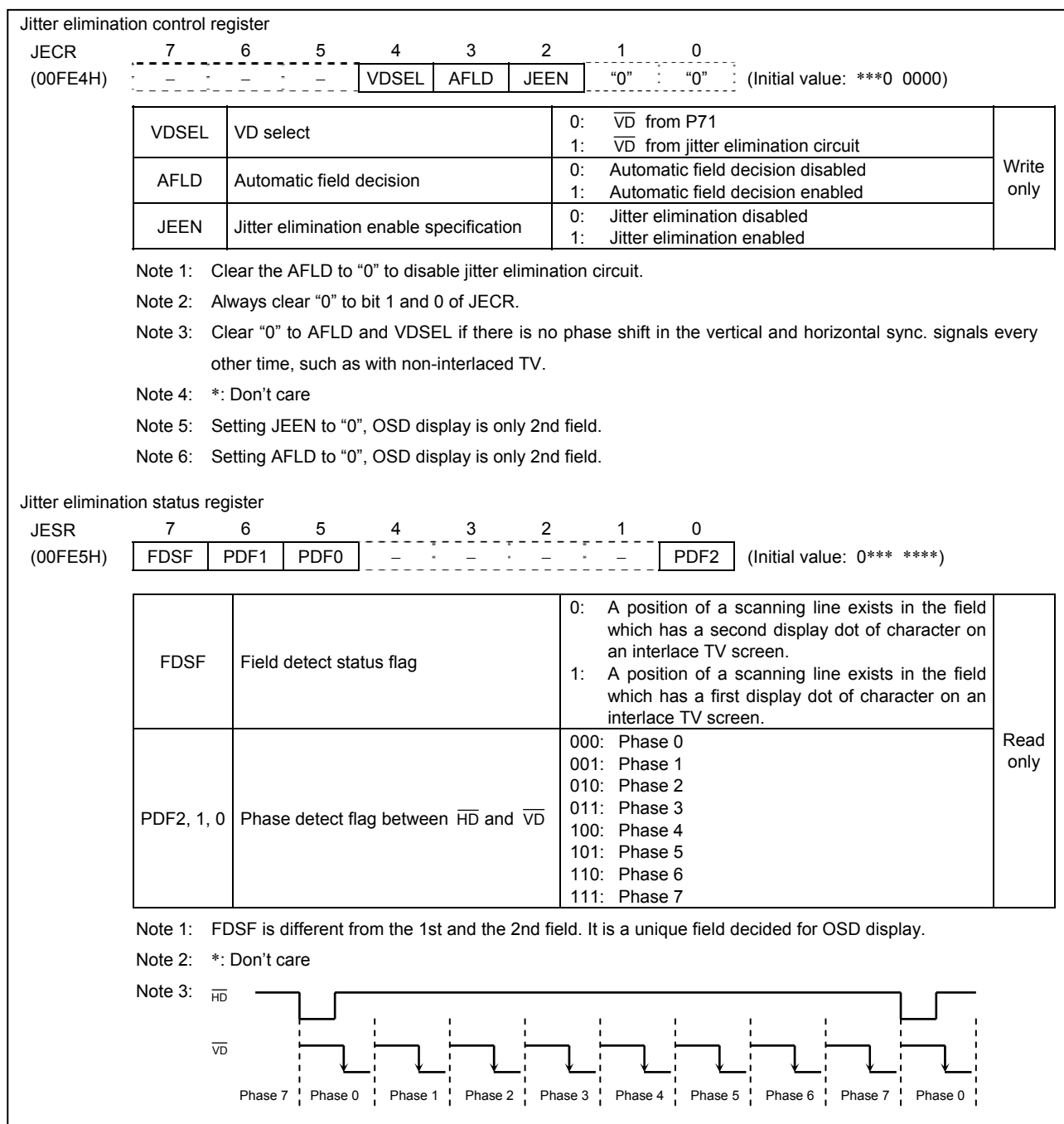


Figure 2.15.2 Jitter Elimination Control Register and Jitter Elimination Status Register

2.15.3 Jitter Elimination Mode

The jitter elimination circuit is to identify the phase of the falling edges of the external \overline{VD} signal and \overline{HD} signal. When \overline{VD} signal is falling within \overline{HD} signal falling $\pm 1/4HD$, the jitter is automatically eliminated and internal \overline{VD} signal is set to the stable location.

This function is enabled by setting JEEN (bit2 in JECR) in the jitter elimination control register to "1".

2.15.4 Auto Field Line Decision

The internal vertical and horizontal sync. signals corrected by the jitter elimination circuit generate the field line decision signals used in the OSD.

The OSD display in normal mode

- Type A) When the OSD circuit is used on the TV system which has a phase shift in the vertical and horizontal sync. Signals every other field such as the interlace TV, enable jitter elimination circuit and set "1" to AFLD and VDSEL. At this time, the field lines which have first and second display dot of character are displayed.
- Type B) When the OSD circuit is used on the TV system which has no phase shift in the vertical and horizontal sync. Signals every other field such as the non-interlace TV, enable jitter elimination circuit and clear "0" to AFLD and VDSEL. At this time, the field line which has a second display dot of character is only displayed.

The OSD display in double scan mode

- Type C) Disable jitter elimination circuit and clear "0" to AFLD and VDSEL. At this time, the field lines which have first and second display dot of character are displayed.

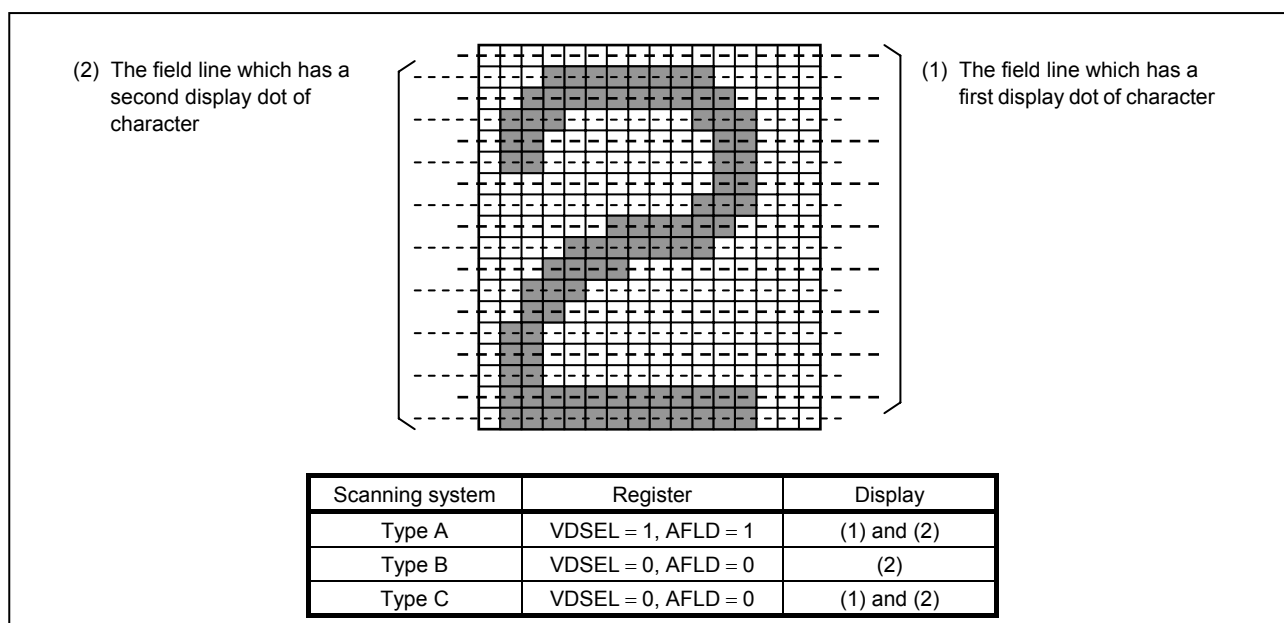


Figure 2.15.3 Relation with Field Line and VDSEL, AFLD

Input/Output Circuit

(1) Control pins

The input/output circuitries of the TMP88CS34/CP34 control pins are shown below.

Control Pin	I/O	Input/Output Circuitry	Remarks
XIN XOUT	I/O		Resonator connecting pins (high-frequency) $R_f = 1.2 \text{ M}\Omega$ (typ.) $R_O = 0.5 \text{ k}\Omega$ (typ.)
$\overline{\text{RESET}}$	I/O		Sink open drain output Hysteresis input Pull-up register $R_{IN} = 220 \text{ M}\Omega$ (typ.) $R = 1 \text{ k}\Omega$ (typ.)
$\overline{\text{STOP}} / \overline{\text{INT5}}$ (P20)	Input		Hysteresis input $R = 1 \text{ k}\Omega$ (typ.)
TEST	Input		Pull-down register $R_{IN} = 70 \text{ k}\Omega$ (typ.) $R = 1 \text{ k}\Omega$ (typ.)
OSC1 OSC2	I/O		Pin for connecting a resonator for on-screen display $R_f = 1.2 \text{ M}\Omega$ (typ.) $R_O = 0.5 \text{ k}\Omega$ (typ.)

(2) Input/Output ports

Port	I/O	Input/Output Circuitry	Remarks
P20	I/O	<p>Initial "High-Z"</p>	<p>Sink open drain output Hysteresis input</p> <p>$R = 1\text{ k}\Omega$ (typ.)</p>
P30 to P33, P50, P57, P70, P71	I/O	<p>Initial "High-Z"</p>	<p>Tri-state I/O Hysteresis input</p> <p>$R = 1\text{ k}\Omega$ (typ.)</p>
P34, P35, P51, P52	I/O	<p>Open drain output enable</p> <p>Initial "High-Z"</p>	<p>Tri-state I/O or Open drain output programmable Hysteresis input</p> <p>$R = 1\text{ k}\Omega$ (typ.)</p>
P40 to P47	I/O	<p>Initial "High-Z"</p>	<p>Tri-state I/O</p> <p>$R = 1\text{ k}\Omega$ (typ.)</p>
P53 to P56	I/O	<p>Initial "High-Z"</p>	<p>Tri-state I/O Hysteresis input Key-on wake-up input ($V_{IL4} = 0.65 \times V_{DD}$)</p> <p>$R = 1\text{ k}\Omega$ (typ.) $R_A = 5\text{ k}\Omega$ (typ.) $C_A = 22\text{ pF}$ (typ.)</p>

Port	I/O	Input/Output Circuitry	Remarks
P60	I/O		Sink open drain input/output High-current output $I_{OL} = 20 \text{ mA (typ.)}$ $R = 1 \text{ k}\Omega \text{ (typ.)}$ $R_A = 5 \text{ k}\Omega \text{ (typ.)}$ $C_A = 22 \text{ pF (typ.)}$ Key-on wake-up input $(V_{IL4} = 0.65 \times V_{DD})$
P61	I/O		Tri-state input/output $R = 1 \text{ k}\Omega \text{ (typ.)}$ $R_A = 5 \text{ k}\Omega \text{ (typ.)}$ $C_A = 22 \text{ pF (typ.)}$ Key-on wake-up input $(V_{IL4} = 0.65 \times V_{DD})$
P62 to P67	I/O		Tri-state input/output $R = 1 \text{ k}\Omega \text{ (typ.)}$

Electrical Characteristics

Absolute maximum ratings

(V_{SS} = 0 V)

Parameter	Symbol	Pins	Ratings	Unit
Supply Voltage	V _{DD}	–	–0.3 to 6.5	V
Input Voltage	V _{IN}	–	–0.3 to V _{DD} + 0.3	
Output Voltage	V _{OUT1}	–	–0.3 to V _{DD} + 0.3	
Output Current (Per 1 pin)	I _{OUT1}	Ports P2, P3, P4, P5, P61 to P67, P7	3.2	mA
	I _{OUT2}	Ports P60	30	
Output Current (Total)	∑ I _{OUT1}	Ports P2, P3, P4, P5, P64 to P67, P7	30	
	∑ I _{OUT2}	Ports P60	30	
Power Dissipation [Topr = 70 °C]	PD	–	400	mW
Soldering Temperature (time)	T _{sld}	–	260 (10 s)	°C
Storage Temperature	T _{stg}	–	–55 to 125	
Operating Temperature	Topr	–	–30 to 70	

Note: The absolute maximum ratings are rated values which must not be exceeded during operation, even for an instant. Any one of the ratings must not be exceeded. If any absolute maximum rating is exceeded, a device may break down or its performance may be degraded, causing it to catch fire or explode resulting in injury to the user. Thus, when designing products which include this device, ensure that no absolute maximum rating value will ever be exceeded.

Recommended operating conditions

(V_{SS} = 0 V, Topr = –30 to 70 °C)

Parameter	Symbol	Pins	Conditions	Min	Max	Unit	
Supply Voltage	V _{DD}		fc = 16 MHz NORMAL mode	4.5	5.5	V	
			fc = 16 MHz IDLE mode				
			STOP mode				
Input High Voltage	V _{IH1}	Except hysteresis input	V _{DD} = 4.5 to 5.5V	V _{DD} × 0.70	V _{DD}		
	V _{IH2}	Hysteresis input		V _{DD} × 0.75			
	V _{IH3}	Key-on Wake-up input		V _{DD} × 0.90			
Input Low Voltage	V _{IL1}	Except hysteresis input	V _{DD} = 4.5 to 5.5V	0	V _{DD} × 0.30		
	V _{IL2}	Hysteresis input			V _{DD} × 0.25		
	V _{IL3}	Key-on Wake-up input			V _{DD} × 0.65		
Clock Frequency	fc	XIN, XOUT	V _{DD} = 4.5 to 5.5V	8.0	16.0	MHz	
	f _{OSC}	Internal clock	V _{DD} = 4.5 to 5.5V	fc = 8 MHz	8.0		12.0
				fc = 16 MHz	16.0		24.0

Note 1: The recommended operating conditions for a device are operating conditions under which it can be guaranteed that the device will operate as specified. If the device is used under operating conditions other than the recommended operating conditions (supply voltage, operating temperature range, specified AC/DC values etc.), malfunction may occur. Thus, when designing products which include this device, ensure that the recommended operating conditions for the device are always adhered to.

Note 2: Clock frequency fc: Supply voltage range is specified in NORMAL mode and IDLE mode.

Note 3: Smaller value is alternatively specified as the maximum value.

DC Characteristics

(V_{SS} = 0 V, Topr = -30 to 70 °C)

Parameter	Symbol	Pins	Conditions	Min	Typ.	Max	Unit
Hysteresis voltage	V _{HS}	Hysteresis inputs		–	0.9	–	V
Input current	I _{IN1}	TEST	V _{DD} = 5.5 V, V _{IN} = 5.5 V/0 V	–	–	± 2	μA
	I _{IN2}	Open drain ports	V _{DD} = 5.5 V, V _{IN} = 5.5 V/0 V	–	–	± 2	
	I _{IN3}	Tri-state ports	V _{DD} = 5.5 V, V _{IN} = 5.5 V/0 V	–	–	± 2	
	I _{IN4}	RESET, STOP	V _{DD} = 5.5 V, V _{IN} = 5.5 V/0 V	–	–	± 2	
Input resistance	R _{IN2}	RESET	V _{DD} = 5.5 V, V _{IN} = 0 V	100	220	450	kΩ
Output leakage current	I _{LO1}	Sink open drain ports	V _{DD} = 5.5 V, V _{OUT} = 5.5 V	–	–	2	μA
	I _{LO2}	Tri-state ports	V _{DD} = 5.5 V, V _{OUT} = 5.5 V/0 V	–	–	± 2	
Output high voltage	V _{OH2}	Tri-state ports	V _{DD} = 4.5 V, I _{OH} = -0.7 mA	4.1	–	–	V
Output low voltage	V _{OL}	Except XOUT and ports P60	V _{DD} = 4.5 V, I _{OL} = 1.6 mA	–	–	0.4	
Output low current	I _{OL3}	Port P60	V _{DD} = 4.5 V, I _{OL} = 1.0 V	–	20	–	mA
Supply current in NORMAL mode	I _{DD}	–	V _{DD} = 5.5 V f _c = 16 MHz V _{IN} = 5.3 V/0.2 V (Note3)	–	25	30	
Supply current in IDLE mode				–	20	25	
Supply current in STOP mode			V _{DD} = 5.5 V V _{IN} = 5.3 V/0.2 V	–	0.5	10	

Note 1: Typical values show those at Topr = 25 °C, V_{DD} = 5 V.

Note 2: Input Current I_{IN3}; The current through resistor is not included.

Note 3: Supply Current I_{DD}; The current (Typ. 0.5 mA) through ladder resistors of ADC is included in NORMAL mode and IDLE mode.

AD Conversion Characteristics

(V_{SS} = 0 V, V_{DD} = 4.5 V to 5.5 V, Topr = -30 to 70 °C)

Parameter	Symbol	Conditions	Min	Typ.	Max	Unit
Analog reference voltage	V _{AREF}	supplied from V _{DD} pin.	–	V _{DD}	–	V
	V _{ASS}	supplied from V _{SS} pin.	–	0	–	
Analog reference voltage range	ΔV _{AREF}	= V _{DD} - V _{SS}	–	V _{DD}	–	
Analog input voltage	V _{AIN}		V _{SS}	–	V _{DD}	LSB
Nonlinearity error		V _{DD} = 5.0 V	–	–	±1	
Zero point error			–	–	±2	
Full scale error			–	–	±2	
Total error			–	–	±3	

Note: The total error means all error except quanting error.

AC characteristics

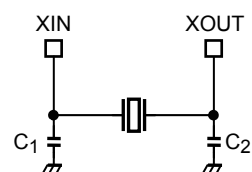
 $(V_{SS} = 0\text{ V}, V_{DD} = 4.5\text{ V to } 5.5\text{ V}, T_{opr} = -30\text{ to } 70\text{ }^{\circ}\text{C})$

Parameter	Symbol	Conditions	Min	Typ.	Max	Unit
Machine cycle time	t_{cy}	In NORMAL mode	0.5	-	1.0	μs
		In IDLE mode				
High level clock pulse width	t_{WCH}	For external clock operation (XIN input), $f_c = 16\text{ MHz}$	31.25	-	-	ns
Low level clock pulse width	t_{WCL}					

Recommended oscillating conditions

 $(V_{SS} = 0\text{ V}, V_{DD} = 4.5\text{ V to } 5.5\text{ V}, T_{opr} = -30\text{ to } 70\text{ }^{\circ}\text{C})$

Parameter	Oscillator	Oscillation Frequency	Recommended Oscillator	Recommended Constant	
				C ₁	C ₂
High-frequency oscillation	Ceramic resonator	8 MHz	Murata CSA 8.00MTZ	30 pF	30 pF
		16 MHz	Murata CSA 16.00MXZ040	5 pF	5 pF



High-frequency Oscillation

Note 1: To keep reliable operation, shield the device electrically with the metal plate on its package mold surface against the high electric field, for example, by CRT (Cathode Ray Tube).

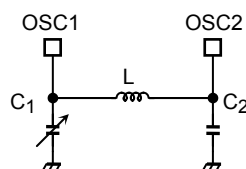
Note 2: The product numbers and specifications of the resonators by Murata Manufacturing Co., Ltd. are subject to change. For up-to-date information, please refer to the following URL;

<http://www.murata.co.jp/search/index.html>

Recommended oscillating conditions

(V_{SS} = 0 V, V_{DD} = 4.5 V to 5.5 V, Topr = -30 to 70 °C)

Item	Resonator	Oscillation Frequency	Recommended parameter value		
			L (μH)	C ₁ (pF)	C ₂ (pF)
Oscillation for OSD	LC resonator	8 MHz	33	5 to 30	10
		12 MHz	15	5 to 30	10
		16 MHz	10	5 to 30	10
		20 MHz	6.8	5 to 25	10
		24 MHz	4.7	5 to 25	10



Oscillation for OSD

The frequency generated in LC oscillation can be obtained using the following equations.

$$f = \frac{1}{2\pi\sqrt{LC}}, C = \frac{C_1 \cdot C_2}{C_1 + C_2}$$

C₁ is not fixed at a constant value. It can be changed to tune into the desired frequency.

Note 1: Toshiba's OSD circuit determines a horizontal display start position by counting clock pulses generated in LC oscillation. For this reason, the OSD circuit may fail to detect clock pulses normally, resulting in the horizontal start position becoming unstable, at the beginning of oscillation, if the oscillation amplitude is low.

Changing L and C₂ from the values recommended for a specific frequency may hamper a stable OSD display.

If the LC oscillation frequency is the same as a high-frequency clock value, the oscillation of the high-frequency oscillator may cause the LC oscillation frequency to fluctuate, thus making OSD displays flicker.

When determining these parameters, please check the oscillation frequency and the stability of oscillation on your TV sets.

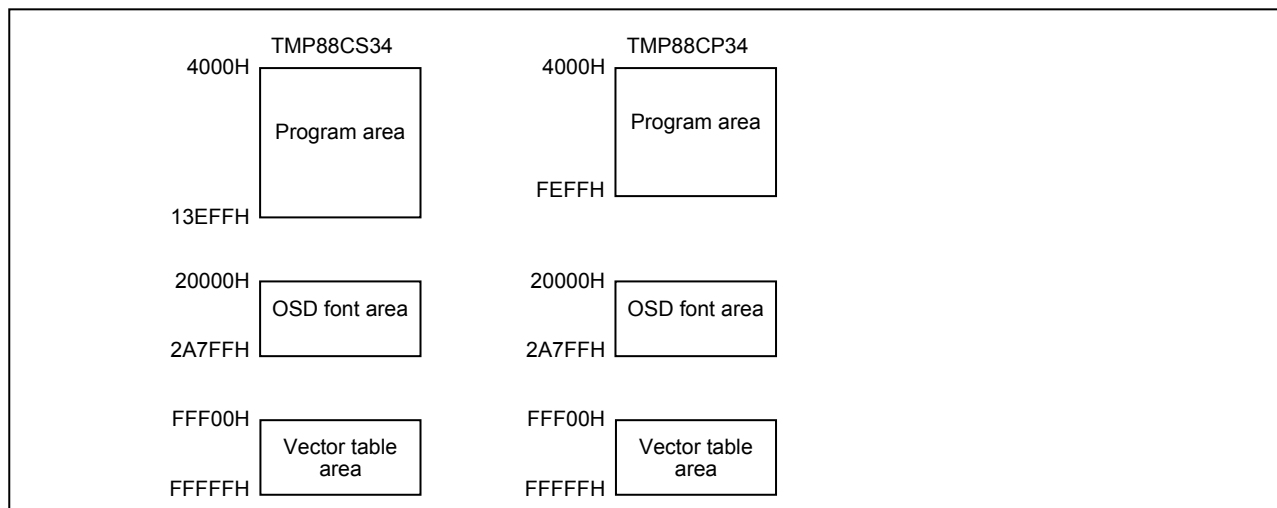
Also check the determined parameters on your final products, because the optimum parameter values may vary from one product to another.

Note 2: When using the LSI package in a strong electric field, such as near a CRT, electrically shield the package so that its normal operation can be maintained.

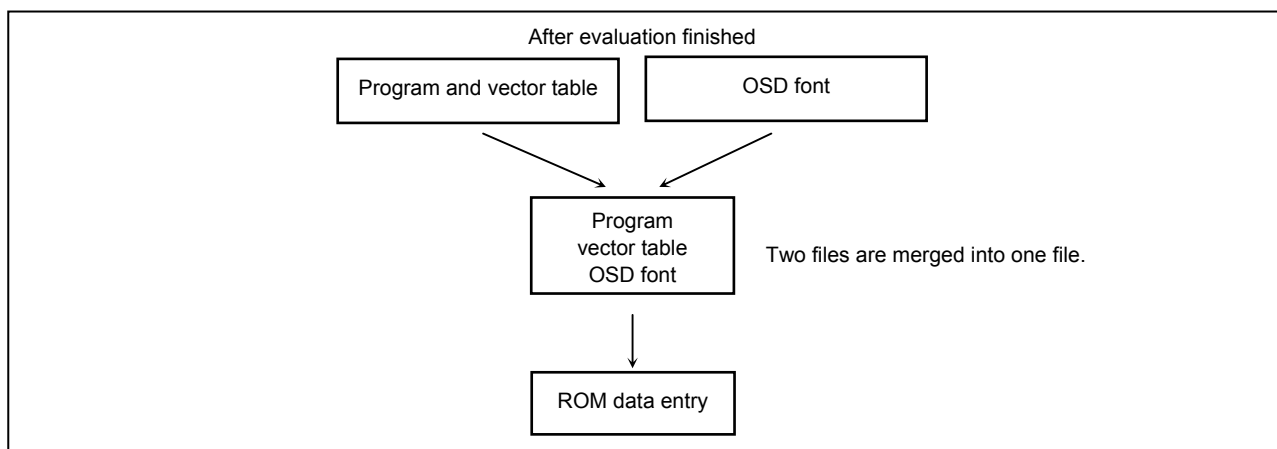
Notice of ROM Entry

When you make a ROM data entry for TMP88CS34/CP34,
Please transfer one file including program area, vector table area and OSD font area.

The ROM area must be transferred is as follows.



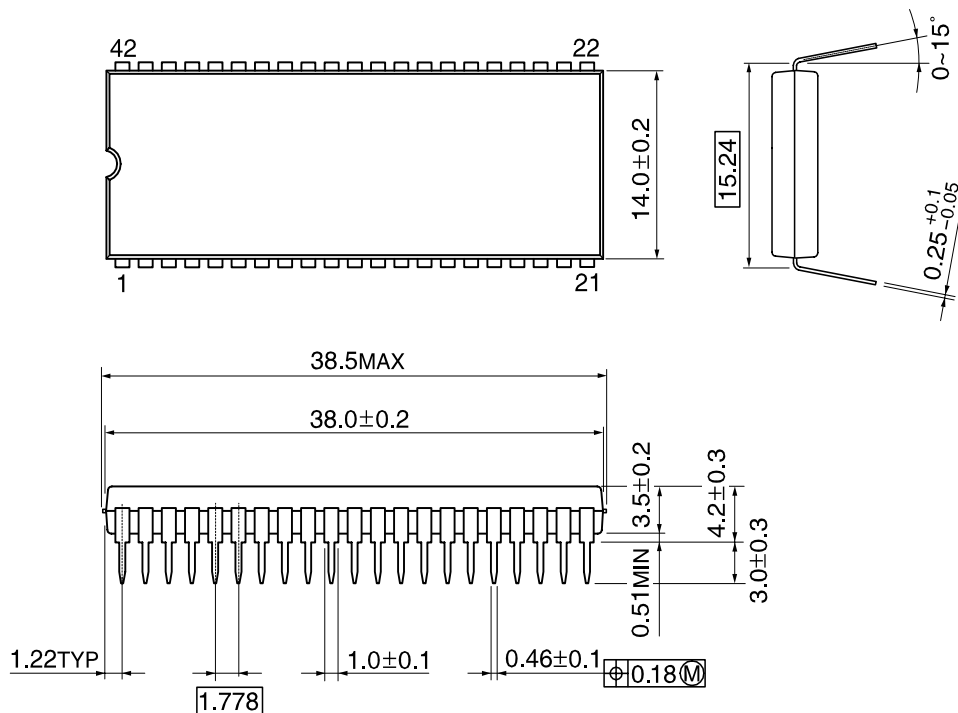
Flow of ROM data entry



Package

P-SDIP42-600-1.78

Unit: mm



P-QFP44-1414-0.80D

Unit: mm

