

16bit Micro controller  
TLCS-900/L1 series

**TMP91C820AF**

## ----- Contents -----

**TLCS-900/L1 LSI DEVICES**  
**TMP91C820AF**

<b>1.</b>	<b>Outline and Device Characteristics</b>	<b>91C820A-1</b>
<b>2.</b>	<b>Pin Assignment and Pin Functions</b>	<b>91C820A-4</b>
<b>2.1</b>	<b>Pin Assignment Diagram</b>	<b>91C820A-4</b>
<b>2.2</b>	<b>Pin Name and Functions</b>	<b>91C820A-6</b>
<b>3.</b>	<b>Operation</b>	<b>91C820A-10</b>
<b>3.1</b>	<b>CPU</b>	<b>91C820A-10</b>
<b>3.1.1</b>	<b>Reset</b>	<b>91C820A-10</b>
<b>3.2</b>	<b>Memory Map</b>	<b>91C820A-12</b>
<b>3.3</b>	<b>Triple Clock, Stand-by Function</b>	<b>91C820A-13</b>
<b>3.4</b>	<b>Interrupts</b>	<b>91C820A-37</b>
<b>3.5</b>	<b>Functions of Ports</b>	<b>91C820A-52</b>
<b>3.5.1</b>	<b>Port 0</b>	<b>91C820A-57</b>
<b>3.5.2</b>	<b>Port 1</b>	<b>91C820A-58</b>
<b>3.5.3</b>	<b>Port 2</b>	<b>91C820A-60</b>
<b>3.5.4</b>	<b>Port 3</b>	<b>91C820A-62</b>
<b>3.5.5</b>	<b>Port 4</b>	<b>91C820A-64</b>
<b>3.5.6</b>	<b>Port Z</b>	<b>91C820A-66</b>
<b>3.5.7</b>	<b>Port 5</b>	<b>91C820A-70</b>
<b>3.5.8</b>	<b>Port 6</b>	<b>91C820A-72</b>
<b>3.5.9</b>	<b>Port 7</b>	<b>91C820A-73</b>
<b>3.5.10</b>	<b>Port 8</b>	<b>91C820A-79</b>
<b>3.5.11</b>	<b>Port 9</b>	<b>91C820A-80</b>
<b>3.5.12</b>	<b>Port A</b>	<b>91C820A-81</b>
<b>3.5.13</b>	<b>Port B</b>	<b>91C820A-82</b>
<b>3.5.14</b>	<b>Port C</b>	<b>91C820A-86</b>
<b>3.5.15</b>	<b>Port D</b>	<b>91C820A-89</b>
<b>3.5.16</b>	<b>Port E</b>	<b>91C820A-91</b>
<b>3.5.17</b>	<b>Port F</b>	<b>91C820A-92</b>
<b>3.6</b>	<b>Chip Select/Wait Controller</b>	<b>91C820A-93</b>
<b>3.7</b>	<b>8-bit Timers (TMRA)</b>	<b>91C820A-103</b>
<b>3.8</b>	<b>MMU</b>	<b>91C820A-124</b>
<b>3.9</b>	<b>Serial Channel</b>	<b>91C820A-135</b>
<b>3.10</b>	<b>Serial Bus Interface</b>	<b>91C820A-171</b>
<b>3.11</b>	<b>Analog/Digital Converter</b>	<b>91C820A-199</b>
<b>3.12</b>	<b>Watch Dog Timer</b>	<b>91C820A-209</b>
<b>3.13</b>	<b>RTC</b>	<b>91C820A-214</b>
<b>3.14</b>	<b>LCD Controller</b>	<b>91C820A-228</b>
<b>3.15</b>	<b>Melody/Alarm Generator</b>	<b>91C820A-266</b>
<b>3.16</b>	<b>SDRAM Controller</b>	<b>91C820A-272</b>
<b>3.17</b>	<b>16-bit Timers (TMRB)</b>	<b>91C820A-282</b>
<b>3.18</b>	<b>Hardware Stand-by Function</b>	<b>91C820A-291</b>
<b>4.</b>	<b>Electrical Characteristics</b>	<b>91C820A-292</b>
<b>5.</b>	<b>Table of SFR</b>	<b>91C820A-310</b>
<b>6.</b>	<b>Points to Note and Restrictions</b>	<b>91C820A-346</b>
<b>7.</b>	<b>Package PKG-1</b>	<b>91C820A-348</b>

Data Book modification history

Rev./Date	page	Modification item	Reason
Rev110/15-Mar-2001	16	Sample of DFM setting	
	508	Bank Operation S/W Example in MMU	
	717	Stop condition generation in SBI	
	718	Timing diagram for TMP91C820 Restar in SBI	
Rev1.3/03-July-2001	704	SBI: Flocked>Clocked	Spell Mistake
	705	SBI: Receiver>Transmitter, Busy>Receiver	Word Mistake
	721	SBI: Always Write "0" Add	Mistake
	420	SFR: generater-->generator	Spell mistake
	725	SBI : (p6)=>(p7)	
	132	SIO: fixed in the Figure	
	135	SIO:SC0MOD0=>SC1MOD0 in the figure	
	136	SIO: 1 => 2 and remove partially in the figure	
	156	SIO: SC1BUF>SC2BUF	
	17	CLK:<DRVOSCL>fc-->fs& bit 3 & add comment	mistake
	259,260	MLD : Special mode &selector added	
	145	SIO: fixed except bit 9 in the table	Mistake
	tytle	"Chapter4"remove &"..."remove	
	500	NOTE:TEST >TSET in the program	
	Rev2.0/07-August-2001	14,17 24,25	DFM: modify and add
262		MLD : "special mode" modify	
13,16, 23,24		DFM: modify and add	
17		CLK:EMCCR3 BIT0:2 modify the explanation	
320		SFR : EMCCR3 BIT0:2 modify the explanation	
127		MMU:add the figure	
25,26		CLK: P24:XT2->X2 P25:X1->XT1 in the figure	
172		SBI: bit6 modify	
184		SBI:modify the figure	
178		SBI : add the explanation	
Rev2.1/15-August-2001	LCDC	Add the explanation	
Rev2.2/21-August-2001	5	Add PAD layout	
Rev2.3/21-August-2001	14	CPU : modify	
Rev2.4/07-September-2001	248	LCDC: modify the equation in the middle TA3OUT , "t_LP"→"tLP"	
	242	LCDC: add the explanation	
	306	SIO Electrical characteristic misstake	
	259	LCDC: add the NOTE	
	307	Oscilation circuit add (inset 2 pages)	
Rev2.5/31-October-2001	276,280	SDRAMC : modify and add the figure (insert 1 page)	
	297,299,303	SPEC : SDRAMC SPEC modify and add	
	309	SPWC : Tc modify	
	16	CLK : (SYSCR2) modify	
	229,234,244	LCDC: add and modify the explanation	
	247,251	LCDC : modify the explanation	
252---255	LCDC : modify the value( insert 1 page)		

	248	LCDC : TA3OUT equation modify	
	294,296	SPEC : t <sub>DW</sub> ,t <sub>WW</sub> modify	

Note : Each page number corresponds to each revision when modified.

## CMOS 16-Bit Microcontrollers TMP91C820AF

### 1. OUTLINE AND FEATURES

TMP91C820AF is a high-speed 16-bit microcontroller designed for the control of various mid- to large-scale equipment.

TMP91C820AF comes in a 144-pin flat package.

Listed below are the features.

- (1) High-speed 16-bit CPU (900/L1 CPU)
  - Instruction mnemonics are upward-compatible with TLCS-90/900
  - 16 Mbytes of linear address space
  - General-purpose registers and register banks
  - 16-bit multiplication and division instructions; bit transfer and arithmetic instructions
  - Micro DMA: Four-channels (1.0  $\mu$ s/2 bytes at 16 MHz)
- (2) Minimum instruction execution time: 111ns (at 36 MHz)
- (3) Built-in RAM: 8 Kbytes  
Built-in ROM: 8 Kbytes
- (4) External memory expansion
  - Expandable up to 136M bytes (shared program/data area)
  - Can simultaneously support 8-/16-bit width external data bus  
... Dynamic data bus syzing
  - Separate bus system
- (5) 8-bit timers: 4 channels
- (6) 16-bit timer/event counter : 1 channel
- (7) General-purpose serial interface: 3 channels
  - UART/Synchronous mode
  - IrDA
- (8) Serial bus interface: 1 channel
  - I<sup>2</sup>C bus mode/clock synchronous select mode

980508TBA1

- For a discussion of how the reliability of microcontrollers can be predicted, please refer to Section 1.3 of the chapter entitled Quality and Reliability Assurance / Handling Precautions.
- TOSHIBA is continually working to improve the quality and the reliability of its products. Nevertheless, semiconductor devices in general can malfunction or fail due to their inherent electrical sensitivity and vulnerability to physical stress. It is the responsibility of the buyer, when utilizing TOSHIBA products, to observe standards of safety, and to avoid situations in which a malfunction or failure of a TOSHIBA product could cause loss of human life, bodily injury or damage to property. In developing your designs, please ensure that TOSHIBA products are used within specified operating ranges as set forth in the most recent products specifications. Also, please keep in mind the precautions and conditions set forth in the TOSHIBA Semiconductor Reliability Handbook.
- The products described in this document are subject to foreign exchange and foreign trade laws.
- The information contained herein is presented only as a guide for the applications of our products. No responsibility is assumed by TOSHIBA CORPORATION for any infringements of intellectual property or other rights of the third parties which may result from its use. No license is granted by implication or otherwise under any intellectual property or other rights of TOSHIBA CORPORATION or others.
- The information contained herein is subject to change without notice.



Purchase of TOSHIBA I<sup>2</sup>C components conveys a license under the Philips I<sup>2</sup>C Patent Rights to use these components in an I<sup>2</sup>C system, provided that the system conforms to the I<sup>2</sup>C Standard Specification as defined by Philips.

- (9) LCD controller
  - Shift register/built-in RAM LCD driver
  - Supported 16,8 and 4 Gray-levels and Black and White
  - Hardware Blinking Cursor
- (10) SDRAM Controller
  - Supported 16M,64M and 128Mbit-SDRAM with 16bit Data-bus
- (11) Timer for real-time clock (RTC)
  - Based on TC8521A
- (12) Key-on wake up (Interrupt key input)
- (13) 10-bit A/D converter: 8 channels
- (14) Watch dog timer
- (15) Melody/alarm generator
  - Melody: Output of clock 4 to 5461Hz
  - Alarm: Output of the 8 kinds of alarm pattern
  - Output of the 5 kinds of interval interrupt
- (16) Chip select/Wait controller: 4 channels
- (17) MMU
  - Expandable up to 136M bytes (4 local area/8bank method)
- (18) Interrupts: 43 interrupts
  - 9 CPU interrupts: Software interrupt instruction and illegal instruction
  - 28 internal interrupts: Seven selectable priority levels
  - 6 external interrupts: Seven selectable priority levels(4-edge selectable)
- (19) Input/output ports: 77 pins ( at External 16-bit data bus memory)
- (20) Stand-by function
  - Three Halt modes: Idle2 (programmable), Idle1, Stop
- (21) Triple-clock controller
  - Clock doubler (DFM)
  - Clock gear function: Select a High-frequency clock  $f_c$  to  $f_c/16$
  - RTC ( $f_s=32.768\text{kHz}$ )
- (22) Operating voltage
  - VCC = 2.7 V to 3.6 V ( $f_c$  max = 27 MHz)
  - VCC = 3.0 V to 3.6 V ( $f_c$  max = 36 MHz)
- (23) Package
  - 144-pin QFP: LQFP144 - P -1616 - 0.40
  - 144-pad Dice form

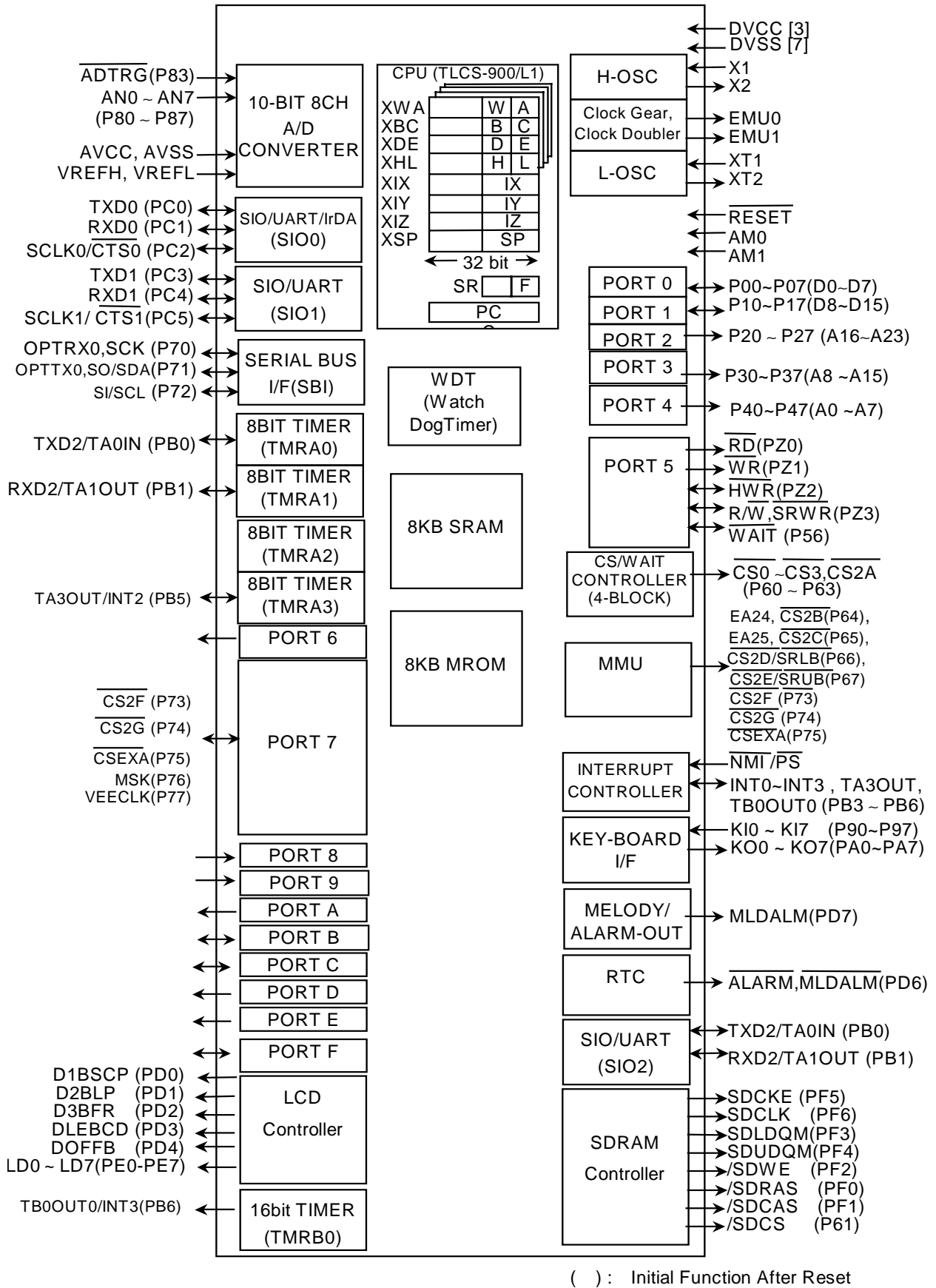


Figure 1.1 TMP91C820A Block Diagram

## 2. PIN ASSIGNMENT AND PIN FUNCTIONS

The assignment of input/output pins for the TMP91C820AF, their names and functions are as follows:

### 2.1 Pin Assignment Diagram

Figure 2.1 shows the pin assignment of the TMP91C820AF.

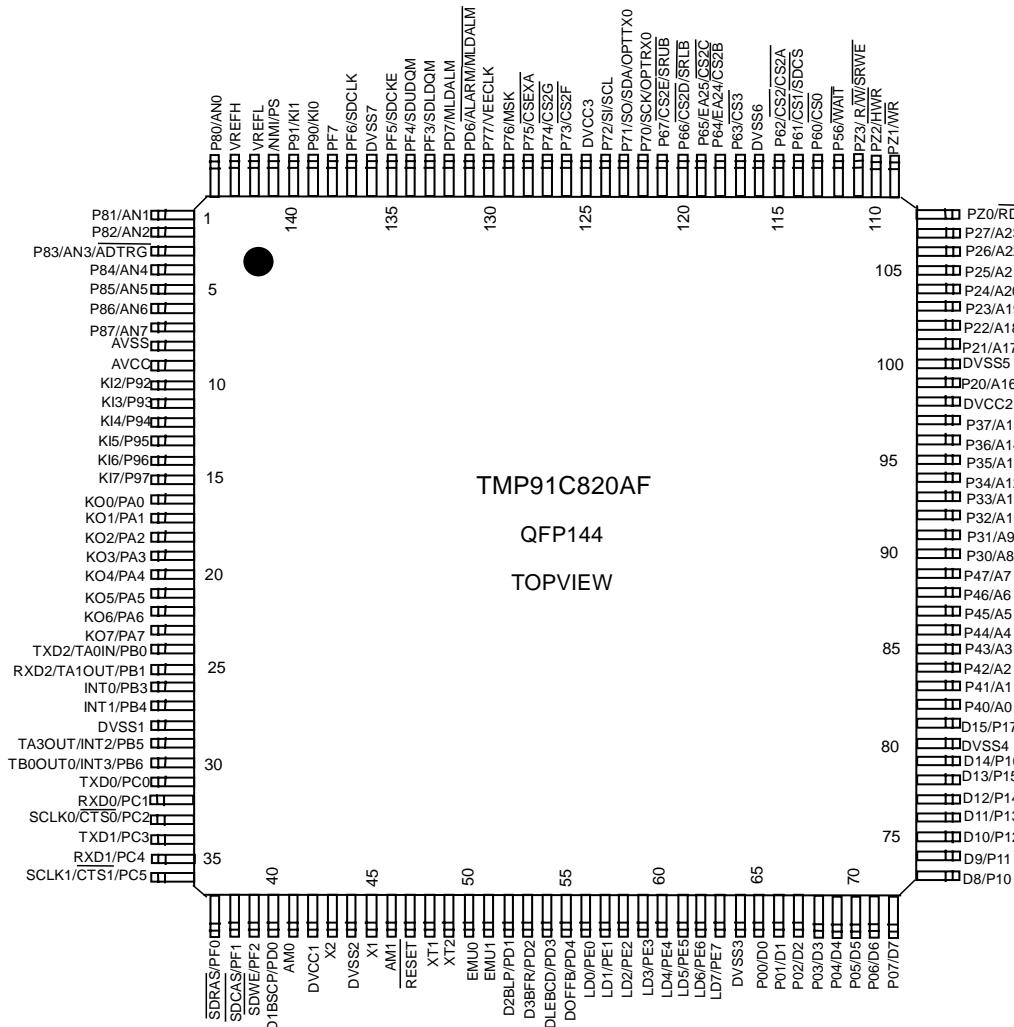


Figure 2.1 Pin assignment diagram (144-pin QFP)



## PAD layout

(Chip size 5.75mm × 5.63mm)

Unit: μm

PIN No	Name	X point	Y point	PIN No	Name	X point	Y point	PIN No	Name	X point	Y point
1	P81	-2742	2128	49	PC7	-485	-2682	97	P37	2736	758
2	P82	-2742	2004	50	EMU0	-370	-2682	98	VDD	2736	872
3	P83	-2742	1888	51	EMU1	-256	-2682	99	P20	2736	986
4	P84	-2742	1774	52	PD1	-142	-2682	100	VSS	2736	1202
5	P85	-2742	1660	53	PD2	-28	-2682	101	P21	2736	1318
6	P86	-2742	1546	54	PD3	86	-2682	102	P22	2736	1432
7	P87	-2742	1432	55	PD4	200	-2682	103	P23	2736	1546
8	AVSS	-2742	1318	56	PE0	314	-2682	104	P24	2736	1660
9	AVDD	-2742	1204	57	PE1	428	-2682	105	P25	2736	1774
10	P92	-2742	892	58	PE2	542	-2682	106	P26	2736	1888
11	P93	-2742	778	59	PE3	656	-2682	107	P27	2736	2004
12	P94	-2742	664	60	PE4	770	-2682	108	P50	2736	2128
13	P95	-2742	550	61	PE5	884	-2682	109	P51	2188	2676
14	P96	-2742	436	62	PE6	998	-2682	110	P52	2062	2676
15	P97	-2742	322	63	PE7	1112	-2682	111	P53	1948	2676
16	PA0	-2742	208	64	VSS	1246	-2682	112	P56	1834	2676
17	PA1	-2742	94	65	P00	1378	-2682	113	P60	1720	2676
18	PA2	-2742	-20	66	P01	1492	-2682	114	P61	1606	2676
19	PA3	-2742	-134	67	P02	1606	-2682	115	P62	1492	2676
20	PA4	-2742	-248	68	P03	1720	-2682	116	VSS	1378	2676
21	PA5	-2742	-362	69	P04	1834	-2682	117	P63	1264	2676
22	PA6	-2742	-476	70	P05	1948	-2682	118	P64	1150	2676
23	PA7	-2742	-590	71	P06	2062	-2682	119	P65	1036	2676
24	PB0	-2742	-704	72	P07	2188	-2682	120	P66	922	2676
25	PB1	-2742	-818	73	P10	2736	-2134	121	P67	808	2676
26	PB3	-2742	-932	74	P11	2736	-2010	122	P70	694	2676
27	PB4	-2742	-1046	75	P12	2736	-1894	123	P71	580	2676
28	VSS	-2742	-1210	76	P13	2736	-1780	124	P72	382	2676
29	PB5	-2742	-1324	77	P14	2736	-1666	125	VDD	268	2676
30	PB6	-2742	-1438	78	P15	2736	-1552	126	P73	68	2676
31	PC0	-2742	-1552	79	P16	2736	-1438	127	P74	-46	2676
32	PC1	-2742	-1666	80	VSS	2736	-1318	128	P75	-160	2676
33	PC2	-2742	-1780	81	P17	2736	-1066	129	P76	-274	2676
34	PC3	-2742	-1894	82	P40	2736	-952	130	P77	-388	2676
35	PC4	-2742	-2010	83	P41	2736	-838	131	PD6	-520	2676
36	PC5	-2742	-2134	84	P42	2736	-724	132	PD7	-634	2676
37	PF0	-2194	-2682	85	P43	2736	-610	133	PF3	-748	2676
38	PF1	-2068	-2682	86	P44	2736	-496	134	PF4	-862	2676
39	PF2	-1954	-2682	87	P45	2736	-382	135	PF5	-976	2676
40	PD0	-1840	-2682	88	P46	2736	-268	136	VSS	-1090	2676
41	AM0	-1726	-2682	89	P47	2736	-154	137	PF6	-1204	2676
42	VDD	-1612	-2682	90	P30	2736	-40	138	PF7	-1318	2676
43	X2	-1410	-2682	91	P31	2736	74	139	P90	-1432	2676
44	VSS	-1244	-2682	92	P32	2736	188	140	P91	-1546	2676
45	X1	-1079	-2682	93	P33	2736	302	141	NMIV	-1660	2676
46	AM1	-963	-2682	94	P34	2736	416	142	VREFL	-1954	2676
47	RESETV	-849	-2682	95	P35	2736	530	143	VREFH	-2068	2676
48	PC6	-734	-2682	96	P36	2736	644	144	P80	-2194	2676

## 2.2 Pin Names and Functions

The names of the input/output pins and their functions are described below.

Table 2.2 Pin names and functions.

Pin Name	Number of Pins	I/O	Functions
P00 to P07 D0 to D7	8	I/O I/O	Port 0: I/O port that allows I/O to be selected at the bit level Data (lower): bits 0 to 7 of data bus
P10 to P17 D8 to D15	8	I/O I/O	Port 1: I/O port that allows I/O to be selected at the bit level (When used to the external 8bit bus) Data (upper): bits 8 to15 of data bus
P20 to P27 A16 to A23	8	Output Output	Port 2: I/O port Address: bits 16 to 23 of address bus
P30 to P37 A8 to A15	8	Output Output	Port 3: I/O port Address: bits 8 to 15 of address bus
P40 o P47 A0 to A7	8	Output Output	Port 4: I/O port Address: bits 0 to 7 of address bus
PZ0 /RD	1	Output Output	Port Z0:Output port Read: strobe signal for reading external memory
PZ1 /WR	1	Output Output	Port Z1:Output port Write: strobe signal for writing data to pins D0 to D7
PZ2 /HWR	1	I/O Output	Port Z2: I/O port (with pull-up resistor) High Write: strobe signal for writing data to pins D8 to D15
PZ3 R/ $\bar{W}$ /SRWR	1	I/O Output Output	Port Z3: I/O port (with pull-up resistor) Read/Write: 1 represents Read or Dummy cycle; 0 represents write cycle. Write for SRAM: strobe signal for writing data .
P56 /WAIT	1	I/O Input	Port 56: I/O port (with pull-up resistor) Wait: pin used to request CPU bus wait
P60 /CS0	1	Output Output	Port 60:Output port Chip select 0: Outputs "0" when address is within specified address area.
P61 /CS1 /SDCS	1	Output Output Output	Port 61:Output port Chip Select 1: outputs "0" when address is within specified address area Chip Select for SDRAM: outputs "0" when address is within SDRAM address area
P62 /CS2 /CS2A	1	Output Output Output	Port 62: Output port Chip Select 2: outputs "0" when address is within specified address area Expand Chip Select: 2A: outputs 0 when address is within specified address area
P63 /CS3	1	Output Output	Port 63:Output port Chip Select 3: outputs "0" when address is within specified address area
P64 EA24 /CS2B	1	Output Output Output	Port 64: Output port Chip Select 24: outputs "0" when address is within specified address area Expand Chip Select: 2B: outputs "0" when address is within specified address area
P65 EA25 /CS2C	1	Output Output Output	Port 65: Output port Chip Select 25: outputs "0" when address is within specified address area Expand Chip Select: 2C: outputs "0" when address is within specified address area
P66 /CS2D /SRLB	1	Output Output Output	Port 66: Output port Expand Chip Select: 2D: outputs "0" when address is within specified address area Lower Byte enable for SRAM: outputs "0" when lower-data is enable.
P67 /CS2E /SRUB	1	Output Output Output	Port 67: Output port Expand Chip Select: 2E: outputs "0" when address is within specified address area Upper Byte enable for SRAM: outputs "0" when upper-data is enable.

Pin Name	Number of Pins	I/O	Functions
P70 SCK OPTRX0	1	I/O I/O Input	Port 70: I/O port Serial bus interface clock I/O data at SIO mode Serial-0 receive data
P71 S0 SDA OPTRX0	1	I/O Output I/O Output	Port 71: I/O port Serial bus interface send data at SIO mode Serial bus interface send/recv data at I2C mode Open drain output mode by programmable Serial-0 send data
P72 SI SCL	1	I/O Output Output	Port 72: I/O port Serial bus interface receive data at SIO mode Serial bus interface clock I/O data at I2C mode Open drain output mode by programmable
P73 /CS2F	1	I/O Output	Port 73: I/O port Expond Chip Select 2F: outputs outputs "0" when address is within specified address area
P74 /CS2G	1	I/O Output	Port 74: I/O port Expond Chip Select 2G: outputs outputs "0" when address is within specified address area
P75 /CSEXA	1	I/O Output	Port 75: I/O port Expand Chip Select EXA: outputs outputs "0" when address is within specified address area
P76 MSK	1	I/O Input	Port 76: I/O port Mask : Use for disable to output VEECLK for LCD-driver
P77 VEECLK	1	I/O Output	Port 77: I/O port Output 32.768KHz clock to LCD-driver. (can be disabled by MSK-pin)
P80 to P87 AN0 to AN7 ADTRG	8	Input Input Input	Port 80 to 87 port: Pin used to input ports Analog input 0 to 7: Pin used to Input to A/D conveter A/D trigger: Signal used to request A/D start (with used to P83)
P90 to P97 KI0 to KI7	8	Input Input	Port: 90 to 97 port: Pin used to input ports Key input 0 to 7: Pin used of Key on wake-up 0 to 7 (schmitt input, with pull-up register)
PA0 to PA7 KO0 to KO7	8	Output Output	Port: A0 to A7 port: Pin used to output ports Key output 0 to 7: Pin used of Key-scan strobe 0 to 7
PB0 TA0IN TXD2	1	I/O Input Output	Port B0: I/O port 8bit timer 0 input: Timer 0 input Serial 2 send data: Open drain output pin by programmable
PB1 TA1OUT RXD2	1	I/O Output Input	Port B1: I/O port 8bit timer 1 output: Timer 1 output Serial 2 receive data
PB3 INT0	1	I/O input	Port B3: I/O port Interrupt request pin0: Interrupt request pin with programmable level / rising / Falling edge
PB4 INT1	1	I/O input	Port B4: I/O port Interrupt request pin1: Interrupt request pin with programmable rising / Falling edge

Pin Name	Number of Pins	I/O	Functions
PB5 INT2  TA3OUT	1	I/O Input  Output	Port B5: I/O port Interrupt request pin2 : Interrupt request pin with programmable rising /falling edge 8bit timer 3 output: Timer 3 output 8bit timer 3 output: Timer 2 output or Timer 3 output
PB6 INT3  TB0OUT0	1	I/O Input  Output	Port B6 : I/O port Interrupt request pin3: Interrupt request pin with programmable rising /falling edge Timer B0 output 8bit timer 0 output: Timer 0 output or Timer 1 output
PC0 TXD0	1	I/O Output	Port C0: I/O port Serial 0 send data: Open drain output pin by programmable
PC1 RXD0	1	I/O Input	Port C1: I/O port Serial 0 receive data
PC2 SCLK0 CTS0	1	I/O I/O Input	Port C2: I/O port Serial 0 clock I/O Serial 0 data send enable (Clear to Send)
PC3 TXD1	1	I/O Output	Port C3: I/O port Serial 1 send data: Open drain output pin by programmable
PC4 RXD1	1	I/O Input	Port C4: I/O port Serial 1 receive data
PC5 SCLK1 CTS1	1	I/O I/O Input	Port C5: I/O port Serial 1 clock I/O Serial 1 data send enable (Clear to Send)
PD0 D1BSCP	1	Output Output	Port D0: Output port LCD driver output pin
PD1 D2BLP	1	Output Output	Port D1: Output port LCD driver output pin
PD2 D3BFR	1	Output Output	Port D2: Output port LCD driver output pin
PD3 DLEBCD	1	Output Output	Port D3: Output port LCD driver output pin
PD4 DOFFB	1	Output Output	Port D4: Output port LCD driver output pin
PD6 /ALARM /MLDALM	1	Output Output Output	Port D6: Output port RTC alarm output pin Melody / Alarm output pin (inverted)
PD7 MLDALM	1	Output Output	Port D7: Output port Melody / Alarm output pin
PE0 to PE7 LD0 to LD7	8	I/O Output	Port E0 to E7: I/O port Data Bus for LCD-driver
PF0 /SDRAS	1	I/O Output	Port F0: Output port Row Address Strobe for SDRAM: outputs "0" when address is within SDRAM address area
PF1 /SDCAS	1	I/O Output	Port F1: Output port Column Address Strobe for SDRAM: outputs "0" when address is within SDRAM address area

Pin Name	Number of Pins	I/O	Functions
PF2 /SDWE	1	Output Output	Port F2: Output port Write Enable for SDRAM
PF3 SDLDQM	1	Output Output	Port F3: Output port Lower Data enable for SDRAM
PF4 SDUDQM	1	Output Output	Port F4: Output port Upper Data enable for SDRAM
PF5 SDCKE	1	Output Output	Port F5: Output port Clock Enable for SDRAM
PF6 SDCLK	1	Output Output	Port F6: Output port Clock for SDRAM
PF7	1	Output	Port F7: Output port
/PS /NMI	1	Input Input	Power Save mode setting terminal Non-Maskable Interrupt Request : interrupt request pin with programmable falling edge level or with both edge levels programmable
AM0 to 1	2	Input	Operation mode: Fixed to AM1="1",AM0="1" when using internal-ROM. Fixed to AM1="0",AM0="1" when using external-ROM by 16-bit external bus. Fixed to AM1="0",AM0="0" when using external-ROM by 8-bit external bus.
EMU0	1	Output	Open pin
EMU1	1	Output	Open pin
$\overline{\text{RESET}}$	1	Input	Reset: initializes TMP91C820AF. (With pull-up resistor)
VREFH	1	Input	Pin for reference voltage input to AD converter (H)
VREFL	1	Input	Pin for reference voltage input to AD converter (L)
X1/X2	2	I/O	High-frequency oscillator connection pins
XT1/XT2	2	I/O	Low-frequency oscillator connection pins
AVCC	1		Power supply pin for AD converter
AVSS	1		GND pin for AD converter (0 V)
DVCC	3		Power supply pins (All Vcc pins should be connected with the power Supply pin).
DVSS	7		GND pins (All pins should be connected with GND(0V)).

### 3. OPERATION

This following describes block by block the functions and operation of the TMP91C820A.

Notes and restrictions for each book are outlined in “ 6, Precautions and Restrictions “ at the end of this manual.

#### 3.1 CPU

The TMP91C820A incorporates a high-performance 16-bit CPU (the 900/L1 CPU). For CPU operation, see the “TLCS-900/L1 CPU”.

The following describe the unique function of the CPU used in the TMP91C820A; these functions are not covered in the TLCS-900/L1 CPU section.

##### 3.1.1 Reset

When resetting the TMP91C820A microcontroller, ensure that the power supply voltage is within the operating voltage range, and that the internal high-frequency oscillator has stabilized. Then hold the /RESET input to Low level for at least 10 system clocks (ten states: 80  $\mu$ s at 4 MHz).

When the reset is accepted, the CPU:

- Sets as follows the program counter (PC) in accordance with the reset vector stored at address FFFF00H to FFFF02H:  
 PC<7 to 0>  $\leftarrow$  value at FFFF00H address  
 PC<15 to 8>  $\leftarrow$  value at FFFF01H address  
 PC<23 to 16>  $\leftarrow$  value at FFFF02H address
- Sets the stack pointer (XSP) to 100H.
- Sets bits <IFF2:0> of the status register (SR) to 111 (sets the interrupt level mark register to level 7).
- Sets the <MAX> bit of the status register to 1 (MAX mode).  
 (Note: As this product does not support MIN mode, do not write a 0 to the <MAX> )
- Clears bits <RFP2:0> of the status register to 000 (sets the register bank to 0 ).

When reset is released, the CPU starts executing instructions in accordance with the program counter settings. CPU internal registers not mentioned above do not change when the reset is released.

When the reset is accepted, the CPU sets internal I/O, ports, and other pins as follows.

- Initializes the internal I/O registers.
- Sets the port pins, including the pins that also act as internal I/O, to general-purpose input or output port mode.

(Note1) The CPU internal register(except to PC,SR,XSP) and internal RAM data do not change by resetting.

Figure 3.1.1 is a reset timing of the TMP91C820A.

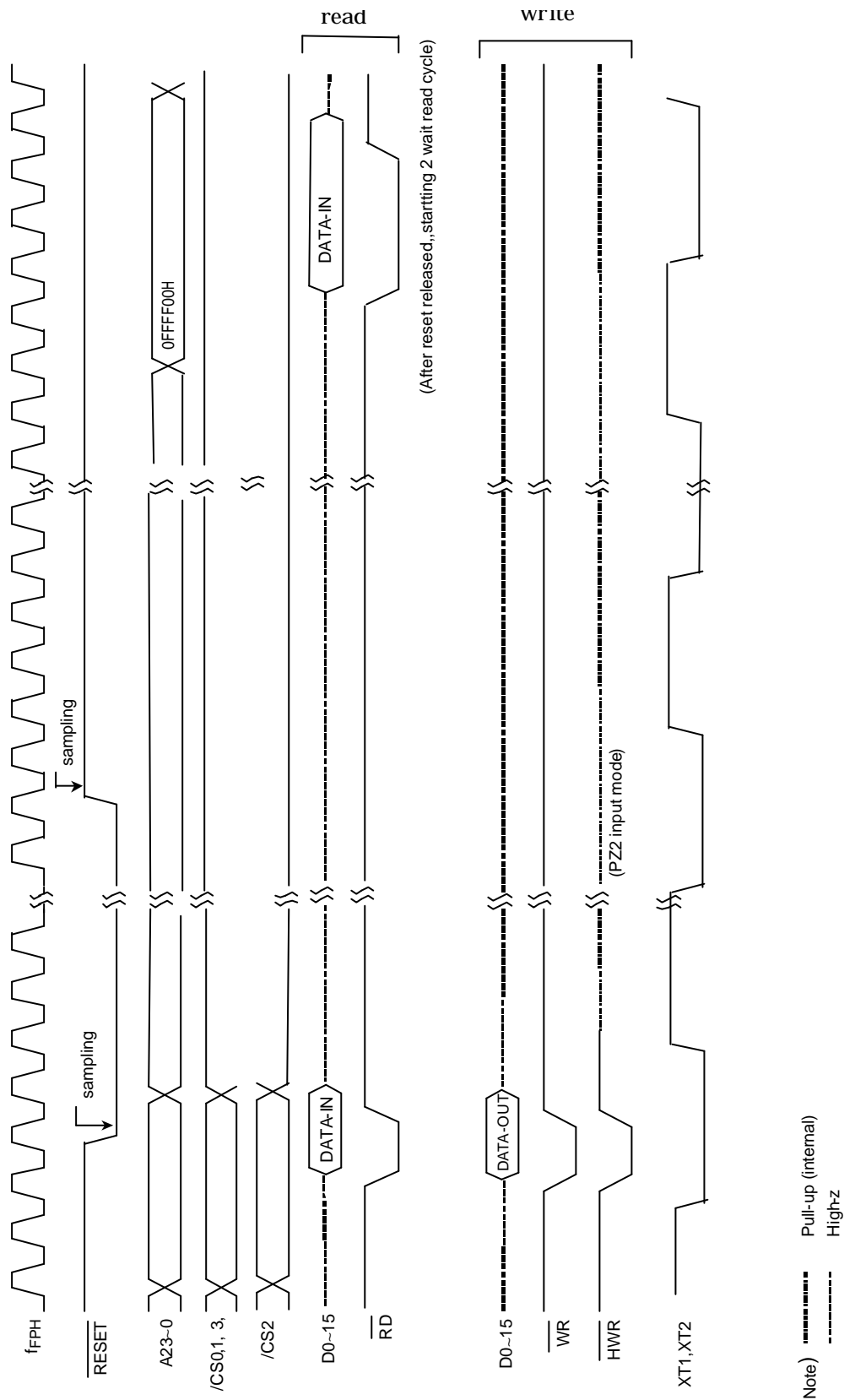


Figure 3.1.1 TMP91C820A Reset Timing Example (the case of using external-ROM)

3.2 Memory Map

Figure 3.2.1 is a memory map of the TMP91C820A.

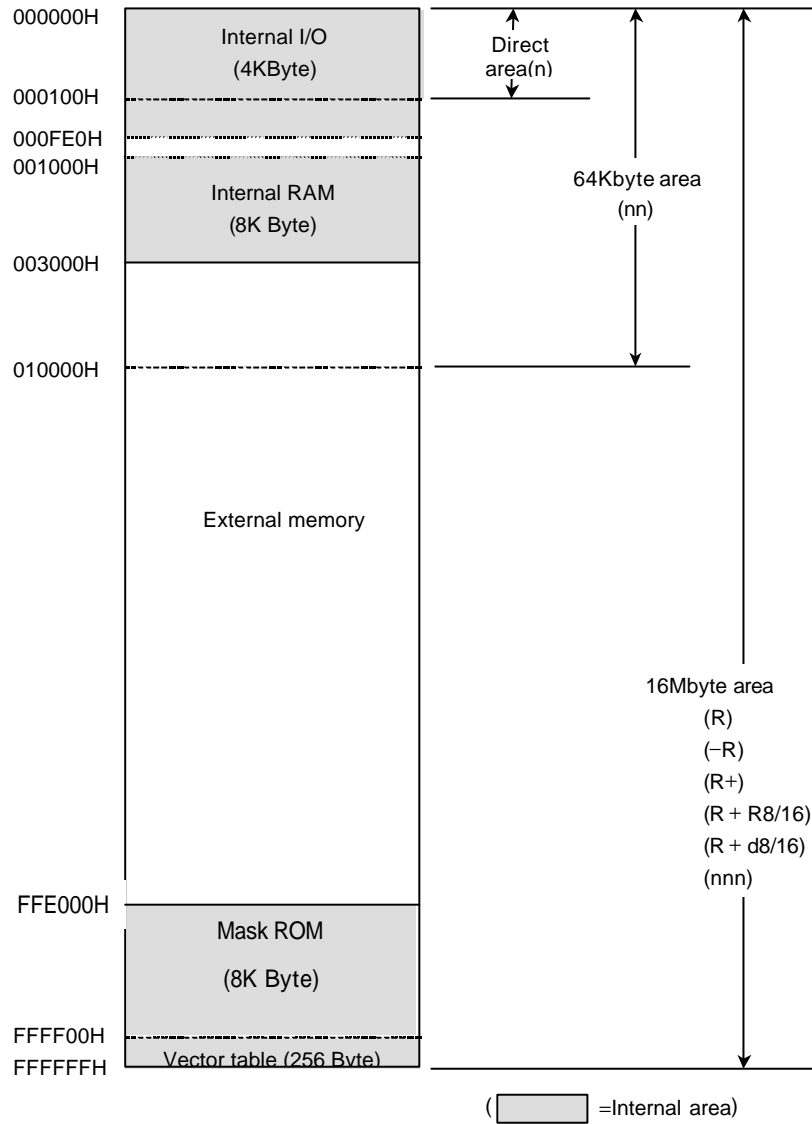


Figure 3.2.1 Memory Map

(note) : Address 000FE0H – 000FEFH is assigned for the external memory area of Built-in RAM type LCD driver.



### 3.3 Triple Clock Function and Standby Function

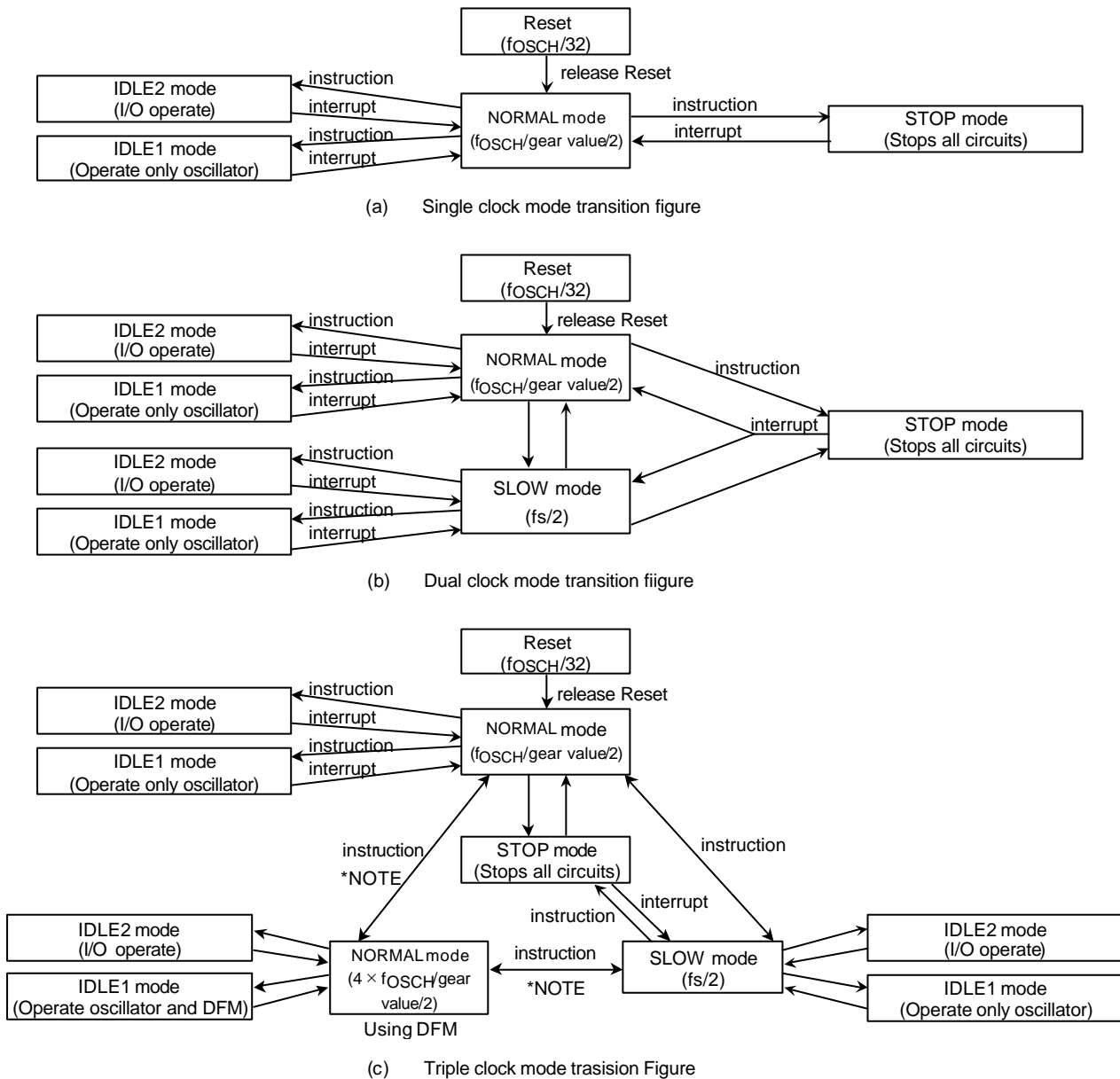
TMP91C820A contains (1) a clock gear, (2) clock doubler (DFM), (3) standby controller and (4) noise-reducing circuit. It is used for low-power, low-noise systems.

This chapter is organized as follows:

- 3.3.1 Block diagram of system clock
- 3.3.2 SFRs
- 3.3.3 System clock controller
- 3.3.4 Prescaler clock controller
- 3.3.5 Clock doubler (DFM)
- 3.3.6 Noise-reducing circuit
- 3.3.7 Standby controller

The clock operating modes are as follows: (a) Single Clock Mode (X1, X2 pins only), (b) Dual Clock Mode (X1, X2, XT1 and XT2 pins) and (c) Triple Clock Mode (the X1, X2, XT1 and XT2 pins and DFM).

Figure 3.3.1 shows a transition figure.



**\*NOTE)**

- It's prohibited to control DFM in SLOW mode when shifting from SLOW mode to NORMAL mode with use of DFM. ( DFM Start up/Stop/Change Write to DFMCRO<ACT1:0> register )
- If you shift from NORMAL mode with use of DFM to NORMAL mode, the instruction should be separated into two procedures as below. Change CPU clock->Stop DFM circuit
- It's prohibited to shift from NORMAL mode with use of DFM to STOP mode directly. You should set NORMAL mode once, and then shift to STOP mode.(You should stop high frequency oscillator after you stop DFM.)

Figure 3.3.1 System clock block diagram

The clock frequency input from the X1 and X2 pins is called  $f_c$  and the clock frequency input from the XT1 and XT2 pins is called  $f_s$ . The clock frequency selected by SYSCR1<SYSCK> is called the system clock  $f_{FPH}$ . The system clock  $f_{SYS}$  is defined as the divided clock of  $f_{FPH}$ , and one cycle of  $f_{SYS}$  is defined to as one state.

3.3.1 Block diagram of system clock

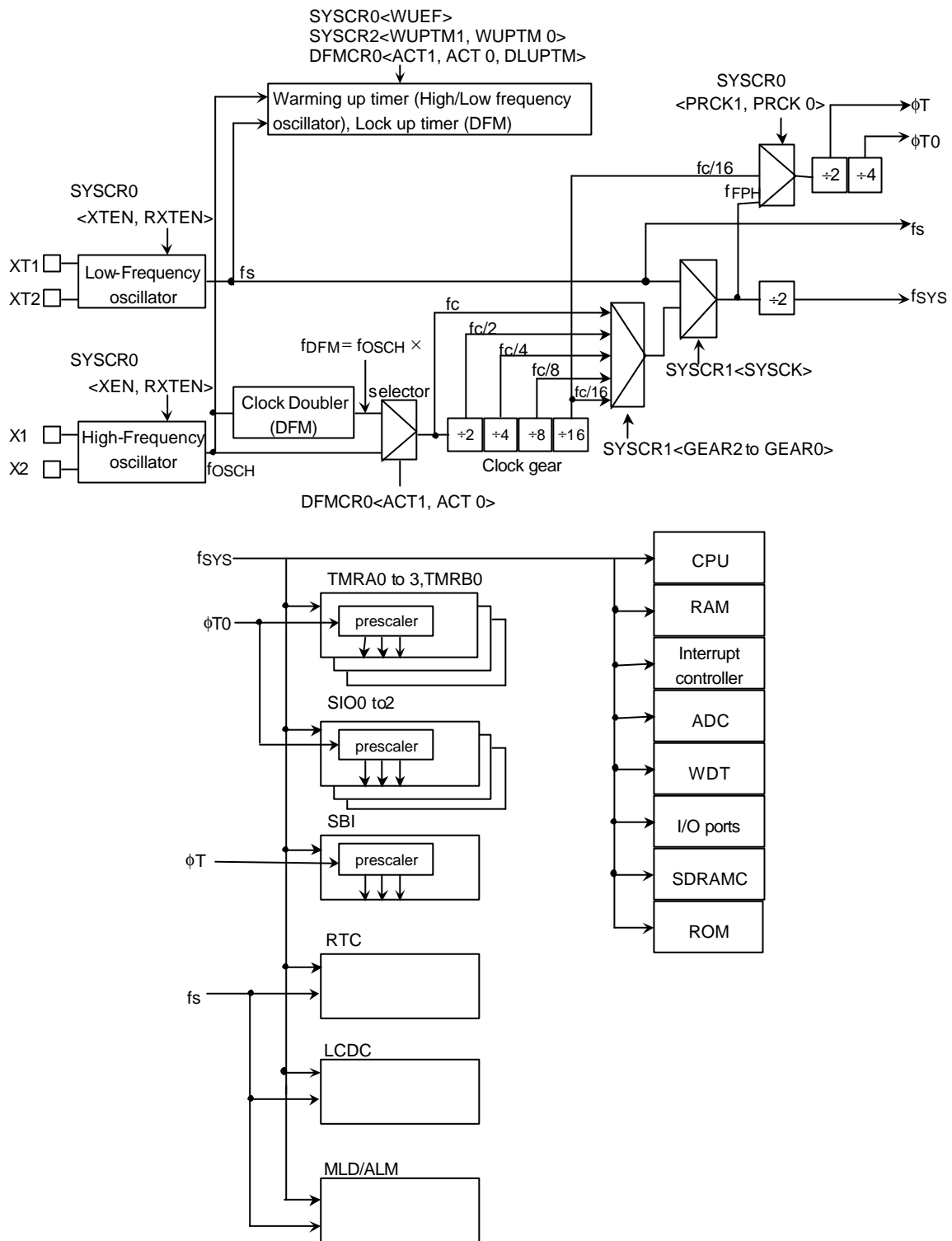


Figure 3.3.2 Block Diagram of System clock

3.3.2 SFR

SYSCR0 (00E0H)		7	6	5	4	3	2	1	0
	bit Symbol	XEN	XTEN	RXEN	RXTEN	RSYSCK	WUEF	PRCK1	PRCK0
	Read/Write	R/W							
	After reset	1	1	1	0	0	0	0	0
	Function	High-frequency oscillator (fc) 0: Stop 1: Oscillation	Low-frequency oscillator (fs) 0: Stop 1: Oscillation (Note2)	High-frequency oscillator (fc) after release of Stop Mode 0: Stop 1: Oscillation	Low-frequency oscillator (fs) after release of Stop Mode 0: Stop 1: Oscillation	Selects clock after release of Stop Mode 0: fc 1: fs	Warm-up Timer 0: Write Don't care 1: Write start timer 0: Read end warm-up 1: Read do not end warm-up	Select prescaler clock 00: fFPH (Note1) 01: reserved 10: fc/16 11: reserved	
SYSCR1 (00E1H)		7	6	5	4	3	2	1	0
	bit Symbol					SYSCK	GEAR2	GEAR1	GEAR0
	Read/Write	R/W							
	After reset					0	1	0	0
	Function					Select system clock 0: fc 1: fs	Select gear value of high frequency (fc) 000: fc 001: fc/2 010: fc/4 011: fc/8 100: fc/16 101: (reserved) 110: (reserved) 111: (reserved)		
SYSCR2 (00E2H)		7	6	5	4	3	2	1	0
	bit Symbol	PSENV		WUPTM1	WUPTM0	HALTM1	HALTM0	SELDRV	DRVE
	Read/Write	R/W		R/W	R/W	R/W	R/W	R/W	R/W
	After reset	0		1	0	1	1	0	0
	Function	1: Disable 0: power save mode enable (Note3)		Warm-Up Timer 00: reserved 01: 2 <sup>2</sup> /inputted frequency 10: 2 <sup>14</sup> 11: 2 <sup>16</sup>		HALT mode 00: reserved 01: STOP mode 10: IDLE1 mode 11: IDLE2 mode		<DRVE> mode select 1: STOP 0: IDLE1	Pin state control in STOP mode 0: I/O off 1: Remains the state before HALT

(note1): By reset, low-frequency oscillator is enabled.

(note2): It's prohibit to use to fc/16 prescaler clock when SBI block use.(I2C bus & clock synchronous)

(note3): When you use  $\overline{\text{NMI}}/\overline{\text{PS}}\text{p}$  in as  $\overline{\text{NMI}}$  function, set <PSETV> to "1".

Figure 3.3.3 SFR for system clock

Symbol	Name	Address	7	6	5	4	3	2	1	0	
DFMCR0	DFM Control Register 0	E8H	ACT1	ACT0	DLUPFG	DLUPTM					
			R/W	R/W	R	R/W					
			0	0	0	0					
			DFM	LUP	select $f_{DFM}$	Lock up	Lock-up Time				
			00	STOP	STOP	$f_{OSCH}$	Status Flag	0: $2^{12} f_{OSCH}$			
01	RUN	RUN	$f_{OSCH}$	0: <u>end</u>	1: $2^{10} f_{OSCH}$						
10	RUN	STOP	$f_{DFM}$	1: <u>not end</u>							
11	RUN	STOP	$f_{OSCH}$								
DFMCR1	DFM Control Register 0	E9H	DFM revision Input frequency 4~9MHz(@2.7V~3.6V) : write "0BH"								

Figure 3.3.4 SFR for DFM

**Limitation point on the use of DFM**

- It's prohibited to execute DFM enable/disable control in the SLOW mode(fs) (write to DFMCR0<ACT1:0>="10"). You should control DFM in the NORMAL mode.
- If you stop DFM operation during using DFM(DFMCR0<ACT1:0>="10"), you shouldn't execute that change the clock  $f_{DFM}$  to  $f_{OSCH}$  and stop the DFM at the same time. Therefore the above executions should be separated into two procedures as showing below.
 

LD	(DFMCR0),C0H	;	change the clock $f_{DFM}$ to $f_{OSCH}$
LD	(DFMCR0),00H	;	DFM stop
- If you stop high frequency oscillator during using DFM (DFMCR0<ACT1:0>="10"), you should stop DFM before you stop high frequency oscillator.

Please refer to 3.3.5 Clock Doubler (DFM) for the details.

	7	6	5	4	3	2	1	0
EMCCR0 (00E3H)	bit Symbol	PROTECT	TA3LCDE	AHOLD	TA3MLDE	EXTIN	DRVOSCH	DRVOSCL
	Read/Write	R	R/W	R/W	R/W	R/W	R/W	R/W
	After reset	0	0	0	0	0	0	1
	Function	Protect flag 0: OFF 1: ON	LCDC Source clock 0:32KHz 1:TA3OUT	Address hold (*Note) 0:normal 1:enable	Melody/Alarm Source clock 0:32KHz 1:TA3OUT	Always fixed to "0"	1: External clock	fc oscillator driver ability 1: NORMAL 0: WEAK
EMCCR1 (00E4H)	bit Symbol	Switching the protect ON/OFF by write to following 1 <sup>st</sup> -KEY,2 <sup>nd</sup> -KEY 1 <sup>st</sup> -KEY: EMCCR1=5AH,EMCCR2=A5H in succession write 2 <sup>nd</sup> -KEY: EMCCR1=A5H,EMCCR2=5AH in succession write						
	Read/Write							
	After reset							
	Function							
EMCCR2 (00E5H)	bit Symbol	Switching the protect ON/OFF by write to following 1 <sup>st</sup> -KEY,2 <sup>nd</sup> -KEY 1 <sup>st</sup> -KEY: EMCCR1=5AH,EMCCR2=A5H in succession write 2 <sup>nd</sup> -KEY: EMCCR1=A5H,EMCCR2=5AH in succession write						
	Read/Write							
	After reset							
	Function							
EMCCR3 (00E6H)	bit Symbol	ENFROM	ENDROM	ENPROM	FFLAG	DFLAG	PFLAG	
	Read/Write	R/W	R/W	R/W	R/W	R/W	R/W	
	After reset	0	0	0	0	0	0	
	Function	CS1A area detect control 0: disable 1: enable	CS2B-2G area detect control 0: disable 1: enable	CS2A area detect control 0: disable 1: enable	CS1A write Operation flag	CS2B-2G write peration Flag	CS2A write Operation Flag	When reading "0" : not written "1" : written When writing "0" : clear flag

Figure 3.3.5 SFR for noise-reducing

Note : When getting access to the logic address 000000H to 003000H and FFE000H to FFFFFFFH , A0 to A23 holds the previous address.

### 3.3.3 System clock controller

The system clock controller generates the system clock signal ( $f_{SYS}$ ) for the CPU core and internal I/O. It contains two oscillation circuits and a clock gear circuit for high-frequency ( $f_c$ ) operation. The register SYSCR1<SYSCK> changes the system clock to either  $f_c$  or  $f_s$ , SYSCR0<XEN> and SYSCR0<XTEN> control enabling and disabling of each oscillator, and SYSCR1<GEAR0 to GEAR2> sets the high-frequency clock gear to either 1, 2, 4, 8 or 16 ( $f_c$ ,  $f_c/2$ ,  $f_c/4$ ,  $f_c/8$  or  $f_c/16$ ). These functions can reduce the power consumption of the equipment in which the device is installed.

The combination of settings <XEN> = 1, <XTEN> = 0, <SYSCK> = 0 and <GEAR0~GEAR2> = 100 will cause the system clock ( $f_{SYS}$ ) to be set to  $f_c/32$  ( $f_c/16 \times 1/2$ ) after a Reset.

For example,  $f_{SYS}$  is set to 0.5 MHz when the 16-MHz oscillator is connected to the X1 and X2 pins.

#### (1) Switching from Normal Mode to Slow Mode

When the resonator is connected to the X1 and X2 pins, or to the XT1 and XT2 pins, the warm-up timer can be used to change the operation frequency after stable oscillation has been attained.

The warm-up time can be selected using SYSCR2<WUPTM0, WUPTM1>.

This warm-up timer can be programmed to start and stop as shown in the following examples 1 and 2.

Table 3.3.1 shows the warm-up time.

Note 1: When using an oscillator (other than a resonator) with stable oscillation, a warm-up timer is not needed.

Note 2: The warm-up timer is operated by an oscillation clock. Hence, there may be some variation in warm-up time.

Table 3.3.1 Warming-up times

Warming-up Time SYSCR2 <WUPTM1, WUPTM0>	Change to Normal Mode	Change to Slow Mode
01 ( $2^8$ / frequency)	16 ( $\mu$ s)	7.8 (ms)
10 ( $2^{14}$ / frequency)	1.024 (ms)	500 (ms)
11 ( $2^{16}$ / frequency)	4.096 (ms)	2000 (ms)

at  $f_{OSCH} = 16$  MHz,  
 $f_s = 32.768$  kHz

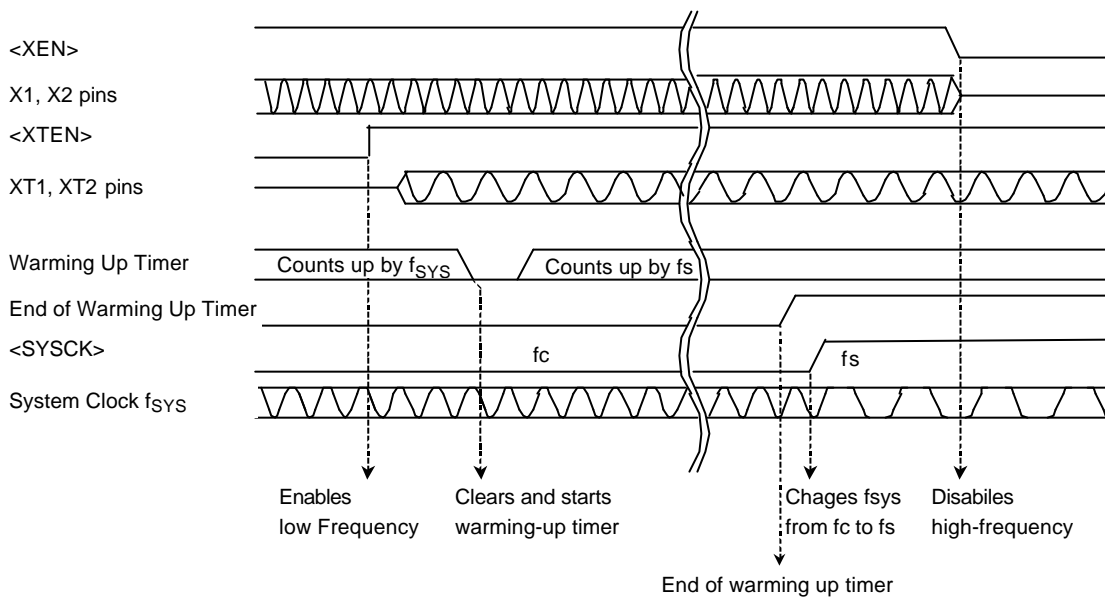
Example 1-Setting the clock

Changing from high frequency (fc) to low frequency (fs).

SYSCR0	EQU	00E0H		
SYSCR1	EQU	00E1H		
SYSCR2	EQU	00E2H		
	LD	(SYSCR2), X-11--X-B	;	Sets warm-up time to $2^{16}/f_s$ .
	SET	6, (SYSCR0)	;	Enables low-frequency oscillation.
	SET	2, (SYSCR0)	;	Clears and starts warm-up timer.
WUP:	BIT	2, (SYSCR0)	;	} Detects stopping of warm-up timer.
	JR	NZ, WUP	;	
	SET	3, (SYSCR1)	;	Changes $f_{SYS}$ from $f_c$ to $f_s$ .
	RES	7, (SYSCR0)	;	Disables high-frequency oscillation.

(Note) "x" means don't care

"-" means no change





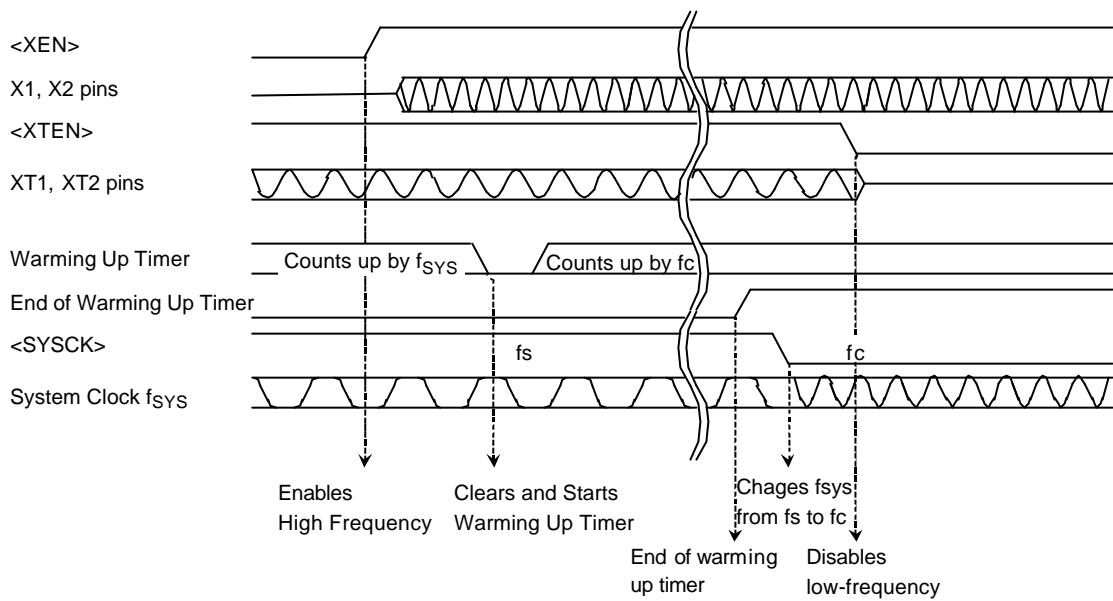
Example 2-Setting the clock

Changing from low frequency ( $f_s$ ) to high frequency ( $f_c$ ).

SYSCR0	EQU	00E0H		
SYSCR1	EQU	00E1H		
SYSCR2	EQU	00E2H		
	LD	(SYSCR2), X-10--X-B	;	Sets warm-up time to $2^{14}/f_c$ .
	SET	7, (SYSCR0)	;	Enables high-frequency oscillation.
	SET	2, (SYSCR0)	;	Clears and starts warm-up timer.
WUP:	BIT	2, (SYSCR0)	;	} Detects stopping of warm-up timer.
	JR	NZ, WUP	;	
	RES	3, (SYSCR1)	;	Changes $f_{SYS}$ from $f_s$ to $f_c$ .
	RES	6, (SYSCR0)	;	Disables low-frequency oscillation.

(Note) "x" means don't care

"-" means no change



## (2) Clock gear controller

When the high-frequency clock  $f_c$  is selected by setting SYSCR1<SYSCK> = 0,  $f_{FPH}$  is set according to the contents of the Clock Gear Select Register SYSCR1<GEAR0 to GEAR2> to either  $f_c$ ,  $f_c/2$ ,  $f_c/4$ ,  $f_c/8$  or  $f_c/16$ . Using the clock gear to select a lower value of  $f_{FPH}$  reduces power consumption.

## Example 3

## Changing to a high-frequency gear

```
SYSCR1 EQU 00E1H
LD (SYSCR1), XXXX0000B ; Changes  $f_{SYS}$  to  $f_c/2$ .
LD (SYSCR1), XXXX0100B ; Changes  $f_{SYS}$  to  $f_c/32$ .
```

X: Don't care

## (High-speed clock gear changing)

To change the clock gear, write the register value to the SYSCR1<GEAR2-0> register. It is necessary the warming up time until changing after writing the register value.

There is the possibility that the instruction next to the clock gear changing instruction is executed by the clock gear before changing. To execute the instruction next to the clock gear switching instruction by the clock gear after changing, input the dummy instruction as follows (instruction to execute the write cycle).

(Example)

```
SYSCR1 EQU 00E1H
LD (SYSCR1), XXXX0001B ; Changes  $f_{SYS}$  to  $f_c/4$ .
LD (DUMMY), 00H ; Dummy instruction
```

Instruction to be executed after clock gear has changed
---

3.3.4 Prescaler clock controller

For the internal I/O (TMRA01 to 23, SIO0 to 1,SBI) there is a prescaler which can divide the clock.

The  $\phi_T$  clock input to the prescaler is either the clock  $f_{FPH}$  divided by 2 or the clock  $f_c/16$  divided by 2. The setting of the SYSCR0 <PRCK0 to PRCK1> register determines which clock signal is input.

The  $\phi_{T0}$  clock input to the prescaler is either the clock  $f_{FPH}$  divided by 4 or the clock  $f_c/16$  divided by 4. The setting of the SYSCR0 <PRCK0 to PRCK1> register determines which clock signal is input.

3.3.5 Clock doubler (DFM)

DFM outputs the  $f_{DFM}$  clock signal, which is four times as fast as  $f_{OSCH}$ . It can use the low-frequency oscillator, even though the internal clock is high-frequency.

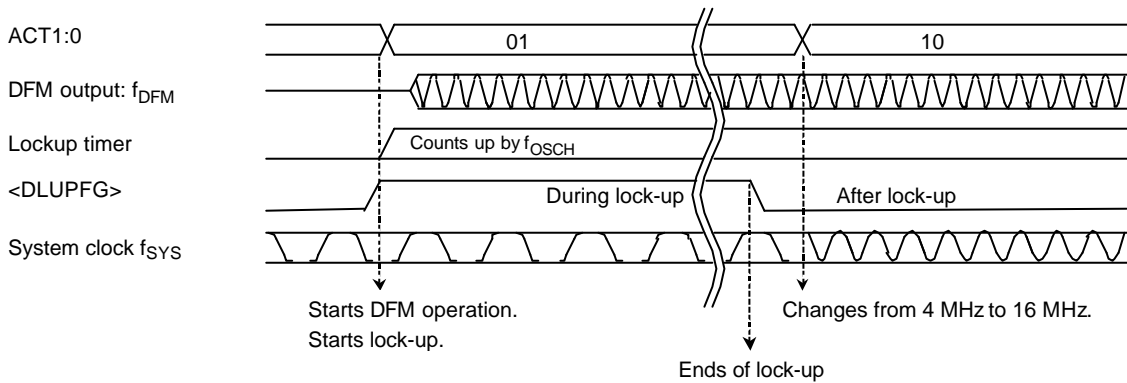
A Reset initializes DFM to Stop status, setting to DFMCRO-register is needed before use.

Like an oscillator, this circuit requires time to stabilize. This is called the lock-up time.

The following example shows how DFM is used.

```
DFMCRO EQU 00E8H
DFMCR1 EQU 00E9H
LD (DFMCR1),0BH ; Parameter setting
LD (DFMCRO),01X0XXXXB ; Set lock-up time to 212/4 MHz
; Enables DFM operation and starts lock-up.
LUP: BIT 5, (DFMCRO) ; } Detects end of lock-up
JR NZ, LUP ; }
LD (DFMCRO), 10X0XXXXB ; Changes fc from 4 MHz to 16 MHz.
```

X: Don't care



(note) Input frequency limitation and correction for DFM

Recommend to use Input frequency(High speed oscillation) for DFM in the following condition.

$$f_{OSCH} = 4 \sim 6.75\text{MHz} (V_{cc} = 2.7 \sim 3.6\text{V}) : \text{ write } 0\text{BH} \text{ to } \text{DFMCR1}$$

**Limitation point on the use of DFM**

1. It's prohibited to execute DFM enable/disable control in the SLOW mode(fs) (write to DFMCr0<ACT1:0>="10"). You should control DFM in the NORMAL mode.
2. If you stop DFM operation during using DFM (DFMCr0<ACT1:0>="10") , you shouldn't execute the commands that change the clock  $f_{DFM}$  to  $f_{OSCH}$  and stop the DFM at the same time. Therefore the above execution should be separated into two procedures as showing below.

```
LD      (DFMCr0),C0H    ; Change the clock  $f_{DFM}$  to  $f_{OSCH}$ 
LD      (DFMCr0),00H    ; DFM stop
```

3. If you stop high frequency oscillator during using DFM(DFMCr0<ACT1:0>="10") , you should stop DFM before you stop high frequency oscillator.

Examples of settings are below.

## (1) Start Up / Change Control

(OK) Low frequency oscillator operation mode( $f_s$ ) (high frequency oscillator STOP)

High frequency oscillator start up    High frequency oscillator operation mode( $f_{OSCH}$ )    DFM start up    DFM use mode ( $f_{DFM}$ )

```
WUP: LD      (SYSCR0), 11---1--B    ; High frequency oscillator start up/ Warming up start
      BIT      2,(SYSCR0)           ;
      JR      NZ,WUP                 ; } Check for the flag of warming up end
      LD      (SYSCR1), ---0---B    ; Change the system clock  $f_s$  to  $f_{OSCH}$ 
      LD      (DFMCr0),01-0---B    ; DFM start up / lock up start
LUP:  BIT      5, (DFMCr0)           ;
      JR      NZ,LUP                 ; } Check for the flag of lock up end
      LD      (DFMCr0),10-0---B    ; Change the system clock  $f_{OSCH}$  to  $f_{DFM}$ 
```

(OK) Low frequency oscillator operation mode( $f_s$ ) (high frequency oscillator Operate)

High frequency oscillator operation mode( $f_{OSCH}$ )    DFM start up    DFM use mode ( $f_{DFM}$ )

```
LUP: LD      (SYSCR1), ---0---B    ; Change the system clock  $f_s$  to  $f_{OSCH}$ 
      LD      (DFMCr0), 01-0---B    ; DFM start up / lock up start
      BIT      5, (DFMCr0)           ;
      JR      NZ,LUP                 ; } Check for the flag of lock up end
      LD      (DFMCr0),10-0---B    ; Change the system clock  $f_{OSCH}$  to  $f_{DFM}$ 
```

(NG) Low frequency oscillator operation mode( $f_s$ ) (high frequency oscillator STOP)

High frequency oscillator start up    DFM start up    DFM use mode ( $f_{DFM}$ )

```
WUP: LD      (SYSCR0),11---1--B ; High frequency oscillator start up/ Warming up start
      BIT      2,(SYSCR0)           ;
      JR      NZ,WUP                 ; } Check for the flag of warming up end
      LD      (DFMCr0),01-0---B    ; DFM start up / lock up start
LUP:  BIT      5, (DFMCr0)           ;
      JR      NZ,LUP                 ; } Check for the flag of lock up end
      LD      (DFMCr0),10-0---B    ; Change the internal clock  $f_{OSCH}$  to  $f_{DFM}$ 
      LD      (SYSCR1), ----0---B  ; Change the system clock  $f_s$  to  $f_{DFM}$ 
```

## ( 2 ) Change / Stop Control

(OK) DFM use mode ( $f_{DFM}$ ) High frequency oscillator operation mode( $f_{OSCH}$ ) DFM Stop  
 Low frequency oscillator operation mode( $f_s$ ) High frequency oscillator stop

LD (DFMCR0),11-----B ; Change the system clock  $f_{DFM}$  to  $f_{OSCH}$   
 LD (DFMCR0),00-----B ; DFM stop  
 LD (SYSCR1), ----1---B ; Change the system clock  $f_{OSCH}$  to  $f_s$   
 LD (SYSCR0), 0-----B ; High frequency oscillator stop

(NG) DFM use mode ( $f_{DFM}$ ) Low frequency oscillator operation mode( $f_s$ ) DFM stop  
 High frequency oscillator stop

LD (SYSCR1), ----1---B ; Change the system clock  $f_{DFM}$  to  $f_s$   
 LD (DFMCR0),11-----B ; Change the internal clock ( $f_c$ )  $f_{DFM}$  to  $f_{OSCH}$   
 LD (DFMCR0),00-----B ; DFM stop  
 LD (SYSCR0), 0-----B ; High frequency oscillator stop

(OK) DFM use mode ( $f_{DFM}$ ) Set the STOP mode  
 High frequency oscillator operation mode ( $f_{OSCH}$ ) DFM stop HALT(High frequency oscillator stop)

LD (SYSCR2), ----01--B ; Set the STOP mode  
 (This command can execute before use of DFM)  
 LD (DFMCR0),11-----B ; Change the system clock  $f_{DFM}$  to  $f_{OSCH}$   
 LD (DFMCR0),00-----B ; DFM stop  
 HALT ; Shift to STOP mode

(NG) DFM use mode ( $f_{DFM}$ ) Set the STOP mode HALT(High frequency oscillator stop)

LD (SYSCR2), ----01--B ; Set the STOP mode  
 (This command can execute before use of DFM)  
 HALT ; Shift to STOP mode

### 3.3.6 Noise reduction circuits

Noise reduction circuits are built in, allowing implementation of the following features.

- (1) Reduced drivability for high-frequency oscillator
- (2) Reduced drivability for low-frequency oscillator
- (3) Single drive for high-frequency oscillator
- (4) SFR protection of register contents
- (5) ROM protection of register contents

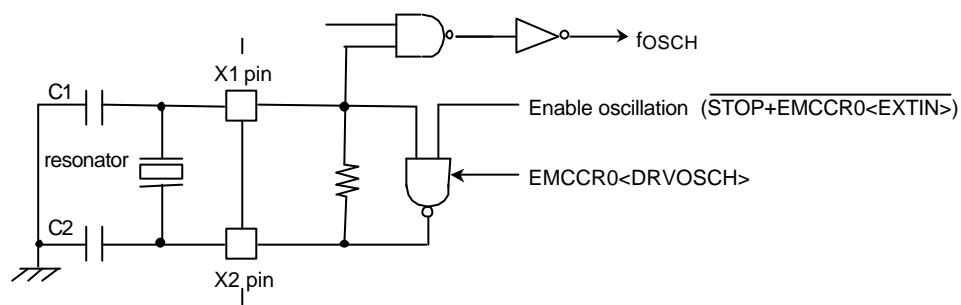
The above functions are performed by making the appropriate settings in the EMCCR0 to EMCCR3 registers.

- (1) Reduced drivability for high-frequency oscillator

(Purpose)

Reduces noise and power for oscillator when a resonator is used.

(Block diagram)



(Setting method)

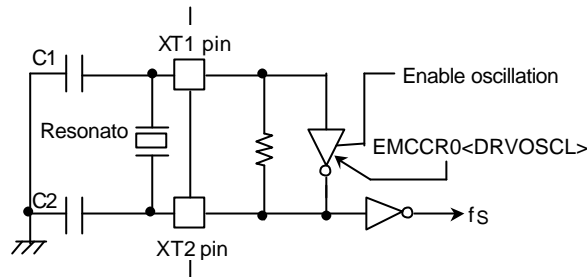
The drivability of the oscillator is reduced by writing "0" to EMCCR0<DRVOSCH> register. By reset, <DRVOSCH> is initialized to "1" and the oscillator starts oscillation by normal-drivability when the power-supply is on.

(2) Reduced drivability for low-frequency oscillator

(Purpose)

Reduces noise and power for oscillator when a resonator is used.

(Block diagram)



(Setting method)

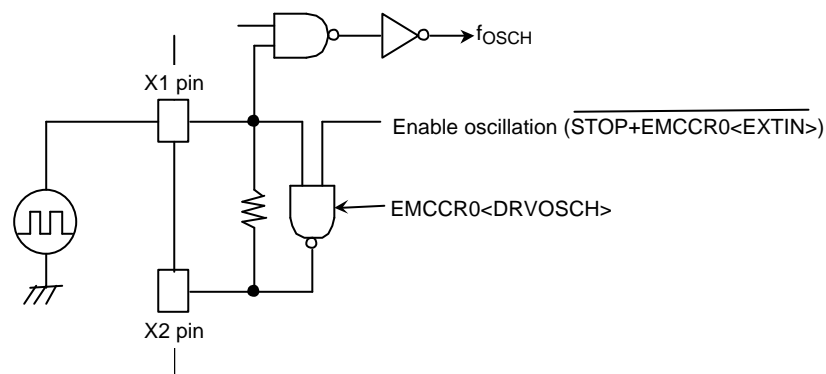
The drivability of the oscillator is reduced by writing 0 to the EMCCR0<DRVOSCL> register. By Reset, <DRVOSCL> is initialized to “1”.

(3) Single drive for high-frequency oscillator

(Purpose)

Not need twin-drive and protect mistake-operation by inputted noise to X2 pin when the external-oscillator is used.

(Block diagram)



(Setting method)

The oscillator is disabled and starts operation as buffer by writing “1” to EMCCR0<EXTIN> register. X2-pin is always outputted “1”.

By reset, <EXTIN> is initialized to “0”.

## (4) Runaway provision with SFR protection register

(Purpose)

Provision in runaway of program by noise mixing.

Write operation to specified SFR is prohibited so that provision program in runaway prevents that it is in the state which is fetch impossibility by stopping of clock, memory control register (CS/WAIT controller, MMU) is changed.

And error handling in runaway becomes easy by INTPO interruption.

Specified SFR list

- |  |
|--|
| <ol style="list-style-type: none"><li>1. CS/WAIT controller<br/>B0CS, B1CS, B2CS, B3CS, BEXCS,<br/>MSAR0, MSAR1, MSAR2, MSAR3,<br/>MAMR0, MAMR1, MAMR2, MAMR3</li><li>2. MMU<br/>LOCAL0/1/2/3</li><li>3. Clock gear<br/>SYSCR0, SYSCR1, SYSCR2, EMCCR0, EMCCR3</li><li>4. DFM<br/>DFMCR0/1</li></ol> |
|--|

(Operation explanation)

Execute and release of protection (write operation to specified SFR) become possible by setting up a double key to EMCCR1 and EMCCR2 register.

( Double key)

1st-KEY : Succession writes in 5AH at EMCCR1 and A5H at EMCCR2

2nd-KEY : Succession writes in A5H at EMCCR1 and 5AH at EMCCR2

A state of protection can be confirmed by reading EMCCR0<PROTECT>.

By reset, protection becomes OFF.

And INTPO interruption occurs when write operation to specified SFR was executed with protection on state.



## (5) Runaway provision with ROM protection register

(Purpose)

Provision in runaway of program by noise mixing.

(Operation explanation)

When writes operation was executed for external three kinds of ROM by runaway of program, INTP1 is occurred and detects runaway function.

Three kinds of ROM is fixed as for Flash-ROM(Option-Program ROM), Data-ROM, Program-ROM are as follows on the logical address memory map.

1. Flash-ROM: Address 400000H to 7FFFFFFH
2. Data-ROM: Address 800000H to BFFFFFFH
3. Program-ROM: Address C00000H-FFFFFFH

For these address, admission / prohibition of detection of write operation sets it up with EMCCR3<ENFROM, ENDROM, ENPROM>. And INTP1 interruption occurred with which ROM area in the case that occurred can confirm each with EMCCR3<FFLAG DFLAG, and PFLAG>. This flag is cleared when write in "0".

3.3.7 Standby controller

(1) Halt Modes

When the HALT instruction is executed, the operating mode switches to Idle2, Idle1 or Stop Mode, depending on the contents of the SYSCR2<HALTM1,HALTM0> register.

The subsequent actions performed in each mode are as follows:

① IDLE2: Only the CPU halts.

The internal I/O is available to select operation during IDLE2 mode.by setting the following register.

Table 3.3 2 Shows the registers of setting operation during IDLE2 mode.

Table 3.3.2 SFR seting operation during IDLE2 mode

Internal I/O	SFR
TMRA01	TA01RUN<I2TA01>
TMRA23	TA23RUN<I2TA23>
TMRB0	TBORUN<I2TB0>
SIO0	SC0MOD1<I2S0>
SIO1	SC1MOD1<I2S1>
A/D converter	ADMOD1<I2AD>
WDT	WDMOD<I2WDT>
SBI	SBI0BR1<I2SBI0>

② Idle1: Only the oscillator and the RTC (real-time clock) continue to operate.

③ Stop: All internal circuits stop operating.

The operation of each of the different Halt Modes is described in Table 3.3.3.

Table 3.3.3 I/O operation during Halt Modes

Halt Mode		IDLE2	IDLE1	STOP
SYSCR2 <HALTM1:0>		11	10	01
Block	CPU	Stop		
	I/O ports	Keep the state when the HALT instruction was executed.	See table 3.3.6	
	TMRA,TMRB0	Available to select operation block	Stop	
	SIO, SBI			
	A/D converter			
	WDT			
	LCDC,SDRAMC Interrupt controller	Operate	Operational available	
	RTC,MLD			

(2) How to release the Halt mode

These HALT states can be released by resetting or requesting an interrupt. The halt release sources are determined by the combination between the states of interrupt mask register <IFF2-0> and the halt modes. The details for releasing the HALT status are shown in Table 3.3 4.

- Released by requesting an interrupt

The operating released from the halt mode depends on the interrupt enabled status. When the interrupt request level set before executing the HALT instruction exceeds the value of interrupt mask register, the interrupt due to the source is processed after releasing the halt mode, and CPU status executing an instruction that follows the HALT instruction. When the interrupt request level set before executing the HALT instruction is less than the value of the interrupt mask register, releasing the halt mode is not executed. (in non-maskable interrupts, interrupt processing is processed after releasing the halt mode regardless of the value of the mask register.) However only for INTO~INT4 and RTC interrupts, even if the interrupt request level set before executing the HALT instruction is less than the value of the interrupt mask register, releasing the the halt mode is executed. In this case, interrupt processing, and CPU starts executing the instruction next to the HALT instruction, but the interrupt request flag is held at "1".

- Releasing by resetting

Releasing all halt status is executed by resetting.

When the Stop mode is released by RESET, it is necessary enough resetting time (see table 3.3.5) to set the operation of the oscillator to be stable.

When releasing the halt mode by resetting, the internal RAM data keeps the state before the "HALT" instruction is executed. However the other settings contents are initialized. (Releasing due to interrupts keeps the state before the "HALT" instruction is executed.)

Table 3.3.4 Source of Halt state clearance and Halt clearance operation

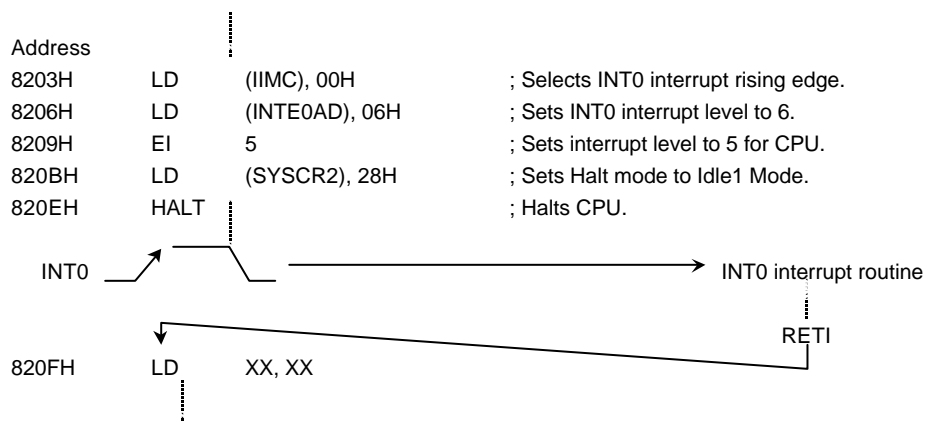
Status of Received Interrupt		Interrupt Enabled (interrupt level) ≥ (interrupt mask)			Interrupt Disabled (interrupt level) < (interrupt mask)			
		Idle2	Idle1	Stop	Idle2	Idle1	Stop	
Source of Halt state clearance	Interrupt	NMI	⊙	⊙	⊙ <sup>*1</sup>	—	—	—
		INTWDT	⊙	×	×	—	—	—
		INT0 to 3 (Note1)	⊙	⊙	⊙ <sup>*1</sup>	○	○	○ <sup>*1</sup>
		INTALM0 to 4	⊙	⊙	×	○	○	×
		INTTA0 to 3, INTTB00 to 01	⊙	×	×	×	×	×
		INTRX0 to 2, TX0 to 2	⊙	×	×	×	×	×
		INTSS0 to 2	⊙	×	×	×	×	×
		INTAD	⊙	×	×	×	×	×
		INTKEY	⊙	⊙	⊙ <sup>*1</sup>	○	○	○ <sup>*1</sup>
		INTRTC	⊙	⊙	×	○	○	×
		INTSBI	⊙	×	×	×	×	×
		INTLCD	⊙	×	×	×	×	×
	RESET	⊙	⊙	⊙	⊙	⊙	⊙	

- ⊙: After clearing the Halt mode, CPU starts interrupt processing. (RESET initializes the microcont.)
- : After clearing the Halt mode, CPU resumes executing starting from instruction following the HALT instruction.
- ×: It can not be used to release the halt mode.
- : The priority level (interrupt request level) of non-maskable interrupts is fixed to 7, the highest priority level. There is not this combination type.
- \*1: Releasing the halt mode is executed after passing the warming-up time.

Note 1: When the Halt mode is cleared by an INT0 interrupt of the level mode in the interrupt enabled status, hold level H until starting interrupt processing. If level L is set before holding level L, interrupt processing is correctly started.

(Example - clearing Idle1 Mode)

An INT0 interrupt clears the Halt state when the device is in Idle1 Mode.



(3) Operation

IDLE2 Mode

In Idle2 Mode only specific internal I/O operations, as designated by the Idle2 Setting Register, can take place. Instruction execution by the CPU stops.

Figure 3.3 6 illustrates an example of the timing for clearance of the Idle2 Mode Halt state by an interrupt.

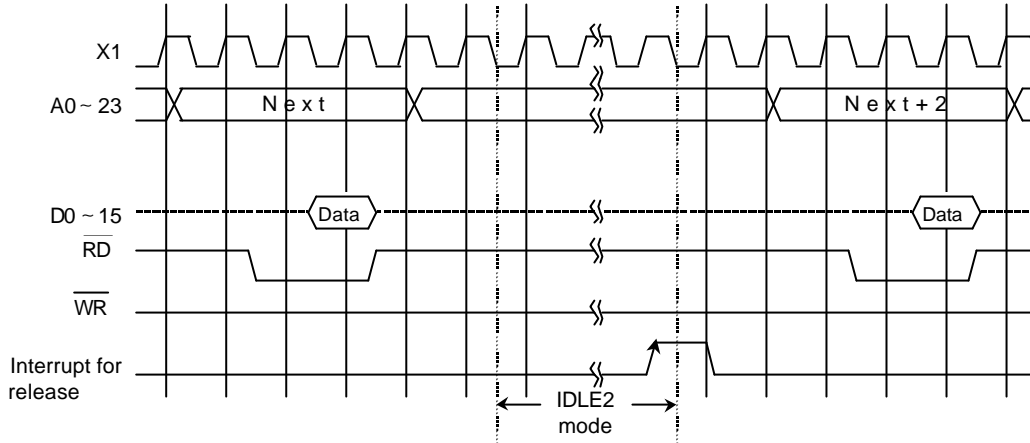


Figure 3.3.6 Timing chart for Idle2 Mode Halt state cleared by interrupt

Idle1 Mode

In Idle1 Mode, only the internal oscillator and the RTC,MLD continue to operate. The system clock in the MCU stops. The pin status in the IDLE1 mode is depended on setting the register SYSCR2<SELDRV,DRVE>. Table 3.3 6 summarizes the state of these pins in the IDLE mode1.

In the Halt state, the interrupt request is sampled as synchronously with the system clock; however, clearance of the Halt state (i.e. restart of operation) is synchronous with it.

Figure 3.3 7 illustrates the timing for clearance of the Idle1 Mode Halt state by an interrupt.

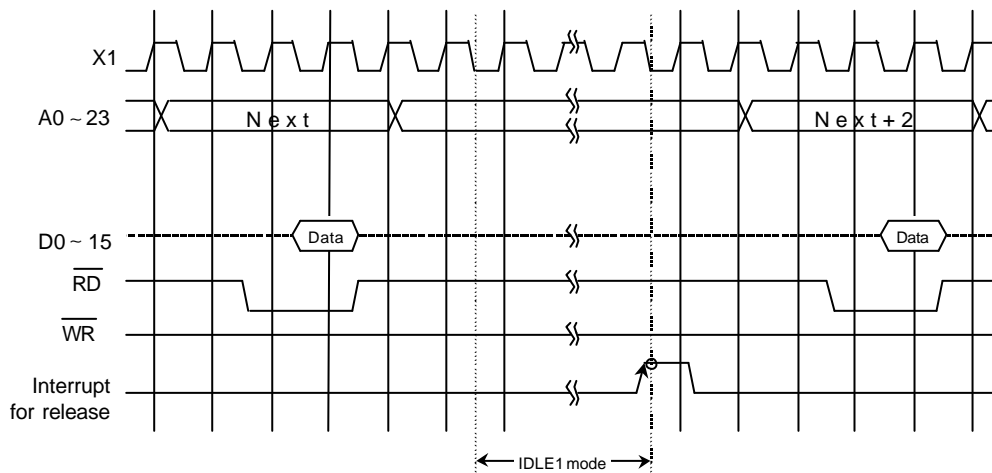


Figure 3.3.7 Timing chart for Idle1 Mode Halt state cleared by interrupt

Stop Mode

When Stop Mode is selected, all internal circuits stop, including the internal oscillator. Pin status in Stop Mode depends on the settings in the SYSCR2<DRVE> register. Table 3.3.6 summarizes the state of these pins in Stop Mode.

After Stop Mode has been cleared system clock output starts when the warm-up time has elapsed, in order to allow oscillation to stabilize. After Stop Mode has been cleared, either Normal Mode or Slow Mode can be selected using the SYSCR0<RSYSCK> register. Therefore, <RSYSCK>, <RXEN> and <RXTEN> must be set. See the sample warm-up times in Table 3.3.5.

Figure 3.3.8 illustrates the timing for clearance of the Stop Mode Halt state by an interrupt.

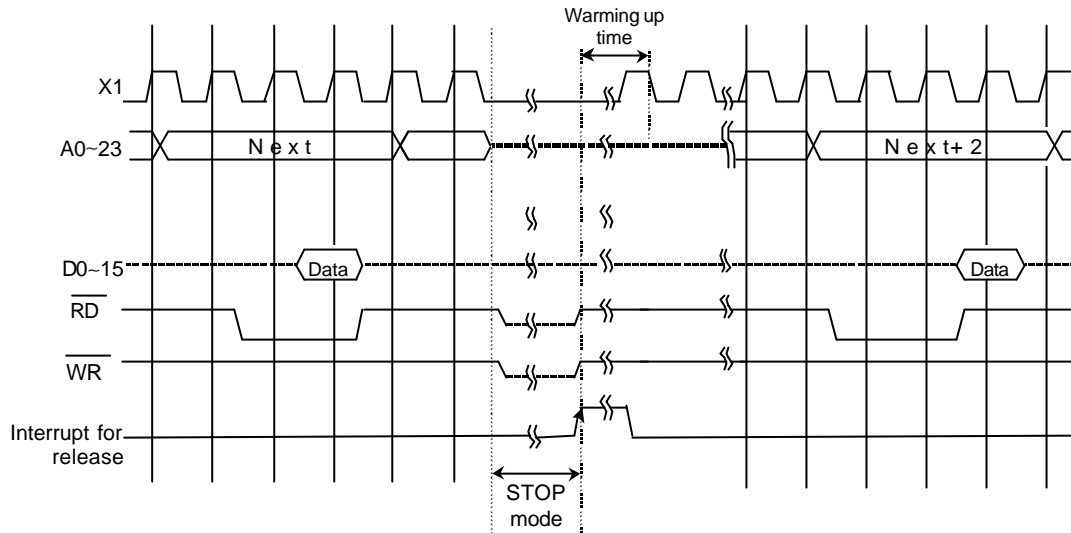


Figure 3.3.8 Timing chart for Stop Mode Halt state cleared by interrupt

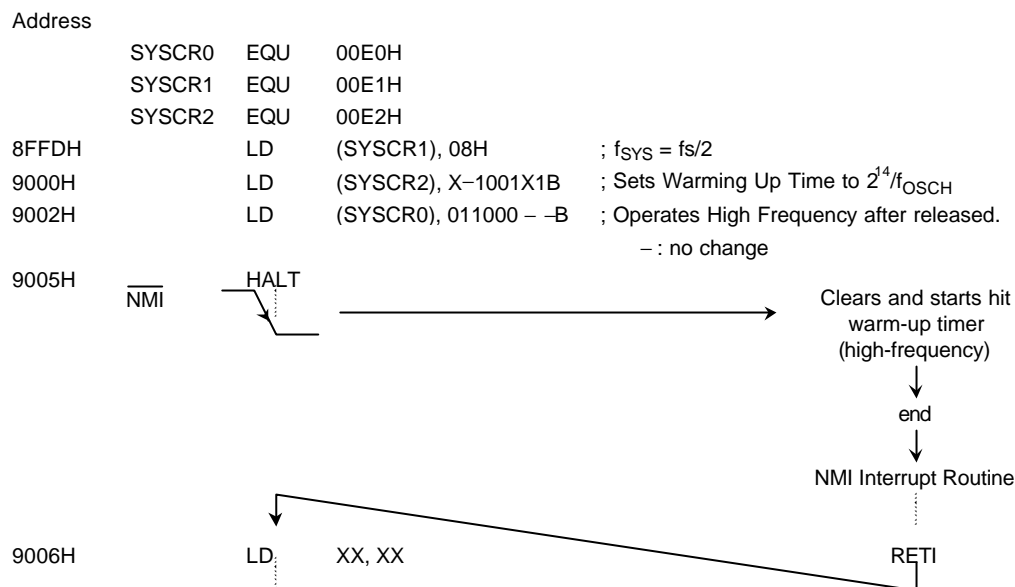
Table 3.3.5 Sample warm-up times after clearance of Stop Mode

@f<sub>OSCH</sub> =16 MHz, f<sub>s</sub> =32.768 kHz

SYSCR0 <RSYSCK>	SYSCR2<WUPTM1,WUPTM0>		
	01 (2 <sup>8</sup> )	10 (2 <sup>14</sup> )	11 (2 <sup>16</sup> )
0 (fc)	16 μs	1.024 ms	4.096 ms
1 (fs)	7.8 ms	500 ms	2000 ms

(Setting Example)

The Stop mode is entered when the low frequency operates, and high frequency operates after releasing due to NMI.



Note: When different modes are used before and after STOP mode as the above mentioned , there is possible to release the HALT mode without changing the operation mode by acceptance of the halt release interrupt request during execution of “HALT” instruction (during 8 state).In the system which accepts the interrupts during execution ”HALT” instruction, set the same operation mode before and after the STOP mode.

Table 3.3.6 Pin states in IDLE1/Stop Mode

Pin name	input/output	<DRVE> = 0	<DRVE> = 1
P00 to P07(D0 to 7)	Input mode	–	–
	Output mode	–	Output
	I/O	–	–
P10 to 17(D8 to 15)	Input mode	–	–
	Output mode	–	Output
	I/O	–	–
P20 to 27(A16 to 23), P30 to 37(A8 to 15), P40 to 47(A0 to 7)	Output pin	–	Output
PZ0( $\overline{RD}$ ),PZ1( $\overline{WR}$ )	Output pin	–	‘1’ output
PZ2,PZ3,P56	Input mode	–	Input
	Output mode	–	Output
P60 to P67	Output pin	–	Output
P70 to P77	Input mode	–	Input
	Output mode	–	Output
P80 to P87	Input pin	–	–
P90 to P97	Input pin	Input	Input
PA0 to PA7	Output pin	–	Output
PB0,PB1,PC0–PC5	Input mode	–	Input
	Output mode	–	Output
PB3 to PB6	Input mode	Input	Input
	Output mode	–	Output
PD0 to PD4,PD6,PD7	output pin	–	Output
PE0 to PE7	Input mode	–	Input
	Output mode	–	Output
PF0 to PF7	output pin	–	Output
$\overline{NMI}$	Input pin	Input	Input
$\overline{RESET}$	Input	Input	Input
AM0, AM1	Input	Input	Input
X1,XT2	Input	IDLE1	Input
		STOP	–
X2,XT2	Output	IDLE1	Output
		STOP	“H” Level output

– : Input for input mode/input pin is invalid; output mode/output pin is at high impedance.

Input: Input gate in operation. Fix input voltage to “L” or “H” so that input pin stays constant.

Output: Output state

PU\*: Programmable pull-up pin. Input gate disabled state. No through-current even if the pin is set to high impedance.

Note: In case of, PF5 to SDCKE setting and it shift to IDLE1/STOP mode during Self Refresh mode, SDCKE output maintain even anything <DRVE> bit data.



### 3.4 Interrupts

Interrupts are controlled by the CPU Interrupt Mask Register SR<IFF2:0> and by the built-in interrupt controller.

The TMP91C820A has a total of 43 interrupts divided into the following five types:

- |  |
|--|
| <ul style="list-style-type: none"> <li>• Interrupts generated by CPU: 9 sources<br/>(Software interrupts, Illegal Instruction interrupt)</li> <li>• Internal interrupts: 28 sources</li> <li>• Interrupts on external pins (<math>\overline{\text{NMI}}</math> and INT0 to INT3, INTKEY): 6 sources</li> </ul> |
|--|

A (fixed) individual interrupt vector number is assigned to each interrupt.

One of seven (variable) priority levels can be assigned to each maskable interrupt.

The priority level of non-maskable interrupts is fixed at 7, the highest level.

When an interrupt is generated, the interrupt controller sends the priority of that interrupt to the CPU. If multiple interrupts are generated simultaneously, the interrupt controller sends the interrupt with the highest priority to the CPU. (The highest priority possible is level 7, used for non-maskable interrupts.)

The CPU compares the priority level of the interrupt with the value of the CPU interrupt mask register <IFF2:0>. If the priority level of the interrupt is higher than the value of the interrupt mask register, the CPU accepts the interrupt.

However, software interrupts and illegal instruction interrupts generated by the CPU are processed without comparison with the <IFF2:0> value.

The interrupt mask register <IFF2:0> value can be updated using the value of the EI instruction (executing EI num sets the content of <IFF2:0> to num). For example, specifying EI3 enables the acceptance of maskable interrupts whose priority level set in the interrupt controller is 3 or higher, and enables the acceptance of non-maskable interrupts. However, if EI or EI0 is specified, maskable interrupts with a priority level of 1 or higher and non-maskable interrupts are accepted (operationally identical to "EI"1).

Operationally, the DI instruction (<IFF2:IFF0> is 7) is identical to the EI 7 instruction, but as the priority level of maskable interrupts is 0 to 6, the DI instruction is used to disable maskable interrupt. The EI instruction is valid immediately after execution begins. (With TLCS-90, the EI instruction is valid after execution of the instruction following the EI instruction.)

In addition to the general-purpose interrupt processing mode described above, TLCS-90/L1 interrupts have a micro DMA processing mode as well.

Because the CPU transfers (byte transfer, or 4-byte transfer) automatically in micro DMA mode, this mode can be used for speeding up interrupt processing, such as transferring data to I/O. TMP91C820A also has a micro DMA soft start function for requesting micro DMA processing by software not by interrupt.

Figure 3.4.1 shows the overall interrupt processing flow.

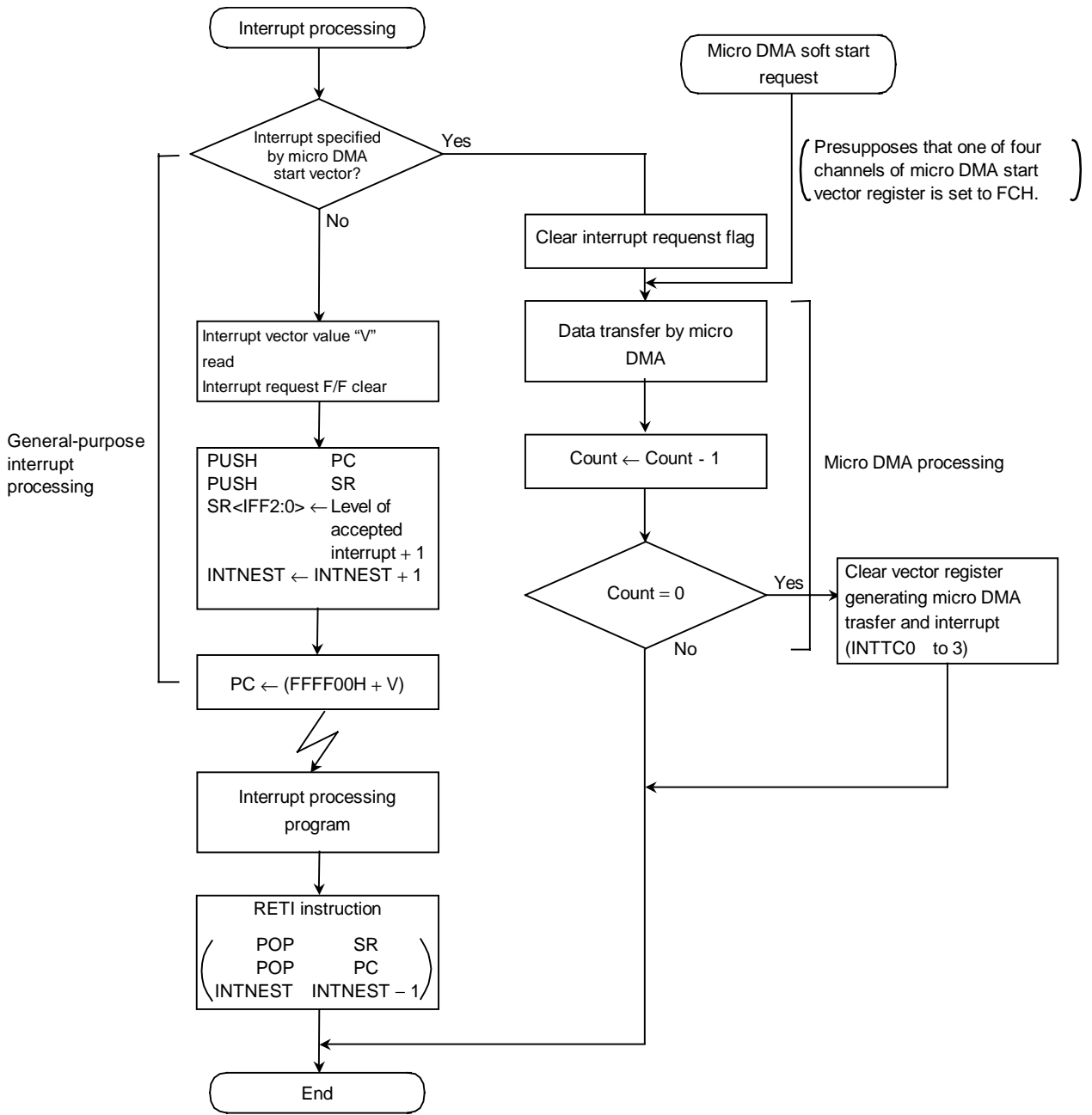


Figure 3.4.1 Interrupt and micro DMA processing sequence

### 3.4.1 General-purpose interrupt processing

When the CPU accepts an interrupt, it usually performs the following sequence of operations. However, in the case of software interrupts and Illegal Instruction interrupts generated by the CPU, the CPU skips steps ① and ③ and executes only steps ②, ④ and ⑤.

- ① The CPU reads the interrupt vector from the interrupt controller.  
If there are simultaneous interrupts set to same level, the interrupt controller generates an interrupt vector in accordance with the default priority and clears the interrupt request.  
(The default priority is already fixed for each interrupt: the smaller the vector value, the higher the priority level.)
- ② The CPU pushes the Program Counter (PC) and Status Register (SR) onto the top of the stack (pointed to by XSP).
- ③ The CPU sets the value of the CPU's Interrupt Mask Register <IFF2:IFF0> to the priority level for the accepted interrupt plus 1. However, if the priority level for the accepted interrupt is 7, the register's value is set to 7.
- ④ The CPU increments the interrupt nesting counter INTNEST by 1.
- ⑤ The CPU jumps to the address indicated by the data at address FFFF00H + interrupt vector, and starts the interrupt processing routine.

When the CPU completed the interrupt processing, use the RETI instruction to return to the main routine. RETI restores the contents of the Program Counter and the Status Register from the stack and decrements the Interrupt Nesting counter INTNEST by 1.

Non-maskable interrupts cannot be disabled by a user program. Maskable interrupts, however, can be enabled or disabled by a user program. A program can set the priority level for each interrupt source. (A priority level setting of 0 or 7 will disable an interrupt request.)

If an interrupt request is received for an interrupt with a priority level equal to or greater than the value set in the CPU Interrupt Mask Register <IFF2:IFF0>, the CPU will accept the interrupt. The CPU Interrupt Mask Register <IFF2:IFF0> is then set to the value of the priority level for the accepted interrupt plus 1.

If, during interrupt processing, an interrupt is generated with a higher level than the interrupt begin currently processed, or if, during non-maskable interrupt processing, a non-maskable interrupt request is generated from another source, the CPU suspends the currently processing routine and accepts the later interrupt. Then, after the CPU finished processing the later interrupt, the CPU returns to the interrupt it previously suspended and resumes processing.

If the CPU receives a request for another interrupt while performing processing steps ① to ⑤, the second interrupt is sampled immediately after execution of the first instruction for its interrupt processing routine. Specifying DI as the start instruction disables maskable interrupt nesting. (Note: In the 900 and 900/L, sampling is performed before execution of the start instruction.)

A Reset initializes the Interrupt Mask Register <IFF2:IFF0> to 111, disabling all maskable interrupts.

Table 3.4.1 shows the TMP91C820A interrupt vectors and micro DMA start vectors. FFFF00H to FFFFFFFH (256 bytes) is designated as the interrupt vector area.

Table 3.4.1 TMP91C820A interrupt vectors and micro DMA start vectors

Default Priority	Type	Interrupt source and source of micro DMA request	Vector value(V)	Vector reference Address	Micro DMA start vector
1	Non-Maskable	"Reset" or 「SWI 0」 instruction	0000H	FFFF00H	-
2		「SWI 1」 instruction	0004H	FFFF04H	-
3		INTUNDEF: illegal instruction or 「SWI 2」 instruction	0008H	FFFF08H	-
4		「SWI 3」 instruction	000CH	FFFF0CH	-
5		「SWI 4」 instruction	0010H	FFFF10H	-
6		「SWI 5」 instruction	0014H	FFFF14H	-
7		「SWI 6」 instruction	0018H	FFFF18H	-
8		「SWI 7」 instruction	001CH	FFFF1CH	-
9		NMI pin	0020H	FFFF20H	-
10		INTWD: Watchdog timer	0024H	FFFF24H	-
-	Maskable	(Micro DMA)	-	-	-
11		INT0 pin	0028H	FFFF28H	0AH
12		INT1 pin	002CH	FFFF2CH	0BH
13		INT2 pin	0030H	FFFF30H	0CH
14		INT3 pin	0034H	FFFF34H	0DH
15		INTALM0: ALM0(8KHz)	0038H	FFFF38H	0EH
16		INTALM1: ALM1(512Hz)	003CH	FFFF3CH	0FH
17		INTALM2: ALM2(64Hz)	0040H	FFFF40H	10H
18		INTALM3: ALM3(2Hz)	0044H	FFFF44H	11H
19		INTALM4: ALM4(1Hz)	0048H	FFFF48H	12H
20		INTTA0 : 8 bit timer0	004CH	FFFF4CH	13H
21		INTTA1 : 8 bit timer1	0050H	FFFF50H	14H
22		INTTA2 : 8 bit timer2	0054H	FFFF54H	15H
23		INTTA3 : 8 bit timer3	0058H	FFFF58H	16H
24		INTRX0 : serial receives (channel. 0)	005CH	FFFF5CH	17H
25		INTTX0 : serial transmission (channel. 0)	0060H	FFFF60H	18H
26		INTRX1 : serial receives (channel. 1)	0064H	FFFF64H	19H
27		INTTX1 : serial transmission (channel. 1)	0068H	FFFF68H	1AH
28		INTAD : A/D conversion end	006CH	FFFF6CH	1BH
29		INTKEY : Key wake up	0070H	FFFF70H	1CH
30		INTRTC : RTC (alarm interrupt)	0074H	FFFF74H	1DH
31		INTSBI : SBI interrupt	0078H	FFFF78H	1EH
32		INTLCD : LCD/LP pin	007CH	FFFF7CH	1FH
33		INTP0 : Protect0 (WR to special SFR)	0080H	FFFF80H	20H
34		INTP1 : Protect1 (WR to ROM)	0084H	FFFF84H	21H
35		INTTC0 : Micro DMA end (channel. 0)	0088H	FFFF88H	--
36		INTTC1 : Micro DMA end (channel. 1)	008CH	FFFF8CH	--
37		INTTC2 : Micro DMA end (channel. 2)	0090H	FFFF90H	--
38		INTTC3 : Micro DMA end (channel. 3)	0094H	FFFF94H	--
39		INTRX2 : serial receive (channel. 2)	00A4H	FFFA4H	29H
40		INTTX2 : serial transmission (channel. 2)	00A8H	FFFA8H	2AH
41		INTTB00 : 16bit timer0 (TBORG0)	00ACH	FFFAACH	2BH
42	INTTB01 : 16bit timer1 (TBORG1)	00B0H	FFFB0H	2CH	
	(Reserved)	00B4H	FFFB4H	-	
	:	:	:	:	
	(Reserved)	00FCH	FFFFFCH	-	

### 3.4.2 Micro DMA processing

In addition to general-purpose interrupt processing, the TMP91C820A supports a micro DMA function. Interrupt requests set by micro DMA perform micro DMA processing at the highest priority level for maskable interrupts (level 6), regardless of the priority level of the particular interrupt source. Because the micro DMA function has been implemented with the cooperative operation of CPU, when CPU is a state of stand-by by HALT instruction, the requirement of micro DMA will be ignored (pending).

#### (1) Micro DMA operation

When an interrupt request is generated by an interrupt source specified by the micro DMA start vector register, the micro DMA triggers a micro DMA request to the CPU at interrupt priority level 6 and starts processing the request. The four micro DMA channels allow micro DMA processing to be set for up to four types of interrupts at any one time.

When micro DMA is accepted, the interrupt request flip-flop assigned to that channel is cleared. The data are automatically transferred from the transfer source address to the transfer destination address set in the control register, and the transfer counter is decremented by 1. If the decremented counter reads other than 0, DMA processing ends with no change in the value of the micro DMA start vector register. If the decremented reading is 0, the micro DMA transfer end interrupt (INTTC0 to INTTC3) passes from the CPU to the interrupt controller. In addition, the micro DMA start vector register is cleared to 0, the next micro DMA is disabled and micro DMA processing completes.

If a micro DMA request is set for more than one channel at a time, the priority is not based on the interrupt priority level but on the channel number: the smaller the channel number the higher the priority (Channel 0 (high) → channel 3 (low)).

If an interrupt request is triggered for the interrupt source in use during the interval between the clearing of the micro DMA start vector and the next setting, general-purpose interrupt processing executes at the interrupt level set. Therefore, if only using the interrupt for starting the micro DMA (not using the interrupts as a general-purpose interrupt), first set the interrupt level to 0 (interrupt requests disabled).

If using micro DMA and general-purpose interrupts together as described above, first set the level of the interrupt used to start micro DMA processing lower than all the other interrupt levels. In this case, the cause of general interrupt is limited to the edge interrupt.

Example: When using external interrupt INT0-3 to start micro DMA0-3 set:

```
Interrupt level for external interrupts INT0 to INT3 ..... 1
Interrupt levels for other interrupts ..... 2 to 6
```

As with other maskable interrupts, the priority of the micro DMA transfer end interrupts is determined by the interrupt level and by the default priority.

While the register for setting the transfer source/transfer destination addresses is a 32-bit control register, this register can only effectively output 24-bit addresses. Accordingly, micro DMA can access 16M bytes (the upper eight bits of the 32 bits are not valid).

Three micro DMA transfer modes are supported: 1-byte transfer, 2-byte (one-word) transfer, and 4-byte transfer. After a transfer in any mode, the transfer source / destination addresses are incremented, decremented, or remain unchanged.

This simplifies the transfer of data from I/O to memory, from memory to I/O, and from I/O to I/O. For details of the transfer modes, see 3.4.2 (4), Transfer Mode Register. As the transfer counter is a 16-bit counter, micro DMA processing can be set for up to 65536 times per interrupt source. (The micro DMA processing count is maximized when the transfer counter initial value is set to 0000H.)

Micro DMA processing can be started by the 31 interrupts shown in the micro DMA start vectors of Table 3.4(1) and by the micro DMA soft start, making a total of 32 interrupts.

Figure 3.4(2) shows the word transfer micro DMA cycle in transfer destination address INC mode (except for Counter mode, the same as for other modes).

(The conditions for this cycle are based on an external 16-bit bus, 0 waits, transfer source/transfer destination addresses both even-numbered values).

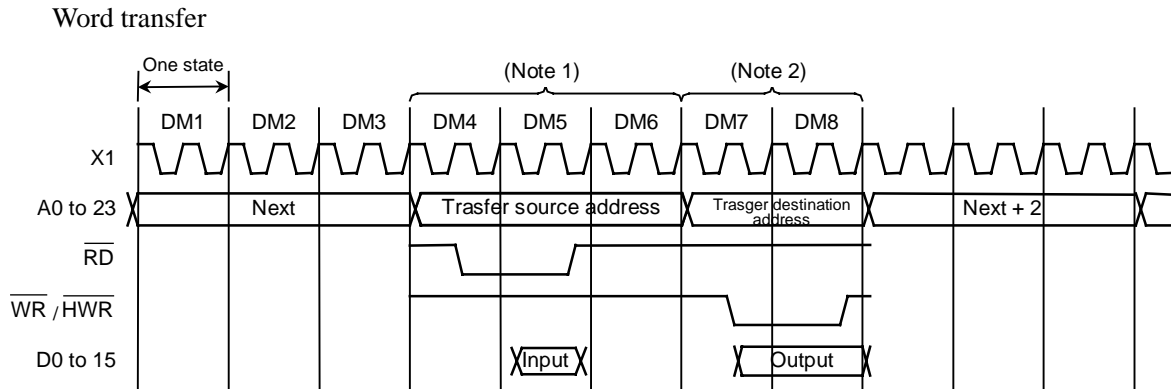


Figure 3.4.2 Timing for micro DMA cycle

States 1 to 3: Instruction fetch cycle (gets next address code).

If three or more instruction codes are inserted in the instruction queue buffer, this cycle becomes a dummy cycle.

States 4 to 5: Micro DMA Read cycle

State 6: Dummy cycle (the address bus remains unchanged from state 5)

States 7 to 8: Micro DMA Write cycle

Note 1: If the source address area is an 8-bit bus, it is incremented by two states.

If the source address area is a 16-bit bus and the address starts from an odd number, it is incremented by two states.

Note 2: If the destination address area is an 8-bit bus, it is incremented by two states.

If the destination address area is a 16-bit bus and the address starts from an odd number, it is incremented by two states.

(2) Soft start function

In addition to starting the micro DMA function by interrupts, TMP91C820A includes a micro DMA software start function that starts micro DMA on the generation of the write cycle to the DMAR register.

Writing “1” to each bit of DMAR register causes micro DMA once. At the end of transfer, the bit of the DMAR register which support the end channel are automatically cleared to “0”.

Only one-channel can be set for DMA request at once. (Do not write “1” to more than one bit.)

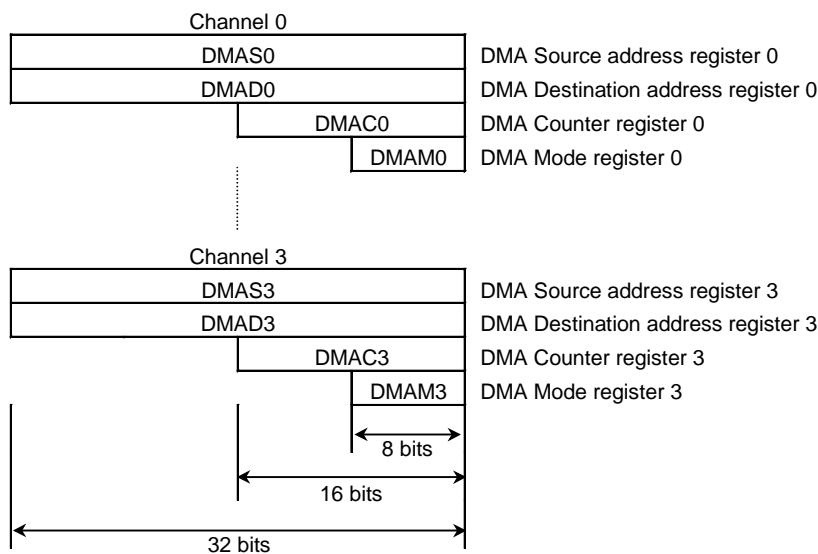
When writing again “1” to the DMAR register, check whether the bit is “0” before writing “1”.

When a burst is specified by DMAB register, data is continuously transferred until the value in the micro DMA transfer counter is “0” after start up of the micro DMA.

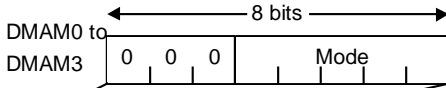
Symbol	NAME	Address	7	6	5	4	3	2	1	0
DMAR	DMA Request Register	89h (no RMW)	DMA Request							
							DMAR3	DMAR2	DMAR1	DMAR0
			R/W							
							0	0	0	0

(3) Transfer control registers

The transfer source address and the transfer destination address are set in the following registers. An instruction of the form “LDC cr,r” can be used to set these registers.



(4) Detailed description of the Transfer Mode Register



Note: When setting a value in this register, write 0 to the upper three bits.

		Number of Transfer Bytes	Mode Description	Number of Execution States ( )	Minimum Execution Time @ fc = 16 MHz
000 (fixed)	000	00	Byte transfer Transfer Destination Address INC Mode ..... I/O to memory (DMADn+) ← (DMASn)	8 states	1000 ns
		01	Word transfer DMACn ← DMACn - 1 If DMACn = 0, then INTTCn is generated.	12 sates	1500 ns
		10	4-byte transfer		
	001	00	Byte transfer Transfer Destination Address DEC Mode ..... I/O to memory (DMADn-) ← (DMASn)	8 states	1000 ns
		01	Word transfer DMACn ← DMACn - 1 If DMACn = 0, then INTTCn is generated.	12 sates	1500 ns
		10	4-byte transfer		
	010	00	Byte transfer Transfer Source Address INC Mode ..... Memory to I/O (DMADn) ← (DMASn+)	8 states	1000 ns
		01	Word transfer DMACn ← DMACn - 1 If DMACn = 0, then INTTCn is generated.	12 sates	1500 ns
		10	4-byte transfer		
	011	00	Byte transfer Transfer Source Address DEC Mode ..... Memory to I/O (DMADn) ← (DMASn-)	8 states	1000 ns
		01	Word transfer DMACn ← DMACn - 1 If DMACn = 0, then INTTCn is generated.	12 sates	1500 ns
		10	4-byte transfer		
100	00	Byte transfer Fixed Address Mode ..... I/O to I/O (DMADn) ← (DMASn-)	8 states	1000 ns	
	01	Word transfer DMACn ← DMACn - 1 If DMACn = 0, then INTTCn is generated.	12 sates	1500 ns	
	10	4-byte transfer			
101	00	Counter Mode ..... For counting number of times interrupt is generated DMASn ← DMASn + 1 DMACn ← DMACn - 1 If DMACn = 0, then INTTCn is generated.	5 sates	625 ns	

(\*) For external 16-bit bus, 0 waits, word /4-byte transfer mode, transfer source/transfer destination addresses both have even-numbered values.

Note: n Corresponding micro DMA channels 0 to 3

DMADn +/DMASn+: Post-increment (increments register value after transfer)

DMADn -/DMASn-: Post-decrement (decrements register value after transfer)

The I/Os in the table mean fixed address; memory means increment and decrement addresses.

Do not use undefined code, that is, codes other than those listed above for the transfer mode register.



### 3.4.3 Interrupt controller operation

The block diagram in Figure 3.4.3 shows the interrupt circuits. The left-hand side of the diagram shows the interrupt controller circuit. The right-hand side shows the CPU interrupt request signal circuit and the halt release circuit.

For each of the 36 interrupt channels there is an interrupt request flag (consisting of a flip-flop), an interrupt priority setting register and a micro DMA start vector register. The interrupt request flag latches interrupt requests from the peripherals. The flag is cleared to zero in the following cases: when reset occurs, when the CPU reads the channel vector of an interrupt it has received, when the CPU receives a micro DMA request (when micro DMA is set), when the micro DMA burst transfer is terminated, and when an instruction that clears the interrupt for that channel is executed (by writing "0" to the clear bit in the interrupt priority setting register).

An interrupt priority can be set independently for each interrupt source by writing the priority to the interrupt priority setting register (e.g. INTE0AD or INTE12). Six interrupt priorities levels (1 to 6) are provided. Setting an interrupt source's priority level to 0 (or 7) disables interrupt requests from that source. The priority of non-maskable interrupts (NMI pin interrupts and Watchdog Timer interrupts) is fixed at 7. If interrupt request with the same level are generated at the same time, the default priority (the interrupt with the lowest priority or, in other words, the interrupt with the lowest vector value) is used to determine which interrupt request is accepted first.

The 3rd and 7th bits of the interrupt priority setting register indicate the state of the interrupt request flag and thus whether an interrupt request for a given channel has occurred.

The interrupt controller sends the interrupt request with the highest priority among the simultaneous interrupts and its vector address to the CPU. The CPU compares the priority value <IFF2 to 0> in the Status Register by the interrupt request signal with the priority value set; if the latter is higher, the interrupt is accepted. Then the CPU sets a value higher than the priority value by 1 in the CPU SR <IFF2 to 0>. Interrupt request where the priority value equals or is higher than the set value are accepted simultaneously during the previous interrupt routine.

When interrupt processing is completed (after execution of the RETI instruction), the CPU restores the priority value saved in the stack before the interrupt was generated to the CPU SR <IFF2 to 0>. The interrupt controller also has four registers used to store the micro DMA start vector. Writing the start vector of the interrupt source for the micro DMA processing (see Table 3.4.1), enables the corresponding interrupt to be processed by micro DMA processing. The values must be set in the micro DMA parameter register (e.g. DMAS and DMAD) prior to the micro DMA processing.

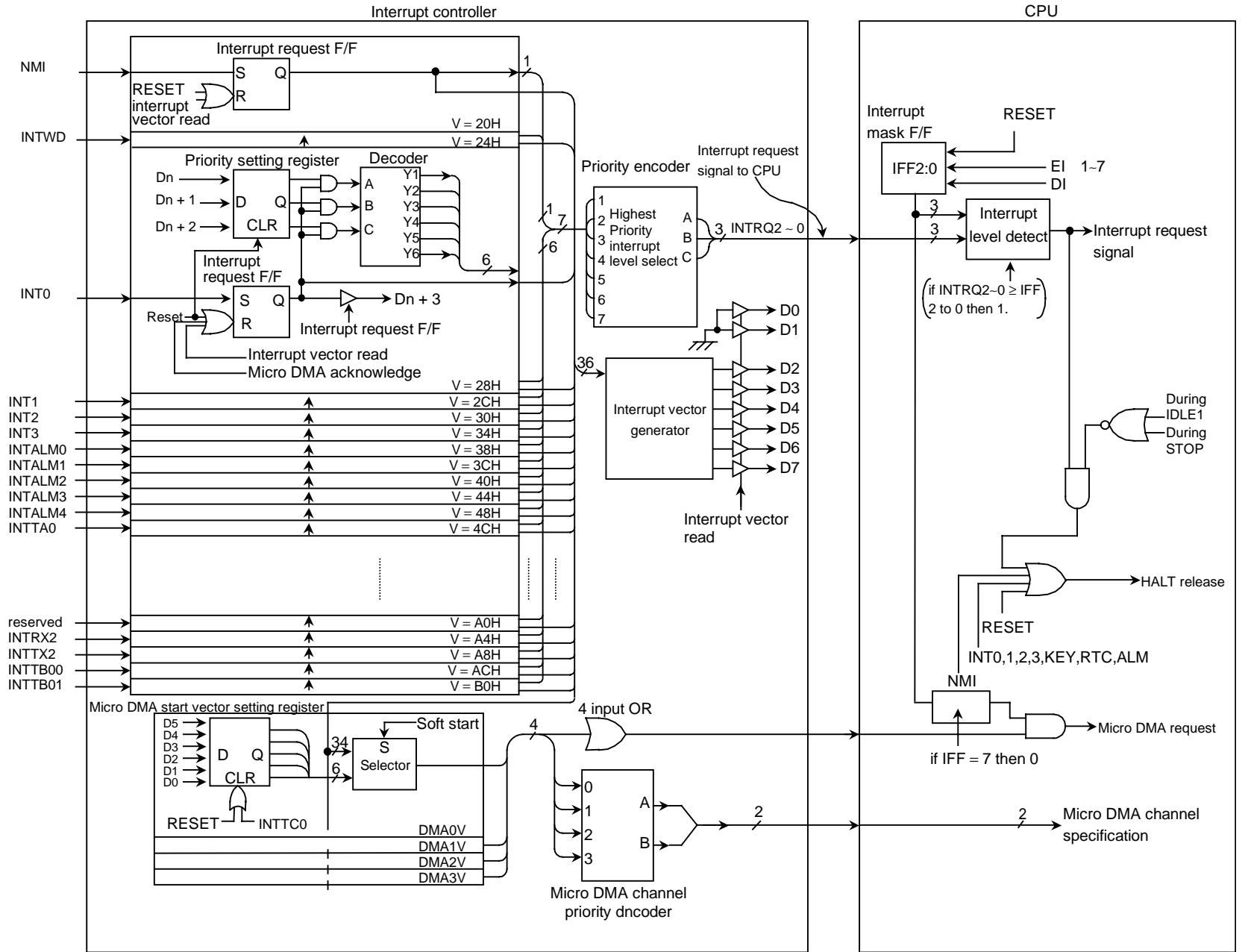
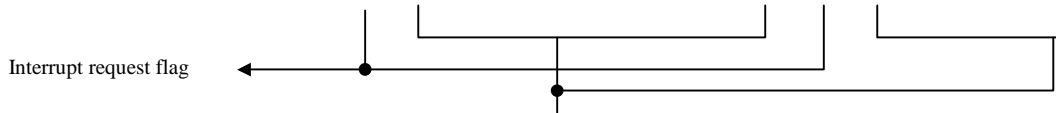


Figure 3.4.3 Block Diagram of Interrupt Controller

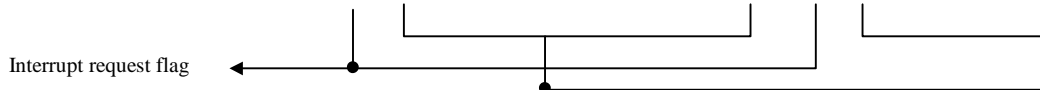
(1) Interrupt level setting registers

Symbol	NAME	Address	7	6	5	4	3	2	1	0
INTE0AD	INT0 & INTAD Enable	90h	INTAD				INT0			
			IADC	IADM2	IADM1	IADM0	I0C	I0M2	I0M1	I0M0
			R	R/W			R	R/W		
			0	0	0	0	0	0	0	0
INTE12	INT1 & INT2 Enable	91h	INT2				INT1			
			I2C	I2M2	I2M1	I2M0	I1C	I1M2	I1M1	I1M0
			R	R/W			R	R/W		
			0	0	0	0	0	0	0	0
INTE3 ALM4	INT3 & INTALM4 Enable	92h	INTALM4				INT3			
			IA4C	IA4M2	IA4M1	IA4M0	I3C	I3M2	I3M1	I3M0
			R	R/W			R	R/W		
			0	0	0	0	0	0	0	0
INTEALM01	INTALM0 & INTALM1 Enable	93h	INTALM1				INTALM0			
			IA1C	IA1M2	IA1M1	IA1M0	IA0C	IA0M2	IA0M1	IA0M0
			R	R/W			R	R/W		
			0	0	0	0	0	0	0	0
INTEALM23	INTALM2 & INTALM3 Enable	94h	INTALM3				INTALM2			
			IA3C	IA3M2	IA3M1	IA3M0	IA2C	IA2M2	IA2M1	IA2M0
			R	R/W			R	R/W		
			0	0	0	0	0	0	0	0
INTEA01	INTTA0 & INTTA1 Enable	95h	INTTA1(TMRA1)				INTTA0(TMRA0)			
			ITA1C	ITA1M2	ITA1M1	ITA1M0	ITA0C	ITA0M2	ITA0M1	ITA0M0
			R	R/W			R	R/W		
			0	0	0	0	0	0	0	0
INTEA23	INTTA2 & INTTA3 Enable	96h	INTTA3(TMRA3)				INTTA2(TMRA2)			
			ITA3C	ITA3M2	ITA3M1	ITA3M0	ITA2C	ITA2M2	ITA2M1	ITA2M0
			R	R/W			R	R/W		
			0	0	0	0	0	0	0	0
INTERTC KEY	INTRTC & INTKEY Enable	97h	INTKEY				INTRTC			
			IKC	IKM2	IKM1	IKM0	IRC	IRM2	IRM1	IRM0
			R	R/W			R	R/W		
			0	0	0	0	0	0	0	0
INTES0	Interrupt Enable Serial 0	98H	INTTX0				INTRX0			
			ITX0C	ITX0M2	ITX0M1	ITX0M0	IRX0C	IRX0M2	IRX0M1	IRX0M0
			R	R/W			R	R/W		
			0	0	0	0	0	0	0	0



IxxM2	IxxM1	IxxM0	Function (Write)
0	0	0	Disables interrupt requests
0	0	1	Sets interrupt priority level to 1
0	1	0	Sets interrupt priority level to 2
0	1	1	Sets interrupt priority level to 3
1	0	0	Sets interrupt priority level to 4
1	0	1	Sets interrupt priority level to 5
1	1	0	Sets interrupt priority level to 6
1	1	1	Disables interrupt requests

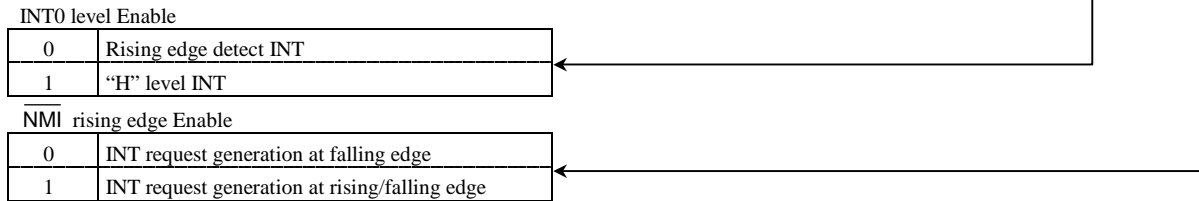
Symbol	NAME	Address	7	6	5	4	3	2	1	0
INTES1	INTRX1 & INTTX1 Enable	99H	INTTX1				INTRX1			
			ITXT1C	ITX1M2	ITX1M1	ITX1M0	IRX1C	IRX1M2	IRX1M1	IRX1M0
			R	R/W			R	R/W		
			0	0	0	0	0	0	0	0
INTES2 LCD	INTES2 & INTLCD Enable	9AH	INTLCD				INTS2			
			ILCD1C	ILCDM2	ILCDM1	ILCDM0	IS2C	IS2M2	IS2M1	IS2M0
			R	R/W			R	R/W		
			0	0	0	0	0	0	0	0
INTET C01	INTTC0 & INTTC1 Enable	9BH	INTTC1				INTTC0			
			ITC1C	ITC1M2	ITC1M1	ITC1M0	ITC0C	ITC0M2	ITC0M1	ITC0M0
			R	R/W			R	R/W		
			0	0	0	0	0	0	0	0
INTET C23	INTTC2 & INTTC3 Enable	9CH	INTTC3				INTTC2			
			ITC3C	ITC3M2	ITC3M1	ITC3M0	ITC2C	ITC2M2	ITC2M1	ITC2M0
			R	R/W			R	R/W		
			0	0	0	0	0	0	0	0
INTE P01	INTP0 & INTP1 Enable	9DH	INTP1				INTP0			
			IP1C	IP1M2	IP1M1	IP1M0	IPOC	IP0M2	IP0M1	IP0M0
			R	R/W			R	R/W		
			0	0	0	0	0	0	0	0
INTE SS01	INTSS0 & INTSS1 Enable	9EH	INTSS1				INTSS0			
			ISS1C	ISS1M2	ISS1M1	ISS1M0	ISS0C	ISS0M2	ISS0M1	ISS0M0
			R	R/W			R	R/W		
			0	0	0	0	0	0	0	0
INTE SS2	INTSS2 Enable	9FH					INTSS2			
							ISS2C	ISS2M2	ISS2M1	ISS2M0
							R	R/W		
							0	0	0	0
INTES3	INTRX2 & INTTX2 Enable	A0H	INTTX2				INTRX2			
			ITX2C	ITX2M2	ITX2M1	ITX2M0	IRX2C	IRX2M2	IRX2M1	IRX2M0
			R	R/W			R	R/W		
			0	0	0	0	0	0	0	0
INTETB0	INTTB00 & INTTB01 Enable	A1H	INTTB01				INTTB00			
			ITB1C	ITB1M2	ITB1M1	ITB1M0	ITB0C	ITB0M2	ITB0M1	ITB0M0
			R	R/W			R	R/W		
			0	0	0	0	0	0	0	0



lxxM2	lxxM1	lxxM0	Function (Write)
0	0	0	Disables interrupt requests
0	0	1	Sets interrupt priority level to 1
0	1	0	Sets interrupt priority level to 2
0	1	1	Sets interrupt priority level to 3
1	0	0	Sets interrupt priority level to 4
1	0	1	Sets interrupt priority level to 5
1	1	0	Sets interrupt priority level to 6
1	1	1	Disables interrupt requests

(2) External interrupt control

Symbol	NAME	Address	7	6	5	4	3	2	1	0		
IIMC	Interrupt Input Mode control	8CH (no RMW)		-	I3EDGE	I2EDGE	I1EDGE	I0EDGE	I0LE	NMIREE		
			W									
			0	0	0	0	0	0	0	0		
			Write "0"		INT3EDGE 0: Rising 1: Falling	INT2EDGE 0: Rising 1: Falling	INT1EDGE 0: Rising 1: Falling	INT0EDGE 0: Rising 1: Falling	0: INT0 Edge Mode 1: INT0 Level Mode	1: Operates even on rising / falling edge of $\overline{\text{NMI}}$		



(3) Interrupt request flag clear register

The interrupt request flag is cleared by writing the appropriate micro DMA start vector, as given in Table 3.4 1, to the register INTCLR.

For example, to clear the interrupt flag INT0, perform the following register operation after execution of the DI instruction.

$$\text{INTCLR} \leftarrow 0\text{AH} \text{ Clears interrupt request flag INT0.}$$

Symbol	NAME	Address	7	6	5	4	3	2	1	0		
INTCLR	Interrupt Clear Control	88H (no RMW)			CLR5	CLR4	CLR3	CLR2	CLR1	CLR0		
			W									
			0	0	0	0	0	0	0	0		
			Interrupt Vector									

(4) Micro DMA start vector registers

This register assigns micro DMA processing to an interrupt source. The interrupt source with a micro DMA start vector that matches the vector set in this register is assigned as the micro DMA start source. When the micro DMA transfer counter value reaches zero, the micro DMA transfer end interrupt corresponding to the channel is sent to the interrupt controller, the micro DMA start vector register is cleared, and the micro DMA start source for the channel is cleared. Therefore, to continue micro DMA processing, set the micro DMA start vector register again during the processing of the micro DMA transfer end interrupt.

If the same vector is set in the micro DMA start vector registers of more than one channel; the channel with the lowest number has a higher priority.

Accordingly, if the same vector is set in the micro DMA start vector registers of two channels, the interrupt generated in the channel with the lower number is executed until micro DMA transfer is complete. If the micro DMA start vector for this channel is not set again, the next micro DMA is started for the channel with the higher number. (Micro DMA chaining)

Symbol	NAME	Address	7	6	5	4	3	2	1	0
DMA0V	DMA0 Start Vector	80H	DMA0 Start Vector							
			DMA0V5	DMA0V4	DMA0V3	DMA0V2	DMA0V1	DMA0V0		
		(no RMW)	R/W							
			0	0	0	0	0	0	0	0
DMA1V	DMA1 Start Vector	81H	DMA1 Start Vector							
			DMA1V5	DMA1V4	DMA1V3	DMA0V2	DMA1V1	DMA1V0		
		(no RMW)	R/W							
			0	0	0	0	0	0	0	0
DMA2V	DMA2 Start Vector	82H	DMA2 Start Vector							
			DMA2V5	DMA2V4	DMA2V3	DMA2V2	DMA2V1	DMA2V0		
		(no RMW)	R/W							
			0	0	0	0	0	0	0	0
DMA3V	DMA3 Start Vector	83H	DMA3 Start Vector							
			DMA3V5	DMA3V4	DMA3V3	DMA3V2	DMA3V1	DMA3V0		
		(no RMW)	R/W							
			0	0	0	0	0	0	0	0

(5) Micro DMA burst specification

Specifying the micro DMA burst continues the micro DMA transfer until the transfer counter register reaches zero after micro DMA start. Setting a bit which corresponds to the micro DMA channel of the DMAB registers mentioned below to “1” specifies a burst.

Symbol	NAME	Address	7	6	5	4	3	2	1	0
DMAR	DMA Software Request Register	89H					DMAR3	DMAR2	DMAR1	DMAR0
							R/W	R/W	R/W	R/W
		(no RMW)					0	0	0	0
			1: DMA Software request							
DMAB	DMA Burst Register	8AH					DMAB3	DMAB2	DMAB1	DMAB0
							R/W			
		(no RMW)					0	0	0	0

## (6) Notes

The instruction execution unit and the bus interface unit of this CPU operate independently. Therefore, immediately before an interrupt is generated, if the CPU fetches an instruction that clears the corresponding interrupt request flag, the CPU may execute the instruction that clears the interrupt request flag between accepting and reading the interrupt vector. In this case, the CPU reads the default vector 0008H and reads the interrupt vector address FFFF08H.

To avoid the above program, place instructions that clear interrupt request flags after a DI instruction.

In the case of changing the value of the interrupt mask register <IFF2:0> by execution of POP SR instruction, disable an interrupt by DI instruction before execution of POP SR instruction.

In addition, take care as the following 2 circuits are exceptional and demand special attention.

INT0 Level Mode	<p>In Level Mode INT0 is not an edge-triggered interrupt. Hence, in Level Mode the interrupt request flip-flop for INT0 does not function. The peripheral interrupt request passes through the S input of the flip-flop and becomes the Q output. If the interrupt input mode is changed from Edge Mode to Level Mode, the interrupt request flag is cleared automatically.</p> <p>If the CPU enters the interrupt response sequence as a result of INT0 going from 0 to 1, INT0 must then be held at 1 until the interrupt response sequence has been completed. If INT0 is set to Level Mode so as to release a Halt state, INT0 must be held at 1 from the time INT0 changes from 0 to 1 until the Halt state is released. (Hence, it is necessary to ensure that input noise is not interpreted as a 0, causing INT0 to revert to 0 before the Halt state has been released.)</p> <p>When the mode changes from Level Mode to Edge Mode, interrupt request flags which were set in Level Mode will not be cleared. Interrupt request flags must be cleared using the following sequence.</p> <pre>DI LD (IIMC), 00H; Switches interrupt input mode from Level Mode to Edge Mode. LD (INTCLR), 0AH; Clears interrupt request flag. EI</pre>
INTRX	The interrupt request flip-flop can only be cleared by a Reset or by reading the Serial Channel Receive Buffer. It cannot be cleared by an instruction.

Note: The following instructions or pin input state changes are equivalent to instructions that clear the interrupt request flag.

INT0: Instructions which switch to Level Mode after an interrupt request has been generated in Edge Mode.  
The pin input changes from High to Low after an interrupt request has been generated in Level Mode.  
(H L)

INTRX: Instructions which read the Receive Buffer

### 3.5 Port Functions

The TMP91C820A features 126 bit settings which relate to the various I/O ports.

As well as general-purpose I/O port functionality, the port pins also have I/O functions which relate to the built-in CPU and internal I/Os. Table 3.5.1 lists the functions of each port pin. Table 3.5.2 lists I/O registers and their specifications.

Table 3.5.1 Port functions (1/2) (R:PU= with programmable pull-up resistor)  
(U= with pull-up resistor)

Port name	Pin name	Number of pins	Direction	R	Direction Setting unit	Pin name for built-in function
Port 0	P00 to P07	8	I/O	–	Bit	D0 to D7
Port 1	P10 to P17	8	I/O	–	Bit	D8 to D15
Port 2	P20 to P27	8	I/O	–	Bit	A16 to A23
Port 3	P30 to P37	8	I/O	–	Bit	A8 to A15
Port 4	P40 to P47	8	I/O	–	Bit	A0 to A7
Port Z	PZ0	1	Output	–	Bit	/RD
	PZ1	1	Output	–	Bit	/WR
	PZ2	1	I/O	PU	Bit	/HWR
	PZ3	1	I/O	PU	Bit	R/W,/SRWE
Port 5	P56	1	I/O	PU	Bit	/WAIT
Port 6	P60	1	Output	–	(Fixed)	/CS0
	P61	1	Output	–	(Fixed)	/CS1,/SDCS
	P62	1	Output	–	(Fixed)	/CS2,/CS2A
	P63	1	Output	–	(Fixed)	/CS3
	P64	1	Output	–	(Fixed)	EA24,/CS2B
	P65	1	Output	–	(Fixed)	EA25,/CS2C
	P66	1	Output	–	(Fixed)	/CS2D,/SRLB
	P67	1	Output	–	(Fixed)	/CS2E,/SRUB
Port 7	P70	1	I/O	–	Bit	SCK,OPTRX0
	P71	1	I/O	–	Bit	SO/SDA,OPTTX0
	P72	1	I/O	–	Bit	SI/SCL
	P73	1	I/O	–	Bit	/CS2F
	P74	1	I/O	–	Bit	/CS2G
	P75	1	I/O	–	Bit	/CSEXA
	P76	1	I/O	–	Bit	MSK
	P77	1	I/O	–	Bit	VEECLK
Port 8	P80 to P87	8	Input	–	(Fixed)	AN0 to AN7, /ADTRG (P83)
Port 9	P90 to P97	8	Input	U	(Fixed)	KI0 to KI7
Port A	PA0 to PA7	8	Output	–	(Fixed)	KO0 to KO7
Port B	PB0	1	I/O	–	Bit	TA0IN, TXD2
	PB1	1	I/O	–	Bit	TA1OUT, RXD2
	PB3	1	I/O	–	Bit	INT0
	PB4	1	I/O	–	Bit	INT1
	PB5	1	I/O	–	Bit	INT2, TA3OUT
	PB6	1	I/O	–	Bit	INT3, TB0OUT0
Port C	PC0	1	I/O	–	Bit	TXD0
	PC1	1	I/O	–	Bit	RXD0
	PC2	1	I/O	–	Bit	SCLK0,/CTS0
	PC3	1	I/O	–	Bit	TXD1
	PC4	1	I/O	–	Bit	RXD1
	PC5	1	I/O	–	Bit	SCLK1,/CTS0



Table 3.5.1 Port functions (1/2) (R: PU= with programmable pull-up resistor)  
(U= with pull-up resistor)

Port name	Pin name	Number of pins	Direction	R	Direction Setting unit	Pin name for built-in function
Port D	PD0	1	Output	–	(Fixed)	D1BSCP
	PD1	1	Output	–	(Fixed)	D2BLP
	PD2	1	Output	–	(Fixed)	D3BFR
	PD3	1	Output	–	(Fixed)	DLEBCD
	PD4	1	Output	–	(Fixed)	DOFFB
	PD6	1	Output	–	(Fixed)	/ALARM,/MLDALM
	PD7	1	Output	–	(Fixed)	MLDALM
	Port E	PD0 to PD7	8	I/O	–	Bit
Port F	PF0	1	Output	–	(Fixed)	/SDRAS
	PF1	1	Output	–	(Fixed)	/SDCAS
	PF2	1	Output	–	(Fixed)	/SDWE
	PF3	1	Output	–	(Fixed)	SDLDQM
	PF4	1	Output	–	(Fixed)	SDUDQM
	PF5	1	Output	–	(Fixed)	SDCKE
	PF6	1	Output	–	(Fixed)	SDCLK
	PF7	1	Output	–	(Fixed)	

Table 3.5.2 I/O Registers and Specifications (1/3)

X: Don't care

Port	Pin name	Specification	I/O register				
			Pn	PnCR	PnFC	PnFC2	
Port 0	P00 to P07	Input port	X	0	None	None	
		Output port	X	1			
		D0 to D7 bus	X	X			
Port 1	P10 to P17	Input port	X	0	None	None	
		Output port	X	1			
		D8 to D15 bus	X	0			1
Port 2	P20 to P27	Input port	X	0	None	None	
		Output port	X	1			0
		A16 to A23 Output	X	1			1
Port 3	P30 to P47	Input port	X	0	None	None	
		Output port	X	1			0
		A8 to A15 Output	X	1			1
Port 4	P30 to P47	Input port	X	0	None	None	
		Output port	X	1			0
		A0 to A7 Output	X	1			1
Port Z	PZ0	Output port	X	None	None	0	
		/RD output	X			1	
	PZ1	Output port	X			0	
		/WR output	X			1	
	PZ2,PZ3	Input port (Without PU)	0			0	0
		Input port (with PU)	1			0	0
		Output port	X			1	0
	PZ2	/HWR output	X			1	1
	PZ3	R/W output	X			0	1
/SRWE output		X	1	1			
Port 5	P56	Input port (Without PU)	0	0	0		
		Input port (with PU)	1	0	0		
		Output port	X	1	0		
		/WAIT input (Without PU)	0	0	None		
		/WAIT input (With PU)	1	0			
Port 6	P60 to P67	Output Port	X	None	None	0	
	P60	$\overline{CS0}$ output	X			1	
	P61	$\overline{CS1}$ output	X			1	
		/SDCS output	X			1	0
	P62	$\overline{CS2}$ output	X			1	0
		/CS2A output	X			X	1
	P63	$\overline{CS3}$ output	X			1	0
	P64	EA24 output	X			1	0
		/CS2B output	X			X	1
	P65	EA25 output	X			1	0
		/CS2C output	X			X	1
	P66	/SRLB output	X			1	0
		/CS2D output	X			0	1
	P67	/SRUB output	X			1	0
		/CS2E output	X			0	1

Table 3.5.2 I/O Registers and Specifications (2/3)

X: Don't care

Port	Pin name	Specification	I/O register			
			Pn	PnCR	PnFC	PnFC2
Port 7	P70 to P77	Input port	0	0	0	0
		Output port	X	1	0	0
	P70	SCK input	X	0	0	0
		SCK output	X	1	1	0
		OPTRX0 input (Note1)	1	0	X	1
	P71	SDA input	X	0	0	0
		SDA output (Note2)	X	1	1	0
		So output	X	1	1	0
		OPTTX0 output (Note1)	1	1	X	1
	P72	SI input	X	0	0	None
		SCL input	X	0	0	
		SCL output (Note2)	X	1	1	
	P73	/CS2F output	X	1	X	1
	P74	/CS2G output	X	1	X	1
	P75	/CSEXA output	X	1	X	1
P76	MSK input (Note3)	X	0	0	0	
P77	VEECLK output	X	1	1	0	
Port 8	P80 to P87	Input port	X	None		None
		AN0 to AN7 input (Note4)	X			
	P83	/ADTRG input (Note5)	X			
Port 9	P90 to P97	Input port	X	None	0	None
		KI0 to KI7 input	X		1	
Port A	PA0 to PA7	Output port	X	None	0	None
		KO0 to 7 output (CMOS)	X		0	
		KO0 to 7 output (Open drain)	X		1	
Port B	PB0 to PB6	Input port	X	0	0	None
		Output port	X	1	0	
	PB0	TA0IN input	X	0	0	
		TXD2 output (Note1)	X	1	1	
	PB1	TA1OUT output	X	1	1	
		RXD2 input (Note1)	X	0	0	
	PB3	INT0 input	X	0	1	
	PB4	INT1 input	X	0	1	
		INT2 input	0	0	1	
	PB5	TA3OUT	1	1	1	
INT3 input		0	0	1		
PB6	TB0OUT0	1	1	1		

Table 3.5.2 I/O Registers and Specifications (3/3)

X: Don't care

Port	Pin name	Specification	I/O register			
			Pn	PnCR	PnFC	PnFC2
Port C	PC0 to PC5	Input port	X	0	0	None
		Output port	X	1	0	
	PC0	TXD0 output (Note1)	1	1	1	
	PC1	RXD0 input (Note1) (Note6)	1	0	None	
	PC2	SCLK0 input (Note1)	1	0	0	
		SCLK0 output (Note1)	1	1	1	
		$\overline{\text{CTS0}}$ input (Note1)	1	0	0	
	PC3	TXD1 output (Note1)	1	1	1	
	PC4	RXD1 input (Note1)	1	0	None	
	PC5	SCLK1 input (Note1)	1	0	0	
		SCLK1 output (Note1)	1	1	1	
$\overline{\text{CTS1}}$ input (Note1)		1	0	0		
Port D	PD0 to PD7	Output port	X	None	0	None
	PD0	D1BSCP output	X		1	
	PD1	D2BLP output	X		1	
	PD2	D3BFR output	X		1	
	PD3	DLEBCD output	X		1	
	PD4	DOFFB output	X		1	
	PD6	/ALARM output	1		1	
		/MLDALM output	0		1	
PD7	MLDALM output	X	1			
Port E	PE0 to PE7	Input Port	X	0	0	
		Output Port	X	1	0	
		LD0 to LD7 output	X	1	1	
Port F	PF0 to PF7	Output Port	X	None	0	None
	PF0	/SDRAS output	X		1	
	PF1	/SDCAS output	X		1	
	PF2	/SDWE output	X		1	
	PF3	SDLDQM output	X		1	
	PF4	SDUDQM output	X		1	
	PF5	SDCKE output	X		1	
	PF6	SDCLK output	X		1	

Note1: As for input ports of SIO1 to SIO3: (OPTTX0,OPTRX0,TXD0,TRX0,SCCLK0,/CTS0, TXD1,TRX1,SCCLK1,/CTS1, TXD2,RXD2), logical selection for output data or input data is determined by the output latch register Pn of each port.

Note2: When P71/72 are used as SDA/SCL open drain outputs, P7ODE<ODEP72: 71> is used to set the open drain output mode.

Note3: In case using P76 for MSK port, set to P7FC<P76F>.

Note4: When P80 to P87 are used as AD converter input channels, ADMOD1<ADCH2: 0> is used to select the channel.

Note5: When P83 is used as /ADTRG input, ADMOD1<ADTRGE> is used to enable External-trigger-input.

Note6: In case using PC1 for RXD0 port, set "1" to P7FC2<P70FC>.

After a Reset the port pins listed below function as general-purpose I/O port pins.

A Reset sets I/O pins, which can be programmed for either input, or output to be input ports pins. Setting the port pins for internal function use must be done in software.

3.5.1 Port 0 (P00 to P07)

Port 0 is an 8-bit general-purpose I/O port. Each bit can be set individually for input or output using the control register P0CR. Resetting resets all bits of the output latch P0, the control register P0CR to 0 and sets Port 0 to Input Mode. In addition to functioning as a general-purpose I/O port, Port 0 can also function as a data bus (D0 to 7).

When external memory is accessed, the port automatically functions as the data bus (D0 to D7) and all bits of P0CR are cleared to 0.

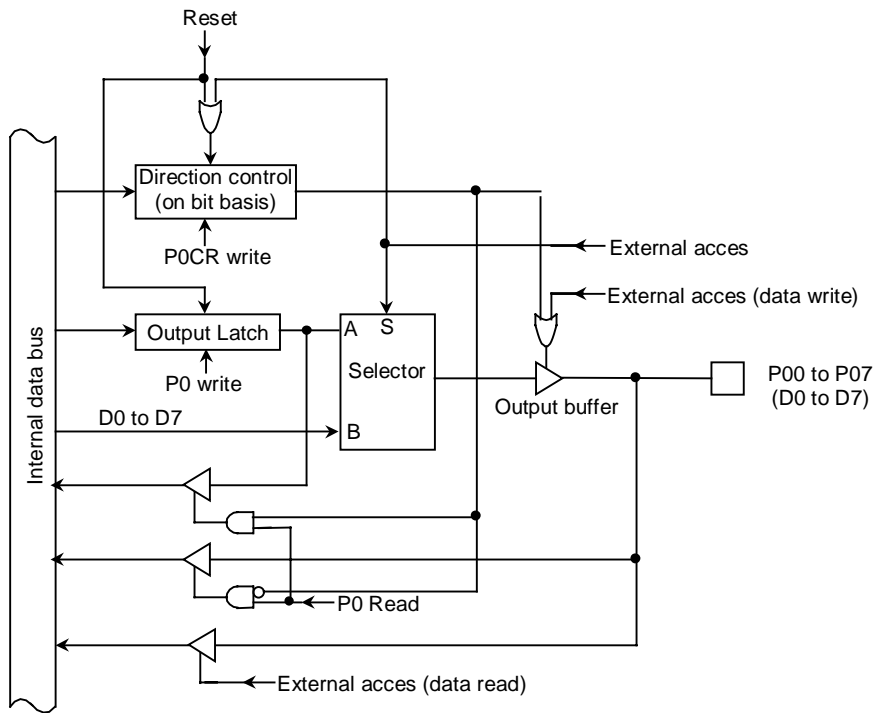


Figure3.5.1 Port 0

		7	6	5	4	3	2	1	0
P0 (0000H)	bit Symbol	P07	P06	P05	P04	P03	P02	P01	P00
	Read/Write	R/W							
	After Reset	Input mode (Output latch register is cleared to 0.)							

		7	6	5	4	3	2	1	0
P0CR (0002H)	bit Symbol	P07C	P06C	P05C	P04C	P03C	P02C	P01C	P00C
	Read/Write	W							
	After Reset	0	0	0	0	0	0	0	0
	Function	Port 0 Input/Output settings 0:Input 1:Output							

Note1: Read-modify-write is prohibited for and P0CR and P0FC  
 Note2: When functioning as a data bus (D0 to D7), P0CR is cleared to 0.

Figure3.5.2 Registers for Port 0

3.5.2 Port 1 (P10 to P17)

Port 1 is an 8-bit general-purpose I/O port. Each bit can be set individually for input or output using the control register P1CR and the function register P1FC. Resetting resets all bits of the output latch P1, the control register P1CR and the function register P1FC to 0 and sets Port 1 to Input Mode.

In addition to functioning as a general-purpose I/O port, Port 1 can also function as a data bus (D8 to 15).

AM1	AM0	P1xF	Function Setting after reset is released
0	0	0	Input Port
0	1	1	Data bus (D8 to D15)
1	0	-	Don't use this setting
1	1	0	Input port

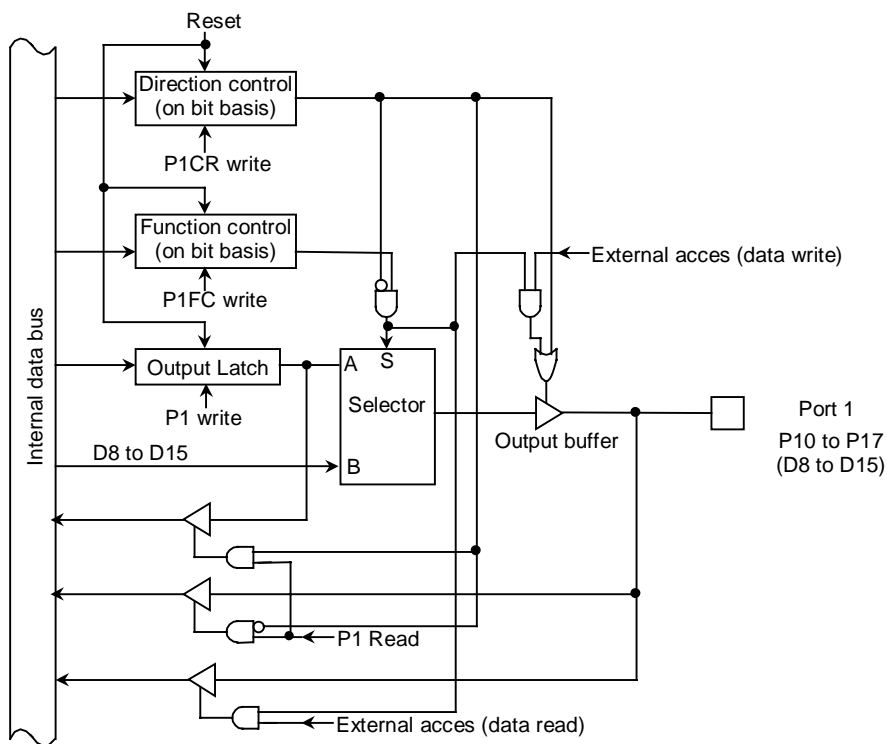
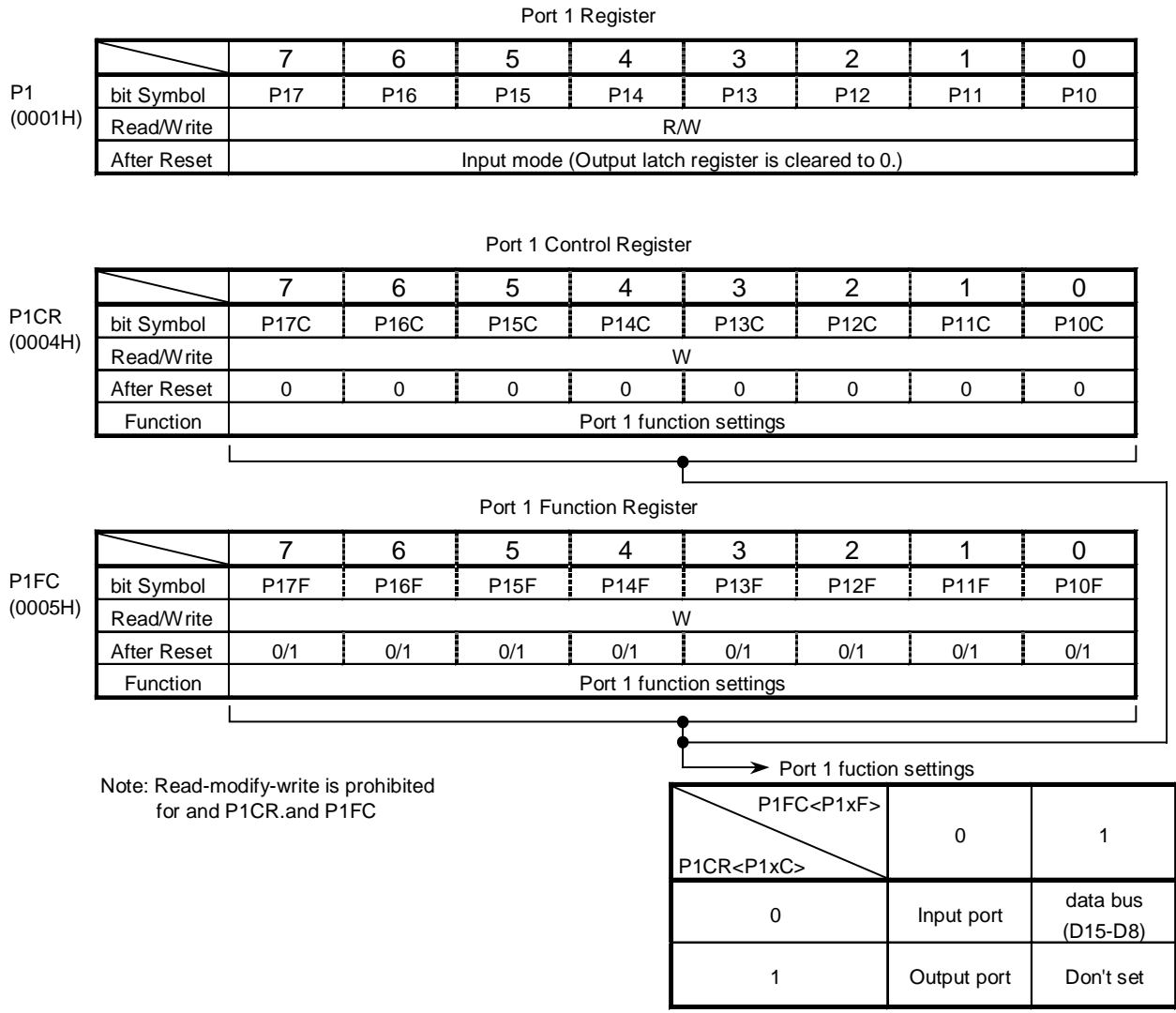


Figure3.5.3 Port 1



Note: <P1XF> is bit X in register P1FC; <P1XC>, in register P1CR.

Figure3.5.4 Registers for Port 1

3.5.3 Port 2 (P20 to P27)

Port 2 is an 8-bit general-purpose I/O port. Each bit can be set individually for input or output using the control register P2CR and the function register P2FC. In addition to functioning as a general-purpose I/O port, Port 2 can also function as an address bus (A16 to A23).

Setting the AM1 and AM0 pins as shown below and resetting the device initialize port2 to the following function pins.

AM1	AM0	P2xC	P2xF	Function Setting after reset is released
0	0	1	1	Address bus (A16 to A23)
0	1	1	1	Address bus (A16 to A23)
1	0	-	-	Don't use this setting
1	1	0	0	Input port

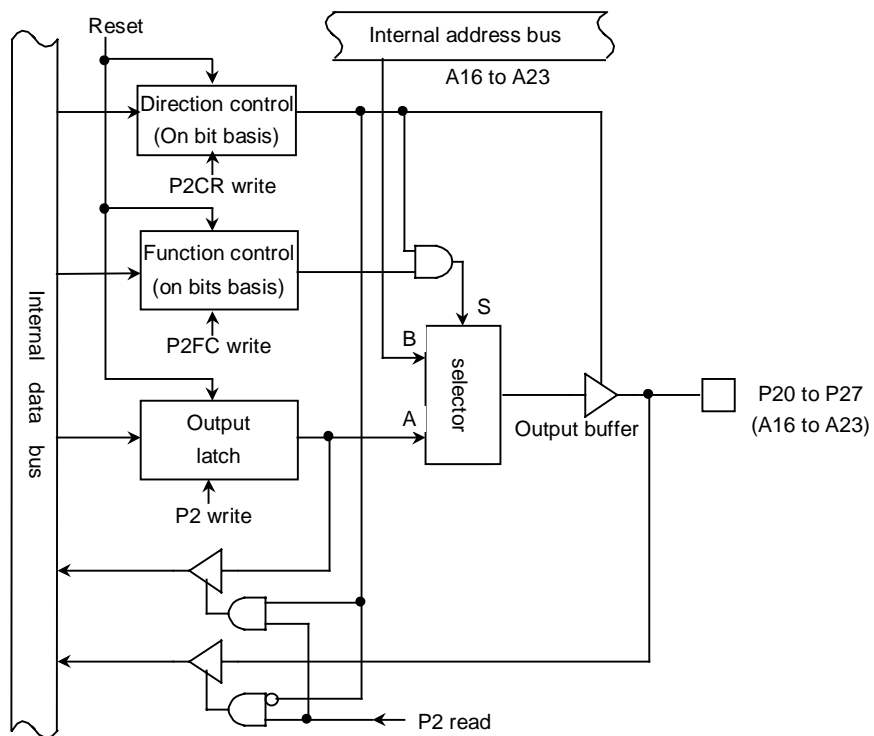
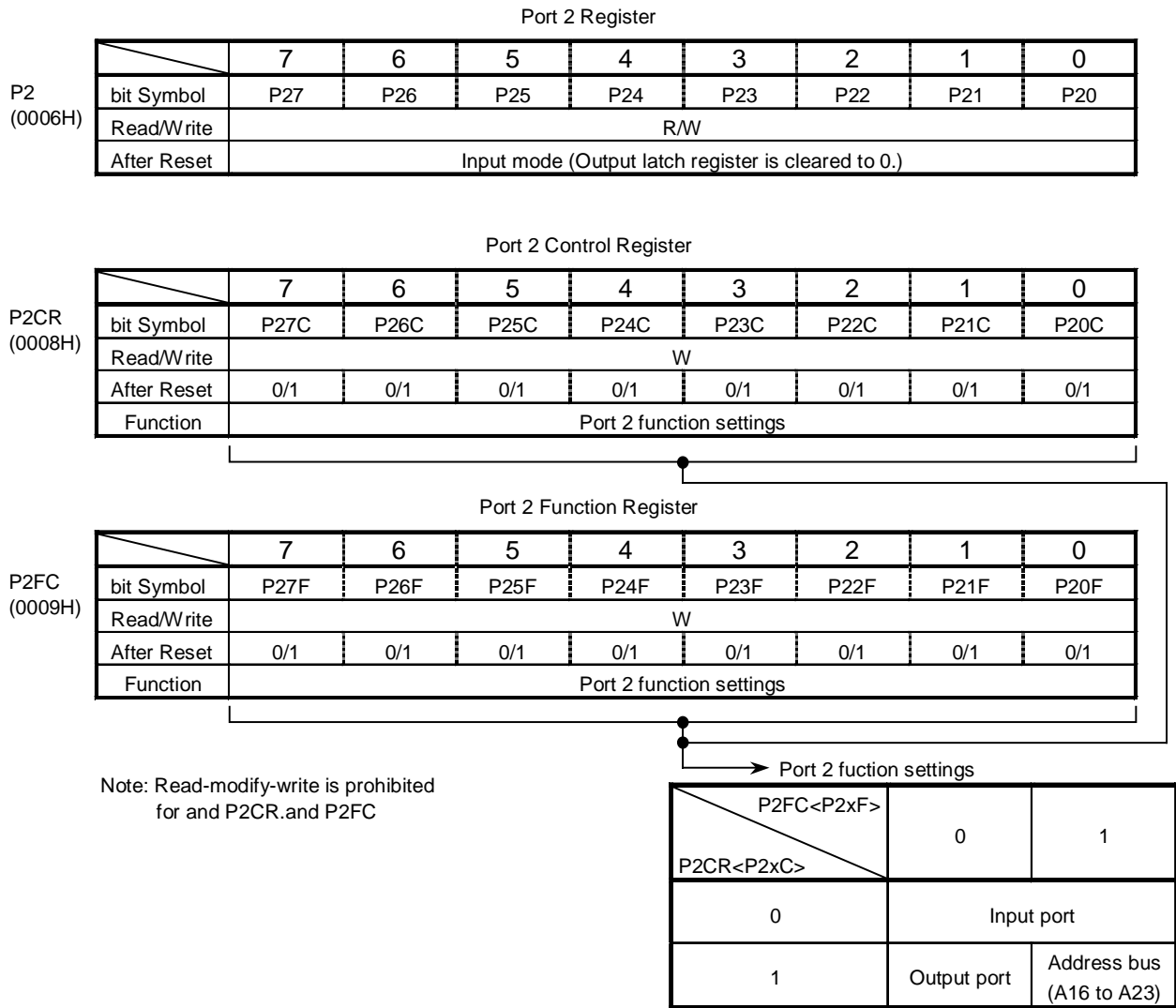


Figure3.5.5 Port 2





Note: <P2XF> is bit X in register P2FC; <P2XC>, in register P2CR.

Figure3.5.6 Port Registers for Port 2

3.5.4 Port 3 (P30 to P37)

Port 3 is an 8-bit general-purpose I/O port. Each bit can be set individually for input or output using the control register P3CR and the function register P3FC. In addition to functioning as a general-purpose I/O port, Port 3 can also function as an address bus (A8 to A15).

Setting the AM1 and AM0 pins as shown below and resetting the device initialize Port 3 to the following function pins.

AM1	AM0	P3xC	P3xF	Function Setting after reset is released
0	0	1	1	Address bus (A8 to A15)
0	0	1	1	Address bus (A8 to A15)
1	0	-	-	Don't use this setting
1	1	0	0	Input port

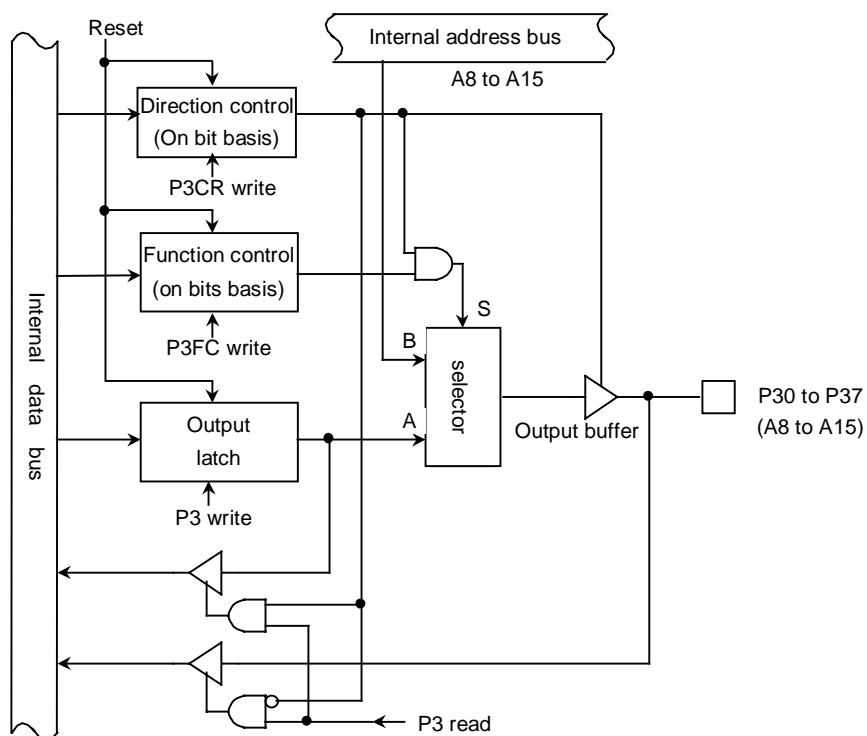
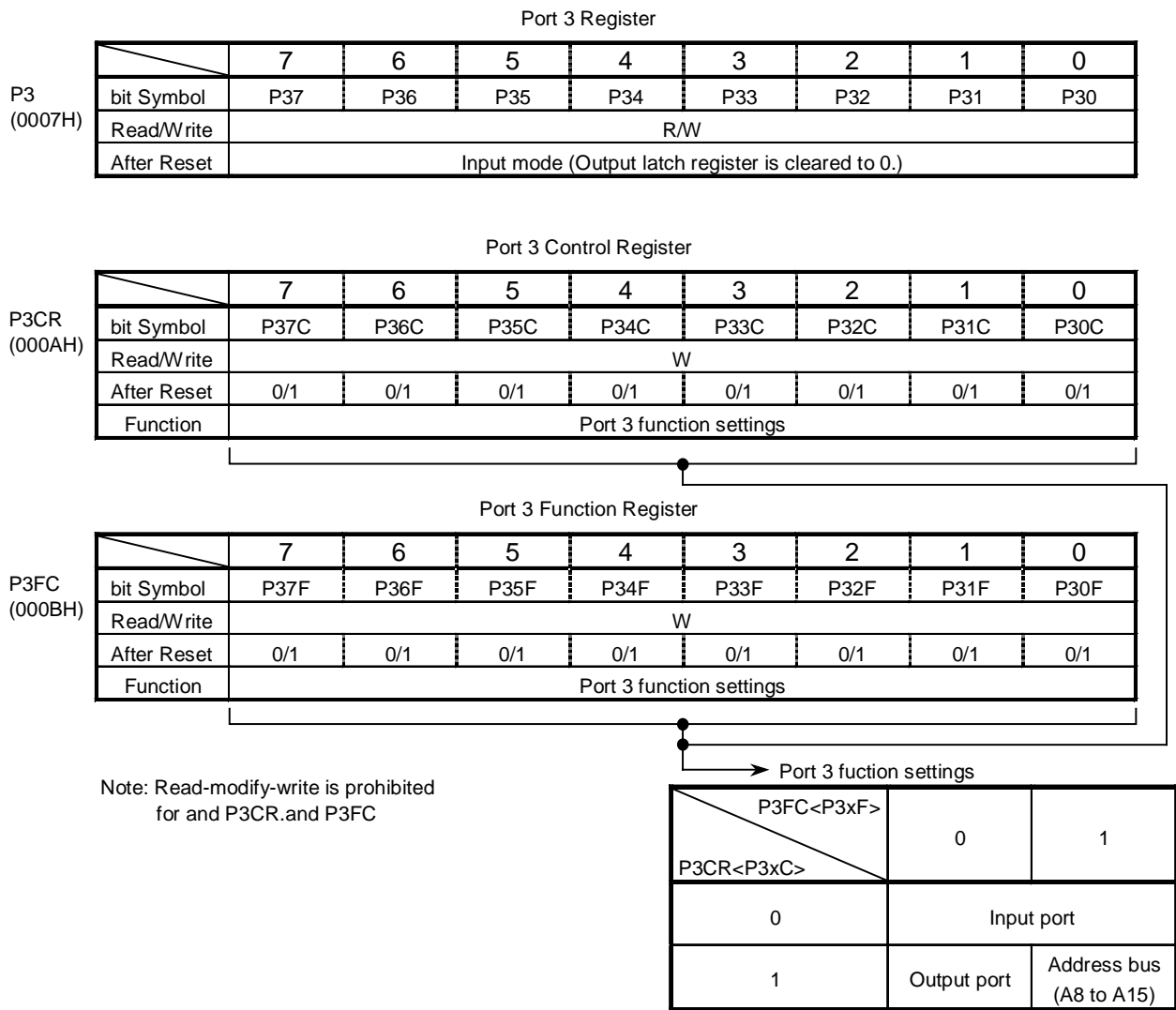


Figure3.5.7 Port 3



Note: <P3XF> is bit X in register P3FC; <P3XC>, in register P3CR.

Figure3.5.8 Port Registers for Port 3

3.5.5 Port 4 (P40 to P47)

Port 4 is an 8-bit general-purpose I/O port. Each bit can be set individually for input or output using the control register P4CR and the function register P4FC. In addition to functioning as a general-purpose I/O port, Port 4 can also function as an address bus (A0 to A7).

Setting the AM1 and AM0 pins as shown below and resetting the device initialize Port 4 to the following function pins.

AM1	AM0	P4xC	P4xF	Function Setting after reset is released
0	0	1	1	Address bus (A0 to A7)
0	1	1	1	Address bus (A0 to A7)
1	0	-	-	Don't use this setting
1	1	0	0	Input port

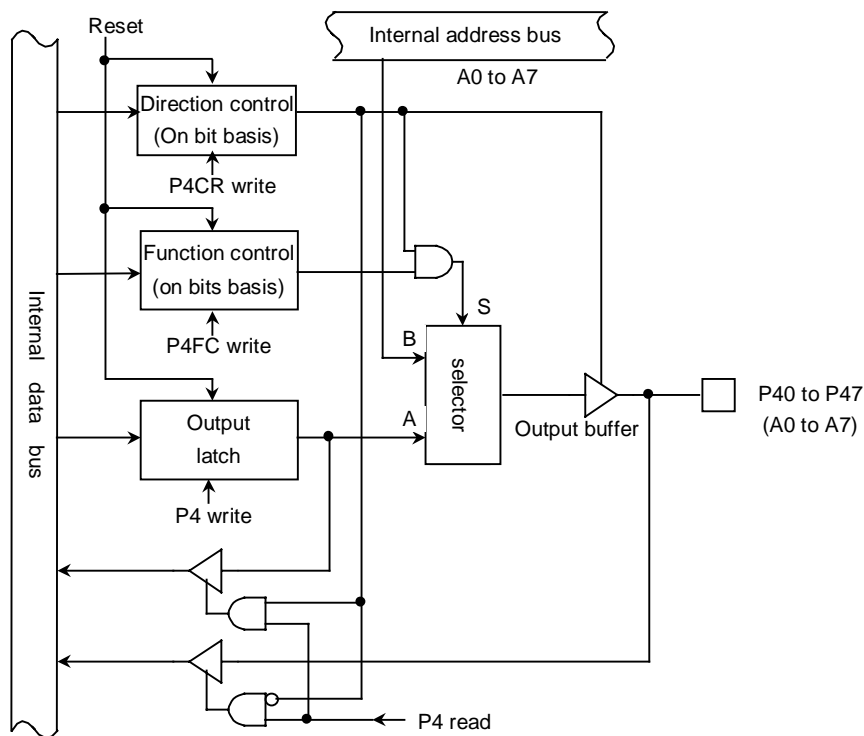
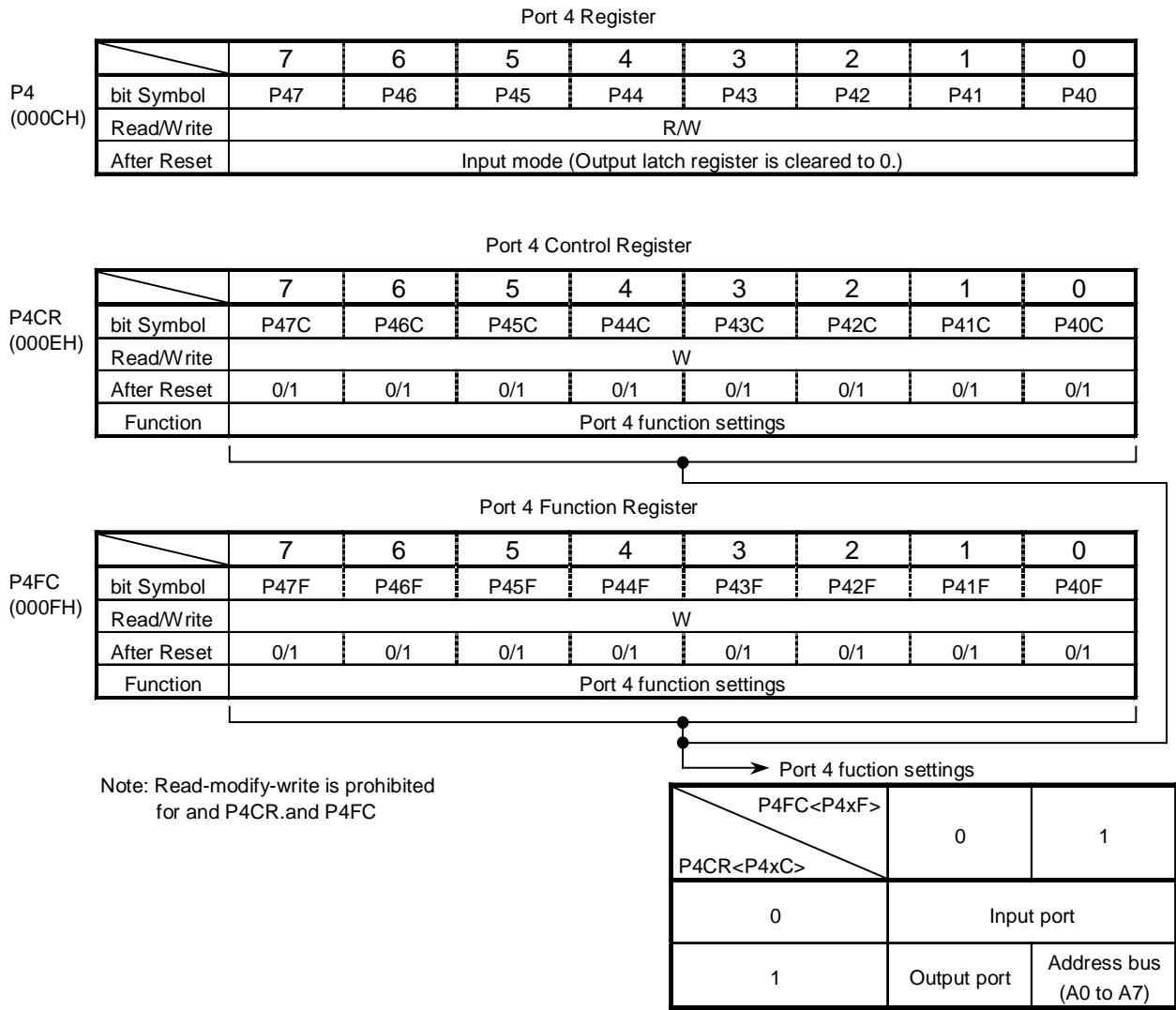


Figure3.5.9 Port 4



Note: <P4XF> is bit X in register P4FC; <P4XC>, in register P4CR.

Figure3.5.10 Port Registers for Port 4

3.5.6 Port Z (PZ0 to PZ3)

Port Z is an 4-bit general-purpose I/O port(P50 and P51 are used for output only). I/O is set using control register PZCR and PZFC. Resetting resets all bits of the output latch PZ to “1”.

In addition to functioning as a general-purpose I/O port, Port Z also functions as I/O for the CPU’s control / status signal.

When PZ0 pin is defined as /RD strobe signal output mode (<PZ0F>="1"), clearing the output latch register <PZ0> to "0" outputs the /RD strobe (used for the peused static RAM) from the PZ0 pin even when the internal addressed. If the output latch register <PZ0> remains “1”, the /RD strobe signal is output only when the external address are is accessed.

Resetting initializes PZ2 and PZ3 pins to input mode with pull-up register.

Setting the AM1 and AM0 pins as shown below and resetting the device initialize PZ0 and PZ1 pins to the following function pins.

AM1	AM0	PZ0F PZ1F	Function Setting after reset is released	
			PZ0 function	PZ1 function
0	0	1	/RD pin	/WR pin
0	1	1	/RD pin	/WR pin
1	0	-	Don't use this setting	Don't use this setting
1	1	0	Output port	Output port

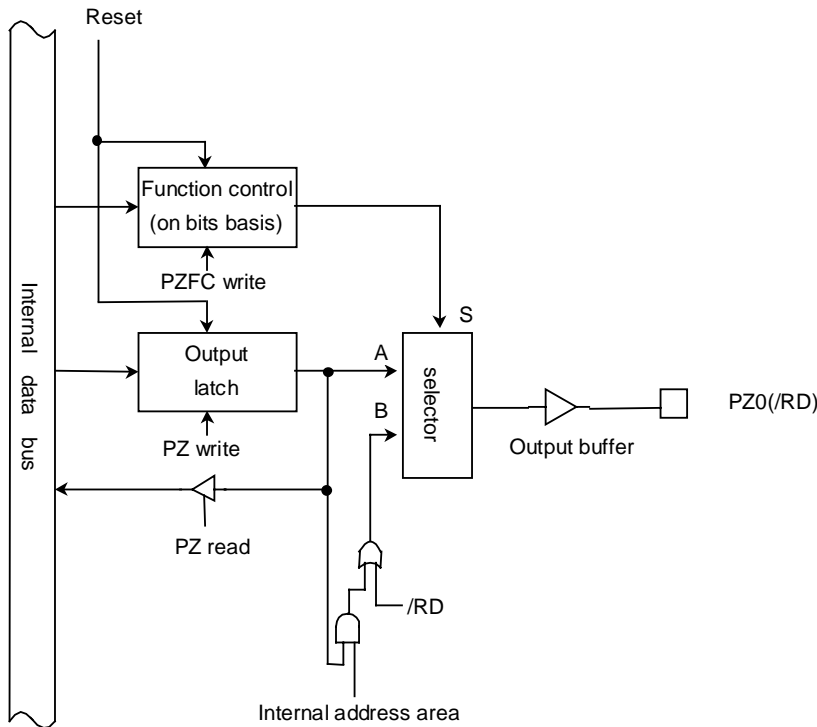


Figure3.5.11 Port Z (PZ0)

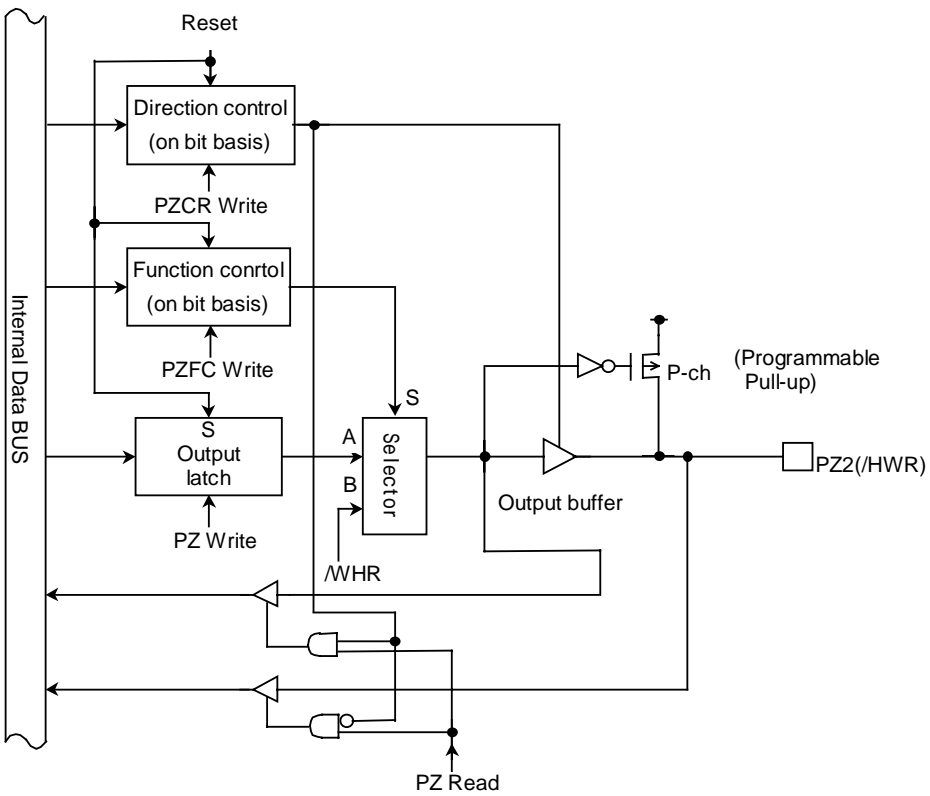
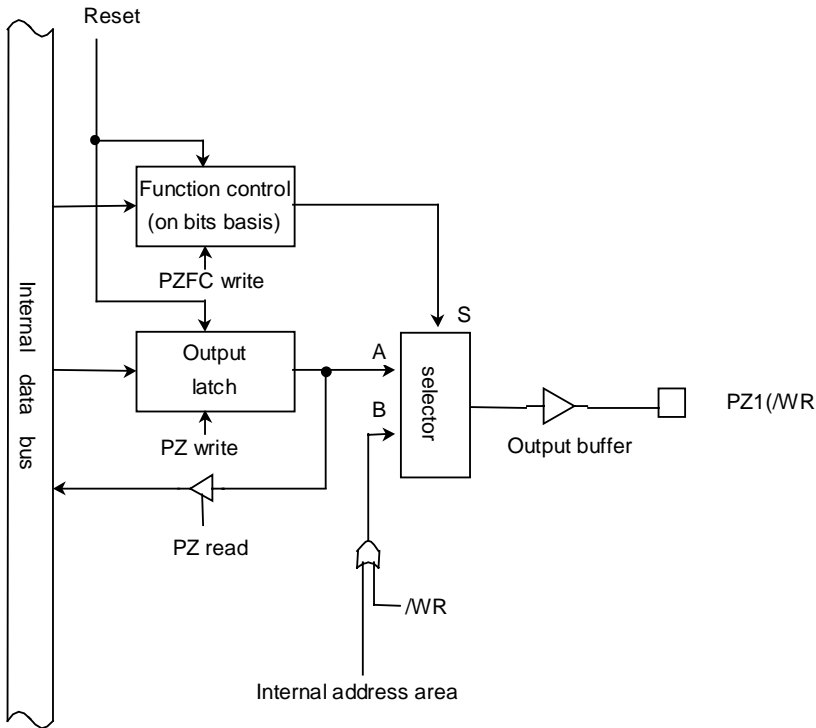


Figure3.5.12 Port Z (PZ1, PZ2)

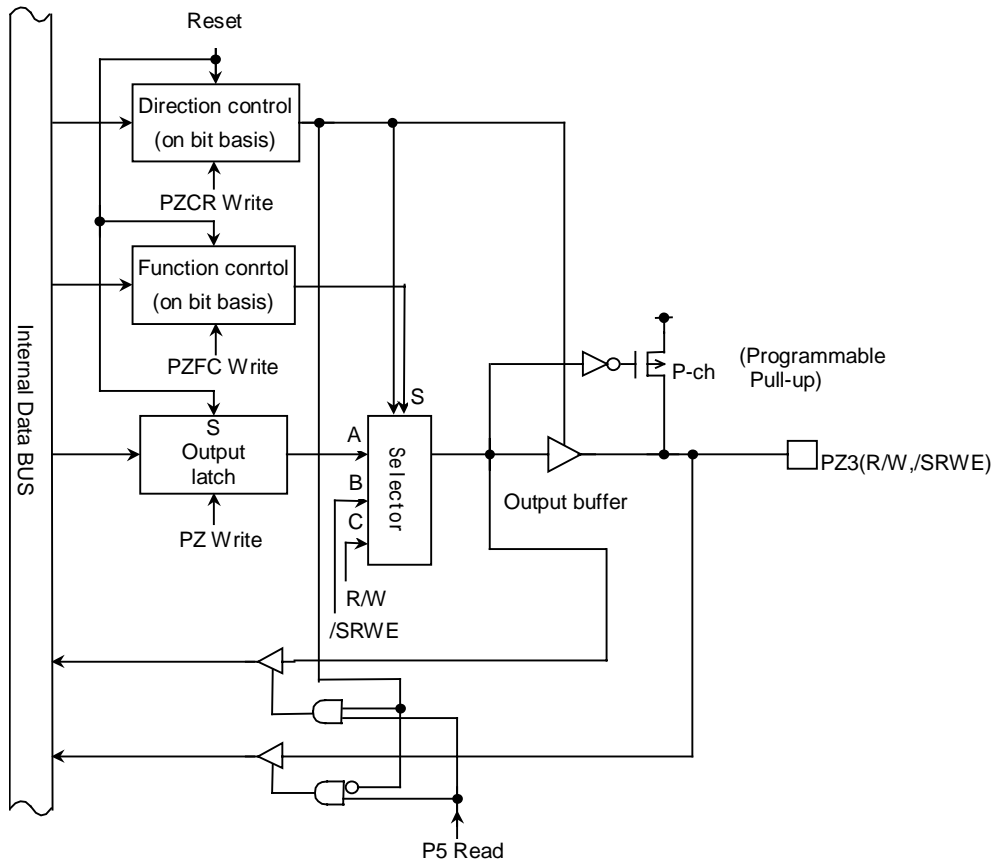


Figure3.5.13 Port Z (PZ3)



Port Z Register

	7	6	5	4	3	2	1	0
PZ (007DH)	bit Symbol				PZ3	PZ2	PZ1	PZ0
					Read/Write R/W			
	Input mode (pulled-up)				Output mode			
After reset					1	1	1	1

Port Z Control Register

	7	6	5	4	3	2	1	0
PZCR (007EH)	bit Symbol				PZ3C	PZ2C		
					Read/Write W			
After reset	0: IN				1: OUT			

Port Z Function Register

	7	6	5	4	3	2	1	0
PZFC (007FH)	Bit Symbol				PZ3F	PZ2F	PZ1F	PZ0F
					Read/Write W			
After reset					0	0	0	0
Function	(Note) Always fixed to "0"				0: PORT 1: R/W, /SRWE	0: PORT 1:/HWR	0: PORT 1:/WR	0: PORT 1:/RD

Note 1: Read-Modify-write is prohibited for registers PZCR and PZFC.  
 Note 2: When Port Z is used in Input Mode, the PZ register controls the built-in pull-up resistor. Read-Modify-Write is prohibited in Input Mode or I/O Mode. Setting the built-in pull-up resistor may be depended on the states of the input pin.

R/W, /SRWE setting ←

<PZ3C>	0	1
<PZ3F>	Input	output
	R/W	/SRWR

→ PZ0 (/RD) function setting

<PZ0>	0	1
<PZ0F>	"0" output	"1" output
1	Prohibit this setting	/RD is only output during external accesses.

→ PZ1 (/WR) function setting

<PZ1>	0	1
<PZ1F>	"0" output	"1" output
1	/WR is only output during external accesses.	

→ /HWR setting

PZFC<PZ2F>	1
PZCR<PZ2C>	1

Figure3.5.14 Port Register for Port Z

### 3.5.7 Port 5 (P56)

Port 5 is an 1-bit general-purpose I/O port. I/O is set using control register P5CR and P5FC. Resetting resets all bits of the output latch P5 to "1".

In addition to functioning as a general-purpose I/O port, Port 5 also functions as I/O for the CPU's control / status signal.

Resetting initializes P56 pins to input mode with pull-up register.

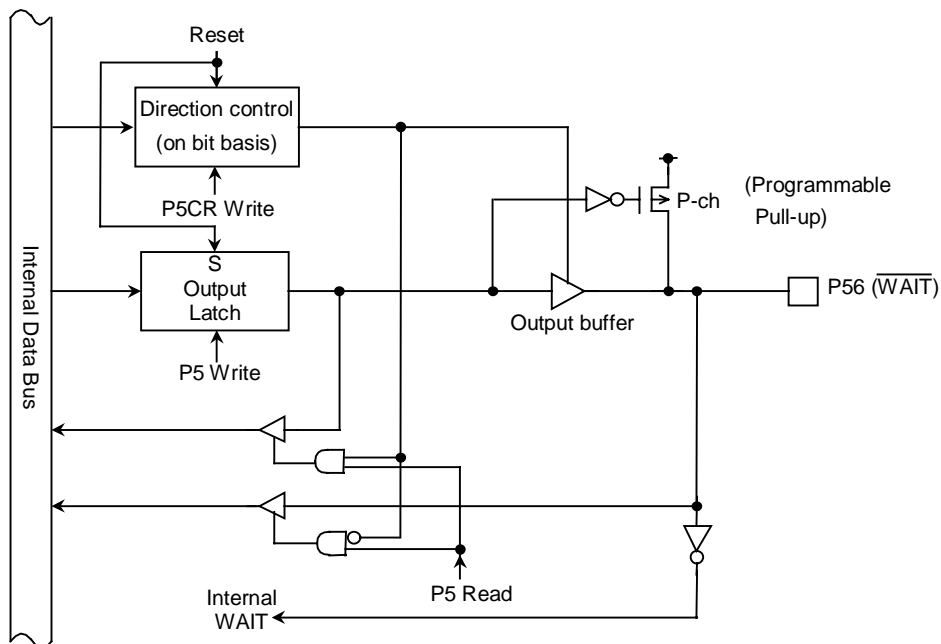


Figure3.5.15 Port 5 (P56)

Port 5 Register

	7	6	5	4	3	2	1	0
P5 (000DH)	bit Symbol		P56					
	Read/Write							
	After reset							
			1					
	Input mode (pulled-up)							
	R/W							

Port 5 Control Register

	7	6	5	4	3	2	1	0
P5CR (0010H)	bit Symbol		P56C					
	Read/Write							
	After reset							
			0					
	0: IN                      1: OUT							
	W							

Note 1: When the P53/WAIT pin is to be use as the WAIT pin, P5CR<P53C> must be set to 0 and <BnW2 to BnW0> in the chip select/wait control register must be set 010.

Figure3.5.16 Port Register for Port 5

3.5.8 Port6 (P60 to P67)

Port60 to 67 are 8bit output ports. Resetting sets output latch of P62 to “0” and output latches of P60 to P61, P63 to P67 to “1”.

Port6 also function as chip-select output (/CS0 to /CS3), extend address output (EA24, EA25), extend chip-select output (/CS2A, /CS2B, /CS2C, /CS2D, /CS2E), SRAM byte control output (/SRUB, /SRLB), and SDRAM chip-select output (/SDCS).

Writing “1” in the corresponding bit of P6FC, P6FC2 enables the respective functions.

Resetting resets the P6FC, P6FC2 to “0”, and sets all bits to output ports.

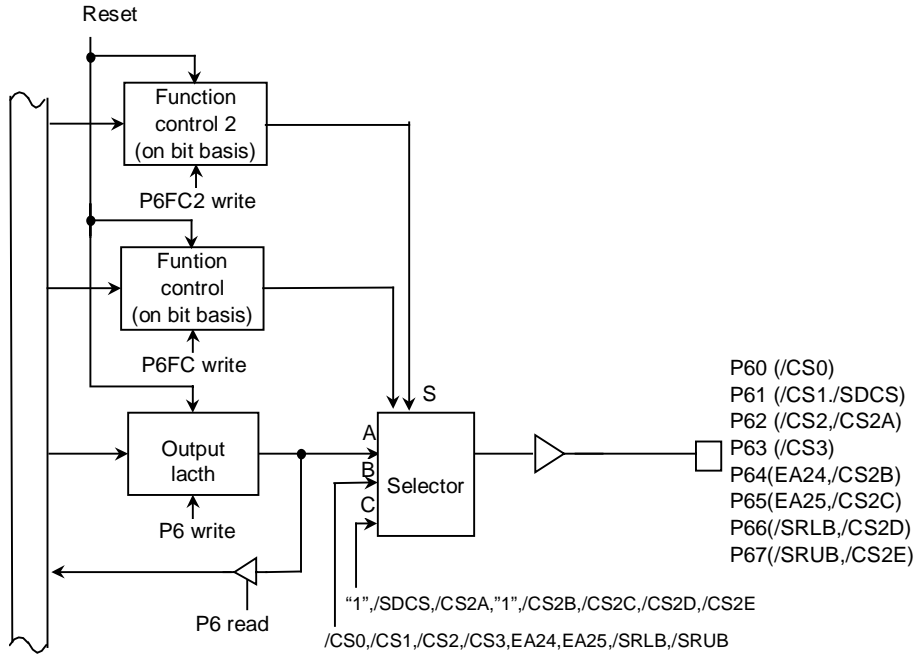


Figure 3.5.17 Port 6

Port 6 Register									
		7	6	5	4	3	2	1	0
P6 (0012H)	bit Symbol	P67	P66	P65	P64	P63	P62	P61	P60
	Read/Write	R/W							
	After reset	1	1	1	1	1	0	1	1

Port 6 Function Register									
		7	6	5	4	3	2	1	0
P6FC (0015H)	bit Symbol	P67F	P66F	P65F	P64F	P63F	P62F	P61F	P60F
	Read/Write	W							
	After reset	0							
	Function	0: PORT 1: /SRUB	0: PORT 1: /SRLB	0: PORT 1: EA25	0: PORT 1: EA24	0: PORT 1: /CS3	0: PORT 1: /CS2	0: PORT 1: /CS1	0: PORT 1: /CS0

Port 6 Function Register 2									
		7	6	5	4	3	2	1	0
P6FC2 (001BH)	bit Symbol	P67F2	P66F2	P65F2	P64F2		P62F2	P61F2	
	Read/Write	W				W			
	After reset	0				0			
	Function	0: <P67F> 1: /CS2E	0: <P66F> 1: /CS2D	0: <P65F> 1: /CS2C	0: <P64F> 1: /CS2B	Always fixed to "0"	0: <P62F> 1: /CS2A	0: <P61F> 1: /SDCS	Always fixed to "0"

(Note) Read-modify-write is prohibited for P6FC and P6FC2 .

Figure 3.5.18 Register for Port 6

3.5.9 Port7 (P70 to P77)

Port 7 is an 8-bit general-purpose I/O port. I/O can be set on bit basis using the control register. Resetting sets Port 7 to input port and all bits of output latch to "1".

In addition to functioning as a general-purpose I/O port, Port 7 also functions as follows.

1. Input/output function for serial bus interface(SCK,SO/SDA.SI/SCL)
2. Input/output function for IrDA (OPTRX0,OPTTX0)
3. Extend chip-select output (/CS2F,/CS2G,/CSEXA)
4. Clock control function for voltage booster of external LCD driver (MSK,VEECLK)

Writing "1" in the corresponding bit of P7FC, P7FC2 enables the respective functions.

Resetting resets the P7FC, P7FC2 to "0", and sets all bits to input ports.

(1) Port70 (SCK, OPTRX0))

Port70 is a general-purpose I/O port. It is also used as SCK (clock signal for SIO mode) and OPTRX0 (receive input for IrDA mode of SIO0).

Used as OPTRX0, it is possible to logical-invert by P7<P70>.

For PortC1, RXD0 or OPTRX0 is used P7FC2<P70F2>.

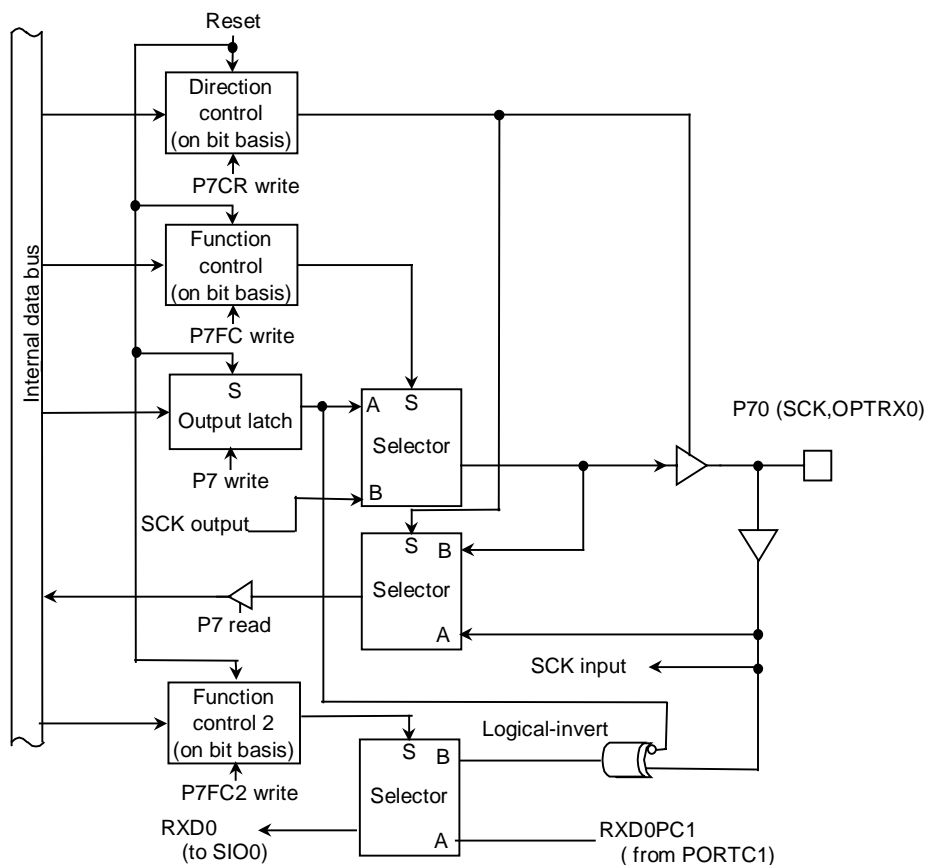


Figure 3.5.19 P70

(2) Port71 (SO/SDA/OPTTX0)

Port71 is a general-purpose I/O port. It is also used as SDA (data input for I<sup>2</sup>C mode), SO (data output for SIO mode) for serial bus interface and OPTTX0 (transmit output for IrDA mode of SIO0).

Used as OPTTX0, it is possible to logical-invert by P7<P71>.

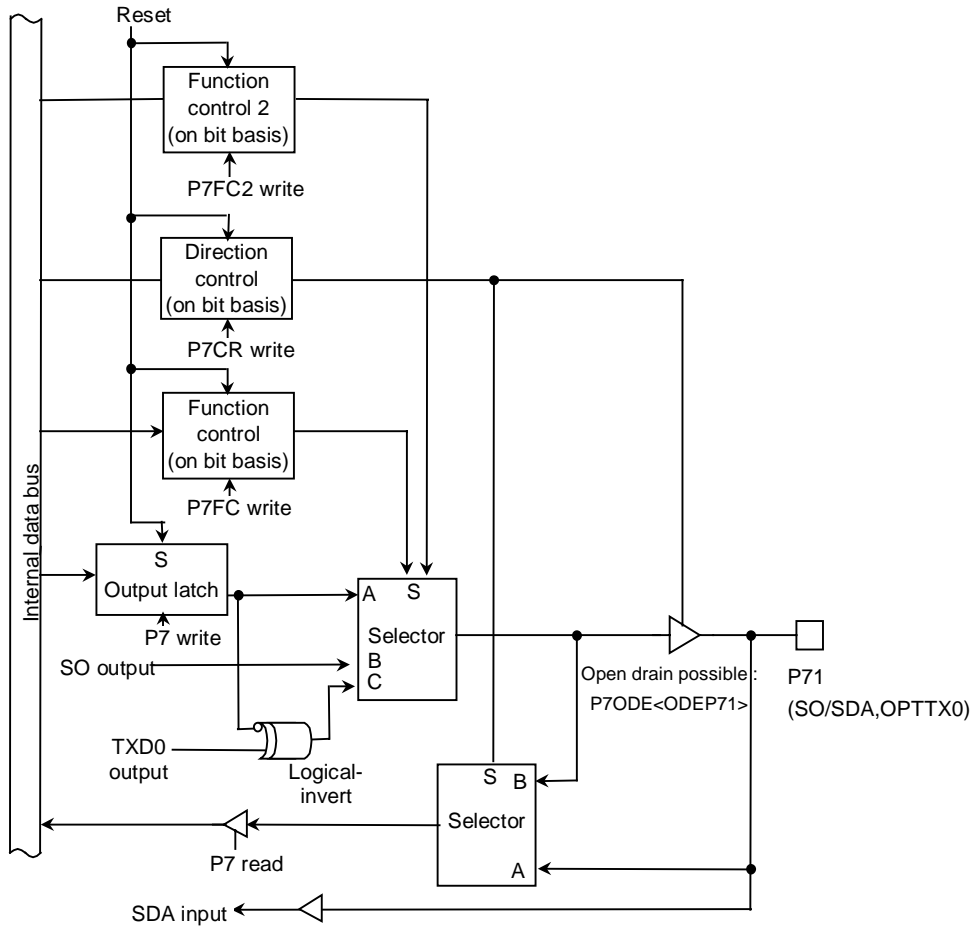


Figure 3.5.20 Port 71

(3) Port 72 (SI/SCL)

Port72 is a general-purpose I/O port. It is also used as SI (data input for SIO mode), SCL (clock input/output for I<sup>2</sup>C mode) for serial bus interface.

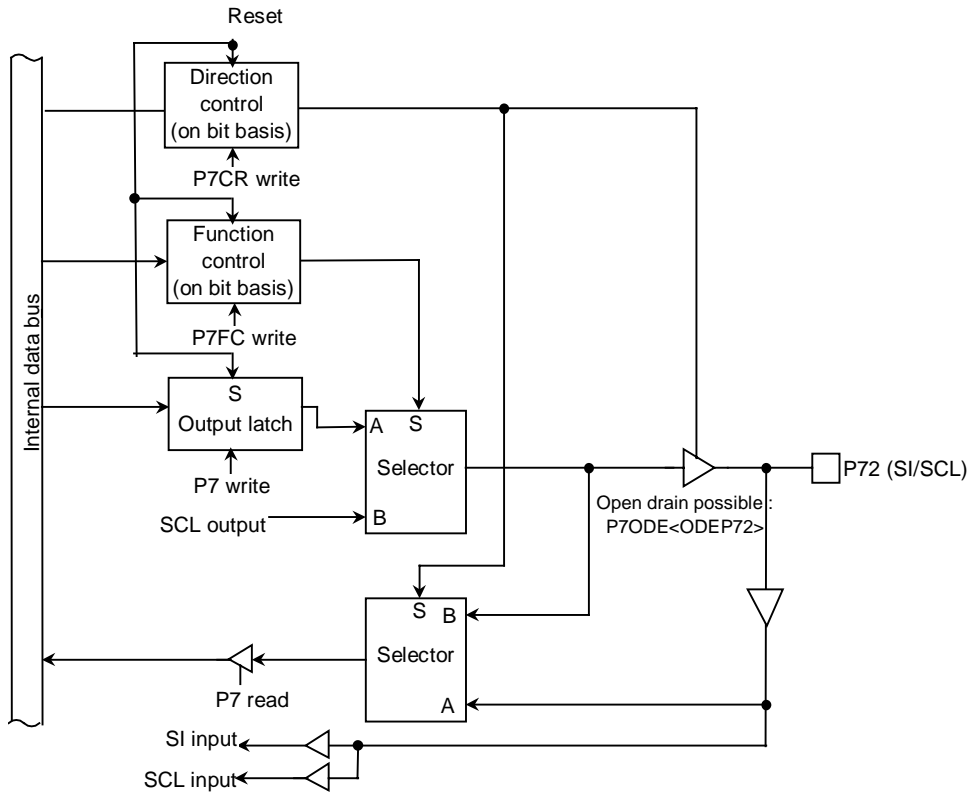


Figure 3.5.21 Port 72

(4) Port 73 (/CS2F),74(/CS2G),75(/CSEXA)

Port73 to 75 are general-purpose I/O ports. These are also used as control signal for extend chip-select output.

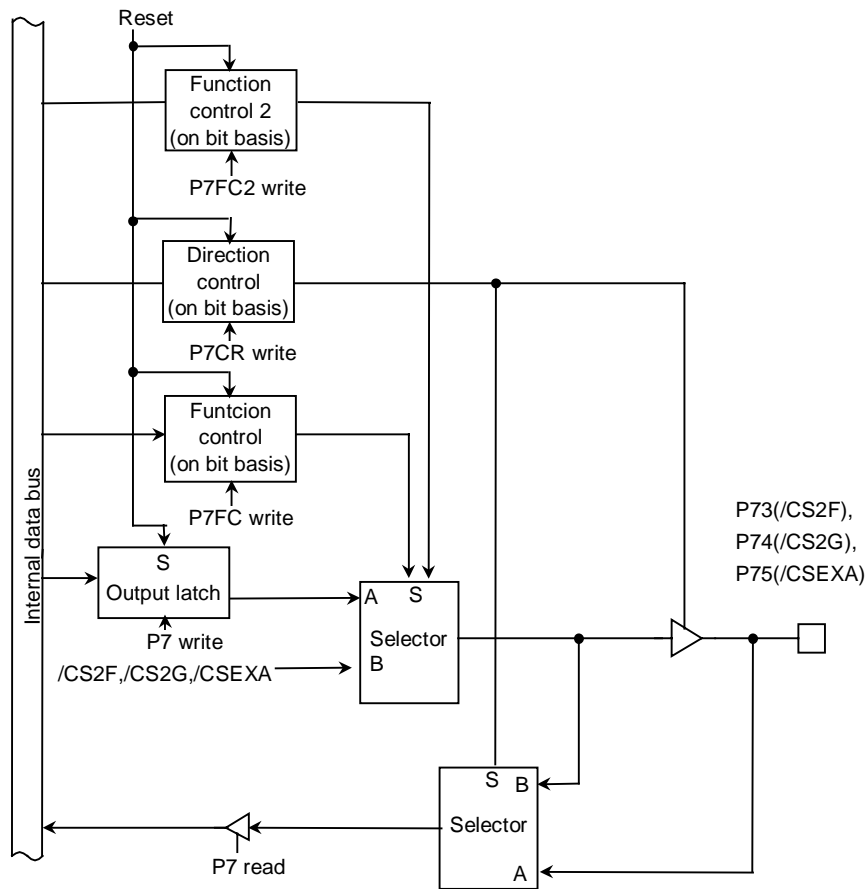


Figure 3.5.22(4) Port 73,74,75



(5) Port 76(MSK),77(VEECLK)

Port76 and 77 are general-purpose I/O ports. These are also used as clock control function for voltage booster of external LCD driver.

MSK pin (P76) is an input pin from external LCD driver, clock output from VEECLK pin is controlled by state of this pin. Logic of this pin is controlled with P7FC<P76F>.

VEECLK pin outputs clock of 32KHz for voltage booster or "0" level according to request from MSK pin. VEECLK output is controlled with P7FC<P77F>.

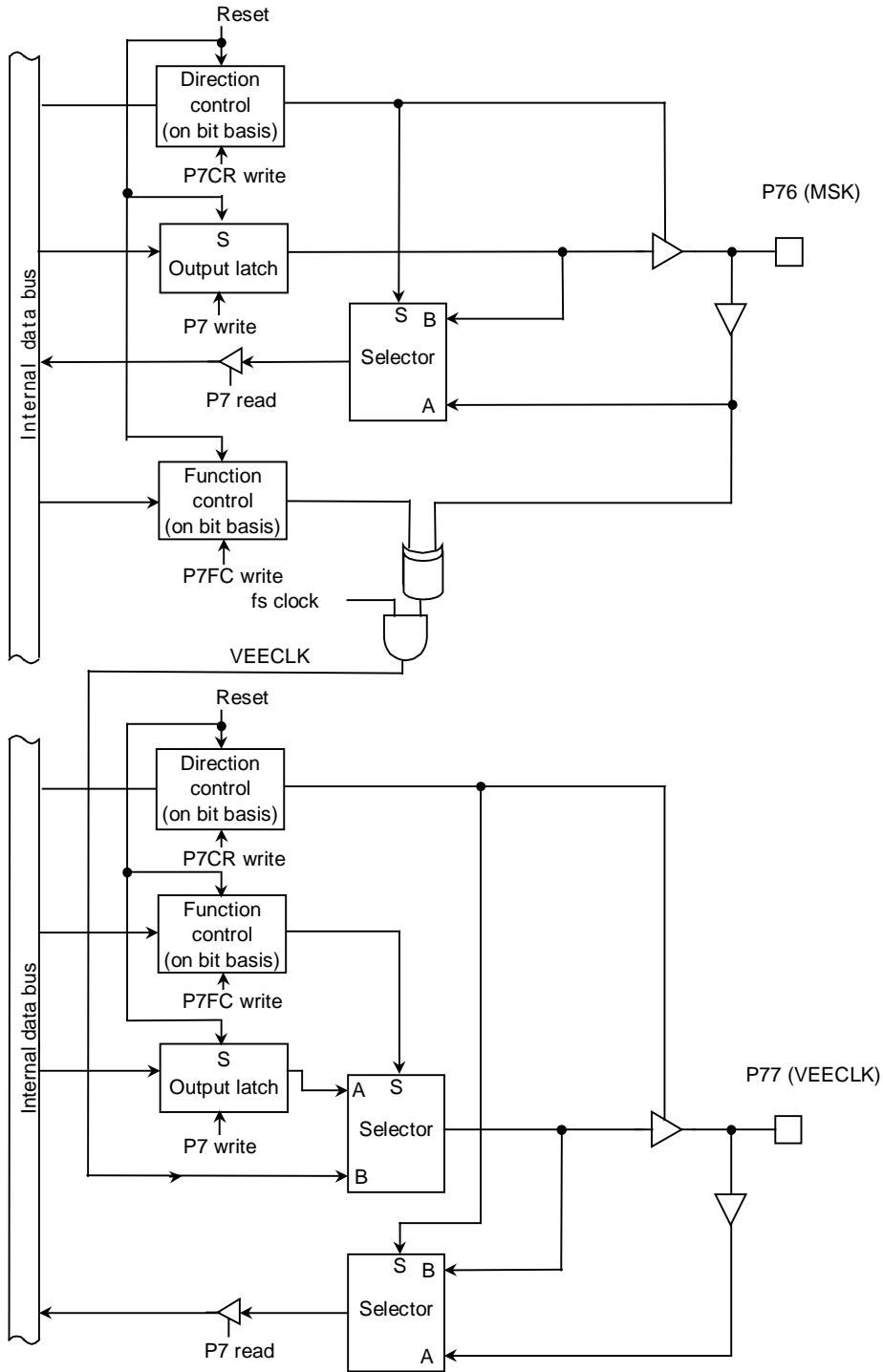


Figure 3.5.22 Port 76,77

		7	6	5	4	3	2	1	0
P7 (0013H)	bit Symbol	P77	P76	P75	P74	P73	P72	P71	P70
	Read/Write	R/W							
	After reset	Input mode							
		1	1	1	1	1	1	1	1

		7	6	5	4	3	2	1	0
P7CR (0016H)	bit Symbol	P77C	P76C	P75C	P74C	P73C	P72C	P71C	P70C
	Read/Write	W							
	After reset	0: IN      1: OUT							
		0	0	0	0	0	0	0	0

		7	6	5	4	3	2	1	0
P7FC (0017H)	bit Symbol	P77F	P76F	P75F	P74F	P73F	P72F	P71F	P70F
	Read/Write	W							
	After reset	0							
	Function	0: PORT 1: VEECLK	MSK select 0: "1" enable 1: "0" enable	0: PORT	0: PORT	0: PORT	0: PORT 1: SCL	0: PORT 1: SDA/SO	0: PORT 1: SCK

		7	6	5	4	3	2	1	0
P7FC2 (001CH)	bit Symbol			P75F2	P74F2	P73F2	-	P71F2	P70F2
	Read/Write	W							
	After reset	0							
	Function			0: <P75F> 1: /CSEXA	0: <P74F> 1: /CS2G	0: <P73F> 1: /CS2F	Always Write to '0'	0: <P71F> 1: OPTTX0	SIO0 RXD Pin select 0: RXD0(PC1) 1: OPTRX0 (P70)

		7	6	5	4	3	2	1	0
P7ODE (001FH)	bit Symbol						ODEP72	ODEP71	
	Read/Write	W							
	After reset	0							
	Function							0: 3-STATE 1: Open Drain	

(Note) Read-modify-write is prohibited for P7CR, P7FC, P7FC2 and P7ODE.

Figure 3.5.23 Register for Port 7

3.5.10 Port 8 (P80 to P87)

Port 8 is an 8-bit input port and can also be used as the analog input pins for the internal AD converter. P83 can also be used as ADTRG pin for the AD converter.

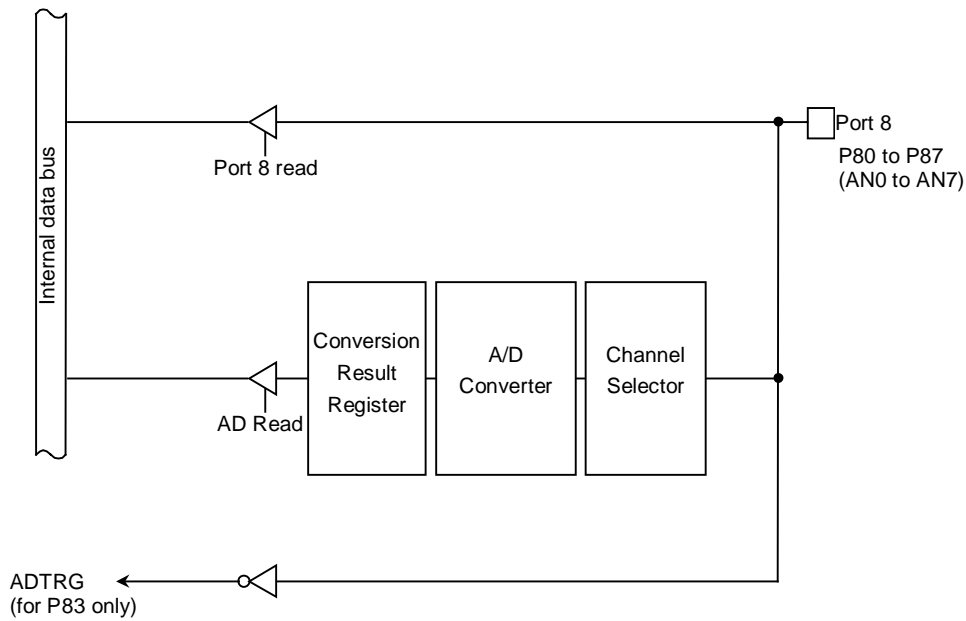


Figure 3.5.25 Port 8

Port 8 Register

		7	6	5	4	3	2	1	0
P8 (0018H)	Bit Symbol	P87	P86	P85	P84	P83	P82	P81	P80
	Read/Write	R							
	After reset	Input mode							

Note: The input channel selection of A/D Converter and the permission of ADTRG input are set by A/D Converter mode register ADMOD1.

Figure 3.5.26 Register for Port 8

3.5.11 Port 9 (P90 to P97)

Port 90 to 97 are 8-bit input ports with pull-up resistor. In addition to functioning as general-purpose I/O port, port 90 to 97 can also Key-on wake-up function as Key board interface. The various functions can each be enabled by writing a “1” to the corresponding bit of the Port 9 Function Register (P9FC). Resetting resets all bits of the register P9FC to “0” and sets all pins to be input port.

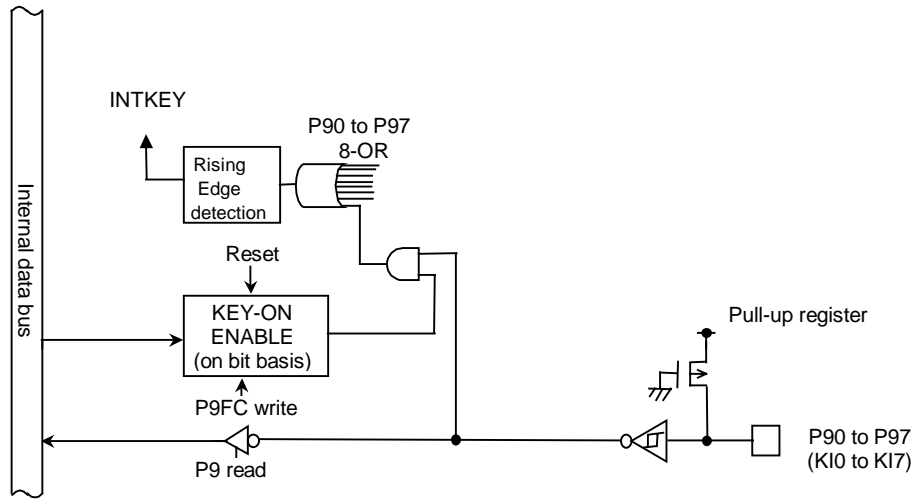


Figure 3.5.27 Port 9

When P9FC="1", if either of input of KI0-KI7 pins falls down, INTKEY interrupt is generated. INTKEY interrupt can be used to release all HALT mode.

		7	6	5	4	3	2	1	0
P9 (0019H)	bit Symbol	P97	P96	P95	P94	P93	P92	P91	P90
	Read/Write	R							
	After reset	Input Mode							

		7	6	5	4	3	2	1	0
P9FC (001DH)	bit Symbol	P97	P96	P95	P94	P93	P92	P91	P90
	Read/Write	W							
	After reset	0	0	0	0	0	0	0	0
		0: KEY IN disable				1: KEY IN enable			

KEY-IN of Port9	
disable	0
enable	1

Note 1: Read-Modify-Write is prohibited for the registers P9FC.

Figure 3.5.28 Port 9 register

3.5.12 Port A (PA0 to PA7)

Port A0 to PA7 are 8-bit output ports, and also used key-board interface pin KO0 to KO7 which can set open drain output buffer.

Writing “1” in the corresponding bit of the port A function register (PAFC) enable the open drain output.

Resetting reset bits of the registers PA to “1” and PAFC to “0”, and all pin outputs “1”.

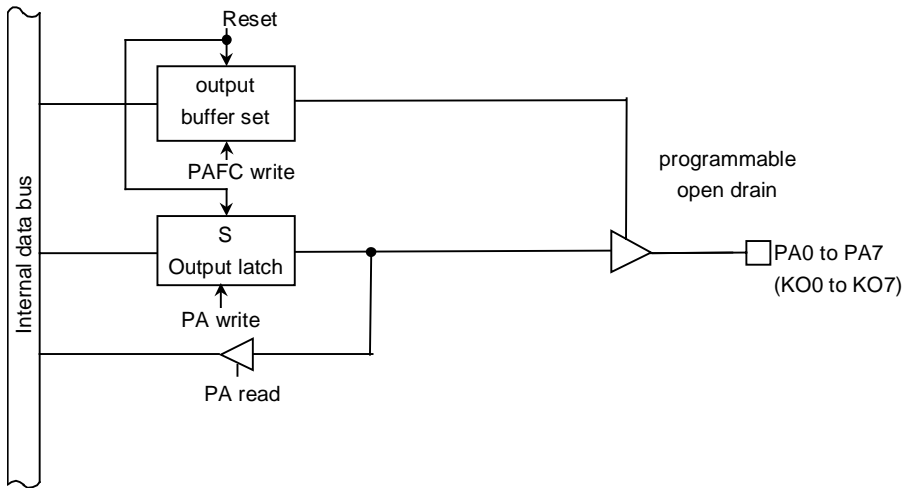


Figure3.5.29 Port A

Port A Register										
		7	6	5	4	3	2	1	0	
PA (001EH)	bit Symbol	PA7	PA6	PA5	PA4	PA3	PA2	PA1	PA0	
	Read/Write	R/W								
	After reset	1								

Port A Function Register										
		7	6	5	4	3	2	1	0	
PAFC (0021H)	bit Symbol	PA7F	PA6F	PA5F	PA4F	PA3F	PA2F	PA1F	PA0F	
	Read/Write	W								
	After reset	0	0	0	0	0	0	0	0	
0: CMOS output 1: open drain										

(Note) Read-modify-write is prohibited for PAFC.

Figure3.5.30 Register for Port A

3.5.13 Port B (PB0 to PB6)

Port B is a 6-bit general-purpose I/O port. Each bit can be set individually for input or output. Resetting sets Port B to be an input port.

In addition to functioning as a general-purpose I/O port, Port B can also function as I/O pin for timers (TA0IN, TA1OUT, TA3OUT, TB0OUT0), input pin for external interruption (INT0 to INT3), and I/O for serial channels 2 (TXD2,RXD2). Above setting is used the function register PBFC and PBFC2. Edge select of external interruption establishes it with IIMC register, which there is in interruption controller.

(1) PB0 (TA0IN, TXD2)

As well as functioning as I/O port pins, port B0 can also function as serial channel TXD2 output pins. In case of use TXD2, it is possible to logical invert by setting the register PB<PB0>.

And port B0 has a programmable open drain function which can be control the register PBODE<ODEPB0>.

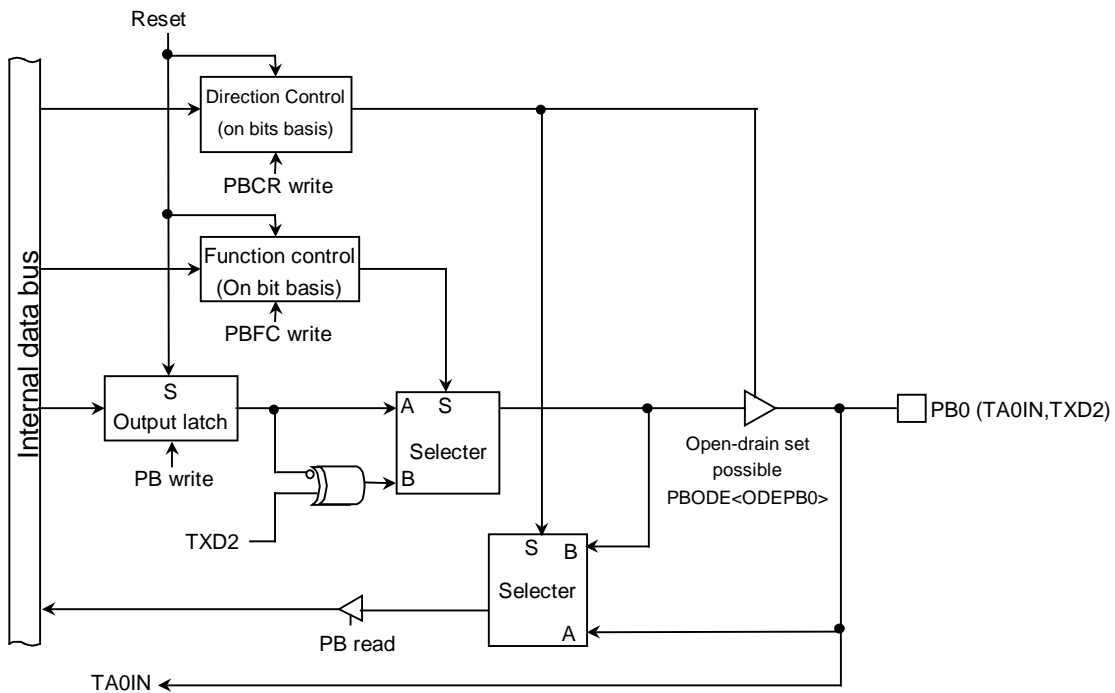


Figure 3.5.31 Port B0

(2) PB1 (TA1OUT, RXD2)

Port B1 is I/O port pins and can also be used as RXD input for the serial channels. In case of use RXD2, it is possible to logical invert by setting the register PB<PB1>.

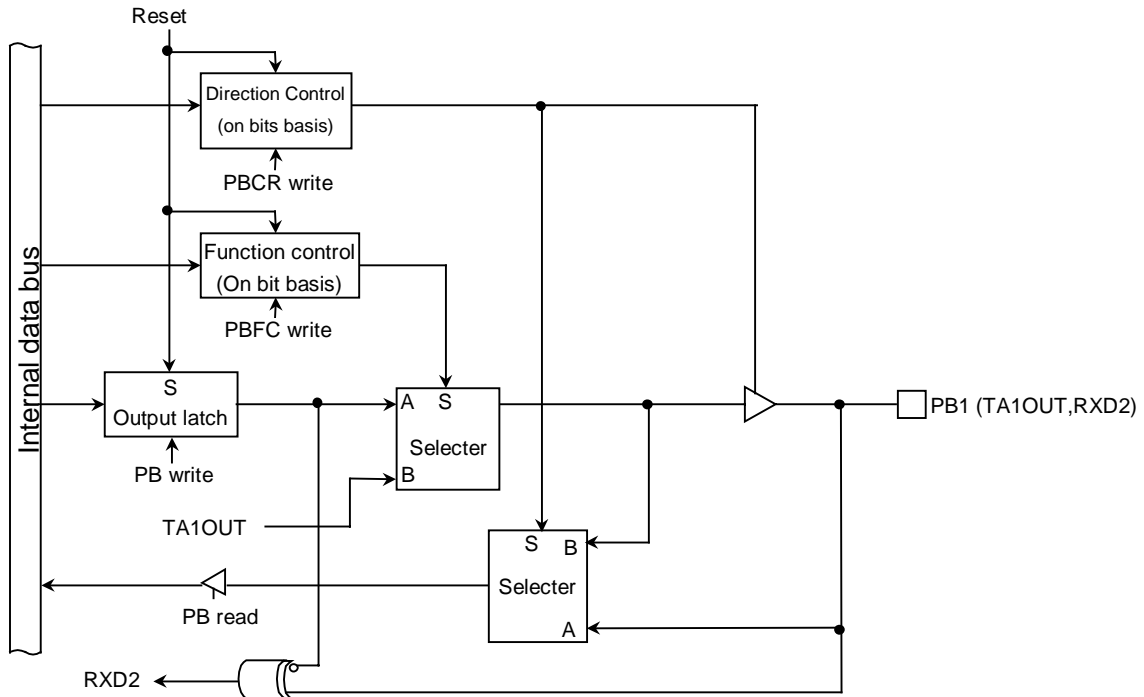


Figure 3.5.32 Port B1

(3) PB3 (INT0)

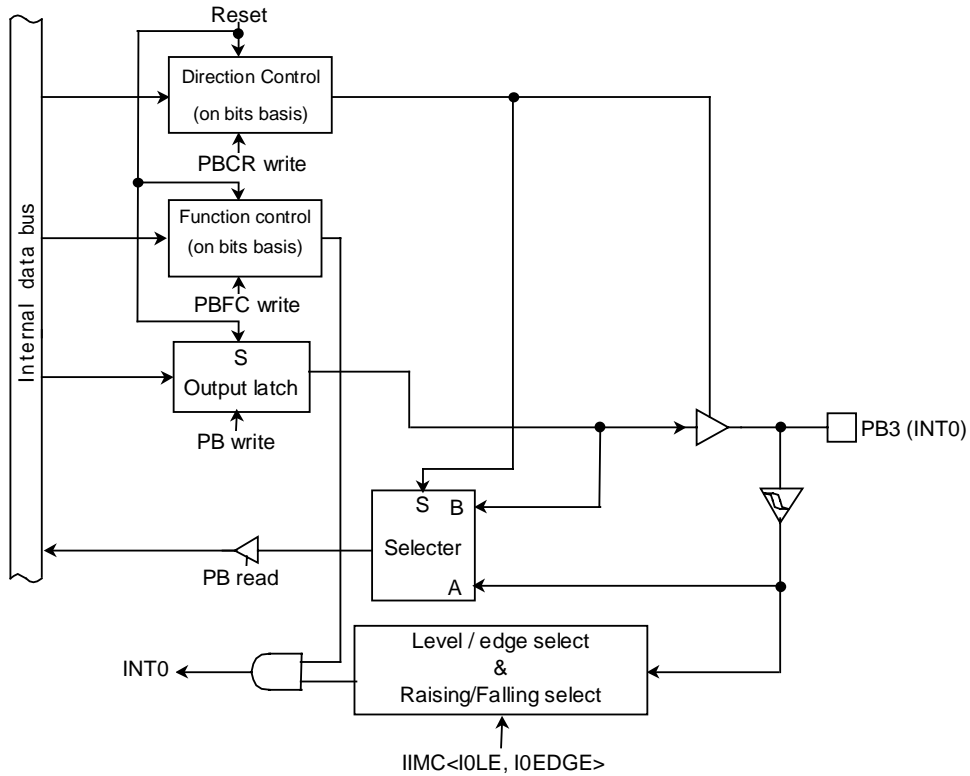


Figure 3.5.33 Port B3

(4) PB4 (INT1), PB5 (INT2, TA3OUT), PB6 (INT3, TB0OUT0)

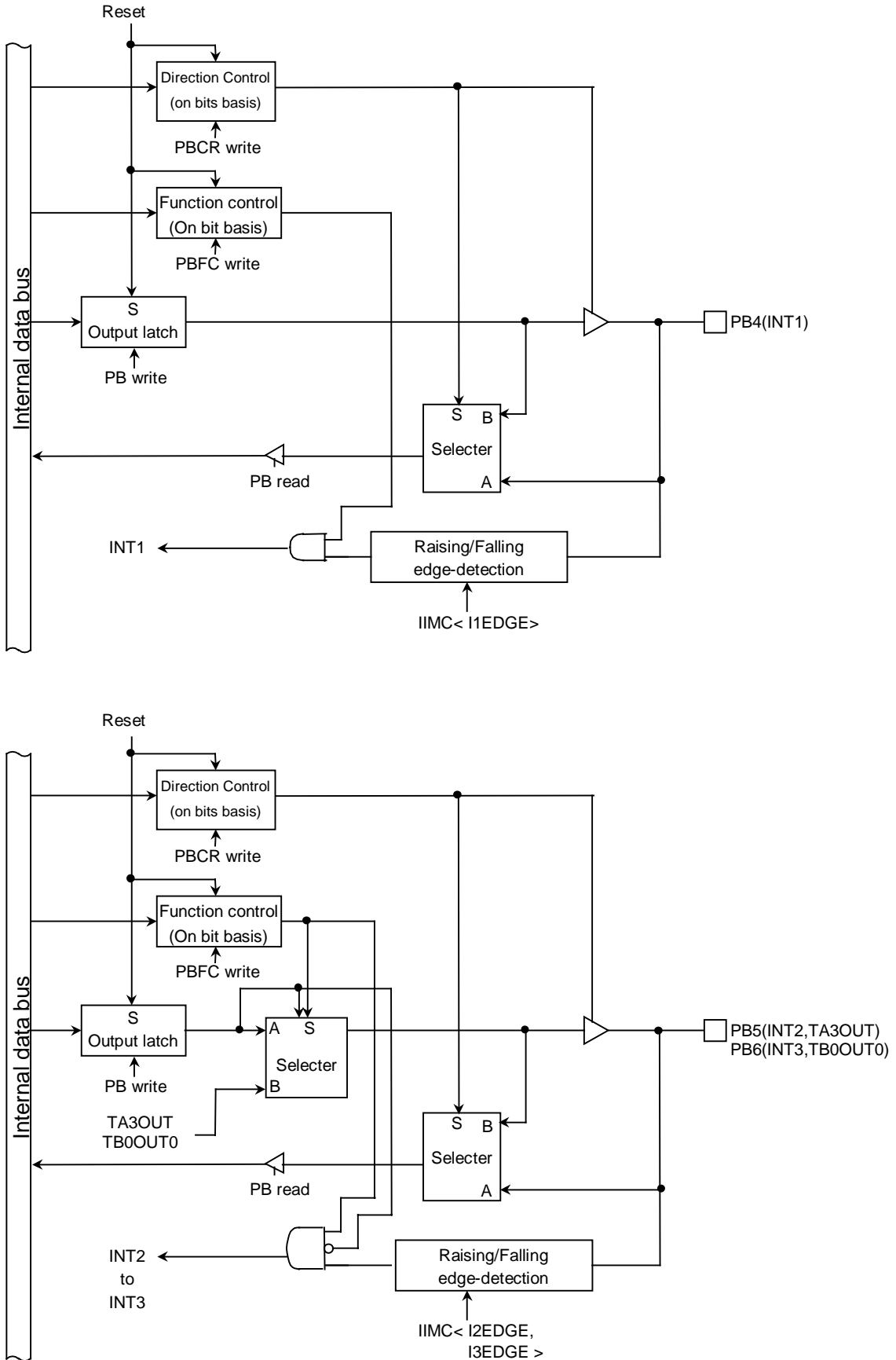
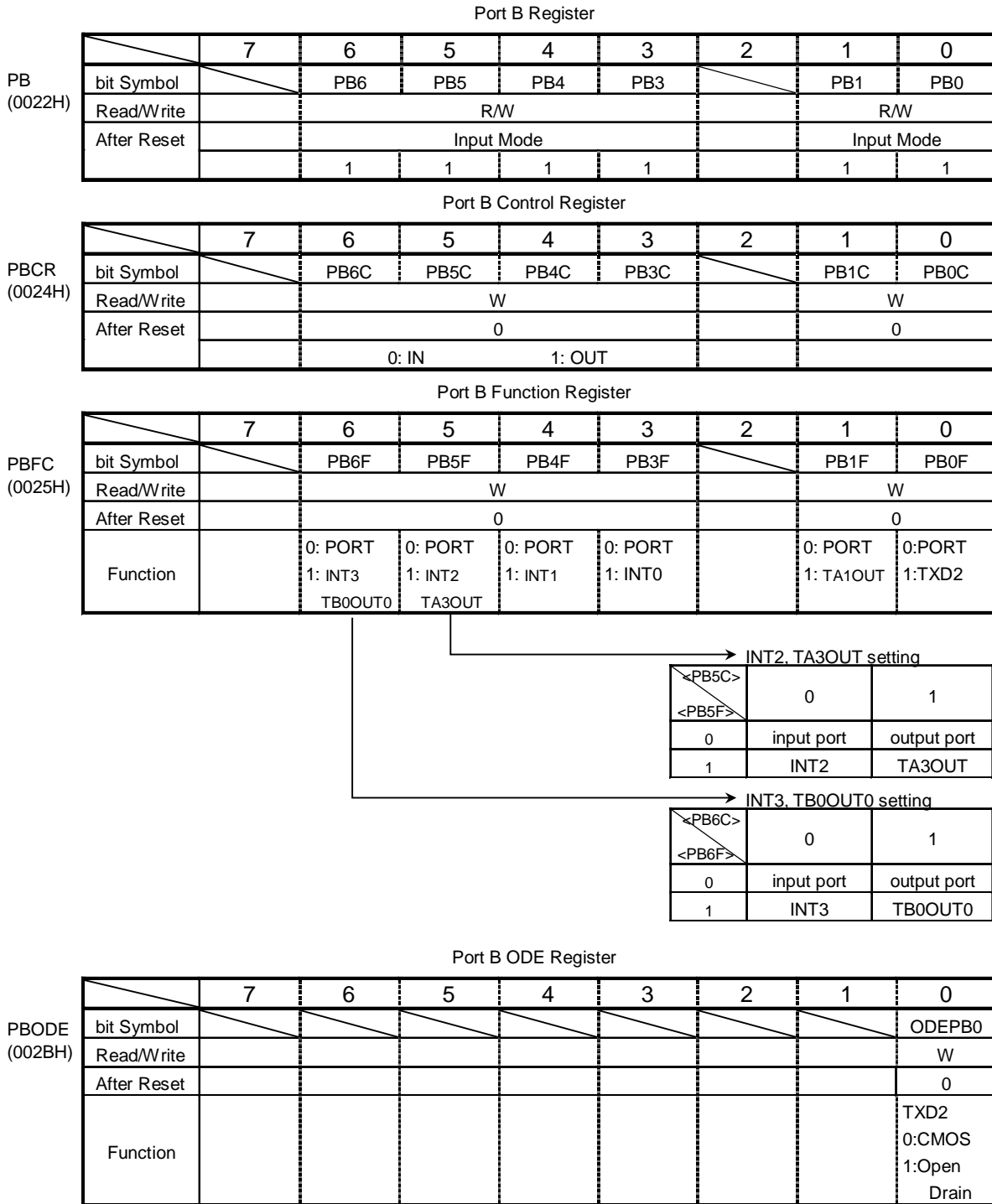


Figure 3.5.34 PB4 to PB6





Note 1: Read-Modify-Write is prohibited for the registers PBCR, PBFC and PBODE.

Note 2: PB0/TA0IN pin does not have a register changing PORT/FUNCTION.  
For example, when it is used as an input port, the input signal is inputted to 8 bit timer.

Note 3: PB1/RXD1 pin does not have a register changing PORT/FUNCTION.  
For example, when it is used as an input port, the input signal is inputted to SIO as the serial receive data.

Figure 3.5.35 Register for Port B

3.5.14 Port C (PC0 to PC5)

Port C0 to C5 are 6-bit general-purpose I/O ports. Each bit can be set individually for input or output. Resetting sets PC0 to PC5 to be an input ports. It also sets all bits of the output latch register to “1”.

In addition to functioning as general-purpose I/O port pins, PC0 to PC5 can also function as the I/O for serial channels 0 and 1. A pin can be enabled for I/O by writing a “1” to the corresponding bit of the Port C Function Register (PCFC).

Resetting resets all bits of the registers PCCR and PCFC to 0 and sets all pins to be input ports .

(1) Port C0, C3 (TXD0/TXD1)

As well as functioning as I/O port pins, port C0 and C3 can also function as serial channel TXD output pins. In case of use TXD0/TXD1, it is possible to logical invert by setting the register PC<PC0,PC3>.

And ports C0 to C3 have a programmable open drain function, which can be control the register PCODE<ODEPC0, ODEPC3>.

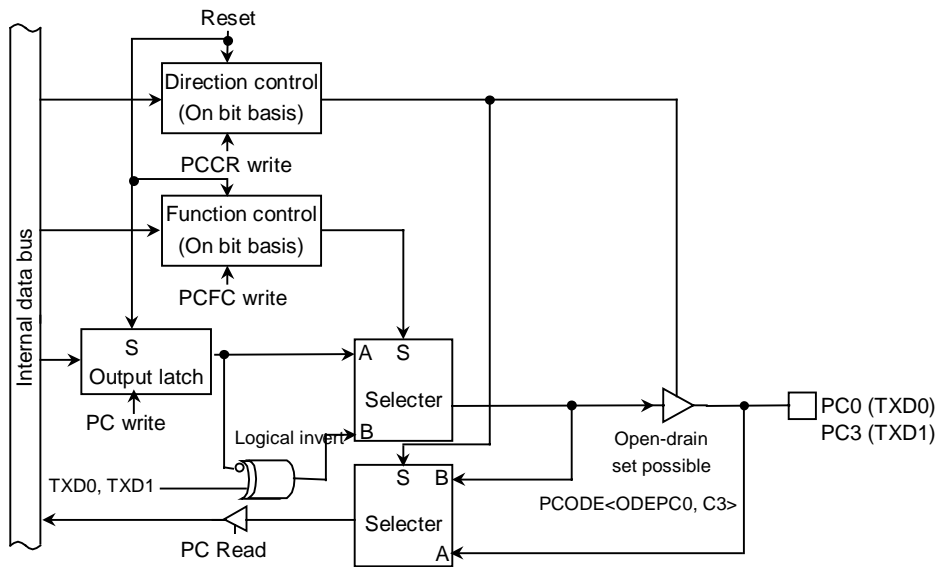


Figure 3.5.36 Port C0 and C3

(2) Port C1, C4 (RXD0, 1)

Port C1 and C4 are I/O port pins and can also be used as RXD input for the serial channels. In case of use RXD0/RXD1, it is possible to logical invert by setting the register PC<PC1,PC4>.

And input data of SIO0 can be selected from RXD/PC1 pin or OPTRX0/P70 by setting the register PCFC2<P70F2>.

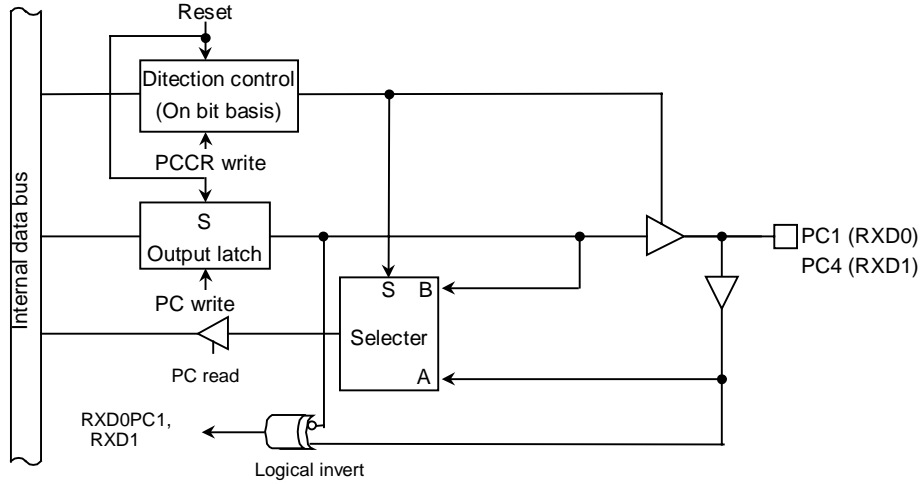


Figure 3.5.37 Port C1 and C4

(3) Port C2 (/CTS0, SCLK0), C5 (/CST1, SCLK1)

Port C2 and C4 are I/O port pins and can also be used as /CTS input or SCLK input/output for the serial channels. In case of use /CTS,SCLK, it is possible to logical invert by setting the register PC<PC2,PC5>.

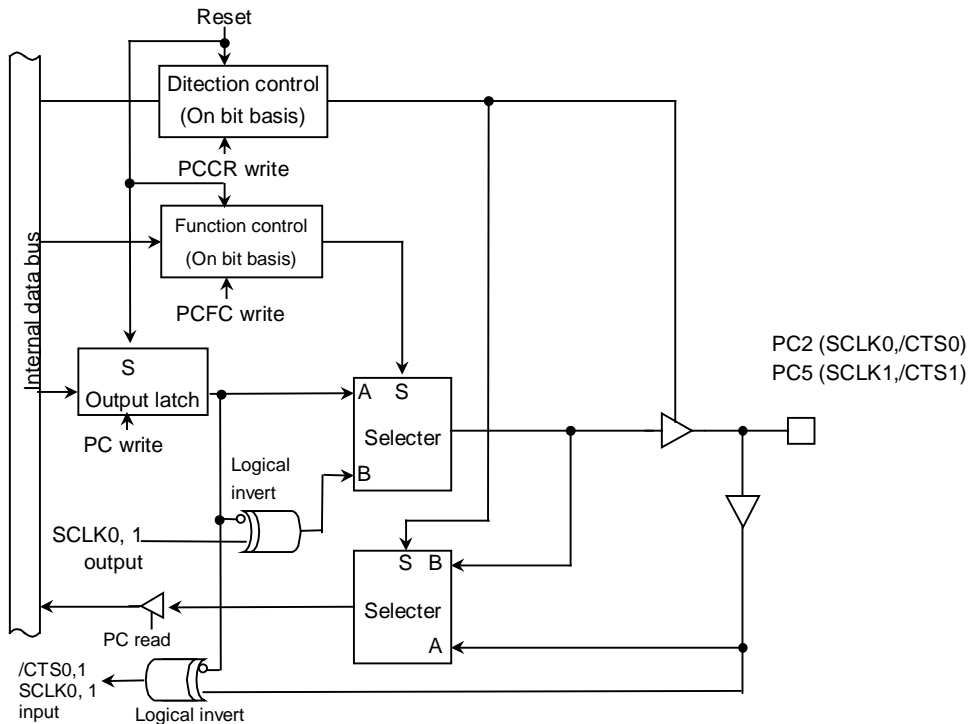


Figure 3.5.38 Port C2 and C5

Port C Register									
	7	6	5	4	3	2	1	0	
PC (0023H)	bit Symbol			PC5	PC4	PC3	PC2	PC1	PC0
	Read/Write			R/W					
	After Reset			Input mode					
			1	1	1	1	1	1	

Port C Control Register									
	7	6	5	4	3	2	1	0	
PCCR (0026H)	bit Symbol			PC5C	PC4C	PC3C	PC2C	PC1C	PC0C
	Read/Write			W					
	After Reset			0	0	0	0	0	0
			0: IN			1: OUT			

Port C Function Register									
	7	6	5	4	3	2	1	0	
PCFC (0027H)	bit Symbol			PC5F		PC3F	PC2F		PC0F
	Read/Write			W		W	W		W
	After Reset			0		0	0		0
Function			0: PORT 1: SCLK1 Output		0: PORT 1: TXD1	0: PORT 1: SCLK0 Out put		0: PORT 1: TXD0	

Port C ODE Register									
	7	6	5	4	3	2	1	0	
PCODE (0028H)	bit Symbol					ODEPC3			ODEPC0
	Read/Write					W			W
	After Reset					0			0
Function					TXD1 0: CMOS 1: Open Drain			TXD0 0: CMOS 1: Open Drain	

Note 1: Read-Modify-Write is prohibited for the registers PCCR, PCFC and PCODE.

Note 2: PC1/RXD0, PC4/RXD1 pins do not have a register changing PORT/FUNCTION. For example, when it is used as an input port, the input signal is inputted to SIO as the serial receive data.

Figure 3.5.39 Register for Port C

3.5.15 Port D (PD0 to PD7)

Port D is an 8-bit output port. Resetting sets the output latch PD to “1”, and PD0 to PD7 pin output “1”.

In addition to functioning as output port, Port D also function as output pin for LCD controller (D1BSCP, D2BLP, D3BFR, DLEBCD and DOFFB), output pin for RTC alarm (/ALARM) and output pin for melody/alarm generator (MLDALM, /MLDALM). Above setting is used the function register PDFC.

Only PD6 has two output function which /ALARM and /MLDALM. This selection is used PD<PD6>. Resetting resets the function register PDFC to “0”, and sets all ports to output ports.

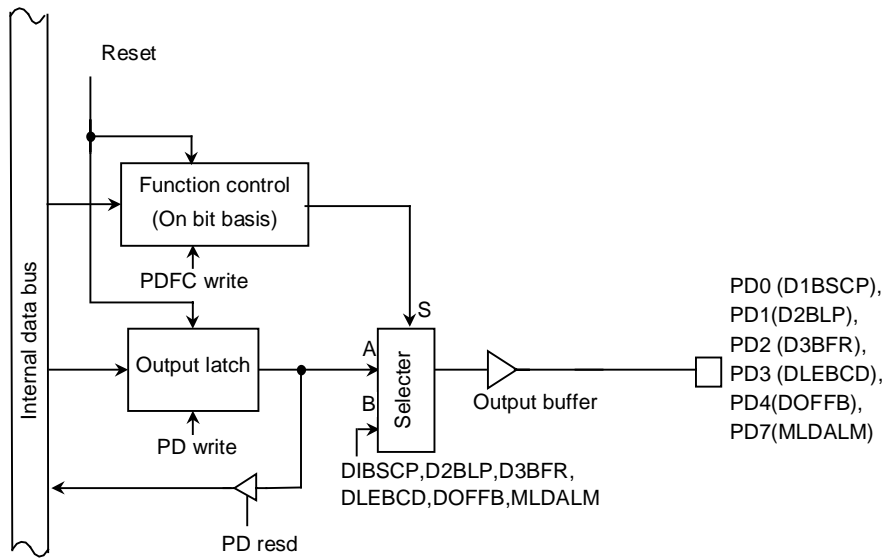


Figure3.5.40 Port D0 to D4, D7

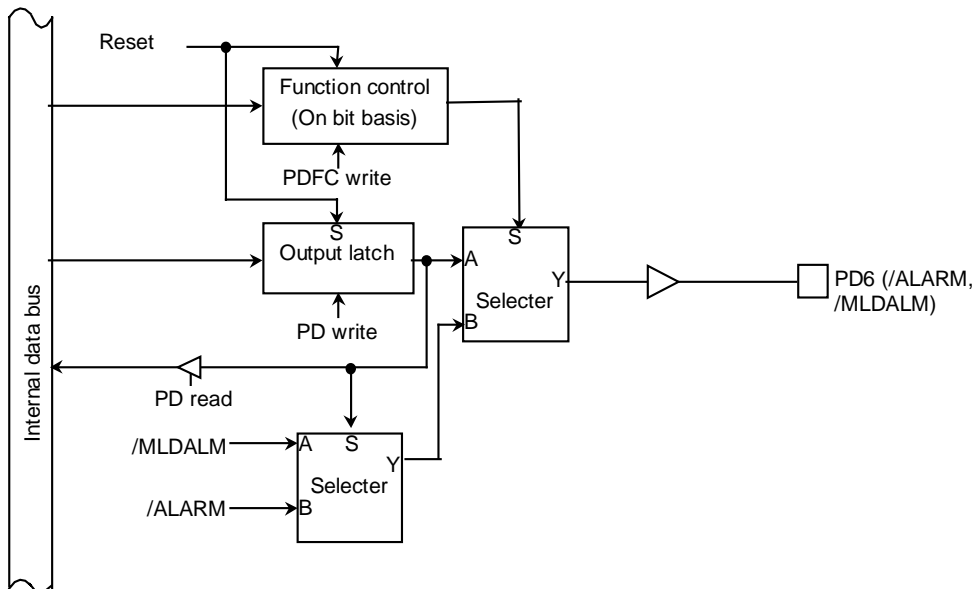


Figure3.5.41 Port D6

		Port D register							
		7	6	5	4	3	2	1	0
PD (0029H)	bit Symbol	PD7	PD6		PD4	PD3	PD2	PD1	PD0
	Read/Write	R/W							
	After Reset	1	1	1	1	1	1	1	1

		Port D function register							
		7	6	5	4	3	2	1	0
PDFC (002AH)	bit Symbol	PD7F	PD6F		PD4F	PD3F	PD2F	PD1F	PD0F
	Read/Write	W							
	After Reset	0							
	Function	0: PORT 1: MLDALM	0: PORT 1: /ALARM @<PD6>=1 1: /MLDALM @<PD6>=0		0: PORT 1: DOFFB	0: PORT 1: DLEBCD	0: PORT 1: D3BFR	0: PORT 1: D2BLP	0: PORT 1: D1BSCP

Note 1: Read-Modify-Write is prohibited for the registers PDFC.

Figure3.5.42 Register for Port D

3.5.16 Port E (PE0 to PE7)

Port E is an 8-bit general-purpose I/O ports. Each bit can be set individually for input or output using the control register PECCR. Resetting , the control register PECCR to “0” and sets Port E to input ports. It also sets all bits of the output latch register to “1”.

In addition to functioning as a general-purpose I/O port, Port E can also function as an data bus for LCD controller (LD0 to LD7). Above setting is used the function register PEFC.

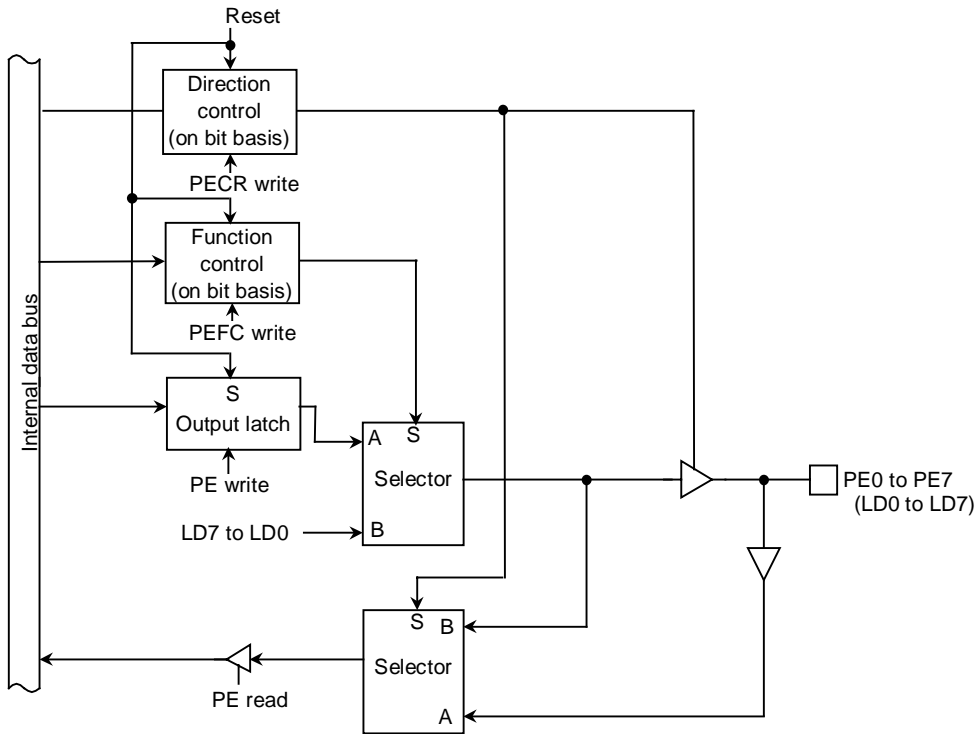


Figure3.5.43 Port E

Port E register										
	7	6	5	4	3	2	1	0		
PER (002CH)	bit Symbol	PE7	PE6	PE5	PE4	PE3	PE2	PE1	PE0	
	Read/Write	R/W								
	After Reset	1	1	1	1	1	1	1	1	

Port E Control Register										
	7	6	5	4	3	2	1	0		
PECR (002DH)	bit Symbol	PE7C	PE6C	PE5C	PE4C	PE3C	PE2C	PE1C	PE0C	
	Read/Write	W								
	After Reset	0	0	0	0	0	0	0	0	
	Function	0: IN 1: OUT								

Port E Function Register										
	7	6	5	4	3	2	1	0		
PEFC (002EH)	bit Symbol	PE7F	PE6F	PE5F	PE4F	PE3F	PE2F	PE1F	PE0F	
	Read/Write	W								
	After Reset	0	0	0	0	0	0	0	0	
	Function	0: Port 1: data bus for LCDC (LD7 to LD0)								

Note 1: Read-Modify-Write is prohibited for PECCR and PEFC.

Figure3.5.44 Register for Port E

3.5.17 Port F (PF0 to PF7)

Port F is an 8-bit output port. Resetting sets the output latch PF to “1”, and PF0 to PF7 pin output “1”.

In addition to functioning as output port, Port F also function as output pin for SDRAM controller (SDCKE,SDCLK,SDLQ,SDUDQ,SDWE), and output pin for SSIO (SSCLK). Above setting is used the function register PFFC.

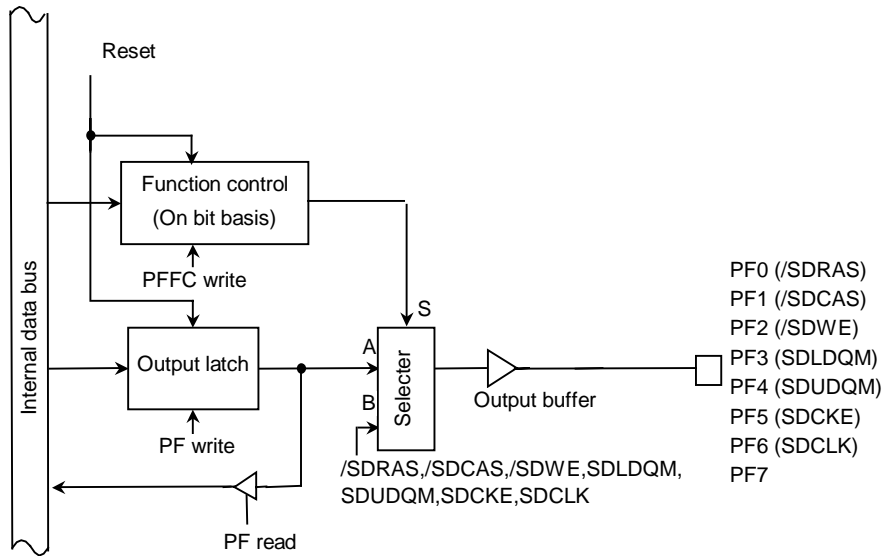


Figure3.5.45 Port F

Port F register								
	7	6	5	4	3	2	1	0
PF (0030H)	PF7	PF6	PF5	PF4	PF3	PF2	PF1	PF0
Read/Write	R/W							
After Reset	1	1	1	1	1	1	1	1

Port F function register								
	7	6	5	4	3	2	1	0
PFFC (0032H)		PF6F	PF5F	PF4F	PF3F	PF2F	PF1F	PF0F
Read/Write	W							
After Reset		1	0					
Function	Always fixed to "0"	0: PORT 1: SDCLK	0: PORT 1: SDCKE	0: PORT 1: SDUDQM	0: PORT 1: SDLQ	0: PORT 1: /SDWE	0: PORT 1: /SDCAS	0: PORT 1: /SDRAS

Note 1: Read-Modify-Write is prohibited for the registers PFFC.

Figure3.5.46 Register for Port F



## 3.6 Chip Select/Wait Controller

On the TMP91C820A, four user-specifiable address areas (/CS0 to /CS3) can be set. The data bus width and the number of waits can be set independently for each address area (/CS0 to /CS3 and others).

The pins /CS0 to /CS3 (which can also function as port pins P60 to P63) are the respective output pins for the areas CS0 to CS3. When the CPU specifies an address in one of these areas, the corresponding /CS0 to /CS3 pin outputs the Chip Select signal for the specified address area (in ROM or SRAM). However, in order for the Chip Select signal to be output, the Port 6 Function Register P6FC must be set.

/CS2A to /CS2G and /CSEXA (CS pin except /CS0 to /CS3) are made by MMU.

These pins is /CS pin that area and BANK value is fixed without concern in setting of CS/WAIT controller.

The areas CS0 to CS3 are defined by the values in the Memory Start Address Registers MSAR0 to MSAR3 and the Memory Address Mask Registers MAMR0 to MAMR3.

The Chip Select/Wait Control Registers B0CS to B3CS and BEXCS should be used to specify the Master Enable/Disable status the data bus width and the number of waits for each address area.

The input pin controlling these states is the bus wait request pin (/WAIT).

### 3.6.1 Specifying an Address Area

The CS0 to CS3 address areas are specified using the start address registers (MSAR0 to MSAR3) and memory address mask registers (MAMR0 to MAMR3).

At each bus cycle, a compare operation is performed to determine if the address on the specified a location in the CS0 to CS3 area. If the result of the comparison is a match, this indicates an access to the corresponding CS area. In this case, the /CS0 to /CS3 pin outputs the chip select signal and the bus cycle operates in accordance with the settings in chip select/wait control register B0CS to B3CS. (See 3.6.2, Chip Select/Wait Control Registers.)

(1) Memory Start Address Registers

Figure 3.6.1 shows the Memory Start Address Registers. The Memory Start Address Registers MSAR0 to MSAR3 set the start addresses for the CS0 to CS3 areas. Set the upper eight bits (A23 to A16) of the start address in <S23: S16>. The lower 16 bits of the start address (A15 to A0) are permanently set to 0. Accordingly, the start address can only be set in 64-Kbyte increments, starting from 000000H. Figure 3.6.2 shows the relationship between the start address and the start address register value.

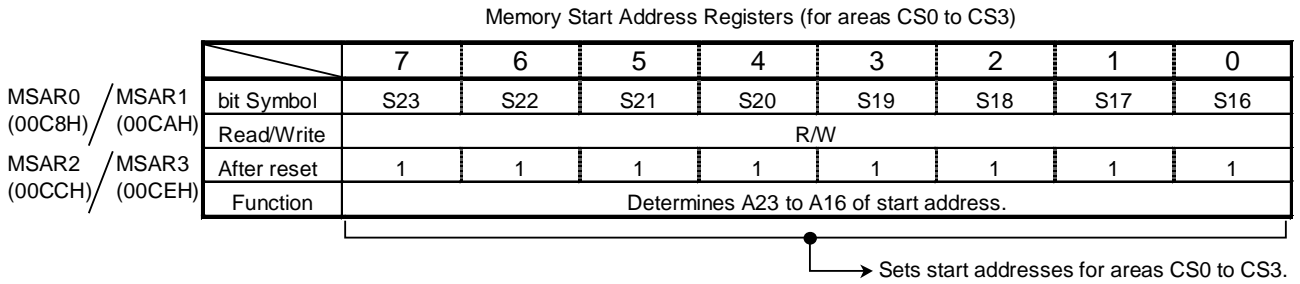


Figure 3.6.1 Memory Start Address Register

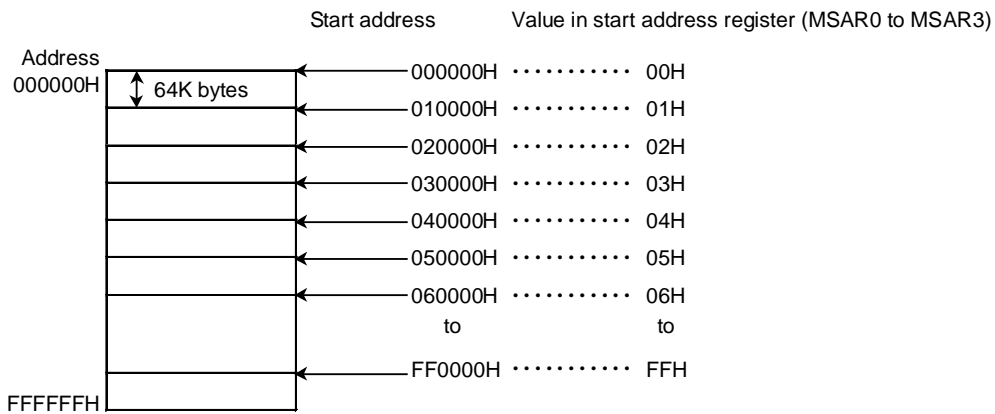


Figure 3.6.2 Relationship between Start Address and start Address Register Value

## (2) Memory Address Mask Registers

Figure 3.6.3 shows the Memory Address Mask Registers. Memory address mask registers MAMR0 to MAMR3 are used to set the size of the CS0 to CS3 areas by specifying a mask for each bit of the start address set in memory start address registers MAMR0 to MAMR3. The compare operation used to determine if an address is in the CS0 to CS3 areas is only performed for bus address bits corresponding to bits set to “0” in these registers. Also, the address bits that can be masked by MAMR0 to MAMR3 differ between CS0 to CS3 areas. Accordingly, the size that can be each area is different.

Memory address mask register (for CS0 area)

		7	6	5	4	3	2	1	0
MAMR0 (00C9H)	bit Symbol	V20	V19	V18	V17	V16	V15	V14 to 9	V8
	Read/Write	R/W							
	After Reset	1	1	1	1	1	1	1	1
	Function	Sets size of CS0 area 0: used for address compare							

Range of possible settings for CS0 area size: 256 bytes to 2 Mbytes

Memory address mask register (CS1)

		7	6	5	4	3	2	1	0
MAMR1 (00CBH)	bit Symbol	V21	V20	V19	V18	V17	V16	V15 to 9	V8
	Read/Write	R/W							
	After Reset	1	1	1	1	1	1	1	1
	Function	Sets size of CS1 area 0: Used for address compare							

Range of possible settings for CS1 area size: 256 bytes to 4M bytes.

Memory address mask register (CS2, CS3)

		7	6	5	4	3	2	1	0
MAMR2 / MAMR3 (00CDH) / (00CFH)	bit Symbol	V22	V21	V20	V19	V18	V17	V16	V15
	Read/Write	R/W							
	After reset	1	1	1	1	1	1	1	1
	Function	Sets size of CS2 or CS3 area 0: used for address compare							

Range of possible settings for CS2 and CS3 area sizes: 32 Kbytes to 8 Mbytes.

Figure 3.6.3 Memory Address mask Registers

(3) Setting Memory Start Addresses and Address Areas

Figure 3.6.4 show an example of specifying a 64-Kbyte-address area starting from 010000H using the CS0 areas.

Set “01H” in memory start address register MSAR0<S23: 16>(corresponding to the upper 8 bits of the start address). Next, calculate the difference between the start address and the anticipated end address (01FFFFH) based on the size of the CS0 area. Bits 20 to 8 of the result correspond to the mask value to be set for the CS0 area. Setting this value in memory address mask register MAMR0<V20: 8>sets the area size This example sets 07H in MAMR0 to specify a 64K-byte area.

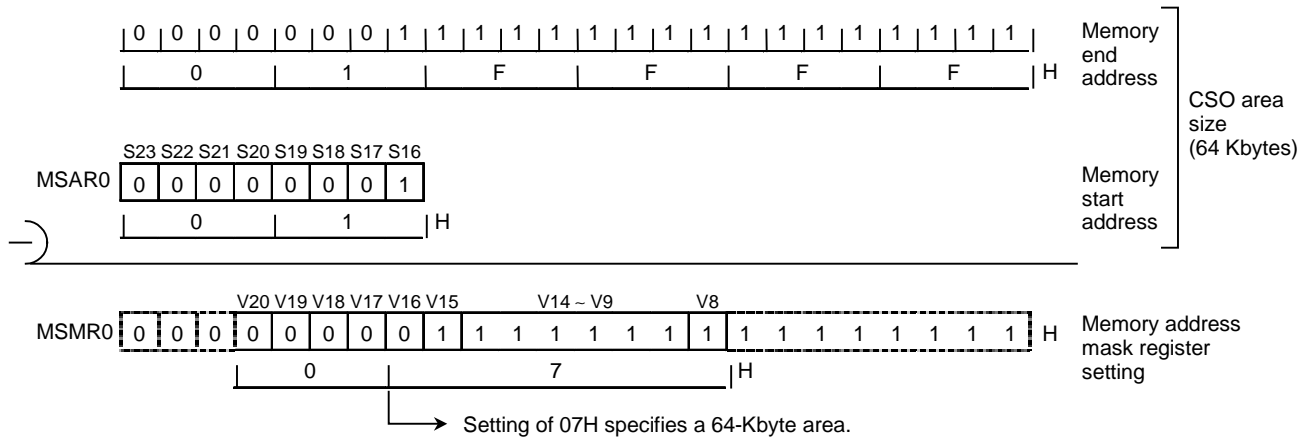


Figure 3.6.4 Example showing how to set the CS0 area

After a reset, MSAR0 to MSAR3 and MAMR0 to MAMR3 are set to “FFH”. B0CS<B0E>, B1CS<B1E> and B3CS<B3E> are reset to “0”. This disabling the CS0, CS1 and CS3 areas. However, as B2CS<B2M> to “0” and B2CS<B2E> to “1”, CS2 is enabled from 000FE0H-000FFFH to 003000H-FFFFFFH in TMP91C820A. Also, the bus width and number of waits specified in BEXCS are used for accessing addresses outside the specified CS0 to CS3 area. (See 3.6.2, Chip Select/Wait Control Registers.)

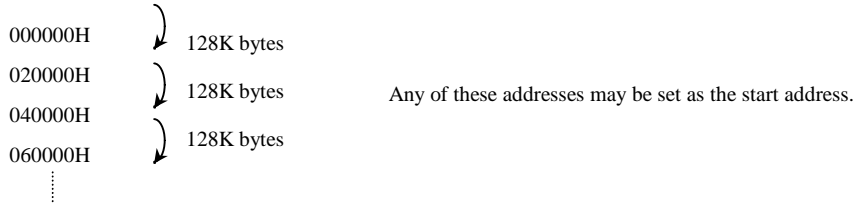
(4) Address Area Size Specification

Table 3.6.1 shows the relationship between CS area and area size. Indicates areas that cannot be set by memory start address register and address mask register combinations. When setting an area size using a combination indicated by , set the start address mask register in the desired steps starting from 000000H.

If the CS2 area is set to 16M-bytes or if two or more areas overlap, the smaller CS area number has the higher priority.

Example: To set the area size for CS0 to 128 Kbytes:

① Valid start addresses



② Invalid start addresses

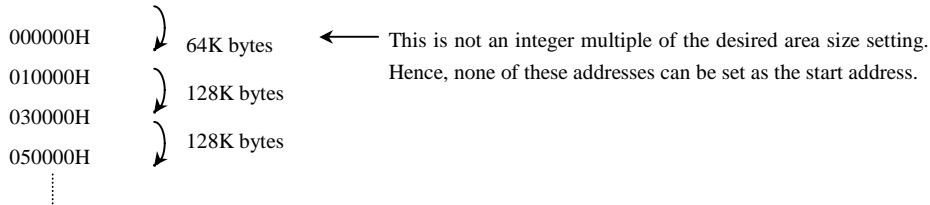


Table 3.6.1 Valid area sizes for each CS area

Size (bytes) CS area	256	512	32 K	64 K	128 K	256 K	512 K	1 M	2 M	4 M	8 M
CS0											
CS1											
CS2											
CS3											

Note: Indicates areas that cannot be set by memory start address register and address mask register combinations.

3.6.2 Chip Select/Wait Control Registers

Figure 3.6.5 lists the Chip Select/Wait Control Registers.

The Master Enable/Disable, Chip Select output waveform, data bus width and number of wait states for each address area (CS0 to CS3 and others) are set in their respective chip select/wait control registers, B0CS to B3CS and BEXCS.

Chip Select/Wait Control Register

	7	6	5	4	3	2	1	0	
B0CS (00C0H)	Bit symbol	B0E		B0OM1	B0OM0	B0BUS	B0W2	B0W1	B0W0
	Read/Write	W				W			
	After Reset	0		0	0	0	0	0	0
	Function	0: Disable 1: Enable		Chip Select output waveform selection 00: For ROM/SRAM 01: } Don't care 10: } 11: }	Data bus width 0: 16 bits 1: 8 bits	Number of Waits 000: 2 waits    100: reserved 001: 1 wait    101: 3 waits 010: 1 wait + N    110: 4 waits 011: 0 waits    111: 8 waits			
B1CS (00C1H)	Bit Symbol	B1E		B1OM1	B1OM0	B1BUS	B1W2	B1W1	B1W0
	Read/Write	W				W			
	After Reset	0		0	0	0	0	0	0
	Function	0: Disable 1: Enable		Chip Select output waveform selection 00: For ROM/SRAM 01: } Don't care 10: } 11: }	Data bus width 0: 16 bits 1: 8 bits	Number of Waits 000: 2 waits    100: reserved 001: 1 wait    101: 3 waits 010: 1 wait + N    110: 4 waits 011: 0 waits    111: 8 waits			
B2CS (00C2H)	Bit Symbol	B2E	B2M	B2OM1	B2OM0	B2BUS	B2W2	B2W1	B2W0
	Read/Write					W			
	After Reset	1	0	0	0	0	0	0	0
	Functions	0: Disable 1: Enable	CS2 area selection 0: 16-Mbyte area 1: CS area	Chip Select output waveform selection 00: For ROM/SRAM 01: } Don't care 10: } 11: }	Data bus width 0: 16 bits 1: 8 bits	Number of waits 000: 2 waits    100: reserved 001: 1 wait    101: 3 waits 010: 1 wait + N    110: 4 waits 011: 0 waits    111: 8 waits			
B3CS (00C3H)	Bit Symbol	B3E		B3OM1	B3OM0	B3BUS	B3W2	B3W1	B3W0
	Read/Write	W				W			
	After Reset	0		0	0	0	0	0	0
	Functions	0: Disable 1: Enable		Chip Select output waveform selection 00: For ROM/SRAM 01: } Don't care 10: } 11: }	Data bus width 0: 16 bits 1: 8 bits	Number of waits 000: 2 waits    100: reserved 001: 1 wait    101: 3 waits 010: 1 wait + N    110: 4 waits 011: 0 waits    111: 8 waits			
BEXCS (00C7H)	Bit Symbol					BEXBUS	BEXW2	BEXW1	BEXW0
	Read/Write						0		
	After Reset					0	0	0	0
	Functions					Data bus width 0: 16 bits 1: 8 bits	Number of Waits 000: 2 waits    100: reserved 001: 1 wait    101: 3 waits 010: 1 wait + N    110: 4 waits 011: 0 waits    111: 8 waits		

Master enable bit

0	disable
1	enable

Chip select output waveform selection

00	For ROM/SRAM
01	Don't care
10	
11	

Number of address area waits  
(See 3.6.2, (3) Wait Control.)

CS2 area selection

0	16-Mbyte area
1	Specified address area

Data bus width selection

0	16-bit data bus
1	8-bit data bus

Figure 3.6.5 Chip Select/Wait Control Registers

(1) Master Enable bits

Bit 7 (<B0E>, <B1E>, <B2E> or <B3E>) of a chip select/wait control register is the master bit, which is used to enable or disable settings for the corresponding address area. Writing “1” to this bit enables the settings. Reset disables (sets to “0”) <B0E>, <B1E> and <B3E>, and enabled (sets to “1”) <B2E>. This enables area CS2 only.

(2) Data bus width selection

Bit 3 (<B0BUS>, <B1BUS>, <B2BUS>, <B3BUS> or <BEXBUS>) of a chip select/wait control register specifies the width of the data bus. This bit should be set to “0” when memory is to be accessed using a 16-bit data bus and to “1” when an 8-bit data bus is to be used.

This process of changing the data bus width according to the address being accessed is known as “dynamic bus sizing”. For details of this bus operation see Table 3.6.2.

Table 3.6.2 Dynamic bus sizing

Operand Data Bus Width	Operand Start Address	Memory Data Bus Width	CPU Address	CPU Data		Control for READ cycle							Control for WRITE cycle																							
				D15 to D8	D7 to D0	/R/W	/RD	/WR	/HWR	/SRLB	/SRUB	/SRWR	/R/W	/RD	/WR	/HWR	/SRLB	/SRUB	/SRWR																	
8 bits	2n+0 (Even number)	8 bits	2n+0	XXXX	b7-b0	H	L	H	H	L	H	H	L	H	L	H	L	H	L	H																
		16 bits	2n+0	XXXX	b7-b0																L	H	L	H												
	2n+1 (Odd number)	8 bits	2n+1	XXXX	b7-b0																L	H	L	H												
		16 bits	2n+1	b7-b0	XXXX																H	L	H	L												
16 bits	2n+0 (Even number)	8 bits	2n+0 2n+1	XXXX XXXX	b7-b0 b15-b8																L	H	L	H												
		16 bits	2n+0	b15-b8	b7-b0																L	L	L	L												
	2n+1 (Odd number)	8 bits	2n+1 2n+2	XXXX XXXX	b7-b0 b15-b8																L	H	L	H												
		16 bits	2n+1 2n+2	b7-b0 XXXX	XXXX b15-b8																H	L	H	L												
32 bits	2n+0 (Even number)	8 bits	2n+0 2n+1 2n+2 2n+3	XXXX XXXX XXXX XXXX	b7-b0 b15-b8 b23-b16 b31-b24																L	H	L	H												
		16 bits	2n+0 2n+2	b15-b8 b31-b24	b7-b0 b23-b16																L	L	L	L												
	2n+1 (Odd number)	8 bits	2n+1 2n+2 2n+3 2n+4	XXXX XXXX XXXX XXXX	b7-b0 b15-b8 b23-b16 b31-b24	L	H	L	H																											
		16 bits	2n+1 2n+2 2n+4	b7-b0 b23-b16 XXXX	XXXX b15-b8 b31-b24	H	L	H	L																											
																						L	L	L	L											
																						L	H	L	H											

xxxx: Indicates that the input data from these bits are ignored during a read. During a write, indicates that the bus for these bits goes too high-impedance; also, that the write strobe signal for the bus remains inactive.



## (3) Wait control

Bits 0 to 2 (<B0W0 to B0W2>, <B1W0 to B1W2>, <B2W0 to B2W2>, <B3W0 to B3W2>, <BEXW0 to BEXW2>) of a chip select/wait control register specify the number of waits that are to be inserted when the corresponding memory area is accessed.

The following types of wait operation can be specified using these bits. Bit settings other than those listed in the table should not be made.

Table 3.6.3 Wait operation settings

<BxW2 ~ BxW0>	No. of Waits	Wait Operation
000	2WAIT	Inserts a wait of 2 states, irrespective of the $\overline{\text{WAIT}}$ pin state.
001	1WAIT	Inserts a wait of 1 state, irrespective of the $\overline{\text{WAIT}}$ pin state.
010	1WAIT + N	Samples the state of the $\overline{\text{WAIT}}$ pin after inserting a wait of one state. If the $\overline{\text{WAIT}}$ pin is Low, the waits continue and the bus cycle is extended until the pin goes high.
011	0WAIT	Ends the bus cycle without a wait, regardless of the $\overline{\text{WAIT}}$ pin state.
100	Reserved	Invalid setting
101	3WAIT	Inserts a wait of 3 state, irrespective of the $\overline{\text{WAIT}}$ pin state.
110	4WAIT	Inserts a wait of 4 state, irrespective of the $\overline{\text{WAIT}}$ pin state.
111	8WAIT	Inserts a wait of 8 state, irrespective of the $\overline{\text{WAIT}}$ pin state.

A Reset sets these bits to “000” (2 waits).

## (4) Bus width and wait control for an area other than CS0 to CS3

The chip select/wait control register BEXCS controls the bus width and number of waits when memory locations, which are not in one of the four user-specified address areas (CS0 to CS3), are accessed. The BEXCS register settings are always enabled for areas other than CS0 to CS3.

## (5) Selecting 16-Mbyte area/specified address area

Setting B2CS<B2M> (bit 6 of the chip select/wait control register for CS2) to “0” designates the 16-Mbyte area (000FE0H-000FFFH, 003000H-FF7FFFH) as the CS2 area. Setting B2CS<B2M> to “1” designates the address area specified by the start address register MSAR2 and the address mask register MAMR2 as CS2 (i.e. if B2CS<B2M> = 1, CS2 is specified in the same manner as CS0, CS1 and CS3 are).

A Reset clears this bit to “0”, specifying CS2 as 16-M bytes address area.

## (6) Procedure for setting chip select/wait control

When using the chip select/wait control function, set the registers in the following order:

- ① Set the Memory Start Address Registers MSAR0 to MSAR3.

Set the start addresses for CS0 to CS3.

- ② Set the Memory Address Mask Registers MAMR0 to MAMR3.

Set the sizes of CS0 to CS3.

- ③ Set the chip select/wait control registers B0CS to B3CS.

Set the Chip Select output waveform, data bus width, number of waits and Master Enable/Disable status for /CS0 to /CS3.

The CS0 to S3 pins can also function as pins P60 to P63. To output a Chip Select signal using one of these pins, set the corresponding bit in the Port 6 Function Register P6FC to “1”. If a CS0 “to S3 address is specified which is actually an internal I/O and RAM area address, the CPU accesses the internal address area and no Chip Select signal is output on any of the /CS0 to /CS3 pins.

Setting example:

In this example CS0 is set to be the 64-Kbyte area 010000H to 01FFFFH. The bus width is set to 16 bits and the number of waits is set to 0.

MSAR0 = 01H..... Start address: 010000H

MAMR0 = 07H..... Address area: 64 Kbytes

B0CS = 83H..... ROM/SRAM, 16-bit data bus, zero waits, CS0 area settings enabled

### 3.6.3 Connecting external memory

Figure 3.6.6 shows an example of how to connect external memory to the TMP91C820A. In this example the ROM is connected using a 16-bit bus. The RAM and I/O are connected using an 8-bit bus.

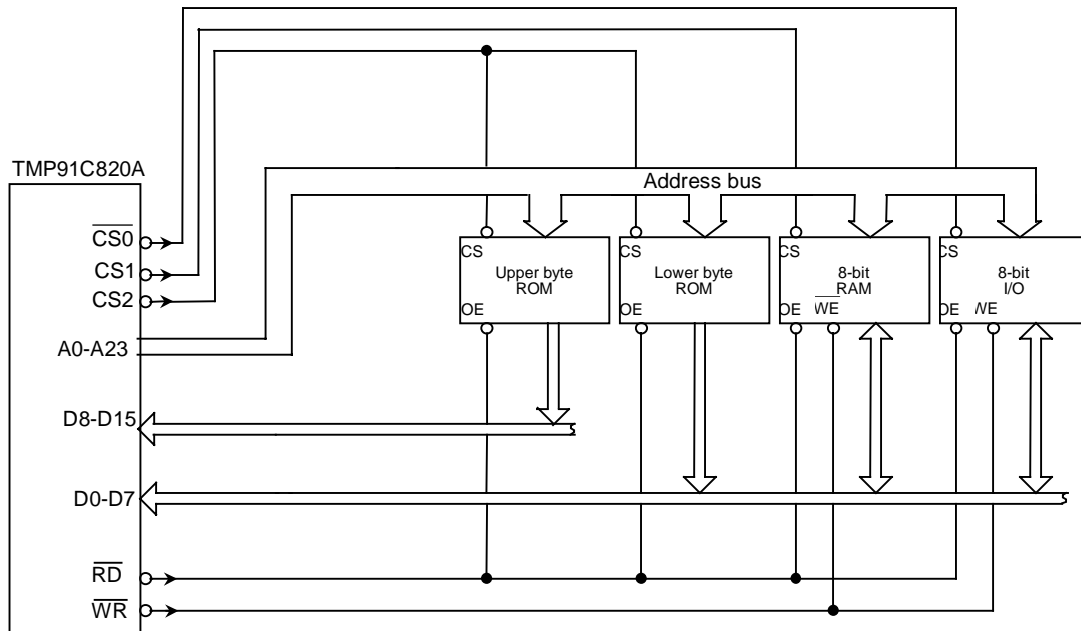


Figure 3.6.6 Example of external memory connection  
(ROM uses 16-bit bus; RAM and I/O use 8-bit bus.)

A Reset clears all bits of the Port 6 Control Register P6CR and the Port 6 Function Register P6FC to “0” and disables output of the CS signal. To output the CS signal, the appropriate bit must be set to “1”.

### 3.7 8-bit Timers (TMRA)

The TMP91C820A features 4 built-in 8-bit timers.

These timers are paired into four modules: TMRA01 and TMRA23. Each module consists of two channels and can operate in any of the following four operating modes.

- 8-Bit Interval Timer Mode
- 16-Bit Interval Timer Mode
- 8-Bit Programmable Square Wave Pulse Generation Output Mode (PPG: variable duty cycle with variable period)
- 8-Bit Pulse Width Modulation Output Mode (PWM – variable duty cycle with constant period)

Figure 3.7.1 to Figure 3.7.2 Show block diagrams for TMRA01 and TMRA23.

Each channel consists of an 8-bit up-counter, an 8-bit comparator and an 8-bit timer register. In addition, a timer flip-flop and a prescaler are provided for each pair of channels.

The operation mode and timer flip-flops are controlled by five controls SFR (special-function registers).

Each of the two modules (TMRA01 and TMRA23) can be operated independently. All modules operate in the same manner; hence only the operation of TMRA01 is explained here.

The contents of this chapter are as follows.

- 3.7.1 Block diagrams
- 3.7.2 Operation of each circuit
- 3.7.3 SFR
- 3.7.4 Operation in each mode
  - (1) 8-Bit Timer Mode
  - (2) 16-Bit Timer Mode
  - (3) 8-Bit PPG (programmable pulse generation) Output Mode
  - (4) 8-Bit PWM (pulse width modulation) Output Mode
  - (5) Mode settings

Table 3.7.1 Registers and pins for each module

Module		TMRA01	TMRA23
External pin	Input pin for external clock	TA0IN (shared with PB0)	No
	Output pin for timer flip-flop	TA1OUT (shared with PB1)	TA3OUT (shared with PB5)
SFR (address)	Timer run register	TA01RUN (0100H)	TA23RUN (0108H)
	Timer register	TA0REG (0102H) TA1REG (0103H)	TA2REG (010AH) TA3REG (010BH)
	Timer mode register	TA01MOD (0104H)	TA23MOD (010CH)
	Timer flip-flop control register	TA1FFCR (0105H)	TA3FFCR (010DH)

3.7.1 Block diagrams

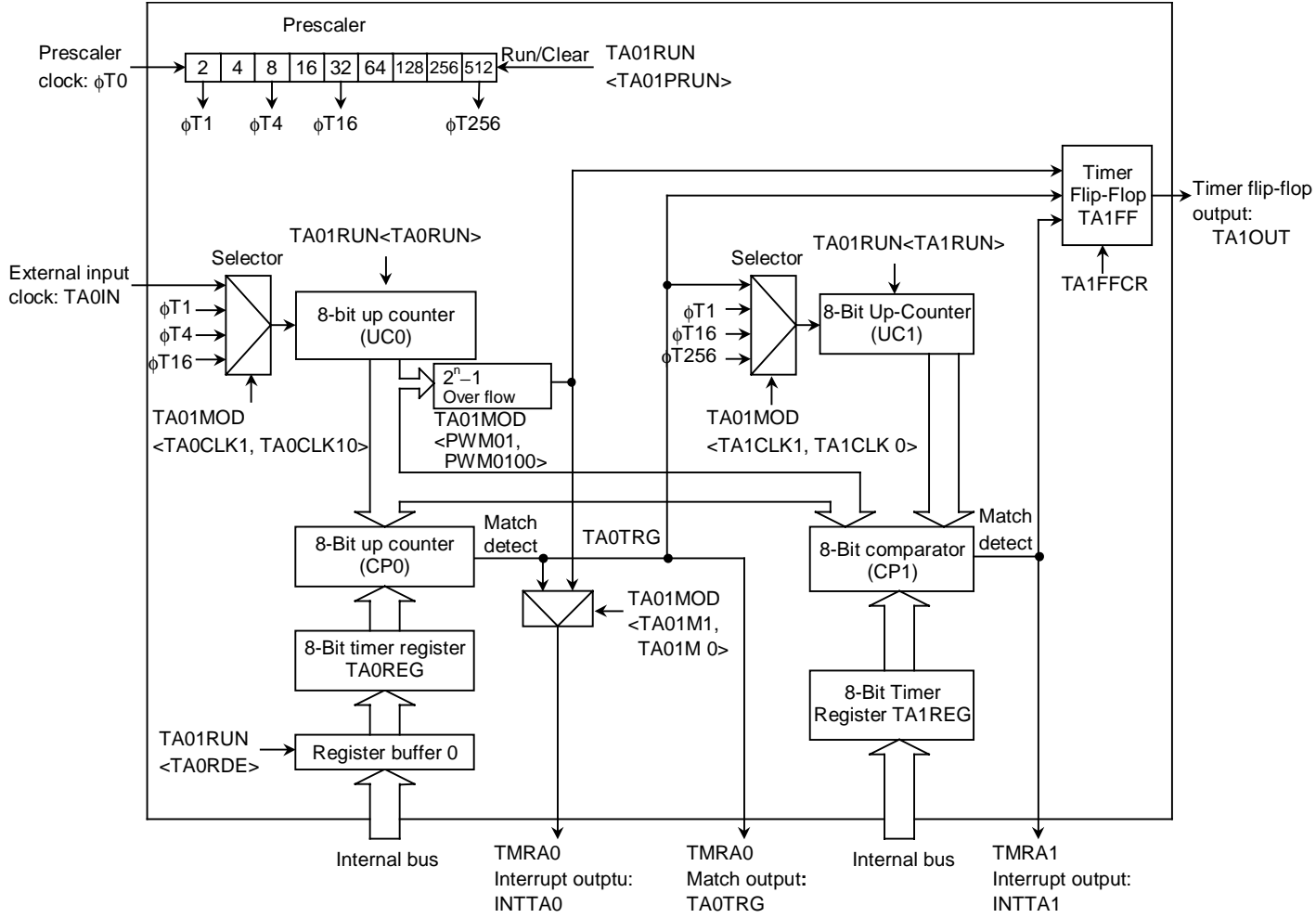
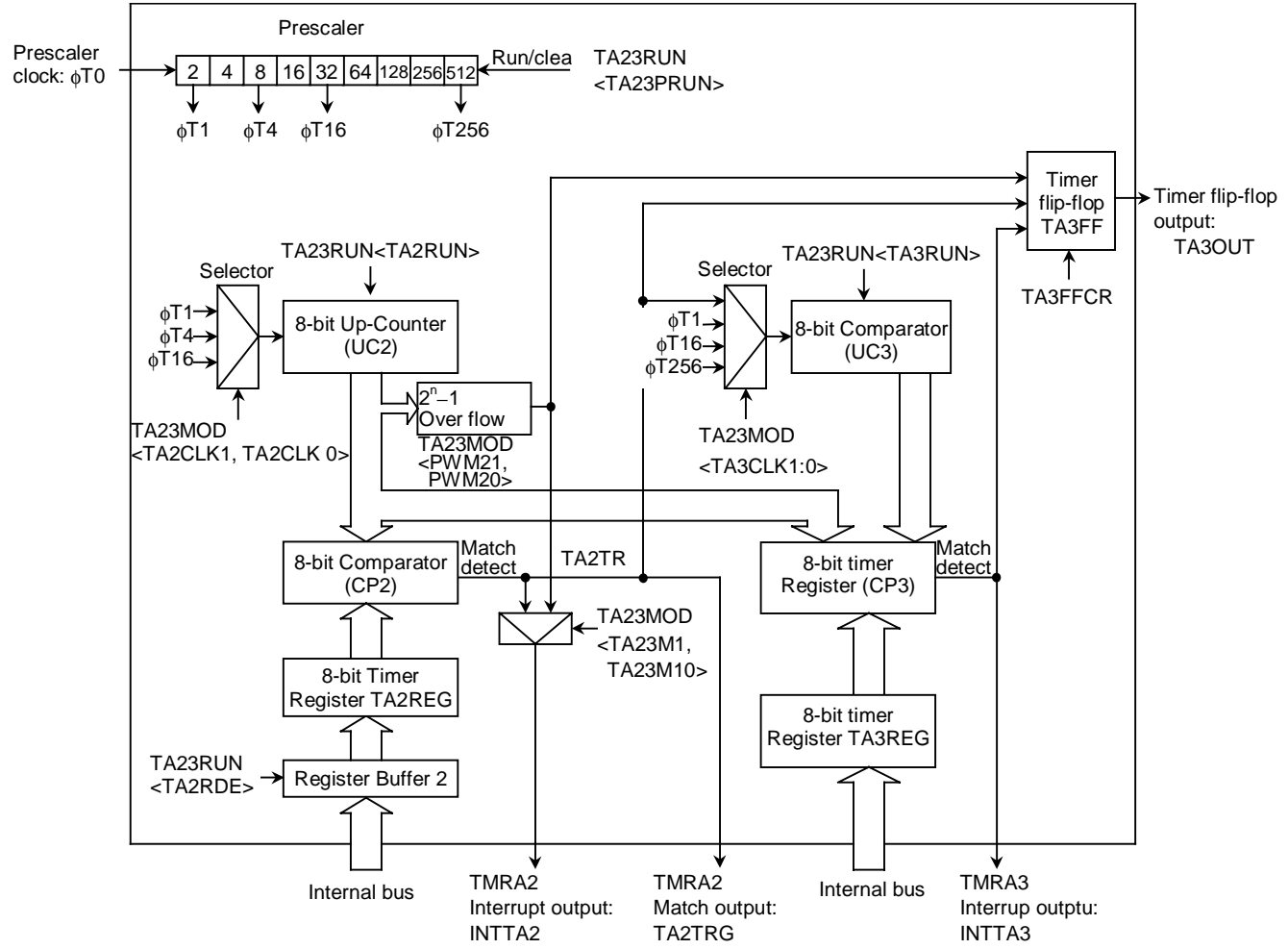


Figure 3.7.1 TMRA01 block diagram

Figure 3.7.2 TMRA23 block diagram



### 3.7.2 Operation of each circuit

#### (1) Prescaler

A 9-bit prescaler generates the input clock to TMRA01.

The clock  $T_0$  is divided by 4 and input to this prescaler.  $T_0$  can be either  $f_{FPH}$  or  $f_c/16$  and is selected using the Prescaler Clock Selection Register SYSCR0<PRCK1,PRCK0>.

The prescaler operation can be controlled using TA01RUN<TA0PRUN> in the timer control register. Setting <TA0PRUN> to “1” starts the count; setting <TA0PRUN> to “0” clears the prescaler to zero and stops operation. Table 3.7 (2) shows the various prescaler output clock resolutions.

Table 3.7.2 Prescaler output clock resolution

@ $f_c = 16$  MHz,  $f_s = 32.768$  kHz

System Clock Selection <SYSCK>	Prescaler Clock Selection <PRCK1,PRCK0>	Gear Value <GEAR2~GEAR0>	Prescaler Output Clock Resolution			
			$\phi T_1$	$\phi T_4$	$\phi T_{16}$	$\phi T_{256}$
1 ( $f_s$ )		XXX	$f_s/2^3$ (244 $\mu s$ )	$f_s/2^5$ (977 $\mu s$ )	$f_s/2^7$ (3.9 $\mu s$ )	$f_s/2^{11}$ (62.5 $\mu s$ )
0 ( $f_c$ )	00 ( $f_{FPH}$ )	000 ( $f_c$ )	$f_c/2^3$ (0.5 $\mu s$ )	$f_c/2^5$ (2.0 $\mu s$ )	$f_c/2^7$ (8.0 $\mu s$ )	$f_c/2^{11}$ (128 $\mu s$ )
		001 ( $f_c/2$ )	$f_c/2^4$ (1.0 $\mu s$ )	$f_c/2^6$ (4.0 $\mu s$ )	$f_c/2^8$ (16 $\mu s$ )	$f_c/2^{12}$ (256 $\mu s$ )
		010 ( $f_c/4$ )	$f_c/2^5$ (2.0 $\mu s$ )	$f_c/2^7$ (8.0 $\mu s$ )	$f_c/2^9$ (32 $\mu s$ )	$f_c/2^{13}$ (512 $\mu s$ )
		011 ( $f_c/8$ )	$f_c/2^6$ (4.0 $\mu s$ )	$f_c/2^8$ (16 $\mu s$ )	$f_c/2^{10}$ (64 $\mu s$ )	$f_c/2^{14}$ (1024 $\mu s$ )
		100 ( $f_c/16$ )	$f_c/2^7$ (8.0 $\mu s$ )	$f_c/2^9$ (32 $\mu s$ )	$f_c/2^{11}$ (128 $\mu s$ )	$f_c/2^{15}$ (2048 $\mu s$ )
	10 ( $f_c/16$ CLOCK)	XXX	$f_c/2^7$ (8.0 $\mu s$ )	$f_c/2^9$ (32 $\mu s$ )	$f_c/2^{11}$ (128 $\mu s$ )	$f_c/2^{15}$ (2048 $\mu s$ )

xxx: Don't care

#### (2) Up-counters (UC0 and UC1)

These are 8-bit binary counters which count up the input clock pulses for the clock specified by TA01MOD.

The input clock for UC0 is selectable and can be either the external clock input via the TA0IN pin or one of the three internal clocks  $T_1$ ,  $T_4$  or  $T_{16}$ . The clock setting is specified by the value set in TA01MOD<TA01CLK1,TA01CLK0>.

The input clock for UC1 depends on the operation mode. In 16-Bit Timer Mode, the overflow output from UC0 is used as the input clock. In any mode other than 16-Bit Timer Mode, the input clock is selectable and can either be one of the internal clocks  $T_1$ ,  $T_{16}$  or  $T_{256}$ , or the comparator output (the match detection signal) from TMRA0.

For each interval timer the timer operation control register bits TA01RUN<TA0RUN> and TA01RUN<TA1RUN> can be used to stop and clear the up-counters and to control their count. A Reset clears both up-counters, stopping the timers.

## (3) Timer registers (TA0REG and TA1REG)

These are 8-bit registers, which can be used to set a time interval. When the value set in the timer register TA0REG or TA1REG matches the value in the corresponding up-counter, the Comparator Match Detect signal goes Active. If the value set in the timer register is 00H, the signal goes Active when the up counter overflows.

The TA0REG are double buffer structure, each of which makes a pair with register buffer.

The setting of the bit TA01RUN<TA0RDE> determines whether TA0REG's double buffer structure is enabled or disabled. It is disabled if <TA0RDE> = "0" and enabled if <TA0RDE> = "1". When the double buffer is enabled, data is transferred from the register buffer to the timer register when a  $2^n - 1$  overflow occurs in PWM Mode, or at the start of the PPG cycle in PPG Mode. Hence the double buffer cannot be used in Timer Mode.

A Reset initializes <TA0RDE> to "0", disabling the double buffer. To use the double buffer, write data to the timer register, set <TA0RDE> to "1", and write the following data to the register buffer. Figure 3.7.3 show the configuration of TA0REG.

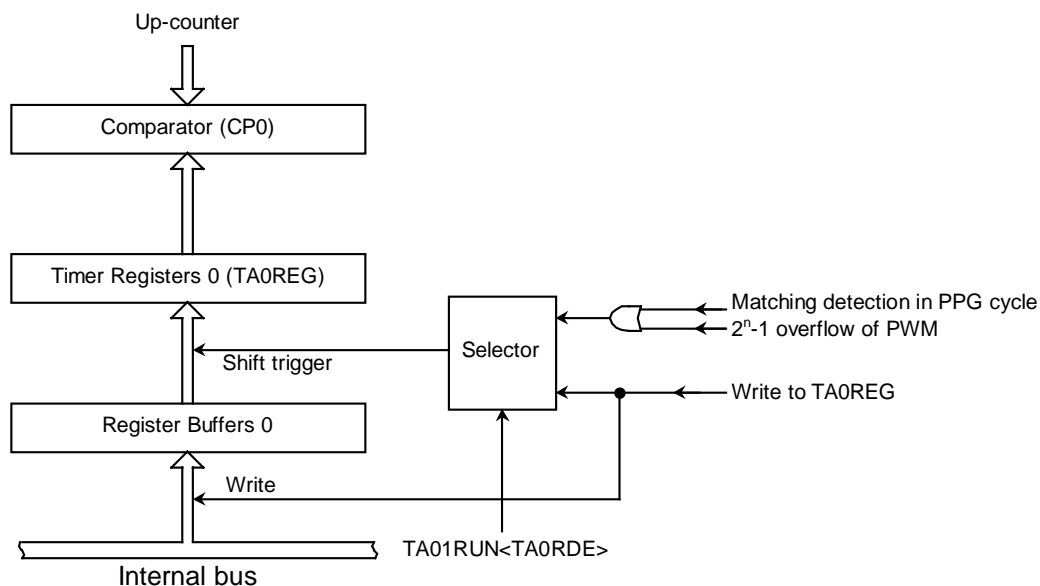


Figure 3.7.3 Configuration of TA0REG

Note: The same memory address is allocated to the timer register and the register buffer. When <TA0RDE> = 0, the same value is written to the register buffer and the timer register; when <TA0RDE> = 1, only the register buffer is written to.

The address of each timer register is as follows.

TA0REG: 000102H	TA1REG: 000103H
TA2REG: 00010AH	TA3REG: 00010BH

All these registers are write-only and cannot be read.

(4) Comparator (CP0)

The comparator compares the value in an up counter with the value set in a timer register. If they match, the up counter is cleared to zero and an interrupt signal (INTTA0 or INTTA1) is generated. If timer flip-flop inversion is enabled, the timer flip-flop is inverted at the same time.

(5) Timer flip-flop (TA1FF)

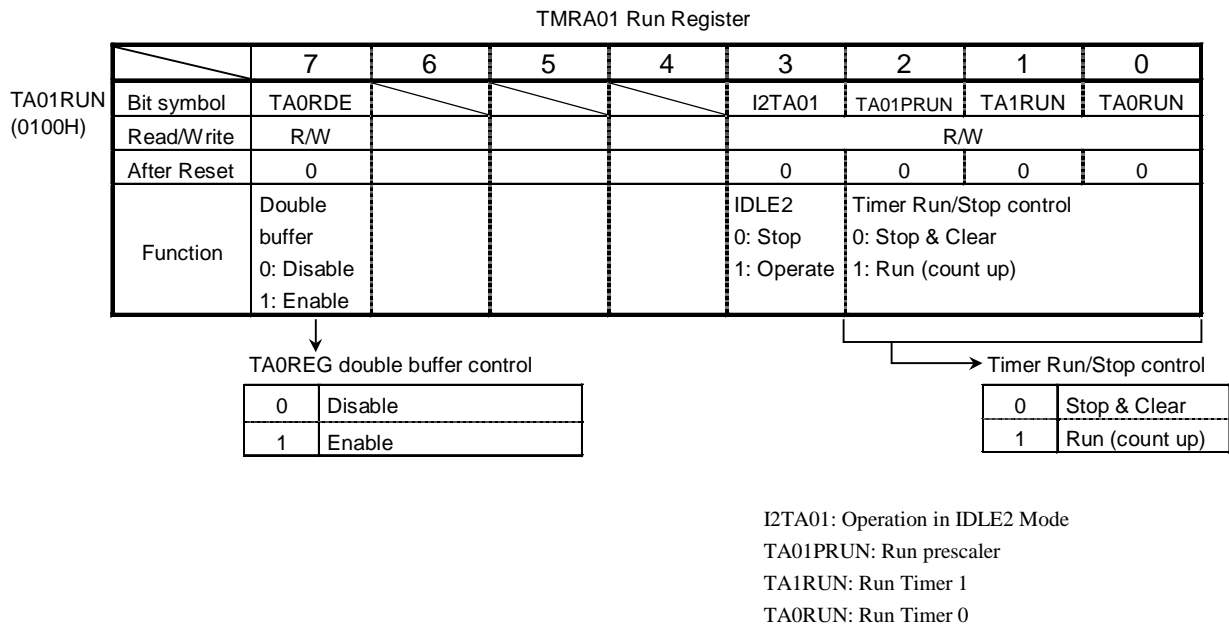
The timer flip-flop (TA1FF) is a flip-flop inverted by the match detects signal (8-bit comparator output) of each interval timer.

Whether inversion is enabled or disabled is determined by the setting of the bit TA1FFCR<TAFF1IE> in the Timer flip-flops Control Register A. Reset clears the value of TA1FF to "0". Writing "01" or "10" to TA1FFCR<TAFF1C1, TAFF1C0> sets TA1FF to 0 or 1. Writing "00" to these bits inverts the value of TA1FF (this is known as software inversion).

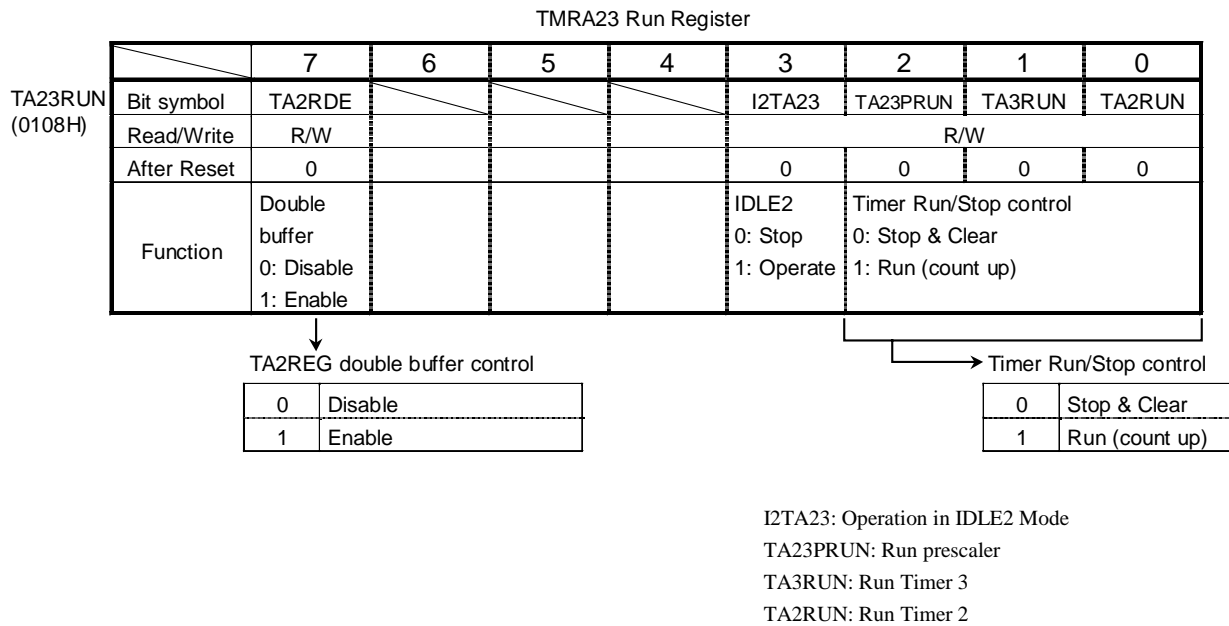
The TA1FF signal is output via the TA1OUT pin (which can also be used as PB1). When this pin is used as the timer output, the timer flip-flop should be set beforehand using the Port B Function Register PBCR, PBFC.



3.7.3 SFR



Note: The values of bits 4 to 6 of TA01RUN are undefined when read.



Note: The values of bits 4 to 6 of TA23RUN are undefined when read.

Figure 3.7.3 Register for TMRA

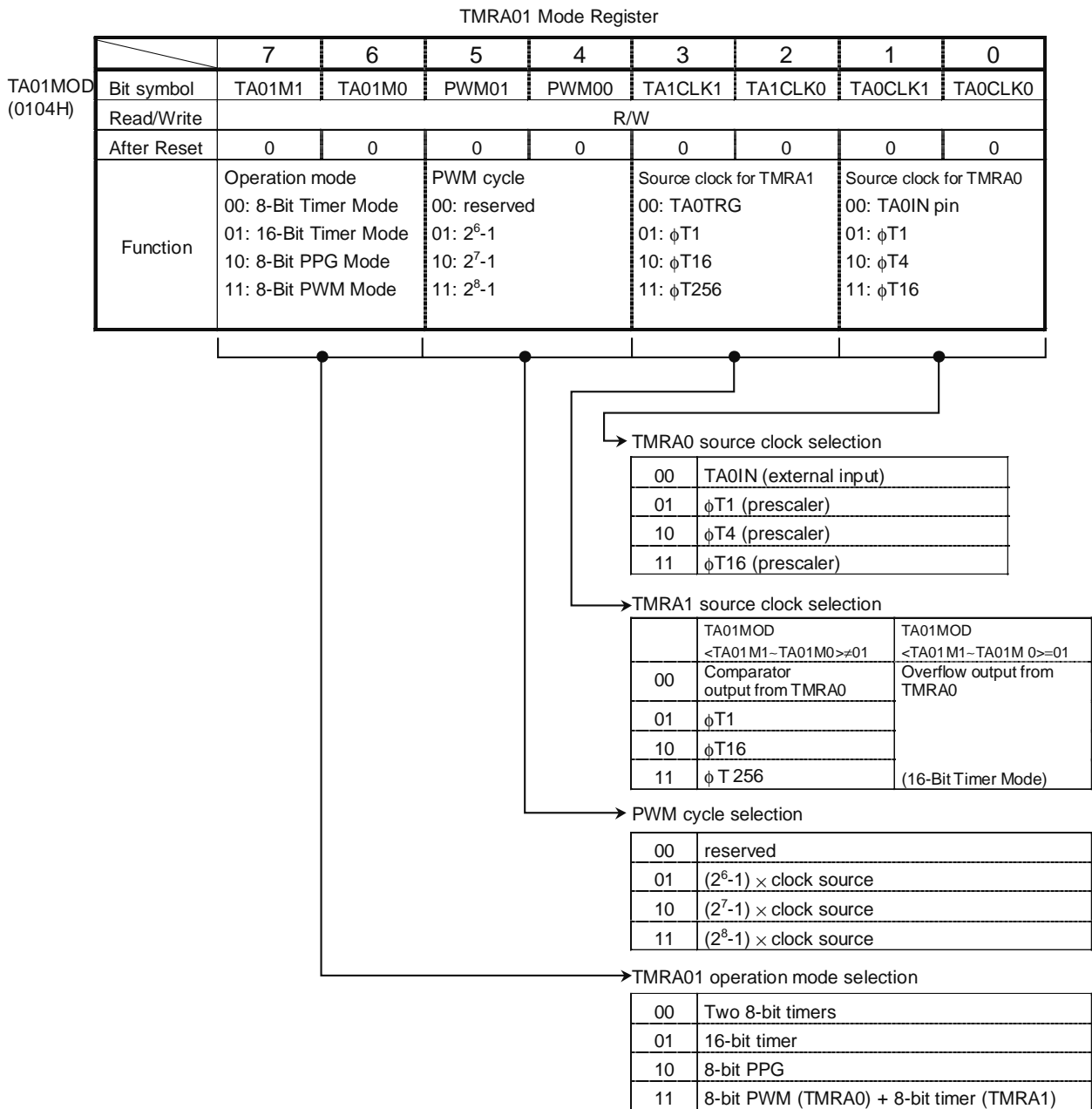


Figure 3.7.4 TMRA registers

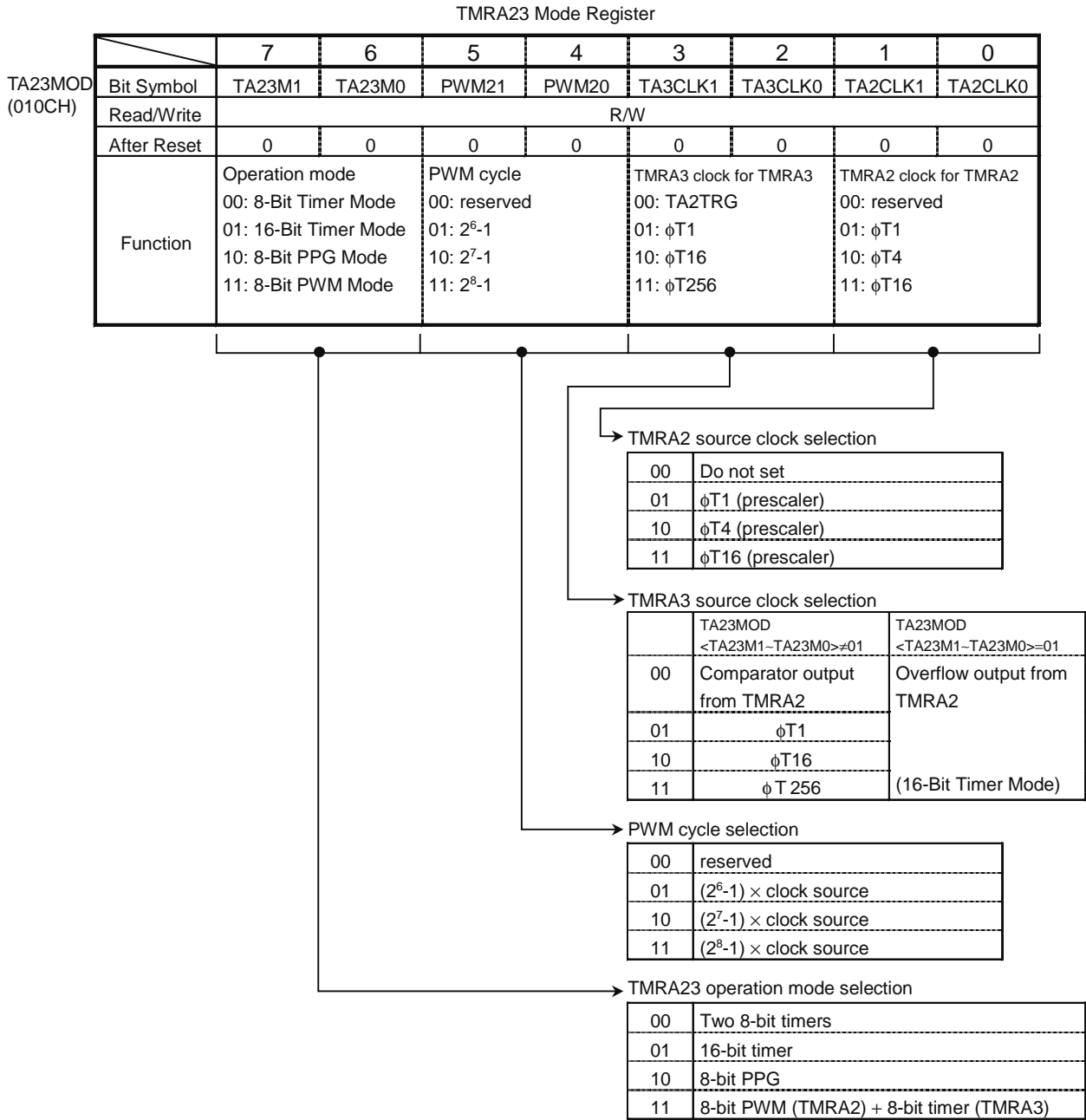


Figure 3.7.5 TMRA registers

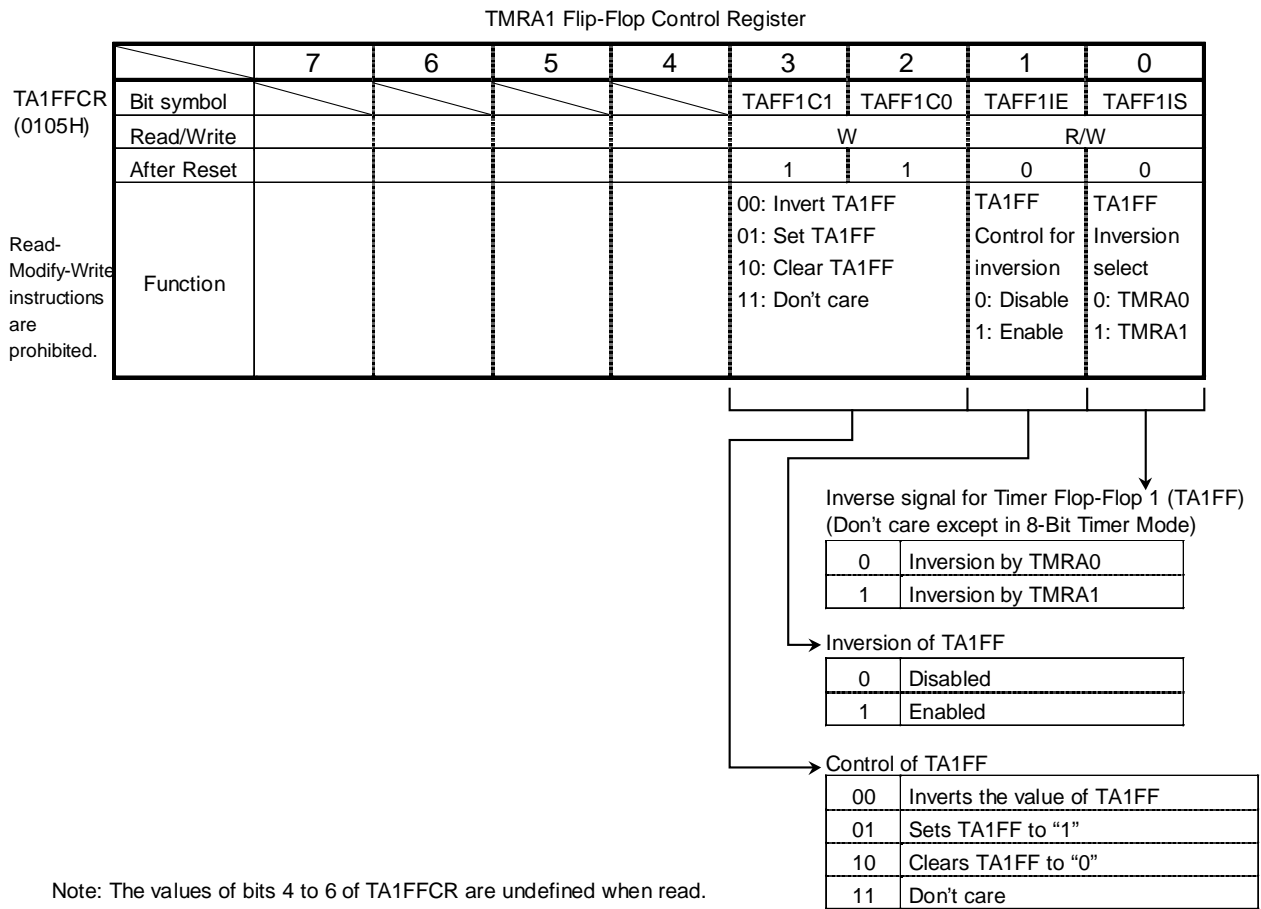


Figure 3.7.6 TMRA registers

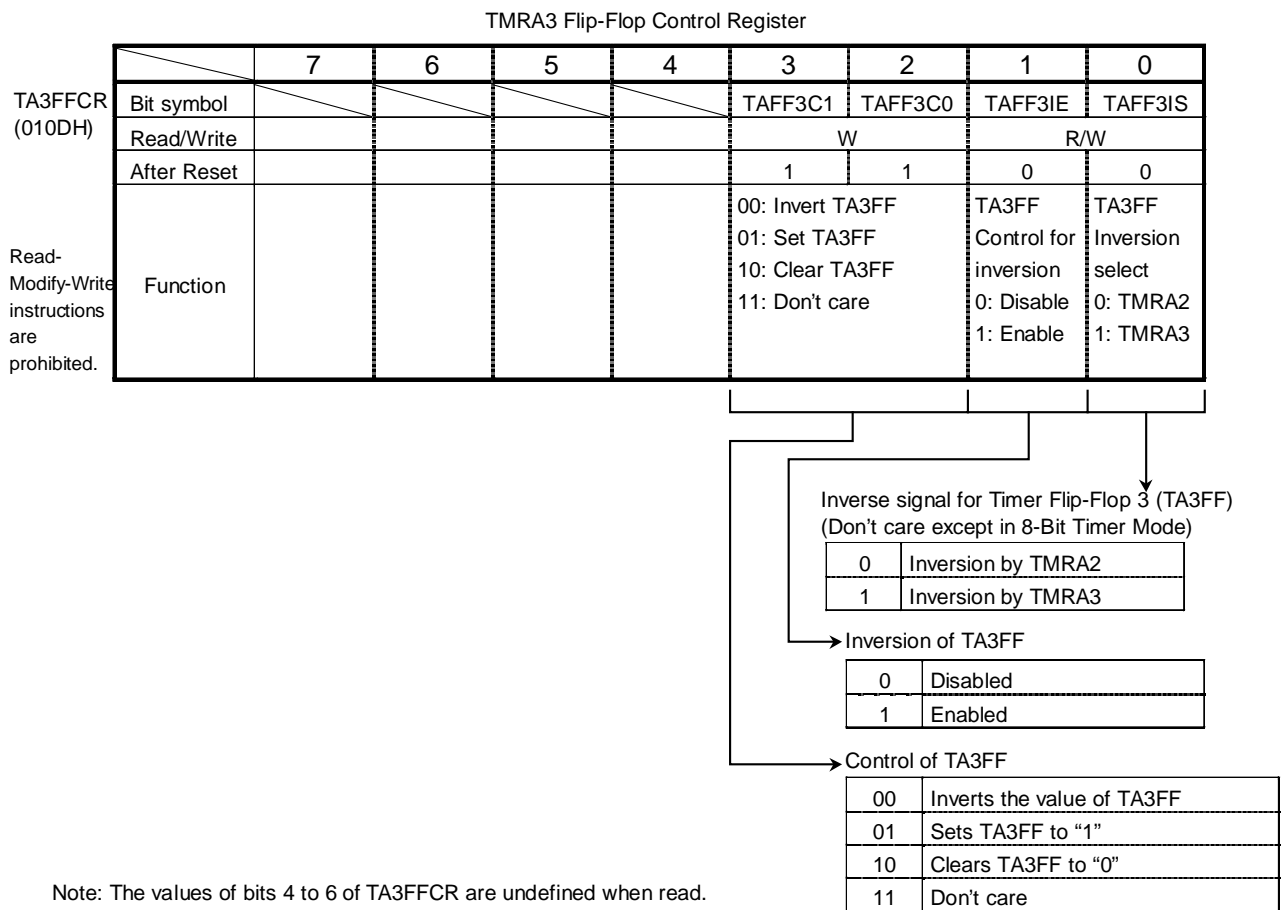


Figure 3.7.7 TMRA register

## 3.7.4 Operation in each mode

## (1) 8-Bit Timer Mode

Both TMRA0 and TMRA1 can be used independently as 8-bit interval timers.

## ① Generating interrupts at a fixed interval (using TMRA1)

To generate interrupts at constant intervals using TMRA1 (INTTA1), first stop TMRA1 then set the operation mode, input clock and a cycle to TA01MOD and TA1REG register, respectively. Then, enable the interrupt INTTA1 and start TMRA1 counting.

Example: To generate an INTTA1 interrupt every 20  $\mu$ s at  $f_c = 16$  MHz, set each register as follows:

		* Clock state									
		System clock: High frequency ( $f_c$ )									
		Prescaler clock: $f_{PPH}$									
		MSB							LSB		
			7	6	5	4	3	2	1	0	
{	TA01RUN	←	-	-	X	X	-	-	0	-	Stop TMRA1 and clear it to 0.
	TA01MOD	←	0	0	X	X	1	0	-	-	Select 8-Bit Timer Mode and select $\phi T1$ (0.5 $\mu$ s at $f_c = 16$ MHz) as the input clock.
	TA1REG	←	0	0	1	0	1	0	0	0	Set TA1REG to $20 \mu\text{s} \div \phi T1 = 40 = 28\text{H}$
	INTETA01	←	X	1	0	1	-	-	-	-	Enable INTTA1 and set it to Level 5.
	TA01RUN	←	-	-	X	X	X	-	1	1	-

Note: X = Don't care; "-" = No change

Select the input clock using Table 3.7 2.

Note: The input clocks for TMRA0 and TMRA1 are different from as follows.

TMRA0: TA0IN input,  $\phi T1$ ,  $\phi T4$  or  $\phi T16$

TMRA1: Match output of TMRA0,  $\phi T1$ ,  $\phi T16$ ,  $\phi T256$

② Generating a 50% duty ratio square wave pulse

The state of the timer flip-flop (TA1FF) is inverted at constant intervals and its status output via the timer output pin (TA1OUT).

Example: To output a 3.0- $\mu$ s square wave pulse from the TA1OUT pin at  $f_c = 16$  MHz, use the following procedure to make the appropriate register settings. This example uses TMRA1; however, either TMRA0 or TMRA1 may be used.

		* Clock state									
		System clock: High frequency ( $f_c$ )									
		Clock gear: 1 ( $f_c$ )									
		Prescaler clock: $f_{PPH}$									
		7	6	5	4	3	2	1	0		
TA01RUN	←	-	X	X	X	-	-	0	-	Stop TMRA1 and clear it to 0.	
	TA01MOD	←	0	0	X	X	0	1	-	Select 8-Bit Timer Mode and select T1 (0.5 $\mu$ s at $f_c = 16$ MHz) as the input clock.	
	TA1REG	←	0	0	0	0	0	0	1	1	Set the timer register to 3.0 $\mu$ s $\div \phi T1 \div 2 = 3$
	TA1FFCR	←	X	X	X	X	1	0	1	1	Clear TA1FF to "0" and set it to invert on the match detects signal from TMRA1.
PBCR	←	X	-	-	-	-	X	1	-	Set PB1 to function as the TA1OUT pin.	
PBFC	←	X	-	-	-	-	X	1	-		
TA01RUN	←	-	X	X	X	-	1	1	-	Start TMRA1 counting.	

Note: X = Don't care; "-" = No change

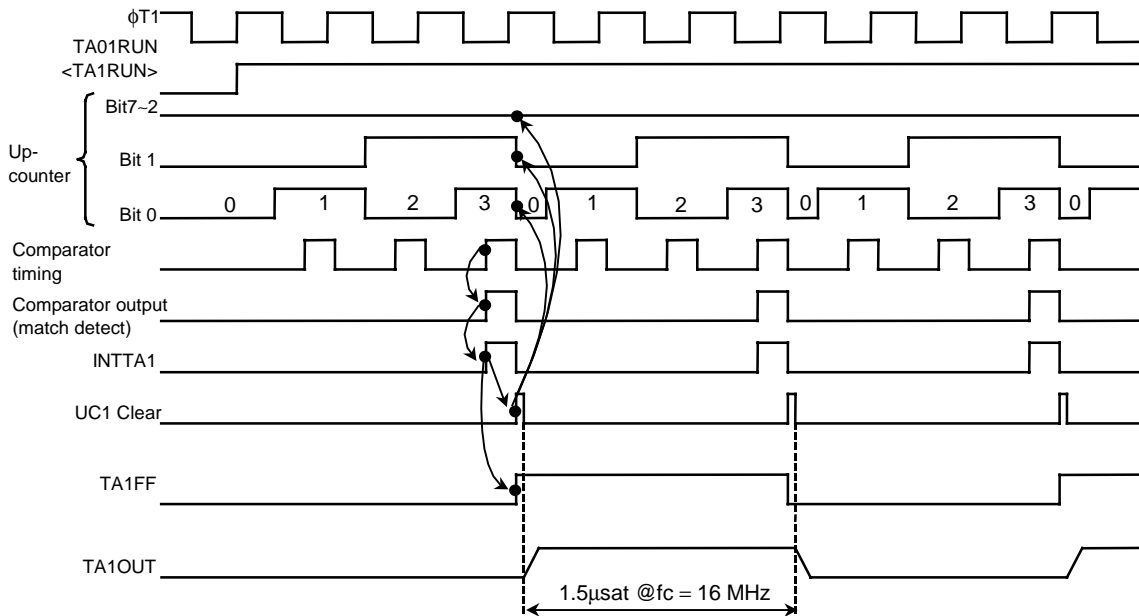


Figure 3.7.8 Square wave output timing chart (50% Duty)

③ Making TMRA1 count up on the match signal from the TMRA0 comparator

Select 8-Bit Timer Mode and set the comparator output from TMRA0 to be the input clock to TMRA1.

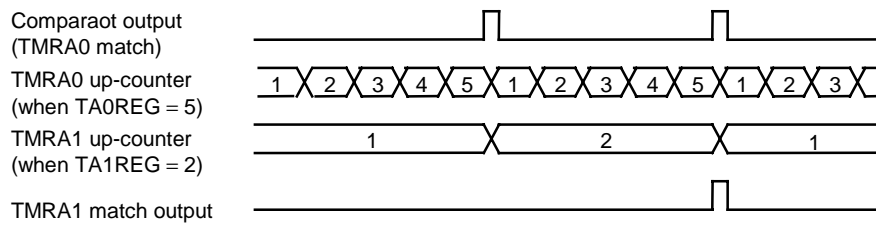


Figure 3.7.9 TMRA1 count up on signal from TMRA0

(2) 16-Bit Timer Mode

Pairing the two 8-bit timers TMRA0 and TMRA1 configures a 16-bit interval timer.

To make a 16-bit interval timer in which TMRA0 and TMRA1 are cascaded together, set  $TA01MOD <TA01M1, TA01M0>$  to 01.

In 16-Bit Timer Mode, the overflow output from TMRA0 is used as the input clock for TMRA1, regardless of the value set in  $TA01MOD <TA01CLK1, TA01CLK0>$ . Table 3.7 (2) shows the relationship between the timer (interrupt) cycle and the input clock selection.

Setting example: To generate an INTTA1 interrupt every 0.5 seconds at  $f_c = 16$  MHz, set the timer registers  $TA0REG$  and  $TA1REG$  as follows:

- \* Clock state
- System clock: High frequency ( $f_c$ )
- Clock gear: 1 ( $f_c$ )
- Prescaler clock:  $f_{PPH}$

If  $\phi T16$  (8.0  $\mu$ s at 16 MHz) is used as the input clock for counting, set the following value in the registers:  $0.5 \text{ s} \div 8.0 \mu\text{s} = 62500 = F424H$ ; i.e. set  $TA1REG$  to F4H and  $TA0REG$  to 24H.



The comparator match signal is output from TMRA0 each time the up-counter UC0 matches TA0REG, though the up-counter UC0 is not be cleared.

In the case of the TMRA1 comparator, the match detect signal is output on each comparator pulse on which the values in the up counter UC1 and TA1REG match. When the match detect signal is output simultaneously from both the comparator TMRA0 and TMRA1, the up-counters UC0 and UC1 are cleared to 0 and the interrupt INTTA1 is generated. Also, if inversion is enabled, the value of the timer flip-flop TA1FF is inverted.

Example: When TA1REG = 04H and TA0REG = 80H

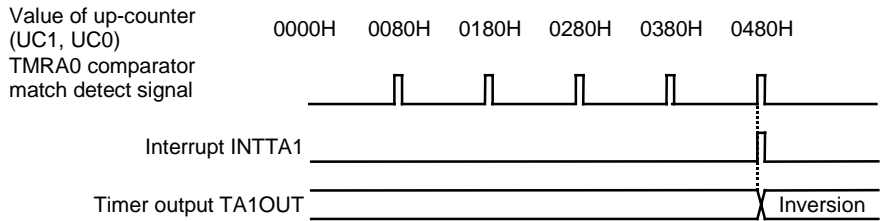


Figure 3.7.10 Timer output by 16-Bit Timer Mode

(3) 8-Bit PPG (Programmable Pulse Generation) Output Mode

Square wave pulses can be generated at any frequency and duty ratio by TMRA0. The output pulses may be active-Low or active-High. In this mode TMRA1 cannot be used. TMRA0 outputs pulses on the TA1OUT pin (which can also be used as P71).

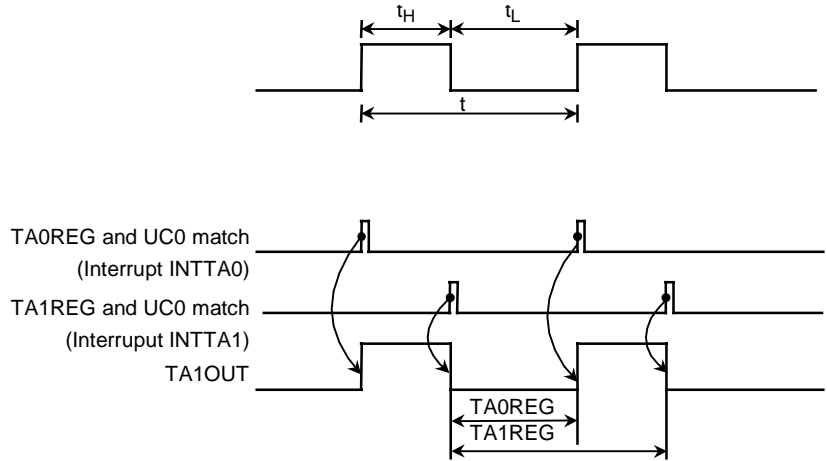


Figure 3.7.11 8 bit PPG output waveforms

In this mode a programmable square wave is generated by inverting the timer output each time the 8-bit up-counter (UC0) matches the value in one of the timer registers TA0REG or TA1REG. The value set in TA0REG must be smaller than the value set in TA1REG. Although the up counter for TMRA1 (UC1) is not used in this mode, TA01RUN<TA1RUN> should be set to “1” so that UC1 is set for counting.

Figure 3.7.12 shows a block diagram representing this mode.

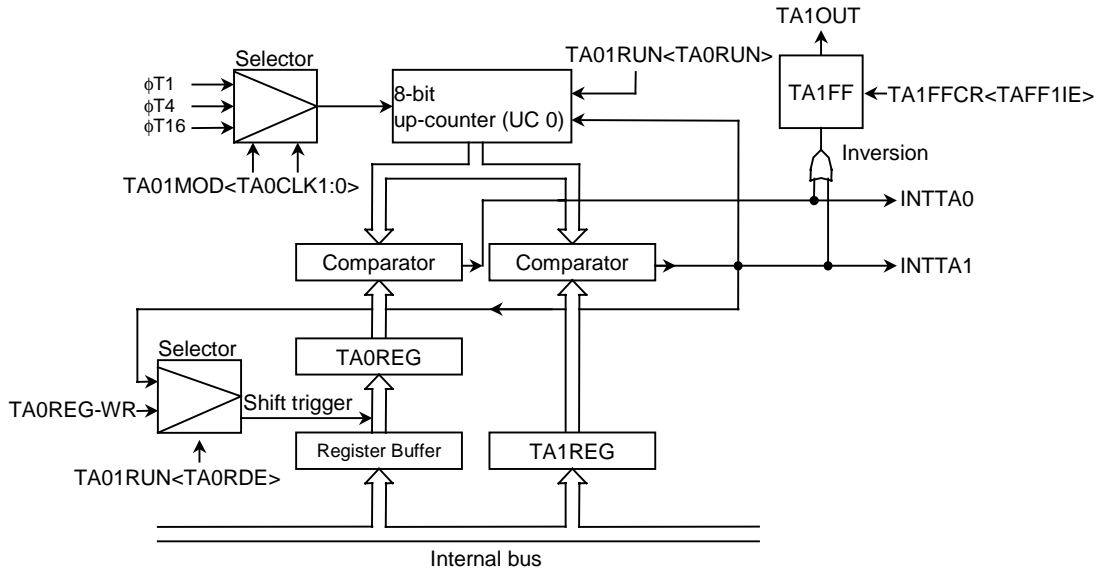


Figure 3.7.12 Block diagram of 8-Bit PPG Output Mode

If the TA0REG double buffer is enabled in this mode, the value of the register buffer will be shifted into TA0REG each time TA1REG matches UC0.

Use of the double buffer facilitates the handling of low-duty waves (when duty is varied).

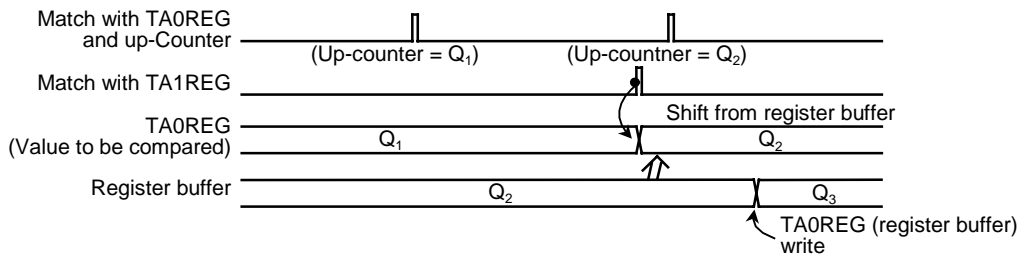
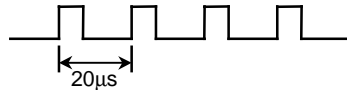


Figure 3.7.13 Operation of register buffer

Example: To generate 1/4-duty 50-kHz pulses (at  $f_c = 16$  MHz):



- \* Clock state
- System clock: High frequency ( $f_c$ )
- Clock gear: 1 ( $f_c$ )
- Prescaler clock:  $f_{PPH}$

Calculate the value, which should be set in the timer register.

To obtain a frequency of 50 kHz, the pulse cycle  $t$  should be:  $t = 1/50 \text{ kHz} = 20 \mu\text{s}$

$\phi T1 = 0.5 \mu\text{s}$  (at 16 MHz);

$$20 \mu\text{s} \div 0.5 \mu\text{s} = 40$$

Therefore set TA1REG to 40 (28H)

The duty is to be set to 1/4:  $t \times 1/4 = 20 \mu\text{s} \times 1/4 = 5 \mu\text{s}$

$$5 \mu\text{s} \div 0.5 \mu\text{s} = 10$$

Therefore, set TA0REG = 10 = 0AH.

	7	6	5	4	3	2	1	0	
TA01RUN	← 0	X	X	X	-	0	0	0	Stop TMRA0 and TMRA01 and clear it to "0".
TA01MOD	← 1	0	X	X	X	X	0	1	Set the 8-bit PPG mode, and select $\phi T1$ as input clock.
TA0REG	← 0	0	0	0	1	0	1	0	Write 0AH
TA1REG	← 0	0	1	0	1	0	0	0	Write 28H
TA1FFCR	← X	X	X	X	0	1	1	X	Set TA1FF, enabling both inversion and the double buffer. Writing "10" provides negative logic pulse.
PBCR	← X	-	-	-	-	X	1	-	Set PB1 as the TA1OUT pin.
PBFC	← X	-	-	-	-	X	1	-	
TA01RUN	← 1	X	X	X	-	1	1	1	Start TMRA0 and TMRA01 counting.

Note: X = Don't care; "-" = No change

(4) 8-Bit PWM Output Mode

This mode is only valid for TMRA0. In this mode, a PWM pulse with the maximum resolution of 8 bits can be output.

When TMRA0 is used the PWM pulse is output on the TA1OUT pin (which is also used as P71). TMRA1 can also be used as an 8-bit timer.

The timer output is inverted when the up-counter (UC0) matches the value set in the timer register TA0REG or when  $2^n - 1$  counter overflow occurs ( $n = 6, 7$  or  $8$  as specified by TA01MOD<PWM01 to PWM00>). The up-counter UC0 is cleared when  $2^n - 1$  counter overflow occurs.

The following conditions must be satisfied before this PWM mode can be used.

$$\begin{aligned} &\text{Value set in TA0REG} < \text{value set for } 2^n - 1 \text{ counter overflow} \\ &\text{Value set in TA0REG} \quad 0 \end{aligned}$$

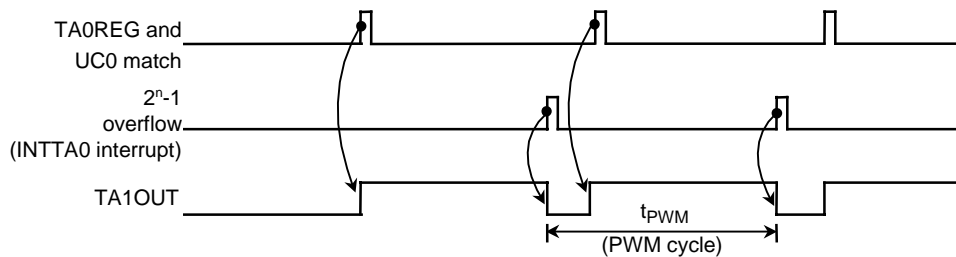


Figure 3.7.14 8-bit PWM waveforms

Figure 3.7.15 shows a block diagram representing this mode.

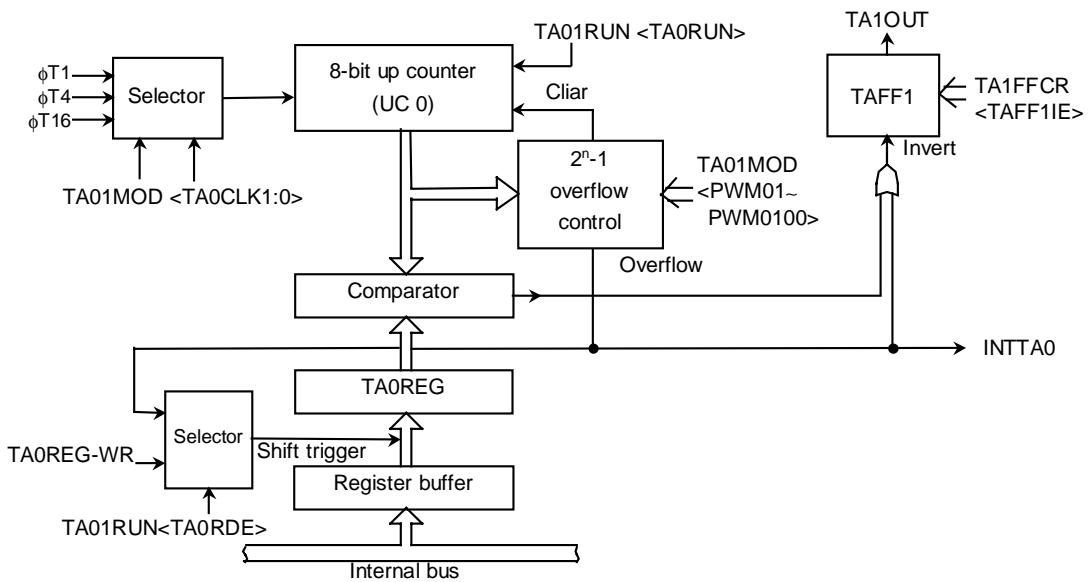


Figure 3.7.15 Block diagram of 8-Bit PWM Mode

In this mode the value of the register buffer will be shifted into TA0REG if  $2^n - 1$  overflow is detected when the TA0REG double buffer is enabled.

Use of the double buffer facilitates the handling of low duty ratio waves.

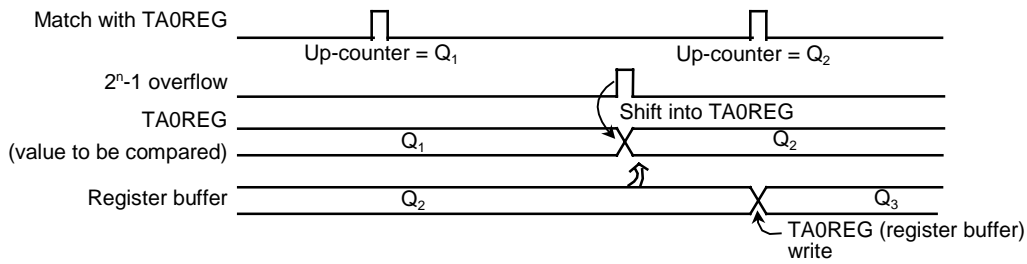
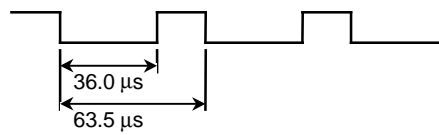


Figure 3.7.16 Register buffer operation

Example: To output the following PWM waves on the TA1OUT pin at  $f_c = 16$  MHz:



- \* Clock state
- System clock: High frequency ( $f_c$ )
- Clock gear: 1 ( $f_c$ )
- Prescaler clock:  $f_{FPH}$

To achieve a 63.5- $\mu$ s PWM cycle by setting  $\phi T1$  to 0.5  $\mu$ s (at  $f_c = 16$  MHz):

$$63.5 \mu s \div 0.5 \mu s = 127 = 2^n - 1$$

Therefore n should be set to 7.

Since the low-level period is 36.0  $\mu$ s when  $\phi T1 = 0.5 \mu$ s,

set the following value for TA0REG:

$$36.0 \mu s \div 0.5 \mu s = 72 = 48H$$

	MSB	7	6	5	4	3	2	1	0	LSB	
TA01RUN	←	-	X	X	X	-	-	-	0		Stop TMRA0 and clear it to 0.
TA01MOD	←	1	1	1	0	-	-	0	1		Select 8-Bit PWM Mode (cycle: $2^7 - 1$ ) and select T1 as the input clock.
TA0REG	←	0	1	0	0	1	0	0	0		Write 48H.
TA1FFCR	←	X	X	X	X	1	0	1	X		Clear TA1FF to 0; enable the inversion and double buffer.
PBCR	←	X	-	-	-	-	X	1	-		Set PB1 and the TA1OUT pin.
PBFC	←	X	-	-	-	-	X	1	-		
TA01RUN	←	1	X	X	X	-	1	-	1		

Note: X = Don't care; "-" = No change

Table 3.7.3 PWM cycle

@fc = 16 MHz, fs = 32.768 kHz

Select System Clock <SYSCK>	Select Prescaler Clock <PRCK1-PRCK0>	Gear Value <GEAR2-GEAR0>	PWM cycle								
			$2^6 - 1$			$2^7 - 1$			$2^8 - 1$		
			$\phi T1$	$\phi T4$	$\phi T16$	$\phi T1$	$\phi T4$	$\phi T16$	$\phi T1$	$\phi T4$	$\phi T16$
1 (fs)		XXX	15.4 ms	61.5 ms	246 ms	31.0 ms	124 ms	496 ms	62.3 ms	249 ms	996 ms
0 (fc)	00 (fPPH)	000 (fc)	31.5 $\mu$ s	126 $\mu$ s	504 $\mu$ s	63.5 $\mu$ s	254 $\mu$ s	1016 $\mu$ s	127.5 $\mu$ s	510 $\mu$ s	2040 $\mu$ s
		001 ( $f_c/2$ )	63.0 $\mu$ s	252 $\mu$ s	1008 $\mu$ s	127 $\mu$ s	508 $\mu$ s	2032 $\mu$ s	255 $\mu$ s	1020 $\mu$ s	4080 $\mu$ s
		010 ( $f_c/4$ )	126 $\mu$ s	504 $\mu$ s	2016 $\mu$ s	254 $\mu$ s	1016 $\mu$ s	4064 $\mu$ s	510 $\mu$ s	2040 $\mu$ s	8160 $\mu$ s
		011 ( $f_c/8$ )	252 $\mu$ s	1008 $\mu$ s	4032 $\mu$ s	508 $\mu$ s	2032 $\mu$ s	8128 $\mu$ s	1020 $\mu$ s	4080 $\mu$ s	16.32 $\mu$ s
		100 ( $f_c/16$ )	504 $\mu$ s	2016 $\mu$ s	8064 $\mu$ s	1016 $\mu$ s	4064 $\mu$ s	16.256 $\mu$ s	2040 $\mu$ s	8160 $\mu$ s	32.64 $\mu$ s
	10 (fc/16 clock)	XXX	504 $\mu$ s	2016 $\mu$ s	8064 $\mu$ s	1016 $\mu$ s	4064 $\mu$ s	16.256 $\mu$ s	2040 $\mu$ s	8160 $\mu$ s	32.64 $\mu$ s

XXX: Don't care

## (5) Settings for each mode

Table 3.7.4 shows the SFR settings for each mode.

Table 3.7.4 Timer mode setting registers

Register name	TA01MOD				TA1FFCR
<Bit Symbol>	<TA01M1:TA01M 0>	<PWM01:00>	<TA1CLK1:0>	<TA0CLK1:0>	TAFF1IS
Function	Timer mode	PWM cycle	Upper timer input clock	Lower timer input clock	Timer F/F invert signal select
8-bit timer $\times$ 2 channels	00	–	Lower timer match $\phi T1, \phi T16, \phi T256$ (00, 01, 10, 11)	External clock $\phi T1, \phi T4, \phi T16$ (00, 01, 10, 11)	0: Lower timer output 1: Upper timer output
16-bit timer mode	01	–	–	External clock $\phi T1, \phi T4, \phi T16$ (00, 01, 10, 11)	–
8-bit PPG $\times$ 1 channel	10	–	–	External clock $\phi T1, \phi T4, \phi T16$ (00, 01, 10, 11)	–
8-bit PWM $\times$ 1 channel	11	$2^6 - 1, 2^7 - 1, 2^8 - 1$ (01, 10, 11)	–	External clock $\phi T1, \phi T4, \phi T16$ (00, 01, 10, 11)	–
8-bit timer $\times$ 1 channel	11	–	$\phi T1, \phi T16, \phi T256$ (01, 10, 11)	–	Output disabled

Note:“–” = Don't care

(6) LCDC and MELODY/ALARM circuit supply mode

This function can operate only TMRA3. It can use LCDC or MELODY/ALARM source clock TA3 clock generated by TMRA3. But this function is special mode, without low clock (XTIN,XTOUT), so keep the rule under below.

**OPERATE**

1. clock genelate by timer 3 (32KHz,50% duty)
2. clock supply start (<TA3LCDE>=1 or <TA3MLD>=1)
3. need set-up time (more 100 μ S :32KHz 3clk)
4. LCDC or MELODY/ALARM start to operate

**STOP**

1. LCDC or MELODY/ALARM stop to operate
2. clock supply cut off (<TA3LCDE>=0 or <TA3MLD>=0)

		7	6	5	4	3	2	1	0
EMCCR0 (00E3H)	bit Symbol	PROTECT	TA3LCDE	AHOLD	TA3MLDE		EXTIN	DRVOSCH	DRVOSCL
	Read/Write	R	R/W	R/W	R/W	R/W	R/W	R/W	R/W
	After reset	0	0	1	0	0	0	1	1
	Function	Protect flag 0: OFF 1: ON	LCDC Source clock 0:32KHz 1:TA3OUT	Address hold 0:normal 1:enable	Melody/Alarm Source clock 0:32KHz 1:TA3OUT	Always fixed to "0"	1: External clock	fc oscillator driver ability 1: NORMAL 0: WEAK	Fc oscillator driver ability 1: NORMAL 0: WEAK

### 3.8 External memory extension function (MMU)

This is MMU function which can expand program / data area to 136M byte by having 4 local area.

Address pins to external memory are 2 extended address bus pins (EA24,EA25) and 8 extended chip select pins (/CS2A to /CS2G and /CSEXA) in addition to 24 address bus pins (A0 ~ A23) which are common specification of TLCS-900 and 4 chip select pins (/CS0 ~ /CS3) output from CS/WAIT controller.

The feature and the recommendation setting method of two types are shown below.

In addition, AH in the table is the value which number address 23-16 displayed as hex.

Purpose	Item	For many kinds class extended memory
Program-ROM	Maximum memory size	2MB:common2+14MB:bank (16MB × 1pcs)
	Used local area, BANK number	LOCAL2(AH=C0-DF: 2MB × 7BANK)
	Setting CS/WAIT	Set up AH=80-FF to CS2
	Used /CS pin	/CS2A
Data-ROM	Maximum memory size	96MB(16MB × 6pcs)
	Used local area, BANK number	LOCAL3(AH=80-BF:4MB × 24BANK)
	Setting CS/WAIT	Set up AH=80-FF to CS2
	Used /CS pins	/CS2B,/CS2C,/CS2D,/CS2E,/CS2F,/CS2G
Data-SDRAM*	Maximum memory size	2MB:common1+14MB:bank (16MB × 1pcs)
	Used local area, BANK number	LOCAL1(AH=40-5F: 2MB × 7BANK))
	Setting CS/WAIT	Set up AH=40-7F to CS1
	Used /CS pin	/CS1
Data-RAM	Maximum memory size	1MB:common0+7MB:bank (8MB × 1pcs)
	Used local area, BANK number	LOCAL0(AH=10-1F: 1MB × 7BANK))
	Setting CS/WAIT	Set up AH=00-1F to CS3
	Used /CS pin	/CS3
Extended memory -1	Maximum memory size	1MB(1MB × 1pcs)
	Used local area, BANK number	None
	Setting CS/WAIT	Set up AH=20-2F to CS0
	Used /CS pin	/CS0
Extended memory-2	Maximum memory size	256KB(256KB × 1pcs)
	Used local area, BANK number	None
	Setting CS/WAIT	Set up AH=30-3F to /CSEX
	Used /CS pin	/CSEXA
Extended memory-3 (Direct address assigned built-in type LCD driver)	Maximum memory size	256KB(64KB × 4pcs)
	Used local area, BANK number	None
	Setting CS/WAIT	Set up AH=30-3F to /CSEX
	Used /CS pin	D1BSCP,D2BLP,D3BFR,DLEBCD
Extended memory-4	Maximum memory size	512KB
	Used local area, BANK number	None
	Setting CS/WAIT	Set up AH=30-3F to /CSEX
	Used /CS pin	None

**\*Note: SDRAM must be mapped in LOCAL1 area. It can't use othe area!**



### 3.8.1 Recommendable memory map

The recommendation logic address memory map at the time of variety extension memory correspondence is shown in Fig. 3.8.1 (1). And, a physical-address map is shown in Fig. 3.8.1 (2).

However, when memory area is less than 16M bytes and is not expanded, please refer to section of CS/WAIT controller. Setting of register in MMU is not necessary.

Since it is being fixed, the address of a local-area cannot be changed.

When SDRAM is used, must locate to LOCAL1 area

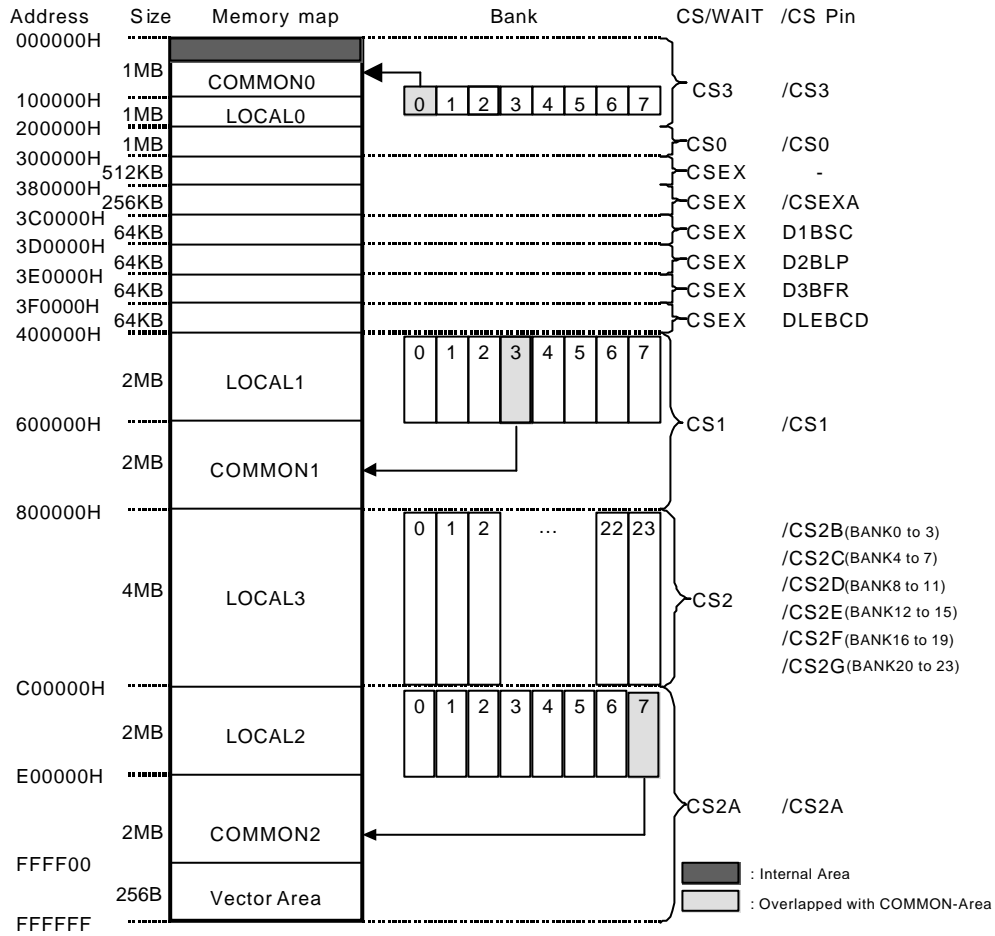


Figure 3.8.1(1) Logical address map

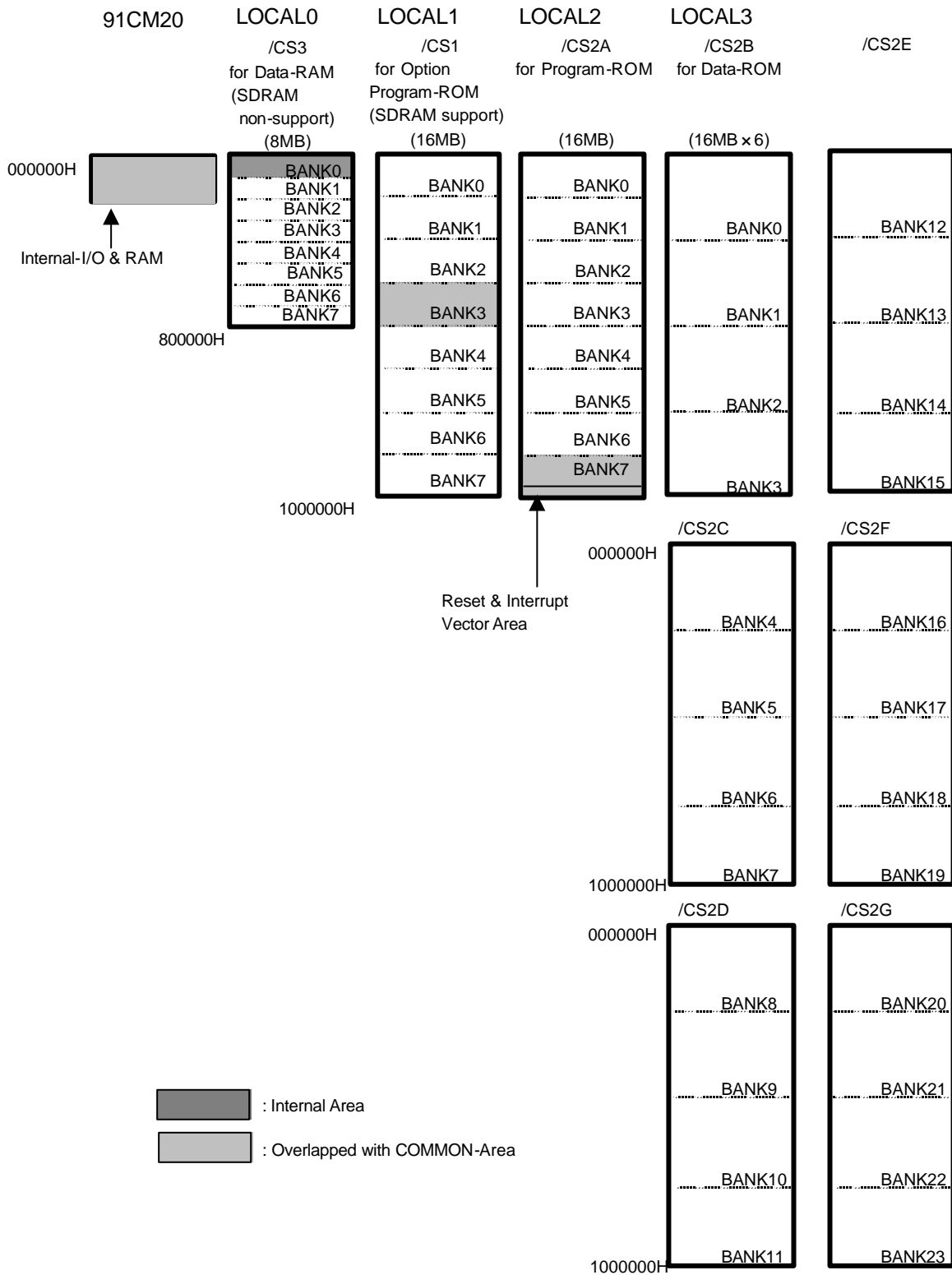


Figure 3.8.1(2) Physical address map

3.8.2 Block diagram

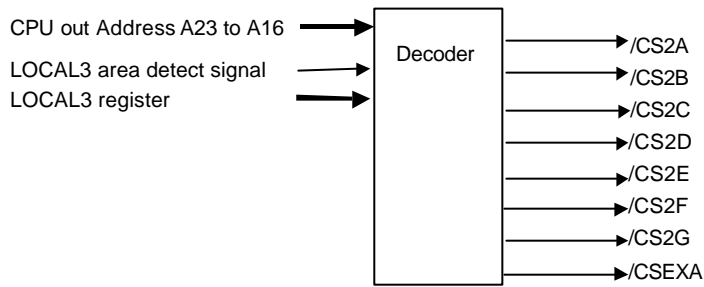
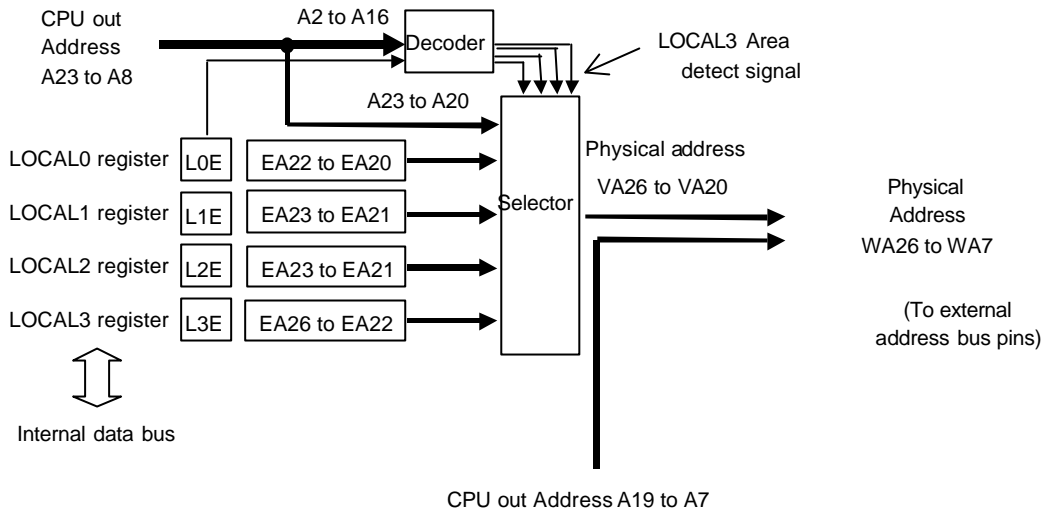


Figure 3.8.2(1) Block diagram of MMU

3.8.3 Control registers

LOCAL0 register

		7	6	5	4	3	2	1	0
LOCAL0 (0350H)	bit Symbol	L0E	/			L0EA22 L0EA21			L0EA20
	Read/Write	R/W				R/W			
	After reset	0				0	0	0	
	Function	Use BANK for LOCAL0 0: not use 1: use				Setting BANK number for LOCAL0			

LOCAL1 register

		7	6	5	4	3	2	1	0
LOCAL1 (0351H)	bit Symbol	L1E	/			L1EA23 L1EA22			L1EA21
	Read/Write	R/W				R/W			
	After reset	0				0	0	0	
	Function	Use BANK for LOCAL1 0: not use 1: use				Setting BANK number for LOCAL1			

LOCAL2 register

		7	6	5	4	3	2	1	0
LOCAL2 (0352H)	bit Symbol	L2E	/			L2EA23 L2EA22			L2EA21
	Read/Write	R/W				R/W			
	After reset	0				0	0	0	
	Function	Use BANK for LOCAL2 0: disable 1: enable				Setting BANK number for LOCAL2			

LOCAL3 register

		7	6	5	4	3	2	1	0
LOCAL3 (0353H)	bit Symbol	L3E	/		L3EA26	L3EA25	L3EA24	L3EA23	L3EA22
	Read/Write	R/W			R/W	R/W	R/W	R/W	R/W
	After reset	0	0		0	0	0	0	0
	Function	Use BANK for LOCAL3 0: disable 1: enable			01000 to 01011 /CS2D 00000 to 00011 /CS2B 00100 to 00111 /CS2C	01100 to 01111 : /CS2E 10000 to 10011 : /CS2F 10100 to 10111 : /CS2G 11000 to 11111 : Set prohibition			

#### 3.8.4 Operational description

Set up bank value and bank use in bank setting-register of each local area of LOCAL register in common area. Moreover, in that case, a combination pin is set up and the CS/WAIT controller simultaneously sets up mapping. When CPU outputs logical address of the local area, MMU outputs physical address to the outside pin according to value of bank setting-register. Access of external memory becomes possible therefore.

Please do not use as bank that overlaps with another bank since this common area overlaps with either of eight banks of local area on the physical map.

Example program is as next page follows

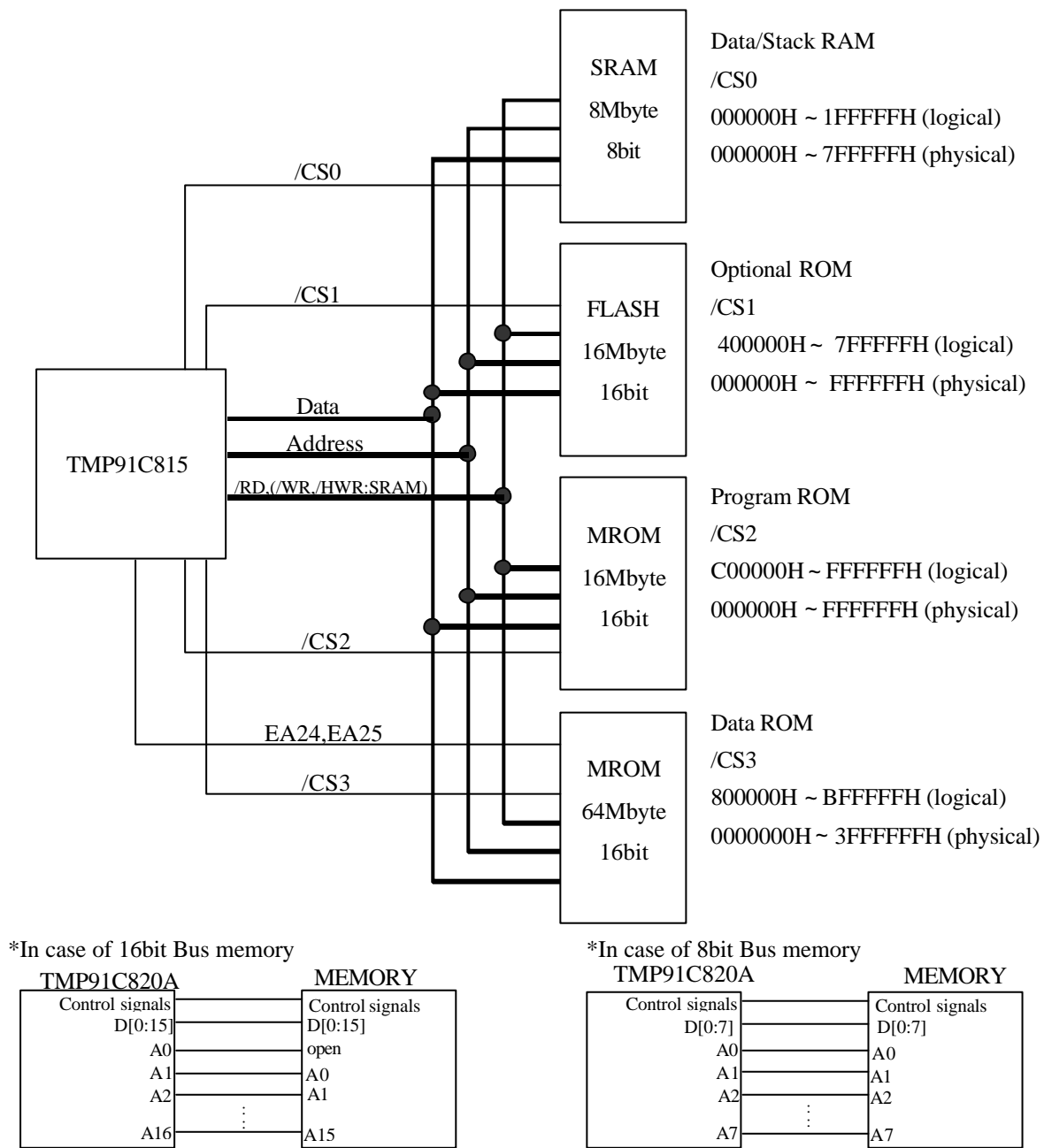


Figure 3.8.4.1 H/W Setting Example

At Figure 3.8.4.1, it shows example of connection TMP91C820A and some memories: Program ROM:MROM,16Mbyte, Data ROM:MROM,64Mbyte, Data RAM:SRAM,8Mbyte, 8bit bus, Display RAM:SDRAM,16Mbyte.

In case of 16bit bus memory connection, it need to shift 1bit address bus from TMP91C820A and 8bit bus case, direct connection address bus from TMP91C820A.

In that figure, Logical address and physical address are shown. And each memory allot each chip select signal, RAM:/CS0, SDRAM:/CS1, Program MROM:/CS2, Data MROM:/CS3. In case of this example, as Data MROM is 64Mbyte, this MROM connect to EA24 and EA25.

Initial condition after reset, because TMP91C820A access from CS2 area, CS2 area allots to Program ROM. It can set free setting except Program ROM.

```

;Initial Setting
;CS0
    LD    (MSAR0),00H    ; Logical address area: 000000H ~ 1FFFFFFH
    LD    (MAMR0),FFH    ; Logical address size: 2Mbyte
    LD    (B0CS),89H     ; Condition: 8bit,1wait (8MB, SRAM)
;CS1
    LD    (MSAR1),40H    ; Logical address area: 400000H ~ 5FFFFFFH
    LD    (MAMR1),FFH    ; Logical address size: 4Mbyte
    LD    (B1CS),83H     ; Condition: 16bit,0wait (16Mbyte, SDRAM)
;CS2
    LD    (MSAR2),C0H    ; Logical address area: C00000H ~ FFFFFFFH
    LD    (MAMR2),7FH    ; Logical address size: 4Mbyte
    LD    (B2CS),C3H     ; Condition: 16bit,0wait (16Mbyte, MROM)
;CS3
    LD    (MSAR3),80H    ; Logical address area: 800000H ~ BFFFFFFH
    LD    (MAMR3),7FH    ; Logical address size: 4Mbyte
    LD    (B3CS),85H     ; Condition: 16bit,3wait (64Mbyte, MROM)
;CSX
    LD    (BEXCS),00H    ; Other : 16bit,2wait (don't care)
;Port
    LD    (P6FC),3FH     ; /CS0 ~ /CS3,EA24,EA25 :port6 setting
    LD    (P6FC2),02H    ; /CS1  /SDCS setting
~
    LDW   (PZCR),0707h   ; /HWR,/WR,/RD
    LD    (PFFC),7Fh     ; PF[6:0]=SDRAM Control
    LD    (SDACR),0ADh   ; Add-MUX Enable, 128M select
~
                                ; SDRAM setup-time
    LD    (SDACR),06Dh   ; Add-MUX Enable, 128M select
    LD    (SDRCR),01h    ; interval refresh

```

Figure 3.8.4.2 Bank Operation S/W Example1

Secondly, it shows example of initial setting at Figure 3.8.4.2

Because /CS0 connect to RAM: 8bit bus, 8Mbyte, it need to set 8bit bus. At this example, it set 1-wait setting. In the same way /CS1 set to 16bit bus and 0-wait, /CS2 set 16bit bus and 0-wait, /CS3 set 16bit bus and 3-wait.

By CS/WAIT controller, each chip selection signal's memory size, don't set actual connect memory size, need to set that logical address size: fitting to each local area. Actual physical address is set by each area's BANK register setting.

CSEX setting of CS/WAIT controller is except above CS0 ~ CS3's setting. This program example isn't used CSEX setting.

Finally pin condition is set. PORT60 ~ 65 set to /CS0,1,2,3,EA24,EA25 and SDRAM condition.

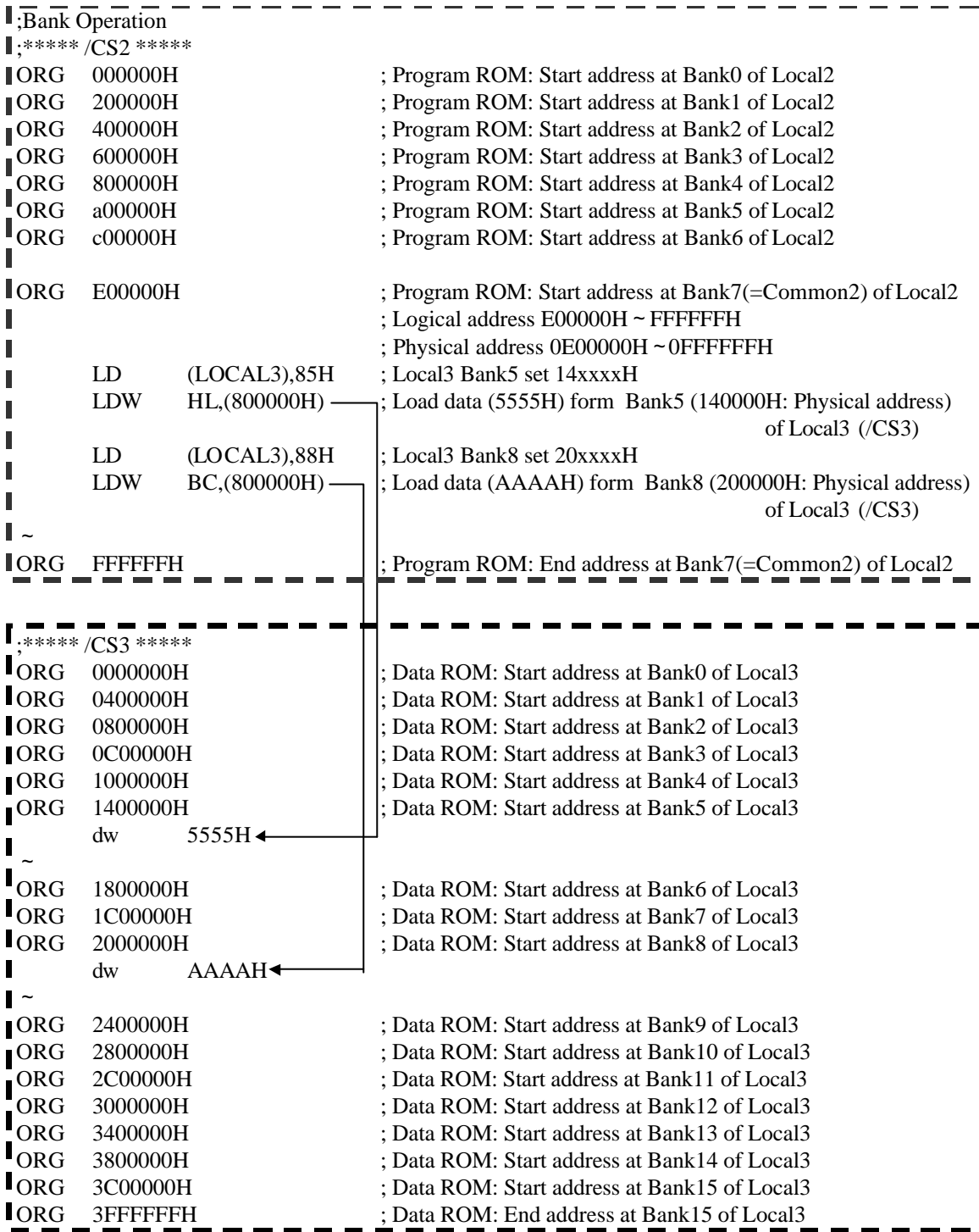


Figure 3.8.4.3 Bank Operation S/W Example2

Here shows example of data access between one BANK and other BANK. Figure 3.8.4.3 is one software example. A dot line square area shows one memory and each dot line square shows /CS2's Program ROM and /CS3's Data ROM. Program start from E00000H address, firstly, write to BANK register of LOCAL3 area upper 5-bit address of access point.

In case of this example, because most upper address bit of physical address is EA25, most upper address bit of BANK register is meaningless. 4bits of upper 5-bits address means 16-BANKS. After setting BANK5, accessing 800000 ~ BFFFFFFH address: logical local3 address, actually access to physical 1400000 ~ 1700000H address.



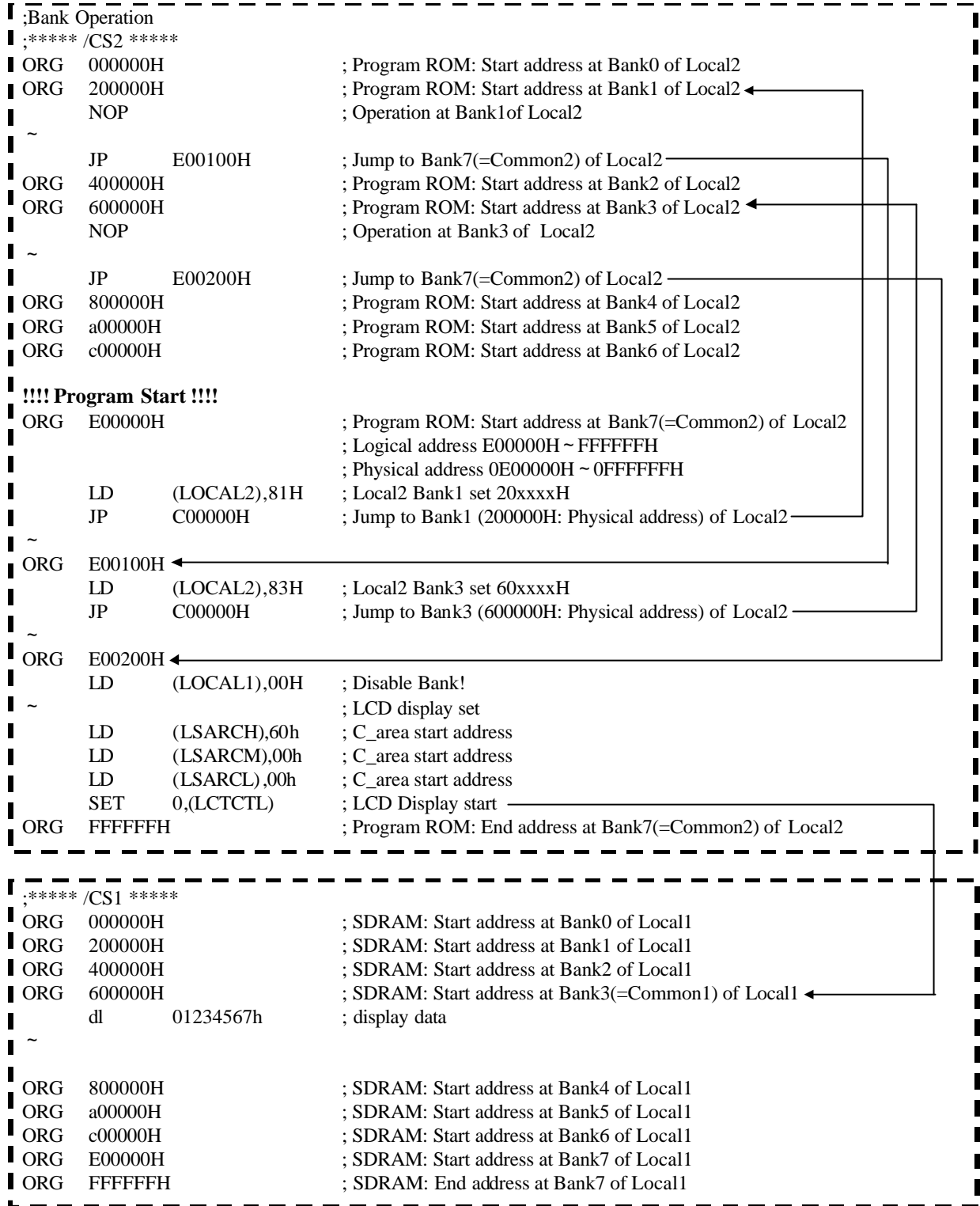


Figure 3.8.4.4 Bank Operation S/W Exapmle3

At Figure 3.8.4.4, it shows example of program jump.

In the same way with before example, two dot line squares show each /CS2's program ROM and /CS1's(SDCS) SDRAM. Program start from E00000H common address, firstly, write to BANK register of LOCAL2 area upper 3-bit address of jumping point.

After setting BANK1, jumping C00000 ~ DFFFFFFH address: logical local2 address, actually jump to physical 2000000 ~ 3FFFFFFH address. When return to common area, it can only jump to E00000 ~ FFFFFFFH without writing to BANK register of LOCAL2 area.

By a way of setting of BANK register, the setting that BANK address and common address conflict with is possible. When two kinds or more logical addresses to show common area exist, management of BANK is confused. We recommends not to use The BANK setting, BANK address and common address conflict with.

When using LCD display data for SDRAM, we recommend setting display area to common area in SDRAM. Because of, LCD displays DMA occur at synchronousless. If SDRAM bank is changed, you don't need to care only common area.

It is a mark paid attention to here, it needs to go by way of common area by all means when moves from a bank to a bank. In other words, it must write to BANK register only in common area and it prohibits writing the BANK registers in BANK area. If it modify the BANK register's data in BANK area, **program run-away**.

### 3.9 Serial Channels

TMP91C820A includes three serial I/O channels. For each channels either UART Mode (asynchronous transmission) or I/O Interface Mode (synchronous transmission) can be selected.

(Channel 2 can be selected only UART mode.)

- I/O Interface Mode      — Mode 0:      For transmitting and receiving I/O data using the synchronizing signal SCLK for extending I/O.
  
- UART Mode                — Mode 1:      7-bit data
- Mode 2:      8-bit data
- Mode 3:      9-bit data

In Mode 1 and Mode 2 a parity bit can be added. Mode 3 has a wake-up function for making the master controller start slave controllers via a serial link (a multi-controller system).

Figure 3.9.2, 3, 4 are block diagrams for each channel.

Each Channel can be used independently.

Each channel operates in the same fashion except for the following points; hence only the operation of Channel 0 is explained below.

Table 3.9.1 Differences between Channels 0 to 2

	Channel 0	Channel 1	Channel 2
Pin Name	TXD0 (PC0) RXD0 (PC1) $\overline{\text{CTS0}}/\text{SCLK0}$ (PC2)	TXD1 (PC3) RXD1 (PC4) $\overline{\text{CTS1}}/\text{SCLK1}$ (PC5)	TXD2 (PB0) RXD2 (PB1)
IrDA Mode	Yes	No	No

This chapter contains the following sections:

- 3.9.1      Block diagram
- 3.9.2      Operation of each circuit
- 3.9.3      SFR
- 3.9.4      Operation in each mode
- 3.9.5      Support for IrDA Mode

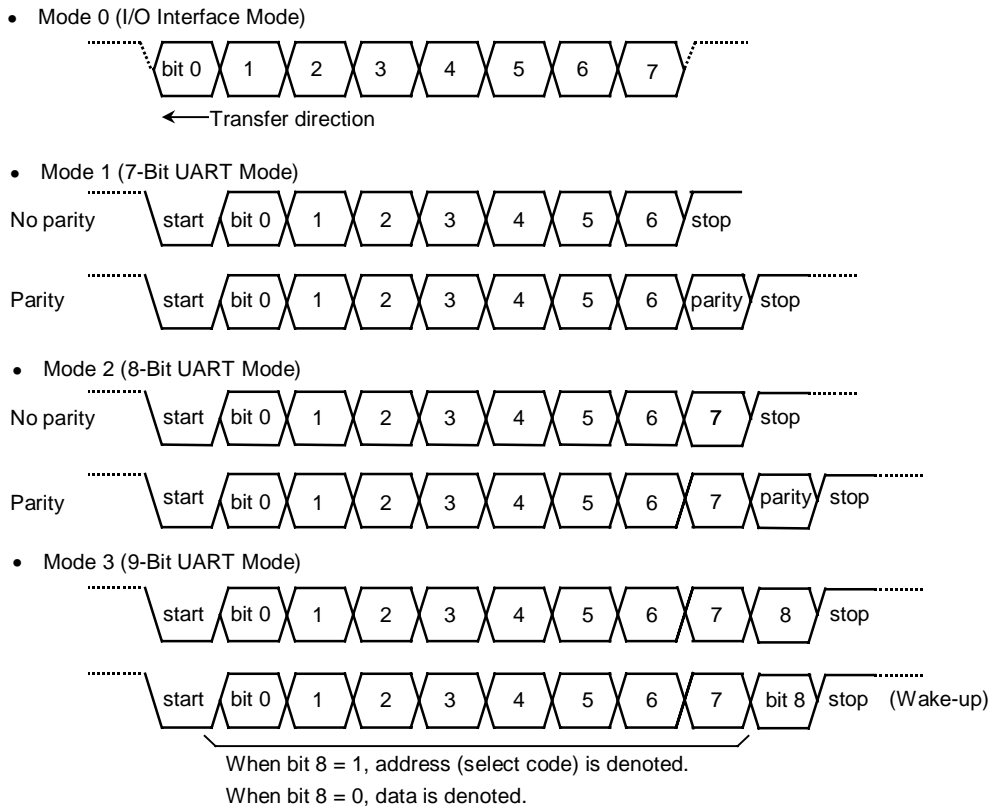


Figure 3.9.1 Data formats

3.9.1 Block diagrams

Figure 3.9.2 is a block diagram representing Serial Channel 0.

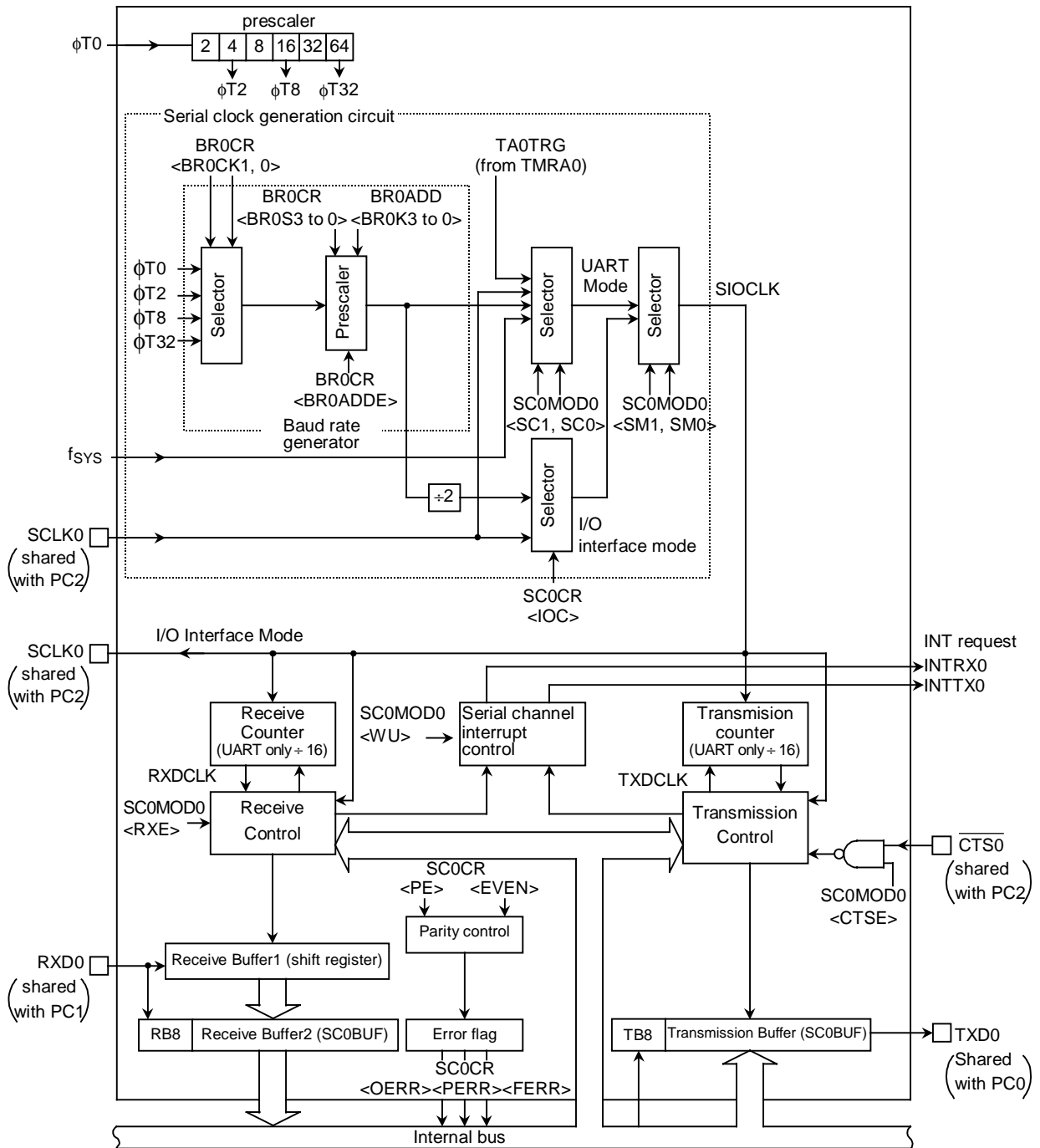


Figure 3.9.2 Block diagram of the Serial Channel 0

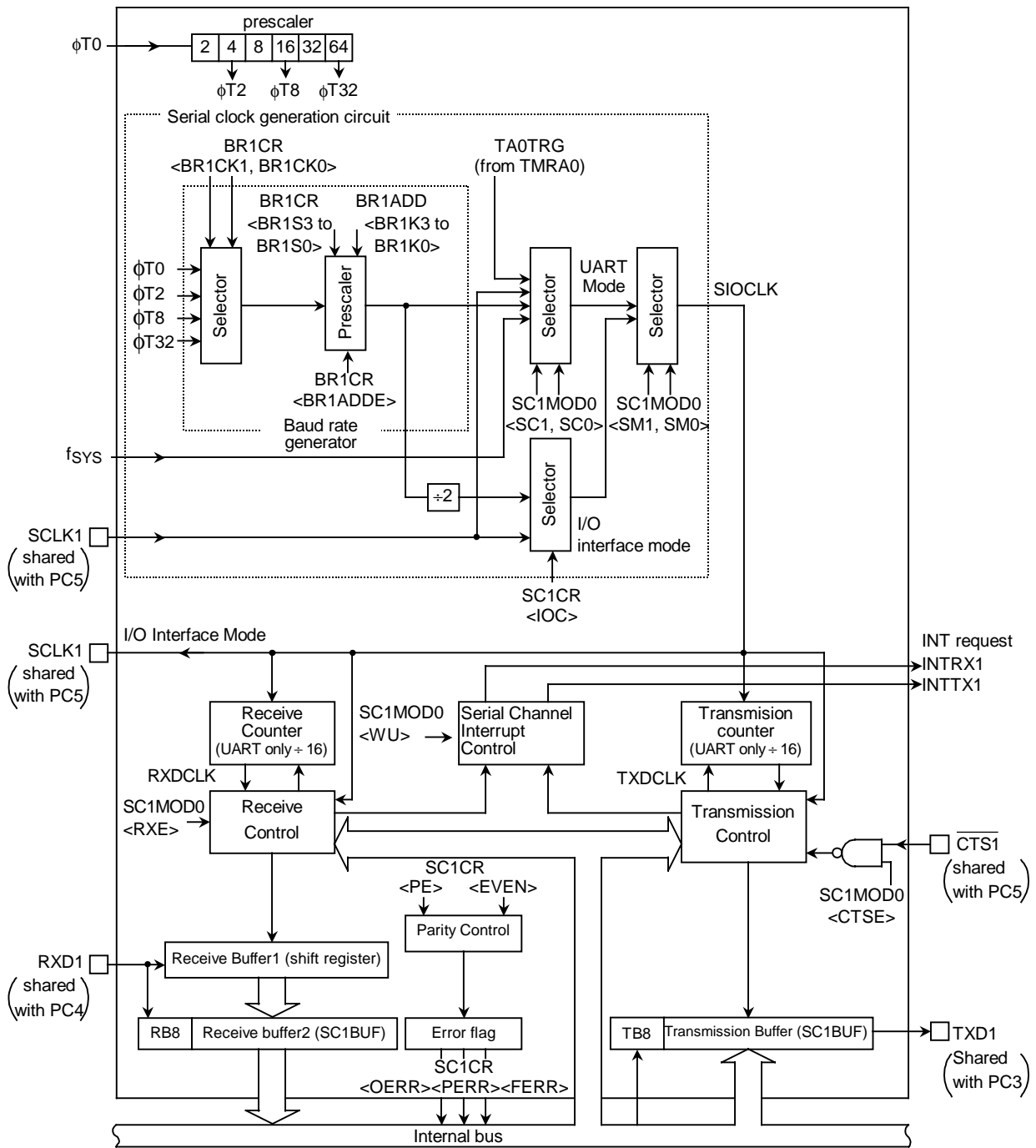


Figure 3.9.3 Block diagram of the Serial Channel 1

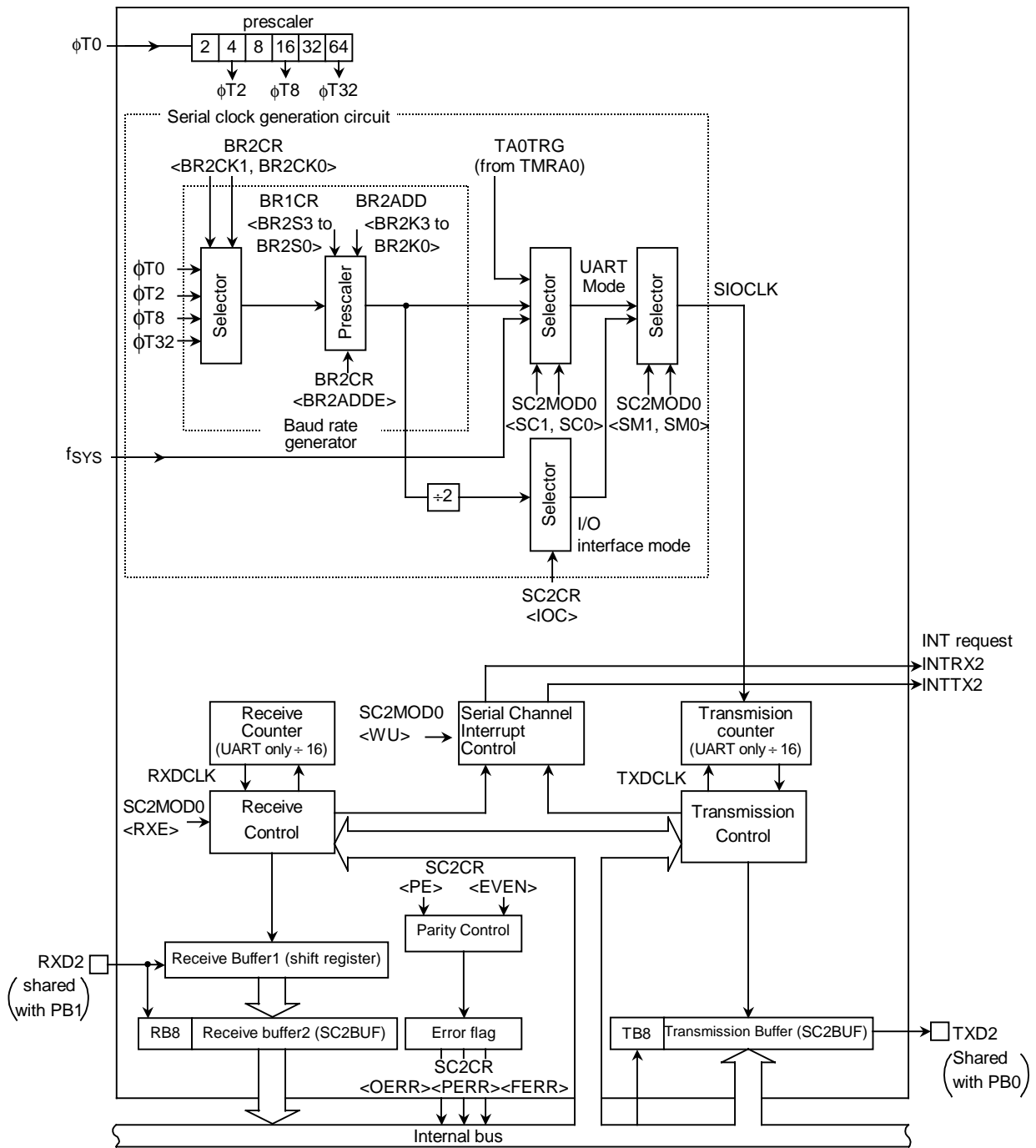


Figure 3.9.4 Block diagram of the Serial Channel 2

## 3.9.2 Operation of each circuit

## (1) Prescaler, Prescaler clock selects

There is a 6-bit prescaler for waking serial clock. The clock selected using SYSCR<PRCK1:PRCK0> is divided by 4 and input to the prescaler as  $\phi T0$ . The prescaler can be run by selecting the baud rate generator as the waking serial clock.

Table 3.9.2 shows prescaler clock resolution into the baud rate generator.

Table 3.9.2 Prescaler Clock Resolution to Baud Rate Generator

Select System Clock <SYSCK>	Select Prescaler Clock <PRCK1 to PRCK0>	Gear Value <GEAR2 to GEAR0>	Prescaler Output Clock Resolution			
			$\phi T0$	$\phi T2$	$\phi T8$	$\phi T32$
1 (fs)	00 (f <sub>PPH</sub> )	XXX	$f_s/22$	$f_s/24$	$f_s/26$	$f_s/28$
0 (fc)		000 (fc)	$f_c/22$	$f_c/24$	$f_c/26$	$f_c/28$
		001 ( $f_c/2$ )	$f_c/23$	$f_c/25$	$f_c/27$	$f_c/29$
		010 ( $f_c/4$ )	$f_c/24$	$f_c/26$	$f_c/28$	$f_c/210$
		011 ( $f_c/8$ )	$f_c/25$	$f_c/27$	$f_c/29$	$f_c/211$
		100 ( $f_c/16$ )	$f_c/26$	$f_c/28$	$f_c/210$	$f_c/212$
		10 ( $f_c/16$ clock)	XXX		$f_c/28$	$f_c/210$

Note: X = Don't care; "-" = Cannot be used

The Baud Rate Generator selects between 4 clock inputs:  $\phi T0$ ,  $\phi T2$ ,  $\phi T8$ , and  $\phi T32$  among the prescaler outputs.



## (2) Baud rate generator

The baud rate generator is a circuit, which generates transmission and receiving clocks that determine the transfer rate of the serial channels.

The input clock to the baud rate generator,  $\phi T0$ ,  $\phi T2$ ,  $\phi T8$  or  $\phi T32$ , is generated by the 6-bit prescaler which is shared by the timers. One of these input clocks is selected using the BR0CR<BR0CK1 to BR0CK0> field in the Baud Rate Generator Control Register.

The baud rate generator includes a frequency divider, which divides the frequency by 1 or  $N + (16 - K) / 16$  or 16 values, determining the transfer rate.

The transfer rate is determined by the settings of BR0CR<BR0ADDE, BR0S3 to BR0S0> and BR0ADD<BR0K3 to BR0K0>.

- In UART Mode

## (1) When BR0CR&lt;BR0ADDE&gt; = 0

The settings BR0ADD<BR0K3 to BR0K0> are ignored. The baud rate generator divides the selected prescaler clock by N, which is set in BR0CK<BR0S3 to BR0S0>. (N = 1, 2, 3 ... 16)

## (2) When BR0CR&lt;BR0ADDE&gt; = 1

The  $N + (16 - K) / 16$  division function is enabled. The baud rate generator divides the selected prescaler clock by  $N + (16 - K) / 16$  using the value of N set in BR0CR<BR0S3 to BR0S0> (N = 2, 3 ... 15) and the value of K set in BR0ADD<BR0K3 to BR0K0> (K = 1, 2, 3 ... 15)

Note: If N = 1 or N = 16, the  $N + (16 - K) / 16$  division function is disabled. Set BR0CR<BR0ADDE> to 0.

- In I/O Interface Mode

The  $N + (16 - K) / 16$  division function is not available in I/O Interface Mode. Set BR0CR<BR0ADDE> to 0 before dividing by N.

The method for calculating the transfer rate when the baud rate generator is used is explained below.

- In UART Mode

$$\text{Baud Rate} = \frac{\text{Input clock of baud rate generator}}{\text{Frequency divider for baud rate generator}} \div 16$$

- In I/O Interface Mode

$$\text{Baud Rate} = \frac{\text{Input clock of baud rate generator}}{\text{Frequency divider for baud rate generator}} \div 2$$

- Integer divider (N divider)

For example, when the source clock frequency ( $f_c$ ) = 12.288 MHz, the input clock frequency =  $T_2 (f_c/16)$ , the frequency divider N (BR0CR<BR0S3 to BR0S0>) = 5, and BR0CR<BR0ADDE> = 0, the baud rate in UART Mode is as follows:

- \* Clock state
 

System clock: High frequency ( $f_c$ )
Clock gear: 1 ( $f_c$ )
Prescaler clock: System clock

$$\begin{aligned} \text{Baud Rate} &= \frac{f_c/16}{5} \div 16 \\ &= 12.288 \times 10^6 \div 16 \div 5 \div 16 = 9600 \text{ (bps)} \end{aligned}$$

Note: The  $N + (16 - K) / 16$  division function is disabled and setting BR0ADD<BR0K3 to BR0K0> is invalid.

- $N+(16-K)/16$  divider (UART Mode only)

Accordingly, when the source clock frequency ( $f_c$ ) = 4.8 MHz, the input clock frequency =  $T_0$ , the frequency divider N (BR0CR<BR0S3 to BR0S0>) = 7, K (BR0ADD<BR0K3 to BR0K0>) = 3, and BR0CR <BR0ADDE> = 1, the baud rate in UART Mode is as follows:

- \* Clock state
 

System clock: High frequency ( $f_c$ )
Clock gear: 1 ( $f_c$ )
Prescaler clock: System clock

$$\begin{aligned} \text{Baud Rate} &= \frac{f_c/4}{7 + (16 - 3)/16} \div 16 \\ &= 4.8 \times 10^6 \div 4 \div (7+13/16) \div 16 = 9600 \text{ (bps)} \end{aligned}$$

Table 3.9.3, Table 3.9.4 show examples of UART Mode transfer rates.

Additionally, the external clock input is available in the serial clock. (Serial Channels 0, 1). The method for calculating the baud rate is explained below:

- In UART Mode

Baud rate = external clock input frequency  $\div 16$

It is necessary to satisfy (external clock input cycle)  $\geq f_c / 4$

- In I/O Interface Mode

Baud rate = external clock input frequency

It is necessary to satisfy (external clock input cycle)  $\geq 16 / f_c$

Table 3.9.3 Transfer rate selection

(when baud rate generator Is used and BR0CR &lt;BR0ADDE&gt; = 0)

Unit (kbps)

fc [MHz]	Input Clock				
	Frequency Divider	φT0	φT2	φT8	φT32
9.830400	2	76.800	19.200	4.800	1.200
	4	38.400	9.600	2.400	0.600
	8	19.200	4.800	1.200	0.300
	0	9.600	2.400	0.600	0.150
12.288000	5	38.400	9.600	2.400	0.600
	A	19.200	4.800	1.200	0.300
14.745600	3	76.800	19.200	4.800	1.200
	6	38.400	9.600	2.400	0.600
	C	19.200	4.800	1.200	0.300

Note 1: Transfer rates in I/O Interface Mode are eight times faster than the values given above.

Note 2: The values in this table are calculated for when fc is selected as the system clock, the clock gear is set for fc and the system clock is the prescaler clock input.

Table 3.9.4 Selection of Transfer Rate

(When TMRA0 with input Clock φT1 is used)

Unit (kbps)

TAOREG0	fc	Input Clock				
		12.288 MHz	12 MHz	9.8304 MHz	8 MHz	6.144 MHz
1H	96			76.8	62.5	48
2H	48			38.4	31.25	24
3H	32		31.25			16
4H	24			19.2		12
5H	19.2					9.6
8H	12			9.6		6
AH	9.6					4.8
10H	6			4.8		3
14H	4.8					2.4

Method for calculating the transfer rate (when TMRA0 is used):

$$\text{Transfer rate} = \frac{\text{Clock frequency determined by SYSCR0<PRCK1, PRCK0>}}{\text{TAOREG} \times 8 \times 16}$$

↑  
(when TMRA0 (input clock T1) is used)

Note 1: The TMRA0 match detect signal cannot be used as the transfer clock in I/O Interface Mode.

Note 2: The values in this table are calculated for when fc is selected as the system clock, the clock gear is set for fc and the system clock is the prescaler clock input.

(3) Serial clock generation circuit

This circuit generates the basic clock for transmitting and receiving data.

- In I/O Interface Mode

In SCLK Output Mode with the setting  $SC0CR<IOC> = 0$ , the basic clock is generated by dividing the output of the baud rate generator by 2, as described previously.

In SCLK Input Mode with the setting  $SC0CR<IOC> = 1$ , the rising edge or falling edge will be detected according to the setting of the  $SC0CR<SCLKS>$  register to generate the basic clock.

- In UART Mode

The  $SC0MOD0 <SC1, SC0>$  setting determines whether the baud rate generator clock, the internal system clock  $f_{SYS}$ , the match detect signal from timer  $TMRA0$  or the external clock ( $SCLK0$ ) is used to generate the basic clock  $SIOCLK$ .

(4) Receiving counter

The receiving counter is a 4-bit binary counter used in UART Mode, which counts up the pulses of the  $SIOCLK$  clock. It takes 16  $SIOCLK$  pulses to receive 1 bit of data; each data bit is sampled three times – on the 7th, 8th and 9th clock cycles.

The value of the data bit is determined from these three samples using the majority rule.

For example, if the data bit is sampled respectively as 1, 0 and 1 on 7th, 8th and 9th clock cycles, the received data bit is taken to be 1. A data bit sampled as 0, 0 and 1 is taken to be 0.

(5) Receiving control

- In I/O Interface Mode

In SCLK Output Mode with the setting  $SC0CR<IOC> = 0$ , the  $RXD0$  signal is sampled on the rising edge of the shift clock which is output on the  $SCLK0$  pin.

In SCLK Input Mode with the setting  $SC0CR<IOC> = 1$ , the  $RXD0$  signal is sampled on the rising or falling edge of the  $SCLK0$  input, according to the  $SC0CR<SCLKS>$  setting.

- In UART Mode

The receiving control block has a circuit, which detects a start bit using the majority rule. Received bits are sampled three times; when two or more out of three samples are 0, the bit is recognized as the start bit and the receiving operation commences.

The values of the data bits that are received are also determined using the majority rule.

## (6) The Receiving Buffers

To prevent Overrun errors, the Receiving Buffers are arranged in a double-buffer structure.

Received data is stored one bit at a time in Receiving Buffer 1 (which is a shift register). When 7 or 8 bits of data have been stored in Receiving Buffer 1, the stored data is transferred to Receiving Buffer 2 (SC0BUF); this causes an INTRX0 interrupt to be generated. The CPU only reads Receiving Buffer 2 (SC0BUF). Even before the CPU reads receiving Buffer 2 (SC0BUF), the received data can be stored in Receiving Buffer 1. However, unless Receiving Buffer 2 (SC0BUF) is read before all bits of the next data are received by Receiving Buffer 1, an overrun error occurs. If an Overrun error occurs, the contents of Receiving Buffer 1 will be lost, although the contents of Receiving Buffer 2 and SC0CR<RB8> will be preserved.

SC0CR<RB8> is used to store either the parity bit – added in 8-Bit UART Mode – or the most significant bit (MSB) – in 9-Bit UART Mode.

In 9-Bit UART Mode the wake-up function for the slave controller is enabled by setting SC0MOD0<WU> to 1; in this mode INTRX0 interrupts occur only when the value of SC0CR<RB8> is 1.

## (7) Transmission counter

The transmission counter is a 4-bit binary counter which is used in UART Mode and which, like the receiving counter, counts the SIOCLK clock pulses; a TXDCLK pulse is generated every 16 SIOCLK clock pulses.

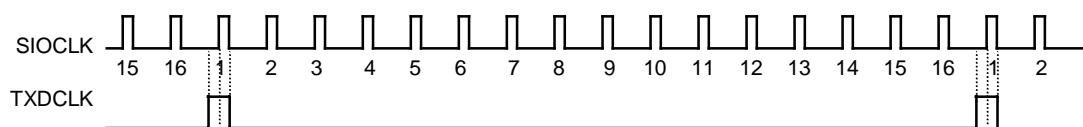


Figure 3.9.5 Generation of the transmission clock

## (8) Transmission controller

- In I/O Interface Mode

In SCLK Output Mode with the setting SC0CR<IOC> = 0, the data in the Transmission Buffer is output one bit at a time to the TXD0 pin on the rising edge of the shift clock which is output on the SCLK0 pin.

In SCLK Input Mode with the setting SC0CR<IOC> = 1, the data in the Transmission Buffer is output one bit at a time on the TXD0 pin on the rising or falling edge of the SCLK0 input, according to the SC0CR<SCLKS> setting.

- In UART Mode

When transmission data sent from the CPU is written to the Transmission Buffer, transmission starts on the rising edge of the next TXDCLK, generating a transmission shift clock TXDSFT.

Handshake function

Serial Channels 0, 1 each has a  $\overline{\text{CTS}}$  pin. Use of this pin allows data can be sent in units of one frame; thus, Overrun errors can be avoided. The handshake functions is enabled or disabled by the SC0MOD <CTSE> setting.

When the  $\overline{\text{CTS}}$  pin foes High on completion of the current data send, data transmission is halted until the  $\overline{\text{CTS}}$  pin foes Low again. However, the INTTX0 Interrupt is generated, it requests the next data send to the CPU. The next data is written in the Transmission Buffer and data sending is halted. Though there is no  $\overline{\text{RTS}}$  pin, a handshake function can be easily configured by setting any port assigned to be the  $\overline{\text{RTS}}$  function. The  $\overline{\text{RTS}}$  should be output "High" to request send data halt after data receive is completed by software in the RXD interrupt routine.

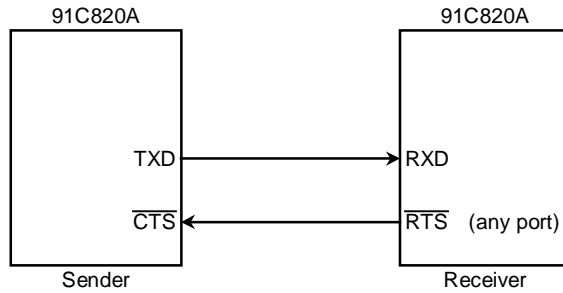
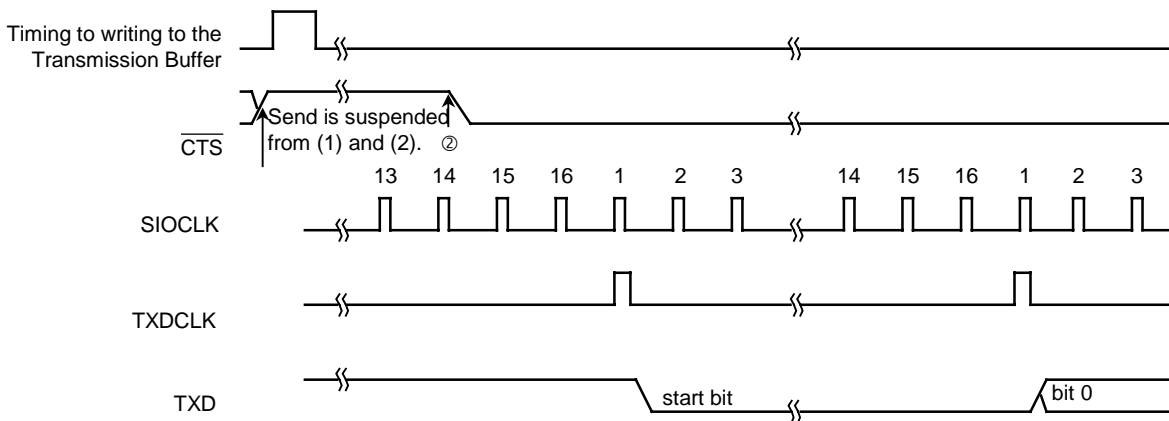


Figure 3.9.6 Handshake function



Note 1: If the  $\overline{\text{CTS}}$  signal goes High during transmission, no more data will be sent after completion of the current transmission.

Note 2: Transmission starts on the first falling edge of the TXDCLK clock after the  $\overline{\text{CTS}}$  signal has fallen.

Figure 3.9.7  $\overline{\text{CTS}}$  (Clear to send) Timing

(9) Transmission Buffer

The Transmission Buffer (SC0BUF) shifts out and sends the transmission data written from the CPU from the least significant bit (LSB) in order. When all the bits are shifted out, the Transmission Buffer becomes empty and generates an INTTX0 interrupt.

(10) Parity control circuit

When SC0CR<PE> in the Serial Channel Control Register is set to 1, it is possible to transmit and receive data with parity. However, parity can be added only in 7-Bit UART Mode or 8-Bit UART Mode. The SC0CR<EVEN> field in the Serial Channel Control Register allows either even or odd parity to be selected.

In the case of transmission, parity is automatically generated when data is written to the Transmission Buffer SC0BUF. The data is transmitted after the parity bit has been stored in SC0BUF<TB7> in 7-Bit UART Mode or in SC0MOD0<TB8> in 8-Bit UART Mode. SC0CR<PE> and SC0CR<EVEN> must be set before the transmission data is written to the Transmission Buffer. In the case of receiving, data is shifted into Receiving Buffer 1, and the parity is added after the data has been transferred to Receiving Buffer 2 (SC0BUF), and then compared with SC0BUF<RB7> in 7-Bit UART Mode or with SC0CR<RB8> in 8-Bit UART Mode. If they are not equal, a Parity error is generated and the SC0CR<PERR> flag is set.

(11) Error flags

Three error flags are provided to increase the reliability of data reception.

1. Overrun error <OERR>

If all the bits of the next data item have been received in Receiving Buffer 1 while valid data still remains stored in Receiving Buffer 2 (SC0BUF), an Overrun error is generated.

2. Parity error <PERR>

The parity generated for the data shifted into Receiving Buffer 2 (SC0BUF) is compared with the parity bit received via the RXD pin. If they are not equal, a Parity error is generated.

3. Framing error <FERR>

The stop bit for the received data is sampled three times around the center. If the majority of the samples are 0, a Framing error is generated.

## (12) Timing generation

## ① In UART Mode

## Receiving

Mode	9-Bit (Note)	8-Bit + Parity (Note)	8-Bit, 7-Bit + Parity, 7-Bit
Interrupt timing	Center of last bit (bit 8)	Center of last bit (parity bit)	Center of stop bit
Framing error timing	Center of stop bit	Center of stop bit	Center of stop bit
Parity error timing		Center of last bit (parity bit)	Center of last bit (parity bit)
Overrun error timing	Center of last bit (bit 8)	Center of last bit (parity bit)	Center of stop bit

Note: In 9-Bit and 8-Bit + Parity Modes, interrupts coincide with the ninth bit pulse.

Thus, when servicing the interrupt, it is necessary to wait for a 1-bit period (to allow the stop bit to be transferred) to allow checking for a framing error.

## Transmitting

Mode	9-Bit	8-Bit + Parity	8-Bit, 7-Bit + Parity, 7-Bit
Interrupt timing	Just before stop bit is transmitted	Just before stop bit is transmitted	Just before stop bit is transmitted

## ② I/O interface

Transmission Interrupt timing	SCLK Output Mode	Immediately after rise of last SCLK signal. (See figure 3.9 19.)
	SCLK Input Mode	Immediately after rise of last SCLK signal Rising Mode, or immediately after fall in Falling Mode. (See figure 3.9 20.)
Receiving Interrupt timing	SCLK Output Mode	Timing used to transfer received to data Receive Buffer 2 (SC0BUF) (i.e. immediately after last SCLK). (See figure 3.9 21.)
	SCLK Input Mode	Timing used to transfer received data to Receive Buffer 2 (SC0BUF) (i.e. immediately after last SCLK). (See figure 3.9 22.)



3.9.3 SFR

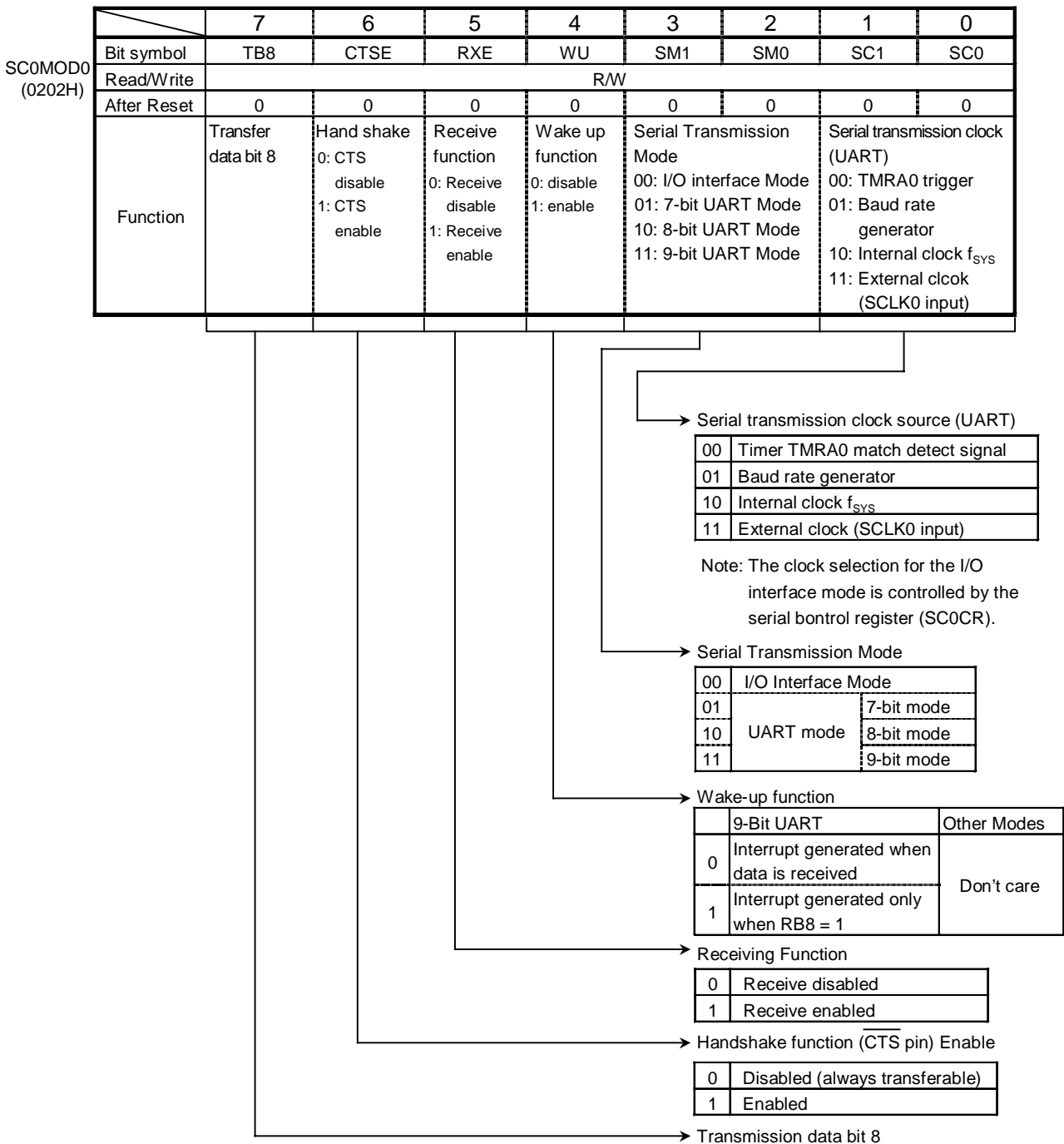


Figure 3.9.8 Serial Mode Control Register (channel 0, SC0MOD0)

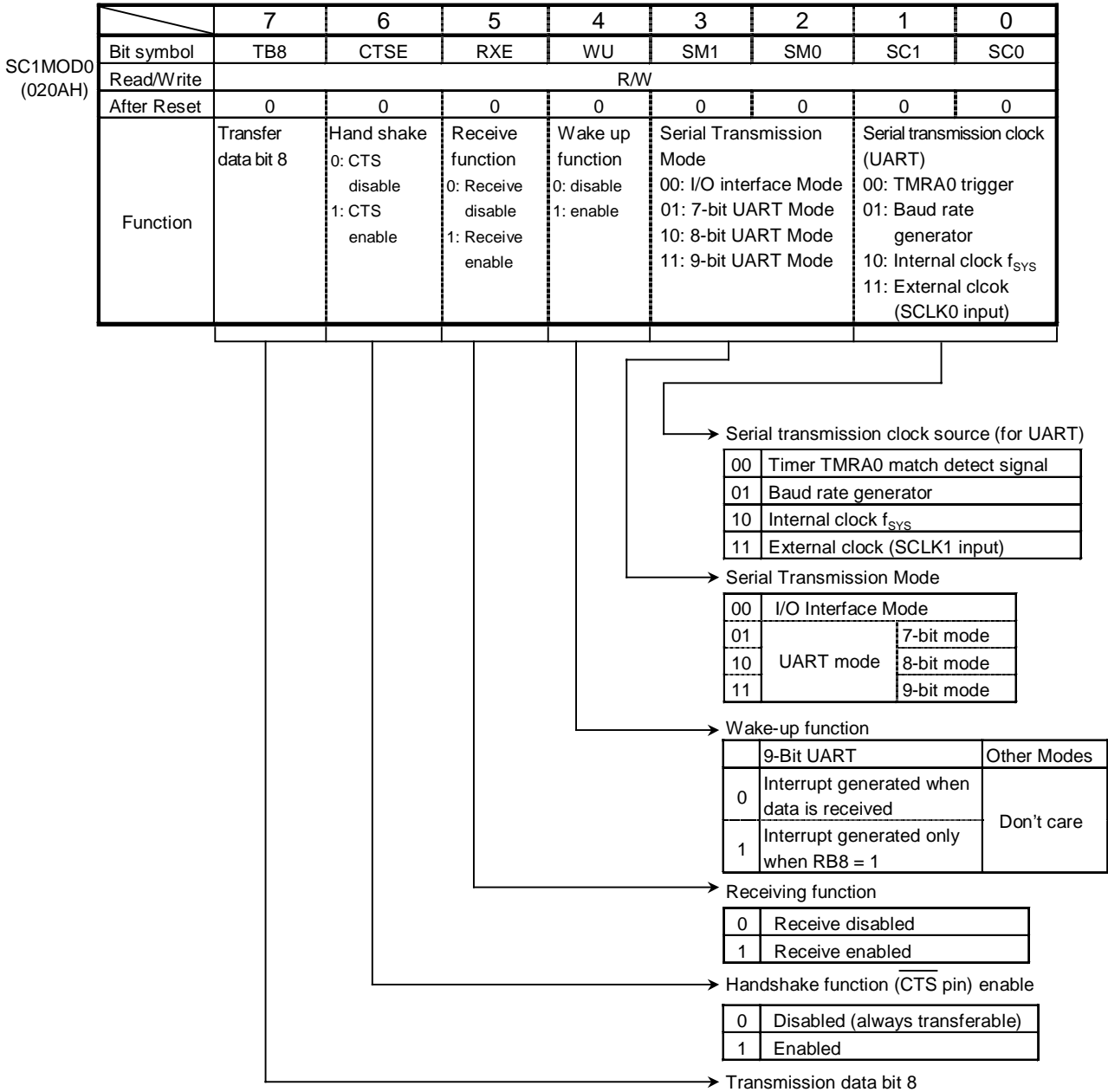


Figure 3.9.9 Serial Mode Control Register (channel 1, SC1MOD0)

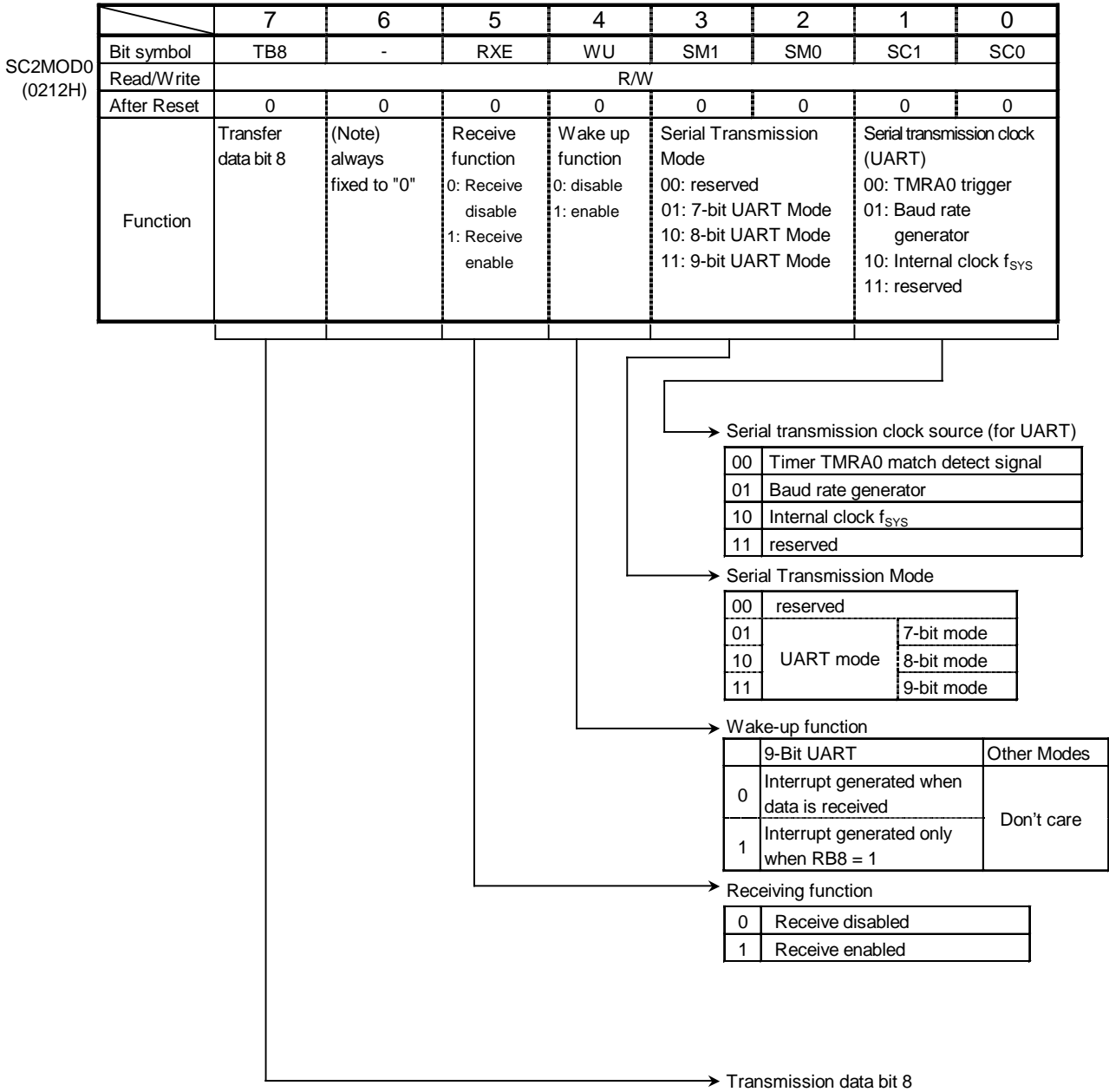
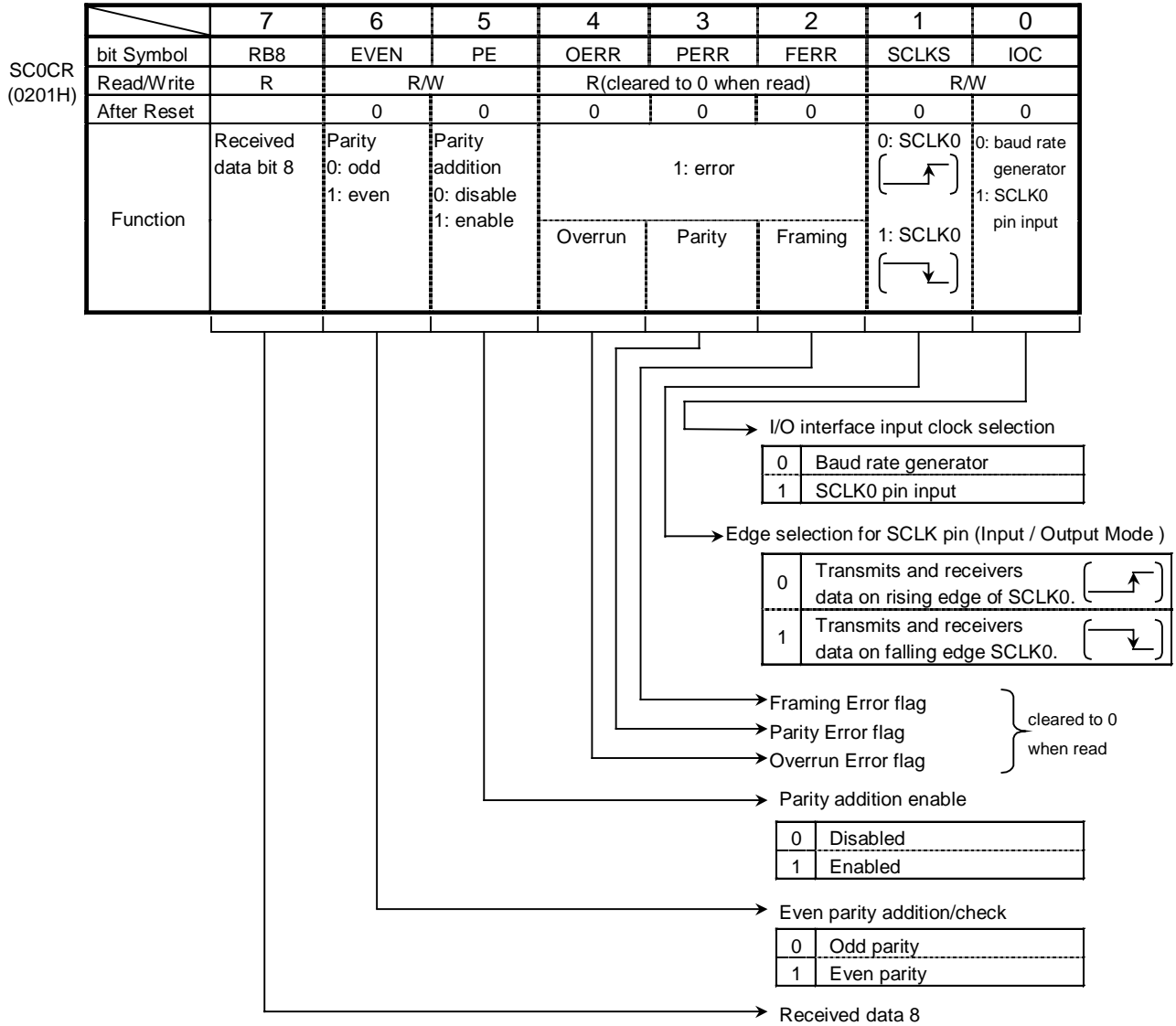
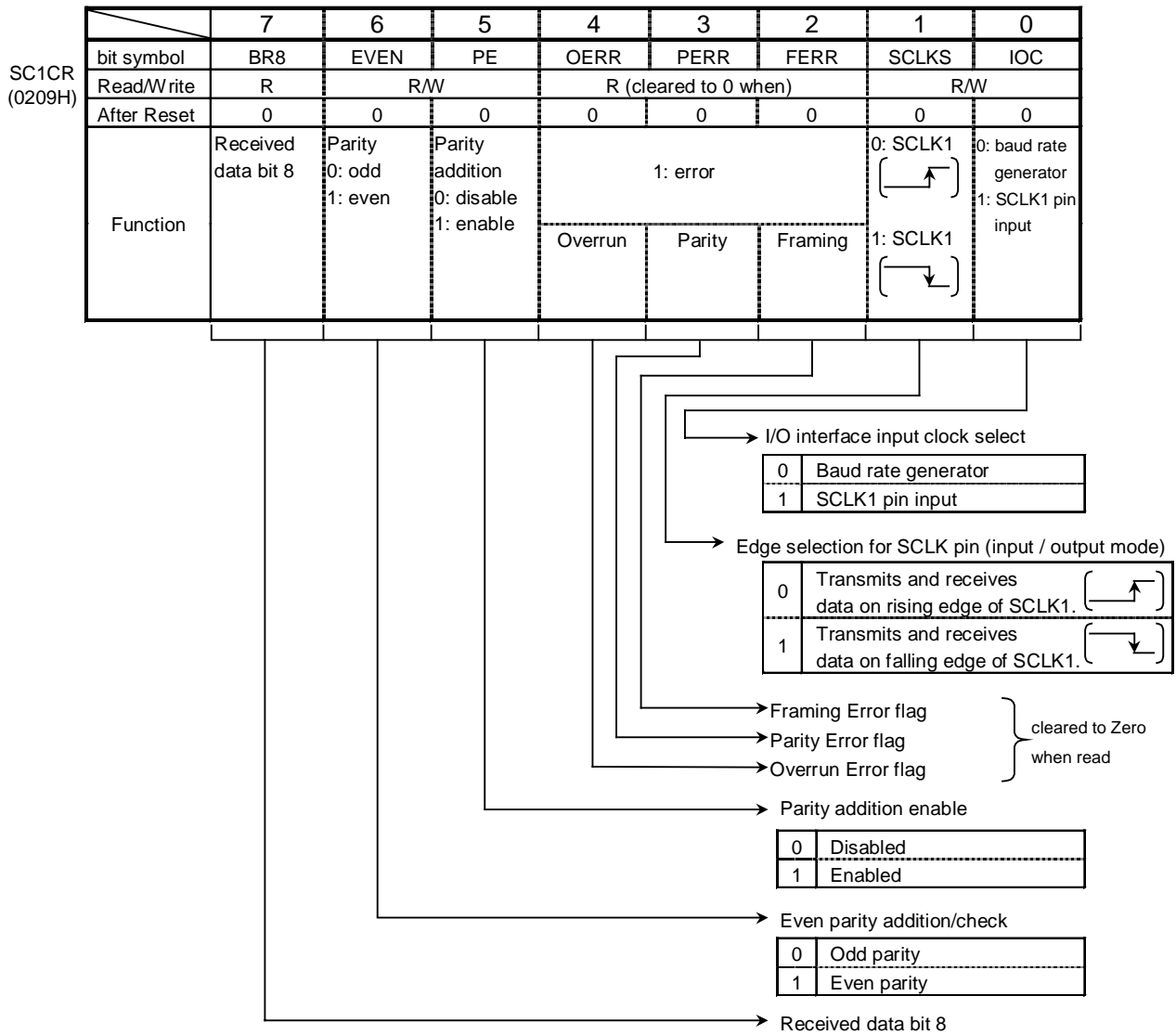


Figure 3.9.10 Serial Mode Control Register (channel 2, SC2MOD0)



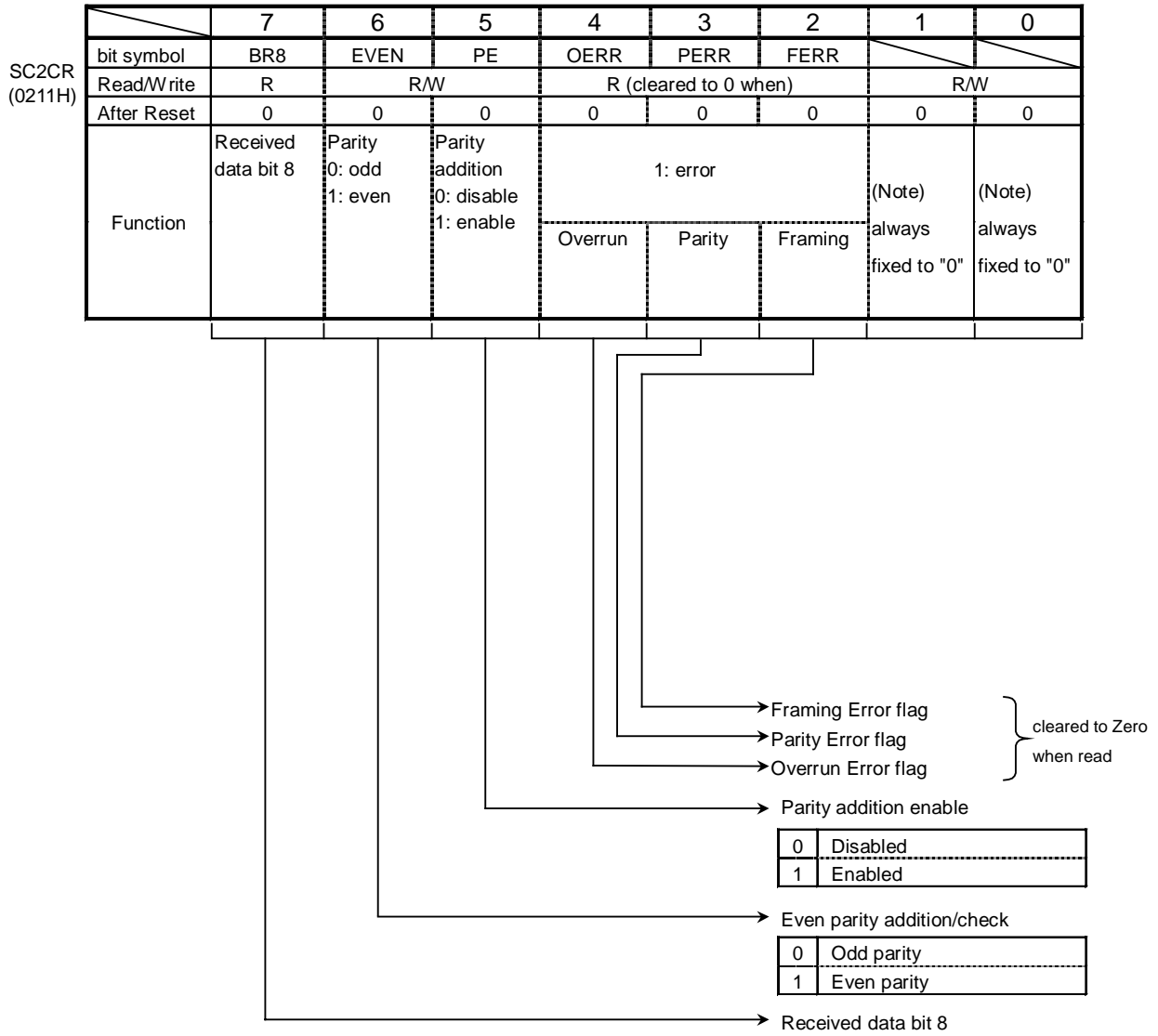
Note: As all error flags are cleared after reading do not test only a single bit with a bit-testing instruction.

Figure 3.9.11 Serial Control Register (channel 0, SC0CR)



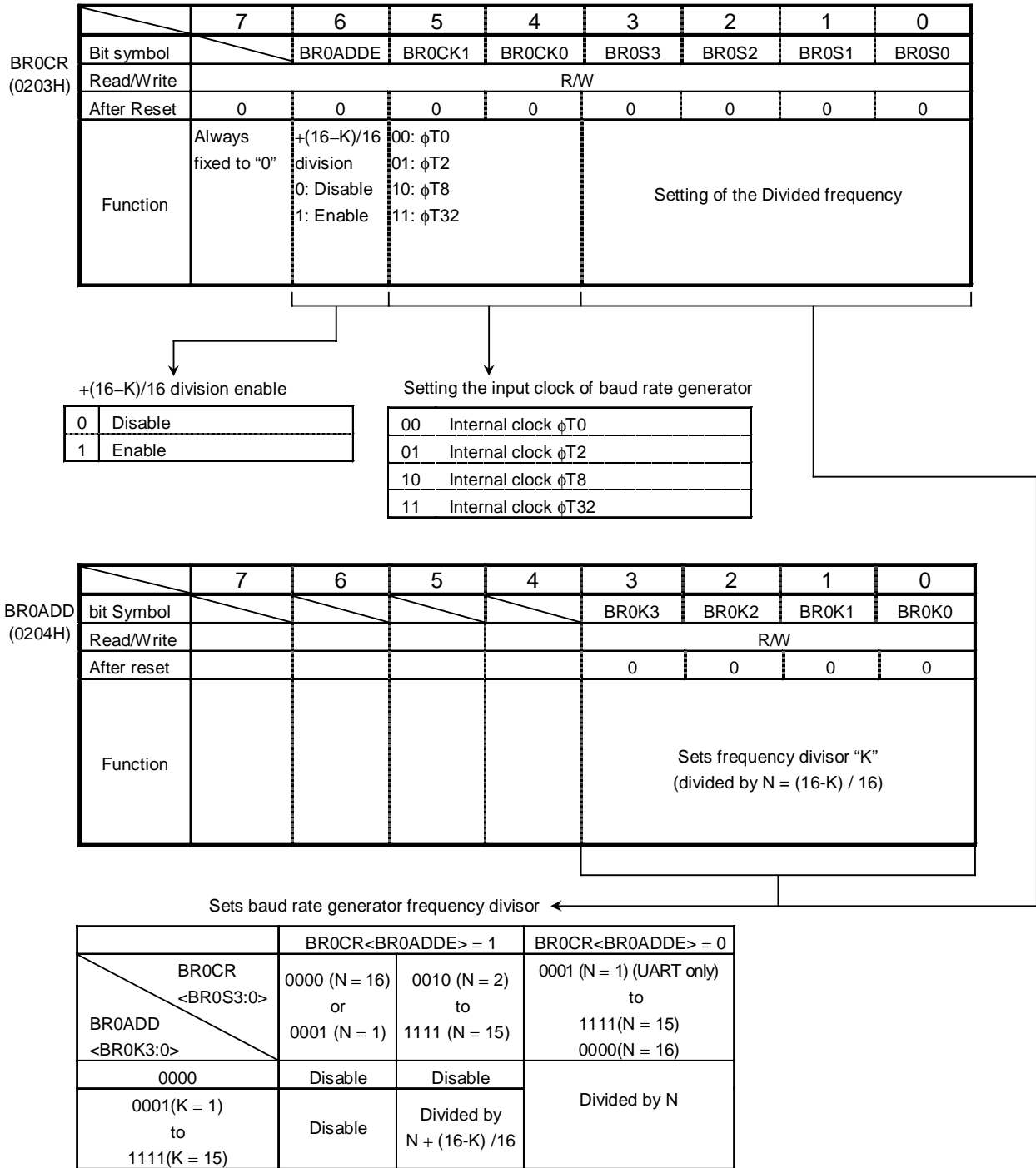
Note: As all error flags are cleared after reading do not test only a single bit with a bit-testing instruction.

Figure 3.9.12 Serial Control Register (channel 1, SC1CR)



Note: As all error flags are cleared after reading do not test only a single bit with a bit-testing instruction.

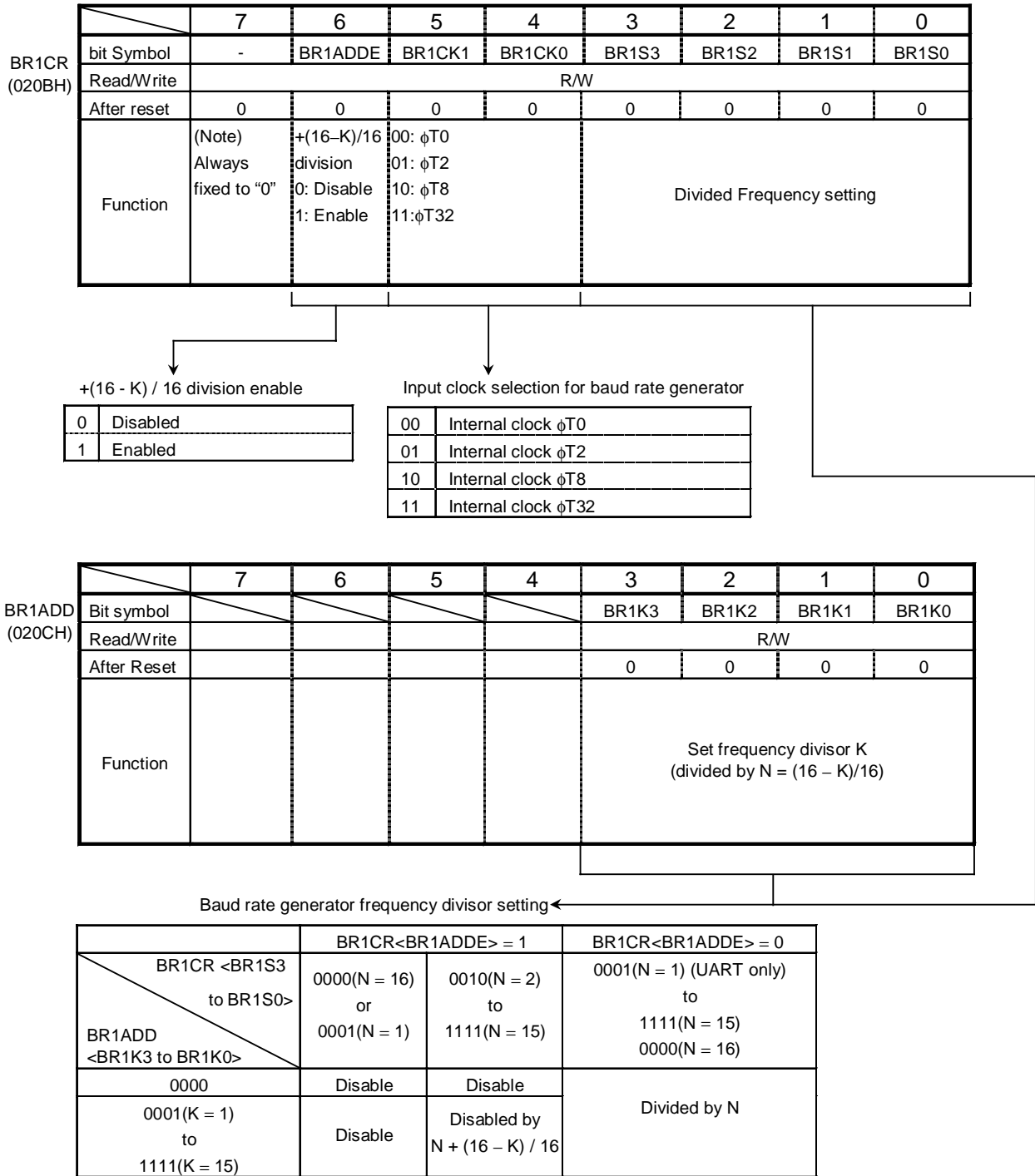
Figure 3.9.13 Serial Control Register (channel 2, SC2CR)



Note 1: Set BR0CR <BR0ADDE> to "1" after setting K (K = 1 to 15) to BR0ADD<BR0K3 to 0> when + (16 - K)/16 division function is used.

Note 2: + (16 - K)/16 division function is possible to use in only UART mode.  
Set BR0CR <BR0ADDE> to "0" and disable + (16 - K)/16 division function in I/O interface mode.

Figure 3.9.14 Baud rate generator control (channel 0, BR0CR, BR0ADD)

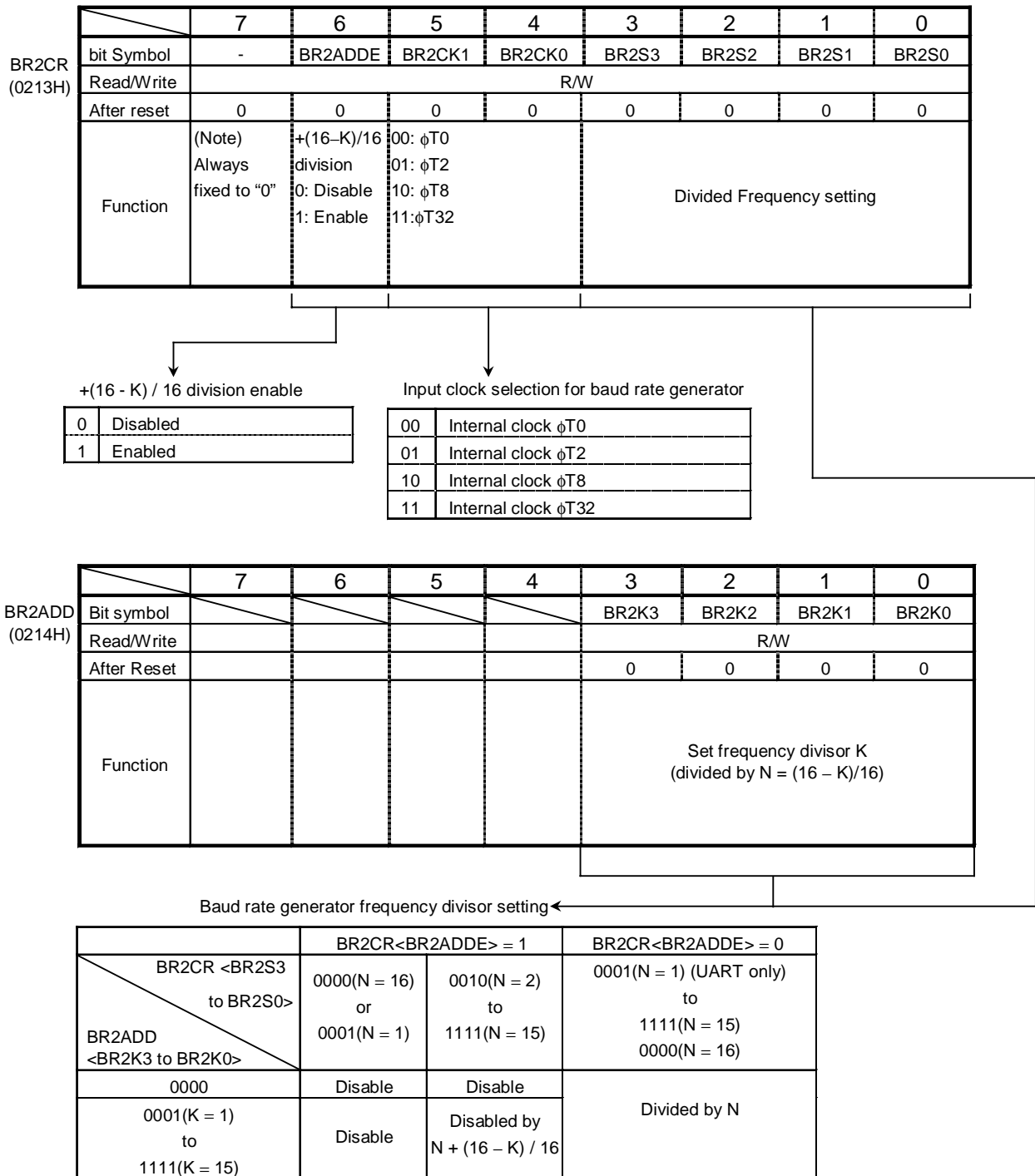


Note 1: Set BR1CR <BR1ADDE> to "1" after setting K (K = 1 to 15) to BR1ADD <BR1K3 to 0> when  $+(16 - K) / 16$  division function is used.

Note 2:  $+(16 - K) / 16$  division functions is possible to use in only UART mode.  
Set BR1CR <BR1ADDE> to "0" and disable  $+(16 - K) / 16$  division in I/O interface mode.

Figure 3.9.15 Baud rate generator control (channel 1, BR1CR, BR1ADD)

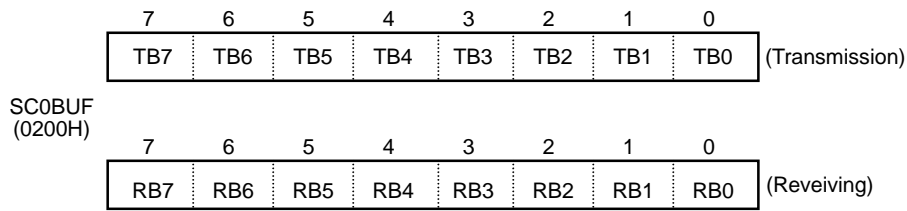




Note 1: Set BR2CR <BR2ADDE> to "1" after setting K (K = 1 to 15) to BR2ADD <BR2K3 to 0> when + (16 - K) / 16 division function is used.

Note 2: + (16 - K) / 16 division functions is possible to use in only UART mode.  
Set BR2CR <BR2ADDE> to "0" and disable + (16 - K) / 16 division in I/O interface mode.

Figure 3.9.16 Baud rate generator control (channel 2, BR2CR, BR2ADD)

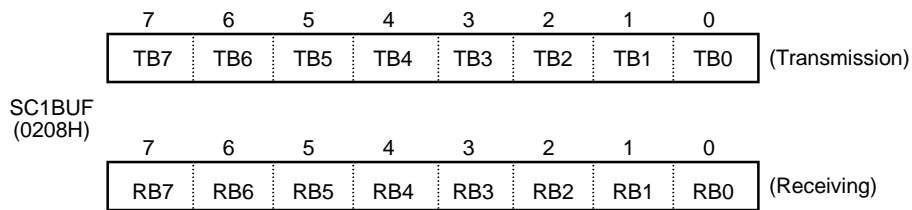


Note: Prohibit read modify write for SC0BUF.

Figure 3.9.17 Serial Transmission/Receiving Buffer Registers (channel 0, SC0BUF)

		7	6	5	4	3	2	1	0
SC0MOD1 (0205H)	Bit symbol	I2S0	FDPX0						
	Read/Write	R/W	R/W						
	After Reset	0	0						
	Function	IDLE2 0: Stop 1: Run	duplex 0: half 1: full						

Figure 3.9.18 Serial Mode Control Register 1 (channel 0, SC0MOD1)

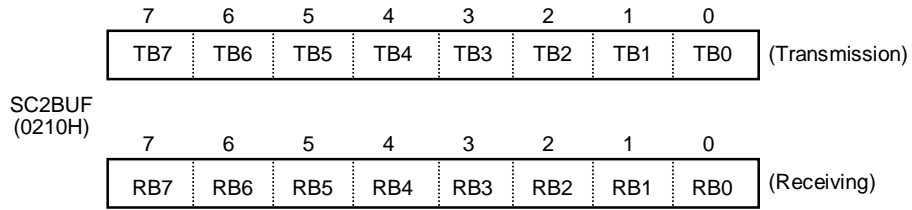


Note: Prohibit read modify write for SC1BUF.

Figure 3.9.19 Serial Transmission/Receiving Buffer Registers (channel 1, SC1BUF)

		7	6	5	4	3	2	1	0
SC1MOD1 (020DH)	bit Symbol	I2S0	FDPX0						
	Read/Write	R/W	R/W						
	After Reset	0	0						
	Function	IDLE2 0: Stop 1: Run	duplex 0: half 1: full						

Figure 3.9.20 Serial Mode Control Register 1 (channel 1, SC1MOD1)



Note: Prohibit read modify write for SC2BUF.

Figure 3.9.21 Serial Transmission/Receiving Buffer Registers (channel 2, SC2BUF)

	7	6	5	4	3	2	1	0
bit Symbol	I2S0	FDPX0						
Read/Write	R/W	R/W						
After Reset	0	0						
Function	IDLE2	duplex						
	0: Stop	0: half						
	1: Run	1: full						

Figure 3.9.22 Serial Mode Control Register 1 (channel 2, SC2MOD1)

3.9.4 Operation in each mode

(1) Mode 0 (I/O Interface Mode)

This mode allows an increase in the number of I/O pins available for transmitting data to or receiving data from an external shift register.

This mode includes the SCLK output mode to output synchronous clock SCLK and SCLK input mode to input external synchronous clock SCLK.

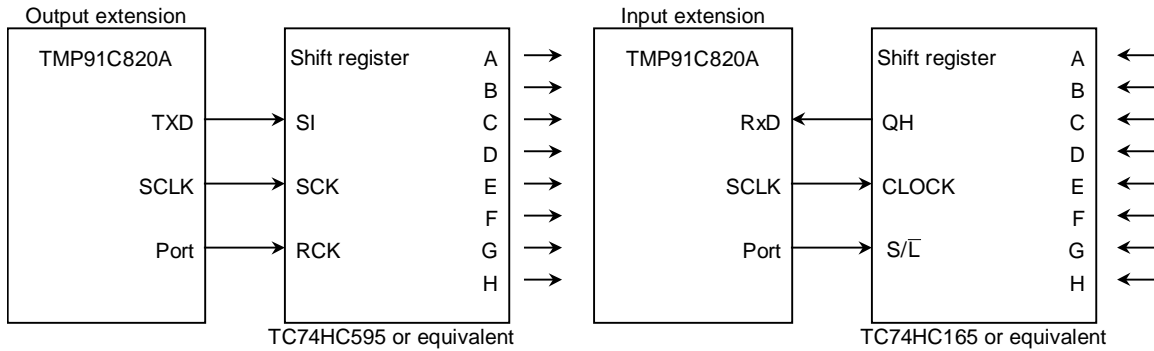


Figure 3.9.23 SCLK Output Mode connection example

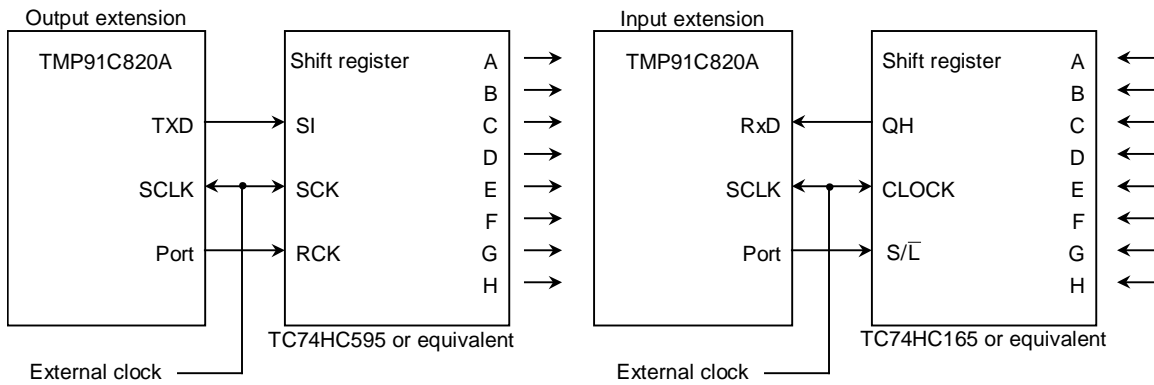


Figure 3.9.24 Example of SCLK Input Mode Connection

① Transmission

In SCLK output mode 8-bit data and a synchronous clock are output on the TXD0 and SCLK0 pins respectively each time the CPU writes the data to the Transmission Buffer. When all data is output, INTES0 <ITX0C> will be set to generate the INTTX0 interrupt.

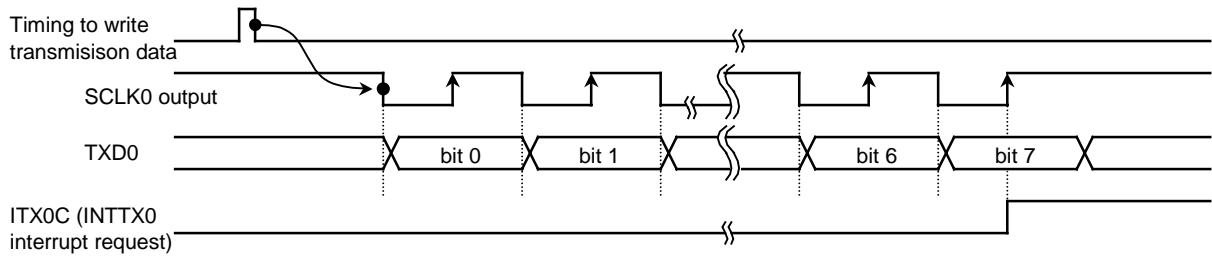


Figure 3.9.25 Transmitting Operation in I/O Interface Mode (SCLK0 Output Mode)  
(Channel 0)

In SCLK Input Mode, 8-bit data is output on the TXD0 pin when the SCLK0 input becomes active after the data has been written to the Transmission Buffer by the CPU.

When all data is output, INTES0 <ITX0C> will be set to generate INTTX0 interrupt.

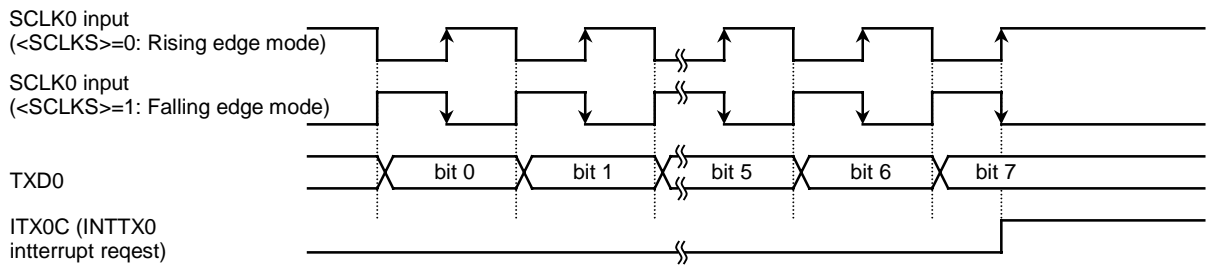


Figure 3.9.26 Transmitting Operation in I/O Interface Mode (SCLK0 Input Mode)  
(channel 0)

② Receiving

In SCLK output mode, the synchronous clock is outputted from SCLK0 pin and the data is shifted to Receiving Buffer 1. This starts when the Receive Interrupt flag INTES0<IRX0C> is cleared by reading the received data. When 8-bit data are received, the data will be transferred to Receiving Buffer 2 (SC0BUF according to the timing shown below) and INTES0<IRX0C> will be set to generate INTRX0 interrupt.

The outputting for the first SCLK0 starts by setting SC0MOD0<RXE> to 1.

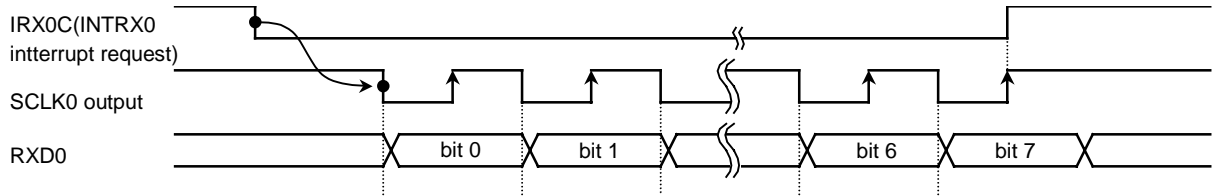


Figure 3.9.27 Receiving operation in I/O Interface Mode (SCLK0 Output Mode)  
(Channel 0)

In SCLK input mode, the data is shifted to Receiving Buffer 1 when the SCLK input becomes active after the receive Interrupt flag INTES0 <IRX0C> is cleared by reading the received data. When 8-bit data is received, the data will be shifted to Receiving Buffer 2 (SC0BUF according to the timing shown below) and INTES0 <IRX0C> will be set again to be generate INTRX0 interrupt.

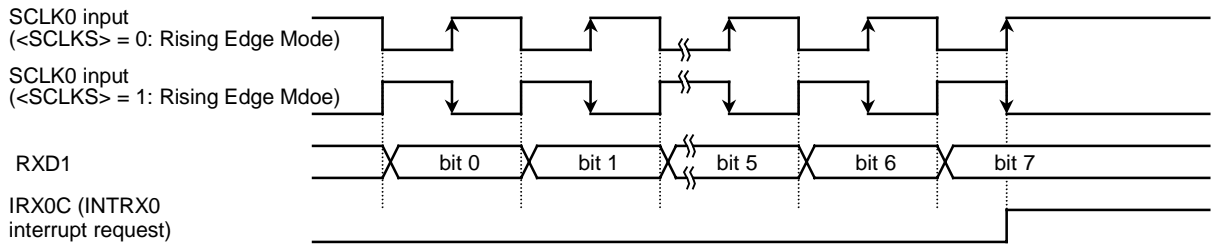


Figure 3.9.28 Receiving Operation in I/O interface Mode (SCLK0 Input Mode)  
(Channel 0)

Note: The system must be put in the Receive Enable state (SCMOD0<RXE> = 1) before data can be received.

## ③ Transmission and Receiving (Full Duplex Mode)

When the full duplex mode is used, set the level of Receive Interrupt to "0" and set enable the level of Transmit interrupt. In the transmit interrupt program, read the receiving buffer before setting the next transmit data.

The example is following.

Example: Channel 0, SCLK output

Baud rate = 9600 bps

$f_c = 14.7456$  MHz

System clock : High frequency ( $f_c$ )

Clock gear : 1 ( $f_c$ )

Prescaler clock :  $f_{FPH}$

## Main routine

	7	6	5	4	3	2	1	0	
INTES0	0	0	0	1	0	0	0	0	Set the INTTX0 level to 1.
PCCR	-	-	-	-	-	1	0	1	Set the INTRX0 level to 0.
									Set PC0, PC1 and PC2 to function as the TXD0, RXD0 and SCLK0 pins respectively.
PCFC	-	-	-	-	-	1	-	1	
SC0MOD	0	0	0	0	0	0	0	0	Select I/O Interface Mode.
	0								
SC0MOD	1	1	0	0	0	0	0	0	Select Full Duplex Mode.
	1								
SC0CR	0	0	0	0	0	0	0	0	Sclk_out, transmit on negative edge, receive on positive edge
BR0CR	0	0	1	1	0	0	1	1	Baud rate = 9600 bps
SC0MOD	0	0	1	0	0	0	0	0	Enable receiving
	0								
SC0BUF	*	*	*	*	*	*	*	*	Set the transmit data and start.

## INTTX0 interrupt routine

Acc SC0BUF									Read the receiving buffer.
SC0BUF	*	*	*	*	*	*	*	*	Set the next transmit data.

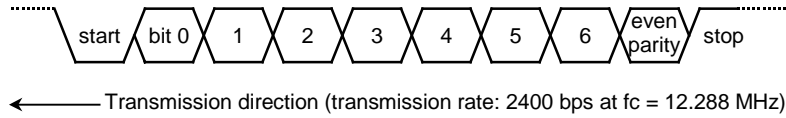
Note: X = Don't care; "-" = No change

(2) Mode 1 (7-bit UART Mode)

7-Bit UART Mode is selected by setting the Serial Channel Mode Register SC0MOD0<SM1, SM0> field to 01.

In this mode a parity bit can be added. Use of a parity bit is enabled or disabled by the setting of the Serial Channel Control Register SC0CR<PE> bit; whether even parity or odd parity will be used is determined by the SC0CR<EVEN> setting when SC0CR<PE> is set to 1 (enabled).

Setting example: When transmitting data of the following format, the control registers should be set as described below. This explanation applies to Channel 0.



\* Clock state  
 System clock: High frequency (fc)  
 Clock gear: 1 (fc)  
 Prescaler clock: System clock

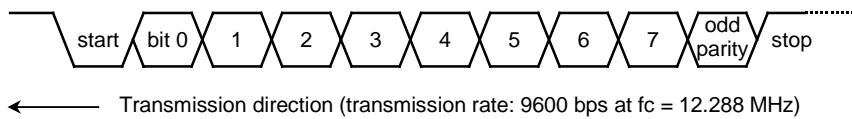
	7 6 5 4 3 2 1 0	
P9CR	← - - - - - - - 1	} Set PC0 to function as the TXD0 pin.
P9FC	← - - - - - - - 1	
SC0MOD	← X 0 - X 0 1 0 1	Select 7-Bit UART Mode.
SC0CR	← X 1 1 X X X 0 0	Add even parity.
BR0CR	← 0 0 1 0 0 1 0 1	Set the transfer rate to 2400 bps.
INTES0	← 1 1 0 0 - - - -	Enable the INTTX0 interrupt and set it to Interrupt Level 4.
SC0BUF	← * * * * * * * *	Set data for transmission.

Note: X = Don't care; "-" = No change

(3) Mode 2 (8-Bit UART Mode)

8-Bit UART Mode is selected by setting SC0MOD0<SM1, SM0> to 10. In this mode a parity bit can be added (use of a parity bit is enabled or disabled by the setting of SC0CR<PE>); whether even parity or odd parity will be used is determined by the SC0CR<EVEN> setting when SC0CR<PE> is set to 1 (enabled).

Setting example: When receiving data of the following format, the control registers should be set as described below.





\* Clock state  
 { System clock: High frequency (fc)  
 Clock gear: 1 (fc)  
 Prescaler clock: System clock

Main settings

	7 6 5 4 3 2 1 0	
P9CR	← - - - - - 0 -	Set PC1 to function as the TXD0 pin.
SC0MOD	← - 0 1 X 1 0 0 1	Enable receiving in 8-Bit UART Mode.
SC0CR	← X 0 1 X X X 0 0	Add even parity.
BR0CR	← 0 0 0 1 0 1 0 1	Set the transfer rate to 9600 bps.
INTES0	← - - - - 1 1 0 0	Enable the INTTX0 interrupt and <u>set it to Interrupt Level 4.</u>

Interrupt processing

Acc	← SC0CR AND 00011100	} Check for errors.
if Acc	≠ 0 then ERROR	
Acc	← SC0BUF	Read the received data.

Note: X = Don't care; "-" = No change

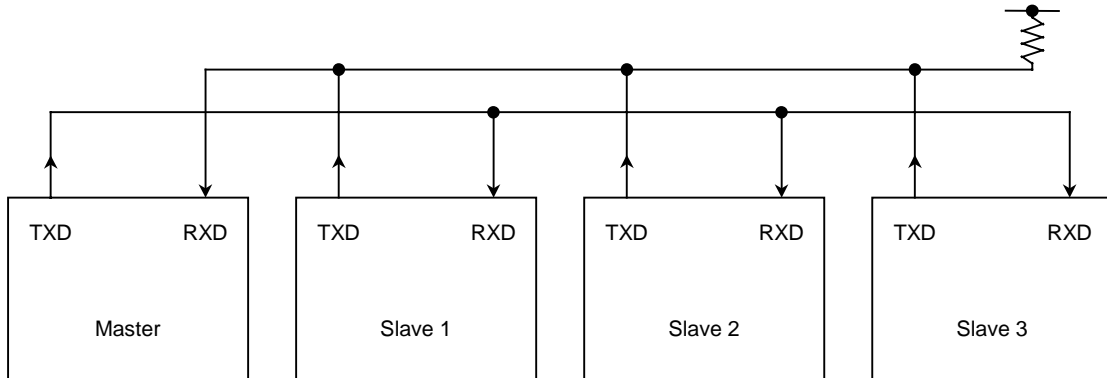
(4) Mode 3 (9-Bit UART Mode)

9-Bit UART Mode is selected by setting SC0MOD0<SM1, SM0> to 11. In this mode parity bit cannot be added.

In the case of transmission the MSB (9th bit) is written to SC0MOD0<TB8>. In the case of receiving it is stored in SC0CR<RB8>. When the buffer is written and read, the MSB is read or written first, before the rest of the SC0BUF data.

Wake-up function

In 9-Bit UART Mode, the wake-up function for slave controllers is enabled by setting SC0MOD0<WU> to 1. The interrupt INTRX0 occurs only when <RB8> = 1.

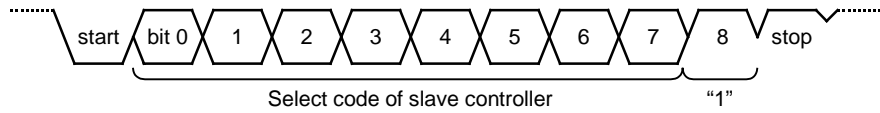


Note: The TXD pin of each slave controller must be in Open-Drain Output Mode.

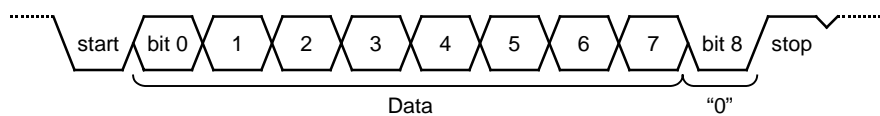
Figure 3.9.29 Serial Link using Wake-up function

Protocol
----------

- ① Select 9-Bit UART Mode on the master and slave controllers.
- ② Set the SC0MOD0<WU> bit on each slave controller to 1 to enable data receiving.
- ③ The master controller transmits one-frame data including the 8-bit select code for the slave controllers. The MSB (bit 8)<TB8> is set to 1.

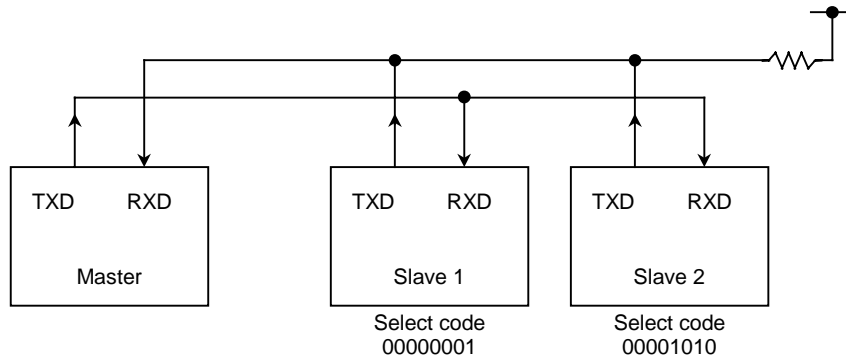


- ④ Each slave controller receives the above frame. Each controller checks the above select code against its own select code. The controller whose code matches clears its WU bit to 0.
- ⑤ The master controller transmits data to the specified slave controller whose SC0MOD<WU> bit is cleared to 0. The MSB (bit 8) <TB8> is cleared to 0.



- ⑥ The other slave controllers (whose <WU> bits remain at 1) ignore the received data because their MSB (bit 8 or <RB8>) are set to 0, disabling INTRX0 interrupts. The slave controller (WU bit = 0) can transmit data to the master controller, and it is possible to indicate the end of data receiving to the master controller by this transmission.

Setting example: To link two slave controllers serially with the master controller using the internal clock  $f_{SYS}$  as the transfer clock.



Since Serial Channels 0 and 1 operate in exactly the same way, Channel 0 only is used for the purposes of this explanation.

• Setting the master controller

Main

P9CR	← - - - - - 0 1	} Set PC0 and PC1 to function as the TXD0 and RXD0 pins respectively.
P9FC	← - - - - - X 1	
INTES0	← 1 1 0 0 1 1 0 1	Enable the INTTX0 interrupt and set it to Interrupt Level 4.
SC0MOD0	← 1 0 1 0 1 1 1 0	Enable the INTRX0 interrupt and set it to Interrupt Level 5.
SC0BUF	← 0 0 0 0 0 0 0 1	Set $f_{SYS}$ as the transmission clock for 9-Bit UART Mode.
		Set the select code for slave controller 1.

INTTX0 interrupt

SC0MOD0	← 0 - - - - - -	Set TB8 to 0.
SC0BUF	← * * * * * * * *	Set data for transmission.

• Setting the slave controller

Main

P9CR	← - - - - - 0 1	} Select PC1 and PC0 to function as the RXD0 and TXD0 pins respectively (open-drain output).
P9FC	← - - - - - X 1	
ODE	← X X X X X X - 1	
INTES0	← 1 1 0 1 1 1 1 0	Enable INTRX0 and INTTX0.
SC0MOD0	← 0 0 1 1 1 1 1 0	Set <WU> to 1 in 9-Bit UART Transmission Mode using $f_{SYS}$ as the transfer clock.

INTRX0 interrupt

Acc ← SC0BUF  
 if Acc = select code  
 Then SC0MOD0 ← - - - 0 - - - Clear <WU> to 0.

### 3.9.5 Support for IrDA

SIO0 includes support for the IrDA 1.0 infrared data communication specification.

Figure 3.9.30 shows the block diagram.

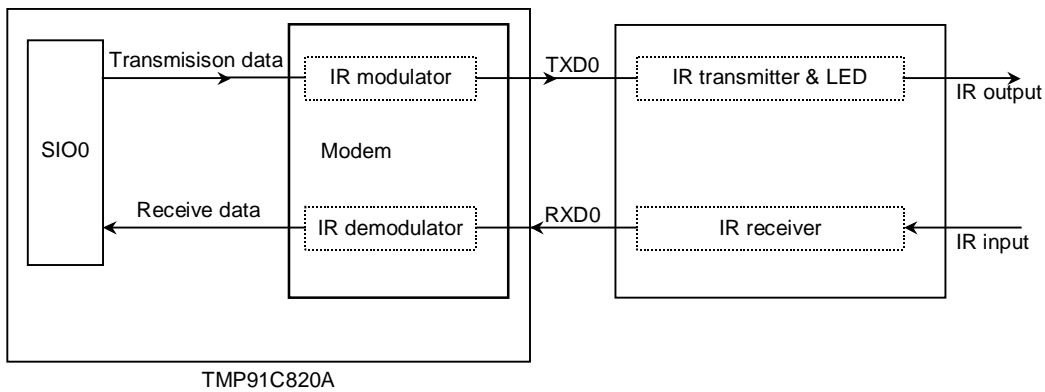


Figure 3.9.30 Block Diagram

#### (1) Modulation of the transmission data

When the transmit data is 0, the modem outputs 1 to TXD0 pin with either 3/16 or 1/16 times for width of baud-rate. The pulse width is selected by the SIRCR<PLSEL>. When the transmit data is 1, the modem outputs 0.

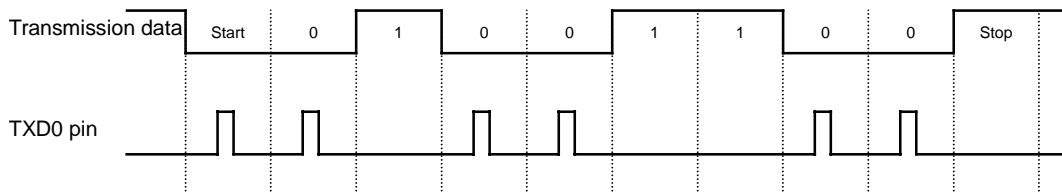


Figure 3.9.31 Transmission example

#### (2) Modulation of the receive data

When the receive data is the effective width of pulse “1”, the modem outputs “0” to SIO0. Otherwise the modem outputs “1” to SIO0. The effective pulse width is selected by SIRCR<SIRWD3 to SIRWD0>.

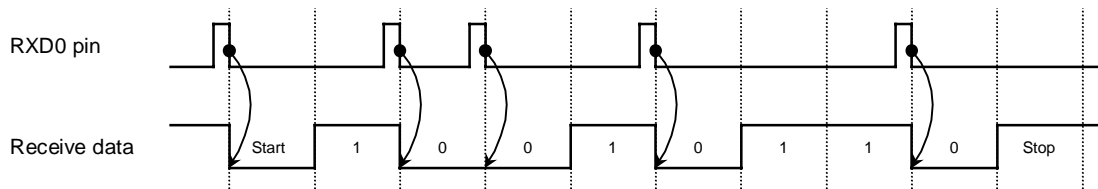


Figure 3.9.32 Receiving example

#### (3) Data format

The data format is fixed as follows:

- Data length: 8-bit
- Parity bits: none
- Stop bits: 1

## (4) SFR

Figure 3.9.33 shows the control register SIRCR. Set the data SIRCR during SIO0 is stopping. The following example describes how to set this register:

- 1) SIO setting ; Set the SIO to UART Mode.  
↓
- 2) LD (SIRCR), 07H ; Set the receive data pulse width to 16×.
- 3) LD (SIRCR), 37H ; TXEN, RXEN Enable the Transmission and receiving.  
↓
- 4) Start transmission ; The modem operates as follows:  
and receiving for SIO0
  - SIO0 starts transmitting.
  - IR receiver starts receiving.

## (5) Notes

The IrDA 1.0 specification is defined in Table 3.9.5.

Table 3.9.5 Baud rate and pulse width specifications

Baud Rate	Modulation	Rate Tolerance (% of rate)	Pulse Width (minimum)	Pulse Width (typical)	Pulse width (maximum)
2.4 kbps	RZI	±0.87	1.41 μs	78.13 μs	88.55 μs
9.6 kbps	RZI	±0.87	1.41 μs	19.53 μs	22.13 μs
19.2 kbps	RZI	±0.87	1.41 μs	9.77 μs	11.07 μs
38.4 kbps	RZI	±0.87	1.41 μs	4.88 μs	5.96 μs
57.6 kbps	RZI	±0.87	1.41 μs	3.26 μs	4.34 μs
115.2 kbps	RZI	±0.87	1.41 μs	1.63 μs	2.23 μs

The pulse width is defined either baud rate TX 3/16 or 1.6 μs (1.6 μs is equal to 3/16 pulse width when baud rate is 115.2 kbps).

The TMP91C820A has the function selects the pulse width of Transmission either 3/16 or 1/16. But 1/16 pulse width can be selected when the baud rate is equal or less than 38.4 kbps.

As the same reason, + (16-k)/16 division function in the baud rate generator of SIO0 can not be used to generate 115.2 kbps baud rate.

Also when the 38.4 kbps and 1/16 pulse width, + (16-k)/16 division function can not be used.

Table 3.9.6 Baud rate and pulse width for (16 – k) / 16 division function

Pulse Width	Baud Rate					
	115.2 kbps	57.6 kbps	38.4 kbps	19.2 kbps	9.6 kbps	2.4 kbps
T × 3/16	×	○	○	○	○	○
T × 1/16	–	–	×	○	○	○

○: Can be used (16-k)/16 division function

×: Can not be used (16-k)/16 division function

–: Can not be set to 1/16 pulse width

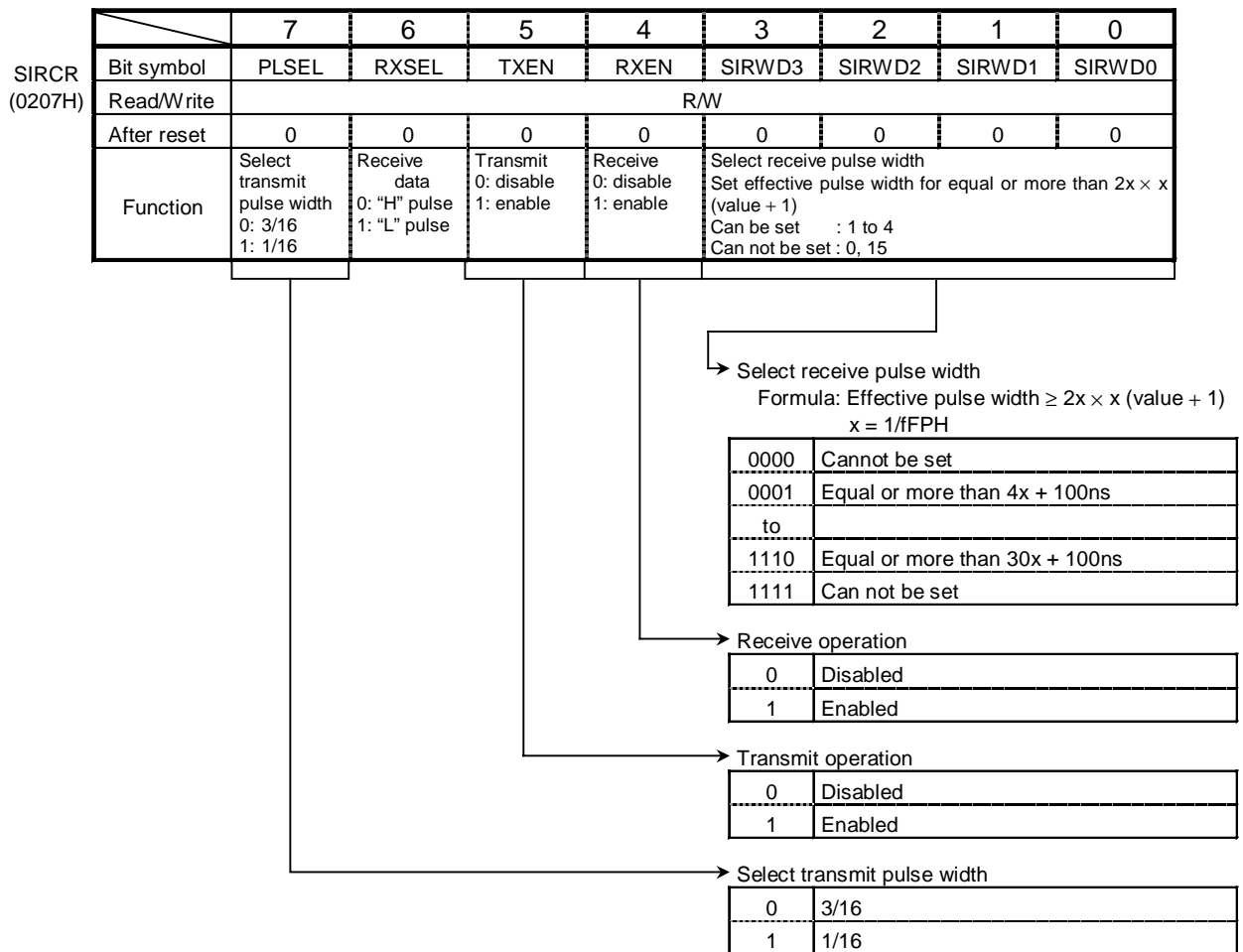


Figure 3.9.33 IrDA Control Register

### 3.10 Serial Bus Interface (SBI)

The TMP91C820A has a 1-channel serial bus interface which employs a clocked-synchronous 8-bit SIO mode and an I<sup>2</sup>C bus mode.

The serial bus interface is connected to an external device through P71 (SDA) and P72 (SCL) in the I<sup>2</sup>C bus mode; and through P70 (SCK), P71 (SO), P72 (SI) in the clocked-synchronous 8-bit SIO mode. Each pin is specified as follows.

	P7ODE <ODE72, ODE71>	P7CR <P72C, P71C, P70C>	P7FC <P72F, P71F, P70F>
I <sup>2</sup> C Bus Mode	11	11X	11X
Clocked Synchronous 8-Bit SIO Mode	XX	011 010	111

X: Don't care

#### 3.10.1 Configuration

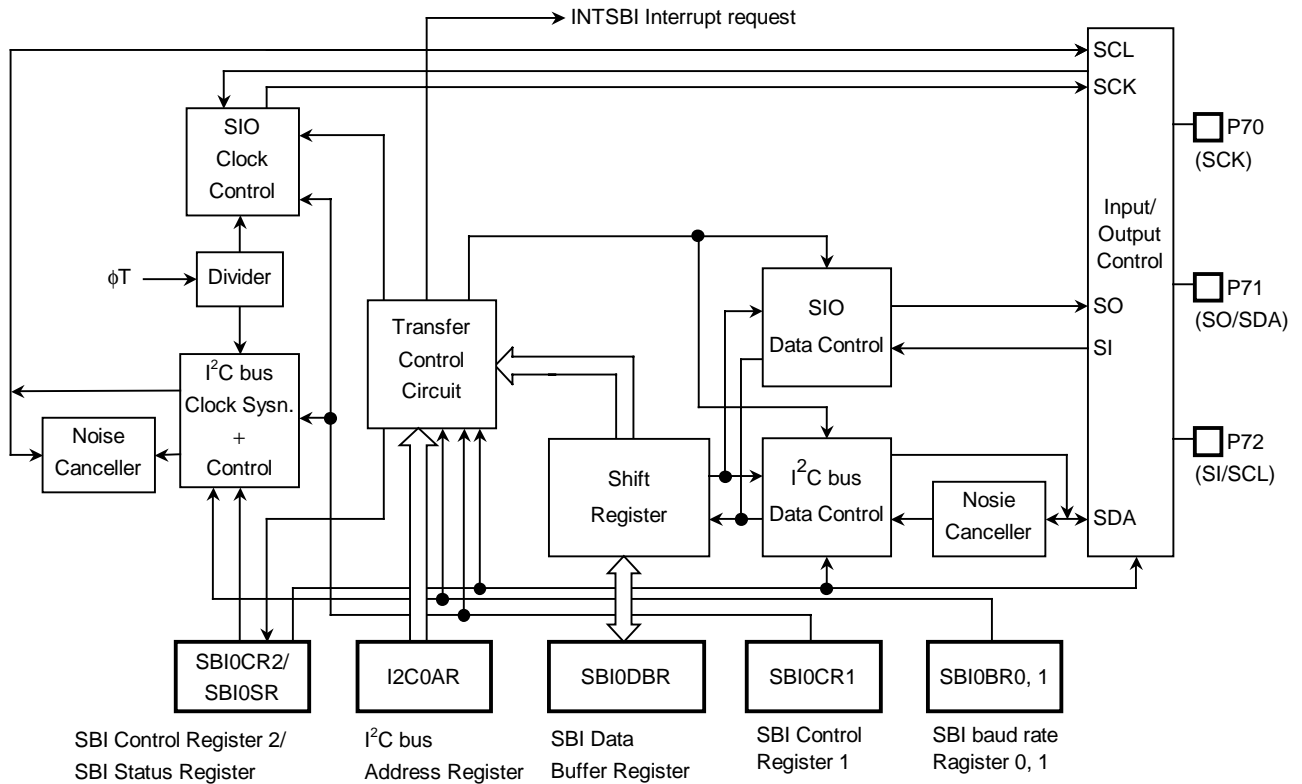


Figure 3.10.1 Serial Bus Interface (SBI)

3.10.2 Serial Bus Interface (SBI) Control

The following registers are used to control the serial bus interface and monitor the operation status.

- Serial bus interface control register 1 (SBI0CR1)
- Serial bus interface control register 2 (SBI0CR2)
- Serial bus interface data buffer register (SBI0DBR)
- I<sup>2</sup>C bus address register (I2C0AR)
- Serial bus interface status register (SBI0SR)
- Serial bus interface baud rate register 0 (SBI0BR0)
- Serial bus interface baud rate register 1 (SBI0BR1)

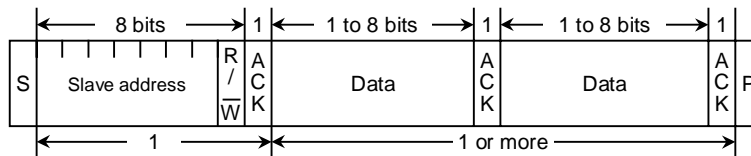
The above registers differ depending on a mode to be used.

Refer to Section “3.10.4 I2C bus Mode Control” and “3.10.7 Clocked-synchronous 8-bit SIO Mode Control”.

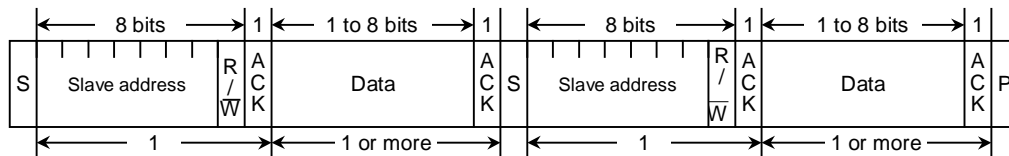
3.10.3 The Data Formats in the I<sup>2</sup>C Bus Mode

The data formats in the I<sup>2</sup>C bus mode is shown below.

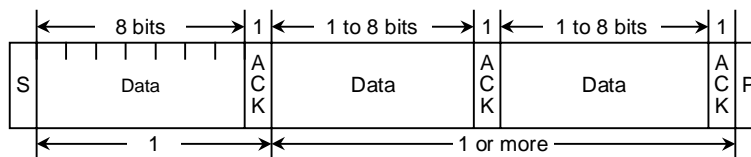
(a) Addressing format



(b) Addressing format (with restart)



(c) Free data format (data transferred from master device to slave device)



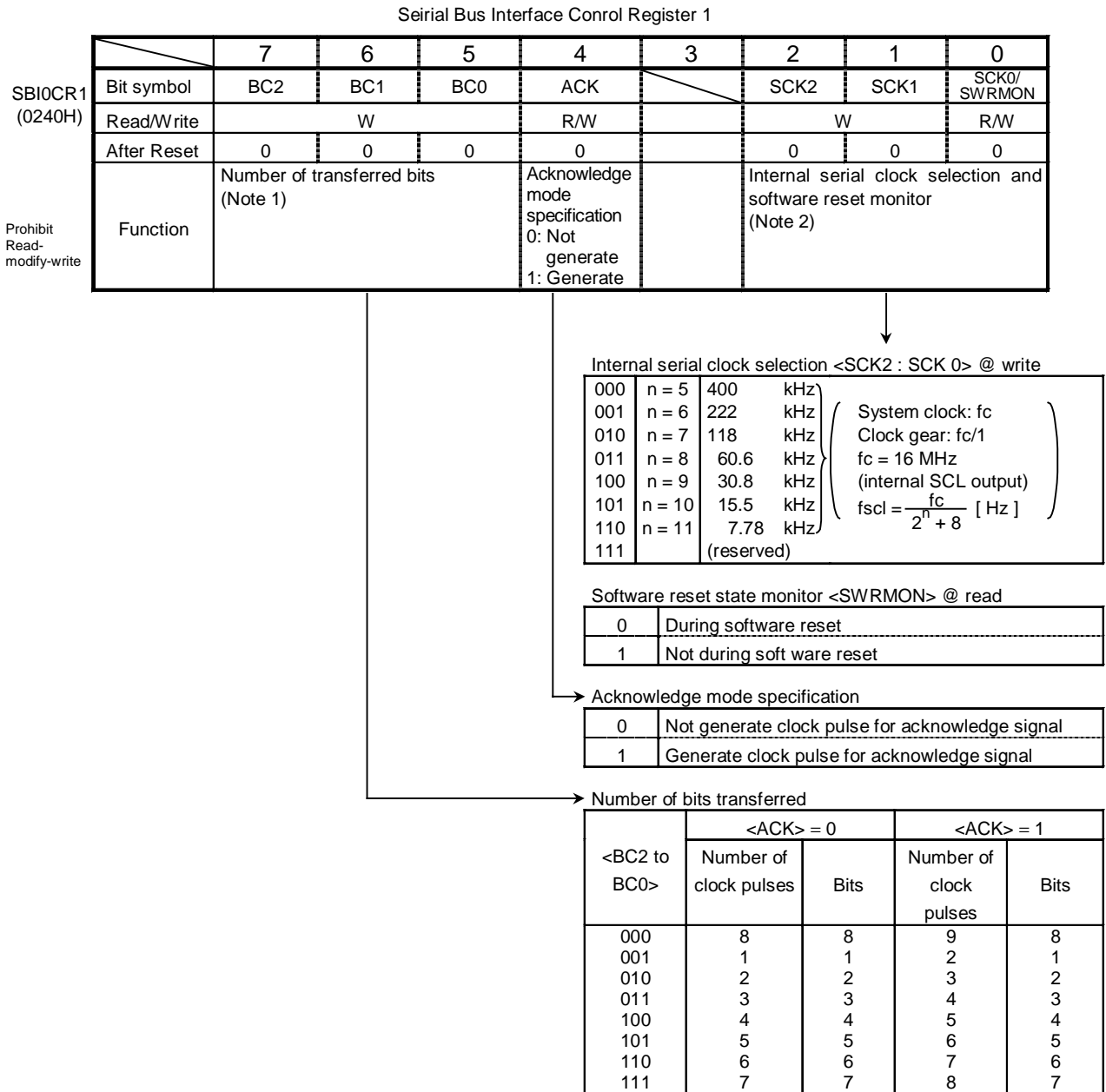
- Note:
- S: Start condition
  - R/ $\overline{W}$ : Direction bit
  - ACK: Acknowledge bit
  - P: Stop condition

Figure 3.10.2 Data format in the I<sup>2</sup>C Bus Mode



3.10.4 I<sup>2</sup>C Bus Mode Control

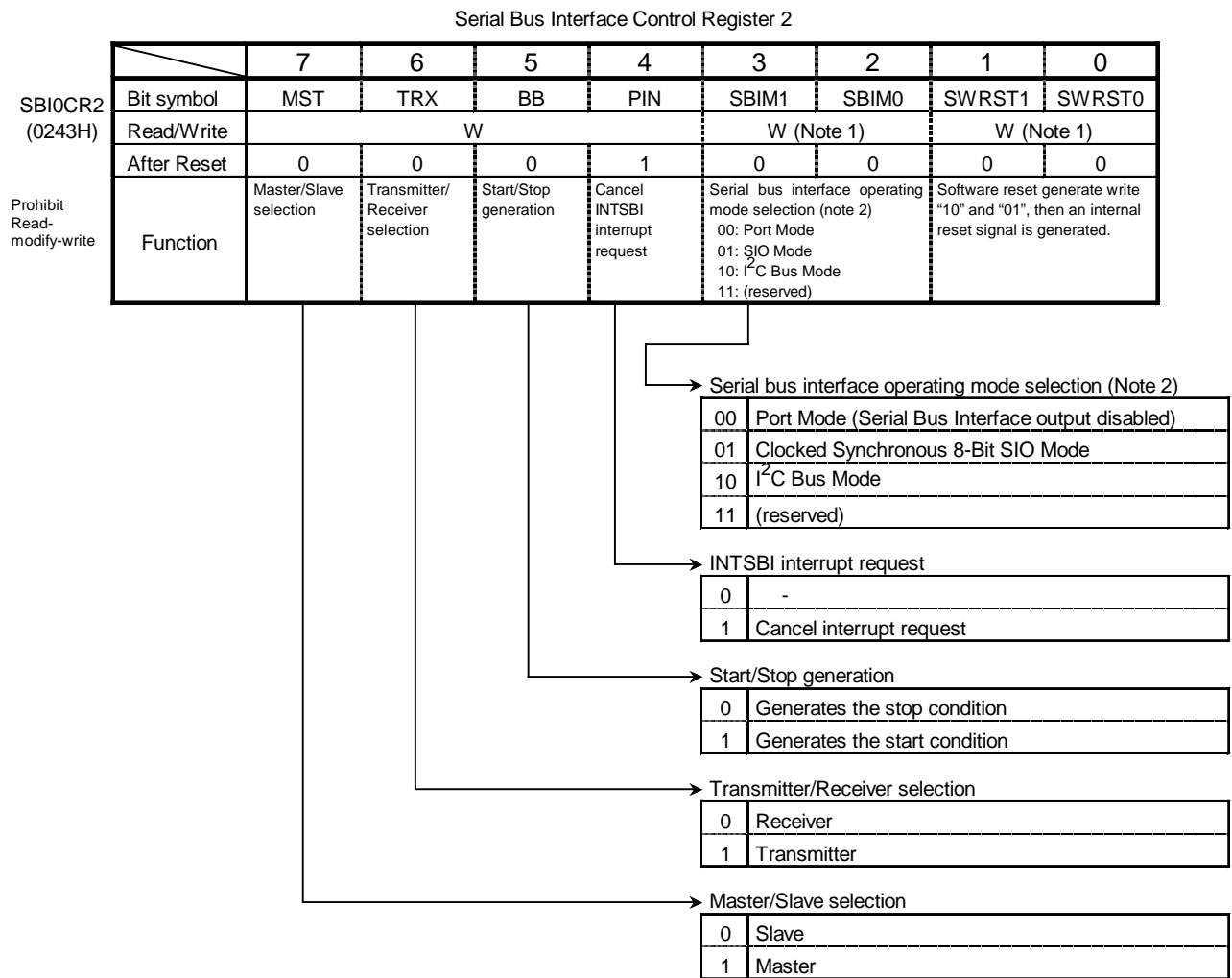
The following registers are used to control and monitor the operation status when using the serial bus interface (SBI) in the I<sup>2</sup>C bus mode.



Note 1: Set the <BC2 to 0> to "000" before switching to a clock-synchronous 8-bit SIO mode.

Note 2: For the frequency of the SCL line clock, see 3.10.5 (3) Serial clock.

Figure 3.10.3 Registers for the I<sup>2</sup>C Bus Mode



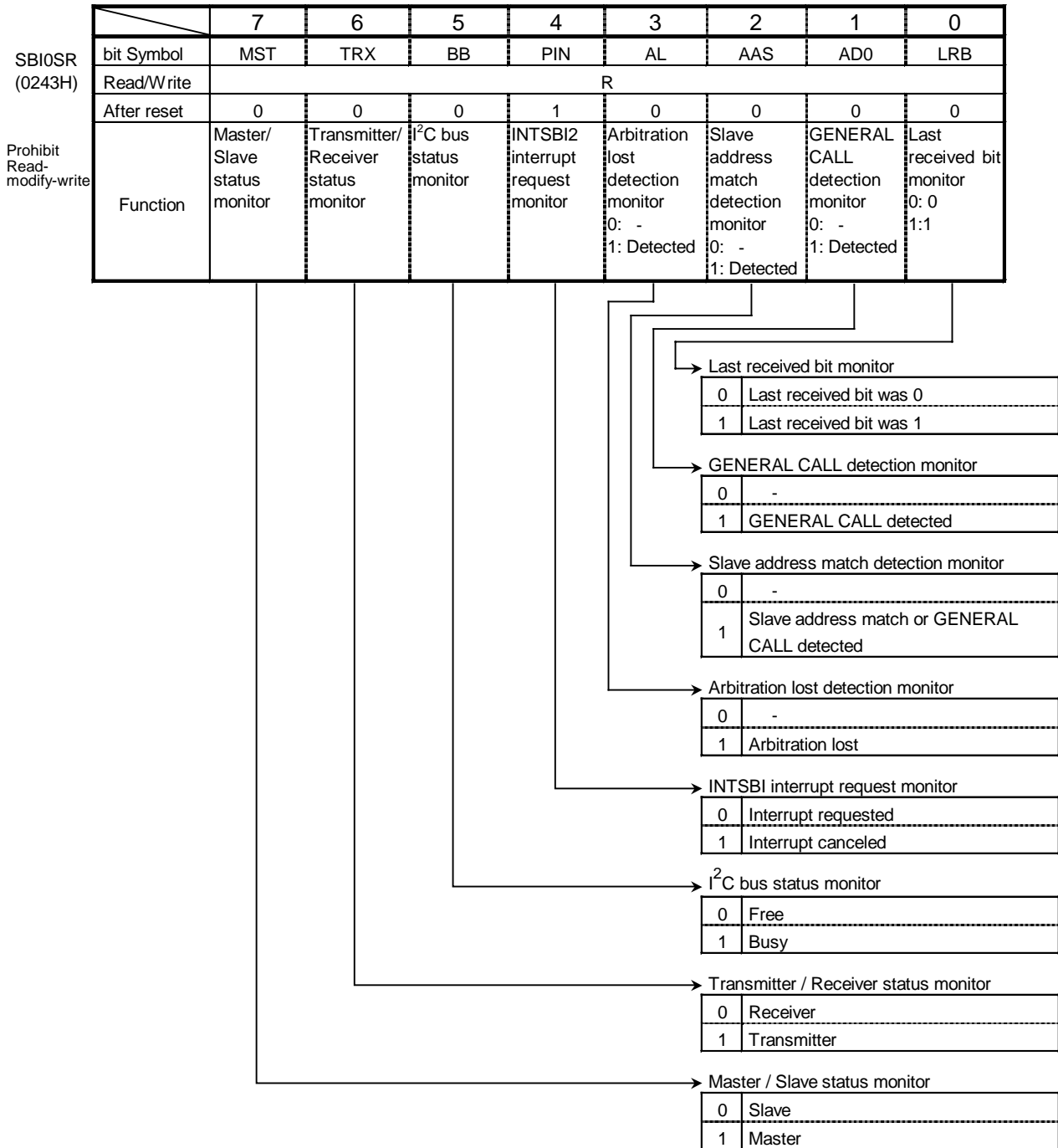
Note1: Reading this register function as SBI0SR register.

Note2: Switch a mode to port mode after confirming that the bus is free.

Switch a mode between I<sup>2</sup>C bus mode and clock-synchronous 8-bit SIO mode after confirming that input signals via port are high-level.

Figure 3.10.4 Registers for the I<sup>2</sup>C Bus Mode

Serial Bus Interface Status Register



Note1: Writing in this register functions as SBI0CR2.

Figure 3.10.5 Registers for the I<sup>2</sup>C Bus Mode

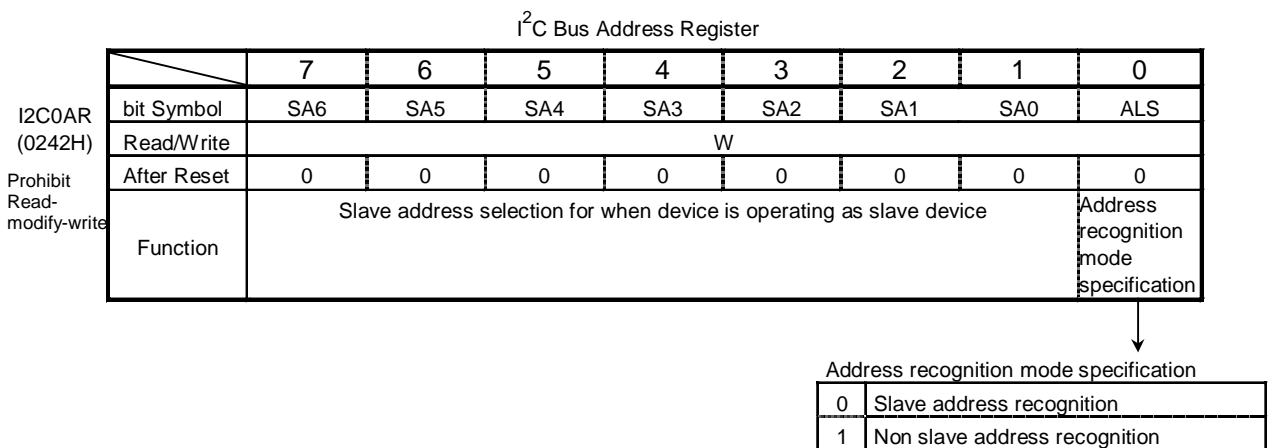
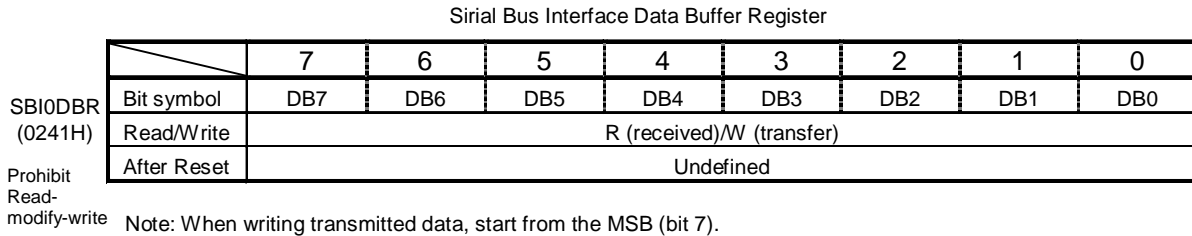
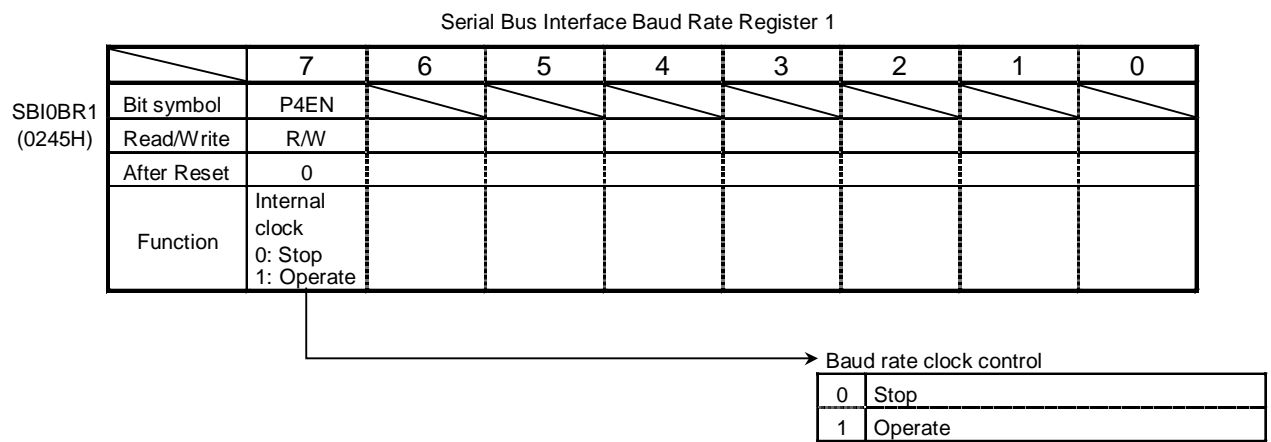
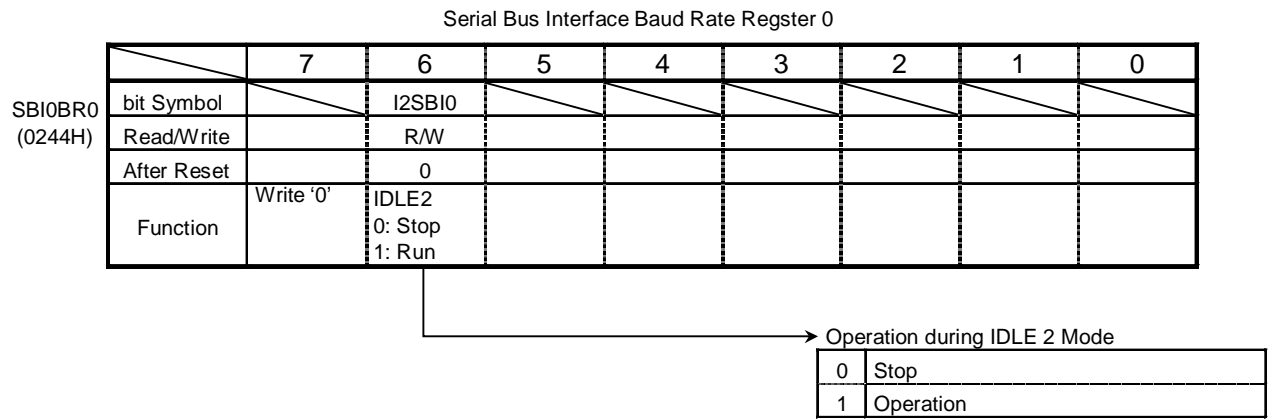


Figure 3.10.6 Registers for the I<sup>2</sup>C Bus Mode

3.10.5 Control in I<sup>2</sup>C Bus Mode

(1) Acknowledge Mode Specification

Set the SBI0CR1<ACK> to 1 for operation in the acknowledge mode. The TMP91C820A generates an additional clock pulse for an Acknowledge signal when operating in Master Mode, it counts a clock pulse for an acknowledge signal when operating in the slave mode. In the transmitter mode during the clock pulse cycle, the SDA pin is released in order to receive the acknowledge signal from the receiver. In the receiver mode during the clock pulse cycle, the SDA pin is set to the Low in order to generate the acknowledge signal.

Clear the <ACK> to 0 for operation in the Non-Acknowledge Mode, The TMP91C820A does not generate a clock pulse for the Acknowledge signal when operating in the Master Mode, and it does not count a clock pulse as an Acknowledge signal when operating in Slave Mode.

(2) Number of transfer bits

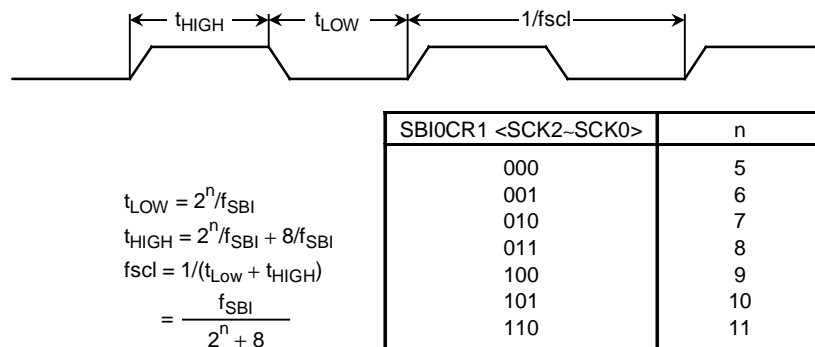
The SBI0CR1<BC2 to BC0> is used to select a number of bits for next transmitting and receiving data.

Since the <BC2 to BC0> is cleared to 000 as a start condition, a slave address and direction bit transmission are executed in 8 bits. Other than these, the <BC2 to 0> retains a specified value.

(3) Serial clock

Clock source

The SBI0CR1 <SCK2 to SCK0> is used to select a maximum transfer frequency outputted on the SCL pin in Master Mode.



$$t_{LOW} = 2^n / f_{SBI}$$

$$t_{HIGH} = 2^n / f_{SBI} + 8 / f_{SBI}$$

$$f_{scl} = 1 / (t_{LOW} + t_{HIGH})$$

$$= \frac{f_{SBI}}{2^n + 8}$$

Note: It's prohibit to use to fc/16 prescaler clock when SBI block use.  
(I2C bus & clock synchronous)

Figure 3.10.7 Clock Source

### Clock synchronization

In the I<sup>2</sup>C bus mode, in order to wired-AND a bus, a master device which pulls down a clock line to low-level, in the first place, invalidate a clock pulse of another master device which generates a high-level clock pulse. The master device with a high-level clock pulse needs to detect the situation and implement the following procedure.

The TMP91C820A has a clock synchronization function for normal data transfer even when more than one master exists on the bus.

The example explains the clock synchronization procedures when two masters simultaneously exist on a bus.

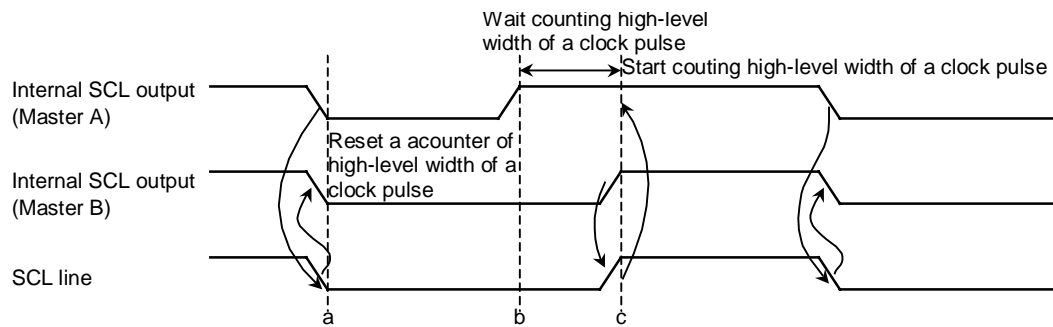


Figure 3.10.8 Clock Synchronization

As Master A pulls down the internal SCL output to the Low level at point “a”, the SCL line of the bus becomes the Low-level. After detecting this situation, Master B resets a counter of High-level width of an own clock pulse and sets the internal SCL output to the Low-level.

Master A finishes counting Low-level width of an own clock pulse at point “b” and sets the internal SCL output to the High-level. Since Master B holds the SCL line of the bus at the Low-level, Master A wait for counting high-level width of an own clock pulse. After Master B finishes counting low-level width of an own clock pulse at point “c” and Master A detects the SCL line of the bus at the High-level, and starts counting High-level of an own clock pulse. The clock pulse on the bus is determined by the master device with the shortest High-level width and the master device with the longest Low-level width from among those master devices connected to the bus.

#### (4) Slave address and address recognition mode specification

When the TMP91C820A is used as a slave device, set the slave address <SA6 to SA0> and <ALS> to the I2C0AR. Clear the <ALS> to “0” for the address recognition mode.

#### (5) Master/Slave selection

Set the SBI0CR2<MST> to “1” for operating the TMP91C820A as a master device. Clear the SBI0CR2<MST> to “0” for operation as a slave device. The <MST> is cleared to “0” by the hardware after a stop condition on the bus is detected or arbitration is lost.

(6) Transmitter/Receiver selection

Set the SBIOCR2<TRX> to “1” for operating the TMP91C820A as a transmitter. Clear the <TRX> to “0” for operation as a receiver. When data with an addressing format is transferred in Slave Mode, when a slave address with the same value that an I2C0AR or a GENERAL CALL is received (all 8-bit data are “0” after a start condition), the <TRX> is set to “1” by the hardware if the direction bit ( $R/\overline{W}$ ) sent from the master device is “1”, and is cleared to “0” by the hardware if the bit is “0”. In the Master Mode, after an Acknowledge signal is returned from the slave device, the <TRX> is cleared to “0” by the hardware if a transmitted direction bit is “1”, and is set to “1” by the hardware if it is “0”. When an Acknowledge signal is not returned, the current condition is maintained. The <TRX> is cleared to “0” by the hardware after a stop condition on the I<sup>2</sup>C bus is detected or arbitration is lost.

(7) Start/Stop condition generation

When the SBIOSR<BB> is “0”, 8-bit data which are set to SBI0DBR are output on a bus after generating a start condition by writing “1” to the SBIOCR2 <MST, TRX, BB, PIN>. It is necessary to set transmitted data to the data buffer register (SBI0DBR) and set “1” to <ACK> beforehand.

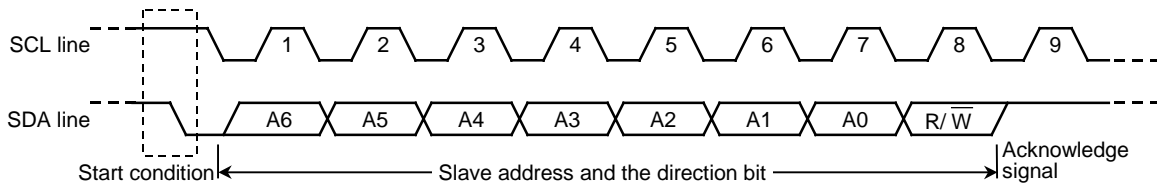


Figure 3.10.9 Start condition generation and slave address generation

When the <BB> is “1”, a sequence of generating a stop condition is started by writing “1” to the <MST, TRX, PIN>, and “0” to the <BB>. Do not modify the contents of <MST, TRX, BB, and PIN> until a stop condition is generated on a bus.

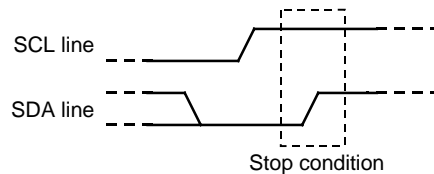


Figure 3.10.10 Stop condition generation

The state of the bus can be ascertained by reading the contents of SBIOSR<BB>. SBIOSR<BB> will be set to 1 if a start condition has been detected on the bus, and will be cleared to 0 if a stop condition has been detected.

And about generation of stop condition in master mode, there are some limitation point. Please refer to “エラー! 参照元が見つかりません。 (4) Stop condition generation “.

## (8) Interrupt service requests and interrupt cancellation

When a serial bus interface interrupt request (INTS2) occurs, the SBI0CR2 <PIN> is cleared to “0”. During the time that the SBI0CR2<PIN> is “0”, the SCL line is pulled down to the Low level. The <PIN> is cleared to “0” when a 1-word of data is transmitted or received. Either writing / reading data to / from SBI0DBR sets the <PIN> to “1”.

The time from the <PIN> being set to “1” until the SCL line is released takes  $t_{LOW}$ .

In the address recognition mode (<ALS> = 0), <PIN> is cleared to “0” when the received slave address is the same as the value set at the I2C0AR or when a GENERAL CALL is received (all 8-bit data are “0” after a start condition). Although SBI0CR2<PIN> can be set to “1” by the program, the <PIN> is not clear it to “0” when it is written “0”.

## (9) Serial bus interface operation mode selection

SBI0CR2<SBIM1 to SBIM0> is used to specify the serial bus interface operation mode. Set SBI0CR2<SBIM1 to SBIM0> to “10” when the device is to be used in I<sup>2</sup>C Bus Mode.

Switch a mode to port after confirming a bus is free.

## (10) Arbitration lost detection monitor

Since more than one master device can exist simultaneously on the bus in I<sup>2</sup>C Bus Mode, a bus arbitration procedure has been implemented in order to guarantee the integrity of transferred data. Data on the SDA line is used for I<sup>2</sup>C bus arbitration.

The following shows an example of a bus arbitration procedure when two master devices exist simultaneously on the bus. Master A and Master B output the same data until point “a”. After Master A outputs “L” and Master B, “H”, the SDA line of the bus is wire-AND and the SDA line is pulled down to the Low-level by Master A. When the SCL line of the bus is pulled up at point b, the slave device reads the data on the SDA line, that is, data in Master A. A data transmitted from Master B becomes invalid. The state in Master B is called “ARBITRATION LOST”. Master B device, which loses arbitration releases the internal SDA output in order not to affect data, transmitted from other masters with arbitration. When more than one master sends the same data at the first word, arbitration occurs continuously after the second word.

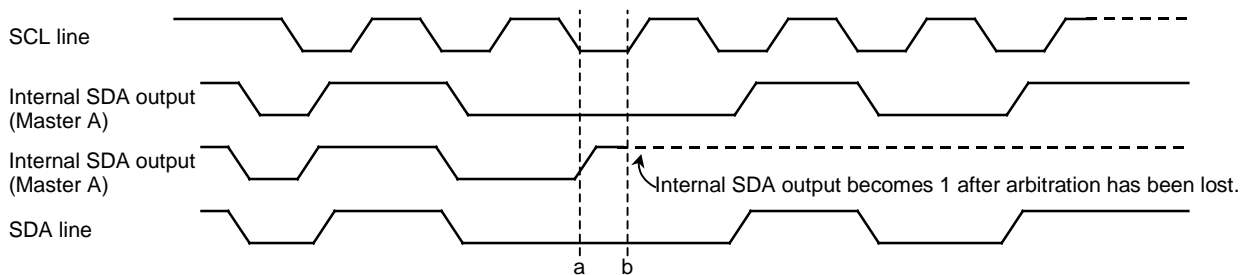


Figure 3.10.11 Arbitration Lost



The TMP91C820A compares the levels on the bus's SDA line with those of the internal SDA output on the rising edge of the SCL line. If the levels do not match, arbitration is lost and SBI0SR<AL> is set to "1".

When SBI0SR<AL> is set to "1", SBI0SR<MST, TRX> are cleared to "00" and the mode is switched to Slave Receiver Mode.

SBI0SR<AL> is cleared to "0" when data is written to or read from SBI0DBR or when data is written to SBI0CR2.

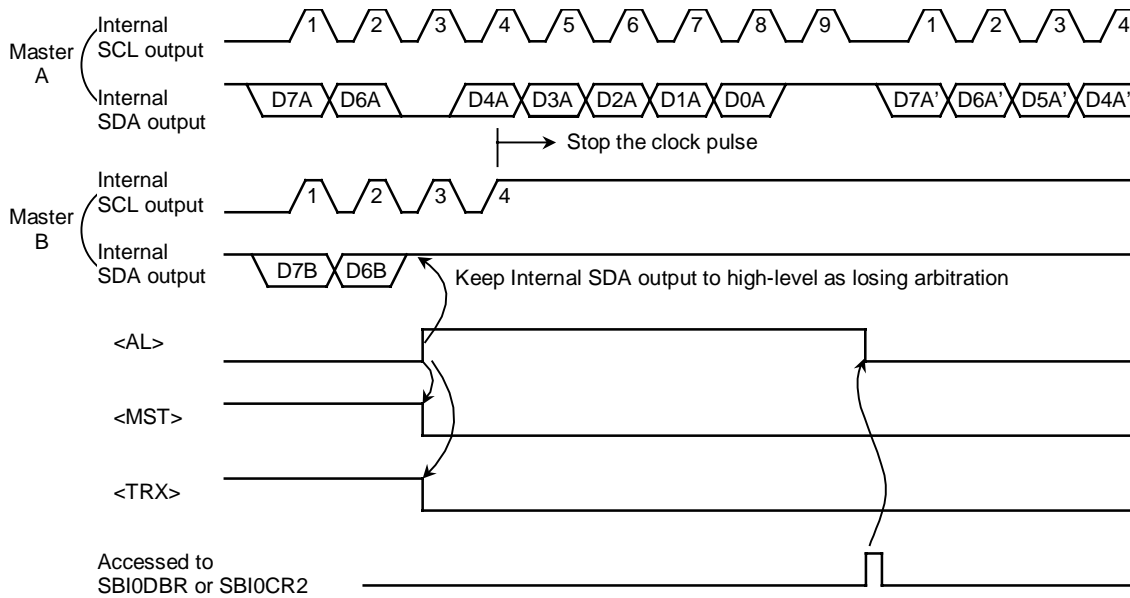


Figure 3.10.12 Example of when TMP91C820A is a Master Device B (D7A = D7B, D6A = D6B)

(11) Slave address match detection monitor

SBI0SR<AAS> is set to "1" in Slave Mode, in Address Recognition Mode (i.e. when I2C0AR<ALS> = "0"), when a GENERAL CALL is received, or when a slave address matches the value set in I2C0AR. When I2C0AR<ALS> = "1", SBI0SR<AAS> is set to "1" after the first word of data has been received. SBI0SR<AAS> is cleared to "0" when data is written to or read from the data buffer register SBI0DBR.

(12) GENERAL CALL detection monitor

SBI0SR<AD0> is set to "1" in Slave Mode, when a GENERAL CALL is received (all 8-bit received data is "0", after a start condition). SBI0SR<AD0> is cleared to "0" when a start condition or stop condition is detected on the bus.

(13) Last received bit monitor

The SDA line value stored at the rising edge of the SCL line is set to the SBI0SR<LRB>. In the acknowledge mode, immediately after an INTS2 interrupt request is generated, an acknowledge signal is read by reading the contents of the SBI0SR<LRB>.

(14) Software Reset function

The software Reset function is used to initialize the SBI circuit, when SBI is rocked by external noises, etc.

An internal Reset signal pulse can be generated by setting SBI0CR2<SWRST1, SWRST0> to "10" and "01". This initializes the SBI circuit internally. All command registers and status registers are initialized as well.

SBI0CR2<SWRST1, SWRST0> is automatically cleared to "00" after the SBI circuit has been initialized.

(15) Serial Bus Interface Data Buffer Register (SBI0DBR)

The received data can be read and transferred data can be written by reading or writing the SBI0DBR.

In the master mode, after the start condition is generated the slave address and the direction bit are set in this register.

(16) I<sup>2</sup>CBUS Address Register (I2C0AR)

I2C0AR<SA6 to SA0> is used to set the slave address when the TMP91C820A functions as a slave device.

The slave address output from the master device is recognized by setting the I2C0AR<ALS> to "0".

The data format is the addressing format. When the slave address is not recognized at the <ALS> = "1", the data format is the free data format.

(17) Baud Rate Register (SBI0BR1)

Write "1" to SBI0BR1<P4EN> before operation commences.

(18) Setting register for IDLE2 mode operation (SBI0BR0)

SBI0BR0<I2SBI0> is the register setting operation/stop during IDLE2-mode. Therefore, setting <I2SBI0> is necessary before the HALT instruction is executed.

### 3.10.6 Data Transfer in I<sup>2</sup>C Bus Mode

#### (1) Device initialization

Set the SBI0BR1<P4EN>, SBI0CR1<ACK, SCK2 to SCK0>, Set SBI0BR1 to “1” and clear bits 7 to 5 and 3 in the SBI0CR1 to “0”.

Set a slave address <SA6 to SA0> and the <ALS> (<ALS> = “0” when an addressing format) to the I2COAR.

For specifying the default setting to a slave receiver mode, clear “0” to the <MST, TRX, BB> and set “1” to the <PIN>, “10” to the <SBIM1 to SBIM 0>.

#### (2) Start condition and slave address generation

##### Master Mode

In the Master Mode, the start condition and the slave address are generated as follows.

Check a bus free status (when <BB>= “0”).

Set the SBI0CR1<ACK> to “1” (Acknowledge Mode) and specify a slave address and a direction bit to be transmitted to the SBI0DBR.

When SBI0CR2<BB> = “0”, the start condition are generated by writing “1111” to SBI0CR2<MST, TRX, BB, PIN>. Subsequently to the start condition, nine clocks are output from the SCL pin. While eight clocks are output, the slave address and the direction bit which are set to the SBI0DBR. At the 9th clock, the SDA line is released and the acknowledge signal is received from the slave device.

An INTS2 interrupt request occurs at the falling edge of the 9th clock. The <PIN> is cleared to “0”. In the Master Mode, the SCL pin is pulled down to the Low-level while <PIN> is “0”. When an interrupt request occurs, the <TRX> is changed according to the direction bit only when an acknowledge signal is returned from the slave device.

##### Slave Mode

In the Slave Mode, the start condition and the slave address are received.

After the start condition is received from the master device, while eight clocks are output from the SCL pin, the slave address and the direction bit which are output from the master device are received.

When a GENERAL CALL or the same address as the slave address set in I2COAR is received, the SDA line is pulled down to the Low-level at the 9th clock, and the acknowledge signal is output.

An INTS2 interrupt request occurs on the falling edge of the 9th clock. The <PIN> is cleared to “0”. In Slave Mode the SCL line is pulled down to the Low-level while the <PIN> = “0”.

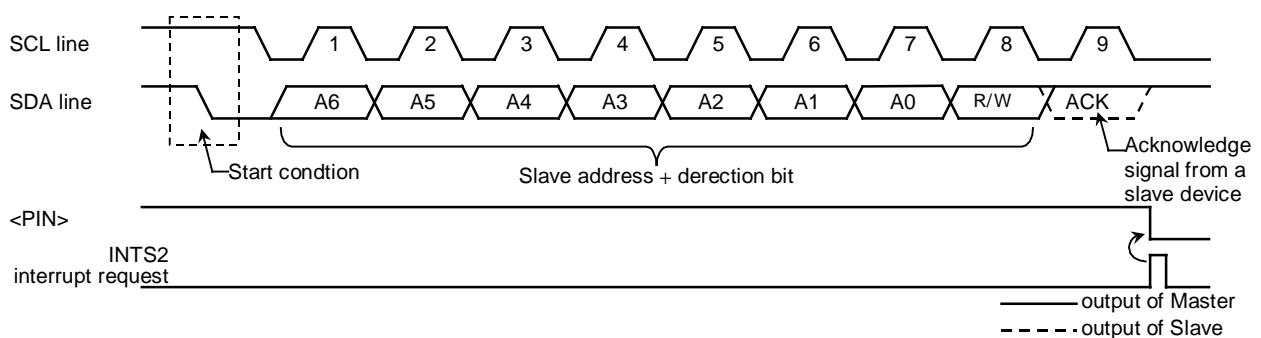


Figure 3.10.13 Start Condition Generation and Slave Address Transfer

## (3) 1-word Data Transfer

Check the <MST> by the INTS2 interrupt process after the 1-word data transfer is completed, and determine whether the mode is a master or slave.

## ① If &lt;MST&gt; = "1" (Master Mode)

Check the <TRX> and determine whether the mode is a transmitter or receiver.

When the <TRX> = "1" (Transmitter mode)

Check the <LRB>. When <LRB> is "1", a receiver does not request data. Implement the process to generate a stop condition (Refer to 3.10.6 (4)) and terminate data transfer.

When the <LRB> is "0", the receiver requests new data. When the next transmitted data is 8 bits, write the transmitted data to SBI0DBR. When the next transmitted data is other than 8 bits, set the <BC2 to BC0>, set the <ACK> to "1" and write the transmitted data to SBI0DBR. After written the data, <PIN> becomes "1", a serial clock pulse is generated for transferring a new 1-word of data from the SCL pin, and then the 1-word data is transmitted. After the data is transmitted, an INTS2 interrupt request occurs. The <PIN> becomes "0" and the SCL line is pulled down to the Low-level. If the data to be transferred is more than one word in length, repeat the procedure from the <LRB> checking above.

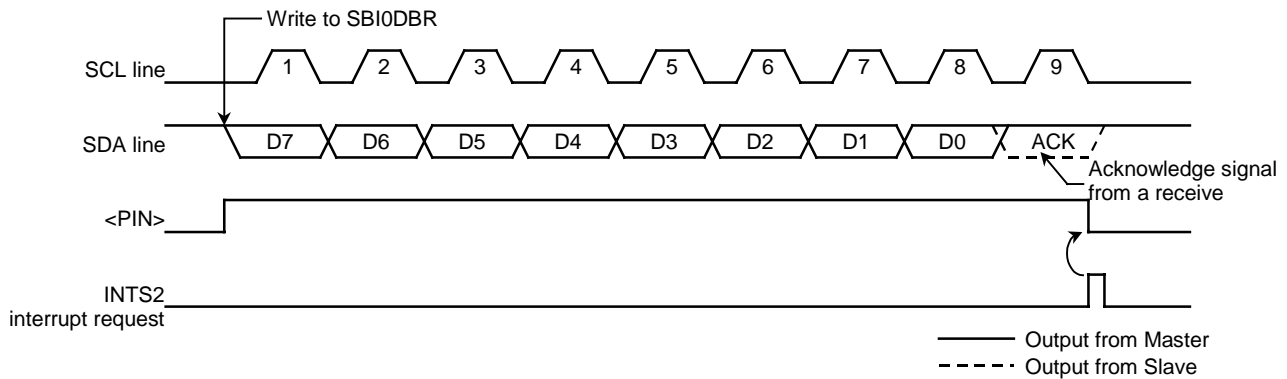


Figure 3.10.14 Example in which <BC2 to BC0> = "000" and <ACK> = "1" in Transmitter Mode

When the <TRX> is "0" (Receiver mode)

When the next transmitted data is 8 bits, write the transmitted data to SBI0DBR. When the next transmitted data is other than 8 bits, set <BC2 to BC0> again. Set <ACK> to "1" and read the received data from SBI0DBR to release the SCL line (data which is read immediately after a slave address is sent is undefined). After the data is read, <PIN> becomes "1". The TMP91C820A outputs a serial clock pulse to the SCL to transfer new 1-word of data and sets the SDA pin to "0", When the acknowledge signal is set to Low-level at the final bit.

An INTS2 interrupt request then occurs and the <PIN> becomes "0", Then the TMP91C820A pulls down the SCL pin to the Low-level. The TMP91C820A outputs a clock pulse for 1-word of data transfer and the acknowledge signal each time that received data is read from the SBI0DBR.

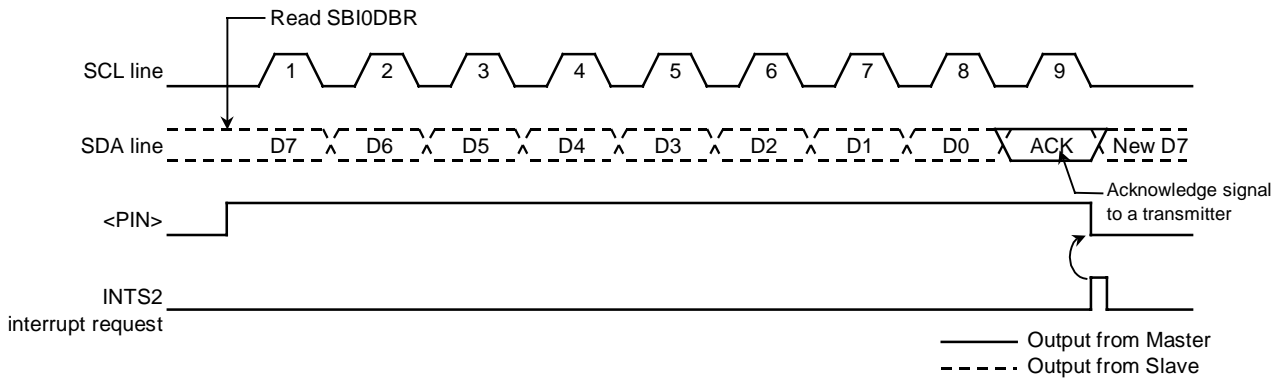


Figure 3.10.15 Example of when <BC2 to 0> = "000", <ACK> = "1" in Receiver Mode

In order to terminate the transmission of data to a transmitter, clear <ACK> to "0" before reading data which is 1-word before the last data to be received. The last data word does not generate a clock pulse as the Acknowledge signal. After the data has been transmitted and an interrupt request has been generated, set <BC2 to BC0> to "001" and read the data. The TMP91C820A generates a clock pulse for a 1-bit data transfer. Since the master device is a receiver, the SDA line on the bus remains High. The transmitter interprets the High signal as an ACK signal. The receiver indicates to the transmitter that data transfer is complete.

After the one data bit has been received and an interrupt request been generated, the TMP91C820A generates a stop condition (see Section 3.10.6 (4)) and terminates data transfer.

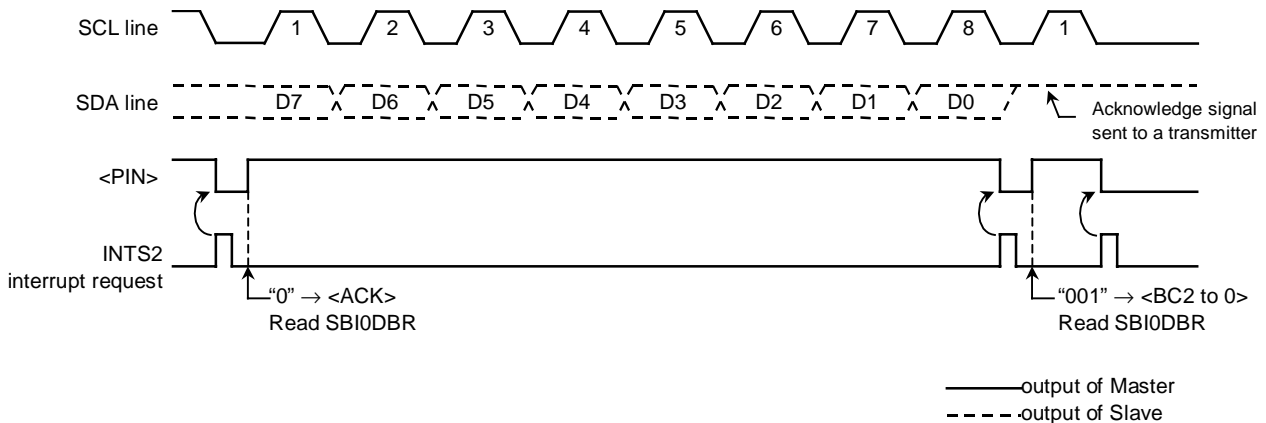


Figure 3.10.16 Termination of data Transfer in Master Receiver Mode

## ② If &lt;MST&gt; = 0 (Slave Mode)

In the slave mode, an INTS2 interrupt request occurs when the TMP91C820A receives a slave address or a GENERAL CALL from the master device, or when a GENERAL CALL is received and data transfer is complete, or after matching received address. In the master mode, the TMP91C820A operates in a slave mode if it losing arbitration. An INTS2 interrupt request occurs when a word data transfer terminates after losing arbitration. When an INTS2 interrupt request occurs the <PIN> is cleared to “0” and the SCL pin is pulled down to the Low-level. Either reading / writing from / to the SBI0DBR or setting the <PIN> to “1” will release the SCL pin after taking  $t_{LOW}$  time.

In the slave mode the TMP91C820A operates either in normal slave mode or in slave mode after losing arbitration.

Check the SBI0SR<AL>, <TRX>, <AAS>, and <AD0> and implements processes according to conditions listed in the next table.

Table 3.10.1 Operation in the Slave Mode

<TRX>	<AL>	<AAS>	<AD0>	Conditions	Process
1	1	1	0	The TMP91C820A loses arbitration when transmitting a slave address and receives a slave address for which the value of the direction bit sent from another master is “1”.	Set the number of bits a word in <BC2 to BC0> and write the transmitted data to SBI0DBR
	0	1	0	In Slave Receiver Mode the TMP91C820A receives a slave address for which the value of the direction bit sent from the master is “1”.	
	0	0	0	In Slave Transmitter Mode a single word of is transmitted. Set <BC2 to BC0> to the number of bits in a word.	Check the <LRB> setting. If <LRB> is set to “1”, set <PIN> to “1” since the receiver win no request the data which follows. Then, cleat <TRX> to “0” to release the bus. If <LRB> is cleared to “0” of and write the transmitted data to SBI0DBR since the receiver requests next data.
0	1	1	1/0	The TMP91C820A loses arbitration when transmitting a slave address and receives a slave address or GENERAL CALL for which the value of the direction bit sent from another master is “0”.	Read the SBI0DBR for setting the <PIN> to “1” (reading dummy data) or set the <PIN> to “1”.
		0	0	The TMP91C820A loses arbitration when transmitting a slave address or data and terminates word data transfer.	
	0	1	1/0	In Slave Receiver Mode the TMP91C820A receives a slave address or GENERAL CALL for which the value of the direction bit sent from the master is “0”.	Set <BC2 to BC0> to the number of bits in a word and read the received data from SBI0DBR.
		0	1/0	In Slave Receiver Mode the TMP91C820A terminates receiving word data.	

## (4) Stop condition generation

When  $SBI0SR<BB> = 1$ , the sequence for generating a stop condition can be initiated by writing "1" to  $SBI0CR2<MST,TRX,PIN>$  and "0" to  $SBI0CR2<BB>$ . Do not modify the contents of  $SBI0CR2<MST,TRX,PIN,BB>$  until a stop condition has been generated on the bus. When the bus's SCL line has been pulled Low by another device, the TMP91C820A generates a stop condition after the other device has released the SCL line and SDA rises.

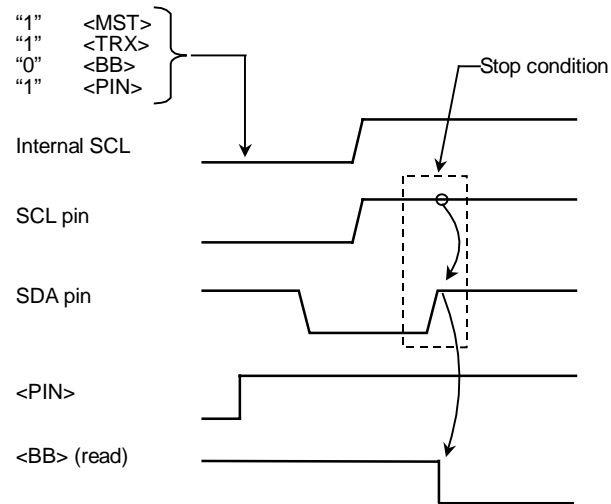


Figure 3.10.17 Stop condition generation ( Single-master)

## (5) Restart

Restart is used during data transfer between a master device and a slave device to change the data transfer direction. The following description explains how to restart when the TMP91CW12 is in Master Mode.

Clear SBI0CR2<MST,TRX,BB> to 0 and set SBI0CR2<PIN> to 1 to release the bus. The SDA line remains High and the SCL pin is released. Since a stop condition has not been generated on the bus, other devices assume the bus to be in Busy state. Monitor the value of SBI0SR<BB> until it becomes 0 so as to ascertain when the TMP91CW12's SCL pin is released. Check the <LRB> until it becomes 1 to check that the SCL line on a bus is not pulled down to the low-level by other devices. After confirming that the bus remains in a free state, generate a start condition using the procedure described in 3.10.6 (2).

In order to satisfy the set-up time requirements when restarting, take at least 4.7  $\mu$ s of waiting time by software from the time of restarting to confirm that the bus is free until the time to generate the start condition.

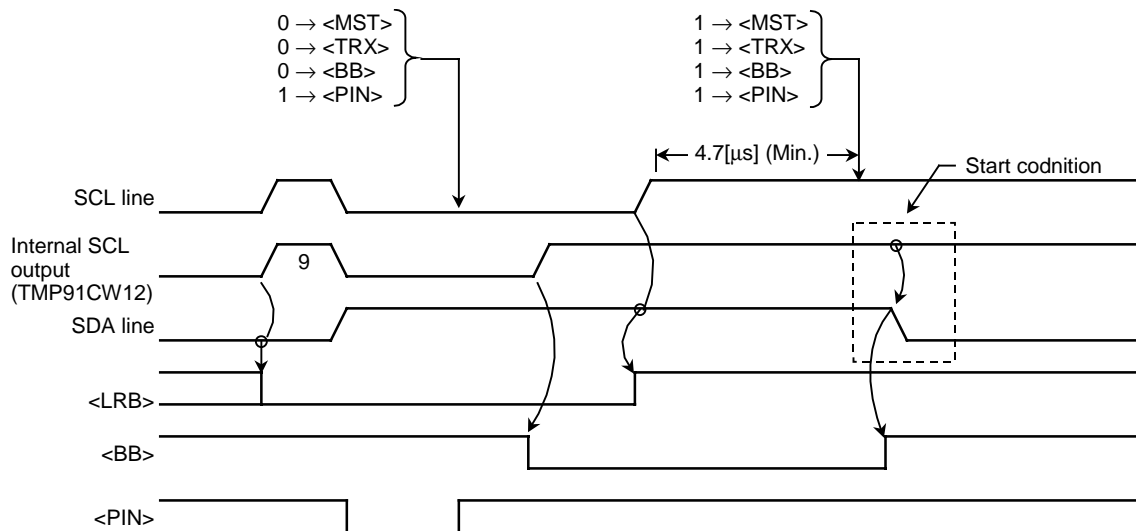
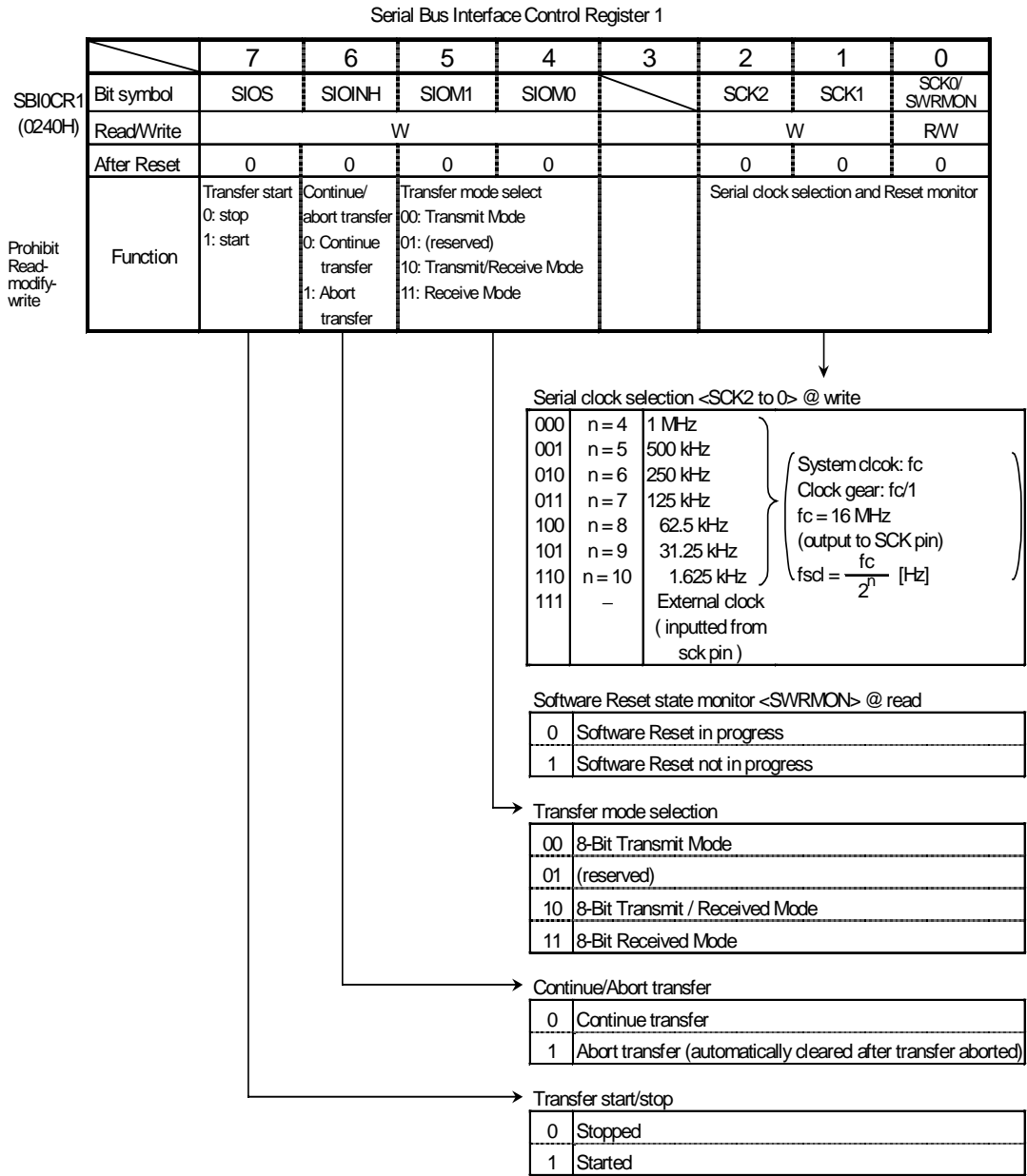


Figure 3.10.18 Timing diagram for TMP91C820A Restart

### 3.10.7 Clocked Synchronous 8-Bit SIO Mode control

The following registers are used to control and monitor the operation status when the Serial Bus Interface (SBI) is being operated in Clocked Synchronous 8-Bit SIO Mode.





Note: Set the transfer mode and the serial clock after setting <SIOS> to "0" and <SIOINH> to "1".

Serial Bus interface Data Buffer Register

		7	6	5	4	3	2	1	0
SBI0DBR (0241H)	Bit symbol	DB7	DB6	DB5	DB4	DB3	DB2	DB1	DB0
	Read/Write	R (receiver) / W (transfer)							
	After Reset	Undefined							

Figure 3.10.19 Register for the SIO Mode

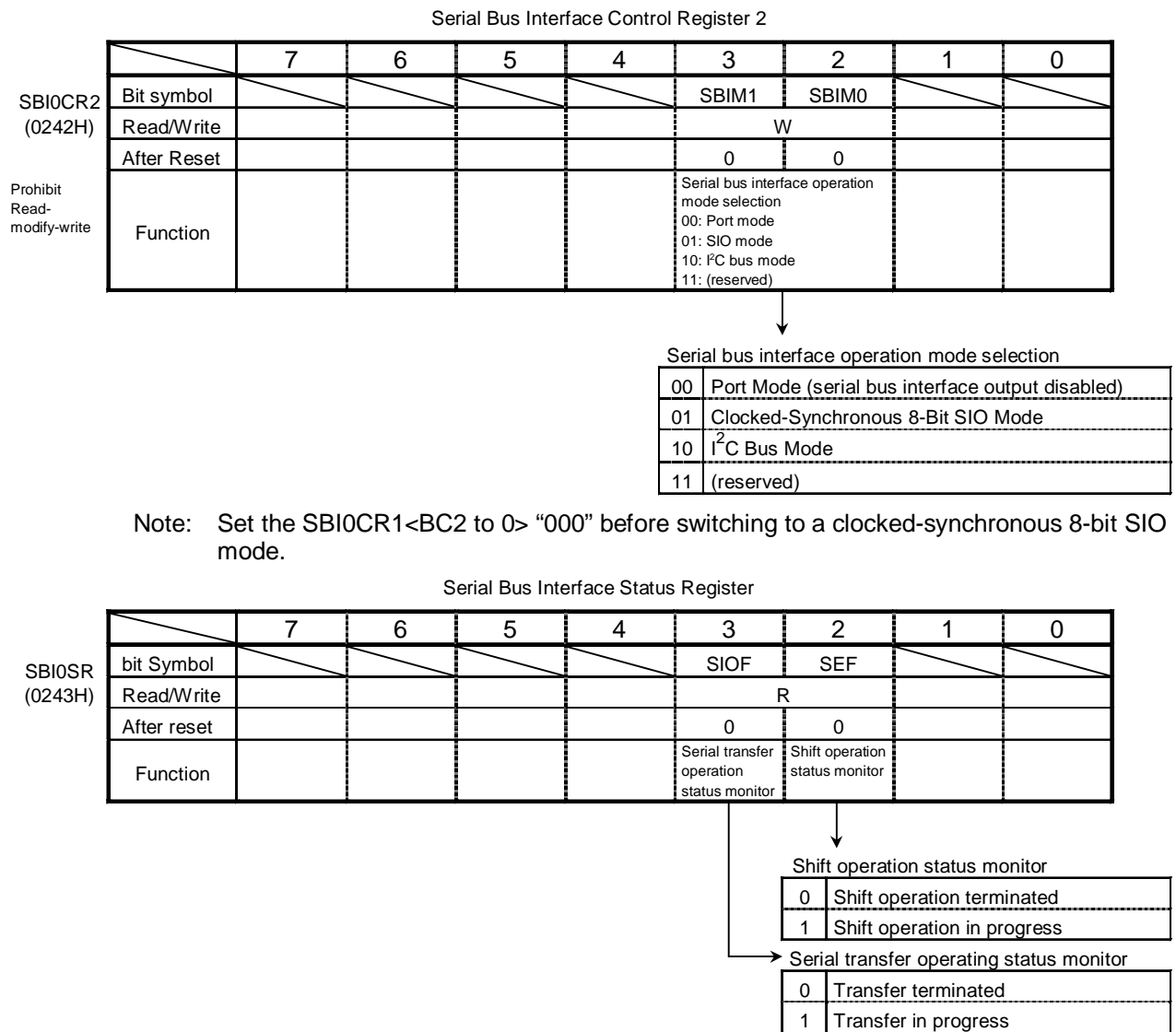


Figure 3.10.20 Registers for the SIO Mode

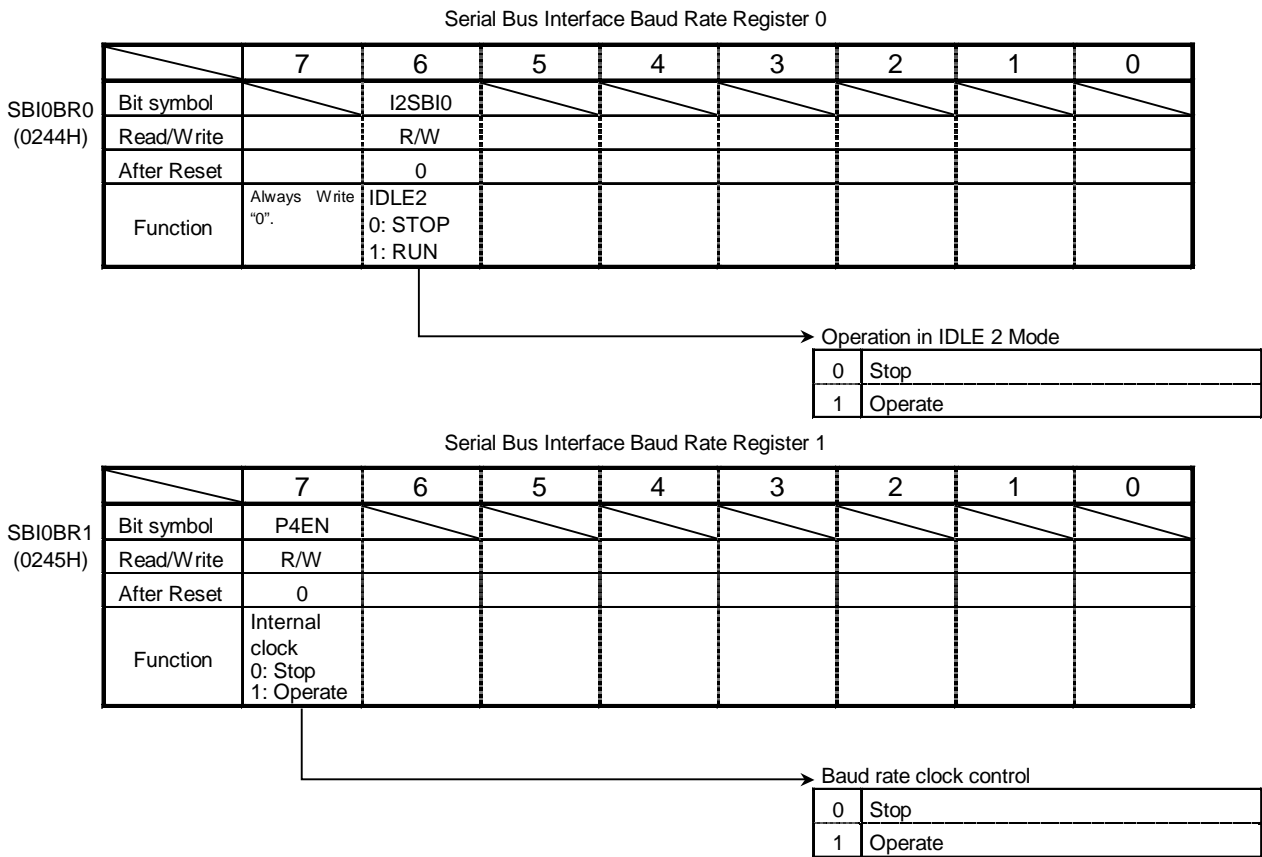


Figure 3.10.21 Registers for the SIO Mode

- (1) Serial Clock
- ① Clock source

SBI0CR1<SCK2 to SCK0> is used to select the following functions:

Internal Clock

In Internal Clock Mode one of seven frequencies can be selected. The serial clock signal is output to the outside on the SCK pin. The SCK pin goes high when data transfer starts. When the device is writing (in Transmit Mode) or reading (in Receive Mode), data cannot follow the serial clock rate, so an automatic wait function is executed which automatically stops the serial clock and holds the next shift operation until reading or writing has been completed.

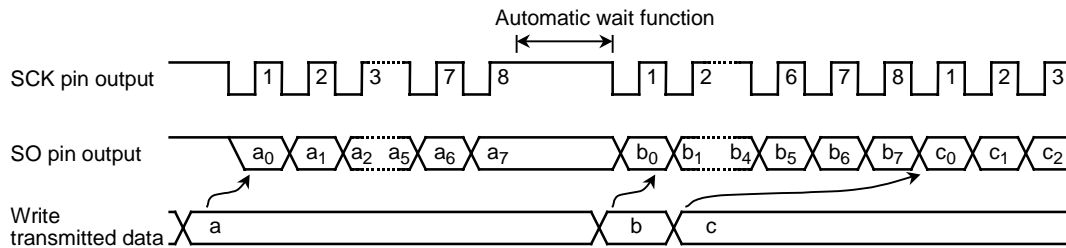


Figure 3.10.22 Automatic-wait Function

External clock (<SCK2 to SCK0> = “111”)

An external clock input via the SCK pin is used as the serial clock. In order to ensure the integrity of shift operations, both the high and Low-level serial clock pulse widths shown below must be maintained. The maximum data transfer frequency is 1 MHz (when  $f_c = 16$  MHz).

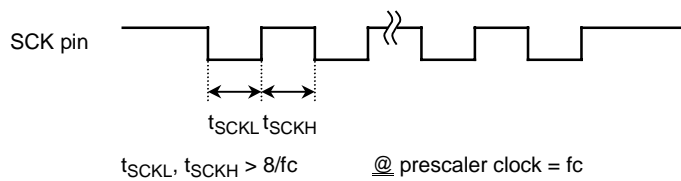


Figure 3.10.23 Maximum data transfer frequency when external clock input used

② Shift edge

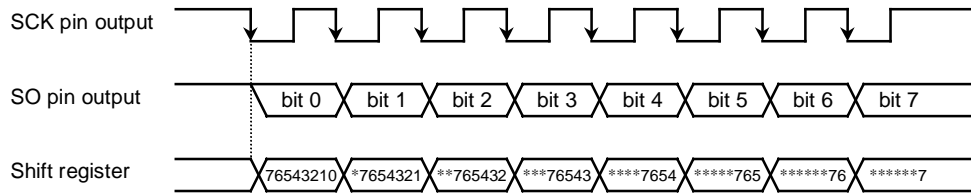
Data is transmitted on the leading edge of the clock and received on the trailing edge.

Leading edge shift

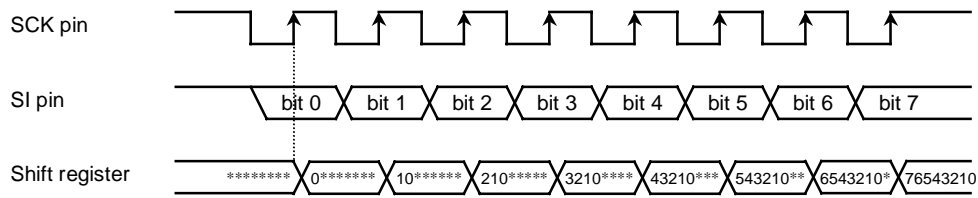
Data is shifted on the leading edge of the serial clock (on the falling edge of the SCK pin input/output).

Trailing edge shift

Data is shifted on the trailing edge of the serial clock (on the rising edge of the SCK pin input/output).



(a) Leading edge



(b) Trailing edge

Note: \* = Don't care

Figure 3.10.24 Shift edge

## (2) Transfer modes

The SBIOCR1<SIOM1 to SIOM0> is used to select a transmit, receive or transmit / receive mode.

## ① 8-Bit Transmit Mode

Set a control register to a transmit mode and write transmit data to the SBIODBR.

After the transmit data is written, set the SBIOCR1<SIOS> to “1” to start data transfer. The transmitted data is transferred from SBIODBR to the Shift Register and output to the SO pin in synchronized with the serial clock, starting from the least significant bit (LSB). When the transmission data is transferred to the Shift Register, the SBIODBR becomes empty. An INTS2 (buffer empty) interrupt request is generated to request new data.

When the internal clock is used, the serial clock will stop and automatic-wait function will be initiated if new data is not loaded to the data buffer register after the specified 8-bit data is transmitted. When new transmit data is written, automatic-wait function is canceled.

When the external clock is used, data should be written to SBIODBR before new data is shifted. The transfer speed is determined by the maximum delay time between the time when an interrupt request is generated and the time when data is written to SBIODBR by the interrupt service program.

When the transmit is started, after the SBIOSR<SIOF> goes “1” output from the SO pin holds final bit of the last data until falling edge of the SCK.

Transmitting data is ended by clearing the <SIOS> to “0” by the buffer empty interrupt service program or setting the <SIOINH> to “1”. When the <SIOS> is cleared, the transmitted mode ends when all data is output. In order to confirm if data is surely transmitted by the program, set the <SIOF> (bit 3 of SBIOSR) to be sensed. The SBIOSR<SIOF> is cleared to “0” when transmitting is complete. When the <SIOINH> is set to “1”, transmitting data stops. SBIOSR<SIOF> turns “0”.

When an external clock is used, it is also necessary to clear SBIOSR<SIOS> to “0” before new data is shifted; otherwise, dummy data is transmitted and operation ends.

Example: Program to stop data transmission (when an external clock is used)

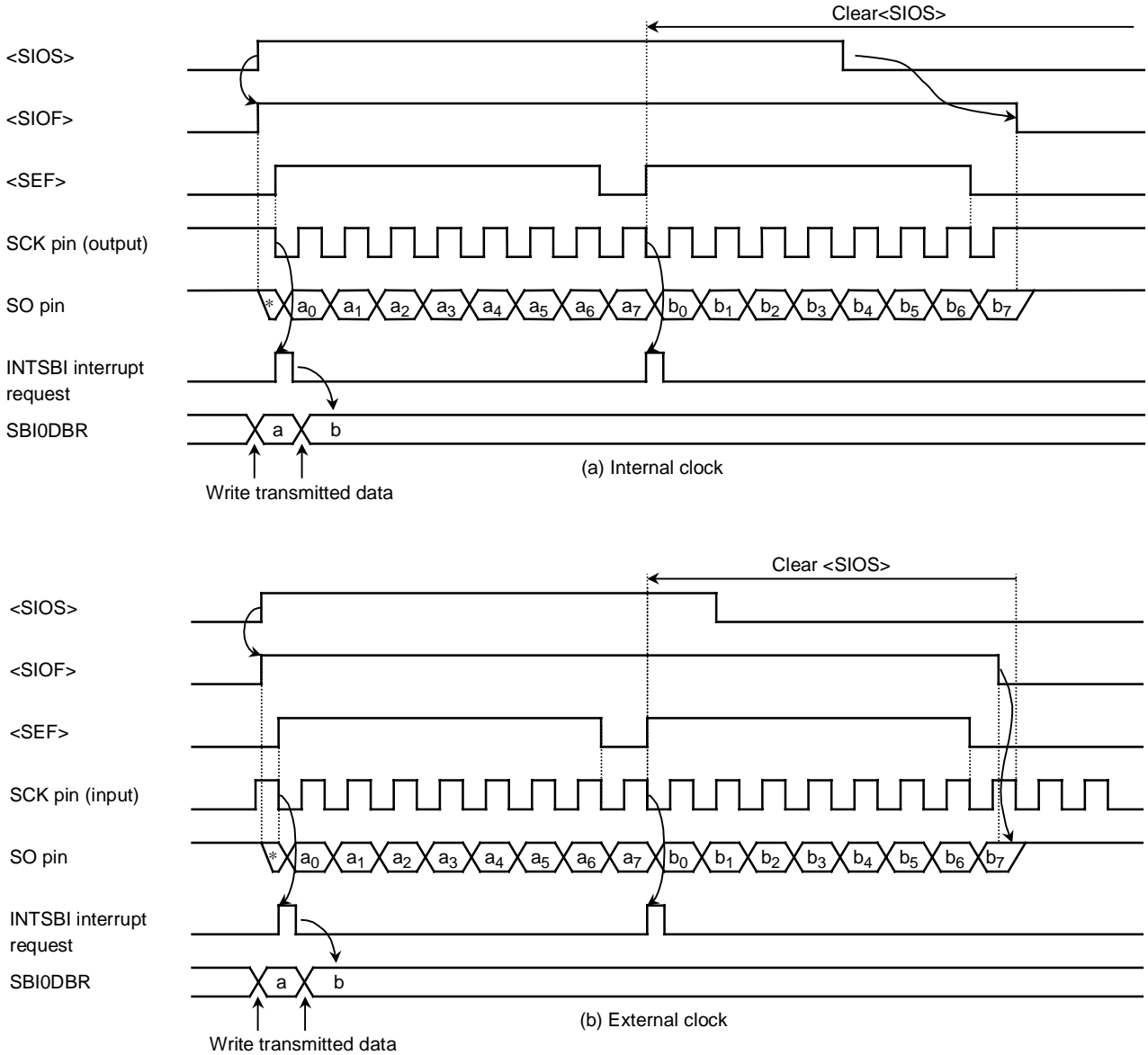


Figure 3.10.25 Transfer Mode

```

STEST1: BIT    SEF, (SBI0SR)      ; If <SEF> = 1 then loop
        JR NZ, STEST1
STEST2: BIT    0, (P7)           ; If SCK = 0 then loop
        JR Z, STEST2
        LD    (SBI0CR1), 00000111B ; <SIOS> ← 0
    
```

## ② 8-Bit Receive Mode

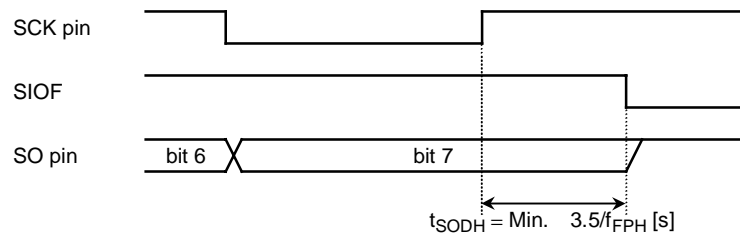


Figure 3.10.26 Transmitted data hold time at end of transmission

Set the control register to receive mode and set  $SBI0CR1\langle SIOS \rangle$  to “1” for switching to receive mode. Data is received into the Shift Register via the SI pin and synchronized with the serial clock, starting from the least significant bit (LSB). When 8-bit data is received, the data is transferred from the Shift Register to  $SBI0DBR$ . An  $INTS2$  (buffer full) interrupt request is generated to request that the received data be read. The data is then read from  $SBI0DBR$  by the interrupt service program. When an internal clock is used, the serial clock will stop and the automatic wait function will be in effect until the received data has been read from  $SBI0DBR$ .

When an external clock is used, since shift operation is synchronized with an external clock pulse, the received data should be read from  $SBI0DBR$  before the next serial clock pulse is input. If the received data is not read, any further data, which is to be received, is canceled. The maximum transfer speed when an external clock is used is determined by the delay time between the time when an interrupt request is generated and the time when the received data is read.

Receiving of data ends when  $\langle SIOS \rangle$  is cleared to “0” by the buffer full interrupt service program or when  $\langle SIOINH \rangle$  is set to “1”. If  $\langle SIOS \rangle$  is cleared to “0”, received data is transferred to  $SBI0DBR$  in complete blocks. The received mode ends when the transfer is complete. In order to confirm whether data is being received properly by the program, set  $SBI0SR\langle SIOF \rangle$  to be sensed.  $\langle SIOF \rangle$  is cleared to “0” when receiving has been completed. When it is confirmed that receiving has been completed, the last data is read. When  $\langle SIOINH \rangle$  is set to “1”, data receiving stops.  $\langle SIOF \rangle$  is cleared to “0” (the received data becomes invalid, therefore no need to read it).

Note: When the transfer mode is changed, the contents of  $SBI0DBR$  will be lost. If the mode must be changed, conclude data receiving by clearing  $\langle SIOS \rangle$  to “0”, read the last data, then change the mode.



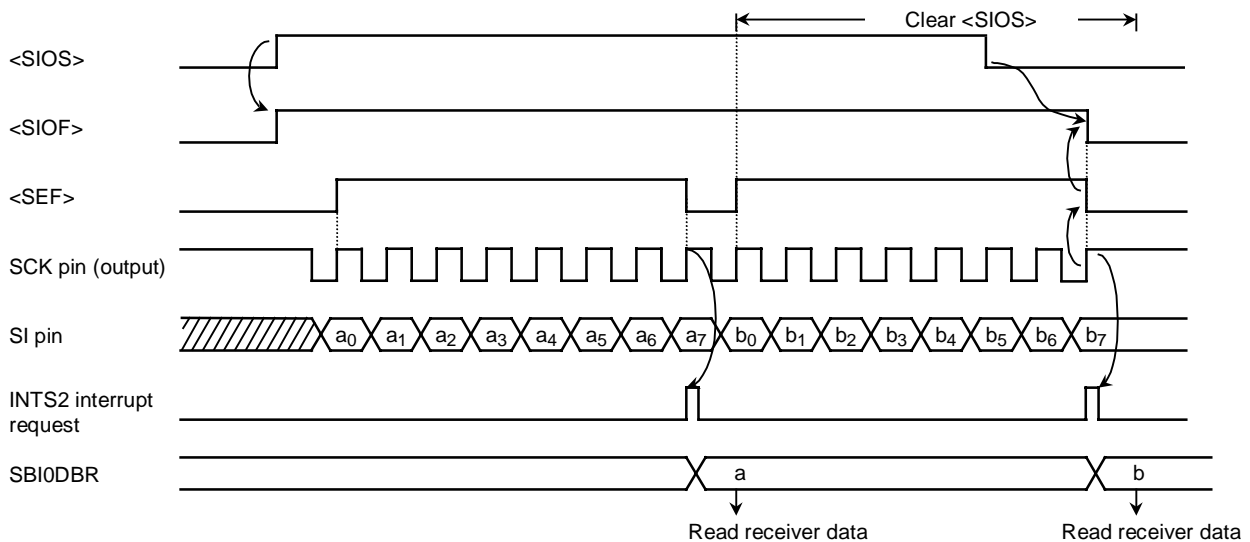


Figure 3.10.27 Receiver Mode (example: Internal clock)

③ 8-Bit Transmit/Receive Mode

Set a control register to a transmit/receive mode and write data to SBIODBR. After the data has been written, set SBIOCR<SIOS> to “1” to start transmitting/receiving. When data is transmitted, the data is output via the SO pin, starting from the least significant bit (LSB) and synchronized with the leading edge of the serial clock signal. When data is received, the data is input via the SI pin on the trailing edge of the serial clock signal. 8-bit data is transferred from the Shift Register to SBIODBR and an INTS2 interrupt request is generated. The interrupt service program reads the received data from the data buffer register and writes the data which is to be transmitted. SBIODBR is used for both transmitting and receiving. Transmitted data should always be written after received data has been read.

When an internal clock is used, the automatic wait function will be in effect until the received data has been read and the next data has been written.

When an external clock is used, since the shift operation is synchronized with the external clock, received data is read and transmitted data is written before a new shift operation is executed. The maximum transfer speed when an external clock is used is determined by the delay time between the time when an interrupt request is generated and the time at which received data is read and transmitted data is written.

When the transmit is started, after the SBIOSR<SIOF> goes “1” output from the SO pin holds final bit of the last data until falling edge of the SCK.

Transmitting/receiving data ends when <SIOS> is cleared to “0” by the INTS2 interrupt service program or when SBIOCR1<SIOINH> is set to “1”. When <SIOS> is cleared to “0”, received data is transferred to SBIODBR in complete blocks. The transmit/receive mode ends when the transfer is complete. In order to confirm whether data is being transmitted/received properly by the program; set SBIOSR to be sensed. <SIOF> is set to “0” when transmitting/receiving has been completed. When <SIOINH> is set to 1, data transmitting/receiving stops. <SIOF> is then cleared to 0.

Note: When the transfer mode is changed, the contents of SBIODBR will be lost. If the mode must be changed, conclude data transmitting/receiving by clearing <SIOS> to “0”, read the last data, then change the transfer mode.

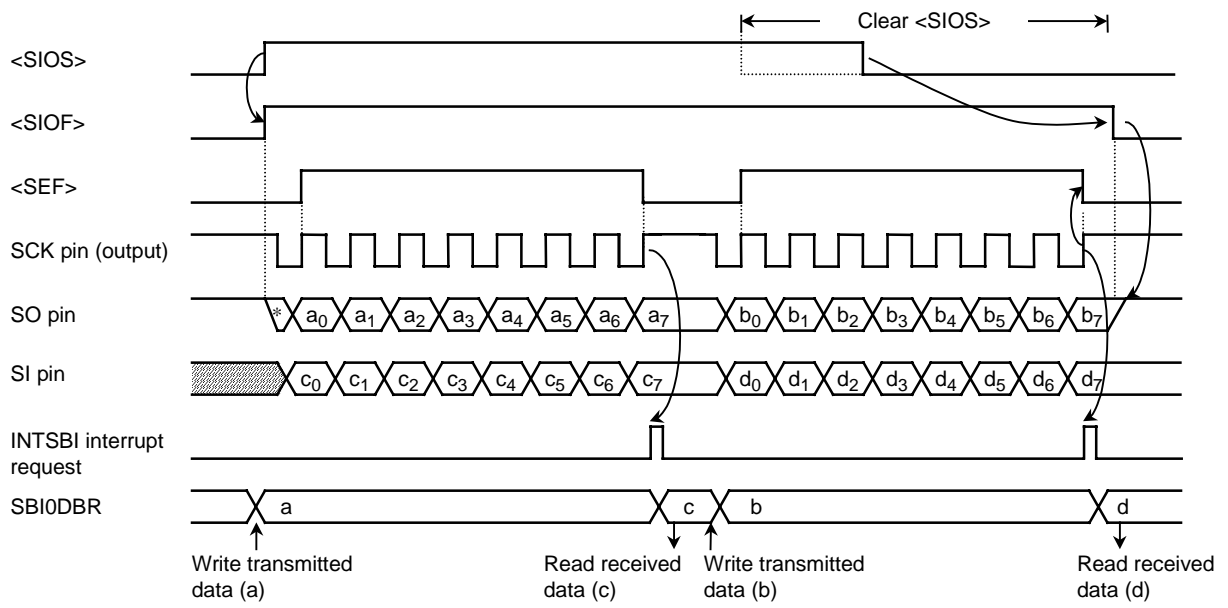


Figure 3.10.28 Transmit/Received Mode (example using internal clock)

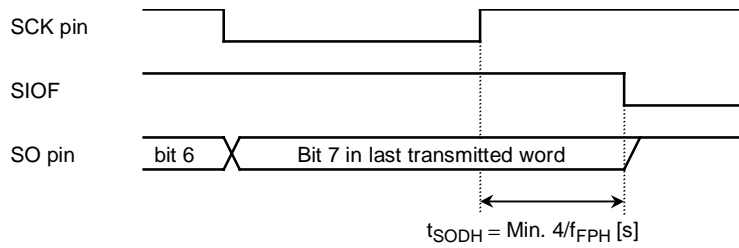


Figure 3.10.29 Transmitted data hold time at end of transmit/receive

### 3.11 Analog/Digital Converter

The TMP91C820A incorporates a 10-bit successive approximation-type analog/digital converter (A/D converter) with 8-channel analog input.

Figure 3.11.1 is a block diagram of the A/D converter. The 8-channel analog input pins (AN0 to AN7) are shared with the input-only port 8 and can thus be used as an input port.

Note: When IDLE2, IDLE1 or STOP Mode is selected, so as to reduce the power, with some timings the system may enter a standby mode even though the internal comparator is still enabled. Therefore be sure to check that A/D converter operations are halted before a HALT instruction is executed.

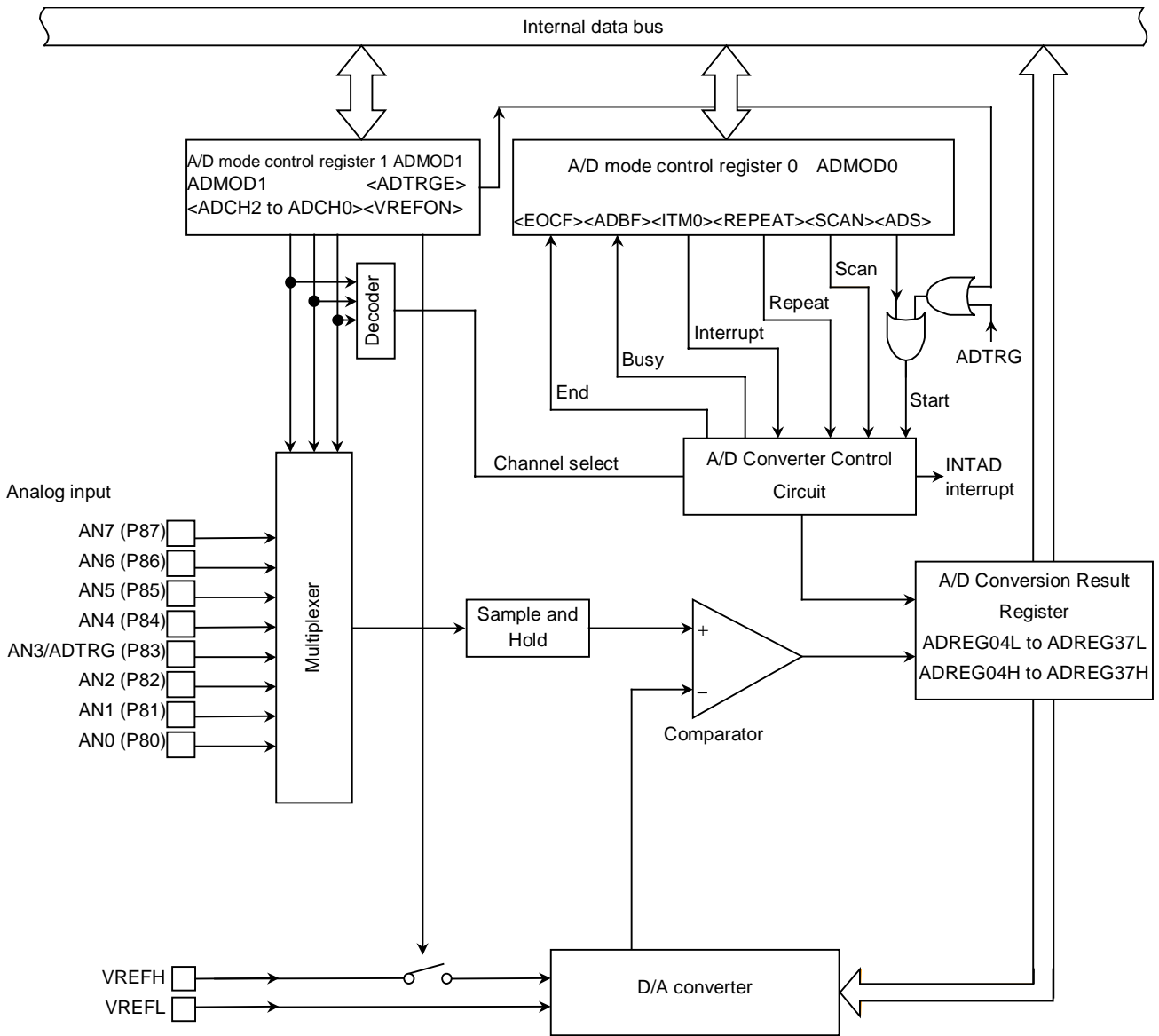


Figure 3.11.1 Block diagram of A/D converter

3.11.1 Analog/Digital converter registers

The two A/D Mode Control Registers control the A/D converter: ADMOD0 and ADMOD1. The eight A/D Conversion Data Upper and Lower Registers (ADREG04H/L, ADREG15H/L, ADREG26H/L and ADREG37H/L) store the results of A/D conversion.

Figure 3.11.2 shows the registers related to the A/D converter.

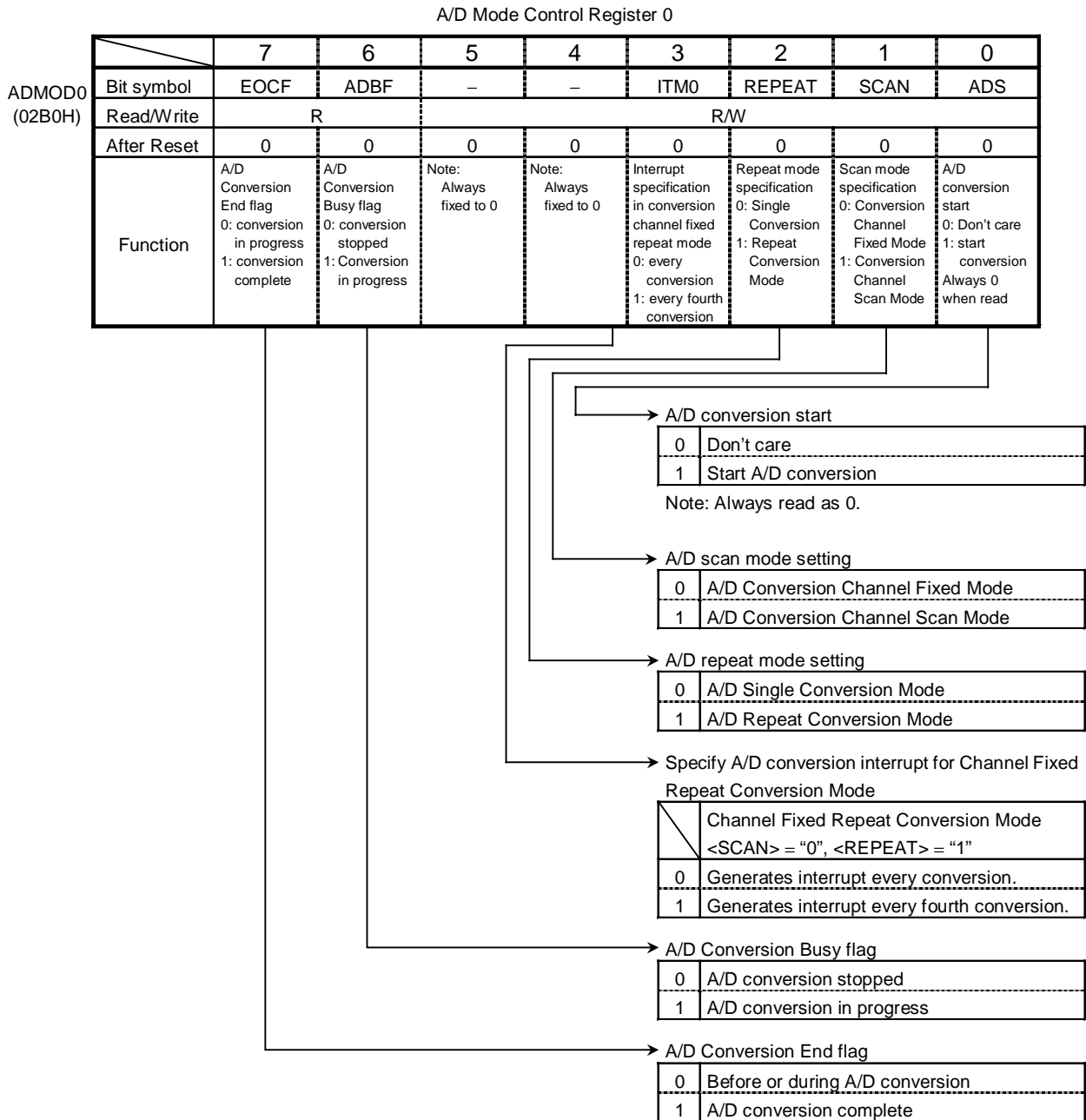
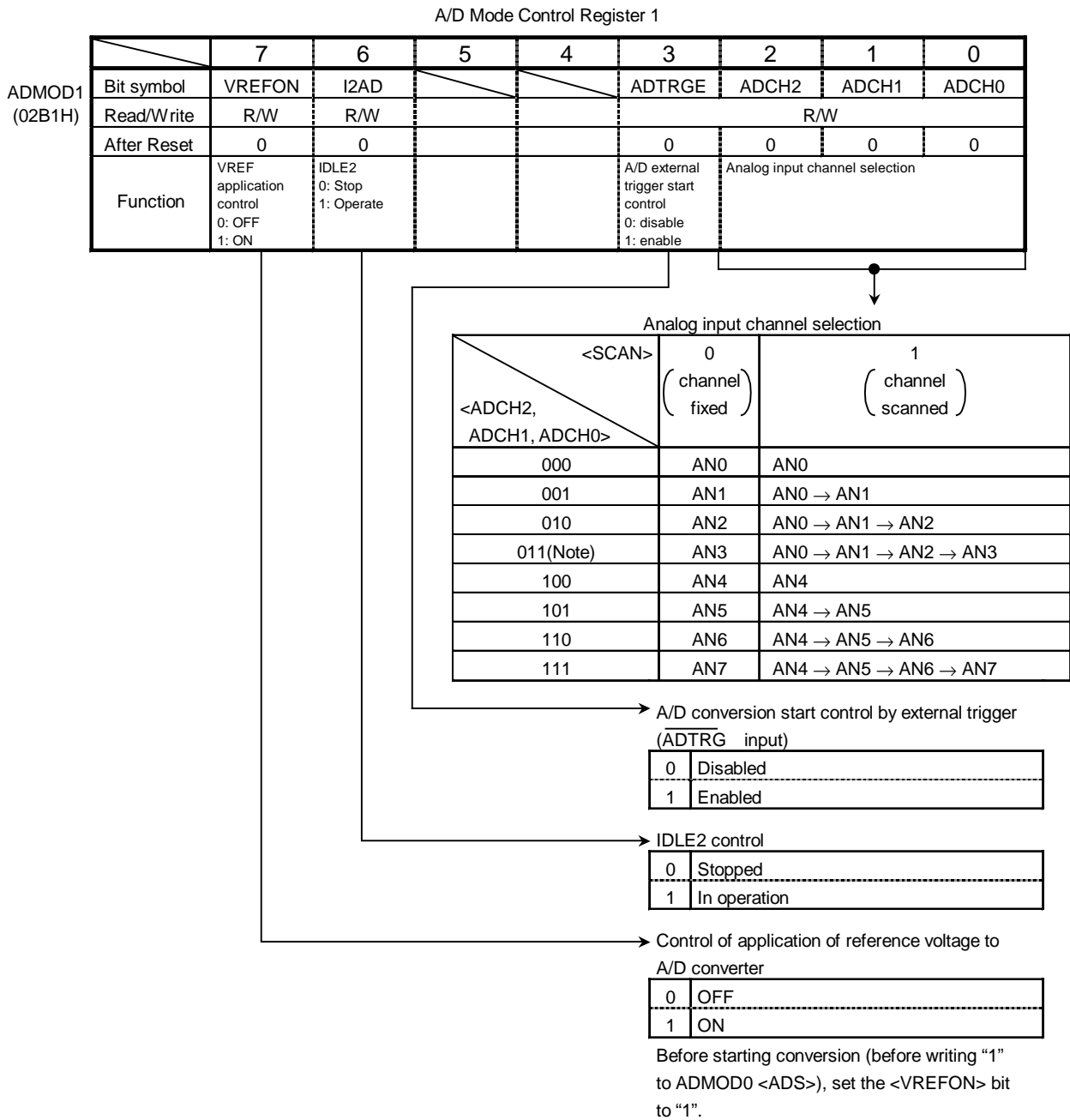


Figure 3.11.2 A/D Converter Related Register



Note: As pin AN3 also functions as the  $\overline{\text{ADTRG}}$  input pin, do not set < ADCH2: 0 > = "011" when using  $\overline{\text{ADTRG}}$  with < ADTRGE > set to "1".

Figure 3.11.3 A/D Converter Related Register

A/D Conversion Data Low Register 0/4

	7	6	5	4	3	2	1	0	
ADREG04L (02A0H)	Bit symbol	ADR01	ADR00	/				ADR0RF	
	Read/Write	R							
	After Reset	Undefined							
	Function	Stores lower 2 bits of A/D conversion result						A/D Conversion Data Storage flag 1: Conversion result stored	

A/D Conversion Data Upper Register 0/4

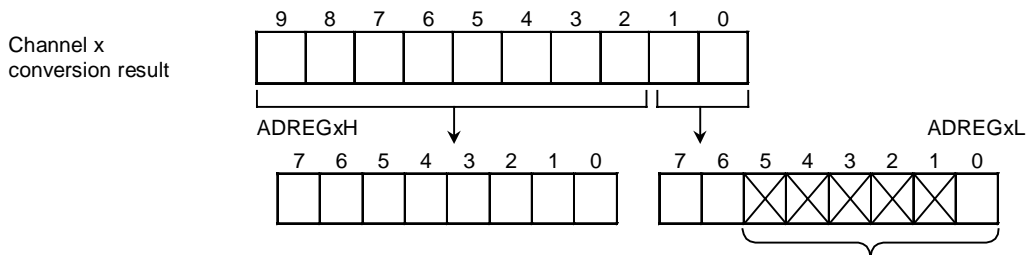
	7	6	5	4	3	2	1	0	
ADREG04H (02A1H)	Bit symbol	ADR09	ADR08	ADR07	ADR06	ADR05	ADR04	ADR03	ADR02
	Read/Write	R							
	After Reset	Undefined							
	Function	Stores upper eight bits A/D conversion result.							

A/D Conversion Data Lower Register 1/5

	7	6	5	4	3	2	1	0	
ADREG15L (02A2H)	Bit symbol	ADR11	ADR10	/				ADR1RF	
	Read/Write	R							
	After Reset	Undefined							
	Function	stores lower 2 bits of A/D conversion result						A/D Conversion Result flag 1: Conversion result stored	

A/D Conversion Data Upper Register 1/5

	7	6	5	4	3	2	1	0	
ADREG15H (02A3H)	Bit symbol	ADR19	ADR18	ADR17	ADR16	ADR15	ADR14	ADR13	ADR12
	Read/Write	R							
	After Reset	Undefined							
	Function	Stores upper eight bits of A/D conversion result.							



- Bits 5-1 are always read as "1".
- Bit 0 is the A/D conversion data storage flag <ADRxRF>. When the A/D conversion result is stored, the flag is set to "1". When either of the registers (ADREGxH, ADREGxL) is read, the flag is cleared to "0".

Figure 3.11.4 A/D Converter Related Registers

A/D Conversion Result Lower Register 2/6

	7	6	5	4	3	2	1	0	
ADREG26L (02A4H)	Bit symbol	ADR21	ADR20	/				ADR2RF	
	Read/Write	R							
	After Reset	Undefined							
	Function	Stores lower 2 bits of A/D conversion result.						A/D conversion data storage flag 1: Conversion result stored	

A/D Conversion Data upper Register 2/6

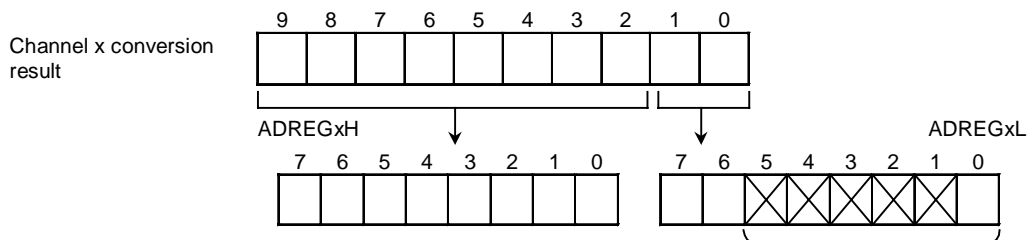
	7	6	5	4	3	2	1	0	
ADREG26H (02A5H)	Bit symbol	ADR29	ADR28	ADR27	ADR26	ADR25	ADR24	ADR23	ADR22
	Read/Write	R							
	After Reset	Undefined							
	Function	Stores upper eight bits of A/D conversion result.							

A/D Conversion Data Lower Register 3/7

	7	6	5	4	3	2	1	0	
ADREG37L (02A6H)	Bit symbol	ADR31	ADR30	/				ADR3RF	
	Read/Write	R							
	After Reset	Undefined							
	Function	Stores lower 2 bits of AD conversion result.						AD Conversion Data Storage flag 1: conversion result stored	

A/D Conversion Result Upper Register 3/7

	7	6	5	4	3	2	1	0	
ADREG37H (02A7H)	Bit symbol	ADR39	ADR38	ADR37	ADR36	ADR35	ADR34	ADR33	ADR32
	Read/Write	R							
	After Reset	Undefined							
	Function	Stores upper eight bits of A/D conversion result.							



- Bits 5 to 1 are always read as "1".
- Bit 0 is the A/D conversion data storage flag <ADRxRF>. When the A/D conversion result is stored, the flag is set to "1". When either of the registers (ADREGxH, ADREGxL) is read, the flag is cleared to "0".

Figure 3.11.5 A/D Converter Related Registers

## 3.11.2 Description of operation

## (1) Analog reference voltage

A High-level analog reference voltage is applied to the VREFH pin; a low-level analog reference voltage is applied to the VREFL pin. To perform A/D conversion, the reference voltage, the difference between VREFH and VREFL, is divided by 1024 using string resistance. The result of the division is then compared with the analog input voltage.

To turn off the switch between VREFH and VREFL, write a “0” to ADMOD1<VREFON> in A/D Mode Control Register 1. To start A/D conversion in the OFF state, first write a “1” to ADMOD1<VREFON>, wait 3  $\mu$ s until the internal reference voltage stabilizes (this is not related to  $f_c$ ), then set ADMOD0<ADS> to “1”.

## (2) Analog input channel selection

The analog input channel selection varies depends on the operation mode of the A/D converter.

- In Analog Input Channel Fixed Mode (A/D MOD0<SCAN> = “0”)
 

Setting ADMOD1<ADCH2 to ADCH0> selects one of the input pins AN0 to AN7 as the input channel.
- In Analog Input Channel Scan Mode (ADMOD0<SCAN> = “1”)
 

Setting ADMOD1<ADCH2 to ADCH0> selects one of the eight scan modes.

Table 3.11.1 illustrates analog input channel selection in each operation mode.

On a Reset, ADMOD0<SCAN> is set to “0” and ADMOD1<ADCH2 to ADCH0> is initialized to “000”. Thus pin AN0 is selected as the fixed input channel. Pins not used as analog input channels can be used as standard input port pins.

Table 3.11.1 Analog input channel selection

<ADCH2~0>	Channel fixed <SCAN> = “0”	Channel scan <SCAN> = “1”
000	AN0	AN0
001	AN1	AN0 → AN1
010	AN2	AN0 → AN1 → AN2
011	AN3	AN0 → AN1 → AN2 → AN3
100	AN4	AN4
101	AN5	AN4 → AN5
110	AN6	AN4 → AN5 → AN6
111	AN7	AN4 → AN5 → AN6 → AN7



(3) Starting A/D Conversion

To start A/D conversion, write a 1 to ADMOD0<ADS> in A/D Mode Control Register 0 or ADMOD1<ADTRGE> in A/D Mode Control Register 1, and input falling edge on  $\overline{\text{ADTRG}}$  pin. When A/D conversion starts, the A/D Conversion Busy flag ADMOD0<ADBF> will be set to “1”, indicating that A/D conversion is in progress.

Writing a 1 to ADMOD0<ADS> during A/D conversion restarts conversion. At that time, to determine whether the A/D conversion results have been preserved, check the value of the conversion data storage flag A/D REGxL<ADR<sub>x</sub>RF>.

During A/D conversion, a falling edge input on the  $\overline{\text{ADTRG}}$  pin will be ignored.

(4) A/D conversion modes and the A/D Conversion End interrupt

The four A/D conversion modes are:

- Channel Fixed Single Conversion Mode
- Channel Scan Single Conversion Mode
- Channel Fixed Repeat Conversion Mode
- Channel Scan Repeat Conversion Mode

The ADMOD0<REPET> and ADMOD0<SCAN> settings in A/D Mode Control Register 0 determine the A/D mode setting.

Completion of A/D conversion triggers an INTAD A/D Conversion End interrupt request. Also, ADMOD0<EOCF> will be set to “1” to indicate that A/D conversion has been completed.

Channel Fixed Single Conversion Mode

Setting ADMOD0<REPET> and ADMOD0<SCAN> to “00” selects Conversion Channel Fixed Single Conversion Mode.

In this mode data on one specified channel is converted once only. When the conversion has been completed, the ADMOD0<EOCF> flag is set to “1”, ADMOD0<ADBF> is cleared to “0”, and an INTAD interrupt request is generated.

Channel Scan Single Conversion Mode

Setting ADMOD0<REPET> and ADMOD0<SCAN> to “01” selects Conversion Channel Scan Single Conversion Mode.

In this mode data on the specified scan channels is converted once only. When scan conversion has been completed, ADMOD0<EOCF> is set to “1”, ADMOD0<ADBF> is cleared to “0”, and an INTAD interrupt request is generated.

### Channel Fixed Repeat Conversion Mode

Setting ADMOD0<REPET> and ADMOD0<SCAN> to “10” selects Conversion Channel Fixed Repeat Conversion Mode.

In this mode data on one specified channel is converted repeatedly. When conversion has been completed, ADMOD0<EOCF> is set to “1” and ADMOD0<ADBF> is not cleared to “0” but held at “1”. INTAD interrupt request generation timing is determined by the setting of ADMOD0<ITM0>.

Setting <ITM0> to “0” generates an interrupt request every time an A/D conversion is completed.

Setting <ITM0> to “1” generates an interrupt request on completion of every fourth conversion.

### Channel Scan Repeat Conversion Mode

Setting ADMOD0<REPET> and ADMOD0<SCAN> to “11” selects Conversion Channel Scan Repeat Conversion Mode.

In this mode data on the specified scan channels is converted repeatedly. When each scan conversion has been completed, ADMOD0<EOCF> is set to “1” and an INTAD interrupt request is generated. ADMOD0<ADBF> is not cleared to “0” but held at “1”.

To stop conversion in a repeat conversion mode (i.e. in cases      and      ), write a “0” to ADMOD0<REPET>. After the current conversion has been completed, the repeat conversion mode terminates and ADMOD0<ADBF> is cleared to “0”.

Switching to a halt state (IDLE2 Mode with ADMOD1<I2AD> cleared to “0”, IDLE1 Mode or STOP Mode) immediately stops operation of the A/D converter even when A/D conversion is still in progress. In repeat conversion modes (i.e. in cases      and      ), when the halt is released, conversion restarts from the beginning. In single conversion modes (i.e. in cases      and      ), conversion does not restart when the halt is released (the converter remains stopped).

Table 3.11.2 shows the relationship between the A/D conversion modes and interrupt requests.

Table 3.11.2 Relationship between A/D Conversion Modes and Interrupt Requests

Mode	Interrupt Request Generation	ADMOD0		
		<ITM0>	<REPEAT>	<SCAN>
Channel Fixed Single Conversion Mode	After completion of conversion	X	0	0
Channel Scan Single Conversion Mode	After completion of scan conversion	X	0	1
Channel Fixed Repeat Conversion Mode	Every conversion	0	1	0
	Every fourth conversion	1		
Channel Scan Repeat Conversion Mode	After completion of every scan conversion	X	1	1

X: Don't care

## (5) A/D conversion time

84 states ( $10.5 \mu\text{s}$  @  $f_{\text{FPH}} = 16 \text{ MHz}$ ) are required for the A/D conversion of one channel.

## (6) Storing and reading the results of A/D conversion

The A/D Conversion Data Upper and Lower Registers (ADREG04H/L to ADREG37H/L) store the results of A/D conversion. (ADREG04H/L to ADREG37H/L are read-only registers.)

In Channel Fixed Repeat Conversion Mode, the conversion results are stored successively in registers ADREG04H/L to ADREG37H/L. In other modes the AN0 and AN4, AN1 and AN5, AN2 and AN6, and AN3 and AN7 conversion results are stored in ADREG04H/L, ADREG15H/L, ADREG26H/L and ADREG37H/L respectively.

Table 3.11.3 shows the correspondence between the analog input channels and the registers, which are used to hold the results of A/D conversion.

Table 3.11.3 Correspondence between Analog Input Channels and  
A/D Conversion Result Registers

Analog input channel (Port A)	A/D Conversion Result Register	
	Conversion modes other than at right	Channel fixed repeat conversion mode (every 4th conversion)
AN0	ADREG04H/L	
AN1	ADREG15H/L	
AN2	ADREG26H/L	
AN3	ADREG37H/L	
AN4	ADREG04H/L	
AN5	ADREG15H/L	
AN6	ADREG26H/L	
AN7	ADREG37H/L	

<ADR<sub>x</sub>RF> bit “0” of the A/D conversion data lower register is used as the A/D conversion data storage flag. The storage flag indicates whether the A/D conversion result register has been read or not. When a conversion result is stored in the A/D conversion result register, the flag is set to “1”. When either of the A/D conversion result registers (ADREG<sub>x</sub>H or ADREG<sub>x</sub>L) is read, the flag is cleared to “0”.

Reading the A/D conversion result also clears the A/D Conversion End flag ADMOD0<EOCF> to “0”.

## Setting example:

Convert the analog input voltage on the AN3 pin and write the result, to memory address 1000H using the A/D interrupt (INTAD) processing routine.

Main routine:

		7	6	5	4	3	2	1	0	
INTE0AD	←	X	1	0	0	-	-	-	-	Enable INTAD and set it to Interrupt Level 4.
ADMOD1	←	1	1	X	X	0	0	1	1	Set pin AN3 to be the analog input channel.
ADMOD0	←	X	X	0	0	0	0	0	1	Start conversion in Channel Fixed Single Conversion Mode.

Interrupt routine processing example:

WA	←	ADREG37	Read value of ADREG37L and ADREG37H into 16-bit general-purpose register WA.
WA	>>	6	Shift contents read into WA six times to right and zero-fill upper bits.
(1000H)	←	WA	Write contents of WA to memory address 1000H.

This example repeatedly converts the analog input voltages on the three pins AN0, AN1 and AN2, using Channel Scan Repeat Conversion Mode.

INTE0AD	←	X	0	0	0	-	-	-	-	Disable INTAD.
ADMOD1	←	1	X	X	X	0	0	1	0	Set pins AN0 to AN2 to be the analog input channels.
ADMOD0	←	X	X	0	0	0	1	1	1	Start conversion in Channel Scan Repeat Conversion Mode.

Note: X = Don't care; "-" = No change

### 3.12 Watchdog timer (runaway detection timer)

The TMP91C820A features a watchdog timer for detecting runaway.

The watchdog timer (WDT) is used to return the CPU to Normal state when it detects that the CPU has started to malfunction (runaway) due to causes such as noise. When the watchdog timer detects a malfunction, it generates a non-maskable interrupt INTWD to notify the CPU of the malfunction.

Connecting the watchdog timer output to the Reset pin internally forces a reset.

#### 3.12.1 Configuration

Figure 3.12.1 is a block diagram of the watchdog timer (WDT).

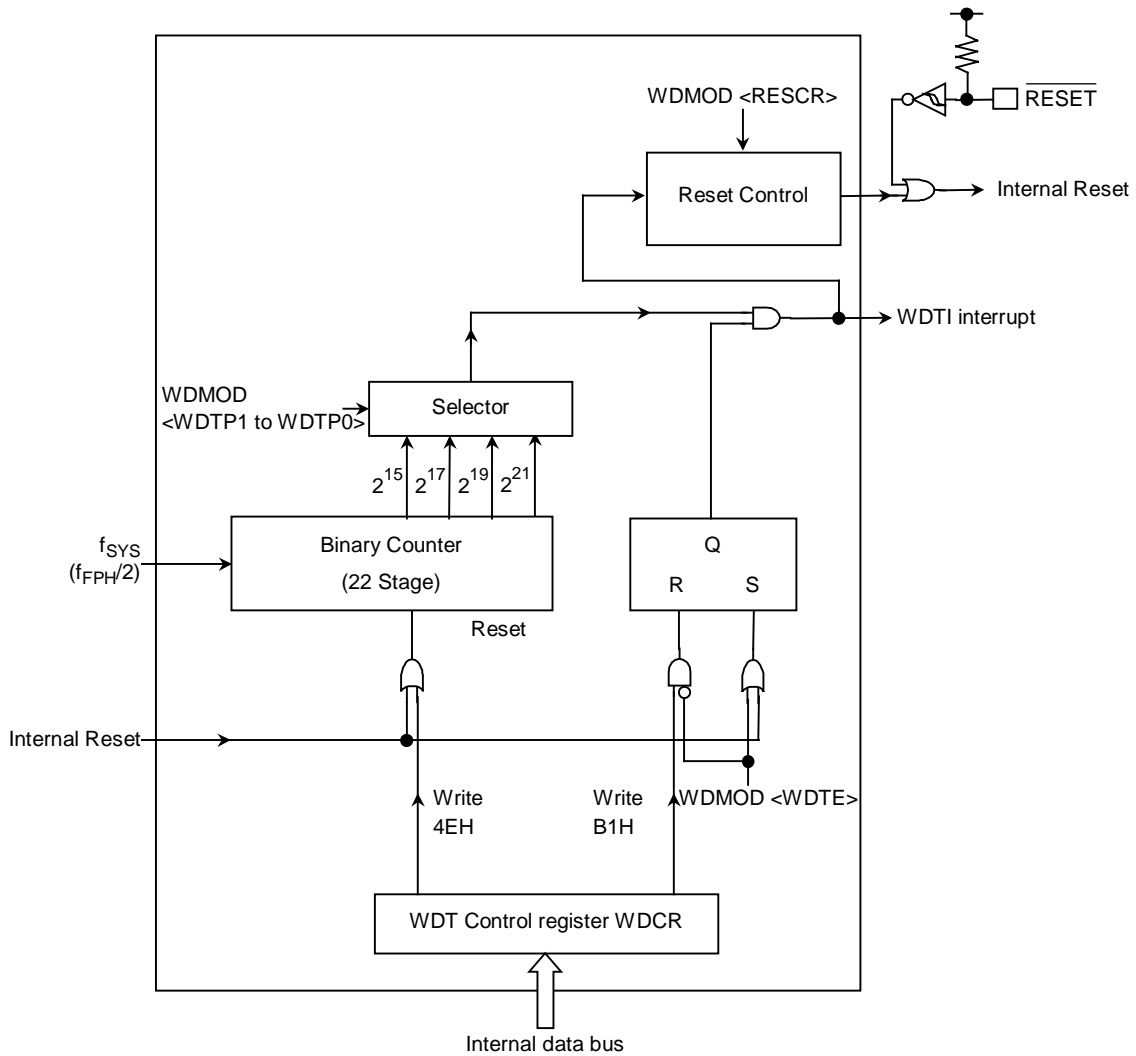


Figure 3.12.1 Block diagram of watchdog timer

The watchdog timer consists of a 22-stage binary counter which uses the system clock ( $f_{SYS}$ ) as the input clock. The binary counter can output  $f_{SYS}/215$ ,  $f_{SYS}/217$ ,  $f_{SYS}/219$  and  $f_{SYS}/221$ . Selecting one of the outputs using  $WDMOD<WDTP1, WDTP0>$  generates a Watchdog interrupt and outputs watchdog timer out when an overflow occurs.

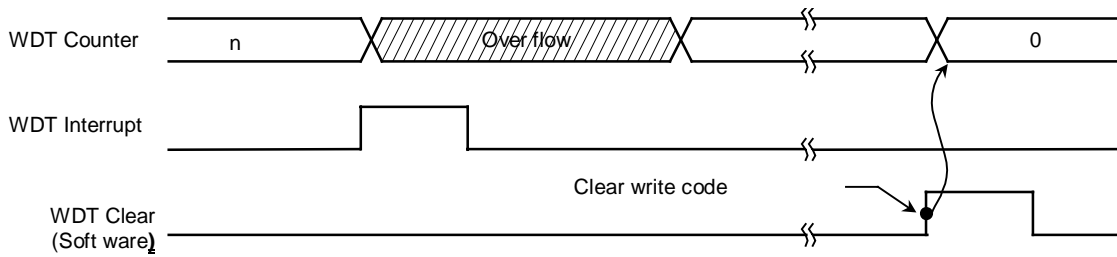


Figure 3.12.2 Normal Mode

The runaway detection result can also be connected to the Reset pin internally. In this case, the reset time will be between 22 and 29 states as shown in Figure 3.12.3.

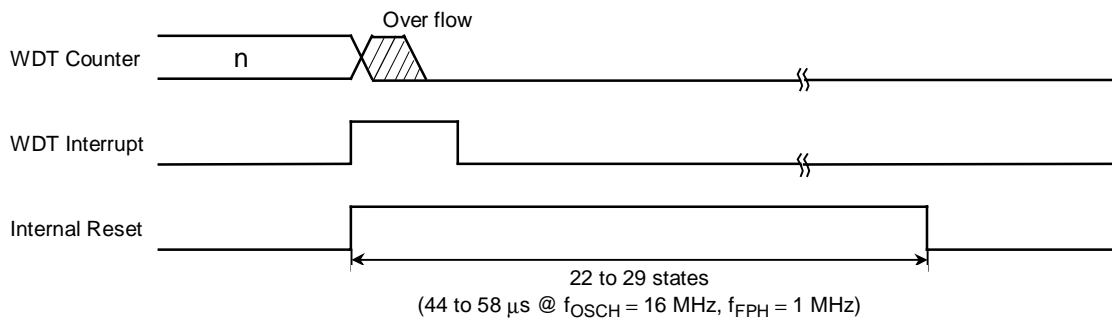


Figure 3.12.3 Reset Mode

### 3.12.2 Control registers

The watchdog timer WDT is controlled by two controls registers WDMOD and WDCR.

#### (1) Watchdog Timer Mode Register (WDMOD)

##### ① Setting the detection time for the watchdog timer in <WDTP>

This 2-bit register is used for setting the watchdog timer interrupt time used when detecting runaway. On a Reset this register is initialized to WDMOD<WDTP1, WDTP0> = "00". The detection times for WDT are shown in Figure 3.12.4.

##### ② Watchdog Timer Enable/Disable Control Register <WDTE>

On a Reset WDMOD<WDTE> is initialized to "1", enabling the watchdog timer. To disable the watchdog timer, it is necessary to set this bit to "0" and to write the disable code (B1H) to the Watchdog Timer Control Register WDCR. This makes it difficult for the watchdog timer to be disabled by runaway. However, it is possible to return the watchdog timer from the disabled state to the enabled state merely by setting <WDTE> to "1".

##### ③ Watchdog timer out reset connection <RESCR>

This register is used to connect the output of the watchdog timer with the RESET terminal internally. Since WDMOD<RESCR> is initialized to "0" on a Reset, a Reset by the watchdog timer will not be performed.

#### (2) Watchdog Timer Control Register (WDCR)

This register is used to disable and clear the binary counter for the watchdog timer.

**Disable control** The watchdog timer can be disabled by clearing WDMOD<WDTE> to "0" and then writing the disable code (B1H) to the WDCR register.

```
WDMOD ← 0 - - - - X X   Clear WDMOD<WDTE> to "0".
WDCR   ← 1 0 1 1 0 0 0 1   Write the disable code (B1H).
```

- Enable control

Set WDMOD<WDTE> to "1".

- Watchdog timer clear control

To clear the binary counter and cause counting to resume, write the clear code (4EH) to the WDCR register.

```
WDCR ← 0 1 0 0 1 1 1 0   Write the clear code (4EH).
```

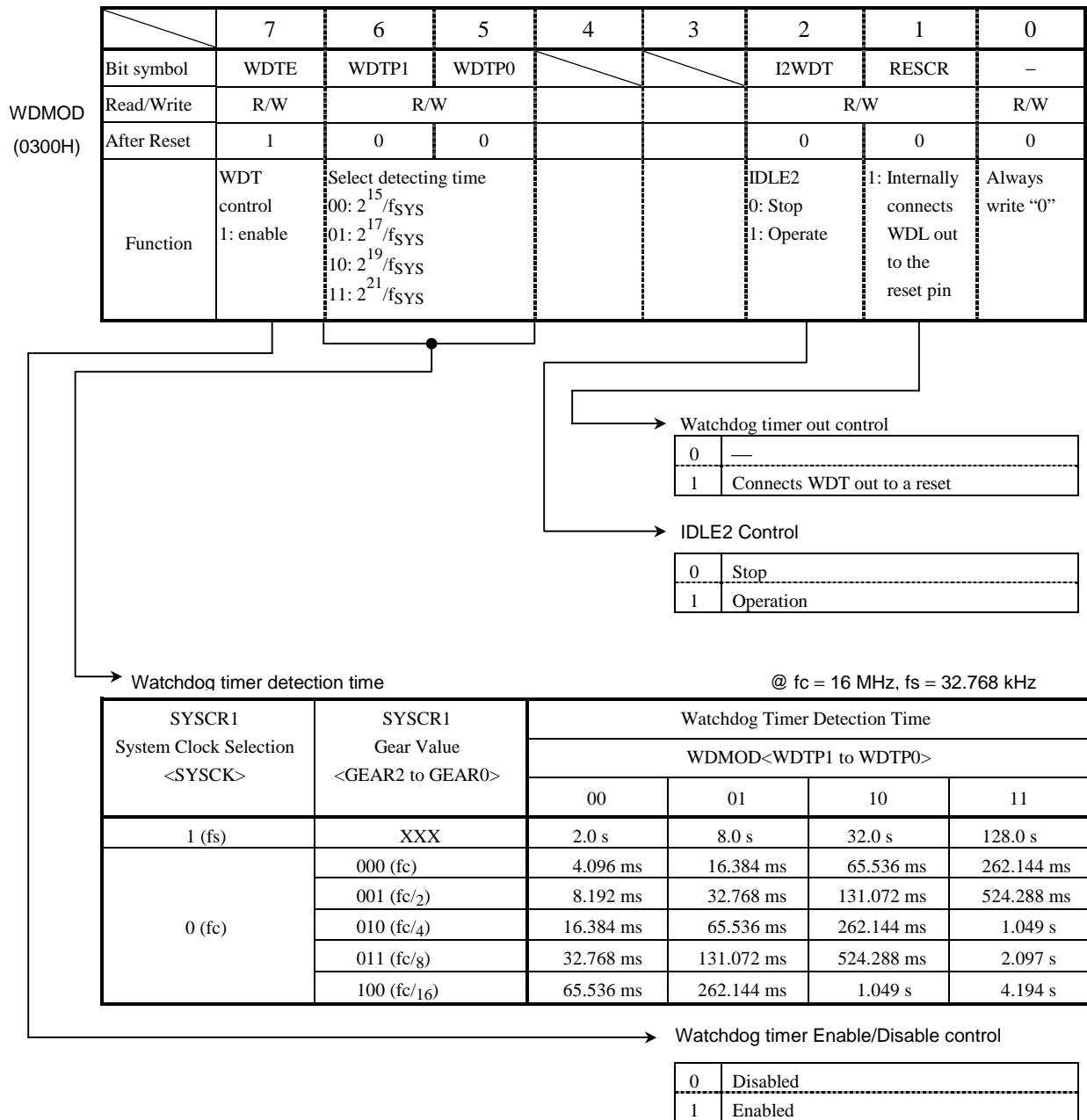


Figure 3.12.4 Watchdog Timer Mode Register

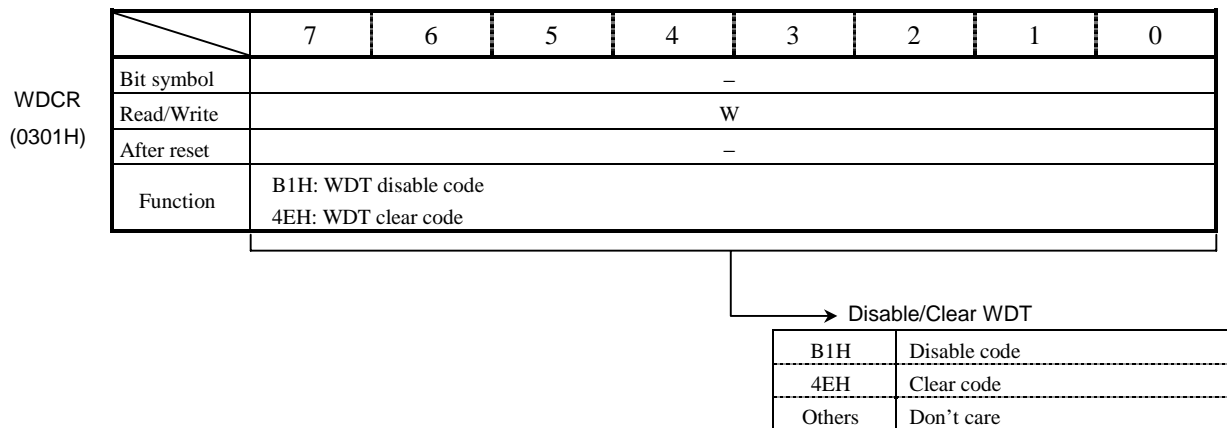


Figure 3.12.5 Watchdog Timer Control Register



### 3.12.3 Operation

The watchdog timer generates an INTWD interrupt when the detection time set in the WDMOD<WDTP1, WDTP0> has elapsed. The watchdog timer must be zero-cleared in software before an INTWD interrupt will be generated. If the CPU malfunctions (i.e. if runaway occurs) due to causes such as noise, but does not execute the instruction used to clear the binary counter, the binary counter will overflow and an INTWD interrupt will be generated. The CPU will detect malfunction (runaway) due to the INTWD interrupt and in this case it is possible to return to the CPU to normal operation by means of an anti-multifunction program.

The watchdog timer does not operate in IDLE1 or STOP Mode, \_\_\_\_\_ as the binary counter continues counting during bus release (When BUSAK goes low).

When the device is in IDLE2 Mode, the operation of WDT depends on the WDMOD<I2WDT> setting. Ensure that WDMOD<I2WDT> is set before the device enters IDLE2 Mode.

Example: ① Clear the binary counter.

WDCR ← 0 1 0 0 1 1 1 0      Write the clear code (4EH).

② Set the watchdog timer detection time to  $2^{17} / f_{SYS}$ .

WDMOD ← 1 0 1 - - - X X

③ Disable the watchdog timer.

WDMOD ← 0 - - - - X X      Clear WDTE to "0".

WDCR ← 1 0 1 1 0 0 0 1      Write the disable code (B1H).

### 3.13 Real time clock (RTC)

#### 3.13.1 Function description for RTC

- 1) Clock function (hour , minute , second)
- 2) Calendar function (month and day , day of the week , and leap year)
- 3) 24 or 12-hour (AM/PM) clock function
- 4) +/- 30 second adjustment function (by software)
- 5) Alarm function (Alarm output)
- 6) Alarm interrupt generate

#### 3.13.2 Block diagram

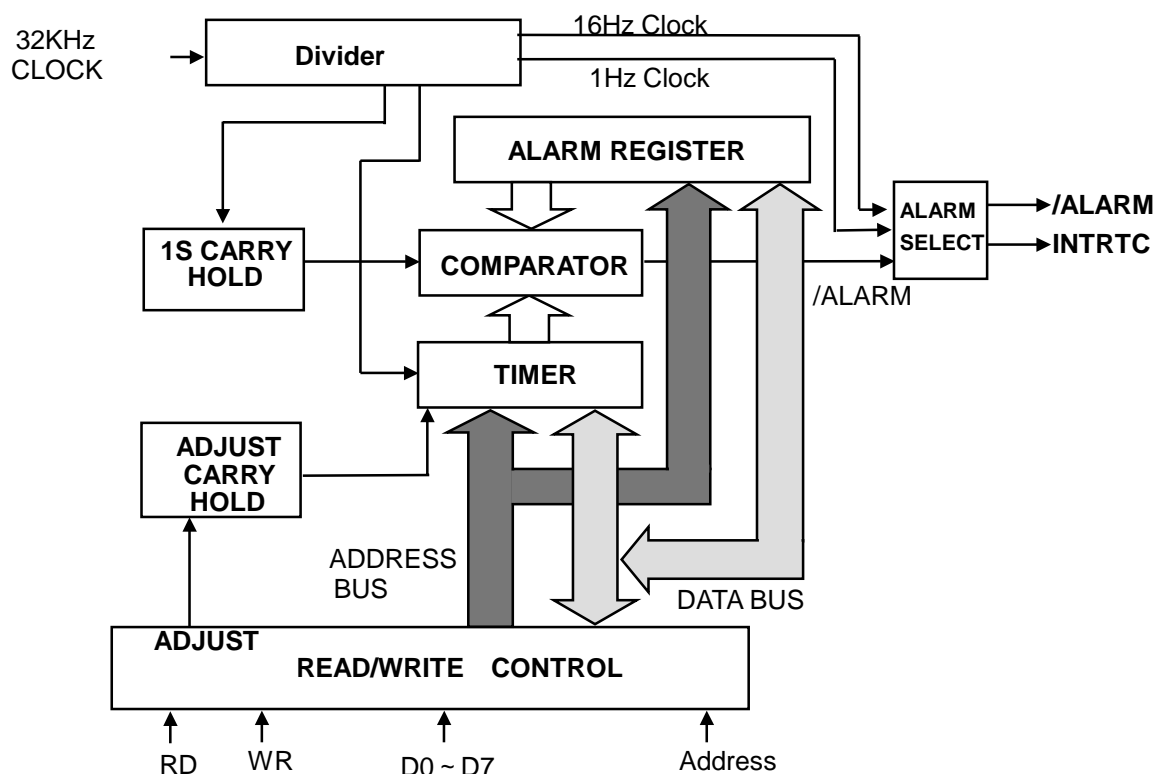


Figure 3.13(1) RTC block diagram

(Note1) The Christian era year column:

This product has year column toward only lower two columns. Therefore the next year in 99 works as 00 years. In system to use it, please manage upper two columns with the system side when handle year column in the Christian era.

(Note2) Leap year:

A leap year is the year, which is divisible with 4, but the year, which there is exception, and is divisible with 100, is not a leap year. However, the year is divisible with 400, is a leap year. But there is not this product for the correspondence to the above exception. Because there are only with the year which is divisible with 4 as a leap year, please cope with the system side if this function is problem.

## 3.13.3 Control registers

Table 3.13(1) PAGE 0 (Timer function) registers

Symbol	Address	bit7	bit6	bit5	bit4	bit3	bit2	bit1	Bit0	Function	Read/Writ
SECR	0320h		40 sec.	20 sec.	10 sec.	8 sec.	4 sec.	2 sec.	1 sec.	Second column	R/W
MINR	0321h		40 min.	20 min.	10 min.	8 min.	4 min.	2 min.	1 min.	Minute column	R/W
HOURR	0322h			20 hours	10 hours	8 hours	4 hours	2 hours	1 hour	Hour column	R/W
DAYR	0323h						W2	W1	W0	Day of the week column	R/W
DATER	0324h			Day 20	Day 10	Day 8	Day 4	Day 2	Day 1	Day column	R/W
MONTHR	0325h				Oct.	Aug.	Apr.	Feb.	Jan.	Month column	R/W
YEARR	0326h	Year 80	Year 40	Year 20	Year 10	Year 8	Year 4	Year 2	Year 1	Year column (lower two columns)	R/W
PAGER	0327h	INT ENA			ADJUST	ENATMR	ENAALM		PAGE	PAGE register	W,R/W
RESTR	0328h	DIS1HZ	DIS16HZ	RSTTMR	RSTALM	0	0	0	0	Reset register	Write only

(Note) As for SECR, MINR, HOURR, DAYR, MONTHR, YEER of PAGE0, current state is read when read it.

Table 3.13(2) PAGE 1(Alarm function) registers

Symbol	Address	bit7	bit6	bit5	bit4	bit3	bit2	bit1	bit0	Function	Read/Write
SECR	0320h										R/W
MINR	0321h		40 min.	20 min.	10 min.	8 min.	4 min.	2 min.	1 min.	Minute column for Alarm	R/W
HOURR	0322h			20 hours	10 hours	8 hours	4 hours	2 hours	1 hours	Hour column for Alarm	R/W
DAYR	0323h						W2	W1	W0	Day of the week column for Alarm	R/W
DATER	0324h			Day 20	Day 10	Day 8	Day 4	Day 2	Day 1	Day column for Alarm	R/W
MONTHR	0325h								24/12	24-hour clock mode	R/W
YEARR	0326h							LEAP 1	LEAP 0	Leap-year mode	R/W
PAGER	0327h	INT ENA			ADJUST	ENATMR	ENAALM		PAGE	PAGE register	W,R/W
RESTR	0328h	DIS1HZ	DIS16HZ	RSTTMR	RSTALM	0	0	0	0	Reset register	Write only

3.13.4 Detailed explanation of control register

RTC is not initialized by reset.

Therefore, all registers must be initialized at the beginning of the program.

(1) Second column register (for PAGE0 only)

	7	6	5	4	3	2	1	0	
SECR (0320H)	bit Symbol	SE6	SE5	SE4	SE3	SE2	SE1	SE0	
	Read/Write	R/W							
	After reset	Undefined							
	Function	"0" is read.	40 sec. column	20 sec. column	10sec. Column	8 sec. column	4 sec. column	2sec. column	1sec. column



0	0	0	0	0	0	0	0	0 sec.
0	0	0	0	0	0	0	1	1 sec.
0	0	0	0	0	0	1	0	2 sec.
0	0	0	0	0	1	0	0	4 sec.
0	0	0	0	0	1	0	1	5 sec.
0	0	0	0	0	1	1	0	6 sec.
0	0	0	0	0	1	1	1	7 sec.
0	0	0	1	0	0	0	0	8 sec.
0	0	0	1	0	0	0	1	9 sec.
0	0	1	0	0	0	0	0	10 sec.

0	0	1	1	0	0	1	19 sec.
0	1	0	0	0	0	0	20 sec.

0	1	0	1	0	0	1	29 sec.
0	1	1	0	0	0	0	30 sec.

0	1	1	1	0	0	1	39 sec.
1	0	0	0	0	0	0	40 sec.

1	0	0	1	0	0	1	49 sec.
1	0	1	0	0	0	0	50 sec.

1	0	1	1	0	0	1	59 sec.
---	---	---	---	---	---	---	---------

(2) Minute column register (for PAGE0/1)

	7	6	5	4	3	2	1	0
MINR (0321H)	bit Symbol	MI6	MI5	MI4	MI3	MI2	MI1	MI0
	Read/Write	R/W						
	After reset	Undefined						
	Function	"0" is read. 40 min, column	20min, column	10min, column	8 min. column	4 min. column	2 min, column	1min, column



0	0	0	0	0	0	0	0	0 min.
0	0	0	0	0	0	0	1	1 min.
0	0	0	0	0	0	1	0	2 min.
0	0	0	0	0	0	1	1	3 min.
0	0	0	0	0	1	0	0	4 min.
0	0	0	0	0	1	0	1	5 min.
0	0	0	0	0	1	1	0	6 min.
0	0	0	0	0	1	1	1	7 min.
0	0	0	0	1	0	0	0	8 min.
0	0	0	0	1	0	0	1	9 min.
0	0	0	1	0	0	0	0	10 min.

0	0	1	1	0	0	1	19 min.
0	1	0	0	0	0	0	20 min.

0	1	0	1	0	0	1	29 min.
0	1	1	0	0	0	0	30 min.

0	1	1	1	0	0	1	39 min.
1	0	0	0	0	0	0	40 min.

1	0	0	1	0	0	1	49 min.
1	0	1	0	0	0	0	50 min.

1	0	1	1	0	0	1	59 min.
---	---	---	---	---	---	---	---------

(3) Hour column register (for PAGE0/1)

In case of 24-hour clock mode (MONTHR<MO0>='1')

	7	6	5	4	3	2	1	0
HOURR (0322H)			HO5	HO4	HO3	HO2	HO1	HO0
bit Symbol			R/W					
Read/Write	R/W							
After reset	Undefined							
Function	"0" is read.		20 hour column	10 hour column	8 hour column	4 hour column	2 hour column	1 hour column



0	0	0	0	0	0	0	0 o'clock
0	0	0	0	0	0	1	1 o'clock
0	0	0	0	0	1	0	2 o'clock

0	0	1	0	0	0	0	8 o'clock
0	0	1	0	0	0	1	9 o'clock
0	1	0	0	0	0	0	10 o'clock

0	1	1	0	0	1	19 o'clock
1	0	0	0	0	0	20 o'clock

1	0	0	0	1	1	23 o'clock
---	---	---	---	---	---	------------

In case of 24-hour clock mode (MONTHR<MO0>='0')

	7	6	5	4	3	2	1	0
HOURR (0322H)			HO5	HO4	HO3	HO2	HO1	HO0
bit Symbol			R/W					
Read/Write	R/W							
After reset	Undefined							
Function	"0" is read.		PM/ $\overline{\text{AM}}$	10 hour column	8 hour column	4 hour column	2 hour column	1 hour column



0	0	0	0	0	0	0	0 o'clock (AM)
0	0	0	0	0	0	1	1 o'clock
0	0	0	0	0	1	0	2 o'clock
0	0	1	0	0	0	1	9 o'clock
0	1	0	0	0	0	0	10 o'clock
0	1	0	0	0	0	1	11 o'clock
1	0	0	0	0	0	0	0 o'clock (PM)
1	0	0	0	0	0	1	1 o'clock

(4) Day of the week column register (for PAGE0/1)

	7	6	5	4	3	2	1	0
DAYR (0323H)	/					WE2	WE1	WE0
bit Symbol						R/W		
Read/Write	Undefined							
After reset	"0" is read.					W2	W1	W0
Function						W0		



0	0	0	Sunday
0	0	1	Monday
0	1	0	Tuesday
0	1	1	Wednesday
1	0	0	Thursday
1	0	1	Friday
1	1	0	Saturday

(5) Day column register (for PAGE0/1)

	7	6	5	4	3	2	1	0
DATER (0324H)	/		DA5	DA4	DA3	DA2	DA1	DA0
bit Symbol			R/W					
Read/Write	Undefined							
After reset	"0" is read.		Day 20	Day 10	Day 8	Day 4	Day 2	Day 1
Function			Day 1					



0	0	0	0	0	0	0	0
0	0	0	0	0	0	1	1 <sup>st</sup> day
0	0	0	0	0	1	0	2 <sup>nd</sup> day
0	0	0	0	0	1	1	3 <sup>rd</sup> day
0	0	0	1	0	0	0	4 <sup>th</sup> day

0	0	1	0	0	1	9 <sup>th</sup> day
0	1	0	0	0	0	10 <sup>th</sup> day
0	1	0	0	0	1	11 <sup>th</sup> day

0	1	1	0	0	1	19 <sup>th</sup> day
1	0	0	0	0	0	20 <sup>th</sup> day

1	0	1	0	0	1	29 <sup>th</sup> day
1	1	0	0	0	0	30 <sup>th</sup> day
1	1	0	0	0	1	31 <sup>st</sup> day

(6) Month column register (for PAGE0 only)

	7	6	5	4	3	2	1	0
MONTHR (0325H)	bit Symbol			MO4	MO3	MO2	MO1	MO0
	Read/Write	R/W						
	After reset	Undefined						
	Function	"0" is read.			10 months	8 months	4 months	2 months



0	0	0	0	1	January
0	0	0	1	0	February
0	0	0	1	1	March
0	0	1	0	0	April
0	0	1	0	1	May
0	0	1	1	0	June
0	0	1	1	1	July
0	1	0	0	0	August
0	1	0	0	1	September
1	0	0	0	0	October
1	0	0	0	1	November
1	0	0	1	0	December

(7) Select 24-hour clock or 12-hour clock (for PAGE1 only)

	7	6	5	4	3	2	1	0
MONTHR (0325H)	bit Symbol							MO0
	Read/Write	R/W						
	After reset	Undefined						
	Function	"0" is read.						



(8) Year column register (for PAGE0 only)

	7	6	5	4	3	2	1	0	
YEARR (0326H)	bit Symbol	YE7	YE6	YE5	YE4	YE3	YE2	YE1	YE0
	Read/Write	R/W							
	After reset	Undefined							
	Function	80 Years	40 Years	20 Years	10 Years	8 Years	4 Years	2 Years	1 Year



1	0	0	1	1	0	0	1	99 year
0	0	0	0	0	0	0	0	00 year
0	0	0	0	0	0	0	1	01 year
0	0	0	0	0	0	1	0	02 year
0	0	0	0	0	0	1	1	03 year
0	0	0	0	0	1	0	0	04 year
0	0	0	0	0	1	0	1	05 year

(9) Leap-year register (for PAGE1 only)

	7	6	5	4	3	2	1	0		
YEARR (0326H)							LEAP1	LEAP0		
							Read/Write	R/W		
	After reset	Undefined								
	Function	"0" is read.					00:leap-year	01: one year after leap-year	10:two years after leap-year	11:three years after leap-year



0	0	Current year is leap-year
0	1	Present is next year of a leap year
1	0	Present is two years after a leap year
1	1	Present is three years after leap year

(10) Setting PAGE register(for PAGE0/1)

	7	6	5	4	3	2	1	0
PAGER (0327H)	INTENA			ADJUST	ENA TMR	ENAALM		PAGE
Read/Write	R/W			W		R/W		R/W
After reset	0					Undefined		Undefined
Function	1:INT enable (note)	"0" is read.		1:ADJUST	TIMER 1:ENABLE 0:DISABLE	ALARM 1:ENABLE 0:DISABLE		PAGE select

Prohibit Read Modify Write

(Note) When INTRTC is used, set following.

Id ( pager ), 0ch  
 Id ( pager ), 8ch

0	Select Page0
1	Select Page1

0	
1	Adjust sec. counter. When set this bit to "1" the sec. counter become to "0" when the value of sec. counter is 0 - 29. And in case that value of sec. counter is 30-59, min. counter is carried and become sec. counter to "0".

(11) Setting reset register (for PAGE0/1)

	7	6	5	4	3	2	1	0
RESTR (0328H)	DIS1HZ	DIS16HZ	RSTTMR	RSTALM	RE3	RE2	RE1	RE0
Read/Write	W							
After reset	Undefined							
Function	0:1HZ	0:16HZ	1:TIMER RESET	1:ALARM RESET	Please fix to "0"			

Prohibit Read Modify Write

0	
1	Reset alarm register

0	
1	Timer reset

0	Enable 16Hz clock (/ALARM output , INTRTC)
1	Disable 16Hz clock (/ALARM output , INTRTC)

0	Enable 1Hz clock (/ALARM output , INTRTC)
1	Disable 1Hz clock (/ALARM output , INTRTC)

## 3.13.5 Operational description

## (1) Reading timer data

There is the case, which reads wrong data when carry of the inside counter happens during the operation which timer data reads. Therefore please read two times with the following way for reading correct data.

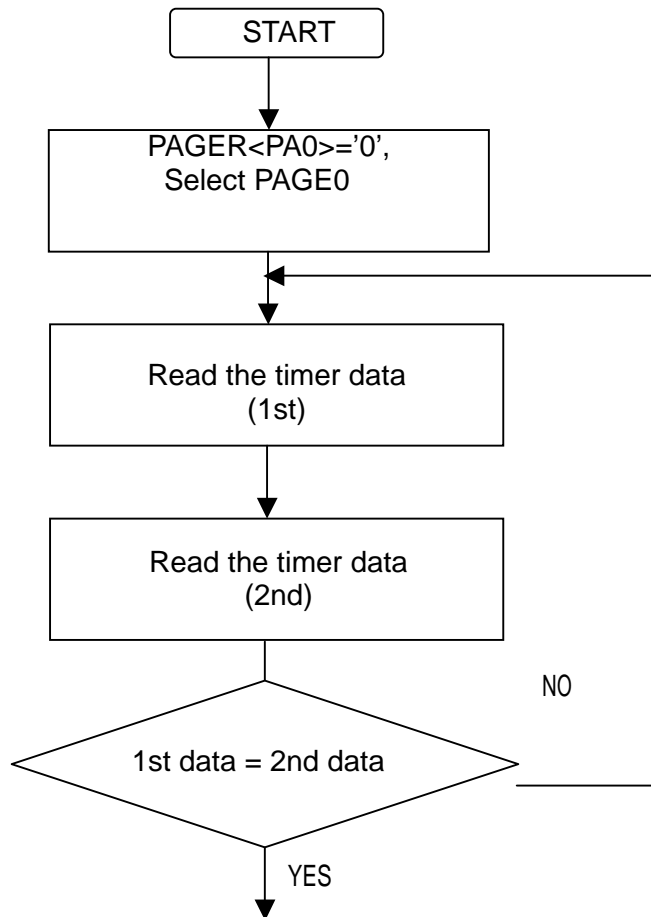
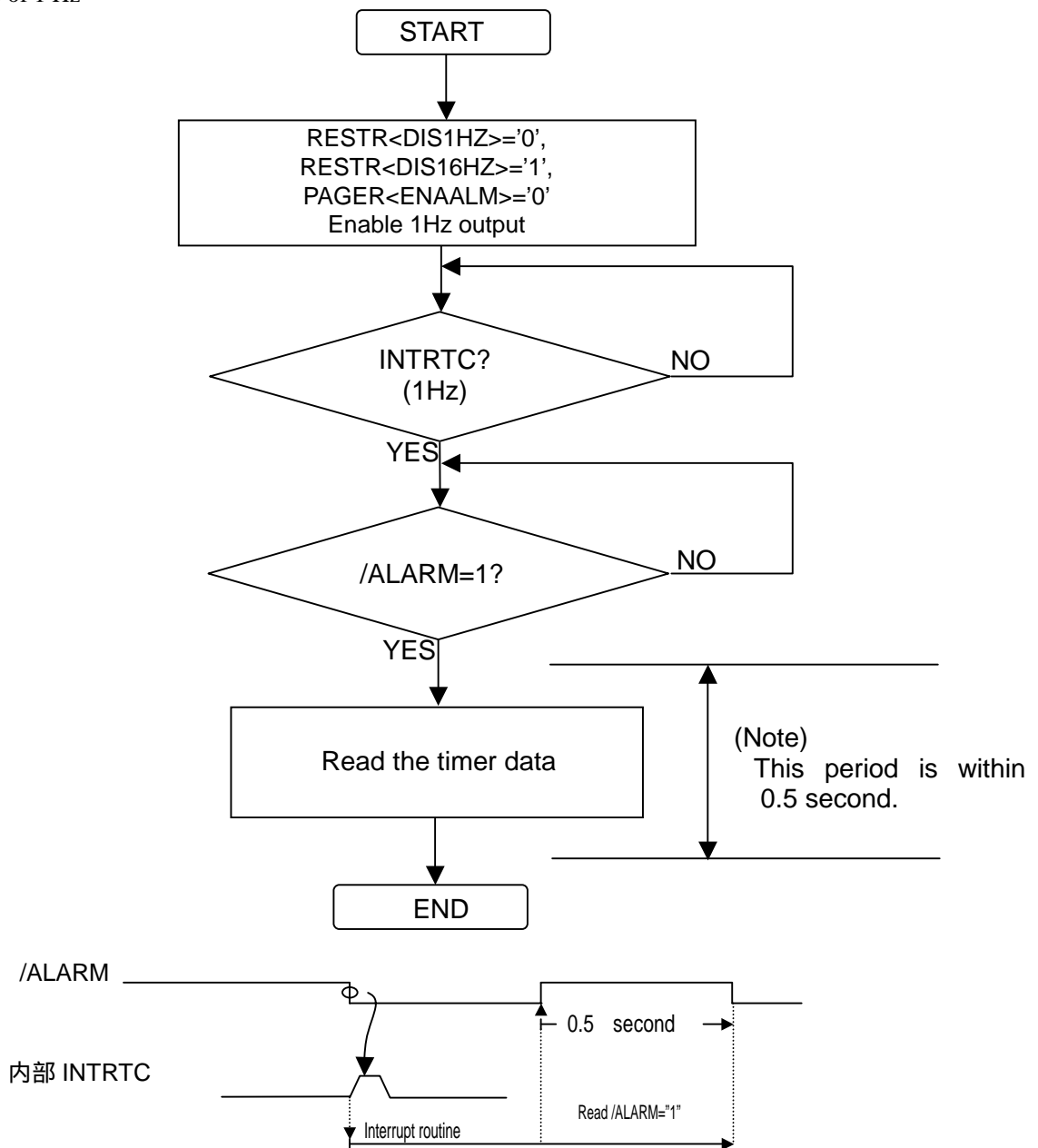


Figure 3.13(2) Flowchart of timer data read

END

Readout of timer data that used /ALARM output

Timer data can be read with rising edge of /ALARM output by detecting /ALARM='1' with interrupt routine of INTRTC of 1 Hz



The reason why read a timer of RTC after reading PORT in interrupt routine of /ALARM=1 is that carry of RTC timer occurs with rising edge of pulse period of 1 Hz. By reading timer during 0.5second after carry happening, right data (a timer value) can be read.

Figure3.11(3) Readout of the timer table used /ALARM output

## (2) Writing timer data

When there is carry on the way of write operation, expecting data can not be wrote exactly.

Therefore, in order to write in data exactly please follow the below way.

## Resetting a divider

In RTC inside, there are 15-stage dividers, which generates 1Hz clock from 32,768KHz. Carry of a timer is not done for one second when reset this divider. So write in data at this interval.

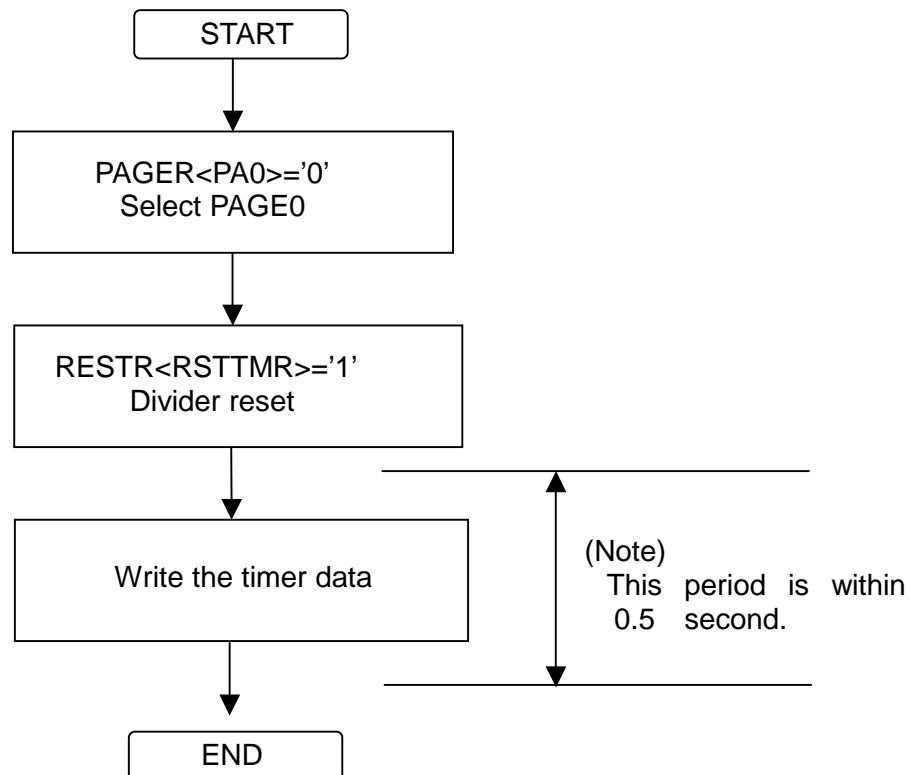


Figure 3.13(4) Flowchart of data write

### Disabling the timer

Carry of a timer is prohibited when write in '0' at PAGER<ENATMR> and can prevent malfunction by CLOCK HOLD circuit. During a timer prohibited, CLOCK HOLD circuits holds one sec. carry signal, which is generated from divider. After becoming timer enable state, output the carry signal to timer and revise time and continue operation. However, timer is late when timer-disabling state continues for one second or more. During timer disabling, pay attention with system power is downed. In this case the timer is stopped and time is delayed.

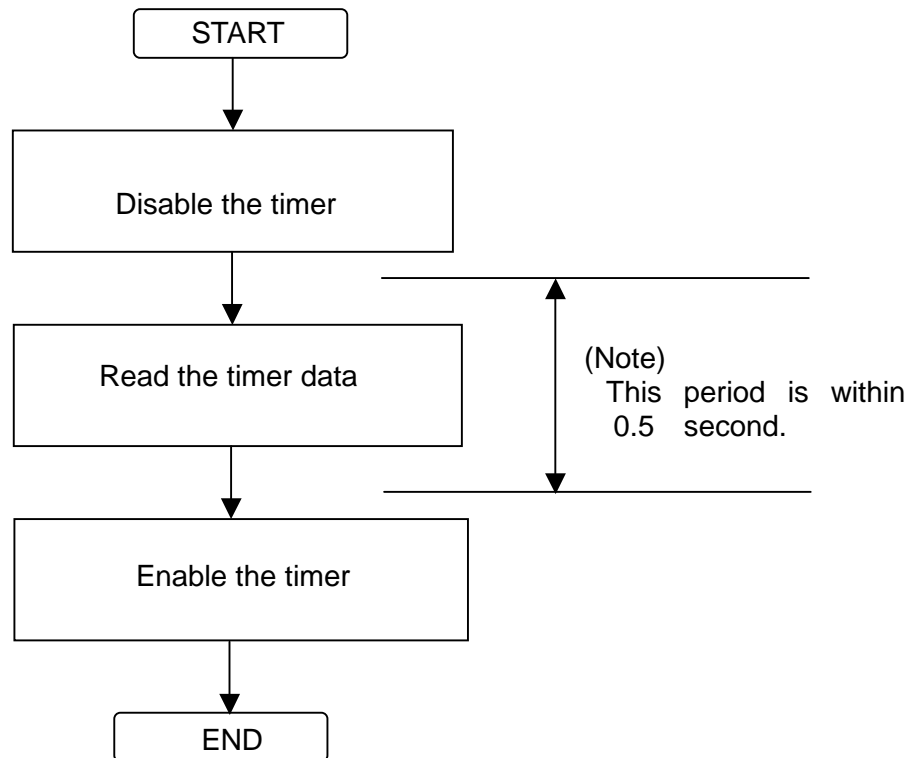


Figure 3.13(5) Flowchart of timer disable

## Explanation of the alarm function

Can use alarm function by setting of register of PAGE1 and output either of three signal to /ALARM pin as follows.

- (1) In accordance of alarm register and the timer, output '0'.
- (2) Output clock of 1Hz.
- (3) Output clock of 16Hz.

Resetting does not initialize RTC. So the case of using INTRTC, clear interrupt request flag INTERCKEY <IRC> after reset.

### (1) In accordance of alarm register and a timer, output '0'.

When value of a timer of PAGE0 accorded with alarm register of PAGE1 with a state of PAGER<ENAALM>='1', output '0' to /ALARM pin and occur INTRTC.

Follows are ways using alarm.

Initialization of alarm is done by writing in '1' at RESTR<RSTALM>, setting value of all alarm becomes don't care. In this case, always accorded with value of a timer and occur INTRTC interrupt if PAGER<ENAALM> is '1'.

Setting alarm min., alarm hour, alarm day and alarm the day week is done by writing in data at each register of PAGE1.

When all setting contents accorded, RTC generates INTRTC interrupt, if PAGER<ENAALM> is '1'. However, contents (don't care state) which does not set it up is considered to always accord.

The contents, which set it up once, cannot be returned to don't care state in independence. Initialization of alarm and resetting of alarm register are necessary.

Follows are example program at outputting alarm in noon (PM12: 00) every day

```
LD      (PAGER), 09H      ; Alarm disable, setting PAGE1
LD      (RESTR), D0H      ; Alarm initialize
LD      (MONTHR), 01H     ; 24-hour clock mode
LD      (HOURR), 12H      ; setting 12 o'clock
LD      (MINR), 00H       ; setting 00 min.
LD      (PAGER), 0CH      ; Alarm enable
```

### (2) When output clock of 1Hz

RTC outputs clock of 1Hz to /ALARM pin by setting up PAGER<ENAALM>='0', RESTR<DIS1HZ>='0', <DIS16HZ>='1'. And RTC generates INTRC interrupt by falling edge of the clock.

### (3) When output clock of 16Hz

RTC outputs clock of 16Hz to /ALARM pin by setting up PAGER<ENAALM>='0', RESTR<DIS1HZ>='1', <DIS16HZ>='0'. And RTC generates INTRC interrupt by falling edge of the clock.

### 3.14 LCD controller (LCDC)

The TMP91C820A incorporates two types liquid crystal display driving circuit for controlling LCD Driver LSI. One circuit handles a RAM built-in type LCD driver that can store display data in the LCD driver itself, and the other circuit handles a shift-register type LCD driver that must serially transfer the display data to LCD driver for each display picture.

- Shift-register type LCD driver control mode (SR mode)

Set the mode of operation, start address of source data save memory and LCD size to control register before setting start register.

After set start register LCDC outputs bus release request to CPU and read data from source memory. After that LCDC transmits data of volume of LCD size to external LCD driver through data bus. At this time, control signals connected LCD driver output specified waveform synchronizes with data transmission.

After finish data transmission, LCDC cancels the bus release request and CPU will re-start.

As the DISPLAY RAM, SDRAM burst mode can be used in TMP91C820A.

- RAM built-in type LCD driver control mode (RAM mode)

Data transmission to LCD driver is executed by move instruction of CPU.

After setting mode of operation to control register, when moves instruction of CPU is executed

LCDC outputs chip select signal to LCD driver connected to the outside from control pin (D1BSCP etc.) . Therefore control of data transmission numbers corresponding to LCD size is controlled by instruction of CPU.

This section is constituted as follows.

#### 3.14.1 Feature of LCDC of each mode

#### 3.14.2 Block Diagram

#### 3.14.3 SFR

#### 3.14.4 Shift- register type LCD driver control mode (SR mode)

##### 3.14.4.1 Operation

##### 3.14.4.2 Gray-scale mode Indication

##### 3.14.4.3 Memory mapping

##### 3.14.4.4 Hardware cursor

##### 3.14.4.5 Frame Signal Settlement

##### 3.14.4.6 Timing Charts of Interpreting Memory Codes

##### 3.14.4.7 Interface Examples at SR Mode

##### 3.14.4.8 Sample Program

#### 3.14.5 RAM built-in type LCD driver control mode (RAM mode)

##### 3.14.5.1 Operation

##### 3.14.5.2 Interface Examples at Internal RAM Mode

##### 3.14.5.3 Sample Program



## 3.14.1 Feature of LCDC of each mode

Each feature and operation of pin is as follows.

table 3.14.1 Feature of LCDC of each mode

		Shift- register type LCD driver control mode	RAM built-in type LCD driver control mode
The number of picture elements can be handled		Common(row):128,160,200,240,320,400,480 segment(column):128,160,240,320,480,560,640	There is not a limitation
Receive data bus width		16bits fixed	Depend on the setting of CS/WAIT Controller.
Transfer data bus width		8bits fixed	
Transfer rate (at $f_{FPH} = 36$ [MHz])		55ns/1word at SDRAM/BURST 111ns/1 word at SRAM	
External pins	LCD Data Bus: (LD7 to LD0)	Data bus; Connect with DI pin of segment driver.	Exclusive Data bus for LCD; Connect with DB pin of segment/common driver.
	Bus State	not used	Bus State; Connect with /WR pin of segment/common driver.
	Address Bus: (A0)	not used	Address 0; Connect with D/I pin of segment driver. When A0=1 data bus value means display data, when A0=0 data bus means instruction data.
	Shift Clock Pulse: (D1BSCP)	Shift clock pulses; Connect with SCP pin of segment driver. LCD driver latches data bus value by falling edge of this pin.	Chip enable for segment driver 1; Connect with /CE pin of segment driver 1.
	Latch Pulse: (D2BLP)	Latch pulses output; Connect with LP pin of segment/common driver. Display data is latched in output register in LCD driver by rising edge of this pin.	Chip enable for segment driver 2; Connect with /CE pin of segment driver 2.
	Frame: (D3BFR)	LCD frame output; Connect with FR pin of segment/common driver.	Chip enable for segment driver 3; Connect with /CE pin of segment driver 3.
	Cascade Pulse: (DLEBCD)	Cascade pulses output; Connect with DIO1 pin of row driver. These pin outputs 1 shot pulse by every D3BFR pin changes.	Chip enable for common driver; Connect with /LE pin of common driver.
	Display Off: (/DOFF)	Display off output; Connect with /DSPOF terminal of segment/common driver. " L " means display off and " H " means display on.	

3.14.2 Block Diagram

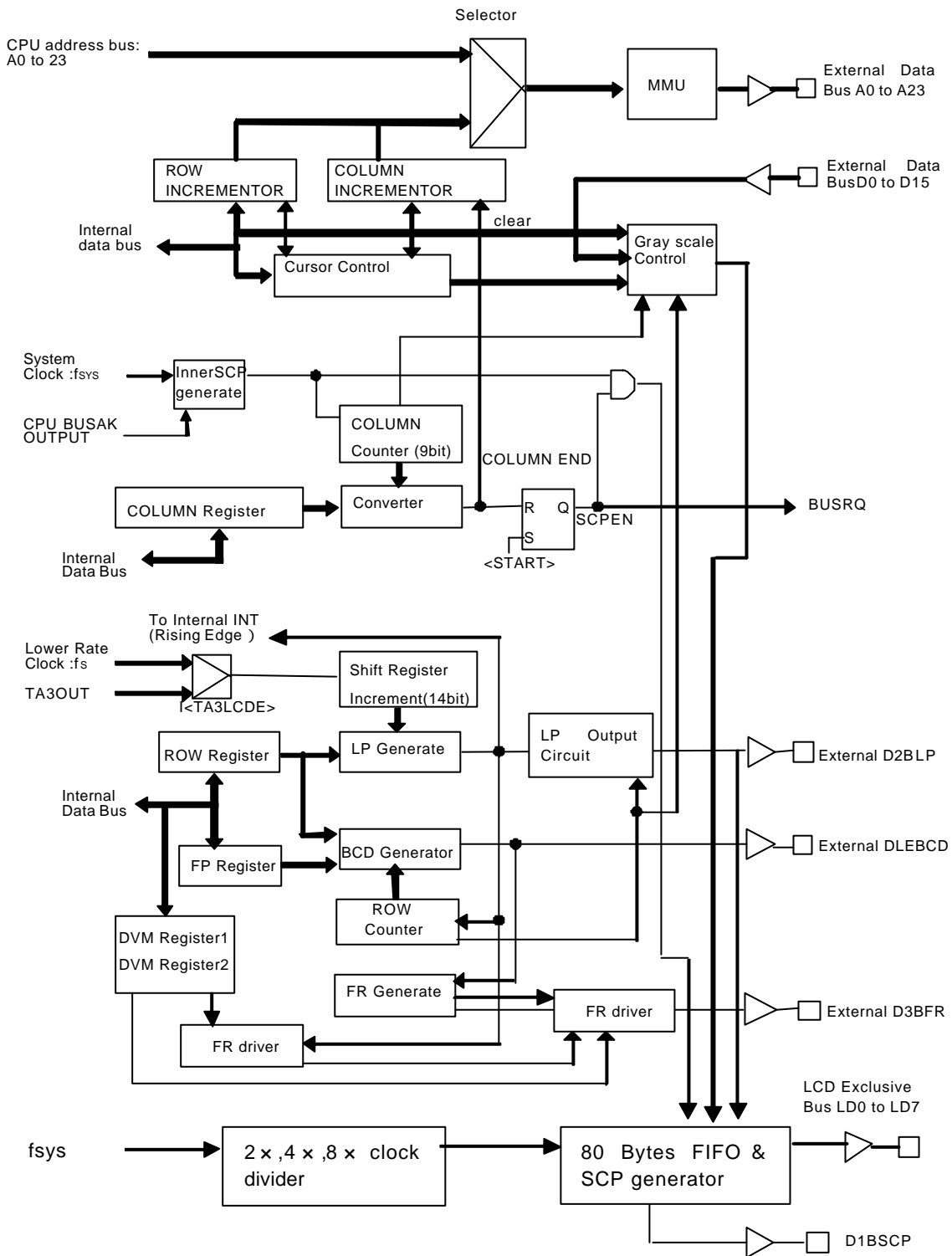


Figure 3.14.1 LCDC Block Diagram

(Note) : Row means common, and column means segment .

3.14.3 SFR

LCDMODE Register

		7	6	5	4	3	2	1	0
LCDMODE (04B0H)	bit Symbol	BAE	AAE	SCPW1	SCPW0	BUSRTW	BULK	RAMTYPE	MODE
	Read/Write	R/W	R/W	R/W	R/W	R/W	R/W	R/W	R/W
	After reset	0	0	1	0	0	0	0	0
	Function	Used by B AREA 0:Disable 1:Enable	Used by A AREA 0:Disable 1:Enable	00:BaseSCP 01: 2-clock 10: 4-clock 11: 8-clock		Always fixed to "0"		SDRAM BULK 0: 64Mbit 1:128Mbit	Display RAM 0: SRAM 1: SDRAM

Note1: <BULK> is effective only if "1" is set to <RAMTYPE> .

Note2: SCPW[1:0] is introduced in sect. 3.14.4.6.

Divide FRM Register

		7	6	5	4	3	2	1	0
LCDDVM (04B1H)	bit Symbol	FMN7	FMN6	FMN5	FMN4	FMN3	FMN2	FMN1	FMN0
	Read/Write	R/W							
	After Reset	0							
	Function	Setting DVM bit7-0							

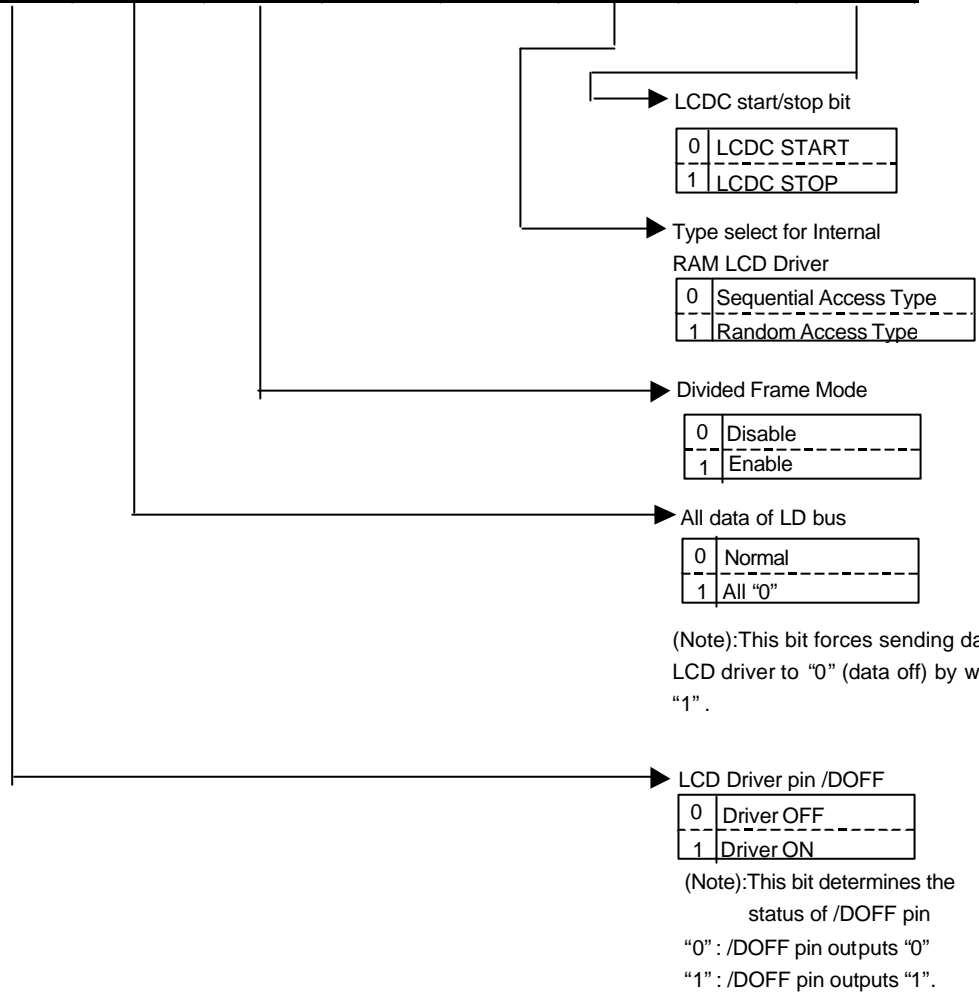
LCD Size Setting Register

		7	6	5	4	3	2	1	0
LCDSIZE (04B2H)	bit Symbol	COM3	COM2	COM1	COM0	SEG3	SEG2	SEG1	SEG0
	Read/Write	R/W	R/W	R/W	R/W	R/W	R/W	R/W	R/W
	After Reset	0	0	0	0	0	0	0	0
	Function	Setting the LCD Common number for SR Mode				Setting the LCD Segment Number for SR Mode			
	0000 : 128	0101 : 400			0000 : 128	0101 : 480			
	0001 : 160	0110 : 480			0001 : 160	0110 : 560			
	0010 : 200				0010 : 240	0111 : 640			
	0011 : 240				0011 : 320				
	0100 : 320			other : reserved	0100 : 400			other : reserved	

LCD Control Register

LCDCTL  
(04B3H)

	7	6	5	4	3	2	1	0
bit Symbol	LCDON	ALL0	FRMON	TEST	FP9	MMULCD	FP8	START
Read/Write	R/W	R/W	R/W	R/W	R/W	R/W	R/W	R/W
After Reset	0	0	0	0	0	0	0	0
Function	/DOFF Pin 0: disp off 1: disp on	Transfer data of LD bus 0: normal 1: All display data '0'	Divided FR mode 0: disable 1: enable	Always "0" write	Setting bit9 for fFP [9:0]	Specify Address of LCD Driver with Built-in RAM 0: Sequential 1: Random	Setting bit8 for fFP [9:0]	Start Control in SR Mode 0: STOP 1: START



LCD fFP Register

	7	6	5	4	3	2	1	0
bit Symbol	FP7	FP6	FP5	FP4	FP3	FP2	FP1	FP0
Read/Write	R/W							
After Reset	0							
Function	Setting bit7-0 for f FP							

LCDFFP  
(04B4H)

LCD Gray Level Setting register

	7	6	5	4	3	2	1	0
bit Symbol							GRAY1	GRAY0
Read/Write							R/W	
After Reset							0	0
Function							00: monochrome 01: 4 levels 10: 8 levels 11: 16 levels	

LCDGL  
(04B5H)

Table 3.14.2 LCD Start/End Address register

	Start Address register			End Address register		
	H (bit23-16)	M (bit15-8)	L (bit7-0)	H (bit23-16)	M (bit15-8)	L (bit7-0)
A-area	LSARAH (04C1H) 40H	LSARAM (04C0H) 00H	-	LEARAH (04C3H) 40H	LEARAM (04C2H) 00H	-
B-area	LSARBH (04C5H) 40H	LSARBM (04C4H) 00H	-	LEARBH (04C7H) 40H	LEARBM (04C6H) 00H	-
C-area	LSARCH (04CAH) 40H	LSARCM (04C9H) 00H	LSARCL (04C8H) 00H	-	-	-

(note) All registers are available for R(Read)/W(Write) .

LCD Cursor Setting Register

	7	6	5	4	3	2	1	0
bit Symbol	CDE	CCS					CBE1	CBE0
Read/Write	R/W	R/W					R/W	R/W
After Reset	0	0					0	0
Function	Cursor 0:off 1:on	Cursor Color 0: White 1:Black					Cursor Blink interval (at XT1 : 32kHz) 00: Don't Blink 01:2Hz 10:1Hz 11:0.5Hz	

(note1) : The function of cursor blink is effective only when low frequency oscillator is input.

(note2) :The function of cursor blink depends on the low frequency oscillator even if you use timer out"TA3OUT" as LCDCK.

LCD Cursor Width Setting Register

	7	6	5	4	3	2	1	0
bit Symbol				CW4	CW3	CW2	CW1	CW0
Read/Write				R/W	R/W	R/W	R/W	R/W
After reset				0	0	0	0	0
Function				Cursor width (X size) 00000: 1 dot (MIN) 11111: 32dots (MAX)				

LCD Cursor Height Setting Register

	7	6	5	4	3	2	1	0
bit Symbol				CH4	CH3	CH2	CH1	CH0
Read/Write				R/W	R/W	R/W	R/W	R/W
After reset				0	0	0	0	0
Function				Cursor height (Y size) 00000: 1 dot (MIN) 11111: 32dots (MAX)				

LCD Cursor Start Address setting register

	7	6	5	4	3	2	1	0	
LCD CPL (04BAH)	bit Symbol	CAP 7	CAP 6	CAP 5	CAP 4	CAP 3	CAP 2	CAP 1	CAP 0
	Read/Write	R/W	R/W	R/W	R/W	R/W	R/W	R/W	R/W
	After Reset	0	0	0	0	0	0	0	0
	Function	Setting bit7-0 for cursor start address							

LCD Cursor Start Address setting register

	7	6	5	4	3	2	1	0	
LCD CPM (04BBH)	bit Symbol	CAP 15	CAP 14	CAP 13	CAP 12	CAP 11	CAP 10	CAP 9	CAP 8
	Read/Write	R/W	R/W	R/W	R/W	R/W	R/W	R/W	R/W
	After Reset	0	0	0	0	0	0	0	0
	Function	Setting bit15-8 for cursor start address							

LCD Cursor Start Address setting register

	7	6	5	4	3	2	1	0	
LCD CPH (04BCH)	bit Symbol	CAP 23	CAP 22	CAP 21	CAP 20	CAP 19	CAP 18	CAP 17	CAP 16
	Read/Write	R/W	R/W	R/W	R/W	R/W	R/W	R/W	R/W
	After Reset	0	1	0	0	0	0	0	0
	Function	Setting bit21-16 for cursor start address							

LCD Cursor Hot Point pixel number (bit correction) Setting Register

	7	6	5	4	3	2	1	0
LCD CP (04B9H)	bit Symbol				APB 3	APB 2	APB 1	APB 0
	Read/Write				R/W			
	After Reset				0			
	Function				Setting bit3-0 of pixel for correction of Hot Point (for 1-dot correction)			

LCDC1L,LCDC1H,LCDC2L,LCDC2H,LCDC3L,LCDC3H,LCDC4L,LCDC4H Register

	7	6	5	4	3	2	1	0
bit Symbol	D7	D6	D5	D4	D3	D2	D1	D0
Read/Write	Depend on the specification of external LCD driver							
After reset	Depend on the specification of external LCD driver							
Function	Depend on the specification of external LCD driver							

These registers do not exist on TMP91C820A. These are image for instruction registers and display registers of external RAM built-in sequential access type LCD driver.

Address as Table 3.14.3 is assigned to these registers, and the following chip enable pin becomes active when accesses corresponding address.

And, the area of these address is external area, so /RD,/WR terminal becomes active by external access.

Table 3.14.4 shows the address map in the case of controlling RAM built-in random access type LCD driver.

The explanation part of MMU circuit also explains this. This setup is performed by LCDCTL <MMULCD>.

Table 3.14.3 Memory mapping for built-in RAM sequential access type.

Register	Address	Purpose Sequential access type		Chip enable terminal	A0 terminal
LCDC1L	0FE0H	RAM built-in type driver 1	Instruction	D1BSCP	0
LCDC1H	0FE1H		Display data		1
LCDC2L	0FE2H	RAM built-in type driver 2	Instruction	D2BLP	0
LCDC2H	0FE3H		Display data		1
LCDC3L	0FE4H	RAM built-in type driver 3	Instruction	D3BFR	0
LCDC3H	0FE5H		Display data		1
LCDR1L	0FE6H	RAM built-in type driver 4	Instruction	DLEBCD	0
LCDR1H	0FE7H		Display data		1



Table 3.14.4 Memory mapping for built-in RAM random access type

Address	Purpose Random access type	Chip enable terminal
3C0000H ~ 3CFFFFH	RAM built-in type driver 1	D1BSCP
3D0000H ~ 3DFFFFH	RAM built-in type driver 2	D2BLP
3E0000H ~ 3EFFFFH	RAM built-in type driver 3	D3BFR
3F0000H ~ 3FFFFFFH	RAM built-in type driver 4	DLEBCD

note1: We call built-in RAM sequential access type LCD driver that use register to access to display-ram without address.(Ex. T6B65A,T6C84 etc: mar/2000)

note2: We call built-in RAM random access type LCD driver that is same method to access to SRAM.(Ex.T6C23,T6K01 etc: mar/2000)

### 3.14.4 Shift- register type LCD driver control mode (SR mode)

#### 3.14.4.1 Operation

Set the mode of operation, start address of source data save memory, gray-scale level and LCD size to control registers before setting start register.

After set start register LCDC outputs bus release request to CPU and read data from source memory. After that LCDC transmits data of volume of LCD size to external LCD driver through LD bus(LCD personal bus). At this time, control signals (DIBSCP etc.) connected LCD driver output specified waveform synchronizes with data transmission. After finish data transmission, LCDC cancels the bus release request and CPU will re-start.

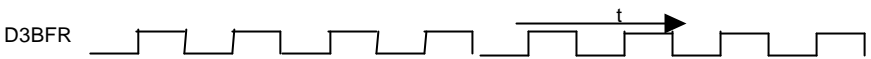
**NOTE: SR mode LCDC, during data reading (during DMA operation), CPU is stopped by internal BUSREQ signal. When using SR mode LCDC, programmer need to care the CPU stop time. For detail, see the Table 3.14.8.**

3.14.4.2 Gray-scale mode Indication

Monochrome, 4, 8 and 16 Gray-scale mode can be selected by setting LCDGL<GRAY1: 0>. And when SDRAM mode, you can select the size of SDRAM by setting (LCDMODE)<BULK>.

TMP91C820A realize gray scale display by thinning out the frame . Gray scale control palette is defined by 16bit register (LGnL/H) shown in Table 3.14.5. Palette is selected according to the gray scale level(monochrome,4,8,16gray) for use.(cf. Table 3.14.6). ON/OFF for data of each level (i.e. each density ) can modify by 16bit register (LGnL/H). However each register of palette has a initial value , it is possible to adjust finely which matches to LCD driver you use and the characteristic of LCD panel.

Table 3.14.5 Gray scale control palette default setting



Level Code	Density	Data setting register (Address/ After reset)	bit0	1	2	3	4	5	6	7	8	9	10	11	12	13	14	15
F	16/16	LGfH/L (04EF-E/FFFFH)																
E	14/16	LGEH/L (04ED-C/FDFDH)																
D	13/16	LGdH/L (04EB-A/FDDDH)																
C	12/16	LGcH/L (04E9-8/DDDDH)																
B	11/16	LGBH/L (04E7-6/DDD5H)																
A	10/16	LGAH/L (04E5-4/D5D5H)																
9	9/16	LG9H/L (04E3-2/D555H)																
8	8/16	LG8H/L (04E1-0/AAAAH)																
7	7/16	LG7H/L (04DF-E/8AAAH)																
6	6/16	LG6H/L (04DD-C/8A8AH)																
5	5/16	LG5H/L (04DB-A/888AH)																
4	4/16	LG4H/L (04D9-8/8888H)																
3	3/16	LG3H/L (04D7-6/8880H)																
2	2/16	LG2H/L (04D5-4/8080H)																
1	1/16	LG1H/L (04D3-2/8000H)																
0	0/16	LG0H/L (04D1-0/0000H)																

: Display On, : Display Off

Table 3.14.6 Gray scale control palette effective registers for each Gray-level

	LG0	LG1	LG2	LG3	LG4	LG5	LG6	LG7	LG8	LG9	LGA	LGB	LGC	LGD	LGE	LGE
	L/H	L/H	L/H	L/H	L/H	L/H	L/H	L/H	L/H	L/H	L/H	L/H	L/H	L/H	L/H	L/H
16 Gray-level																
8 Gray-level		x		x		x		x		x		x		x	x	
4 Gray-level		x	x	x		x	x	x		x	x	x	x	x	x	
mono																

x : don't care , : effective.

3.14.4.3 Memory mapping

The LCDC can display the LCD panel image which is divided horizontally into 3 parts ; upper , middle and lower. Each area calls A , B and C area that has some characteristics showing below.

Start/End address of each area in the physical memory space can be defined in the LCD Start/End address registers( see Table 3.14.2). (C area can be defined only start address.)

A and B areas are programmable visibility and they are set enable or not in LCDMODE register. When A and B area are disable , the C area take over all panel space.

When the size of A or B area is greater than LCD panel, the area of the panel is all C area because the displaying priority is  $A > B > C$ . If the A area set to enable while the panel area is defined as all C area (that is A and B area are disable) , C area is shifted to under the LCD panel and A area is inserted from the top of the LCD panel .Similarly if the B area set to enable while the panel area is defined as all C area , B area is inserted from the bottom of the C area overlapping .

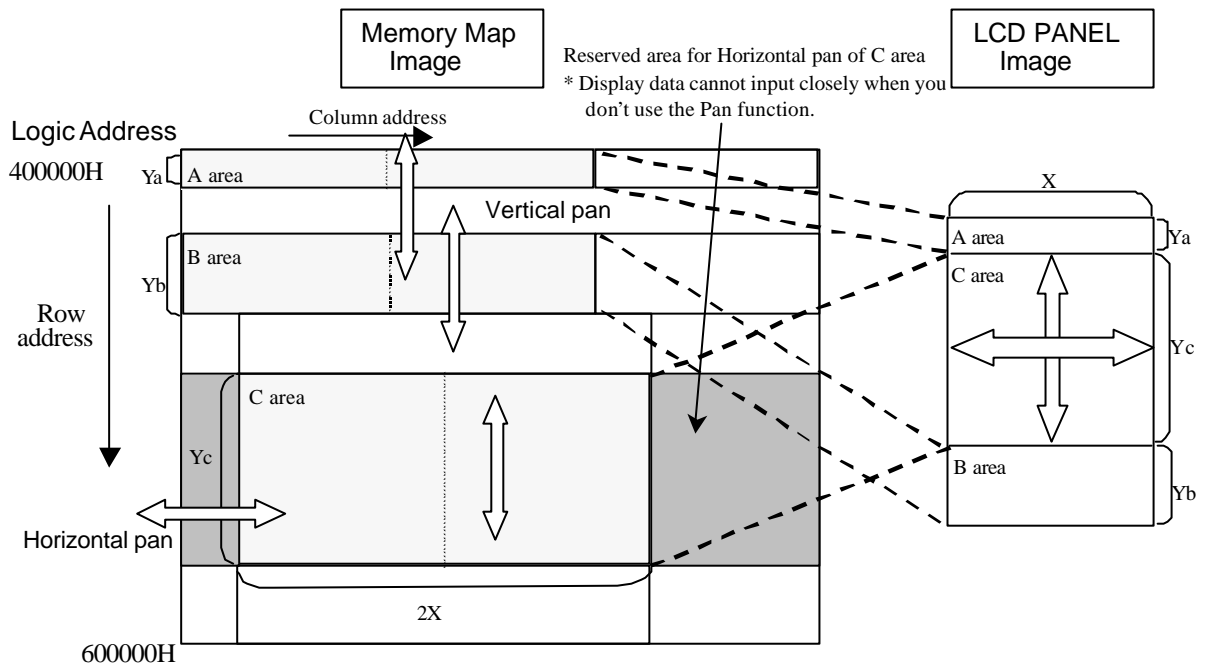


Figure 3.14.2 Memory mapping from physical memory to LCD panel

Display memory mapping and Panning Function

LCDC can change the panel window if only you change each start address of A, B and C area. A and B area can be vertical panned by changing row address. While C area can be vertical and horizontal panned by changing row and column address.

An important thing is that display data from one line to the next line, cannot be input continuously even if you don't use the panning function. One Row address of display RAM corresponds to 1'st line of display panel. Now display data of 2'nd line cannot be set within the 1'st row address of display RAM even if the necessary data for the size you want to display do not fill the capacity of 1'st row address of display RAM. Adding the one line to display panel is equal to adding one address to row address of display RAM.

And another important thing is, this limitation is also for SRAM as display RAM without address multiplex. When you use SDRAM as display RAM, you can select the size for display RAM capacity of one line. But in case of using SRAM, display RAM capacity of one line is fixed to 512bytes.

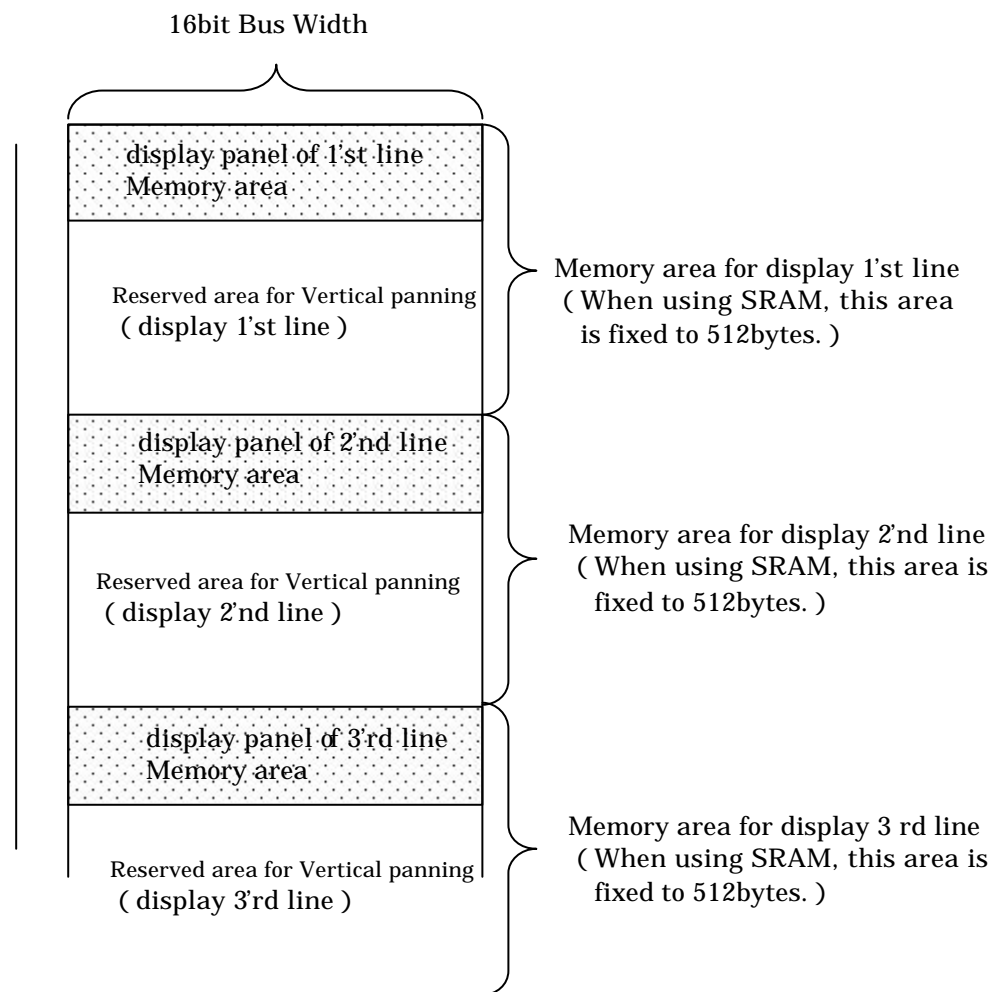


Figure 3.14.3 Memory mapping image for SRAM as display RAM

TMP91C820A can select four display scale ; monochrome , 4gray , 8gray and 16gray. With the intrinsic property of gray levels, a pixel is decoded in each gray level from different memory size.

A pixel is equal to a bit in memory for monochrome, while a pixel is equal to 2 bits in memory for 4-gray, 3 bits for 8-gray and 4 bits for 16-gray. Therefore when the 4gray mode , column address in the memory needs twice data capacity as large as dots that is displayed in the LCD panel actually showing Figure 3.14.4. Place for display data setting has some differences for each gray scale or sort of memory.

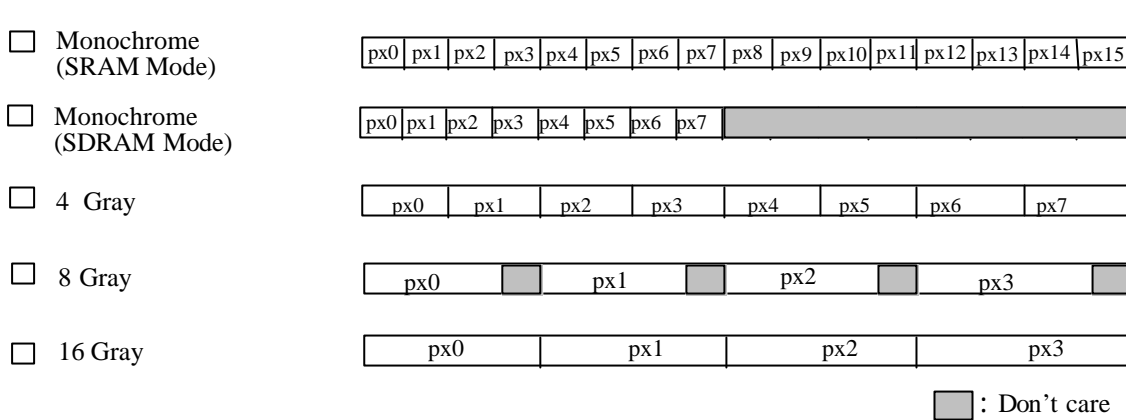


Figure 3.14.4 Memory codes for each gray level in a read cycle (16 bits)

And “px” in above Figure 3.14.4 corresponds to the image of LCD panel as below (Figure 3.14.5).But TMP91C820A outputs data of px0 from PE7(LD7), and data of px7 from PE0(LD0). Therefore PE0(LD0) should be connected to the MSB of LCD driver (e.g.DI7) according to LCD driver you use. Please note that the way TMP91C820A outputs the data differs from LCD controller built in 900/L1 Series of TOSHIBA (e.g. TMP91C815,TMP91C016,TMP91C025 etc.) .

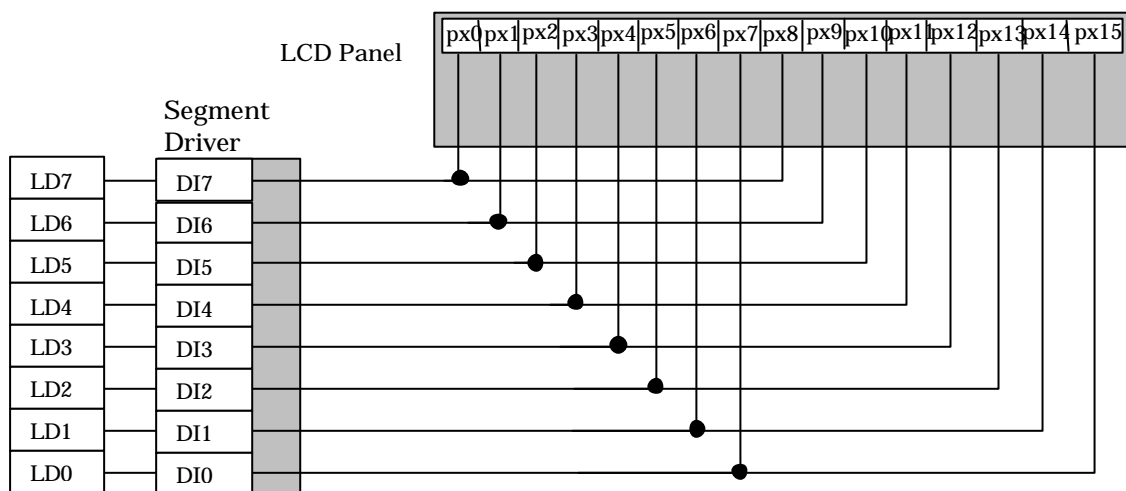


Figure 3.14.5 Connection between LCD bus of TMP91C820A and data bus of LCDD

3.14.4.4 Hardware cursor

TMP91C820A has a cursor that is blinking interval, color and size can be specified, and maximum size is 32 x 32.

A programmer can control the cursor attributes easily by filling those cursor registers, for example color (white/black), blinking interval time, size and precise pixel location. Its space location is specified by left-up hot point. (see the Figure 3.14.6)

The precise location of the hot point is determined by memory address (LCDCPH,M,L) and bit correction number(LCDCP). For example, however 1 pixel for displaying needs 2 bits of setting data under 4gray mode, you can correct the location of Hot Point every 1 bit by setting pixel number which you want to move in the register (LCDCP).

Cursor image is showed under the setting A,B,C area are enable, 4gray mode, start address =410004\_hex and correction bit (LCDCP)=3\_hex in the following figure.

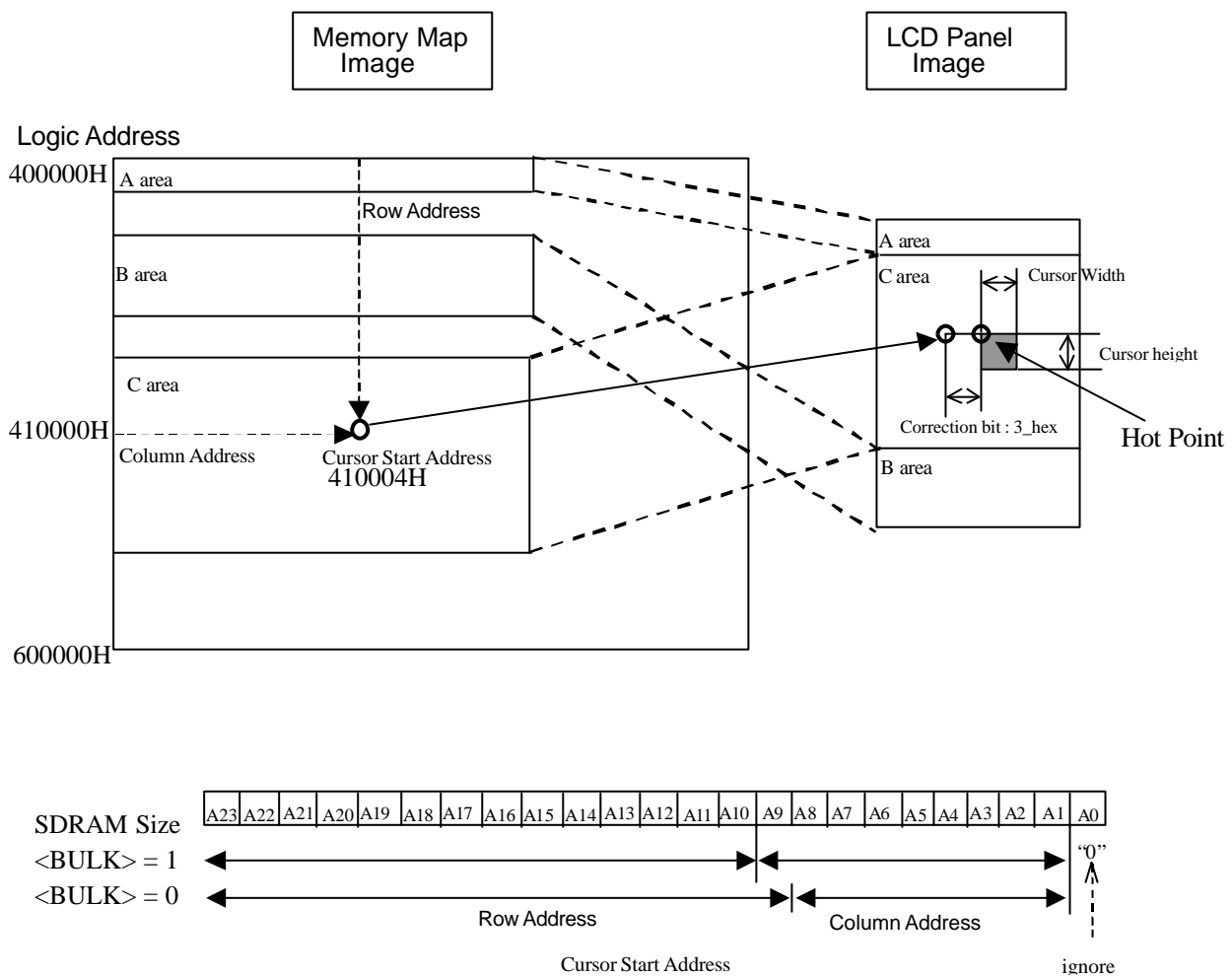


Figure 3.14.6 Cursor hot point position and size

(Note) : If panning function is set to enable during hardware cursor displaying, the cursor moves with the data in the memory. Because TMP91C820A sets the hardware cursor in the memory address.

LCD Cursor Setting Register

	7	6	5	4	3	2	1	0
bit Symbol	CDE	CCS					CBE1	CBE0
Read/Write	R/W	R/W					R/W	R/W
After Reset	0	0					0	0
Function	Cursor 0:off 1:on	Cursor Color 0: White 1:Black					Cursor Blink interval (at XT1 : 32kHz) 00: Don't Blink 01:2Hz 10:1Hz 11:0.5Hz	

(note1) : The function of cursor blink is effective only when low frequency oscillator is input.

(note2) :The function of cursor blink depends on the low frequency oscillator even if you use timer out“TA3OUT” as LCDCK.

LCD Cursor Width Setting Register

	7	6	5	4	3	2	1	0
bit Symbol				CW4	CW3	CW2	CW1	CW0
Read/Write				R/W	R/W	R/W	R/W	R/W
After reset				0	0	0	0	0
Function				Cursor width (X size) 00000: 1 dot (MIN) 11111: 32dots (MAX)				

LCD Cursor Height Setting Register

	7	6	5	4	3	2	1	0
bit Symbol				CH4	CH3	CH2	CH1	CH0
Read/Write				R/W	R/W	R/W	R/W	R/W
After reset				0	0	0	0	0
Function				Cursor height (Y size) 00000: 1 dot (MIN) 11111: 32dots (MAX)				

LCD Cursor Start Address setting register

	7	6	5	4	3	2	1	0
bit Symbol	CAP 7	CAP 6	CAP 5	CAP 4	CAP 3	CAP 2	CAP 1	CAP 0
Read/Write	R/W	R/W	R/W	R/W	R/W	R/W	R/W	R/W
After Reset	0	0	0	0	0	0	0	0
Function	Setting bit7-0 for cursor start address							

LCD Cursor Start Address setting register

	7	6	5	4	3	2	1	0
bit Symbol	CAP 15	CAP 14	CAP 13	CAP 12	CAP 11	CAP 10	CAP 9	CAP 8
Read/Write	R/W	R/W	R/W	R/W	R/W	R/W	R/W	R/W
After Reset	0	0	0	0	0	0	0	0
Function	Setting bit15-8 for cursor start address							

LCD Cursor Start Address setting register

	7	6	5	4	3	2	1	0
bit Symbol	CAP 23	CAP 22	CAP 21	CAP 20	CAP 19	CAP 18	CAP 17	CAP 16
Read/Write	R/W	R/W	R/W	R/W	R/W	R/W	R/W	R/W
After Reset	0	1	0	0	0	0	0	0
Function	Setting bit21-16 for cursor start address							



LCD Cursor Hot Point pixel number (bit correction) Setting Register

	7	6	5	4	3	2	1	0
LDCDCP (04B9H)	/				APB 3	APB 2	APB 1	APB 0
bit Symbol								
Read/Write					R/W			
After Reset					0			
Function					Setting bit3-0 of pixel for correction of Hot Point (for 1-dot correction)			

In case of monochrome (SRAM mode)

0000: 0 Pixel correct  
1111: 15 Pixels correct

In case of monochrome (SDRAM mode) and 4gray

x000: 0 Pixel correct  
x001: 1 Pixel correct  
x010: 2 Pixels correct  
x011: 3 Pixels correct

x100: 4 Pixels correct  
x101: 5 Pixels correct  
x110: 6 Pixels correct  
x111: 7 Pixels correct

In case of 8 and 16gray

xx00: 0 Pixel correct  
xx01: 1 Pixel correct

xx10: 2 Pixels correct  
xx11: 3 Pixels correct

X : don't care

Here , it is possible to correct the cursor per 1bit from the start address set before. Pixel number should be adjusted in response to the gray mode setting showing above.

For example , When 4gray and 16bit BUS mode, correction should be less than 7 because the smallest pixel is 8 pixels that can set by start address setting. Similarly correction pixel should be less than 15 at monochrome mode , 3 at 8 or 16 gray mode.

(Ex.)When Monochrome mode, correction value is (LDCDCP)=011\_hex,and cursor size=(8x8)

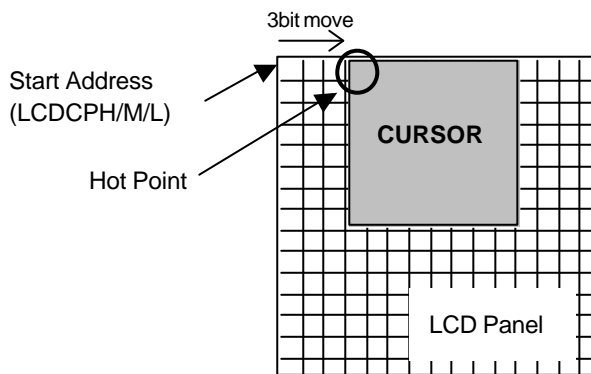


Figure 3.14.7 The location Hot Point by setting of pixel

3.14.4.5 Frame Signal Settlement

TMP91C820A defines so-called frame period (refresh interval for LCD panel) by the value set in fFP[9:0]. DLEBCD pin outputs pulse every frame period. DLEBFR pin usually outputs the signal inverts polarity every frame period.

And TMP91C820A has a special function that can set the timing of inverting frame polarity irrelevant to above frame frequency for the purpose of preventing the patches of display.

LCD Control Register

		7	6	5	4	3	2	1	0
LCDCTL (04B3H)	bit Symbol	LCDON	ALL0	FRMON	TEST	FP9	MMULCD	FP8	START
	Read/Write	R/W	R/W	R/W	R/W	R/W	R/W	R/W	R/W
	After Reset	0	0	0	0	0	0	0	0
	Function	/DOFF Port 0: disp off 1: disp on	Setting All column Ports to 0 0: normal 1: All display data '0'	Divided FR mode 0: disable 1: enable	Always "0" write	Setting bit9 for fFP [9:0]	Specify Address Of LCD Driver with Built-in RAM 0: OFF 1: ON	Setting bit8 for fFP [9:0]	Start Control in SR Mode 0: STOP 1: START

LCD fFP Register

		7	6	5	4	3	2	1	0
LCDFFP (04B4H)	bit Symbol	FP7	FP6	FP5	FP4	FP3	FP2	FP1	FP0
	Read/Write	R/W							
	After Reset	0							
	Function	Setting bit7-0 for f FP							

Divide FRM Register

		7	6	5	4	3	2	1	0
LCDDVM (04B1H)	bit Symbol	FMN7	FMN6	FMN5	FMN4	FMN3	FMN2	FMN1	FMN0
	Read/Write	R/W							
	After Reset	0							
	Function	Setting DVM bit7-0							

### (1) Settlement of Frame frequency function

Basic Frame period ; DLEBCD signal , is made according to the resister  $f_{FP}[9:0]$  setting mentioned before. However this  $f_{FP}[9:0]$  setting is generally equal to common number , frame period can be corrected by increasing  $f_{FP}[9:0]$  with ease. This function cannot correct frame frequency higher than that of Table 3.14.7. If it is necessary to set frame frequency higher or detailed , please refer to (3) Timer Out LCDCK .

The equation can calculate frame period .

$$\text{Frame period} = \text{LCDCK} / (D \times f_{FP}) \text{ [Hz]}$$

D: constant for each common(Table 3.14.7)  
 $f_{FP}$ : setting of  $f_{FP}[9:0]$  resister  
 LCDCK: source clock of LCD  
 ( low clock is usually selected )

Please select the value of  $f_{FP} [9:0]$  as the frame period you want to set in the Table 3.14.7.

(Note) : Please make the value set to  $f_{FP} [9:0]$  into the following range.

$$\text{COM(common number)} \quad \text{FR} \quad 1024$$

(EX.1) : In the case where frame period is set to 72.10Hz by 240coms .

$$f_{FP} = 240(\text{COM}) + 63 = 303 = 12\text{FH} \text{ ( by Table 3.14.7)}$$

Therefore, LCDCTL<FP8> = 1 and LCDFFP<FP7: 0> = 2FH are set up.

### (2) Frame Invert Adjustment Function

This mode can prevent the deterioration of display (e.g. patches of display ).(\*Note1) If N is set in (LCDDVM) resister while this function is set to enable in resister (LCDCTL)<FRMON> “1”, D3BFR pin outputs the signal inverted polarity every (D2BLP x N) timing.

If this function isn't necessary , D3BFR pin outputs the signal inverted polarity every frequency of DLEBCD pin after setting this function disable ((LCDCTL)<FRMON>="0").

And it is no change wave and timing for DLEBCD pin by LCDDVM setting.

(Note1) : Effects of this function have some differences as the LCD driver or LCD panel you use actually.

**(3) Timer Out LCDCK**

LCD source clock (LCDCK) can select low frequency (XT1,XT2 :32.768[KHz]) or timer out (TA3OUT) outputs from internal TMRA23.

(EX.2) : Here indicates the method that frame period is set 70[Hz] by selecting TA3OUT for source clock of LCD .(fc = 6[MHz] , 128COM)

The next equation calculates frame period.

$$\text{Frame period} = 1 / (t_{LP} \times f_{FP}) \text{ [Hz]} \quad t_{LP} : \text{The period of D2BLP}$$

Source clock for LCDCK defines as XT[Hz] and then this  $t_{LP}$  represents

$$t_{LP} = D / XT \quad D : \text{the value is 3 at 128COM}$$

Therefore if you set the frame period at 70[Hz] under 128 COM,

$$\begin{aligned} XT &= 128 \times 3.5 \times 70 \\ &= 26880 \text{ [Hz]} \end{aligned}$$

XT should be above value .

In order to make XT=26880[Hz] under fc= 6[MHz]with T1 of timer3,

$$1 / XT = T3 \times 2 \times 8 / fc \text{ [s]} \quad T3: \text{the value of timer resistor (TA3REG)}$$

in short,  $XT = fc / (T3 \times 2 \times 8) \text{ [Hz]}$

However T3=(TA3REG) is 13.95 after calculate , it's impossible to set the value under a decimal point.

So if (TA3REG) is set 0DH ,  $XT = 28846 \text{ [Hz]}$ . And because of D=3,

$$\begin{aligned} \text{Frame period} &= 28846 / (128 \times 3) \\ &= 75.12 \text{ [Hz]} \end{aligned}$$

Further if fFP is 136(COM+8) with correction,

$$\begin{aligned} \text{Frame period} &= 28846 / (136 \times 3) \\ &= 70.70... \text{ [Hz]} \end{aligned}$$

(Reference) : To maintain quality for display , please refer to following value for each gray scale.

(You have to use settlement of frame frequency function , frame invert adjustment function and timer out LCDCK .)

Monochrome : Frame period =70[Hz]

4/8/16 gray : Frame period = 140[Hz]

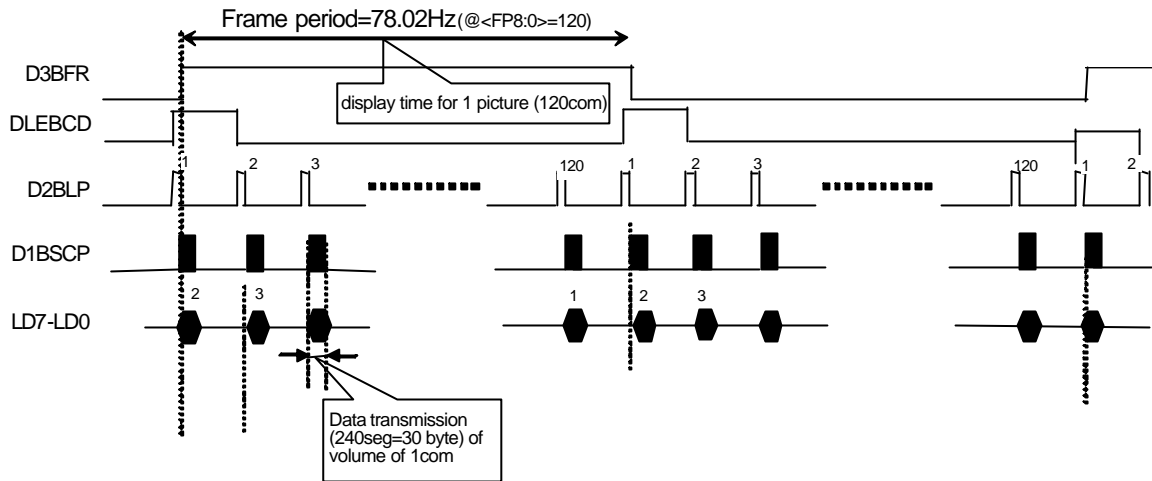


Figure 3.14.8 Timing diagram for SR mode

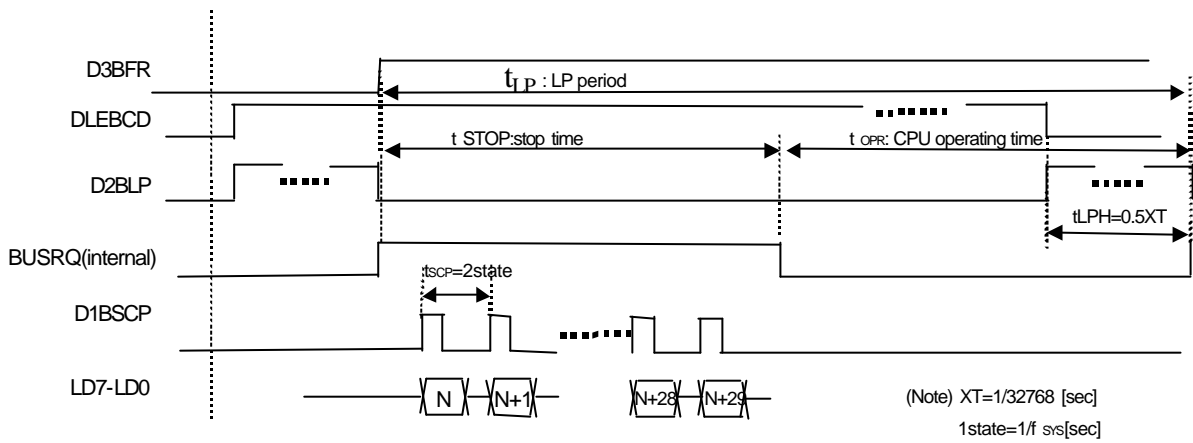


Figure 3.14.9 Timing diagram for SR mode (detail)

D3BFR waveform (in case of 240-row+63 (FFP) and LCDDVM<math>\langle FMN7:0 \rangle = 0B\_{hex}</math>)

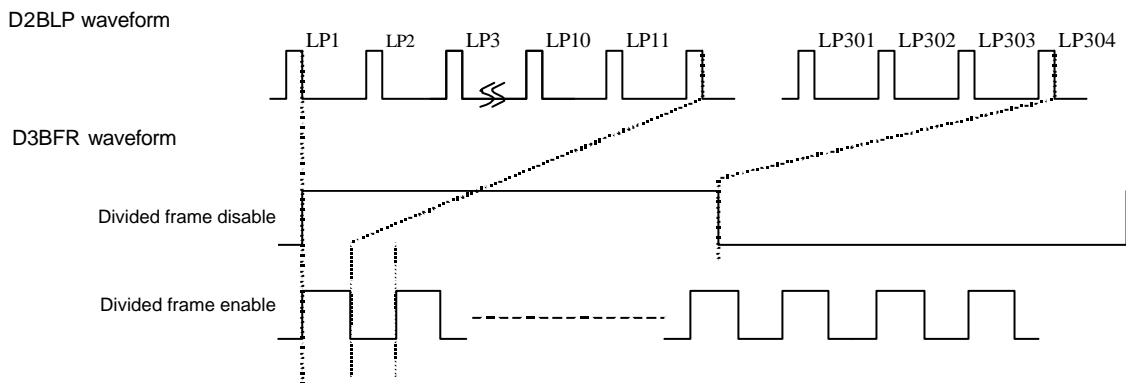


Figure 3.14.10 D2BLP and D3BFR waveform

Table 3.14.7  $f_{FP}$  table for each common number.(1/2)

D	3	2.5	2	1.5	1.5	1	1
COM	128	160	200	240	320	400	480
COM+0	85.33	81.92	81.92	91.02	68.27	81.92	68.27
COM+1	84.67	81.41	81.51	90.64	68.05	81.72	68.12
COM+2	84.02	80.91	81.11	90.27	67.84	81.51	67.98
COM+3	83.38	80.41	80.71	89.90	67.63	81.31	67.84
COM+4	82.75	79.92	80.31	89.53	67.42	81.11	67.70
COM+5	82.13	79.44	79.92	89.16	67.22	80.91	67.56
COM+6	81.51	78.96	79.53	88.80	67.01	80.71	67.42
COM+7	80.91	78.49	79.15	88.44	66.81	80.51	67.29
COM+8	80.31	78.02	78.77	88.09	66.60	80.31	67.15
COM+9	79.73	77.56	78.39	87.73	66.40	80.12	67.01
COM+10	79.15	77.10	78.02	87.38	66.20	79.92	66.87
COM+11	78.58	76.65	77.65	87.03	66.00	79.73	66.74
COM+12	78.02	76.20	77.28	86.69	65.80	79.53	66.60
COM+13	77.47	75.76	76.92	86.35	65.60	79.34	66.47
COM+14	76.92	75.33	76.56	86.01	65.41	79.15	66.33
COM+15	76.38	74.90	76.20	85.67	65.21	78.96	66.20
COM+16	75.85	74.47	75.85	85.33	65.02	78.77	66.06
COM+17	75.33	74.05	75.50	85.00	64.82	78.58	65.93
COM+18	74.81	73.64	75.16	84.67	64.63	78.39	65.80
COM+19	74.30	73.22	74.81	84.34	64.44	78.21	65.67
COM+20	73.80	72.82	74.47	84.02	64.25	78.02	65.54
COM+21	73.31	72.42	74.14	83.70	64.06	77.83	65.41
COM+22	72.82	72.02	73.80	83.38	63.88	77.65	65.27
COM+23	72.34	71.62	73.47	83.06	63.69	77.47	65.15
COM+24	71.86	71.23	73.14	82.75	63.50	77.28	65.02
COM+25	71.39	70.85	72.82	82.44	63.32	77.10	64.89
COM+26	70.93	70.47	72.50	82.13	63.14	76.92	64.76
COM+27	70.47	70.09	72.18	81.82	62.95	76.74	64.63
COM+28	70.02	69.72	71.86	81.51	62.77	76.56	64.50
COM+29	69.57	69.35	71.55	81.21	62.59	76.38	64.38
COM+30	69.13	68.99	71.23	80.91	62.42	76.20	64.25
COM+31	68.70	68.62	70.93	80.61	62.24	76.03	64.13
COM+32	68.27	68.27	70.62	80.31	62.06	75.85	64.00
COM+33	67.84	67.91	70.32	80.02	61.88	75.68	63.88
COM+34	67.42	67.56	70.02	79.73	61.71	75.50	63.75
COM+35	67.01	67.22	69.72	79.44	61.54	75.33	63.63
COM+36	66.60	66.87	69.42	79.15	61.36	75.16	63.50
COM+37	66.20	66.53	69.13	78.86	61.19	74.98	63.38
COM+38	65.80	66.20	68.84	78.58	61.02	74.81	63.26
COM+39	65.41	65.87	68.55	78.30	60.85	74.64	63.14
COM+40	65.02	65.54	68.27	78.02	60.68	74.47	63.02
COM+41	64.63	65.21	67.98	77.74	60.51	74.30	62.89
COM+42	64.25	64.89	67.70	77.47	60.35	74.14	62.77
COM+43	63.88	64.57	67.42	77.19	60.18	73.97	62.65
COM+44	63.50	64.25	67.15	76.92	60.01	73.80	62.53
COM+45	63.14	63.94	66.87	76.65	59.85	73.64	62.42
COM+46	62.77	63.63	66.60	76.38	59.69	73.47	62.30
COM+47	62.42	63.32	66.33	76.12	59.52	73.31	62.18
COM+48	62.06	63.02	66.06	75.85	59.36	73.14	62.06
COM+49	61.71	62.71	65.80	75.59	59.20	72.98	61.94
COM+50	61.36	62.42	65.54	75.33	59.04	72.82	61.83
COM+51	61.02	62.12	65.27	75.07	58.88	72.66	61.71

D	3	2.5	2	1.5	1.5	1	1
COM	128	160	200	240	320	400	480
COM+52	60.68	61.83	65.02	74.81	58.72	72.50	61.59
COM+53	60.35	61.54	64.76	74.56	58.57	72.34	61.48
COM+54	60.01	61.25	64.50	74.30	58.41	72.18	61.36
COM+55	59.69	60.96	64.25	74.05	58.25	72.02	61.25
COM+56	59.36	60.68	64.00	73.80	58.10	71.86	61.13
COM+57	59.04	60.40	63.75	73.55	57.95	71.70	61.02
COM+58	58.72	60.12	63.50	73.31	57.79	71.55	60.91
COM+59	58.41	59.85	63.26	73.06	57.64	71.39	60.79
COM+60	58.10	59.58	63.02	72.82	57.49	71.23	60.68
COM+61	57.79	59.31	62.77	72.58	57.34	71.08	60.57
COM+62	57.49	59.04	62.53	72.34	57.19	70.93	60.46
COM+63	57.19	58.78	62.30	72.10	57.04	70.77	60.35
COM+64	56.89	58.51	62.06	71.86	56.89	70.62	60.24
COM+65	56.59	58.25	61.83	71.62	56.74	70.47	60.12
COM+66	56.30	58.00	61.59	71.39	56.59	70.32	60.01
COM+67	56.01	57.74	61.36	71.16	56.45	70.17	59.90
COM+68	55.73	57.49	61.13	70.93	56.30	70.02	59.80
COM+69	55.45	57.24	60.91	70.70	56.16	69.87	59.69
COM+70	55.16	56.99	60.68	70.47	56.01	69.72	59.58
COM+71	54.89	56.74	60.46	70.24	55.87	69.57	59.47
COM+72	54.61	56.50	60.24	70.02	55.73	69.42	59.36
COM+73	54.34	56.25	60.01	69.79	55.59	69.28	59.25
COM+74	54.07	56.01	59.80	69.57	55.45	69.13	59.15
COM+75	53.81	55.78	59.58	69.35	55.30	68.99	59.04
COM+76	53.54	55.54	59.36	69.13	55.16	68.84	58.94
COM+77	53.28	55.30	59.15	68.91	55.03	68.70	58.83
COM+78	53.02	55.07	58.94	68.70	54.89	68.55	58.72
COM+79	52.77	54.84	58.72	68.48	54.75	68.41	58.62
COM+80	52.51	54.61	58.51	68.27	54.61	68.27	58.51

(note) : The above value is at  $f_s=32$ [kHz].

Table 3.14.8 Performance listing for each segment and common number

## 64Mbit SDRAM/BURST 4GRAY

		COM	128	160	200	240	320	400	480	
D			3	2.5	2	1.5	1.5	1	1	Unit
SEG	t <sub>LP</sub>		91.6	76.3	61.0	45.8	45.8	30.5	30.5	uS
128	t <sub>STOP</sub>		1.3	1.3	1.3	1.3	1.3	1.3	1.3	uS
	rate		1.4	1.7	2.2	2.9	2.9	4.3	4.3	%
160	t <sub>STOP</sub>		1.6	1.6	1.6	1.6	1.6	1.6	1.6	uS
	rate		1.7	2.1	2.7	3.5	3.5	5.3	5.3	%
240	t <sub>STOP</sub>		2.1	2.1	2.1	2.1	2.1	2.1	2.1	uS
	rate		2.3	2.8	3.5	4.6	4.6	6.9	6.9	%
320	t <sub>STOP</sub>		2.6	2.6	2.6	2.6	2.6	2.6	2.6	uS
	rate		2.9	3.4	4.3	5.7	5.7	8.3	8.3	%
400	t <sub>STOP</sub>		3.2	3.2	3.2	3.2	3.2	3.2	3.2	uS
	rate		3.5	4.2	5.3	7.0	7.0	10.5	10.5	%
480	t <sub>STOP</sub>		3.7	3.7	3.7	3.7	3.7	3.7	3.7	uS
	rate		4.1	4.9	6.1	8.1	8.1	12.2	12.2	%
560	t <sub>STOP</sub>		4.3	4.3	4.3	4.3	4.3	4.3	4.3	uS
	rate		4.7	5.7	7.1	9.4	9.4	14.1	14.1	%
640	t <sub>STOP</sub>		4.8	4.8	4.8	4.8	4.8	4.8	4.8	uS
	rate		5.3	6.3	7.9	10.5	10.5	15.8	15.8	%

## 64Mbit SDRAM/BURST 8GRAY / 16GRAY

		COM	128	160	200	240	320	400	480	
D			3	2.5	2	1.5	1.5	1	1	Unit
SEG	t <sub>LP</sub>		91.6	76.3	61.0	45.8	45.8	30.5	30.5	uS
128	t <sub>STOP</sub>		2.2	2.2	2.2	2.2	2.2	2.2	2.2	uS
	rate		2.5	2.9	3.7	4.9	4.9	7.3	7.3	%
160	t <sub>STOP</sub>		2.6	2.6	2.6	2.6	2.6	2.6	2.6	uS
	rate		2.9	3.5	4.3	5.7	5.7	8.3	8.3	%
240	t <sub>STOP</sub>		3.7	3.7	3.7	3.7	3.7	3.7	3.7	uS
	rate		4.1	4.9	6.1	8.1	8.1	12.2	12.2	%
320	t <sub>STOP</sub>		4.8	4.8	4.8	4.8	4.8	4.8	4.8	uS
	rate		5.3	6.3	7.9	10.5	10.5	15.8	15.8	%
400	t <sub>STOP</sub>		5.8	5.8	5.8	5.8	5.8	5.8	5.8	uS
	rate		6.4	7.7	9.6	12.7	12.7	19.1	19.1	%
480	t <sub>STOP</sub>		6.9	6.9	6.9	6.9	6.9	6.9	6.9	uS
	rate		7.6	9.1	11.4	15.1	15.1	22.7	22.7	%
560	t <sub>STOP</sub>		8.0	8.0	8.0	8.0	8.0	8.0	8.0	uS
	rate		8.8	10.5	13.2	17.5	17.5	26.3	26.3	%
640	t <sub>STOP</sub>		9.1	9.1	9.1	9.1	9.1	9.1	9.1	uS
	rate		10.0	12.0	15.0	20.0	20.0	30.0	30.0	%



## SRAM MONOCHROME

		COM	128	160	200	240	320	400	480	
	D		3	2.5	2	1.5	1.5	1	1	Unit
SEG	t <sub>LP</sub>		91.6	76.3	61.0	45.8	45.8	30.5	30.5	uS
128	t <sub>STOP</sub>		0.9	0.9	0.9	0.9	0.9	0.9	0.9	uS
	rate		0.99	1.2	1.5	2.0	2.0	3.0	3.0	%
160	t <sub>STOP</sub>		1.1	1.1	1.1	1.1	1.1	1.1	1.1	uS
	rate		1.2	1.5	1.9	2.5	2.5	3.7	3.7	%
240	t <sub>STOP</sub>		1.7	1.7	1.7	1.7	1.7	1.7	1.7	uS
	rate		1.9	2.3	2.8	3.8	3.8	5.6	5.6	%
320	t <sub>STOP</sub>		2.2	2.2	2.2	2.2	2.2	2.2	2.2	uS
	rate		2.5	2.9	3.7	4.9	4.9	7.3	7.3	%
400	t <sub>STOP</sub>		2.8	2.8	2.8	2.8	2.8	2.8	2.8	uS
	rate		3.1	3.7	4.6	6.2	6.2	9.2	9.2	%
480	t <sub>STOP</sub>		3.3	3.3	3.3	3.3	3.3	3.3	3.3	uS
	rate		3.7	4.4	5.5	7.3	7.3	10.9	10.9	%
560	t <sub>STOP</sub>		3.9	3.9	3.9	3.9	3.9	3.9	3.9	uS
	rate		4.3	5.2	6.4	8.6	8.6	12.8	12.8	%
640	t <sub>STOP</sub>		4.4	4.4	4.4	4.4	4.4	4.4	4.4	uS
	rate		4.9	5.8	7.3	9.7	9.7	14.5	14.5	%

## SRAM 4GRAY

		COM	128	160	200	240	320	400	480	
	D		3	2.5	2	1.5	1.5	1	1	Unit
SEG	t <sub>LP</sub>		91.6	76.3	61.0	45.8	45.8	30.5	30.5	uS
128	t <sub>STOP</sub>		1.8	1.8	1.8	1.8	1.8	1.8	1.8	uS
	rate		2.0	2.4	3.0	4.0	4.0	6.0	6.0	%
160	t <sub>STOP</sub>		2.2	2.2	2.2	2.2	2.2	2.2	2.2	uS
	rate		2.5	2.9	3.7	4.9	4.9	7.3	7.3	%
240	t <sub>STOP</sub>		3.3	3.3	3.3	3.3	3.3	3.3	3.3	uS
	rate		3.7	4.4	5.5	7.3	7.3	10.9	10.9	%
320	t <sub>STOP</sub>		4.4	4.4	4.4	4.4	4.4	4.4	4.4	uS
	rate		4.9	5.8	7.3	9.7	9.7	14.5	14.5	%
400	t <sub>STOP</sub>		5.5	5.5	5.5	5.5	5.5	5.5	5.5	uS
	rate		6.1	7.3	9.1	12.1	12.1	18.1	18.1	%
480	t <sub>STOP</sub>		6.6	6.6	6.6	6.6	6.6	6.6	6.6	uS
	rate		7.3	8.7	10.9	14.5	14.5	21.7	21.7	%
560	t <sub>STOP</sub>		7.7	7.7	7.7	7.7	7.7	7.7	7.7	uS
	rate		8.5	10.1	12.7	16.9	16.9	25.3	25.3	%
640	t <sub>STOP</sub>		8.8	8.8	8.8	8.8	8.8	8.8	8.8	uS
	rate		9.7	11.6	14.5	19.3	19.3	28.9	28.9	%

SRAM 8GRAY/16GRAY

		COM	128	160	200	240	320	400	480	
	D		3	2.5	2	1.5	1.5	1	1	Unit
SEG	t <sub>LP</sub>		91.6	76.3	61.0	45.8	45.8	30.5	30.5	uS
128	t <sub>STOP</sub>		3.6	3.6	3.6	3.6	3.6	3.6	3.6	uS
	rate		4.0	4.8	6.0	7.9	7.9	11.9	110.9	%
160	t <sub>STOP</sub>		4.4	4.4	4.4	4.4	4.4	4.4	4.4	uS
	rate		4.9	5.8	7.3	9.7	9.7	14.5	14.5	%
240	t <sub>STOP</sub>		6.6	6.6	6.6	6.6	6.6	6.6	6.6	uS
	rate		7.3	8.7	10.9	14.5	14.5	21.7	21.7	%
320	t <sub>STOP</sub>		8.8	8.8	8.8	8.8	8.8	8.8	8.8	uS
	rate		9.7	11.6	14.5	19.3	19.3	28.9	28.9	%
400	t <sub>STOP</sub>		11.0	11.0	11.0	11.0	11.0	11.0	11.0	uS
	rate		12.1	14.5	18.1	24.1	24.1	36.1	36.1	%
480	t <sub>STOP</sub>		13.2	13.2	13.2	13.2	13.2	13.2	13.2	uS
	rate		14.5	17.4	21.7	28.9	28.9	43.3	43.3	%
560	t <sub>STOP</sub>		15.4	15.4	15.4	15.4	15.4	15.4	15.4	uS
	rate		16.9	20.2	25.3	33.7	33.7	50.1	50.1	%
640	t <sub>STOP</sub>		17.6	17.6	17.6	17.6	17.6	17.6	17.6	uS
	rate		19.3	23.1	28.9	38.5	38.5	57.8	57.8	%

over 50%

表 3.14.9 Possible panel size of panning

64Mbit SDRAM/BURST

horizontal	SEG	128	160	240	320	400	480	560	640	
MONOCHROME		16.0	12.8	8.5	6.2	5.1	4.3	3.7	3.2	panels
4GRAY		16.0	12.8	8.5	6.4	5.1	4.3	3.7	3.2	panels
8GRAY		8.0	6.4	4.3	3.2	2.6	2.1	1.8	1.6	panels
16GRAY		8.0	6.4	4.3	3.2	2.6	2.1	1.8	1.6	panels

vertical

COM	128	160	200	240	320	400	480	
	32.0	25.6	20.5	17.1	12.8	10.2	8.5	panels

128Mbit SDRAM/BURST

horizontal	SEG	128	160	240	320	400	480	560	640	
MONOCHROME		32.0	25.6	17.1	12.8	10.2	8.5	7.3	6.4	panels
4GRAY		32.0	25.6	17.1	12.8	10.2	8.5	7.3	6.4	panels
8GRAY		16.0	12.8	8.5	6.4	5.1	4.3	3.7	3.2	panels
16GRAY		16.0	12.8	8.5	6.4	5.1	4.3	3.7	3.2	panels

vertical

COM	128	160	200	240	320	400	480	
	32.0	25.6	20.5	17.1	12.8	10.2	8.5	panels

SRAM

horizontal	SEG	128	160	240	320	400	480	560	640	
MONOCHROME		32.0	25.6	17.1	12.8	10.2	8.5	7.3	6.4	panels
4GRAY		16.0	12.8	8.5	6.4	5.1	4.3	3.7	3.2	panels
8GRAY		8.0	6.4	4.3	3.2	2.6	2.1	1.8	1.6	panels
16GRAY		8.0	6.4	4.3	3.2	2.6	2.1	1.8	1.6	panels

vertical

COM	128	160	200	240	320	400	480	
	32.0	25.6	20.5	17.1	12.8	10.2	8.5	panels

( NOTE1 ) The value of the Table 3.14.8 is at  $f_{FPH} = 36$ [MHz].

( NOTE2 ) CPU stop time ;  $t_{STOP}$  ( in the Figure 3.14.11 ) is the time which CPU reads the memory of transferring with 0 WAIT.

( NOTE3 ) The following equation can calculate  $t_{LP}$  listed below.

$$t_{LP} = D / 32768 \text{ [sec]}$$

( ex ) If the row is 240 and D = 1.5 by the above table

$$t_{LP} = 1.5 / 32768 = 45.8 \text{ [us]}$$

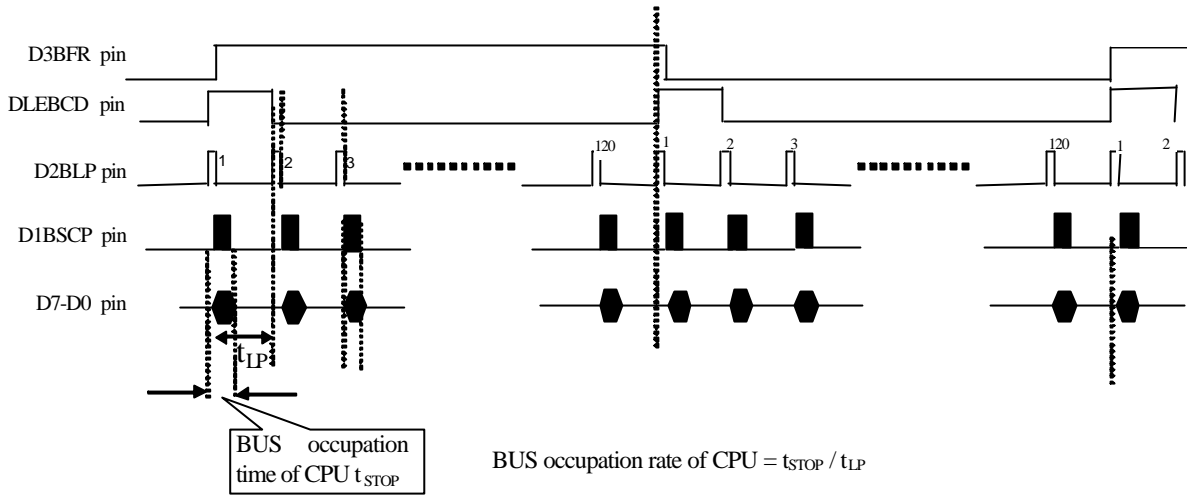


Figure 3.14.11 Stop time and BUS occupation rate of CPU

3.14.4.6 Timing Charts of Interpreting Memory Codes

TMP91C820A supports different memory accessing. They are SRAM with waits, SDRAM burst modes, and the size of SDRAM is 64 or 128Mbits. The access signals for the LCD panel are shown in Figure 3.14.12. To catch low speed LCD drivers, 3 types of SCP rates( $f_{sys}/2$ ,  $f_{sys}/4$ , and  $f_{sys}/8$ ) can be selected. The output data (LD7-LD0) will be issued from the built-in FIFO at the rising edge of D1BSCP when the FIFO is no-empty. The work of the FIFO is illustrated in Figure 3.14.13, where the buffer size 80 bytes. The FIFO latches BaseLD7-LD0 signal at the falling edge of BaseSCP which is shown in Figure 3.14.14 and Figure 3.14.15 for SRAM and SDRAM modes respectively. The FIFO is always reset to the empty state by the rising edge of D2BLP. In Base SCP mode (i.e. for SCPW1,0=00), D1BCP is equal to BaseSCP, LD7-LD0 equal to BaseLD7-LD0 and no FIFO used. Generally, the data input rate of FIFO should be greater than the output one.

To make FIFO work correctly, the following condition have to be satisfied by setting SFR properly.

$$(SegNum/8+1) \times tcw + 24 \times t_{FPH} < t_{LP} - t_{LPH}$$

Here, SegNum is the Segment Number, and  $tcw$  D1BSCP Clock cycle width. Referring Figure 3.14.16, we can know this relation means that the last LD7-LD0 data must be generated before the rising edge of D2BLP.

For example, in case of  $f_{FPH}=36MHz$ ,  $XT=32kHz$ , 4 gray, 240 com, 640 seg, and SDRAM burst mode, the following table can be obtained, which tells user that 8 clock mode is impossible and base,2,4 clock modes can be used.

SCPW	D1BSCP Rate (MHz)	tcw (ns)	$(SegNum/8+1) \times tcw + 24 \times t_{FPH}(ns)$	$t_{LP} - t_{LPH}$ (ns)	Judgment
Base	18	55.6	5166.1	31250	OK
2clk	9	111.2	9674.4	31250	OK
4clk	4.5	222.4	18681.6	31250	OK
8clk	2.25	444.8	36696	31250	NG

(note) : The speed of BaseSCP mode is equal to 2clk mode in the 8/16GRAY mode.

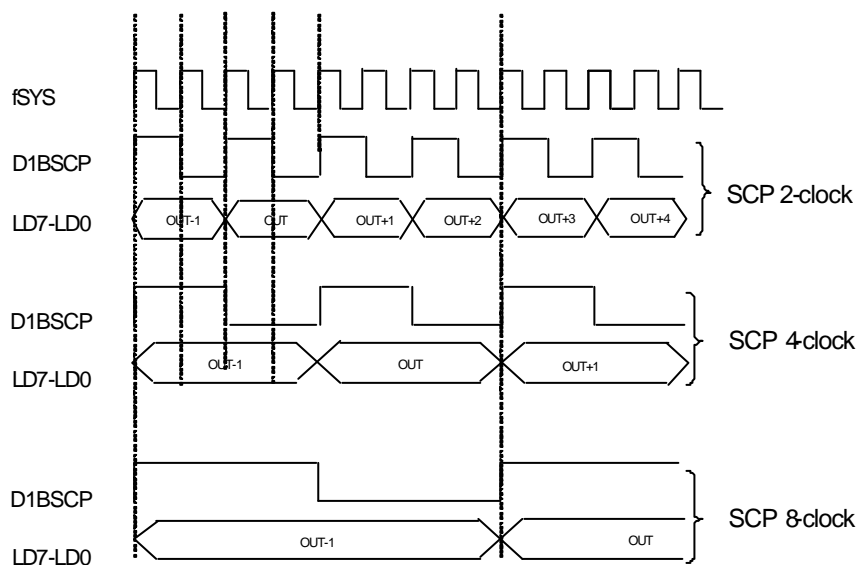
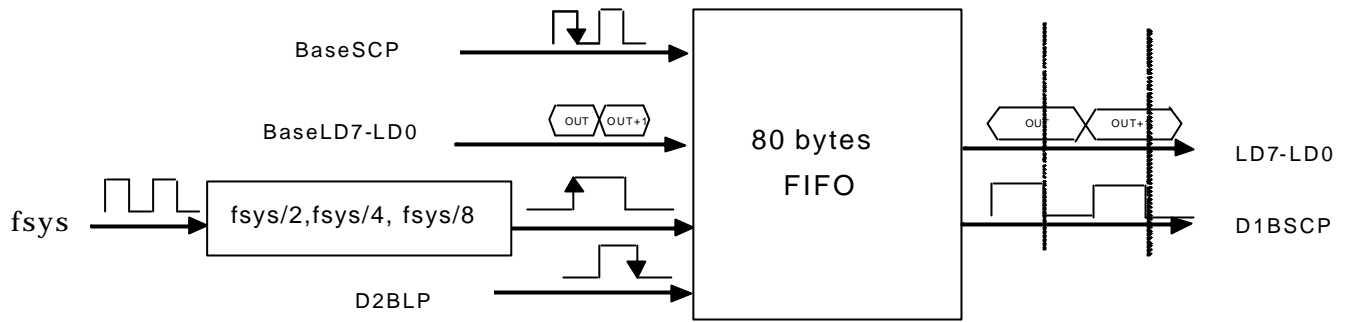


Figure 3.14.12 Timing diagram for the LCD panel access signals



Note: D1BCP=BaseSCP and LD7-LD0=BaseLD7-LD0 in Base SCP mode (i.e. for SCPW[1:0] =00)

Figure 3.14.13 Timing diagram for FIFO

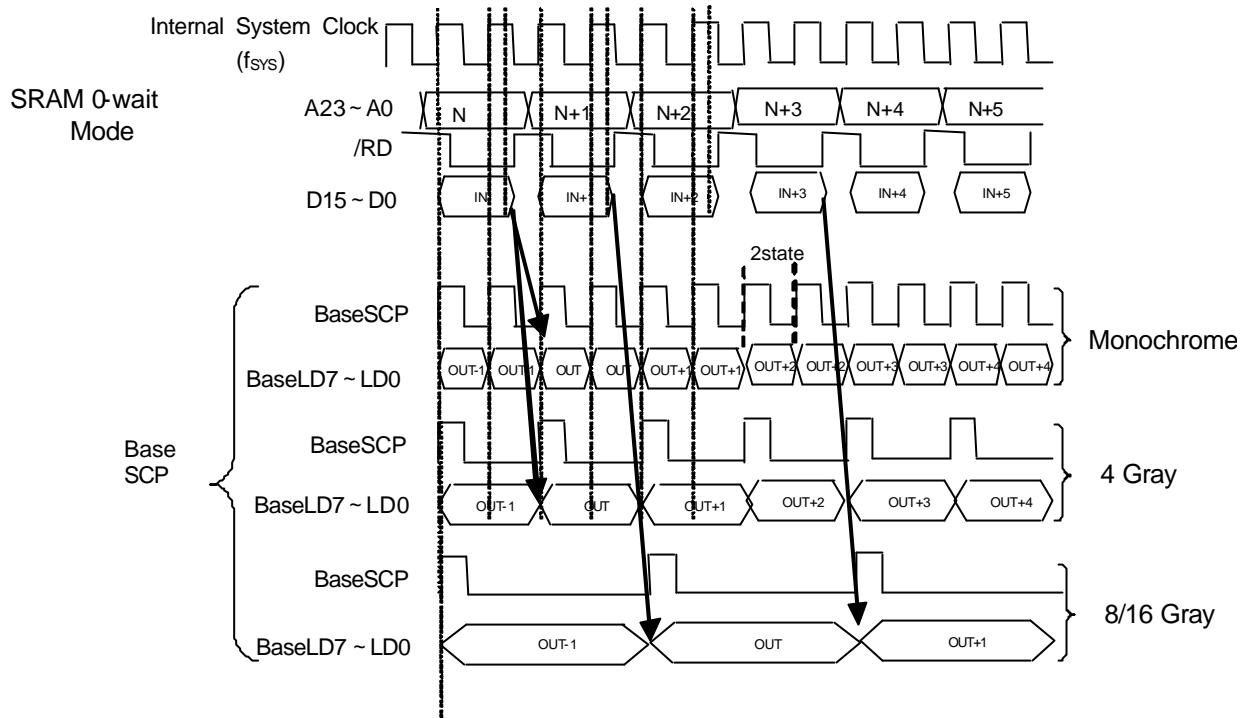


Figure 3.14.14 Timing diagram for SRAM mode with base SCP

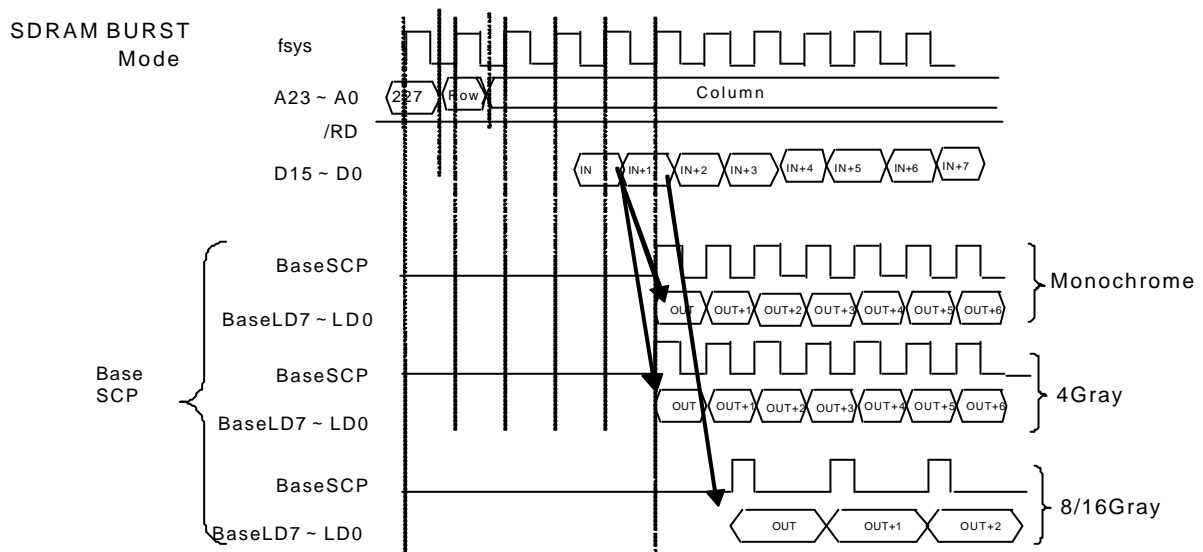
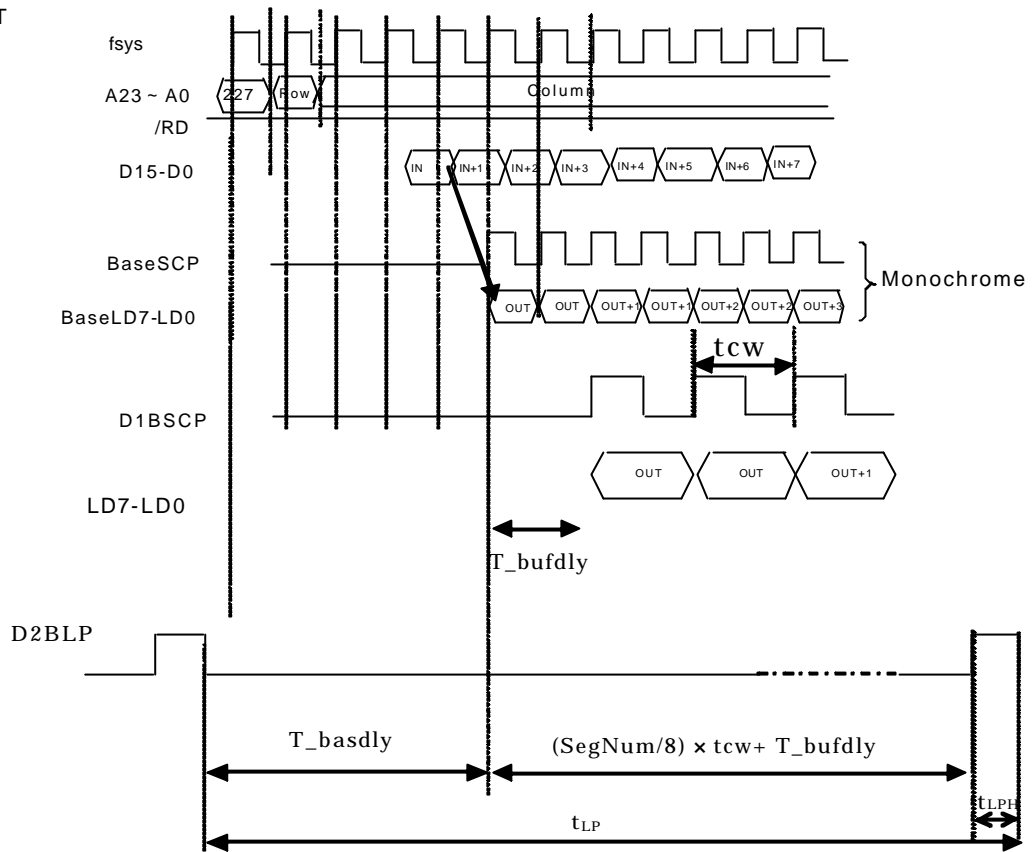


Figure 3.14.15 Timing diagram for SDRAM BURST mode with base SCP

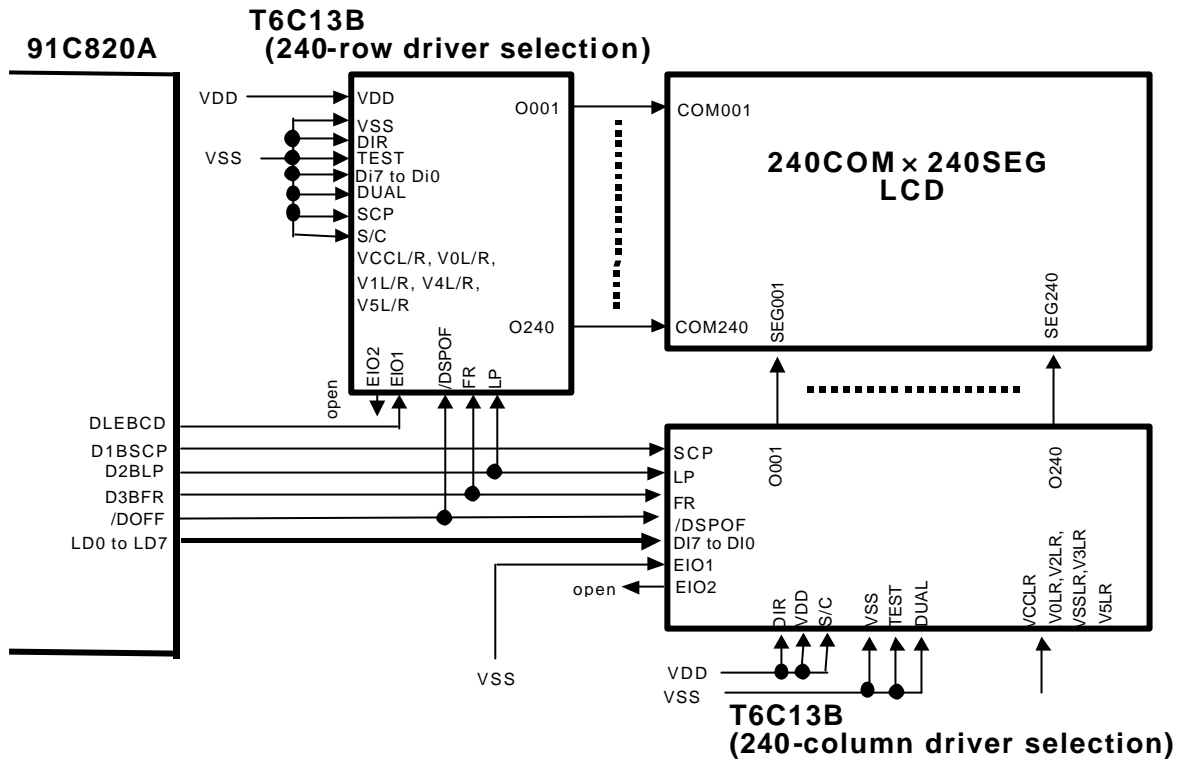
SDRAM BURST  
1-clock Mode



- Note : 1.  $4t_{FPH} + T_{bufdly} + t_c + 2t_{FPH}$
2.  $T_{basdly}$  is about 11 times as long as  $f_{sys}$  period ( $22 t_{FPH}$ ).

Figure 3.14.16 Timing diagram for maximum FIFO delay time .

3.14.4.7 Interface Examples at SR Mode



(Note1) : Display memory should be 16bit bus.  
 (Note2) : Other circuit is necessary for LCD drive power supply for LCD driver display.

Figure 3.14. 17 Interface example for shift register type LCD driver

**【Note】** Because the connection between the line of display RAM data and output bus:LD0:7 is just the mirror reverse, please care of connection. The data LSB of display RAM is output from LD7. In the above figure, LD0 should be connected to DI7 of LCD driver, and LD1 to DI6. For detail information, please refer to Figure 3.14.5.



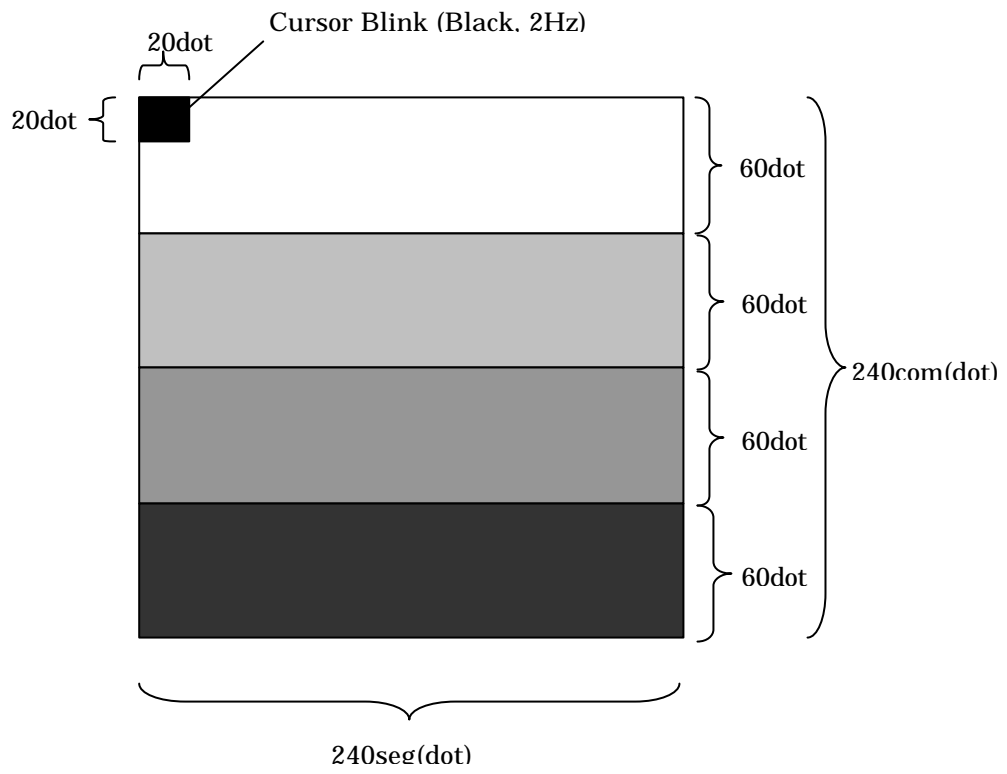


Figure 3.14. 18 Display reference below sample program

## 3.14.4.8 Sample Program

Setting example :

In case of use 240SEG × 240COM , 4-level gray scale display, 64Mbit SDRAM.

This sample program operate correctly, LCD panel shows Figure 3.14.18 display.

```

;***** SDRAM SET *****
    ld      (sdacr),2bh      ; Add-MUX Enable, 64Mbit select
    ld      (sdr cr),01h     ; interval refresh

;***** GLCDC SET *****
    ld      (lcdmode),17h    ; A/B area off, SDRAM 64Mbit, SR-type
                                ; SCP width 2-clock
    ld      (lcddvm),11      ; 11-count DVM set
    ld      (lcdsize),32h    ; COM=240,SEG=240
    ld      (lcdctl),20h     ; divide frame ON, display-off
    ld      (lcdffp),240     ; frame frequency correction (91Hz)
    ld      (lcdgl),01h     ; 4-level gray
    ld      (lcdcm),0c1h    ; Cursor ON, Black, 2Hz blink
    ld      (lcdcw),19      ; Width = 20 dot
    ld      (lcdch),19      ; Height = 20 dot
    ld      (lcdcp),00h     ; Pixel = 0
    ld      (lcdcpl),00h    ; Cursor position
    ld      (lcdcpm),00h    ; Cursor Address
    ld      (lcdcph),40h    ; Cursor Address
    ld      (lsarch),40h    ; C_area start address
    ld      (lsarcm),00h    ; C_area start address
    ld      (lsarcl),00h    ; C_area start address

;***** 0/4 data write 60 ROW *****
    ld      xix,400000h      ;
    ld      wa,0000h         ; write data 0-level data (0000000000000000b)
loop1:  ld      (xix),wa      ;
    inc     2,xix           ;
    cp     xix,407800h      ; 400000h-407800h:60 ROW(dot)
    jr     nz,loop1        ;

;***** 2/4 data write 60 ROW *****
    ld      xix,407800h      ;
    ld      wa,05555h       ; write data 1-level data (0101010101010101b)
loop2:  ld      (xix),wa      ;
    inc     2,xix           ;
    cp     xix,40F000h      ; 407800h-40F000h:60 ROW(dot)
    jr     nz,loop2        ;

;***** 3/4 data write 60 ROW *****
    ld      xix,40F000h      ;
    ld      wa,0aaaah       ; write data 2-level data (1010101010101010b)
loop3:  ld      (xix),wa      ;
    inc     2,xix           ;
    cp     xix,416800h      ; 40F000h-416800h:60 ROW(dot)
    jr     nz,loop3        ;

;***** 4/4 data write 60 ROW *****
    ld      xix,416800h      ;

```

---

```
ld      wa,0ffffh      ;write data 3-level data (11111111111111b)
loop4:  ld      (xix),wa      ;
        inc     2,xix      ;
        cp     xix,41e000h  ;416800h-41e000h:60 ROW(dot)
        jr     nz,loop4    ;
;***** 4-level gray palette pattern set *****
        ld     (lg0l),00h   ;0/4 gray scale palette 0000b
        ld     (lg1l),05h   ;2/4 gray scale palette 0101b
        ld     (lg2l),0eh   ;3/4 gray scale palette 1110b
        ld     (lg3l),0fh   ;4/4 gray scale palette 1111b
;***** DMA, DISPLAY-ON start *****
        ld     (lcdctl),0a1h ;Display on, divide on
```

3.14.5 RAM built-in type LCD driver control mode (RAM mode)

3.14.5.1 Operation

Data transmission to LCD driver is executed by move instruction of CPU.

After setting mode of operation to control register, when move instruction of CPU is executed LCDC outputs chip select signal to LCD driver connected to the outside from control pin (D1BSCP etc.). Therefore control of data transmission numbers corresponding to LCD size is controlled by instruction of CPU. There are 2 kinds of address of LCD driver in this case, and which is chosen determines by LCDCTL <MMULCD> register.

It corresponds to LCD driver which has every 1 byte of instruction register and display data register in LCD driver at the time of <MMULCD> ="0." Please make the transmission place address at this time into either of FE0H-FE7F. (**SEQUENTIAL ACCESS TYPE: see the Table 3.14.3**)

It corresponds to address direct writing type LCD driver at the time of <MMULCD> ="1."

The transmission place address at this time can also assign the memory area of 3C0000H - 3FFFFFF to four area for every 64 K bytes. (**RANDOM ACCESS TYPE: see the Table 3.14.4**)

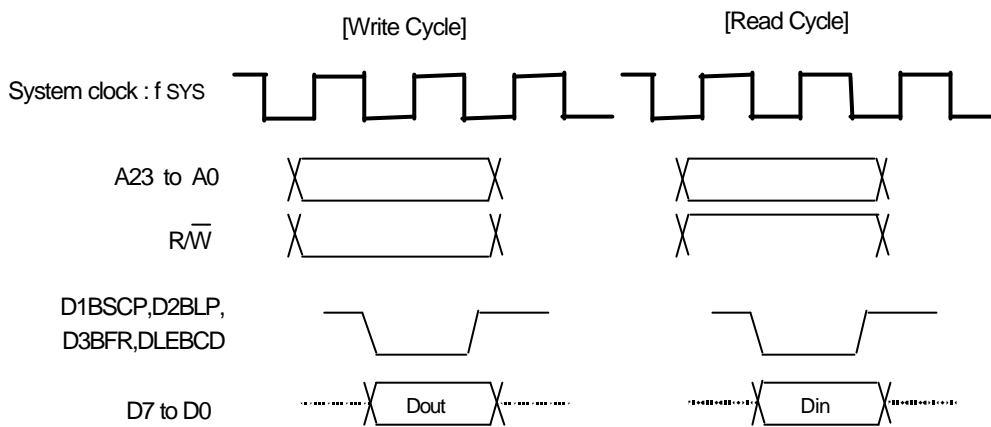


Figure 3.14.19 Example of access timing for RAM built-in type LCD driver (Wait=0)

3.14.5.2 Interface Examples at Internal RAM Mode

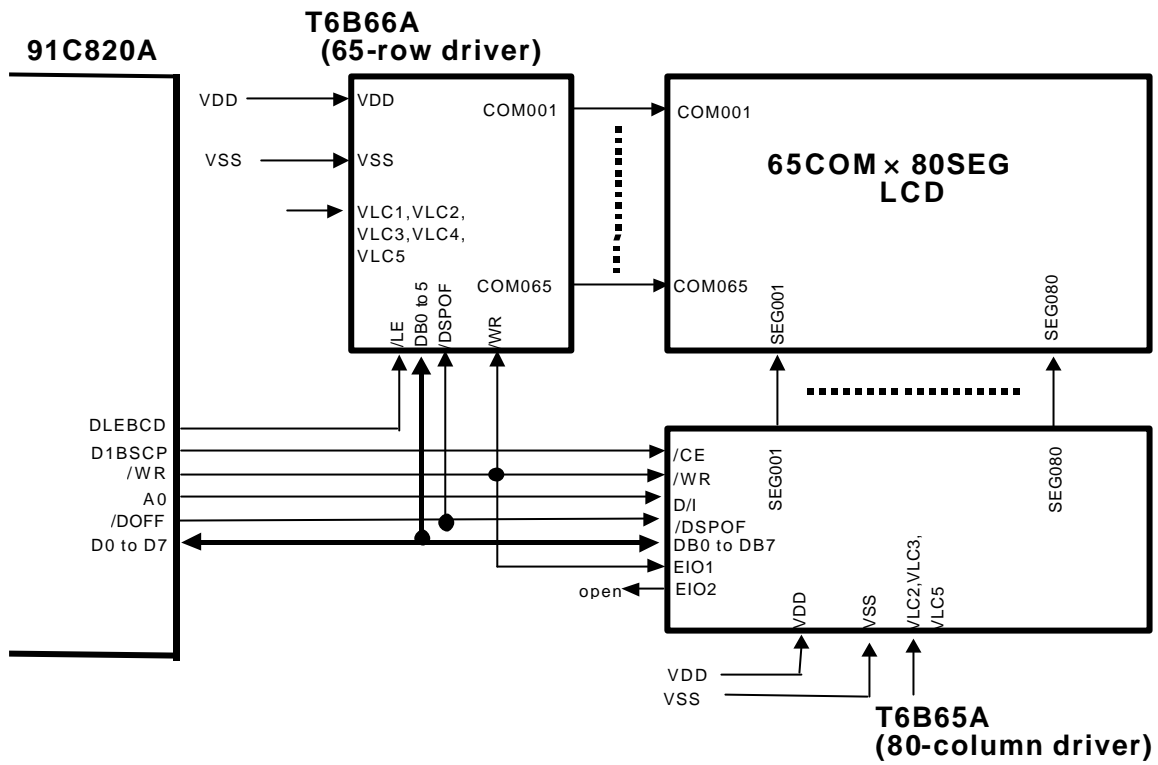


Figure 3.14.20 Interface example for RAM built-in type sequential access type LCD DRIVER

## 3.14.5.3 Sample Program

Setting example : In case of use 80SEG X 65COM LCD driver.

Assign external column driver to LCDC1 and row driver to LCDC4.

This example used LD instruction in setting of instruction and used burst function of micro DMA by soft start in setting of display data.

In case of store 650 bytes transfer data to LCD driver.

```

;***** Setting external terminal *****
        ld      (pdc1),19h      ; /CE for LCDC1:D1BSCP,
                                ; /LE for LCDL1:DLEBCD,
                                ; Setting for /DOFF

;***** Setting for LCDC *****
        ld      (lcdmode),00h   ; Select RAM mode
        ld      (lcdctl),00h    ; MMULCD=0 (sequential access mode)

;***** Setting for mode of LCDC0/LCDR0 *****
        ld      (lcdc1l),xx     ; Setting instruction for LCDC1
        ld      (lcdc4l),xx     ; Setting instruction for LCDC4

;***** Setting for micro DMA and INTTC(ch0) *****
        ld      a,08h           ; Source address INC mode
        ldc     dmam0,a         ;
        ld      wa,650         ; count=650
        ldc     dmac0,wa       ;
        ld      xwa,1000h      ; Source address=1000H
        ldc     dmas0,xwa      ;
        ld      xwa,0fe1h     ; Destination address=FE1H(LCDC0H)
        ldc     dmad0,xwa     ;
        ld      (intetc01),06H ; INTTC0 level=6
        ei      6             ;
        ld      (dmab),01h    ; Burst mode
        ld      (dmar),01h    ; Soft start

```

### 3.15 Melody / Alarm generator(MLD)

TMP91C820A incorporates melody function and alarm function, both of which are output from the MLDALM pin. Five kind of fixed cycles INTERRUPT is generate by using 15bit counter, which is used for alarm generator.

Features are as follows.

- Melody generator

The Melody function generates signals of any frequency (4Hz- 5461Hz) based on low-speed clock (32.768KHz) and outputs the signals from the MLDALM pin.

By connecting a loud speaker outside, Melody tone can easily sound.

- Alarm generator

The Alarm function generates eight kinds of alarm waveform having a modulation frequency (4096Hz) determined by the low-speed clock (32.768KHz). And this waveform is able to invert by setting a value to a register.

By connecting a loud speaker outside, Alarm tone can easily sound.

Five kind of fixed cycles (1Hz, 2Hz, 64Hz, 512Hz, 8KHz) INTERRUPT be generated by using a counter which is used for alarm generator.

- Special mode

It is assigned <TA3LCDE> at bit0 and <TA3MLDE> at bit1, of EMCCR4 register (00E7hex). These bits are used when you want to operate LCDD and MELODY circuit without low frequency clock (XTIN,XTOUT). After reset these two bits set to '0' and low clock is supplied each LCDD and MELODY circuit. If you write these bits to '1', TA3OUT (generate by timer3) is supplied each LCDD and MELODY circuit. In this case, you should set 32KHz timer3 frequency. For detail, look AC specification characteristics.

This section is constituted as follows.

- 3.15.1 Block diagram
- 3.15.2 Control registers
- 3.15.3 Actuating exposition 3.10.3.1 melody generator
- 3.15.3.2 Alarm generator

3.15.1 Block Diagram

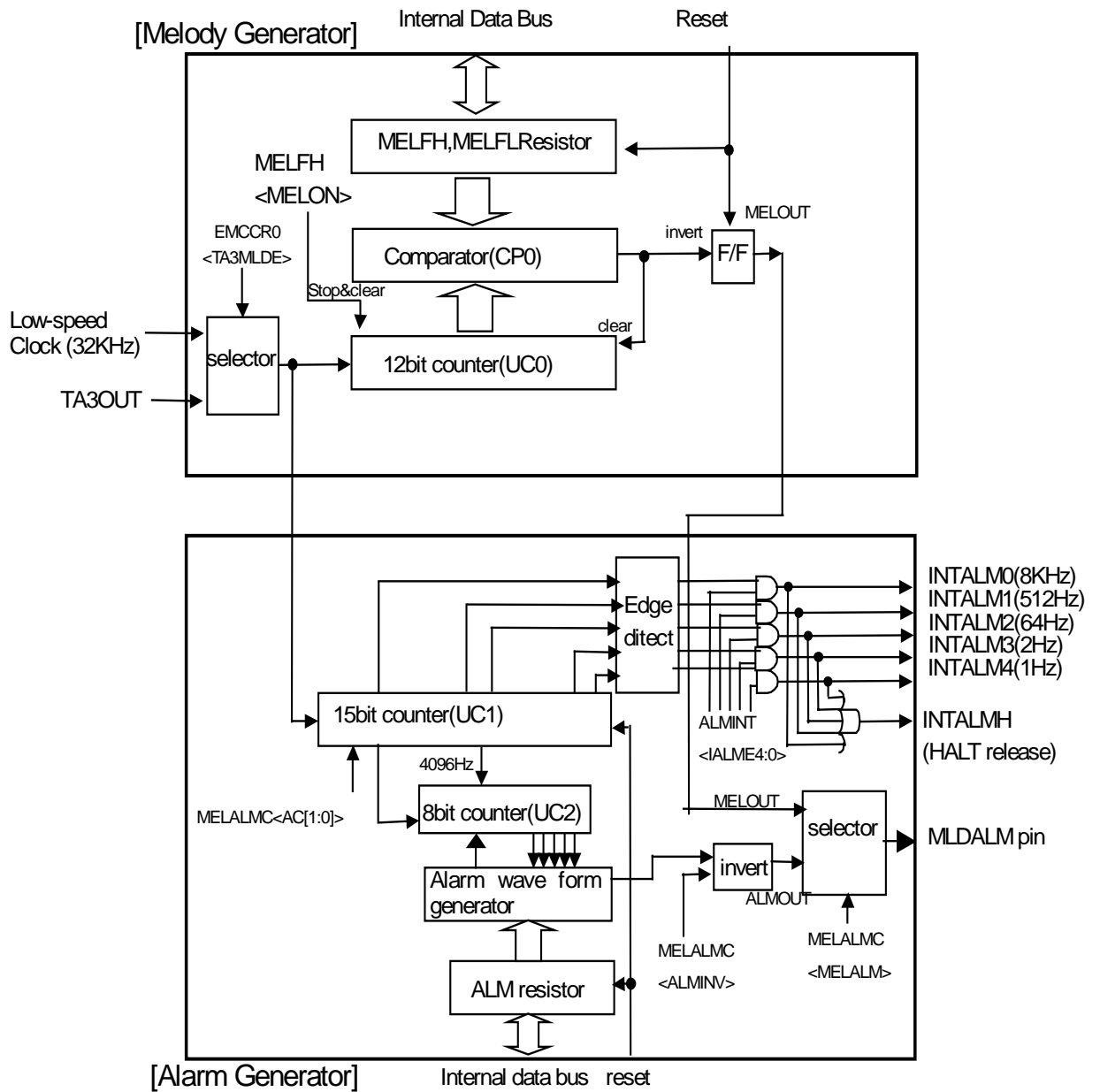


Figure 3.15.1 MLD Block Diagram



3.15.2 Control registers

ALM R register

	7	6	5	4	3	2	1	0	
ALM (0330H)	bit Symbol	AL8	AL7	AL6	AL5	AL4	AL3	AL2	AL1
	Read/Write	R/W							
	After reset	0							
	Function	Setting alarm pattern							

MLDALMC register

	7	6	5	4	3	2	1	0
MELALMC (0331H)	bit Symbol	FC1	FC0	ALMINV				MELALM
	Read/Write	R/W		R/W				R/W
	After reset	0		0				0
	Function	Free-run counter control 00: Hold 01: Restart 10: Clear 11: Clear & Start		Alarm Waveform invert 1:INVERT	Write "0"			Output Waveform select 0: Alarm 1: Melody

(Note1) MELALMEC<FC1> is read always "0".

(Note2) When setting MELALMC register except <FC1:0> during the free-run counter is running, <FC1:0> is kept "01".

MELFL register

	7	6	5	4	3	2	1	0	
MELFL (0332H)	bit Symbol	ML7	ML6	ML5	ML4	ML3	ML2	ML1	ML0
	Read/Write	R/W							
	After reset	0							
	Function	Setting melody frequency (lower 8bit)							

MELFH register

	7	6	5	4	3	2	1	0	
MELFH (0333H)	bit Symbol	MELON				ML11	ML10	ML9	ML8
	Read/Write	R/W				R/W			
	After reset	0				0			
	Function	Control melody counter 0: Stop & Clear 1: Start				Setting melody frequency(upper 4bit)			

ALMINT register

	7	6	5	4	3	2	1	0	
ALMINT (0334H)	bit Symbol				IALM4E	IALM3E	IALM2E	IALM1E	IALM0E
	Read/Write				R/W				
	After reset				0				
	Function	Write "0"			1:Interrupt enable for INTALM4 ~ INTALM0				

3.15.3 Operational Description

3.15.3.1 Melody generator

The Melody function generates signals of any frequency (4Hz- 5461Hz) based on low-speed clock (32.768KHz) and outputs the signals from the MLDALM pin.

By connecting a loud speaker outside, Melody tone can easily sound.

(Operation)

At first, MELALMC<MELALM> have to be set as 1 in order to select melody waveform as output waveform from MLDALM. Then melody output frequency has to be set to 12-bit register MELFH, MELFL.

Followings are setting example and calculation of melody output frequency.

(Formula for calculating of melody waveform frequency)

$$@fs = 32.768[\text{kHz}]$$

$$\text{melody output waveform} \quad f_{\text{MLD}}[\text{Hz}] = 32768 / (2 \times N + 4)$$

$$\text{setting value for melody} \quad N = (16384 / f_{\text{MLD}}) - 2$$

(notice: N=1 ~ 4095(001H ~ FFFH) 、 0 is not acceptable )

(Example program)

In case of outputting “A” musical scale (440Hz)

- LD (MELALMC), --XXXXX1B ; select melody waveform
- LD (MELFL), 23H ; N= 16384/440 – 2 = 35.2 = 023H
- LD (MELFH), 80H ; start to generate waveform

(Refer: Basic musical scale setting table)

scale	Frequency [Hz]	Register Value:N
C	264	03CH
D	297	035H
E	330	030H
F	352	02DH
G	396	027H
A	440	023H
B	495	01FH
C	528	01DH

## 3.15.3.2 Alarm generator

The Alarm function generates eight kinds of alarm waveform having a modulation frequency 4096Hz determined by the low-speed clock (32.768KHz). And this waveform is reversible by setting a value to a register.

By connecting a loud speaker outside, Alarm tone can easily sound.

Five kind of fixed cycles (1Hz, 2Hz, 64Hz, 512Hz, 8KHz) INTERRUPT be generate by using a counter which is used for alarm generator.

(Operation)

At first, MELALMC<MELALM> have to be set as 0 in order to select alarm waveform as output waveform from MLDALM. Then alarm pattern has to be set on 8-bit register of ALM. Finally "10" be set on MLDALMC<AC1: 0> register, and <ALMINV> be set as invert. By setting these values, counter start to generate alarm waveform.

Followings are example program, setting value of alarm pattern and waveform of each setting value.

(Setting value of alarm pattern)

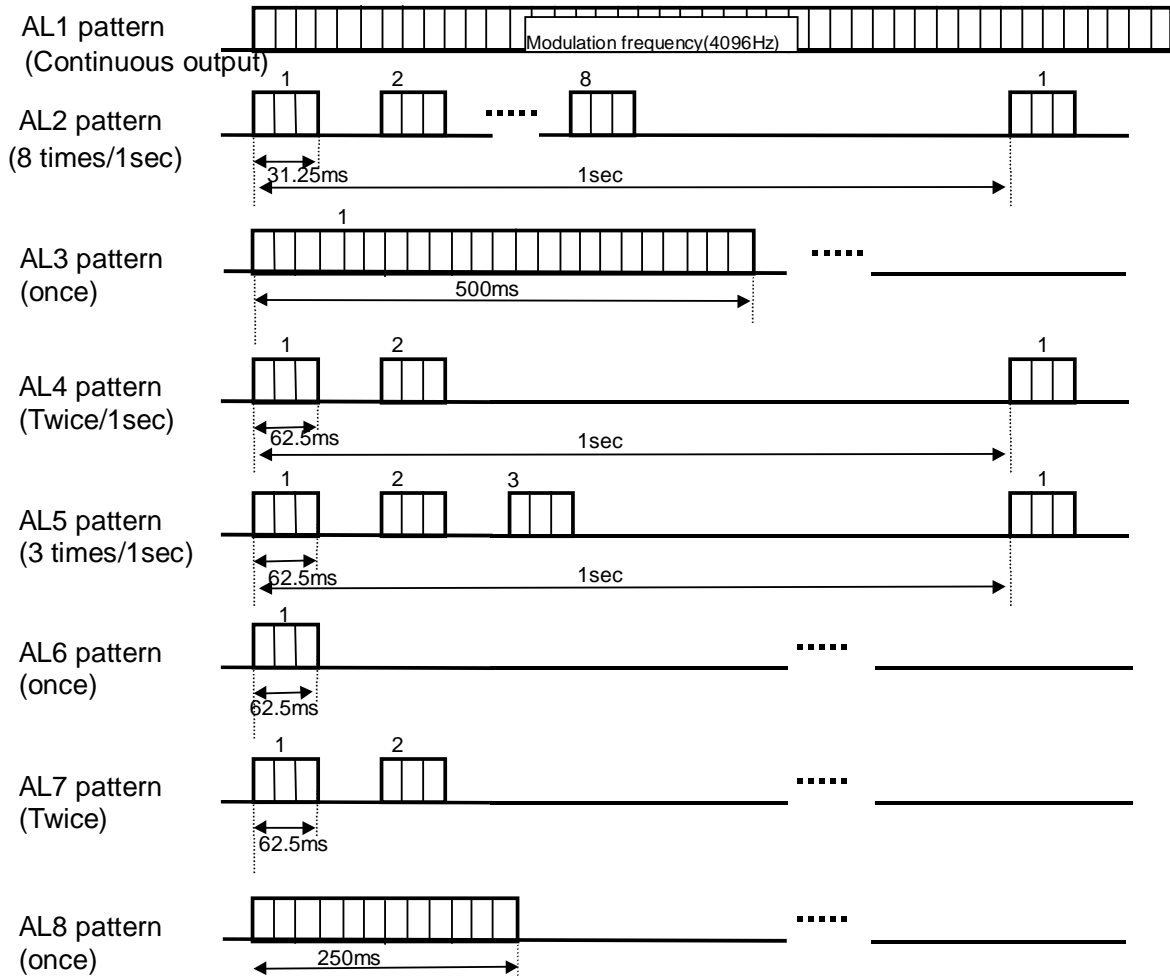
Setting value for ALM register	Alarm waveform
00H	"0" fixed
01H	AL1 pattern
02H	AL2 pattern
04H	AL3 pattern
08H	AL4 pattern
10H	AL5 pattern
20H	AL6pattern
40H	AL7 pattern
80H	AL8 pattern
Other	Undefined (do not set)

(Example program)

In case of outputting AL2 pattern (31.25ms/8 times/1sec)

```
LD      (MELALMC), C0H      ; set output alarm waveform
                          ; Free-run counter start
LD      (ALM), 02H         ; set AL2 pattern, start
```

Example: Waveform of alarm pattern for each setting value: not invert)



### 3.16 SDRAM Controller(SDRAMC)

TMP91C820A includes SDRAM controller which supports SDRAM access by CPU/LCDC.  
The features are as follows.

(1) Support SDRAM

16M/64M/128Mbit SDRAM(× 16bits × 2/4Banks)

(2) Automatic Initialize Function

- All Bank Pre-charge Command Generate
- Mode Register Set Generate
- 8 times Auto Refresh

(3) Access Mode

	CPU Access	LCDC Access
Burst Length	1word	Full Page
Addressing Mode	Sequential	Sequential
CAS Latency(clock)	2	2
Write Mode	Single Write	Single Write

(4) Access Cycle

• CPU Access (Read/Write)

Read Cycle : 4state(296ns @27MHz)

Write Cycle : 3state(222ns @27MHz)

Access Data Width: 8bit/16bit

• LCDC Burst Access (Read only)

Read Cycle : 1state(74ns @27MHz)

Over head : 4state(296ns @27MHz)

Access Data Width: 16bit only

(5) Refresh Cycle Auto Generate

- Auto Refresh is generated during another area access.
- Refresh interval is programmable.
- Self Refresh is supported

(Notes)

- Display data has to set from the head of each page.
- Program is not operated on SDRAM.
- Condition of SDRAM area is set by CS1 setting of CHIP SELECT CONTROLLER.
- Set CS1's WAIT setting to 0-wait.

3.16.1 Control Registers

Figure 3.16.1(1) shows the SDRAMC control registers. Setting these registers controls the operation of SDRAMC.

SDACR (04F0H)	bit Symbol	SDINI	SWRC	SBM1	SBM0	SMUXE	SMUXW1	SMUXW0	SMAC
	Read/Write	R/W	R/W	R/W		R/W	R/W		R/W
	After reset	0	0	1	0	0	0	0	0
	Function	Auto initialize 0: Disable 1: Enable	Write Recovery 0: 1 clock 1: 2 clock	LCDC trans always fixed to "10"		Address Mux  0: Disable 1: Enable	SDRAM Select  00:16M      10:128M 01:64M      11:Reserve		Access Cycle  0: Disable 1: Enable

SDRAM Refresh Control Register									
SDRCR (04F1H)		7	6	5	4	3	2	1	0
	bit Symbol	SFRC	SRS2	SRS1	SRS0	SASFRC	-	-	SRC
	Read/Write	R/W	R/W			R/W	-	-	R/W
	After reset	0	0	0	0	0	-	-	0
Function	Self refresh 0: Disable 1: Enable	Aouto Refresh interval 000: 78state    100:195state 001: 97state    101:210state 010:124state    110:249state 011:156state    111:312state			Auto self Refresh 0: Disable 1: Enable			Auto Refresh 0: Disable 1: Enable	

Figure 3.16.1(1) SDRAMC control registers

3.16.2 Operation description

(1) Memory access control

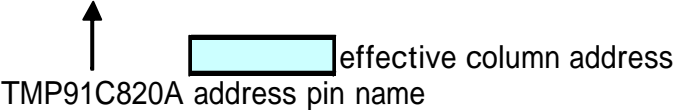
Access control block is enable when  $SDACR\langle SMAC \rangle = 1$ . And then DRAM control Signals (SDCS,SDRAS,SDCAS,SDWE,SDLDQM,SDUDQM,SDCLK and SDCKE) are output during the time CPU or LCDC accesses CS1 area.

In the access cycle, Address multiplex outputs row/column address through A1 to A12 pin. The enable/disable setting of address multiplexing is controlled by  $SDACR\langle SMUXE \rangle$ . And multiplex width is decided by setting  $SDACR\langle SMUXW \rangle$  0 and 1 of use memory size. The relation between multiplex width and memory size is below.

Table 3.16.2 Address mutiplex

SDRAM Address Pin Name	TMP91C820A Address Output			
	Column Address	Row Address		
		16M	64M	128M
-	A0	A0	A0	A0
A0	A1	A9	A9	A10
A1	A2	A10	A10	A11
A2	A3	A11	A11	A12
A3	A4	A12	A12	A13
A4	A5	A13	A13	A14
A5	A6	A14	A14	A15
A6	A7	A15	A15	A16
A7	A8	A16	A16	A17
A8	A9	A17	A17	A18
A9	A10	A18	A18	A19
A10	A11	A19	A19	A20
A11	A12		A20	A21
BS0	A13	A20	A21	A22
BS1	A14	-	A22	A23

← Memory size


  
 ↑ effective column address  
 TMP91C820A address pin name

SDRAM access by CPU is performed by the 1 Word burst mode. SDRAM access by LCDC is performed by the 1 page burst mode. DRAM access cycle is shown in (6) from Fig. 3.16.2 (1).

The read cycle by CPU is the 4 State fixation, and a write cycle is the 3 State fixation.

In the burst read cycle by LCDC, a mode setup, a pre-charge cycle, and a refresh cycle are automatically inserted in a read cycle front and back.

(Note)

In SDRAM access cycle, WAIT setup by the CS/WAIT controller (CS1 ) is disregarded. The wait setting of CS1 should be 0 wait.

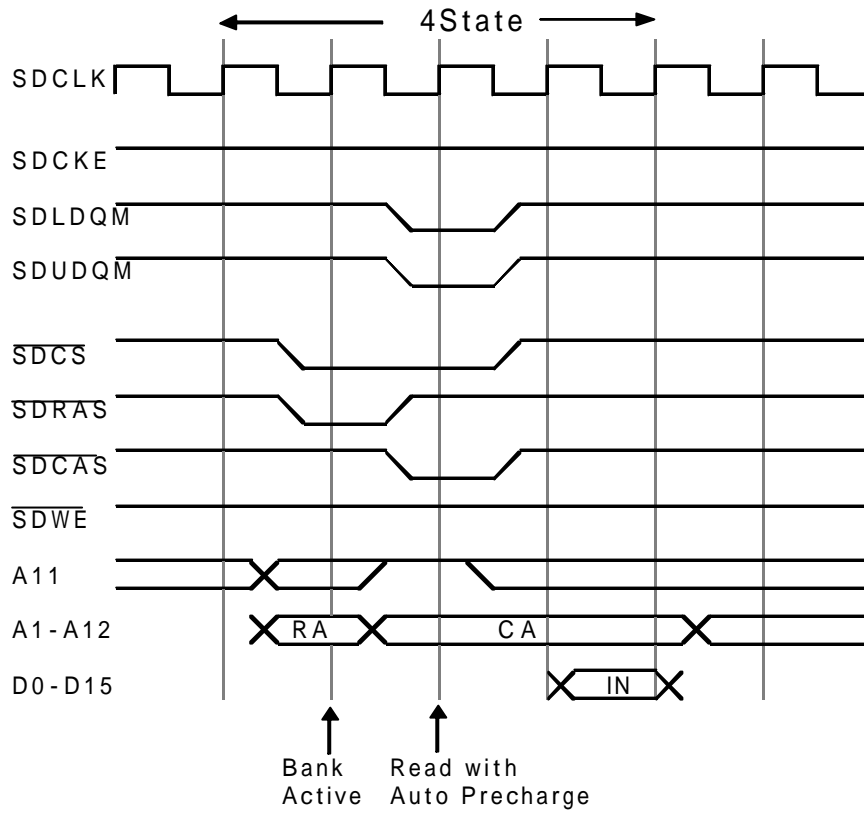


Figure 3.16.2(1) SDRAM Access Timing ( CPU Read)



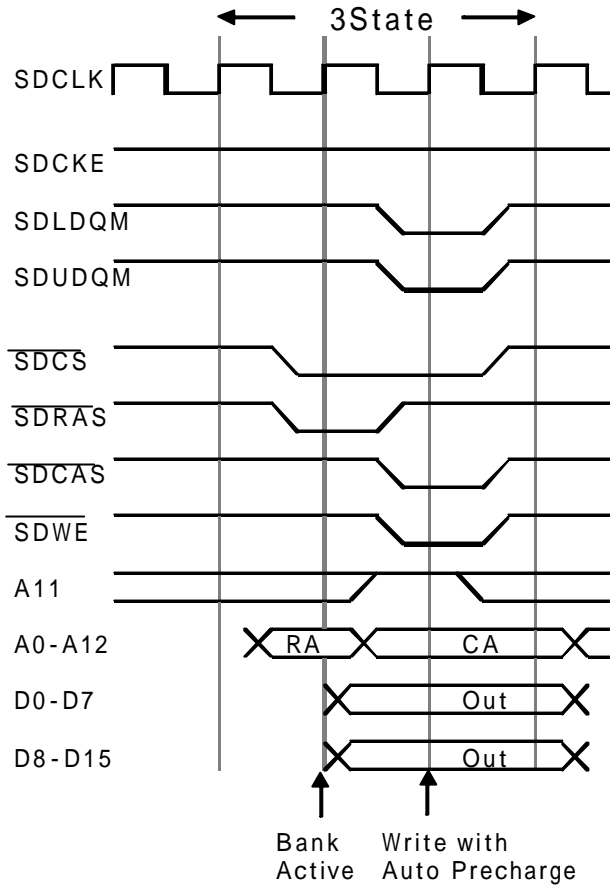


Figure 3.16.2(2) SDRAM Access Timing ( CPU 16bit Write)

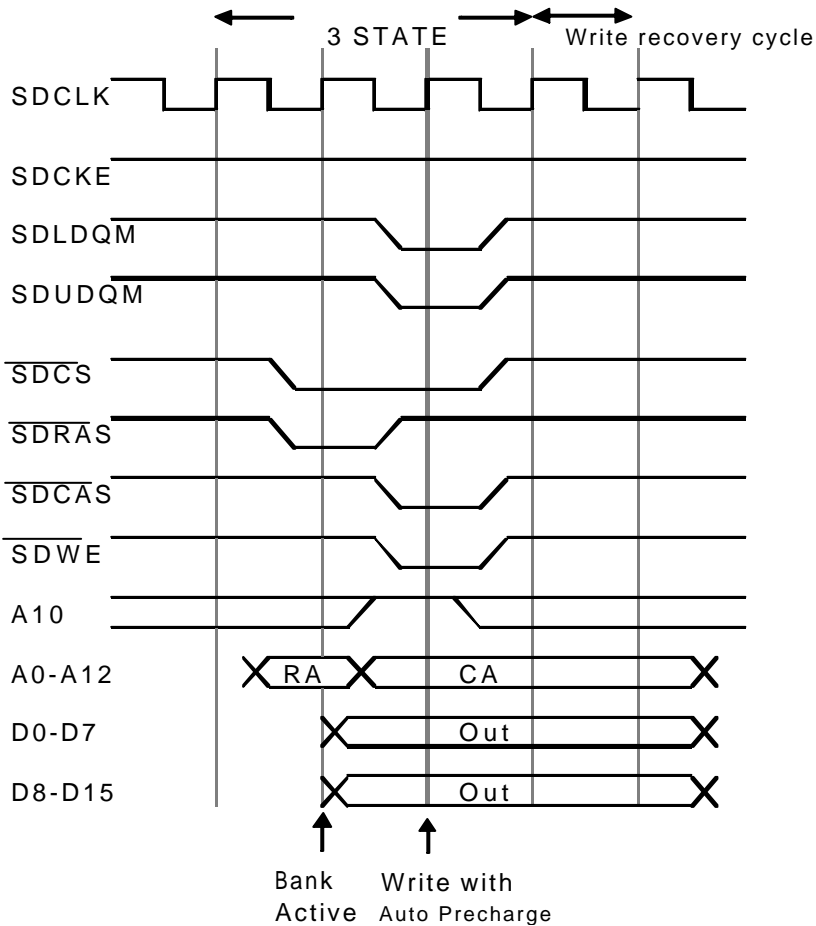


Figure 3.16.2(3) SDRAM Access Timing (CPU 16bit Write, Write Recovery 2clock)

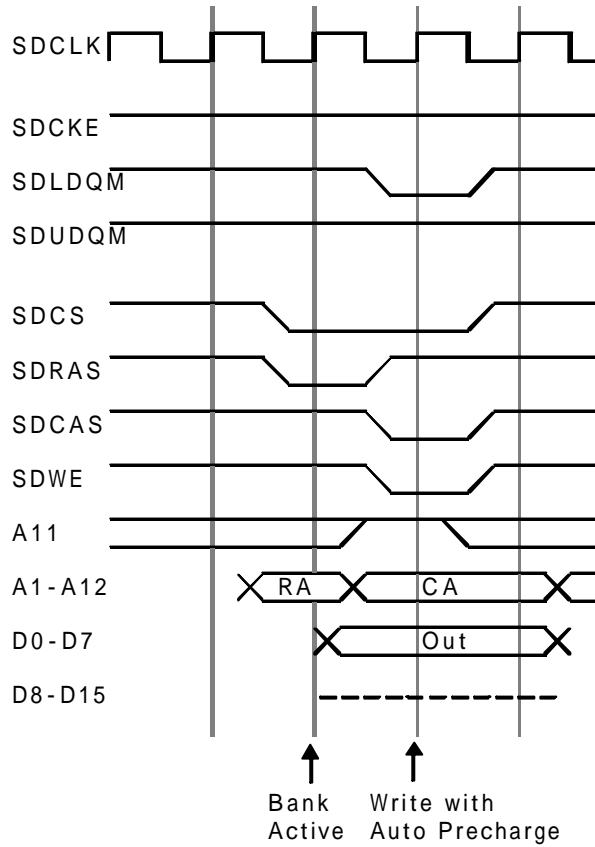


Figure 3.16.2(4) SDRAM Access Timing ( CPU Lower byte Wri

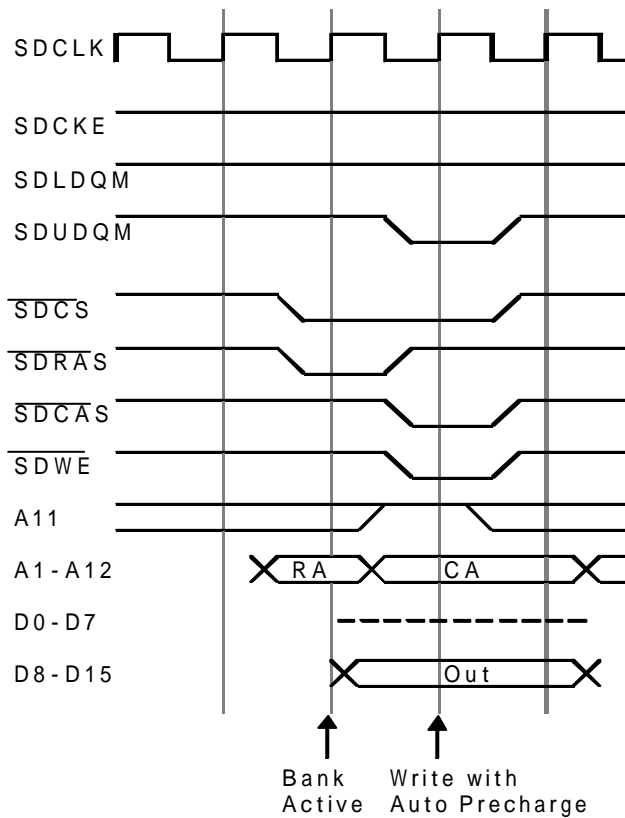


Figure 3.16.2(5) SDRAM Access Timing ( CPU Uper byte Write)

165State(160Word Read)

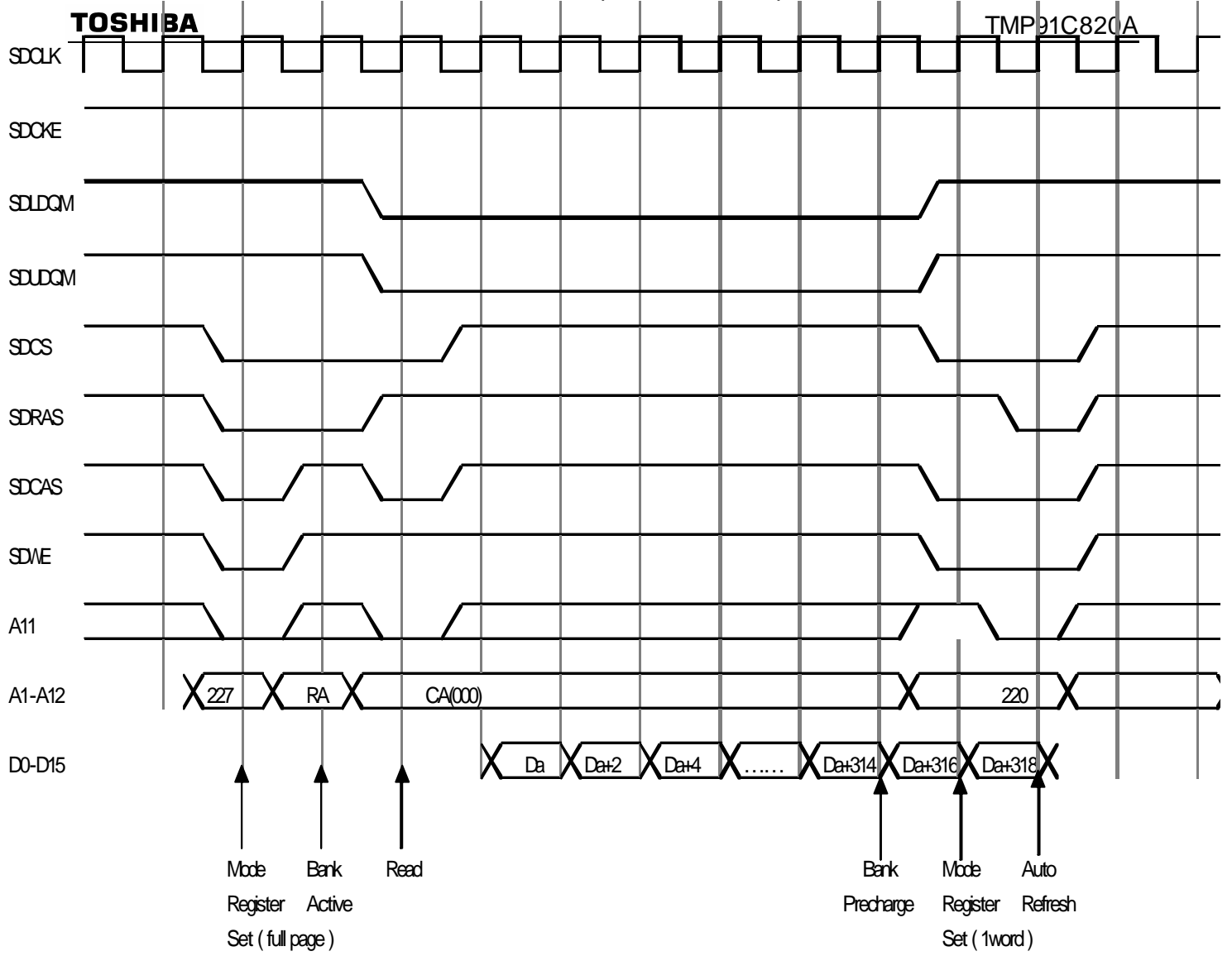


Figure 3.162(6) SDRAM Access Timing (LCD C Burst Read)

(2) Refresh Control

TMP91C820A can generate automatically an auto refresh cycle required for data maintenance of SDRAM. Refreshment interval can be set up by SDRCR <SR 0-2> from the 78 State to the 312 State (5.8us-23.1us @27MHz).

By setting SDRCR <SRC> to "1", a refresh cycle is generated at the interval set up by <SRS 0-2>.

The generating timing of a refresh cycle becomes into access cycles other than SDRAM area(CS1) after the interval set up by <SRS 0-2> .

The refresh cycle is shown in Fig. 3.16.2 (7). Moreover, the refreshment interval is shown in Table 3.16.2 (1).

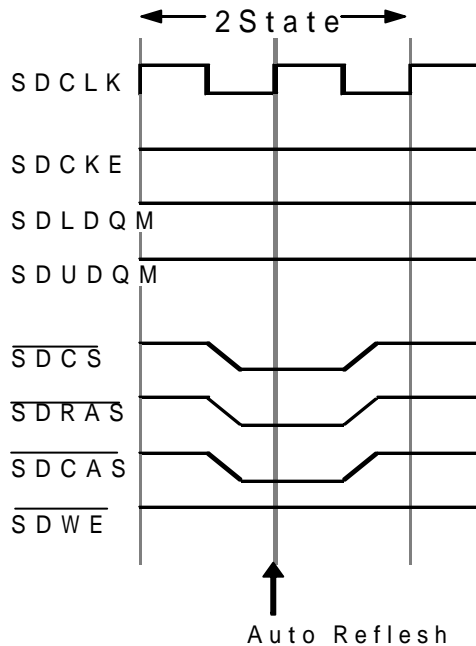


Fig. 3.16.2(7) Refresh Cycle

Table 3.16.2 (1) Auto Refresh Cycle Insertion Interval

<SRS2:0>setting			Insertion interval (state)	Frequency (fosc)					
SRS2	SRS1	SRS0		10MHz	12.5MHz	16MHz	20MHz	25MHz	27MHz
0	0	0	78	15.6	12.5	9.8	7.8	6.2	5.8
0	0	1	97	19.4	15.5	12.1	9.7	7.8	7.2
0	1	0	124	24.8	19.8	15.5	12.4	9.9	9.2
0	1	1	156	31.2	25.0	19.5	15.6	12.5	11.5
1	0	0	195	39.0	31.2	24.4	19.5	15.6	14.4
1	0	1	210	42.0	33.6	26.3	21.0	16.8	15.5
1	1	0	247	49.4	39.5	30.9	24.7	19.8	18.3
1	1	1	312	62.4	49.9	39.0	31.2	25.0	23.1

(Unit: us)

It does not generate interval refreshment during the burst access to SDRAM by LCDC. The interval refreshment demand generated in the meantime is held only once. When it returns to CPU access cycle, an interval refresh cycle is generated.

Furthermore, TMP91C820A can generate a self refresh cycle. The timing of a self refresh cycle is shown in Fig. 3.16.2 (8).

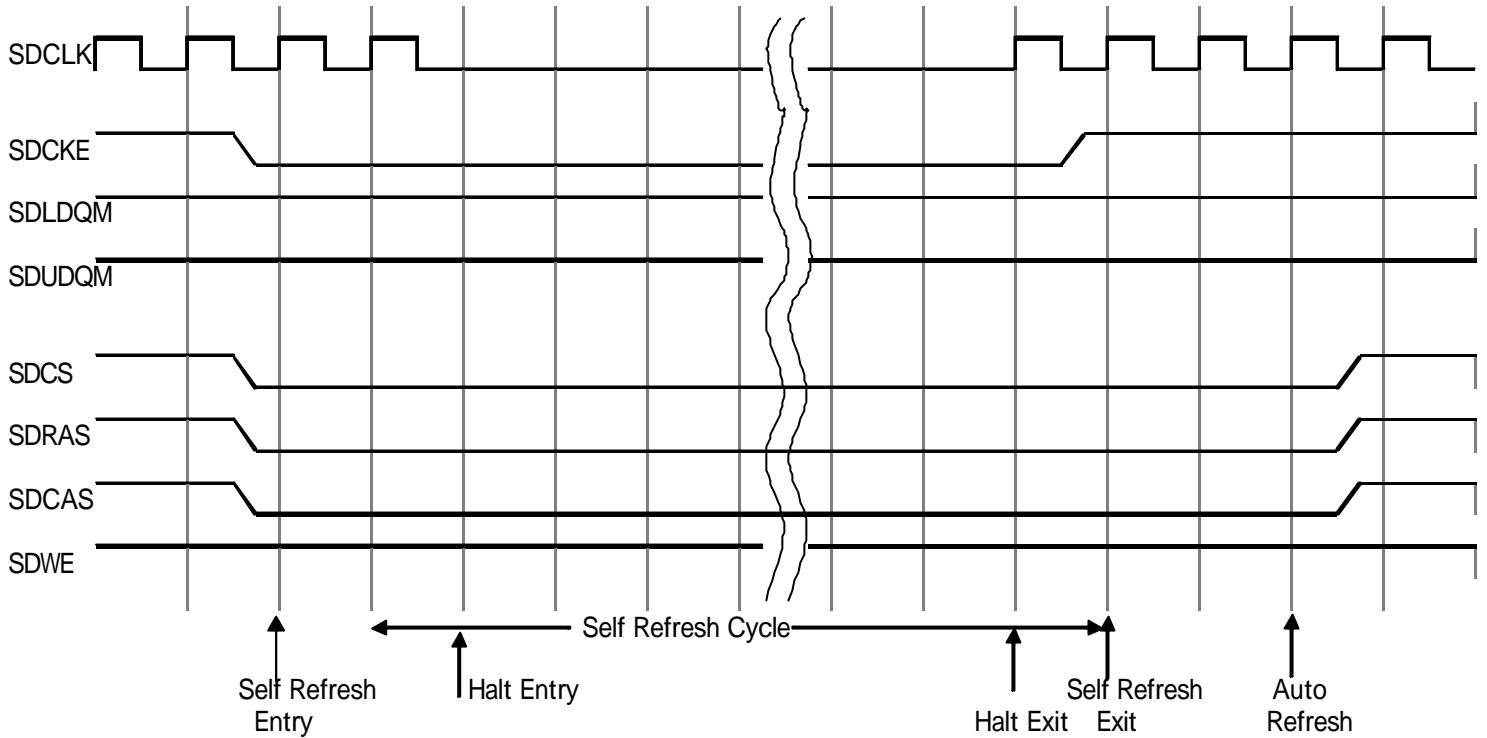


Fig. 3.16.2(8) Self Refresh Cycle

NOTE1: SDCLK is output in the IDLE2 mode . Therefore if you stop SDCLK , change PF6 pin to output port before the HALT instruction.

NOTE2: Pin condition under the IDLE1/ STOP mode depends on the setting of SYSCR2<DRVE> . However SDCKE doesn't depend on it but outputs LOW level.

If SDRCR <SFRC> is set to "1", the self-refresh cycle shown in Fig. 3.16.2 (8) will occur. The self refreshment mode is used when using the standby mode (STOP, IDLE1) which an internal clock stops. Before HALT command (STOP, IDLE1) of interval refreshment in the state of enable, please set SDRCR <SFRC> to "1."

Release of a self-refresh cycle is automatically performed by release in the standby mode. It inserts automatically one interval refreshment after self refreshment release, and returns to the interval refreshment mode.

(Note: When HALT is cancelled by a reset, the I/O registers are initialized, therefore, refresh is not performed.) .

Please do not place the command which accesses SDRAM just before the command which sets "1" to SDRCR <SFRC>. After setting SDRCR<SFRC> to "1" , make sure that the HALT instruction comes after NOP or some instruction.

(3) SDRAM Initialize

TMP91C820A can generate the cycle of the following required at the time of the power-supply injection to SDRAM. The cycle is shown in Fig. 3.16.2 (9).

1. Pre-charge of all banks
2. The initial configuration to a mode register
3. The refresh cycle of 8 cycles

The above-mentioned cycle is generated by setting "1" to SDACR <SDINI>.

Time after SDACR <SDINI> is set to "1" until an initialization cycle is performed changes with following commands.

While performing this cycle, operation (an instruction fetch, command execution) of CPU is stopped.

In addition, even before performing an initialization cycle, a port needs to be set as SDRAM control signal and an address signal (A1-A12).

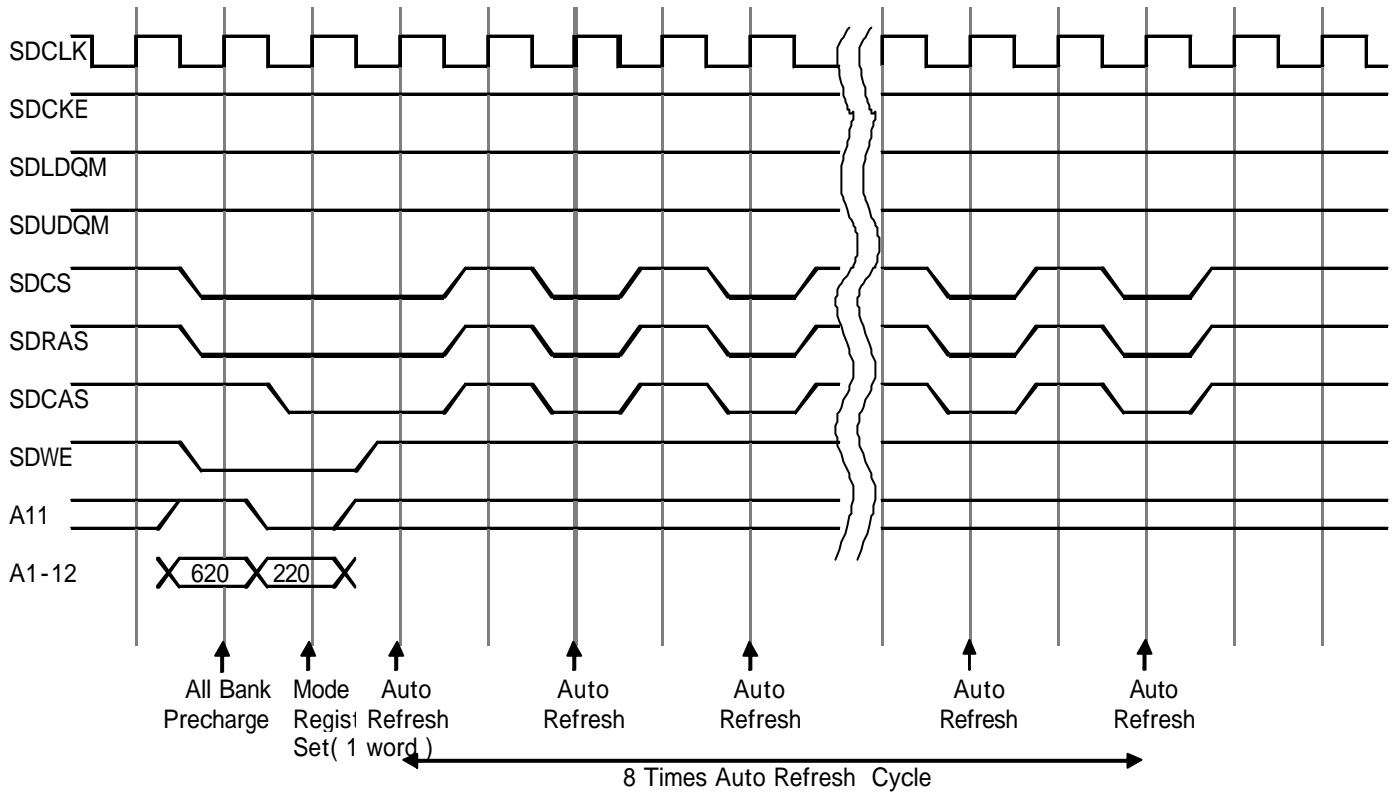
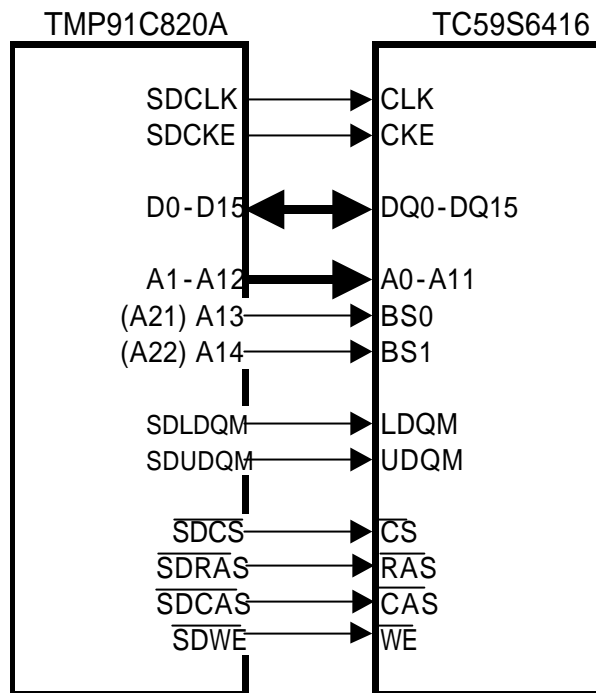


Fig. 3.16.2 (9) Initialize Cycle

(4) Connection Example

The example of connection with SDRAM is shown in figure 3.16.2. (9).



(1Mword × 4Banks × 16bit)

Fig. 3.16.2 (10) Connection with SDRAM

### 3.1716-Bit Timer/Event Counters (TMRB)

The TMP91C820A incorporates one multifunctional 16-bit timer/event counter (TMRB0) which have the following operation modes:

- 16-Bit Interval Timer Mode
- 16-Bit Event Counter Mode
- 16-Bit Programmable Pulse Generation (PPG) Mode  
Can be used following operation modes by capture function:
- Frequency Measurement Mode
- Pulse Width Measurement Mode
- Time Differential Measurement Mode

Timer/event counter consists of a 16-bit up-counter, two 16-bit timer registers (one of them with a double-buffer structure), a 16-bit capture registers, two comparators, a capture input controller, a timer flip-flop and a control circuit.

Timer/event counter is controlled by an 11-byte control SFR.

This chapter consists of the following items:

- 3.17.1 Block diagram
- 3.17.2 Operation of each block
- 3.17.3 SFRs
- 3.17.4 Operation in each mode
  - (1) 16-Bit Interval Timer Mode
  - (2) 16-Bit Programmable Pulse Generation (PPG) Mode

Table 3.17.1 Pins and SFR of TMRB0

Spec		Channel	TMRB0
External Pins	External clock / Capture trigger input pins		None
	Timer flip-flop output pins		TB0OUT0 (also used as P B6)
SFR (address)	Timer Run Register		TB0RUN (0180H)
	Timer Mode Register		TB0MOD (0182H)
	Timer Flip-Flop Control Register		TB0FFCR (0183H)
	Timer Register		TB0RG0L (0188H)
			TB0RG0H (0189H)
		TB0RG1L (018AH)	
		TB0RG1H (018BH)	
Capture Register		TB0CP0L (018CH)	
		TB0CP0H (018DH)	
		TB0CP1L (018EH)	
		TB0CP1H (018FH)	



3.17.1 Block diagrams

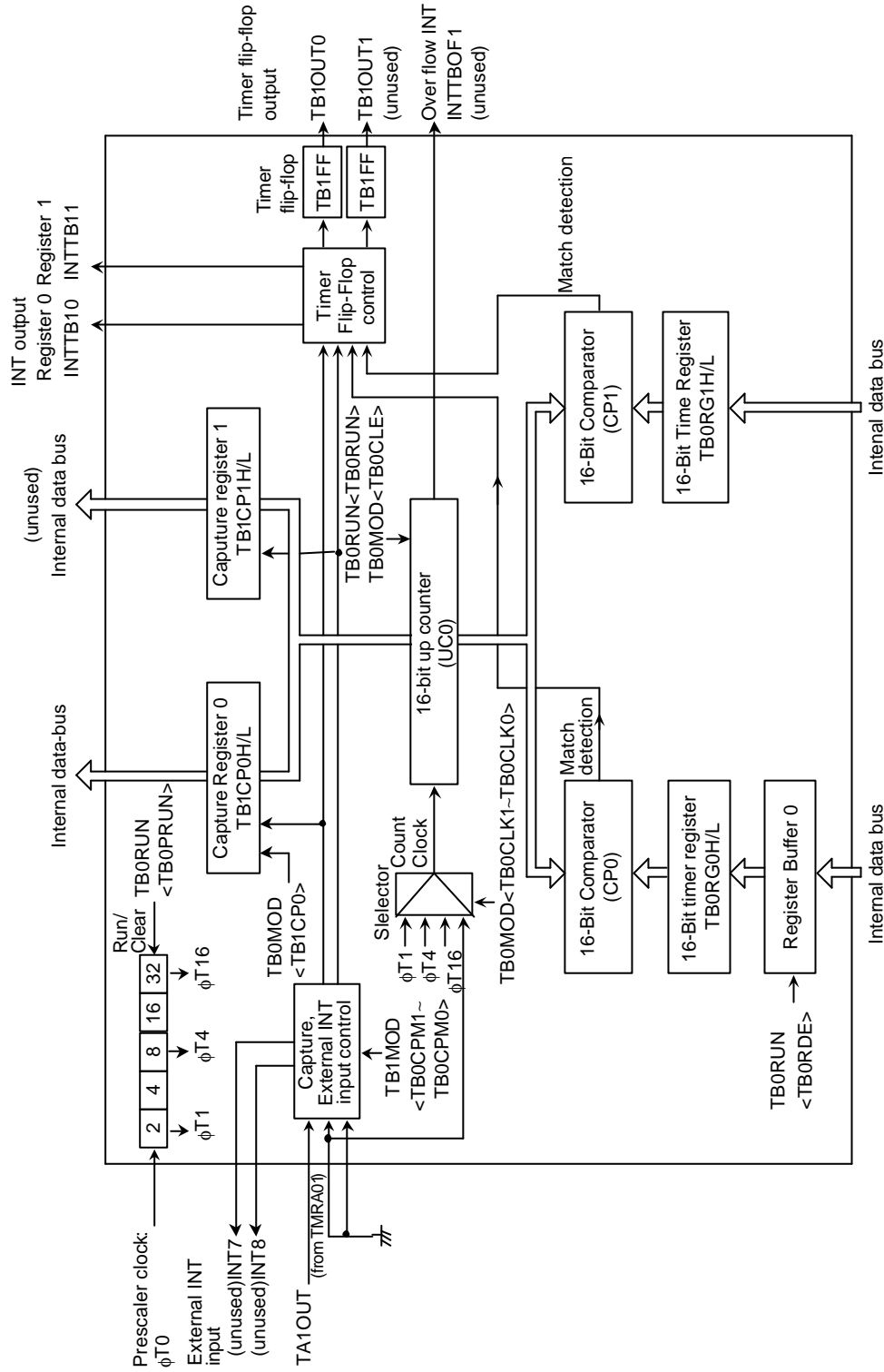


Figure 3.17.1 Block Diagram of TMRB0

### 3.17.2 Operation

#### (1) Prescaler

The 5-bit prescaler generates the source clock for TMRB0. The prescaler clock ( $T_0$ ) is divided clock (divided by 4) from selected clock by the register SYSCR0<PRCK1~PRCK0> of clock-gear. This prescaler can be started or stopped using TB0RUN<TB0RUN>. Counting starts when <TB0RUN> is set to 1; the prescaler is cleared to zero and stops operation when <TB0RUN> is set to 0.

Table 3.17.2. Prescaler clock resolution

@fc = 16 MHz, fs = 32.768 kHz

System Clock Selection <SYSCK>	Prescaler Clock Selection <PRCK1~PRCK0>	Clock Gear Value <GEAR2~GEAR0>	Prescaler Clock Resolution		
			T1	T4	T16
1 (fs)		XXX	$fs/2^3$ (244 $\mu$ s)	$fs/2^5$ (977 $\mu$ s)	$fs/2^7$ (3.9 $\mu$ s)
0 (fc)	00 (f <sub>FPH</sub> )	000 (fc)	$fc/2^3$ (0.5 $\mu$ s)	$fc/2^5$ (2.0 $\mu$ s)	$fc/2^7$ (8.0 $\mu$ s)
		001 (fc/2)	$fc/2^4$ (1.0 $\mu$ s)	$fc/2^6$ (4.0 $\mu$ s)	$fc/2^8$ (16 $\mu$ s)
		010 (fc/4)	$fc/2^5$ (2.0 $\mu$ s)	$fc/2^7$ (8.0 $\mu$ s)	$fc/2^9$ (32 $\mu$ s)
		011 (fc/8)	$fc/2^6$ (4.0 $\mu$ s)	$fc/2^8$ (16 $\mu$ s)	$fc/2^{10}$ (64 $\mu$ s)
		100 (fc/16)	$fc/2^7$ (8.0 $\mu$ s)	$fc/2^9$ (32 $\mu$ s)	$fc/2^{11}$ (128 $\mu$ s)
		10 (fc/16 clock)	XXX	$fc/2^7$ (8.0 $\mu$ s)	$fc/2^9$ (32 $\mu$ s)

xxx: Don't care

#### (2) Up-counter (UC0)

UC0 is a 16-bit binary counter which counts up pulses input from the clock specified by TB0MOD <TB0CLK1,TB0CLK0>.

Any one of the prescaler internal clocks T1, TB0 and T16 or an external clock input via the TB0IN0 pin can be selected as the input clock. Counting or stopping & clearing of the counter is controlled by TB0RUN<TB0RUN>.

When clearing is enabled, the up-counter UC0 will be cleared to zero each time its value matches the value in the timer register TB0RG1H/L. Clearing can be enabled or disabled using TB0MOD<TB0CLE>.

If clearing is disabled, the counter operates as a free-running counter.

A Timer Overflow interrupt (INTTBOF0) is generated when UC0 overflow occurs.

(3) Timer registers (TB0RG0 and TB0RG1)

These two 16-bit registers are used to set the interval time. When the value in the up-counter UC0 matches the value set in this timer register, the Comparator Match Detect signal will go Active.

Setting data for timer register is executed using 2 byte data transfer instruction or using 1 byte data transfer instruction twice for lower 8 bits and upper 8 bits in order.

The TB0RG0 timer register has a double-buffer structure, which is paired with register buffer. The value set in TB0RUN<TB0RDE> determines whether the double-buffer structure is enabled or disabled: it is disabled when <TB0RDE> = 0, and enabled when <TB0RDE> = 1.

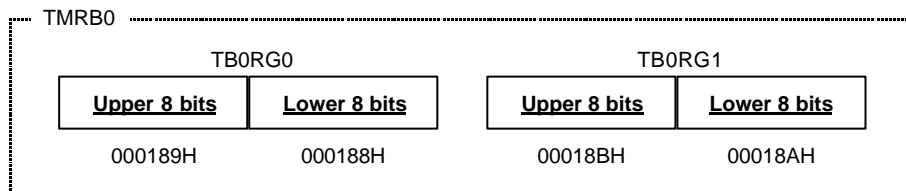
When the double buffer is enabled, data is transferred from the register buffer to the timer register when the values in the up-counter (UC0) and the timer register TB0RG1 match.

After a Reset, TB0RG0 and TB0RG1 are undefined. If the 16-bit timer is to be used after a Reset, data should be written to it beforehand.

On a Reset <TB0RDE> is initialized to 0, disabling the double buffer. To use the double buffer, write data to the timer register, set <TB0RDE> to 1, then write data to the register buffer as shown below.

TB0RG0 and the register buffer both have the same memory addresses (000188H & 000189H) allocated to them. If <TB0RDE> = 0, the value is written to both the timer register and the register buffer. If <TB0RDE> = 1, the value is written to the register buffer only.

The addresses of the Timer Registers are as follows:



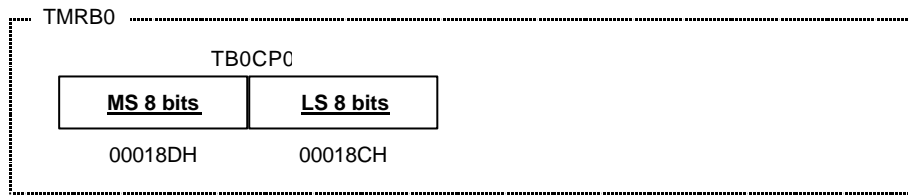
The Timer Registers are write-only registers and thus cannot be read.

## (4) Capture Registers (TB0CP0H/L)

These 16-bit registers are used to latch the values in the up-counters.

Data in the Capture Registers should be read using a 2-byte data load instruction or two 1-byte data load instructions. The least significant byte is read first, followed by the most significant byte.

The addresses of the Capture Registers are as follows:



The Capture Registers are read-only registers and thus cannot be written to.

## (5) Capture input control

This circuit controls the timing to latch the value of up-counter UC0 into TB0CP0, TB0CP1

The value in the up-counter can be loaded into a capture register by software. Whenever 0 is written to TB0MOD<TB0CP0>, the current value in the up-counter is loaded into capture register TB0CP0. It is necessary to keep the prescaler in Run Mode (i.e. TB0RUN<TB0PRUN> must be held at a value of 1).

## (6) Comparators (CP0 &amp; CP1)

CP0 and CP1 are 16-bit comparators which compare the value in the up-counter UC0 with the value set in TB0RG0 or TB0RG1 respectively, in order to detect a match. If a match is detected, the comparator generates an interrupt (INTTB00 or INTTB01 respectively).

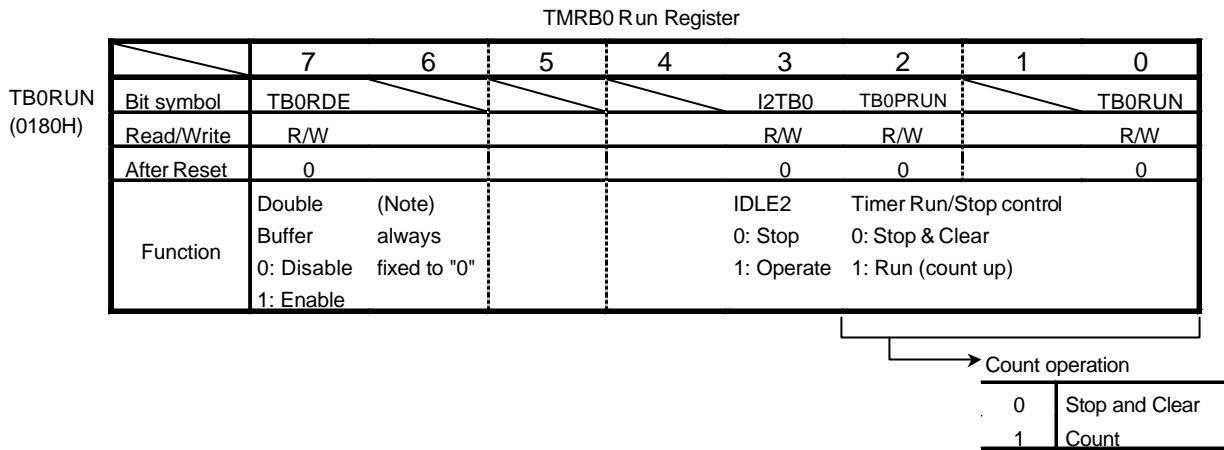
## (7) Timer flip-flops (TB0FF0 &amp; TB0FF1)

These flip-flops are inverted by the match detect signals from the comparators and the latch signals to the Capture Registers. Inversion can be enabled and disabled for each element using TB0FFCR<TB0C0T1,TB0E1T1,TB0E0T1>.

After a Reset the value of TB0FF0 is undefined. If "00" is written to TB0FFCR<TB0FF0C1,TB0FF0C0> or <TB0FF1C1,TB0FF1C0>, TB0FF0 will be inverted. If "01" is written to the capture registers, the value of TB0FF0 will be set to "1". If "10" is written to the capture registers, the value of TB0FF0 will be set to "0".

The values of TB0FF0 can be output via the Timer Output pins TB0OUT0 (which is shared with PB6). Timer output should be specified using the Port B Function Register.

3.17.3 SFR



I2TB0: Operation during IDLE2-mode  
 TB0PRUN: Operation of prescaler  
 TB0RUN: Operation of TMRB0

Note: The 1, 4 and 5 of TB0RUN are read as underfined value.

Figure 3.17.2 The Registers for TMRB

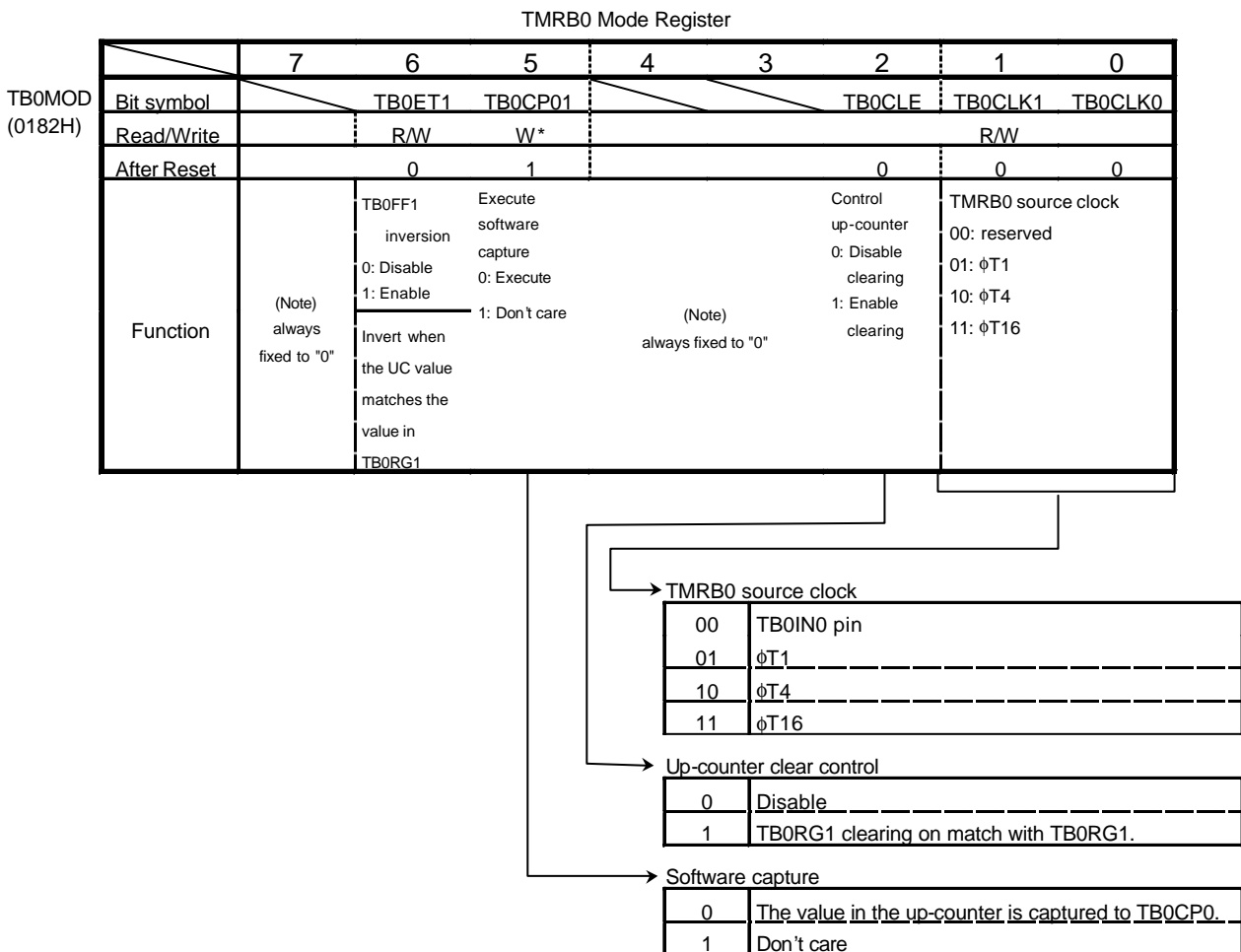


Figure 3.17.3 The registers for TMRB

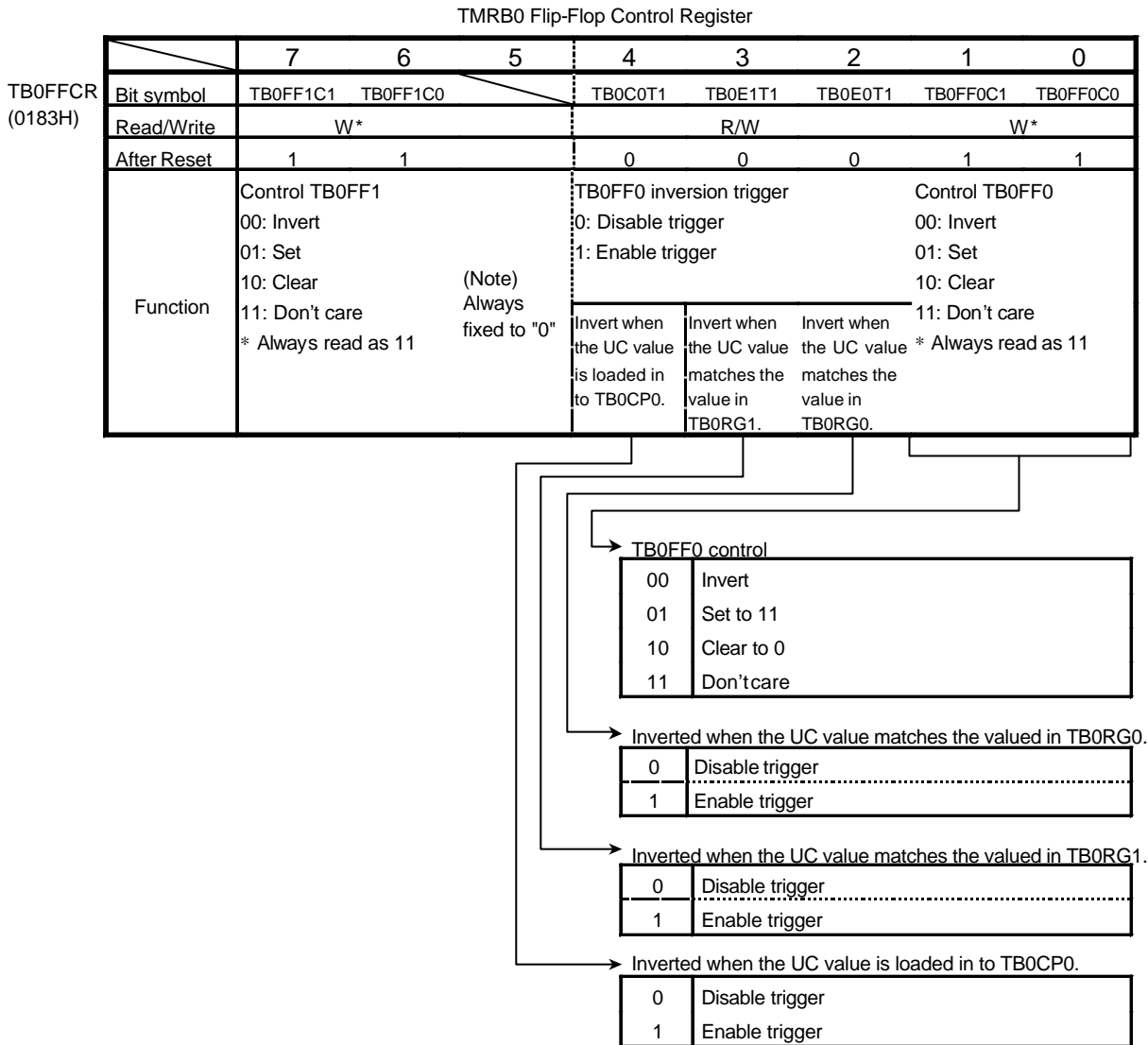


Figure 3.17.4 The Registers for TMRB

3.17.4 Operation in each mode

(1) 16-Bit Timer Mode

Generating interrupts at fixed intervals

In this example, the interrupt INTTB01 is set to be generated at fixed intervals. The interval time is set in the timer register TBORG1.

		7	6	5	4	3	2	1	0	
TBORUN	←	0	0	X	X	-	0	X	0	Stop TMRB0.
INTETB01	←	X	1	0	0	X	0	0	0	Enable INTTB01 and set Interrupt Level 4. Disable INTTB00.
TB0FFCR	←	1	1	0	0	0	0	1	1	Disable the trigger.
TB0MOD	←	0	0	1	0	0	1	*	*	Select internal clock for input and disable the capture function.
										(** = 01, 10, 11)
TBORG1	←	*	*	*	*	*	*	*	*	Set the interval time (16 bits).
		*	*	*	*	*	*	*	*	
TBORUN	←	0	0	X	X	-	1	X	1	Start TMRB0.

Note: X = Don't care; "-" = No change

(2) 16-Bit Programmable Pulse Generation (PPG) Output Mode

Square wave pulses can be generated at any frequency and duty ratio. The output pulse may be either Low-active or High-active.

The PPG mode is obtained by inversion of the timer flip-flop TB0FF0 that is to be enabled by the match of the up-counter UC0 with timer register TBORG0 or TBORG1 and to be output to TB0OUT0. In this mode the following conditions must be satisfied.

$$(Value\ set\ in\ TBORG0) < (Value\ set\ in\ TBORG1)$$

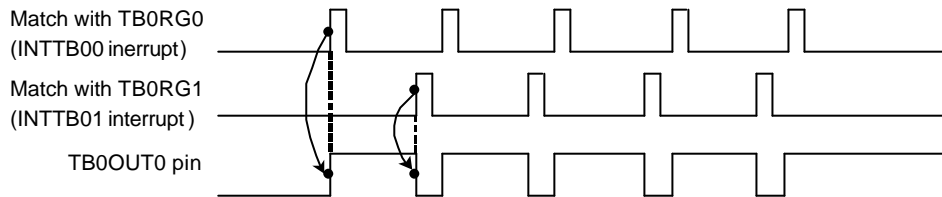


Figure 3.17.5 Programmable Pulse Generation (PPG) Output Waveforms

When the TBORG0 double buffer is enabled in this mode, the value of Register Buffer 0 will be shifted into TBORG0 at match with TBORG1. This feature facilitates the handling of low-duty waves.

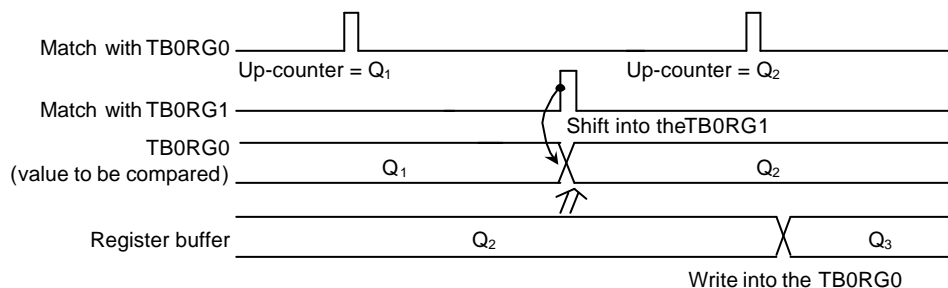


Figure 3.17.6 Operation of Register Buffer

The following block diagram illustrates this mode.

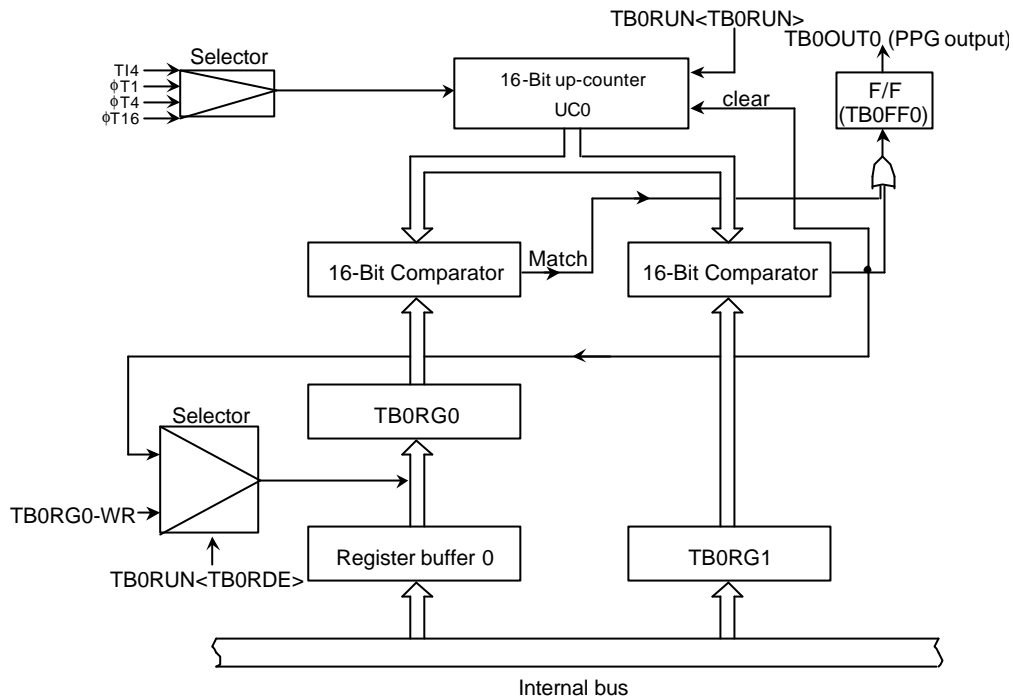


Figure 3.17.7 Block Diagram of 16-BIT Mode

The following example shows how to set 16-Bit PPG Output Mode:

	7	6	5	4	3	2	1	0	
TB0RUN	← 0	0	X	X	-	0	X	0	Disable the TB0RG0 double buffer and stop TMRB0.
TB0RG0	← *	*	*	*	*	*	*	*	Set the duty ratio (16 bits).
TB0RG1	← *	*	*	*	*	*	*	*	Set the frequency (16 bits).
TB0RUN	← 1	0	X	X	-	0	X	0	Enable the TB0RG0 double buffer. (The duty and frequency are changed on an INTTB01 interrupt.)
TB0FFCR	← X	X	0	0	1	1	1	0	Set the mode to invert TB0FF0 at the match with TB0RG0/TB0RG1. Set TB0FF0 to 0.
TB0MOD	← 0	0	1	0	0	1	*	*	Select the internal clock as the input clock and disable the capture function.
P8CR	← -	1	-	-	-	X	-	-	} Set P82 to function as TB0OUT0.
P8FC	← -	1	-	-	-	X	-	-	
TB0RUN	← 1	0	X	X	-	1	X	1	Start TMRB0.

Note: X = Don't care; "-" = No change



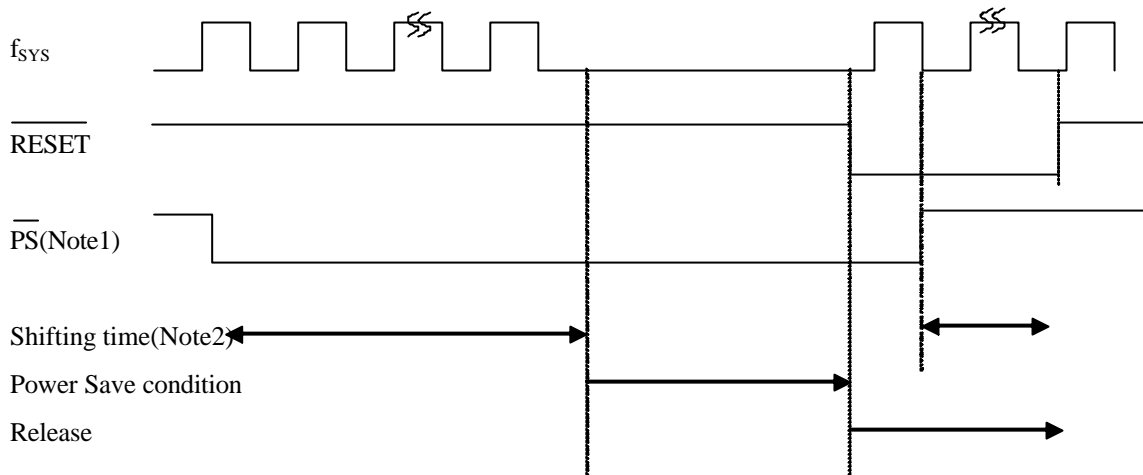
### 3.18 Hardware stand-by function

TMP91C820A have hardware stand-by circuit that is able to save the power consumption and protect from program runaway by supplying power voltage down. Especially, it's useful in case of battery using.

It can be shifted to "PS condition" by fixed  $\overline{PS}$  pin to "LOW" level.

Figure 3.18.1 shows timing diagram of transition of PS condition below

PS condition can be released by only external RESET.



Note 1:  $\overline{PS}$  pin is effective after RESET because SYSCR2<PSENV> to '0'. If you use as  $\overline{NMI}$  pin , please write SYSCR2<PSENV> to '1'.

Note 2: Shifting time is 2~10-clock times of  $f_{SYS}$ .

Figure 3.18.1 hardware stand-by timing diagram

Table 3.18.1 Power Save conditions of each HALT mode

HALT mode setting	IDLE2	IDLE1	STOP
PS condition	IDLE1 mode + High frequency stop	IDLE1 mode + High frequency stop	STOP mode

Note: Settings of SYSCR2<DRVE> and <SELDRV> at HALT mode are effective as well as PS condition.

## 4. Electrical Characteristics

### 4.1 Absolute Maximum Ratings

Parameter	Symbol	Rating	Unit
Power Supply Voltage	V <sub>CC</sub>	-0.5 to 4.0	V
Input Voltage	V <sub>IN</sub>	-0.5 to V <sub>CC</sub> + 0.5	V
Output Current	I <sub>OL</sub>	2	mA
Output Current	I <sub>OH</sub>	-2	mA
Output Current	ΣI <sub>OL</sub>	80	mA
Output Current	ΣI <sub>OH</sub>	-80	mA
Power Dissipation (T <sub>a</sub> = 85°C)	PD	600	mW
Soldering Temperature (10 s)	TSOLDER	260	°C
Storage Temperature	TSTG	-65 to +150	°C
Operating Temperature	TOPR	-20 to +70	°C

### 4.2 DC Characteristics (1/2)

Parameter		Symbol	Condition	Min	Typ (Note1)	Max	Unit
Power Supply Voltage ( AV <sub>CC</sub> = DV <sub>CC</sub> ) ( AV <sub>SS</sub> = DV <sub>SS</sub> = 0 V )		V <sub>CC</sub>	fc = 4 ~ 27MHz fs = 30 to 34kHz	2.7	-	3.6	V
Input Low	D0 to 15 PZ2 to PD7(except PB3,P9) /RESET,/NMI, PB3(INT0),P9 AM0 to 1 X1	V <sub>IL</sub>	V <sub>CC</sub> 2.7V	-0.3	-	0.6	V
		V <sub>IL1</sub>	V <sub>CC</sub> 2.7V		-	0.3V <sub>CC</sub>	
		V <sub>IL2</sub>	V <sub>CC</sub> 2.7V		-	0.25V <sub>CC</sub>	
		V <sub>IL3</sub>	V <sub>CC</sub> 2.7V		-	0.3	
		V <sub>IL4</sub>	V <sub>CC</sub> 2.7V		-	0.2V <sub>CC</sub>	
Input High	D0 to 15 PZ2 to PD7(except PB3,P9) /RESET,/NMI, PB3(INT0),P9 AM0 to 1 X1	V <sub>IH</sub>	3.6V V <sub>CC</sub> 2.7V	2.0	-	V <sub>CC</sub> +0.3	V
		V <sub>IH1</sub>	V <sub>CC</sub> 2.7V	0.7V <sub>CC</sub>	-		
		V <sub>IH2</sub>	V <sub>CC</sub> 2.7V	0.75V <sub>CC</sub>	-		
		V <sub>IH3</sub>	V <sub>CC</sub> 2.7V	V <sub>CC</sub> -0.3	-		
		V <sub>IH4</sub>	V <sub>CC</sub> 2.7V	0.8V <sub>CC</sub>	-		
Output Low Voltage		V <sub>OL</sub>	I <sub>OL</sub> =1.6mA V <sub>CC</sub> 2.7V	-	-	0.45	V
Output High Voltage		V <sub>OH</sub>	I <sub>OH</sub> =-400uA V <sub>CC</sub> 2.7V	2.4	-	-	

Note1: Typical values are for when T<sub>a</sub> = 25°C and V<sub>CC</sub> = 3.0 V unless otherwise noted.

## 4.2 DC Characteristics (2/2)

Parameter	Symbol	Condition	Min	Typ (Note1)	Max	Unit
Input Leakage Current	ILI	0.0 VIN Vcc	-	0.02	± 5	μ A
Output Leakage Current	ILO	0.2 VIN Vcc-0.2	-	0.05	± 10	
Power Down Voltage (@STOP, RAM Back up)	VSTOP	VIL2 = 0.2Vcc, VIH2 = 0.8Vcc	1.8	-	3.6	V
RESET Pull Up Resister	RRT	3.6V Vcc 2.7V	100	-	400	k
Pin Capacitance	CIO	fc = 1MHz	-	-	10	pF
Schmitt Width /RESET/NMI, INT0,KI0-7	VTH	Vcc 2.7V	0.4	1.0	-	V
Programmable Pull Up Resistor	RKH	3.6V Vcc 2.7V	100	-	400	k
NORMAL (Note2)	Icc	Vcc = 3.6V fc = 36MHz	-	23.0	35.0	mA
IDLE2			-	16.0	23.0	
IDLE1			-	1.6	3.0	
SLOW (Note2)		Vcc = 3.6V fs=32.768kHz	-	23.0	45.0	μ A
IDLE2			-	14.0	35.0	
IDLE1			-	6.0	25.0	
STOP	Vcc = 3.6V	-	0.2	15.0	μ A	

Note1: Typical values are for when Ta = 25°C and Vcc = 3.0 V unless otherwise noted.

Note2: Icc measurement conditions (NORMAL, SLOW):

All functions are operational; output pins are open and input pins are fixed.

## 4.3 AC Characteristics

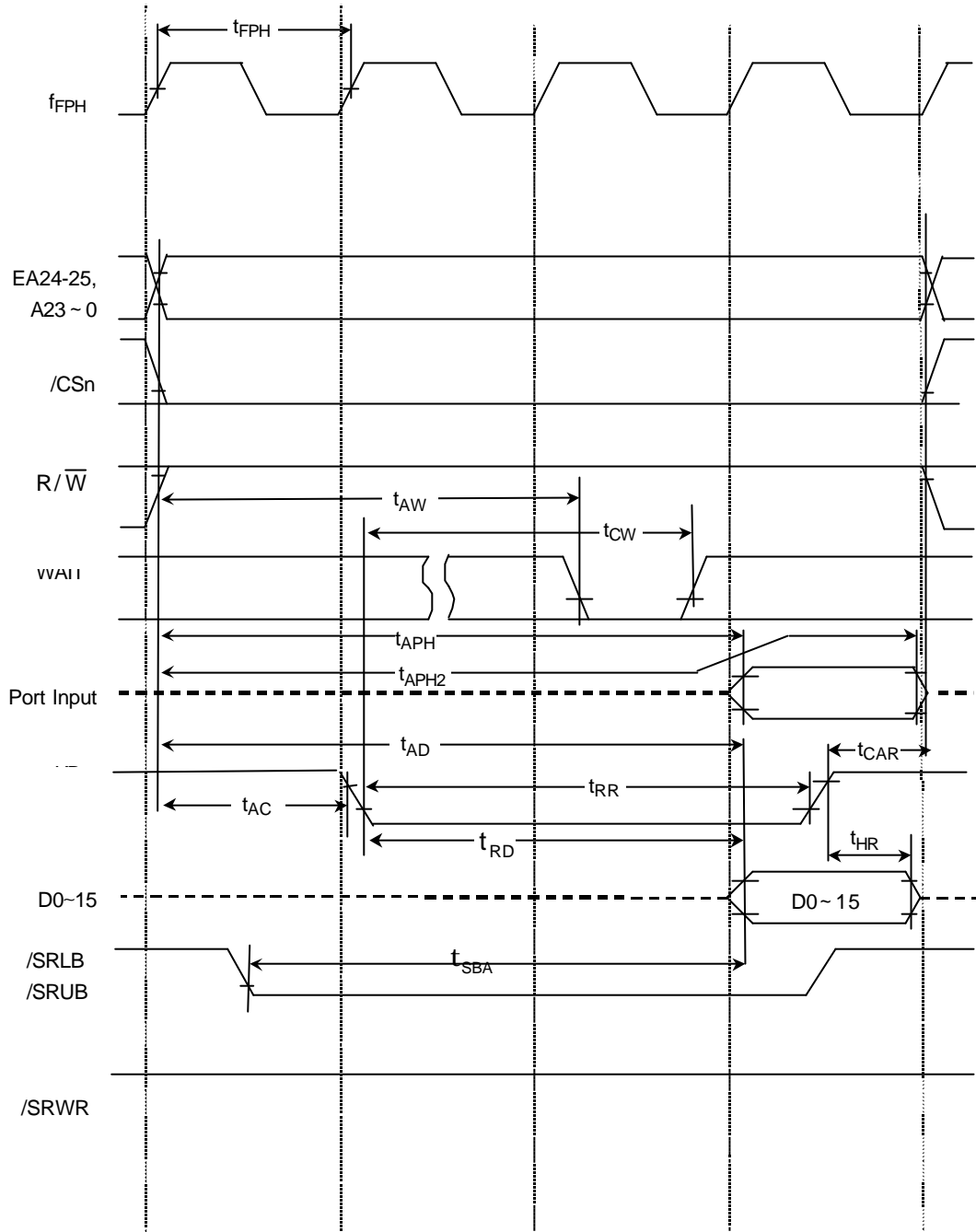
V<sub>CC</sub> = 2.7 ~ 3.6 V case of f<sub>FPH</sub> = 27 MHzV<sub>CC</sub> = 3.0 ~ 3.6 V case of f<sub>FPH</sub> = 36 MHz

No.	Symbol	Parameter	Variable		f <sub>FPH</sub> = 27 MHz		f <sub>FPH</sub> = 36 MHz		Unit
			Min	Max	Min	Max	Min	Max	
1	t <sub>FPH</sub>	f <sub>FPH</sub> Period (=x)	27.7	31250	37		27.7		ns
2	t <sub>AC</sub>	A0 to 23 Valid → $\overline{\text{RD}} / \overline{\text{WR}}$ Fall	x - 23		14		4.7		ns
3	t <sub>CAR</sub>	$\overline{\text{RD}}$ Rise → A0 to A23 Hold	0.5x - 13		5.5		0.85		ns
4	t <sub>CAW</sub>	$\overline{\text{WR}}$ Rise → A0 to A23 Hold	x - 13		24		14.7		ns
5	t <sub>AD</sub>	A0 to A23 Valid → D0 to D15 Input		3.5x - 24		105.5		72.95	ns
6	t <sub>RD</sub>	$\overline{\text{RD}}$ Fall → D0 to D15 Input		2.5x - 24		68.5		45.25	ns
7	t <sub>RR</sub>	$\overline{\text{RD}}$ Low Width	2.5x - 15		77.5		54.25		ns
8	t <sub>HR</sub>	$\overline{\text{RD}}$ Rise → D0 to D15 Hold	0		0		0		ns
9	t <sub>WW</sub>	$\overline{\text{WR}}$ Low Width	2x - 15		59		40.4		ns
10	t <sub>DW</sub>	D0 to D15 Valid → $\overline{\text{WR}}$ Rise	1.5x - 35		20.5		5.5		ns
11	t <sub>WD</sub>	$\overline{\text{WR}}$ Rise → D0 to D15 Hold	x - 25		12		2.7		ns
12	t <sub>SBA</sub>	Data Byte Control Access Time for SRAM		3x - 39		72		44.1	ns
13	t <sub>SWP</sub>	Write Pulse Width for SRAM	2x - 15		59		40.4		ns
14	t <sub>SBW</sub>	Data Byte Control to End of Write for SRAM	3x - 25		86		58.1		ns
15	t <sub>SAS</sub>	Address Setup Time for SRAM	1.5x - 35		20.5		6.55		ns
16	t <sub>SWR</sub>	Write Recovery Time for SRAM	0.5x - 13		5.5		0.85		ns
17	t <sub>SDS</sub>	Data Setup Time for SRAM	2x - 35		39		20.4		ns
18	t <sub>SDH</sub>	Data Hold Time for SRAM	0.5x - 13		5.5		0.85		ns
19	t <sub>AW</sub>	A0 to A23 Valid → $\overline{\text{WAIT}}$ Input		3.5x - 60		69.5		36.95	ns
20	t <sub>CW</sub>	$\overline{\text{RD}} / \overline{\text{WR}}$ Fall → $\overline{\text{WAIT}}$ Hold (t <sub>WAIT+n</sub> )	2.5x + 0		92.5		69.25		ns
21	t <sub>APH</sub>	A0 to A23 Valid → PORT Input		3.5x - 89		40.5		7.95	ns
22	t <sub>APH2</sub>	A0 to A23 Valid → PORT Hold	3.5x		129.5		96.95		ns
23	t <sub>APO</sub>	A0 to A23 Valid → PORT Valid		3.5x + 60		189.5		156.9	ns

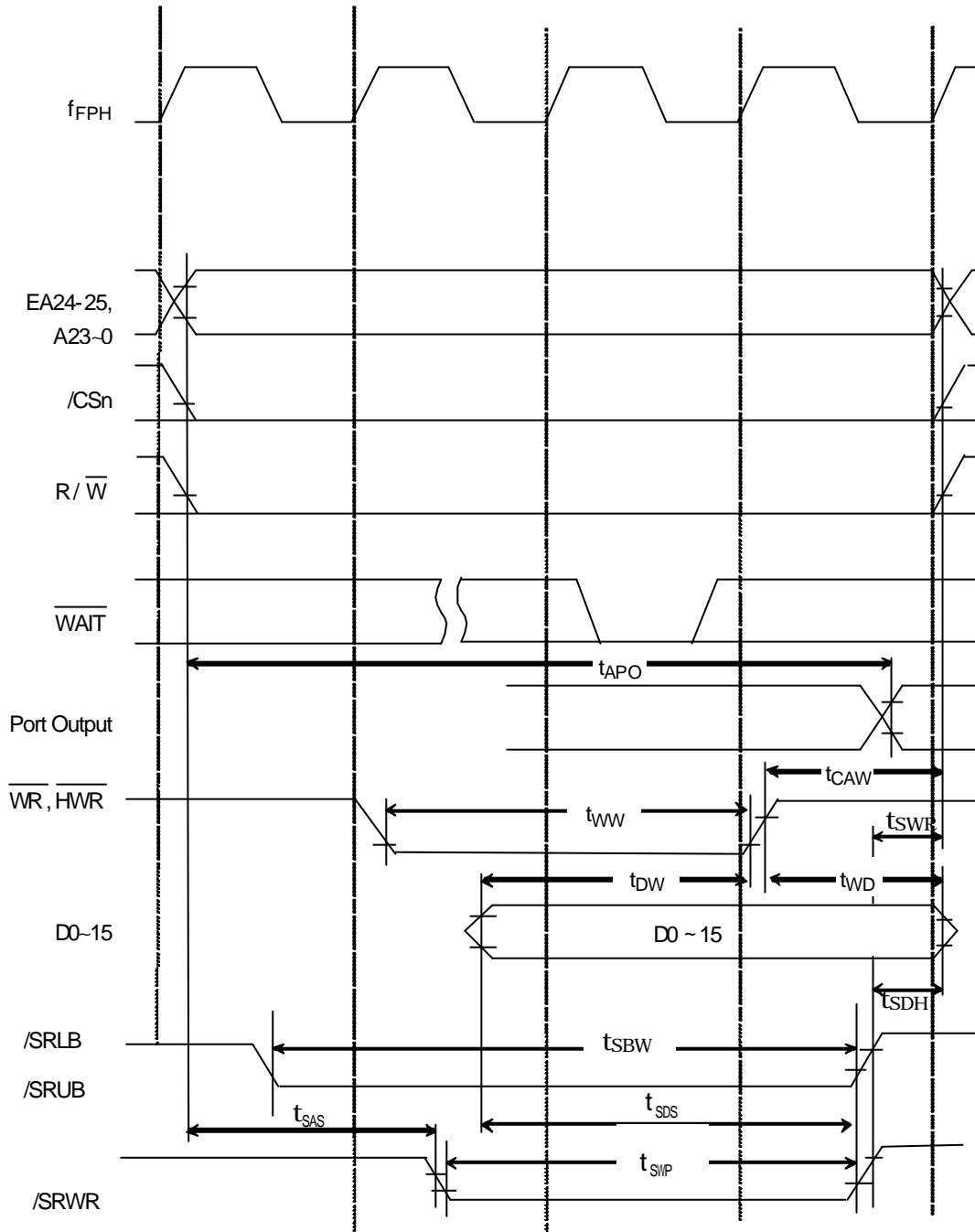
## AC Measuring Conditions

- Output Level: High = 0.7 V<sub>CC</sub>, Low = 0.3 V<sub>CC</sub>, CL = 50 pF
- Input Level: High = 0.9 V<sub>CC</sub>, Low = 0.1 V<sub>CC</sub>

(1) Read Cycle



(2) Write Cycle



## 4.4 SDRAM Controller AC Electrical Characteristics

V<sub>CC</sub> = 2.7 ~ 3.6 V case of f<sub>FPH</sub> = 27 MHzV<sub>CC</sub> = 3.0 ~ 3.6 V case of f<sub>FPH</sub> = 36 MHz

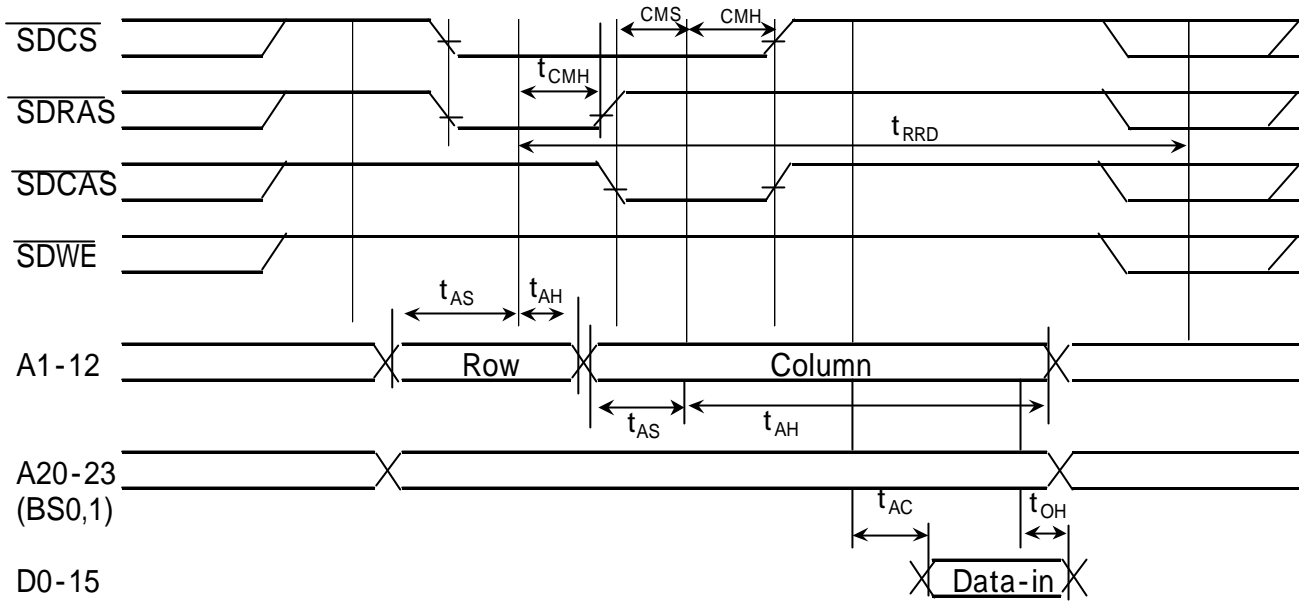
No.	Symbol	Parameter	Variable		27MHz		36MHz		Unit
			MIN	MAX	MIN	MAX	MIN	MAX	
1	t <sub>RC</sub>	Ref/Active to Ref/Active Command Period	4X		148		27.7		ns
2	t <sub>RAS</sub>	Active to Precharge Command Period	4X	12210	148	#####	111	#####	ns
3	t <sub>RCD</sub>	Active to Read/Write Command Delay Time	2X		74		55.6		ns
4	t <sub>RP</sub>	Precharge to Active Command Period	2X		74		55.6		ns
5	t <sub>RRD</sub>	Active to Active Command Period	6X		222		167		ns
6	t <sub>WR</sub>	Write Recovery Time	2X		74		55.6		ns
7	t <sub>WR2</sub>	Write Recovery Time	3X		111		83		
8	t <sub>CK</sub>	CLK Cycle Time	2X		74		55.6		ns
9	t <sub>CH</sub>	CLK High Level Width	1X-15		22		12.8		ns
10	t <sub>CL</sub>	CLK Low Level Width	1X-15		22		12.8		ns
11	t <sub>AC</sub>	Access Time from CLK (CL* = 2)		1X-25		12		2.8	ns
12	t <sub>OH</sub>	Output Data Hold Time	0		0		0		ns
13	t <sub>DS</sub>	Data-in Set-up Time	2X-35		39		20.6		ns
14	t <sub>DH</sub>	Data-in Hold Time	2.5X-20		72		49.4		ns
15	t <sub>AS</sub>	Address Set-up Time	1.5X-35		20		6.7		ns
16	t <sub>AH</sub>	Address Hold Time	0.5X-13		5		0.9		ns
17	t <sub>CKS</sub>	CKE Set-up Time	1X-15		22		12.8		ns
18	t <sub>CMS</sub>	Command Set-up Time	1X-15		22		12.8		ns
19	t <sub>CMH</sub>	Command Hold Time	1X-15		22		12.8		ns
20	t <sub>RSC</sub>	Mode Register Set Cycle Time	2X		74		55.6		ns

\* CL is CAS Latency.

AC Measuring Conditions

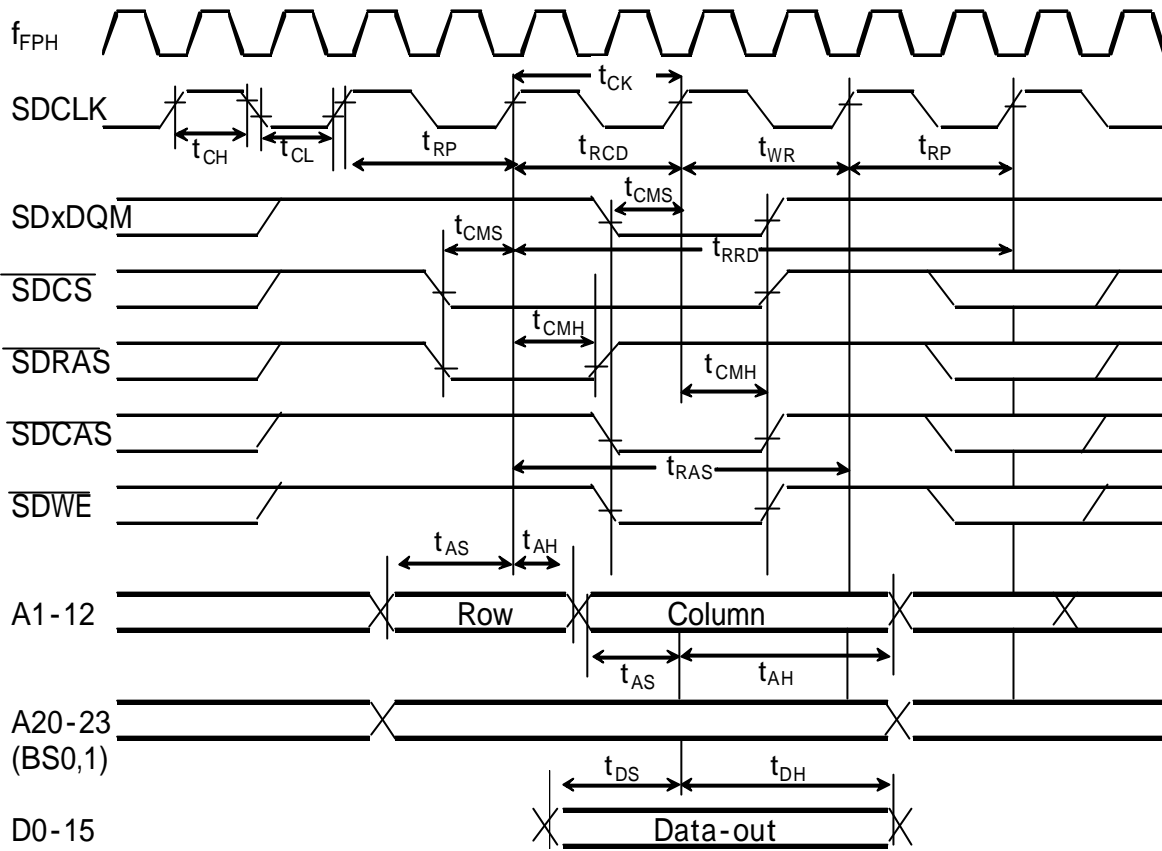
Output Level: High = 0.7 V<sub>CC</sub>, Low = 0.3 V<sub>CC</sub>, CL = 50 pF

• SDRAM Read Timing (CPU Access)

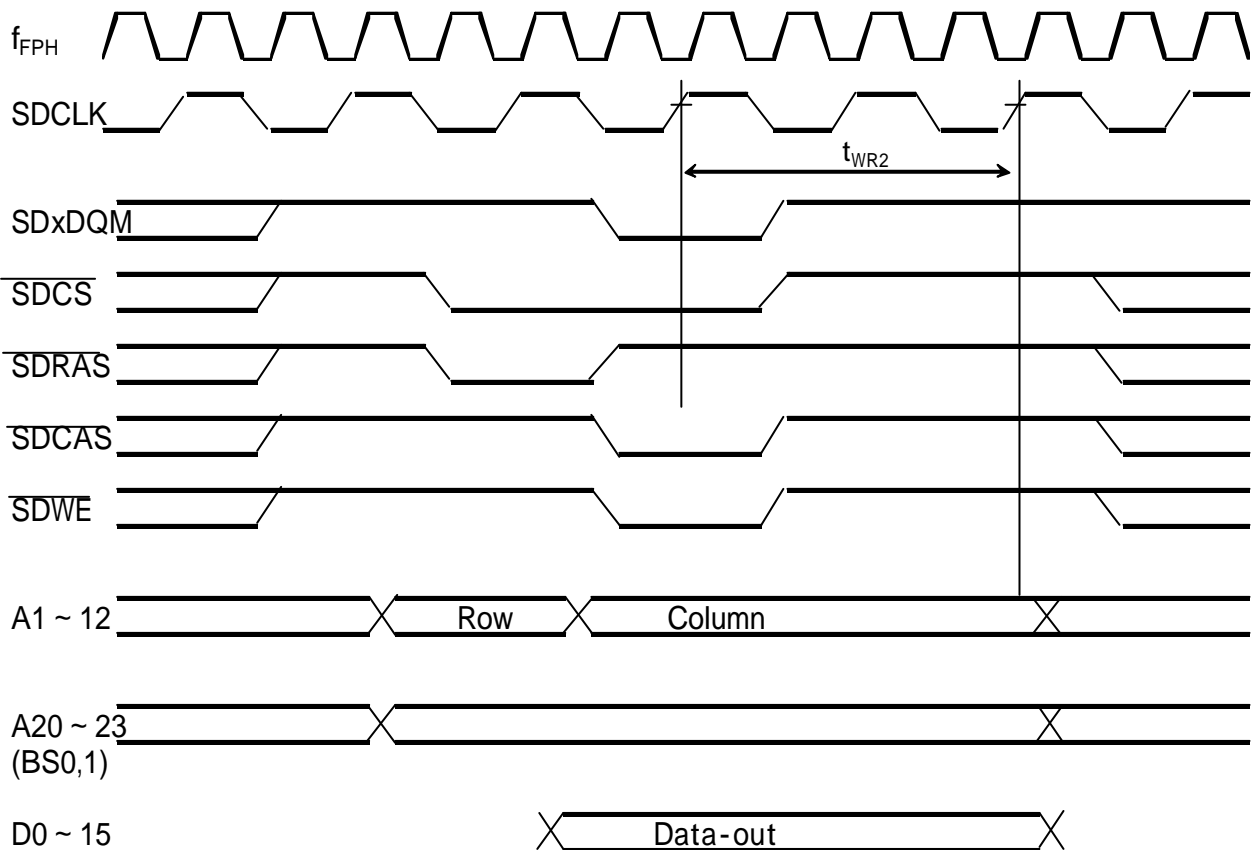




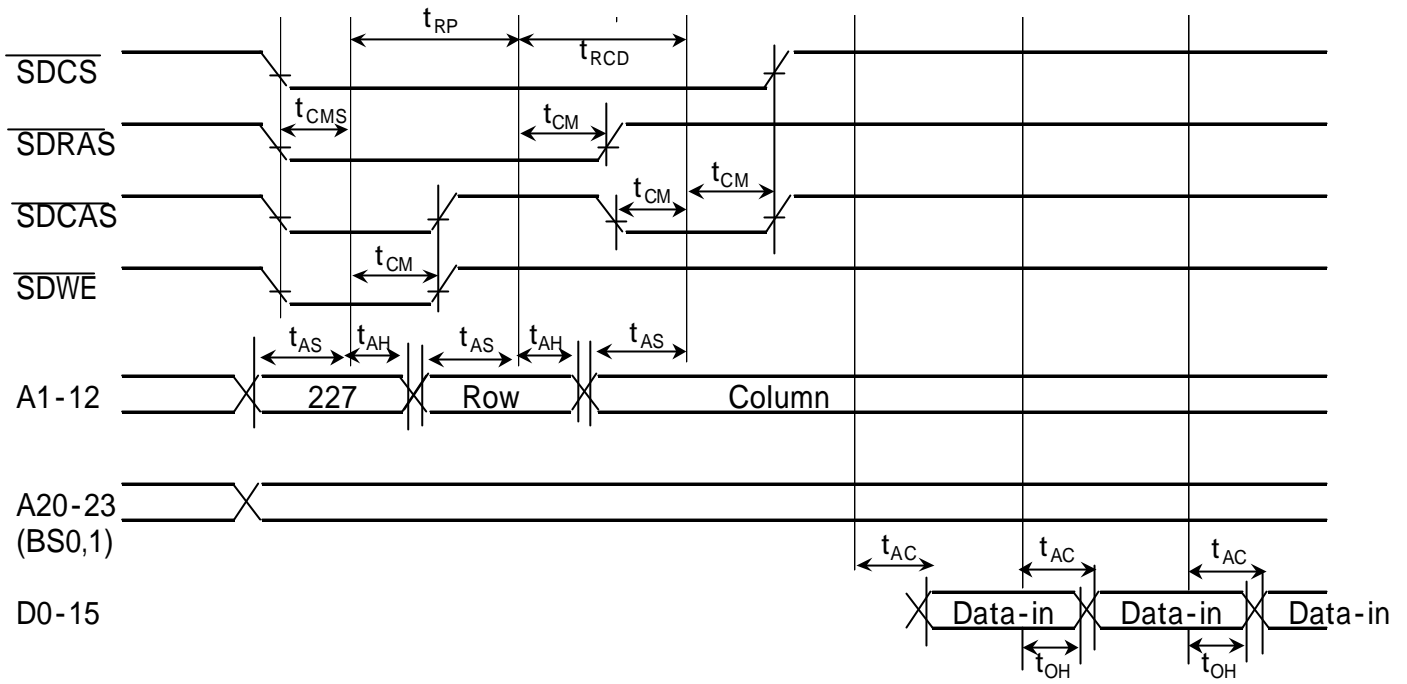
• SDRAM Write Timing (CPU Access)



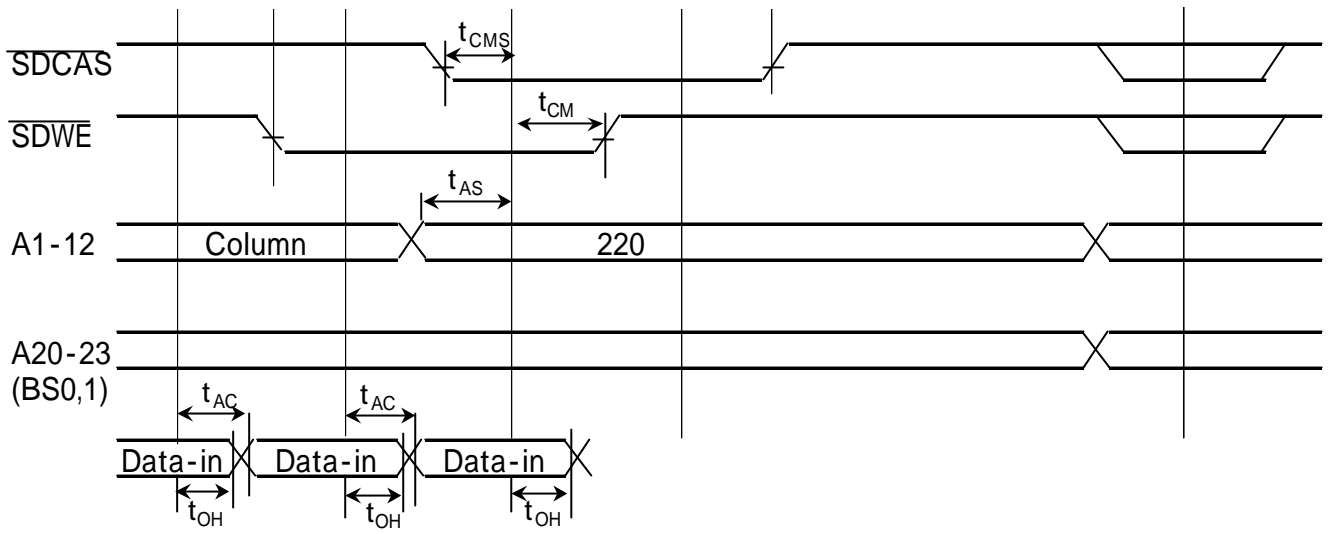
• SDRAM Write Timing (CPU Access, Write Recovery enable)



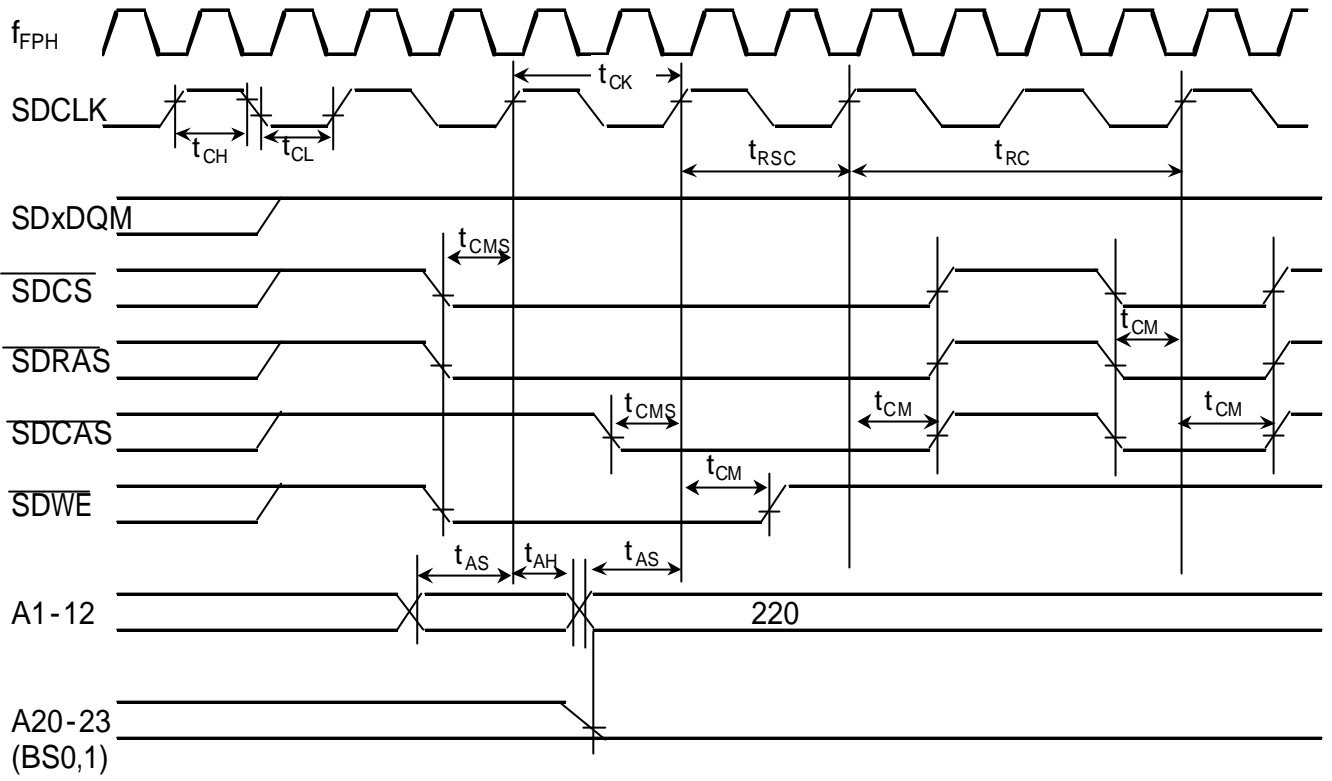
• SDRAM Burst Read Timing (Head of Burst Cycle)



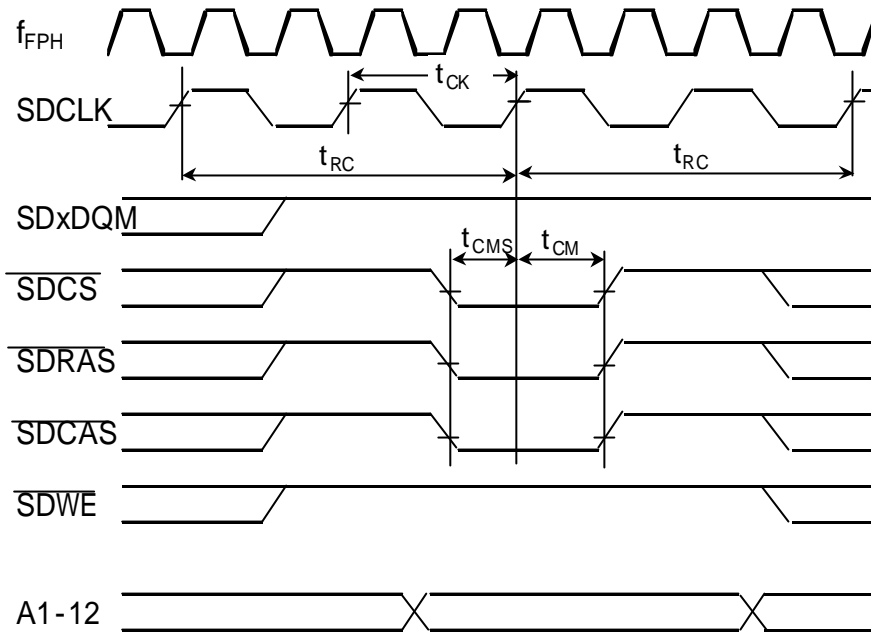
• SDRAM Burst Read Timing (End of Burst Cycle)



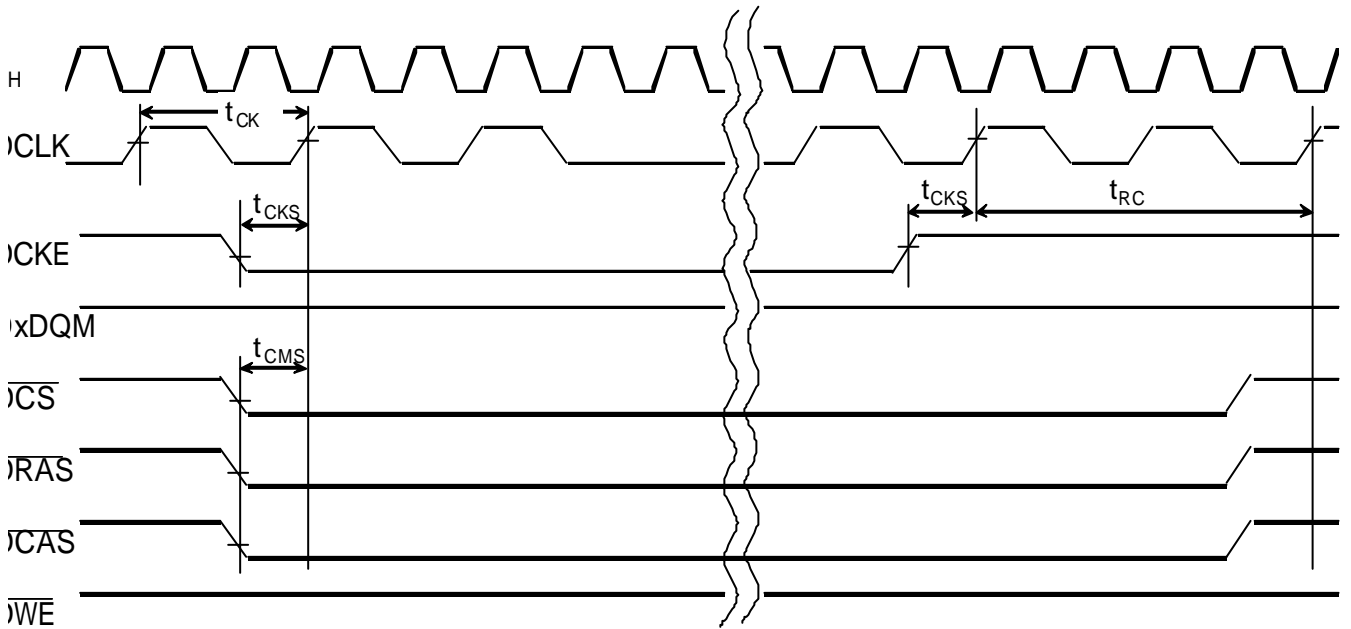
• SDRAM Initialize Timing



• SDRAM Refresh Timing



• SDRAM Self Refresh Timing



## 4.5

## 4.6 A/D Conversion Characteristics

$$AV_{CC} = V_{CC}, AV_{SS} = V_{SS}$$

Symbol	parameter	Condition	Min	Typ.	Max	Unit
VREFH	Analog Reference Voltage (+)	$V_{CC} = 2.7V$ to $3.6 V$	$V_{CC} - 0.2 V$	$V_{CC}$	$V_{CC}$	V
VREFL	Analog Reference Voltage (-)		$V_{SS}$	$V_{SS}$	$V_{SS} + 0.2 V$	
VAIN	Analog Input Voltage Range		$V_{REFL}$		$V_{REFH}$	
IREF ( $V_{REFL} = 0V$ )	Analog Current for Analog Reference Voltage <VREFON> = 1			0.94	1.20	mA
	<VREFON> = 0			0.02	5.0	$\mu A$
-	Error (not including quantizing errors)				$\pm 1.0$	$\pm 4.0$

Note 1:  $1 \text{ LSB} = (V_{REFH} - V_{REFL})/1024 [V]$

Note 2: The operation above is guaranteed for  $f_{FPH} \geq 4 \text{ MHz}$ .

Note 3: The value of  $I_{CC}$  includes the current which flows through the  $AV_{CC}$  pin.

4.7 Serial Channel Timing (I/O Internal Mode)

V<sub>CC</sub> = 2.7 ~ 3.6 V case of f<sub>FPH</sub> = 27 MHz

V<sub>CC</sub> = 3.0 ~ 3.6 V case of f<sub>FPH</sub> = 36 MHz

(1) SCLK Input Mode

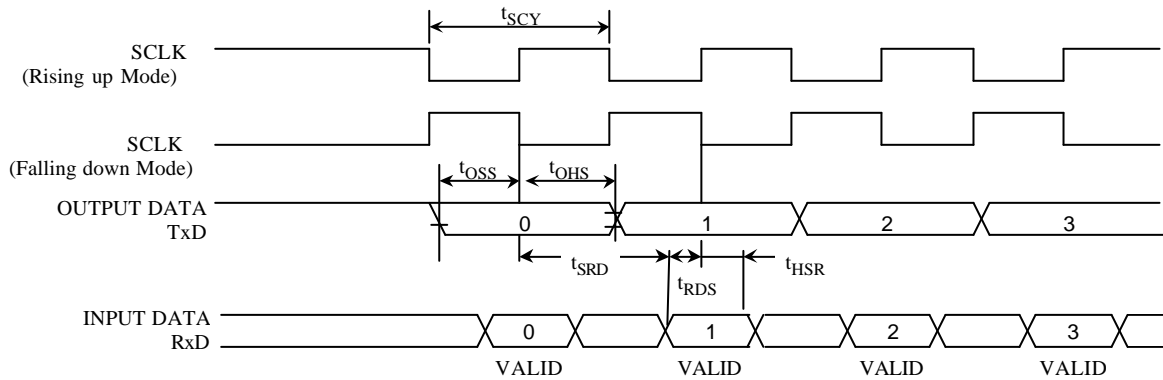
Symbol	Parameter	Variable		27 MHz		36 MHz		Unit
		Min	Max	Min	Max	Min	Max	
t <sub>SCY</sub>	SCLK Period	16X		0.59		0.44		μs
t <sub>OSS</sub>	Output Data → SCLK Rising /Falling Edge*	t <sub>SCY</sub> /2-4X-110		38		0		ns
t <sub>OHS</sub>	SCLK Rising /Falling Edge* → Output Data Hold	t <sub>SCY</sub> /2 +2X+0		370		277		ns
t <sub>HSR</sub>	SCLK Rising /Falling Edge* → Input Data Hold	3X+10		121		93		ns
t <sub>SRD</sub>	SCLK Rising /Falling Edge* → Valid Data Input		t <sub>SCY</sub> -0		592		443	ns
t <sub>RDS</sub>	SCLK Rising /Falling Edge* → Valid Data Input	0		0		0		ns

(2) SCLK Output Mode

symbol	Parameter	Variable		27 MHz		36 MHz		Unit
		Min	Max	Min	Max	Min	Max	
t <sub>SCY</sub>	SCLK Period	16X	8192X	0.59	303	0.44	227	μs
t <sub>OSS</sub>	Output Data → SCLK Rising /Falling Edge*	t <sub>SCY</sub> /2 - 40		256		181		ns
t <sub>OHS</sub>	SCLK Rising /Falling Edge* → Output Data Hold	t <sub>SCY</sub> /2 - 40		256		181		ns
t <sub>HSR</sub>	SCLK Rising /Falling Edge* → Input Data Hold	0		0		0		ns
t <sub>SRD</sub>	SCLK Rising /Falling Edge* → Valid Data Input		t <sub>SCY</sub> - 1X - 180		375		235	ns
t <sub>RDS</sub>	SCLK Rising /Falling Edge* → Valid Data Input	1X+180		217		207.7		ns

\*) SCLK Rising/Falling Edge: The rising edge is used in SCLK Rising Mode. The Falling edge is used in SCLK Falling Mode.

Note) Above table's data values at 27MHz and 36MHz, are calculated from t<sub>SCY</sub>=16x base.



## 4.8 Event Counter (TA0IN)

Symbol	Parameter	Variable		27 MHz (V <sub>CC</sub> = 2.7 ~ 3.6V)		36 MHz (V <sub>CC</sub> = 3.0 ~ 3.6V)		Unit
		Min	Max	Min	Max	Min	Max	
t <sub>VCK</sub>	Clock Period	8X + 100		396		321		ns
t <sub>VCKL</sub>	Clock Low Level Width	4X + 40		188		151		ns
t <sub>VCKH</sub>	Clock High Level Width	4X + 40		188		151		ns

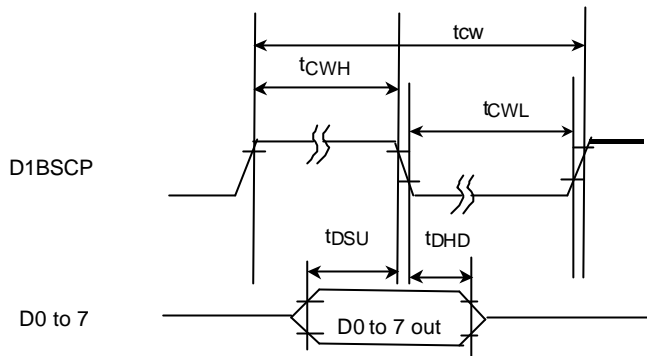
## 4.9 Interrupt, Capture

(1)  $\overline{\text{NMI}}$ , INT0 to INT3 Interrupts

Symbol	Parameter	Variable		27 MHz (V <sub>CC</sub> = 2.7 ~ 3.6V)		36 MHz (V <sub>CC</sub> = 3.0 ~ 3.6V)		Unit
		Min	Max	Min	Max	Min	Max	
t <sub>INTAL</sub>	$\overline{\text{NMI}}$ , INT0 to INT3 Low level width	4X + 40		188		151		ns
t <sub>INTAH</sub>	$\overline{\text{NMI}}$ , INT0 to INT3 High level width	4X + 40		188		151		ns



4.10 LCD CONTROLLER SR MODE



V<sub>CC</sub> = 2.7 ~ 3.6 V case of  $f_{FPH} = 27$  MHz

V<sub>CC</sub> = 3.0 ~ 3.6 V case of  $f_{FPH} = 36$  MHz

No.	Symbol	Parameter	Variable		fFPH=27 MHz (Case: tm=0)		fFPH=36 MHz (Case: tm=0)		Unit
			Min	Max	Min	Max	Min	Max	
1	tDSU	data Valid ->D1BSCP Fall	x-20+tm		17		7.7		ns
2	tDHD	D1BSCP Fall->Data Hold	x-5+tm		32		22		ns
3	tCWH	D1BSCP->Clock high width	x-10+tm		27		17.7		ns
4	tCWL	D1BSCP->Clock low width	x-10+tm		27		17.7		ns
5	tCW	D1BSCP->Clock cycle	2x+2tm		27		55.4		ns

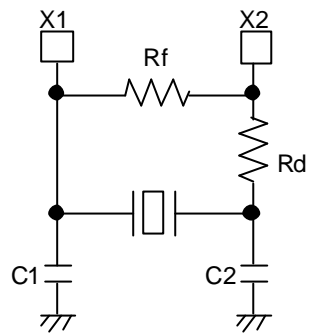
Note:  $tm = (2^{scpw} - 1)x$ , ex. If  $scpw = 3$  (8 clock mode) and  $f_{FPH} = 36$  MHz,  $tm = (2^3 - 1) * 27.7 = 193.9$ .

#### 4.11 Recommended Crystal Oscillation Circuit

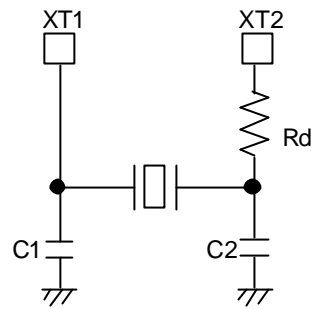
TMP91C820A is evaluated by below oscillator vender. When selecting external parts, make use of this information..

(note): Total loads value of oscillator is sum of external loads(C1 and C2) and floating loads of actual assemble board. There is a possibility of miss-operating using C1 and C2 value in below table. When designing board, it should design minimum length pattern around oscillator. And we recommend that oscillator evaluation try on your actual using board.

(1) connection example



High frequency oscillator



Low frequency oscillator

(2) TMP91C820A recommended ceramic oscillator : MURATA co. LTD; JAPAN

Circuit parameter recommended

MCU	Oscillation Frequency [MHZ]	Item of Oscillator	Parameter of elements				Running Condition	
			C1 [pF]	C2 [pF]	Rf [?] ]	Rd [?] ]	Voltage of Power [V]	Tc [ ° ]
TMP91C820A	2.00M	CSTLS2M00G56-B0	(47)	(47)	Open	0	1.8 to 2.2	-20 to +70
	2.50M	CSTLS2M50G56-B0	(47)	(47)	Open	0		
	10.00M	CSTS1000MG03 *CSTLS10M0G53-B0	(15)	(15)	Open	0		
	12.50M	CSA12.5MTZ093 *CSALA12M5T55093-B0	30	30	Open	0		
		CST12.0MTW093 *CSTLA12M5T55093-B0	(30)	(30)	Open	0		

MCU	Oscillation Frequency [MHZ]	Item of Oscillator	Parameter of elements				Running Condition	
			C1 [pF]	C2 [pF]	Rf [?] ]	Rd [?] ]	Voltage of Power [V]	Tc [ ° ]
TMP91C820 A	4.00M	CSTS0400MG06 *CSTLS4M00G56-B0	(47)	(47)	Open	0	2.7 to 3.6	-20 to +70
	6.750M	CSTS0675MG06 *CSTLS6M75G56-B0	(47)	(47)	Open	0		
	12.50M	CSA12.5MTZ *CSALA12M5T55-B0	30	30	Open	0		
		CST12.0MTW *CSTLA12M5T55-B0	(30)	(30)	Open	0		
	20.00M	CSALS20M0X53-B0	5	5	Open	0		
		CSTLS20M0X51-B0	(5)	(5)	Open	0		
	27.00M	CSALS27M0X51-B0	Open	Open	10K	0		
	32.00M	CSALA32M0X51-B0	3	3	Open	0		

NOTE: In CST \*\*\*type oscillator, Capacitance C1,C2 is built in

\*After 2001/06,new products will be made, and the old products(now in production) will not be made in MURATA Co LTD ,JAPAN

\*The product numbers and specifications of the resonators by Murata Manufacturing Co., Ltd. are being changed as occasion arises. For details, visit the company's home page at <http://www.murata.co.jp/search/index.html>

## 5. Table of SFRs

(SFR ; special function register)

The SFRs include the I/O ports and peripheral control registers allocated to the 4K bytes address space from 000000H to 000FFFH.

- (1) I/O Port
- (2) I/O Port Control
- (3) Interrupt Control
- (4) Chip Select / Wait Control
- (5) Clock Gear
- (6) DFM (Clock Doubler)
- (7) 8-bit Timer
- (8) UART/Serial Channel
- (9) I<sup>2</sup>CBUS/Serial Channel
- (10) AD Converter
- (11) Watchdog Timer
- (12) RTC (Real-Time Clock)
- (13) Melody/Alarm Generator
- (14) MMU
- (15) LCD CONTROLLER
- (16) SDRAM Controller
- (17) 16-bit Timer

Table layout

Symbol	Name	Address	7	6	...	1	0	
								→ Bit symbol
								→ Read/Write
								→ Initial value after Reset
								→ Remarks

Note: "Prohibit RMW" in the table means that you cannot use RMW instructions on these register.

Example: When setting bit0 only of the registerPOCR, the instruction "SET 0, (0002G)" cannot be used. The LD (transfer) instruction must be used to write all eight bits.

### Read/Write

R/W ; Both read and write are possible.

R; Only read is possible.

W; Only write is possible.

W\*; Both read and write are possible (when this bit is read as1)

Prohibit RMW; Read-Modify-Write instructions are prohibited. (The EX, ADD, ADC, BUS, SBC, INC, DEC, AND, OR, XOR, STCF, RES, SET, CHG, TEST, RLC, RRC, RL, RR, SLA, SRA, SLL, SRL, RLD and RRD instruction are read-modify-write instructions.)

Prohibit RMW\*; Read-modify-write is prohibited when controlling the pull-up resistor.

Table 5.1 SFR Address map(1/5)

## [1], [2] PORT

Address	Name
0000H	P0
1H	P1
2H	P0CR
3H	
4H	P1CR
5H	P1FC
6H	P2
7H	P3
8H	P2CR
9H	P2FC
AH	P3CR
BH	P3FC
CH	P4
DH	P5
EH	P4CR
FH	P4FC

Address	Name
0010H	P5CR
1H	
2H	P6
3H	P7
4H	
5H	P6FC
6H	P7CR
7H	P7FC
8H	P8
9H	P9
AH	
BH	P6FC2
CH	P7FC2
DH	P9FC
EH	PA
FH	P7ODE

Address	Name
0020H	
1H	PAFC
2H	PB
3H	PC
4H	PBCR
5H	PBFC
6H	PCCR
7H	PCFC
8H	PCODE
9H	PD
AH	PDFC
BH	PBODE
CH	PER
DH	PECR
EH	PEFC
FH	

Address	Name
0030H	PF
1H	
2H	PFFC
3H	
4H	
5H	
6H	
7H	
8H	
9H	
AH	
BH	
CH	
DH	
EH	
FH	

Address	Name
0070H	
1H	
2H	
3H	
4H	
5H	
6H	
7H	
8H	
9H	
AH	
BH	
CH	
DH	PZ
EH	PZCR
FH	PZFC

## [3] INTC

Address	Name
0080H	DMA0V
1H	DMA1V
2H	DMA2V
3H	DMA3V
4H	
5H	
6H	
7H	
8H	INTCLR
9H	DMAR
AH	DMAB
BH	
CH	IIMC
DH	
EH	
FH	

Address	Name
0090H	INTE0AD
1H	INTE12
2H	INTE3ALM4
3H	INTEALM01
4H	INTEALM23
5H	INTETA01
6H	INTETA23
7H	INTERTCKEY
8H	INTES0
9H	INTES1
AH	INTES2LCD
BH	INTETC01
CH	INTETC23
DH	INTEP01
EH	INTESS01
FH	INTESS2

Address	Name
00A0H	INTES3
1H	INTETB0
2H	
3H	
4H	
5H	
6H	
7H	
8H	
9H	
AH	
BH	
CH	
DH	
EH	
FH	

Note: Do not access to the unnamed addresses, i.e. addresses to which no register has been allocated.

Table 5.2 SFR Address map(2/5)

[4] CS/WAIT

Address	Name
00C0H	B0CS
1H	B1CS
2H	B2CS
3H	B3CS
4H	
5H	
6H	
7H	BEXCS
8H	MSAR0
9H	MAMR0
AH	MSAR1
BH	MAMR1
CH	MSAR2
DH	MAMR2
EH	MSAR3
FH	MAMR3

[5], [6] CGEAR,DFM

Address	Name
00E0H	SYSCR0
1H	SYSCR1
2H	SYSCR2
3H	EMCCR0
4H	EMCCR1
5H	EMCCR2
6H	EMCCR3
7H	
8H	DFMCR0
9H	DFMCR1
AH	
BH	
CH	
DH	
EH	
FH	

[7] TMRA

Address	Name
0100H	TA01RUN
1H	
2H	TA0REG
3H	TA1REG
4H	TA01MOD
5H	TA01FFCR
6H	
7H	
8H	TA23RUN
9H	
AH	TA2REG
BH	TA3REG
CH	TA23MOD
DH	TA3FFCR
EH	
FH	

[8] UART/SIO

Address	Name
0200H	SC0BUF
1H	SC0CR
2H	SC0MOD0
3H	BR0CR
4H	BR0ADD
5H	SC0MOD1
6H	
7H	SIRCR
8H	SC1BUF
9H	SC1CR
AH	SC1MOD0
BH	BR1CR
CH	BR1ADD
DH	SC1MOD1
EH	
FH	

[9] I2CBUS/SIO

Address	Name
0210H	SC2BUF
1H	SC2CR
2H	SC2MOD0
3H	BR2CR
4H	BR2ADD
5H	SC2MOD1
6H	
7H	
8H	
9H	
AH	
BH	
CH	
DH	
EH	
FH	

Address	Name
0240H	SBI0CR1
1H	SBI0DBR
2H	I2C0AR
3H	SBI0CR2/SBI0SR
4H	SBI0BR0
5H	SBI0BR1
6H	
7H	
8H	
9H	
AH	
BH	
CH	
DH	
EH	
FH	

Note: Do not access to the unnamed addresses, i.e. addresses to which no register has been allocated.

Table 5.3 SFR Address map(3/5)

[10] 10bit ADC

Address	Name
02A0H	ADREG04L
1H	ADREG04H
2H	ADREG15L
3H	ADREG15H
4H	ADREG26L
5H	ADREG26H
6H	ADREG37L
7H	ADREG37H
8H	
9H	
AH	
BH	
CH	
DH	
EH	
FH	

Address	Name
02B0H	ADMOD0
1H	ADMOD1
2H	
3H	
4H	
5H	
6H	
7H	
8H	
9H	
AH	
BH	
CH	
DH	
EH	
FH	

[11] WDT

Address	Name
0300H	WDMOD
1H	WDCR
2H	
3H	
4H	
5H	
6H	
7H	
8H	
9H	
AH	
BH	
CH	
DH	
EH	
FH	

[12] RTC

Address	Name
0320H	SECR
1H	MINR
2H	HOURR
3H	DAYR
4H	DATER
5H	MONTHR
6H	YEWRR
7H	PAGER
8H	RESTR
9H	
AH	
BH	
CH	
DH	
EH	
FH	

[13] MLD

Address	Name
0330H	ALM
1H	MELALMC
2H	MELFL
3H	MELFH
4H	ALMINT
5H	
6H	
7H	
8H	
9H	
AH	
BH	
CH	
DH	
EH	
FH	

[14] MMU

Address	Name
0350H	LOCAL0
1H	LOCAL1
2H	LOCAL2
3H	LOCAL3
4H	
5H	
6H	
7H	
8H	
9H	
AH	
BH	
CH	
DH	
EH	
FH	

Note: Do not access to the unnamed addresses, i.e. addresses to which no register has been allocated.

Table 5.4 SFR Address map(4/5)

## [15]LCDC

Address	Name
04B0H	LCDDMODE
1H	LCDDVM
2H	LCDSIZE
3H	LCDCCTL
4H	LCDFFP
5H	LCDGL
6H	LCDCM
7H	LCDCW
8H	LCDCH
9H	LCDCP
AH	LCDCPL
BH	LCDCPM
CH	LCDCPH
DH	Reserved
EH	
FH	

Address	Name
04C0H	LSARAM
1H	LSARAH
2H	LEARAH
3H	LEARAH
4H	LSARBM
5H	LSARBH
6H	LEARBM
7H	LEARBH
8H	LSARCL
9H	LSARCM
AH	LSARCH
BH	
CH	
DH	
EH	
FH	

Address	Name
04D0H	LG0L
1H	LG0H
2H	LG1L
3H	LG1H
4H	LG2L
5H	LG2H
6H	LG3L
7H	LG3H
8H	LG4L
9H	LG4H
AH	LG5L
BH	LG5H
CH	LG6L
DH	LG6H
EH	LG7L
FH	LG7H

Address	Name
04E0H	LG8L
1H	LG8H
2H	LG9L
3H	LG9H
4H	LGAL
5H	LGALH
6H	LGBL
7H	LGBH
8H	LGCL
9H	LGCH
AH	LGDL
BH	LGDLH
CH	LGEL
DH	LGEH
EH	LGFL
FH	LGFLH

## [16]SDRAMC

Address	Name
04F0H	SDACR
1H	SDRCR
2H	
3H	
4H	
5H	
6H	
7H	
8H	Reserved
9H	Reserved
AH	Reserved
BH	Reserved
CH	Reserved
DH	Reserved
EH	Reserved
FH	Reserved

Note: If the reserved areas of SDRAMC are written, the output data from GLCDC ports LD0-LD7 will change.



(1) I/O Ports (1/2)

Symbol	Name	Address	7	6	5	4	3	2	1	0	
P0	PORT0	00H	P07	P06	P05	P04	P03	P02	P01	P00	
			R/W								
			0	0	0	0	0	0	0	0	
			Input Mode								
P1	PORT1	01H	P17	P16	P15	P14	P13	P12	P11	P10	
			R/W								
			0	0	0	0	0	0	0	0	
			Input Mode								
P2	PORT2	06H	P27	P26	P25	P24	P23	P22	P21	P20	
			R/W								
			1	1	1	1	1	1	1	1	
			Input Mode								
P3	PORT3	07H	P37	P36	P35	P34	P33	P32	P31	P30	
			R/W								
			1	1	1	1	1	1	1	1	
			Input Mode								
P4	PORT4	0CH	P47	P46	P45	P44	P43	P42	P41	P40	
			R/W								
			1	1	1	1	1	1	1	1	
			Input Mode								
PZ	PORTZ	7DH	/				PZ3	PZ2	PZ1	PZ0	
			R/W								
			/				1	1	1	1	
			/				Input Mode (Pull Up)				Output mode
P5	PORT5	0DH	/				P56	/			
			R/W								
			1								
			Input Mode (Pull Up)								
P6	PORT6	12H	P67	P66	P65	P64	P63	P62	P61	P60	
			R/W								
			1	1	1	1	1	0	1	1	
P7	PORT7	13H	P77	P76	P75	P74	P73	P72	P71	P70	
			R/W								
			1	1	1	1	1	1	1	1	
P8	PORT8	18H	P87	P86	P85	P84	P83	P82	P81	P80	
			R								
			Input Mode								
P9	PORT9	19H	P97	P96	P95	P94	P93	P92	P91	P90	
			R								
			Input Mode								
PA	PORTA	1EH	PA7	PA6	PA5	PA4	PA3	PA2	PA1	PA0	
			R/W								
			1								

(1) I/O Ports (2/2)

Symbol	Name	Address	7	6	5	4	3	2	1	0
PB	PORTB	22H		PB6	PB5	PB4	PB3		PB1	PB0
			R/W				R/W			
			1	1	1	1		1	1	
			Input Mode				Input Mode			
PC	PORTC	23H			PC5	PC4	PC3	PC2	PC1	PC0
			R/W				R/W			
				1	1	1	1	1	1	
			Input Mode				Input Mode			
PD	PORTD	29H	PD7	PD6		PD4	PD3	PD2	PD1	PD0
			R/W				R/W			
			1	1		1	1	1	1	1
			Input Mode				Input Mode			
PER	PORTE	2CH	PE7	PE6	PE5	PE4	PE3	PE2	PE1	PE0
			R/W				R/W			
			1	1	1	1	1	1	1	1
			Input Mode				Input Mode			
PF	PORTF	30H	PF7	PF6	PF5	PF4	PF3	PF2	PF1	PF0
			R/W				R/W			
			1	1	1	1	1	1	1	1
			Input Mode				Input Mode			

## (2) I/O Port Control (1/4)

Symbol	Name	Address	7	6	5	4	3	2	1	0
P0CR	PORT0 Control	02H (Prohibit RWM)	P07C	P06C	P05C	P04C	P03C	P02C	P01C	P00C
			W							
			0	0	0	0	0	0	0	0
			0: IN 1: OUT							
P1CR	PORT1 Control	04H (Prohibit RWM)	P17C	P16C	P15C	P14C	P13C	P12C	P11C	P10C
			W							
			0	0	0	0	0	0	0	0
			0: IN 1: OUT							
P1FC	PORT1 Function	05H (Prohibit RWM)	P17F	P16F	P15F	P14F	P13F	P12F	P11F	P10F
			W							
			1	1	1	1	1	1	1	1
			0: Port, 1: data bus (D15 to D8)							
P2CR	PORT2 Control	08H (Prohibit RWM)	P27C	P26C	P25C	P24C	P23C	P22C	P21C	P20C
			W							
			0	0	0	0	0	0	0	0
			0: IN 1: OUT							
P2FC	PORT2 Function	09H (Prohibit RWM)	P27F	P26F	P25F	P24F	P23F	P22F	P21F	P20F
			W							
			1	1	1	1	1	1	1	1
			0: Port, 1: Address bus (A23 to A16)							
P3CR	PORT3 Control	0AH (Prohibit RWM)	P37C	P36C	P35C	P34C	P33C	P32C	P31C	P30C
			W							
			0	0	0	0	0	0	0	0
			0: IN 1: OUT							
P3FC	PORT3 Function	0BH (Prohibit RWM)	P37F	P36F	P35F	P34F	P33F	P32F	P31F	P30F
			W							
			1	1	1	1	1	1	1	1
			0: Port, 1: Address bus (A15 to A8)							
P4CR	PORT4 Control	0EH (Prohibit RWM)	P47C	P46C	P45C	P44C	P43C	P42C	P41C	P40C
			W							
			0	0	0	0	0	0	0	0
			0: IN 1: OUT							
P4FC	PORT4 Function	0FH (Prohibit RWM)	P47F	P46F	P45F	P44F	P43F	P42F	P41F	P40F
			W							
			1	1	1	1	1	1	1	1
			0: Port, 1: Address bus (A7 to A0)							

I/O Port Control (2/4)

PZCR	PORTZ Control	7EH (Prohibit RWM)	PZ3C				PZ2C					
			W									
			0				0					
			0 : IN 1 : OUT									
P5CR	PORT5 Control	10H (Prohibit RWM)	P56C				P55C					
			W									
			0				0					
			0:IN,1:OUT									
PZFC	PORTZ Function	7FH (Prohibit RWM)	PZ3F		PZ2F		PZ1F		PZ0F			
			W		W		W		W			
			0		0		0		0			
			0: PORT 1: R/W, /SRWE		0: PORT 1: $\overline{\text{HWR}}$		0: PORT 1: /WR		0: PORT 1: /RD			
P6FC	PORT6 Function	15H (Prohibit RWM)	P67F		P66F		P65F		P64F			
			P63F		P62F		P61F		P60F			
			W									
			0									
			0: PORT 1: /SRUB	0: PORT 1: /SRLB	0: PORT 1: EA25	0: PORT 1: EA24	0: PORT 1: /CS3	0: PORT 1: /CS2	0: PORT 1: /CS1	0: PORT 1: /CS0		
P6FC2	PORT6 Function2	1BH (Prohibit RWM)	P67F2		P66F2		P65F2		P64F2			
			P63F2		P62F2		P61F2		P60F2			
			W									
			0									
			0: <P67F> 1: /CS2E	0: <P66F> 1: /CS2D	0: <P65F> 1: /CS2C	0: <P64F> 1: /CS2B	0: <P63F> 1: /SDCS	0: <P62F> 1: /CS2A	Always write 0			
P7CR	PORT7 Control	16H (Prohibit RWM)	P77C		P76C		P75C		P74C			
			P73C		P72C		P71C		P70C			
			W									
			0									
0 : IN 1 : OUT												
P7FC	PORT7 Function	17H (Prohibit RWM)	P77F		P76F		P75F		P74F			
			P73F		P72F		P71F		P70F			
			W									
			0									
			0: PORT 1: VEECLK	MSK logic select 0: CLK by "1" 1: CLK by "0"	0: PORT	0: PORT	0: PORT	0: PORT 1: SCL	0: PORT 1: SDA/SO	0: PORT 1: SCK		
P7FC2	PORT7 Function2	1CH (Prohibit RWM)	P75F2		P74F2		P73F2		P71F2			
			P75F2		P74F2		P73F2		P71F2		P70F2	
			W									
			0									
			Always fixed to "0".	Always fixed to "0".	0: <P75F> 1: /CSEXA	0: <P74F> 1: /CS2G	0: <P73F> 1: /CS2F			0: <P71F> 1: OPTTX0	SIO0/RXD0 PIN SELECT0: RXD0(PC1) 1: OPTRX0(P70)	

I/O Port Control (3/4)

Symbol	Name	Address	7	6	5	4	3	2	1	0		
P7ODE	PORT7 Open Drain	1FH  (Prohibit RWM)	/							ODEP72	ODEP71	
			/							W		
			/							0	0	
			/							0: 3STATE 1: Open Drain		
P9FC	PORT9 Function	1DH  (Prohibit RWM)	P97F	P96F	P95F	P94F	P93F	P92F	P91F	P90F		
			W									
			0									
			0: KEY-IN DISABLE , 1:KEY-IN ENABLE									
PAFC	PORTA Function	21H  (Prohibit RWM)	PA7F	PA6F	PA5F	PA4F	PA3F	PA2F	PA1F	PA0F		
			W									
			0									
			0: CMOS OUTPUT , 1: OPEN-DRAIN OUTPUT									
PBCR	PORTB Control	24H  (Prohibit RWM)		PB6C	PB5C	PB4C	PB3C		PB1C	PB0C		
			W								W	
			0								0	
			0: IN            1: OUT								0: IN            1: OUT	
PBFC	PORTB Function	25H  (Prohibit RWM)		PB6F	PB5F	PB4F	PB3F		PB1F	PB0F		
			W								W	
			0								0	
				0: PORT 1: INT3, TB0OUT0	0: PORT 1: INT2 TA3OUT	0: PORT 1: INT1	0: PORT 1: INT0		0: PORT 1: TA1OUT	0: PORT 1: TXD2		
PBODE	PORTB Open Drain	2BH  (Prohibit RWM)	/							ODEPB0		
			/							W		
			/							0		
			/							0: CMOS 1:Open Drain		
PCCR	PORTC Control	26H  (Prohibit RWM)			PC5C	PC4C	PC3C	PC2C	PC1C	PC0C		
			W									
			0									
			0: IN            1: OUT									
PCFC	PORTC Function	27H  (Prohibit RWM)			PC5F		PC3F	PC2F		PC0F		
			W								W	
			0								0	
					0: PORT 1: SCLK1		0: PORT 1: TXD1	0: PORT 1: SCLK0		0: PORT 1: TXD0		
PCODE	PORTC Open Drain	28H  (Prohibit RWM)	/							ODEPC3	ODEPC0	
			/							W	W	
			/							0	0	
			/							0: CMOS 1:Open Drain		

I/O Port Control (4/4)

Symbol	Name	Address	7	6	5	4	3	2	1	0
PDFC	PORTD Function	2AH  (Prohibit RWM)	PD7F	PD6F		PD4F	PD3F	PD2F	PD1F	PD0F
			W							
			0							
			0: PORT 1: MLDALM	0: PORT 1: /ALARM, /MLDALM		0: PORT 1: DOFFB	0: PORT 1: DLEBCD	0: PORT 1: D3BFR	0: PORT 1: D2BLP	0: PORT 1: D1BSCP
PECR	PORTE Control	2DH  (Prohibit RWM)	PE7C	PE6C	PE5C	PE4C	PE3C	PE2C	PE1C	PE0C
			W							
			0							
			0 : IN 1 : OUT							
PEFC	PORTE Function	2EH  (Prohibit RWM)	PE7F	PE6F	PE5F	PE4F	PE3F	PE2F	PE1F	PE0F
			W							
			0							
			0 : PORT 1 : LD7-0 for LCD-Driver							
PFFC	PORTF Function	32H  (Prohibit RWM)		PF6F	PF5F	PF4F	PF3F	PF2F	PF1F	PF0F
			W							
			0							
			Always fixed to "0"	0: PORT 1: SDCLK	0: PORT 1: SDCKE	0: PORT 1: SDUDQM	0: PORT 1: SDLDQM	0: PORT 1: /SDWE	0: PORT 1: /SDCAS	0: PORT 1: /SDRAS

## (3) Interrupt Control (1/3)

Symbol	Name	Address	7	6	5	4	3	2	1	0
INTE-0AD	Interrupt Enable 0 & A/D	90H	INTAD				INT0			
			IADC	IADM2	IADM1	IADM0	I0C	I0M2	I0M1	I0M0
			R	R/W			R	R/W		
			0	0	0	0	0	0	0	0
		1: INTAD	Interrupt level			1: INT0	Interrupt level			
INTE12	Interrupt Enable 2/1	91H	INT2				INT1			
			I2C	I2M2	I2M1	I2M0	I1C	I1M2	I1M1	I1M0
			R	R/W			R	R/W		
			0	0	0	0	0	0	0	0
		1: INT2	Interrupt level			1: INT1	Interrupt level			
INTE3-ALM4	Interrupt Enable 3 & ALM4	92H	INTALM4				INT3			
			IA4C	IA4M2	IA4M1	IA4M0	I3C	I3M2	I3M1	I3M0
			R	R/W			R	R/W		
			0	0	0	0	0	0	0	0
		1:INTALM4	Interrupt level			1: INT3	Interrupt level			
INTE-A LM01	Interrupt Enable ALM0/1	93H	INTALM1				INTALM0			
			IA1C	IA1M2	IA1M1	IA1M0	IA0C	IA0M2	IA0M1	IA0M0
			R	R/W			R	R/W		
			0	0	0	0	0	0	0	0
		1:INTALM1	Interrupt level			1:INTALM0	Interrupt level			
INTE-A LM23	Interrupt Enable ALM2/3	94H	INTALM3				INTALM2			
			IA3C	IA3M2	IA3M1	IA3M0	IA2C	IA2M2	IA2M1	IA2M0
			R	R/W			R	R/W		
			0	0	0	0	0	0	0	0
		1:INTALM3	Interrupt level			1:INTALM2	Interrupt level			
INTE-TA01	Interrupt Enable Timer A 1/0	95H	INTTA1(TMRA1)				INTTA0(TMRA0)			
			ITA1C	ITA1M2	ITA1M1	ITA1M0	ITA0C	ITA0M2	ITA0M1	ITA0M0
			R	R/W			R	R/W		
			0	0	0	0	0	0	0	0
		1: INTTA1	Interrupt level			1: INTTA0	Interrupt level			
INTE-TA23	Interrupt Enable Timer A 3/2	96H	INTTA3(TMRA5)				INTTA2(TMRA4)			
			ITA3C	ITA3M2	ITA3M1	ITA3M0	ITA2C	ITA2M2	ITA2M1	ITA2M0
			R	R/W			R	R/W		
			0	0	0	0	0	0	0	0
		1: INTTA3	Interrupt level			1: INTTA2	Interrupt level			
INTE-RTCKEY	Interrupt Enable RTC & KEY	97H	INTKEY				INTRTC			
			IKC	IKM2	IKM1	IKM0	IRC	IRM2	IRM1	IRM0
			R	R/W			R	R/W		
			0	0	0	0	0	0	0	0
		1: INTKEY	Interrupt level			1: INTRTC	Interrupt level			

(3) Interrupt Control (2/3)

Symbol	Name	Address	7	6	5	4	3	2	1	0	
INTES0	Interrupt Enable Serial 0	98H	INTTX0				INTRX0				
			ITX0C	ITX0M2	ITX0M1	ITX0M0	IRX0C	IRX0M2	IRX0M1	IRX0M0	
			R	R/W			R	R/W			
			0	0	0	0	0	0	0	0	
1:INTTX0			Interrupt level				1:INTRX0			Interrupt level	
INTES1	Interrupt Enable Serial 1	99H	INTTX1				INTRX1				
			ITX1C	ITX1M2	ITX1M1	ITX1M0	IRX1C	IRX1M2	IRX1M1	IRX1M0	
			R	R/W			R	R/W			
			0	0	0	0	0	0	0	0	
1:INTTX1			Interrupt level				1:INTRX1			Interrupt level	
INTES2 LCD	Interrupt Enable Serial 2 /LCD	9AH	INTLCD				INTS2				
			ILCD2C	ILCDM2	ILCDM1	ILCDM0	IS2C	IS2M2	IS2M1	IS2M0	
			R	R/W			R	R/W			
			0	0	0	0	0	0	0	0	
1:INTLCD			Interrupt level				1:INTS2			Interrupt level	
INTETC 01	Interrupt Enable TC0/1	9BH	INTTC1				INTTC0				
			ITC1C	ITC1M2	ITC1M1	ITC1M0	ITC0C	ITC0M2	ITC0M1	ITC0M0	
			R	R/W			R	R/W			
			0	0	0	0	0	0	0	0	
INTETC 23	Interrupt Enable TC2/3	9CH	INTTC3				INTTC2				
			ITC3C	ITC3M2	ITC3M1	ITC3M0	ITC2C	ITC2M2	ITC2M1	ITC2M0	
			R	R/W			R	R/W			
			0	0	0	0	0	0	0	0	
INTEP01	Interrupt Enable PC0/1	9DH	INTP1				INTP0				
			IP1C	IP1M2	IP1M1	IP1M0	IPOC	IP0M2	IP0M1	IP0M0	
			R	R/W			R	R/W			
			0	0	0	0	0	0	0	0	
INTE-SS 01	Interrupt Enable SSIO0/1	9EH	INTSS1				INTSS0				
			ISS1C	ISS1M2	ISS1M1	ISS1M0	ISS0C	ISS0M2	ISS0M1	ISS0M0	
			R	R/W			R	R/W			
			0	0	0	0	0	0	0	0	
INTE-SS 2	Interrupt Enable SSIO2	9FH					INTSS2				
							ISS2C	ISS2M2	ISS2M1	ISS2M0	
							R	R/W			
							0	0	0	0	
INTES3	Interrupt Enable Serial 3	A0H	INTTX2				INTRX2				
			ITX2C	ITX2M2	ITX2M1	ITX2M0	IRX2C	IRX2M2	IRX2M1	IRX2M0	
			R	R/W			R	R/W			
			0	0	0	0	0	0	0	0	
1:INTTX2			Interrupt level				1:INTRX2			Interrupt level	
INTE-T B0	Interrupt Enable TMRB0	A1H	INTTB01				INTTB00				
			ITB01C	ITB01M2	ITB01M1	ITB01M0	ITB00C	ITB00M2	ITB00M1	ITB00M0	
			R	R/W			R	R/W			
			0	0	0	0	0	0	0	0	
1:INTTB01			Interrupt level				1:INTTB00			Interrupt level	



(3) Interrupt Control (3/3)

Symbol	Name	Address	7	6	5	4	3	2	1	0		
DMA0 V	DMA 0 Request Vector	80H	/	/	DMA0V5	DMA0V4	DMA0V3	DMA0V2	DMA0V1	DMA0V0		
			R/W									
			0	0	0	0	0	0				
			DMA0 Start vector									
DMA1 V	DMA 1 Request Vector	81H	/	/	DMA1V5	DMA1V4	DMA1V3	DMA1V2	DMA1V1	DMA1V0		
			R/W									
			0	0	0	0	0	0				
			DMA1 Start vector									
DMA2 V	DMA 2 Request Vector	82H	/	/	DMA2V5	DMA2V4	DMA2V3	DMA2V2	DMA2V1	DMA2V0		
			R/W									
			0	0	0	0	0	0				
			DMA2 Start vector									
DMA3 V	DMA 3 Request Vector	83H	/	/	DMA3V5	DMA3V4	DMA3V3	DMA3V2	DMA3V1	DMA3V0		
			R/W									
			0	0	0	0	0	0				
			DMA3 Start vector									
INTCLR	Interrupt Clear Control	88H (Prohibit RMW)	/	/	CLR5	CLR4	CLR3	CLR2	CLR1	CLR0		
			W									
			-	-	-	-	-	-				
			Clears interrupt request flag by writing to DMA start vector									
DMAR	DMA Software Request Register	89H	/	/	/	/	DMAR3	DMAR2	DMAR1	DMAR0		
			R/W						R/W	R/W	R/W	R/W
			0	0	0	0	0	0				
			1: DMA request in software									
DMAB	DMA Burst Request Register	8AH	/	/	/	/	DMAB3	DMAB2	DMAB1	DMAB0		
			R/W						R/W	R/W	R/W	R/W
			0	0	0	0	0	0				
			1: DMA request on Burst Mode									
IIMC	Interrupt Input Mode Control	8CH (Prohibit RMW)	/	/	I3EDGE	I2EDGE	I1EDGE	I0EDGE	I0LE	NMIREE		
			W	W	w	W	W	W	W			
			0	0	0	0	0	0	0			
			Always write 0	INT3 edge 0: Rising 1: Falling	INT2 edge 0: Rising 1: Falling	INT1 edge 0: Rising 1: Falling	INT0 edge 0: Rising 1: Falling	INT0 0: edge 1: level	1: operation even on NMI rising edge			

(4) Chip Select/Wait Control (1/2)

Symbol	Name	Address	7	6	5	4	3	2	1	0		
B0CS	Block 0 CS/WAIT control Register	C0H (Prohibit RMW)	B0E	/	B00M1	B00M0	B0BUS	B0W2	B0W1	B0W0		
			W		W	W	W	W	W			
			0	0	0	0	0	0	0	0		
			0: DIS 1: EN		00: ROM/SRAM 01: } 10: } 11: }	Reserved	Data bus width 0: 16 bit 1: 8 bit	000: 2WAIT 100: Reserved 001: 1WAIT 101: 3WAIT 010: 1 + NWAIT 110: 4WAIT 011: 0WAIT 111: 8WAIT				
B1CS	Block 1 CS/WAIT control Register	C1H (Prohibit RMW)	B1E	/	B10M1	B10M0	B1BUS	B1W2	B1W1	B1W0		
			W		W	W	W	W	W			
			0	0	0	0	0	0	0	0		
			0: DIS 1: EN		00: ROM/SRAM 01: } 10: } 11: }	Reserved	Data bus width 0: 16 bit 1: 8 bit	000: 2WAIT 100: Reserved 001: 1WAIT 101: 3WAIT 010: 1 + NWAIT 110: 4WAIT 011: 0WAIT 111: 8WAIT				
B2CS	Block 2 CS/WAIT control Register	C2H (Prohibit RMW)	B2E	B2M	B20M1	B20M0	B2BUS	B2W2	B2W1	B2W0		
			W	W	W	W	W	W	W	W		
			1	0	0	0	0	0	0	0		
			0: DIS 1: EN	0: 16 M Area 1: Area set	00: ROM/SRAM 01: } 10: } 11: }	Reserved	Data bus width 0: 16 bit 1: 8 bit	000: 2WAIT 100: Reserved 001: 1WAIT 101: 3WAIT 010: 1 + NWAIT 110: 4WAIT 011: 0WAIT 111: 8WAIT				
B3CS	Block 3 CS/WAIT control Register	C3H (Prohibit RMW)	B3E	/	B30M1	B30M0	B3BUS	B3W2	B3W1	B3W0		
			W		W	W	W	W	W			
			0	0	0	0	0	0	0	0		
			0: DIS 1: EN		00: ROM/SRAM 01: } 10: } 11: }	Reserved	Data bus width 0: 16 bit 1: 8 bit	000: 2WAIT 100: Reserved 001: 1WAIT 101: 3WAIT 010: 1 + NWAIT 110: 4WAIT 011: 0WAIT 111: 8WAIT				
BEXCS	External CS/WAIT control Register	C7H (Prohibit RMW)	/				BEXBUS	BEXW2	BEXW1	BEXW0		
							W	W	W	W		
							0	0	0	0		
							Data bus width 0: 16 bit 1: 8 bit	000: 2WAIT 100: Reserved 001: 1WAIT 101: 3WAIT 010: 1 + NWAIT 110: 4WAIT 011: 0WAIT 111: 8WAIT				
MSAR0	Memory Start Address Reg0	C8H	S23	S22	S21	S20	S19	S18	S17	S16		
			R/W									
			1	1	1	1	1	1	1	1	1	
			Start address A23 to A16									
MAMR0	Memory Address Mask Reg0	C9H	V20	V19	V18	V17	V16	V15	V14~9	V8		
			R/W									
			1	1	1	1	1	1	1	1	1	
			CS0 area size 0: enable to address comparison									
MSAR1	Memory Start Address Reg1	CAH	S23	S22	S21	S20	S19	S18	S17	S16		
			R/W									
			1	1	1	1	1	1	1	1	1	
			Start address A23 to A16									
MAMR1	Memory Address Mask Reg1	CBH	V21	V20	V19	V18	V17	V16	V15~9	V8		
			R/W									
			1	1	1	1	1	1	1	1	1	
			CS0 area size 0: enable to address comparison									

Chip Select/Wait Control (2/2)

Symbol	Name	Address	7	6	5	4	3	2	1	0	
MSAR2	Memory Start Address Reg2	CCH	S23	S22	S21	S20	S19	S18	S17	S16	
			R/W								
			1	1	1	1	1	1	1	1	1
			Start address A23 to A16								
MAMR2	Memory Address Mask Reg2	CDH	V22	V21	V20	V19	V18	V17	V16	V15	
			R/W								
			1	1	1	1	1	1	1	1	1
			CS0 area size 0: enable to address comparison								
MSAR3	Memory Start Address Reg3	CEH	S23	S22	S21	S20	S19	S18	S17	S16	
			R/W								
			1	1	1	1	1	1	1	1	1
			Start address A23 to A16								
MAMR3	Memory Address Mask Reg3	CFH	V22	V21	V20	V19	V18	V17	V16	V15	
			R/W								
			1	1	1	1	1	1	1	1	1
			CS0 area size 0: enable to address comparison								

(5) Clock Gear (1/2)

Symbol	Name	Address	7	6	5	4	3	2	1	0	
SYSCR0	System Clock Control Register 0	E0H	XEN	XTEN	RXEN	RXTEN	RSYSCK	WUEF	PRCK1	PRCK0	
			R/W								
			1	1	1	0	0	0	0	0	
			High-frequency oscillator (fc) 0: stopped 1: oscillation	Low-frequency oscillator (fs) 0: stopped 1: oscillation	High-frequency oscillator (fc) after release of STOP Mode 0: stopped 1: oscillation	Low-frequency oscillator (fs) after release of STOP Mode 0: stopped 1: oscillation	Select clock after release of STOP Mode 0: fc 1: fs	Warm-up timer 0 write: Don't care 1 write: start timer 0 read: end warm-up 1 read: not end warm-up	Select prescaler clock 00: fPH 01: reserved 10: fc/16 11: reserved		
SYSCR1	System Clock Control Register 1	E1H	/				SYSCK	GEAR2	GEAR1	GEAR0	
			R/W								
							0 System clock selection 0: fc 1: fs	1 High-frequency gear value selection 000: fc 001: fc/2 010: fc/4 011: fc/8 100: fc/16 101: (reserved) 110: (reserved) 111: (reserved)	0	0	
SYSCR2	System Clock Control Register 2	E2H	PSENV	/		WUPTM1	WUPTM0	HALTM1	HALTM0	SELDRV	DRVE
			R/W								
			0		1	0	1	1	0	0	
			1: normal 0: power save mode enable		Warming-up time 00: reserved 01: 2 <sup>8</sup> /input frequency 10: 2 <sup>14</sup> 11: 2 <sup>16</sup>		00: reserved 01: STOP Mode 10: IDLE1 Mode 11: IDLE2 Mode		<Drive> Mode Select 1: STOP 0: IDLE	1: Drive the pin in STOP/ Mode	

(5) Clock Gear (2/2)

Symbol	Name	Address	7	6	5	4	3	2	1	0
EMCCR0	EMC Control Register 0	E3H	PROTECT	TA3LCE	AHOLD	TA3MLE		EXTIN	DRVOSCH	DRVOSCL
			R	R/W	R/W	R/W		R/W	R/W	R/W
			0	0	0	0		0	1	1
			Protection flag 0: OFF 1: ON	LCDC Source clock 0:32KHz 1:TA3OUT	Address hold 0:normal 1:enable	Melody/Alarm Source clock 0:32KHz 1:TA3OUT		1: f <sub>e</sub> is external clock.	f <sub>e</sub> oscillator drivability 1: Normal 0: Weak	f <sub>s</sub> oscillator driveability 1: Normal 0: Weak
EMCCR1	EMC Control Register 1	E4H	Switching the protect ON/OFF by writing following 1 <sup>ST</sup> -KEY,2 <sup>ND</sup> -KEY. Continuation writes in 1 <sup>ST</sup> -KEY:EMCCR1=5AH,EMCCR2=A5H. Continuation writes in 2 <sup>ND</sup> -KEY:EMCCR1=A5H, EMCCR2=5AH.							
EMCCR2	EMC Control Register 2	E5H								
EMCCR3	EMC Control Register 3	E6H		ENFROM	ENDROM	ENPROM		FFLAG	DFLAG	PFLAG
				R/W	R/W	R/W		R/W	R/W	R/W
				0	1	0		0	1	1
			CS1A area detect enable 0:disable 1:enable	CS2B-2G area detect Enable 0:disable 1:enable	CS2A area detect enable 0:disable 1:enable		CS1A Write operation flag When reading "0": not written "1": written	CS2B-2G Write operation flag When writing "0": clear flag	CS2A Write operation flag	

Note: EMCCR1

If protection is on, write operations to the following SFRs are not possible.

1. CS/WAIT control  
B0CS, B1CS, B2CS, B3CS, BEXCS,  
MSAR0, MSAR1, MSAR2, MSAR3,  
MAMR0, MAMR1, MAMR2, and MAMR3
2. MMU  
LOCAL0/1/2/3
3. Clock Gear (EMCCR1, 2 can be written to)  
SYSCR0, SYSCR1, SYSCR2 and EMCCR0
4. DFM  
DFMCR0 and DFMCR1

(6) DFM (clock doubler)

Symbol	Name	Address	7	6	5	4	3	2	1	0		
DFMCR0	DFM Control Register 0	E8H	ACT1	ACT0	DLUPFG	DLUPTM						
			R/W	R/W	R	R/W						
			0	0	0	0						
			DFM	LUP	f <sub>PH</sub>	Lock-up falg						Lock-up time
			00 STOP STOP f <sub>OSCH</sub>	0: End LUP	0: 2 <sup>12</sup> f <sub>OSCH</sub>							
01 RUN RUN f <sub>OSCH</sub>	1: Do not end LUP	1: 2 <sup>10</sup> f <sub>OSCH</sub>										
10 RUN STOP f <sub>DFM</sub>												
11 RUN STOP f <sub>OSCH</sub>												
DFMCR1	DFM Control Register 1	E9H	Write "0BH" before starting lock-up operation.									

(7) 8-Bit Timer

(7-1) TMRA01

Symbol	Name	Address	7	6	5	4	3	2	1	0		
TA01-RUN	Timer RUN	100H	TA0RDE				I2TA01	TA01PRUN	TA1RUN	TA0RUN		
			R/W				R/W	R/W	R/W			
			0				0	0	0	0		
			Double Buffer 0: Disable 1: Enable				IDLE2 0: Stop 1: Operate	8-Bit Timer Run/Stop control 0: Stop & Clear 1: Run (count up)				
TA0REG	8-Bit Timer Register 0	102H (Prohibit RMW)	-									
			W									
			Undefined									
TA1REG	8-Bit Timer Register 1	103H (Prohibit RMW)	-									
			W									
			Undefined									
TA01-MOD	8-Bit Timer Source CLK & MODE	104H	TA01M1	TA01M0	PWM01	PWM00	TA1CLK1	TA1CLK0	TA0CLK1	TA0CLK0		
			R/W									
			0	0	0	0	0	0	0	0	0	
			00: 8-Bit Timer 01: 16-Bit Timer 10: 8-Bit PPG 11: 8-Bit PWM		00: Reserved 01: $2^6 - 1$ PWM cycle 10: $2^7 - 1$ 11: $2^8 - 1$		00: TA0TRG 01: $\phi T1$ 10: $\phi T16$ 11: $\phi T256$		00: TA0IN pin 01: $\phi T1$ 10: $\phi T4$ 11: $\phi T16$			
TA1FFCR	8-Bit Timer Flip-Flop Control	105H				TAFF1C1	TAFF1C0	TAFF1IE	TAFF1IS			
						W*			R/W			
						1	1	0	0			
						00: Invert TA1FF 01: Set TA1FF 10: Clear TA1FF 11: Don't care		1: TA1FF Invert Enable		0: TMRA0 1: TMRA1 inversion		

(7-2) TMRA23

Symbol	Name	Address	7	6	5	4	3	2	1	0		
TA23-RUN	Timer RUN	108H	TA2RDE				I2TA23	TA23PRUN	TA3RUN	TA2RUN		
			R/W				R/W	R/W	R/W			
			0				0	0	0	0		
			Double Buffer 0: Disable 1: Enable				IDLE2 0: Stop 1: Operate	8-Bit Timer Run/Stop control 0: Stop & Clear 1: Run (count up)				
TA2REG	8-Bit Timer Register 0	10AH (RMW 禁)	-									
			W									
			Undefined									
TA3REG	8-Bit Timer Register 1	10BH (RMW 禁)	-									
			W									
			Undefined									
TA23-MOD	8-Bit Timer Source CLK & MODE	10CH	TA23M1	TA23M0	PWM21	PWM20	TA3CLK1	TA3CLK0	TA2CLK1	TA2CLK0		
			R/W									
			0	0	0	0	0	0	0	0	0	
			00: 8-Bit Timer 01: 16-Bit Timer 10: 8-Bit PPG 11: 8-Bit PWM		00: Reserved 01: $2^6 - 1$ PWM cycle 10: $2^7 - 1$ 11: $2^8 - 1$		00: TA2TRG 01: $\phi T1$ 10: $\phi T16$ 11: $\phi T256$		00: Reserved 01: $\phi T1$ 10: $\phi T4$ 11: $\phi T16$			
TA3FFCR	8-Bit Timer Flip-Flop	10DH				TAFF3C1	TAFF3C0	TAFF3IE	TAFF3IS			
						W*			R/W			
						1	1	0	0			

	Control						00: Invert TA3FF 01: Set TA3FF 10: Clear TA1FF 11: Don't care	1: TA3FF Invert Enable	0: TMRA2 1: TMRA3 inversion
--	---------	--	--	--	--	--	--	------------------------------	-----------------------------------

(8) UART/Serial Channel (1/3)

(8-1) UART/SIO Channel 0

Symbol	Name	Address	7	6	5	4	3	2	1	0		
SC0BUF	Serial Channel 0 Buffer	200H	RB7/TB7	RB6/TB6	RB5/TB5	RB4/TB4	RB3/TB3	RB2/TB2	RB1/TB1	RB0/TB0		
			R (Receiving)/W (Transmission)									
			Undefined									
SC0CR	Serial Channel 0 Control	201H	RB8	EVEN	PE	OERR	PERR	FERR	SCLKS	IOC		
			R	R/W		R (Cleared to 0 by reading)			R/W			
			0	0	0	0	0	0	0	0		
			Receiving data bit 8	Parity 0: Odd 1: Even	1: Parity Enable	1: Error Over Run Parity Framing			0:SCLK0↑ 1:SCLK0↓	1: Input SCLK0 pin		
SC0-MOD0	Serial Channel 0 Mode0	202H	TB8	CTSE	RXE	WU	SM1	SM0	SC1	SC0		
			R/W									
			0	0	0	0	0	0	0	0		
			Transmission data bit 8	1:CTS Enable	1:Receive Enable	1:Wake-up Enable	00: I/O Interface 01: UART 7-Bit 10: UART 8-Bit 11: UART 9-Bit		00:TA0TRG 01: baud rate generator 10: internal clock f <sub>SYS</sub> 11: external clock SCLK0			
BR0CR	Baud Rate Control	203H	—	BR0ADD	BR0CK1	BR0CK0	BR0S3	BR0S2	BR0S1	BR0S0		
			R/W									
			0	0	0	0	0	0	0	0		
			Always write 0.	1: (16-K) /16 divided Enable	00: φT0 01: φT2 10: φT8 11: φT32	Set the dividing value. 0 to F						
BR0-AD D	Serial Channel 0 K setting Reg	204H	/				BR0K3	BR0K2	BR0K1	BR0K0		
			R/W									
			0	0	0	0	0	0				
SC0-MOD1	Serial Channel 0 Mode1	205H	I2S0	FDPX0	/							
			R/W	R/W								
			0	0								
			IDLE2 0: Stop 1: Operate	I/O interface 1: Full Duplex 0: Half Duplex								

(8-2) IrDA

Symbol	Name	Address	7	6	5	4	3	2	1	0	
SIRCR	IrDA Control Register	207H	PLSEL	RXSEL	TXEN	RXEN	SIRWD3	SIRWD2	SIRWD1	SIRWD0	
			R/W	R/W	R/W	R/W	R/W				
			0	0	0	0	0	0	0	0	
			Transmission pulse width 0: 3/16 1: 1/16	Receiving Data 0: "H" pulse 1: "L" pulse	Transmission 0: Disable 1: Enable	Receiving 0: Disable 1: Enable	Set the effective SIRRxD pulse width Pulse width more than "2x × (set value + 1)" Possible : 1 to 14 Not possible : 0, 15				



UART/Serial Channel (2/3)

(8-3) UART /SIO Channel1

Symbol	Name	Address	7	6	5	4	3	2	1	0		
SC1BUF	Serial Channel 1 Buffer	208H	RB7/TB7	RB6/TB6	RB5/TB5	RB4/TB4	RB3/TB3	RB2/TB2	RB1/TB1	RB0/TB0		
			R (Receiving)/W (Transmission)									
			Undefined									
SC1CR	Serial Channel 1 Control	209H	RB8	EVEN	PE	OERR	PERR	FERR	SCLKS	IOC		
			R	R/W		R (Cleared to 0 by reading)			R/W			
			0	0	0	0	0	0	0	0		
			Receiving data bit 8	Parity 0: Odd 1: Even	1: Parity Enable	1: Error Over Run		Parity	Framing	0: SCLK1↑ 1: SCLK1↓	1: Input SCLK1 pin	
SC1-MOD0	Serial Channel 1 Mode	20AH	TB8	CTSE	RXE	WU	SM1	SM0	SCI	SC0		
			R/W									
			0	0	0	0	0	0	0	0		
			Transmission data bit 8	1: CTS Enable	1: Receive Enable	1: Wake up Enable	00: I/O Interface 01: UART 7 bit 10: UART 8 bit 11: UART 9 bit		00: TA0TRG 01: baud rate generator 10: internal clock f <sub>SYS</sub> 11: external clock SCLK1			
BR1CR	Baud Rate Control	20BH	—	BR1ADD	BR1CK1	BR1CK	BR1S3	BR1S2	BR1S1	BR1S0		
			R/W									
			0	0	0	0	0	0	0	0		
			Always writes 0.	1: (16-K)/16 divided Enable	00: φT0 01: φT2 10: φT8 11: φT32	Dividing value 0 to F						
BR1-ADD	Serial Channel 1 K setting Reg	20CH	/				BR1K3	BR1K2	BR1K1	BR1K0		
			R/W									
			/				0	0	0	0		
			Set the frequency divisor K 1 to F									
SC1-MOD1	Serial Channel 1 Mode1	20DH	I2S1	FDPX1	/							
			R/W	R/W								
			0	0								
			IDLE2	I/O interface mode								
			0: Stop 1: Operate	1: full Duplex 0: Half Duplex								

UART/Serial Channel (3/3)

(8-4) UART/SIO Channel2

Symbol	Name	Address	7	6	5	4	3	2	1	0		
SC2BUF	Serial Channel 2 Buffer	210H	RB7/TB7	RB6/TB6	RB5/TB5	RB4/TB4	RB3/TB3	RB2/TB2	RB1/TB1	RB0/TB0		
			R (Receiving)/W (Transmission)									
			Undefined									
SC2CR	Serial Channel 2 Control	211H	RB8	EVEN	PE	OERR	PERR	FERR				
			R	R/W		R (Cleared to 0 by reading)						
			0	0	0	0	0	0	0	0		
			Receiving data bit 8	Parity 0: Odd 1: Even	1: Parity Enable	Over Run	1: Error Parity	Framing	Always write 0.	Always write 0.		
SC2-MOD0	Serial Channel 2 Mode	212H	TB8		RXE	WU	SM1	SM0	SC1	SC0		
			R/W									
			0	0	0	0	0	0	0	0		
			Transmission data bit 8	Always write 0.	1: Receive Enable	1: Wake up Enable	00: Reserved 01: UART 7 bit 10: UART 8 bit 11: UART 9 bit	00: TA0TRG 01: baud rate generator 10: internal clock f <sub>SYS</sub> 11: external clock SCLK1				
BR2CR	Baud Rate Control	213H	—	BR1ADD	BR1CK1	BR1CK	BR1S3	BR1S2	BR1S1	BR1S0		
			R/W									
			0	0	0	0	0	0	0	0		
			Always write 0.	1: (16-K)/16 divided Enable	00: φT0 01: φT2 10: φT8 11: φT32	Dividing value 0 to F						
BR2-ADD	Serial Channel 2 K setting Reg	214H					BR1K3	BR1K2	BR1K1	BR1K0		
			R/W									
			0	0	0	0	0	0	0	0		
			Set the frequency divisor K 1 to F									
SC2-MOD1	Serial Channel 2 Mode1	215H	I2S1	FDPX1								
			R/W	R/W								
			0	0								
			IDLE2	I/O interface mode								
0: Stop	1: Operate	1: full Duplex	0: Half Duplex									

(9) I<sup>2</sup>CBUS/Serial Interface

Symbol	Name	Address	7	6	5	4	3	2	1	0	
SBIOCR1	Serial Bus Interface Control Register 1	240H (I2C Bus Mode)	BC2	BC1	BC0	ACK		SCK2	SCK1	SCK0 /SWRMON	
			W			R/W		W	W	R/W	
			0	0	0	0		0	0	0	
		(Prohibit RMW)	Number of transfer bits 000: 8, 001: 1, 010: 2 011: 3, 100: 4, 101: 5 110: 6, 111: 7			Acknowledge Mode 0: Disable 1: Enable		Setting for the divisor value n 000: 4, 001: 5, 010: 6 011: 7, 100: 8, 101: 9 110: 10, 111: (reserved)			
		240H (SIO Mode)	SIOS	SIOINH	SIOM1	SIOM0		SCK2	SCK1	SCK0 /SWRMON	
W			W	W	W	W		R/W			
0	0		0	0	0	0		0	0		
(Prohibit RMW)	Transfer 0: Stop 1: Start	Transfer 0: Continue 1: Abort	Transfer mode 00: 8-Bit Transmit Mode 10: 8-Bit Transmit/Receive Mode 11: 8-Bit received Mode		Setting for the divisor value n 000: 3, 001: 4, 010: 5 011: 6, 100: 7, 101: 8 110: 9, 111: SCK pin						
SBI0-DBR	SBI Buffer Register	241H (Prohibit RMW)	RB7/TB7	RB6/TB6	RB5/TB5	RB4/TB4	RB3/TB3	RB2/TB2	RB1/TB1	PB0/TB0	
			R (receiving)/W (transmission)								
			Undefined								
I2C0AR	I2CBUS Address Register	242H (Prohibit RMW)	SA6	SA5	SA4	SA3	SA2	SA1	SA0	ALS	
			W	W	W	W	R/W	R/W	R/W	R/W	
			0	0	0	0	0	0	0	0	
		Setting slave address									Address recognition 0: Enable 1: Disable
SBI0-CR2  (SBI0SR)	Serial Bus Interface Control Register 2	243H (I <sup>2</sup> C bus Mode)	MST	TRX	BB	PIN	AL/SBIM1	AAS/SBIM0	AD0/SWRST	LRB/SWRST0	
			R/W	R/W	R/W	R/W	R/W	R/W	R/W	R/W	
			0	0	0	1	0	0	0	0	
		(Prohibit RMW)	0: Slave 1: Master	0: receiver 1: transmit	Bus status monitor 0: Free 1: Busy	INTS2 request monitor 0: Request 1: Cancel	Arbitration lost detection monitor 1: Detect	Slave address match monitor 1: Detect	GENERAL CALL detection monitor 1: Detect	Lost receive bit monitor 0: 0 1: 1	
		243H (SIO Mode)	—		—		SIOF		SEF	—	
					R	R					
(Prohibit RMW)					0	0	Transfer status monitor 0: stopped 1: terminated in process	Shift operation status monitor 0: stopped 1: terminated in process			
SBI0-BR0	Serial Bus Interface Baud Rate Register 0	244H	I2SBI0								
			R/W								
			0								
			Always write 0.	IDLE2 0: Abort 1: Operate							
SBI0-BR1	Serial Bus Interface Baud Rate Register 1	245H	P4EN								
			R/W								
			0								
			Clock control 0: Abort 1: Operate								

(10) AD Converter

Symbol	Name	Address	7	6	5	4	3	2	1	0	
ADM0D0	A/D MODE Reg0	2B0H	EOCF	ADBF	-	ITM1	ITM0	REPEAT	SCAN	ADS	
			R		R/W	R/W	R/W	R/W	R/W	R/W	
			0	0	0	0	0	0	0	0	
			1: End	1: busy		Interrupt in Repeat Mode			1: Repeat	1: Scan	1: Start
ADM0D1	A/D MODE Reg1	2B1H	VREFON	I2AD			ADTRGE	ADCH2	ADCH1	ADCH0	
			R/W	R/W			R/W	R/W			
			0	0			0	0	0	0	
			1: VREF On	IDLE2 0: Abort 1: Operate			1: Enable for external start	Input channel 000: AN0 AN0 001: AN1 AN0 → AN1 010: AN2 AN0 → AN1 → AN2 011: AN3 AN0 → AN1 → AN2 → AN3 100: AN4 AN4 101: AN5 AN4 → AN5 110: AN6 AN4 → AN5 → AN6 111: AN7 AN4 → AN5 → AN6 → AN7			
AD REG04L	AD Result Reg 0/4 low	2A0H	ADR01	ADR00						ADR0RF	
			R							R	
			Undefined								
AD REG04H	AD Result Reg 0/4 high	2A1H	ADR09	ADR08	ADR07	ADR06	ADR05	ADR04	ADR03	ADR02	
			R								
			Undefined								
AD REG15L	AD Result Reg 1/5 low	2A2H	ADR11	ADR10						ADR1RF	
			R							R	
			Undefined								
AD REG15H	AD Result Reg 1/5 high	2A3H	ADR19	ADR18	ADR17	ADR16	ADR15	ADR14	ADR13	ADR12	
			R								
			Undefined								
AD REG26L	AD Result Reg 2/6 low	2A4H	ADR21	ADR20						ADR2RF	
			R							R	
			Undefined								
AD REG26H	AD Result Reg 2/6 high	2A5H	ADR29	ADR28	ADR27	ADR26	ADR25	ADR24	ADR23	ADR22	
			R								
			Undefined								
AD REG37L	AD Result Reg 3/7 low	2A6H	ADR31	ADR30	—	—	—	—	—	ADR3RF	
			R							R	
			Undefined								
AD REG37H	AD Result Reg 3/7 high	2A7H	ADR39	ADR38	ADR37	ADR36	ADR35	ADR34	ADR33	ADR32	
			R								
			Undefined								

(11) Watchdog Timer

Symbol	Name	Address	7	6	5	4	3	2	1	0
WDMOD	WDT MODE Reg	300H	WDTE	WDTP1	WDTP0			I2WDT	RESCR	—
			R/W	R/W	R/W			R/W	R/W	R/W
			1	0	0			0	0	0
			1: WDT Enable	00: 2 <sup>15</sup> /k <sub>sys</sub> 01: 2 <sup>17</sup> /k <sub>sys</sub> 10: 2 <sup>19</sup> /k <sub>sys</sub> 11: 2 <sup>21</sup> /k <sub>sys</sub>			IDLE2 0: Abort 1: Operate	1: RESET connect internally WDT out to Reset pin	Always write 0.	
WDCR	WD Control	301H	—							
			W							
			—							
			B1H: WDT Disable 4EH: WDT Clear							

(12) RTC (Real Time Clock)

Symbol	Name	Address	7	6	5	4	3	2	1	0
SECR	Second Reg	320H	/	SE6	SE5	SE4	SE3	SE2	SE1	SE0
			R/W							
			Undefined							
			"0"	40 sec.	20 sec.	10 sec.	8 sec.	4 sec.	2 sec.	1 sec.
MINR	Minute Reg	321H	/	MI6	MI5	MI4	MI3	MI2	MI1	MI0
			R/W							
			Undefined							
			"0"	40 min.	20 min.	10 min.	8 min.	4 min.	2 min.	1 min.
HOURL	Hour Reg	322H	/	/	HO5	HO4	HO3	HO2	HO1	HO0
			R/W							
			Undefined							
			"0"	"0"	20 hour (PM/AM)	10 hour	8 hour	4 hour	2 hour	1 hour
DAYR	Day Reg	323H	/	/	/	/	/	WE2	WE1	WE0
			R/W							
			Undefined							
			"0"	"0"	"0"	"0"	"0"	WE2	WE1	WE0
DATER	Date Reg	324H	/	/	DA5	DA4	DA3	DA2	DA1	DA0
			R/W							
			Undefined							
			"0"	"0"	20 day	10 day	8 day	4 day	2 day	1 day
MONTHR	Month Reg	325H	/	/	/	MO4	MO3	MO2	MO1	MO0
			R/W							
			Undefined							
		PAGE0	"0"	"0"	"0"	10 month	8 month	4 month	2 month	1 month
		PAGE1				--	--	--	--	0: Indicator for 12 hours 1: Indicator for 24 hours
YEARR	Year Reg	326H	YE7	YE6	YE5	YE4	YE3	YE2	YE1	YE0
			R/W							
			Undefined							
		PAGE0	80 year	40 year	20 year	10 year	8 year	4 year	2 year	1 year
PAGE1	--	--	--	--	--	--	Leap year setting			
PAGER	Page Reg(Prohibit RMW)	327H	INTENA	/	/	ADJUST	ENATMR	ENAALM	/	PAGE
			R/W							
			0							
			INTRTC ENABLE			ADJUST	TIMER ENABLE	ALARM ENABLE		PAGE setting
RESTR	Reset Reg(Prohibit RMW)	328H	DIS1HZ	DIS16HZ	RSTTMR	RSTALM	RE3	RE2	RE1	RE0
			W							
			Undefined							
			0: 1HZ	0: 16HZ	1: RESET TIMER	1: RESET ALARM	Always write 0.			

(13) Melody/Alarm Generator

Symbol	Name	Address	7	6	5	4	3	2	1	0		
ALM	Alarm – Pattern Reg	330H	AL8	AL7	AL6	AL5	AL4	AL3	AL2	AL1		
			R/W									
			0									
			Alarm –Pattern set									
MEL-A LMC	Melody/ Alarm Control Reg	331H	FC1	FC0	ALMINV					MELALM		
			R/W		R/W					R/W		
			0		0					0		
			Free-run counter Control 00: Hold 01: Restart 10: Clear 11: Clear & Start		Alarm Frequency Invert 1: Invert	Always write 0				Output Frequency 0: Alarm 1: Melody		
MELFL	Melody Frequency L-Reg	332H	ML7	ML6	ML5	ML4	ML3	ML2	ML1	ML0		
			R/W									
			0									
			Melody Frequency set (low 8bit)									
MELFH	Melody Frequency H-Reg	333H	MELON				ML11	ML10	ML9	ML8		
			R/W				R/W					
			0				0					
			Melody counter Control 0: Stop and Clear 1: Start				Melody Frequency set (high 4bit)					
ALMINT	Alarm Interrupt Enable Reg	334H				IALM4E	IALM3E	IALM2E	IALM1E	IALM0E		
			R/W									
			0									
			Always write 0				INTALM4 to INTALM0 Alarm Interrupt Enable					

(14) MMU

Symbol	Name	Address	7	6	5	4	3	2	1	0
LOCAL 0	LOCAL0 Control Reg	350H	L0E					L0EA22	L0EA21	L0EA20
			R/W	R/W						
			0	0						
			0: Disable 1: Enable	LOCAL0 area BANK set						
LOCAL 1	LOCAL1 Control Reg	351H	L1E					L1EA23	L1EA22	L1EA21
			R/W	R/W						
			0	0						
			0: Disable 1: Enable	LOCAL1 area ANK set						
LOCAL 2	LOCAL2 Control Reg	352H	L2E					L2EA23	L2EA22	L2EA21
			R/W	R/W						
			0	0						
			0: Disable 1: Enable	LOCAL2 area BANK set						
LOCAL 3	LOCAL3 Control Reg	353H	L3E			L3EA26	L3EA25	L3EA24	L3EA23	L3EA22
			R/W	R/W						
			0	0						
			0: Disable 1: Enable	LOCAL3 area BANK set						



(15) LCD CONTROLLER (1/5)

Symbol	Name	Address	7	6	5	4	3	2	1	0		
LCD MODE	LCD Mode Register	04B0H	BAE	AAE	SCPW1	SCPW0	BURSTW	BULK	RAMTYPE	MODE		
			R/W									
			0	0	1	0	0	0	0	0		
			Used by B AREA 0:Disable 1:Enable	Used by A AREA 0:Disable 1:Enable	SCP width 00:Base Mode 01:2-clock 10:4-clock 11:8-clock	SDRAM burst width always fixed to "0"	SDRAM Bank Selection 0: 64Mbit 1:128Mbit	Display RAM Selection 0:SRAM 1:SDRAM	Mode Selection 0: RAM 1: SR			
LCD-DVM	Divide FRM Register	04B1	FMN7	FMN6	FMN5	FMN4	FMN3	FMN2	FMN1	FMN0		
			R/W									
			0	0	0	0	0	0	0	0		
LCD-SIZE	LCD Size Register	04B2H	COM3	COM2	COM1	COM0	SEG3	SEG2	SEG1	SEG0		
			R/W									
			0									
			Setting the LCD Common number for SR Mode				Setting the LCD Segment Number for SR Mode					
					0000:128	0101:400			0000:128	0101:480		
					0001:160	0110:480			0001:160	0110:560		
		0010:200				0010:240	0111:640					
		0011:240				0011:320						
		0100:320				0100:400						
		other: reserve				other: reserve						
LCDCTL	LCD Control Register	04B3H	LCDON	ALL0	FRMON	TEST	FP9	MMULCD	FP8	START		
			R/W									
			0	0	0	0	0	0	0	0		
			/DOFF Port 0:OFF 1:ON	Setting All COLUMN Ports To 0 0: OFF 1: ON (=ALL0)	Divided FR mode 0: disable 1: enable	Always "0" write	Setting bit9 for fFP [9:0]	Specify Address Of LCD Driver with Built-in RAM 0: OFF 1: ON	Setting bit8 for fFP [9:0]	Start Control in SR Mode 0:STOP 1:START		
LCD-FFP	LCD FRAME FREQUENCY Register	04B4H	FP7	FP6	FP5	FP4	FP3	FP2	FP1	FP0		
			R/W									
			0									
			fFP set value bit7 to 0									
LCDGL	LCD Gray Level Register	04B5H	/						GRAY1	GRAY0		
			/						R/W	R/W		
			/						0	0		
			/						00: monochrome 01: 4 levels 10: 8 levels 11: 16 levels			

LCD CONTROLLER (2/5)

Symbol	Name	Address	7	6	5	4	3	2	1	0
LCDCM	LCD Cursor Mode Register	04B6H	CDE	CCS					CBE1	CBE0
			R/W				R/W			
			0	0					0	0
			Cursor 0:off 1:on	Cursor Color 0: White 1:Black					Cursor Blink interval 00: Don't Blink 01: 2 Hz 10: 1 Hz 11: 0.5 Hz	
LCDCW	LCD Cursor Width Register	04B7H				CW4	CW3	CW2	CW1	CW0
			R/W							
			0	0	0	0	0	0	0	
			Cursor width (X size) 00000: 1dot (MIN) 11111: 32dots (MAX)							
LCDCH	LCD Cursor Height Register	04B8H				CW4	CW3	CW2	CW1	CW0
			R/W							
			0	0	0	0	0	0	0	
			Cursor height (Y size) 00000: 1dot (MIN) 11111: 32dots (MAX)							
LCDCP	LCD Cursor APB Register	04B9H					APB 3	APB 2	APB 1	APB 0
			R/W							
			0	0	0	0	0	0		
			Setting bit3-0 for cursor absolute position							
LCDCPL	LCD Cursor AP Register-L	04BAH	CAP 7	CAP 6	CAP 5	CAP 4	CAP 3	CAP 2	CAP 1	CAP 0
			R/W							
			0	0	0	0	0	0	0	0
			Setting bit7-0 for cursor absolute position							
LCDCP M	LCD Cursor AP Register-M	04BBH	CAP 15	CAP 14	CAP 13	CAP 12	CAP 11	CAP 10	CAP 9	CAP 8
			R/W							
			0	0	0	0	0	0	0	0
			Setting bit15-8 for cursor absolute position							
LCDCPH	LCD Cursor AP Register-H	04BCH	CAP 23	CAP 22	CAP 21	CAP 20	CAP 19	CAP 18	CAP 17	CAP 16
			R/W							
			0	1	0	0	0	0	0	0
			Setting bit23-16 for cursor absolute position							

## LCD CONTROLLER (3/5)

Symbol	Name	Address	7	6	5	4	3	2	1	0
LSARAM	A-area Start Address Register-M	04C0H	SA15	SA14	SA13	SA12	SA11	SA10	SA9	SA8
			R/W							
			0	0	0	0	0	0	0	0
Setting start address A15 ~ A8 for the source data memory in A area										
LSARAH	A-area Start Address Register-H	04C1H	SA23	SA22	SA21	SA20	SA19	SA18	SA17	SA16
			R/W							
			0	1	0	0	0	0	0	0
Setting start address A23 ~ A16 for the source data memory in A area										
LEARAM	A-area End Address Register-M	04C2H	EA15	EA14	EA13	EA12	EA11	EA10	EA9	EA8
			R/W							
			0	0	0	0	0	0	0	0
Setting end address A15 ~ A8 for the source data memory in A area										
LEARAH	A-area End Address Register-H	04C3H	EA23	EA22	EA21	EA20	EA19	EA18	EA17	EA16
			R/W							
			0	1	0	0	0	0	0	0
Setting end address A23 ~ A16 for the source data memory in A area										
LSARBM	B-area Start Address Register-M	04C4H	SA15	SA14	SA13	SA12	SA11	SA10	SA9	SA8
			R/W							
			0	0	0	0	0	0	0	0
Setting start address A15 ~ A8 for the source data memory in B area										
LSARBH	B-area Start Address Register-H	04C5H	SA23	SA22	SA21	SA20	SA19	SA18	SA17	SA16
			R/W							
			0	1	0	0	0	0	0	0
Setting start address A23 ~ A16 for the source data memory in B area										
LEARBM	B-area End Address Register-M	04C6H	EA15	EA14	EA13	EA12	EA11	EA10	EA9	EA8
			R/W							
			0	0	0	0	0	0	0	0
Setting end address A15 ~ A8 for the source data memory in B area										
LEARBH	B-area End Address Register-H	04C7H	EA23	EA22	EA21	EA20	EA19	EA18	EA17	EA16
			R/W							
			0	1	0	0	0	0	0	0
Setting end address A23 ~ A16 for the source data memory in B area										
LSARCL	C-area Start Address Register-L	04C8H	SA7	SA6	SA5	SA4	SA3	SA2	SA1	SA0
			R/W							
			0	0	0	0	0	0	0	0
Setting start address A7 ~ A0 for the source data memory in C area										
LSARCM	C-area Start Address Register-M	04C9H	SA15	SA14	SA13	SA12	SA11	SA10	SA9	SA8
			R/W							
			0	0	0	0	0	0	0	0
Setting start address A15 ~ A8 for the source data memory in C area										
LSARCH	C-area Start Address Register-H	04CAH	SA23	SA22	SA21	SA20	SA19	SA18	SA17	SA16
			R/W							
			0	1	0	0	0	0	0	0
Setting start address A23 ~ A16 for the source data memory in C area										

## LCD CONTROLLER (4/5)

Symbol	Name	Address	7	6	5	4	3	2	1	0
LG0L	LCD Gray level data setting Register-L	04D0H	R/W							
			0	0	0	0	0	0	0	0
LG0H	LCD Gray level data setting Register-H	04D1H	R/W							
			0	0	0	0	0	0	0	0
LG1L	LCD Gray level data setting Register-L	04D2H	R/W							
			0	0	0	0	0	0	0	0
LG1H	LCD Gray level data setting Register-H	04D3H	R/W							
			1	0	0	0	0	0	0	0
LG2L	LCD Gray level data setting Register-L	04D4H	R/W							
			1	0	0	0	0	0	0	0
LG2H	LCD Gray level data setting Register-H	04D5H	R/W							
			1	0	0	0	0	0	0	0
LG3L	LCD Gray level data setting Register-L	04D6H	R/W							
			1	0	0	0	0	0	0	0
LG3H	LCD Gray level data setting Register-H	04D7H	R/W							
			1	0	0	0	1	0	0	0
LG4L	LCD Gray level data setting Register-L	04D8H	R/W							
			1	0	0	0	1	0	0	0
LG4H	LCD Gray level data setting Register-H	04D9H	R/W							
			1	0	0	0	1	0	0	0
LG5L	LCD Gray level data setting Register-L	04DAH	R/W							
			1	0	0	0	1	0	1	0
LG5H	LCD Gray level data setting Register-H	04DBH	R/W							
			1	0	0	0	1	0	0	0
LG6L	LCD Gray level data setting Register-L	04DCH	R/W							
			1	0	0	0	1	0	1	0
LG6H	LCD Gray level data setting Register-H	04DDH	R/W							
			1	0	0	0	1	0	1	0
LG7L	LCD Gray level data setting Register-L	04DEH	R/W							
			1	0	1	0	1	0	1	0
LG7H	LCD Gray level data setting Register-H	04DFH	R/W							
			1	0	0	0	1	0	1	0

## LCD CONTROLLER (5/5)

Symbol	Name	Address	7	6	5	4	3	2	1	0
LG8L	LCD Gray level data setting Register-L	04E0H	R/W							
			1	0	1	0	1	0	1	0
LG8H	LCD Gray level data setting Register-H	04E1H	R/W							
			1	0	1	0	1	0	1	0
LG9L	LCD Gray level data setting Register-L	04E2H	R/W							
			0	1	0	1	0	1	0	1
LG9H	LCD Gray level data setting Register-H	04E3H	R/W							
			1	1	0	1	0	1	0	1
LGAL	LCD Gray level data setting Register-L	04E4H	R/W							
			1	1	0	1	0	1	0	1
LGAH	LCD Gray level data setting Register-H	04E5H	R/W							
			1	1	0	1	0	1	0	1
LGBL	LCD Gray level data setting Register-L	04E6H	R/W							
			1	1	0	1	0	1	0	1
LGBH	LCD Gray level data setting Register-H	04E7H	R/W							
			1	1	0	1	1	1	0	1
LGCL	LCD Gray level data setting Register-L	04E8H	R/W							
			1	1	0	1	1	1	0	1
LGCH	LCD Gray level data setting Register-H	04E9H	R/W							
			1	1	0	1	1	1	0	1
LGDH	LCD Gray level data setting Register-L	04EAH	R/W							
			1	1	0	1	1	1	0	1
LGDH	LCD Gray level data setting Register-H	04EBH	R/W							
			1	1	1	1	1	1	0	1
LGEL	LCD Gray level data setting Register-L	04ECH	R/W							
			1	1	0	1	1	1	0	1
LGEH	LCD Gray level data setting Register-H	04EDH	R/W							
			1	1	0	1	1	1	0	1
LGFL	LCD Gray level data setting Register-L	04EEH	R/W							
			1	1	1	1	1	1	1	1
LGFH	LCD Gray level data setting Register-H	04EFH	R/W							
			1	1	1	1	1	1	1	1

(16) SDRAM CONTROLLER

Symbol	Name	Address	7	6	5	4	3	2	1	0
SDACR	SDRAM Address Control	04F0H	SDINI	SWRC			SMUXE	SMUXW1	SMUXW0	SMAC
			R/W	R/W			R/W			
			0	0	-	-	0	0	0	0
			Auto initialize 0:Disable 1:Enable	Write Recovery 0: 1 clock 1: 2 clock	Always fixed to "10"		Address Mux 0:Disable 1:Enable	SDRAM Select 00:16M 10:128M 01:64M 11:Reseve		Access Cycle 0:Disable 1:Enable
SDRCR	SDRAM Refresh Control	04F1H	SFRC	SRS2	SRS1	SRS0	SASFRC			SRC
			R/W							R/W
			0	0	0	0	0	0		
			Self Refresh 0:Disable 1:Enable	Refresh interval 000: 78state 100:195state 001: 97state 101:210state 010:124state 110:249state 011:156state 111:312state		Auto Self Refresh 0:disable 1:enable	Interval Refresh 0:Disable 1:Enable			

(17) 16-Bit Timer

Symbol	Name	Address	7	6	5	4	3	2	1	0	
TBORUN	Timer Control	180H	TBORDE	—			I2TB0	TBOPRUN		TBORUN	
			R/W	R/W			R/W	R/W		R/W	
			0	0			0	0		0	
			Double Buffer 0: Disable 1: Enable	Always write 0.			IDLE2 0: Stop 1: Operate	16 Bit Timer Run/Stop control 0: Stop&Clear 1: Run (count up)			
TB0-MOD	16-Bit Timer Source CLK & MODE	182H	TBOCT1	TB0ET1	TBOCPOI	TBOCPM1	TBOCPM0	TBOCLE	TB0CLK1	TB0CLK0	
			R/W		W*	R/W					
			0	0	1	0	0	0	0	0	0
			TBOFF1 INV TRG 0: TRG Disable 1: TRG Enable		0: Soft capture 1: Don't care	Capture Timing (TB0IN0, TB0IN1) 00: disable 01: ↑, ↑ 10: ↑, ↓ 11: ↑, ↓ (TA1OUT)		1: UCO Clear Enable	Source Clock 00: TB0IN0 pin 01: φT1 10: φT4 11: φT16		
TBOFFCR	16-Bit Timer Flip-Flop Control	183H	TBOFF1C1	TBOFF1C0	TBOC1T1	TBOC0T1	TB0E1T1	TB0E0T1	TBOFFOC1	TBOFFOC0	
			W*		R/W				W*		
			1	1	0	0	0	0	0	0	
			00: Invert TBOFF1 01: Set 10: Clear 11: Don't care		TBOFF0 Invert Trigger 0: trigger Disable 1: trigger Enable				00: Invert TBOFF0 01: Set 10: Clear 11: Don't care		
TBORG0L	16-Bit Timer Register 0L	188H (Prohibit RMW)	—								
			W								
			Undefined								
TBORG0H	16-Bit Timer Register 0H	189H (Prohibit RMW)	—								
			W								
			Undefined								
TBORG1L	16-Bit Timer Register 1L	18AH (Prohibit RMW)	—								
			W								
			Undefined								
TBORG1H	16-Bit Timer Register 1H	18BH (Prohibit RMW)	—								
			W								
			Undefined								
TB0CP0L	Capture Register 0L	18CH	—								
			R								
			Undefined								
TB0CP0H	Capture Register 0H	18DH	—								
			R								
			Undefined								
TB0CP1L	Capture Register 1L	18EH	—								
			R								
			Undefined								
TB0CP1H	Capture Register 1H	18FH	—								
			R								
			Undefined								

## 6. Points to Note and Restrictions

### (1) Notation

The notation for built-in / I/O registers is as follows register symbol <bit symbol>

e.g.) TA01RUN <TA0RUN> denotes bit TA0RUN of register TA01RUN.

Read-modify-write instructions

An instruction in which the CPU reads data from memory and writes the data to the same memory location in one instruction.

Example 1) SET 3, (TA01RUN) ... Set bit 3 of TA01RUN.

Example 2) INC 1, (100H) ... Increment the data at 100H.

- Examples of read-modify-write instructions on the TLCS-900

Exchange instruction

EX (mem), R

Arithmetic operations

ADD (mem), R/#      ADC (mem), R/#

SUB (mem), R/#      SBC (mem), R/#

INC #3, (mem)      DEC #3, (mem)

Logic operations

AND (mem), R/#      OR (mem), R/#

XOR (mem), R/#

Bit manipulation operations

STCF #3/A, (mem)      RES #3, (mem)

SET #3, (mem)      CHG #3, (mem)

TSET #3, (mem)

Rotate and shift operations

RLC (mem)      RRC (mem)

RL (mem)      RR (mem)

SLA (mem)      SRA (mem)

SLL (mem)      SRL (mem)

RLD (mem)      RRD (mem)

$f_c$ ,  $f_s$ ,  $f_{FPH}$ ,  $f_{SYS}$  and one state

The clock frequency input on ins XI and 2 is called  $f_{SCH}$ . The clock selected by DFMCRO <ACT1-ACT0> is called  $f_c$ .

The clock selected by SYSCR1 <SYSCK> is called  $f_{FPH}$ . The clock frequency give by  $f_{FPH}$  divided by 2 is called  $f_{SYS}$ .

One cycle of  $f_{SYS}$  is referred to as one state.



## (2) Points to note

## a) AM0 and AM1 pins

This pin is connected to the VCC or the VSS pin. Do not alter the level when the pin is active.

## b) EMU0 and EMU1

Open pins.

## c) Reserved address areas

The TMP91C820A does not have any reserved areas.

## d) Warm-up counter

The warm-up counter operates when STOP Mode is released, even if the system is using an external oscillator. As a result a time equivalent to the warm-up time elapses between input of the release request and output of the system clock.

## e) Programmable pull-up resistance

The programmable pull-up resistor can be turned ON/OFF by a program when the ports are set for use as input ports. When the ports are set for use as output ports, they cannot be turned ON/OFF by a program.

The data registers (e.g. P5) are used to turn the pull-up/-down resistors ON/OFF. Consequently read-Modify-write instructions are prohibited.

## f) Watchdog timer

The watchdog timer starts operation immediately after a Reset is released. When the watchdog timer is not to be used, disable it.

## g) AD converter

The string resistor between the VREFH and VREFL pins can be cut by a program so as to reduce power consumption. When STOP Mode is used, disable the resistor using the program before the HALT instruction is executed.

## h) CPU (micro DMA)

Only the LDC cr, r and LDC r, cr instructions can be used to access the control registers in the CPU (e.g. the Transfer Source Address Register (DMASn)).

## i) Undefined SFR

The value of an undefined bit in an SFR is undefined when read.

## j) POP SR instruction

Please execute the POP SR instruction during DI condition.

7. PACKAGE

Package Name : P-LQFP144-1616-0.40

