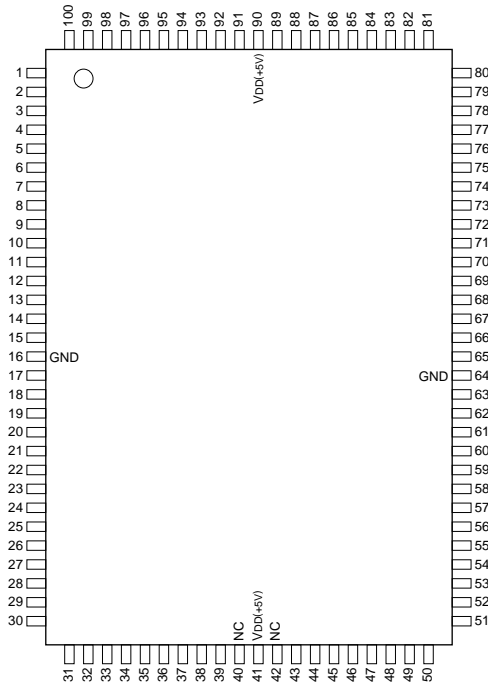
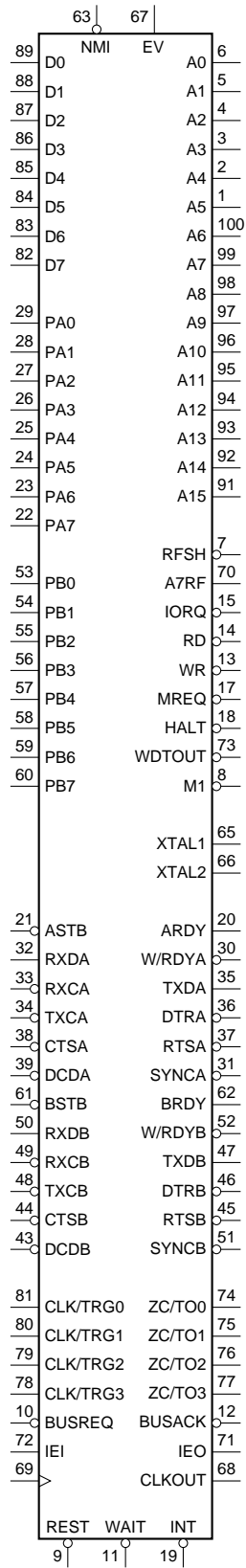

C-MOS 8-BIT MICROPROCESSOR
-TOP VIEW-

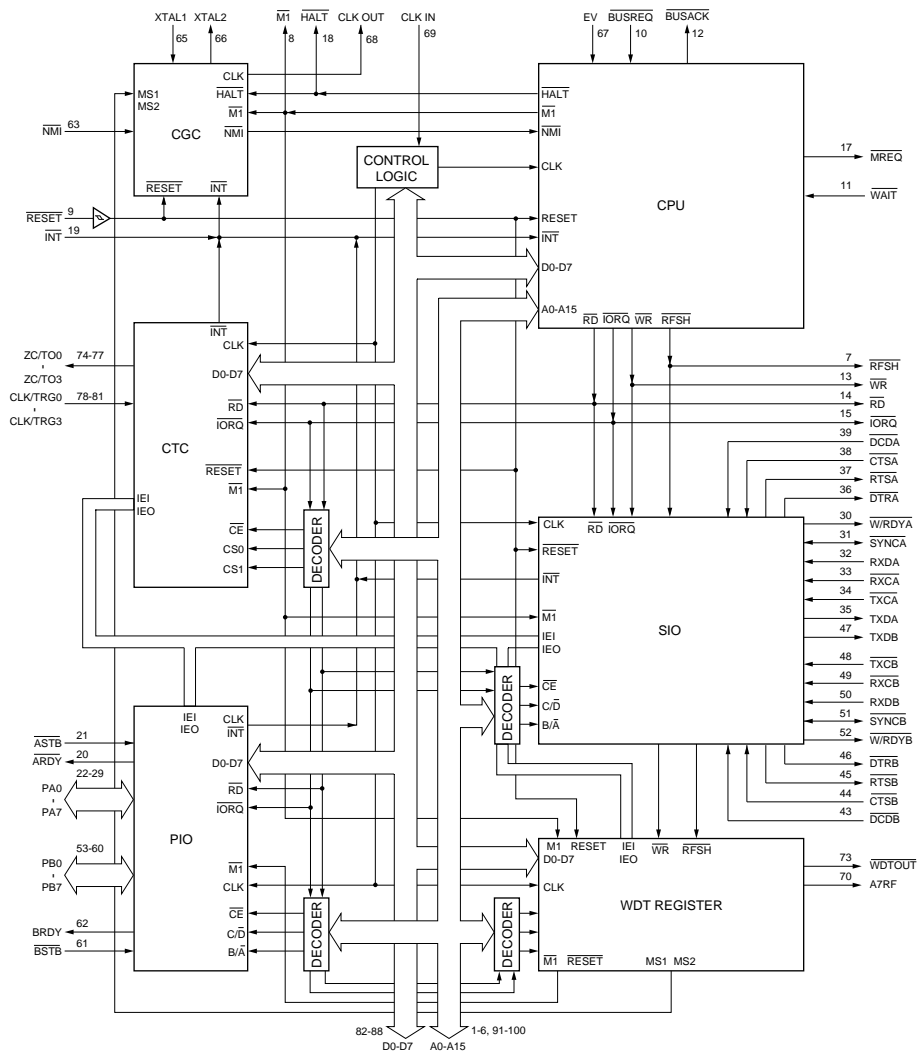


(VDD = +5V)

NO.	I/O	SIGNAL	NO.	I/O	SIGNAL	NO.	I/O	SIGNAL	NO.	I/O	SIGNAL
1	O	A5	26	I/O	PA3	51	I/O	SYNCB	76	O	ZC/TO2
2	O	A4	27	I/O	PA2	52	O	W/RDYB	77	O	ZC/TO3
3	O	A3	28	I/O	PA1	53	I/O	PB0	78	I	CLK/TRG3
4	O	A2	29	I/O	PA0	54	I/O	PB1	79	I	CLK/TRG2
5	O	A1	30	O	W/RDYA	55	I/O	PB2	80	I	CLK/TRG1
6	O	A0	31	I/O	SYNCA	56	I/O	PB3	81	I	CLK/TRG0
7	O	RFSH	32	I	RXDA	57	I/O	PB4	82	I/O	D7
8	O	M1	33	I	RXCA	58	I/O	PB5	83	I/O	D6
9	I	REST	34	I	TXCA	59	I/O	PB6	84	I/O	D5
10	I	BUSREQ	35	O	TXDA	60	I/O	PB7	85	I/O	D4
11	I	WAIT	36	O	DTRA	61	I	BSTB	86	I/O	D3
12	O	BUSACK	37	O	RTSA	62	O	BRDY	87	I/O	D2
13	O	WR	38	I	CTSA	63	I	NMI	88	I/O	D1
14	O	RD	39	I	DCDA	64	—	GND	89	I/O	D0
15	O	IORQ	40	—	NC	65	I	XTAL1	90	—	VDD
16	—	GND	41	—	VDD	66	O	XTAL2	91	O	A15
17	O	MREQ	42	—	NC	67	I	EV	92	O	A14
18	O	HALT	43	I	DCDB	68	O	CLKOUT	93	O	A13
19	I	INT	44	I	CTSB	69	I	CLKIN	94	O	A12
20	O	ARDY	45	O	RTSB	70	O	A7RF	95	O	A11
21	I	ASTB	46	O	DTRB	71	O	IEO	96	O	A10
22	I/O	PA7	47	O	TXDB	72	I	IEI	97	O	A9
23	I/O	PA6	48	I	TXCB	73	O	WDTOUT	98	O	A8
24	I/O	PA5	49	I	RXCB	74	O	ZC/TO0	99	O	A7
25	I/O	PA4	50	I	RXDB	75	O	ZC/TO1	100	O	A6

TMPZ84C015AF (2/3)





A0 - A15	: 3-STATE ADDRESS BUS OUTPUTS	WR	: 3-STATE WRITE OUTPUT
BUSACK	: BUS ACKNOWLEDGE OUTPUT	ZC/TO0-3	: ZERO COUNT/TIME OUT 0-3 OUTPUT
BUSREQ	: BUS REQUEST INPUT	ASTB	: PORT A STROBE PULSE INPUT
CLK/TRIG0 - 3	: EXTERNAL CLOCK/TIMER TRIGGER 0-3 INPUTS	ARDY	: REGISTER A READY OUTPUT
D0 - D7	: 3-STATE DATA BUS INPUTS/OUTPUTS	BSTB	: PORT B STROBE PULSE INPUT
EV	: EVALUATOR INPUT	BRDY	: REGISTER B READY OUTPUT
HALT	: HALT OUTPUT	SYNCA, SYNCB	: SYNC INPUT/OUTPUT
IEI/IEO	: CTC INTERRUPT ENABLE INPUT/OUTPUT	W/RDYA, W/RDYB	: WAIT/READY OUTPUT
INT	: MASKABLE INTERRUPT REQUEST/INPUT	RXDA, RXDB	: SERIAL DATA INPUT
IORQ	: 3-STATE I/O REQUEST OUTPUT	RXCA, RXCB	: RECEIVE CLOCK INPUT
M1	: 3-STATE MACHINE CYCLE 1 OUTPUT	TXCA, TXCB	: TRANSMISSION CLOCK INPUT
MREQ	: 3-STATE MEMORY REQUEST OUTPUT	TXDA, TXDB	: SERIAL DATA OUTPUT
NMI	: NON-MASKABLE INTERRUPT REQUEST INPUT	DTRA, DTRB	: DATA TERMINAL READY OUTPUT
PA0 - PA7, PB0 - PB7	: 3-STATE I/O PORT	RTSA, RTSB	: TRANSMISSION REQUEST OUTPUT
RD	: 3-STATE READ OUTPUT	CTSA, CTSB	: TRANSMISSION ENABLE INPUT
RESET	: RESET INPUT	DCDA, DCDB	: DATA CARRIER DETECT OUTPUT
RFSH	: REFRESH OUTPUT	WDTOUT	: WATCH DOG TIMER OUTPUT
WAIT	: WAIT REQUEST INPUT		