

# K-Band Motion Sensor

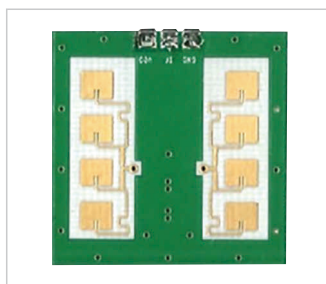
## Features

TMS240 is a small sized K-band Doppler motion sensor to detect motion. It consists of low current P-HEMT oscillator and separated Tx/Rx patch antennas and provides most reliable solution in motion detection.

## Applications

- Intrusion alarm
- Automatic door
- Obstruction alarm system
- Velocity measurement
- Automatic light control-energy saving
- System air-conditioner-zone control

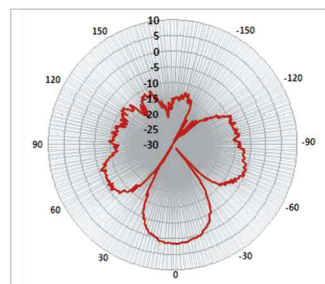
### Picture



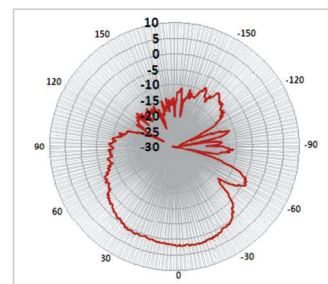
H-axis ◀

E-axis  
 ▼

### Antenna beam pattern



E-axis



H-axis

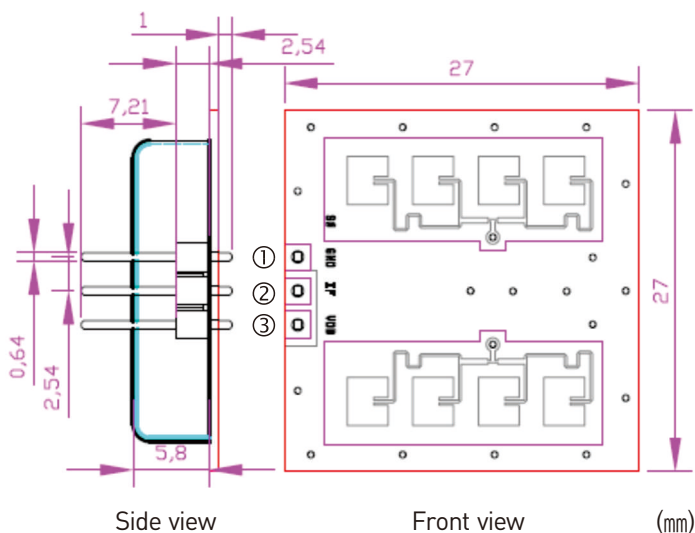
## Electrical Specifications

Parameters	Min.	Typ.	Max.	Unit	Condition
Frequency		24,125 ± 50		MHz	Over Temp.
Output Power (EIRP)			15	dBm	
Power Supply	4.75	5	5.25	V	
Current Consumption		30	40	mA	CW
Frequency Stability		±10		MHz	
IF Output	0		300	mV	
3dB Antenna Beam Width - H-axis		80		°	
3dB Antenna Beam Width - E-axis		32		°	
Operating temp.	-20		+60	°C	
Size		27 x 27 x 7		mm <sup>3</sup>	

Warning : The specifications can be changed without any notice.

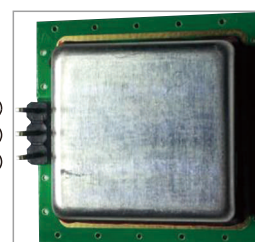
# K-Band Motion Sensor

## Dimension

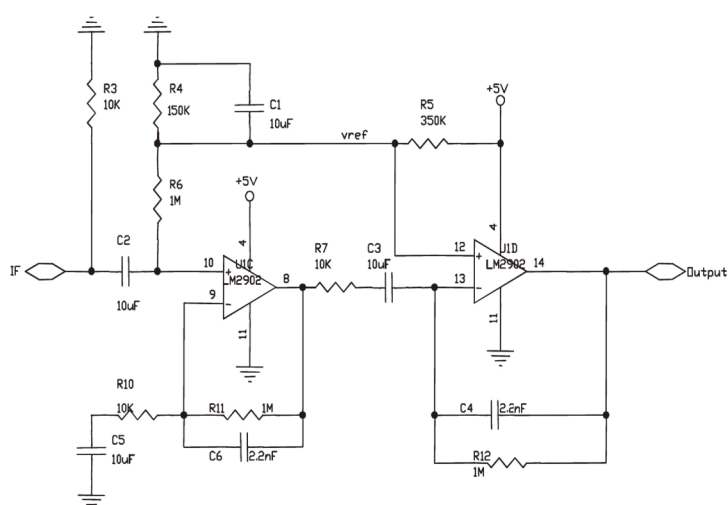


## Pin Description

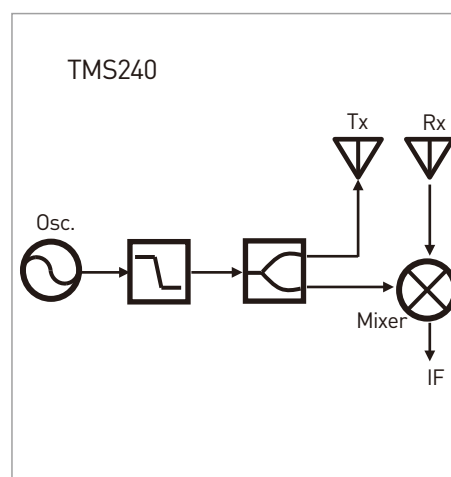
#	Pin Name	Explanation
1	GND	Ground
2	IF	Output
3	VDD	Power, +5V



## Application Circuit Example



## Block Diagram



Warning : To avoid a fatal damage, it should be carefully handled and installed under ESD protection condition.