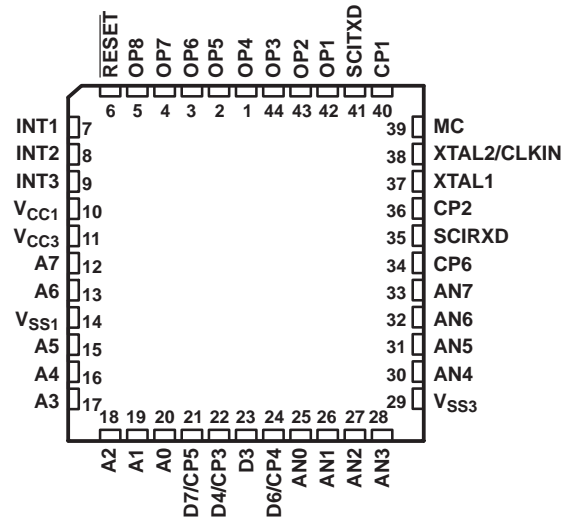


- **CMOS/EEPROM/EPROM Technologies on a Single Device**
 - Mask-ROM Devices for High-Volume Production
 - One-Time-Programmable (OTP) EPROM Devices for Low-Volume Production
 - Reprogrammable-EPROM Devices for Prototyping Purposes
- **Internal System Memory Configurations**
 - On-Chip Program Memory Versions
 - ROM: 8K Bytes
 - EPROM: 8K Bytes
 - Data EEPROM: 256 Bytes
 - Static RAM: 256 Bytes Usable as Registers
- **Flexible Operating Features**
 - Low-Power Modes: STANDBY and HALT
 - Commercial, Industrial, and Automotive Temperature Ranges
 - Clock Options
 - Divide-by-1 (2 MHz–5 MHz SYSCLK) Phase-Locked Loop (PLL)
 - Divide-by-4 (0.5 MHz–5 MHz SYSCLK)
 - Supply Voltage (V_{CC}) 5 V \pm 10%
- **Programmable Acquisition and Control Timer (PACT) Module**
 - Input Capture on up to Six Pins, Four of Which Can Have a Programmable Prescaler
 - One Input Capture Pin Can Drive an 8-Bit Event Counter
 - Up to Eight Timer-Driven Outputs
 - Interaction Between Event Counter and Timer Activity
 - 18 Independent Interrupt Vectors
 - Watchdog With Selectable Time-Out Period
 - Asynchronous Mini Serial Communication Interface (Mini SCI)
- **Flexible Interrupt Handling**
 - Two Software-Programmable Interrupt Levels
 - Global- and Individual-Interrupt Masking
 - Programmable Rising- or Falling-Edge Detect
 - Individual-Interrupt Vectors

FZ AND FN PACKAGES
(TOP VIEW)



- **Eight-Channel 8-Bit Analog-to-Digital Converter 1 (ADC1)**
- **TMS370 Series Compatibility**
 - Register-to-Register Architecture
 - 256 General-Purpose Registers
 - 14 Powerful Addressing Modes
 - Instructions Upwardly Compatible With All TMS370 Devices
- **CMOS/TTL Compatible I/O Pins/Packages**
 - All Peripheral Function Pins Software Configurable for Digital I/O
 - 14 Bidirectional Pins, Nine Input Pins
 - 44-Pin Plastic and Ceramic Leaded Chip Carrier (LCC) Packages
- **Workstation/PC-Based Development System**
 - C Compiler and C Source Debugger
 - Real-Time In-Circuit Emulation
 - Multi-Window User Interface
 - Microcontroller Programmer
 - Extensive breakpoint/Trace Capability



Please be aware that an important notice concerning availability, standard warranty, and use in critical applications of Texas Instruments semiconductor products and disclaimers thereto appears at the end of this data sheet.

PRODUCTION DATA information is current as of publication date. Products conform to specifications per the terms of Texas Instruments standard warranty. Production processing does not necessarily include testing of all parameters.



TMS370Cx32

8-BIT MICROCONTROLLER

SPNS015C – FEBRUARY 1990 – REVISED FEBRUARY 1997

Pin Descriptions

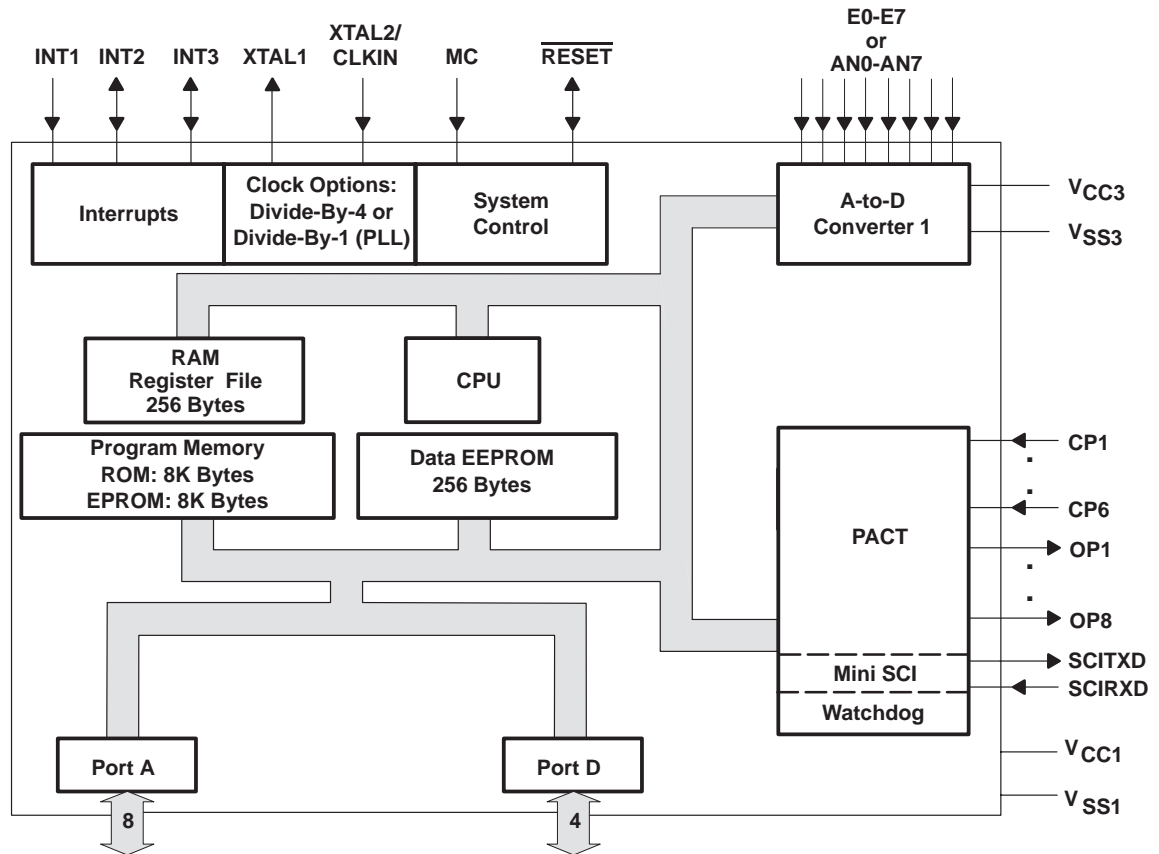
44 PINS		I/O†	DESCRIPTION
NAME	NO.		
A0 A1 A2 A3 A4 A5 A6 A7	20 19 18 17 16 15 13 12	I/O	Port A is a general-purpose bidirectional I/O port.
D3 D4/CP3 D6/CP4 D7/CP5	23 22 24 21	I/O	Port D is a general-purpose bidirectional port. Also configurable as SYSCLK (see Note 1) PACT input capture 3 (see Note 2) PACT input capture 4 (see Note 2) PACT input capture 5 (see Note 2)
CP1 CP2 CP6	40 36 34	I	PACT Input capture pin 1 PACT Input capture pin 2 PACT Input capture pin 3
AN0/E0 AN1/E1 AN2/E2 AN3/E3 AN4/E4 AN5/E5 AN6/E6 AN7/E7	25 26 27 28 30 31 32 33	I	ADC1 analog input pins (AN0–AN7)/port E digital input pins (E0–E7) Port E can be programmed individually as a general-purpose digital input pin if it is not used as ADC1 analog input or positive reference input.
INT1 INT2 INT3	7 8 9	I I/O I/O	External interrupt (non-maskable or maskable)/general-purpose input pin External maskable interrupt input/general purpose bidirectional pin External maskable interrupt input/general purpose bidirectional pin
OP1 OP2 OP3 OP4 OP5 OP6 OP7 OP8	42 43 44 1 2 3 4 5	O	PACT output pin 1 PACT output pin 2 PACT output pin 3 PACT output pin 4 PACT output pin 5 PACT output pin 6 PACT output pin 7 PACT output pin 8
SCIRXD SCITXD	35 41	I O	PACT mini SCI data receive input pin PACT mini SCI data transmit output pin
RESET	6	I/O	System reset bidirectional pin; as input pin, <u>RESET</u> initializes the microcontroller; as open-drain output, <u>RESET</u> indicates that an internal failure was detected by watchdog or oscillator fault circuit.
MC	39	I	Mode control input pin; enables EEPROM write protection override (WPO) mode, also EPROM V_{PP}
XTAL2/CLKIN XTAL1	38 37	I O	Internal oscillator crystal input/External clock source input Internal oscillator output for crystal
VCC1 VSS1 VCC3 VSS3	10 14 11 29		Positive supply voltage for digital logic and digital I/O pins Ground reference for digital logic and digital I/O pins ADC1 positive supply voltage and optional positive reference input ADC1 ground supply and low reference input pin

† I = input, O = output

- NOTES:
1. D3 can be configured as SYSCLK by appropriately programming the DPORT1 and DPORT2 registers.
 2. These digital I/O buffers are connected internally to some of the PACT module's input capture pins. This allows the microcontroller to read the level on the input capture pin, or if the port D pin is configured as an output, to generate a capture. Be careful to leave the port D pin configured as an input if the corresponding input capture pin is being driven by external circuitry.



functional block diagram



description

The TMS370C032A, TMS370C332A, TMS370C732A, and SE370C732A devices are members of the TMS370 family of single-chip 8-bit microcontrollers. Unless otherwise noted, the term TMS370Cx32 refers to these devices. The TMS370 family provides cost-effective real-time system control through integration of advanced peripheral-function modules and various on-chip memory configurations.

The TMS370Cx32 family of devices is implemented using high-performance silicon-gate CMOS EPROM and EEPROM technologies. Low-operating power, wide-operating temperature range, and noise immunity of CMOS technology coupled with the high performance and extensive on-chip peripheral functions make the TMS370Cx32 devices attractive for system designs for automotive electronics, industrial motors, computer peripheral controls, telecommunications, and consumer applications.

All TMS370Cx32 devices contain the following on-chip peripheral modules:

- Programmable acquisition and control timer (PACT)
 - Asynchronous mini SCI
 - PACT watchdog timer
- Eight channel, 8-bit analog-to-digital converter 1 (ADC1)

TMS370Cx32 8-BIT MICROCONTROLLER

SPNS015C – FEBRUARY 1990 – REVISED FEBRUARY 1997

description (continued)

Table 1 provides a memory configuration overview of the TMS370Cx32 devices.

Table 1. Memory Configurations

DEVICE	PROGRAM MEMORY (BYTES)		DATA MEMORY (BYTES)		44 PIN PACKAGES
	ROM	EPROM	RAM	EEPROM	
TMS370C032A	8K	—	256	256	FN – PLCC
TMS370C332A	8k	—	256	—	FN – PLCC
TMS370C732A	—	8K	256	256	FN – PLCC
SE370C732A†	—	8K	256	256	FZ – CLCC

† System evaluators and development are for use only in prototype environment, and their reliability has not been characterized.

The suffix letter (A) appended to the device names shown in the device column of Table 1 indicates the configuration of the device. ROM or EPROM devices have different configurations as indicated in Table 2. ROM devices with the suffix letter A are configured through a programmable contact during manufacture.

Table 2. Suffix Letter Configuration

DEVICE‡	CLOCK	LOW-POWER MODE
EPROM A	Divide-by-4 (Standard oscillator)	Enabled
ROM A	Divide-by-4 or Divide-by-1 (PLL)	Enabled or disabled

‡ Refer to the “device numbering conventions” section for device nomenclature and to the “device part numbers” section for ordering.

The 8K bytes of mask-programmable ROM in the associated TMS370Cx32 devices are replaced in the TMS370C732A with 8K bytes of EPROM. All other available memory and on-chip peripherals are identical except for the TMS370C332A which does not have EEPROM memory. The OTP (TMS370C732A) and reprogrammable (SE370C732A) devices are available.

The TMS370C732A OTP device is available in a plastic package. This microcontroller is effective to use for immediate production updates for other members of the TMS370Cx32 family or for low-volume production runs when the mask charge or cycle time for the low-cost mask ROM devices is not practical.

The SE370C732A has a windowed ceramic package to allow reprogramming of the program EPROM memory during the development/prototyping phase of design. The SE370C732A device allows quick updates to breadboards and prototype systems while iterating initial designs.

The TMS370Cx32 family provides two low-power modes (STANDBY and HALT) for applications where low-power consumption is critical. Both modes stop all CPU activity (that is, no instructions are executed). In the STANDBY mode, the internal oscillator, the PACT counter, and PACT’s first command/definition entry remain active. This allows the PACT module to bring the device out of STANDBY mode. In the HALT mode, all device activity is stopped. The device retains all RAM data and peripheral configuration bits throughout both low-power modes.

The TMS370Cx32 features advanced register-to-register architecture that allows direct arithmetic and logical operations without requiring an accumulator (for example, ADD R24, R47; add the contents of register 24 to the contents of register 47 and store the result in register 47). The TMS370Cx32 family is fully instruction-set-compatible, providing easy transition between members of the TMS370 8-bit microcontroller family.

The TMS370Cx32 has a PACT module that acts as a timer coprocessor by gathering timing information on input signals and controlling output signals with little or no intervention by the CPU. The coprocessor nature of this module allows for levels of flexibility and power not found in traditional microcontroller timers.



description (continued)

The TMS370Cx32 family provides the system designer with an economical, efficient solution to real-time control applications. The PACT compact development tool (CDT™) solves the challenge of efficiently developing the software and hardware required to design the TMS370Cx32 into an ever-increasing number of complex applications. The application source code can be written in assembly and C language, and the output code can be generated by the linker. Precise real-time, in-circuit emulation and extensive symbolic debug and analysis tools ensure efficient software and hardware implementation as well as a reduced time-to-market cycle.

The TMS370Cx32 family together with the TMS370 PACT CDT370, BP programmer, starter kit, software tools, the SE370C732A reprogrammable devices, comprehensive product documentation, and customer support provide a complete solution to the needs of the system designer.

central processing unit (CPU)

The CPU on the TMS370Cx32 device is the high-performance 8-bit TMS370 CPU module. The 'x32 implements an efficient register-to-register architecture that eliminates the conventional accumulator bottleneck. The complete 'x32 instruction map is shown in Table 15.

The '370Cx32 CPU architecture provides the following components:

CPU registers:

- A stack pointer (SP) that points to the last entry in the memory stack
- A status register (ST) that monitors the operation of the instructions and contains the global interrupt-enable bits
- A program counter (PC) that points to the memory location of the next instruction to be executed

A memory map that includes:

- 256-byte general-purpose RAM that can be used for data memory storage, program instructions, general purpose register, dual-port RAM, or the stack
- The upper 128-bytes of the register file is called dual-port RAM that contains the capture registers, the circular buffer, and a command/definition area.
- A peripheral file that provides access to all internal peripheral modules, system-wide control functions, and EEPROM/EPROM programming control
- 256-byte EEPROM module that provides in-circuit programmability and data retention in power-off conditions
- 8K-byte ROM or 8K-byte EPROM

CDT is a trademark of Texas Instruments Incorporated.

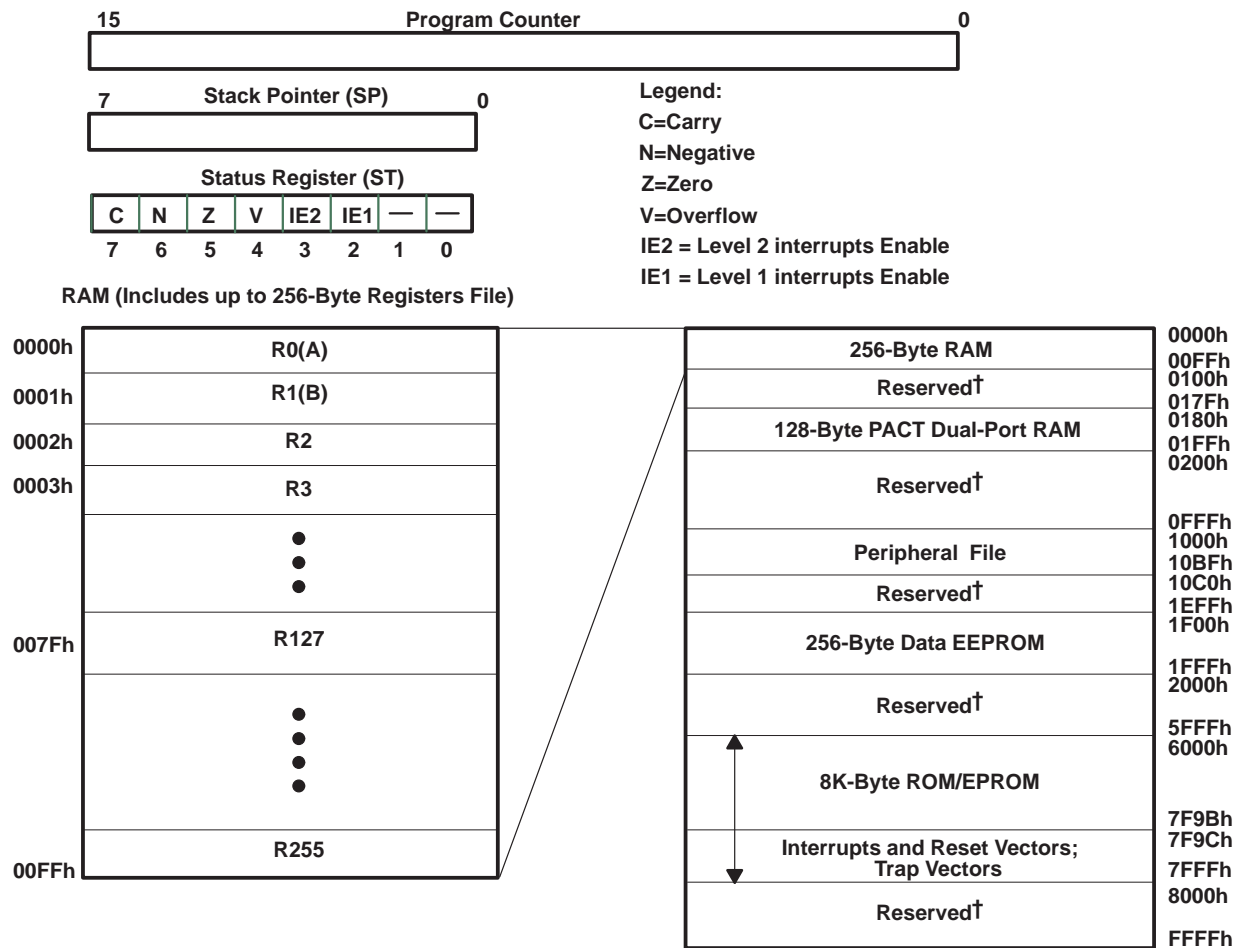


TMS370Cx32 8-BIT MICROCONTROLLER

SPNS015C – FEBRUARY 1990 – REVISED FEBRUARY 1997

central processing unit (CPU) (continued)

Figure 1 Illustrates the CPU registers and memory blocks.



† Reserved means the address space is reserved for future expansion.

Figure 1. Programmer's Model

stack pointer (SP)

The SP is an 8-bit CPU register. Stack operates as a last-in, first-out, read/write memory. Typically, the stack is used to store the return address on subroutine calls as well as the ST contents during interrupt sequences.

The SP points to the last entry or top of the stack. The SP is incremented automatically before data is pushed onto the stack and decremented after data is popped from the stack. The stack can be placed anywhere in the on-chip RAM.

status register (ST)

The ST monitors the operation of the instructions and contains the global interrupt-enable bits. The ST includes four status bits (condition flags) and two interrupt-enable bits.

- The four status bits indicate the outcome of the previous instruction; conditional instructions (for example, the conditional-jump instructions) use the status bits to determine program flow.
- The two interrupt-enable bits control the two interrupt levels.

central processing unit (CPU) (continued)

The ST, status-bit notation, and status-bit definitions are shown in Table 3.

Table 3. Status Registers

7	6	5	4	3	2	1	0
C	N	Z	V	IE2	IE1	Reserved	Reserved
RW-0	RW-0	RW-0	RW-0	RW-0	RW-0		

R = read, W = write, 0 = value after reset

program counter (PC)

The contents of the PC point to the memory location of the next instruction to be executed. The PC consists of two 8-bit registers in the CPU: the program counter high (PCH) and program counter low (PCL). These registers contain the most significant byte (MSbyte) and least significant byte (LSbyte) of a 16-bit address.

During reset, the contents of the reset vector (7FFEh, 7FFFh) are loaded into the PC. The PCH (MSbyte of the PC) is loaded with the contents of memory location 7FFEh, and the PCL (LSbyte of the PC) is loaded with the contents of memory location 7FFFh. Figure 2 shows this operation using an example value of 6000h as the contents of the reset vector.

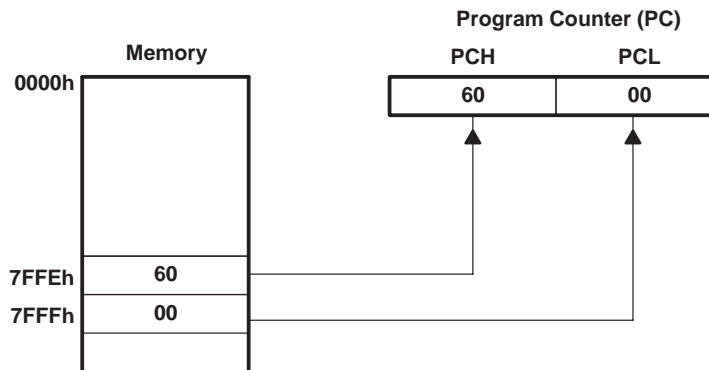


Figure 2. Program Counter After Reset

memory map

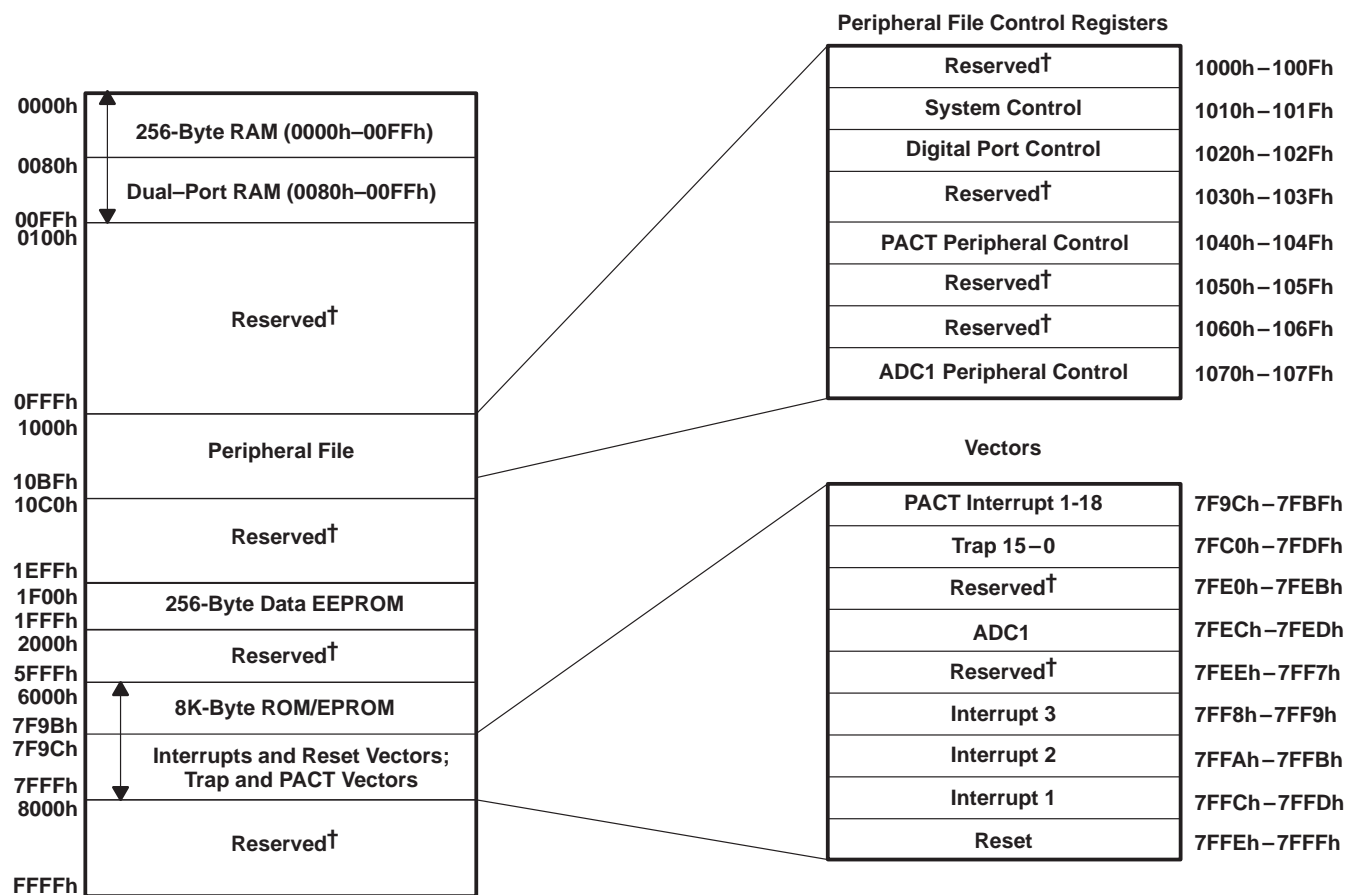
The TMS370Cx32 architecture is based on the Von Neuman architecture, where the program memory and data memory share a common address space. All peripheral input/output is memory mapped in this same common address space. As shown in Figure 3, the TMS370Cx32 provides memory-mapped RAM, ROM, EPROM, data EEPROM, I/O pins, peripheral functions, and system-interrupt vectors.

The peripheral file contains all I/O port control, peripheral status and control, EEPROM, EPROM, and system-wide control functions. The peripheral file is located between 1000h to 107Fh and is divided logically into eight peripheral file frames of 16 bytes each. The eight PF frames consist of five control frames and three reserved frames. Each on-chip peripheral is assigned to a separate frame through which peripheral control and data information is passed.

TMS370Cx32 8-BIT MICROCONTROLLER

SPNS015C – FEBRUARY 1990 – REVISED FEBRUARY 1997

central processing unit (CPU) (continued)



† Reserved means that the address space is reserved for future expansion.

Figure 3. TMS370Cx32 Memory Map

RAM/register file (RF)

Locations within the RAM address space can serve as the RF, general-purpose read/write memory, program memory, or the stack instructions. The TMS370Cx32 devices contain 256 bytes of internal RAM, memory-mapped beginning at location 0000h (R0) and continuing through location 00FFh (R255) which is shown in Figure 1.

The first two registers, R0 and R1, are also called register A and B, respectively. Some instructions implicitly use register A or B; for example, the instruction LDSP (load SP) assumes that the value to be loaded into the stack pointer is contained in register B. Registers A and B are the only registers cleared on reset.

dual-port RAM

The upper 128 bytes of the register files (0080h – 00FFh) can be used by the PACT module to contain commands and definitions as well as timer values. Any RAM not used by PACT can be used as additional CPU register or as general-purpose memory.

peripheral file (PF)

The TMS370Cx32 control registers contain all the registers necessary to operate the system and peripheral modules on the device. The instruction set includes some instructions that access the PF directly. These instructions designate the register by the number of the PF relative to 1000h, preceded by P0 for a hexadecimal designator or P for a decimal designator. For example, the system-control register 0 (SCCR0) is located at address 1010h; its peripheral file hexadecimal designator is P010, and its decimal designator is P16. Table 4 shows the TMS370Cx32 PF address map.

Table 4. TMS370Cx32 Peripheral File Address Map

ADDRESS RANGE	PERIPHERAL FILE DESIGNATOR	DESCRIPTION
1000h–100Fh	P000–P00F	Reserved
1010h–101Fh	P010–P01F	System and EPROM/EEPROM control registers
1020h–102Fh	P020–P02F	Digital I/O port control registers
1030h–103Fh	P030–P03F	Reserved
1040h–104Fh	P040–P04F	PACT registers
1050h–106Fh	P050–P06F	Reserved
1070h–107Fh	P070–P07F	Analog-to-digital converter 1 registers
1080h–10FFh	P080–P0FF	Reserved

data EEPROM

The TMS370Cx32 devices, containing 256 bytes of data EEPROM, have a memory that is mapped beginning at location 1F00h and continuing through location 1FFFh. Writing to the data EEPROM module is controlled by the data EEPROM control register (DEECTL) and the write-protection register (WPR). Programming algorithm examples are available in the *TMS370 Family User's Guide* (literature number SPNU127) or the *TMS370 Family Data Manual* (literature number SPNS014B). The data EEPROM features include the following:

- Programming:
 - Bit-, byte-, and block-write/erase modes
 - Internal charge pump circuitry. No external EEPROM programming voltage supply is needed.
 - Control register: Data EEPROM programming is controlled by the DEECTL located in the PF frame beginning at location P01A. See Table 5.
 - In-circuit programming capability. There is no need to remove the device to program it.
- Write protection. Writes to the data EEPROM are disabled during the following conditions.
 - Reset. All programming of the data EEPROM module is halted.
 - Write protection active. There is one write-protect bit per 32-byte EEPROM block.
 - Low-power mode operation
- Write protection can be overridden by applying 12 V to MC.

Table 5. Data EEPROM and PROGRAM EPROM Control Registers Memory Map

ADDRESS	SYMBOL	NAME
P01A	DEECTL	Data EEPROM Control Register
P01B	—	Reserved
P01C	EPCTLL	Program EPROM Control Register – Low Array

TMS370Cx32

8-BIT MICROCONTROLLER

SPNS015C – FEBRUARY 1990 – REVISED FEBRUARY 1997

program EPROM†

The TMS370C732 device contains 8K bytes of EPROM mapped, beginning at location 6000h and continuing through location 7FFFh as shown in Figure 3. Reading the program EPROM modules is identical to reading other internal memory. During programming, the EPROM is controlled by the EPROM control register (EPCTLL). The program EPROM module features include:

- Programming
 - In-circuit programming capability if V_{PP} is applied to MC
 - Control register: EPROM programming is controlled by the EPROM control register (EPCTLL) located in the peripheral file (PF) frame at location P01C as shown in Table 5.
- Write protection: Writes to the program EPROM are disabled under the following conditions:
 - Reset: All programming to the EPROM module is halted
 - Low-power modes
 - 13 V not applied to MC

program ROM†

The program ROM consists of 8K bytes of mask programmable read-only memory. The program ROM is used for permanent storage of data or instructions. Programming of the mask ROM is performed at the time of device fabrication. Refer to Figure 3 for ROM memory map.

system reset

The system-reset operation ensures an orderly start-up sequence for the TMS370Cx32 CPU-based device. There are up to three different actions that can cause a system reset to the device. Two of these actions are generated internally, while one ($\overline{\text{RESET}}$ pin) is controlled externally. These actions are as follows:

- PACT watchdog (WD) timer. A watchdog-generated reset occurs if an improper value is written to the WD key register, or if the re-initialization does not occur before the watchdog timer timeout. See the *TMS370 Family User's Guide* (literature number SPNU127) for more information.
- Oscillator reset. Reset occurs when the oscillator operates outside of the recommended operating range. See the *TMS370 Family User's Guide* (literature number SPNU127) for more information.
- External $\overline{\text{RESET}}$ pin. A low level signal can trigger an external reset. To ensure a reset, the external signal should be held low for one SYSCLK cycle. Signals of less than one SYSCLK can generate a reset. See the *TMS370 Family User's Guide* (literature number SPNU127) for more information.

Once a reset source is activated, the external $\overline{\text{RESET}}$ pin is driven (active) low for a minimum of eight SYSCLK cycles. This allows the 'x32 device to reset external system components. Additionally, if a cold start condition (V_{CC} is off for several hundred milliseconds) or oscillator failure occurs or the $\overline{\text{RESET}}$ pin is held low, then the reset logic holds the device in a reset state for as long as these actions are active.

After a reset, the program can check the oscillator-fault flag (OSC FLT FLAG, SCCR0.4) and the cold-start flag (COLD START, SCCR0.7) to determine the source of the reset. A reset does not clear these flags. Table 6 depicts the reset sources. If none of the sources indicated in Table 1 caused the reset, then the $\overline{\text{RESET}}$ pin was pulled low by the external hardware or the PACT module's watchdog.

† Memory addresses 7FE0h through 7FEBh are reserved for Texas Instruments, and 7FEC through 7FFFh are reserved for interrupt and reset vectors. Trap vectors, used with TRAP0 through TRAP15 instructions are located between addresses 7FC0h and 7FDFh. PACT interrupts are located between addresses 7F9Ch and 7FBFh.



system reset (continued)

Table 6. Reset Sources

REGISTER	ADDRESS	PF	BIT NO.	CONTROL BIT	SOURCE OF RESET
SCCR0	1010h	P010	7	COLD START	Cold (power-up)
SCCR0	1010h	P010	4	OSC FLT FLAG	Oscillator out of range

Once a reset is activated, the following sequence of events occurs:

1. The CPU registers are initialized: ST = 00h, SP = 01h (reset state).
2. Registers A and B are initialized to 00h (no other RAM is changed).
3. The contents of the LSbyte of the reset vector (07FFh) are read and stored in the PCL.
4. The contents of the MSbyte of the reset vector (07FEh) are read and stored in the PCH.
5. Program execution begins with an opcode fetch from the address pointed to the PC.

The reset sequence takes 20 SYSCLK cycles from the time the reset pulse is released until the first opcode fetch. During a reset, RAM contents (except for registers A and B) remain unchanged, and the module control register bits are initialized to their reset state.

TMS370Cx32 8-BIT MICROCONTROLLER

SPNS015C – FEBRUARY 1990 – REVISED FEBRUARY 1997

interrupts

The TMS370 family software-programmable interrupt structure permits flexible on-chip and external interrupt configurations to meet real-time interrupt-driven application requirements. The hardware interrupt structure incorporates two priority levels as shown in Figure 4. Interrupt level 1 has a higher priority than interrupt level 2. The two priority levels can be masked independently by the global interrupt mask bits (IE1 and IE2) of the ST.

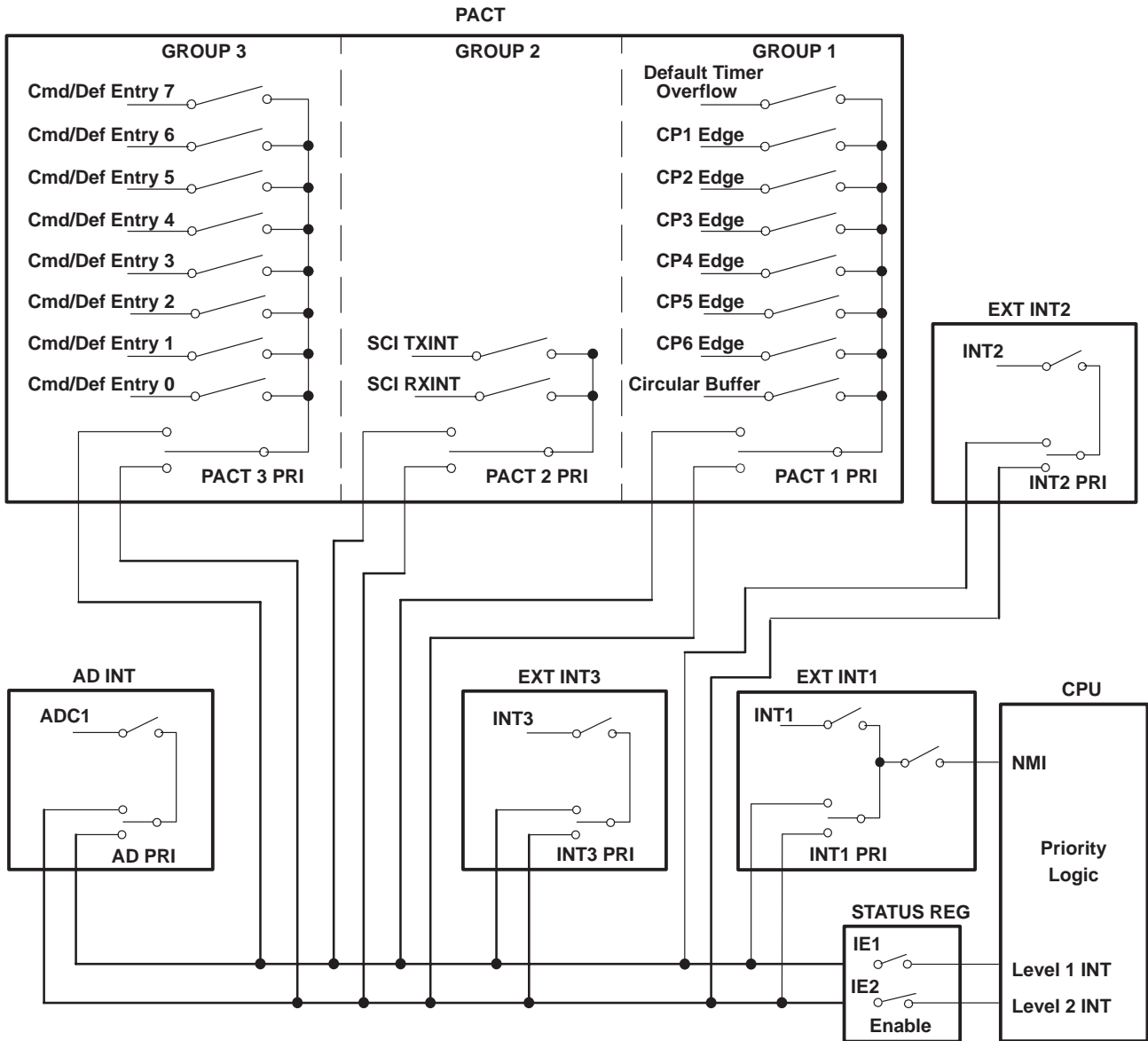


Figure 4. Interrupt Control

Each system interrupt is configured independently to either the high- or low-priority chain by the application program during system initialization. Within each interrupt chain, the interrupt priority is fixed by the position of the system interrupt. However, since each system interrupt is selectively configured on either the high- or low-priority-interrupt chain, the application program can elevate any system interrupt to the highest priority. Arbitration between the two priority levels is performed within the CPU. Arbitration within each of the priority

interrupts (continued)

chains is performed within the peripheral modules to support interrupt expansion for future modules. Pending interrupts are serviced upon completion of current instruction execution, depending on their interrupt mask and priority conditions.

The TMS370Cx32 has 22 hardware system interrupts (plus $\overline{\text{RESET}}$) as shown in Table 7. Each system interrupt has a dedicated vector located in program memory through which control is passed to the interrupt service routines. A system interrupt may have multiple interrupt sources. All the interrupt sources are individually maskable by local interrupt enable control bits in the associated peripheral file. Each interrupt source FLAG bit is individually readable for software polling or for determining which interrupt source generated the associated system interrupt.

Nineteen of the system interrupts are generated by on-chip peripheral functions, and three external interrupts are supported. Software configuration of the external interrupts is performed through the INT1, INT2, and INT3 control registers in peripheral file frame 1. Each external interrupt is individually software configurable for input polarity (rising or falling edge) for ease of system interface. External interrupt INT1 is software configurable as either a maskable or non-maskable interrupt. When INT1 is configured as non-maskable, it cannot be masked by the individual- or global-enable mask bits. The INT1 NMI bit is protected during non-privileged operation and, therefore, should be configured during the initialization sequence following reset. To maximize pin flexibility, external interrupts INT2 and INT3 can be software configured as general-purpose input/output pins if the interrupt function is not required (INT1 can be similarly configured as an input pin).

TMS370Cx32 8-BIT MICROCONTROLLER

SPNS015C – FEBRUARY 1990 – REVISED FEBRUARY 1997

interrupts (continued)

Table 7. Hardware System Interrupts

INTERRUPT SOURCE	INTERRUPT FLAG	OSC FLT FLG	SYSTEM INTERRUPT	VECTOR ADDRESS	MODULE PRIORITY†	PRIORITY IN GROUP
RESET	External RESET Watchdog Overflow Oscillator Fault	COLD START (No Flag) OSC FLT FLAG	RESET‡	7FEEh, 7FFFh	1	1
INT1	External Interrupt 1	INT1 FLAG	INT1‡	7FFCh, 7FFDh	2	1
INT2	External Interrupt 2	INT2 FLAG	INT2‡	7FFAh, 7FFBh	3	1
INT3	External Interrupt 3	INT3 FLAG	INT3‡	7FF8h, 7FF9h	4	1
PACT (Group 1)	PACT Circular Buffer	Buffer Half/Full Interrupt Flag	BUFINT	7FB0h, 7FB1h	5	1
	PACT CP6 Event	CP6 INT FLAG	CP6INT	7FB2h, 7FB3h		2
	PACT CP5 Event	CP5 INT FLAG	CP5INT	7FB4h, 7FB5h		3
	PACT CP4 Event	CP4 INT FLAG	CP4INT	7FB6h, 7FB7h		4
	PACT CP3 Event	CP3 INT FLAG	CP3INT	7FB8h, 7FB9h		5
	PACT CP2 Event	CP2 INT FLAG	CP2INT	7FBAh, 7FBBh		6
	PACT CP1 Event	CP1 INT FLAG	CP1INT	7FBCh, 7FBDh		7
	Default Timer Overflow	DEFTIM OVRFL INT FLAG	POVRL INT	7FBEh, 7FBFh		8
PACT (Group 2)	PACT SCI Rx Int	PACT RX RDY	PRXINT	7F9Eh, 7F9Fh	6	1
	PACT SCI Tx Int	PACT TX RDY	PTXINT	7F9Ch, 7F9Dh		2
PACT (Group 3)	PACT Cmd/Def Entry 0	CMD/DEF INT 0 FLAG	CDINT 0	7FA0h, 7FA1h	7	1
	PACT Cmd/Def Entry 1	CMD/DEF INT 1 FLAG	CDINT 1	7FA2h, 7FA3h		2
	PACT Cmd/Def Entry 2	CMD/DEF INT 2 FLAG	CDINT 2	7FA4h, 7FA5h		3
	PACT Cmd/Def Entry 3	CMD/DEF INT 3 FLAG	CDINT 3	7FA6h, 7FA7h		4
	PACT Cmd/Def Entry 4	CMD/DEF INT 4 FLAG	CDINT 4	7FA8h, 7FA9h		5
	PACT Cmd/Def Entry 5	CMD/DEF INT 5 FLAG	CDINT 5	7FAAh, 7FABh		6
	PACT Cmd/Def Entry 6	CMD/DEF INT 6 FLAG	CDINT 6	7FACH, 7FADh		7
	PACT Cmd/Def Entry 7	CMD/DEF INT 7 FLAG	CDINT 7	7FAEh, 7FAFh		8
ADC1	ADC1 Conversion Complete	AD INT FLAG	ADINT	7FECh, 7FEDh	8	1

† Relative priority within an interrupt level

‡ Release microcontroller from STANDBY and HALT low-power modes

privileged operation and EEPROM write protection override

The TMS370Cx32 family is designed with significant flexibility to enable the designer to software-configure the system and peripherals to meet the requirements of a variety of applications. The nonprivileged mode of operation ensures the integrity of the system configuration, once it is defined for an application. Following a hardware reset, the TMS370Cx32 operates in the privileged mode, where all peripheral file registers have unrestricted read/write access, and the application program configures the system during the initialization sequence following reset. As the last step of system initialization, the PRIVILEGE DISABLE bit (SCCR2.0) is set to 1 to enter the nonprivileged mode, disabling write operations to specific configuration-control bits within the PF. Table 8 displays the system-configuration bits which are write-protected during the nonprivileged mode and must be configured by software prior to exiting the privileged mode.



privileged operation and EEPROM write protection override (continued)

Table 8. Privilege Bits

REGISTER†		CONTROL BIT
NAME	LOCATION	
SCCRO	P010.5 P010.6	PF AUTO WAIT OSC POWER
SCCR1	P011.2 P011.4	MEMORY DISABLE AUTOWAIT DISABLE
SCCR2	P012.0 P012.1 P012.3 P012.4 P012.6 P012.7	PRIVILEGE DISABLE INT1 NMI CPU STEST BUS STEST PWRDWN/IDLE HALT/STANDBY
PACTSCR	P040.0 P040.1 P040.2 P040.3 P040.4	PACT PRESCALE SELECT 0 PACT PRESCALE SELECT 1 PACT PRESCALE SELECT 2 PACT PRESCALE SELECT 3 FAST MODE SELECT
PACTPRI	P04F.0 P04F.1 P04F.2 P04F.3 P04F.4 P04F.5 P04F.7	PACT WD PRESCALE SELECT 0 PACT WD PRESCALE SELECT 1 PACT MODE SELECT PACT GROUP 3 PRIORITY PACT GROUP 2 PRIORITY PACT GROUP 1 PRIORITY PACT STEST
ADPRI	P07F.5 P07F.6 P07F.7	AD ESPEN AD PRIORITY AD STEST

† The privilege bits are shown in a bold typeface in the peripheral file frame 1 section.

low-power and IDLE modes

The TMS370Cx32 devices have two low-power modes (STANDBY and HALT) and an IDLE mode. For mask-ROM devices, low-power modes can be disabled permanently through a programmable contact at the time when the mask is manufactured.

The STANDBY and HALT low-power modes significantly reduce power consumption by reducing or stopping the activity of the various on-chip peripherals when processing is not required. Each of the low-power modes is entered by executing the IDLE instruction when the PWRDWN/IDLE bit in SCCR2 has been set to 1. The HALT/STANDBY bit in SCCR2 controls the low-power mode selection.

In the STANDBY mode (HALT/STANDBY = 0), all CPU activity and most peripheral module activity is stopped; however, the oscillator, internal clocks, the PACT counter, and the first PACT command entry remain active in all modules. System processing is suspended until a qualified interrupt (hardware $\overline{\text{RESET}}$ or external interrupt on INT1, INT2, or INT3) is detected.

In the HALT mode (HALT/STANDBY = 1), the TMS370Cx32 is placed in its lowest power consumption mode. The oscillator and internal clocks are stopped, causing all internal activity to be halted. System activity is suspended until a qualified interrupt (hardware $\overline{\text{RESET}}$ or external interrupt on the INT1, INT2, or INT3) is detected. The power-down mode-selection bits are summarized in Table 9.

low-power and IDLE modes (continued)

Table 9. Low-Power/Idle Control Bits

POWER-DOWN CONTROL BITS		MODE SELECTED
PWRDWN/IDLE (SCCR2.6)	HALT/STANDBY (SCCR2.7)	
1	0	STANDBY
1	1	HALT
0	X †	IDLE

† X = don't care

When low-power modes are disabled through a programmable contact in the mask-ROM devices, writing to the SCCR2.6-7 bits is ignored. In addition, if an IDLE instruction is executed when low-power modes are disabled through a programmable contact, the device always enters the IDLE mode.

To provide a method for always exiting low-power modes for mask-ROM devices, INT1 is enabled automatically as a nonmaskable interrupt (NMI) during low-power modes when the hard watchdog mode is selected. This means that the NMI is generated always, regardless of the interrupt enable flags.

The following information is preserved throughout both the STANDBY and HALT modes: RAM (register file), CPU registers (SP, PC, and ST), I/O pin direction and output data, and status registers of all on-chip peripheral functions. Since all CPU instruction processing is stopped during the STANDBY and HALT modes, the clocking of the WD timer is inhibited.

clock modules

The 'x32 family provides two clock options that are referred to as divide-by-1 (phase-locked loop) and divide-by-4 (standard oscillator). Both the divide-by-1 and divide-by-4 options are configurable during the manufacturing process of a TMS370 microcontroller. The 'x32 masked-ROM devices offer both options to meet system engineering requirements. Only one of the two clock options is allowed on each ROM device. The '732A EPROM has only the divide-by-4.

The divide-by-1 clock module option provides the capability for reduced electromagnetic interference (EMI) with no added cost.

The divide-by-1 provides a one-to-one match of the external resonator frequency (CLKIN) to the internal system clock (SYSCLK) frequency, whereas the divide-by-4 produces a SYSCLK which is one-fourth the frequency of the external resonator. Inside the divide-by-1 module, the frequency of the external resonator is multiplied by four, and the clock module then divides the resulting signal by four to provide the four-phased internal system clock signals. The resulting SYSCLK is equal to the resonator frequency. These are formulated as follows:

$$\text{Divide-by-4 option : } \text{SYSCLK} = \frac{\text{external resonator frequency}}{4} = \frac{\text{CLKIN}}{4}$$

$$\text{Divide-by-1 option : } \text{SYSCLK} = \frac{\text{external resonator frequency} \times 4}{4} = \text{CLKIN}$$

The main advantage of choosing a divide-by-1 oscillator is the reduced EMI. The harmonics of low-speed resonators extend through fewer of the emissions spectrum than the harmonics of faster resonators. The divide-by-1 provides the capability of reducing the resonator speed by four times, and this results in a steeper decay of emissions produced by the oscillator.

system configuration registers

Table 10, contains system-configuration and control functions and registers for controlling EEPROM programming. The privileged bits are shown in a bold typeface and shaded areas.

Table 10. Peripheral File Frame 1: System-Configuration Registers

PF	BIT 7	BIT 6	BIT 5	BIT 4	BIT 3	BIT 2	BIT 1	BIT 0	REG
P010	COLD START	OSC POWER	PF AUTO WAIT	OSC FLT FLAG	MC PIN WPO	MC PIN DATA	—	μP/μC MODE	SCCR0
P011	—	—	—	AUTO WAIT DISABLE	—	MEMORY DISABLE	—	—	SCCR1
P012	HALT/STANDBY	PWRDWN/IDLE	—	BUS STEST	CPU STEST	—	INT1 NMI	PRIVILEGE DISABLE	SCCR2
P013 to P016	Reserved								
P017	INT1 FLAG	INT1 PIN DATA	—	—	—	INT1 POLARITY	INT1 PRIORITY	INT1 ENABLE	INT1
P018	INT2 FLAG	INT2 PIN DATA	—	INT2 DATA DIR	INT2 DATA OUT	INT2 POLARITY	INT2 PRIORITY	INT2 ENABLE	INT2
P019	INT3 FLAG	INT3 PIN DATA	—	INT3 DATA DIR	INT3 DATA OUT	INT3 POLARITY	INT3 PRIORITY	INT3 ENABLE	INT3
P01A	BUSY	—	—	—	—	AP	W1W0	EXE	DEECTL
P01B	Reserved								
P01C	BUSY	VPPS	—	—	—	—	W0	EXE	EPCTL
P01D to P01F	Reserved								

TMS370Cx32

8-BIT MICROCONTROLLER

SPNS015C – FEBRUARY 1990 – REVISED FEBRUARY 1997

digital port control registers

Peripheral file frame 2 contains the digital I/O pin configuration and control registers. Table 11 shows the specific addresses, registers, and control bits within this peripheral file frame. Table 12 shows the port configuration register setup.

Table 11. Peripheral File Frame 2: Digital Port-Control Registers

PF	BIT 7	BIT 6	BIT 5	BIT 4	BIT 3	BIT 2	BIT 1	BIT 0	
P020	Reserved								APOINT1
P021	Port A Control Register 2 (must be 0)								APOINT2
P022	Port A Data								ADATA
P023	Port A Direction								ADIR
P024 to P02B	Reserved								
P02C	Port D Control Register 1 (must be 0)	—	—	Port D Control Register 1 (must be 0)	—	—	—	—	DPOINT1
P02D	Port D Control Register 2 (must be 0) [†]	—	—	Port D Control Register 2 (must be 0) [†]	—	—	—	—	DPOINT2
P02E	Port D Data		—	Port D Data		—	—	—	DDATA
P02F	Port D Direction		—	Port D Direction		—	—	—	DDIR

[†] To configure pin D3 as SYSCLK, set port D control register 2 = 08h.

Table 12. Port Configuration Register Setup

PORT	PIN	abcd 00q1	abcd 00y0
A	0 – 7	Data out q	Data In y
D	3, 4, 6, 7	Data out q	Data In y
a = Port x Control Register 1 b = Port x Control Register 2 c = Data d = Direction			

programmable acquisition and control timer (PACT) module

Traditionally, timers in microcontrollers provide limited capture and compare functions consuming significant CPU processing power, leading to inaccurate timings due to interrupt latencies. The programmable acquisition and control timer (PACT8) acts as a coprocessor combining configurable capture and compare features, within a flexible dual-port RAM, able to run real-time tasks with little or no CPU intervention. The PACT structure allows concatenation of tasks, thus enabling the CPU to perform data manipulation while the PACT module both captures and outputs real-time-related information. Since all the PACT control information is held within the dual-port RAM, the CPU can access these parameters quickly.

To use the PACT, the user must set up three distinct areas of memory. The first is the dual-port RAM, which contains the capture area, the commands, and the timer definitions. The second is the peripheral frame. The third is an area near the end of the program memory which holds the interrupt vectors of PACT.



programmable acquisition and control timer (PACT) module (continued)

The PACT module features include the following:

- Input-capture functions on up to six input pins (CP1 to CP6), depending on the mode selected:
 - Mode A: CP1–2 are dedicated capture, CP3–6 are circular-buffer capture, and CP6 is an event pin.
 - Mode B: CP1–4 are dedicated capture, CP5–6 are circular-buffer capture, and CP6 is an event pin.
- Multiple timer-driven outputs on eight pins (OP1 to OP8)
 - Standard compare command: sets or clears an output pin whenever the timer/counter is equal to a certain value
 - Virtual timers: Enable variations of the PWM's period and provides periodic interrupts to the processor.
 - Double event-compare command: Comparisons of the 8-bit event counter with two event-compare values and the actions that can be performed are based on each value.
 - Event-compare 1 matching the event counter: sets or resets the selected output pin (OP1–OP8), generates interrupt, and generates a 32-bit capture into the circular buffer.
 - Event-compare 2 matching the event counter: sets or resets the selected output pin (OP1–OP8), generates interrupt, generates a 32-bit capture into the circular buffer, and resets the 20-bit default timer.
 - Offset timer definition-time from last event:
 - Generates an interrupt when the maximum event count is reached
 - Stores the 16-bit virtual timer in the circular buffer on each event
 - Stores the 20-bit default timer and 8-bit event counter in the circular buffer when the maximum event count is reached
 - Resets the 20-bit hardware default timer when the maximum event count is reached
 - Conditional-compare command has a timer-compare value and an event-compare value.
 - Generates an interrupt when the event-compare value equals the event counter and the timer-compare value equals the last defined timer
 - Sets or clears one of the seven output pins (OP1–OP7) when the event compare value equals the event counter and the timer-compare value equals the last defined timer
 - Baud rate timer definition: runs the mini-serial communications port built into the PACT module.
- Configurable timer overflow rates
- One 8-bit event counter driven by CP6
- Up to 20-bit timer capability
- Interaction between event counter and timer activity
- Register-based organization allowing direct access to timer parameters by the CPU
- 18 independent interrupt vectors with two priority levels
- Integrated, configurable watchdog with selectable time-out period

TMS370Cx32 8-BIT MICROCONTROLLER

SPNS015C – FEBRUARY 1990 – REVISED FEBRUARY 1997

programmable acquisition and control timer (PACT) module (continued)

- Mini-serial communications interface works as a simplified full duplex universal asynchronous receiver/transmitter (UART) with independent setup of baud rate for receive and transmit lines.
 - Asynchronous communications mode

$$\text{Asynchronous Baud} = \frac{1}{(\text{Max Virtual Timer Value}) \times (4) \times (\text{PACT Resolution})} \times \text{SYSCLK}$$

where PACT Resolution = SYSCLK × Prescale Value

PACT block diagram

The PACT module block diagram is illustrated in Figure 5.

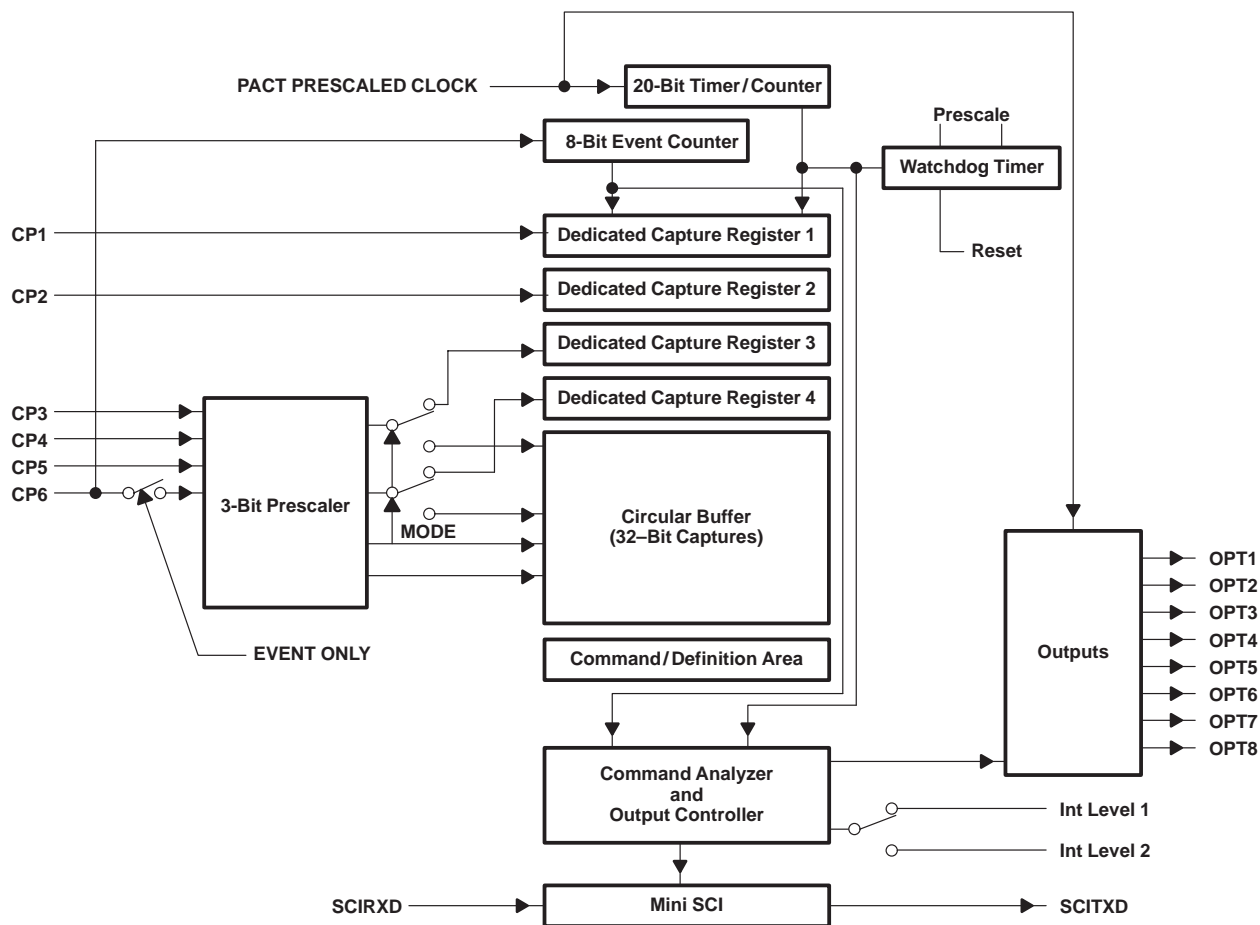


Figure 5. PACT Block diagram

PACT control registers

The PACT module is controlled and accessed through registers in peripheral frame 4. These registers are listed in Table 13. The bits in shaded boxes are privileged mode bits; that is, they can be written to only in the privileged mode.

Table 13. PACT Control Registers

PF	BIT 7	BIT 6	BIT 5	BIT 4	BIT 3	BIT 2	BIT 1	BIT 0	REG
P040	DEFTIM OVRFL INT ENA	DEFTIM OVRFL INT FLAG	CMD/DEF AREA ENA	FAST MODE SELECT	PACT PRESCALE SELECT3	PACT PRESCALE SELECT2	PACT PRESCALE SELECT1	PACT PRESCALE SELECT0	PACTSCR
P041	CMD/DEF AREA INT ENA	—	CMD/DEF AREA START BIT 5	CMD/DEF AREA START BIT 4	CMD/DEF AREA START BIT 3	CMD/DEF AREA START BIT 2	—	—	CDSTART
P042	—	CMD/DEF AREA END BIT 6	CMD/DEF AREA END BIT 5	CMD/DEF AREA END BIT 4	CMD/DEF AREA END BIT 3	CMD/DEF AREA END BIT 2	—	—	CDEND
P043	1	1	BUFFER POINTER BIT 5	BUFFER POINTER BIT 4	BUFFER POINTER BIT 3	BUFFER POINTER BIT 2	BUFFER POINTER BIT 1	—	BUFPTR
P044	Reserved								
P045	PACT RXRDY	PACT TXRDY	PACT PARITY	PACT FE	PACT SCI RX INT ENA	PACT SCI TX INT ENA	—	PACT SCI SW RESET	SCICTLP
P046	PACT RXDT7	PACT RXDT6	PACT RXDT5	PACT RXDT4	PACT RXDT3	PACT RXDT2	PACT RXDT1	PACT RXDT0	RXBUFP
P047	PACT TXDT7	PACT TXDT6	PACT TXDT5	PACT TXDT4	PACT TXDT3	PACT TXDT2	PACT TXDT1	PACT TXDT0	TXBUFP
P048	PACT OP8 STATE	PACT OP7 STATE	PACT OP6 STATE	PACT OP5 STATE	PACT OP4 STATE	PACT OP3 STATE	PACT OP2 STATE	PACT OP1 STATE	PSTATE
P049	CMD/DEF INT 7 FLAG	CMD/DEF INT 6 FLAG	CMD/DEF INT 5 FLAG	CMD/DEF INT 4 FLAG	CMD/DEF INT 3 FLAG	CMD/DEF INT 2 FLAG	CMD/DEF INT 1 FLAG	CMD/DEF INT 0 FLAG	CDFLAGS
P04A	CP2 INT ENA	CP2 INT FLAG	CP2 CAPT RISING EDGE	CP2 CAPT FALLING EDGE	CP1 INT ENA	CP1 INT FLAG	CP1 CAPT RISING EDGE	CP1 CAPT FALLING EDGE	CPCTL1
P04B	CP4 INT ENA	CP4 INT FLAG	CP4 CAPT RISING EDGE	CP4 CAPT FALLING EDGE	CP3 INT ENA	CP3 INT FLAG	CP3 CAPT RISING EDGE	CP3 CAPT FALLING EDGE	CPCTL2
P04C	CP6 INT ENA	CP6 INT FLAG	CP6 CAPT RISING EDGE	CP6 CAPT FALLING EDGE	CP5 INT ENA	CP5 INT FLAG	CP5 CAPT RISING EDGE	CP5 CAPT FALLING EDGE	CPCTL3
P04D	BUFFER HALF/FULL INT ENA	BUFFER HALF/FULL INT FLAG	INPUT CAPT PRESCALE SELECT 3	INPUT CAPT PRESCALE SELECT 2	INPUT CAPT PRESCALE SELECT 1	CP6 EVENT ONLY	EVENT COUNTER SW RESET	OP/ SET/CLR SELECT	CPPRE
P04E	WATCHDOG RESET KEY								WDRST
P04F	PACT STEST	PACT SUSPEND	PACT GROUP 1 PRIORITY	PACT GROUP 2 PRIORITY	PACT GROUP 3 PRIORITY	PACT MODE SELECT	PACT WD PRESCALE SELECT 1	PACT WD PRESCALE SELECT 0	PACTPRI

TMS370Cx32

8-BIT MICROCONTROLLER

SPNS015C – FEBRUARY 1990 – REVISED FEBRUARY 1997

analog-to-digital converter 1 module

The analog-to-digital converter 1 (ADC1) module is an 8-bit, successive approximation converter with internal sample-and-hold circuitry. The module has four multiplexed analog input channels that allow the processor to convert the voltage levels from up to eight different sources. The ADC1 module features include the following:

- Minimum conversion time: 32.8 μ s at 5 MHz SYSCLK
- Ten external pins:
 - Eight analog-input channels (AN0–AN7), any of which can be software-configured as digital inputs (E0–E7) when not needed as analog channels
 - AN1–AN7 also can be configured as positive-input voltage reference.
 - V_{CC3} : ADC1 module high-voltage reference input
 - V_{SS3} : ADC1 module low-voltage reference input
- The ADDATA register, which contains the digital result of the last ADC1 conversion.
- ADC1 operations can be accomplished through either interrupt-driven or polled algorithms.
- Six ADC1 module control registers located in the control-register frame beginning at address 1070h

The ADC1 module control registers are listed in Table 14.

Table 14. ADC1 Module Control Register Memory Map

PF	BIT 7	BIT 6	BIT 5	BIT 4	BIT 3	BIT 2	BIT 1	BIT 0	REG
P070	CONVERT START	SAMPLE START	REF VOLT SELECT2	REF VOLT SELECT1	REF VOLT SELECT0	AD INPUT SELECT2	AD INPUT SELECT1	AD INPUT SELECT0	ADCTL
P071	—	—	—	—	—	AD READY	AD INT FLAG	AD INT ENA	ADSTAT
P072	A/D Conversion Data Register								ADDATA
P073 to P07C	Reserved								
P07D	Port E Data Input Register								ADIN
P07E	Port E Input Enable Register								ADENA
P07F	AD STEST	AD PRIORITY	AD ESPEN	—	—	—	—	—	ADPRI



analog-to-digital converter 1 module (continued)

The ADC1 module block diagram is illustrated in Figure 6.

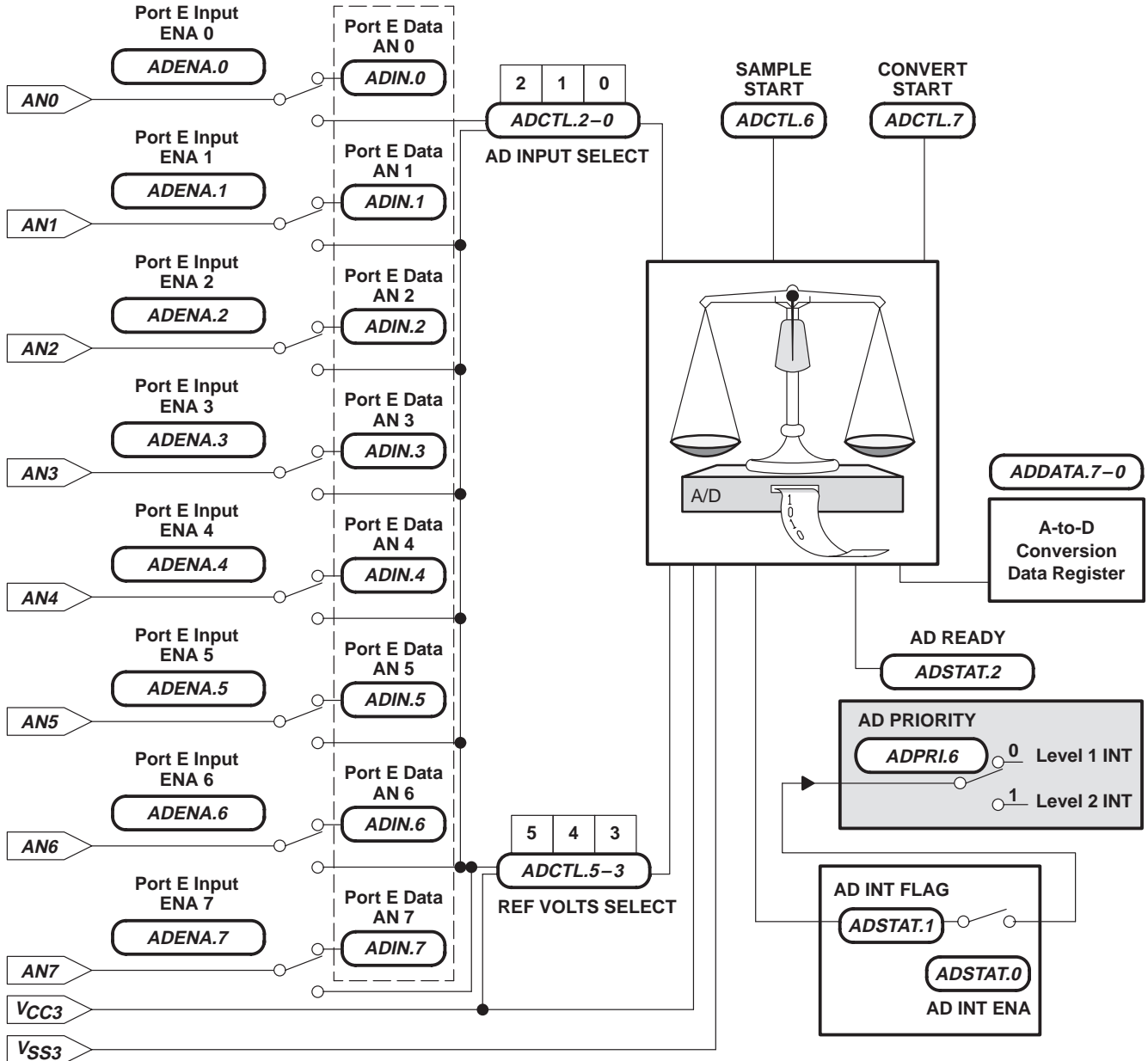


Figure 6. ADC1 Block Diagram

TMS370Cx32 8-BIT MICROCONTROLLER

SPNS015C – FEBRUARY 1990 – REVISED FEBRUARY 1997

instruction set overview

Table 15 provides an opcode to instruction cross reference of all 73 instructions and 274 opcodes of the '370Cx32 instruction set. The numbers at the top of this table represent the most significant nibble (MSN) of the opcode while the numbers at the left side of the table represent the least significant nibble (LSN). The instruction of these two opcode nibbles contains the mnemonic, operands, and byte/cycle particular to that opcode.

For example, the opcode B5h points to the CLR A instruction. This instruction contains one byte and executes in eight SYSCLK cycles.



Table 15. TMS370 Family Opcode/Instruction Map†

		MSN																
		0	1	2	3	4	5	6	7	8	9	A	B	C	D	E	F	
0	JMP #ra 2/7								INCW #ra,Rd 3/11	MOV Ps,A 2/8				CLRC / TST A 1/9	MOV A,B 1/9	MOV A,Rd 2/7	TRAP 15 1/14	LDST n 2/6
1	JN ra 2/5		MOV A,Pd 2/8				MOV B,Pd 2/8		MOV Rs,Pd 3/10		MOV Ps,B 2/7				MOV B,Rd 2/7	TRAP 14 1/14	MOV #ra[SP],A 2/7	
2	JZ ra 2/5	MOV Rs,A 2/7	MOV #n,A 2/6	MOV Rs,B 2/7	MOV Rs,Rd 3/9	MOV #n,B 2/6	MOV B,A 1/8	MOV #n,Rd 3/8				MOV Ps,Rd 3/10	DEC A 1/8	DEC B 1/8	DEC Rd 2/6	TRAP 13 1/14	MOV A,*ra[SP] 2/7	
3	JC ra 2/5	AND Rs,A 2/7	AND #n,A 2/6	AND Rs,B 2/7	AND Rs,Rd 3/9	AND #n,B 2/6	AND B,A 1/8	AND #n,Rd 3/8	AND A,Pd 2/9	AND B,Pd 2/9	AND #n,Pd 3/10	INC A 1/8	INC B 1/8	INC Rd 2/6	TRAP 12 1/14	CMP *n[SP],A 2/8		
4	JP ra 2/5	OR Rs,A 2/7	OR #n,A 2/6	OR Rs,B 2/7	OR Rs,Rd 3/9	OR #n,B 2/6	OR B,A 1/8	OR #n,Rd 3/8	OR A,Pd 2/9	OR B,Pd 2/9	OR #n,Pd 3/10	INV A 1/8	INV B 1/8	INV Rd 2/6	TRAP 11 1/14	extend inst.2 opcodes		
5	JPZ ra 2/5	XOR Rs,A 2/7	XOR #n,A 2/6	XOR Rs,B 2/7	XOR Rs,Rd 3/9	XOR #n,B 2/6	XOR B,A 1/8	XOR #n,Rd 3/8	XOR A,Pd 2/9	XOR B,Pd 2/9	XOR #n,Pd 3/10	CLR A 1/8	CLR B 1/8	CLR Rn 2/6	TRAP 10 1/14			
6	JNZ ra 2/5	BTJO Rs,A,ra 3/9	BTJO #n,A,ra 3/8	BTJO Rs,B,ra 3/9	BTJO Rs,Rd,ra 4/11	BTJO #n,B,ra 3/8	BTJO B,A,ra 2/10	BTJO #n,Rd,ra 4/10	BTJO A,Pd,ra 3/11	BTJO B,Pd,ra 3/10	BTJO #n,Pd,ra 4/11	XCHB A 1/10	XCHB A / TST B 1/10	XCHB Rn 2/8	TRAP 9 1/14	IDLE 1/6		
7	JNC ra 2/5	BTJZ Rs.,A,ra 3/9	BTJZ #n,A,ra 3/8	BTJZ Rs,B,ra 3/9	BTJZ Rs,Rd,ra 4/11	BTJZ #n,B,ra 3/8	BTJZ B,A,ra 2/10	BTJZ #n,Rd,ra 4/10	BTJZ A,Pd,ra 3/10	BTJZ B,Pd,ra 3/10	BTJZ #n,Pd,ra 4/11	SWAP A 1/11	SWAP B 1/11	SWAP Rn 2/9	TRAP 8 1/14	MOV #n,Pd 3/10		
8	JV ra 2/5	ADD Rs,A 2/7	ADD #n,A 2/6	ADD Rs,B 2/7	ADD Rs,Rd 3/9	ADD #n,B 2/6	ADD B,A 1/8	ADD #n,Rd 3/8	MOVW #16,Rd 4/13	MOVW Rs,Rd 3/12	MOVW #16[B],Rpd 4/15	PUSH A 1/9	PUSH B 1/9	PUSH Rd 2/7	TRAP 7 1/14	SETC 1/7		
9	JL ra 2/5	ADC Rs,A 2/7	ADC #n,A 2/6	ADC Rs,B 2/7	ADC Rs,Rd 3/9	ADC #n,B 2/6	ADC B,A 1/8	ADC #n,Rd 3/8	JMPL lab 3/9	JMPL *Rp 2/8	JMPL *lab[B] 3/11	POP A 1/9	POP B 1/9	POP Rd 2/7	TRAP 6 1/14	RTS 1/9		
A	JLE ra 2/5	SUB Rs,A 2/7	SUB #n,A 2/6	SUB Rs,B 2/7	SUB Rs,Rd 3/9	SUB #n,B 2/6	SUB B,A 1/8	SUB #n,Rd 3/8	MOV & lab,A 3/10	MOV *Rp,A 2/9	MOV *lab[B],A 3/12	DJNZ A,#ra 2/10	DJNZ B,#ra 2/10	DJNZ Rd,#ra 3/8	TRAP 5 1/14	RTI 1/12		
B	JHS ra 2/5	SBB Rs,A 2/7	SBB #n,A 2/6	SBB Rs,B 2/7	SBB Rs,Rd 3/9	SBB #n,B 2/6	SBB B,A 1/8	SBB #n,Rd 3/8	MOV A, & lab 3/10	MOV A, *Rp 2/9	MOV A,*lab[B] 3/12	COMPL A 1/8	COMPL B 1/8	COMPL Rd 2/6	TRAP 4 1/14	PUSH ST 1/8		

† All conditional jumps (opcodes 01–0F), BTJO, BTJZ, and DJNZ instructions use two additional cycles if the branch is taken. The BTJO, BTJZ, and DJNZ instructions have a relative address as the last operand.

Table 15. TMS370 Family Opcode/Instruction Map† (Continued)

		MSN															
		0	1	2	3	4	5	6	7	8	9	A	B	C	D	E	F
C	JNV ra 2/5	MPY Rs,A 2/46	MPY #n,A 2/45	MPY Rs,B 2/46	MPY Rs,Rd 3/48	MPY #n,B 2/45	MPY B,A 1/47	MPY #n,Rs 3/47	BR lab 3/9	BR *Rp 2/8	BR *lab[B] 3/11	RR A 1/8	RR B 1/8	RR Rd 2/6	TRAP 3 1/14	POP ST 1/8	
D	JGE ra 2/5	CMP Rs,A 2/7	CMP #n,A 2/6	CMP Rs,B 2/7	CMP Rs,Rd 3/9	CMP #n,B 2/6	CMP B,A 1/8	CMP #n,Rd 3/8	CMP & lab,A 3/11	CMP *Rp,A 2/10	CMP *lab[B],A 3/13	RRC A 1/8	RRC B 1/8	RRC Rd 2/6	TRAP 2 1/14	LDSP 1/7	
E	JG ra 2/5	DAC Rs,A 2/9	DAC #n,A 2/8	DAC Rs,B 2/9	DAC Rs,Rd 3/11	DAC #n,B 2/8	DAC B,A 1/10	DAC #n,Rd 3/10	CALL lab 3/13	CALL *Rp 2/12	CALL *lab[B] 3/15	RL A 1/8	RL B 1/8	RL Rd 2/6	TRAP 1 1/14	STSP 1/8	
F	JLO ra 2/5	DSB Rs,A 2/9	DSB #n,A 2/8	DSB Rs,B 2/9	DSB Rs,Rd 3/11	DSB #n,B 2/8	DSB B,A 1/10	DSB #n,Rd 3/10	CALLR lab 3/15	CALLR *Rp 2/14	CALLR *lab[B] 3/17	RLC A 1/8	RLC B 1/8	RLC Rd 2/6	TRAP 0 1/14	NOP 1/7	

152

Second byte of two-byte instructions (F4xx):

F4	8	MOVW *n[Rn] 4/15	DIV Rn,A 3/14-63
F4	9	JMPL *n[Rn] 4/16	
F4	A	MOV *n[Rn],A 4/17	
F4	B	MOV A,*n[Rn] 4/16	
F4	C	BR *n[Rn] 4/16	
F4	D	CMP *n[Rn],A 4/18	
F4	E	CALL *n[Rn] 4/20	
F4	F	CALLR *n[Rn] 4/22	

Legend:

- * = Indirect addressing operand prefix
- & = Direct addressing operand prefix
- # = immediate operand
- #16 = immediate 16-bit number
- lab = 16-label
- n = immediate 8-bit number
- Pd = Peripheral register containing destination type
- Pn = Peripheral register
- Ps = Peripheral register containing source byte
- ra = Relative address
- Rd = Register containing destination type
- Rn = Register file
- Rp = Register pair
- Rpd = Destination register pair
- Rps = Source Register pair
- Rs = Register containing source byte

† All conditional jumps (opcodes 01-0F), BTJO, BTJZ, and DJNZ instructions use two additional cycles if the branch is taken. The BTJO, BTJZ, and DJNZ instructions have a relative address as the last operand.

development system support

The TMS370 family development support tools include an assembler, a C-compiler, a linker, a starter kit, CDT and an EEPROM/UVEPROM programmer.

- Assembler/linker (Part No. TMDS3740850–02 for PC)
 - Includes extensive macro capability
 - Provides high-speed operation
 - Includes format conversion utilities for popular formats
- ANSI C Compiler (Part No. TMDS3740855–02 for PC, Part No. TMDS3740555–09 for HP700™, Sun-3™ or Sun-4™)
 - Generate assembly code for the TMS370 that can be inspected easily
 - Improves code execution speed and reduces code size with optional optimizer pass
 - Enables direct reference to the TMS370's port registers by using a naming convention
 - Provides flexibility in specifying the storage for data objects
 - Interfaces C functions and assembly functions easily
 - Includes assembler and linker
- CDT370 (Compact Development Tool) PACT real-time in-circuit emulation
 - Base (Part Number EDSCDT37P – for PC, requires cable)
 - Cable for 44-pin PLCC (Part No. EDSTRG44PLCC32)
 - EEPROM and EPROM programming support
 - Allows inspection and modification of memory locations
 - Includes compatibility to upload/download program and data memory
 - Execute programs and software routines
 - Includes 1024-sample trace buffer
 - Includes single-step executable instructions
 - Uses software breakpoints to halt program execution at selected address
- Microcontroller programmer
 - Base (Part No. TMDS3760500A – for PC, requires programmer head)
 - Single unit head for 44-pin PLCC (Part No. TMDS3780510A)
 - PC-based, window/function-key-oriented user interface for ease of use and rapid learning environment
- Starter Kit (Part No. TMDS37000 – For PC)
 - Includes TMS370 Assembler diskette and documentation
 - Includes TMS370 Simulator
 - Includes programming adapter board and programming software
 - Does not include – (to be supplied by the user):
 - + 5 V power supply
 - ZIF sockets
 - 9-pin RS-232 cable

HP700 is a trademark of Hewlett-Packard Company.
Sun-3 and Sun-4 are trademarks of Sun Microsystems, Incorporated.



TMS370Cx32 8-BIT MICROCONTROLLER

SPNS015C – FEBRUARY 1990 – REVISED FEBRUARY 1997

device numbering conventions

Figure 7 illustrates the numbering and symbol nomenclature for the TMS370Cx32 family.

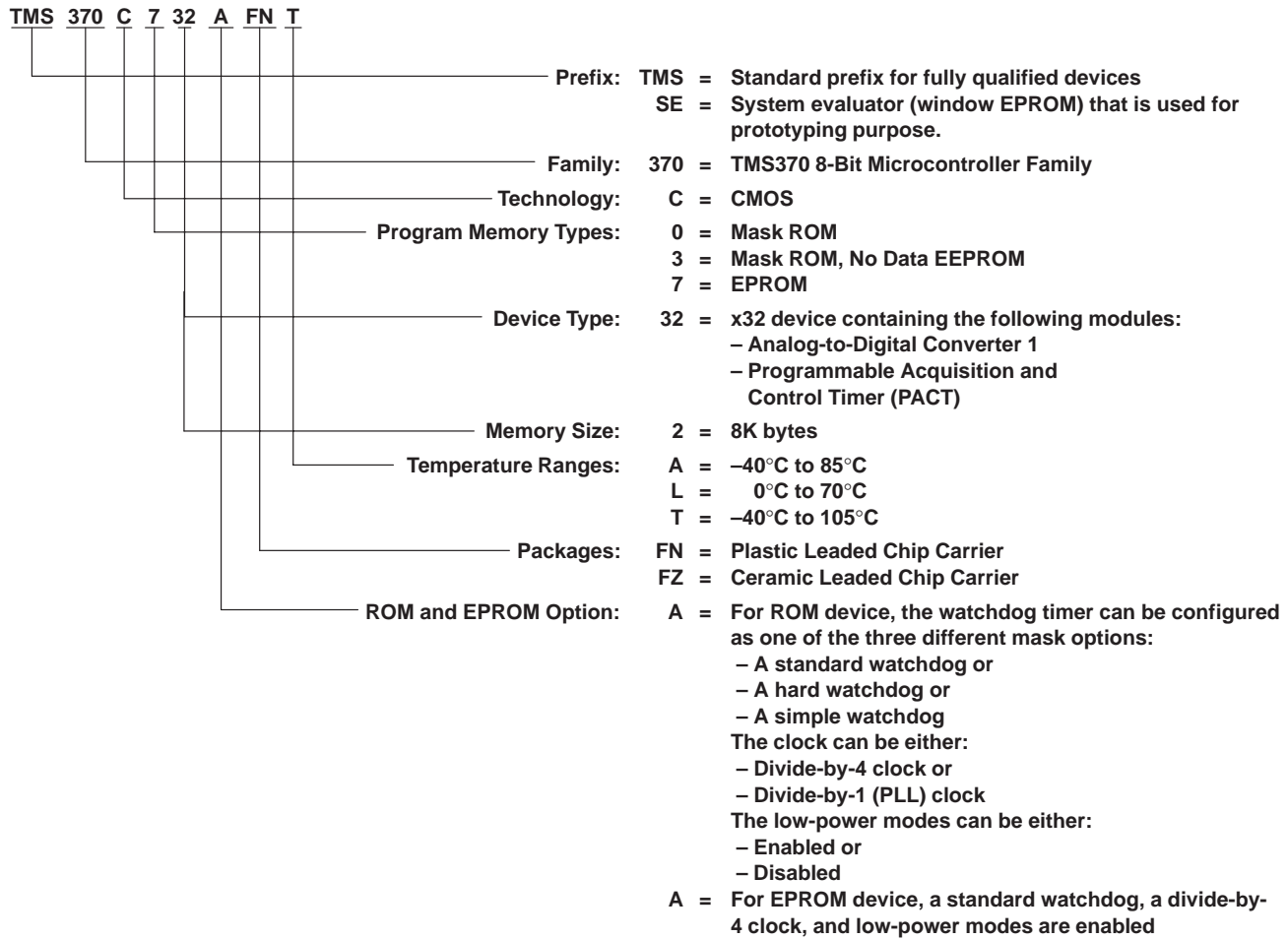


Figure 7. TMS370Cx32 Family Nomenclature



device part numbers

Table 16 lists all the 'x32 devices available. The device part number nomenclature is designed to assist ordering. Upon ordering, the customer must specify not only the device part number, but also the clock and watchdog timer options desired. Each device can have only one of the three possible watchdog timer options and one of the two clock options. The options to be specified pertain solely to orders involving ROM devices.

Table 16. Device Part Numbers

DEVICE PART NUMBERS FOR 44 PINS (LCC)
TMS370C032AFNA TMS370C032AFNL TMS370C032AFNT
TMS370C332AFNA TMS370C332AFNL TMS370C332AFNT
TMS370C732AFNT
SE370C732AFZT†

† System evaluators are for use in prototype environment, and their reliability has not been characterized.

TMS370Cx32 8-BIT MICROCONTROLLER

SPNS015C – FEBRUARY 1990 – REVISED FEBRUARY 1997

new code release form

Figure 8 shows a sample of the new code release form.

NEW CODE RELEASE FORM TEXAS INSTRUMENTS TMS370 MICROCONTROLLER PRODUCTS			DATE: _____																																		
<p>To release a new customer algorithm to TI incorporated into a TMS370 family microcontroller, complete this form and submit with the following information:</p> <ol style="list-style-type: none"> 1. A ROM description in object form on Floppy Disk, Modem XFR, or EPROM (Verification file will be returned via same media) 2. An attached specification if not using TI standard specification as incorporated in TI's applicable device data book. 																																					
<p>Company Name: _____ Street Address: _____ Street Address: _____ City: _____ State _____ Zip _____</p> <p>Customer Part Number: _____ Customer Application: _____</p> <p>TMS370 Device: _____ TI Customer ROM Number: _____ (provided by Texas Instruments)</p> <p>OSCILLATOR FREQUENCY</p> <table style="width: 100%; border-collapse: collapse;"> <thead> <tr> <th></th> <th style="text-align: center;">MIN</th> <th style="text-align: center;">TYP</th> <th style="text-align: center;">MAX</th> </tr> </thead> <tbody> <tr> <td><input type="checkbox"/> External Drive (CLKIN)</td> <td>_____</td> <td>_____</td> <td>_____</td> </tr> <tr> <td><input type="checkbox"/> Crystal</td> <td>_____</td> <td>_____</td> <td>_____</td> </tr> <tr> <td><input type="checkbox"/> Ceramic Resonator</td> <td>_____</td> <td>_____</td> <td>_____</td> </tr> </tbody> </table> <p><input type="checkbox"/> Supply Voltage MIN: _____ MAX: _____ (std range: 4.5V to 5.5V)</p> <p>TEMPERATURE RANGE</p> <p><input type="checkbox"/> 'L': 0° to 70°C (standard) <input type="checkbox"/> 'A': -40° to 85°C <input type="checkbox"/> 'T': -40° to 105°C</p> <p>SYMBOLIZATION</p> <p><input type="checkbox"/> TI standard symbolization <input type="checkbox"/> TI standard w/customer part number <input type="checkbox"/> Customer symbolization (per attached spec, subject to approval)</p> <p>NON-STANDARD SPECIFICATIONS: ALL NON-STANDARDS SPECIFICATIONS MUST BE APPROVED BY THE TI ENGINEERING STAFF: If the customer requires expedited production material (i.e., product which must be started in process prior to prototype approval and full production release) and non-standard spec issues are not resolved to the satisfaction of both the customer and TI in time for a scheduled shipment, the specification parameters in question will be processed/tested to the standard TI spec. Any such devices which are shipped without conformance to a mutually approved spec, will be identified by a 'P' in the symbolization preceding the TI part number.</p> <p>RELEASE AUTHORIZATION: This document, including any referenced attachments, is and will be the controlling document for all orders placed for this TI custom device. Any changes must be in writing and mutually agreed to by both the customer and TI. The prototype cycletime commences when this document is signed off and the verification code is approved by the customer.</p>		MIN	TYP	MAX	<input type="checkbox"/> External Drive (CLKIN)	_____	_____	_____	<input type="checkbox"/> Crystal	_____	_____	_____	<input type="checkbox"/> Ceramic Resonator	_____	_____	_____	<p>Contact Mr./Ms.: _____ Phone: (_____) _____ Ext.: _____</p> <p>Customer Purchase Order Number: _____ Customer Print Number *Yes: _____ # _____ No: _____ (Std. spec to be followed) *If Yes: Customer must provide "print" to TI w/NCRF for approval before ROM code processing starts.</p> <div style="border: 1px solid black; padding: 5px; margin-top: 10px;"> <p style="text-align: center; margin: 0;">CONTACT OPTIONS FOR THE 'A' VERSION TMS370 MICROCONTROLLERS</p> <table style="width: 100%; border-collapse: collapse;"> <tr> <td style="width: 33%;">Low Power Modes</td> <td style="width: 33%;">Watchdog counter</td> <td style="width: 33%;">Clock Type</td> </tr> <tr> <td><input type="checkbox"/> Enabled</td> <td><input type="checkbox"/> Standard</td> <td><input type="checkbox"/> Standard (/4)</td> </tr> <tr> <td><input type="checkbox"/> Disabled</td> <td><input type="checkbox"/> Hard Enabled</td> <td><input type="checkbox"/> PLL (/1)</td> </tr> <tr> <td></td> <td><input type="checkbox"/> Simple Counter</td> <td></td> </tr> </table> <p style="margin-top: 5px;">NOTE: Non 'A' version ROM devices of the TMS370 microcontrollers will have the "Low-power modes Enabled", "Divide-by-4" Clock, and "Standard" Watchdog options. See the <i>TMS370 Family User's Guide</i> (literature number SPNU127) or the <i>TMS370 Family Data Manual</i> (literature number SPNS014B).</p> </div> <p>PACKAGE TYPE</p> <table style="width: 100%; border-collapse: collapse;"> <tr> <td><input type="checkbox"/> 'N' 28-pin PDIP</td> <td><input type="checkbox"/> 'FN' 44-pin PLCC</td> </tr> <tr> <td><input type="checkbox"/> 'FN' 28-pin PLCC</td> <td><input type="checkbox"/> 'FN' 68-pin PLCC</td> </tr> <tr> <td><input type="checkbox"/> 'N' 40-pin PDIP</td> <td><input type="checkbox"/> 'NM' 64-pin PSDIP</td> </tr> <tr> <td><input type="checkbox"/> 'NJ' 40-pin PSDIP (formerly known as N2)</td> <td></td> </tr> </table> <p>BUS EXPANSION</p> <p><input type="checkbox"/> YES <input type="checkbox"/> NO</p>	Low Power Modes	Watchdog counter	Clock Type	<input type="checkbox"/> Enabled	<input type="checkbox"/> Standard	<input type="checkbox"/> Standard (/4)	<input type="checkbox"/> Disabled	<input type="checkbox"/> Hard Enabled	<input type="checkbox"/> PLL (/1)		<input type="checkbox"/> Simple Counter		<input type="checkbox"/> 'N' 28-pin PDIP	<input type="checkbox"/> 'FN' 44-pin PLCC	<input type="checkbox"/> 'FN' 28-pin PLCC	<input type="checkbox"/> 'FN' 68-pin PLCC	<input type="checkbox"/> 'N' 40-pin PDIP	<input type="checkbox"/> 'NM' 64-pin PSDIP	<input type="checkbox"/> 'NJ' 40-pin PSDIP (formerly known as N2)	
	MIN	TYP	MAX																																		
<input type="checkbox"/> External Drive (CLKIN)	_____	_____	_____																																		
<input type="checkbox"/> Crystal	_____	_____	_____																																		
<input type="checkbox"/> Ceramic Resonator	_____	_____	_____																																		
Low Power Modes	Watchdog counter	Clock Type																																			
<input type="checkbox"/> Enabled	<input type="checkbox"/> Standard	<input type="checkbox"/> Standard (/4)																																			
<input type="checkbox"/> Disabled	<input type="checkbox"/> Hard Enabled	<input type="checkbox"/> PLL (/1)																																			
	<input type="checkbox"/> Simple Counter																																				
<input type="checkbox"/> 'N' 28-pin PDIP	<input type="checkbox"/> 'FN' 44-pin PLCC																																				
<input type="checkbox"/> 'FN' 28-pin PLCC	<input type="checkbox"/> 'FN' 68-pin PLCC																																				
<input type="checkbox"/> 'N' 40-pin PDIP	<input type="checkbox"/> 'NM' 64-pin PSDIP																																				
<input type="checkbox"/> 'NJ' 40-pin PSDIP (formerly known as N2)																																					
<p>1. Customer: _____ Date: _____</p>	<p>2. TI: Field Sales: _____ Marketing: _____ Prod. Eng.: _____ Proto. Release: _____</p>																																				

Figure 8. Sample New Code Release Form



Table 17 is a collection of all the peripheral file frames used in the 'Cx32 (provided for a quick reference).

Table 17. Peripheral File Frame Compilation

System Configuration Registers									
PF	BIT 7	BIT 6	BIT 5	BIT 4	BIT 3	BIT 2	BIT 1	BIT 0	REG
P010	COLD START	OSC POWER	PF AUTO WAIT	OSC FLT FLAG	MC PIN WPO	MC PIN DATA	—	μP/μC MODE	SCCR0
P011	—	—	—	AUTO WAIT DISABLE	—	MEMORY DISABLE	—	—	SCCR1
P012	HALT / STANDBY	PWRDWN / IDLE	—	BUS STEST	CPU STEST	—	INT1 NMI	PRIVILEGE DISABLE	SCCR2
P013 to P016	Reserved								
P017	INT1 FLAG	INT1 PIN DATA	—	—	—	INT1 POLARITY	INT1 PRIORITY	INT1 ENABLE	INT1
P018	INT2 FLAG	INT2 PIN DATA	—	INT2 DATA DIR	INT2 DATA OUT	INT2 POLARITY	INT2 PRIORITY	INT2 ENABLE	INT2
P019	INT3 FLAG	INT3 PIN DATA	—	INT3 DATA DIR	INT3 DATA OUT	INT3 POLARITY	INT3 PRIORITY	INT3 ENABLE	INT3
P01A	BUSY	—	—	—	—	AP	W1W0	EXE	DEECTL
P01B	Reserved								
P01C	BUSY	VPPS	—	—	—	—	W0	EXE	EPCTLL
P01D to P01F	Reserved								
Digital Port Control Registers									
P020	Reserved								APORT1
P021	Port A Control Register 2 (must be 0)								APORT2
P022	Port A Data								ADATA
P023	Port A Direction								ADIR
P024 to P02B	Reserved								
P02C	Port D Control Register 1 (must be 0)		—	Port D Control Register 1 (must be 0)		—	—	—	DPORT1
P02D	Port D Control Register 2 (must be 0)†		—	Port D Control Register 2 (must be 0)†		—	—	—	DPORT2
P02E	Port D Data		—	Port D Data		—	—	—	DDATA
P02F	Port D Direction		—	Port D Direction		—	—	—	DDIR
PACT Module Register Memory Map									
P040	DEFTIM OVRFL INT ENA	DEFTIM OVRFL INT FLAG	CMD/DEF AREA ENA	FAST MODE SELECT	PACT PRESCALE SELECT3	PACT PRESCALE SELECT2	PACT PRESCALE SELECT1	PACT PRESCALE SELECT0	PACTSCR
P041	CMD/DEF AREA INT ENA	—	CMD/DEF AREA START BIT 5	CMD/DEF AREA START BIT 4	CMD/DEF AREA START BIT 3	CMD/DEF AREA START BIT 2	—	—	CDSTART

† To configure D3 as SYSCLK, set port D register 2 = 08h.

TMS370Cx32 8-BIT MICROCONTROLLER

SPNS015C – FEBRUARY 1990 – REVISED FEBRUARY 1997

Table 17. Peripheral File Frame Compilation (Continued)

PF	BIT 7	BIT 6	BIT 5	BIT 4	BIT 3	BIT 2	BIT 1	BIT 0	REG
PACT Module Register Memory Map (Continued)									
P042	—	CMD/DEF AREA END BIT 6	CMD/DEF AREA END BIT 5	CMD/DEF AREA END BIT 4	CMD/DEF AREA END BIT 3	CMD/DEF AREA END BIT 2	—	—	CDEND
P043	1	1	BUFFER POINTER BIT 5	BUFFER POINTER BIT 4	BUFFER POINTER BIT 3	BUFFER POINTER BIT 2	BUFFER POINTER BIT 1	—	BUFPTR
P044	Reserved								
P045	PACT RXRDY	PACT TXRDY	PACT PARITY	PACT FE	PACT SCI RX INT ENA	PACT SCI TX INT ENA	—	PACT SCI SW RESET	SCICTLP
P046	PACT RXDT7	PACT RXDT6	PACT RXDT5	PACT RXDT4	PACT RXDT3	PACT RXDT2	PACT RXDT1	PACT RXDT0	RXBUFP
P047	PACT TXDT7	PACT TXDT6	PACT TXDT5	PACT TXDT4	PACT TXDT3	PACT TXDT2	PACT TXDT1	PACT TXDT0	TXBUFP
P048	PACT OP8 STATE	PACT OP7 STATE	PACT OP6 STATE	PACT OP5 STATE	PACT OP4 STATE	PACT OP3 STATE	PACT OP2 STATE	PACT OP1 STATE	PSTATE
P049	CMD/DEF INT 7 FLAG	CMD/DEF INT 6 FLAG	CMD/DEF INT 5 FLAG	CMD/DEF INT 4 FLAG	CMD/DEF INT 3 FLAG	CMD/DEF INT 2 FLAG	CMD/DEF INT 1 FLAG	CMD/DEF INT 0 FLAG	CDFLAGS
P04A	CP2 INT ENA	CP2 INT FLAG	CP2 CAPT RISING EDGE	CP2 CAPT FALLING EDGE	CP1 INT ENA	CP1 INT FLAG	CP1 CAPT RISING EDGE	CP1 CAPT FALLING EDGE	CPCTL1
P04B	CP4 INT ENA	CP4 INT FLAG	CP4 CAPT RISING EDGE	CP4 CAPT FALLING EDGE	CP3 INT ENA	CP3 INT FLAG	CP3 CAPT RISING EDGE	CP3 CAPT FALLING EDGE	CPCTL2
P04C	CP6 INT ENA	CP6 INT FLAG	CP6 CAPT RISING EDGE	CP6 CAPT FALLING EDGE	CP5 INT ENA	CP5 INT FLAG	CP5 CAPT RISING EDGE	CP5 CAPT FALLING EDGE	CPCTL3
P04D	BUFFER HALF/FULL INT ENA	BUFFER HALF/FULL INT FLAG	INPUT CAPT PRESCALE SELECT 3	INPUT CAPT PRESCALE SELECT 2	INPUT CAPT PRESCALE SELECT 1	CP6 EVENT ONLY	EVENT COUNTER SW RESET	OP/ SET/CLR SELECT	CPPRE
P04E	WATCHDOG RESET KEY								WDRST
P04F	PACT STEST	PACT SUSPEND	PACT GROUP 1 PRIORITY	PACT GROUP 2 PRIORITY	PACT GROUP 3 PRIORITY	PACT MODE SELECT	PACT WD PRESCALE SELECT 1	PACT WD PRESCALE SELECT 0	PACTPRI
P070	CONVERT START	SAMPLE START	REF VOLT SELECT2	REF VOLT SELECT1	REF VOLT SELECT0	AD INPUT SELECT2	AD INPUT SELECT1	AD INPUT SELECT0	ADCTL
P071	—	—	—	—	—	AD READY	AD INT FLAG	AD INT ENA	ADSTAT
P072	A/D Conversion Data Register								ADDATA
P073 to P07C	Reserved								
P07D	Port E Data Input Register								ADIN
P07E	Port E Input Enable Register								ADENA
P07F	AD STEST	AD PRIORITY	AD ESPEN	—	—	—	—	—	ADPRI



absolute maximum ratings over operating free-air temperature range (unless otherwise noted)†

Supply voltage range, V_{CC1} (see Note 3)	–0.6 V to 7 V
Input voltage range, All pins except MC	–0.6 V to 7 V
MC	–0.6 V to 14 V
Input clamp current, I_{IK} ($V_I < 0$ or $V_I > V_{CC1}$)	±20 mA
Output clamp current, I_{OK} ($V_O < 0$ or $V_O > V_{CC1}$)	±20 mA
Continuous output current per buffer, I_O ($V_O = 0$ to V_{CC1}) (see Note 4)	±10 mA
Maximum I_{CC} current	170 mA
Maximum I_{SS} current	–170 mA
Continuous power dissipation	800 mW
Operating free-air temperature, T_A : L version	0°C to 70°C
A version	–40°C to 85°C
T version	–40°C to 105°C
Storage temperature range, T_{stg}	–65°C to 150°C

† Stresses beyond those listed under “absolute maximum ratings” may cause permanent damage to the device. These are stress ratings only, and functional operation of the device at these or any other conditions beyond those indicated under “recommended operating conditions” is not implied. Exposure to absolute-maximum-rated conditions for extended periods may affect device reliability.

NOTES: 3. Unless otherwise noted, all voltage values are with respect to V_{SS1} .

4. Electrical characteristics are specified with all output buffers loaded with specified I_O current. Exceeding the specified I_O current in any buffer can affect the levels on other buffers.

recommended operating conditions

		MIN	NOM	MAX	UNIT	
V_{CC1}	Supply voltage (see Note 3)	4.5	5	5.5	V	
	RAM data retention supply voltage (see Note 5)	3		5.5	V	
V_{CC3}	Analog supply voltage (see Note 3)	4.5	5	5.5	V	
V_{SS3}	Analog supply ground	–0.3	0	0.3	V	
V_{IL}	Low-level input voltage	All pins except MC		0.8	V	
		MC, normal operation	V_{SS1}	0.3	V	
V_{IH}	High-level input voltage	All pins except MC, XTAL2/CLKIN, and \overline{RESET}	2	V_{CC1}	V	
		XTAL2/CLKIN	0.8 V_{CC1}	V_{CC1}		
		\overline{RESET}	0.7 V_{CC1}	V_{CC1}		
V_{MC}	MC (mode control) voltage	EEPROM write protect override (WPO)	11.7	12	13	V
		EPROM programming voltage (V_{PP})	13	13.2	13.5	
		Microcomputer	V_{SS1}		0.3	
T_A	Operating free-air temperature	L version	0	70	°C	
		A version	–40	85		
		T version	–40	105		

NOTES: 3. Unless otherwise noted, all voltage values are with respect to V_{SS1} .

5. \overline{RESET} must be externally activated when V_{CC1} or SYSCLK is not within the recommended operating range.

TMS370Cx32

8-BIT MICROCONTROLLER

SPNS015C – FEBRUARY 1990 – REVISED FEBRUARY 1997

electrical characteristics over recommended operating free-air temperature range (unless otherwise noted)

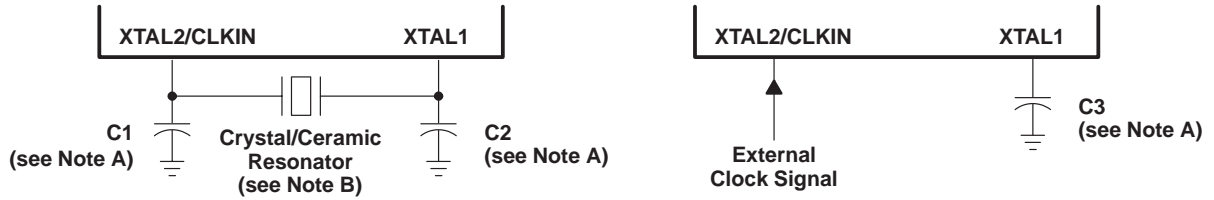
PARAMETER		TEST CONDITIONS	MIN	TYP	MAX	UNIT
V _{OL}	Low-level output voltage	I _{OL} = 1.4 mA			0.4	V
V _{OH}	High-level output voltage	I _{OH} = -50 μA	0.9 V _{CC1}			V
		I _{OH} = -2 mA	2.4			
I _I	Input current	MC	0 V ≤ V _I ≤ 0.3 V		10	μA
			0.3 V < V _I ≤ 13 V		650	
		I/O pins	12 V ≤ V _I ≤ 13 V†		50	mA
			0 V ≤ V _I ≤ V _{CC1}		± 10	
I _{OL}	Low-level output current	V _{OL} = 0.4 V	1.4			mA
I _{OH}	High-level output current	V _{OH} = 0.9 V _{CC1}	-50			μA
		V _{OH} = 2.4 V	-2			mA
I _{CC1}	Supply current (operating mode) OSC POWER bit = 0	See Notes 6 and 7 SYSCLK = 5 MHz		35	45	mA
		See Notes 6 and 7 SYSCLK = 3 MHz		25	35	
		See Notes 6 and 7 SYSCLK = 0.5 MHz		10	14	
	Supply current (STANDBY mode) OSC POWER bit = 0	See Notes 6 and 7 SYSCLK = 5 MHz		12	17	mA
		See Notes 6 and 7 SYSCLK = 3 MHz		8	13	
		See Notes 6 and 7 SYSCLK = 0.5 MHz		3	4	
	Supply current (STANDBY mode) OSC POWER bit = 1	See Notes 6 and 7 SYSCLK = 3 MHz		6	8.6	mA
		See Notes 6 and 7 SYSCLK = 0.5 MHz		2	3.0	
	Supply current (HALT mode)	See Note 6 XTAL2/CLKIN < 0.2 V		15	40	μA

† Input current I_{pp} will be a maximum of 50 mA only when programming EPROM.

NOTES: 6. Single chip mode, ports configured as inputs or outputs with no load. All inputs ≤ 0.2 V or ≥ V_{CC} - 0.2V.

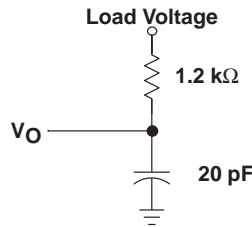
7. XTAL2/CLKIN is driven with an external square-wave signal with 50% duty cycle and rise and fall times less than 10 ns. Current can be higher with a crystal oscillator. At 5-MHz SYSCLK, this extra current = 0.01 mA x (total load capacitance + crystal capacitance in pF).





NOTES: A. The values of C1 and C2 are typically 15 pF and C3 value is typically 50 pF. See the manufacturer's recommendations for ceramic resonators.
B. The crystal/ceramic resonator frequency is four times the reciprocal of the system clock period.

Figure 9. Recommended Crystal/Clock Connections



Case 1: $V_O = V_{OH} = 2.4\text{ V}$; Load Voltage = 0 V
Case 2: $V_O = V_{OL} = 0.4\text{ V}$; Load Voltage = 2.1 V

NOTE A: All measurements are made with the pin loading as shown unless otherwise noted. All measurements are made with XTAL2/CLKIN driven by an external square wave signal with a 50% duty cycle and rise and fall times less than 10 ns unless otherwise stated.

Figure 10. Typical Output Load Circuit (See Note A)

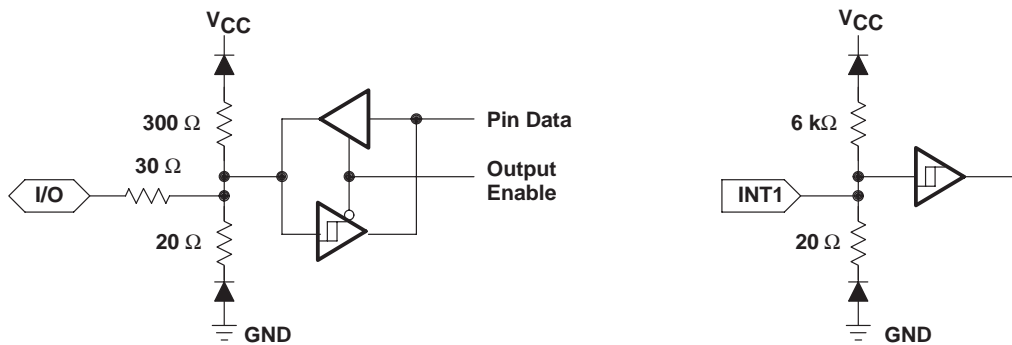


Figure 11. Typical Buffer Circuitry

TMS370Cx32 8-BIT MICROCONTROLLER

SPNS015C – FEBRUARY 1990 – REVISED FEBRUARY 1997

PARAMETER MEASUREMENT INFORMATION

timing parameter symbology

Timing parameter symbols have been created in accordance with JEDEC Standard 100. In order to shorten the symbols, some of the pin names and other related terminology have been abbreviated as follows:

AR	Array	PGM	Program
B	Byte	SC	SYSCLK
Cl	XTAL2/CLKIN		

Lowercase subscripts and their meanings are:

c	cycle time (period)	su	setup time
d	delay time	v	valid time
f	fall time	w	pulse duration (width)
r	rise time		

The following additional letters are used with these meanings:

H	High
L	Low
V	Valid

All timings are measured between high and low measurement points as indicated in Figure 12 and Figure 13.

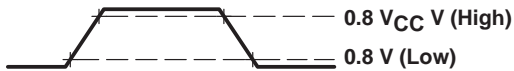


Figure 12. XTAL2/CLKIN Measurement Points

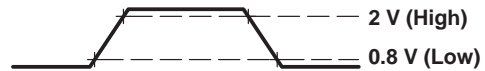


Figure 13. General Measurement Points

external clocking requirements for clock divided by 4 (see Note 8 and Figure 14)

NO.	PARAMETER	MIN	MAX	UNIT
1	$t_w(\text{Cl})$ Pulse duration, XTAL2/CLKIN (see Note 9)	20		ns
2	$t_r(\text{Cl})$ Rise time, XTAL2/CLKIN		30	ns
3	$t_f(\text{Cl})$ Fall time, XTAL2/CLKIN		30	ns
4	$t_d(\text{ClH-SCL})$ Delay time, XTAL2/CLKIN rise to SYSCLK fall		100	ns
	CLKIN Crystal operating frequency	2	20	MHz
	SYSCLK Internal system clock operating frequency [†]	0.5	5	MHz

[†] SYSCLK = CLKIN/4

NOTES: 8. For V_{IL} and V_{IH} , refer to recommended operating conditions.

9. This pulse may be either a high pulse, as illustrated below, which extends from the earliest valid high to the final valid high in an XTAL2/CLKIN cycle or a low pulse, which extends from the earliest valid low to the final valid low in an XTAL2/CLKIN cycle.

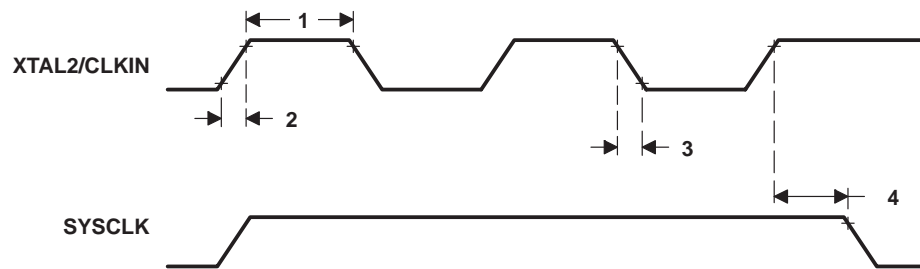


Figure 14. External Clock Timing for Divide-by-4

external clocking requirements for clock divided by 1 (PLL) (see Note 8 and Figure 15)

NO.	PARAMETER	MIN	MAX	UNIT
1	$t_w(\text{Cl})$ Pulse duration, XTAL2/CLKIN (see Note 9)	20		ns
2	$t_r(\text{Cl})$ Rise time, XTAL2/CLKIN		30	ns
3	$t_f(\text{Cl})$ Fall time, XTAL2/CLKIN		30	ns
4	$t_d(\text{ClH-SCH})$ Delay time, XTAL2/CLKIN rise to SYSCLK rise		100	ns
	CLKIN Crystal operating frequency	2	5	MHz
	SYSCLK Internal system clock operating frequency [‡]	2	5	MHz

[‡] SYSCLK = CLKIN/1

NOTES: 8. For V_{IL} and V_{IH} , refer to recommended operating conditions.

9. This pulse can be either a high pulse, as illustrated below, which extends from the earliest valid high to the final valid high in an XTAL2/CLKIN cycle or a low pulse, which extends from the earliest valid low to the final valid low in an XTAL2/CLKIN cycle.

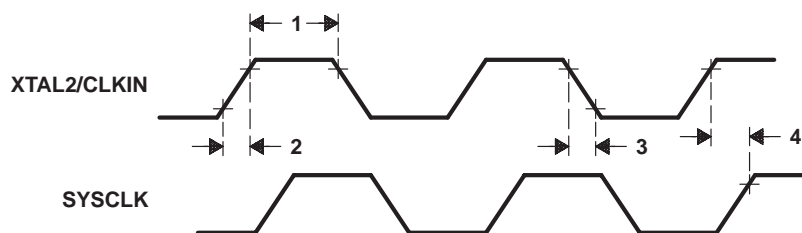


Figure 15. External Clock Timing for Divide-by-1

TMS370Cx32

8-BIT MICROCONTROLLER

SPNS015C – FEBRUARY 1990 – REVISED FEBRUARY 1997

switching characteristics and timing requirements (see Note 10 and Figure 16)

NO.	PARAMETER		MIN	MAX	UNIT	
5	t_c	Cycle time, SYSCLK (system clock)	Divide-by-4	200	2000	ns
			Divide-by-1	200	500	
6	$t_w(SCL)$	Pulse duration, SYSCLK low	$0.5 t_c - 20$	$0.5 t_c$	ns	
7	$t_w(SCH)$	Pulse duration, SYSCLK high	$0.5 t_c$	$0.5 t_c + 20$	ns	

NOTE 10: t_c = system clock cycle time = 1/SYSCLK

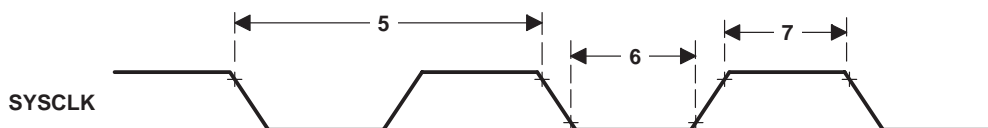


Figure 16. SYSCLK Timing

general purpose output signal switching time requirements (see Figure 17)

	MIN	NOM	MAX	UNIT
t_r Rise time		30		ns
t_f Fall time		30		ns

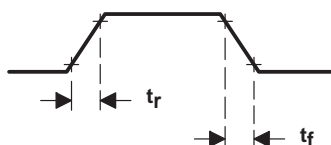


Figure 17. Signal Switching Timing

recommended EEPROM timing requirements for programming

	MIN	MAX	UNIT
$t_w(PGM)B$ Pulse duration, programming signal to ensure valid data is stored (byte mode)	10		ms
$t_w(PGM)AR$ Pulse duration, programming signal to ensure valid data is stored (array mode)	20		ms

recommended EPROM operating conditions for programming

	MIN	NOM	MAX	UNIT
V_{CC} Supply voltage	4.75	5.5	6	V
V_{PP} Supply voltage at MC pin	13	13.2	13.5	V
I_{PP} Supply current at MC pin during programming ($V_{PP} = 13$ V)		30	50	mA
SYSCLK System clock	Divide-by-4	0.5	5	MHz
	Divide-by-1	2	5	

recommended EPROM timing requirements for programming

	MIN	NOM	MAX	UNIT
$t_w(EPGM)$ Pulse duration, programming signal (see Note 11)	0.40	0.50	3	ms

NOTE 11: Programming pulse is active when both EXE (EPCTL.0) and V_{PPS} (EPCTL.6) are set.



ADC1 converter

The ADC1 converter has a separate power bus for its analog circuitry. These pins are referred to as V_{CC3} and V_{SS3} . The purpose is to enhance ADC1 performance by preventing digital switching noise of the logic circuitry that can be present on V_{SS1} and V_{CC1} from coupling into the ADC1 analog stage. All ADC1 specifications are given with respect to V_{SS3} unless otherwise noted.

Resolution 8-bits (256 values)
 Monotonic Yes
 Output conversion mode 00h to FFh (00 for $V_I \leq V_{SS3}$; FF for $V_I \leq V_{ref}$)
 Conversion time (excluding sample time) $164 t_c$

recommended operating conditions

	MIN	NOM	MAX	UNIT
V_{CC3} Analog supply voltage	4.5	5	5.5	V
	$V_{CC1}-0.3$		$V_{CC1}+0.3$	
V_{SS3} Analog ground	$V_{SS1}-0.3$		$V_{SS1}+0.3$	V
V_{ref} Non- V_{CC3} reference†	2.5	V_{CC3}	$V_{CC3} + 0.1$	V
Analog input for conversion	V_{SS3}		V_{ref}	V

† V_{ref} must be stable, within $\pm 1/2$ LSB of the required resolution, during the entire conversion time.

operating characteristics over recommended ranges operating conditions

PARAMETER		MIN	MAX	UNIT
Absolute accuracy‡	$V_{CC3} = 5.5$ V $V_{ref} = 5.1$ V		± 1.5	LSB
Differential/integral linearity error‡§	$V_{CC3} = 5.5$ V $V_{ref} = 5.1$ V		± 0.9	LSB
I_{CC3} Analog supply current	Converting		2	mA
	Nonconverting		5	μ A
I_I Input current, AN0–AN7	0 V $\leq V_I \leq 5.5$ V		2	μ A
I_{ref} Input charge current			1	mA
Z_{ref} Source impedance of V_{ref}	$SYSCLK \leq 3$ MHz		24	k Ω
	3 MHz $< SYSCLK \leq 5$ MHz		10	k Ω

‡ Absolute resolution = 20 mV. At $V_{ref} = 5$ V, this is one LSB. As V_{ref} decreases, LSB size decreases; therefore, the absolute accuracy and differential/integral linearity errors in terms of LSBs increase.

§ Excluding quantization error of 1/2 LSB

TMS370Cx32 8-BIT MICROCONTROLLER

SPNS015C – FEBRUARY 1990 – REVISED FEBRUARY 1997

ADC1 converter (continued)

The ADC1 module allows complete freedom in design of the sources for the analog inputs. The period of the sample time is user-defined so that the high-impedance can be accommodated without penalty to the low-impedance sources. The sample period begins when the SAMPLE START bit of the ADC1 control register (ADCTL.6) is set to 1. The end of the signal sample period occurs when the conversion bit (CONVERT START, ADCTL.7) is set to 1. After a hold time, the converter will reset the SAMPLE START and CONVERT START bits, signaling that a conversion has started and that the analog signal can be removed.

analog timing requirements (see Figure 18)

		MIN	MAX	UNIT
$t_{su}(S)$	Setup time, analog to sample command	0		ns
$t_h(AN)$	Hold time, analog input from start of conversion	$18t_C$		ns
$t_w(S)$	Pulse duration, sample time per kilo- Ω of source impedance [†]	1		$\mu s/k\Omega$

[†] The value given is valid for a signal with a source impedance > 1 k Ω . If the source impedance is < 1 k Ω , use a minimum sampling time of 1 μs .

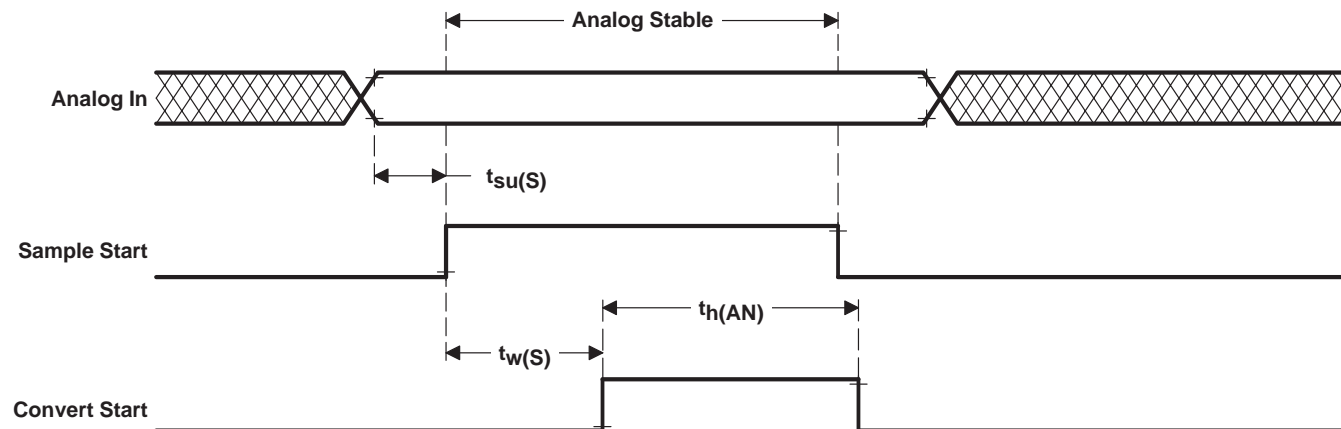


Figure 18. Analog Timing

Table 18 is designed to aid the user in referencing a device part number to a mechanical drawing. The table shows a cross-reference of the device part number to the TMS370 generic package name and the associated mechanical drawing by drawing number and name.

Table 18. TMS370Cx32 Family Package Type and Mechanical Cross-Reference

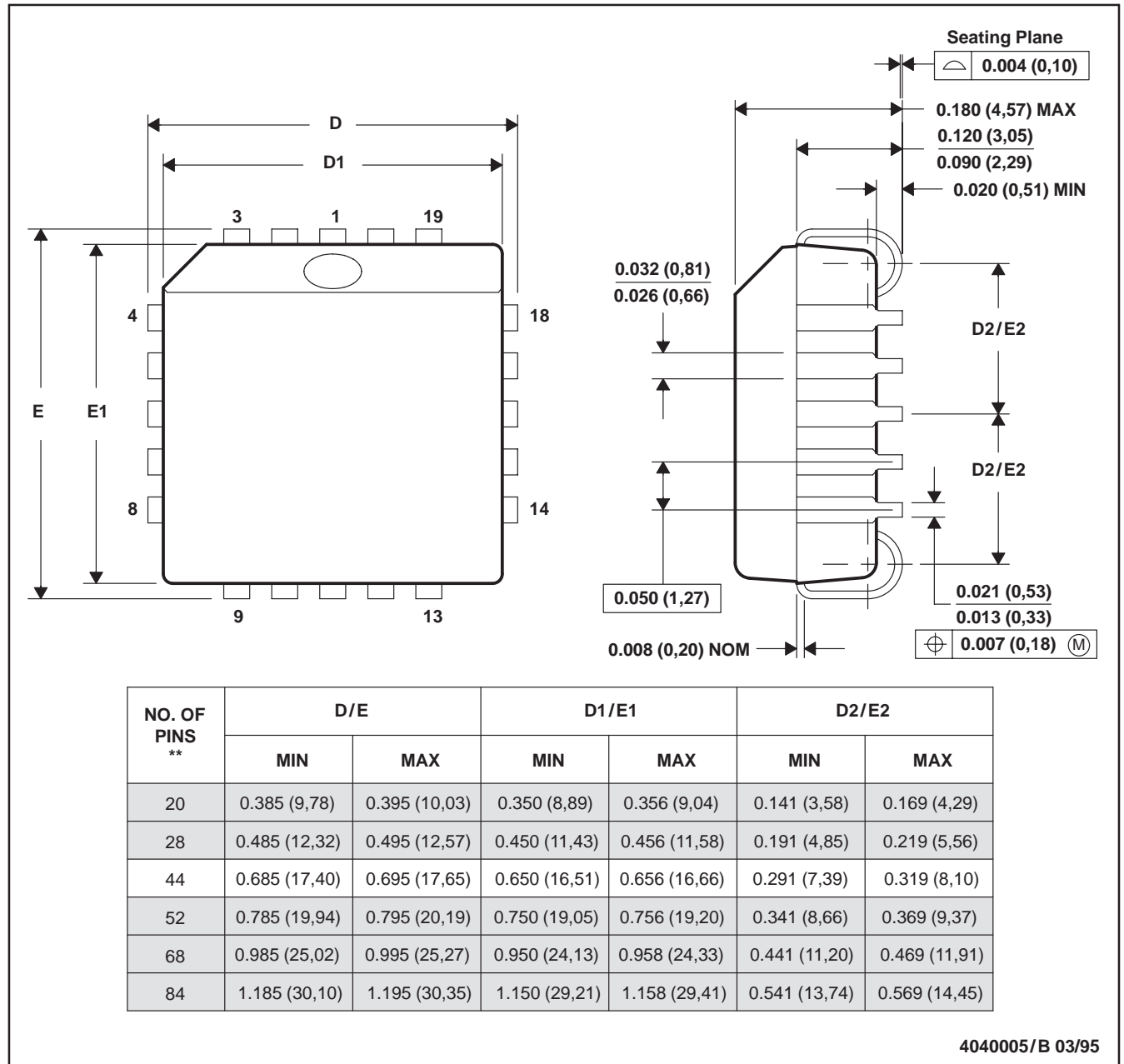
PKG TYPE (mil pin spacing)	TMS370 GENERIC NAME	PKG TYPE NO. AND MECHANICAL NAME	DEVICE PART NUMBERS
FN – 44 pin (50-mil pin spacing)	PLASTIC LEADED CHIP CARRIER (PLCC)	FN(S-PQCC-J**) PLASTIC J-LEADED CHIP CARRIER	TMS370C032AFNA TMS370C032AFNL TMS370C032AFNT TMS370C332AFNA TMS370C332AFNL TMS370C332AFNT TMS370C732AFNT
FZ – 44 pin (50-mil pin spacing)	CERAMIC LEADED CHIP CARRIER (CLCC)	FZ(S-CQCC-J**) J-LEADED CERAMIC CHIP CARRIER	SE370C732AFZT

MECHANICAL DATA

FN (S-PQCC-J**)

PLASTIC J-LEADED CHIP CARRIER

20 PIN SHOWN



- NOTES: A. All linear dimensions are in inches (millimeters).
 B. This drawing is subject to change without notice.
 C. Falls within JEDEC MS-018

TMS370Cx32 8-BIT MICROCONTROLLER

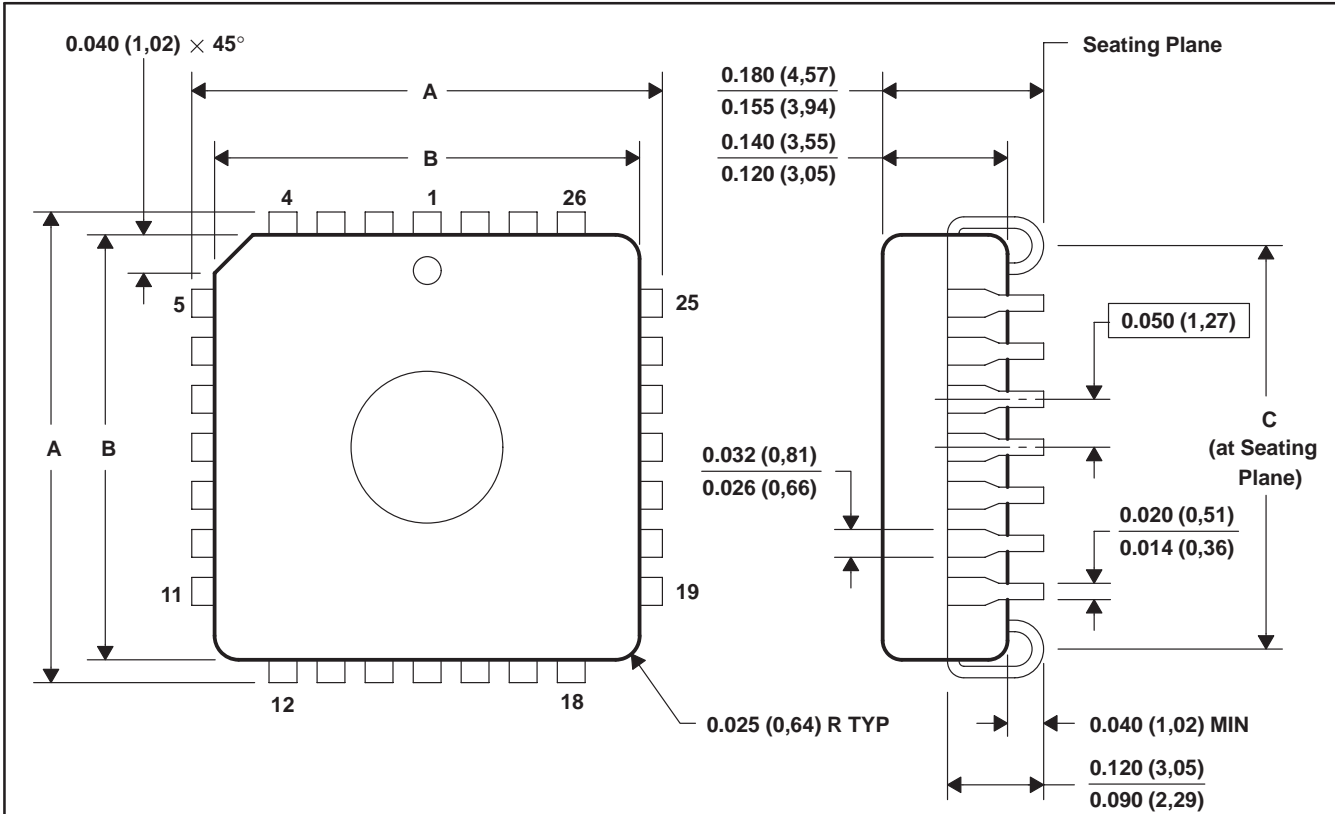
SPNS015C – FEBRUARY 1990 – REVISED FEBRUARY 1997

MECHANICAL DATA

FZ (S-CQCC-J**)

J-LEADED CERAMIC CHIP CARRIER

28 LEAD SHOWN



JEDEC OUTLINE	NO. OF PINS**	A		B		C	
		MIN	MAX	MIN	MAX	MIN	MAX
MO-087AA	28	0.485 (12,32)	0.495 (12,57)	0.430 (10,92)	0.455 (11,56)	0.410 (10,41)	0.430 (10,92)
MO-087AB	44	0.685 (17,40)	0.695 (17,65)	0.630 (16,00)	0.655 (16,64)	0.610 (15,49)	0.630 (16,00)
MO-087AC	52	0.785 (19,94)	0.795 (20,19)	0.730 (18,54)	0.765 (19,43)	0.680 (17,28)	0.740 (18,79)
MO-087AD	68	0.985 (25,02)	0.995 (25,27)	0.930 (23,62)	0.955 (24,26)	0.910 (23,11)	0.930 (23,62)

4040219/B 03/95

- NOTES: A. All linear dimensions are in inches (millimeters).
 B. This drawing is subject to change without notice.
 C. This package can be hermetically sealed with a ceramic lid using glass frit.

PACKAGING INFORMATION

Orderable Device	Status ⁽¹⁾	Package Type	Package Drawing	Pins	Package Qty	Eco Plan ⁽²⁾	Lead/Ball Finish	MSL Peak Temp ⁽³⁾
SE370C732AFZT	OBSOLETE	JLCC	FZ	44		TBD	Call TI	Call TI

⁽¹⁾ The marketing status values are defined as follows:

ACTIVE: Product device recommended for new designs.

LIFEBUY: TI has announced that the device will be discontinued, and a lifetime-buy period is in effect.

NRND: Not recommended for new designs. Device is in production to support existing customers, but TI does not recommend using this part in a new design.

PREVIEW: Device has been announced but is not in production. Samples may or may not be available.

OBSOLETE: TI has discontinued the production of the device.

⁽²⁾ Eco Plan - The planned eco-friendly classification: Pb-Free (RoHS), Pb-Free (RoHS Exempt), or Green (RoHS & no Sb/Br) - please check <http://www.ti.com/productcontent> for the latest availability information and additional product content details.

TBD: The Pb-Free/Green conversion plan has not been defined.

Pb-Free (RoHS): TI's terms "Lead-Free" or "Pb-Free" mean semiconductor products that are compatible with the current RoHS requirements for all 6 substances, including the requirement that lead not exceed 0.1% by weight in homogeneous materials. Where designed to be soldered at high temperatures, TI Pb-Free products are suitable for use in specified lead-free processes.

Pb-Free (RoHS Exempt): This component has a RoHS exemption for either 1) lead-based flip-chip solder bumps used between the die and package, or 2) lead-based die adhesive used between the die and leadframe. The component is otherwise considered Pb-Free (RoHS compatible) as defined above.

Green (RoHS & no Sb/Br): TI defines "Green" to mean Pb-Free (RoHS compatible), and free of Bromine (Br) and Antimony (Sb) based flame retardants (Br or Sb do not exceed 0.1% by weight in homogeneous material)

⁽³⁾ MSL, Peak Temp. -- The Moisture Sensitivity Level rating according to the JEDEC industry standard classifications, and peak solder temperature.

Important Information and Disclaimer:The information provided on this page represents TI's knowledge and belief as of the date that it is provided. TI bases its knowledge and belief on information provided by third parties, and makes no representation or warranty as to the accuracy of such information. Efforts are underway to better integrate information from third parties. TI has taken and continues to take reasonable steps to provide representative and accurate information but may not have conducted destructive testing or chemical analysis on incoming materials and chemicals. TI and TI suppliers consider certain information to be proprietary, and thus CAS numbers and other limited information may not be available for release.

In no event shall TI's liability arising out of such information exceed the total purchase price of the TI part(s) at issue in this document sold by TI to Customer on an annual basis.

IMPORTANT NOTICE

Texas Instruments Incorporated and its subsidiaries (TI) reserve the right to make corrections, modifications, enhancements, improvements, and other changes to its products and services at any time and to discontinue any product or service without notice. Customers should obtain the latest relevant information before placing orders and should verify that such information is current and complete. All products are sold subject to TI's terms and conditions of sale supplied at the time of order acknowledgment.

TI warrants performance of its hardware products to the specifications applicable at the time of sale in accordance with TI's standard warranty. Testing and other quality control techniques are used to the extent TI deems necessary to support this warranty. Except where mandated by government requirements, testing of all parameters of each product is not necessarily performed.

TI assumes no liability for applications assistance or customer product design. Customers are responsible for their products and applications using TI components. To minimize the risks associated with customer products and applications, customers should provide adequate design and operating safeguards.

TI does not warrant or represent that any license, either express or implied, is granted under any TI patent right, copyright, mask work right, or other TI intellectual property right relating to any combination, machine, or process in which TI products or services are used. Information published by TI regarding third-party products or services does not constitute a license from TI to use such products or services or a warranty or endorsement thereof. Use of such information may require a license from a third party under the patents or other intellectual property of the third party, or a license from TI under the patents or other intellectual property of TI.

Reproduction of TI information in TI data books or data sheets is permissible only if reproduction is without alteration and is accompanied by all associated warranties, conditions, limitations, and notices. Reproduction of this information with alteration is an unfair and deceptive business practice. TI is not responsible or liable for such altered documentation. Information of third parties may be subject to additional restrictions.

Resale of TI products or services with statements different from or beyond the parameters stated by TI for that product or service voids all express and any implied warranties for the associated TI product or service and is an unfair and deceptive business practice. TI is not responsible or liable for any such statements.

TI products are not authorized for use in safety-critical applications (such as life support) where a failure of the TI product would reasonably be expected to cause severe personal injury or death, unless officers of the parties have executed an agreement specifically governing such use. Buyers represent that they have all necessary expertise in the safety and regulatory ramifications of their applications, and acknowledge and agree that they are solely responsible for all legal, regulatory and safety-related requirements concerning their products and any use of TI products in such safety-critical applications, notwithstanding any applications-related information or support that may be provided by TI. Further, Buyers must fully indemnify TI and its representatives against any damages arising out of the use of TI products in such safety-critical applications.

TI products are neither designed nor intended for use in military/aerospace applications or environments unless the TI products are specifically designated by TI as military-grade or "enhanced plastic." Only products designated by TI as military-grade meet military specifications. Buyers acknowledge and agree that any such use of TI products which TI has not designated as military-grade is solely at the Buyer's risk, and that they are solely responsible for compliance with all legal and regulatory requirements in connection with such use.

TI products are neither designed nor intended for use in automotive applications or environments unless the specific TI products are designated by TI as compliant with ISO/TS 16949 requirements. Buyers acknowledge and agree that, if they use any non-designated products in automotive applications, TI will not be responsible for any failure to meet such requirements.

Following are URLs where you can obtain information on other Texas Instruments products and application solutions:

Products

Amplifiers	amplifier.ti.com
Data Converters	dataconverter.ti.com
DLP® Products	www.dlp.com
DSP	dsp.ti.com
Clocks and Timers	www.ti.com/clocks
Interface	interface.ti.com
Logic	logic.ti.com
Power Mgmt	power.ti.com
Microcontrollers	microcontroller.ti.com
RFID	www.ti-rfid.com
RF/IF and ZigBee® Solutions	www.ti.com/lprf

Applications

Audio	www.ti.com/audio
Automotive	www.ti.com/automotive
Broadband	www.ti.com/broadband
Digital Control	www.ti.com/digitalcontrol
Medical	www.ti.com/medical
Military	www.ti.com/military
Optical Networking	www.ti.com/opticalnetwork
Security	www.ti.com/security
Telephony	www.ti.com/telephony
Video & Imaging	www.ti.com/video
Wireless	www.ti.com/wireless

Mailing Address: Texas Instruments, Post Office Box 655303, Dallas, Texas 75265
Copyright © 2009, Texas Instruments Incorporated