

TMS470R1VF48C/VF48B 16/32-BIT RISC FLASH MICROCONTROLLERS

SPNS093D – MAY 2004 – REVISED FEBRUARY 2006

- High-Performance Static CMOS Technology
- TMS470R1x 16/32-Bit RISC Core (ARM7TDMI™)
 - 60-MHz System Clock (Pipeline Mode)
 - Independent 16/32-Bit Instruction Set
 - Open Architecture With Third-Party Support
 - Built-In Debug Module
- Integrated Memory (VF48C only)
 - 1M-Byte Program Flash
 - Two Banks With 16 Contiguous Sectors
 - 64K-Byte Static RAM (SRAM)
 - Memory Security Module (MSM)
 - JTAG Security Module
- Integrated Memory (VF48B only)
 - 768K-Byte Program Flash
 - Two Banks With 12 Contiguous Sectors
 - 48K-Byte Static RAM (SRAM)
 - Memory Security Module (MSM)
 - JTAG Security Module
- Operating Features
 - Low-Power Modes: STANDBY and HALT
 - Industrial/Automotive Temperature Ranges
- 470+ System Module
 - 32-Bit Address Space Decoding
 - Bus Supervision for Memory/Peripherals
 - Digital Watchdog (DWD) Timer
 - Analog Watchdog (AWD) Timer
 - Enhanced Real-Time Interrupt (RTI)
 - Interrupt Expansion Module (IEM)
 - System Integrity and Failure Detection
 - ICE Breaker
- Direct Memory Access (DMA) Controller
 - 32 Control Packets and 16 Channels
- Frequency-Modulated Zero-Pin Phase-Locked Loop (FM₂PLL)-Based Clock Module With Prescaler
 - Multiply-by-8 Internal FM₂PLL Option
 - ZPLL Bypass Mode
- Twelve Communication Interfaces:
 - Two Serial Peripheral Interfaces (SPIs)
 - 255 Programmable Baud Rates
 - Three Serial Communication Interfaces (SCIs)
 - 2²⁴ Selectable Baud Rates
 - Asynchronous/Isosynchronous Modes
 - Two High-End CAN Controllers (HECC)
 - 32-Mailbox Capacity
 - Fully Compliant With CAN Protocol, Version 2.0B
 - Five Inter-Integrated Circuit (I2C) Modules
 - Multi-Master and Slave Interfaces
 - Up to 400 Kbps (Fast Mode)
 - 7- and 10-Bit Address Capability
 - High-End Timer Lite (HET)
 - 12 Programmable I/O Channels:
 - 12 High-Resolution Pins
 - High-Resolution Share Feature (XOR)
 - High-End Timer RAM
 - 64-Instruction Capacity
 - External Clock Prescale (ECP) Module
 - Programmable Low-Frequency External Clock (CLK)
 - 12-Channel 10-Bit Multi-Buffered ADC (MibADC)
 - 64-Word FIFO Buffer
 - Single- or Continuous-Conversion Modes
 - 1.55 μs Minimum Sample and Conversion Time
 - Calibration Mode and Self-Test Features
 - Flexible Interrupt Handling
 - Expansion Bus Module (EBM)
 - Supports 8- and 16-Bit Expansion Bus Memory Interface Mappings
 - 42 I/O Expansion Bus Pins
 - 46 Dedicated General-Purpose I/O (GIO) Pins and 47 Additional Peripheral I/Os
 - Sixteen External Interrupts
 - Compatible ROM Device (Planned)
 - On-Chip Scan-Base Emulation Logic, IEEE Standard 1149.1⁽¹⁾ (JTAG) Test-Access Port
 - 144-Pin Plastic Low-Profile Quad Flatpack (PGE Suffix)
 - Development System Support Tools Available
 - Code Composer Studio™ Integrated Development Environment (IDE)
 - HET Assembler and Simulator
 - Real-Time In-Circuit Emulation
 - Flash Programming



Please be aware that an important notice concerning availability, standard warranty, and use in critical applications of Texas Instruments semiconductor products and disclaimers thereto appears at the end of this data sheet.

Code Composer Studio is a trademark of Texas Instruments.
ARM7TDMI is a trademark of Advanced RISC Machines Limited (ARM).

All trademarks are the property of their respective owners.

1 The test-access port is compatible with the IEEE Standard 1149.1-1990, *IEEE Standard Test-Access Port and Boundary Scan Architecture* specification. Boundary scan is not supported on this device.

PRODUCTION DATA information is current as of publication date. Products conform to specifications per the Texas Instruments standard warranty. Production processing does not necessarily include testing of all parameters.

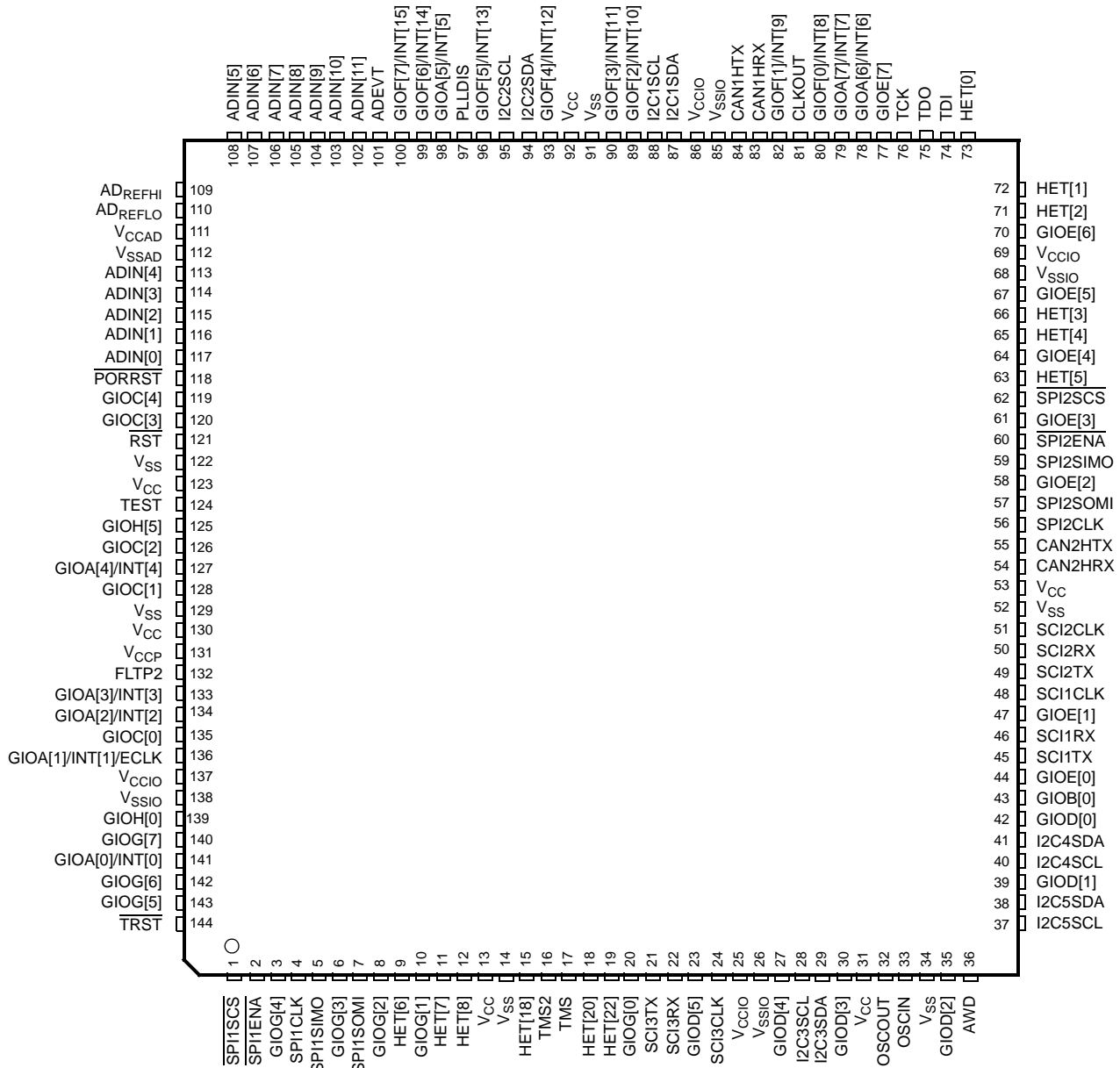


Copyright © 2006, Texas Instruments Incorporated

TMS470R1VF48C/VF48B 16/32-BIT RISC FLASH MICROCONTROLLERS

SPNS093D – MAY 2004 – REVISED FEBRUARY 2006

TMS470R1VF48C/TMS470R1VF48B 144-PIN PGE PACKAGE (TOP VIEW)



description

The VF48x⁽²⁾ devices are members of the Texas Instruments TMS470R1x family of general-purpose 16/32-bit reduced instruction set computer (RISC) devices. The VF48x microcontroller offers high performance utilizing the high-speed ARM7TDMI 16/32-bit RISC central processing unit (CPU), resulting in a high instruction throughput while maintaining greater code efficiency. The ARM7TDMI 16/32-bit RISC CPU views memory as a linear collection of bytes numbered upwards from zero. The VF48x uses the big-endian format where the most significant byte of a word is stored at the lowest numbered byte and the least significant byte at the highest numbered byte.

High-end embedded control applications demand more performance from their controllers while maintaining low costs. The VF48x RISC core architecture offers solutions to these performance and cost demands while maintaining low power consumption.

The VF48x devices contain the following:

- ARM7TDMI 16/32-Bit RISC CPU
- TMS470R1x system module (SYS) with 470+ enhancements
- 1M-byte flash (VF48C only)
- 768K-byte flash (VF48B only)
- 64K-byte SRAM (VF48C only)
- 48K-byte SRAM (VF48B only)
- Frequency-modulated zero-pin phase-locked loop (FM_ZPLL) clock module
- Digital watchdog (DWD) timer
- Analog watchdog (AWD) timer
- Enhanced real-time interrupt (RTI) module
- Interrupt expansion module (IEM)
- Memory security module (MSM)
- JTAG security module
- Two serial peripheral interface (SPI) modules
- Three serial communications interface (SCI) modules
- Two high-end CAN controllers (HECC)
- Five inter-integrated circuit (I2C) modules
- 10-bit multi-buffered analog-to-digital converter (MibADC), with 12 input channels
- High-end timer lite (HET) controlling 12 I/Os
- External Clock Prescale (ECP)
- Expansion Bus Module (EBM)
- Up to 93 I/O pins

The functions performed by the 470+ system module (SYS) include:

- Address decoding
- Memory protection
- Memory and peripherals bus supervision
- Reset and abort exception management
- Prioritization for all internal interrupt sources
- Device clock control
- Parallel signature analysis (PSA)

The enhanced real-time interrupt (RTI) module on the VF48x has the option to be driven by the oscillator clock. The digital watchdog (DWD) is a 25-bit resettable decremting counter that provides a system reset when the watchdog counter expires. This data sheet includes device-specific information such as memory and peripheral select assignment, interrupt priority, and a device memory map. For a more detailed functional description of the SYS module, see the *TMS470R1x System Module Reference Guide* (literature number SPNU189).

2 Throughout the remainder of this document, the TMS470R1VF48C and TMS740R1VF48B device names, where generic, will be referred to as either VF48C/VF48B or VF48x; and where unique, by either the full device name or VF48C or VF48B.

TMS470R1VF48C/VF48B

16/32-BIT RISC FLASH MICROCONTROLLERS

SPNS093D – MAY 2004 – REVISED FEBRUARY 2006

description (continued)

The VF48x memory includes general-purpose SRAM supporting single-cycle read/write accesses in byte, half-word, and word modes.

The flash memory on this device is a nonvolatile, electrically erasable and programmable memory implemented with a 32-bit-wide data bus interface. The flash operates with a system clock frequency of up to 24 MHz. When in pipeline mode, the flash operates with a system clock frequency of up to 60 MHz. For more detailed information on the flash, see the flash section of this data sheet and the *TMS470R1x F05 Flash Reference Guide* (literature number SPNU213).

The memory security module (MSM) and the JTAG security module prevent unauthorized access and visibility to on-chip memory, thereby preventing reverse engineering or manipulation of proprietary code. For more detailed information, see the *TMS470R1x Memory Security Module Reference Guide* (literature number SPNU246) and the *TMS470R1x JTAG Security Module Reference Guide* (literature number SPNU245).

The VF48x device has twelve communication interfaces: two SPIs, three SCIs, two HECCs, and five I2Cs. The SPI provides a convenient method of serial interaction for high-speed communications between similar shift-register type devices. The SCI is a full-duplex, serial I/O interface intended for asynchronous communication between the CPU and other peripherals using the standard non-return-to-zero (NRZ) format. The HECC uses a serial, multimaster communication protocol that efficiently supports distributed real-time control with robust communication rates of up to 1 megabit per second (Mbps). These CAN peripherals are ideal for applications operating in noisy and harsh environments (e.g., automotive and industrial fields) that require reliable serial communication or multiplexed wiring. The I2C module is a multi-master communication module providing an interface between the VF48x microcontroller and an I2C-compatible device via the I2C serial bus. The I2C supports both 100 Kbps and 400 Kbps speeds. For more detailed functional information on the SPI, SCI, and CAN peripherals, see the specific reference guides (literature numbers SPNU195, SPNU196, and SPNU197). For more detailed functional information on the I2C, see the *TMS470R1x Inter-Integrated Circuit (I2C) Reference Guide* (literature number SPNU223).

The HET is an advanced intelligent timer that provides sophisticated timing functions for real-time applications. The timer is software-controlled, using a reduced instruction set, with a specialized timer micromachine and an attached I/O port. The HET can be used for compare, capture, or general-purpose I/O. It is especially well suited for applications requiring multiple sensor information and drive actuators with complex and accurate time pulses. The HET used in this device is the high-end timer lite. It has fewer I/Os than the usual 32 in a standard HET. For more detailed functional information on the HET, see the *TMS470R1x High-End Timer (HET) Reference Guide* (literature number SPNU199). The VF48x HET peripheral contains the XOR-share feature. This feature allows two adjacent HET high-resolution channels to be XORed together, making it possible to output smaller pulses than a standard HET. For more detailed information on the HET XOR-share feature, see the *TMS470R1x High-End Timer (HET) Reference Guide* (literature number SPNU199).

The VF48x device has one 10-bit-resolution, sample-and-hold MibADC. Each of the MibADC channels can be converted individually or can be grouped by software for sequential conversion sequences. There are three separate groupings, two of which can be triggered by an external event. Each sequence can be converted once when triggered or configured for continuous conversion mode. For more detailed functional information on the MibADC, see the *TMS470R1x Multi-Buffered Analog-to-Digital Converter (MibADC) Reference Guide* (literature number SPNU206).

description (continued)

The frequency-modulated zero-pin phase-locked loop (FM_ZPLL) clock module contains a phase-locked loop, a clock-monitor circuit, a clock-enable circuit, and a prescaler (with prescale values of 1–8). The function of the FM_ZPLL is to multiply the external frequency reference to a higher frequency for internal use. The FM_ZPLL provides ACLK to the system (SYS) module. The SYS module subsequently provides system clock (SYSCLK), real-time interrupt clock (RTICK), CPU clock (MCLK), and peripheral interface clock (ICK) to all other VF48x device modules. For more detailed functional information on the FM_ZPLL, see the *TMS470R1x Frequency-Modulated Phase-Locked Loop (FMPLL) Clock Module Reference Guide* (literature number SPNU221).

NOTE

ACLK should not be confused with the MibADC internal clock, ADCLK. ACLK is the continuous system clock from an external resonator/crystal reference.

The expansion bus module (EBM) is a standalone module that supports the multiplexing of the GIO functions and the expansion bus interface. For more information on the EBM, see the *TMS470R1x Expansion Bus Module (EBM) Reference Guide* (literature number SPNU222).

The VF48x device also has an external clock prescaler (ECP) module that when enabled, outputs a continuous external clock (ECLK) on a specified GIO pin. The ECLK frequency is a user-programmable ratio of the peripheral interface clock (ICK) frequency. For more detailed functional information on the ECP, see the *TMS470R1x External Clock Prescaler (ECP) Reference Guide* (literature number SPNU202).

TMS470R1VF48C/VF48B

16/32-BIT RISC FLASH MICROCONTROLLERS

SPNS093D – MAY 2004 – REVISED FEBRUARY 2006

device characteristics

The VF48x device is a derivative of the F05 system emulation device SE470R1VB8AD. Table 1 identifies all the characteristics of the VF48x device except the SYSTEM and CPU, which are generic.

Table 1. Device Characteristics

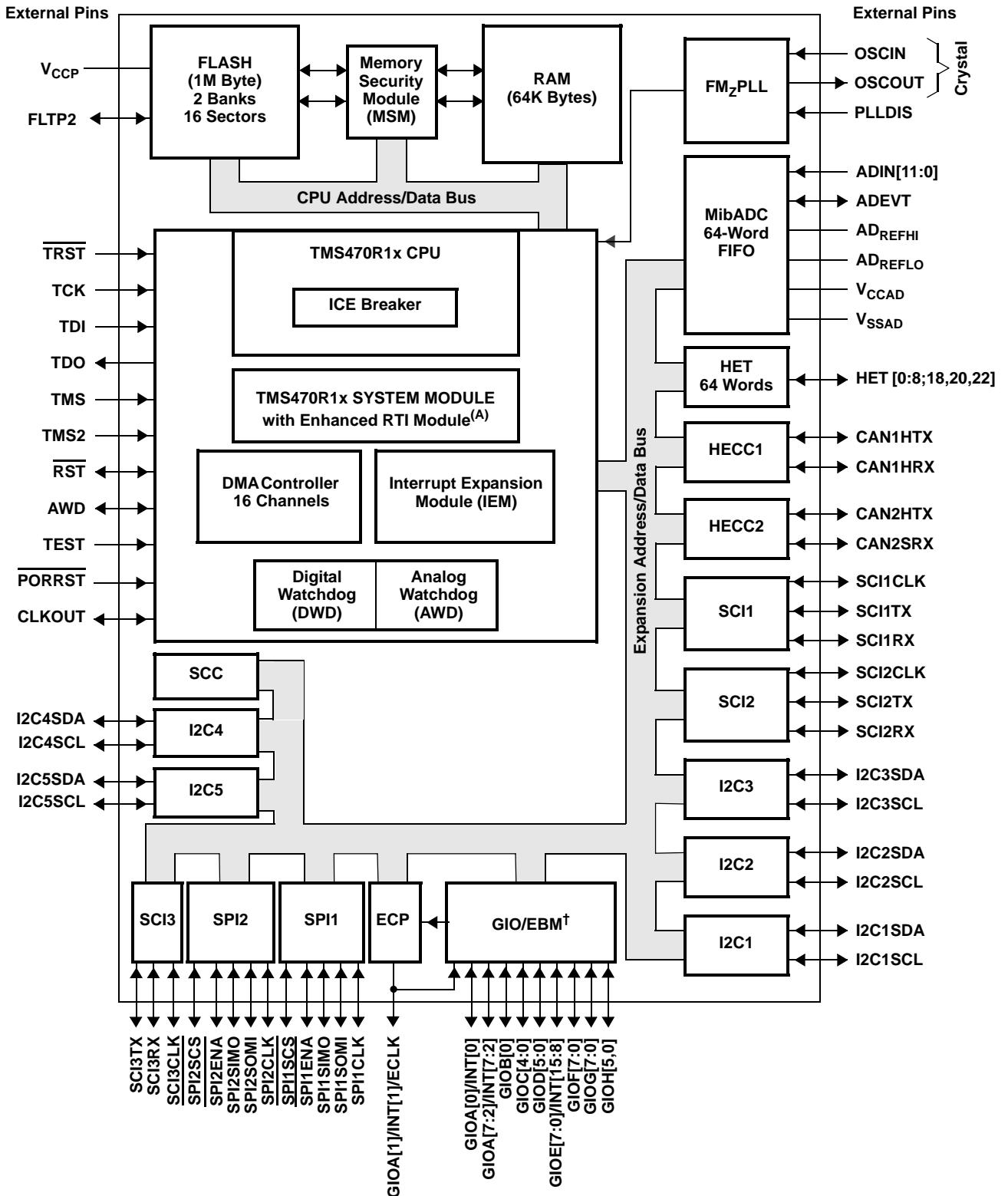
CHARACTERISTICS	DEVICE DESCRIPTION TMS470R1VF48X	COMMENTS FOR VF48X
MEMORY		
For the number of memory selects on this device, see the Memory Selection Assignment table (Table 2).		
INTERNAL MEMORY	Pipeline/Non-Pipeline	Flash is pipeline-capable.
	1M-Byte flash (VF48C only) 768K-byte flash (VF48B only) 64K-Byte SRAM (VF48C only) 48K-byte SRAM (VF48B only) Memory Security Module (MSM) JTAG Security Module	The VF48C RAM is implemented in one 64K array selected by two memory-select signals (see the Memory Selection Assignment table, Table 2). The VF48B RAM is implemented in one 48K array selected by two memory-select signals (see the Memory Selection Assignment table, Table 2).
PERIPHERALS		
For the device-specific interrupt priority configurations, see the Interrupt Priority Table (Table 5). And for the 1K peripheral address ranges and their peripheral selects, see the VF48x Peripherals, System Module, and Flash Base Addresses table (Table 3).		
CLOCK	FM _z PLL	Frequency-modulated zero-pin PLL has no external loop filter pins.
Expansion Bus	EBM	Expansion bus module with 42 pins. Supports 8- and 16-bit memories. See Table 6 for details.
GENERAL-PURPOSE I/Os	46 I/O	Port A has 8 external pins, Port B has only 1 external pin, Port C has 5 external pins, Port D has 6 external pins, Ports E, F, and G each have 8 external pins, and Port H has 2 external pins.
ECP	YES	
SCI	3 (3-pin)	
CAN (HECC and/or SCC)	2 HECC	Two high-end CAN controllers
SPI (5-pin, 4-pin or 3-pin)	2 (5-pin)	
I2C	5	
HET with XOR Share	12 I/O	The high-resolution (HR) SHARE feature allows even-numbered HR pins to share the next higher odd-numbered HR pin structures. This HR sharing is independent of whether or not the odd pin is available externally. If an odd pin is available externally and <i>shared</i> , then the odd pin can only be used as a general-purpose I/O. For more information on HR SHARE, see the <i>TMS470R1x High-End Timer (HET) Reference Guide</i> (literature number SPNU199).
HET RAM	64-Instruction Capacity	
MibADC	10-bit, 12-channel 64-word FIFO	Both the logic and registers for a full 16-channel MibADC are present.
CORE VOLTAGE	1.8 V	
I/O VOLTAGE	3.3 V	
PINS	144	
PACKAGES	PGE	



TMS470R1VF48C/VF48B 16/32-BIT RISC FLASH MICROCONTROLLERS

SPNS093D – MAY 2004 – REVISED FEBRUARY 2006

functional block diagram (VF48C)



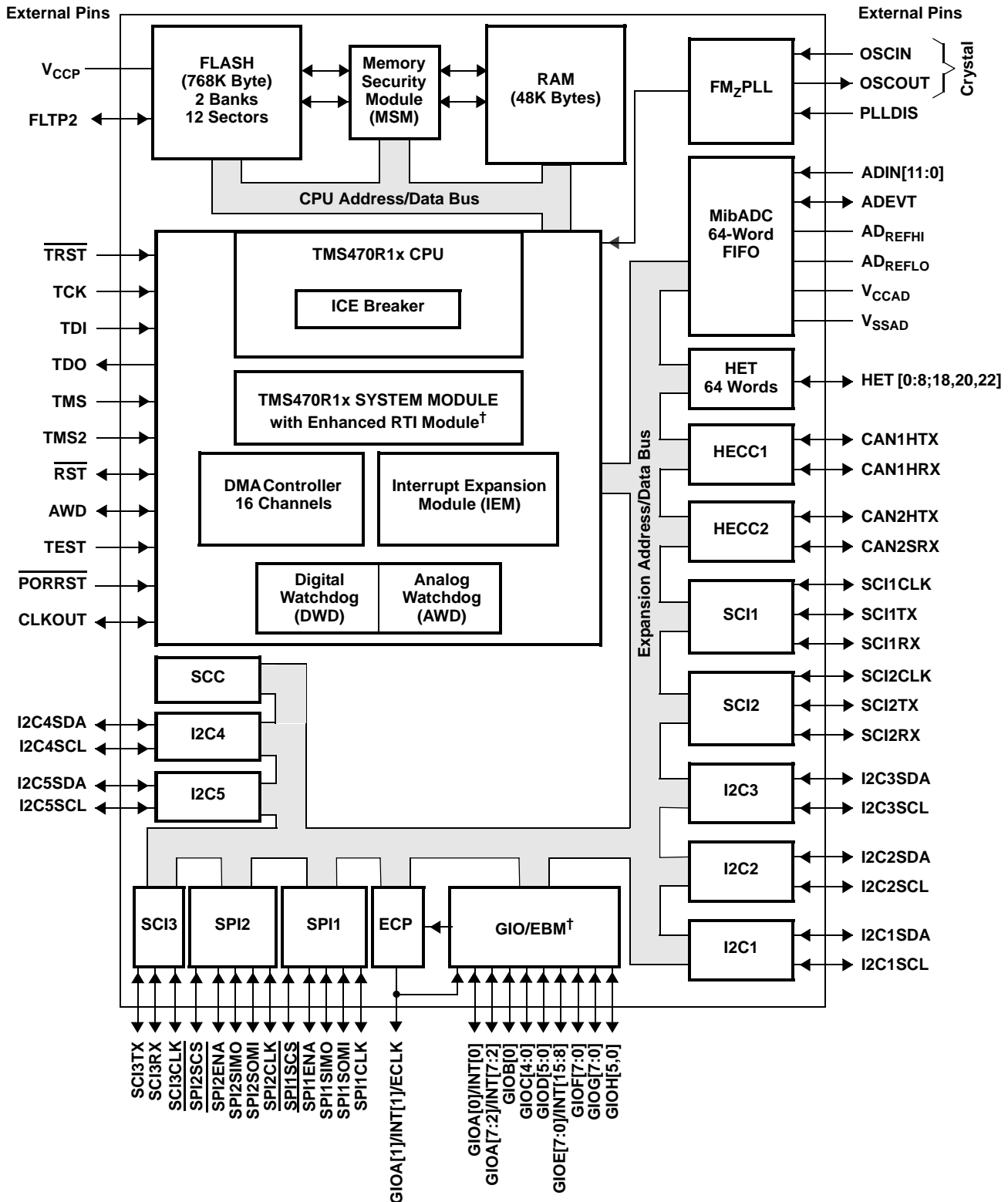
A. The enhanced RTI module is the system module with two extra bits to disable the FM_zPLL while in STANDBY mode.

TMS470R1VF48C/VF48B

16/32-BIT RISC FLASH MICROCONTROLLERS

SPNS093D – MAY 2004 – REVISED FEBRUARY 2006

functional block diagram (VF48B)



A. The enhanced RTI module is the system module with two extra bits to disable the FM_zPLL while in STANDBY mode.

TMS470R1VF48C/VF48B 16/32-BIT RISC FLASH MICROCONTROLLERS

SPNS093D – MAY 2004 – REVISED FEBRUARY 2006

Terminal Functions

TERMINAL NAME	PIN NO.	INPUT VOLT-AGE ⁽¹⁾⁽²⁾	OUTPUT CURRENT ⁽¹⁾⁽²⁾	INTERNAL PULLUP/ PULL-DOWN ⁽³⁾	DESCRIPTION
HIGH-END TIMER (HET)					
HET[0]	73	3.3-V	2mA -z	IPD (20 µA)	<p>Timer input capture or output compare. The HET[8:0,18,20,22] applicable pins can be programmed as general-purpose input/output (GIO) pins. All are high-resolution pins.</p> <p>The high-resolution (HR) SHARE feature allows even HR pins to share the next higher odd HR pin structures. This HR sharing is independent of whether or not the odd pin is available externally. If an odd pin is available externally and <i>shared</i>, then the odd pin can only be used as a general-purpose I/O. For more information on HR SHARE, see the <i>TMS470R1x High-End Timer (HET) Reference Guide</i> (literature number SPNU199).</p>
HET[1]	72				
HET[2]	71				
HET[3]	66				
HET[4]	65				
HET[5]	63				
HET[6]	9				
HET[7]	11				
HET[8]	12				
HET[18]	15				
HET[20]	18				
HET[22]	19				
HIGH-END CAN CONTROLLER (HECC)					
CAN1HRX	83	5V tolerant	4mA		HECC1 receive pin or GIO pin
CAN1HTX	84	3.3-V	2mA -z	IPU (20 µA)	HECC1 transmit pin or GIO pin
CAN2HRX	54	5V tolerant	4mA		HECC2 receive pin or GIO pin
CAN2HTX	55	3.3-V	2mA -z	IPU (20 µA)	HECC2 transmit pin or GIO pin
STANDARD CAN CONTROLLER (SCC)					
CANSRX	-	5V tolerant	4mA		SCC receive pin. The CANSRX signal is only connected to the pad and not to a package pin. For reduced power consumption in low power mode, CANSRX should be driven output LOW.
CANSTX	-	3.3-V	2mA -z	IPU (20 µA)	SCC transmit pin. The CANSTX signal is only connected to the pad and not to a package pin. For reduced power consumption in low power mode, CANSTX should be driven output LOW.
GENERAL-PURPOSE I/O (GIO)					
GIOA[0]/INT[0]	141	5V tolerant	4mA		<p>General-purpose input/output pins. GIOA[7:0]/INT[7:0] are interrupt-capable pins.</p> <p>GIOA[1]/INT[1]/ECLK pin is multiplexed with the external clock-out function of the external clock prescale (ECP) module.</p>
GIOA[1]/INT[1]/ECLK	136				
GIOA[2]/INT[2]	134				
GIOA[3]/INT[3]	133				
GIOA[4]/INT[4]	127				
GIOA[5]/INT[5]	98				
GIOA[6]/INT[6]	78				
GIOA[7]/INT[7]	79				
GIOB[0]	43	3.3-V	2mA -z	IPD (20 µA)	<p>GIOB[0], GIOC[4:0], GIOD[5:0], GIOE[7:0:], GIOF[7:0], GIOG[7:0], AND GIOH[5,0] are multiplexed with the expansion bus module.</p> <p>See Table 6.</p>
GIOC[0]	135				
GIOC[1]	128				
GIOC[2]	126				
GIOC[3]	120				
GIOC[4]	119				

1 PWR = power, GND = ground, REF = reference voltage, NC = no connect

2 All I/O pins, except RST, are configured as inputs while PORRST is low and immediately after PORRST goes high.

3 IPD = internal pulldown, IPU = internal pullup (all internal pullups and pulldowns are active on input pins, independent of the PORRST state.)



TMS470R1VF48C/VF48B

16/32-BIT RISC FLASH MICROCONTROLLERS

SPNS093D – MAY 2004 – REVISED FEBRUARY 2006

Terminal Functions (Continued)

TERMINAL NAME	PIN NO.	INPUT VOLT-AGE ⁽¹⁾⁽²⁾	OUTPUT CURRENT ⁽¹⁾⁽²⁾	INTERNAL PULLUP/PULL-DOWN ⁽³⁾	DESCRIPTION
GENERAL-PURPOSE I/O (GIO) (CONTINUED)					
GIOD[0]	42	3.3-V	2mA -z	IPD (20 µA)	GIOB[0], GIOC[4:0], GIOD[5:0], GIOE[7:0], GIOF[7:0], GIOG[7:0], AND GIOH[5,0] are multiplexed with the expansion bus module. GIOF[7:0]/INT[15:8] are interrupt capable pins. See Table 6.
GIOD[1]	39				
GIOD[2]	35				
GIOD[3]	30				
GIOD[4]	27				
GIOD[5]	23				
GIOE[0]	44				
GIOE[1]	47				
GIOE[2]	58				
GIOE[3]	61				
GIOE[4]	64				
GIOE[5]	67				
GIOE[6]	70				
GIOE[7]	77				
GIOF[0]/INT[8]	80				
GIOF[1]/INT[9]	82				
GIOF[2]/INT[10]	89				
GIOF[3]/INT[11]	90				
GIOF[4]/INT[12]	93				
GIOF[5]/INT[13]	96				
GIOF[6]/INT[14]	99				
GIOF[7]/INT[15]	100				
GIOG[0]	20				
GIOG[1]	10				
GIOG[2]	8				
GIOG[3]	6				
GIOG[4]	3				
GIOG[5]	143				
GIOG[6]	142				
GIOG[7]	140				
GIOH[0]	139				
GIOH[5]	125				

1 PWR = power, GND = ground, REF = reference voltage, NC = no connect

2 All I/O pins, except RST, are configured as inputs while $\overline{\text{PORRST}}$ is low and immediately after $\overline{\text{PORRST}}$ goes high.

3 IPD = internal pulldown, IPU = internal pullup (all internal pullups and pulldowns are active on input pins, independent of the $\overline{\text{PORRST}}$ state.)



TMS470R1VF48C/VF48B 16/32-BIT RISC FLASH MICROCONTROLLERS

SPNS093D – MAY 2004 – REVISED FEBRUARY 2006

Terminal Functions (Continued)

TERMINAL NAME	PIN NO.	INPUT VOLT- AGE ⁽¹⁾⁽²⁾	OUTPUT CURRENT ⁽¹⁾⁽²⁾	INTERNAL PULLUP/ PULL- DOWN ⁽³⁾	DESCRIPTION
MULTI-BUFFERED ANALOG-TO-DIGITAL CONVERTER (MibADC)					
ADEVT	101	3.3-V	2mA -z	IPD (20 μ A)	MibADC event input. Can be programmed as a GIO pin.
ADIN[0]	117				MibADC analog input pins
ADIN[1]	116				
ADIN[2]	115				
ADIN[3]	114				
ADIN[4]	113				
ADIN[5]	108				
ADIN[6]	107				
ADIN[7]	106				
ADIN[8]	105				
ADIN[9]	104				
ADIN[10]	103				
ADIN[11]	102				
AD _{REFHI}	109	3.3-V REF			
AD _{REFLO}	110	GND REF			MibADC module low-voltage reference input
V _{CCAD}	111	3.3-V PWR			MibADC analog supply voltage
V _{SSAD}	112	GND			MibADC analog ground reference
SERIAL PERIPHERAL INTERFACE 1 (SPI1)					
SPI1CLK	4	5V tolerant	4mA		SPI1 clock. SPI1CLK can be programmed as a GIO pin.
SPI1ENA	2				SPI1 chip enable. Can be programmed as a GIO pin.
SPI1SCS	1				SPI1 slave chip select. Can be programmed as a GIO pin.
SPI1SIMO	5				SPI1 data stream. Slave in/master out. Can be programmed as a GIO pin.
SPI1SOMI	7				SPI1 data stream. Slave out/master in. Can be programmed as a GIO pin.
SERIAL PERIPHERAL INTERFACE 2 (SPI2)					
SPI2CLK	56	5V tolerant	4mA		SPI2 clock. Can be programmed as a GIO pin.
SPI2ENA	60				SPI2 chip enable. Can be programmed as a GIO pin.
SPI2SCS	62				SPI2 slave chip select. Can be programmed as a GIO pin.
SPI2SIMO	59				SPI2 data stream. Slave in/master out. Can be programmed as a GIO pin.
SPI2SOMI	57				SPI2 data stream. Slave out/master in. Can be programmed as a GIO pin.
INTER-INTEGRATED CIRCUIT 1 (I2C1)					
I2C1SDA	87	5V tolerant	4mA		I2C1 serial data pin or GIO pin
I2C1SCL	88				I2C1 serial clock pin or GIO pin
INTER-INTEGRATED CIRCUIT 2 (I2C2)					
I2C2SDA	94	5V tolerant	4mA		I2C2 serial data pin or GIO pin
I2C2SCL	95				I2C2 serial clock pin or GIO pin

1 PWR = power, GND = ground, REF = reference voltage, NC = no connect

2 All I/O pins, except RST, are configured as inputs while $\overline{\text{PORRST}}$ is low and immediately after $\overline{\text{PORRST}}$ goes high.

3 IPD = internal pulldown, IPU = internal pullup (all internal pullups and pulldowns are active on input pins, independent of the $\overline{\text{PORRST}}$ state.)

TMS470R1VF48C/VF48B

16/32-BIT RISC FLASH MICROCONTROLLERS

SPNS093D – MAY 2004 – REVISED FEBRUARY 2006

Terminal Functions (Continued)

TERMINAL NAME	PIN NO.	INPUT VOLT-AGE ⁽¹⁾⁽²⁾	OUTPUT CURRENT ⁽¹⁾⁽²⁾	INTERNAL PULLUP/PULLDOWN ⁽³⁾	DESCRIPTION
INTER-INTEGRATED CIRCUIT 3 (I2C3)					
I2C3SDA	29	5V tolerant	4mA		I2C3 serial data pin or GIO pin
I2C3SCL	28				I2C3 serial clock pin or GIO pin
INTER-INTEGRATED CIRCUIT 4 (I2C4)					
I2C4SDA	41	5V tolerant	4mA		I2C4 serial data pin or GIO pin
I2C4SCL	40				I2C4 serial clock pin or GIO pin
INTER-INTEGRATED CIRCUIT 5 (I2C5)					
I2C5SDA	38	5V tolerant	4mA		I2C5 serial data pin or GIO pin
I2C5SCL	37				I2C5 serial clock pin or GIO pin
FREQUENCY-MODULATED ZERO-PIN PHASE-LOCKED LOOP (FM₂PLL)					
OSCIN	33	1.8-V			Crystal connection pin or external clock input
OSCOU	32		2mA		External crystal connection pin
PLLDIS	97	3.3-V		IPD (20 µA)	Enable/disable the FM ₂ PLL. The FM ₂ PLL can be bypassed and the oscillator becomes the system clock. If not in bypass mode, TI recommends that this pin be connected to ground or pulled down to ground by an external resistor.
SERIAL COMMUNICATIONS INTERFACE 1 (SCI1)					
SCI1CLK	48	3.3-V	2mA -z	IPD (20 µA)	SCI1 clock. SCI1CLK can be programmed as a GIO pin.
SCI1RX	46	5V tolerant	4mA		SCI1 data receive. SCI1RX can be programmed as a GIO pin.
SCI1TX	45	3.3-V	2mA -z	IPU (20 µA)	SCI1 data transmit. SCI1TX can be programmed as a GIO pin.
SERIAL COMMUNICATIONS INTERFACE 2 (SCI2)					
SCI2CLK	51	3.3-V	2mA -z	IPD(20 µA)	SCI2 clock. SCI2CLK can be programmed as a GIO pin.
SCI2RX	50	5V tolerant	4mA		SCI2 data receive. SCI2RX can be programmed as a GIO pin.
SCI2TX	49	3.3-V	2mA -z	IPU (20 µA)	SCI2 data transmit. SCI2TX can be programmed as a GIO pin.
SERIAL COMMUNICATIONS INTERFACE 3 (SCI3)					
SCI3CLK	24	3.3-V	2mA -z	IPD (20 µA)	SCI3 clock. SCI3CLK can be programmed as a GIO pin.
SCI3RX	22	5V tolerant	4mA		SCI3 data receive. SCI3RX can be programmed as a GIO pin.
SCI3TX	21	3.3-V	2mA -z	IPU (20 µA)	SCI3 data transmit. SCI3TX can be programmed as a GIO pin.
SYSTEM MODULE (SYS)					
CLKOUT	81	3.3-V	8mA		Bidirectional pin. CLKOUT can be programmed as a GIO pin or the output of SYSClk, ICLK, or MCLK.
$\overline{\text{PORRST}}$	118	3.3-V		IPD (20 µA)	Input master chip power-up reset. External V _{CC} monitor circuitry must assert a power-on reset.
$\overline{\text{RST}}$	121	3.3-V	4mA	IPU (20 µA)	Bidirectional reset. The internal circuitry can assert a reset, and an external system reset can assert a device reset. On this pin, the output buffer is implemented as an open drain (drives low only). To ensure an external reset is not arbitrarily generated, TI recommends that an external pullup resistor be connected to this pin.
WATCHDOG/REAL-TIME INTERRUPT (WD/RTI)					
AWD	36	3.3-V	8mA		Analog watchdog reset. The AWD pin provides a system reset if the WD KEY is not written in time by the system, providing an external RC network circuit is connected. If the user is not using AWD, TI recommends that this pin be connected to ground or pulled down to ground by an external resistor. For more details on the external RC network circuit, see the <i>TMS470R1x System Module Reference Guide</i> (literature number SPNU189).

1 PWR = power, GND = ground, REF = reference voltage, NC = no connect

2 All I/O pins, except RST, are configured as inputs while $\overline{\text{PORRST}}$ is low and immediately after $\overline{\text{PORRST}}$ goes high.

3 IPD = internal pulldown, IPU = internal pullup (all internal pullups and pulldowns are active on input pins, independent of the $\overline{\text{PORRST}}$ state.)



TMS470R1VF48C/VF48B

16/32-BIT RISC FLASH MICROCONTROLLERS

SPNS093D – MAY 2004 – REVISED FEBRUARY 2006

Terminal Functions (Continued)

TERMINAL NAME	PIN NO.	INPUT VOLT- AGE ⁽¹⁾⁽²⁾	OUTPUT CURRENT ⁽¹⁾⁽²⁾	INTERNAL PULLUP/ PULL- DOWN ⁽³⁾	DESCRIPTION
TEST/DEBUG (T/D)					
TCK	76	3.3-V		IPD (20 μ A)	Test clock. TCK controls the test hardware (JTAG).
TDI	74		8mA	IPU (20 μ A)	Test data in. TDI inputs serial data to the test instruction register, test data register, and programmable test address (JTAG).
TDO	75		8mA	IPD (20 μ A)	Test data out. TDO outputs serial data from the test instruction register, test data register, identification register, and programmable test address (JTAG).
TEST	124	3.3-V		IPD (20 μ A)	Test enable. Reserved for internal use only. TI recommends that this pin be connected to ground or pulled down to ground by an external resistor.
TMS	17		8mA	IPU (20 μ A)	Serial input for controlling the state of the CPU test access port (TAP) controller (JTAG).
TMS2	16		8mA	IPU (20 μ A)	Serial input for controlling the second TAP. TI recommends that this pin be connected to V _{CCIO} or pulled up to V _{CCIO} by an external resistor.
$\overline{\text{TRST}}$	144			IPD (20 μ A)	Test hardware reset to TAP1 and TAP2. IEEE Standard 1149-1 (JTAG) Boundary-Scan Logic. TI recommends that this pin be pulled down to ground by an external resistor.
FLASH					
FLTP2	132	NC	NC		Flash test pad 2. For proper operation, this pin must not be connected [no connect (NC)].
V _{CCP}	131	3.3-V PWR			Flash external pump voltage (3.3 V)
SUPPLY VOLTAGE CORE (1.8 V)					
V _{CC}	13	1.8-V PWR			Core logic supply voltage
	31				
	53				
	92				
	123				
	130				
SUPPLY VOLTAGE DIGITAL I/O (3.3 V)					
V _{CCIO}	25	3.3-V PWR			Digital I/O supply voltage
	69				
	86				
	137				
SUPPLY GROUND CORE					
V _{SS}	14	GND			Core supply ground reference
	34				
	52				
	91				
	122				
	129				
SUPPLY GROUND DIGITAL I/O					
V _{SSIO}	26	GND			Digital I/O supply ground reference
	68				
	85				
	138				

1 PWR = power, GND = ground, REF = reference voltage, NC = no connect

2 All I/O pins, except RST, are configured as inputs while PORRST is low and immediately after $\overline{\text{PORRST}}$ goes high.

3 IPD = internal pulldown, IPU = internal pullup (all internal pullups and pulldowns are active on input pins, independent of the $\overline{\text{PORRST}}$ state.)



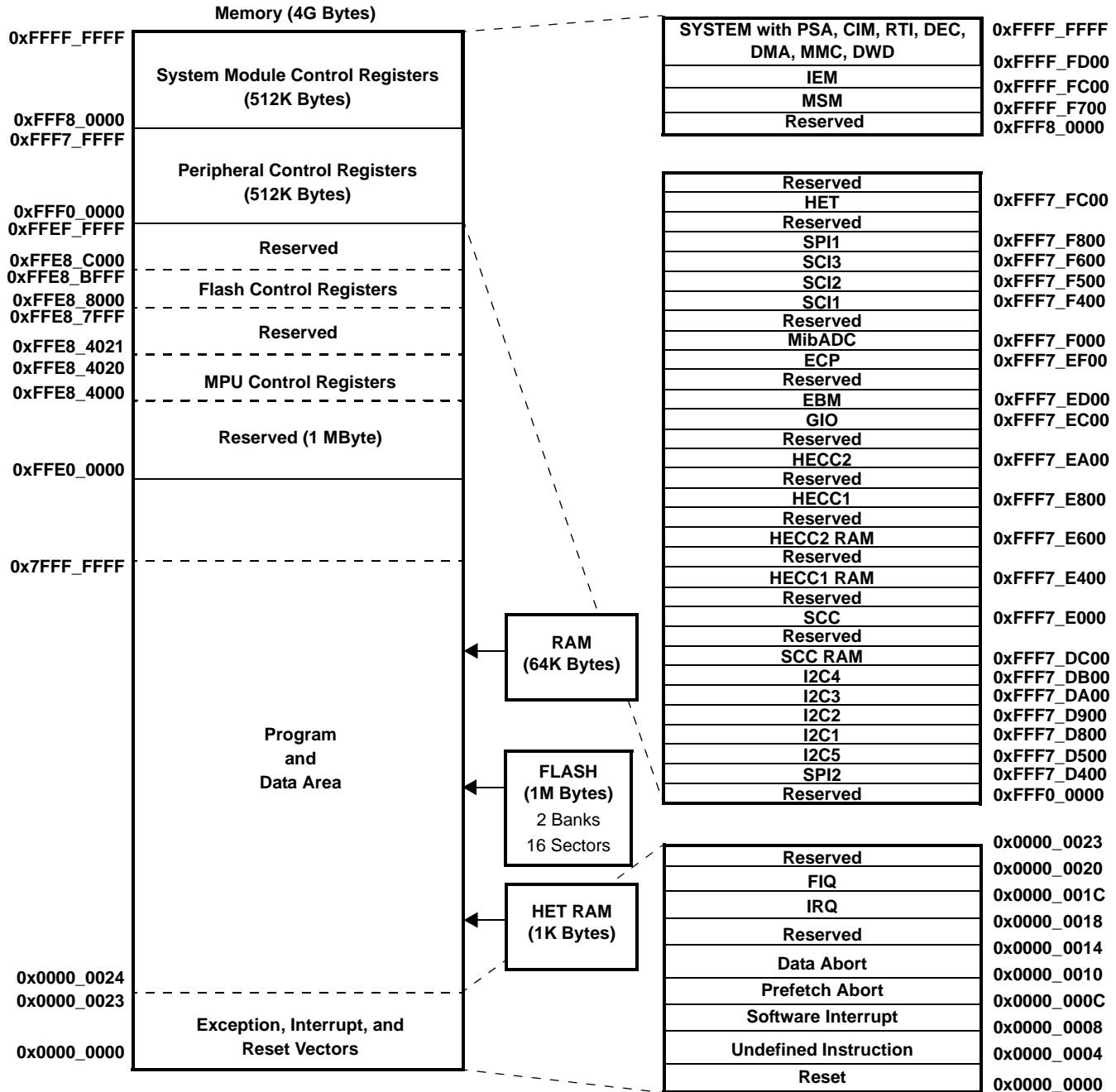
TMS470R1VF48C/VF48B 16/32-BIT RISC FLASH MICROCONTROLLERS

SPNS093D – MAY 2004 – REVISED FEBRUARY 2006

VF48X DEVICE-SPECIFIC INFORMATION

memory

Figure 1 shows the memory map of the VF48C device.



- A. Memory addresses are configurable by the system (SYS) module within the range of 0x0000_0000 to 0xFFE0_0000.
- B. The CPU registers are not a part of the memory map.

Figure 1. TMS470R1VF48C Memory Map

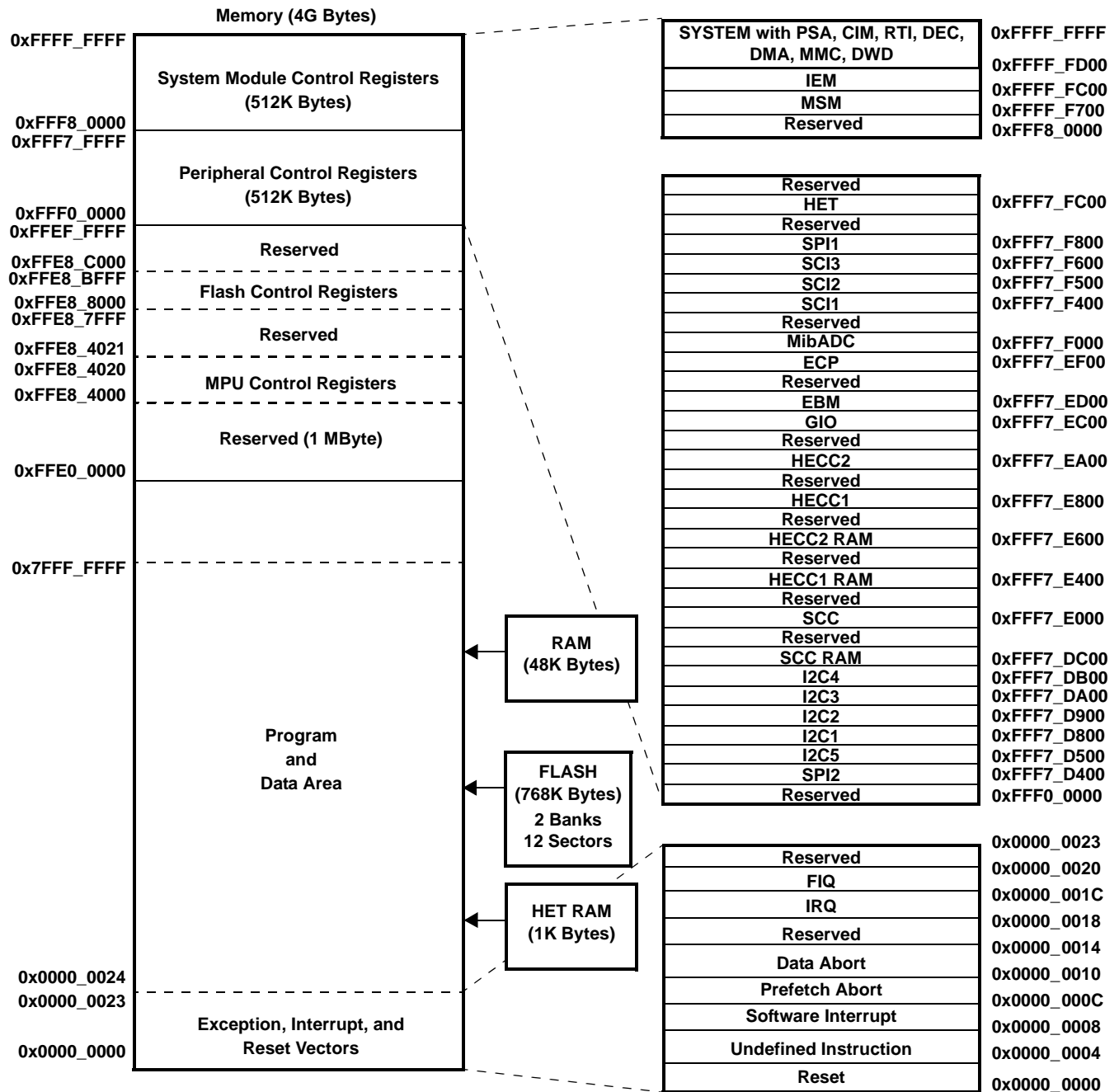


TMS470R1VF48C/VF48B 16/32-BIT RISC FLASH MICROCONTROLLERS

SPNS093D – MAY 2004 – REVISED FEBRUARY 2006

memory (continued)

Figure 2 shows the memory map of the VF48B device.



- A. Memory addresses are configurable by the system (SYS) module within the range of 0x0000_0000 to 0xFFE0_0000.
- B. The CPU registers are not a part of the memory map.

Figure 2. TMS470R1VF48B Memory Map

TMS470R1VF48C/VF48B

16/32-BIT RISC FLASH MICROCONTROLLERS

SPNS093D – MAY 2004 – REVISED FEBRUARY 2006

memory selects

Memory selects allow the user to address memory arrays (i.e., flash, RAM, and HET RAM) at user-defined addresses. Each memory select has its own set (low and high) of memory base address registers (MFBHRx and MFBALRx) that, together, define the array's starting (base) address, size, and protection.

The base address of each memory select is configurable to any memory address boundary that is a multiple of the decoded block size. The decoded block size for the flash memory on this device is 0x00400000. For more information on how to control and configure these memory select registers, see the bus structure and memory sections of the *TMS470R1x System Module Reference Guide* (literature number SPNU189).

For the memory selection assignments and the memory selected, see Table 2.

Table 2. Memory Selection Assignment

MEMORY SELECT	MEMORY SELECTED (ALL INTERNAL)	MEMORY SIZE ⁽¹⁾	MPU	MSM	MEMORY BASE ADDRESS REGISTER	STATIC MEM CTL REGISTER
0 (fine)	FLASH/ROM	1M (VF48C)	NO	YES	MFBHR0 and MFBALR0	
1 (fine)	FLASH/ROM	768 K (VF48B)	NO	YES	MFBHR1 and MFBALR1	
2 (fine)	RAM	64K ⁽²⁾ (VF48C)	YES	YES	MFBHR2 and MFBALR2	
3 (fine)	RAM	48K ⁽²⁾ (VF48B)	YES	YES	MFBHR3 and MFBALR3	
4 (fine)	HET RAM	1K	NO	NO	MFBHR4 and MFBALR4	SMCR1
5 (coarse)	$\overline{\text{CS}}[5]/\text{GIOC}[3]$	128MB (x8) 1MB (x16)	NO	NO	MCBAHR2 and MCBALR2	SMCR5
6 (coarse)	$\overline{\text{CS}}[6]/\text{GIOC}[4]$	128MB (x8) 1MB (x16)	NO	NO	MCBAHR3 and MCBALR3	SMCR6

1 x8 refers to size of memory in 8-bits; x16 refers to size of memory in 16-bits.

2 The starting addresses for both RAM memory-select signals *cannot* be offset from each other by a multiple of the user-defined block size in the memory-base address register.

JTAG security module

The VF48x device includes a JTAG security module to provide maximum security to the memory contents. The visible unlock code can be in the OTP sector or in the first bank of the user-programmable memory. For the VF48x, the visible unlock code is in the OTP sector at address 0x0000_01F8.

memory security module

The VF48x device also includes a memory security module (MSM) to provide additional security and flexibility to the memory contents' protection. The password for unlocking the MSM is located in the four words just before the flash protection keys (see page 17).

RAM

The VF48C device contains 64K-bytes of internal static RAM configurable by the SYS module to be addressed within the range of 0x0000_0000 to 0xFFE0_0000. This VF48C RAM is implemented in one 64K array selected by two memory-select signals. This VF48C configuration imposes an additional constraint on the memory map for RAM; the starting addresses for both RAM memory selects *cannot* be offset from each other by the multiples of the size of the physical RAM (i.e., 64K for the VF48C device). The VF48C RAM is addressed through memory selects 2 and 3.

The VF48B device contains 48Kbytes of internal static RAM configurable by the SYS module to be addressed within the range of 0x0000_0000 to 0xFFE0_0000. This VF48B RAM is implemented in one 48K array selected by two memory-select signals. The VF48B configuration imposes an additional constraint on the memory map



for RAM; the starting addresses for both RAM memory selects *cannot* be offset from each other by the multiples of the size of the physical RAM (i.e., 48K for the VF48B device). The VF48B RAM is addressed through memory selects 2 and 3.

RAM (continued)

The RAM can be protected by the memory protection unit (MPU) portion of the SYS module, allowing the user finer blocks of memory protection than is allowed by the memory selects. The MPU is ideal for protecting an operating system while allowing access to the current task. For more detailed information on the MPU portion of the SYS module and memory protection, see the memory section of the *TMS470R1x System Module Reference Guide* (literature number SPNU189).

F05 flash

The F05 flash memory is a nonvolatile electrically erasable and programmable memory implemented with a 32-bit-wide data bus interface. The F05 flash has an external state machine for programming and erase functions. See the *flash read* and *flash program and erase* sections following.

flash protection keys

The VF48x device provides flash protection keys. These four 32-bit protection keys prevent program/erase/compaction operations from occurring until after the four protection keys have been matched by the CPU loading the correct user keys into the FMPKEY control register. The protection keys on the VF48x are located in the last 4 words of the first 64K sector. For more detailed information on the flash protection keys and the FMPKEY control register, see the "Optional Quadruple Protection Keys" and "Programming the Protection Keys" portions of the *TMS470R1x F05 Flash Reference Guide* (literature number SPNU213).

flash read

The VF48x flash memory is configurable by the SYS module to be addressed within the range of 0x0000_0000 to 0xFFE0_0000. The flash is addressed through memory selects 0 and 1.

NOTE

The flash external pump voltage (V_{CCP}) is required for all operations (program, erase, and read).

flash pipeline mode

When in pipeline mode, the flash operates with a system clock frequency of up to 60 MHz (versus a system clock frequency of 24 MHz in normal mode). Flash in pipeline mode is capable of accessing 64-bit words and provides two 32-bit pipelined words to the CPU. Also, in pipeline mode the flash can be read with no wait states when memory addresses are contiguous (after the initial 1- or 2-wait-state reads).

NOTE

After a system reset, pipeline mode is disabled (ENPIPE bit [FMREGOPT.0] is a 0). In other words, the VF48x device powers up and comes out of reset in non-pipeline mode. Furthermore, setting the flash configuration mode bit (GBLCTRL.4) will override pipeline mode.

TMS470R1VF48C/VF48B

16/32-BIT RISC FLASH MICROCONTROLLERS

SPNS093D – MAY 2004 – REVISED FEBRUARY 2006

flash program and erase

The VF48C device flash contains two 512K-byte memory arrays (or banks), for a total of 1M-byte of flash, and consists of sixteen sectors. These sixteen sectors are sized as follows:

SECTOR NO.	SEGMENT	LOW ADDRESS	HIGH ADDRESS	MEMORY ARRAYS (OR BANKS)
OTP	2K Bytes	0x0000_0000	0x0000_07FF	BANK0 (512K Bytes)
0	64K Bytes	0x0000_0000	0x0000_FFFF	
1	64K Bytes	0x0001_0000	0x0001_FFFF	
2	64K Bytes	0x0002_0000	0x0002_FFFF	
3	64K Bytes	0x0003_0000	0x0003_FFFF	
4	64K Bytes	0x0004_0000	0x0004_FFFF	
5	64K Bytes	0x0005_0000	0x0005_FFFF	
6	64K Bytes	0x0006_0000	0x0006_FFFF	
7	64K Bytes	0x0007_0000	0x0007_FFFF	BANK1 (512K Bytes)
0	64K Bytes	0x0008_0000	0x0008_FFFF	
1	64K Bytes	0x0009_0000	0x0009_FFFF	
2	64K Bytes	0x000A_0000	0x000A_FFFF	
3	64K Bytes	0x000B_0000	0x000B_FFFF	
4	64K Bytes	0x000C_0000	0x000C_FFFF	
5	64K Bytes	0x000D_0000	0x000D_FFFF	
6	64K Bytes	0x000E_0000	0x000E_FFFF	
7	64K Bytes	0x000F_0000	0x000F_FFFF	

The VF48B device flash contains one 512K-byte memory array (or bank) and one 256K-byte bank, for a total of 768K-byte of flash, and consists of twelve sectors. These twelve sectors are sized as follows:

SECTOR NO.	SEGMENT	LOW ADDRESS	HIGH ADDRESS	MEMORY ARRAYS (OR BANKS)
OTP	2K Bytes	0x0000_0000	0x0000_007FF	BANK0 (512K Bytes)
0	64K Bytes	0x0000_0000	0x0000_FFFF	
1	64K Bytes	0x0001_0000	0x0001_FFFF	
2	64K Bytes	0x0002_0000	0x0002_FFFF	
3	64K Bytes	0x0003_0000	0x0003_FFFF	
4	64K Bytes	0x0004_0000	0x0004_FFFF	
5	64K Bytes	0x0005_0000	0x0005_FFFF	
6	64K Bytes	0x0006_0000	0x0006_FFFF	
7	64K Bytes	0x0007_0000	0x0007_FFFF	BANK1 (256K Bytes)
0	64K Bytes	0x0008_0000	0x0008_FFFF	
1	64K Bytes	0x0009_0000	0x0009_FFFF	
2	64K Bytes	0x000A_0000	0x000A_FFFF	
3	64K Bytes	0x000B_0000	0x000B_FFFF	

The minimum size for an erase operation is one sector. The maximum size for a program operation is one 16-bit word.



flash program and erase (continued)

NOTE

The flash external pump voltage (V_{CCP}) is required for all operations (program, erase, and read).

Execution can occur from one bank while programming/erasing any or all sectors of another bank. However, execution cannot occur from any sector within a bank that is being programmed or erased.

NOTE

When the OTP sector is enabled, the rest of Flash memory is disabled. The OTP memory can only be read or programmed from code executed out of RAM.

For more detailed information on flash program and erase operations, see the *TMS470R1x F05 Flash Reference Guide* (literature number SPNU213).

HET RAM

The VF48x device contains HET RAM. The HET RAM has a 64-instruction capability. The HET RAM is configurable by the SYS module to be addressed within the range of 0x0000_0000 to 0xFFE0_0000. The HET RAM is addressed through memory select 4.

TMS470R1VF48C/VF48B

16/32-BIT RISC FLASH MICROCONTROLLERS

SPNS093D – MAY 2004 – REVISED FEBRUARY 2006

peripheral selects and base addresses

The VF48x device uses ten of the sixteen peripheral selects to decode the base addresses of the peripherals. These peripheral selects are fixed and transparent to the user since they are part of the decoding scheme used by the SYS module.

Control registers for the peripherals, SYS module, and flash begin at the base addresses shown in Table 3.

Table 3. VF48x Peripherals, System Module, and Flash Base Addresses

CONNECTING MODULE	ADDRESS RANGE		PERIPHERAL SELECTS
	BASE ADDRESS	ENDING ADDRESS	
SYSTEM	0xFFFF_FFCC	0xFFFF_FFFF	N/A
RESERVED	0xFFFF_FF70	0xFFFF_FF00	N/A
DWD	0xFFFF_FF60	0xFFFF_FF6F	N/A
PSA	0xFFFF_FF40	0xFFFF_FF5F	N/A
CIM	0xFFFF_FF20	0xFFFF_FF3F	N/A
RTI	0xFFFF_FF00	0xFFFF_FF1F	N/A
DMA	0xFFFF_FE80	0xFFFF_FEFF	N/A
DEC	0xFFFF_FE00	0xFFFF_FE7F	N/A
RESERVED	0xFFFF_FD80	0xFFFF_FDFF	N/A
MMC	0xFFFF_FD00	0xFFFF_FD7F	N/A
IEM	0xFFFF_FC00	0xFFFF_FCFE	N/A
RESERVED	0xFFFF_FB00	0xFFFF_FBF7	N/A
RESERVED	0xFFFF_FA00	0xFFFF_FAFF	N/A
DMA CMD BUFFER	0xFFFF_F800	0xFFFF_F9FF	N/A
MSM	0xFFFF_F700	0xFFFF_F7FF	N/A
RESERVED	0xFFFF8_0000	0xFFFF_F6FF	N/A
RESERVED	0xFFFF7_FD00	0xFFFF7_FFFF	PS[0]
HET	0xFFFF7_FC00	0xFFFF7_FCFE	
RESERVED	0xFFFF7_F900	0xFFFF7_FBF7	PS[1]
SPI1	0xFFFF7_F800	0xFFFF7_F8FF	
RESERVED	0xFFFF7_F700	0xFFFF7_F7FF	PS[2]
SCI3	0xFFFF7_F600	0xFFFF7_F6FF	
SCI2	0xFFFF7_F500	0xFFFF7_F5FF	
SCI1	0xFFFF7_F400	0xFFFF7_F4FF	
RESERVED	0xFFFF7_F100	0xFFFF7_F3FF	PS[3]
MibADC	0xFFFF7_F000	0xFFFF7_F0FF	
ECP	0xFFFF7_EF00	0xFFFF7_EFFF	PS[4]
RESERVED	0xFFFF7_EE00	0xFFFF7_EE7F	
EBM	0xFFFF7_ED00	0xFFFF7_ED7F	
GIO	0xFFFF7_EC00	0xFFFF7_ECFE	

TMS470R1VF48C/VF48B

16/32-BIT RISC FLASH MICROCONTROLLERS

SPNS093D – MAY 2004 – REVISED FEBRUARY 2006

Table 3. VF48x Peripherals, System Module, and Flash Base Addresses (Continued)

CONNECTING MODULE	ADDRESS RANGE		PERIPHERAL SELECTS
	BASE ADDRESS	ENDING ADDRESS	
HECC2	0xFFFF7_EB00	0xFFFF7_EBFF	PS[5]
	0xFFFF7_EA00	0xFFFF7_EAFF	
HECC1	0xFFFF7_E900	0xFFFF7_E9FF	PS[6]
	0xFFFF7_E800	0xFFFF7_E8FF	
HECC2 RAM	0xFFFF7_E700	0xFFFF7_E7FF	PS[7]
	0xFFFF7_E600	0xFFFF7_E6FF	
HECC1 RAM	0xFFFF7_E500	0xFFFF7_E5FF	PS[8]
	0xFFFF7_E400	0xFFFF7_E4FF	
RESERVED	0xFFFF7_E100	0xFFFF7_E3FF	PS[9]
SCC	0xFFFF7_E000	0xFFFF7_E0FF	PS[10]
RESERVED	0xFFFF7_DD00	0xFFFF7_DFFF	PS[11]
SCC RAM	0xFFFF7_DC00	0xFFFF7_DCFE	PS[12]
I2C4	0xFFFF7_DB00	0xFFFF7_DBFF	PS[13]
I2C3	0xFFFF7_DA00	0xFFFF7_DAFF	
I2C2	0xFFFF7_D900	0xFFFF7_D9FF	
I2C1	0xFFFF7_D800	0xFFFF7_D8FF	
RESERVED	0xFFFF7_D600	0xFFFF7_D7FF	PS[14]
I2C5	0xFFFF7_D500	0xFFFF7_D5FF	
SPI2	0xFFFF7_D400	0xFFFF7_D4FF	
RESERVED	0xFFFF7_CC00	0xFFFF7_D3FF	PS[15] - PS[16]
RESERVED	0xFFFF7_C800	0xFFFF7_CBFF	PS[17]
RESERVED	0xFFFF7_C000	0xFFFF7_C7FF	PS[18] - PS[19]
RESERVED	0xFFFF0_0000	0xFFFF7_BFFF	N/A
Flash Control Registers	0xFFE8_8000	0xFFE8_BFFF	N/A
RESERVED	0xFFFF8_4024	0xFFFF8_7FFF	N/A
MPU CONTROL REGISTERS	0xFFE8_4000	0xFFE8_4023	N/A
RESERVED	0xFFFF8_0000	0xFFFF8_3FFF	N/A

TMS470R1VF48C/VF48B

16/32-BIT RISC FLASH MICROCONTROLLERS

SPNS093D – MAY 2004 – REVISED FEBRUARY 2006

direct-memory access (DMA)

The direct-memory access (DMA) controller transfers data to and from any specified location in the VF48x memory map (except for restricted memory locations like the system control registers area). The DMA manages up to 16 channels, and supports data transfer for both on-chip and off-chip memories and peripherals. The DMA controller is connected to both the CPU and peripheral buses, enabling these data transfers to occur in parallel with CPU activity and thus maximizing overall system performance.

Although the DMA controller has two possible configurations, for the VF48x device, the DMA controller configuration is 32 control packets and 16 channels.

For the VF48x DMA request hardwired configuration, see Table 4.

Table 4. DMA Request Lines Connections⁽¹⁾

MODULES	DMA REQUEST INTERRUPT SOURCES		DMA CHANNEL
EBM	Expansion Bus DMA request	EBDMAREQ[0]	DMAREQ[0]
SPI1/I2C4	SPI1 end-receive/I2C4 read	SPI1DMA0/I2C4DMA0	DMAREQ[1]
SPI1/I2C4	SPI1 end-transmit/I2C4 write	SPI1DMA1/I2C4DMA1	DMAREQ[2]
MibADC/I2C1	ADC EV/I2C1 read	MibADCMA0/I2C1DMA0	DMAREQ[3]
MibADC/SCI1/I2C5	ADC G1/SCI1 end-receive/I2C5 read	MibADCMA1/SCI1DMA0/I2C5DMA0	DMAREQ[4]
MibADC/SCI1/I2C5	ADC G2/SCI1 end-transmit/I2C5 write	MibADCMA2/SCI1DMA1/I2C5DMA1	DMAREQ[5]
I2C1	I2C1 write	I2C1DMA1	DMAREQ[6]
SCI3/SPI2	SCI3 end-receive/SPI2 end-receive	SCI3DMA0/SPI2DMA0	DMAREQ[7]
SCI3/SPI2	SCI3 end-transmit/SPI2 end-transmit	SCI3DMA01/SPI2DMA1	DMAREQ[8]
I2C2	I2C2 read end-receive	I2C2DMA0	DMAREQ[9]
I2C2	I2C2 write end-transmit	I2C2DMA1	DMAREQ[10]
I2C3	I2C3 read	I2C3DMA0	DMAREQ[11]
I2C3	I2C3 write	I2C3DMA1	DMAREQ[12]
RESERVED			DMAREQ[13]
SCI2	SCI2 end-receive	SCI2DMA0	DMAREQ[14]
SCI2	SCI2 end-transmit	SCI2DMA1	DMAREQ[15]

¹ For DMA channels with more than one assigned request source, *only one* of the sources listed can be the DMA request generator in a given application. The device has software control to ensure that there are no conflicts between requesting modules.

Each channel has two control packets attached to it, allowing the DMA to continuously load RAM and generate periodic interrupts so that the data can be read by the CPU. The control packets allow for the interrupt enable, and the channels determine the priority level of the interrupt.

DMA transfers occur in one of two modes:

- Non-request mode (used when transferring from memory to memory)
- Request mode (used when transferring from memory to peripheral)

For more detailed functional information on the DMA controller, see the *TMS470R1x Direct Memory Access (DMA) Controller Reference Guide* (literature number SPNU194).

interrupt priority (IEM to CIM)

Interrupt requests originating from the VF48x peripheral modules (i.e., SPI1 or SPI2; SCI1 or SCI2; RTI; etc.) are assigned to channels within the 48-channel interrupt expansion module (IEM) where, via programmable register mapping, these channels are then mapped to the 32-channel central interrupt manager (CIM) portion of the SYS module.

Programming multiple interrupt sources in the IEM to the same CIM channel effectively shares the CIM channel between sources.

The CIM request channels are maskable so that individual channels can be selectively disabled. All interrupt requests can be programmed in the CIM to be of either type:

- Fast interrupt request (FIQ)
- Normal interrupt request (IRQ)

The CIM prioritizes interrupts. The precedences of request channels decrease with ascending channel order in the CIM (0 [highest] and 31 [lowest] priority). For IEM-to-CIM default mapping, channel priorities, and their associated modules, see Table 5.

Table 5. Interrupt Priority (IEM and CIM)

MODULES	INTERRUPT SOURCES	DEFAULT CIM INTERRUPT LEVEL/ CHANNEL	IEM CHANNEL
SPI1	SPI1 end-transfer/overrun	0	0
RTI	COMP2 interrupt	1	1
RTI	COMP1 interrupt	2	2
RTI	TAP interrupt	3	3
SPI2	SPI2 end-transfer/overrun	4	4
GIO	GIO interrupt A	5	5
RESERVED		6	6
HET	HET interrupt 1	7	7
I2C1	I2C1 interrupt	8	8
SCI1/SCI2	SCI1 or SCI2 error interrupt	9	9
SCI1	SCI1 receive interrupt	10	10
RESERVED		11	11
I2C2	I2C2 interrupt	12	12
HECC1	HECC1 interrupt A	13	13
SCC	SCC interrupt A	14	14
RESERVED		15	15
MibADC	MibADC end event conversion	16	16
SCI2	SCI2 receive interrupt	17	17
DMA	DMA interrupt 0	18	18
I2C3	I2C3 interrupt	19	19
SCI1	SCI1 transmit interrupt	20	20
System	SW interrupt (SSI)	21	21
RESERVED		22	22
HET	HET interrupt 2	23	23
HECC1	HECC1 interrupt B	24	24
SCC	SCC interrupt B	25	25

TMS470R1VF48C/VF48B

16/32-BIT RISC FLASH MICROCONTROLLERS

SPNS093D – MAY 2004 – REVISED FEBRUARY 2006

interrupt priority (IEM to CIM) (continued)

Table 5. Interrupt Priority (IEM and CIM) (Continued)

MODULES	INTERRUPT SOURCES	DEFAULT CIM INTERRUPT LEVEL/ CHANNEL	IEM CHANNEL
SCI2	SCI2 transmit interrupt	26	26
MibADC	MibADC end Group 1 conversion	27	27
DMA	DMA Interrupt 1	28	28
GIO	GIO interrupt B	29	29
MibADC	MibADC end Group 2 conversion	30	30
SCI3	SCI3 error interrupt	31	31
RESERVED		31	32-37
HECC2	HECC2 interrupt A	31	38
HECC2	HECC2 interrupt B	31	39
SCI3	SCI3 receive interrupt	31	40
SCI3	SCI3 transmit interrupt	31	41
I2C4	I2C4 interrupt	31	42
I2C5	I2C5 interrupt	31	43
RESERVED		31	44-47

For more detailed functional information on the IEM, see the *TMS470R1x Interrupt Expansion Module (IEM) Reference Guide* (literature number SPNU211). For more detailed functional information on the CIM, see the *TMS470R1x System Module Reference Guide* (literature number SPNU189).

expansion bus module (EBM)

The expansion bus module (EBM) is a standalone module used to bond out both general-purpose input/output pins and expansion bus interface pins. This module supports the multiplexing of the GIO functions and the expansion bus interface functions. The module also supports 8- and 16- bit expansion bus memory interface mappings as well as mapping of the following expansion bus signals:

- 27-bit address bus (EBADDR[26:0]) for x8, 19-bit address bus (EBADDR[18:0]) for x16
- 8- or 16-bit data bus (EBDATA[7:0] or EBDATA[15:0])
- 2 write strobes ($\overline{\text{EBWR}}[1:0]$)
- 2 memory chip selects ($\overline{\text{EBCS}}[6:5]$)
- 1 output enable ($\overline{\text{EBOE}}$)
- 1 external hold signal for interfacing to slow memories ($\overline{\text{EBHOLD}}$)
- 1 DMA request line (EBDMAREQ[0])

Table 6 shows the multiplexing (muxing) of I/O signals with the expansion bus interface signals. The mapping of these pins varies depending on the memory mode.

Table 6. Expansion Bus Mux Mapping⁽¹⁾

GIO	EXPANSION BUS MODULE PINS ⁽²⁾	
	X8	X16
GIOB[0]	EBDMAREQ[0]	EBDMAREQ[0]
GIOC[0]	$\overline{\text{EBOE}}$	$\overline{\text{EBOE}}$
GIOC[2:1]	$\overline{\text{EBWR}}[1:0]$	$\overline{\text{EBWR}}[1:0]$
GIOC[4:3]	$\overline{\text{EBCS}}[6:5]$	$\overline{\text{EBCS}}[6:5]$
GIOD[5:0]	EBADDR[5:0]	EBADDR[5:0]
GIOE[7:0]	EBDATA[7:0]	EBDATA[7:0]
GIOF[7:0]	EBADDR[13:6]	EBDATA[15:8]
GIOG[7:0]	EBADDR[21:14]	EBADDR[13:6]
GIOH[5]	$\overline{\text{EBHOLD}}$	$\overline{\text{EBHOLD}}$
I2C5SDA	EBADDR[26]	EBADDR[18]
I2C5SCL	EBADDR[25]	EBADDR[17]
I2C4SCL	EBADDR[24]	EBADDR[16]
I2C4SDA	EBADDR[23]	EBADDR[15]
GIOH[0]	EBADDR[22]	EBADDR[14]

1 These mappings are controlled by the EBM mux control registers B–H (EBMXCRB–EBMXCRH) and the EBM control register 1 (EBMCR1). For more detailed information, see the *TMS470R1x Expansion Bus Module (EBM) Reference Guide* (literature number SPNU222) and the *TMS470R1x General Purpose Input/Output Reference Guide* (literature number SPNU192).

2 X8 refers to size of memory in 8-bits; X16 refers to size of memory in 16-bits.

Table 7 lists the names of the expansion bus interface signals and their functions.

Table 7. Expansion Bus Pins

PIN	DESCRIPTION
EBDMAREQ	Expansion bus DMA request
$\overline{\text{EBOE}}$	Expansion bus pin enable
$\overline{\text{EBWR}}$	Expansion bus write strobe. $\overline{\text{EBWR}}[1]$ controls EBDATA[15:8] and $\overline{\text{EBWR}}[0]$ controls EBDATA[7:0]
EBCS	Expansion bus chip select
EBADDR	Expansion bus address pin
EBDATA	Expansion bus data pin
$\overline{\text{EBHOLD}}$	Expansion bus hold. An external device may assert this signal to add wait states to an expansion bus transaction.

TMS470R1VF48C/VF48B

16/32-BIT RISC FLASH MICROCONTROLLERS

SPNS093D – MAY 2004 – REVISED FEBRUARY 2006

MibADC

The multi-buffered analog-to-digital converter (MibADC) accepts an analog signal and converts the signal to a 10-bit digital value.

The VF48x MibADC module can function in two modes: compatibility mode, where its programmer's model is compatible with the TMS470R1x ADC module and its digital results are stored in digital result registers; or in buffered mode, where the digital result registers are replaced with three FIFO buffers, one for each conversion group [event, group1 (G1), and group2 (G2)]. In buffered mode, the MibADC buffers can be serviced by interrupts or by the DMA.

MibADC event trigger enhancements

The MibADC includes two major enhancements over the event-triggering capability of the TMS470R1x ADC.

- Both group 1 and the event group can be configured for event-triggered operation, providing up to two event-triggered groups.
- The trigger source and polarity can be selected individually for both group 1 and the event group from the options identified in Table 8.

Table 8. MibADC Event Hookup Configuration

EVENT #	SOURCE SELECT BITS FOR G1 OR EVENT (G1SRC[1:0] or EVSRC[1:0])	SIGNAL PIN NAME
EVENT1	00	ADEVT
EVENT2	01	HET18
EVENT3	10	RESERVED
EVENT4	11	RESERVED

For group 1, these event-triggered selections are configured via the group 1 source select bits (G1SRC[1:0]) in the AD event source register (ADEVTSRC.[5:4]). For the event group, these event-triggered selections are configured via the event group source select bits (EVSRC[1:0]) in the AD event source register (ADEVTSRC.[1:0]).

For more detailed functional information on the MibADC, see the *TMS470R1x Multi-Buffered Analog-to-Digital Converter (MibADC) Reference Guide* (literature number SPNU206).

JTAG interface

There are two main test access ports (TAPs) on the VF748C device:

- TMS470R1x CPU TAP
- Device TAP for factory test

Some of the JTAG pins are shared among these two TAPs. The hookup is illustrated in Figure 3.

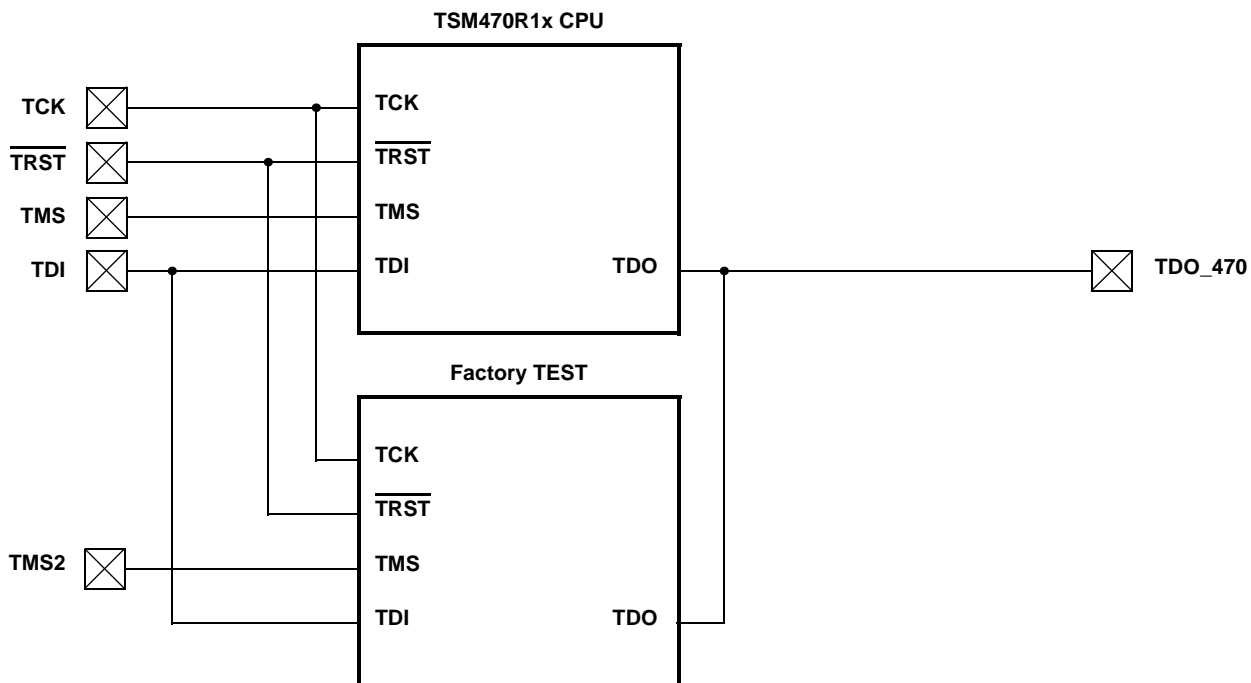


Figure 3. JTAG Interface

TMS470R1VF48C/VF48B

16/32-BIT RISC FLASH MICROCONTROLLERS

SPNS093D – MAY 2004 – REVISED FEBRUARY 2006

development system support

Texas Instruments provides extensive hardware and software development support tools for the TMS470R1x family. These support tools include:

- Code Composer Studio™ Integrated Development Environment (IDE)
 - Fully integrated suite of software development tools
 - Includes Compiler/Assembler/Linker, Debugger, and Simulator
 - Supports Real-Time analysis, data visualization, and open API
- Optimizing C compiler
 - Supports high-level language programming
 - Full implementation of the standard ANSI C language
 - Powerful optimizer that improves code-execution speed and reduces code size
 - Extensive run-time support library included
 - TMS470R1x control registers easily accessible from the C program
 - Interfaces C functions and assembly functions easily
 - Establishes comprehensive, easy-to-use tool set for the development of high-performance microcontroller applications in C/C++
- Assembly language tools (assembler and linker)
 - Provides extensive macro capability
 - Allows high-speed operation
 - Allows extensive control of the assembly process using assembler directives
 - Automatically resolves memory references as C and assembly modules are combined
- TMS470R1x CPU Simulator
 - Provides capability to simulate CPU operation without emulation hardware
 - Allows inspection and modifications of memory locations
 - Allows debugging programs in C or assembly language
- XDS emulation communication kits
 - Allows high-speed JTAG communication to the TMS470R1x emulator or target board

For more information on pricing and availability, contact the nearest TI field sales office or authorized distributor.

Code Composer Studio is a trademark of Texas Instruments.



documentation support

Extensive documentation supports all of the TMS470 microcontroller family generation of devices. The types of documentation available include: data sheets with design specifications; complete user's guides for all devices and development support tools; and hardware and software applications. Useful reference documentation includes:

- User's Guides
 - *TMS470R1x 32-Bit RISC Microcontroller Family User's Guide* (literature number SPNU134)
 - *TMS470R1x C/C++ Compiler User's Guide* (literature number SPNU151)
 - *TMS470R1x Code Generation Tools Getting Started Guide* (literature number SPNU117)
 - *TMS470R1x C Source Debugger User's Guide* (literature number SPNU124)
 - *TMS470R1x Assembly Language Tools User's Guide* (literature number SPNU118)
 - *TMS470R1x System Module Reference Guide* (literature number SPNU189)
 - *TMS470R1x Direct Memory Access (DMA) Controller Reference Guide* (literature number SPNU194)
 - *TMS470R1x Serial Peripheral Interface (SPI) Reference Guide* (literature number SPNU195)
 - *TMS470R1x Serial Communication Interface (SCI) Reference Guide* (literature number SPNU196)
 - *TMS470R1x Controller Area Network (CAN) Reference Guide* (literature number SPNU197)
 - *TMS470R1x High-End Timer (HET) Reference Guide* (literature number SPNU199)
 - *TMS470R1x External Clock Prescale (ECP) Reference Guide* (literature number SPNU202)
 - *TMS470R1x Multi-Buffered Analog-to-Digital Converter (MibADC) Reference Guide* (literature number SPNU206)
 - *TMS470R1x F05 Flash Reference Guide* (literature number SPNU213)
 - *TMS470R1x Frequency-Modulated Phase-Locked Loop (FMPLL) Clock Module Reference Guide* (literature number SPNU221)
 - *TMS470R1x Expansion Bus Module (EBM) Reference Guide* (literature number SPNU222)
 - *TMS470R1x Inter-Integrated Circuit (I2C) Reference Guide* (literature number SPNU223)
 - *TMS470R1x JTAG Security Module Reference Guide* (literature number SPNU245)
 - *TMS470R1x Memory Security Module Reference Guide* (literature number SPNU246)
- Application Reports:
 - *Analog Watchdog Resistor, Capacitor and Discharge Interval Selection Constraints* (literature number SPNA005)
 - *F05/C05 Power Up Reset and Power Sequencing Requirements* (literature number SPNA009)

TMS470R1VF48C/VF48B 16/32-BIT RISC FLASH MICROCONTROLLERS

SPNS093D – MAY 2004 – REVISED FEBRUARY 2006

device numbering conventions

Figure 4 illustrates the numbering and symbol nomenclature for the TMS470R1x family.

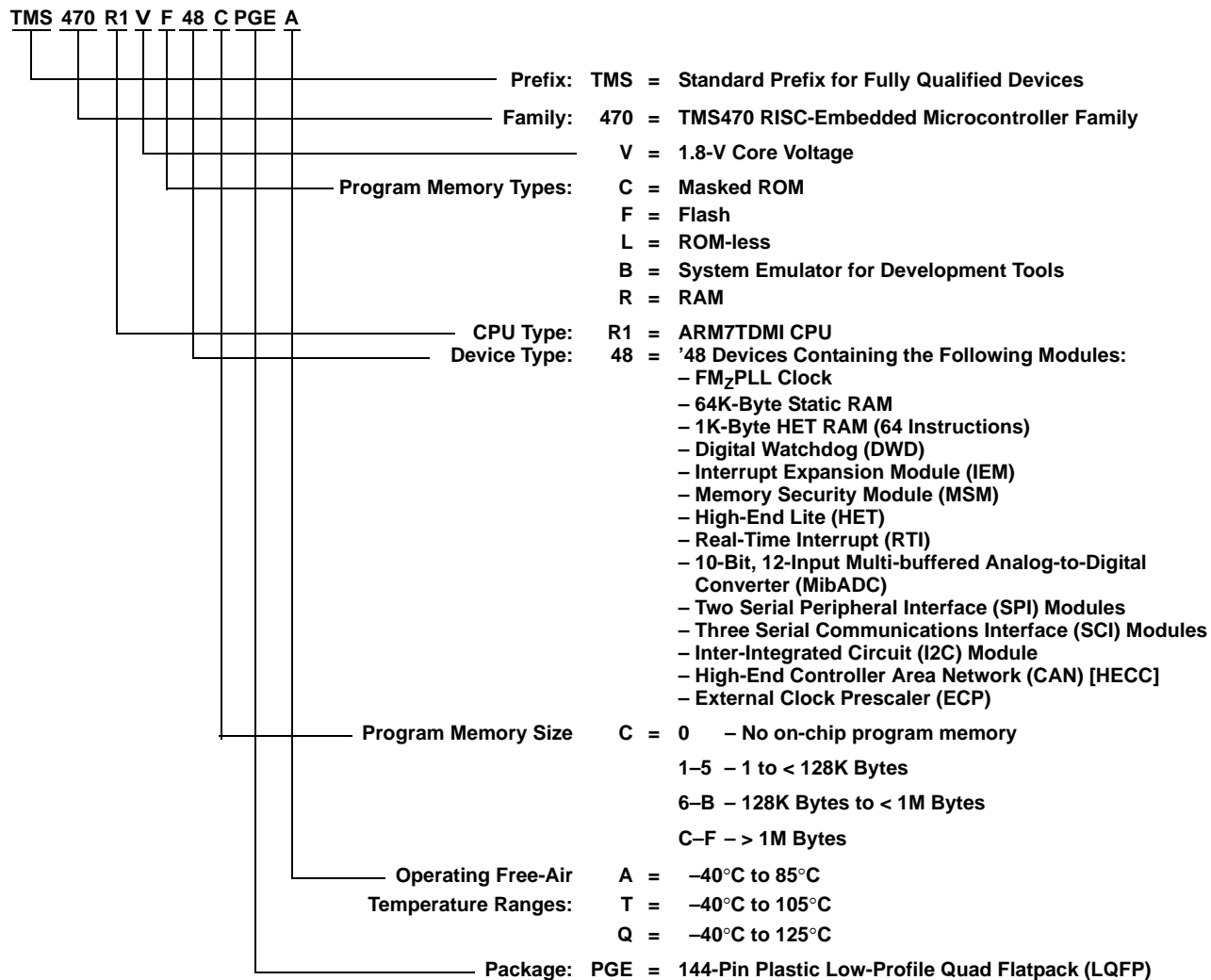
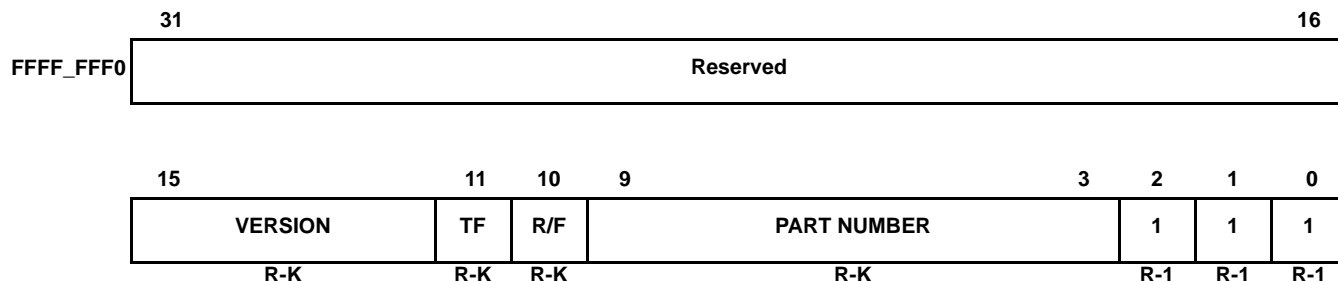


Figure 4. TMS470R1x Family Nomenclature

device identification code register

The device identification code register identifies the silicon version, the technology family (TF), a ROM or flash device, and an assigned device-specific part number (see Table 9). The VF48x device identification code register value is 0x0A5F.

Table 9. TMS470 Device ID Bit Allocation Register



LEGEND:

For bits 3–15: R = Read only, -K = Value constant after $\overline{\text{RESET}}$

For bits 0–2: R = Read only, -1 = Value after RESET

Transmission Request Reset Register (CANTRR) Field Descriptions

Bit	Name	Value	Description
31–16	Reserved		Reads are undefined and writes have no effect.
15–12	VERSION		Silicon version (revision) bits These bits identify the silicon version of the device.
11	TF		Technology family bit This bit distinguishes the technology family core power supply:
		0	3.3 V for F10/C10 devices
		1	1.8 V for F05/C05 devices
10	R/F		ROM/flash bit This bit distinguishes between ROM and flash devices:
		0	Flash device
		1	ROM device
9–3	PART NUMBER		Device-specific part number bits These bits identify the assigned device-specific part number. The assigned device-specific part number for the VF48x device is 1001011.
2–0	1 Mandatory High		Bits 2, 1, and 0 are tied high by default.

TMS470R1VF48C/VF48B 16/32-BIT RISC FLASH MICROCONTROLLERS

SPNS093D – MAY 2004 – REVISED FEBRUARY 2006

device part numbers

Table 10 lists all the available TMS470R1VF48x devices.

Table 10. Device Part Numbers

DEVICE PART NUMBER	PROGRAM MEMORY		PACKAGE TYPE	TEMPERATURE RANGES		
	ROM	FLASH EEPROM	144-PIN LQFP	-40°C TO 85°C	-40°C TO 105°C	-40°C TO 125°C
TMS470R1VF48BPGEA		X	X	X		
TMS470R1VF48BPGET		X	X		X	
TMS470R1VF48BPGEQ		X	X			X
TMS470R1VF48CPGEA		X	X	X		
TMS470R1VF48CPGET		X	X		X	
TMS470R1VF48CPGEQ		X	X			X

DEVICE ELECTRICAL SPECIFICATIONS AND TIMING PARAMETERS

absolute maximum ratings over operating free-air temperature range, A version (unless otherwise noted)⁽¹⁾

Supply voltage ranges: V_{CC} ⁽²⁾	–0.3 V to 2.5 V
Supply voltage ranges: V_{CCIO} , V_{CCAD} , V_{CCP} (flash pump) ⁽²⁾	–0.3 V to 4.1 V
Input voltage range: All 5 V tolerant input pins	–0.3 V to 6.0 V
All other input pins	–0.3 V to 4.1 V
Input clamp current: All 5 V tolerant pins, \overline{PORRST} , \overline{TRST} , TEST and TCK ($V_I < 0$)	–20mA
ADIN[0:11] I_{IK} ($V_I < 0$ or $V_I > V_{CCAD}$)	±10 mA
All other pins I_{IK} ($V_I < 0$ or $V_I > V_{CCIO}$)	±20 mA
Operating free-air temperature ranges, T_A : A version	–40°C to 85°C
T version	–40°C to 105°C
Q version	–40°C to 125°C
Operating junction temperature range, T_J	–40°C to 150°C
Storage temperature range, T_{stg}	–40°C to 150°C

- 1 Stresses beyond those listed under “absolute maximum ratings” may cause permanent damage to the device. These are stress ratings only, and functional operation of the device at these or any other conditions beyond those indicated under “recommended operating conditions” is not implied. Exposure to absolute-maximum-rated conditions for extended periods may affect device reliability.
- 2 All voltage values are with respect to their associated grounds.

device recommended operating conditions⁽³⁾

		MIN	NOM	MAX	UNIT	
V_{CC}	Digital logic supply voltage (Core)	SYSCLK = 48MHz (pipeline mode enabled)		1.71	2.05	
		SYSCLK = 60MHz (pipeline mode enabled)		1.81	2.05	V
V_{CCIO}	Digital logic supply voltage (I/O)	3		3.6	V	
V_{CCAD}	ADC supply voltage	3		3.6	V	
V_{CCP}	Flash pump supply voltage	3		3.6	V	
V_{SS}	Digital logic supply ground		0		V	
V_{SSAD}	ADC supply ground ⁽³⁾	–0.1		0.1	V	
T_A	Operating free-air temperature	A version		–40	85	°C
		T version		–40	105	
		Q version		–40	125	°C
T_J	Operating junction temperature	–40		150	°C	

- 3 All voltages are with respect to V_{SS} , except V_{CCAD} , which is with respect to V_{SSAD} .

TMS470R1VF48C/VF48B

16/32-BIT RISC FLASH MICROCONTROLLERS

SPNS093D – MAY 2004 – REVISED FEBRUARY 2006

electrical characteristics over recommended operating free-air temperature range, A version (unless otherwise noted)⁽¹⁾

PARAMETER		TEST CONDITIONS	MIN	TYP	MAX	UNIT	
V _{hys}	Input hysteresis		0.15			V	
V _{IL}	Low-level input voltage	All inputs ⁽²⁾	-0.3		0.8	V	
V _{IH}	High-level input voltage	All inputs	2		V _{CCIO} + 0.3	V	
V _{th}	Input threshold voltage	AWD only ⁽³⁾	1.35		1.8	V	
V _{OL}	Low-level output voltage ⁽⁴⁾	I _{OL} = I _{OL} MAX			0.2 V _{CCIO}	V	
		I _{OL} = 50 μA			0.2		
V _{OH}	High-level output voltage ⁽⁴⁾	I _{OH} = I _{OH} MIN			0.8 V _{CCIO}	V	
		I _{OH} = 50 μA			V _{CCIO} - 0.2		
I _{IC}	Input clamp current (I/O pins) ⁽⁵⁾	V _I < V _{SSIO} - 0.3 or V _I > V _{CCIO} + 0.3	-2		2	mA	
I _I	Input current (3.3 V input pins)	I _{IL} Pulldown	V _I = V _{SS}	-1		1	μA
		I _{IH} Pulldown	V _I = V _{CCIO}	5		40	
		I _{IL} Pullup	V _I = V _{SS}	-40		-5	
		I _{IH} Pullup	V _I = V _{CCIO}	-1		1	
		All other pins	No pullup or pulldown	-1		1	
	Input current (5 V tolerant input pins)	V _I = V _{SS}	-1		1	μA	
		V _I = V _{CCIO}	1		5		
		V _I = 5 V	5		25		
V _I = 5.5 V		25		50			
I _{OL}	Low-level output current	CLKOUT, AWD, TDI, TDO, TMS, TMS2	V _{OL} = V _{OL} MAX			8	mA
		RST				4	
		All other 3.3 V I/O ⁽⁶⁾				2	
		5 V tolerant				4	
I _{OH}	High-level output current	CLKOUT, TDI, TDO, TMS, TMS2	V _{OH} = V _{OH} MIN			-8	mA
		RST				-4	
		All other 3.3 V I/O ⁽⁶⁾				-2	
		5 V tolerant				-4	

1 Source currents (out of the device) are negative while sink currents (into the device) are positive.

2 This does not apply to the PORRST pin. For PORRST exceptions, see the RST and PORRST timings section on page 41.

3 These values help to determine the external RC network circuit. For more details, see the *TMS470R1x System Module Reference Guide* (literature number SPNU189).

4 V_{OL} and V_{OH} are linear with respect to the amount of load current (I_{OL}/I_{OH}) applied.

5 Parameter does not apply to input-only or output-only pins.

6 Some of the 2 mA buffers on this device are zero-dominant buffers, as indicated by a -z in the Output Current column of the Terminal Functions table. If two of these buffers are shorted together and one is outputting a low level and the other is outputting a high level, the resulting value will always be low.

7 The typical values indicated in this table are the expected values during operation under normal operating conditions: nominal V_{CC}, V_{CCIO}, or V_{CCAD}, room temperature.

8 For flash banks/pumps in sleep mode.

9 For reduced power consumption in low power mode, CANSRX and CANSTX should be driven output LOW.

10 I/O pins configured as inputs or outputs with no load. All pulldown inputs ≤ 0.2 V. All pullup inputs ≥ V_{CCIO} - 0.2 V.



TMS470R1VF48C/VF48B

16/32-BIT RISC FLASH MICROCONTROLLERS

SPNS093D – MAY 2004 – REVISED FEBRUARY 2006

electrical characteristics over recommended operating free-air temperature range, A version (unless otherwise noted)⁽¹⁾ (continued)

PARAMETER		TEST CONDITIONS	MIN	TYP ⁽⁷⁾	MAX	UNIT
I _{CC}	V _{CC} Digital supply current (operating mode)	SYSCLK = 48 MHz, V _{CC} = 2.05 V			125	mA
		SYSCLK = 60 MHz, V _{CC} = 2.05 V			125	mA
	V _{CC} Digital supply current (standby mode) ⁽⁸⁾⁽⁹⁾	OSCIN = 5 MHz, V _{CC} = 2.05 V			1.30	mA
	V _{CC} Digital supply current (halt mode) ⁽⁸⁾⁽⁹⁾	V _{CC} = 2.05 V			700	μA
I _{CCIO}	V _{CCIO} Digital supply current (operating mode)	No DC load, V _{CCIO} = 3.6 V ⁽¹⁰⁾			15	mA
	V _{CCIO} Digital supply current (standby mode) ⁽⁹⁾	No DC load, V _{CCIO} = 3.6 V ⁽¹⁰⁾			10	μA
	V _{CCIO} Digital supply current (halt mode) ⁽⁹⁾	No DC load, V _{CCIO} = 3.6 V ⁽¹⁰⁾			10	μA
I _{CCAD}	V _{CCAD} supply current (operating mode)	All frequencies, V _{CCAD} = 3.6 V			15	mA
	V _{CCAD} supply current (standby mode)	No DC load, V _{CCAD} = 3.6 V			10	μA
	V _{CCAD} supply current (halt mode)	V _{CCAD} = 3.6 V			10	μA
I _{CCP}	V _{CCP} pump supply current	SYSCLK = 48 MHz, V _{CCP} = 3.6 V read operation			45	mA
		SYSCLK = 60 MHz, V _{CCP} = 3.6 V read operation			55	
		V _{CCP} = 3.6 V program and erase			70	mA
		V _{CCP} = 3.6 V standby mode operation ⁽⁸⁾			10	μA
		V _{CCP} = 3.6 V halt mode operation ⁽⁸⁾			10	μA
C _I	Input capacitance			2		pF
C _O	Output capacitance			3		pF

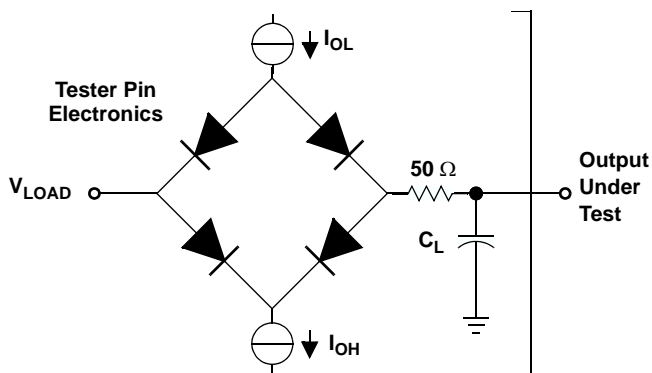
- 1 Source currents (out of the device) are negative while sink currents (into the device) are positive.
- 2 This does not apply to the $\overline{\text{PORRST}}$ pin. For $\overline{\text{PORRST}}$ exceptions, see the $\overline{\text{RST}}$ and $\overline{\text{PORRST}}$ timings section on page 41.
- 3 These values help to determine the external RC network circuit. For more details, see the *TMS470R1x System Module Reference Guide* (literature number SPNU189).
- 4 V_{OL} and V_{OH} are linear with respect to the amount of load current (I_{OL}/I_{OH}) applied.
- 5 Parameter does not apply to input-only or output-only pins.
- 6 Some of the 2 mA buffers on this device are zero-dominant buffers, as indicated by a -z in the Output Current column of the Terminal Functions table. If two of these buffers are shorted together and one is outputting a low level and the other is outputting a high level, the resulting value will always be low.
- 7 The typical values indicated in this table are the expected values during operation under normal operating conditions: nominal V_{CC}, V_{CCIO}, or V_{CCAD}, room temperature.
- 8 For flash banks/pumps in sleep mode.
- 9 For reduced power consumption in low power mode, CANSRX and CANSTX should be driven output LOW.
- 10 I/O pins configured as inputs or outputs with no load. All pulldown inputs ≤ 0.2 V. All pullup inputs ≥ V_{CCIO} – 0.2 V.



TMS470R1VF48C/VF48B 16/32-BIT RISC FLASH MICROCONTROLLERS

SPNS093D – MAY 2004 – REVISED FEBRUARY 2006

PARAMETER MEASUREMENT INFORMATION



Where: $I_{OL} = I_{OL \text{ MAX}}$ for the respective pin^(A)

$I_{OH} = I_{OH \text{ MIN}}$ for the respective pin^(A)

$V_{LOAD} = 1.5 \text{ V}$

$C_L = 150\text{-pF}$ typical load-circuit capacitance^(B)

A. For these values, see the "electrical characteristics over recommended operating free-air temperature range" table.

B. All timing parameters measured using an external load capacitance of 150 pF unless otherwise noted.

Figure 5. Test Load Circuit

timing parameter symbology

Timing parameter symbols have been created in accordance with JEDEC Standard 100. To shorten the symbols, some of the pin names and other related terminology have been abbreviated as follows:

CM	Compaction, CMPCT	RD	Read
CO	CLKOUT	RST	Reset, $\overline{\text{RST}}$
ER	Erase	RX	SCInRX
ICLK	Interface clock	S	Slave mode
M	Master mode	SCC	SCInCLK
OSC, OSCI	OSCIN	SIMO	SPInSIMO
OSCO	OSCOU	SOMI	SPInSOMI
P	Program, PROG	SPC	SPInCLK
R	Ready	SYS	System clock
R0	Read margin 0, RDMRGN0	TX	SCInTX
R1	Read margin 1, RDMRGN1		

Lowercase subscripts and their meanings are:

a	access time	r	rise time
c	cycle time (period)	su	setup time
d	delay time	t	transition time
f	fall time	v	valid time
h	hold time	w	pulse duration (width)

The following additional letters are used with these meanings:

H	High	X	Unknown, changing, or don't care level
L	Low	Z	High impedance
V	Valid		

TMS470R1VF48C/VF48B

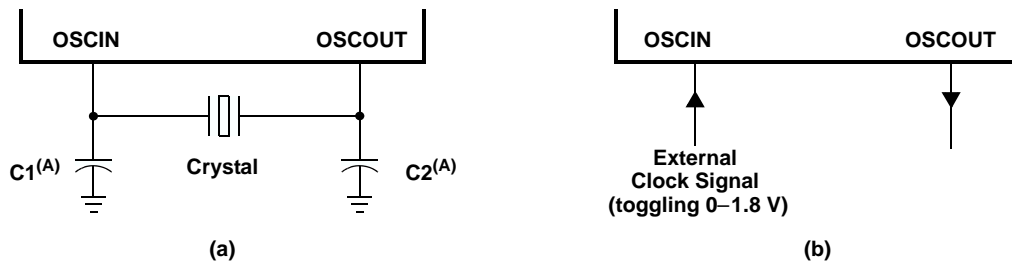
16/32-BIT RISC FLASH MICROCONTROLLERS

SPNS093D – MAY 2004 – REVISED FEBRUARY 2006

external reference resonator/crystal oscillator clock option

The oscillator is enabled by connecting the appropriate fundamental 4–10 MHz resonator/crystal and load capacitors across the external OSCIN and OSCOUT pins as shown in Figure 6a. The oscillator is a single-stage inverter held in bias by an integrated bias resistor. This resistor is disabled during leakage test measurement and HALT mode. **TI strongly encourages each customer to submit samples of the device to the resonator/crystal vendors for validation.** The vendors are equipped to determine what load capacitors will best tune their resonator/crystal to the microcontroller device for optimum start-up and operation over temperature/voltage extremes.

An external oscillator source can be used by connecting a 1.8 V clock signal to the OSCIN pin and leaving the OSCOUT pin unconnected (open) as shown in Figure 6b.



A. The values of C1 and C2 should be provided by the resonator/crystal vendor.

Figure 6. Crystal/Clock Connection

FM_ZPLL and clock specifications

timing requirements for FM_ZPLL circuits enabled or disabled

		MIN	TYP	MAX	UNIT
f _(OSC)	Input clock frequency	4		10	MHz
t _{c(OSC)}	Cycle time, OSCIN	100			ns
t _{w(OSCIL)}	Pulse duration, OSCIN low	15			ns
t _{w(OSCIH)}	Pulse duration, OSCIN high	15			ns
f _(OSCRST)	OSC FAIL frequency ⁽¹⁾		53		kHz

1 Causes a device reset (specifically a clock reset) by setting the RST OSC FAIL (GLBCTRL.15) and the OSC FAIL flag (GLBSTAT.1) bits equal to 1. For more detailed information on these bits and device resets, see the *TMS470R1x System Module Reference Guide* (literature number SPNU189).

switching characteristics over recommended operating conditions for clocks⁽¹⁾⁽²⁾⁽³⁾

PARAMETER		TEST CONDITIONS ⁽⁴⁾	MIN	MAX	UNIT
f _(SYS)	System clock frequency ⁽⁵⁾	Pipeline mode enabled		60 ⁽⁶⁾	MHz
		Pipeline mode disabled		24	MHz
f _(CONFIG)	System clock frequency - flash config mode			24	MHz
f _(ICLK)	Interface clock frequency	Pipeline mode enabled		30	MHz
		Pipeline mode disabled		24	MHz
f _(ECLK)	External clock output frequency for ECP module	Pipeline mode enabled		30	MHz
		Pipeline mode disabled		24	MHz
t _{c(SYS)}	Cycle time, system clock	Pipeline mode enabled	16.7		ns
		Pipeline mode disabled	41.6		ns
t _{c(CONFIG)}	Cycle time, system clock - flash config mode		41.6		ns
t _{c(ICLK)}	Cycle time, interface clock	Pipeline mode enabled	33.3		ns
		Pipeline mode disabled	41.6		ns
t _{c(ECLK)}	Cycle time, ECP module external clock output	Pipeline mode enabled	33.3		ns
		Pipeline mode disabled	41.6		ns

1 $f_{(SYS)} = M \times f_{(OSC)} / R$, where $M = \{8\}$, $R = \{1,2,3,4,5,6,7,8\}$ when PLLDIS = 0. R is the system-clock divider determined by the CLKDIVPRE [2:0] bits in the global control register (GLBCTRL.[2:0]) and M is the PLL multiplier determined by the MULT4 bit also in the GLBCTRL register (GLBCTRL.3).

$f_{(SYS)} = f_{(OSC)} / R$, where $R = \{1,2,3,4,5,6,7,8\}$ when PLLDIS = 1.

$f_{(ICLK)} = f_{(SYS)} / X$, where $X = \{1,2,3,4,5,6,7,8,9,10,11,12,13,14,15,16\}$. X is the interface clock divider ratio determined by the PCR0.[4:1] bits in the SYS module.

2 $f_{(ECLK)} = f_{(ICLK)} / N$, where $N = \{1 \text{ to } 256\}$. N is the ECP prescale value defined by the ECPCTRL.[7:0] register bits in the ECP module.

3 Only ZPLL mode is available. FM mode must not be turned on.

4 Pipeline mode enabled or disabled is determined by the ENPIPE bit (FMREGOPT.0).

5 Flash Vread must be set to 5V to achieve maximum system clock frequency.

6 Operating V_{CC} range for this system clock frequency is 1.81 to 2.05V.

TMS470R1VF48C/VF48B 16/32-BIT RISC FLASH MICROCONTROLLERS

SPNS093D – MAY 2004 – REVISED FEBRUARY 2006

FM₂PLL and clock specifications (continued)

switching characteristics over recommended operating conditions for external clocks
(see Figure 7 and Figure 8)⁽¹⁾⁽²⁾⁽³⁾

NO.	PARAMETER	TEST CONDITIONS	MIN	MAX	UNIT
1	$t_{w(COL)}$ Pulse duration, CLKOUT low	SYSCLK or MCLK ⁽⁴⁾	$0.5t_{c(SYS)} - t_f$		ns
		ICLK: X is even or 1 ⁽⁵⁾ .	$0.5t_{c(ICLK)} - t_f$		
		ICLK: X is odd and not 1 ⁽⁵⁾ .	$0.5t_{c(ICLK)} + 0.5t_{c(SYS)} - t_f$		
2	$t_{w(COH)}$ Pulse duration, CLKOUT high	SYSCLK or MCLK ⁽⁴⁾	$0.5t_{c(SYS)} - t_r$		ns
		ICLK: X is even or 1 ⁽⁵⁾ .	$0.5t_{c(ICLK)} - t_r$		
		ICLK: X is odd and not 1 ⁽⁵⁾ .	$0.5t_{c(ICLK)} - 0.5t_{c(SYS)} - t_r$		
3	$t_{w(EOL)}$ Pulse duration, ECLK low	N is even and X is even or odd.	$0.5t_{c(ECLK)} - t_f$		ns
		N is odd and X is even.	$0.5t_{c(ECLK)} - t_f$		
		N is odd and X is odd and not 1.	$0.5t_{c(ECLK)} + 0.5t_{c(SYS)} - t_f$		
4	$t_{w(EOH)}$ Pulse duration, ECLK high	N is even and X is even or odd.	$0.5t_{c(ECLK)} - t_r$		ns
		N is odd and X is even.	$0.5t_{c(ECLK)} - t_r$		
		N is odd and X is odd and not 1.	$0.5t_{c(ECLK)} - 0.5t_{c(SYS)} - t_r$		

1 X = {1,2,3,4,5,6,7,8,9,10,11,12,13,14,15,16}. X is the interface clock divider ratio determined by the PCR0.[4:1] bits in the SYS module.

2 N = {1 to 256}. N is the ECP prescale value defined by the ECPCTRL.[7:0] register bits in the ECP module.

3 CLKOUT/ECLK pulse durations (low/high) are a function of the OSCIN pulse durations when PLLDIS is active.

4 Clock source bits are selected as either SYSCLK (CLKCNTL.[6:5] = 11 binary) or MCLK (CLKCNTL.[6:5] = 10 binary).

5 Clock source bits are selected as ICLK (CLKCNTL.[6:5] = 01 binary).

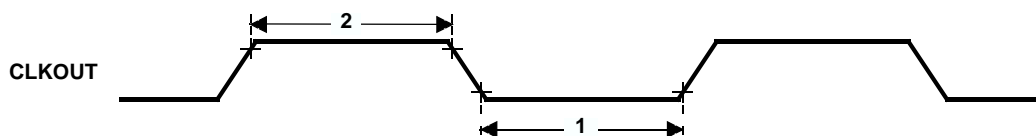


Figure 7. CLKOUT Timing Diagram

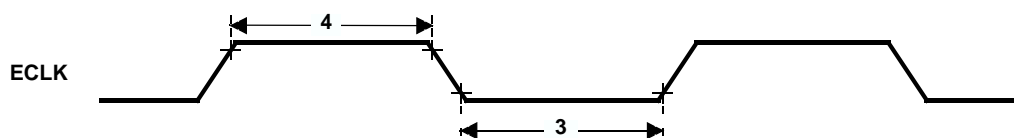


Figure 8. ECLK Timing Diagram

RST and PORRST timings

timing requirements for $\overline{\text{PORRST}}^{(1)}$ (see Figure 9)

NO.		MIN	MAX	UNIT
	V_{CCPORL}		0.6	V
	V_{CCPORH}	1.5		V
	$V_{CCIOPORL}$		1.1	V
	$V_{CCIOPORH}$	2.75		V
	V_{IL}		$0.2 V_{CCIO}$	V
	$V_{IL(\text{PORRST})}$		0.5	V
3	$t_{su(\text{PORRST})r}$	0		ms
5	$t_{su(V_{CCIO})r}$	0		ms
6	$t_{h(\text{PORRST})r}$	1		ms
7	$t_{su(\text{PORRST})f}$	8		μs
8	$t_{h(\text{PORRST})rio}$	1		ms
9	$t_{h(\text{PORRST})d}$	0		ms
10	$t_{su(\text{PORRST})fio}$	0		ns
11	$t_{su(V_{CCIO})f}$	0		ns

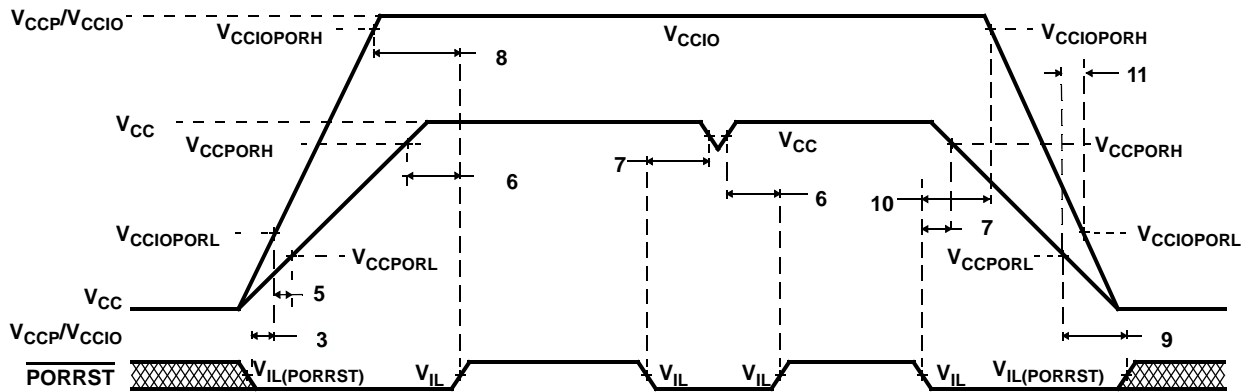


Figure 9. $\overline{\text{PORRST}}$ Timing Diagram

switching characteristics over recommended operating conditions for $\overline{\text{RST}}^{(1)}$

PARAMETER		MIN	MAX	UNIT
$t_{v(\text{RST})}$	Valid time, $\overline{\text{RST}}$ active after $\overline{\text{PORRST}}$ inactive	$4112t_{c(\text{OSC})}$		ns
	Valid time, $\overline{\text{RST}}$ active (all others)	$8t_{c(\text{SYS})}$		
t_{fsu}	Flash start up time, from $\overline{\text{RST}}$ inactive to fetch of first instruction from flash (flash pump stabilization time)	$836t_{c(\text{OSC})}$		ns

1 Specified values do NOT include rise/fall times. For rise and fall timings, see the "switching characteristics for output timings versus load capacitance" table.

TMS470R1VF48C/VF48B 16/32-BIT RISC FLASH MICROCONTROLLERS

SPNS093D – MAY 2004 – REVISED FEBRUARY 2006

JTAG scan interface timing (JTAG clock specification 10-MHz and 50-pF load on TDO output)

NO.		MIN	MAX	UNIT
1	$t_{c(JTAG)}$ Cycle time, JTAG low and high period	50		ns
2	$t_{su(TDI/TMS - TCKr)}$ Setup time, TDI, TMS before TCK rise (TCKr)	15		ns
3	$t_h(TCKr - TDI/TMS)$ Hold time, TDI, TMS after TCKr	15		ns
4	$t_h(TCKf - TDO)$ Hold time, TDO after TCKf	10		ns
5	$t_d(TCKf - TDO)$ Delay time, TDO valid after TCK fall (TCKf)		45	ns

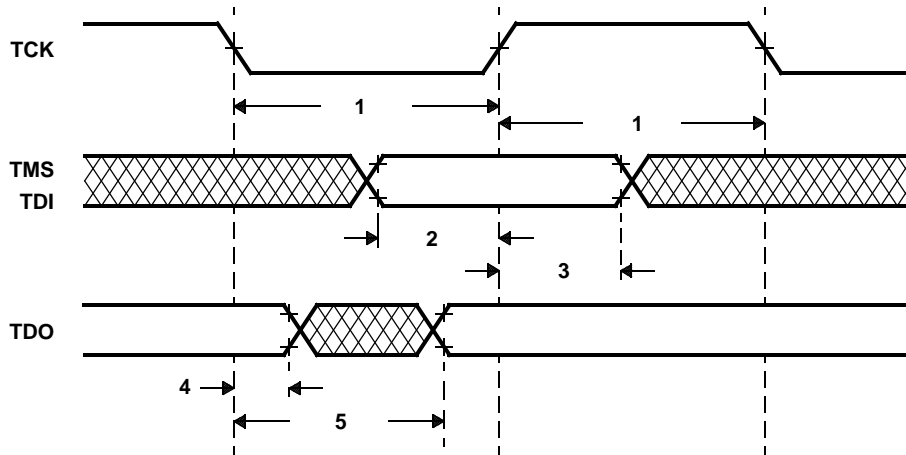


Figure 10. JTAG Scan Timings

output timings

switching characteristics for output timings versus load capacitance (C_L) (see Figure 11)

PARAMETER		MIN	MAX	UNIT	
t_r	Rise time, AWD, CLKOUT, TDI, TDO, TMS, TMS2	$C_L = 15 \text{ pF}$	0.5	2.5	ns
		$C_L = 50 \text{ pF}$	1.5	5.0	
		$C_L = 100 \text{ pF}$	3.0	9.0	
		$C_L = 150 \text{ pF}$	4.5	12.5	
t_f	Fall time, AWD, CLKOUT, TDI, TDO, TMS, TMS2	$C_L = 15 \text{ pF}$	0.5	2.5	ns
		$C_L = 50 \text{ pF}$	1.5	5.0	
		$C_L = 100 \text{ pF}$	3.0	9.0	
		$C_L = 150 \text{ pF}$	4.5	12.5	
t_r	Rise time, $\overline{\text{RST}}$	$C_L = 15 \text{ pF}$	2.5	8	ns
		$C_L = 50 \text{ pF}$	5	14	
		$C_L = 100 \text{ pF}$	9	23	
		$C_L = 150 \text{ pF}$	13	32	
t_r	Rise time, 4mA, 5 V tolerant pins	$C_L = 15 \text{ pF}$	3	10	ns
		$C_L = 50 \text{ pF}$	3.5	12	
		$C_L = 100 \text{ pF}$	7	21	
		$C_L = 150 \text{ pF}$	9	28	
		$C_L = 400 \text{ pF}$	18	40	
t_f	Fall time, 4mA, 5 V tolerant pins	$C_L = 15 \text{ pF}$	2	8	ns
		$C_L = 50 \text{ pF}$	2.5	9	
		$C_L = 100 \text{ pF}$	8	25	
		$C_L = 150 \text{ pF}$	11	35	
		$C_L = 400 \text{ pF}$	20	45	
t_r	Rise time, all other output pins	$C_L = 15 \text{ pF}$	2.5	10	ns
		$C_L = 50 \text{ pF}$	6.0	25	
		$C_L = 100 \text{ pF}$	12	45	
		$C_L = 150 \text{ pF}$	18	65	
t_f	Fall time, all other output pins	$C_L = 15 \text{ pF}$	3	10	ns
		$C_L = 50 \text{ pF}$	8.5	25	
		$C_L = 100 \text{ pF}$	16	45	
		$C_L = 150 \text{ pF}$	23	65	

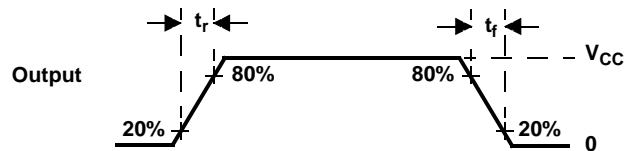


Figure 11. CMOS-Level Outputs

TMS470R1VF48C/VF48B 16/32-BIT RISC FLASH MICROCONTROLLERS

SPNS093D – MAY 2004 – REVISED FEBRUARY 2006

input timings

timing requirements for input timings⁽¹⁾ (see Figure 12)

	MIN	MAX	UNIT
t_{pw} Input minimum pulse width	$t_{c(ICK)} + 10$		ns

1 $t_{c(ICK)}$ = interface clock cycle time = $1/f_{(ICK)}$

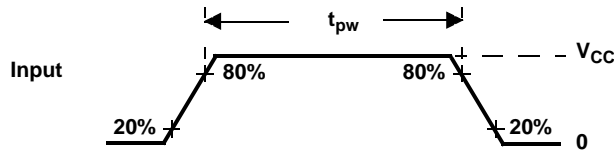


Figure 12. CMOS-Level Inputs

flash timings

timing requirements for program flash⁽¹⁾

	MIN	TYP	MAX	UNIT
$t_{prog(16-bit)}$ Half word (16-bit) programming time	4	16	200	μ s
$t_{prog(Total)}$ 1M-byte programming time ⁽²⁾		8	32	s
$t_{erase(sector)}$ Sector erase time		7		s
t_{wec} Write/erase cycles at $T_A = 125^\circ\text{C}$	100	1000		cycles
$t_{fp(\overline{RST})}$ Flash pump settling time from \overline{RST} to SLEEP		$167t_{c(SYS)}$		ns
$t_{fp(SLEEP)}$ Initial flash pump settling time from SLEEP to STANDBY		$167t_{c(SYS)}$		ns
$t_{fp(STANDBY)}$ Initial flash pump settling time from STANDBY to ACTIVE		$84t_{c(SYS)}$		ns

1 For more detailed information on the flash core sectors, see the "flash program and erase" section of this data sheet.

2 The 1M-byte programming time includes overhead of state machine.

SPIn master mode timing parameters

SPIn master mode external timing parameters (CLOCK PHASE = 0, SPInCLK = output, SPInSIMO = output, and SPInSOMI = input)⁽¹⁾⁽²⁾⁽³⁾ (see Figure 13)

NO.		MIN	MAX	UNIT
1	$t_{c(SPC)M}$ Cycle time, SPInCLK ⁽⁴⁾	100	$256t_{c(ICLK)}$	ns
2 ⁽⁵⁾	$t_{w(SPCH)M}$ Pulse duration, SPInCLK high (clock polarity = 0)	$0.5t_{c(SPC)M} - t_r$	$0.5t_{c(SPC)M} + 5$	
	$t_{w(SPCL)M}$ Pulse duration, SPInCLK low (clock polarity = 1)	$0.5t_{c(SPC)M} - t_f$	$0.5t_{c(SPC)M} + 5$	
3 ⁽⁵⁾	$t_{w(SPCL)M}$ Pulse duration, SPInCLK low (clock polarity = 0)	$0.5t_{c(SPC)M} - t_f$	$0.5t_{c(SPC)M} + 5$	
	$t_{w(SPCH)M}$ Pulse duration, SPInCLK high (clock polarity = 1)	$0.5t_{c(SPC)M} - t_r$	$0.5t_{c(SPC)M} + 5$	
4 ⁽⁵⁾	$t_{d(SPCH-SIMO)M}$ Delay time, SPInCLK high to SPInSIMO valid (clock polarity = 0)		10	
	$t_{d(SPCL-SIMO)M}$ Delay time, SPInCLK low to SPInSIMO valid (clock polarity = 1)		10	
5 ⁽⁵⁾	$t_{v(SPCL-SIMO)M}$ Valid time, SPInSIMO data valid after SPInCLK low (clock polarity = 0)	$t_{c(SPC)M} - 5 - t_f$		
	$t_{v(SPCH-SIMO)M}$ Valid time, SPInSIMO data valid after SPInCLK high (clock polarity = 1)	$t_{c(SPC)M} - 5 - t_r$		
6 ⁽⁵⁾	$t_{su(SOMI-SPCL)M}$ Setup time, SPInSOMI before SPInCLK low (clock polarity = 0)	6		
	$t_{su(SOMI-SPCH)M}$ Setup time, SPInSOMI before SPInCLK high (clock polarity = 1)	6		
7 ⁽⁵⁾	$t_{v(SPCL-SOMI)M}$ Valid time, SPInSOMI data valid after SPInCLK low (clock polarity = 0)	4		
	$t_{v(SPCH-SOMI)M}$ Valid time, SPInSOMI data valid after SPInCLK high (clock polarity = 1)	4		

1 The MASTER bit (SPInCTRL2.3) is set and the CLOCK PHASE bit (SPInCTRL2.0) is cleared.

2 $t_{c(ICLK)}$ = interface clock cycle time = $1/f_{(ICLK)}$

3 For rise and fall timings, see the "switching characteristics for output timings versus load capacitance" table.

4 When the SPI is in master mode, the following must be true:

For PS values from 1 to 255: $t_{c(SPC)M} \geq (PS + 1)t_{c(ICLK)} \geq 100$ ns, where PS is the prescale value set in the SPInCTL1.[12:5] register bits.

For PS values of 0: $t_{c(SPC)M} = 2t_{c(ICLK)} \geq 100$ ns.

5 The active edge of the SPInCLK signal referenced is controlled by the CLOCK POLARITY bit (SPInCTRL2.1).

TMS470R1VF48C/VF48B 16/32-BIT RISC FLASH MICROCONTROLLERS

SPNS093D – MAY 2004 – REVISED FEBRUARY 2006

SPIn master mode timing parameters (continued)

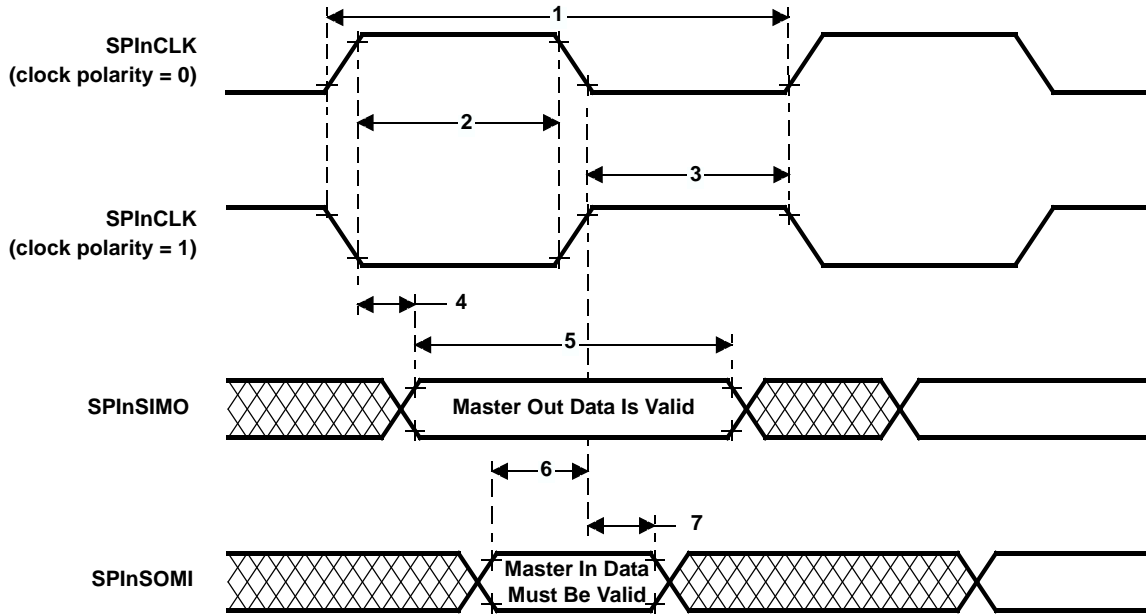


Figure 13. SPIn Master Mode External Timing (CLOCK PHASE = 0)

SPI master mode timing parameters (continued)

SPI master mode external timing parameters (CLOCK PHASE = 1, SPInCLK = output, SPInSIMO = output, and SPInSOMI = input)⁽¹⁾⁽²⁾⁽³⁾ (see Figure 14)

NO.		MIN	MAX	UNIT
1	$t_{c(SPC)M}$ Cycle time, SPInCLK ⁽⁴⁾	100	$256t_{c(ICLK)}$	ns
2 ⁽⁵⁾	$t_{w(SPCH)M}$ Pulse duration, SPInCLK high (clock polarity = 0)	$0.5t_{c(SPC)M} - t_r$	$0.5t_{c(SPC)M} + 5$	
	$t_{w(SPCL)M}$ Pulse duration, SPInCLK low (clock polarity = 1)	$0.5t_{c(SPC)M} - t_f$	$0.5t_{c(SPC)M} + 5$	
3 ⁽⁵⁾	$t_{w(SPCL)M}$ Pulse duration, SPInCLK low (clock polarity = 0)	$0.5t_{c(SPC)M} - t_f$	$0.5t_{c(SPC)M} + 5$	
	$t_{w(SPCH)M}$ Pulse duration, SPInCLK high (clock polarity = 1)	$0.5t_{c(SPC)M} - t_r$	$0.5t_{c(SPC)M} + 5$	
4 ⁽⁵⁾	$t_{v(SIMO-SPCH)M}$ Valid time, SPInCLK high after SPInSIMO data valid (clock polarity = 0)	$0.5t_{c(SPC)M} - 10$		
	$t_{v(SIMO-SPCL)M}$ Valid time, SPInCLK low after SPInSIMO data valid (clock polarity = 1)	$0.5t_{c(SPC)M} - 10$		
5 ⁽⁵⁾	$t_{v(SPCH-SIMO)M}$ Valid time, SPInSIMO data valid after SPInCLK high (clock polarity = 0)	$0.5t_{c(SPC)M} - 5 - t_r$		
	$t_{v(SPCL-SIMO)M}$ Valid time, SPInSIMO data valid after SPInCLK low (clock polarity = 1)	$0.5t_{c(SPC)M} - 5 - t_f$		
6 ⁽⁵⁾	$t_{su(SOMI-SPCH)M}$ Setup time, SPInSOMI before SPInCLK high (clock polarity = 0)	6		
	$t_{su(SOMI-SPCL)M}$ Setup time, SPInSOMI before SPInCLK low (clock polarity = 1)	6		
7 ⁽⁵⁾	$t_{v(SPCH-SOMI)M}$ Valid time, SPInSOMI data valid after SPInCLK high (clock polarity = 0)	4		
	$t_{v(SPCL-SOMI)M}$ Valid time, SPInSOMI data valid after SPInCLK low (clock polarity = 1)	4		

1 The MASTER bit (SPInCTRL2.3) is set and the CLOCK PHASE bit (SPInCTRL2.0) is set.

2 $t_{c(ICLK)}$ = interface clock cycle time = $1/f_{(ICLK)}$

3 For rise and fall timings, see the "switching characteristics for output timings versus load capacitance" table.

4 When the SPI is in master mode, the following must be true:

For PS values from 1 to 255: $t_{c(SPC)M} \geq (PS + 1)t_{c(ICLK)} \geq 100$ ns, where PS is the prescale value set in the SPInCTL1.[12:5] register bits.

For PS values of 0: $t_{c(SPC)M} = 2t_{c(ICLK)} \geq 100$ ns.

5 The active edge of the SPInCLK signal referenced is controlled by the CLOCK POLARITY bit (SPInCTRL2.1).

TMS470R1VF48C/VF48B 16/32-BIT RISC FLASH MICROCONTROLLERS

SPNS093D – MAY 2004 – REVISED FEBRUARY 2006

SPIn master mode timing parameters (continued)

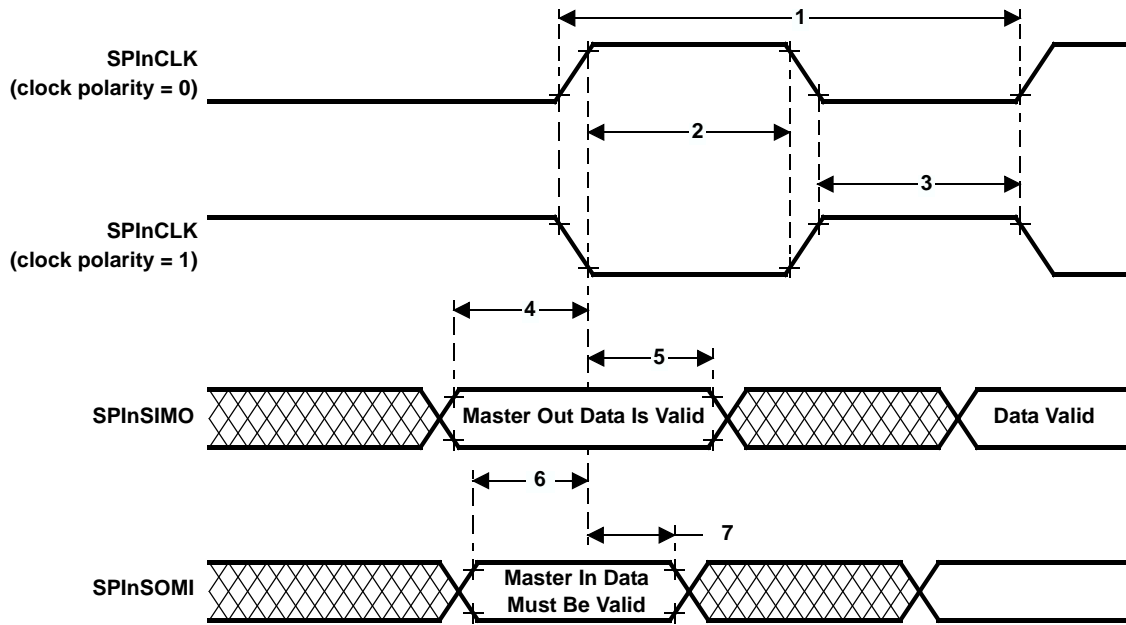


Figure 14. SPIn Master Mode External Timing (CLOCK PHASE = 1)

SPIn slave mode timing parameters

SPIn slave mode external timing parameters (CLOCK PHASE = 0, SPInCLK = input, SPInSIMO = input, and SPInSOMI = output)⁽¹⁾⁽²⁾⁽³⁾⁽⁴⁾ (see Figure 15)

NO		MIN	MAX	UNIT
1	$t_{c(SPC)S}$ Cycle time, SPInCLK ⁽⁵⁾	100	$256t_{c(ICLK)}$	ns
2 ⁽⁶⁾	$t_{w(SPCH)S}$ Pulse duration, SPInCLK high (clock polarity = 0)	$0.5t_{c(SPC)S} - 0.25t_{c(ICLK)}$	$0.5t_{c(SPC)S} + 0.25t_{c(ICLK)}$	
	$t_{w(SPCL)S}$ Pulse duration, SPInCLK low (clock polarity = 1)	$0.5t_{c(SPC)S} - 0.25t_{c(ICLK)}$	$0.5t_{c(SPC)S} + 0.25t_{c(ICLK)}$	
3 ⁽⁶⁾	$t_{w(SPCL)S}$ Pulse duration, SPInCLK low (clock polarity = 0)	$0.5t_{c(SPC)S} - 0.25t_{c(ICLK)}$	$0.5t_{c(SPC)S} + 0.25t_{c(ICLK)}$	
	$t_{w(SPCH)S}$ Pulse duration, SPInCLK high (clock polarity = 1)	$0.5t_{c(SPC)S} - 0.25t_{c(ICLK)}$	$0.5t_{c(SPC)S} + 0.25t_{c(ICLK)}$	
4 ⁽⁶⁾	$t_{d(SPCH-SOMI)S}$ Delay time, SPInCLK high to SPInSOMI valid (clock polarity = 0)		$6 + t_f$	
	$t_{d(SPCL-SOMI)S}$ Delay time, SPInCLK low to SPInSOMI valid (clock polarity = 1)		$6 + t_f$	
5 ⁽⁶⁾	$t_{v(SPCH-SOMI)S}$ Valid time, SPInSOMI data valid after SPInCLK high (clock polarity = 0)	$t_{c(SPC)S} - 6 - t_f$		
	$t_{v(SPCL-SOMI)S}$ Valid time, SPInSOMI data valid after SPInCLK low (clock polarity = 1)	$t_{c(SPC)S} - 6 - t_f$		
6 ⁽⁶⁾	$t_{su(SIMO-SPCL)S}$ Setup time, SPInSIMO before SPInCLK low (clock polarity = 0)	6		
	$t_{su(SIMO-SPCH)S}$ Setup time, SPInSIMO before SPInCLK high (clock polarity = 1)	6		
7 ⁽⁶⁾	$t_{v(SPCL-SIMO)S}$ Valid time, SPInSIMO data valid after SPInCLK low (clock polarity = 0)	6		
	$t_{v(SPCH-SIMO)S}$ Valid time, SPInSIMO data valid after SPInCLK high (clock polarity = 1)	6		

- 1 The MASTER bit (SPInCTRL2.3) is cleared and the CLOCK PHASE bit (SPInCTRL2.0) is cleared.
- 2 If the SPI is in slave mode, the following must be true: $t_{c(SPC)S} \geq (PS + 1)t_{c(ICLK)}$, where PS = prescale value set in SPInCTL1.[12:5].
- 3 For rise and fall timings, see the "switching characteristics for output timings versus load capacitance" table.
- 4 $t_{c(ICLK)}$ = interface clock cycle time = $1/f_{(ICLK)}$
- 5 When the SPIn is in slave mode, the following must be true:
 - For PS values from 1 to 255: $t_{c(SPC)S} \geq (PS + 1)t_{c(ICLK)} \geq 100$ ns, where PS is the prescale value set in the SPInCTL1.[12:5] register bits.
 - For PS values of 0: $t_{c(SPC)S} = 2t_{c(ICLK)} \geq 100$ ns.
- 6The active edge of the SPInCLK signal referenced is controlled by the CLOCK POLARITY bit (SPInCTRL2.1).

TMS470R1VF48C/VF48B 16/32-BIT RISC FLASH MICROCONTROLLERS

SPNS093D – MAY 2004 – REVISED FEBRUARY 2006

SPIn slave mode timing parameters (continued)

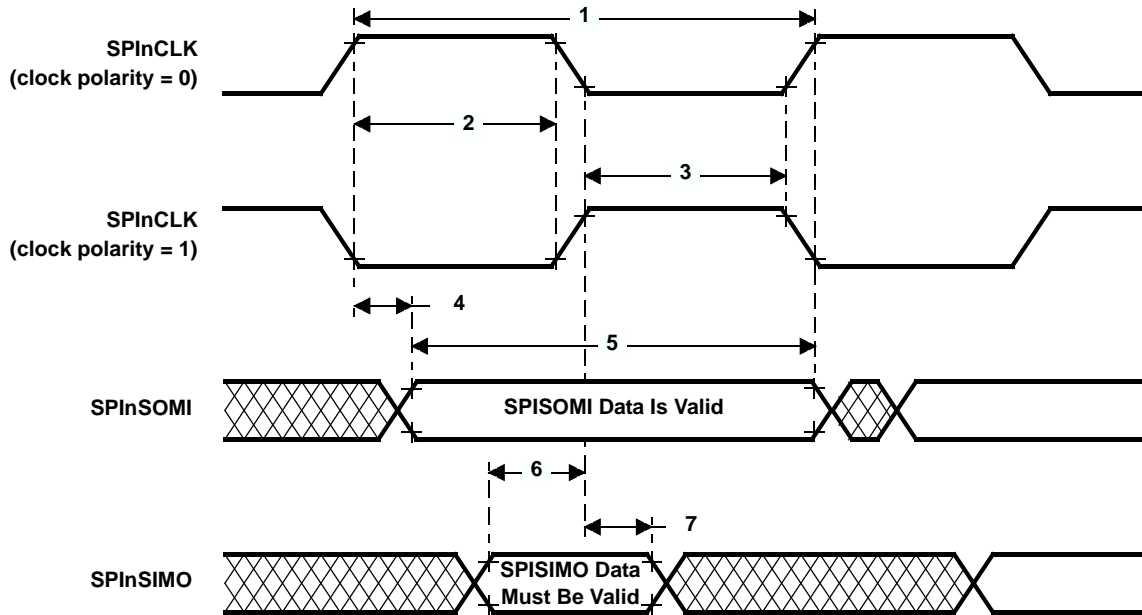


Figure 15. SPIn Slave Mode External Timing (CLOCK PHASE = 0)

SPIn slave mode timing parameters (continued)

SPIn slave mode external timing parameters (CLOCK PHASE = 1, SPInCLK = input, SPInSIMO = input, and SPInSOMI = output)⁽¹⁾⁽²⁾⁽³⁾⁽⁴⁾ (see Figure 16)

NO		MIN	MAX	UNIT
1	$t_{c(SPC)S}$ Cycle time, SPInCLK ⁽⁵⁾	100	$256t_{c(ICLK)}$	ns
2 ⁽⁶⁾	$t_{w(SPCH)S}$ Pulse duration, SPInCLK high (clock polarity = 0)	$0.5t_{c(SPC)S} - 0.25t_{c(ICLK)}$	$0.5t_{c(SPC)S} + 0.25t_{c(ICLK)}$	
	$t_{w(SPCL)S}$ Pulse duration, SPInCLK low (clock polarity = 1)	$0.5t_{c(SPC)S} - 0.25t_{c(ICLK)}$	$0.5t_{c(SPC)S} + 0.25t_{c(ICLK)}$	
3 ⁽⁶⁾	$t_{w(SPCL)S}$ Pulse duration, SPInCLK low (clock polarity = 0)	$0.5t_{c(SPC)S} - 0.25t_{c(ICLK)}$	$0.5t_{c(SPC)S} + 0.25t_{c(ICLK)}$	
	$t_{w(SPCH)S}$ Pulse duration, SPInCLK high (clock polarity = 1)	$0.5t_{c(SPC)S} - 0.25t_{c(ICLK)}$	$0.5t_{c(SPC)S} + 0.25t_{c(ICLK)}$	
4 ⁽⁶⁾	$t_{v(SOMI-SPCH)S}$ Valid time, SPInCLK high after SPInSOMI data valid (clock polarity = 0)	$0.5t_{c(SPC)S} - 6 - t_r$		
	$t_{v(SOMI-SPCL)S}$ Valid time, SPInCLK low after SPInSOMI data valid (clock polarity = 1)	$0.5t_{c(SPC)S} - 6 - t_r$		
5 ⁽⁶⁾	$t_{v(SPCH-SOMI)S}$ Valid time, SPInSOMI data valid after SPInCLK high (clock polarity = 0)	$0.5t_{c(SPC)S} - 6 - t_r$		
	$t_{v(SPCL-SOMI)S}$ Valid time, SPInSOMI data valid after SPInCLK low (clock polarity = 1)	$0.5t_{c(SPC)S} - 6 - t_r$		
6 ⁽⁶⁾	$t_{su(SIMO-SPCH)S}$ Setup time, SPInSIMO before SPInCLK high (clock polarity = 0)	6		
	$t_{su(SIMO-SPCL)S}$ Setup time, SPInSIMO before SPInCLK low (clock polarity = 1)	6		
7 ⁽⁶⁾	$t_{v(SPCH-SIMO)S}$ Valid time, SPInSIMO data valid after SPInCLK high (clock polarity = 0)	6		
	$t_{v(SPCL-SIMO)S}$ Valid time, SPInSIMO data valid after SPInCLK low (clock polarity = 1)	6		

- 1 The MASTER bit (SPInCTRL2.3) is cleared and the CLOCK PHASE bit (SPInCTRL2.0) is set.
- 2 If the SPI is in slave mode, the following must be true: $t_{c(SPC)S} \geq (PS + 1)t_{c(ICLK)}$, where PS = prescale value set in SPInCTL1.[12:5].
- 3 For rise and fall timings, see the "switching characteristics for output timings versus load capacitance" table.
- 4 $t_{c(ICLK)}$ = interface clock cycle time = $1/f_{(ICLK)}$
- 5 When the SPIn is in slave mode, the following must be true:
 For PS values from 1 to 255: $t_{c(SPC)S} \geq (PS + 1)t_{c(ICLK)} \geq 100$ ns, where PS is the prescale value set in the SPInCTL1.[12:5] register bits.
 For PS values of 0: $t_{c(SPC)S} = 2t_{c(ICLK)} \geq 100$ ns.
- 6 The active edge of the SPInCLK signal referenced is controlled by the CLOCK POLARITY bit (SPInCTRL2.1).

TMS470R1VF48C/VF48B 16/32-BIT RISC FLASH MICROCONTROLLERS

SPNS093D – MAY 2004 – REVISED FEBRUARY 2006

SPIn slave mode timing parameters (continued)

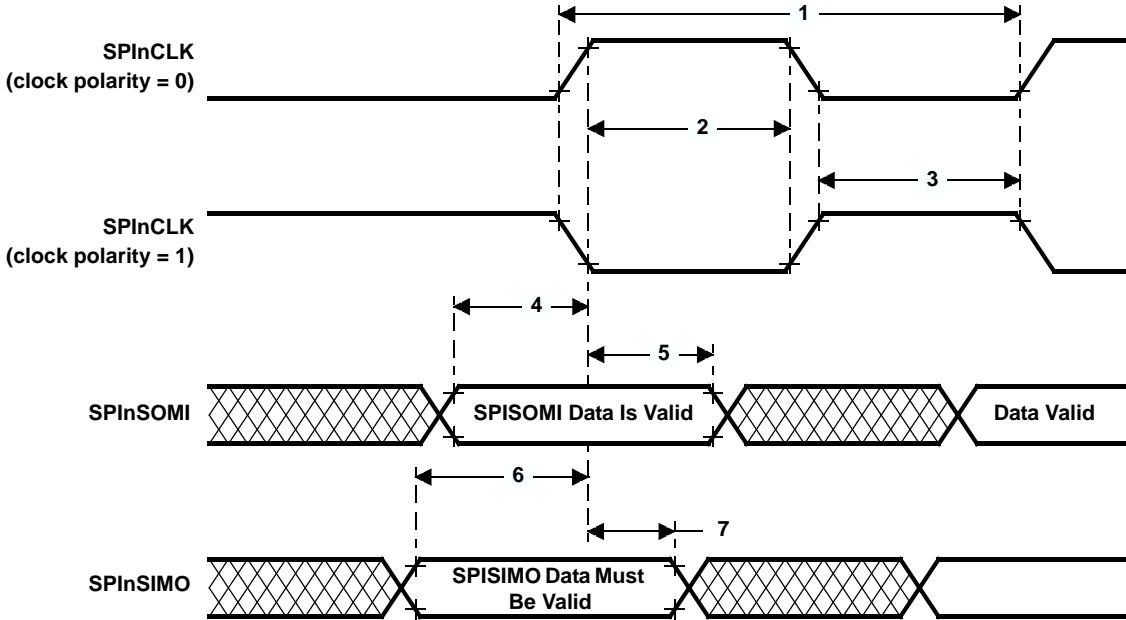


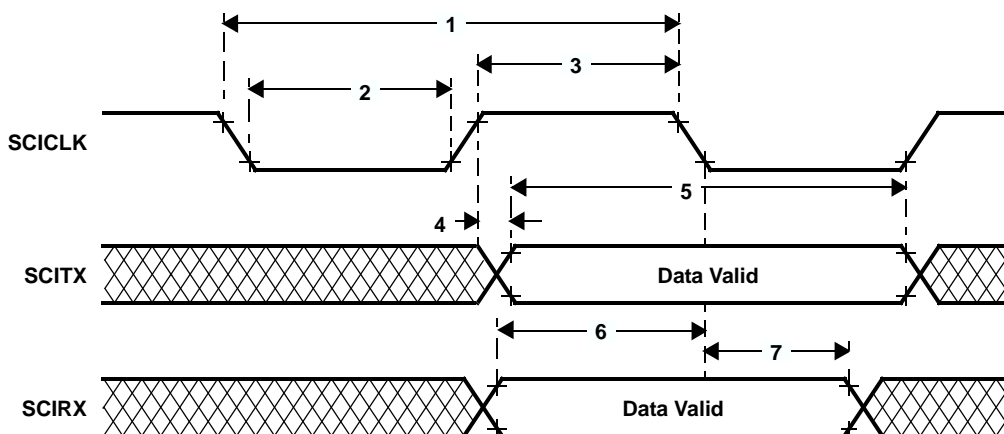
Figure 16. SPIn Slave Mode External Timing (CLOCK PHASE = 1)

SCIn isosynchronous mode timings — internal clock

timing requirements for internal clock SCIn isosynchronous mode⁽¹⁾⁽²⁾⁽³⁾ (see Figure 17)

NO.		(BAUD + 1) IS EVEN OR BAUD = 0		(BAUD + 1) IS ODD AND BAUD ≠ 0		UNIT
		MIN	MAX	MIN	MAX	
1	$t_{c(SCC)}$ Cycle time, SCInCLK	$2t_{c(ICKL)}$	$2^{24}t_{c(ICKL)}$	$3t_{c(ICKL)}$	$(2^{24} - 1)t_{c(ICKL)}$	ns
2	$t_w(SCCL)$ Pulse duration, SCInCLK low	$0.5t_{c(SCC)} - t_f$	$0.5t_{c(SCC)} + 5$	$0.5t_{c(SCC)} + 0.5t_{c(ICKL)} - t_f$	$0.5t_{c(SCC)} + 0.5t_{c(ICKL)}$	ns
3	$t_w(SCCH)$ Pulse duration, SCInCLK high	$0.5t_{c(SCC)} - t_f$	$0.5t_{c(SCC)} + 5$	$0.5t_{c(SCC)} - 0.5t_{c(ICKL)} - t_f$	$0.5t_{c(SCC)} - 0.5t_{c(ICKL)}$	ns
4	$t_d(SCCH-TXV)$ Delay time, SCInCLK high to SCInTX valid		10		10	ns
5	$t_v(TX)$ Valid time, SCInTX data after SCInCLK low	$t_{c(SCC)} - 10$		$t_{c(SCC)} - 10$		ns
6	$t_{su}(RX-SCCL)$ Setup time, SCInRX before SCInCLK low	$t_{c(ICKL)} + t_f + 20$		$t_{c(ICKL)} + t_f + 20$		ns
7	$t_v(SCCL-RX)$ Valid time, SCInRX data after SCInCLK low	$-t_{c(ICKL)} + t_f + 20$		$-t_{c(ICKL)} + t_f + 20$		ns

- 1 BAUD = 24-bit concatenated value formed by the SCI[H,M,L]BAUD registers.
- 2 $t_{c(ICKL)}$ = interface clock cycle time = $1/f_{(ICKL)}$
- 3 For rise and fall timings, see the "switching characteristics for output timings versus load capacitance" table.



NOTE: Data transmission/reception characteristics for isosynchronous mode with internal clocking are similar to the asynchronous mode. Data transmission occurs on the SCICLK rising edge, and data reception on the SCICLK falling edge.

Figure 17. SCIn Isosynchronous Mode Timing Diagram for Internal Clock

TMS470R1VF48C/VF48B 16/32-BIT RISC FLASH MICROCONTROLLERS

SPNS093D – MAY 2004 – REVISED FEBRUARY 2006

SCIn isosynchronous mode timings — external clock

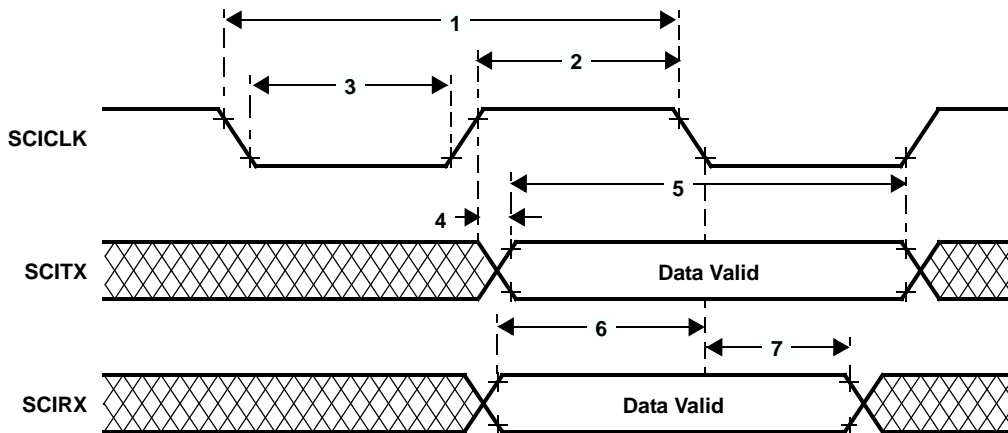
timing requirements for external clock SCIn isosynchronous mode⁽¹⁾⁽²⁾ (see Figure 18)

NO.		MIN	MAX	UNIT
1	$t_{c(SCC)}$ Cycle time, SCInCLK ⁽³⁾	$8t_{c(ICKL)}$		ns
2	$t_{w(SCCH)}$ Pulse duration, SCInCLK high	$0.5t_{c(SCC)} - 0.25t_{c(ICKL)}$	$0.5t_{c(SCC)} + 0.25t_{c(ICKL)}$	ns
3	$t_{w(SCCL)}$ Pulse duration, SCInCLK low	$0.5t_{c(SCC)} - 0.25t_{c(ICKL)}$	$0.5t_{c(SCC)} + 0.25t_{c(ICKL)}$	ns
4	$t_{d(SCCH-TXV)}$ Delay time, SCInCLK high to SCInTX valid		$2t_{c(ICKL)} + 12 + t_r$	ns
5	$t_{v(TX)}$ Valid time, SCInTX data after SCInCLK low	$2t_{c(SCC)} - 10$		ns
6	$t_{su(RX-SCCL)}$ Setup time, SCInRX before SCInCLK low	0		ns
7	$t_{v(SCCL-RX)}$ Valid time, SCInRX data after SCInCLK low	$2t_{c(ICKL)} + 10$		ns

1 $t_{c(ICKL)}$ = interface clock cycle time = $1/f_{(ICKL)}$

2 For rise and fall timings, see the "switching characteristics for output timings versus load capacitance" table.

3 When driving an external SCInCLK, the following must be true: $t_{c(SCC)} \geq 8t_{c(ICKL)}$.



NOTE: Data transmission/reception characteristics for isosynchronous mode with external clocking are similar to the asynchronous mode. Data transmission occurs on the SCICLK rising edge, and data reception on the SCICLK falling edge.

Figure 18. SCIn Isosynchronous Mode Timing Diagram for External Clock

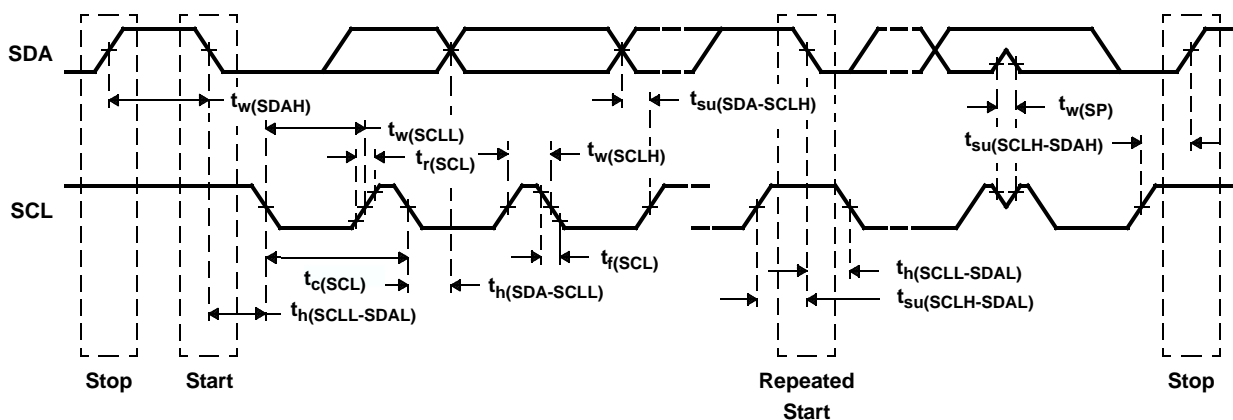
I2C timing

Table 11 assumes testing over recommended operating conditions.

Table 11. I2C Signals (SDA and SCL) Switching Characteristics⁽¹⁾

PARAMETER		STANDARD MODE		FAST MODE		UNIT
		MIN	MAX	MIN	MAX	
$t_{c(I2CCLK)}$	Cycle time, I2C module clock	75	150	75	150	ns
$t_{c(SCL)}$	Cycle time, SCL	10		2.5		μ s
$t_{su(SCLH-SDAL)}$	Setup time, SCL high before SDA low (for a repeated START condition)	4.7		0.6		μ s
$t_{h(SCLL-SDAL)}$	Hold time, SCL low after SDA low (for a repeated START condition)	4		0.6		μ s
$t_{w(SCLL)}$	Pulse duration, SCL low	4.7		1.3		μ s
$t_{w(SCLH)}$	Pulse duration, SCL high	4		0.6		μ s
$t_{su(SDA-SCLH)}$	Setup time, SDA valid before SCL high	250		100		ns
$t_{h(SDA-SCLL)}$	Hold time, SDA valid after SCL low	0	3.45 ⁽²⁾	0	0.9	μ s
$t_{w(SDAH)}$	Pulse duration, SDA high between STOP and START conditions	4.7		1.3		μ s
$t_{su(SCLH-SDAH)}$	Setup time, SCL high before SDA high (for STOP condition)	4.0		0.6		μ s
$t_{w(SP)}$	Pulse duration, spike (must be suppressed)			0	50	ns
C_b ⁽³⁾	Capacitive load for each bus line		400		400	pF

- 1 The I2C pins SDA and SCL do not feature fail-safe I/O buffers. These pins could potentially draw current when the device is powered down.
- 2 The maximum $t_{h(SDA-SCLL)}$ for I2C bus devices needs only be met if the device does not stretch the low period ($t_{w(SCLL)}$) of the SCL signal.
- 3 C_b = The total capacitance of one bus line in pF.



NOTE: A device must internally provide a hold time of at least 300 ns for the SDA signal (referred to the V_{IHmin} of the SCL signal) to bridge the undefined region of the falling edge of SCL.

NOTE: The maximum $t_{h(SDA-SCLL)}$ needs only be met if the device does not stretch the LOW period ($t_{w(SCLL)}$) of the SCL signal.

NOTE: A fast-mode I2C-bus device can be used in a standard-mode I2C-bus system, but the requirement $t_{su(SDA-SCLH)} \geq 250$ ns must then be met. This will automatically be the case if the device does not stretch the LOW period of the SCL signal. If such a device does stretch the LOW period of the SCL signal, it must output the next data bit to the SDA line $t_r \text{ max} + t_{su(SDA-SCLH)}$.

NOTE: C_b = total capacitance of one bus line in pF. If mixed with fast-mode devices, faster fall-times are allowed.

Figure 19. I2C Timings

TMS470R1VF48C/VF48B

16/32-BIT RISC FLASH MICROCONTROLLERS

SPNS093D – MAY 2004 – REVISED FEBRUARY 2006

standard CAN controller (SCC) mode timings

dynamic characteristics for the CANSTX and CANSRX pins

PARAMETER		MIN	MAX	UNIT
$t_d(\text{CANSTX})$	Delay time, transmit shift register to CANSTX pin ⁽¹⁾		15	ns
$t_d(\text{CANSRX})$	Delay time, CANSRX pin to receive shift register		5	ns

1 These values do not include the rise/fall times of the output buffer.

expansion bus timing parameters, $-40^{\circ}\text{C} \leq T_J \leq 150^{\circ}\text{C}$, $3.0\text{ V} \leq V_{CC} \leq 3.6\text{ V}$

(see figure 20 and figure 21)

NO.	PARAMETER		MIN	MAX	UNIT
1	$t_{c(\text{CO})}$	Cycle time, CLKOUT	20.8		ns
2	$t_d(\text{COH-EBADV})$	Delay Time, CLKOUT high to EBADDR valid		21.4	ns
3	$t_h(\text{COH-EBADIV})$	Hold Time, EBADDR invalid after CLKOUT high		12.4	ns
4	$t_d(\text{COH-EBOE})$	Delay Time, CLKOUT high to $\overline{\text{EBOE}}$ fall		11.4	ns
5	$t_h(\text{COH-EBOEH})$	Hold Time, $\overline{\text{EBOE}}$ rise after CLKOUT high		11.4	ns
6	$t_d(\text{COL-EBWR})$	Delay Time, CLKOUT low to write strobe (EBWR) low		11.3	ns
7	$t_h(\text{COL-EBWRH})$	Hold Time, $\overline{\text{EBWR}}$ high after CLKOUT low		11.6	ns
8	$t_{su}(\text{EBRDATV-COH})$	Setup time, EBDATA valid before CLKOUT high (READ) ⁽¹⁾	15.2		ns
9	$t_h(\text{COH-EBRDATIV})$	Hold time, EBDATA invalid after CLKOUT high (READ)		(– 14.7)	ns
10	$t_d(\text{COL-EBWDATV})$	Delay time, CLKOUT low to EBDATA valid (WRITE) ⁽²⁾		16.1	ns
11	$t_h(\text{COL-EBWDATIV})$	Hold time, EBDATA invalid after CLKOUT low (WRITE)		14.7	ns
SECONDARY TIMES					
12	$t_d(\text{COH-EBCS0})$	Delay, CLKOUT high to $\overline{\text{EBCS0}}$ fall		13.6	ns
13	$t_h(\text{COH-EBCS0H})$	Hold, $\overline{\text{EBCS0}}$ rise after CLKOUT high		13.2	ns
14	$t_{su}(\text{COH-EBHOLDL})$	Setup time, $\overline{\text{EBHOLD}}$ low to CLKOUT high ⁽¹⁾	10.9		ns
15	$t_{su}(\text{COH-EBHOLDH})$	Setup time, $\overline{\text{EBHOLD}}$ high to CLKOUT high ⁽¹⁾	10.5		ns

1 Setup time is the minimum time under worst case conditions. Data with less setup time will not work.

2 Valid after CLKOUT goes low for write cycles.

expansion bus module timing

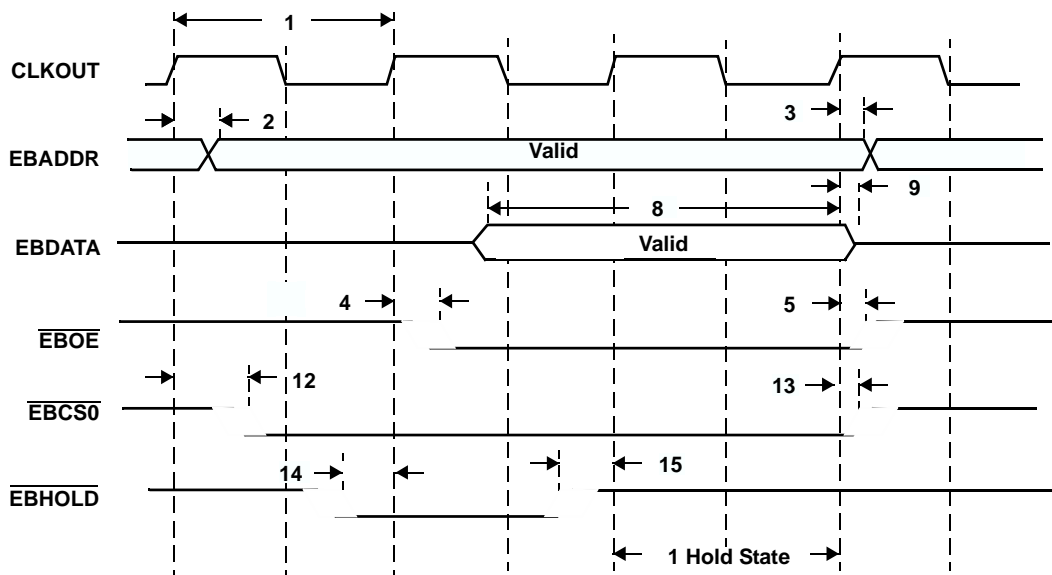


Figure 20. Expansion Memory Signal Timing—Reads

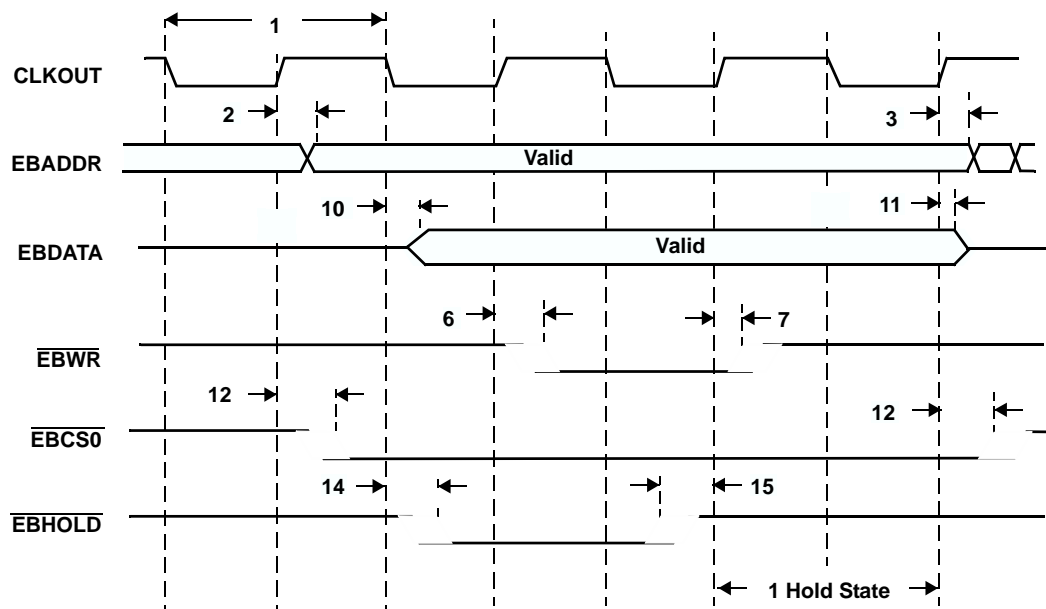


Figure 21. Expansion Memory Signal Timing—Writes

TMS470R1VF48C/VF48B

16/32-BIT RISC FLASH MICROCONTROLLERS

SPNS093D – MAY 2004 – REVISED FEBRUARY 2006

high-end timer (HET) timings

minimum PWM output pulse width:

This is equal to one high resolution clock period (HRP). The HRP is defined by the 6-bit high resolution prescale factor (hr), which is user defined, giving prescale factors of 1 to 64, with a linear increment of codes.

Therefore, the minimum PWM output pulse width = $HRP(\min) = hr(\min)/SYSCLK = 1/SYSCLK$

For example, for a SYSCLK of 30 MHz, the minimum PWM output pulse width = $1/30 = 33.33\text{ns}$

minimum input pulses we can capture:

The input pulse width must be greater or equal to the low resolution clock period (LRP), i.e., the HET loop (the HET program must fit within the LRP). The LRP is defined by the 3-bit loop-resolution prescale factor (lr), which is user defined, with a power of 2 increment of codes. That is, the value of lr can be 1, 2, 4, 8, 16, or 32.

Therefore, the minimum input pulse width = $LRP(\min) = hr(\min) * lr(\min)/SYSCLK = 1 * 1/SYSCLK$

For example, with a SYSCLK of 30 MHz, the minimum input pulse width = $1 * 1/30 = 33.33 \text{ ns}$

NOTE

Once the input pulse width is greater than LRP, the resolution of the measurement is still HRP. (That is, the captured value gives the number of HRP clocks inside the pulse.)

Abbreviations:

hr = HET high resolution divide rate = 1, 2, 3,...63, 64

lr = HET low resolution divide rate = 1, 2, 4, 8, 16, 32

High resolution clock period = HRP = $hr/SYSCLK$

Loop resolution clock period = LRP = $hr*lr/SYSCLK$

multi-buffered A-to-D converter (MibADC)

The multi-buffered A-to-D converter (MibADC) has a separate power bus for its analog circuitry that enhances the A-to-D performance by preventing digital switching noise on the logic circuitry, which could be present on V_{SS} and V_{CC} , from coupling into the A-to-D analog stage. All A-to-D specifications are given with respect to AD_{REFLO} unless otherwise noted.

Resolution 10 bits (1024 values)
 Monotonic Assured
 Output conversion code 00h to 3FFh [00 for $V_{AI} \leq AD_{REFLO}$; 3FF for $V_{AI} \geq AD_{REFHI}$]

MibADC recommended operating conditions⁽¹⁾

		MIN	MAX	UNIT
AD_{REFHI}	A-to-D high -voltage reference source	V_{SSAD}	V_{CCAD}	V
AD_{REFLO}	A-to-D low-voltage reference source	V_{SSAD}	V_{CCAD}	V
V_{AI}	Analog input voltage	$V_{SSAD} - 0.3$	$V_{CCAD} + 0.3$	V
I_{AIC}	Analog input clamp current ⁽²⁾ ($V_{AI} < V_{SSAD} - 0.3$ or $V_{AI} > V_{CCAD} + 0.3$)	- 2	2	mA

- For V_{CCAD} and V_{SSAD} recommended operating conditions, see the "device recommended operating conditions" table.
- Input currents into any ADC input channel outside the specified limits could affect conversion results of other channels.

operating characteristics over full ranges of recommended operating conditions⁽¹⁾⁽²⁾

PARAMETER	DESCRIPTION/CONDITIONS	MIN	TYP	MAX	UNIT	
R_i	Analog input resistance	See Figure 22.		250	500	Ω
C_i	Analog input capacitance	See Figure 22.		Conversion	10	pF
				Sampling	30	pF
I_{AIL}	Analog input leakage current	See Figure 22.		-1	1	μ A
$I_{ADREFHI}$	AD_{REFHI} input current	$AD_{REFHI} = 3.6$ V, $AD_{REFLO} = V_{SSAD}$			5	mA
CR	Conversion range over which specified accuracy is maintained	$AD_{REFHI} - AD_{REFLO}$		3	3.6	V
E_{DNL}	Differential nonlinearity error	Difference between the actual step width and the ideal value. See Figure 23.			± 1.5	LSB
E_{INL}	Integral nonlinearity error	Maximum deviation from the best straight line through the MibADC. MibADC transfer characteristics, excluding the quantization error. See Figure 24.			± 2	LSB
E_{TOT}	Total error/Absolute accuracy	Maximum value of the difference between an analog value and the ideal midstep value. See Figure 25.			± 2	LSB

- $V_{CCAD} = AD_{REFHI}$
- 1 LSB = $(AD_{REFHI} - AD_{REFLO})/2^{10}$ for the MibADC

TMS470R1VF48C/VF48B 16/32-BIT RISC FLASH MICROCONTROLLERS

SPNS093D – MAY 2004 – REVISED FEBRUARY 2006

multi-buffered A-to-D converter (MibADC) (continued)

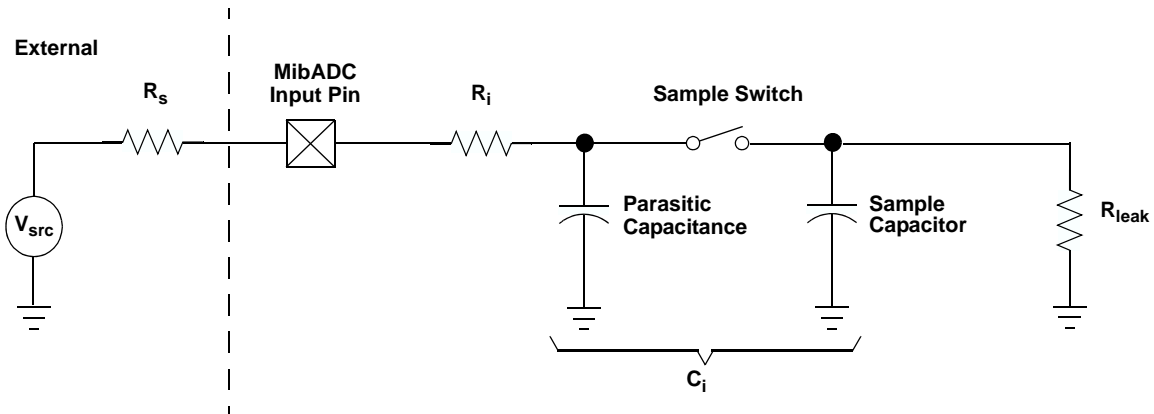


Figure 22. MibADC Input Equivalent Circuit

multi-buffer ADC timing requirements

		MIN	NOM	MAX	UNIT
$t_{c(ADCLK)}$	Cycle time, MibADC clock	0.05			μs
$t_{d(SH)}$	Delay time, sample and hold time	1			μs
$t_{d(C)}$	Delay time, conversion time	0.55			μs
$t_{d(SHC)}^{(1)}$	Delay time, total sample/hold and conversion time	1.55			μs

¹ This is the minimum sample/hold and conversion time that can be achieved. These parameters are dependent on many factors; for more details, see the *TMS470R1x Multi-Buffered Analog-to-Digital Converter (MibADC) Reference Guide* (literature number SPNU206).

multi-buffered A-to-D converter (MibADC) (continued)

The differential nonlinearity error shown in Figure 23 (sometimes referred to as differential linearity) is the difference between an actual step width and the ideal value of 1 LSB.

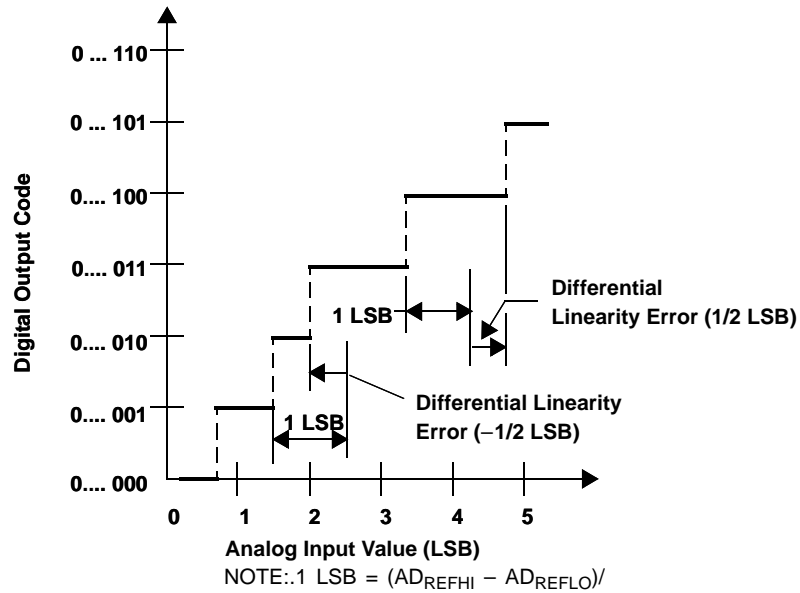


Figure 23. Differential Nonlinearity (DNL)

The integral nonlinearity error shown in Figure 24 (sometimes referred to as linearity error) is the deviation of the values on the actual transfer function from a straight line.

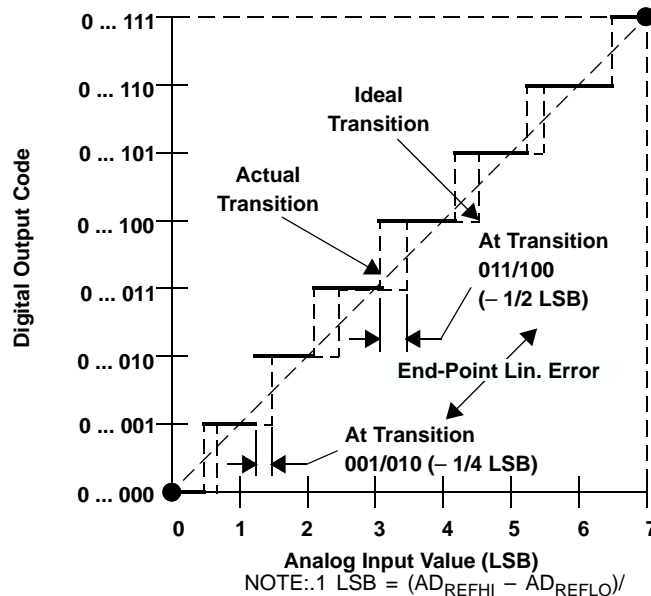


Figure 24. Integral Nonlinearity (INL) Error

TMS470R1VF48C/VF48B 16/32-BIT RISC FLASH MICROCONTROLLERS

SPNS093D – MAY 2004 – REVISED FEBRUARY 2006

multi-buffer A-to-D converter (MibADC) (continued)

The absolute accuracy or total error of an MibADC as shown in Figure 25 is the maximum value of the difference between an analog value and the ideal midstep value.

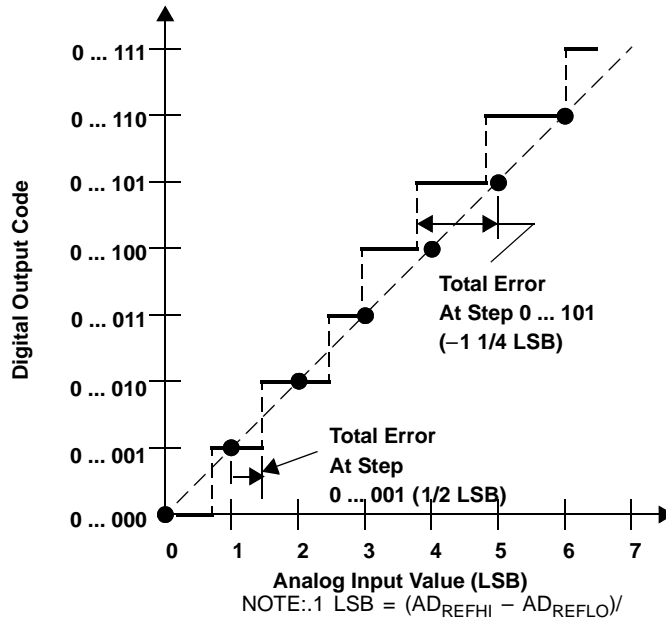


Figure 25. Absolute Accuracy (Total) Error

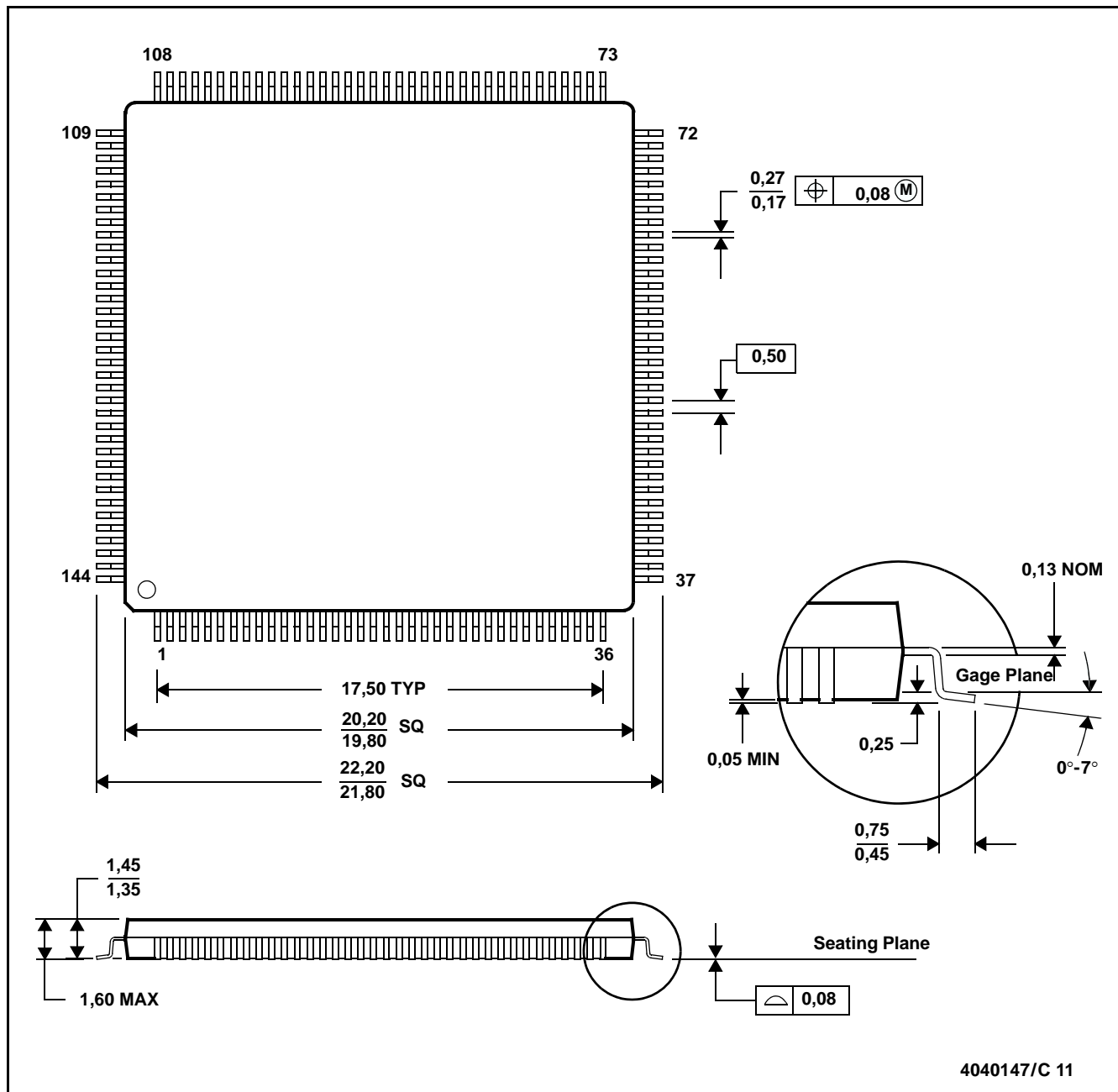
TMS470R1VF48C/VF48B 16/32-BIT RISC FLASH MICROCONTROLLERS

SPNS093D – MAY 2004 – REVISED FEBRUARY 2006

MECHANICAL DATA

PGE (S-PQFP-G144)

PLASTIC QUAD FLATPACK



NOTE: All linear dimensions are in millimeters.
NOTE: This drawing is subject to change without notice.
NOTE: Falls within JEDEC MS-026.

Thermal Resistance Characteristics

PARAMETER	°C/W
$R_{\theta JA}$	43
$R_{\theta JC}$	5

TMS470R1VF48C/VF48B

16/32-BIT RISC FLASH MICROCONTROLLER

SPNS093D – MAY 2004 – REVISED FEBRUARY 2006

List of Figures

[TMS470R1VF48C/TMS470R1VF48B 144-Pin PGE Package \(TOP VIEW\)](#)

[Functional Block Diagram \(VF48C\)](#)

[Functional Block Diagram \(VF48B\)](#)

[Figure 1. TMS470R1VF48C Memory Map](#)

[Figure 2. TMS470R1VF48B Memory Map](#)

[Figure 3. JTAG Interface](#)

[Figure 4. TMS470R1x Family Nomenclature](#)

[Figure 5. Test Load Circuit](#)

[Figure 6. Crystal/Clock Connection](#)

[Figure 7. CLKOUT Timing Diagram](#)

[Figure 8. ECLK Timing Diagram](#)

[Figure 9. PORRST Timing Diagram](#)

[Figure 10. JTAG Scan Timings](#)

[Figure 11. CMOS-Level Outputs](#)

[Figure 12. CMOS-Level Inputs](#)

[Figure 13. SPIn Master Mode External Timing \(CLOCK PHASE = 0\)](#)

[Figure 14. SPIn Master Mode External Timing \(CLOCK PHASE = 1\)](#)

[Figure 15. SPIn Slave Mode External Timing \(CLOCK PHASE = 0\)](#)

[Figure 16. SPIn Slave Mode External Timing \(CLOCK PHASE = 1\)](#)

[Figure 17. SCIn Isosynchronous Mode Timing Diagram for Internal Clock](#)

[Figure 18. SCIn Isosynchronous Mode Timing Diagram for External Clock](#)

[Figure 19. I2C Timings](#)

[Figure 20. Expansion Memory Signal Timing—Reads](#)

[Figure 21. Expansion Memory Signal Timing—Writes](#)

[Figure 22. MibADC Input Equivalent Circuit](#)

[Figure 23. Differential Nonlinearity \(DNL\)](#)

[Figure 24. Integral Nonlinearity \(INL\) Error](#)

[Figure 25. Absolute Accuracy \(Total\) Error](#)

[Mechanical Data](#)

List of Tables

- [Table 1. Device Characteristics](#)
- [Table 2. Memory Selection Assignment](#)
- [Table 3. VF48x Peripherals, System Module, and Flash Base Addresses](#)
- [Table 4. DMA Request Lines Connections](#)
- [Table 5. Interrupt Priority \(IEM and CIM\)](#)
- [Table 6. Expansion Bus Mux Mapping](#)
- [Table 7. Expansion Bus Pins](#)
- [Table 8. MibADC Event Hookup Configuration](#)
- [Table 9. TMS470 Device ID Bit Allocation Register](#)
- [Table 10. Device Part Numbers](#)
- [Table 11. I2C Signals \(SDA and SCL\) Switching Characteristics](#)

TMS470R1VF48C/VF48B
16/32-BIT RISC FLASH MICROCONTROLLER
REVISION HISTORY

REVISION HISTORY

REV	DATE	NOTES
D	2/06	Updates: Page 16, memory size (x16) for memory selects 5 and 6 updated. Page 35, operating I _{CC} current at 48MHz updated to 125mA.

IMPORTANT NOTICE

Texas Instruments Incorporated and its subsidiaries (TI) reserve the right to make corrections, modifications, enhancements, improvements, and other changes to its products and services at any time and to discontinue any product or service without notice. Customers should obtain the latest relevant information before placing orders and should verify that such information is current and complete. All products are sold subject to TI's terms and conditions of sale supplied at the time of order acknowledgment.

TI warrants performance of its hardware products to the specifications applicable at the time of sale in accordance with TI's standard warranty. Testing and other quality control techniques are used to the extent TI deems necessary to support this warranty. Except where mandated by government requirements, testing of all parameters of each product is not necessarily performed.

TI assumes no liability for applications assistance or customer product design. Customers are responsible for their products and applications using TI components. To minimize the risks associated with customer products and applications, customers should provide adequate design and operating safeguards.

TI does not warrant or represent that any license, either express or implied, is granted under any TI patent right, copyright, mask work right, or other TI intellectual property right relating to any combination, machine, or process in which TI products or services are used. Information published by TI regarding third-party products or services does not constitute a license from TI to use such products or services or a warranty or endorsement thereof. Use of such information may require a license from a third party under the patents or other intellectual property of the third party, or a license from TI under the patents or other intellectual property of TI.

Reproduction of information in TI data books or data sheets is permissible only if reproduction is without alteration and is accompanied by all associated warranties, conditions, limitations, and notices. Reproduction of this information with alteration is an unfair and deceptive business practice. TI is not responsible or liable for such altered documentation.

Resale of TI products or services with statements different from or beyond the parameters stated by TI for that product or service voids all express and any implied warranties for the associated TI product or service and is an unfair and deceptive business practice. TI is not responsible or liable for any such statements.

Following are URLs where you can obtain information on other Texas Instruments products and application solutions:

Products

Amplifiers	amplifier.ti.com
Data Converters	dataconverter.ti.com
DSP	dsp.ti.com
Interface	interface.ti.com
Logic	logic.ti.com
Power Mgmt	power.ti.com
Microcontrollers	microcontroller.ti.com

Applications

Audio	www.ti.com/audio
Automotive	www.ti.com/automotive
Broadband	www.ti.com/broadband
Digital Control	www.ti.com/digitalcontrol
Military	www.ti.com/military
Optical Networking	www.ti.com/opticalnetwork
Security	www.ti.com/security
Telephony	www.ti.com/telephony
Video & Imaging	www.ti.com/video
Wireless	www.ti.com/wireless

Mailing Address: Texas Instruments
Post Office Box 655303 Dallas, Texas 75265