

TMUX03155 STS-3/STM-1 (AU-4) Multiplexer/Demultiplexer

Features

- Multiplexes three STS-1 signals into a SONET STS-3 signal.
- Multiplexes three AU-3 signals into an SDH STM-1 (AU-4) signal via a TUG-3 construction.
- Demultiplexes three STS-1 signals from a SONET STS-3 signal.
- Demultiplexes three AU-3 signals from an SDH STM-1 (AU-4) signal via a TUG-3 deconstruction.
- High-speed microprocessor interface configurable to operate with most commercial microprocessors.
- Detects STS-3/STM-1 (AU-4) loss-of-signal (LOS) conditions.
- Detects STS-3/STM-1 (AU-4) out-of-frame and loss-of-frame (OOF/LOF) conditions.
- Provides an 8-bit bus interface at the STS-1/AU-3 rate.
- Provides a bit serial, nibble-wide, or byte-wide interface at STS-3/STM-1 (AU-4) rate.
- Provides STS-3/STM-1 (AU-4) selectable scrambler/descrambler functions and B1/B2/B3 generation/detection.
- Accepts bit rate, nibble rate, or byte rate high-speed clocks (155.52 MHz, 38.88 MHz, or 19.44 MHz, respectively).
- STS-3/STM-1 (AU-4) internal clock and data recovery. Meets type B jitter tolerance of ITU-T G.958. Accommodates 0.5 UI jitter up to 20 MHz. 155.52 MHz input reference clock for on-chip PLL. Has on-chip PLL for clock synthesis, requiring only one external resistor. No output clock drift in absence of data transitions once lock is acquired.
- STS-1 termination mode.
- -40 °C to +85 °C temperature range.
- 208-pin, shrink quad flat pack (SQFP) package.
- Complies with GR-253-CORE (12/95), G.707 (3/96), G.783(1/94).

Applications

- SONET/SDH line termination equipment.
- SDH path origination and termination equipment.
- SONET/SDH add/drop multiplexers.
- SONET/SDH cross connects.
- SONET/SDH test equipment.

Description

The TMUX03155 STS-3/STM-1 (AU-4) multiplexer device provides three modes of operation: STS-3, STM-1 (AU-4), and STS-1 modes. In STS-3 mode, the TMUX03155 device provides all of the functions necessary to multiplex and demultiplex up to three STS-1 signals to/from a SONET STS-3 signal. In AU-4 mode, the TMUX03155 provides the functionality to multiplex and demultiplex up to three AU-3 signals to/from an STM-1 (AU-4) signal. In STS-1 mode, the high-speed side of the TMUX03155 operates at 51.84 MHz and can be used for STS-1 termination and for accessing transport overhead in the SONET frame. On the STS-3/STM-1 (AU-4) side, the device can be configured for either a 1-bit serial data interface, a 4-bit parallel (nibble-wide) data interface, or an 8-bit parallel (byte-wide) data interface. This allows the device to drive an OC3 optical signal directly or to allow for modular growth in terminal or add/drop applications. On the STS-1/AU-3 side, the TMUX03155 device provides a bus mode that can communicate with up to three STS-1/AU-3 devices at 19.44 Mbits/s. The TMUX03155 is designed to interface with the Agere Systems Inc. Tmpr28051 device, or equivalent, providing complete mapping/unmapping from/to an STS-3/STM-1 (AU-4) signal for up to 84 DS1 or 63 E1 signals.

Table of Contents

Contents	Page
Features	1
Applications	1
Description	1
Nomenclature Assumptions	7
Block Diagram	7
Pin Information	9
Summary of I/O Pins	15
Mode Control Signals (See Register Description on page 54.)	16
STS-1 Mode	16
Transmit Direction Overview	17
STS-1/AU-3 Bus Mode Input Retiming	17
Input Select Control	17
STS-1/AU-3 Inputs	17
Out-of-Frame (OOF) and Loss-of-Frame (LOF) Monitoring	18
Descramble Enable/Disable	18
Monitor B1 and B2 Errors	19
H4 Multiframe and Pointer Monitor (AU-4 Mode Only)	19
STS-3 Generate	20
Transport Overhead Access Channel (TOAC) Insert	23
STS-3/STM-1 (AU-4) Scramble Enable	23
STS-3/STM-1 (AU-4) B1, B2, and B3 BIP Generation	23
STS-3/STM-1 (AU-4) Loopback Control	23
STS-3/STM-1 (AU-4) Output Interface	23
Receive Direction Overview	23
Input Retime	24
Clock and Data Recovery	24
STS-3/STM-1 (AU-4) Framing	24
Loss of Signal	24
Loopback Select Logic	25
RSTS-3/STM-1 (AU-4) Frame Synchronous Descrambling (SONET/SDH)	25
TOAC Drop	25
B1, B2, and B3 Checking	25
Monitoring Functions	25
Pointer Interpretation	25
Data Demultiplex and Conversion (AU-4 Mode Only)	26
STS-1/AU-3 Output Byte Control	26
B1 and B2 Generate	26
STS-1/AU-3 Output Scramble	27
Output Selection Logic	27
Output Data Formatter	27
Maintenance Functions	27
Maintenance Functions Disabled During Failure Conditions	28
Common Maintenance and Control Functions	28
Transmit Functions	30
Receive Functions	38
Typical Uses	45
Section and Line Termination Multiplex	45
Add/Drop Multiplex	46
Digital Cross Connect	46
Microprocessor Interface	47
Overview	47

Table of Contents (continued)

Contents	Page
Microprocessor Configuration Modes	47
Microprocessor Interface Pinout Descriptions	47
Microprocessor Interface Register Architecture	49
Register Description	54
I/O Timing	101
Absolute Maximum Ratings	106
Handling Precautions	106
Operating Conditions	107
Electrical Characteristics	108
Timing Characteristics	110
Operational Timing	110
Outline Diagram	117
208-Pin SQFP	117
Ordering Information	118
DS01-194PDH Replaces DS00-213TIC to Incorporate the Following Updates	118

List of Figures

Contents	Page
Figure 1. TMUX03155 Block Diagram	8
Figure 2. Pinout of 208 SQFP Device	9
Figure 3. SFEBE Location	33
Figure 4. Line Termination Multiplex	45
Figure 5. Add/Drop Multiplex	46
Figure 6. Digital Cross Connect	46
Figure 7. MODE 1—Read Cycle Timing (MPMODE = 0, MPMUX = 0)	102
Figure 8. MODE 1—Write Cycle Timing (MPMODE = 0, MPMUX = 0)	102
Figure 9. MODE 2—Read Cycle Timing (MPMODE = 0, MPMUX = 1)	103
Figure 10. MODE 2—Write Cycle Timing (MPMODE = 0, MPMUX = 1)	103
Figure 11. MODE 3—Read Cycle Timing (MPMODE = 1, MPMUX = 0)	104
Figure 12. MODE 3—Write Cycle Timing (MPMODE = 1, MPMUX = 0)	104
Figure 13. MODE 4—Read Cycle Timing (MPMODE = 1, MPMUX = 1)	105
Figure 14. MODE 4—Write Cycle Timing (MPMODE = 1, MPMUX = 1)	105
Figure 15. Single-Ended Input Specification	108
Figure 16. THSJ0J1V1I Signal Structure Definition	112
Figure 17. Interface Data Timing	115
Figure 18. Bus Interface Signals	116

List of Tables

Contents	Page
Table 1. Pin Descriptions for the 208-Pin SQFP Package	10
Table 2. Input/Output Summary	15
Table 3. Transmit Mode Control Signals	16
Table 4. Receive Mode Control	16
Table 5. Input Select Control	17
Table 6. Expected STS-1/AU-3 Input Frame Format	18
Table 7. STS-3 Output Overhead Format	20
Table 8. STM-1 (AU-4) Output Overhead Format	21
Table 9. STS-1/AU-3 Format and Overhead Control Summary	26
Table 10. STS-1/AU-3 Output Select Control	27
Table 11. Monitors Disabled During Failure Conditions	28
Table 12. SFEBE Values	33
Table 13. G1 Byte—AU-4 Mode Only	34
Table 14. PFEBE Values	34
Table 15. Value Offset Load Values	36
Table 16. Transport Overhead Byte Access—Transmit Direction	36
Table 17. TTOAC Control Bits	37
Table 18. STS-1/AU-3 Overhead Control	42
Table 19. Transport Overhead Byte Access—Receive Direction	44
Table 20. Microprocessor Configuration Modes	47
Table 21. MODE [1—4] Microprocessor Pin Definitions	47
Table 22. Device-Level Register Map	49
Table 23. Page 0—J1 Byte Insert and Monitor	51
Table 24. Page 1—Error Counters	52
Table 25. Page 2—BER Algorithm Parameters	53
Table 26. Register 0 (RO)	54
Table 27. Registers 1—3 (RO)	54
Table 28. Registers 4, 5: One-Shot Register 0 → 1 (R/W)	54
Table 29. Register 6: Scratch Register (R/W)	55
Table 30. Registers 7—15: Delta/Event (COR-RO)	55
Table 31. Registers 16—24: Mask Bits (R/W)	60
Table 32. Registers 25—51: State Bits (RO)	62
Table 33. Register 52: Mode Control (R/W)	64
Table 34. Register 53: Low-Speed Transmit Common Signals (R/W)	65
Table 35. Register 54—59: Transmit Low-Speed Port Input Control (R/W)	66
Table 36. Registers 60, 61: Transmit High-Speed Clock/Port Control (R/W)	67
Table 37. Register 62: Transmit High-Speed Control Signals (R/W)	68
Table 38. Register 62, and Page 0, Registers 128—191: Transmit High-Speed J1 Insert (R/W)	69
Table 39. Register 62, 69: Transmit High-Speed Control Signals (R/W)	69
Table 40. Register 62, 66: Transmit High-Speed Control Signals (R/W)	69
Table 41. Registers 63—65: Trace/Growth Bytes (R/W)	69
Table 42. Register 66: Transmit F1 Data Byte (R/W)	70
Table 43. Registers 67 and 68: K1 and K2 Insert Bytes (R/W)	70
Table 44. Register 69: Transmit Sync Status Byte (R/W)	70
Table 45. Register 70: Path Signal Trace Byte (R/W)	70
Table 46. Register 71: Path User Channel Byte (R/W)	70
Table 47. Register 72: Path Growth Byte (R/W)	70
Table 48. Register 73: Tandem Connection Byte (R/W)	71
Table 49. Register 74: Transmit High-Speed Line RDI Insertion Inhibit Bits (R/W)	71
Table 50. Register 75: Transmit High-Speed Path RDI Insertion Inhibit Bits (R/W)	71
Table 51. Register 76: Transmit High-Speed Error Insert Control Parameters (R/W)	72

List of Tables (continued)

Contents	Page
Table 52. Register 77: Transmit High-Speed Error Insert Control Parameters (R/W)	73
Table 53. Register 78: Transmit High-Speed Error Insert (R/W)	73
Table 54. Register 79: Receive/Transmit TOAC Control (R/W)	74
Table 55. Registers 80, 81: Transmit TOAC Control (R/W)	75
Table 56. Register 83, 84: Transmit High-Speed STS-3/STM-1 Output Frame Offset (R/W)	77
Table 57. A1-1 Alignment Parameters	80
Table 58. BITCNT Alignment Table	80
Table 59. Register 85: Receive High/Low-Speed Port Control (R/W)	81
Table 60. Register 86: Receive J1 and Receive Low-Speed Port Select Control (R/W)	82
Table 61. Register 87: STS-1/AU-3 Receive Control Bits (R/W)	82
Table 62. Register 88: STS-1/AU-3 Receive Low-Speed AIS Inhibit Control Bits (R/W)	83
Table 63. Registers 88, 89: STS-1/AU-3 Loss of Signal Detector (R/W)	83
Table 64. Register 90—95: Continuous N Times Detect (CNTD) Values (R/W)	83
Table 65. Register 95: Continuous N Times Detect (CNTD) B1 Control Bit (R/W)	85
Table 66. Register 96: Test Pattern Drop Control and Status	86
Table 67. Register 97: Test Pattern Drop Error Counter (RO)	86
Table 68. Register 98: Receive Low-Speed Overhead Control Bits (R/W)	86
Table 69. Register 99: Receive Low-Speed BIP Error Insert (R/W)	87
Table 70. Registers 100—102: Receive Low-Speed Overhead Control Bits (R/W)	87
Table 71. Register 103: Receive Low-Speed L-RDI Inhibit Control (R/W)	88
Table 72. Registers 104—106: Receive Low-Speed C1 Byte (R/W)	88
Table 73. Registers 107—109: Receive Low-Speed F1 Byte (R/W)	88
Table 74. Registers 110—115: Receive Low-Speed K1, K2 Byte Insert (R/W)	88
Table 75. Registers 116—118: Receive Low-Speed Pass Control (R/W)	89
Table 76. Register 127: Page Control Register (R/W)	90
Table 77. Page 0 - Registers 128—191: J1 Insert Parameters (R/W)	90
Table 78. Page 0 - Registers 192—255: J1 Monitor Bytes (RO)	90
Table 79. Page 1 - Registers 128—133: STS-1/AU-3 B1 BIP Error Counters (RO)	90
Table 80. Page 1 - Registers 134—140: STS-1/AU-3 B2 BIP Error Counters (RO)	91
Table 81. Page 1 - Registers 141—142: STS-3/STM-1 (AU-4) B1 Error Count (RO)	91
Table 82. Page 1 - Registers 143—145: STS-3/STM-1 (AU-4) B2 Error Count (RO)	91
Table 83. Page 1 - Registers 146—151: STS-3/STM-1 (AU-4) B3 Error Count (RO)	92
Table 84. Page 1 - Registers 152—163: STS-3/STM-1 (AU-4) Pointer Increment/Decrement Counter (RO)	92
Table 85. Page 1 - Registers 164—166: Receive High-Speed SFEBC Count (RO)	92
Table 86. Page 1 - Registers 167—172: Receive High-Speed Path FEBC Count (RO)	93
Table 87. Page 2 - Register 131 (R/W)	93
Table 88. Page 2 - Registers 128—141 (R/W)	94
Table 89. Page 2 - Register 145 (R/W)	97
Table 90. Page 2 - Registers 142—155 (R/W)	97
Table 91. Microprocessor Interface I/O Timing Specifications	101
Table 92. Recommended Operating Conditions	107
Table 93. Power Measurements (VDD = 3.3 V, 23 °C)	107
Table 94. Logic Interface Characteristics	108
Table 95. LVDS Interface Characteristics	109
Table 96. Input Clock Specifications	110
Table 97. Input Timing Specifications	111
Table 98. Output Clock Specifications	113
Table 99. Output Timing Specifications	114

Description (continued)

Automatic receive monitoring functions can be configured to provide an interrupt to the control system, or the device can be operated in a polled mode.

Built-in loopback at both the STS-1/AU-3 and STS-3/STM-1 (AU-4) interfaces provides maximum flexibility for use in a number of SONET/SDH products including path termination multiplexers, add/drop multiplexers, and digital cross connects.

A high-speed microprocessor interface and full user programmability on STS-1/AU-3 to STS-3/STM-1 (AU-4) slot insertion and drop provide maximum flexibility for I/O configuration.

Nomenclature Assumptions

Throughout this document, certain assumptions are made about nomenclature. The transmission path that outputs the STS-3/STM-1 (AU-4) signal is called the transmit direction, while the transmission path that receives the STS-3/STM-1 (AU-4) signal is referred to as the receive path. The low-speed (LS) side of the device transmits or receives the STS-1/AU-3 signals, while the high-speed (HS) side of the device transmits or receives the STS-3/STM-1 (AU-4) signal.

The LSB (least significant bit) of a byte is labeled 0 and the MSB (most significant bit) is labeled $N - 1$, where N is the total number of bits in the word. A signal that ends in $[3-1][7:0]$ implies there are three separate signals, each containing 8 bits.

A control bit that has only one function causes that function to be active when the control bit is set to a logic 1. For example, setting **RLSCLKINV, 0x57** to a logic 1 causes the low-speed output clock to be inverted. A control bit with two names performs the first choice when set to a logic 0 and the second choice when set to a logic 1. For example, **TSOINET_SDH, 0x34** when set to a logic 0 puts the transmit direction in the SONET mode and when set to a logic 1 puts the transmit direction in SDH mode.

Where necessary to avoid confusion, numbers may be expressed using a format to specify their base. The following are examples:

- 9\D = 9 decimal.
- 0x04 = 04 hexadecimal.
- 11\B = 11 binary.

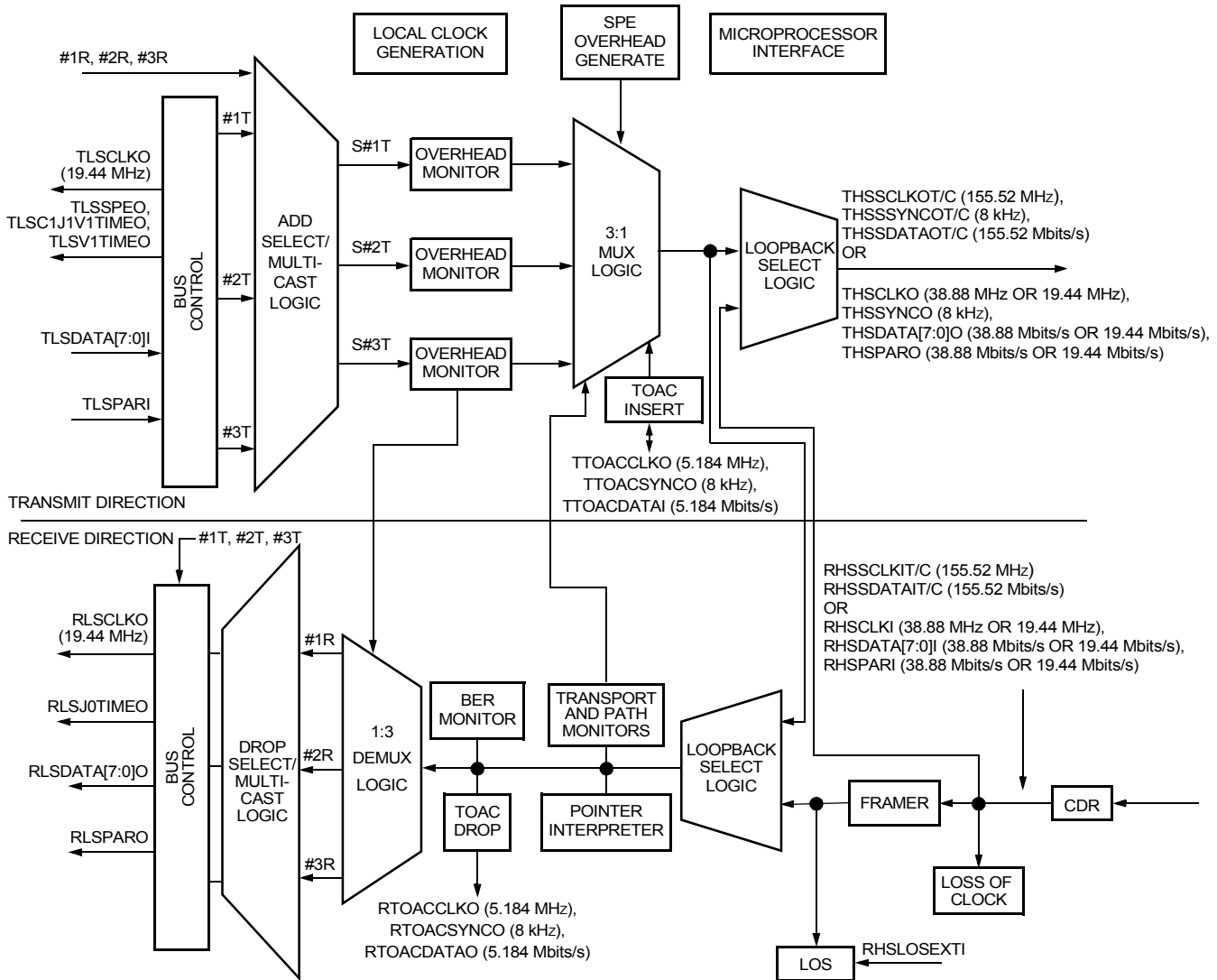
Block Diagram

In the transmit direction, the device outputs a clock and sync and accepts bused data [7:0] and a parity signal from up to three devices. The device outputs one data bundle at the STS-3/STM-1 (AU-4) rate (clock, sync, data [7:0], and parity bit). A local clock and optional frame sync signal are needed for operation of the device. A transport overhead access channel (TOAC) is provided to allow overwriting of the transport overhead bytes in the output STS-3/STM-1 (AU-4) frame.

In the receive direction, the device accepts one STS-3/STM-1 (AU-4) bundle (clock, data, parity). Optional clock and data recovery is available on the STS-3/STM-1 (AU-4) receive input. The device also accepts a loss-of-signal indication from an external source. The device outputs three STS-1/AU-3 signals over a bus interface (clock, data, J0 time, parity). The STS-3/STM-1 (AU-4) input clock is used to clock this direction. A transport overhead access channel is provided for additional external monitoring of the incoming transport overhead of the STS-3/STM-1 (AU-4) frame. A pointer interpreter is provided to monitor path functions.

The device also has loopback capabilities at the STS-1/AU-3 and STS-3/STM-1 (AU-4) interfaces. In addition, the device supports STS-1 termination. An 8-bit microprocessor interface, JTAG control logic, and in-circuit test capabilities are also provided.

Block Diagram (continued)



5-5294(F).ar.8

Figure 1. TMUX03155 Block Diagram

Pin Information (continued)

Table 1. Pin Descriptions for the 208-Pin SQFP Package

Pin*	Symbol	Type†	Name/Description
Transmit Direction Signals			
143, 142	THSSCLKIT/C	I ^{diff} LVDS	Transmit High-Speed Serial Clock Input. The transmit clock can either be 155.52 MHz (serial), 38.88 MHz (nibble), or 19.44 MHz (byte).
145	CTAP_THSSCLKI	I	Center Tap for Transmit High-Speed Serial Clock Input. The center tap input provides for center-tapped common-mode termination. This input should be terminated through an external capacitor to ground (approximately 0.1 μF).
140, 139	THSSJ0J1V1IT/C	I ^{diff} LVDS	Transmit High-Speed Serial Sync Input. The transmit sync signal is active during J0 time (8 kHz), J11 time, and V11 time (2 kHz). This signal is active-high and is optional. (See Figure 16 on page 112 for details.)
141	CTAP_THSSJ0J1V1I	I	Center Tap for Transmit High-Speed Serial Sync Input. The center tap input provides for center-tapped common-mode termination. This input should be terminated through an external capacitor to ground (approximately 0.1 μF).
148	THSCLKI	I ^d	Transmit High-Speed Clock Input. The transmit clock can either be 38.88 MHz (nibble) or 19.44 MHz (byte).
150	THSJ0J1V1I	I ^d	Transmit High-Speed Sync Input. The transmit sync signal is active during J0 time (8 kHz), J11 time, and V11 time (2 kHz). This signal is active-high and is optional.
172	TLSCLKO	O	Transmit Low-Speed Output Clock. The STS-1/AU-3 clock will be 19.44 MHz.
174	TLSSPEO	O	Transmit Low-Speed Synchronous Payload Envelope (SPE). The STS-1/AU-3 SPE signal is low when the transport overhead is on the input bus (TLSDATA[7:0]I). (See Figure 18 on page 116 for details.)
171	TLSJ0J1V1TIMEO	O	Transmit Low-Speed J0, J1, and V1 Time Signal. J0 time is defined when TLSSPEO is a logic 0, TLSJ0J1V1TIMEO is a logic 1, TLV1TIMEO is a logic 0, and the J0 byte is on the input bus. J1 time is defined when TLSSPEO is a logic 1, TLSJ0J1V1TIMEO is a logic 1, TLV1TIMEO is a logic 0, and J11 is on the input bus. (See Figure 18 on page 116 for details.)
173	TLV1TIMEO	O	Transmit Low-Speed V1 Time. This signal is active-high when the current frame contains the V1 byte. V1 time is defined when TLSSPEO is a logic 1, TLSJ0J1V1TIMEO is a logic 1, and TLV1TIMEO is a logic 1. (See Figure 18 on page 116 for details.)
170, 169, 167—162	TLSDATA[7:0]I	I ^d	Transmit Low-Speed Data. TLSDATA7I is the most significant bit of the input byte. (See Figure 18 on page 116 for details.)

* Pin order follows symbol order, e.g., pin 170 refers to TLSDATA7I.

† I = input, O = output, I/O = bidirectional signal, I^d = input with internal pull-down (~20 kW), I^u = input with internal pull-up (~100 kW), I^{diff} or O^{diff} = differential input or output. All I/O not explicitly stated with a buffer type are 5 V compatible. They will tolerate 5 V at their inputs or outputs. LVDS = low-voltage differential signal.

Pin Information (continued)

Table 1. Pin Descriptions for the 208-Pin SQFP Package (continued)

Pin*	Symbol	Type†	Name/Description
Transmit Direction Signals (continued)			
161	TLSPARI	I ^u	Transmit Low-Speed Parity Bit. The STS-1/AU-3 parity input is only defined for byte-wide data. The device can be provisioned to receive either odd or even parity.
137, 136	THSSCLKOT/C	O ^{diff} LVDS	Transmit High-Speed Serial Clock. The STS-3/STM-1 (AU-4) clock will be 155.52 MHz for serial output data; otherwise, this output is placed in a high-impedance state.
134, 133	THSSSYNCOT/C	O ^{diff} LVDS	Transmit High-Speed Serial Sync. The STS-3/STM-1 (AU-4) 8 kHz frame sync is coincident with the first or last bit of the frame.
132,131	THSSDATAOT/C	O ^{diff} LVDS	Transmit High-Speed Serial Data. If the device is operating in the serial mode, then this output is used as the differential data pin. In nibble or parallel output mode, this output is placed in a high-impedance state.
110	THSCLKO	O	Transmit High-Speed Clock. The STS-3/STM-1 (AU-4) clock is 38.88 MHz for nibble data, or 19.44 MHz for byte-wide data.
109	THSSYNCO	O	Transmit High-Speed Sync. The STS-3/STM-1 (AU-4) 8 kHz frame sync is coincident with the first or last nibble/byte of the frame.
101—94	THSDATA[7:0]O	O	Transmit High-Speed Data. Bit 7 is the most significant bit in nibble or byte mode.
102	THSPARO	O	Transmit High-Speed Parity. The parity output is only defined for nibble or byte-wide data. The device can be provisioned to source either an odd or even parity bit.
STS-3/STM-1 (AU-4) Transport Overhead Access Channel (TOAC) Insert			
37	TTOACCLKO	O	Transmit TOAC Clock. (5.184 MHz.)
38	TTOACSYNCO	O	Transmit TOAC Sync. (8 kHz.)
39	TTOACDATAI	I ^d	Transmit TOAC Data. (5.184 Mbits/s.)

* Pin order follows symbol order, e.g., pin 170 refers to TLSDATA7I.

† I = input, O = output, I/O = bidirectional signal, I^d = input with internal pull-down (~20 kW), I^u = input with internal pull-up (~100 kW), I^{diff} or O^{diff} = differential input or output. All I/O not explicitly stated with a buffer type are 5 V compatible. They will tolerate 5 V at their inputs or outputs. LVDS = low-voltage differential signal.

Pin Information (continued)

Table 1. Pin Descriptions for the 208-Pin SQFP Package (continued)

Pin*	Symbol	Type†	Name/Description
Receive Direction Signals			
124, 123	RHSSCLKIT/C	I ^{diff} LVDS	Receive High-Speed Serial Clock Input. The STS-3/STM-1 (AU-4) serial clock is 155.52 MHz.
122	CTAP_RHSSCLKI	I	Center Tap for Receive High-Speed Serial Clock Input. The center tap input provides for center-tapped common-mode termination. This input should be terminated through an external capacitor to ground (approximately 0.1 μF).
119, 118	RHSSDATAIT/C	I ^{diff} LVDS	Receive High-Speed Serial Data Input. The STS-3/STM-1 (AU-4) serial data is 155.52 Mbits/s.
117	CTAP_RHSSDATAI	I	Center Tap for Receive High-Speed Serial Data Input. The center tap input provides for center-tapped common-mode termination. This input should be terminated through an external capacitor to ground (approximately 0.1 μF).
113	RCDR10K2GND	I	Receive CDR Bias Resistor Input. Must be tied to ground, through an external 10 kΩ ±1% resistor.
50	RHSCLKI	I ^d	Receive High-Speed Clock Input. The STS-3/STM-1 (AU-4) clock is 38.88 MHz (nibble), or 19.44 MHz for byte-wide data.
56—63	RHSDATA[7:0]I	I ^d	Receive High-Speed Data Inputs. Data bit 7 is the most significant bit in nibble or byte mode.
55	RHSPARI	I ^u	Receive High-Speed Input Parity. The parity input is only defined for nibble- or byte-wide data. The device can be provisioned to accept either odd or even parity.
49	RHSLOSEXTI	I ^d	Receive High-Speed Loss of Signal. This is an active-high signal.
179	RLSCLKO	O	Receive STS-1/AU-3 Output Clock. The STS-1/AU-3 clock will be 19.44 MHz for byte-wide data (bus mode).
176	RLSJ0TIMEO	O	Receive STS1/AU-3 Output J0 Time. This signal will be active (logic 1) each time the J0 byte is output.
181, 183—186, 188—190	RLSDATA[7:0]O	O	Receive STS-1/AU-3 Output Data. RLSDATA7O is the most significant bit of the output byte.
192	RLSPARO	O	Receive STS-1/AU-3 Output Parity. The device can be provisioned to source either an odd or even parity bit per byte transfer.
STS-3/STM-1 (AU-4) Transport Overhead Access Channel (TOAC) Drop			
41	RTOACCLKO	O	Receive TOAC Clock. (5.184 MHz.)
42	RTOACSYNCO	O	Receive TOAC Sync. (8 kHz.)
43	RTOACDATAO	O	Receive TOAC Data. (5.184 Mbits/s.)

* Pin order follows symbol order, e.g., pin 170 refers to TLSDATA7I.

† I = input, O = output, I/O = bidirectional signal, I^d = input with internal pull-down (~20 kW), I^u = input with internal pull-up (~100 kW), I^{diff} or O^{diff} = differential input or output. All I/O not explicitly stated with a buffer type are 5 V compatible. They will tolerate 5 V at their inputs or outputs. LVDS = low-voltage differential signal.

Pin Information (continued)

Table 1. Pin Descriptions for the 208-Pin SQFP Package (continued)

Pin*	Symbol	Type†	Name/Description
Mode/In-Circuit Test and Reset Control Inputs			
30	$\overline{\text{ICT}}$	I ^u	In-Circuit Test Control (Active-Low). If $\overline{\text{ICT}}$ is forced low, certain output pins are placed in the high-impedance state.
106	$\overline{\text{RESET}}$	I ^u	Hardware Reset (Active-Low). If $\overline{\text{RESET}}$ is forced low, all internal states in the transceiver paths are reset and data flow through each channel will be interrupted.
111	$\overline{\text{RSTN_TST}}$	I ^u	Test Reset (Active-Low). This pin is for test purposes only; it should be left unconnected.
153, 154	MODE [1:0]	I ^u , I ^d	Mode Control. Normal STS-3/STM-1 mode set MODE [1:0] = 10. STS-1 mode set MODE [1:0] = 00
Microprocessor Interface			
14	MPMUX	I	Microprocessor Multiplex Mode. Setting MPMUX = 1 allows the microprocessor interface to accept the multiplexed address and data signals. Setting MPMUX = 0 allows the microprocessor interface to accept demultiplexed (separate) address and data signals.
15	MPMODE	I	Microprocessor Mode. When MPMODE = 1, the device uses the address latch enable type microprocessor read/write protocol with separate read and write controls. Setting MPMODE = 0 allows the device to use the address strobe type microprocessor read/write protocol with a separate data strobe and a combined read/write control.
16	MPMODE3ALE	I ^u	Microprocessor MODE3 ALE Enable. When the device is in MODE3 (MPMODE = 1 and MPMUX = 0), the ALE signal can be used to retime the address or the address bus can be used directly without being retimed. This is an active-high signal.
9	$\overline{\text{WR_DS}}$	I	Write (Active-Low). If MPMODE = 1, this pin is asserted low by the microprocessor to initiate a write cycle. Data Strobe (Active-Low). If MPMODE = 0, this pin becomes the data strobe for the microprocessor. When $\overline{\text{R/W}} = 0$ (write), a low applied to this pin latches the signal on the data bus into internal registers.
11	$\overline{\text{ALE_AS}}$	I	Address Latch Enable. If MPMODE = 1, this pin becomes the address latch enable for the microprocessor. When this pin transitions from high to low, the address bus inputs are latched into the internal registers. Address Strobe (Active-Low). If MPMODE = 0, this pin becomes the address strobe for the microprocessor. When this pin transitions from high to low, the address bus inputs are latched into the internal registers.
10	$\overline{\text{RD_R/W}}$	I	Read (Active-Low). If MPMODE = 1, this pin is asserted low by the microprocessor to initiate a read cycle. Read/Write. If MPMODE = 0, this pin is asserted high by the microprocessor to indicate a read cycle or asserted low to indicate a write cycle.

* Pin order follows symbol order, e.g., pin 170 refers to TLSDATA71.

† I = input, O = output, I/O = bidirectional signal, I^d = input with internal pull-down (~20 kW), I^u = input with internal pull-up (~100 kW), I^{diff} or O^{diff} = differential input or output. All I/O not explicitly stated with a buffer type are 5 V compatible. They will tolerate 5 V at their inputs or outputs. LVDS = low-voltage differential signal.

Pin Information (continued)

Table 1. Pin Descriptions for the 208-Pin SQFP Package (continued)

Pin*	Symbol	Type†	Name/Description
Microprocessor Interface (continued)			
7	$\overline{\text{CS}}$	I ^u	Chip Select (Active-Low). This pin is asserted low by the microprocessor to enable the microprocessor interface. If MPMUX = 1, an internal 100 kΩ pull-up is on this pin.
8	INT	O	Interrupt. This pin is asserted high to indicate an interrupt produced by an alarm condition. The activation of this pin can be masked by the microprocessor by setting the appropriate mask bits.
13	RDY_ $\overline{\text{DTACK}}$	O	Ready. If MPMODE = 1, this pin is asserted high to indicate the device has completed a read or write operation. This pin is in a high-impedance state when CS is high. Data Transfer Acknowledge (Active-Low). If MPMODE = 0, this pin is asserted low to indicate the device has completed a read or write operation.
5—3, 206—202	AD[7:0]	I/O	Microprocessor Interface Address/Data Bus. If MPMUX = 0, these pins become the bidirectional, 3-state data bus. If MPMUX = 1, these pins become the multiplexed address/data bus.
201—197, 195—193	A[7:0]	I ^d	Microprocessor Interface Address. If MPMUX = 0, these pins become the address bus for the microprocessor interface registers.
JTAG Signals			
20	TCLK	I ^u	JTAG Clock.
22	TDI	I ^u	JTAG Input Data.
23	TMS	I ^u	JTAG Mode Select.
24	$\overline{\text{TRST}}$	I ^u	JTAG Reset (Active-Low).
25	TDO	O	JTAG Output Data.
SCAN Specific Inputs			
27	$\overline{\text{SCAN_EN}}$	I ^u	Scan Enable. Place device in scan mode (active-low).
28	TEST_MODE	I ^d	Test Mode. Disable all clocks and async resets (active-high).
114	CDR_TSTMUX0	O	CDR Test Output. Test purpose only.
LVDS Control Signals			
146	LVDS_REFSEL	I _u	LVDS Reference Select. If LVDS_REFSEL = 0, then use external 1.0 and 1.4 reference voltages. If LVDS_REFSEL = 1, then use internal references.
129	LVDS_REF10	I	1.0 V Reference for LVDS Buffers. This signal is optional.
128	LVDS_REF14	I	1.4 V Reference for LVDS Buffers. This signal is optional.
127	LVDS_RES _{HI}	I	LVDS Resistor Pins. A 100 Ω ±1% resistor must be placed between these two pins when using the LVDS buffers.
126	LVDS_RES _{LO}	I	

* Pin order follows symbol order, e.g., pin 170 refers to TLSDATA7I.

† I = input, O = output, I/O = bidirectional signal, I^d = input with internal pull-down (~20 kΩ), I^u = input with internal pull-up (~100 kΩ), I^{diff} or O^{diff} = differential input or output. All I/O not explicitly stated with a buffer type are 5 V compatible. They will tolerate 5 V at their inputs or outputs. LVDS = low-voltage differential signal.

Pin Information (continued)

Table 1. Pin Descriptions for the 208-Pin SQFP Package (continued)

Pin*	Symbol	Type†	Name/Description
Power and Ground Pins			
1—2, 21 31, 51, 53—54, 74, 79, 84, 103, 105, 115, 120, 125, 135, 149, 155, 157—158, 177, 182, 187, 207	VSS	I	Ground Reference.
12, 17, 26, 36, 40, 44, 65, 73, 80, 85, 93, 116, 121, 130, 138, 144, 147, 152, 168, 180, 196	VDD	I	Power Supply for Digital Circuitry.
151, 32	REF5VTOL	I	5 V Tolerant Reference Voltage.

* Pin order follows symbol order, e.g., pin 170 refers to TLSDATA7I.

† I = input, O = output, I/O = bidirectional signal, I^d = input with internal pull-down (~20 kΩ), I^u = input with internal pull-up (~100 kΩ), I^{diff} or O^{diff} = differential input or output. All I/O not explicitly stated with a buffer type are 5 V compatible. They will tolerate 5 V at their inputs or outputs. LVDS = low-voltage differential signal.

Summary of I/O Pins

Table 2. Input/Output Summary

Type		Number of Pins
Input	Differential	8
	Single Ended	57
Output	Differential	6
	Single Ended	35
Bidirectional		8
Total Signal		114
No Connect (Reserved)		45
REF5VTOL		2
LVDS_REF10		1
LVDS_REF14		1
VDD		21
VSS (GND)		24
Total Package		208 SQFP

Mode Control Signals (See Register Description on page 54.)

The device is controlled by four control signals: **T/RSONET_SDH** and **T/RSTS3_AU4, 0x34**. These signals control the following:

- The type of input signal to expect (low-speed (LS) side—STS-1/AU-3).
- The expected high-speed (HS) input/output signal format—STS-3/STM-1 (AU-4), or STS-1.
- The default byte value in the outgoing HS frame.

These provisioning signals are summarized in Table 3 and Table 4.

Table 3. Transmit Mode Control Signals

TSTS3_AU4	TSONET_SDH	Description
0 = STS-3	0 = SONET ¹	Three STS-1 inputs multiplexed to an STS-3 output. Also used for STS-1 mode. See STS-1 Mode section for details.
1 = AU-4	0 = SONET*	Three AU-3 signals multiplexed to an STM-1 (AU-4) signal.
0 = STS-3	1 = SDH ²	Three STS-1 inputs multiplexed to an STS-3 output.
1 = AU-4	1 = SDH [†]	Three AU-3 signals multiplexed to an STM-1 (AU-4) signal.

1. SONET = OOF 0 → 1, 4 times detect; default output byte = 0x00.
 2. SDH = OOF 0 → 1, 5 times detect; default output byte = 0xFF.

Table 4. Receive Mode Control

RSTS3_AU4	RSONET_SDH	Description
0 = STS-3	0 = SONET ¹	One STS-3 input demultiplexed to three STS-1 outputs. Also used for STS-1 mode. See STS-1 Mode section for details.
1 = AU-4	0 = SONET*	One STM-1 (AU-4) input demultiplexed to three AU-3 outputs.
0 = STS-3	1 = SDH ²	One STS-3 input demultiplexed to three STS-1 outputs.
1 = AU-4	1 = SDH [†]	One STM-1 (AU-4) input demultiplexed to three AU-3 outputs.

1. SONET = OOF 0 → 1, 4 times detect; default output byte = 0x00; ignore SS bits.
 2. SDH = OOF 0 → 1, 5 times detect; default output byte = 0xFF; verify SS bits = 10.

STS-1 Mode

In STS-1 mode, all other device functions remain the same as in STS-3/STM-1 mode; except, the device runs at one-third the STS-3/STM-1 rate and operates on a single STS-1 frame. The high-speed side operates in the following three modes: 1) as a 51.84 Mbits/s serial interface, 2) as a parallel 12.96 MHz nibble wide, 3) or as a 6.48 MHz byte-wide interface. The low-speed STS-1/AU-3 side operates at 6.48 Mbytes/s and communicates with a single STS-1/AU-3 device (TMPR28051). Since the TOAC interface provides access to the transport overhead in a single STS-1 frame, its clock and data operate at 1.782 MHz, while the sync runs at 8 kHz. For STS-1 mode, set both mode pins 153 and 154 to a logic 0, and set all mode control bits **TSTS3_AU4, TSONET_SDH, RSTS3_AU4, RSONET_SDH, 0x34**, to a logic 0.

Transmit Direction Overview

The following major functions are performed in the transmit direction: STS-1/AU-3 bus mode retiming, input select control, STS-1/AU-3 inputs, out-of-frame (OOF) and loss-of frame (LOF) monitoring, descramble enable/disable, monitor B1 and B2 errors, H4 multiframe and pointer monitor (AU-4 mode only), STS-3 generate, STM-1 (AU-4) frame generation (AU-4 mode), transport overhead access channel (TOAC) insert, STS-3/STM-1 (AU-4) scramble enable, STS-3/STM-1 (AU-4) loopback control, and STS-3/STM-1 (AU-4) output interface.

STS-1/AU-3 Bus Mode Input Retiming

The bus mode provides a single byte-wide bus and parity bit that is shared with up to three devices at 19.44 Mb/s. The device will source a clock (19.44 MHz), synchronous payload envelope (SPE) indicator, J0J1V1 indicator, and V1 time indicator signals toward the downstream devices. These signals guarantee frame alignment between all three STS-1/AU-3 inputs and H4 byte multiframe values (AU-4 mode). The V1 time signal can be disabled under software control (**TLV1DISABLE, 0x35**).

The clock can be inverted leaving the device (**TLCLKINV, 0x35**). An odd/even parity bit (**TLV1PAR, 0x35**) is verified per byte transfer (**TLV1PAR[3—1], TLV1PAR[3—1], 0x07, 0x10**).

Input Select Control

This function determines which signals are multiplexed to form the STS-3 signal. These control bits (**TSEL[3—1][2:0], 0x3A, 0x38, 0x36**) allow loopback (STS-1/AU-3-R to STS-1/AU-3-T), input shuffle, and multicast operations to be possible. The selected STS-1/AU-3 inputs are labeled S#1T, S#2T, and S#3T in Figure 1.

Table 5. Input Select Control

TSEL [3—1][2:0]	Output
000 (0)	STS-1/AU-3 #1 Transmit
001 (1)	STS-1/AU-3 #2 Transmit
010 (2)	STS-1/AU-3 #3 Transmit
011 (3)	STS-1/AU-3 #1 Receive (Loopback) STS3 Mode Only
100 (4)	STS-1/AU-3 #2 Receive (Loopback) STS3 Mode Only
101 (5)	STS-1/AU-3 #3 Receive (Loopback) STS3 Mode Only
110 (6)	STS-1/AU-3 #1 Transmit
111 (7)	STS-1/AU-3 #1 Transmit

STS-1/AU-3 Inputs

The SONET/SDH STS-1/AU-3 frame is comprised of 9 rows x 90 columns that repeat at an 8 kHz rate. Each column is 1-byte wide. The frame contains three columns of transport overhead, one column of path overhead, and 86 columns of payload. For column byte definitions, see Table 6 on page 18.

Transmit Direction Overview (continued)

STS-1/AU-3 Inputs (continued)

The 27 bytes of transport overhead from each STS-1/AU-3 input must be aligned* (A1-1, A1-2, A1-3 must all be coincident from all three STS-1/AU-3 inputs) and are allocated as shown in Table 6.

Table 6. Expected STS-1/AU-3 Input Frame Format

	Transport Overhead			Payload	
	Col. 1	Col. 2	Col. 3	Col. 4	Col. 5—90
Row 1	A1 ^{†‡}	A2 ^{†‡}	J0	J1	X
Row 2	B1 ^{†‡}	E1	F1	B3	X
Row 3	D1	D2	D3	C2	X
Row 4	H1 [‡]	H2 [‡]	H3	G1	X
Row 5	B2 ^{†‡}	K1	K2	F2	X
Row 6	D4	D5	D6	H4 [‡]	X
Row 7	D7	D8	D9	Z3	X
Row 8	D10	D11	D12	Z4	X
Row 9	S1	M0	E2	Z5	X

† Monitored in STS-1 mode.

‡ Monitored in AU-4 mode.

Note: X = don't care (payload).

The path overhead (POH) can start anywhere within the SPE and cannot be accessed in the STS-3 mode.

In the AU-4 mode, the pointer is fixed at 522\D; therefore, the J1 byte will always be in row 1, column 4. The H4 byte is the only valid byte in the POH and all other bytes are ignored.

Out-of-Frame (OOF) and Loss-of-Frame (LOF) Monitoring

The device monitors for out-of-frame (OOF) and loss-of-frame (LOF) states on each selected STS-1/AU-3 input (TLSOOF[3—1], TLSOOFD[3—1], TLSOOFM[3—1], TLSLOF[3—1], TLSLOFD[3—1], TLSLOFM[3—1], 0x08, 0x11, 0x19). Each input will be considered out-of-frame until two successive framing patterns (0xF628) separated in time by 125 μs occur without framing byte errors. Each selected STS-1/AU-3 input will be considered in frame until five (SDH)/four (SONET) successive frames separated in time by 125 μs occur with errored framing patterns. The device will be considered in the LOF state when an OOF condition persists for 24 consecutive frames (3 ms) or clear when the OOF condition is inactive for 24 consecutive frames (3 ms) with the correct framing patterns spaced 125 μs apart.

Descramble Enable/Disable

Each selected STS-1/AU-3 input can be descrambled (TLSDSCR[3—1], 0x3A, 0x38, 0x36) according to the frame synchronous descrambling sequence $1 + x^6 + x^7$. The sequence is reset to 1111111 at the beginning of the byte following the C1 byte and descrambles all of the STS-1/AU-3 data except the A1, A2, and J0 bytes. Writing a logic 1 to the appropriate bit causes the selected STS-1/AU-3 signal to be descrambled.

* Can be provided by the Agere TMAPR28051 mapper device.

Transmit Direction Overview (continued)

Monitor B1 and B2 Errors

The device verifies B1 and B2 bit interleaved parity (BIP) values on each selected STS-1/AU-3 input. The device will count BIP errors or block errors under software control (**BITBLOCKCNT**, **TLB1ECNT[3—1][15:0]**, **TLB2ECNT[3—2][15:0]**, **TLB2ECNT1[17:0]**, **0x34**, **Page 1 - 0x80—0x85**, **Page 1 - 0x86—0x88**, **Page 1 - 0x89—0x8C**). These counters will update on **LATCH_CNT**, **0x04** and are large enough to store at least 1 second's worth of data.

H4 Multiframe and Pointer Monitor (AU-4 Mode Only)

In this mode, all three input signals are required to have pointer values (H1, H2) with the same fixed value of 522\0D. This ensures the J1 byte starts in row 1, column 4. The H4[1:0] multiframe bits must be the same from all inputs and equal to the internally expected value. This is required because the output STM-1 (AU-4) signal only has one H4 byte. The device will synchronize its H4 internal expected value to a 1 after detecting an embedded 2 kHz sync in the local frame sync signal (THS(S)J0J1V1I(T/C)).

The device will declare a pointer match after two consecutive pointer values of 522\0D are detected 125 μ s apart. A pointer mismatch will be declared after five successive frames separated in time by 125 μ s occur with errored pointer values (**TLSPTRMIS[3—1]**, **TLSPTRMISD[3—1]**, **TLSPTRMISM[3—1]**, **0x1A**, **0x09**, **0x12**).

The device will declare an H4 multiframe match after two consecutive H4 values match the expected value spaced 125 μ s apart. An H4 multiframe mismatch will be declared after five successive frames separated in time by 125 μ s occur with H4 values not equal to the expected value (**TLSH4MIS[3—1]**, **TLSH4MISD[3—1]**, **TLSH4MISM[3—1]**, **0x1A**, **0x09**, **0x12**).

Transmit Direction Overview (continued)

STS-3 Generate

The device will create the overhead according to Table 7. The POH byte locations are not fixed and cannot be accessed.

Table 7. STS-3 Output Overhead Format

	STS-3 Overhead									
	Col. 1	Col. 2	Col. 3	Col. 4	Col. 5	Col. 6	Col. 7	Col. 8	Col. 9	Col. 10—270
Row 1	A1-1	A1-2	A1-3	A2-1	A2-2	A2-3	J0	Z0-2	Z0-3	Payload
Row 2	B1	B1-2*	B1-3*	E1*	E1-2*	E1-3*	F1*	F1-2*	F1-3*	
Row 3	D1*	D1-2*	D1-3*	D2*	D2-2*	D2-3*	D3*	D3-2*	D3-3*	
Row 4	H1-1	H1-2	H1-3	H2-1	H2-2	H2-3	H3-1	H3-2	H3-3	
Row 5	B2-1	B2-2	B2-3	K1	K1-2*	K1-3*	K2	K2-2*	K2-3*	
Row 6	D4*	D4-2*	D4-3*	D5*	D5-2*	D5-3*	D6*	D6-2*	D6-3*	
Row 7	D7*	D7-2*	D7-3*	D8*	D8-2*	D8-3*	D9*	D9-2*	D9-3*	
Row 8	D10*	D10-2*	D10-3*	D11*	D11-2*	D11-3*	D12*	D12-2*	D12-3*	
Row 9	S1*	Z1-2*	Z1-3*	Z2-1*	Z2-2*	M1	E2*	E2-2*	E2-3*	

* Access through transmit TOAC (see Table 17 on page 37).

Note: Bold type within the table is not defined in the standard and is labeled here for clarity.

The following values are assigned to the transmitted overhead bytes:

A1—11110110 (0xF6)

A2—00101000 (0x28)

J0—**TJ0DINS[7:0], 0x3F**

Z0-2—**TZ02DINS[7:0], 0x40**

Z0-3—**TZ03DINS[7:0], 0x41**

B1—Variable value (BIP-8 parity)

F1—Variable value **TF1DINS[7:0], 0x42**

H1-1, 2, 3—Passed through from respective STS-1

H2-1, 2, 3—Passed through from respective STS-1

H3-1, 2, 3—Passed through from respective STS-1

B2-1, 2, 3—Variable value (BIP-24)

K1—Variable value **TAPSINS[12:5], 0x43, 0x44**

K2—Variable value **TAPSINS[4:0], TK2INS[2:0], 0x43, 0x44**—RDI-L, AIS-L

S1—Variable value **TS1DINS[7:0], 0x45**

M1—Variable value (Section FEBE—Number of B2 Errors) **TSFEBEINH, 0x3E**

All bytes not specified above, either:

(1) Are set to the fixed stuff value (0x00 (SONET)).

(2) Are TOAC value-inserted.

(3) Have passed through from the selected STS-1 input, all under software control.

The variable values are described beginning on page 30 in the Maintenance Functions section of this document.

Transmit Direction Overview (continued)

STM-1 (AU-4) Frame Generation (AU-4 Mode)

The device will create the overhead according to the following table. The path overhead bytes are created in this mode. The three AU-3 inputs are converted to TUG-3 format and inserted into a VC-4 that is multiplexed into an AU-4.

Table 8. STM-1 (AU-4) Output Overhead Format

	STM-1 (AU-4) Overhead									AU-4 Payload												
	Col. 1	Col. 2	Col. 3	Col. 4	Col. 5	Col. 6	Col. 7	Col. 8	Col. 9	POH 10	1 1	1 2	1 3	1 4	1 5	1 6	1 7	1 8	1 9	2 0	2 1	22—270
Row 1	A1-1	A1-2	A1-3	A2-1	A2-2	A2-3	J0	Z0-2	Z0-3	J1	F I X E D	F I X E D	N P I	N P I	N P I	F I X E D	F I X E D	F I X E D	T U G - 3	T U G - 3	T U G - 3	—
Row 2	B1	B1-2*	B1-3*	E1*	E1-2*	E1-3*	F1*	F1-2*	F1-3*	B3												—
Row 3	D1*	D1-2*	D1-3*	D2*	D2-2*	D2-3*	D3*	D3-2*	D3-3*	C2												—
Row 4	H1-1	Y	Y	H2-1	1*	1*	H3-1	H3-2	H3-3	G1												—
Row 5	B2-1	B2-2	B2-3	K1	K1-2*	K1-3*	K2	K2-2*	K2-3*	F2												—
Row 6	D4*	D4-2*	D4-3*	D5*	D5-2*	D5-3*	D6*	D6-2*	D6-3*	H4												—
Row 7	D7*	D7-2*	D7-3*	D8*	D8-2*	D8-3*	D9*	D9-2*	D9-3*	Z3												—
Row 8	D10*	D10-2*	D10-3*	D11*	D11-2*	D11-3*	D12*	D12-2*	D12-3*	Z4												—
Row 9	S1*	Z1-2*	Z1-3*	Z2-1*	Z2-2*	M1	E2*	E2-2*	E2-3*	Z5												—

* Access through transmit TOAC (see Table 17 on page 37).

Note: Bold type within the table is not defined in the standard and is labeled here for clarity.

The following values are assigned to the transmitted overhead bytes:

- A1—11110110 (0xF6)
- A2—00101000 (0x28)
- J0—Variable value **TJ0DINS[7:0], 0x3F**
- Z0-2—Variable value **TZ02DINS[7:0], 0x40**
- Z0-3—Variable value **TZ03DINS[7:0], 0x41**
- B1—Variable value (BIP-8 Parity)
- F1—Variable value **TF1DINS[7:0], 0x42**
- H1-1—01101010
- H2-1—00001010 (pointer value of 522\D)
- Y—10011011 (NDF, SS, PTR)—Concatenation indication
- 1[†]—All ones pattern
- H3-1, 2, 3—Default byte value (0xFF)
- B2-1, 2, 3—Variable value BIP-24
- K1—Variable value **TAPSINS[12:5], 0x43, 0x44**
- K2—Variable value **TAPSINS[4:0], TK2INS[2:0], 0x43, 0x44**—RDI-L, AIS-L
- S1—Variable value **TS1DINS[7:0], 0x45**
- M1—Variable value (section FEBE—number of B2 errors) **TSFEBEINH, 0x3E**

† Access through transmit TOAC.

Transmit Direction Overview (continued)**STM-1 (AU-4) Frame Generation (AU-4 Mode)** (continued)**Path Bytes**

J1—64-byte programmable sequence **TJ1INS, 0x3E, TJ1DINS[64—1][7:0], 0x3E, 0x80—0xBF**

B3—Variable value BIP-8

C2—**TC2DINS[7:0], 0x46**

G1[7:4]—REICNT (B3 errors from receive side) **TPFEBEEINS, 0x4D**

G1[3]—RDI indication **TPRDIINS, 0x4B**

G1[2:0]—Default value

F2—Variable value **TF2DINS[7:0], 0x47**

H4[1:0]—Position indicator (multiframe value (00\B to 11\B))

Z3—Variable value **TZ3DINS[7:0], 0x48**

Z4—Default value

Z5—Variable value **TZ5DINS[7:0], 0x49**

Fixed stuff = depends on **TSOINET_SDH, 0x34** value (SONET = 0x00, SDH = 0xFF)

NPI (null pointer indicator—byte 1, byte 2, and byte 3) = (10011011, 11100000, 11111111). NPI is generated for compatibility with older devices.

All bytes not specified above, either:

- (1) Are set to the fixed stuff value 0xFF (SDH).
- (2) Are TOAC value inserted.
- (3) Have passed through from the selected AU-3 input, all under user control.

Transmit Direction Overview (continued)

Transport Overhead Access Channel (TOAC) Insert

The device will allow the insertion of overhead data from the transmit TOAC under user control. (See TTOAC in the Maintenance Functions section, page 36, for more details.)

STS-3/STM-1 (AU-4) Scramble Enable

Scrambling of the STS-3/ STM-1 (AU-4) signal is provisionable (**THSSCR, 0x3D**). A frame synchronous scrambling sequence $1 + x^6 + x^7$ is used. The sequence is reset to 1111111 at the beginning of the byte following the Z0-3 byte and scrambles all of the STS-3/STM-1 (AU-4) data except all the A1, A2 and J0, Z0 bytes. Writing a logic 1 to this bit causes the signal to be scrambled.

STS-3/STM-1 (AU-4) B1, B2, and B3 BIP Generation

The device will generate a B1-BIP-8, B2-BIP-24, and a B3-BIP-8 (AU-4 mode only) on the output signal. Each BIP calculator can be programmed to insert an inverted BIP value (**THSB1ERRINS, THSB2ERRINS[3—1], THSB3ERRINS, 0x4C**).

STS-3/STM-1 (AU-4) Loopback Control

The output STS-3/STM-1 (AU-4) signal can be replaced by the receive STS-3/STM-1 (AU-4) signal under software control (**RHS2THSLB, 0x3D**). The output format (bit, nibble, or byte) will be the same as the receive input format not the transmit output port format.

Note: The transmit port type must be programmed to be the same as the receive input type.

STS-3/STM-1 (AU-4) Output Interface

The transmit STS-3/STM-1 (AU-4) output can either be serial at 155.52 Mb/s, nibble at 38.88 Mb/s, or byte at 19.44 Mb/s. This is controlled by writing to **THSPTYPE[1:0], 0x3C**. The data is clocked out of the device on the rising edge of the clock. This clock can be inverted leaving the device (**THSCLKINV, 0x3C**). When provisioned in the parallel or nibble mode, an even or odd parity bit is generated per transfer (**THSPAROE, 0x3C**). The output sync can be programmed to be active on the first clock cycle of the frame (A1-1 coincident with sync) or the last clock cycle of the frame (**THSSA1orEND, 0x3C**).

The output clock, sync, and data signals can be placed in a high-impedance state under user control (**THSCHIZ = 1, THSSHIZ = 1, THSDHIZ = 1, 0x3D**). Unused outputs in serial and nibble mode will be placed in a high-impedance state automatically by the device.

Receive Direction Overview

The following functions are performed in the receive direction: input retiming, clock and data recovery, STS-3/STM-1 (AU-4) framing, loss-of-signal detection, loopback select logic, RSTS-3/STM-1 (AU-4) frame synchronous descrambling, TOAC drop, B1, B2, and B3 checking, monitoring functions, pointer interpretation, data demultiplex and conversion (AU-4 mode only), STS-1/AU-3 output byte control, B1 and B2 generate, STS-1/AU-3 output scramble, output selection logic, and output data formatter.

Receive Direction Overview (continued)

Input Retime

The device accepts either a serial 155.52 MHz-Mbits/s, nibble 38.88 MHz-Mbits/s, or byte parallel 19.44 MHz-Mbits/s clock-data STS-3/STM-1 (AU-4) input. This is controlled by writing to **RHSPTYPE[1:0], 0x55**. The user can configure which edge of the clock to use to retime the data. **RHSEEDGE, 0x55 = 1** uses the rising edge; **RHSEEDGE = 0** uses the falling edge. If in nibble or parallel mode, an odd/even parity bit (**RHSVOEPAR, 0x55**) is verified per transfer (**RHSPARE, RHSPARM, 0x0A, 0x13**), otherwise, this indicator is disabled.

Clock and Data Recovery

The device provides an optional clock and data recovery circuit (CDR) on the serial STS-3/STM-1(AU-4) input. The CDR aligns the STS-3/STM-1 data signal to a local clock and then outputs a retimed data and clock signal. The input data and local clock rates need not be synchronous. The CDR only works at the nominal 155 Mbits/s rate and uses the high-speed transmit input clock (THSSCLKIT/C) as a reference for the local clock. The CDR is enabled by the **RHSPORCDRSEL** bit, **0x57**.

STS-3/STM-1 (AU-4) Framing

The device will frame on the input STS-3/STM-1 (AU-4) signal. The state of the framer (**RHSOOF**), as well as any changes to this state (**RHSOOFD, RHSOOFM, 0x0A, 0x13**), will be reported. A loss-of-frame (**RHSLOF, 0x1B**) state bit, as well as any changes to this state (**RHSLOFD, RHSLOFM, 0x0A, 0x13**), will be reported.

Framing Algorithm

The 32-bit (A1-2, A1-3, A2-1, A2-2) framing pattern will be used in the frame detection. The device will be considered out of frame until two successive framing patterns separated in time by 125 μ s occur without framing byte errors.

The device will be considered in frame until five (SDH)/four (SONET) successive frames separated in time by 125 μ s occur with errored framing patterns. If the framer transitions to the out-of-frame state, the framer will remain synchronized to the last known frame boundary or the latest detected unerrored framing pattern.

The device will be considered in the loss-of-frame state (LOF) when an OOF condition persists for 24 consecutive frames (3 ms). The device will transition out of the LOF state after receiving 24 consecutive frames with the correct framing patterns spaced 125 μ s apart and the OOF condition is clear.

Loss of Signal

The device will detect a loss-of-signal condition by monitoring a unique input signal pin (**RHSLOSEXTI**) or detecting a continuous all-zeros/all-ones pattern for 51.44 ns to 105 μ s in 51.44 ns steps (**LOSDETCNT[10:0], 0x58—0x59**) before data is descrambled. To recover from the LOS state receiving two consecutive frames with the correct framing pattern spaced 125 μ s apart without an incoming LOS all-zeros/ones pattern will cause an LOS state to be cleared. This recovery applies to both internal and external LOS failure causes. The device will report this condition to the microprocessor interface (**RHSLOS, RHSLOSD, RHSLOSM, 0x1B, 0x0A, 0x13**).

Receive Direction Overview (continued)

Loopback Select Logic

The device can be configured to loopback the transmit STS-3/STM-1 (AU-4) (**THS2RHSLB** = 1, **0x55**) or accept the local STS-3/STM-1 (AU-4) signal (**THS2RHSLB** = 0). While in the loopback mode, the **RHSOOF**, **RHSLOF**, and **RHSLOS** (**0x1B**) state bits are inhibited from causing an alarm indication signal (AIS) from being generated on the STS1/AU-3 output signals.

RSTS-3/STM-1 (AU-4) Frame Synchronous Descrambling (SONET/SDH)

The device will descramble the received SONET/SDH data (minus the first row of SOH) according to the frame synchronous descrambling polynomial; specifically: $f(x) = 1 + x^6 + x^7$. Under software control, frame descrambling can be disabled (**RHSDSCR** = 1, **0x55**).

TOAC Drop

This channel drops all of the transport overhead bytes from the STS-3/STM-1 (AU-4) signal. (See RTOAC in the Maintenance Functions section, page 44, for more details (RTOACCLKO, RTOACSYNCO, RTOACDATAO)).

B1, B2, and B3 Checking

The device will monitor the incoming B1, B2, and B3 values for errors. The error counts will be latched when the **LATCH_CNT** signal transitions from a low to a high (**RHSB1ECNT[15:0]**, **RHSB2ECNT[17:0]**, **RHSB3ECNT[3—1][15:0]**, **Page 1 - 0x8D—0x8E**, **Page 1 - 0x8F—0x91**, **Page 1 - 0x92—0x97**). These counters will either count bit or block errors (**BITBLOCKCNT**, **0x34**).

Monitoring Functions

The following transport overhead and path overhead bytes are monitored for failures or changes in states ((J0, Z0-2, Z0-3, F1, K1K2 (APS bytes), S1, M1), (J1,C2, G1, F2, H4, Z3, Z5)). The bit error rate of the incoming STS-3/STM-1 (AU-4) signal is calculated to create signal fail and signal degrade indicators. (See Maintenance Functions Disabled During Failure Conditions in the Maintenance Functions section, page 28, for more details.)

Pointer Interpretation

The device will evaluate the current pointer state for the normal state, Path AIS (PAIS) state, or loss-of-pointer (LOP) conditions, as well as pointer increments and decrements (that are counted in **RPTR_INC[3—1][10:0]** and **RPTR_DEC[3—1][10:0]** counters (**0x98—0xA3**), respectively). The current pointer state (**RLOP[3—1]**, **RPAIS[3—1]**, **0x1C**) and any changes in pointer condition (**RLOPD[3—1]**, **RLOPM[3—1]**, **RPAISD[3—1]**, **RPAISM[3—1]**, **0x0B**, **0x14**), are reported to the control system. When the device is receiving a concatenated signal (STM-1(AU-3)), the **RCONCATMODE**, **0x55** bit must be set for the concatenation state machines (**CONCAT_STATE[3—2][1:0]**, **0x1C**, **0x1D**) on ports 2 and 3 to contribute to pointer evaluation.

This state machine implements the pointer interpretation algorithm described in ETS 300 417-1-1: January 1996 - Annex B.

The number of consecutive conditions for invalid pointer and invalid concatenation indication are programmable with a range 8—10 (**CNTCIP_ICI[1:0]**, **0x5F**).

Receive Direction Overview (continued)

Data Demultiplex and Conversion (AU-4 Mode Only)

The device will demultiplex the STS-3/STM-1 (AU-4) signal into three STS-1/AU-3 signals, respectively. In the AU-4 mode, a conversion between the AU-4 payload format and the AU-3 payload format is performed. This requires the location of the J1 byte to be known, while this is not the case in the STS-3 mode, where the high-speed signal is byte demultiplexed and no format conversion occurs.

STS-1/AU-3 Output Byte Control

The output overhead bytes are controlled in one of four ways:

1. Errors can be inserted.
2. Values from the high-speed STS-3/STM-1 signal can be copied or set to the byte default.
3. Values can be inserted under software control.
4. Values can be inserted under hardware control.

Table 9 specifies the specific control allowed for each overhead byte. Table 18 in the Maintenance Functions section provides details for selecting each control mode.

Table 9. STS-1/AU-3 Format and Overhead Control Summary

	Transport Overhead			Payload	
	Col. 1	Col. 2	Col. 3	Col. 4	Col. 5—90
Row 1	A1	A2 ¹	J0 ³	J1 ⁴	X
Row 2	B1 ¹	E1 ²	F1 ^{2, 3}	B3	X
Row 3	D1 ²	D2 ²	D3 ²	C2 ⁴	X
Row 4	H1 ^{1, 4}	H2 ^{1, 4}	H3 ⁴	G1 ⁴	X
Row 5	B2 ¹	K1 ^{1, 3}	K2 ^{1, 3}	F2 ⁴	X
Row 6	D4 ²	D5 ²	D6 ²	H4 ⁴	X
Row 7	D7 ²	D8 ²	D9 ²	Z3 ⁴	X
Row 8	D10 ²	D11 ²	D12 ²	Z4	X
Row 9	S1 ²	M0 ^{1, 5}	E2 ²	Z5 ⁴	X

- 1.Error insert.
- 2.Input pass or default value.
- 3.Software overwrite.
- 4.Copy of the selected byte from the incoming STM-1 (AU-4) frame; otherwise, the bytes pass without being changed (POH can start anywhere within the SPE).
- 5.Hardware overwrite.

Note: X = don't care (payload).

B1 and B2 Generate

The B1 and B2 values of the outgoing STS-1/AU-3 signal are calculated. An error can be inserted into the B1 and B2 values on a per STS-1/AU-3 basis (**RB1ERRINS[3—1], RB2ERRINS[3—1], 0x63**).

Receive Direction Overview (continued)

STS-1/AU-3 Output Scramble

The device allows scrambling of the output signals on a per-output basis (**RLSSCR[3—1], 0x57**).

Output Selection Logic

The demultiplexed signals can be routed to any output port or can be multicast to more than one port. The control bits (**RSEL[3—1][1:0], 0x56**) allow this to occur under software control. See Table 10.

Table 10. STS-1/AU-3 Output Select Control

RSEL [3—1][1:0]	Output
00 (0)	STS-1/AU-3 #1 Receive
01 (1)	STS-1/AU-3 #2 Receive
10 (2)	STS-1/AU-3 #3 Receive
11 (3)	Undefined

Output Data Formatter

The device outputs one clock at 19.44 MHz, one J0 time signal, an 8-bit data bus, and an odd/even (**RPLSPAROEg, 0x57**) parity bit. The bus can be shared with up to three other devices. Each device determines its time slot using the J0 time signal. The byte coincident with the J0 time sync signal is always available for device number 1. Subsequent bytes are available for device 2, device 3, and then device 1 again. The sense of the 19.44 MHz output clock can be inverted under user control (**RLSCLKINV, 0x57**).

Maintenance Functions

Maintenance functions are associated with monitoring signals and conditions in the device. This section is divided into a common section, a transmit section, and a receive section.

Maintenance Functions (continued)

Maintenance Functions Disabled During Failure Conditions

Several maintenance functions are disabled during failure conditions. These are listed in the following table. Event and status information will be disabled and all BIP and far-end bit error (FEBE) counters will be held at 0.

Table 11. Monitors Disabled During Failure Conditions

Direction	Failure	Monitors Disabled
Transmit	TILOC (0x19)	Transmission path and all monitors disabled
	TLSOOF[3—1] and TLSOOF_AISINH[3—1] or TLSLOF[3—1] and TLSLOF_AISINH[3—1] (0x19, 0x37, 0x39, 0x3B)	TLSB1ECNT[3—1][15:0], TLSB2ECNT[1][17:0], TLSB2ECNT[3—2][15:0] (Page 1 - 0x80—0x8C)
	RHSLOS or RHSLOF or RHSOOF (0x1B)	SFEFE and PFEFE (AU-4 mode only) insert (value set to 0)
Receive	RILOC and RRILOC_AISINH (0x1B, 0x58)	Transmission path and all monitors disabled
	RHSLOS and RRHSLOS_AISINH or RHSLOF and RRHSLOF_AISINH or RHSOOF and RRHSOOF_AISINH (0x1B, 0x58)	J0Z0MON, F1MON, APSMON, K2MON, LRDIMON, LAISMON, RHSSF, RHSSD, RHSB1ECNT[15:0], RHSB2ECNT[16:0], RSFEBECNT[7:0], RPFEBECNT[3—1][15:0], and all path monitoring functions (0x1B, 0xA6—0xAC, 0x8E)
	(RPAIS[3:1] or RLOP[3:1]) and PAISLOP_AISINH (0x1C, 0x57)	All path monitoring functions: J1, C2, B3, G1, F2, H4, Z3, Z5

Common Maintenance and Control Functions

The common section addresses maintenance functions that are common to both directions.

Device Reset

The device will provide a device reset function (**RSTCTL, 0x04**). This device reset will be initiated by a unique input signal or by a command received through the control interface. A device reset will set all maintenance and control registers to their default values. A device reset is service affecting.

Note: This signal must toggle from 0 → 1 → 0.

Composite Service Request

The device will provide a summary of the device monitoring conditions (**INT, 0x00**).

Mask Bit Operation

Mask bits will only inhibit the contribution of the event or delta bit contributing to the interrupt. The event or delta bits will not be cleared if the corresponding mask bit is cleared. Delta and event bits clear-on-read.

Maintenance Functions (continued)

Common Maintenance and Control Functions (continued)

Device Version and Device ID Number

The device will have a version number (**DEVVER[7:0], 0x03**). The version increments each time the device functionality is changed, from the controller's perspective. The device ID (**DEVID[15:0], 0x01—0x02**) is a fixed pattern used to identify the device by software.

Scratch Byte

The device will provide a 1-byte scratch register for the control interface to verify write capability to the device (**SCRATCH[7:0], 0x06**).

Multibyte Registers

If a read value parameter register requires more than 8 bits, the device must prevent the value from changing between 8-bit read commands. In these cases, the controller reads the lowest address byte first and transfers the higher address bytes to a holding register where the value is held until the controller reads them. Similarly, if a multibyte writable register is implemented, the controller writes the lowest address byte first, which is stored in a holding register until the controller writes the highest address byte, and then all of the bytes take effect.

To simplify device design, the controller reads or writes all of the bytes of a multibyte register before reading or writing other registers so that the holding registers may be shared among all multibyte registers. This read/write operation is valid on all multibyte registers not controlled by the **LATCH_CNT, 0x04** bit.

Update Counter Control

For performance monitoring purposes, there are a number of BIP, FEBE, and pointer interpreter increment/decrement error counters in the receive/transmit section. All of these internal counters are comprised of a running error counter and a hold register that present stable results to the microprocessor. The counts in all of the running counters are latched to the hold registers when **LATCH_CNT, 0x04** is written from a logic 0 to a logic 1. This zeros all of the running counters. The results are held to be read by the microprocessor. All of the internal counters have the ability to store more than 1 second's worth of counts, so as long as the **LATCH_CNT** occurs every second, or faster, no counts will be lost. In case this doesn't happen, all of the running counters will hold their maximum value rather than roll over to 0. The following counters¹ are affected by **LATCH_CNT**:

- **TLSB1ECNT[3—1][15:0], 0x08—0x85**
- **TLSB2ECNT[1][17:0], 0x86—0x88**
- **TLSB2ECNT[3—2][15:0], 0x89—0x8C**
- **RHSB1ECNT[15:0], 0x8D—0x8E**
- **RHSB2ECNT[17:0], 0x8F—0x91**
- **RHSB3ECNT[3—1][15:0], 0x92—0x97**
- **RPTR_INC[3—1][10:0], 0x98—0x9D**
- **RPTR_DEC[3—1][10:0], 0x9E—0xA3**
- **RSFEBECNT[17:0], 0xA4—0xA6**
- **RPFEBECNT[3—1][15:0], 0xA7—0xAC**

¹ All addresses for these counters are in Page 1 registers.
Agere Systems Inc.

Maintenance Functions (continued)

Common Maintenance and Control Functions (continued)

Bit or Block Count

The device allows all counters, except the pseudorandom error counter, to either count the actual number of bit errors or the number of blocks (a block equals one frame) that contain an error (**BITBLOCKCNT, 0x34**).

The section and path FEBE counters count the actual number of bit errors or the number of blocks that contain an error (**FEBEBITBLOCKCNT, 0x34**).

Transmit Functions

The transmit section addresses maintenance functions that are unique to the transmit direction.

Parity (B1, B2, B3)

The device will perform a bit interleaved BIP-8 parity (B1) calculation and will write these bits into the B1 section overhead byte. The device will perform a bit interleaved BIP-24 parity (B2) calculation and will write these bits into the B2 line overhead byte. The device will perform a bit interleaved BIP-8 parity (B3) calculation and will write these bits into the B3 path overhead byte (AU-4 mode only).

The device can perform a B1 (**THSB1ERRINS, 0x4C**), B2 (**THSB2ERRINS[3—1], 0x4C**), and B3 (**THSB3ERRINS, 0x4C**) parity byte inversion via microprocessor control.

A1, A2 Error Enable

The device will allow, under software control, from 1 to 32 continuous frames to have errored A1A2 patterns in the outgoing frame (**TA1A2ERRINS[4:0], 0x4D** and **TA1A2ERREN, 0x04**).

Section Trace/Growth Byte Insert (J0/Z0)

The device inserts the data written into **TJ0DINS[7:0], 0x3F**, **TZ02DINS[7:0], 0x40**, and **TZ03DINS[7:0], 0x41** into the outgoing J0/Z0 bytes.

Fault Location Insert (F1)

Via microprocessor control of **TF1INS, 0x3E** and **TF1DINS[7:0], 0x42**, data information may be inserted into the outgoing F1 byte. Direct microprocessor insert has higher priority than the TOAC insert control bit (**TTOAC_F1[1:0], 0x51**).

Sync Status Byte Insert (S1)

Via microprocessor control of **TS1INS, 0x3E** and **TS1DINS[7:0]0x45**, data information may be inserted into the outgoing S1 byte. Direct microprocessor insert has higher priority than the TOAC insert control bit (**TTOAC_Z1[1:0], 0x51**).

Automatic Protection Switch (APS) Insertion (K1[7:0], K2[7:3])

The device writes the K1 and K2 bytes into the transmit K1 and K2 overhead bytes (**TAPSINS[12:0], 0x43, 0x44**). The K1 and K2[7:3] bits will only change when both values are valid. The **TAPSINS[4:0], 0x44** byte is the trigger for updating the APS bytes in the outgoing frame.

Maintenance Functions (continued)

Transmit Functions (continued)

APS Babbling Test Control

Setting the **TAPSBABLEINS, 0x4D** register, via microprocessor control, forces the APS bytes (K1[7:0], K2[7:3]) to an inconsistent state.

Line Remote Defect Indication (RDI-L) Insertion (K2[2:0] = 110)

The device will write Line RDI into the data signal using the following equation:

$$\begin{aligned} \text{TLRDIINT} = & (\text{RILOC AND } \overline{\text{TRILOC_LRDIINH}}) \text{ OR} \\ & (\text{RHSLOS AND } \overline{\text{TRHSLOS_LRDIINH}}) \text{ OR} \\ & (\text{RHSOOF AND } \overline{\text{TRHSOOF_LRDIINH}}) \text{ OR} \\ & (\text{RHSLOF AND } \overline{\text{TRHSLOF_LRDIINH}}) \text{ OR} \\ & (\text{RLAISMON AND } \overline{\text{TRLAISMON_LRDIINH}}) \text{ OR} \\ & (\text{RHSSF AND } \overline{\text{TRHSSF_LRDIINH}}); \end{aligned}$$

(See 0x1A, 0x1B, 0x1D, and 0x4A.)

Hardware insert of Line RDI will occur when **TLRDIINT, 0x1A** is active and the software insert control bit (**TLRDIINH, 0x4A**) is disabled. User-provided data (**TK2INS[2:0], 0x43**) will be inserted into the K2[2:0] bits in the STS-3/STM-1 (AU-4) frame when **TLRDIINH = 0**. The insertion of Line RDI consists of writing the pattern 110 into the three LSBs of the K2 LOH byte.

Unequipped and AIS Generation (Automatic/Manual)

Line AIS or AU4-AIS or TUG-3 AIS can be generated automatically by the hardware under certain failure conditions or via microprocessor control only. This is accomplished with the following equations and control signals:

$$\text{FAILURE}[3-1] = ((\text{TLSOOF}[3-1] \text{ AND } \overline{\text{TLSOOF_AISINH}[3-1]}) \text{ OR} (\text{TLSLOF}[3-1] \text{ AND } \overline{\text{TLSLOF_AISINH}[3-1]}))$$

$$\text{H4PTRMIS}[3-1] = ((\text{TLSH4MIS}[3-1] \text{ AND } \overline{\text{TLSH4MIS_AISINH}[3-1]}) \text{ OR} (\text{TLSPTRMIS}[3-1] \text{ AND } \overline{\text{TLSPTRMIS_AISINH}[3-1]})) \text{ AND } \text{STS1_AU4};$$

AU-4 mode only

$$\text{LAIS}[3-1] = \text{TLS_LAISINS}[3-1] \text{ OR } \text{FAILURE}[3-1] \text{ OR } \text{H4PTRMIS}[3-1];$$

$$\text{AU4AISGen} = \text{LAIS1 AND LAIS2 AND LAIS3};$$

(See 0x1A, 0x37, 0x39, 0x3B.)

Each alarm contribution that can cause AIS generation can be selectively inhibited. Line AIS is generated in the STS-3 mode per STS-1 input when the appropriate **FAILURE[3-1]** or **TLS_LAISINS[3-1]** (software enable) signals are active. (Line overhead and the entire payload is set to an all-ones pattern.) In this mode, the **H4PTRMIS[3-1]** contribution will always be 0. AU4-AIS generation will set all H1, H2, H3, and payload bytes to an all-ones pattern in the output STM-1 (AU-4) signal. TUG-3 AIS generation will force all the data in the selected TUG-3 signal to be set to an all-ones pattern.

In the STS-3 mode, an unequipped signal can be generated for any STS1 input under software control (**TLS_UNEQUIP[3-1], 0x3B, 0x39, 0x37** and (H1 = 0110SS00 AND H2 = 00000000)) and the selected payload is set to 0. In AU-4 mode, the H1 and H2 bytes will not change from their default values and the entire payload will be set to 0.

The SS bits will be set to the value written into register bits (**TSS[1:0], 0x3E**). AIS generation has higher priority than unequipped signal generation.

Maintenance Functions (continued)

Transmit Functions (continued)

H1 and H2 Corruption

Setting the TH1H2CRUPEN[3—1], 0x4E, register, via microprocessor control, allows the outgoing H1 and H2 values to be corrupted for each STS-1 channel. Either an invalid pointer or a continuous new data flag can be inserted (TH1H2CRUPPorNDF, 0x4E).

Loss-of-Transmit Clock or Loss-of-Frame Sync

The device will detect a loss-of-transmit clock condition for the clock input in the transmit direction. Also, the device was designed to detect a loss-of-frame sync for the frame sync input signal (Note, the loss-of-frame sync (TILOF) feature is not supported in version 3 of the device). The state of **TILOC** and **TILOF (0x19)** along with any changes to **TILOCFD** and **TILOCFM (0x07 and 0x10)** will be reported to the control system.

Transmit Clock Frequency Provisioning

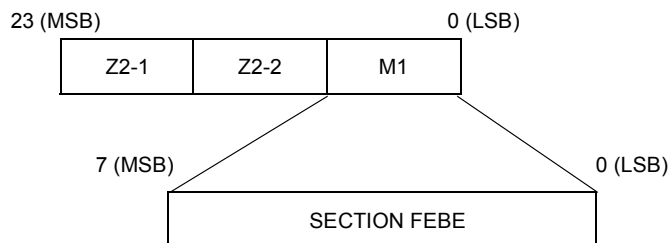
The device must be provisioned (**THSCLKTYPE[1:0], 0x3C**) with the speed (155.52 MHz—bit, 38.88 MHz—nibble, 19.44 MHz—byte) of the transmit clock. This information is needed to set the internal clock divider circuitry and determine valid output port modes (e.g., a byte clock input cannot support a serial output port at 155.52 Mbits/s).

Maintenance Functions (continued)

Transmit Functions (continued)

Section Far-End Bit Error (SFEBE)

The device will insert SFEBE in the transmitted M1 byte whenever there are bit errors in the received B2 bytes. This function can be inhibited (**TSFEBEINH, 0x3E**) and the default value inserted, either all ones (SDH) or all zeros (SONET). The device can insert a continuous error into the M1 byte under user control (**TSFEBEEINS, 0x4D**). SFEBE will be inserted into the M1 byte as defined in Figure 3.



5-5295(F)

Figure 3. SFEBE Location

The values for SFEBE are summarized in Table 12.

Table 12. SFEBE Values

Section or Line FEBE	Number of B2 Bit Errors in the Receive Signal
00000000	0 (no errors)
00000001	1
00000010	2
...	...
00010111	23
00011000	24
00011001	No errors
...	
11111110	
11111111 (SDH) 00000000 (SONET)	Section FEBE not supported (no errors)

Maintenance Functions (continued)

Transmit Functions (continued)

Path - Trace Byte (J1)—AU-4 Mode Only

The device will continuously insert a 64-byte sequence (**TJ1DINS[64—1][7:0]**, **0x80—0xBF**) into the outgoing STM-1 (AU-4) signal when the **TJ1INS** signal is active; otherwise, all zeros will be inserted into this byte.

Path - Signal Label Byte (C2)—AU-4 Mode Only

The device will allow data to be inserted into the outgoing C2 byte under software control (**TC2DINS[7:0]**, **0x46**).

Path - G1 Status Byte (PFEBE (REICNT))—AU-4 Mode Only

The G1 byte contains the PFEBE (B3 errors) as shown in Table 13.

Table 13. G1 Byte—AU-4 Mode Only

MSB (7)	6	5	4	3	2	1	LSB (0)
PFEBE[3:0] Valid values (0 to 8) all others indicate no errors				RDI-P	111 (SDH) or 000 (SONET)		

The device will insert PFEBE in the transmitted G1 byte whenever there are bit errors in the received B3 byte. This function can be inhibited (**TPFEBEINH**, **0x3E**) and the default value inserted, either all ones (SDH) or all zeros (SONET). The device can insert a continuous error into the G1 PFEBE[3:0] byte under user control (**TPFEBEEINS**, **0x4D**).

The values for PFEBE are summarized in Table 14.

Table 14. PFEBE Values

Section or Line FEBE	Number of B3 Bit Errors in the Receive Signal
0000	0 (no errors)
0001	1
0010	2
...	...
0111	7
1000	8
1001	No errors
...	
1111	

Maintenance Functions (continued)

Transmit Functions (continued)

Path - G1 Status Byte (RDI-P)—AU-4 Mode Only

The G1 byte contains the RDI-P bit as shown in Table 13.

Path RDI is inserted automatically under hardware control. Each failure contribution can be excluded from the generation equation by setting the appropriate inhibit bit.

TPRDIINT = ((**RILOC** AND **TRILOC_PrdIINH**), **0x4B**, OR
(**RHSLOS** AND **TRHSLOS_PrdIINH**), **0x4B**, OR
(**RHSOOF** AND **TRHSOOF_PrdIINH**), **0x4B**, OR
(**RHSLOF** AND **TRHSLOF_PrdIINH**), **0x4B**, OR
(**RLAISMON** AND **TRLAISMON_PrdIINH**), **0x4B**, OR
(**RPAIS1** AND **TRPAIS1_PrdIINH**), **0x4B**, OR
(**RLOP1** AND **TRLOP1_PrdIINH**), **0x4B**, OR
TPRDIINS (software insert));

(See 0x1A, 0x1B, 0x4B.)

PRDI can be forced, via microprocessor control, by setting **TPRDIINS** to a logic 1.

Path - User Channel Byte (F2)—AU-4 Mode Only

Via microprocessor control of the (**TF2DINS[7:0]**, **0x47**), data information may be inserted into the outgoing F2 byte.

Path - Growth Byte (Z3)—AU-4 Mode Only

Via microprocessor control of the (**TZ3DINS[7:0]**, **0x48**), data information may be inserted into the outgoing Z3 byte.

Path - Tandem Connection Byte (Z5)—AU-4 Mode Only

Via microprocessor control of the (**TZ5DINS[7:0]**, **0x49**), data information may be inserted into the outgoing Z5 byte.

Pseudorandom Test Pattern Insert—AU-4 Mode Only

A pseudorandom test sequence can be inserted into any selected (**TSTGEN_PSEL[1:0]**, **0x4E**) TUG-3 within the AU-4 signal. The pattern can be selected from the following two equations: $Q23 + Q17 + 1$ or $Q15 + Q14 + 1$ (**TPAT23or15**, **0x4E**). A one shot is provided to inject eight (8) errors into the selected pseudorandom sequence (**TSTGENE8INS**, **0x04**). A value of zero in the **TSTGEN_PSEL[1:0]** register disables this function.

Maintenance Functions (continued)

Transmit Functions (continued)

Output Offset

The device will output the STS-3/STM-1 (AU-4) frame a programmable number of clock cycles from the input frame sync. These registers allow movement of the output frame with a granularity of one high-speed clock cycle. The values programmed in (**TLBITCNT[2:0]**, **TLSTS1CNT[1:0]**, **TLCOLCNT[6:0]**, **TLROWCNT[3:0]**, **0x53**, **0x54**) must be within the valid ranges for the mode selected (see Table 15). See Table 56 on page 77 for more details.

Table 15. Value Offset Load Values

Mode	TLBITCNT[2:0]	TLSTS1CNT[1:0]	TLCOLCNT[6:0]	TLROWCNT[3:0]
BIT	0—7	0—2	0—89	0—8
NIBBLE	0—1	0—2	0—89	0—8
BYTE	0	0—2	0—89	0—8

Transmit Transport Overhead Access Channel (TTOAC)

A transport overhead access channel (TOAC) is provided on-chip to provision the TOH portion of the outgoing SDH or SONET frame. The TOAC consists of the following signals:

- A 5.184 MHz clock signal, sourced by the device (**TTOACCLKO**, **TTOAC_CLKINV**).
- A 5.184 Mbits/s data signal received by the device in the transmit direction (**TTOACDATAI**).
- An 8 kHz synchronization signal (**TTOACSYNCO**), sourced by the device. The sync signal is normally low; during the last clock period of each frame coincident with the least significant bit of the eighty-first byte or during the first clock period of each frame coincident with the most significant bit of the first byte, the sync signal is high (**TTOACSA1orEND**, **0x4F**).

An inhibit signal is provided through the control interface to place the clock and sync signals in a high-impedance state (**TTOACINH**, **0x4F**).

The data signal is partitioned into frames of 81 bytes. The frame repetition rate is 8 kHz. Each byte consists of 8 bits that are received most significant bit first. The MSB of the first byte of each frame contains an odd/even parity bit over the 648 bits of the previous frame. The remaining 7 bits of this byte are not specified.

Bytes shown in Table 16 summarize the access capabilities of the transmit TOAC. Bytes indicated in bold type are not specified in the standard, but are labeled here for clarity. X symbols indicate don't cares.

Table 16. Transport Overhead Byte Access—Transmit Direction

OH Pty	X	X	X	X	X	X	X	X
X	B1-2	B1-3	E1	E1-2	E1-3	F1	F1-2	F1-3
D1	D1-2	D1-3	D2	D2-2	D2-3	D3	D3-2	D3-3
X	X	X	X	X	X	X	X	X
X	X	X	X	K1-2	K1-3	X	K2-2	K2-3
D4	D4-2	D4-3	D5	D5-2	D5-3	D6	D6-2	D6-3
D7	D7-2	D7-3	D8	D8-2	D8-3	D9	D9-2	D9-3
D10	D10-2	D10-3	D11	D11-2	D11-3	D12	D12-2	D12-3
S1	Z1-2	Z1-3	Z2	Z2-2	X	E2	E2-2	E2-3

Maintenance Functions (continued)

Transmit Functions (continued)

OH Parity

An event indication is provided at the control interface if an overhead parity error occurs. Odd/even parity is checked (TTOAC_OEPMON, TTOAC_PERRM, TTOAC_PERRE, 0x4F, 0x10, 0x07).

D1—D3, D4—D12, E1, E2, F1, Z1, Z2 Overhead Bytes

Table 17 summarizes the insertion options for the specified overhead bytes. The device allows (1) the default value for unused SDH or SONET bytes to be inserted, or (2) the transmit TOAC values to be inserted, or (3) the received STS-1/AU-3 value to be inserted into the outgoing STS-3 frame.

Table 17. TTOAC Control Bits

Overhead Bytes	Control Bits ¹	Values		
		00 (Default) or 11	01	10
D1—D3	TTOAC_D1TO3[1:0]	SDH (1s) or SONET (0s) Default Values	TTOAC Data	Pass Through Associated STS-1/AU-3 Data
D4—D12	TTOAC_D4TO12[1:0]			
E1	TTOAC_E1[1:0]			
E2	TTOAC_E2[1:0]			
F1	TTOAC_F1[1:0]			
S1, Z1-2, Z1-3	TTOAC_Z1[1:0]			
Z2, Z2-2	TTOAC_Z2[1:0]			
B1-2, B1-3	TTOAC_INS[1:0]	SDH (1s) or SONET (0s) Default Values	TTOAC	Pass Through Associated STS-1/AU-3 Data
E1-2, E1-3				
F1-2, F1-3				
D1-2, 3 to D3-2, 3				
K1-2, K1-3				
K2-2, K2-3				
D4-2, 3 to D12-2, 3				
E2-2, E2-3				

1. See Address 0x50, 0x51 for control bits.

Maintenance Functions (continued)

Receive Functions

A number of the receive maintenance functions require a continuous N times detection (CNTD) of a signal to change an alarm status. All of these continuous N times detect signals require not only that the monitored signal be consistent for N consecutive frames, but also that the frame bytes, A1 and A2, be error free for all N frames before the status can be updated. If there are any errors in the framing pattern, then the consecutive N times detection counters must be reset to 0. N can range from 3 to 15. There is also a signal (**CNTDB1SEL, 0x5F**) that will cause these continuous N times detection counters to be reset to 0 if there are any errors in the received B1 byte.

Continuous N Times Detect B1 Error Reset Enable

The following CNTD monitors are affected by this control bit (**CNTDB1SEL**):

1. AIS-L (K2[2:0] = 111)
2. RDI-L (K2[2:0] = 110)
3. K2MON (K2[2:0])
4. APSMON (K1[7:0], K02[7:3])

Receive Loss of Clock

The device will detect a receive loss-of-clock (**RILOC, 0x1B**) condition for the clock input and notify the control system of any changes to this condition (**RILOCD, 0x0A**, and **RILOCM, 0x13**).

Insertion of Line AIS (Automatic/Manual)

The device will write Line AIS into each STS-1/AU-3 output signal if either the appropriate alarms occur or the software insert bit is active.

$$\text{LAIS_COMMON} = ((\text{RILOC AND } \overline{\text{RRILOC_AISINH}}) \text{ OR } (\text{RRHSOOF AND } \overline{\text{RHSOOF_AISINH}}) \text{ OR } (\text{RHSLOF AND } \overline{\text{RRHSLOF_AISINH}}) \text{ OR } (\text{RHSLOS AND } \overline{\text{RRHSLOS_AISINH}}) \text{ OR } (\text{LAISMON AND } \overline{\text{RRLAISMON_AISINH}}));$$

(See 0x1B, 0x58.)

If (**RLAISINS[3—1]** = 1 OR LAIS_COMMON = 1), then insert Line AIS on the selected output.

When a **RILOC** condition exists, the transmit clock is used to generate the Line AIS signal downstream, if possible.

Insertion of Path AIS (Automatic)

The device will write Path AIS into each STS-1/AU-3 output signal if the appropriate alarms occur.

$$\text{PAIS_COMMON}[3—1] = ((\text{PAIS}[3—1] \text{ OR } \text{LOP}[3—1]) \text{ AND } \overline{\text{PAISLOP_AISINH}})$$

If (PAIS_COMMON[3—1] = 1), then insert Path AIS on the appropriate output. (PAIS consists of writing all ones into the H1, H2, H3 bytes, and into the entire payload.)

B1 BIP-8 Parity

The device will perform B1 (BIP-8) calculation and error checking in the receive path. The device will allow access to the B1 errored bit/block (one block is equal to one frame) count (**BITBLOCKCNT, 0x34**, **RHSB1ECNT[15:0]**, **0x8D-0x8E**). This counter will update when **LATCH_CNT** transitions from a logic 0 to a logic 1.

Maintenance Functions (continued)

Receive Functions (continued)

B2 BIP-24 Parity

The device will perform B2 (BIP-24) calculation and error checking. The device will allow access to the B2 errored bit/block (one block is equal to one frame) count (**BITBLOCKCNT**, **0x34**, **RHSB2ECNT[16:0]**, **Page 1 - 0x8F—0x91**). This counter will update when **LATCH_CNT**, **0x04** transitions from a logic 0 to a logic 1.

Signal Degrade BER Algorithm

A signal degrade state and change of state indication will be provided to the control interface (**RHSSD**, **RHSSDD**, **RHSSDM**, **0x1B**, **0x0A**, **0x13**). This bit error rate algorithm can operate on either B1 or B2 errors (**SDB1B2SEL**, **0x83**). Signal degrade is declared when **SDLSet[3:0]**, **Page 2 - 0x83** or more bit errors in **SDNsSet[18:0]**, **Page 2 - 0x8E—0x90** and frames occur **SDMSet[7:0]**, **Page 2 - 0x84** times out of **SDBSet[11:0]**, **Page 2 - 0x85—0x86** blocks (one block is equal to one measurement period of **SDNsSet[18:0]** frames), and it is removed when less than **SDLClear[3:0]**, **Page 2 - 0x8A** bit errors in **SDNsClear[18:0]**, **Page 2 - 0x87—0x89** frames occur **SDM-Clear[7:0]**, **Page 2 - 0x8B** times out of **SDBCclear[11:0]**, **Page 2 - 0x8C—0x8D** blocks.

The above algorithm can detect bit error rates from 1×10^{-3} to 1×10^{-9} .

Signal Fail BER Algorithm

A signal fail state and change of state indication will be provided to the control interface (**RHSSF**, **RHSSFD**, **RHSSFM**, **0x1B**, **0x0A**, **0x13**). This bit error rate algorithm can operate on either B1 or B2 errors (**SFB1B2SEL**, **Page 2 - 0x91**). Signal fail is declared when **SFLSet[3:0]**, **Page 2 - 0x91** or more bit errors in **SFNsSet[18:0]**, **Page 2 - 0x8E—0x90** frames occur **SFMSet[7:0]**, **Page 2 - 0x92** times out of **SFBSet[11:0]**, **Page 2 - 0x93—0x94** blocks (one block is equal to one measurement period of **SFNsSet[18:0]** frames), and it is removed when less than **SFLClear[3:0]**, **Page 2 - 0x98** bit errors in **SFNsClear[18:0]**, **Page 2 - 0x96—0x98** frames occur **SFMClear[7:0]**, **Page 2 - 0x99** times out of **SFBClear[11:0]** **Page 2 - 0x9A—0x9B** blocks.

The above algorithm can detect bit error rates from 1×10^{-3} to 1×10^{-9} .

Section Trace (J0, Z0-2, Z0-3) Byte Monitoring

The device will monitor the section trace bytes (**RJ0MON[7:0]**, **RZ02MON[7:0]**, **RZ03MON[7:0]**, **RCDRLOC**, **0x1E**, **0x1F**, **0x20**, **0x1B**) on the receive input. A new section trace value will be detected after **CNTDJ0Z0[3:0]**, **0x5A** and consecutive consistent occurrences of a new pattern in the section trace overhead bytes. Any changes to these bytes will be reported to the control system (**RJ0Z0MOND**, **RJ0Z0MONM**, **0x0C**, **0x15**).

Fault Location Monitoring (F1MON)

The device will monitor the fault location byte (**RF1MON0[7:0]**, **0x21**) on the receive input. A new fault location state will be detected after **CNTDF1[3:0]**, **0x5A** consecutive consistent occurrences of a new pattern in the F1 overhead byte. The device will also maintain a history of the previous valid F1 byte (**RF1MON1[7:0]**, **0x22**). Any changes to this byte will be reported to the control system (**RF1MOND**, **RF1MONM**, **0x0C**, **0x15**).

Automatic Protection Switch (APS) Monitoring

The device will monitor the K1 byte and the K2 byte (5 MSBs only) on the input side of the device receive path (**RAPSMON[12:0]**, **0x23**, **0x24**). After **CNTDAPS[3:0]**, **0x5B** consecutive consistent occurrences of new K1 and K2 bytes, the device will notify the control system (**RAPSMOND**, **RAPSMONM**, **0x0B**, **0x14**).

Maintenance Functions (continued)**Receive Functions** (continued)**APS Babbling Monitor**

The device will monitor the APS bytes (K1[7:0], K2[7:3]) in the receive direction and report to the control interface (**RAPSBABLEE**, **RAPSBABLEM**, **0x0C**, **0x15**) when the K1 bytes are inconsistent. Inconsistent APS bytes are defined as **CNTDAPFRAME[3:0]**, **0x5C (Default = 12)** successive frames, starting with the last frame containing previously consistent code, where no **CNTDAPS[3:0]**, **0x5B (Default = 3)** consecutive frames contain identical APS bytes.

Line AIS (AIS-L) Monitoring

The device will monitor line AIS on the receive input (**RLAISMON**, **0x1D**). Line AIS will be detected after **CNTDK2[3:0]**, **0x5B** consecutive occurrences of the AIS-L pattern (xxxxx111) in the K2 overhead byte. Any changes to this byte will be reported to the control system (**RLAISMOND**, **RLAISMONM**, **0x0C**, **0x15**).

Line Remote Defect Indication (RDI-L) Monitoring

The device will monitor an RDI-L condition on the receive input (**RLRDIMON**, **0x1D**). A Line RDI condition will be detected after **CNTDK2[3:0]** consecutive occurrences of the Line RDI pattern (xxxxx110) in the K2 overhead byte. Any changes to this byte will be reported to the control system (**RLRDIMOND**, **RLRDIMONM**, **0x0C**, **0x15**).

K2 Byte Monitoring

The device will monitor the K2 byte (3 LSBs only) on the input side of the receive direction (**RK2MON[2:0]**, **0x23**). After **CNTDK2[3:0]**, **0x5B** consecutive consistent occurrences of new K2 bits, the device will notify the control system (**RK2MOND**, **RK2MONM**, **0x0B**, **0x14**).

Sync Status (S1) Byte Monitoring

The device will monitor the sync trace byte (**RS1MON[7:0]**, **0x25**) on the receive input. A new sync trace value will be detected after **CNTDS1[3:0]**, **0x5C** consecutive consistent occurrences of a new pattern in the overhead bytes. Any changes to this byte will be reported to the control system (**RS1MOND**, **RS1MONM**, **0x0C**, **0x15**).

Section FEBE (M1) Monitoring

The device will monitor a Section FEBE condition (M1) on the receive input. The device will allow access to the Section FEBE errored bit/block (one block is equal to one frame) count (**FEBEBITBLOCKCNT**, **0x34**, **RSFEBECNT[17:0]**, **Page 1 - 0x34**, **0xA4**, **0xA6**). This counter will update when **LATCH_CNT** transitions from a logic 0 to a logic 1.

AU-4 NPI (Null Pointer Indication) Monitoring

The device will monitor the three NPI values in the incoming STM-1(AU-4) signal. When five consecutive mismatches occur (any one of the three NPI values are in error) separated in time by 125 μ s, the device will declare an NPI mismatch condition. An NPI match condition is declared when two consecutive matches occur (all three NPI values match), separated in time by 125 μ s. The delta, mask, and state bits are **RHSNPIMISD**, **RHSNPIMISM**, **RHSNPIMIS**, **0x0D**, **0x16**, **0x1D**, respectively.

Maintenance Functions (continued)

Receive Functions (continued)

STM-1(AU-4) H4 Multibyte Monitor

The device will monitor the path H4 byte for correct multibyte sequence. Each time the expected value mismatches with the received value, an event indication is set. When a mismatch occurs, the device accepts the new value plus 1 as the expected value for the next frame. The event and mask bits are **RHSH4MISE**, **RHSH4MISM**, **0x0D**, **0x16**.

Path Trace Byte (J1) Monitoring

The device will monitor the path trace byte (**RJ1MON[64—1][7:0]**, **0xC0—0xFF**) on the receive input. Only one J1 byte can be monitored (**J1PSELMON[1:0]**, **0x56**) out of the three possible J1 bytes. The device will store a 64-byte sequence and declare a mismatch each time the incoming value does not agree with the stored value (**RJ1MISE**, **RJ1MISM**, **0x0C**, **0x15**).

Path Signal Label (C2) Monitoring

The device will monitor the C2 bytes on the receive input (**RC2MON[3—1][7:0]**, **0x28**, **0x27**, **0x26**). After **CNTDC2[3:0]**, **0x5D** consecutive consistent occurrences of a new C2 byte, the device will notify the control system (**RC2MOND[3—1]**, **RC2MONM[3—1]**, **0x0D**, **0x16**).

Path FEBE (G1) Byte Error Count

The device will monitor for a path FEBE condition (G1[7:4]) on the input signal. The device will allow access to the path FEBE errored bit/block (one block is equal to one frame) count (**FEBE BITBLOCKCNT**, **RPFEBCNT[3—1][15:0]**, **0x34**, **0xA7—0xAC**). These counters will update when **LATCH_CNT**, **0x04** transitions from a logic 0 to a logic 1.

Path RDI (Path Yellow (G1[3] or Enhanced Failure Code (G1[3:1])))

The device will monitor the G1 bytes for path yellow condition or for an enhanced failure code (**RRDI_MPYorEFC**, **0x55**) on the receive input (**RRDIP[3—1][2:0]**, **0x32**, **0x33**). After **CNTDG1[3:0]**, **0x5D** consecutive consistent occurrences of a new G1 value, the device will notify the control system (**RRDIPE[3—1]**, **RRDIPM[3—1]**, **0x16**).

Path User Channel (F2) Monitoring

The device will monitor the F2 byte (**RF2MON[3—1][7:0]**, **0x29**, **0x2A**, **0x2B**) on the receive input. A new value will be detected after **CNTDF2[3:0]**, **0x5E** consecutive consistent occurrences of a new pattern in the overhead bytes. Any change to this byte will be reported to the control system (**RF2MOND[3—1]**, **RF2MONM[3—1]**, **0x0E**, **0x17**).

Path Growth Byte (Z3) Monitoring

The device will monitor the Z3 bytes (**RZ3MON[3—1][7:0]**, **0x2C**, **0x2D**, **0x2E**) on the receive input. A new value will be detected after **CNTDZ3[3:0]**, **0x5E** consecutive consistent occurrences of a new pattern in the overhead bytes. Any change to this byte will be reported to the control system (**RZ3MOND[3—1]**, **RZ3MONM[3—1]**, **0x0E**, **0x17**).

Path Tandem Connection Byte (Z5) Monitoring

The device will monitor the Z5 bytes (**RZ5MON[3—1][7:0]**, **0x31**, **0x30**, **0x2F**) on the receive input. A new value will be detected after **CNTDZ5[3:0]**, **0x5F** consecutive consistent occurrences of a new pattern in the overhead bytes. Any change to this byte will be reported to the control system (**RZ5MOND[3—1]**, **RZ5MONM[3—1]**, **0x0F**, **0x18**).

Maintenance Functions (continued)

Receive Functions (continued)

Test Pattern Drop (AU-4 Mode Only)

The device will monitor a pseudorandom pattern (**RPAT23or15, 0x60**) on a per TUG-3 basis (**RTSTDRP_PSEL[1:0], 0x60**). The drop logic will provide an out-of-sync indication (**RTSTDRP_OOS, 0x60**) and an error count (**RTSTDRP_ECNT[7:0], 0x61**). This counter will hold at its maximum value and is not affected by the **LATCH_CNT, 0x04** signal. The detector will transition to the in-sync-state after 32 consecutive matches occur. The detector will transition from the in-sync-state to the out-of-sync state if 32 consecutive errors are detected.

STS-1/AU-3 Byte Error Insert or Overwrite Control

This section summarizes the output error and overwrite capabilities on a per STS1/AU-3 basis. All path overhead bytes pass through from the input signal.

Table 18. STS-1/AU-3 Overhead Control

Control Signal per STS-1/ AU-3 Signal	Bytes Affected/ Action	Action
RA1A2ERREN, RA1A2ERRPEN[3—1], RA1A2ERRINS[4:0] (0x05, 0x62)	A1, A2 Error Insert	If (RA1A2ERREN = 0 → 1) then insert RA1A2ERRINS[4:0] consecutive frame errors on the selected ports (RA1A2ERRPEN[3—1]) else insert correct framing pattern.
RC1DINS[3—1][7:0] (0x68, 0x69, 0x6A)	C1	Always insert values.
RB1ERRINS[3—1] (0x63)	B1 Error Insert	1 = insert error, 0 = insert normal value.
R_E1_PASS[3—1] (0x74)	E1	1 = pass input data, 0 = insert default value.
RF1INS[3—1] RF1DINS[3—1][7:0], R_F1_PASS[3—1] (0x64, 0x6B—0x6D, 0x74)	F1 Software or Pass	If (RF1INS = 1) then insert software value (RF1DINS) else if (R_F1_PASS = 1) then pass input data else set byte to the default value.
R_D1TOD3_PASS[3—1] (0x75)	D1 to D3	1 = pass input data, 0 = insert default value.
RH1H2CRUPEN[3—1], RH1H2CRUPP or NDF (0x64)	H1, H2 Error Insert	If (RH1H2CRUPP or NDF = 0 AND RH1H2CRUPEN = 1) then continuously corrupt the pointer value else if (RH1H2CRUPP or NDF = 1 AND RH1H2CRUPEN = 1) then continuously send NDF (1001) pattern else pass input data.
RB2ERRINS[3—1] (0x63)	B2 Error Insert	1 = insert error, 0 = insert normal value.
RAPSBABLEINS[3—1], RAPSINS[3—1][12:0] (0x66, 0x6E—0x73)	K1, K2[7:3] Error or Software	If (RAPSBABLEINS = 1) then continuously insert a nonconsistent K1K2 value else insert software value RAPSINS .

Maintenance Functions (continued)

Receive Functions (continued)

Table 18. STS-1/AU-3 Overhead Control (continued)

Control Signal per STS-1/ AU-3 Signal	Bytes Affected/ Action	Action
RLRDIINT[3—1] RTILOC_LRDIINH, RTLSLOF_LRDIINH[3—1], RTLSOOF_LRDIINH[3—1], RK2DINS[3—1][2:0] (0x1D, 0x67, 0x6E, 0x70, 0x72)	K2[2:0] Automatic/ Software	RLRDIINT[3—1] = (TILOC AND $\overline{\text{TILOC_LRDIINH}}$) OR (RTLSLOF[3—1] AND $\overline{\text{RTLSLOF_LRDIINH[3—1]}}$) OR (RTLSOOF[3—1] AND $\overline{\text{RTLSOOF_LRDIINH[3—1]}}$); ¹ If (all associated inhibit signals are active) then insert software value RK2DINS[3—1][2:0] else insert 110 pattern when RLRDIINT[3—1] is active else insert 000 pattern.
R_D4TOD12_PASS[3—1] (0x75)	D4 to D12	1 = pass input data, 0 = insert default value.
R_S1_PASS[3—1] (0x76)	S1	1 = pass input data, 0 = insert default value.
RSFEBEINH[3—1] RSFEBEERRINS[3—1] (0x65)	M0 Automatic or Error Insert	If (RSFEBEINH = 1) then inhibit the insertion of B2 errors and set the byte to the default value else if (RSFEBEERRINS = 1) then insert an error into the output byte else output B2 errors per frame from the associated transmit input.
R_E2_PASS[3—1] (0x76)	E2	1 = pass input data, 0 = insert default value.

1. Software enable when all hardware inhibit signals are 1.

Maintenance Functions (continued)

Receive Functions (continued)

Receive Transport Overhead Access Channel (RTOAC)

A TOAC is provided on-chip to drop the TOH portion of the incoming SDH or SONET frame. The TOAC channel consists of the following signals:

1. 5.184 MHz clock signal, sourced by the device (**RTOACCLKO, RTOAC_CLKINV**).
2. A 5.184 Mb/s data signal, sourced by the device (**RTOACDATAO**).
3. An 8 kHz synchronization signal, sourced by the device. The sync signal is normally low; during the last clock period of each frame coincident with the least significant bit of the eighty-first byte or coincident with the least significant bit of the first byte, the sync signal can go high (**RTOACSA1orEND, 0x4F**).

An inhibit signal is provided through the control interface to place the clock, data, and sync signal into a high-impedance state (**RTOACINH, 0x4F**).

The data signal is partitioned into frames of 81 bytes. The frame repetition rate is 8 kHz. Each byte consists of 8 bits that are transmitted/received most significant bit first. The MSB of the first byte of each frame contains an odd/even parity bit over the 648 bits of the previous frame. The remaining 7 bits of this byte are not specified.

Bytes shown in Table 19 summarize the access capabilities of the receive TOAC. Bytes indicated in bold type are not specified in the standard, but are labeled here for clarity.

Table 19. Transport Overhead Byte Access—Receive Direction

OH Pty	A1-2	A1-3	A2-1	A2-2	A2-3	J0	Z0-2	Z0-3
B1	B1-2	B1-3	E1	E1-2	E1-3	F1	F1-2	F1-3
D1	D1-2	D1-3	D2	D2-2	D2-3	D3	D3-2	D3-3
H1-1	H1-2	H1-3	H2	H2-2	H2-3	H3	H3-2	H3-3
B2-1	B2-2	B2-3	K1	K1-2	K1-3	K2	K2-2	K2-3
D4	D4-2	D4-3	D5	D5-2	D5-3	D6	D6-2	D6-3
D7	D7-2	D7-3	D8	D8-2	D8-3	D9	D9-2	D9-3
D10	D10-2	D10-3	D11	D11-2	D11-3	D12	D12-2	D12-3
S1	Z1-2	Z1-3	Z2-1	Z2-2	M1	E2	E2-2	E2-3

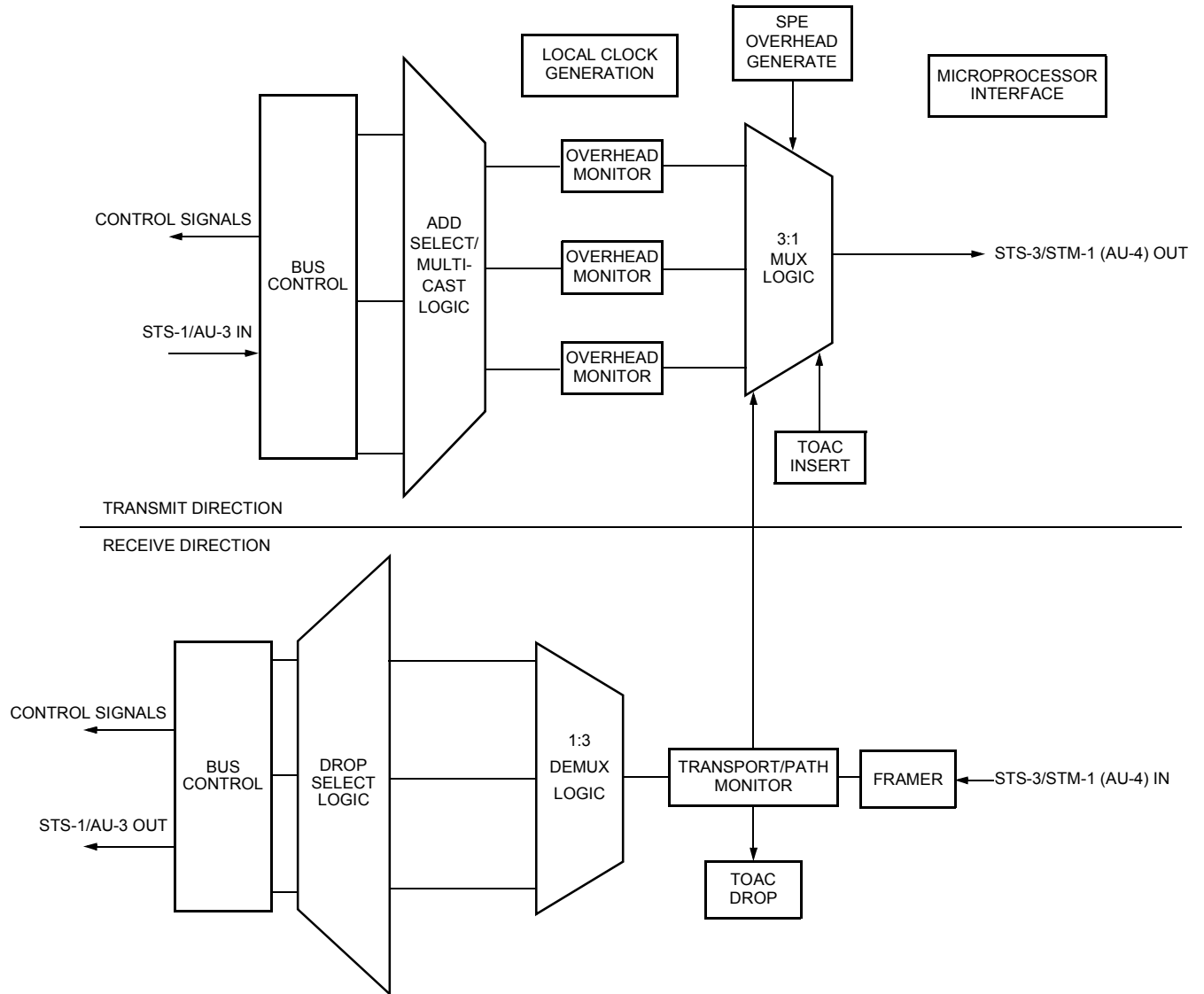
OH Parity

Even or odd parity can be inserted into the first bit of the MSB byte (**RTOAC_OEPINS, 0x4F**) of the TOAC outgoing frame.

Typical Uses

Section and Line Termination Multiplex

Using the device without internal loopbacks results in a multiplex/demultiplex operation.



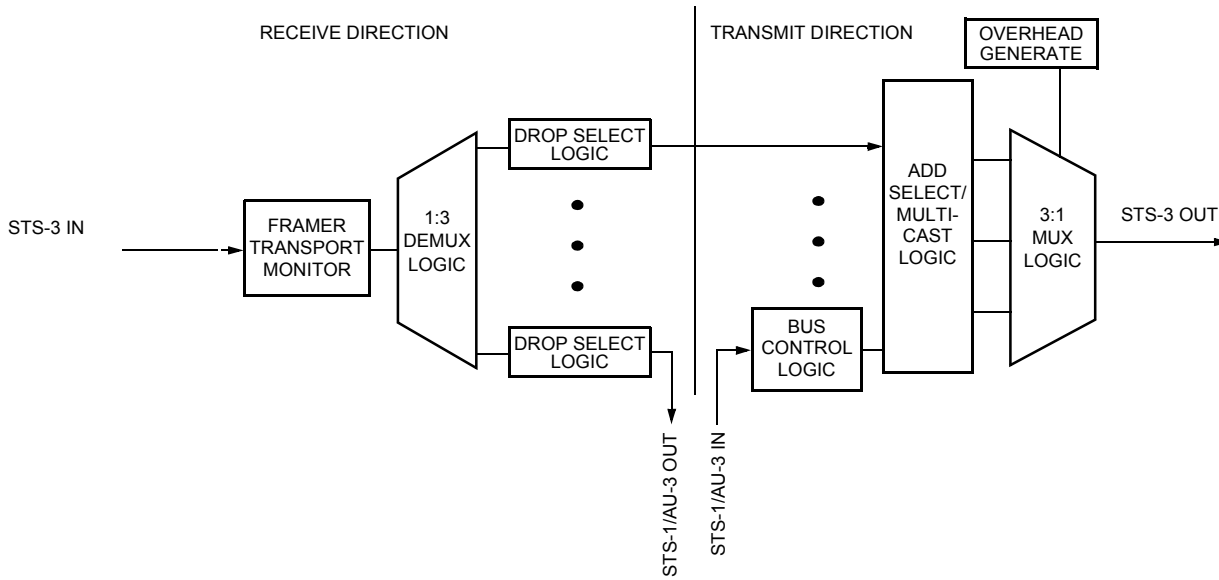
5-5296 (F)

Figure 4. Line Termination Multiplex

Typical Uses (continued)

Add/Drop Multiplex

Using the device with STS-1/AU-3 internal loopbacks results in an add/drop multiplex.

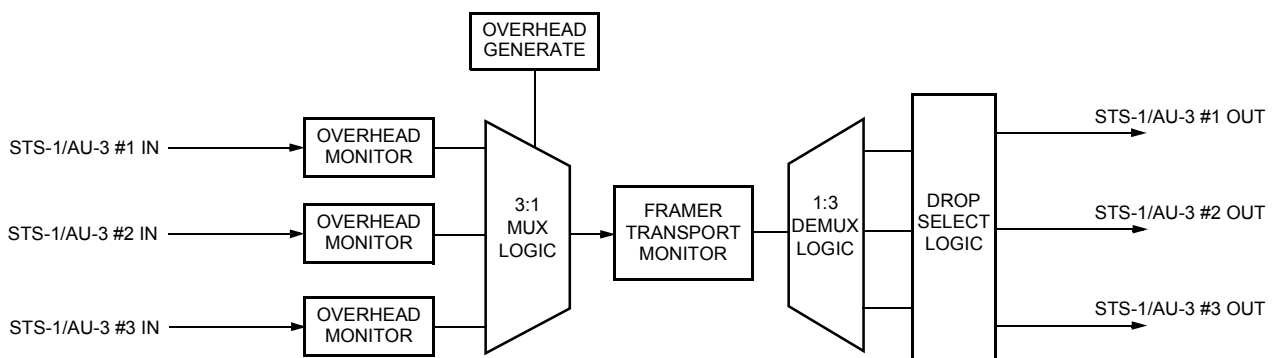


5-5297 (F)

Figure 5. Add/Drop Multiplex

Digital Cross Connect

Using the device with STS-3 internal loopback results in a digital cross connect.



5-5298 (F)

Figure 6. Digital Cross Connect

Microprocessor Interface

Overview

The device is equipped with an asynchronous microprocessor interface that can operate with most commercially available microprocessors. Inputs MPMUX and MPMODE are used to configure this interface into one of four possible modes. The MPMUX setting selects either a multiplexed 8-bit address/data bus (AD[7:0]) or a demultiplexed 8-bit address bus (A[7:0]) and an 8-bit data bus (AD[7:0]). The MPMODE setting selects the associated set of registers within the device.

Due to device flexibility, there are no default powerup or reset states. All read/write registers must be written by the microprocessor on system start-up to guarantee proper device functionality. The microprocessor interface can operate at speeds up to 32.768 MHz in interrupt-driven or polled modes without requiring any wait-states.

Microprocessor Configuration Modes

Table 20 highlights the four microprocessor modes controlled by the MPMUX and MPMODE inputs.

Table 20. Microprocessor Configuration Modes

Mode	MPMODE	MPMUX	Address/Data Bus	Generic Control, Data and Output Pin Names
MODE 1	0	0	DeMUXed	\overline{CS} , \overline{AS} , \overline{DS} , R/\overline{W} , A[7:0], AD[7:0], INT, \overline{DTACK}
MODE 2	0	1	MUXed	\overline{CS} , \overline{AS} , \overline{DS} , R/\overline{W} , AD[7:0], INT, \overline{DTACK}
MODE 3*	1	0	DeMUXed	\overline{CS} , ALE, \overline{RD} , \overline{WR} , A[7:0], AD[7:0], INT, RDY
MODE 4	1	1	MUXed	\overline{CS} , ALE, \overline{RD} , \overline{WR} , AD[7:0], INT, RDY

* When the MPMODE3ALE input pin = 0, ALE is not used to retime the incoming address.

Microprocessor Interface Pinout Descriptions

The MODE [1—4] specific pin definitions are given in Table 21. Note that the microprocessor interface uses the same set of pins in all modes.

Table 21. MODE [1—4] Microprocessor Pin Definitions

Configuration	Device Pin Name	Generic Pin Name	Pin Type	Assertion Sense	Function
MODE 1	$\overline{WR_DS}$	\overline{DS}	Input	Active-Low	Data Strobe
	$\overline{RD_R/W}$	R/ \overline{W}	Input	—	Read/Write R/ \overline{W} = 1 for Read R/ \overline{W} = 0 for Write
	ALE_ \overline{AS}	\overline{AS}	Input	—	Address Strobe
	\overline{CS}	\overline{CS}	Input	Active-Low	Chip Select
	INT	INT	Output	Active-High	Interrupt
	$\overline{RDY_DTACK}$	\overline{DTACK}	Output	Active-Low	Data Acknowledge
	AD[7:0]	AD[7:0]	I/O	—	Data Bus
A[7:0]	A[7:0]	Input	—	Address Bus	

Microprocessor Interface (continued)

Microprocessor Interface Pinout Descriptions (continued)

Table 21. MODE [1—4] Microprocessor Pin Definitions (continued)

Configuration	Device Pin Name	Generic Pin Name	Pin Type	Assertion Sense	Function
MODE 2	$\overline{WR_DS}$	\overline{DS}	Input	Active-Low	Data Strobe
	$\overline{RD_R\overline{W}}$	$R\overline{W}$	Input	—	Read/Write $R\overline{W} = 1$ for Read $R\overline{W} = 0$ for Write
	ALE \overline{AS}	\overline{AS}	Input	—	Address Strobe
	\overline{CS}	\overline{CS}	Input	Active-Low	Chip Select
	INT	INT	Output	Active-High	Interrupt
	$\overline{RDY_DTACK}$	\overline{DTACK}	Output	Active-Low	Data Acknowledge
	AD[7:0]	AD[7:0]	I/O	—	Address/Data Bus
MODE 3	$\overline{WR_DS}$	\overline{WR}	Input	Active-Low	Write
	$\overline{RD_R\overline{W}}$	\overline{RD}	Input	—	Read
	ALE \overline{AS}	ALE*	Input	—	Address Latch Enable
	\overline{CS}	\overline{CS}	Input	Active-Low	Chip Select
	INT	INT	Output	Active-High	Interrupt
	$\overline{RDY_DTACK}$	RDY	Output	Active-Low	Ready
	AD[7:0]	AD[7:0]	I/O	—	Data Bus
MODE 4	$\overline{WR_DS}$	\overline{WR}	Input	Active-Low	Write
	$\overline{RD_R\overline{W}}$	\overline{RD}	Input	—	Read
	ALE \overline{AS}	ALE	Input	—	Address Latch Enable
	\overline{CS}	\overline{CS}	Input	Active-Low	Chip Select
	INT	INT	Output	Active-High	Interrupt
	$\overline{RDY_DTACK}$	RDY	Output	Active-Low	Ready
	AD[7:0]	AD[7:0]	I/O	—	Address/Data Bus

* Optional (MPMODE3ALE).

Microprocessor Interface (continued)

Microprocessor Interface Register Architecture

The register bank architecture of the microprocessor interface is shown in Table 22. Addresses referred to in this section are given in decimal, with the hexadecimal representation in parentheses.

Table 22. Device-Level Register Map

Addr D (Hex)	Bit Number—Device (ANSI)*							
	7 (1)	6 (2)	5 (3)	4 (4)	3 (5)	2 (6)	1 (7)	0 (8)
Common Fixed Parameters—Read Only (RO)								
0(00)								INT
1(01)	DEVID[15:8] = 0x31							
2(02)	DEVID[7:0] = 0x55							
3(03)	DEVVER[7:0] = 0x00							
One-Shot (0 to 1 Transition) Control Bit Parameters—Read/Write (R/W)								
4(04)	TA1A2ERREN	TSTGENE8INS	SFCLEAR	SFSET	SDCLEAR	SDSET	RSTCTL	LATCH_CNT
5(05)	RA1A2ERREN							
Controller Scratch Byte—R/W								
6(06)	SCRATCH[7:0]							
Delta and Event Parameters—COR-RO								
7(07)	TILOCFD				TTOAC_PERRE	TLSPARE3	TLSPARE2	TLSPARE1
8(08)			TLSLOFD3	TLSLOFD2	TLSLOFD1	TLSOOFD3	TLSOOFD2	TLSOOFD1
9(09)			TLSH4MISD3	TLSH4MISD2	TLSH4MISD1	TLSPTRMISD3	TLSPTRMISD2	TLSPTRMISD1
10(0A)	RHSPARE	RHSSFD	RHSSDD		RHSLOSD	RHSLOFD	RHSOOFD	RILOCD
11(0B)	RAPSMOND	RK2MOND	RPAISD3	RPAISD2	RPAISD1	RLOPD3	RLOPD2	RLOPD1
12(0C)	RAPSBABLEE	RLRDIMOND	RLAISMOND		RJ1MISE	RS1MOND	RF1MOND	RJ0Z0MOND
13(0D)	RHSNPIMISD	RHSH4MISE	RRDIPD3	RRDIPD2	RRDIPD1	RC2MOND3	RC2MOND2	RC2MOND1
14(0E)			RZ3MOND3	RZ3MOND2	RZ3MOND1	RF2MOND3	RF2MOND2	RF2MOND1
15(0F)						RZ5MOND3	RZ5MOND2	RZ5MOND1
INTN Mask Parameters—R/W								
16(10)	TILOCFM				TTOAC_PERRM	TLSPARM3	TLSPARM2	TLSPARM1
17(11)			TLSLOFM3	TLSLOFM2	TLSLOFM1	TLSOOFM3	TLSOOFM2	TLSOOFM1
18(12)			TLSH4MISM3	TLSH4MISM2	TLSH4MISM1	TLSPTRMISM3	TLSPTRMISM2	TLSPTRMISM1
19(13)	RHSPARM	RHSSFM	RHSSDM		RHSLOSM	RHSLOFM	RHSOOFM	RILOCM
20(14)	RAPSMONM	RK2MONM	RPAISM3	RPAISM2	RPAISM1	RLOPM3	RLOPM2	RLOPM1
21(15)	RAPSBABLEM	RLRDIMONM	RLAISMONM		RJ1MISM	RS1MONM	RF1MONM	RJ0Z0MONM
22(16)	RHSNPIMISM	RHSH4MISM	RRDIPM3	RRDIPM2	RRDIPM1	RC2MONM3	RC2MONM2	RC2MONM1
23(17)			RZ3MONM3	RZ3MONM2	RZ3MONM1	RF2MONM3	RF2MONM2	RF2MONM1
24(18)						RZ5MONM3	RZ5MONM2	RZ5MONM1
State and Value Parameters—RO								
25(19)	TILOC	TILOF	TLSLOF3	TLSLOF2	TLSLOF1	TLSOOF3	TLSOOF2	TLSOOF1
26(1A)	TPRDIINT	TLRDIINT	TLSH4MIS3	TLSH4MIS2	TLSH4MIS1	TLSPTRMIS3	TLSPTRMIS2	TLSPTRMIS1
27(1B)	RCDRLOC	RHSSF	RHSSD	RHSLOSEXTI	RHSLOS	RHSLOF	RHSOOF	RILOC
28(1C)	CONCAT_STATE2[1:0]		RPAIS3	RPAIS2	RPAIS1	RLOP3	RLOP2	RLOP1
29(1D)	RHSNPIMIS	RLRDIMON	RLAISMON	CONCAT_STATE3[1:0]		RLRDIINT3	RLRDIINT2	RLRDIINT1
Receive Monitor Values—RO								
30(1E)	RJ0MON[7:0]							
31(1F)	RZ02MON[7:0]							
32(20)	RZ03MON[7:0]							
33(21)	RF1MON0[7:0]							
34(22)	RF1MON1[7:0]							
35(23)	RAPSMON[12:8]				RK2MON[2:0]			
36(24)	RAPSMON[7:0]							
37(25)	RS1MON[7:0]							
38(26)	RC2MON1[7:0]							
39(27)	RC2MON2[7:0]							
40(28)	RC2MON3[7:0]							
41(29)	RF2MON1[7:0]							
42(2A)	RF2MON2[7:0]							

* Shaded blocks are reserved for future or internal use.

Microprocessor Interface (continued)

Microprocessor Interface Register Architecture (continued)

Table 22. Device-Level Register Map (continued)

Addr D (Hex)	Bit Number—Device (ANSI)*							
	7 (1)	6 (2)	5 (3)	4 (4)	3 (5)	2 (6)	1 (7)	0 (8)
43(2B)	RF2MON3[7:0]							
44(2C)	RZ3MON1[7:0]							
45(2D)	RZ3MON2[7:0]							
46(2E)	RZ3MON3[7:0]							
47(2F)	RZ5MON1[7:0]							
48(30)	RZ5MON2[7:0]							
49(31)	RZ5MON3[7:0]							
50(32)	RRDIP2[2:0]				RRDIP1[2:0]			
51(33)					RRDIP3[2:0]			
Mode Control—R/W								
52(34)	RSONET_SDH	RSTS3_AU4	MODE [1:0] – RO		FEBEBITBLOCKCNT	BITBLOCKCNT	TSOINET_SDH	TSTS3_AU4
Low-Speed Transmit Common Control Signals—R/W								
53(35)					TLSCCLKINV	TLV1DISABLE	TLSVOEPAR	
Transmit Low-Speed Port 1 Input—R/W								
54(36)	TSEL1[2:0]							TLSDSCR1
55(37)	TLS_UNEQUIP1	TLS_LAISINS1			TLSPTRMIS_AISINH1	TLSH4MIS_AISINH1	TLSTLOF_AISINH1	TLSSOOF_AISINH1
Transmit Low-Speed Port 2 Input—R/W								
56(38)	TSEL2[2:0]							TLSDSCR2
57(39)	TLS_UNEQUIP2	TLS_LAISINS2			TLSPTRMIS_AISINH2	TLSH4MIS_AISINH2	TLSTLOF_AISINH2	TLSSOOF_AISINH2
Transmit Low-Speed Port 3 Input—R/W								
58(3A)	TSEL3[2:0]							TLSDSCR3
59(3B)	TLS_UNEQUIP3	TLS_LAISINS3			TLSPTRMIS_AISINH3	TLSH4MIS_AISINH3	TLSTLOF_AISINH3	TLSSOOF_AISINH3
Transmit High-Speed Clock/Port Control—R/W								
60(3C)	THSCLKSEL_DORS	THSPAROEK	THSSA1orEND	THSCLKINV	THSPTYPE[1:0]		THSCLKTYPE[1:0]	
61(3D)	THSSCR	RHS2THSLB			THSCHIZ	THSSHIZ	THSDHIZ	
Transmit High-Speed Control Signals—R/W								
62(3E)	TSS[1:0]				TPFEBEINH	TSFEBEINH	TJ1INS	TS1INS
63(3F)	TJ0DINS[7:0]							
64(40)	TZ02DINS[7:0]							
65(41)	TZ03DINS[7:0]							
66(42)	TF1DINS[7:0]							
67(43)	TAPSINS[12:8]				TK2INS[2:0]			
68(44)	TAPSINS[7:0]							
69(45)	TS1DINS[7:0]							
70(46)	TC2DINS[7:0]							
71(47)	TF2DINS[7:0]							
72(48)	TZ3DINS[7:0]							
73(49)	TZ5DINS[7:0]							
Transmit High-Speed Line RDI Insertion Inhibit Bits—R/W								
74(4A)	TLRDIINH			TRHSSF_LRDIINH	TRLAISMON_LRDIINH	TRHSLOF_LRDIINH	TRHSOOF_LRDIINH	TRHSLOS_LRDIINH
Transmit High-Speed Path RDI Insertion Inhibit Bits—R/W								
75(4B)	TPRDIINS	TRLOP1_PRDIINH	TRPAIS1_PRDIINH	TRLAISMON_PRDIINH	TRHSLOF_PRDIINH	TRHSOOF_PRDIINH	TRHSLOS_PRDIINH	TRILOP1_PRDIINH
Transmit High-Speed Error Insert Control Parameters—R/W								
76(4C)					THSB3ERRINS	THSB2ERRINS[3—1]		THSB1ERRINS
77(4D)	TPFEBEEINS	TSFEBEEINS	TAPSABLEINS		TA1A2ERRINS[4:0]			
78(4E)	TH1H2CRUPEN[3—1]			TH1H2CRUPP0rNDF	TPAT23or15	TSTGEN_PSEL[1:0]		
Receive/Transmit TOAC Control—R/W								
79(4F)	RTOAC_CLKINV	RTOACS_A1orEND	RTOAC_OEPINS	RTOACINH	TTOAC_CLKINV	TTOACSA1orEND	TTOAC_OEPMON	TTOACINH
80(50)	TTOAC_E2[1:0]		TTOAC_E1[1:0]		TTOAC_D4TO12[1:0]		TTOAC_D1TO3[1:0]	
81(51)	TTOAC_INS[1:0]		TTOAC_Z2[1:0]		TTOAC_Z1[1:0]		TTOAC_F1[1:0]	
Transmit High-Speed Output Offset Control—R/W								
82(52)	—	TSTPHASE	UPDOWN	CHOLD	CNTEN	BYPASS	CDR_TSTSHFTLD	CDR_TSTM0DE
83(53)	TLBITCNT[2:0]			TLSTSCNT[1:0]		TLCOLCNT[6:4]		
84(54)	TLCOLCNT[3:0]				TLROWCNT[3:0]			

* Shaded blocks are reserved for future or internal use.

Microprocessor Interface (continued)

Microprocessor Interface Register Architecture (continued)

Table 22. Device-Level Register Map (continued)

Addr D (Hex)	Bit Number—Device (ANSI)*							
	7 (1)	6 (2)	5 (3)	4 (4)	3 (5)	2 (6)	1 (7)	0 (8)
Receive High/Low-Speed Port Control—R/W								
85(55)	THS2RHSLB	RHSDSCR	RCONCATMODE	RRDI_MPYorEFC	RHSVOEPAR	RHSEEDGE	RHSPTYPE[1:0]	
86(56)	J1PSELMON[1:0]		RSEL3[1:0]		RSEL2[1:0]		RSEL1[1:0]	
87(57)	RLSSCR[3—1]			RHSPORCDRSEL	PAISLOP_AISINH	TLS2RSLB	RLSCLKINV	RLSPAROE
88(58)	RRLAISMON_AISINH	RRHSLOS_AISINH	RRHSLOF_AISINH	RRHSOOF_AISINH	RRLOC_AISINH	LOSDTCNT[10:8]		
89(59)	LOSDTCNT[7:0]							
Continuous N Times Detect Values—R/W								
90(5A)	CNTDF1[3:0]				CNTDJ0Z0[3:0]			
91(5B)	CNTDAPS[3:0]				CNTDK2[3:0]			
92(5C)	CNTDAPSFRAME[3:0]				CNTDS1[3:0]			
93(5D)	CNTDG1[3:0]				CNTDC2[3:0]			
94(5E)	CNTDF2[3:0]				CNTDZ3[3:0]			
95(5F)	CNTDB1SEL	RLOCINH	CNTCIP_ICI[1:0]		CNTDZ5[3:0]			
Receive Test Pattern Drop—R/W, RO								
96(60)	RTSTDRP_OOS					RPAT23or15	RTSTDRP_PSEL[1:0]	
97(61)	RTSTDRP_ECNT[7:0]							
Receive Low-Speed Output Overhead Control—R/W								
98(62)	RA1A2ERRPEN[3—1]				RA1A2ERRINS[4:0]			
99(63)			RB2ERRINS[3—1]			RB1ERRINS[3—1]		
100(64)		RH1H2CRUPP or NDF	RH1H2CRUPEN[3—1]			RF1INS[3—1]		
101(65)			RSFEBEERRINS[3—1]			RSFEBEINH[3—1]		
102(66)			RLAISINS[3—1]			RAPSABLEINS[3—1]		
103(67)		RTLLOC_LRDINH	RTLLOF_LRDINH[3—1]			RTLLOOF_LRDINH[3—1]		
104(68)	RC1DINS1[7:0]							
105(69)	RC1DINS2[7:0]							
106(6A)	RC1DINS3[7:0]							
107(6B)	RF1DINS1[7:0]							
108(6C)	RF1DINS2[7:0]							
109(6D)	RF1DINS3[7:0]							
110(6E)	RAPSINS1[12:8]				RK2DINS1[2:0]			
111(6F)	RAPSINS1[7:0]				RK2DINS2[2:0]			
112(70)	RAPSINS2[12:8]				RK2DINS2[2:0]			
113(71)	RAPSINS2[7:0]				RK2DINS3[2:0]			
114(72)	RAPSINS3[12:8]				RK2DINS3[2:0]			
115(73)	RAPSINS3[7:0]							
116(74)	R_OVH_PASS	R_Z2_PASS	R_F1_PASS[3—1]			R_E1_PASS[3—1]		
117(75)	R_Z1_PASS[3—2]		R_D4TOD12_PASS[3—1]			R_D1TOD3_PASS[3—1]		
118(76)			R_E2_PASS[3—1]			R_S1_PASS[3—1]		
119(77)— 126(7E)								
127(7F)	PAGE[1:0]							

* Shaded blocks are reserved for future or internal use.

Table 23. Page 0—J1 Byte Insert and Monitor

Addr D (Hex)	Bit Number—Device (ANSI)							
	7 (1)	6 (2)	5 (3)	4 (4)	3 (5)	2 (6)	1 (7)	0 (8)
J1 Byte Transmit Insert—64 Bytes—R/W								
128 (80)— 191 (BF)	TJ1DINS[64—1][7:0]							
J1 Byte Receive Monitor—64 Bytes—RO								
192 (C0)—255 (FF)	RJ1MON[64—1][7:0]							

Microprocessor Interface (continued)

Microprocessor Interface Register Architecture (continued)

Table 24. Page 1—Error Counters

Addr D (Hex)	Bit Number—Device (ANSI)*							
	7 (1)	6 (2)	5 (3)	4 (4)	3 (5)	2 (6)	1 (7)	0 (8)
Transmit Low-Speed B1 and B2 Error Counts—RO								
128(80)								TLSB1ECNT1[15:8]
129(81)								TLSB1ECNT1[7:0]
130(82)								TLSB1ECNT2[15:8]
131(83)								TLSB1ECNT2[7:0]
132(84)								TLSB1ECNT3[15:8]
133(85)								TLSB1ECNT3[7:0]
134(86)								TLSB2ECNT1[17:16]
135(87)								TLSB2ECNT1[15:8]
136(88)								TLSB2ECNT1[7:0]
137(89)								TLSB2ECNT2[15:8]
138(8A)								TLSB2ECNT2[7:0]
139(8B)								TLSB2ECNT3[15:8]
140(8C)								TLSB2ECNT3[7:0]
Receive High-Speed B1, B2, and B3 Error Counts—RO								
141(8D)								RHSB1ECNT[15:8]
142(8E)								RHSB1ECNT[7:0]
143(8F)								RHSB2ECNT[17:16]
144(90)								RHSB2ECNT[15:8]
145(91)								RHSB2ECNT[7:0]
146(92)								RHSB3ECNT1[15:8]
147(93)								RHSB3ECNT1[7:0]
148(94)								RHSB3ECNT2[15:8]
149(95)								RHSB3ECNT2[7:0]
150(96)								RHSB3ECNT3[15:8]
151(97)								RHSB3ECNT3[7:0]
Receive High-Speed Pointer INCRement and DECrement Counters—RO								
152(98)								RPTR_INC1[10:8]
153(99)								RPTR_INC1[7:0]
154(9A)								RPTR_INC2[10:8]
155(9B)								RPTR_INC2[7:0]
156(9C)								RPTR_INC3[10:8]
157(9D)								RPTR_INC3[7:0]
158(9E)								RPTR_DEC1[10:8]
159(9F)								RPTR_DEC1[7:0]
160(A0)								RPTR_DEC2[10:8]
161(A1)								RPTR_DEC2[7:0]
162(A2)								RPTR_DEC3[10:8]
163(A3)								RPTR_DEC3[7:0]
Receive High-Speed Section/Path FEBC Counts—RO								
164(A4)								RSFEBECNT[17:16]
165(A5)								RSFEBECNT[15:8]
166(A6)								RSFEBECNT[7:0]
167(A7)								RPFEBECNT1[15:8]
168(A8)								RPFEBECNT1[7:0]
169(A9)								RPFEBECNT2[15:8]
170(AA)								RPFEBECNT2[7:0]
171(AB)								RPFEBECNT3[15:8]
172(AC)								RPFEBECNT3[7:0]

* Shaded blocks are reserved for future or internal use.

Microprocessor Interface (continued)

Microprocessor Interface Register Architecture (continued)

Table 25. Page 2—BER Algorithm Parameters

Addr D (Hex)	Bit Number—Device (ANSI)*							
	7 (1)	6 (2)	5 (3)	4 (4)	3 (5)	2 (6)	1 (7)	0 (8)
Signal Degrade Set/Clear Control Registers—R/W								
128(80)								SDNsSet[18:16]
129(81)								SDNsSet[15:8]
130(82)								SDNsSet[7:0]
131(83)	SDB1B2SEL							SDLSet[3:0]
132(84)								SDMSet[7:0]
133(85)								SDBSet[15:8]
134(86)								SDBSet[7:0]
135(87)								SDNsClear[18:16]
136(88)								SDNsClear[15:8]
137(89)								SDNsClear[7:0]
138(8A)								SDLClear[3:0]
139(8B)								SDMClear[7:0]
140(8C)								SDBCclear[15:8]
141(8D)								SDBCclear[7:0]
Signal Fail Set/Clear Control Registers—R/W								
142(8E)								SFNsSet[18:16]
143(8F)								SFNsSet[15:8]
144(90)								SFNsSet[7:0]
145(91)	SFB1B2SEL							SFLSet[3:0]
146(92)								SFMSet[7:0]
147(93)								SFBSet[15:8]
148(94)								SFBSet[7:0]
149(95)								SFNsClear[18:16]
150(96)								SFNsClear[15:8]
151(97)								SFNsClear[7:0]
152(98)								SFLClear[3:0]
153(99)								SFMClear[7:0]
154(9A)								SFBClear[15:8]
155(9B)								SFBClear[7:0]
156(9C)— 255(FF)	Invalid							

* Shaded blocks are reserved for future or internal use.

Microprocessor Interface (continued)

Register Description

This section gives a brief description of each register bit and its functionality. All algorithms are described in the main text of the document or in the maintenance section of the document. The abbreviations after each register indicate if the register is read only (RO), clear-on-read (COR), or read/write (R/W).

Table 26. Register 0 (RO)

Address Dec (Hex)	Bit	Name	Function	Reset Default
0 (0x00)	0	INT	Interrupt. The active-high bit is a copy of the INT pin. This bit is the ORing of all event and delta bits (registers 0x07—0x0F). An event or delta bit contribution can be inhibited from contributing to this bit by setting the appropriate mask bit (see Mask Bit Operation on page 28).	0

Table 27. Registers 1—3 (RO)

Address Dec (Hex)	Bit	Name	Function	Reset Default
1 (0x01)	7—0	DEVID[15:8]	Device ID. Upper device ID byte of the number which uniquely identifies the device.	0x31
2 (0x02)	7—0	DEVID[7:0]	Device ID. Lower device ID byte of the number which uniquely identifies the device.	0x55
3 (0x03)	7—0	DEVVER[7:0]	Device Version Number. Device version register will change each time the device is changed.	0x03

Table 28. Registers 4, 5: One-Shot Register 0 → 1 (R/W)

Address Dec (Hex)	Bit	Name	Function	Reset Default
4 (0x04)	7	TA1A2ERREN	Transmit A1/A2 Error Enable. Inserts framing errors into the output STS-3/STM-1 (AU-4) signal. The number of consecutive errors is controlled by TA1A2ERRINS[4:0], 0x4D.	0
4 (0x04)	6	TSTGENE8INS	Test Generation 8 Error Insert. Inserts eight errors into the pseudorandom signal being inserted into the selected TUG-3 signal.	0
4 (0x04)	5	SFCLEAR	Signal Fail Clear. Allows the signal fail algorithm to be forced into the normal state.	0
4 (0x04)	4	SFSET	Signal Fail Set. Allows the signal fail algorithm to be forced into the failed state.	0
4 (0x04)	3	SDCLEAR	Signal Degrad Clear. Allows the signal degrade algorithm to be forced into the normal state.	0
4 (0x04)	2	SDSET	Signal Degrad Set. Allows the signal degrade algorithm to be forced into the failed state.	0

Microprocessor Interface (continued)

Register Description (continued)

Table 28. Registers 4, 5: One-Shot Register 0 → 1 (R/W) (continued)

Address Dec (Hex)	Bit	Name	Function	Reset Default
4 (0x04)	1	RSTCTL	Reset Control (Software). Resets the device. This reset has the same effect as the external RESET pin. This is a service affecting action. All state machines and registers bits will revert to their default values.	0
4 (0x04)	0	LATCH_CNT	Latch Count. Causes all counters to latch their values and clear their internal counters, except the test drop counter. These counters are large enough to hold at least one second's worth of data.	0
5 (0x05)	7	RA1A2ERREN	Receive A1/A2 Error Enable. Inserts framing errors into the respective output STS-1/AU-3 signal.	0

Table 29. Register 6: Scratch Register (R/W)

Address Dec (Hex)	Bit	Name	Function	Reset Default
6 (0x06)	7—0	SCRATCH [7:0]	Scratch Register. Allows the control system to verify read and write operations to the device without affecting device operation.	0x00

Table 30. Registers 7—15: Delta/Event (COR-RO)

Address Dec (Hex)	Bit	Name	Function	Reset Default
7 (0x07)	7	TILOCFD	Transmit Input Loss of Clock and Frame Delta. Delta bit indicates a change of state for the local clock (TILOC, 0x19) or frame sync (TILOF, 0x19). The delta bit clears when read. Its mask bit is TILOCFM, 0x10. Note: The TILOF state is not supported in version 3 of the device.	0
7 (0x07)	3	TTOAC_PERRE	Transmit Transport Overhead Access Channel (TOAC) Parity Error Event. Event register indicates a parity error was detected on the incoming transmit section overhead access channel. The bit will be cleared when read, but will be set again if the condition persists. Its mask bit is TTOAC_PERRM, 0x10.	0
7 (0x07)	2—0	TLSPARE[3—1]	Transmit Low-Speed Parity Error Event (Input Port Number). Indicates a byte transfer parity error on the respective STS-1/AU-3 input. These bits will clear when read, but will be set again if the condition persists. Their mask bits are TLSPARM[3—1], 0x10.	000

Microprocessor Interface (continued)

Register Map (continued)

Table 30. Registers 7—15: Delta/Event (COR-RO) (continued)

Address Dec (Hex)	Bit	Name	Function	Reset Default
8 (0x08)	5—3	TLSLOFD[3—1]	Transmit Low-Speed Loss-of-Frame Delta. Delta bits indicate a change in state of the loss-of-frame (TLSLOF[3—1], 0x19) monitor on each STS-1/AU-3 input. The associated mask bits are TLSLOFM[3—1], 0x10.	000
8 (0x08)	2—0	TLSOOFD[3—1]	Transmit Low-Speed Out-of-Frame Delta. Delta bits indicate a change in state of the out-of-frame (TLSOOF[3—1], 0x19) monitor on each STS-1/AU-3 input. The associated mask bits are TLSOOFM[3—1], 0x11.	000
9 (0x09)	5—3	TLSH4MISD[3—1]	Transmit Low-Speed H4 Mismatch Delta. Delta bits indicate a change in state of the H4 multiframe pointer mismatch (TLSH4MIS[3—1], 0x1A) monitor on each AU-3 input. The associated mask bits are TLSH4MISM[3—1], 0x12.	000
9 (0x09)	2—0	TLSPTRMISD[3—1]	Transmit Low-Speed Pointer Mismatch Delta. Delta bits indicate a change in state of the pointer value monitor (H1, H2) (TLPTRMIS[3—1], 0x1A) on each AU-3 input. The associated mask bits are TLPTRMISM[3—1], 0x12.	000
10 (0x0A)	7	RHSPARE	Receive High-Speed Parity Error Event. Event bit indicates a parity error was detected on a nibble/byte transfer on the STS-3/STM-1 (AU-4) input. Its mask bit is RHSPARM, 0x13.	0
10 (0x0A)	6	RHSSFD	Receive High-Speed Signal Fail Delta. Receive High-Speed Signal Degrade Delta. Delta bits are set each time the signal fail and signal degrade state values change (RHSSF, 0x1B, RHSSD, 0x1B), respectively. The associated mask bits are RHSSFM, 0x13 and RHSSDM, 0x13.	0
10 (0x0A)	5	RHSSDD		0
10 (0x0A)	3	RHSLOSD	Receive High-Speed Loss-of-Signal Delta. Delta bit indicates a change in state (RHSLOS, RHSLOSEXTI, 0x1B) when a loss of signal is detected. It clears on the incoming STS-3/STM-1 (AU-4) input. The RHSLOSEXTI is an external input from a device pin. RHSLOS is an internal indicator monitoring for a consecutive zero/ones pattern in the unscrambled data input. Its mask bit is RHSLOSM, 0x13.	0

Microprocessor Interface (continued)

Register Map (continued)

Table 30. Registers 7—15: Delta/Event (COR-RO) (continued)

Address Dec (Hex)	Bit	Name	Function	Reset Default
10 (0x0A)	2	RHSLOFD	Receive High-Speed Loss-of-Frame. Delta bit indicates a change in state (RHSLOF), 0x1B when a loss of frame is detected. It clears on the incoming STS-3/STM-1 (AU-4) input. Its mask bit is RHSLOFM, 0x13.	0
10 (0x0A)	1	RHSOOFD	Receive High-Speed Out-of-Frame Delta. Delta bit indicates a change in state (RHSOOF, 0x1B) when an out of frame is detected. It clears on the incoming STS-3/STM-1 (AU-4) input. Its mask bit is RHSOOFM, 0x13.	0
10 (0x0A)	0	RILOCD	Receive Input Loss-of-Clock Delta. Delta bit indicates a change in state (RILOC, 0x1B) of the receive STS-3/STM-1 (AU-4) input clock. Its mask bit is RILOCM, 0x13.	0
11 (0x0B)	7	RAPSMOND	Receive APS (K1, K2 bytes) Monitor Delta. Delta bit indicates a change in state (RAPSMON[12:0], 0x23—24) when a new consistent value is detected (CNTDAPS[3:0], 0x5B) in the incoming K1 and K2[7:3] bits of the input STS-3/STM-1 (AU-4) frame. Its mask bit is RAPSMONM, 0x14.	0
11 (0x0B)	6	RK2MOND	Receive K2 [2:0] Monitor Delta. This feature is not supported in version 3 of the device.	0
11 (0x0B)	5—3	RPAISD[3—1]	Receive Path AIS Delta. Delta bit indicates a change in state (RPAIS[3—1], 0x1C) when the pointer state machines declare Path AIS (all ones in the H1 and H2 bytes) on the receive STS-3/STM-1 (AU-4) signal. Its mask bit is RPAISM[3—1], 0x14. Only port 1 information is valid in AU-4 mode.	000
11 (0x0B)	2—0	RLOPD[3—1]	Receive Loss-of-Pointer Delta. Delta bit indicates a change in state (RLOP[3—1], 0x1C) when the pointer state machines declare loss of pointer on the receive STS-3/STM-1 (AU-4) signal. Its mask bit is RLOPM[3—1], 0x14. Only port 1 information is valid in AU-4 mode.	000

Microprocessor Interface (continued)

Register Map (continued)

Table 30. Registers 7—15: Delta/Event (COR-RO) (continued)

Address Dec (Hex)	Bit	Name	Function	Reset Default
12 (0x0C)	7	RAPSBABLEE	Receive APS Babble Event. Event bit indicates when an inconsistent APS value has been detected CNTDAPS[3:0], 0x5B times in the incoming CNTDAPFRAME[3:0], 0x5C frames. Its mask bit is RAPSBABLEM, 0x15.	0
12 (0x0C)	6	RLRDIMOND	Receive Line-RDI Monitor Delta. Delta bit indicates a change in state (RLRDIMON, 0x1D) when the pattern 110 is detected/not detected CNTDK2[2:0], 0x1B consecutive times in the incoming STS-3/STM-1 (AU-4) frame. Its mask bit is RLRDIMONM, 0x15.	0
12 (0x0C)	5	RLAISMOND	Receive Line-AIS Monitor Delta. Delta bit indicates a change in state (RLAISMON, 0x10) when the pattern 111 is detected/not detected CNTDK2[2:0], 0x5B consecutive times in the incoming STS-3/STM-1 (AU-4) frame. Its mask bit is RLAISMONM, 0x15.	0
12 (0x0C)	3	RJ1MISE	Receive J1 Mismatch Event. Event bit indicates a change in state in the received J1 64-byte sequence (RJ1MON[64—1][7:0], 0xC0—0xFF). Its mask bit is RJ1MISM, 0x15.	0
12 (0x0C)	2	RS1MOND	Receive S1 (Sync Status) Byte Monitor Delta. Delta bit indicates a change in state (RS1MON[7:0], 0x25) when a consecutive and consistent new value (CNTDS1[3:0], 0x5C) is detected in the incoming S1 byte of the STS-3/STM-1 (AU-4) frame. Its mask bit is RS1MONM, 0x15.	0
12 (0x0C)	1	RF1MOND	Receive F1 Byte Monitor Delta. Delta bit indicates a change in state (RF1MON1[7:0], 0x22, RF1MON0[7:0], 0x21) when a consecutive and consistent new value (CNTDF1[3:0], 0x5A) is detected in the incoming F1 byte of the STS-3/STM-1 (AU-4) frame. State byte RF1MON0[7:0] is the current new value, RF1MON1[7:0] is the previous F1 value. Its mask bit is RF1MONM, 0x15.	0

Microprocessor Interface (continued)

Register Map (continued)

Table 30. Registers 7—15: Delta/Event (COR-RO) (continued)

Address Dec (Hex)	Bit	Name	Function	Reset Default
12 (0x0C)	0	RJ0Z0MOND	Receive Composite J0, Z0-2, Z0-3 Monitor Delta. Delta bit indicates a change in state (RJ0MON[7:0], 0x1E, RZ02MON[7:0], 0x1F, RZ03MON[7:0], 0x20) when a consecutive and consistent new value (CNTDJ0Z0[3:0], 0x5A) is detected in the incoming J0, Z0-2, Z0-3, bytes of the STS-3/STM-1 (AU-4) frame. Its mask bit is RJ0Z0MONM, 0x15.	0
13 (0x0D)	7	RHSNPIMISD	Receive High-Speed Null Pointer Indicator (NPI) Delta. Delta bit indicates a change in state (RHSNPIMIS, 0x1D): a mismatch is declared when five consecutive mismatches occur separated in time by 125 μ s in the received NPI value, a match is declared when two consecutive valid NPI values (byte 1 = 10011011, byte 2 = 11100000) are received spaced 125 μ s apart in the STM-1 (AU-4) frame. Its mask bit is RHSNPIMISM, 0x16.	0
13 (0x0D)	6	RHSH4MISE	Receive High-Speed H4 Mismatch Event. Event bit indicates when the received H4 value does not agree with the expected value. The sequence 00, 01, 10, and 11 should repeat in consecutive frames. When a mismatch occurs, the device will accept that new value + 1 as the expected value for the next frame. Its mask bit is RHSH4MISM, 0x16.	0
13 (0x0D)	5—3	RRDIPD[3—1]	Receive RDI-P (G1 Byte) Delta. Delta bit indicates a change in state (RRDIP[3—1][2:0], 0x32—0x33) when a consecutive and consistent new value (CNTDG1[3:0], 0x5D) is detected in the incoming G1[3:1] bits of the STS-3/STM-1 (AU-4) frame. Its mask bit is RRDIPM[3—1], 0x16. The device will either monitor G1 bit 3 as a path yellow (RRDI_MPYorEFC = 0) or G1 bits 3 down to 1 as an enhanced failure code (RRDI_MPYorEFC = 1) under software control. Only port 1 information is valid in AU-4 mode.	000

Microprocessor Interface (continued)

Register Map (continued)

Table 30. Registers 7—15: Delta/Event (COR-RO) (continued)

Address Dec (Hex)	Bit	Name	Function	Reset Default
13 (0x0D)	2—0	RC2MOND[3—1]	Receive C2 (Signal Label) Monitor Delta. Delta bit indicates a change in state (RC2MON [3—1][7:0], 0x26—28) when a consecutive and consistent new value (CNTDC2[3:0], 0x5D) is detected in the incoming C2 bytes of the STS-3/STM-1 (AU-4) frame. Its mask bit is RC2MONM[3—1], 0x16. Only port 1 information is valid in AU-4 mode.	000
14 (0x0E)	5—3	RZ3MOND[3—1]	Receive Z3 (Growth) Monitor Delta. Delta bit indicates a change in state (RZ3MON[3—1][7:0], 0x2C—2E) when a consecutive and consistent new value (CNTDZ3[3:0], 0x5E) is detected in the incoming Z3 bytes of the STS-3/STM-1 (AU-4) frame. Its mask bit is RZ3MONM[3—1], 0x17. Only port 1 information is valid in AU-4 mode.	000
14 (0x0E)	2—0	RF2MOND[3—1]	Receive F2 (User Channel) Monitor Delta. Delta bit indicates a change in state (RF2MON[3—1][7:0], 0x29—2B) when a consecutive and consistent new value (CNTDF2[3:0], 0x5E) is detected in the incoming F2 bytes of the STS-3/STM-1 (AU-4) frame. Its mask bit is RF2MONM[3—1], 0x17. Only port 1 information is valid in AU-4 mode.	000
15 (0x0F)	2—0	RZ5MOND[3—1]	Receive Z5 (Tandem Connection) Monitor Delta. Delta bit indicates a change in state (RZ5MON [3—1][7:0], 0x31) when a consecutive and consistent new value (CNTDZ5[3:0], 0x5F) is detected in the incoming Z5 bytes of the STS-3/STM-1 (AU-4) frame. Its mask bit is RZ5MONM[3—1], 0x18. Only port 1 information is valid in AU-4 mode.	000

Table 31. Registers 16—24: Mask Bits (R/W)

Address Dec (Hex)	Bit	Name	Function	Reset Default
16 (0x10)	7	TILOCFM	Transmit Input Loss-of-Clock and Frame Mask. See (addr 0x07) for description.	0
16 (0x10)	3	TTOAC_PERRM	Transmit TOAC Parity Error Mask. See (addr 0x07) for description.	0
16 (0x10)	2—0	TLSPARM[3—1]	Transmit Low-Speed Parity Error Mask. See (addr 0x07) for description.	000

Microprocessor Interface (continued)

Register Map (continued)

Table 31. Registers 16—24: Mask Bits (R/W) (continued)

Address Dec (Hex)	Bit	Name	Function	Reset Default
17 (0x11)	5—3	TLSLOFM[3—1]	Transmit Low-Speed Loss-of-Frame Mask. See (addr 0x08) for description.	000
17 (0x11)	2—0	TLSOOFM[3—1]	Transmit Low-Speed Out-of-Frame Mask. See (addr 0x08) for description.	000
18 (0x12)	5—3	TLSH4MISM[3—1]	Transmit Low-Speed H4 Mismatch Mask. See (addr 0x09) for description.	000
18 (0x12)	2—0	TLSPTRMISM[3—1]	Transmit Low-Speed Pointer Mismatch Mask. See (addr 0x09) for description.	000
19 (0x13)	7	RHSPARM	Receive High-Speed Parity Error Mask. See (addr 0x0A) for description.	0
19 (0x13)	6	RHSSFM	Receive High-Speed Signal Fail Mask. See (addr 0x0A) for description.	0
19 (0x13)	5	RHSSDM	Receive High-Speed Signal Degrade Mask. See (addr 0x0A) for description.	0
19 (0x13)	3	RHSLOSM	Receive High-Speed Loss-of-Signal Mask. See (addr 0x0A) for description.	0
19 (0x13)	2	RHSLOFM	Receive High-Speed Loss-of-Frame Mask. See (addr 0x0A) for description.	0
19 (0x13)	1	RHSOOFM	Receive High-Speed Out-of-Frame Mask. See (addr 0x0A) for description.	0
19 (0x13)	0	RILOCM	Receive Input Loss-of-Clock Mask. See (addr 0x0A) for description.	0
20 (0x14)	7	RAPSMONM	Receive APS Monitor Mask. See (addr 0x0B) for description.	0
20 (0x14)	6	RK2MONM	Receive K2 Monitor Mask. See (addr 0x0B) for description.	0
20 (0x14)	5—3	RPAISM[3—1]	Receive Path AIS Mask. See (addr 0x0B) for description.	000
20 (0x14)	2—0	RLOPM[3—1]	Receive Loss-of-Pointer Mask. See (addr 0x0B) for description.	000
21 (0x15)	7	RAPSBABLEM	Receive APS Babble Mask. See (addr 0x0C) for description.	0
21 (0x15)	6	RLRDIMONM	Receive Line RDI Monitor Mask. See (addr 0x0C) for description.	0
21 (0x15)	5	RLAISMONM	Receive Line AIS Monitor Mask. See (addr 0x0C) for description.	0
21 (0x15)	2	RS1MONM	Receive S1 Monitor Mask. See (addr 0x0C) for description.	0
21 (0x15)	3	RJ1MISM	Receive J1 Mismatch Mask. See (addr 0x0C) for description.	0
21 (0x15)	1	RF1MONM	Receive F1 Monitor Mask. See (addr 0x0C) for description.	0
21 (0x15)	0	RJ0Z0MONM	Receive J0, Z0-2, Z0-3 Monitor Mask. See (addr 0x0C) for description.	0

Microprocessor Interface (continued)

Register Map (continued)

Table 31. Registers 16—24: Mask Bits (R/W) (continued)

Address Dec (Hex)	Bit	Name	Function	Reset Default
22 (0x16)	7	RHSNPIMISM	Receive High-Speed NPI Mismatch Mask. See (addr 0x0D) for description.	0
22 (0x16)	6	RHSH4MISM	Receive High-Speed H4 Mismatch Mask. See (addr 0x0D) for description.	0
22 (0x16)	5—3	RRDIPM[3—1]	Receive RDI-P Mask. See (addr 0x0D) for description.	000
22 (0x16)	2—0	RC2MONM[3—1]	Receive C2 Monitor Mask. See (addr 0x0D) for description.	000
23 (0x17)	5—3	RZ3MONM[3—1]	Receive Z3 Monitor Mask. See (addr 0x0E) for description.	000
23 (0x17)	2—0	RF2MONM[3—1]	Receive F2 Monitor Mask. See (addr 0x0E) for description.	000
24 (0x18)	2—0	RZ5MONM[3—1]	Receive Z5 Monitor Mask. See (addr 0x0F) for description.	000

Table 32. Registers 25—51: State Bits (RO)

Address Dec (Hex)	Bit	Name	Function	Reset Default
25 (0x19)	7	TILOC	Transmit Input Loss-of-Clock (State). See (addr 0x07) for description.	Undefined.
25 (0x19)	6	TILOF	Transmit Input Loss-of-Frame (State). See (addr 0x07) for description. Note: This feature is not supported in version 3 of the device.	Undefined.
25 (0x19)	5—3	TLSLOF[3—1]	Transmit Low-Speed Loss-of-Frame (State). See (addr 0x08) for description.	111
25 (0x19)	2—0	TLSLOOF[3—1]	Transmit Low-Speed Out-of-Frame (State). See (addr 0x08) for description.	111
26 (0x1A)	7	TPRDIINT	Transmit RDI-P Internal (State). State bit indicates when Path RDI is active. (Valid only in AU-4 mode.)	1
26 (0x1A)	6	TLRDIINT	Transmit RDI-L Internal (State). State bit indicates when Line RDI is active.	1
26 (0x1A)	5—3	TLSH4MIS[3—1]	Transmit Low-Speed H4 Mismatch (State). See (addr 0x09) for description.	000
26 (0x1A)	2—0	TLSPTRMIS[3—1]	Transmit Low-Speed Pointer Mismatch (State). See (addr 0x09) for description.	000
27 (0x1B)	7	RCDRLOC	Receive Clock Data Recovery Loss-of-Clock (State). State bit indicates when the internal CDR clock is missing. This is an active-high signal.	Undefined.
27 (0x1B)	6	RHSSF	Receive High-Speed Signal Fail (State). See (addr 0x0A) for description.	1
27 (0x1B)	5	RHSSD	Receive High-Speed Signal Degrade (State). See (addr 0x0A) for description.	1

Microprocessor Interface (continued)

Register Map (continued)

Table 32. Registers 25—51: State Bits (RO) (continued)

Address Dec (Hex)	Bit	Name	Function	Reset Default
27 (0x1B)	4	RHSLOSEXTI	Receive High-Speed Loss-of-Signal (External). See (addr 0x0A) for description.	Input pin value.
27 (0x1B)	3	RHSLOS	Receive High-Speed Loss-of-Signal (State). See (addr 0x0A) for description.	1
27 (0x1B)	2	RHSLOF	Receive High-Speed Loss-of-Frame (State). See (addr 0x0A) for description.	1
27 (0x1B)	1	RHSOOF	Receive High-Speed Out-of-Frame (State). See (addr 0x0A) for description.	1
27 (0x1B)	0	RILOC	Receive Input Loss-of-Clock (State). See (addr 0x0A) for description.	Undefined.
28 (0x1C)	5—3	RPAIS[3—1]	Receive Path AIS (State). See (addr 0x0B) for description.	111
28 (0x1C)	2—0	RLOP[3—1]	Receive Loss-of-Pointer (State). See (addr 0x0B) for description.	111
29 (0x1D)	7	RHSNPIMIS	Receive High-Speed NPI Mismatch (State). See (addr 0x0D) for description.	1
29 (0x1D)	6	RLRDIMON	Receive RDI-L Monitor (State). See (addr 0x0C) for description.	0
28 (0x1C) 29 (0x1D)	7—6 4—3	CONCAT_STATE [2—3][1:0]	Concatenation Pointer State Machine State. State bits indicate the state of the concatenation state machine (LOPC = 10, AISC = 01, CONC = 00). These values only have meaning in the AU-4 mode and the RCONCATMODE bit (addr 0x55) set to the concatenation mode (1).	10
29 (0x1D)	5	RLAISMON	Receive AIS-L Monitor (State). State bit indicates a consistent consecutive K2[2:0] value of 111 has been detected (CNTDK1[3:0]) times.	0
29 (0x1D)	2—0	RLRDIINT[3—1]	Receive RDI-L Internal (State). State bits indicate when Line RDI conditions are active on a per STS-1/AU-3 basis in the device receive path.	111
30 (0x1E)	7—0	RJ0MON[7:0]	Receive J0 Monitor Value. See (addr 0x0C) for description.	0x00
31 (0x1F)	7—0	RZ02MON[7:0]	Receive Z0-2 Monitor Value. See (addr 0x0C) for description.	0x00
32 (0x20)	7—0	RZ03MON[7:0]	Receive Z0-3 Monitor Value. See (addr 0x0C) for description.	0x00
33 (0x21)	7—0	RF1MON0[7:0]	Receive F1 Current Monitor Value. See (addr 0x0C) for description.	0x00
34 (0x22)	7—0	RF1MON1[7:0]	Receive F1 Previous Monitor Value. See (addr 0x0C) for description.	0x00
35 (0x23)	2—0	RK2MON[2:0]	Receive K2 Monitor Value. See (addr 0x0B) for description.	000

Microprocessor Interface (continued)

Register Map (continued)

Table 32. Registers 25—51: State Bits (RO) (continued)

Address Dec (Hex)	Bit	Name	Function	Reset Default
35 (0x23)	7—3	RAPSMON[12:8]	Receive APS Monitor Value. See (addr 0x0B) for description.	0000000
36 (0x24)	7—0	RAPSMON[7:0]		000000
37 (0x25)	7—0	RS1MON[7:0]	Receive S1 Monitor Value. See (addr 0x0C) for description.	0x00
38 (0x26)	7—0	RC2MON[1—3][7:0]	Receive C2 Monitor Path Values. See (addr 0x0D) for description.	0x00
39 (0x27)				
40 (0x28)				
41 (0x29)	7—0	RF2MON[1—3][7:0]	Receive F2 Monitor Path Values. See (addr 0x0E) for description.	0x00
42 (0x2A)				
43 (0x2B)				
44 (0x2C)	7—0	RZ3MON[1—3][7:0]	Receive Z3 Monitor Path Values. See (addr 0x0E) for description.	0x00
45 (0x2D)				
46 (0x2E)				
47 (0x2F)	7—0	RZ5MON[1—3][7:0]	Receive Z5 Monitor Path Values. See (addr 0x0F) for description.	0x00
48 (0x30)				
49 (0x31)				
50 (0x32)	5—3	RRDIP2[2:0]	Receive RDI-P Monitor Path Values (G1 Byte). See (addr 0x0D) for description.	000
50 (0x32)	2—0	RRDIP1[2:0]		
51 (0x33)	2—0	RRDIP3[2:0]		

Table 33. Register 52: Mode Control (R/W)

Address Dec (Hex)	Bit	Name	Function	Reset Default
52 (0x34)	7	RSONET_SDH	Receive SONET or SDH Mode. Control bit, when set to a logic 0, puts the device receive path into the SONET mode; otherwise, the device receive path remains in SDH mode. For STS-1 mode, set both RSONET_SDH and RSTS3_AU4 to a logic 0, and tie the external mode control pins low.	0
52 (0x34)	6	RSTS3_AU4	Receive STS3 or AU4 Mode. Control bit, when set to a logic 0, puts the device receive path into the STS-3 mode (three STS-1 signals multiplexed into an STS-3 signal); otherwise, AU-4 mode (three AU-3 signals multiplexed into an STM-1 (AU-4) signal). For STS-1 mode, set both RSONET_SDH and RSTS3_AU4 to a logic 0, and tie the external mode control pins low.	0
52 (0x34)	5—4	MODE [1:0]	Mode Value from External Pins (RO). Read-only status bits allow monitoring of the external mode control pins.	Must be set to 10.

Microprocessor Interface (continued)

Register Map (continued)

Table 33. Register 52: Mode Control (R/W) (continued)

Address Dec (Hex)	Bit	Name	Function	Reset Default
52 (0x34)	3	FEBEBITBLOCKCNT	Far-End Block Error (FEBE) Bit or Block Count (Control). Control bit, when set to a logic 0, causes the FEBE counters to count bit errors; otherwise, count block errors (a block equals one frame).	0
52 (0x34)	2	BITBLOCKCNT	Bit or Block Error Count (Control). Control bit, when set to a logic 0, causes the counters to count bit errors; otherwise, count block errors (a block equals one frame).	0
52 (0x34)	1	TSONET_SDH	Transmit SONET or SDH. Control bit, when set to a logic 0, puts the device transmit path into the SONET mode; otherwise, SDH mode.	0
52 (0x34)	0	TSTS3_AU4	Transmit STS3 or AU4 Mode. Control bit, when set to a logic 0, puts the device transmit path into the STS-3 mode (STS-3 signal demultiplexed into three STS-1 signals); otherwise, AU-4 mode (STM-1 (AU-4) signal demultiplexed into three AU-3 signals).	0

Table 34. Register 53: Low-Speed Transmit Common Signals (R/W)

Address Dec (Hex)	Bit	Name	Function	Reset Default
53 (0x35)	2	TLCLKINV	Transmit Low-Speed Clock Invert Control. Control bit, when set to a logic 1, causes the output clock to be inverted; otherwise, do not invert the output clock before leaving the device.	0
53 (0x35)	1	TLV1DISABLE	Transmit Low-Speed V1 Disable Control. Control bit, when set to a logic 1, disables the generation of V1 time signal on the transmit low-speed bus interface.	0
53 (0x35)	0	TLV1OEPAR	Transmit Low-Speed Verify Odd or Even Parity. Control bit, when set to a logic 0, causes odd parity to be verified per byte transfer per STS-1/AU-3 input; otherwise, even parity is verified.	0

Microprocessor Interface (continued)

Register Map (continued)

Table 35. Register 54—59: Transmit Low-Speed Port Input Control (R/W)

Address Dec (Hex)	Bit	Name	Function	Reset Default
54 (0x36) 56 (0x38) 58 (0x3A)	7—5	TSEL[1—3][2:0]	Transmit Select Control. Control bits allow input selection and loopback operation to occur on a per STS-1/AU-3 input basis (see Table 5, Input Select Control, on page 17).	010 001 000
54 (0x36) 56 (0x38) 58 (0x3A)	0	TLSDSCR[1—3]	Transmit Low-Speed Descramble Control. Control bit, when set to a logic 1, causes the selected STS-1/AU-3 input signal to be descrambled.	0
55 (0x37) 57 (0x39) 59 (0x3B)	7	TLS_UNEQUIP[1—3]	Transmit Low-Speed Unequipped Insert Control. Control bit, when set to a logic 1, causes an unequip signal to be generated in the selected STS-1/AU-3 time slot in the STS-3/STM-1 (AU-4) output signal; normal data is sent when set to a logic 0. Only TLS_UNEQUIP1 is used in AU-4 mode.	0
55 (0x37) 57 (0x39) 59 (0x3B)	6	TLS_LAISINS[1—3]	Transmit Low-Speed Line AIS Insert Control. Control bit, when set to a logic 1, causes an AIS signal to be inserted into the selected STS-1/TUG-3 time slot in the STS-3/STM-1 (AU-4) output signal; normal data is sent when set to a logic 0. Only TLS_LAISINS1 is used in AU-4 mode.	0
55 (0x37) 57 (0x39) 59 (0x3B)	3	TLSPTRMIS_AISINH [1—3]	Transmit Low-Speed Pointer Mismatch AIS Inhibit Control. Control bit, when set to a logic 1, causes the associated failure not to contribute to the automatic insertion of AIS-L in the associated output time slot; otherwise, allow the associated alarm to contribute to the generation of AIS-L.	1
55 (0x37) 57 (0x39) 59 (0x3B)	2	TLSH4MIS_AISINH [1—3]	Transmit Low-Speed H4 Mismatch AIS Inhibit Control. Same as above.	1
55 (0x37) 57 (0x39) 59 (0x3B)	1	TLSLOF_AISINH[1—3]	Transmit Low-Speed Loss-of-Frame AIS Inhibit Control. Same as above.	1
55 (0x37) 57 (0x39) 59 (0x3B)	0	TLSOOF_AISINH[1—3]	Transmit Low-Speed Out-of-Frame AIS Inhibit Control. Same as above.	0

Microprocessor Interface (continued)

Register Map (continued)

Table 36. Registers 60, 61: Transmit High-Speed Clock/Port Control (R/W)

Address Dec (Hex)	Bit	Name	Function	Reset Default
60 (0x3C)	7	THSCLKSEL_DorS	Transmit High-Speed Clock Select Differential or Single-Ended Inputs. Control bit, when set to a logic 0, selects the differential clock and sync inputs (THSSCLKIT/C (pins 143, 142), THSSJ0J1V1IT/C (pins 140, 139)) for driving the transmit direction of the device; otherwise, the single-ended inputs (THSCLKI, THSJ0J1V1I) are selected.	0
60 (0x3C)	6	THSPAROE	Transmit High-Speed Parity Odd or Even Generation. Control bit, when set to a logic 0, causes odd parity to be inserted in nibble/parallel mode per clock transfer on the STS-3/STM-1 (AU-4) output; a logic 1 causes even parity to be generated.	0
60 (0x3C)	5	THSSA1orEnd	Transmit High-Speed A1 or End Sync Alignment. Control bit, when set to a logic 0, causes the output sync to be coincident with the first bit, nibble, or byte of the outgoing frame; a logic 1 causes the sync to be coincident with the last bit, nibble, or byte of the frame.	0
60 (0x3C)	4	THSCLKINV	Transmit High-Speed Clock Invert. Control bit, when set to a logic 1, causes the output clock to be inverted, a logic 0 doesn't effect the clock.	0
60 (0x3C)	3—2	THSPTYPE[1:0]	Transmit High-Speed Port Type. Control bits control the type of output port (STS-3/STM-1 (AU-4): 00 = serial, 01 = nibble, 10 = byte mode).	00
60 (0x3C)	1—0	THSCLKTYPE[1:0]	Transmit High-Speed Clock Type. Control bits control the type of transmit clock being provided to the device: 00 = serial clock (155.52 MHz), 01 = nibble clock (38.88 MHz), 10 = byte clock (19.44 MHz).	00

Microprocessor Interface (continued)

Register Map (continued)

Table 36. Registers 60, 61: Transmit High-Speed Clock/Port Control (R/W) (continued)

Address Dec (Hex)	Bit	Name	Function	Reset Default
61 (0x3D)	7	THSSCR	Transmit High-Speed Scramble Enable. Control bit, when set to a logic 1, causes the output STS-3/STM-1 (AU-4) signal to be scrambled; the signal is not scrambled if set to a logic 0.	0
61 (0x3D)	6	RHS2THSLB	Receive High-Speed to Transmit High-Speed Loopback Control. Control bit, when set to a logic 1, causes the receive STS-3/STM-1 (AU-4) input signal to be looped back to the transmit high-speed output; loopback is disabled when set to a logic 0.	0
61 (0x3D)	2	THSCHIZ	Transmit High-Speed Clock High-Impedance (Control). Control signal, when set to a logic 1, causes the output STS-3/STM-1 (AU-4) clock to be placed in a high-impedance state; a logic 0 enables the output driver.	0
61 (0x3D)	1	THSSHIZ	Transmit High-Speed Sync High-Impedance (Control). Control signal, when set to a logic 1, causes the output STS-3/STM-1 (AU-4) sync signal to be placed in a high-impedance state; a logic 0 enables the output driver.	0
61 (0x3D)	0	THSDHIZ	Transmit High-Speed Data High-Impedance (Control). Control signal, when set to a logic 1, causes the output STS-3/STM-1 (AU-4) data signals to be placed in a high-impedance state; a logic 0 enables the output drivers.	0

Table 37. Register 62: Transmit High-Speed Control Signals (R/W)

Address Dec (Hex)	Bit	Name	Function	Reset Default
62 (0x3E)	7—6	TSS[1:0]	Transmit SS (Bits). These bits are used in the STS-1 mode to set the SS bits when an unequipped signal is being generated.	00
62 (0x3E)	4	TPFEBEINH	Transmit Path FEBE Inhibit. Control bit, when set to a logic 1, disables hardware insertion of Path FEBE (B3 errors) in the outgoing STM-1 (AU-4) frame G1 byte; a logic 0 enables hardware insertion of PFEBE. Only valid in AU-4 mode.	0
62 (0x3E)	3	TSFEBEINH	Transmit Section FEBE Inhibit. Control bit, when set to a logic 1, disables hardware insertion of Section FEBE (B2 errors) in the outgoing STS-3/STM-1 frame M1 byte; a logic 0 enables hardware insertion of SFEBE.	0

Microprocessor Interface (continued)

Register Map (continued)

Table 38. Register 62, and Page 0, Registers 128—191: Transmit High-Speed J1 Insert (R/W)

Address Dec (Hex)	Bit	Name	Function	Reset Default
62 (0x3E)	2	TJ1INS	Transmit J1 Insert (Control). Control bit, when set to a logic 1, inserts the 64-byte sequence TJ1DINS[64—1][7:0], Page 0, 0x80—BF into the outgoing STS-3/STM-1 (AU-4) frame; a logic 0 inserts an all-zeros pattern (0x00 for all 64 bytes of the J1DINS bytes). The TJ1DINS[64—1][7:0] values are unchanged.	0

Table 39. Register 62, 69: Transmit High-Speed Control Signals (R/W)

Address Dec (Hex)	Bit	Name	Function	Reset Default
62 (0x3E)	1	TS1INS	Transmit S1 Insert (Control). Control bit, when set to a logic 1, inserts the value in TS1DINS[7:0], 0x45 into the outgoing S1 byte in the STS-3/STM-1 (AU-4) frame; a logic 0 inserts the default value.	0

Table 40. Register 62, 66: Transmit High-Speed Control Signals (R/W)

Address Dec (Hex)	Bit	Name	Function	Reset Default
62 (0x3E)	0	TF1INS	Transmit F1 Insert (Control). Control bit, when set to a logic 1, inserts the value in TF1DINS[7:0], 0x42 into the outgoing F1 byte in the STS-3/STM-1 (AU-4) frame; a logic 0 inserts the default value.	0

Table 41. Registers 63—65: Trace/Growth Bytes (R/W)

Address Dec (Hex)	Bit	Name	Function	Reset Default
63 (0x3F)	7—0	TJ0DINS[7:0]	Transmit J0 Data Insert Value. Register value is inserted into the STS-3/STM-1 (AU-4) output J0 byte.	0x01
64 (0x40)	7—0	TZ02DINS[7:0]	Transmit Z0-2 Data Insert Value. Register value is inserted into the STS-3/STM-1 (AU-4) output Z0-2 byte.	0x02
65 (0x41)	7—0	TZ03DINS[7:0]	Transmit Z0-3 Data Insert Value. Register value is inserted into the STS-3/STM-1 (AU-4) output Z0-3 byte.	0x03

Microprocessor Interface (continued)**Register Map** (continued)**Table 42. Register 66: Transmit F1 Data Byte (R/W)**

Address Dec (Hex)	Bit	Name	Function	Reset Default
66 (0x42)	7—0	TF1DINS[7:0]	Transmit F1 Data Insert Value. See (addr 0x3E) for description.	0x00

Table 43. Registers 67 and 68: K1 and K2 Insert Bytes (R/W)

Address Dec (Hex)	Bit	Name	Function	Reset Default
67 (0x43) 68 (0x44)	7—3 7—0	TAPSINS[12:8] TAPSINS[7:0]	Transmit APS Data Insert Value. Register value is inserted into the STS-3/STM-1 (AU-4) output K1[7:0] and K2[7:3] bits.	0000000 000000
67 (0x43)	2—0	TK2INS[2:0]	Transmit K2 Data Insert Value. Register value is inserted into the STS-3/STM-1 (AU-4) output K2[2:0] bits.	000

Table 44. Register 69: Transmit Sync Status Byte (R/W)

Address Dec (Hex)	Bit	Name	Function	Reset Default
79 (0x45)	7—0	TS1DINS [7:0]	Transmit S1 Data Insert Value. See (addr 0x3E) for description.	0x00

Table 45. Register 70: Path Signal Trace Byte (R/W)

Address Dec (Hex)	Bit	Name	Function	Reset Default
70 (0x46)	7—0	TC2DINS [7:0]	Transmit C2 Data Insert Value. Register value is inserted into the STM-1(AU-4) output C2 byte.	0x00

Table 46. Register 71: Path User Channel Byte (R/W)

Address Dec (Hex)	Bit	Name	Function	Reset Default
71 (0x47)	7—0	TF2DINS [7:0]	Transmit F2 Data Insert Value. Register value is inserted into the STM-1(AU-4) output F2 byte.	0x00

Table 47. Register 72: Path Growth Byte (R/W)

Address Dec (Hex)	Bit	Name	Function	Reset Default
72 (0x48)	7—0	TZ3DINS[7:0]	Transmit Z3 Data Insert Value. Register value is inserted into the STM-1(AU-4) output Z3 byte.	0x00

Microprocessor Interface (continued)

Register Map (continued)

Table 48. Register 73: Tandem Connection Byte (R/W)

Address Dec (Hex)	Bit	Name	Function	Reset Default
73 (0x49)	7—0	TZ5DINS[7:0]	Transmit Z5 Data Insert Value. Register value is inserted into the STM-1(AU-4) output Z5 byte.	0x00

Table 49. Register 74: Transmit High-Speed Line RDI Insertion Inhibit Bits (R/W)

Address Dec (Hex)	Bit	Name	Function	Reset Default
74 (0x4A)	7	TLRDIINH	Transmit RDI-L Inhibit Control. Control bit, when set to a logic 0, allows software to insert the TK2INS[2:0] byte, 0x43 into the outgoing K2[2:0] bits; otherwise, Line RDI 110 is inserted if the appropriate alarms are active.	1
74 (0x4A)	5	TRHSSF_LRDIINH	Transmit Receive High-Speed Signal Fail L-RDI Inhibit. Control bits, when set to a logic 1, causes the associated failure not to contribute to the automatic insertion of RDI-L; otherwise, the associated alarm contributes to the generation of RDI-L.	0
74 (0x4A)	4	TRLAISMON_LRDIINH	Transmit Receive Line AIS Path RDI Inhibit. Same as above.	0
74 (0x4A)	3	TRHSLOF_LRDIINH	Transmit Receive High-Speed Loss-of-Frame Line RDI Inhibit. Same as above.	1
74 (0x4A)	2	TRHSOOF_LRDIINH	Transmit Receive High-Speed Out-of-Frame Line RDI Inhibit. Same as above.	0
74 (0x4A)	1	TRHSLOS_LRDIINH	Transmit Receive High-Speed Loss-of-Signal Line RDI Inhibit. Same as above.	0
74 (0x4A)	0	TRILOC_LRDIINH	Transmit Receive Input Loss-of-Clock Line RDI Inhibit. Same as above.	0

Table 50. Register 75: Transmit High-Speed Path RDI Insertion Inhibit Bits (R/W)

Address Dec (Hex)	Bit	Name	Function	Reset Default
75 (0x4B)	7	TPRDIINS	Transmit RDI-P Insert. Control bit, when set to a logic 1, allows software to insert P-RDI into the outgoing G1[3] bit, AU-4 mode only; otherwise, insert Path RDI under hardware control.	0
75 (0x4B)	6	TRLOP1_PRDIINH	Transmit Receive Loss-of-Pointer Path RDI Inhibit. Control bits, when set to a logic 1, causes the associated failure not to contribute to the automatic insertion of RDI-P; otherwise, the associated alarm contributes to the generation of RDI-P (port 1, AU-4 mode only).	0
75 (0x4B)	5	TRPAIS1_PRDIINH	Transmit Receive Path AIS Path RDI Inhibit. Same as above.	0

Microprocessor Interface (continued)

Register Map (continued)

Table 50. Register 75: Transmit High-Speed Path RDI Insertion Inhibit Bits (R/W) (continued)

Address Dec (Hex)	Bit	Name	Function	Reset Default
75 (0x4B)	4	TRLAISMON_PRDIINH	Transmit Receive Line AIS Path RDI Inhibit. Same as above.	0
75 (0x4B)	3	TRHSLOF_PRDIINH	Transmit Receive High-Speed Loss-of-Frame Path RDI Inhibit. Same as above.	1
75 (0x4B)	2	TRHSOOF_PRDIINH	Transmit Receive High-Speed Out-of-Frame Path RDI Inhibit. Same as above.	0
75 (0x4B)	1	TRHSLOS_PRDIINH	Transmit Receive High-Speed Loss-of-Signal Path RDI Inhibit. Same as above.	0
75 (0x4B)	0	TRILOC_PRDIINH	Transmit Receive Input Loss-of-Clock Path RDI Inhibit. Same as above.	0

Table 51. Register 76: Transmit High-Speed Error Insert Control Parameters (R/W)

Address Dec (Hex)	Bit	Name	Function	Reset Default
76 (0x4C)	4	THSB3ERRINS	Transmit High-Speed B3 Error Insert. Control bit, when set to a logic 1, causes the output B3 byte in the outgoing STM-1 (AU-4) signal to be inverted.	0
76 (0x4C)	3—1	THSB2ERRINS[3—1]	Transmit High-Speed B2 Error Insert. Control bit, when set to a logic 1, causes the output B2 bytes in the outgoing STS-3/STM-1 (AU-4) signal to be inverted.	000
76 (0x4C)	0	THSB1ERRINS	Transmit High-Speed B1 Error Insert. Control bit, when set to a logic 1, causes the output B1 byte in the outgoing STS-3/STM-1 (AU-4) signal to be inverted.	0

Microprocessor Interface (continued)

Register Map (continued)

Table 52. Register 77: Transmit High-Speed Error Insert Control Parameters (R/W)

Address Dec (Hex)	Bit	Name	Function	Reset Default
77 (0x4D)	7	TPFEBEEINS	Transmit Path FEBE Error Insert. Control bit, when set to a logic 1, causes a continuous Path FEBE error in the outgoing STM-1 (AU-4) signal; otherwise, a normal Path FEBE value is sent.	0
77 (0x4D)	6	TSFEBEEINS	Transmit Section FEBE Error Insert. Control bit, when set to a logic 1, causes a continuous Section FEBE error in the outgoing STS-3/STM-1 (AU-4) signal; otherwise, the normal Section FEBE value is sent.	0
77 (0x4D)	5	TAPSBABLEINS	Transmit APS Babble Insert. Control bit, when set to a logic 1, causes an inconsistent APS byte (K1[7:0], K2[7:3]) to be inserted into the outgoing STS-3/STM-1 (AU-4) frame.	0
77 (0x4D)	4—0	TA1A2ERRINS[4:0]	Transmit Frame Error Insert Value. These bits specify the number of consecutive frames to be inserted with a frame error (A1A2). This register is used in conjunction with control bit TA1A2ERREN, 0x04.	0x0

Table 53. Register 78: Transmit High-Speed Error Insert (R/W)

Address Dec (Hex)	Bit	Name	Function	Reset Default
78 (0x4E)	7—5	TH1H2CRUPEN[3—1]	Transmit H1 H2 Corrupt Enable. Control bits, when set to a logic 1, cause the output H1 and H2 bytes of the STS-3/STM-1 (AU-4) signal to be corrupted on a per STS-1 basis. In the AU-4 mode, only control bit 1 is used.	000
78 (0x4E)	4	TH1H2CRUPPorNDF	Transmit H1 H2 Corrupt or NDF. Control bit, when set to a logic 0, causes an invalid pointer to be inserted into the output H1 and H2 bytes; otherwise, a continuous NDF condition (1001) is sent.	0
78 (0x4E)	2	TPAT23or15	Transmit Test Pattern (2²³ – 1) or (2¹⁵ – 1). Control bit, when set to a logic 0, causes a Q23 + Q17 + 1 pattern to be inserted; otherwise, generate a Q15 + Q14 + 1 pattern.	0
78 (0x4E)	1—0	TSTGEN_PSEL[1:0]	Transmit Test Generation Port Select. Control bits specify which TUG-3 the pseudorandom pattern is inserted into: 00 disable, 01 = TUG-3 #1, 10 = TUG-3 #2, 11 = TUG-3 #3.	00

Microprocessor Interface (continued)

Register Map (continued)

Table 54. Register 79: Receive/Transmit TOAC Control (R/W)

Address Dec (Hex)	Bit	Name	Function	Reset Default
79 (0x4F)	7	RTOAC_CLKINV	Receive TOAC Clock Invert Control. Control bit, when set to a logic 1, forces the receive TOAC clock to be inverted leaving the device; otherwise, the clock is not inverted.	0
79 (0x4F)	6	RTOACS_A1orEND	Receive TOAC Sync A1 or Frame-End Align. Control bit, when set to a logic 0, forces the output 8 kHz frame sync signal to be aligned with the first bit of the frame; otherwise, align the output 8 kHz frame sync with the last bit of the previous frame.	0
79 (0x4F)	5	RTOAC_OEPINS	Receive TOAC Odd or Even Parity Insert. Control bit, when set to a logic 1, forces the output TOAC parity bit to be even; otherwise, the parity is odd.	0
79 (0x4F)	4	RTOACINH	Receive TOAC Clock/Sync/Data Inhibit. Control bit, when set to a logic 1, forces the receive TOAC clock, sync, and data outputs to be placed in a high-impedance state.	0
79 (0x4F)	3	TTOAC_CLKINV	Transmit TOAC Clock Invert Control. Control bit, when set to a logic 1, forces the output clock to be inverted leaving the device; otherwise, the clock is not inverted.	0
79 (0x4F)	2	TTOACSA1orEND	Transmit TOAC Sync A1 or Frame-End Align. Control bit, when set to a logic 0, forces the output 8 kHz frame sync signal to be aligned with the first bit of the frame; otherwise, align the output 8 kHz frame sync with the last bit of the previous frame.	0
79 (0x4F)	1	TTOAC_OEPMON	Transmit TOAC Odd or Even Parity Monitor. Control bit, when set to a logic 1, forces the input TOAC parity checker to check for odd parity; otherwise, even parity is checked on the transmit TOAC channel.	0
79 (0x4F)	0	TTOACINH	Transmit TOAC Clock and Sync Inhibit. Control bit, when set to a logic 1, forces the transmit TOAC clock and sync to be placed in a high-impedance state.	0

Microprocessor Interface (continued)

Register Map (continued)

Table 55. Registers 80, 81: Transmit TOAC Control (R/W)

Address Dec (Hex)	Bit	Name	Function	Reset Default
80 (0x50)	7—6	TTOAC_E2[1:0]	Transmit TOAC E2 Byte Control. Control bits, when set to a logic 00 or 11, cause the default value to be inserted into the E2 byte in the transmit STS-3/STM-1 (AU-4) frame. Setting these control bits to a logic 01 causes the TTOAC value to be inserted into the E2 byte. Setting these control bits to a logic 10 causes the E2 value in the associated STS-1/AU-3 to pass through unchanged.	00
80 (0x50)	5—4	TTOAC_E1[1:0]	Transmit TOAC E1 Byte Control. Control bits, when set to a logic 00 or 11, cause the default value to be inserted into the E1 byte in the transmit STS-3/STM-1 (AU-4) frame. Setting these control bits to a logic 01 causes the TTOAC value to be inserted into the E1 byte. Setting these control bits to a logic 10 causes the E1 value in the associated STS-1/AU-3 to pass through unchanged.	00
80 (0x50)	3—2	TTOAC_D4TO12[1:0]	Transmit TOAC D4 to D12 Byte Control. Control bits, when set to a logic 00 or 11, cause the default value to be inserted into the D4 to D12 bytes in the transmit STS-3/STM-1 (AU-4) frame. Setting these control bits to a logic 01 causes the TTOAC values to be inserted into the D4 to D12 bytes, respectively. Setting these control bits to a logic 10 causes the D4 to D12 values in the associated STS-1/AU-3 to pass through unchanged.	00
80 (0x50)	1—0	TTOAC_D1TO3[1:0]	Transmit TOAC D1 to D12 Byte Control. Control bits, when set to a logic 00 or 11, cause the default value to be inserted into the D1 to D3 bytes in the transmit STS-3/STM-1 (AU-4) frame. Setting these control bits to a logic 01 causes the TTOAC values to be inserted into the D1 to D3 bytes, respectively. Setting these control bits to a logic 10 causes the D1 to D3 values in the associated STS-1/AU-3 to pass through unchanged.	00

Microprocessor Interface (continued)

Register Map (continued)

Table 55. Registers 80, 81: Transmit TOAC Control (R/W) (continued)

Address Dec (Hex)	Bit	Name	Function	Reset Default
81 (0x51)	7—6	TTOAC_INS[1:0]	Transmit TOAC Byte Control. Control bits, when set to a logic 00 or 11, cause the default value to be inserted into all overhead bytes without specific insert control bits in the transmit STS-3/STM-1 (AU-4) frame. Setting these control bits to a logic 01 causes the TTOAC value to be inserted into all overhead bytes without specific insert control bits. Setting these control bits to a logic 10 causes the associated STS-1/AU-3 values to pass through unchanged.	00
81 (0x51)	5—4	TTOAC_Z2[1:0]	Transmit TOAC Z2 Byte Control. Control bits, when set to a logic 00 or 11, cause the default value to be inserted into the Z2 byte in the transmit STS-3/STM-1 (AU-4) frame. Setting these control bits to a logic 01 causes the TTOAC value to be inserted into the Z2 byte. Setting these control bits to a logic 10 causes the Z2 value in the associated STS-1/AU-3 to pass through unchanged.	00
81 (0x51)	3—2	TTOAC_Z1[1:0]	Transmit TOAC Z1 Byte Control. Control bits, when set to a logic 00 or 11, cause the default value to be inserted into the Z1 byte in the transmit STS-3/STM-1 (AU-4) frame. Setting these control bits to a logic 01 causes the TTOAC value to be inserted into the Z1 byte. Setting these control bits to a logic 10 causes the Z1 value in the associated STS-1/AU-3 to pass through unchanged.	00
81 (0x51)	1—0	TTOAC_F1[1:0]	Transmit TOAC F1 Byte Control. Control bits, when set to a logic 00 or 11, cause the default value to be inserted into the F1 byte in the transmit STS-3/STM-1 (AU-4) frame. Setting these control bits to a logic 01 causes the TTOAC value to be inserted into the F1 byte. Setting these control bits to a logic 10 causes the F1 value in the associated STS-1/AU-3 to pass through unchanged.	00

Microprocessor Interface (continued)

Register Map (continued)

Table 56. Register 83, 84: Transmit High-Speed STS-3/STM-1 Output Frame Offset (R/W)

Address Dec (Hex)	Bit	Name	Function	Reset Default
83 (0x53)	7—5	TLBITCNT[2:0]	Transmit Load Bit Count. Allow the output STS-3/STM-1 (AU-4) frame to have any relationship to the input J0 frame sync pulse (THSSJ0J1V1I (T/C)). The actual operation of these registers is listed below.	000
83 (0x53) 84 (0x54)	3—0 7—4	TLCOLCNT[6:4] TLCOLCNT[3:0]	Transmit Load Column Count. Same as above.	0000000
83 (0x53)	4—3	TLSTS1CNT[1:0]	Transmit Load STS1 Count. Same as above.	00
84 (0x54)	2—0	TLROWCNT[3:0]	Transmit Load Row Count. Same as above.	0000

THS SYNC/DATA Alignment Equations and Tables

Equations for Sync Alignment:

x = Desired Row

y = Desired Column

R, C, S, B, rmult, and cmult (See Table 57, A1-1 Alignment Parameters.)

Equation 1. $((x \cdot rmult) + (y \cdot cmult)) / cmult \cdot 1/90 = rowsub + colsub/90$

Equation 2. $rparm = R - rowsub$

Equation 3. $cparm = C - colsub$

Equation 4. If (x = 8) then

If (cparm = -2) then

$TLROWCNT = 8$

$TLCOLCNT = 88$

Else if (cparm = -1) then

$TLROWCNT = 8$

$TLCOLCNT = 89$

Else if (x ≠ 8) then

If (cparm = -2) then

$TLROWCNT = rparm - 1$

$TLCOLCNT = 88$

Else if (cparm = -1) then

$TLROWCNT = rparm - 1$

$TLCOLCNT = 89$

Microprocessor Interface (continued)

Register Map (continued)

Otherwise

$$TLROWCNT = rparm$$

$$TLCOLCNT = cparm$$

Equation 5. If (THSCLKTYPE = BIT and THSPTYPE = BIT)

$$TLBITCNT = (\text{selected bit from BITCNT Alignment Table, Table 58 on page 80.})$$

Otherwise

$$TLBITCNT = B$$

Equation 6. If (THSCLKTYPE = BIT and THSPTYPE = BIT and $B \leq 7$)

$$TLSTS1CNT = S - 1 \text{ (i.e., } 0 \rightarrow 2, 1 \rightarrow 0, 2 \rightarrow 1)$$

If (STS #2) then

$$TLCOLCNT = TLCOLCNT - 1$$

Else

$$TLCOLCNT = TLCOLCNT$$

If ($y = 89$ and STS #2 and $TLROWCNT = 0$) then

$$TLROWCNT = 8$$

Else if ($y = 89$ and STS #2) then

$$TLROWCNT = TLROWCNT - 1$$

Else

$$TLROWCNT = TLROWCNT$$

Otherwise

$$TLSTS1CNT = S$$

Examples

1. Align sync with D3, STS #1, THSCLKTYPE = BYTE, THSPTYPE = BYTE

$$x = 2, y = 2$$

(from Table 57, A1-1 Alignment Parameters)

$$(((2 \cdot 270) + (2 \cdot 3))/3) \cdot 1/90 = 2 + 2/90 \quad (\text{equation \#1})$$

$$rparm = 8 - 2 = 6 \quad (\text{equation \#2})$$

$$cparm = 87 - 2 = 85 \quad (\text{equation \#3})$$

$$TLROWCNT = 6 \quad (\text{equation \#4})$$

$$TLCOLCNT = 86 \quad (\text{equation \#4})$$

$$TLBITCNT = 0 \quad (\text{equation \#5})$$

$$TLSTS1CNT = 2 \quad (\text{equation \#6})$$

Microprocessor Interface (continued)

Register Map (continued)

2. Align sync with row = 8, column = 89, STS #3

THSCLKTYPE = BYTE, THSPTYPE = BYTE

x = 8, y = 89

(from Table 57, A1-1 Alignment Parameters)

$$(((8 \cdot 270) + (89 \cdot 3))/3) \cdot 1/90 = 8 + 89/90 \quad (\text{equation \#1})$$

$$\text{rparm} = 8 - 8 = 0 \quad (\text{equation \#2})$$

$$\text{cparm} = 87 - 89 = -2 \quad (\text{equation \#3})$$

$$\text{TLROWCNT} = 8 \quad (\text{equation \#4})$$

$$\text{TLCOLCNT} = 88 \quad (\text{equation \#4})$$

$$\text{TLBITCNT} = 0 \quad (\text{equation \#5})$$

$$\text{TLSTS1CNT} = 0 \quad (\text{equation \#6})$$

3. Align sync with row = 5, column = 89, STS #3

THSCLKTYPE = NIBBLE, THSPTYPE = BYTE

x = 5, y = 89

(from Table 57, A1-1 Alignment Parameters)

$$(((5 \cdot 540) + (89 \cdot 6))/6) \cdot 1/90 = 5 + 89/90 \quad (\text{equation \#1})$$

$$\text{rparm} = 8 - 5 = 3 \quad (\text{equation \#2})$$

$$\text{cparm} = 88 - 89 = -1 \quad (\text{equation \#3})$$

$$\text{TLROWCNT} = 3 - 1 = 2 \quad (\text{equation \#4})$$

$$\text{TLCOLCNT} = 89 \quad (\text{equation \#4})$$

$$\text{TLBITCNT} = 0 \quad (\text{equation \#5})$$

$$\text{TLSTS1CNT} = 1 \quad (\text{equation \#6})$$

Microprocessor Interface (continued)

Register Map (continued)

Table 57. A1-1 Alignment Parameters

THSCLKTYPE	THSPTYPE	STS #	R	C	S	B	rmult	cmult
BIT	BIT	1	8	89	1	7	2160	24
BIT	BIT	2	8	89	0	7	2160	24
BIT	BIT	3	8	88	2	7	2160	24
BIT	NIBBLE	1	8	89	1	6*	2160	24
BIT	NIBBLE	2	8	89	0	6*	2160	24
BIT	NIBBLE	3	8	88	2	6*	2160	24
BIT	BYTE	1	8	89	1	6	2160	24
BIT	BYTE	2	8	89	0	6	2160	24
BIT	BYTE	3	8	88	2	6	2160	24
NIBBLE	NIBBLE	1	8	88	2	1	540	6
NIBBLE	NIBBLE	2	8	88	1	1	540	6
NIBBLE	NIBBLE	3	8	88	0	1	540	6
NIBBLE	BYTE	1	8	88	2	1	540	6
NIBBLE	BYTE	2	8	88	1	1	540	6
NIBBLE	BYTE	3	8	88	0	1	540	6
BYTE	BYTE	1	8	87	2	0	270	3
BYTE	BYTE	2	8	87	1	0	270	3
BYTE	BYTE	3	8	87	0	0	270	3

* Aligns with MSN.

Table 58. BITCNT Alignment Table

Valid for THSCLKTYPE = THSPTYPE only.

	MSB → LSB							
A1-1 BYTE	A1 Bit 7	A1 Bit 6	A1 Bit 5	A1 Bit 4	A1 Bit 3	A1 Bit 2	A1 Bit 1	A1 Bit 0
BIT	B = 7	B = 0	B = 1	B = 2	B = 3	B = 4	B = 5	B = 6
NIBBLE	(MSN) B = 1				(LSN) B = 0			
BYTE	B = 0							

Microprocessor Interface (continued)

Register Map (continued)

Table 59. Register 85: Receive High/Low-Speed Port Control (R/W)

Address Dec (Hex)	Bit	Name	Function	Reset Default
85 (0x55)	7	THS2RHSLB	Transmit High-Speed Receive High-Speed Loopback Control. Control bit, when set to a logic 1, causes the transmit output STS-3/STM-1 (AU-4) signal to be looped back to the receive input; otherwise, the loopback is disabled.	0
85 (0x55)	6	RHSDSCR	Receive High-Speed Descramble Enable. Control bit, when set to a logic 1, causes the input STS-3/STM-1 (AU-4) signal to be descrambled; otherwise, the signal is not descrambled.	0
85 (0x55)	5	RCONCATMODE	Receive Concatenation Mode. Control bit, when set to a logic 1, causes the input pointer interpreter to operate in concatenation mode. This mode is most likely used in the AU-4 mode; otherwise, three independent pointers are expected.	0
85 (0x55)	4	RRDI_MPYorEFC	Receive RDI Monitor Path Yellow or Enhanced Failure Code. Control bit, when set to a logic 0, causes the device to monitor path yellow in the incoming G1 byte bit 3; otherwise, the device monitors for an enhanced failure code in the G1 byte bits 3 down to 1.	0
85 (0x55)	3	RHSVOEPAR	Receive High-Speed Verify Odd or Even Parity. Control bit when, set to a logic 0, causes odd parity to be verified in nibble/parallel mode per clock transfer on the STS-3/STM-1 (AU-4) input; otherwise, even parity is verified.	0
85 (0x55)	2	RHSEGE	Receive High-Speed Retime Edge Control. Control bit, when set to a logic 1, causes the STS-3/STM-1 (AU-4) input data to be retimed on the positive edge; otherwise, the input STS-3/STM-1 (AU-4) input data is retimed on the falling edge of the input clock.	0
85 (0x55)	1—0	RHSPTYPE[1:0]	Receive High-Speed Port Type. Control bits are used to control the type of output interface required: 00 = serial interface, 01 = nibble interface, 10 = byte-wide interface.	00

Microprocessor Interface (continued)**Register Map** (continued)**Table 60. Register 86: Receive J1 and Receive Low-Speed Port Select Control (R/W)**

Address Dec (Hex)	Bit	Name	Function	Reset Default
86 (0x56)	7—6	J1PSELMON[1:0]	J1 Port Select Monitor Control. Control bits are used to select which J1 byte will be monitored in the received STS-3/STM-1 (AU-4) signal: 00 = port 1, 01 = port 2, 10 = port 3, 11 = undefined operation.	00
86 (0x56)	5—4 3—2 1—0	RSEL[3—1][1:0]	Receive Port Select Control. Control bits allow receive output selection: 00 or 11 = port 1 selected, 01 = port 2 selected, 10 = port 3 selected.	10 01 00

Table 61. Register 87: STS-1/AU-3 Receive Control Bits (R/W)

Address Dec (Hex)	Bit	Name	Function	Reset Default
87 (0x57)	7—5	RLSSCR[3—1]	Receive Low-Speed Scrambler Enable. Control bit, when set to a logic 1, causes the selected STS-1/AU-3 output signal to be scrambled; otherwise, the output signal is not scrambled.	000
87 (0x57)	4	RHSPorCDRSEL	Receive High-Speed Port or CDR Clock and Data Select. Control bit, when set to a logic 0, causes the differential receive clock and data inputs (RHSSCLKIT/C, RHSSDATAIT/C) to be used in the device receive path; otherwise, the outputs of the CDR clock recovery block are used.	0
87 (0x57)	3	PAISLOP_AISINH	Path AIS or LOP AIS Inhibit. Control bit, when set to a logic 0, causes state bits PAIS and LOP to contribute to the generation of Path AIS; otherwise, the state bits are inhibited from contributing to Path AIS generation.	0
87 (0x57)	2	TLS2RLSLB	Transmit Low-Speed to Receive Low-Speed Loopback. Control bit, when set to a logic 1, causes the transmit STS-1/AU-3 input signals to be looped back to the receive STS-1/AU-3 outputs; otherwise, loopback is disabled.	0
87 (0x57)	1	RLSCLKINV	Receive Low-Speed Clock Invert Control. Control bit, when set to a logic 1, causes the output clock to be inverted; otherwise, the output STS-1/AU-3 receive clock is not inverted.	0
87 (0x57)	0	RLSPAROEGB	Receive Low-Speed Parity Odd or Even Generation. Control bit, when set to a logic 1, forces the output parity bit to be even; otherwise, the parity is odd.	0

Microprocessor Interface (continued)

Register Map (continued)

Table 62. Register 88: STS-1/AU-3 Receive Low-Speed AIS Inhibit Control Bits (R/W)

Address Dec (Hex)	Bit	Name	Function	Reset Default
88 (0x58)	7	RRLAISMON_AISINH	Receive Line AIS Monitor AIS Inhibit. Control bits, when set to a logic 1, inhibit the associated alarm from causing AIS generation; otherwise, these allow the associated failure to cause AIS generation on all STS-1/AU-3 outputs.	0
88 (0x58)	6	RRHSLOS_AISINH	Receive High-Speed Loss-of-Signal AIS Inhibit. Same as above.	0
88 (0x58)	5	RRHSLOF_AISINH	Receive High-Speed Loss-of-Frame AIS Inhibit. Same as above.	1
88 (0x58)	4	RRHSOOF_AISINH	Receive High-Speed Out-of-Frame AIS Inhibit. Same as above.	0
88 (0x58)	3	RRILOC_AISINH	Receive Input Loss-of-Clock AIS Inhibit. Same as above.	0

Table 63. Registers 88, 89: STS-1/AU-3 Loss of Signal Detector (R/W)

Address Dec (Hex)	Bit	Name	Function	Reset Default
88 (0x58) 89 (0x59)	2—0 7—0	LOSDETCNT[10:8] LOSDETCNT[7:0]	Loss-of-Signal Detection Count. Control bits are the number of consecutive all-zeros/-ones pattern detected to declare LOS state in the unscrambled STS-3/STM-1 (AU-4) input frame. A value of 0x02D equals 2.3 μs while a value of 0x798 equals 100 μs.	0x02D = 2.3 μs

Table 64. Register 90—95: Continuous N Times Detect (CNTD) Values (R/W)

Address Dec (Hex)	Bit	Name	Function	Reset Default
90 (0x5A)	7—4	CNTDF1[3:0]	Continuous N Times Detect for F1 Byte. Register sets the number of CNTD occurrences of a consistent F1 value in the incoming STS-3/STM-1 (AU-4) frame. The valid range for this register is 0x3—0xF. Invalid values will be mapped to a value of 0x3.	0x3
90 (0x5A)	3—0	CNTDJ0Z0[3:0]	Continuous N Times Detect for J0Z0 Bytes. Register sets the number of CNTD occurrences of a consistent J0, Z0-2, and Z0-3 values in the incoming STS-3/STM-1 (AU-4) frame. The valid range for this register is 0x3—0xF. Invalid values will be mapped to a value of 0x3.	0x3

Microprocessor Interface (continued)

Register Map (continued)

Table 64. Register 90—95: Continuous N Times Detect (CNTD) Values (R/W) (continued)

Address Dec (Hex)	Bit	Name	Function	Reset Default
91 (0x5B)	7—4	CNTDAPS[3:0]	Continuous N Times Detect for APS (K1, K2[7:3]) Byte. Register sets the number of CNTD occurrences of a consistent APS value in the incoming STS-3/STM-1 (AU-4) frame. The valid range for this register is 0x3—0xF. Invalid values will be mapped to a value of 0x3.	0x3
91 (0x5B)	3—0	CNTDK2[3:0]	Continuous N Times Detect for K2[2:0] Byte. Register sets the number of CNTD occurrences of a consistent K2[2:0] value in the incoming STS-3/STM-1 (AU-4) frame. The valid range for this register is 0x3—0xF. Invalid values will be mapped to a value of 0x3.	0x3
92 (0x5C)	7—4	CNTDAPFRAME[3:0]	Continuous N Times Detect for APS Frame Byte. Register sets the number of CNTD frames that an inconsistent APS value in the incoming STS-3/STM-1 (AU-4) frame detects. This value is used in the APS Babble algorithm. The valid range for this register is 0x3—0xF. Invalid values will be mapped to a value of 0x3.	0xC
92 (0x5C)	3—0	CNTDS1[3:0]	Continuous N Times Detect for S1 Byte. Register sets the number of CNTD occurrences of a consistent S1 value in the incoming STS-3/STM-1 (AU-4) frame. The valid range for this register is 0x3—0xF. Invalid values will be mapped to a value of 0x3.	0x3
93 (0x5D)	7—4	CNTDG1[3:0]	Continuous N Times Detect for G1 Byte. Register sets the number of CNTD occurrences of a consistent G1 value in the incoming STS-3/STM-1 (AU-4) frame. The valid range for this register is 0x3—0xF. Invalid values will be mapped to a value of 0x3.	0x3
93 (0x5D)	3—0	CNTDC2[3:0]	Continuous N Times Detect for C2 Byte. Register sets the number of CNTD occurrences of a consistent C2 value in the incoming STS-3/STM-1 (AU-4) frame. The valid range for this register is 0x3—0xF. Invalid values will be mapped to a value of 0x3.	0x3
94 (0x5E)	7—4	CNTDF2[3:0]	Continuous N Times Detect for F2 Byte. Register sets the number of CNTD occurrences of a consistent F2 value in the incoming STS-3/STM-1 (AU-4) frame. The valid range for this register is 0x3—0xF. Invalid values will be mapped to a value of 0x3.	0x3

Microprocessor Interface (continued)

Register Map (continued)

Table 64. Register 90—95: Continuous N Times Detect (CNTD) Values (R/W) (continued)

Address Dec (Hex)	Bit	Name	Function	Reset Default
94 (0x5E)	3—0	CNTDZ3[3:0]	Continuous N Times Detect for Z3 Byte. Register sets the number of CNTD occurrences of a consistent Z3 value in the incoming STS-3/STM-1 (AU-4) frame. The valid range for this register is 0x3—0xF. Invalid values will be mapped to a value of 0x3.	0x3
95 (0x5F)	3—0	CNTDZ5[3:0]	Continuous N Times Detect for Z5 Byte. Register sets the number of CNTD occurrences of a consistent Z5 value in the incoming STS-3/STM-1 (AU-4) frame. The valid range for this register is 0x3—0xF. Invalid values will be mapped to a value of 0x3.	0x3

Table 65. Register 95: Continuous N Times Detect (CNTD) B1 Control Bit (R/W)

Address Dec (Hex)	Bit	Name	Function	Reset Default
95 (0x5F)	7	CNTDB1SEL	Continuous N Times Detect B1 Select. Control bit, when set to a logic 1, causes the K2 byte CNTD monitors to be reset whenever a B1 error occurs; otherwise, B1 errors are ignored.	0
95 (0x5F)	6	RLOCINH	Receive Loss-of-Clock Inhibit. Control bit, when set to a logic 1, inhibits the device receive path from using the transmit high-speed clock during an RILOC, 0x1B condition (AIS generation); otherwise, automatically switch to the transmit clock during a RILOC condition.	0
95 (0x5F)	5—4	CNTCIP_ICI[1:0]	Continuous N Times Detect Invalid Pointer and Invalid Concatenation Indication. Control bits are the number of consecutive conditions for invalid pointer and invalid concatenation indication (pointer interpretation). Valid values are the following: 00 = 8\D, 01 = 9\D, 10 = 10\D, and 11 = 8\D.	00

Microprocessor Interface (continued)

Register Map (continued)

Table 66. Register 96: Test Pattern Drop Control and Status

Address Dec (Hex)	Bit	Name	Function	Reset Default
96 (0x60)	7	RTSTDRP_OOS	Receive Test Drop Out-of-Sync Indication (RO). State bit, when at a logic 1, indicates the test pattern is out of sync (OOS); a logic 0 indicates the test pattern monitor is in sync and able to count bit errors in the pseudorandom test pattern.	1
96 (0x60)	2	RPAT23or15	Receive Test Drop Pattern Detect ($2^{23} - 1$) or ($2^{15} - 1$) (R/W). Control bit, when set to a logic 0, causes a Q23 + Q17 + 1 pattern to be monitored; otherwise, a Q15 + Q14 + 1 pattern is monitored.	0
96 (0x60)	1—0	RTSTDRP_PSEL[1:0]	Receive Test Drop Port Select Control (R/W). Control bits specify which TUG-3 the pseudorandom pattern is to be monitored: 00 disable, 01 = TUG-3 #1, 10 = TUG-3 #2, 11 = TUG-3 #3.	00

Table 67. Register 97: Test Pattern Drop Error Counter (RO)

Address Dec (Hex)	Bit	Name	Function	Reset Default
97 (0x61)	7—0	RTSTDRP_ECNT[7:0]	Receive Test Drop Error Count. Value counts the number of errors received on the monitored pseudorandom signal. This counter will hold at its maximum value.	0x00

Table 68. Register 98: Receive Low-Speed Overhead Control Bits (R/W)

Address Dec (Hex)	Bit	Name	Function	Reset Default
98 (0x62)	7—5	RA1A2ERRPEN[3—1]	Receive A1A2 Error Insert Port Enables. Port into which framing errors will be injected. The number of consecutive frames that contain errors is controlled by RA1A2ERRINS[4:0] in the same register in which the action takes place when RA1A2ERREN, 0x04 transitions from a logic 0 to logic 1.	000
98 (0x62)	4—0	RA1A2ERRINS[4:0]	Receive A1A2 Frame Error Insert. Same as above.	0x1

Microprocessor Interface (continued)

Register Map (continued)

Table 69. Register 99: Receive Low-Speed BIP Error Insert (R/W)

Address Dec (Hex)	Bit	Name	Function	Reset Default
99 (0x63)	5—3	RB2ERRINS[3—1]	Receive B2 Error Insert Control. Control bit, when set to a logic 1, causes the respective B2 byte in the outgoing STS-1/AU-3 signal to be inverted.	000
99 (0x63)	2—0	RB1ERRINS[3—1]	Receive B1 Error Insert Control. Control bit, when set to a logic 1, causes the respective B1 byte in the outgoing STS-1/AU-3 signal to be inverted.	000

Table 70. Registers 100—102: Receive Low-Speed Overhead Control Bits (R/W)

Address Dec (Hex)	Bit	Name	Function	Reset Default
100 (0x64)	6	RH1H2CRUPPorNDF	Receive H1 H2 Corrupt or NDF. Control bit, when set to a logic 0, causes an invalid pointer to be inserted into the output H1 and H2 bytes; otherwise, a continuous NDF condition (1001) is forced in the STS-1/AU-3 signal.	0
100 (0x64)	5—3	RH1H2CRUPEN[3—1]	Receive H1 H2 Corrupt Enable. Control bits, when set to a logic 1, causes the output H1 and H2 bytes of the STS-1/AU-3 signal to be corrupted as controlled by register bit RH1H2CRUPPorNDF in the same register.	000
100 (0x64)	2—0	RF1INS[3—1]	Receive F1 Data Insert. Control bits, when set to a logic 1, causes the RF1DINS[3—1][7:0], 0x6B—6D values to be inserted into the respective output F1 bytes in the STS-1/AU-3 signals; otherwise, insert the value set by the R_F1_PASS[3—1] control bit, 0x74.	000
101 (0x65)	5—3	RSFEBEERRINS[3—1]	Receive Section FEBE Error Insert. Control bit, when set to a logic 1, causes a Section FEBE (B2 Error value of 0x3) to be inserted into the STS-1/AU-3 output signal; otherwise, an error is not inserted.	000
101 (0x65)	2—0	RSFEBEINH[3—1]	Receive Section FEBE Hardware Inhibit. Control bit, when set to a logic 1, inhibits the hardware insert of Section FEBE in the STS-1/AU-3 output signal; otherwise, the default value is inserted.	000
102 (0x66)	5—3	RLAISINS[3—1]	Receive Line AIS Insert. Control bit, when set to a logic 1, forces L-AIS to be inserted into the outgoing STS-1/AU-3 frame.	000
102 (0x66)	2—0	RAPSBABLEINS[3—1]	Receive APS Babble Insert. Control bit, when set to a logic 1, causes an inconsistent APS byte (K1[7:0], K2[7:3]) to be inserted into the outgoing STS-1/AU-3 frame.	000

Microprocessor Interface (continued)

Register Map (continued)

Table 71. Register 103: Receive Low-Speed L-RDI Inhibit Control (R/W)

Address Dec (Hex)	Bit	Name	Function	Reset Default
103 (0x67)	6	RTILOC_LRDIINH	Receive Transmit Input Loss-of-Clock RDI-L Inhibit. Control bits, when set to a logic 1, inhibit the associated alarm from contributing to RDI-L generation per STS-1/AU-3 frame.	0
103 (0x67)	5—3	RTLSLOF_LRDIINH[3—1]	Receive Transmit Low-Speed Loss-of-Frame RDI-L Inhibit. Same as above.	111
103 (0x67)	2—0	RTLISOOF_LRDIINH[3—1]	Receive Transmit Low-Speed Out-of-Frame RDI-L Inhibit. Same as above.	000

Table 72. Registers 104—106: Receive Low-Speed C1 Byte (R/W)

Address Dec (Hex)	Bit	Name	Function	Reset Default
104 (0x68) 105 (0x69) 106 (0x6A)	7—0	RC1DINS[1—3][7:0]	Receive C1 Data Insert. Register value is inserted into the respective STS-1/AU-3 output C1 byte.	0x00

Table 73. Registers 107—109: Receive Low-Speed F1 Byte (R/W)

Address Dec (Hex)	Bit	Name	Function	Reset Default
107 (0x6B) 108 (0x6C) 109 (0x6D)	7—0	RF1DINS[1—3][7:0]	Receive F1 Software Insert. Register value is inserted into the respective STS-1/AU-3 output F1 byte.	0x00

Table 74. Registers 110—115: Receive Low-Speed K1, K2 Byte Insert (R/W)

Address Dec (Hex)	Bit	Name	Function	Reset Default
110 (0x6E) 111 (0x6F)	7—3 7—0	RAPSINS1[12:8] RAPSINS1[7:0]	Receive APS Insert. Register value is inserted into the respective STS-1/AU-3 output K1 and K2[7:3] bytes.	0x0000
112 (0x70) 113 (0x71)	7—3 7—0	RAPSINS2[12:8] RAPSINS2[7:0]		
114 (0x72) 115 (0x73)	7—3 7—0	RAPSINS3[12:8] RAPSINS3[7:0]		
110 (0x6E) 112 (0x70) 114 (0x72)	2—0	RK2DINS[3—1][2:0]		

Microprocessor Interface (continued)

Register Map (continued)

Table 75. Registers 116—118: Receive Low-Speed Pass Control (R/W)

Address Dec (Hex)	Bit	Name	Function	Reset Default
116 (0x74)	5—3	R_F1_PASS[3—1]	Receive F1 Pass. Control bit, when set to a logic 1, allows the associated STS-3/STM-1 (AU-4) F1 byte to pass unchanged to the STS-1/AU-3 output signal; otherwise, the default value is inserted.	000
116 (0x74)	2—0	R_E1_PASS[3—1]	Receive E1 Pass. Control bit, when set to a logic 1, allows the associated STS-3/STM-1 (AU-4) E1 byte to pass unchanged to the STS-1/AU-3 output signal; otherwise, the default value is inserted.	000
117 (0x75)	5—3	R_D4TOD12_PASS[3—1]	Receive D4 to D12 Pass. Control bit, when set to a logic 1, allows the associated STS-3/STM-1 (AU-4) D4 to D12 bytes to pass unchanged to the STS-1/AU-3 output signal; otherwise, the default value is inserted.	000
117 (0x75)	2—0	R_D1TOD3_PASS[3—1]	Receive D1 to D3 Pass. Control bit, when set to a logic 1, allows the associated STS-3/STM-1(AU-4) D1 to D3 bytes to pass unchanged to the STS-1/AU-3 output signal; otherwise, the default value is inserted.	000
118 (0x76)	5—3	R_E2_PASS[3—1]	Receive E2 Pass. Control bit, when set to a logic 1, allows the associated STS-3/STM-1 (AU-4) E2 byte to pass unchanged to the STS-1/AU-3 output signal; otherwise, the default value is inserted.	000
118 (0x76)	2—0	R_S1_PASS[3—1]	Receive S1 Pass. Control bit, when set to a logic 1, allows the associated STS-3/STM-1 (AU-4) S1 byte to pass unchanged to the STS-1/AU-3 output signal; otherwise, the default value is inserted.	000

Microprocessor Interface (continued)

Register Map (continued)

Table 76. Register 127: Page Control Register (R/W)

Address Dec (Hex)	Bit	Name	Function	Reset Default
127 (0x7F)	1—0	PAGE[1:0]	Page Number. Control bits select the page accessed when an address greater than 128 is accessed: 00 = Page 0 (J1 Byte Insert/Monitor), 01 = Page 1 (Error Counters), 10 = Page 2 (BER Algorithm Parameters), 11 = Illegal Value.	00

Table 77. Page 0 - Registers 128—191: J1 Insert Parameters (R/W)

Address Dec (Hex)	Bit	Name	Function	Reset Default
128 (0x80)— 191 (0xBF)	7—0	TJ1DINS[64—1][7:0]	Transmit J1 Data Insert. Registers allow a 64-byte sequence to be inserted into the J1 byte of the STM-1(AU-4) output signal.	0x00

Table 78. Page 0 - Registers 192—255: J1 Monitor Bytes (RO)

Address Dec (Hex)	Bit	Name	Function	Reset Default
192 (0xC0)— 255 (0xFF)	7—0	RJ1MON[64—1][7:0]	Receive J1 Monitor Data. Registers capture a 64-byte sequence from the selected (J1PSELMON[1:0], 0x56) J1 byte of the STS-3/STM-1 (AU-4) input signal.	0x00

Table 79. Page 1 - Registers 128—133: STS-1/AU-3 B1 BIP Error Counters (RO)

Address Dec (Hex)	Bit	Name	Function	Reset Default
128 (0x80)— 133 (0x85)	7—0	TLSB1ECNT[1—3][15:8] TLSB1ECNT[1—3][7:0]	Transmit Low-Speed B1 Error Count. These are the B1 BIP error rate counters. These counters can either count actual BIP errors or block errors (BITBLOCKCNT, 0x34). These counters hold at their maximum values and transfer their internal counts to a holding register when LATCH_CNT, 0x04 transitions from a logic 0 to 1.	0x0000

Microprocessor Interface (continued)

Register Map (continued)

Table 80. Page 1 - Registers 134—140: STS-1/AU-3 B2 BIP Error Counters (RO)

Address Dec (Hex)	Bit	Name	Function	Reset Default
137 (0x89)— 140 (0x8C)	7—0	TLSB2ECNT[2—3][15:8] TLSB2ECNT[2—3][7:0]	Transmit Low-Speed B2 Error Count Ports 2 and 3. These are the B2 BIP error rate counters. These counters can either count actual BIP errors or block errors (BITBLOCKCNT, 0x34). These counters hold at their maximum values and transfer their internal counts to a holding register when LATCH_CNT, 0x04 transitions from a logic 0 to 1.	0x0000
134 (0x86) 135 (0x87) 136 (0x88)	1—0 7—0 7—0	TLSB2ECNT[1][17:16] TLSB2ECNT[1][15:8] TLSB2ECNT[1][7:0]	Transmit Low-Speed B2 Error Count Port 1. Same as above.	0x00000

Table 81. Page 1 - Registers 141—142: STS-3/STM-1 (AU-4) B1 Error Count (RO)

Address Dec (Hex)	Bit	Name	Function	Reset Default
141 (0x8D) 142 (0x8E)	7—0	RHSB1ECNT[15:8] RHSB1ECNT[7:0]	Receive High-Speed B1 Error Count. Counts the number of B1 errors in the received STS-3/STM-1 (AU-4) frame. This counter can either count actual BIP errors or block errors (BITBLOCKCNT, 0x34). This counter holds at its maximum value and transfers its internal count to a holding register when LATCH_CNT, 0x04 transitions from a logic 0 to 1.	0x0000

Table 82. Page 1 - Registers 143—145: STS-3/STM-1 (AU-4) B2 Error Count (RO)

Address Dec (Hex)	Bit	Name	Function	Reset Default
143 (0x8F) 144 (0x90) 145 (0x91)	1—0 7—0 7—0	RHSB2ECNT[17:16] RHSB2ECNT[15:8] RHSB2ECNT[7:0]	Receive High-Speed B2 Error Count. Counts the number of B2 errors in the received STS-3/STM-1 (AU-4) frame. This counter can either count actual BIP errors or block errors (BITBLOCKCNT, 0x34). This counter holds at its maximum value and transfers its internal count to a holding register when LATCH_CNT, 0x04 transitions from a logic 0 to 1.	0x00000

Microprocessor Interface (continued)

Register Map (continued)

Table 83. Page 1 - Registers 146—151: STS-3/STM-1 (AU-4) B3 Error Count (RO)

Address Dec (Hex)	Bit	Name	Function	Reset Default
146 (0x92)— 151 (0x97)	7—0	RHSB3ECNT[1—3][15:8] RHSB3ECNT[1—3][7:0]	Receive High-Speed B3 Error Count. Counts the number of B3 errors in the receive STS-3/STM-1 (AU-4) frame. Only counter value 1 is valid in AU-4 mode. This counter can either count actual BIP errors or block errors (BITBLOCKCNT, 0x34). This counter holds at its maximum value and transfers its internal count to a holding register when LATCH_CNT, 0x04 transitions from a logic 0 to 1.	0x0000

Table 84. Page 1 - Registers 152—163: STS-3/STM-1 (AU-4) Pointer Increment/Decrement Counter (RO)

Address Dec (Hex)	Bit	Name	Function	Reset Default
152 (0x98) 153 (0x99)	2—0 7—0	RPTR_INC1[10:8] RPTR_INC1[7:0]	Receive Pointer Increment Count. Counts the number of increments in the incoming pointer values. This counter holds at its maximum value and transfers its internal count to a holding register when LATCH_CNT, 0x04 transitions from a logic 0 to 1.	0x000
154 (0x9A) 155 (0x9B)	2—0 7—0	RPTR_INC2[10:8] RPTR_INC2[7:0]		
156 (0x9C) 157 (0x9D)	2—0 7—0	RPTR_INC3[10:8] RPTR_INC3[7:0]		
158 (0x9E) 159 (0x9F)	2—0 7—0	RPTR_DEC1[10:8] RPTR_DEC1[7:0]	Receive Pointer Decrement Count. Counts the number of decrements in the incoming pointer values. This counter holds at its maximum value and transfers its internal count to a holding register when LATCH_CNT, 0x04 transitions from a logic 0 to 1.	0x000
160 (0xA0) 161 (0xA1)	2—0 7—0	RPTR_DEC2[10:8] RPTR_DEC2[7:0]		
162 (0xA2) 163 (0xA3)	2—0 7—0	RPTR_DEC3[10:8] RPTR_DEC3[7:0]		

Table 85. Page 1 - Registers 164—166: Receive High-Speed SFEBC Count (RO)

Address Dec (Hex)	Bit	Name	Function	Reset Default
164 (0xA4) 165 (0xA5) 166 (0xA6)	1—0 7—0 7—0	RSFEBCNT[17:16] RSFEBCNT[15:8] RSFEBCNT[7:0]	Receive Section FEBC Count. Counts the number of B2 errors received in the M1 byte of the receive STS-3/STM-1 (AU-4) frame. This counter can either count actual SFEBC errors or block errors (FEBCBITBLOCKCNT, 0x34). This counter holds at its maximum value and transfers its internal count to a holding register when LATCH_CNT, 0x04 transitions from a logic 0 to 1.	0x00000

Microprocessor Interface (continued)

Register Map (continued)

Table 86. Page 1 - Registers 167—172: Receive High-Speed Path FEBE Count (RO)

Address Dec (Hex)	Bit	Name	Function	Reset Default
167 (0xA7)— 172 (0xAC)	7—0	RPFEBECNT[1—3][15:8] RPFEBECNT[1—3][7:0]	Receive Path FEBE Count. Counts the number of B3 errors received in the G1[7:4] bits of the received STS-3/STM-1 (AU-4) frame. This counter can either count actual PFEBE errors or block errors (FEBEBITBLOCKCNT, 0x34). This counter holds at its maximum value and transfers its internal count to a holding register when LATCH_CNT, 0x04 transitions from a logic 0 to 1.	0x0000

Table 87. Page 2 - Register 131 (R/W)

Address Dec (Hex)	Bit	Name	Function	Reset Default
131 (0x83)	7	SDB1B2SEL	Signal Degrade B1/B2 Error Count Select. Control bit, when set to a logic 0, causes the signal degrade bit error rate algorithm to use B1 errors; otherwise, B2 errors are used to calculate the error rate.	0

Microprocessor Interface (continued)

Register Map (continued)

Table 88. Page 2 - Registers 128—141 (R/W)

Set parameters are used when **RHSSD** = 0, and the clear parameters are used when **RHSSD** = 1.

Address Dec (Hex)	Bit	Name	Function	Reset Default
128 (0x80) 129 (0x81) 130 (0x82)	2—0 7—0 7—0	SDNsSet[18:16] SDNsSet[15:8] SDNsSet[7:0]	Signal Degrade Ns Set. Number of frames in a monitoring block for RHSSD, 0x1B.	0x00000
131 (0x83)	3—0	SDLSet[3:0]	Signal Degrade L Set. Error threshold for determining if a monitoring block is bad.	0x0
132 (0x84)	7—0	SDMSet[7:0]	Signal Degrade M Set. Threshold of the number of bad monitoring blocks in an observation interval. If the number of bad blocks is above this threshold, then RHSSD, 0x1B is set.	0x00
133 (0x85) 134 (0x86)	7—0 7—0	SDBSet[15:8] SDBSet[7:0]	Signal Degrade B Set. Number of monitoring blocks.	0x0000
135 (0x87) 136 (0x88) 137 (0x89)	2—0 7—0 7—0	SDNsClear[18:16] SDNsClear[15:8] SDNsClear[7:0]	Signal Degrade Ns Clear. Number of frames in a monitoring block for RHSSD, 0x1B.	0x00000
138 (0x8A)	3—0	SDLClear[3:0]	Signal Degrade L Clear. Error threshold for determining if a monitoring block is bad.	0x0
139 (0x8B)	7—0	SDMClear[7:0]	Signal Degrade M Clear. Threshold of the number of good monitoring blocks in an observation interval. If the number of good blocks is above this threshold, then RHSSD, 0x1B is cleared.	0x00
140 (0x8C) 141 (0x8D)	7—0 7—0	SDBCclear[15:8] SDBCclear[7:0]	Signal Degrade B Clear. Number of monitoring blocks.	0x0000

Note: The thresholds written by the control system shall be one less than the desired number, except for the **SDLSet/Clear[3:0]** parameter.

Timing requirements:

When **SDSET (0x04)** is set to a 1, the device sets **RHSSD** = 1, clears all remaining internal variables and counters of the **RHSSD** algorithm, and initializes the algorithm to enable recovery declaration.

When **SDCLEAR (0x04)** is set to a 1, the device sets **RHSSD** = 0, clears all remaining internal variables and counters of the **RHSSD** algorithm and initializes the algorithm to enable failure declaration.

If **SDSET** OR **SDCLEAR** is cleared to 0, do nothing.

If **SDSET** AND **SDCLEAR** are simultaneously set to 1, do nothing.

BER algorithm:

while (SDL = 0) then

disable algorithm and set **RHSSD**, **RHSSDD** = 0.

Microprocessor Interface (continued)

Register Map (continued)

If (**SDB1B2SEL** = 0) then use B1 BIP errors in BERR algorithm else

use B2 BIP errors in BERR algorithm end if;

if (NEWFRAME) then

{

INCR (FRAMECNTR)

BIPERR = BIPERR + NEWERR

if (BIPERR > **SDL**) then

BIPERR = **SDL**

if (FRAMECNTR = **SDNs**) then -- Number of frames in monitoring block

{

RESET (FRAMECNTR)

if (BIPERR ≥ **SDL**) then

BLOCK = 1 /* indicates bad monitoring period. */

else

BLOCK = 0 /* indicates good monitoring period. */

INCR (BTOTCNTR)

RESET (BIPERR)

If (**RHSSD** = 0) then

{

if (BLOCK = 1) then

{

INCR (BMONCNTR)

if (BMONCNTR ≥ **SDM**) then

{

RHSSD = 1; **RHSSDD** = 1

RESET (BMONCNTR); RESET (BTOTCNTR)

}

}

else if (BTOTCNTR = **SDB**) then

}

RESET (BMONCNTR); RESET (BTOTCNTR)

}

}

Microprocessor Interface (continued)**Register Map** (continued)

```

    if (RHSSD = 1) then
    {
        if (BLOCK = 0) then
        {
            INCR (BMONCNTR)
            if (BMONCNTR ≥ SDM) then
            {
                RHSSD = 0; RHSSDD = 1
                RESET (BMONCNTR); RESET (BTOTCNTR)
            }
        }
        else if (BTOTCNTR = SDB) then
        {
            RESET (BMONCNTR); RESET (BTOTCNTR)
        }
    }
}

```

WHERE:

NEWFRAME = checks for frame sync signal (internal) to reinitiate BER calculation.

FRAMECNTR = count of number of frames since the start of the latest monitoring period.

BIPERR = number of composite B1 or B2 errors so far in latest monitoring period.

NEWERR = number of composite B1 or B2 errors calculated in latest frame.

BLOCK = indication of good (0) or bad (1) latest monitoring period.

BTOTCNTR = count of current total number of monitoring periods (good or bad) in latest observation interval.

BMONCNTR = count of current number of:

bad monitoring periods in latest observation interval if **RHSSD = 0**,

good monitoring periods in latest observation interval if **RHSSD = 1**.

Microprocessor Interface (continued)

Register Map (continued)

Table 89. Page 2 - Register 145 (R/W)

Address Dec (Hex)	Bit	Name	Function	Reset Default
145 (0x91)	7	SFB1B2SEL	Signal Fail B1/B2 Error Count Select. Control bit, when set to a logic 0, causes the signal fail bit error rate algorithm to use B1 errors; otherwise, B2 errors are used to calculate the error rate.	0

Table 90. Page 2 - Registers 142—155 (R/W)

The set parameters are used when **RHSSF** = 0, and the clear parameters are used when **RHSSF** = 1.

Address Dec (Hex)	Bit	Name	Function	Reset Default
142 (0x8E) 143 (0x8F) 144 (0x90)	2—0 7—0 7—0	SFNsSet[18:16] SFNsSet[15:8] SFNsSet[7:0]	Signal Fail Ns Set. Number of frames in a monitoring block for RHSSF, 0x1B.	0x0000
145 (0x91)	3—0	SFLSet[3:0]	Signal Fail L Set. Error threshold for determining if a monitoring block is bad.	0x0
146 (0x92)	7—0	SFMSet[7:0]	Signal Fail M Set. Threshold of the number of bad monitoring blocks in an observation interval. If the number of bad blocks is above this threshold, then RHSSF, 0x1B is set.	0x00
147 (0x93) 148 (0x94)	7—0	SFBSet[15:8] SFBSet[7:0]	Signal Fail B Set. Number of monitoring blocks.	0x0000
150 (0x96) 151 (0x97) 152 (0x98)	2—0 7—0 7—0	SFNsClear[18:16] SFNsClear[15:8] SFNsClear[7:0]	Signal Fail Ns Clear. Number of frames in a monitoring block for RHSSF, 0x1B.	0x0000
152 (0x98)	3—0	SFLClear[3:0]	Signal Fail L Clear. Error threshold for determining if a monitoring block is bad.	0x0
153 (0x99)	7—0	SFMClear[7:0]	Signal Fail M Clear. Threshold of the number of good monitoring blocks in an observation interval. If the number of good blocks is above this threshold, then RHSSF, 0x1B is cleared.	0x00
154 (0x9A) 155 (0x9B)	7—0	SFBClear[15:8] SFBClear[7:0]	Signal Fail B Clear. Number of monitoring blocks.	0x0000

Note: The thresholds written by the control system shall be one less than the desired number, except for the **SFLSet/Clear[3:0]** parameter.

Microprocessor Interface (continued)**Register Map** (continued)

Timing requirements:

When **SFSET** is set to a 1, the device sets **RHSSF** = 1, clears all remaining internal variables and counters of the **RHSSF** algorithm and initializes the algorithm to enable recovery declaration.

When **SFCLEAR** is set to a 1, set **RHSSF** = 0, clears all remaining internal variables and counters of the **RHSSF** algorithm, and initializes the algorithm to enable failure declaration.

If **SFSET** OR **SFCLEAR** is cleared to a 0, do nothing.

If **SFSET** AND **SFCLEAR** are simultaneously set to a 1, do nothing.

BER algorithm:

While (**SFL** = 0) then

disable algorithm and set **RHSSF**, **RHSSFD** = 0.

Microprocessor Interface (continued)

Register Map (continued)

if (SFB1B2SEL = 0) then use B1
BIP errors in BER algorithm else
use B2 BIP errors.
if (NEWFRAME) then

```
{
    INCR (FRAMECNTR)
    BIPERR = BIPERR + NEWERR
    if (BIPERR > SFL) then
        BIPERR = SFL
    if (FRAMECNTR = SFNs) then
        {
            RESET (FRAMECNTR)
            if (BIPERR ≥ SFL) then
                BLOCK = 1                /* indicates bad monitoring period. */
            else
                BLOCK = 0                /* indicates good monitoring period. */
            INCR (BTOTCNTR)
            RESET (BIPERR)

            If (RHSSF = 0) then
                {
                    if (BLOCK = 1) then
                        {
                            INCR (BMONCNTR)
                            if (BMONCNTR ≥ SFM) then
                                {
                                    RHSSF = 1; RHSSFD = 1
                                    RESET (BMONCNTR); RESET (BTOTCNTR)
                                }
                            }
                        }
                    else if (BTOTCNTR = SFB3) then
                        {
                            RESET (BMONCNTR); RESET (BTOTCNTR)
                        }
                }
        }
}
```

Microprocessor Interface (continued)**Register Map** (continued)

```

    if (RHSSF = 1) then
    {
        if (BLOCK = 0) then
        {
            INCR (BMONCNTR)
            if (BMONCNTR ≥ MSF) then
            {
                RHSSF = 0; RHSSFD = 1
                RESET (BMONCNTR); RESET (BTOTCNTR)
            }
        }
        else if (BTOTCNTR = BSF) then
        {
            RESET (BMONCNTR); RESET (BTOTCNTR)
        }
    }
}

```

Where:

NEWFRAME = checks for frame sync signal (internal) to reinitiate BER calculation.

FRAMECNTR = count of number of frames since the start of the latest monitoring period.

BIPERR = number of composite B2 errors so far in latest monitoring period.

NEWERR = number of composite B2 errors calculated in latest frame.

BLOCK = indication of good(0) or bad(1) latest monitoring period.

BTOTCNTR = count of current total number of monitoring periods (good or bad) in latest observation interval.

BMONCNTR = count of current number of:

bad monitoring periods in latest observation interval if **RHSSF** = 0,

good monitoring periods in latest observation interval if **RHSSF** = 1.

Microprocessor Interface (continued)

I/O Timing

The I/O timing specifications for the microprocessor interface are given in Table 92. The microprocessor interface pins use CMOS I/O levels. All outputs, except the address/data bus AD[7:0], are rated for a capacitive load of 50 pF. The AD[7:0] outputs are rated for a 100 pF load. The minimum read and write cycle time is 200 ns for all device configurations.

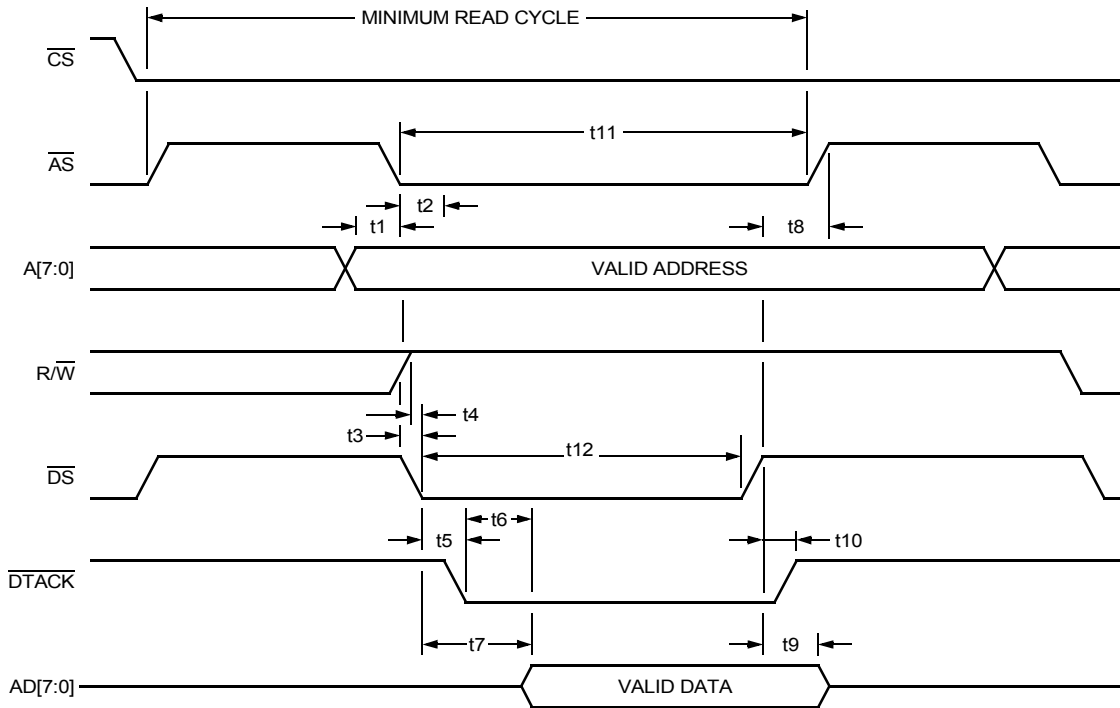
Table 91. Microprocessor Interface I/O Timing Specifications

Symbol	Configuration	Parameter	Setup (ns) (Min)	Hold (ns) (Min)	Delay (ns) (Max)
t1	MODES 1 and 2	Address Valid to \overline{AS} Asserted (Read, Write)	5	—	—
t2		\overline{AS} Asserted to Address Invalid (Read, Write)	—	10	—
t3		\overline{AS} Asserted to \overline{DS} Asserted	0	—	—
t4		R/\overline{W} High (Read) to \overline{DS} Asserted	25	—	—
t5		\overline{DS} Asserted (Read, Write) to \overline{DTACK} Asserted	—	—	20
t6		\overline{DTACK} Asserted to Data Valid (Read)	—	—	24
t7		\overline{DS} Asserted (Read) to Data Valid	—	—	44
t8		\overline{DS} Negated (Read, Write) to \overline{AS} Negated	—	—	—
t9		\overline{DS} Negated (Read) to Data Invalid	—	—	15
t10		\overline{DS} Negated (Read) to \overline{DTACK} Negated	—	—	15
t11		\overline{AS} (Read, Write) Asserted Width	—	55	—
t12		\overline{DS} (Read) Asserted Width	—	25	—
t13		\overline{AS} Asserted to R/\overline{W} Low (Write)	7	—	—
t14		R/\overline{W} Low (Write) to \overline{DS} Asserted	20	—	—
t15		Data Valid to \overline{DS} Asserted (Write)	7.5	—	—
t16		\overline{DS} Negated to \overline{DTACK} Negated (Write)	—	—	20
t17		\overline{DS} Negated to Data Invalid (Write)	—	—	7.5
t18		\overline{DS} (Write) Asserted Width	—	30	—
t19	MODES 3 and 4	Address Valid to ALE Asserted Low (Read, Write)	15	—	—
t20		ALE Asserted Low (Read, Write) to Address Invalid	—	10	—
t21		ALE Asserted Low to \overline{RD} Asserted (Read)	30	—	—
t22		\overline{RD} Asserted (Read) to Data Valid	—	—	90
t23		\overline{RD} Asserted (Read) to RDY Asserted	—	—	75
t24		\overline{RD} Negated to Data Invalid (Read)	—	—	15
t25		\overline{RD} Negated to RDY Negated (Read)	—	—	25
t26		ALE Asserted Low to \overline{WR} Asserted (Write)	35	—	—
t27		\overline{CS} Asserted to RDY Asserted Low	—	—	16
t28		Data Valid to \overline{WR} Asserted (Write)	25	—	—
t29		\overline{WR} Asserted (Write) to RDY Asserted	—	—	73
t30		\overline{WR} Negated to RDY Negated (Write)	—	—	22
t31		\overline{WR} Negated to Data Invalid	—	25	—
t32		ALE Asserted (Read, Write) Width	—	150	—
t33		\overline{RD} Asserted (Read) Width	—	100	—
t34		\overline{WR} Asserted (Write) Width	—	100	—

The read and write timing diagrams for all four microprocessor interface modes are shown in Figures 7—14.

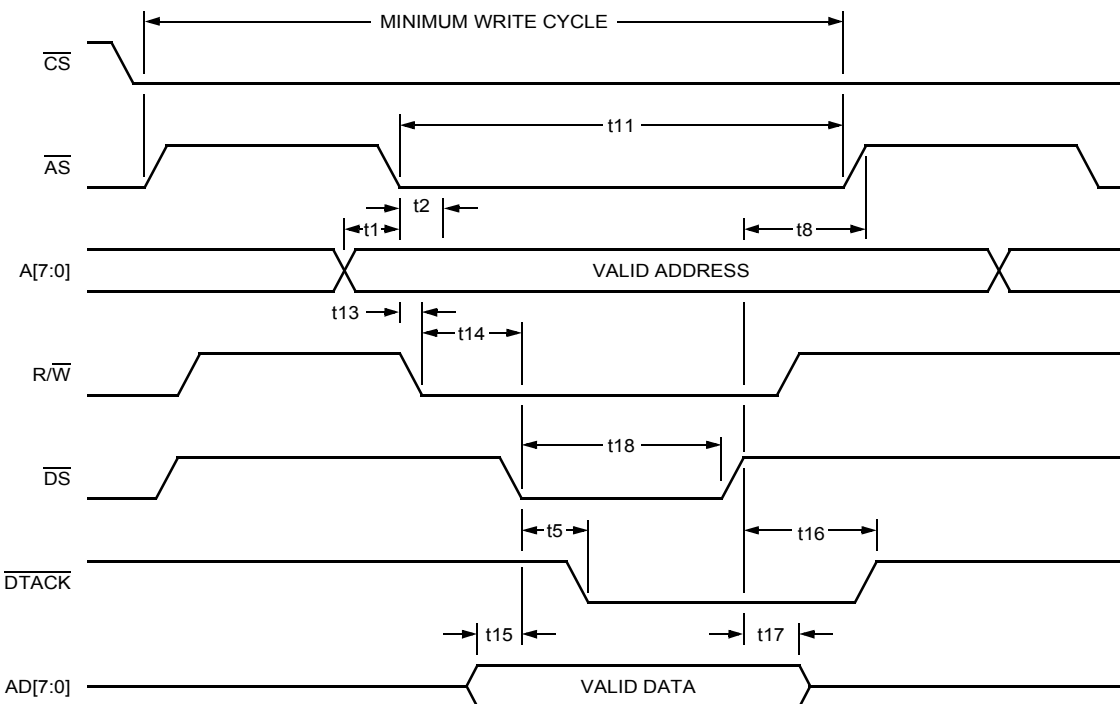
Microprocessor Interface (continued)

I/O Timing (continued)



5-3685(F).br.4

Figure 7. MODE 1—Read Cycle Timing (MPMODE = 0, MPMUX = 0)

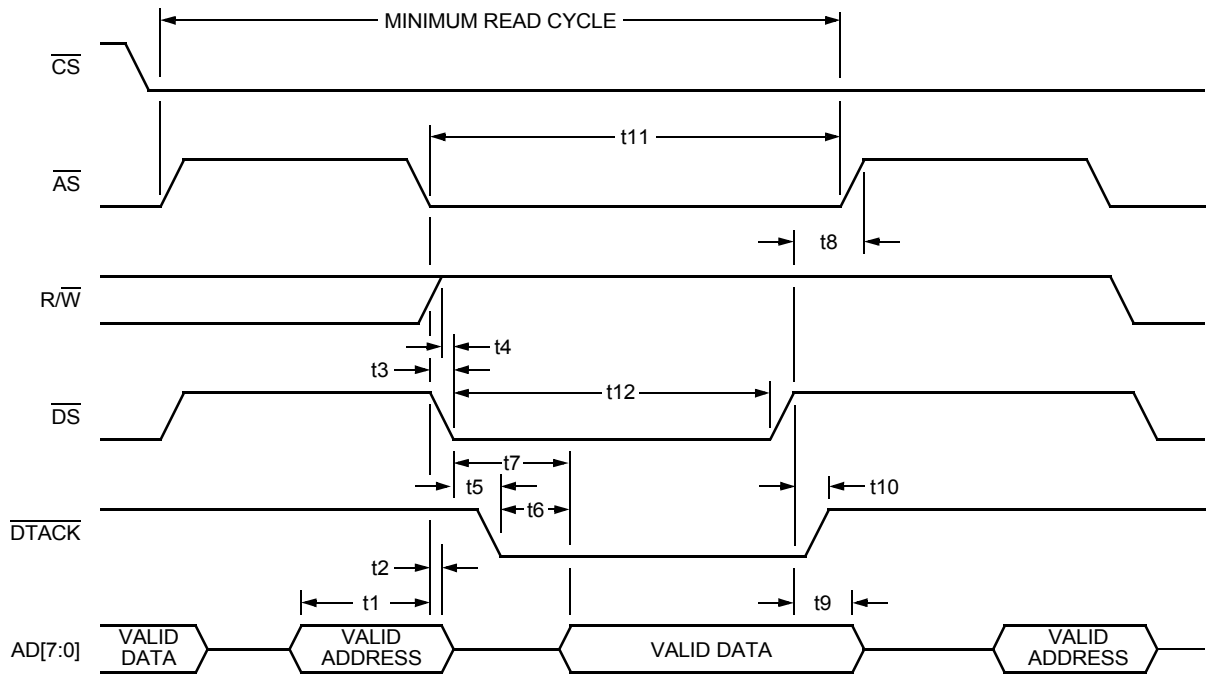


5-3686(F).br.5

Figure 8. MODE 1—Write Cycle Timing (MPMODE = 0, MPMUX = 0)

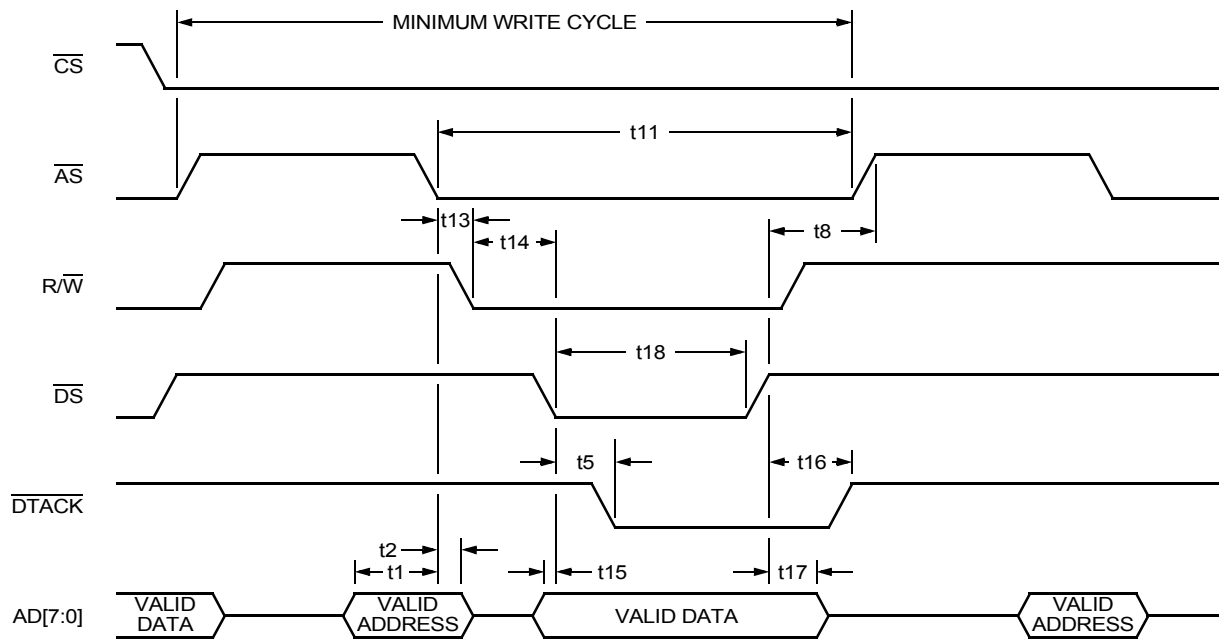
Microprocessor Interface (continued)

I/O Timing (continued)



5-3687(F)r.12

Figure 9. MODE 2—Read Cycle Timing (MPMODE = 0, MPMUX = 1)

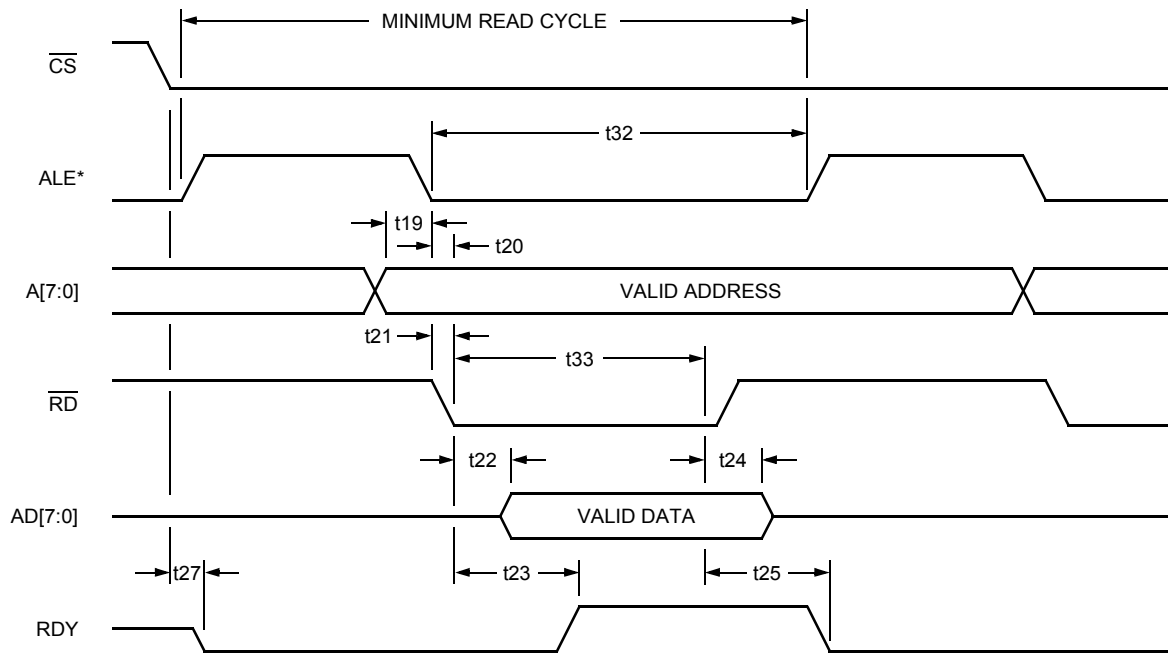


5-3688(F)r.12

Figure 10. MODE 2—Write Cycle Timing (MPMODE = 0, MPMUX = 1)

Microprocessor Interface (continued)

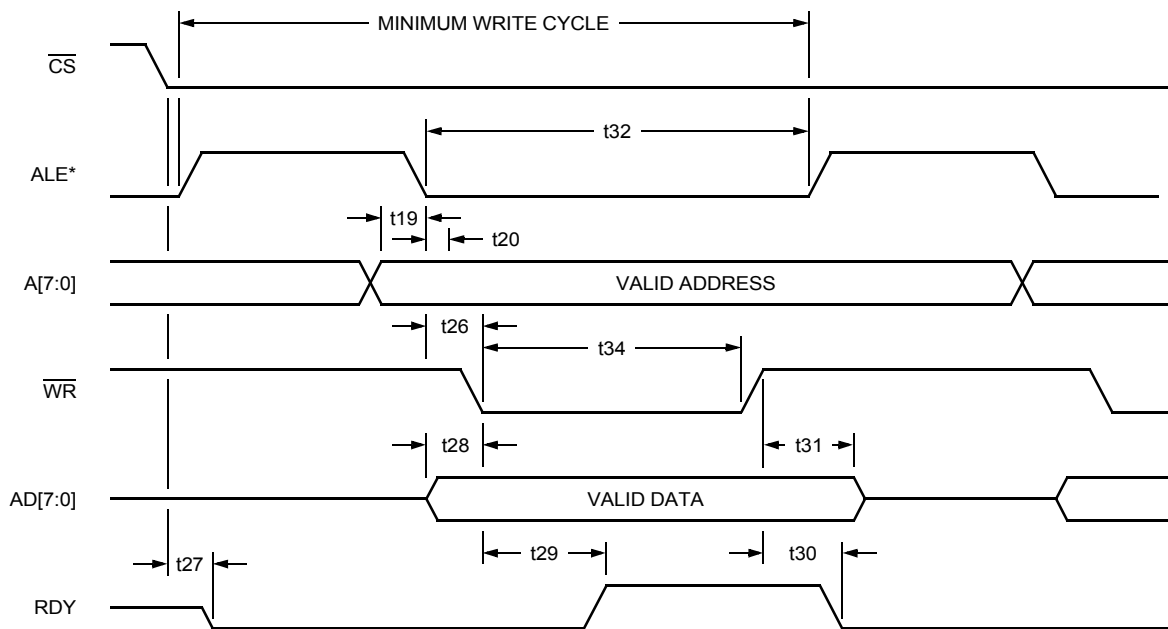
I/O Timing (continued)



5-3689(F),b

* If ALE is not used, the A[7:0] address bus must be valid t21 ns before \overline{RD} is asserted low, and stay valid t25 ns after \overline{RD} rises.

Figure 11. MODE 3—Read Cycle Timing (MPMODE = 1, MPMUX = 0)



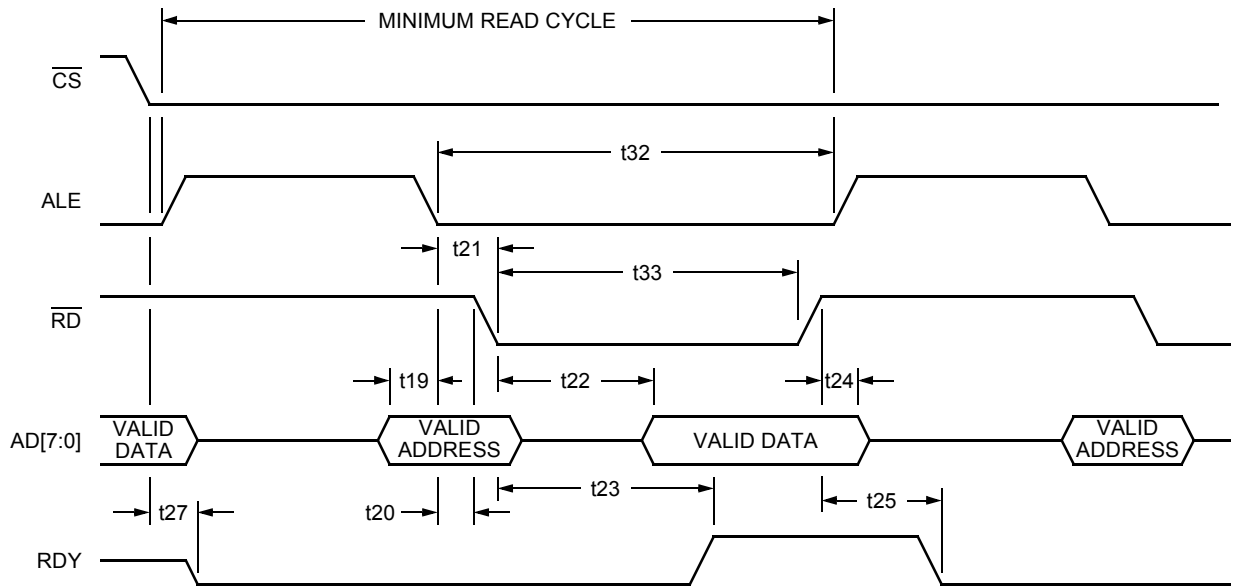
5-3690(F),dr.4

* If ALE is not used, the A[7:0] address bus must be valid t26 ns before \overline{WR} is asserted low, and stay valid t31 ns after \overline{WR} rises.

Figure 12. MODE 3—Write Cycle Timing (MPMODE = 1, MPMUX = 0)

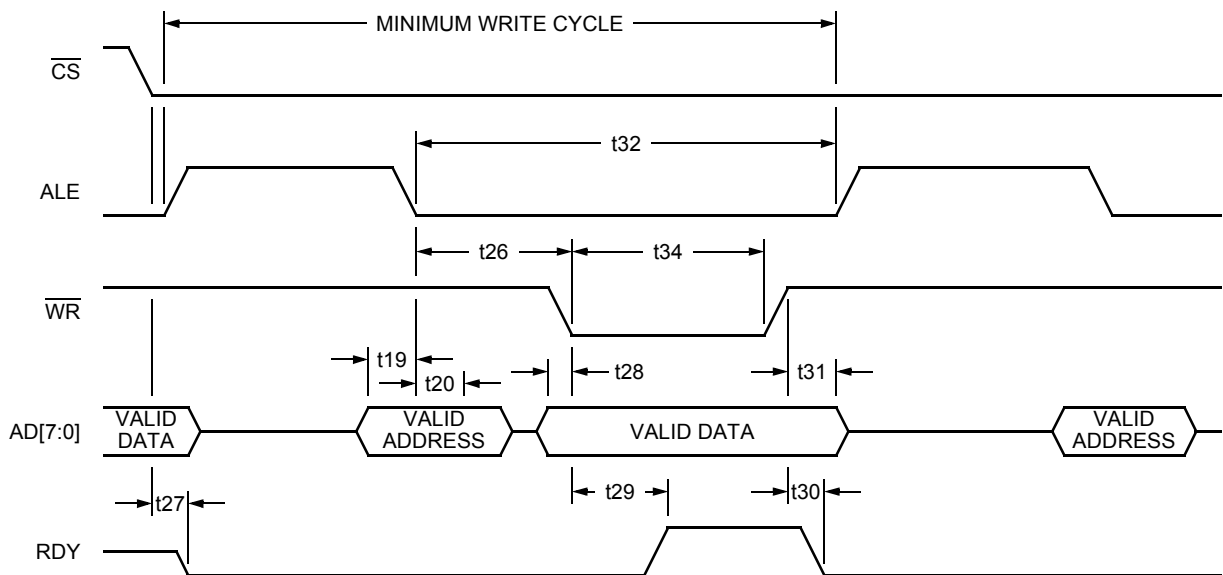
Microprocessor Interface (continued)

I/O Timing (continued)



5-3691(F)r.12

Figure 13. MODE 4—Read Cycle Timing (MPMODE = 1, MPMUX = 1)



5-3692(F)r.13

Figure 14. MODE 4—Write Cycle Timing (MPMODE = 1, MPMUX = 1)

Absolute Maximum Ratings

Stresses in excess of the absolute maximum ratings can cause permanent damage to the device. These are absolute stress ratings only. Functional operation of the device is not implied at these or any other conditions in excess of those given in the operational sections of the data sheet. Exposure to absolute maximum ratings for extended periods can adversely affect device reliability.

Parameter	Symbol	Min	Max	Unit
dc Supply Voltage Range	V _{DD}	-0.5	4.6	V
Power Dissipation	P _D	—	—	mW
Storage Temperature Range	T _{stg}	-65	125	°C
Ambient Operating Temperature Range	T _A	-40	85	°C
Maximum Voltage (digital input pins) with Respect to REF5VTOL	—	—	0.3	V
Minimum Voltage (digital input pins) with Respect to V _{SS}	—	-0.3	—	V

Handling Precautions

Although protection circuitry has been designed into this device, proper precautions should be taken to avoid exposure to electrostatic discharge (ESD) during handling and mounting. Agere employs a human-body model (HBM) and charged-device model (CDM) for ESD-susceptibility testing and protection design evaluation. ESD voltage thresholds are dependent on the circuit parameters used in the defined model. No industry-wide standard has been adopted for the CDM. However, a standard HBM (resistance = 1500 W, capacitance = 100 pF) is widely used and, therefore, can be used for comparison purposes. The HBM ESD threshold presented here was obtained by using these circuit parameters:

Device	Voltage
TMUX03155	2500 V

Operating Conditions

The following tables list the voltages required for proper operation of the TMUX03155 device, along with their tolerances.

Table 92. Recommended Operating Conditions

Parameter	Symbol	Min	Typ	Max	Unit
Power	VDD	3.14	3.3	3.47	V
Ground	VSS	—	0.0	—	V
Input Voltage, High	VIH	—	VDD – 1.0	REF5VTOL	V
Input Voltage, Low	VIL	—	VSS	1.0	V
5 V Tolerant Reference Voltage ¹	REF5VTOL	4.75	5.0	5.25	V
3.3 V Tolerant Reference Voltage*		3.14	3.3	3.47	V
1.0 V: LVDS Reference ²	LVDS_REF10	—	1.0	—	V
1.4 V: LVDS Reference [†]	LVDS_REF14	—	1.4	—	V

1. This input should be connected to 5.0 V when the device interfaces with 5 V and 3.3 V signals, or 3.3 V when the device only interfaces with 3.3 V signals.

2. Use internal reference voltages if LVDS_REFSEL = 0 or external voltage tolerance is > ±5%.

Table 93. Power Measurements (VDD = 3.3 V, 23 °C)

Device Mode	Power	Unit
STS-3/AU-4 to/from STS-1/AU-3	600 610 ¹	mW
STS-1/AU-3 to STS-3/AU-4 Loopback (THS2RHSLB = 1)	570	mW
Standby	550	mW

1. 85 °C ambient temperature (not case temperature).

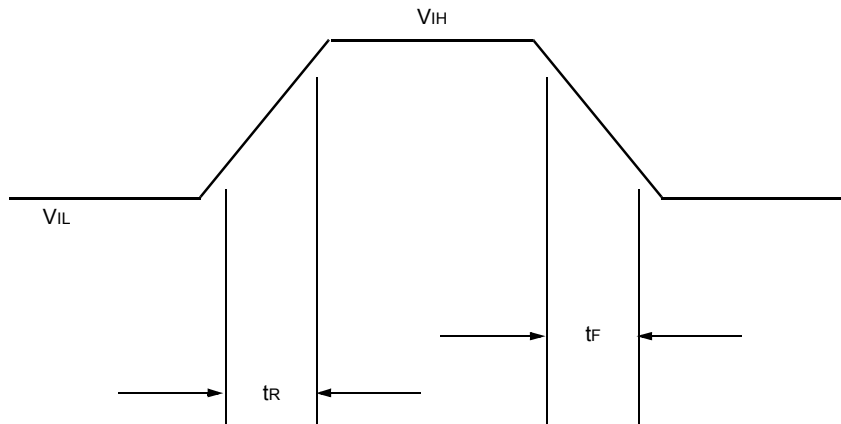
Electrical Characteristics

Table 94. Logic Interface Characteristics

Parameter	Symbol	Test Conditions	Min	Max	Unit
Input Leakage	IL	—	—	1.0	μA
Output Current*:					
Low	IOL	—	—	2	mA
High	IOH	—	—	2	mA
Output Voltage:					
Low	VOL	—	VSS	0.5	V
High	VOH	—	VDD – 0.5	REF5VTOL	V
Input Capacitance	CI	—	—	1.5	pF

* All outputs are 2 mA except TLSSPEO, TLSJ0J1VV1TIMEO, TLSV1TIMEO, THSSSYNCO, THSDATA[7:0]O, THSPARO, RLSJ0TIMEO, RLSDATA[7:0]O, and RLSPARO which are 4 mA buffers.

The input specification for the remaining (nonbalanced) inputs are specified in Figure 15. See Operational Timing on page 110



5-6032(F)r.2

Figure 15. Single-Ended Input Specification

Electrical Characteristics (continued)

Table 95. LVDS Interface Characteristics

3.3 V \pm 5% VDD, 0—125 °C, slow—fast process.

Parameter	Symbol	Test Conditions	Min	Typ	Max	Unit
Input Buffer Parameters						
Input Voltage Range, V _{IA} or V _{IB}	V _I	V _{GPD} < 925 mV, dc—1 MHz	0.0	1.2	2.4	V
Input Differential Threshold	V _{IDTH}	V _{GPD} < 925 mV, 311 MHz	−100	—	100	mV
Input Differential Hysteresis	V _{HYST}	(+V _{IDTH}) − (−V _{IDTH})	—	—	—*	mV
Receiver Differential Input Impedance	R _{IN}	With build-in termination, center-tapped	80	100	120	Ω
Output Buffer Parameters						
Output Voltage: Low (V _{OA} or V _{OB})	V _{OL}	R _{LOAD} = 100 Ω \pm 1%	—	—	1.475	V
High (V _{OA} or V _{OB})	V _{OH}	R _{LOAD} = 100 Ω \pm 1%	0.925	—	—	V
Output Differential Voltage	V _{OD}	R _{LOAD} = 100 Ω \pm 1%	0.25	—	0.40	V
Output Offset Voltage	V _{OS}	R _{LOAD} = 100 Ω \pm 1%	1.125	—	1.275	V
Output Impedance, Single Ended	R _O	V _{CM} = 1.0 V and 1.4 V	40	50	60	Ω
R _O Mismatch Between A and B	Δ R _O	V _{CM} = 1.0 V and 1.4 V	—	—	10	%
Change in Differential Voltage Between Complementary States	Δ V _{OD}	R _{LOAD} = 100 Ω \pm 1%	—	—	25	mV
Change in Output Offset Voltage Between Complementary States	Δ V _{OS}	R _{LOAD} = 100 Ω \pm 1%	—	—	25	mV
Output Current	I _{SA} , I _{SB}	Driver shorted to V _{SS}	—	—	24	mA
Output Current	I _{SAB}	Drivers shorted together	—	—	12	mA

* Buffer will not produce output transition when input is open-circuited.

Timing Characteristics

Operational Timing

The operational timing parameters can be grouped separately for clocks, inputs, and outputs. Table 96 lists the input clock specifications for this device. The rise and fall times refer to the transition times from 10% to 90% of full swing. (For definitions of the signal names, see the pin descriptions in Table 1, pages 10—15.)

Table 96. Input Clock Specifications

Symbol	Parameter	Signal Name	Min	Max	Unit
fOP	Operating Frequency	THSSCLKIT/C ¹	—	155.52 + 0.4%	MHz
		THSCLKI	—	38.88/19.44 + 1%	MHz
		RHSSCLKIT/C*	—	155.52 + 0.5%	MHz
		RHSCLK	—	38.88/19.44 + 1%	MHz
		TCLK	—	0.5—12 + 1%	MHz
tCLKH	Clock Pulse High Time	THSSCLKIT/C*	2.5	—	ns
		THSCLKI	11.0/22.0	—	ns
		RHSSCLKIT/C*	2.5	—	ns
		RHSCLK	11.0/22.0	—	ns
		TCLK	30	—	ns
tR	Rise Time	THSSCLKIT/C*	1.5	—	ns
		THSCLKI	3.5	—	ns
		RHSSCLKIT/C*	1.5	—	ns
		RHSCLK	3.5	—	ns
		TCLK	15	—	ns
tF	Fall Time	THSSCLKIT/C*	1.5	—	ns
		THSCLKI	3.5	—	ns
		RHSSCLKIT/C*	1.5	—	ns
		RHSCLK	3.5	—	ns
		TCLK	15	—	ns

1. When the true and complement inputs are floating, the input buffer will not oscillate.

Timing Characteristics (continued)

Operational Timing (continued)

The following table lists input setup and hold times and reference clocks. (See Figure 17, Interface Data Timing, on page 115.)

Table 97. Input Timing Specifications

Input Name	Reference CLK	Setup Time (tsu)		Hold Time (th)		Unit
		Min	Max	Min	Max	
Transmit Signals						
THSSJ0J1V1IT/C*	THSSCLKIT/C ↑	2.0	—	0.0	—	ns
THSJ0J1V1I	THSCLKI ↑	2.0	—	0.0	—	ns
Transmit Low-Speed Signals						
TLSDATA[7:0]I	TLSCLKO ↑	5.0	—	0.0	—	ns
TLSPARI	TLSCLKO ↑	5.0	—	0.0	—	ns
Transmit TOAC						
TTOACDATAI	TTOACCLKO ↑↓	10.0	—	10.0	—	ns
Receive Signals						
RHSSDATAIT/C ¹	RHSSCLKIT/C ↑↓	2.0	—	0.0	—	ns
RHSDATA[7:0]I	RHSCLKI ↑	5.0	—	0.0	—	ns
RHSPARI	RHSCLKI ↑	5.0	—	0.0	—	ns
RHSLOSEXTI	NA	ASYNC	—	ASYNC	—	ns
JTAG and SCAN						
TDI	TCLK ↑	15	—	15	—	ns
TMS	TCLK ↑	15	—	15	—	ns
$\overline{\text{TRST}}$	NA	ASYNC	—	ASYNC	—	ns
SCAN_EN	NA	ASYNC	—	ASYNC	—	ns
TEST_MODE	NA	ASYNC	—	ASYNC	—	ns
Miscellaneous						
MODE [1:0]	NA	ASYNC	—	ASYNC	—	ns
$\overline{\text{RESET}}$	NA	ASYNC	—	ASYNC	—	ns
$\overline{\text{ICT}}$	NA	ASYNC	—	ASYNC	—	ns

1. When the true and complement inputs are floating, the input buffer will not oscillate.

Timing Characteristics (continued)

Operational Timing (continued)

The following diagram defines the signal structure of the input signal THSJ0J1V1I.

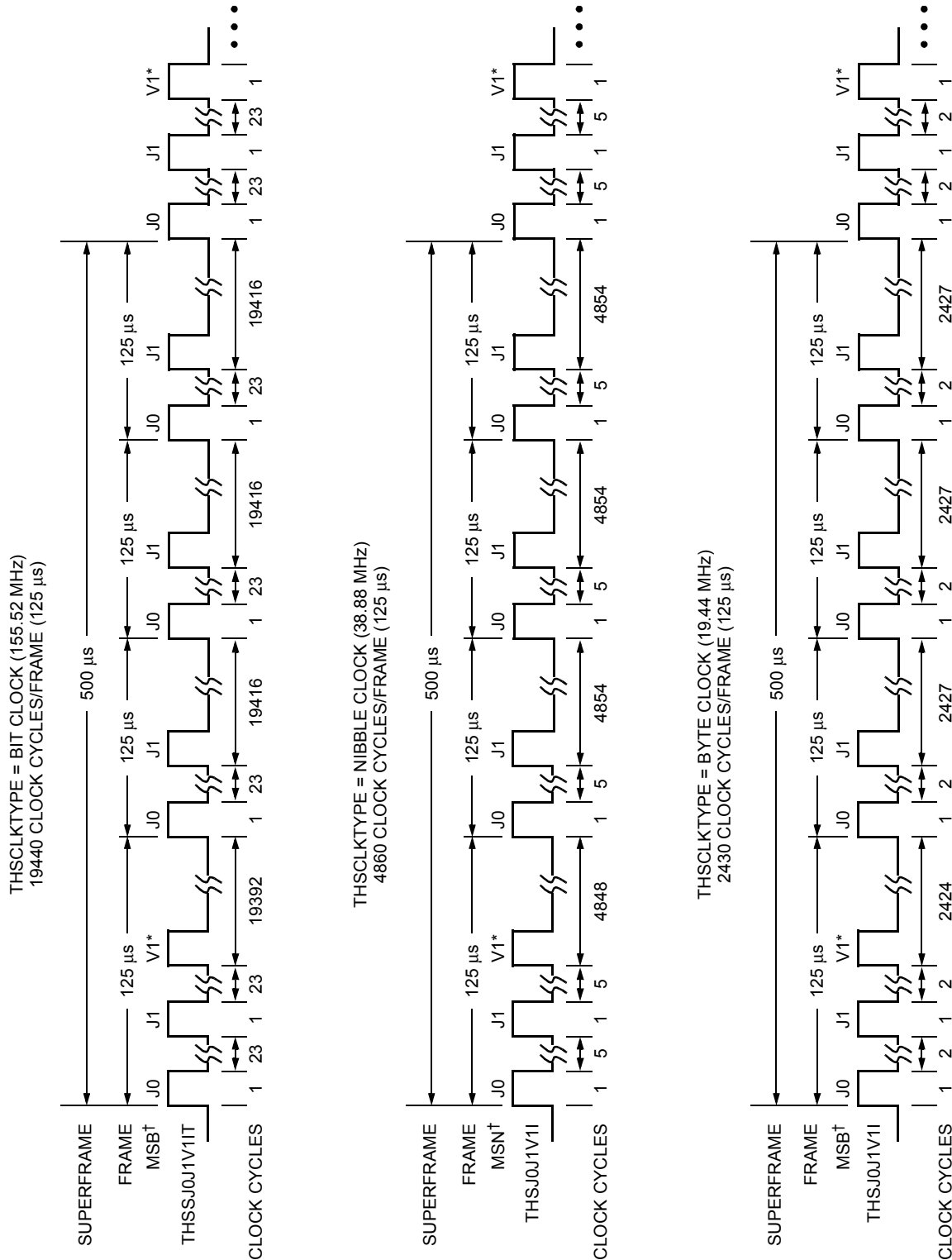


Figure 16. THSJ0J1V1I Signal Structure Definition

Timing Characteristics (continued)

Operational Timing (continued)

The output clock specifications are shown in Table 98.

Table 98. Output Clock Specifications

Signal Name	Reference CLK ¹	Frequency ²	Test Conditions	Rise Time		Fall Time		Unit
				t _R		t _F		
				Min	Max	Min	Max	
TLSCLKO	THSSCLKIT/C or THSCLKI	19.44 MHz ± 5%	CL = 50 pF	—	3.5	—	3.5	ns
THSSCLKO	THSSCLKIT/C	155.52 MHz ± 3%	CL = 15 pF	—	1.5	—	1.5	ns
THSCLKO	THSSCLKIT/C or THSCLKI	38.88 MHz ± 5% or 19.44 MHz ± 5%	CL = 15 pF	—	3.5	—	3.5	ns
TTOACCLKO	THSSCLKIT/C or THSCLKI	5.184 MHz ± 5%	CL = 15 pF	—	3.5	—	3.5	ns
RLSCLKO	RHSSCLKIT/C or RHSCLKI or Internal CDR Clock	19.44 MHz ± 5%	CL = 50 pF	—	3.5	—	3.5	ns
RTOACCLKO	RHSSCLKIT/C or RHSCLKI or Internal CDR Clock	5.184 MHz ± 5%	CL = 15 pF	—	3.5	—	3.5	ns

1. The specifications for the table are with all loopbacks disabled.

2. The frequency percentages refer to the respective duty cycles.

Timing Characteristics (continued)

Operational Timing (continued)

The following table lists the propagation delay specifications for the outputs. (See Figure 17, Interface Data Timing, on page 115.)

Table 99. Output Timing Specifications

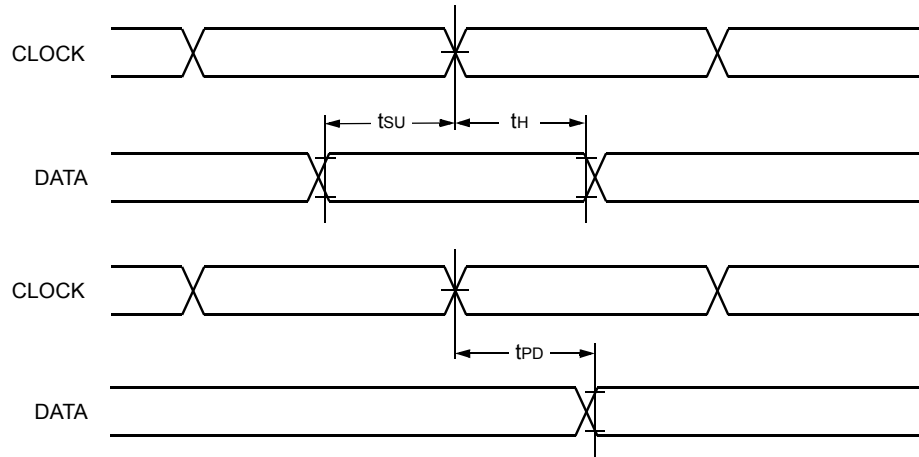
Output Name	Reference CLK	Test Conditions	Propagation Delay		Unit
			tPD		
			Min	Max	
Transmit Low-Speed Signals					
TLSSPEO	TLSCLKO ↑	CL = 50 pF	4.0	12.0	ns
TLSJ0J1V1TIMEO	TLSCLKO ↑	CL = 50 pF	4.0	12.0	ns
TLSV1TIMEO	TLSCLKO ↑	CL = 50 pF	4.0	12.0	ns
Transmit High-Speed Signals					
THSSCLKIT/C	THSSCLKOT/C	CL = 15 pF	0.0	6.4	ns
THSSSYNCOT/C*	THSSCLKOT/C ↑	CL = 15 pF	0.6	2.9	ns
THSSDATAOT/C*	THSSCLKOT/C ↑	CL = 15 pF	0.6	2.9	ns
THSSYNCO	THSCLKO ↑	CL = 15 pF	3.0	6.0	ns
THSDATA[7:0]O	THSCLKO ↑	CL = 15 pF	3.0	6.0	ns
THSPARO	THSCLKO ↑	CL = 15 pF	3.0	6.0	ns
THSCLKI	THSCLKO ↑	CL = 15 pF	3.0	7.8	ns
Transmit TOAC Signal					
TTOACSYNCO	TTOACCLKO ↑↓	CL = 15 pF	10.0	30.0	ns
Receive Low-Speed Signals					
RLSJ0TIMEO	RLSCLKO ↑	CL = 50 pF	4.0	12.0	ns
RLSDATA[7:0]O	RLSCLKO ↑	CL = 50 pF	4.0	12.0	ns
RLSPARO	RLSCLKO ↑	CL = 50 pF	4.0	12.0	ns
Receive TOAC Signals					
RTOACSYNCO	RTOACCLKO ↑↓	CL = 15 pF	10.0	30.0	ns
RTOACDATAO	RTOACCLKO ↑↓	CL = 15 pF	10.0	30.0	ns
Serial Control Interface (SCI)					
INTN	ASYNC	NA	ASYNC	ASYNC	ns
JTAG and SCAN					
TDO	TCLK ↓	CL = 25 pF	3.0	20.0	ns

* Propagation delay skew, tPLH—tPHL, is ±200 ps.

Timing Characteristics (continued)

Operational Timing (continued)

A diagram of the digital system interface timing for setup and hold time input as well as propagation delay output specifications are shown in Figure 17. The transmit and receive low-speed bus interfaces are shown in Figure 18.

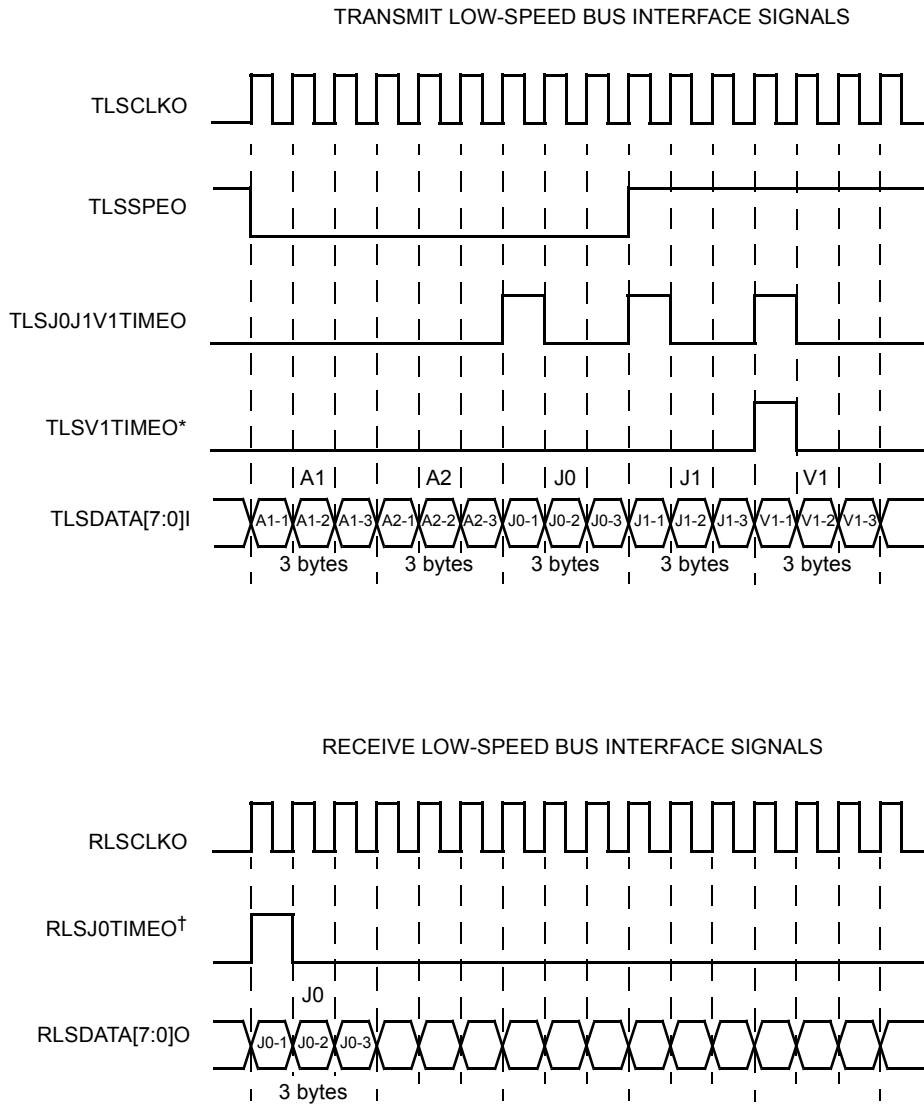


5-5342(F)r.1

Figure 17. Interface Data Timing

Timing Characteristics (continued)

Operational Timing (continued)



* V1 time occurs once every 500 μ s.
† J0 time occurs once per frame (125 μ s).

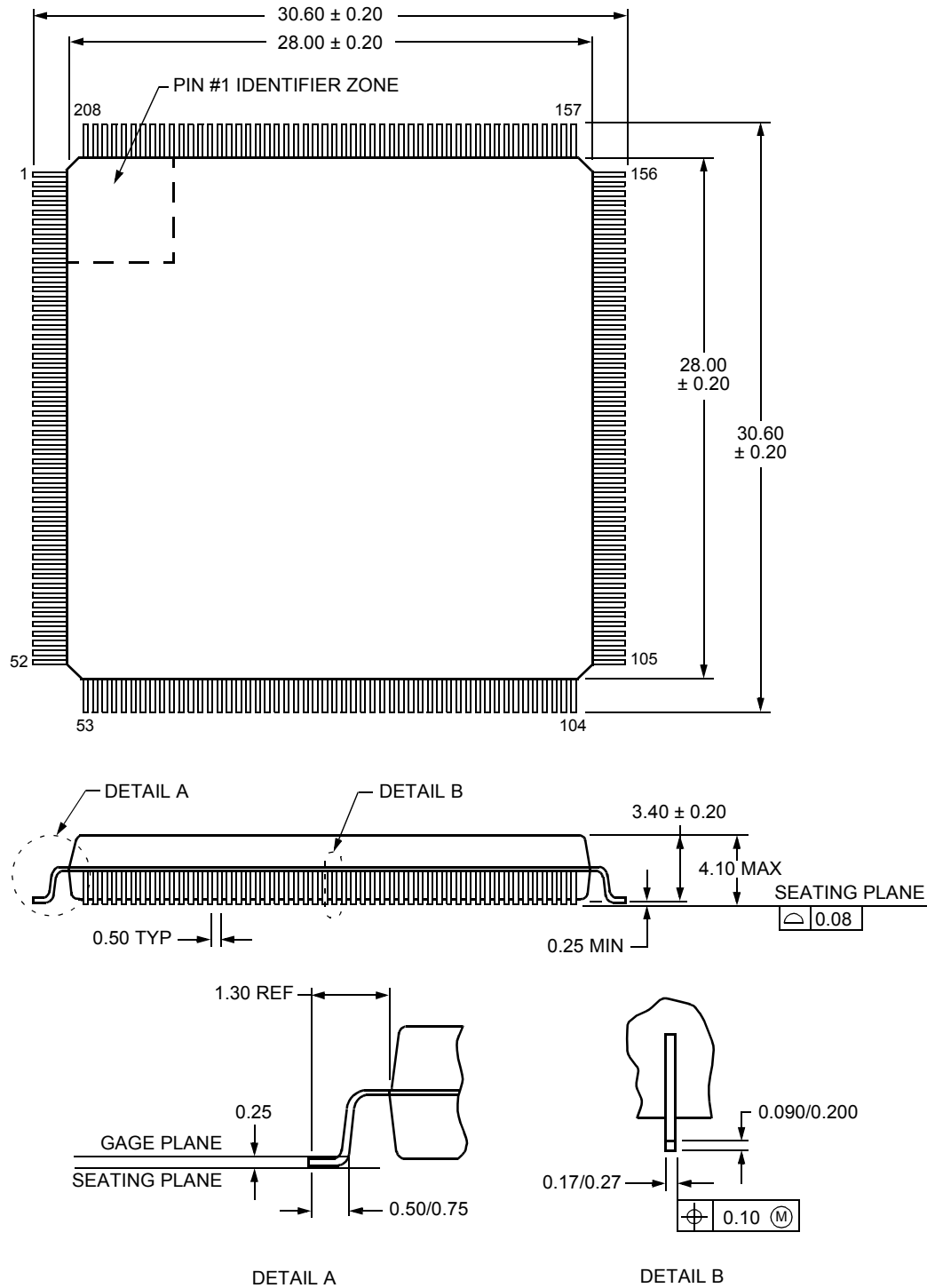
5-6255(F)r.5

Figure 18. Bus Interface Signals

Outline Diagram

208-Pin SQFP

Dimensions are in millimeters.



5-2196(F)1.3r.14

Ordering Information

Device Code	Package	Temperature	Comcode
TMUX03155	208-Pin SQFP	-40 °C to +85 °C	108126368-DB

DS01-194PDH Replaces DS00-213TIC to Incorporate the Following Updates

- Version 1 advisory (AY00-002SONT) information incorporated into the datasheet.
- Version ID register value changed to 3 (See Device Version and Device ID Number on page 29).
- For AU-4 mode, the B3 error count register (REI-P) mechanism was changed so that the transmit clock has enough time to sample the value for application on the outgoing G1[7:4] bits.
- The transitioning in the loss of pointer (LOP) state was fixed for the NDF condition.

Notes

For additional information, contact your Agere Systems Account Manager or the following:

INTERNET: <http://www.agere.com>

E-MAIL: docmaster@micro.lucent.com

N. AMERICA: Agere Systems Inc., 555 Union Boulevard, Room 30L-15P-BA, Allentown, PA 18109-3286

1-800-372-2447, FAX 610-712-4106 (In CANADA: **1-800-553-2448**, FAX 610-712-4106)

ASIA PACIFIC: Agere Systems Singapore Pte. Ltd., 77 Science Park Drive, #03-18 Cintech III, Singapore 118256

Tel. (65) 778 8833, FAX (65) 777 7495

CHINA: Agere Systems (Shanghai) Co., Ltd., 33/F Jin Mao Tower, 88 Century Boulevard Pudong, Shanghai 200121 PRC

Tel. (86) 21 50471212, FAX (86) 21 50472266

JAPAN: Agere Systems Japan Ltd., 7-18, Higashi-Gotanda 2-chome, Shinagawa-ku, Tokyo 141, Japan

Tel. (81) 3 5421 1600, FAX (81) 3 5421 1700

EUROPE: Data Requests: DATALINE: **Tel. (44) 7000 582 368**, FAX (44) 1189 328 148

Technical Inquiries: GERMANY: **(49) 89 95086 0** (Munich), UNITED KINGDOM: **(44) 1344 865 900** (Ascot),

FRANCE: **(33) 1 40 83 68 00** (Paris), SWEDEN: **(46) 8 594 607 00** (Stockholm), FINLAND: **(358) 9 3507670** (Helsinki),

ITALY: **(39) 02 6608131** (Milan), SPAIN: **(34) 1 807 1441** (Madrid)

Agere Systems Inc. reserves the right to make changes to the product(s) or information contained herein without notice. No liability is assumed as a result of their use or application.