

TMX AT03

SAW Bandpass Filter – DVB-C - RF
Preliminary Specification (Rev 1)

www.DataSheet4U.com

- ▣ Features..... P01
- ▣ Package Drawing & Pin out..... P01
- ▣ Technical Characteristics P02
- ▣ Matching Network P02
- ▣ Nominal Response..... P03
- ▣ Maximum Ratings..... P04
- ▣ Marking & Packaging P04

TMX AT03

SAW Bandpass Filter – DVB-C - RF

Preliminary Specification (Rev.1)- RF

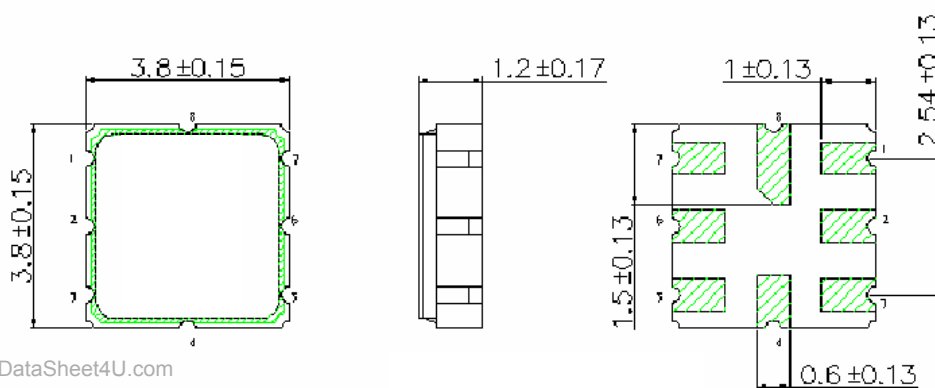
January 09th, 2006

Features

- ❑ RFSAW Filter for DVB-C
- ❑ 1090 MHz Center Frequency
- ❑ 12 MHz useable Passband
- ❑ 50 Ohms Balance Configuration
- ❑ Ceramic package for Surface Mounted Technology

Package Drawing & Pin out

The product is in conformance with the European RoHs Regulation 2002/95.



www.DataSheet4U.com

Pin Configuration

Input	1
Input return	2
Output	5
Output return	6
To be ground	3, 4, 7, 8

TMX AT03

SAW Bandpass Filter – DVB-C - RF

Preliminary Specification (Rev.1)- RF

January 09th, 2006

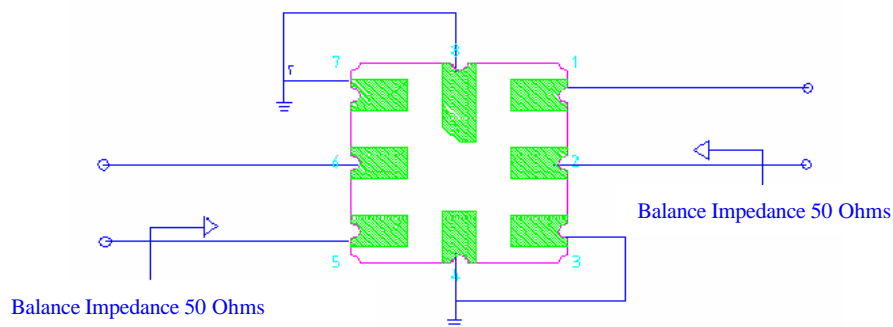
Technical Characteristics

Reference Temperature : +25°C

Electrical Parameters	Unit	Minimum	Typical ⁽¹⁾	Maximum
Source Impedance (balance)	Ohms	-	50	-
Load Impedance (balance)	Ohms	-	50	-
Center Frequency f_c	MHz	-	1090	-
Bandwidth	MHz	12	-	-
Absolute Attenuation				
500 MHz to 944 MHz	dB	45	50	-
944 MHz to 1051 MHz	dB	40	47	-
1051 MHz to 1061 MHz	dB	30	40	-
1170 MHz to 2000 MHz	dB	40	45	-
Insertion Loss within 1084 MHz ~ 1096 MHz	dB	-	3.9	5.2
Ripple within 1084 MHz ~ 1096 MHz	dB	-	0.6	1.5

Matching Network

www.DataSheet4U.com



TMX AT03

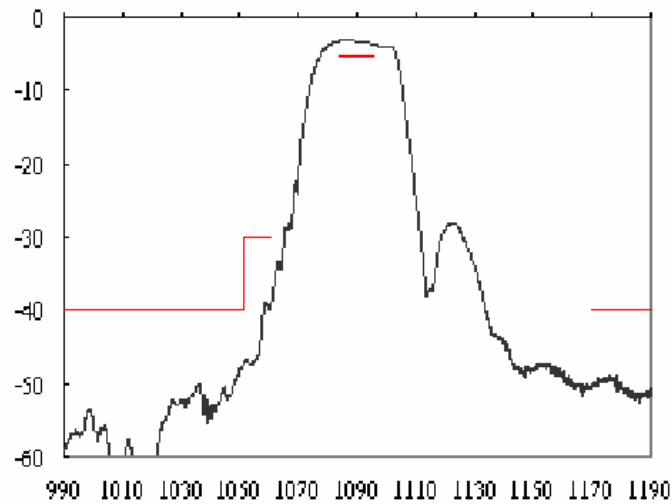
SAW Bandpass Filter – DVB-C - RF

Preliminary Specification (Rev.1)- RF

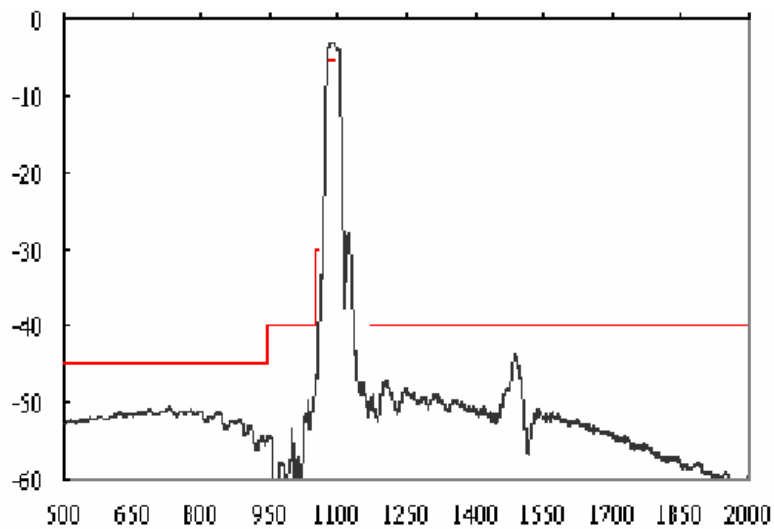
January 09th, 2006

Nominal Frequency Response

Frequency Response



Frequency Response



TMX AT03

SAW Bandpass Filter – DVB-C - RF

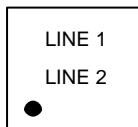
Preliminary Specification (Rev.1)- RF

January 09th, 2006

Maximum Ratings

Storage Temperature Range	°C	[-40°C ; +85°C]
Operable temperature Range	°C	[0°C ; +85°C]

Marking



Line 1: "NNNN" is the reference to Temex Part number with only the last 4 digits

Line 2: RYWWZZ is the date code as:

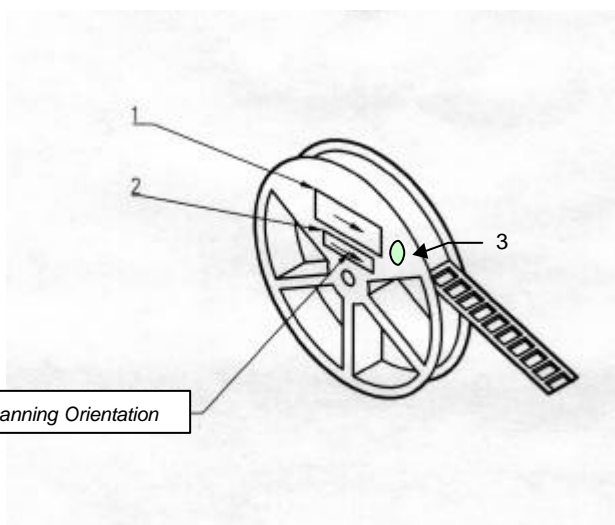
R: Partner identifier.

Y: last digit of the year.

WW: number of week in the year

ZZ: Lot number in the week (from AA to ZZ).

Packaging



- 1 – Temex Label
- 2 – ESD Prevention Label
- 3 – Pb Free Label